



OWNER'S MANUAL

V30

INSTALLATION, OPERATION, MAINTENANCE & PARTS

**NOTE: MANUAL including SPECIFICATIONS, subject to change without notice
All ratings specified are based on structural factors only,
not vehicle capacities or capabilities.**



8503 Hilltop Drive
Ooltewah, Tennessee 37363
Phone (423) 238-7227 • FAX (423) 238-7237

FORM NO. 0501429
05 / 04
PRICE \$25.00

LIMITED WARRANTY

MILLER INDUSTRIES TOWING EQUIPMENT INC., hereinafter referred to as MILLER, warrants to the original purchaser that each new MILLER wrecker or other MILLER products will be free from defects in material and workmanship for a period of twelve (12) months from date placed in service, but in no event shall such warranty period exceed twenty-four (24) months from date of manufacture by MILLER. The purchaser must promptly notify MILLER in writing of any failure in material or workmanship. In no event shall MILLER accept such notification later than twenty-four (24) months from date of delivery or twelve (12) months from date placed in service, whichever is earlier.

MILLER's obligation under this warranty, statutory or otherwise, is limited to the repair or replacement at the MILLER factory, or at a point designated by MILLER, of such part or parts as shall appear upon inspection by MILLER to be defective in material or workmanship. New or remanufactured parts will be used for any replacement at MILLER's option. This warranty is not transferable. This warranty does not obligate MILLER to bear the cost of labor or transportation charges in connection with the repair or replacement of any parts found to be defective, nor shall it apply to a product upon which repairs or alterations have been made unless authorized by MILLER.

EXCEPT AS EXPRESSLY SET FORTH IN THIS WARRANTY, MILLER MAKES NO OTHER WARRANTY, EXPRESS OR IMPLIED, AND HEREBY DISCLAIMS ALL OTHER WARRANTIES INCLUDING, BUT NOT LIMITED TO, THE IMPLIED WARRANTIES OF MERCHANTABILITY AND FITNESS FOR A PARTICULAR PURPOSE. MILLER shall in no event be liable for claimed downtime, claimed loss of profits or goodwill, or any other special, incidental, indirect, or consequential damages concerning or relating to any product or parts, whether based on negligence, strict liability, breach of contract, breach of warranty, misrepresentation or any other legal theory, regardless of whether the loss resulted from any general or particular requirement which MILLER knew or had reason to know about at the time of sale.

MILLER MAKES NO WARRANTY, EXPRESS OR IMPLIED, AS TO THE FINISHED PRODUCTS MANUFACTURED OR SUPPLIED BY ANOTHER MANUFACTURER AND SUPPLIED BY MILLER TO PURCHASER, including, but not limited to, any vehicle to which a MILLER product may be affixed or any accessories or wire rope, and MILLER EXPRESSLY DISCLAIMS ANY IMPLIED WARRANTIES OF MERCHANTABILITY OR FITNESS FOR A PARTICULAR PURPOSE AS TO SUCH EQUIPMENT OR PRODUCTS. This language shall in no way affect or diminish the rights of the purchaser to rely on such warranties as are extended by such manufacturers or suppliers. MILLER shall, to the extent permitted under applicable law, pass on to the purchaser such manufacturer's or seller's warranty.

MILLER, whose policy is one of continuous improvement, reserves the right to improve its products through changes in design or materials as it may deem desirable without being obligated to incorporate such changes in products previously sold. This warranty is not intended to cover or include the following items, which are set forth by way of example and not limitation:

- A. Normal deterioration of trim, paint, lettering, and appearance items due to wear or exposure to weather, road conditions, road treatments, etc.
- B. Any damage or defect due to accident, misuse, abuse, improper or unauthorized repairs, failure to provide reasonable and necessary maintenance, or uses for which the equipment was not designed or intended.
- C. Alterations or modifications that affect performance, operation or reliability.
- D. Normal maintenance parts including, but not limited to, wear pads, bushings, wire rope, mud flaps, fenderettes, light bulbs, hydraulic oil, filters, and tow sling belts.

IT IS EXPRESSLY UNDERSTOOD THAT MILLER MAKES NO IMPLIED WARRANTY THAT MILLER PRODUCTS SHALL BE FIT FOR THE PURPOSE OF LIFTING OR MOVING PEOPLE OR FOR ANY OTHER IMPROPER USE.



Miller Industries Towing Equipment Inc.
8503 Hilltop Drive
Ooltewah, Tennessee 37363

Telephone (423) 238-7227

SERIAL NUMBER

Section VI - PARTS

This Section is provided by the manufacturer for the purpose of ordering any component part of the **VULCAN V30** that may be required when part replacement is necessary. Be certain to use only original equipment replacement parts for warranty purposes as well as for keeping your **VULCAN V30** in its original state and optimum operating capacities.

When ordering replacement or spare parts be sure to provide the following information to the manufacturer's **Parts Department**.

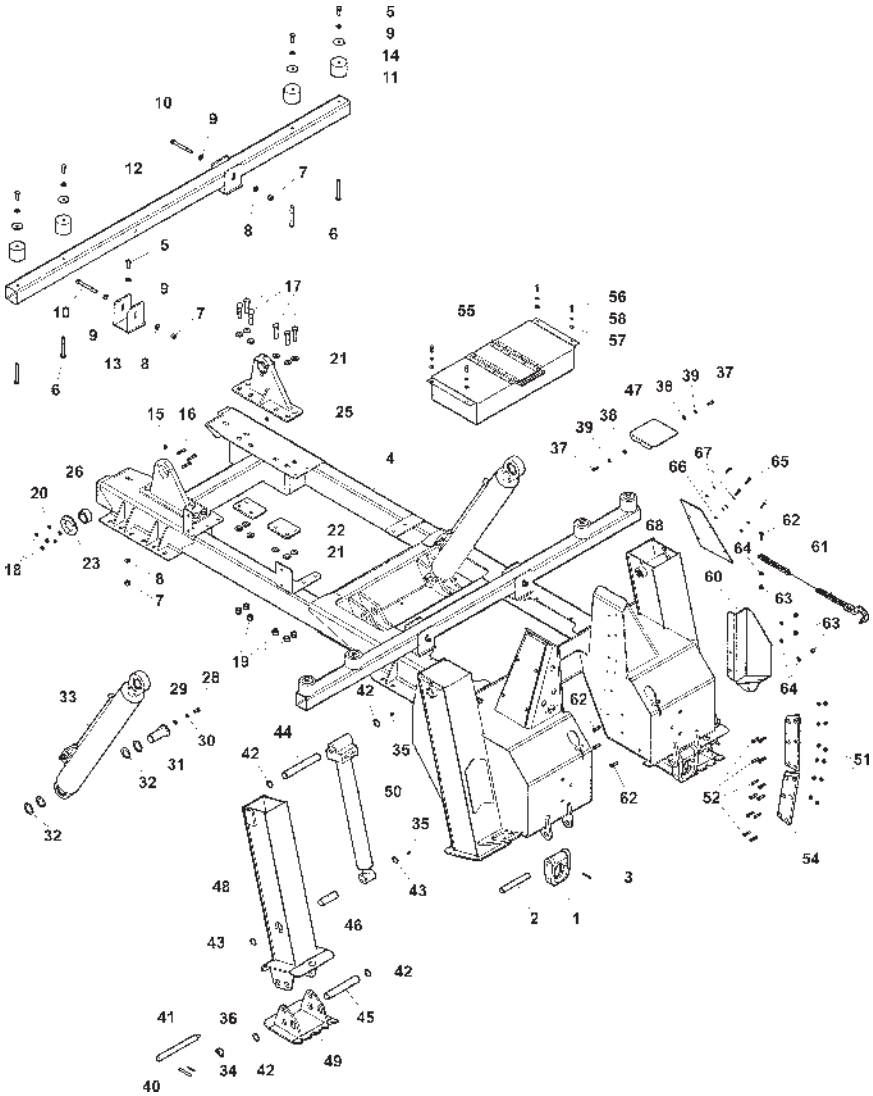
1. **Manual Number & Date of Publication**
2. **Manual Page Number**
3. **Page Title**
4. **Reference Number of Part Desired**
5. **Part Number**
6. **Part Description**
7. **Quantity of Part Desired**

Providing this information will help ensure that the correct parts will be delivered to you in an expedient manner without delay. Should additional information be required for repair or replacement of certain components, contact your Manufacturer Authorized Representative.

The Manufacturer reserves the right, without notice or obligation, to improve or modify their products, which may change the specifications, models and feature availability.

Section VI - PARTS (cont'd)

SUBFRAME ASSEMBLY



Section VI - PARTS (cont'd)

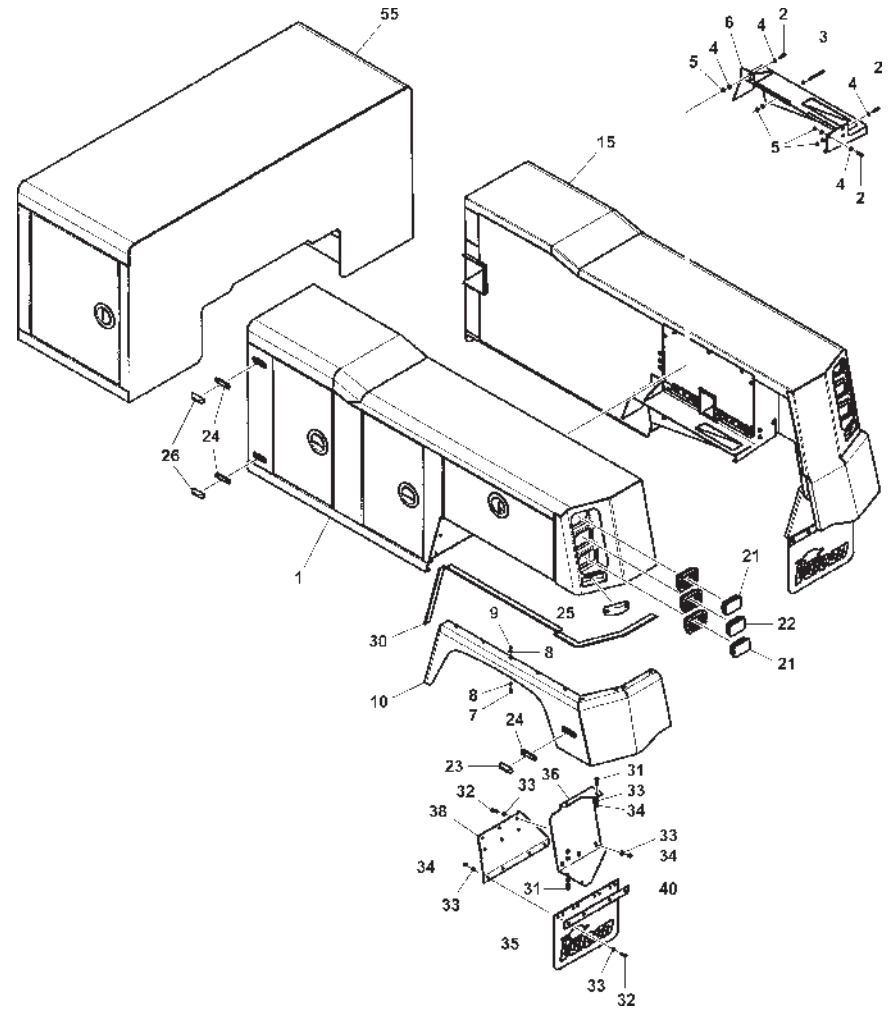
SUBFRAME ASSEMBLY

| REF. NO. | NO. REQ'D | PART NUMBER | DESCRIPTION |
|----------|-----------|-------------|---|
| -- | -- | 0902842 | KIT, 'D' RING |
| 1 | 2 | 0712380 | 'D' RING |
| 2 | 2 | BA0259 | PIN, 'D' RING |
| 3 | 2 | HD0106 | SPRING PIN, 1/4" X 1-3/4" |
| 4 | 1 | 3014-810000 | SUBFRAME WELDMENT |
| -- | -- | 3104-980011 | BODY INSTALLATION KIT |
| 5 | 12 | 0400177 | SCREW, 1/2"-13 X 1-1/4" HEX HD CAP GR5 |
| 6 | 8 | 0400237 | SCREW, 1/2"-13 X 4" HEX HD CAP GR5 |
| 7 | 8 | 0400408 | NUT, 1/2"-13 HEX NYLOK |
| 8 | 16 | 0400467 | WASHER, 1/2" SAE HARDENED |
| 9 | 8 | 0400491 | LOCKWASHER, 1/2" HELICAL |
| 10 | 4 | 9043830 | SCREW, 1/2"-13 X 4-1/2" HEX HD CAP |
| 11 | 8 | 9402970 | TOOLBOX MOUNTING PAD |
| 12 | 2 | 3012-791005 | TUBE, BOX MOUNTING |
| 13 | 4 | 3012-810300 | BRACKET, BODY TUBE |
| 14 | 8 | 0400498 | WASHER, 1/2" ID X 2" OD X .150 FLAT |
| -- | -- | 3014-991001 | BOOM PIVOT ASSEMBLY |
| 15 | 2 | 0301397 | GREASE FITTING, 90° |
| 16 | 6 | 9041108 | SCREW, 5/16" NC X 1-3/4" HEX HD CAP GR8 |
| 17 | 12 | 0400262 | SCREW, 5/8"-11 X 2-1/2" HEX HD CAP GR8 |
| 18 | 6 | 0400382 | NUT, 5/16"-18 HEX NYLOK |
| 19 | 12 | 0400421 | NUT, 5/8"-11 HEX NYLOK |
| 20 | 6 | 0400463 | WASHER, 5/16" FLAT |
| 21 | 24 | 0400506 | WASHER, 5/8" FLAT |
| 22 | 4 | 3012-710107 | PLATE, WASHER |
| 23 | 2 | 3012-780001 | RETAINING RING PLATE |
| 24 | 1 | 3012-810400 | PIVOT BLOCK WELDMENT, LH |
| 25 | 1 | 3012-810500 | PIVOT BLOCK WELDMENT, RH |
| 26 | 2 | 561-2502001 | BEARING, 2-1/2" SPHERICAL PLAIN |
| -- | -- | 3014-991004 | LIFT CYLINDER ASSEMBLY |
| 27 | 2 | 0300113 | GREASE FITTING, 1/4"-28 STRAIGHT |
| 28 | 2 | 0400141 | SCREW, 3/8"-16 X 7/8" HEX HD CAP GR5 |
| 29 | 8 | 0400479 | SHIM, 1-1/2" ID X 2-1/8" OD X 1/8" |
| 30 | 2 | 0400480 | WASHER, 3/8" FLAT |
| 31 | 2 | 0400482 | LOCKWASHER, 3/8" HELICAL |
| 32 | 2 | 3012-801000 | PIN WELDMENT, LIFT CYLINDER |
| 33 | 2 | 511-4000001 | CYLINDER, BOOM LIFT |
| -- | -- | 3014-991005 | JACK ASSEMBLY |
| 34 | 2 | HD0106 | SPRING PIN, 1/4" X 1-3/4" |
| 35 | 2 | 0300113 | GREASE FITTING, 1/4"-28 STRAIGHT |
| 36 | 2 | 0302474 | LYNCH PIN |
| 37 | 4 | 0400109 | SCREW, 5/16"-18 X 1" HEX HD CAP GR5 |

| REF. NO. | NO. REQ'D | PART NUMBER | DESCRIPTION |
|----------|-----------|-------------|---------------------------------------|
| 38 | 4 | 0400463 | WASHER, 5/16" FLAT |
| 39 | 4 | 0400464 | LOCKWASHER, 5/16" HELICAL |
| 40 | 2 | 0400568 | ROLL PIN, 3/8" X 3" |
| 41 | 2 | 0712504 | PIN, RETAINING |
| 42 | 8 | 9056125 | RETAINING RING, 1-1/4" NOM HEAVY DUTY |
| 43 | 4 | 9057125 | SNAP RING, 1-1/4" NOM INTERNAL |
| 44 | 2 | 810350002 | PIN, UPPER TILT CYLINDER |
| 45 | 2 | 1616030001 | PIN, EXTENSION CYLINDER |
| 46 | 2 | 3014-700001 | PIN, SPADE EXTENSION CYLINDER (ROD) |
| 47 | 2 | 3014-791003 | COVER, JACK |
| 48 | 2 | 3014-810600 | INNER SPADE WELDMENT |
| 49 | 2 | 3014-810700 | FLIPPER WELDMENT, SPADE |
| 50 | 2 | 511-2500001 | CYLINDER, JACK LEG |
| -- | -- | 3014-991006 | BOOM WEAR PAD ASSEMBLY |
| 51 | 24 | 0400382 | NUT, 5/16"-18 HEX NYLOK |
| 52 | 24 | 9043973 | SCREW, 5/16"-18 X 1-1/2" FL HD SKT |
| 53 | 2 | 806030005 | BOOM GUIDE PAD, BODY ASSY LH |
| 54 | 2 | 806030006 | BOOM GUIDE PAD, BODY ASSY RH |
| 55 | -- | 3014-991007 | REAR TRAY ASSEMBLY |
| -- | 24 | 0400004 | NUT, #8-32 HEX NYLOK SS |
| -- | 24 | 0400015 | SCREW, #8-32 X 1/2" FL HD PH MACH |
| 56 | 4 | 0400109 | SCREW, 5/16"-18 X 1" HEX HD CAP GR5 |
| -- | 4 | 0400446 | WELDNUT, 5/16"-18 |
| -- | 24 | 0400450 | WASHER, 10 SAE FLAT |
| 57 | 4 | 0400451 | WASHER, 1/4" FLAT |
| 58 | 4 | 0400464 | LOCKWASHER, 5/16" HELICAL |
| -- | 2 | 3012-791601 | PLATE, BOX DOOR |
| -- | 1 | 3012-810600 | REAR TRAY WELDMENT |
| -- | 2 | 3014-791005 | PIANO HINGE, 12" LONG |
| -- | -- | 3014-991009 | CHAIN BOX ASSEMBLY |
| 59 | 1 | 3012-791010 | PANEL, CHAIN BOX LH |
| 60 | 1 | 3012-791011 | PANEL, CHAIN BOX RH |
| -- | -- | 0903275 | SAFETY CHAIN KIT |
| 61 | 2 | 0307383 | CHAIN ASSEMBLY, 5/16" G7 X 12' |
| 62 | 8 | 0400122 | SCREW, 3/8"-16 X 1-1/4" HEX HD CAP |
| 63 | 8 | 0400392 | NUT, 3/8"-16 HEX NYLOK |
| 64 | 8 | 0400480 | WASHER, 3/8" FLAT |
| -- | -- | 3014-991010 | COVER PLATE ASSEMBLY |
| 65 | 8 | 0402021 | SCREW, 1/4"-20 X 1" HEX HD CAP SS |
| 66 | 8 | 0402110 | WASHER, 1/4" FLAT SS |
| 67 | 8 | 0402111 | LOCKWASHER, 1/4" HELICAL SS |
| 68 | 2 | 3014-791004 | COVER PLATE |

Section VI - PARTS (cont'd)

BODY ASSEMBLY



Section VI - PARTS (cont'd)

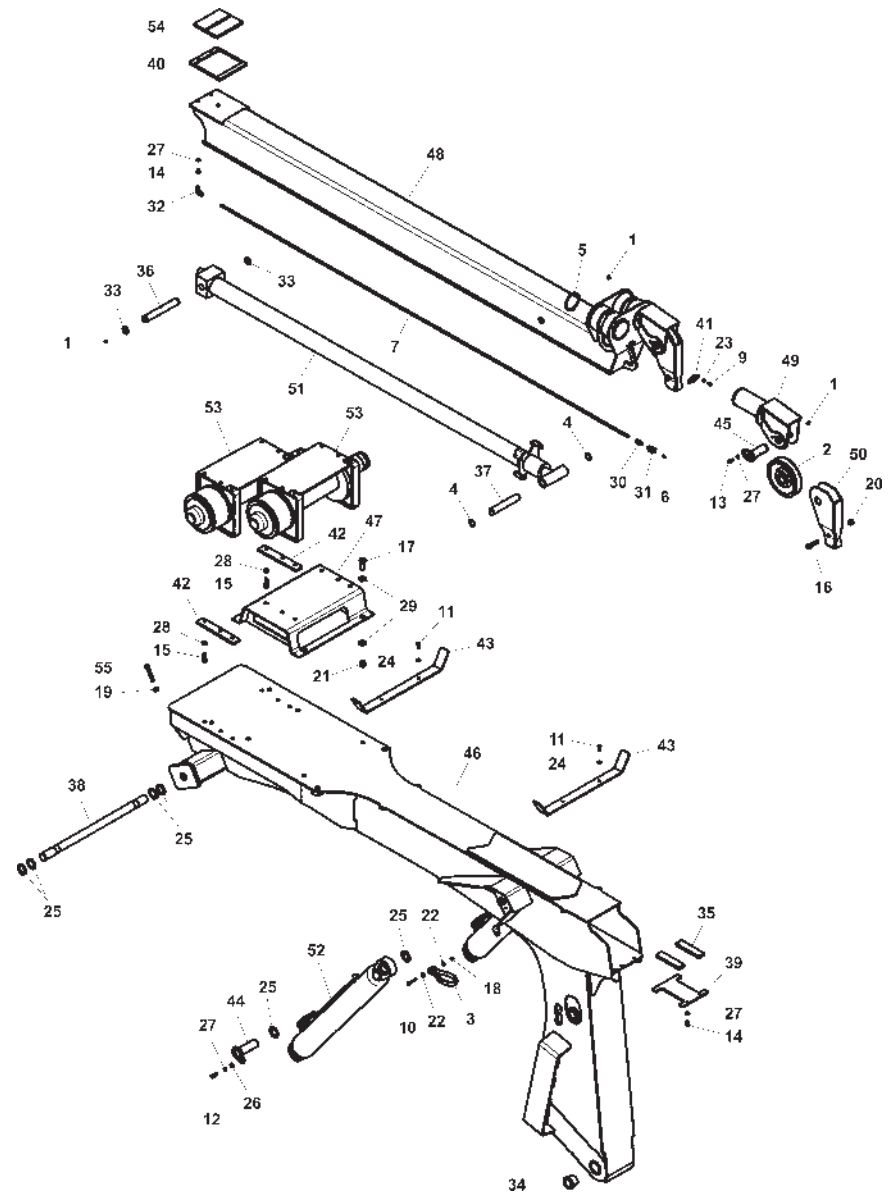
BODY ASSEMBLY

| REF. NO. | NO. REQ'D | PART NUMBER | DESCRIPTION |
|----------|-----------|-------------|---|
| 1 | 1 | 3014-974000 | LH BODY ASSEMBLY, SS |
| -- | -- | 3014-974400 | SPLASH GUARD ASSEMBLY, LH |
| 2 | 6 | 0402043 | SCREW, 3/8"-16 X 1-1/4" HEX HD CAP SS |
| 3 | 1 | 0402053 | SCREW, 3/8"-16 X 4-1/2" HEX HD CAP SS |
| 4 | 14 | 0402120 | WASHER, 3/8" FLAT 316 SS |
| 5 | 7 | 0402123 | NUT, 3/8"-16 HEX NYLOK SS |
| 6 | 1 | 3014-874400 | SPLASH GUARD WELDMENT, LH |
| -- | -- | 3014-974800 | FENDER KIT, LH |
| 7 | 12 | 0402021 | SCREW, 1/4"-20 X 1" HEX HD CAP SS |
| 8 | 24 | 0402110 | WASHER, 1/4" FLAT SS |
| 9 | 12 | 0402113 | NUT, 1/4"-20 HEX NYLOK SS |
| 10 | 1 | 3014-874800 | FENDERETTE PANEL WELDMENT, LH |
| -- | -- | 3014-974900 | FENDER KIT, RH |
| 11 | 12 | 0402021 | SCREW, 1/4"-20 X 1" HEX HD CAP SS |
| 12 | 24 | 0402110 | WASHER, 1/4" FLAT SS |
| 13 | 12 | 0402113 | NUT, 1/4"-20 HEX NYLOK SS |
| 14 | 1 | 3014-874900 | FENDERETTE PANEL WELDMENT, RH |
| 15 | 1 | 3014-975000 | RH BODY ASSEMBLY, SS |
| -- | -- | 3014-975400 | SPLASH GUARD ASSEMBLY, RH |
| 16 | 6 | 0402043 | SCREW, 3/8"-16 X 1-1/4" HEX HD CAP SS |
| 17 | 1 | 0402053 | SCREW, 3/8"-16 X 4-1/2" HEX HD CAP SS |
| 18 | 14 | 0402120 | WASHER, 3/8" FLAT 316 SS |
| 19 | 7 | 0402123 | NUT, 3/8"-16 HEX NYLOK SS |
| 20 | 1 | 3014-875400 | SPLASH GUARD WELDMENT, RH |
| -- | -- | 3014-980006 | LIGHT KIT, VULCAN V30 |
| 21 | 4 | 0307215 | LIGHT, RED 45 STT LED |
| 22 | 2 | 0307216 | LIGHT, AMBER 45 TURN LED |
| 23 | 2 | 0307217 | LIGHT, RED LED RECTANGULAR 4" X 1" |
| 24 | 6 | 0307218 | BASE MOUNT FOR LIGHT, BLACK |
| 25 | 2 | 0307219 | LIGHT, RED LED RECTANGULAR 2" X 6" |
| 26 | 4 | 0307365 | LIGHT, AMBER LED RECTANGULAR 4" X 1.18" |
| 27 | 6 | 9025049 | INTERIOR & COMPARTMENT LIGHT W/SWITCH |

| REF. NO. | NO. REQ'D | PART NUMBER | DESCRIPTION |
|----------|-----------|-------------|---------------------------------------|
| -- | -- | 3014-980016 | BODY RUBBER KIT, V30 |
| 28 | 16 FT. | 9032096 | DECORATIVE TRIM |
| 29 | 60 FT. | 9032157 | RUBBER SEAL |
| 30 | 16 FT. | 9061802 | RUBBER STRIP |
| -- | -- | 3014-980017 | MUD FLAP KIT, V30 |
| 31 | 4 | 0402043 | SCREW, 3/8"-16 X 1-1/4" HEX HD CAP SS |
| 32 | 14 | 0402044 | SCREW, 3/8"-16 X 1-1/2" HEX HD CAP SS |
| 33 | 40 | 0402120 | WASHER, 3/8" FLAT 316 SS |
| 34 | 22 | 0402123 | NUT, 3/8"-16 HEX NYLOK SS |
| 35 | 2 | 891000001 | MUD FLAP, RUBBER |
| 36 | 1 | 3014-797020 | MUD GUARD, LH |
| 37 | 1 | 3014-797021 | MUD GUARD, RH |
| 38 | 1 | 3014-797022 | MUD FLAP BRACKET, LH |
| 39 | 1 | 3014-797023 | MUD FLAP BRACKET, RH |
| 40 | 2 | 3014-797024 | BACK UP STRIP, MUD FLAP |
| -- | -- | 6012-070000 | 24" SS TUNNEL BOX ASSEMBLY |
| 41 | 20 | 0302433 | CABLE TIE |
| 42 | 1 | 0303385 | JUNCTION BOX, 10 POLE |
| 43 | 1 | 8909024 | 880 BOX KIT FOR SS TUNNEL BOX |
| 44 | 2 | 9025049 | INTERIOR & COMPARTMENT LIGHT W/SWITCH |
| 45 | 20 FT. | 9032157 | RUBBER SEAL |
| 46 | 2 | 526-3014010 | WIRING HARNESS, TUNNEL BOX LIGHT |
| 47 | 1 | 6012-970000 | 24" SS TUNNEL BOX |
| 48 | 4 | GV57 | RUBBER GROMMET |
| -- | -- | 6012-071000 | 36" SS TUNNEL BOX ASSEMBLY |
| 49 | 20 | 0302433 | CABLE TIE |
| 50 | 1 | 0303385 | JUNCTION BOX, 10 POLE |
| 51 | 1 | 8969025 | 896 SS SPACER BOX KIT, 36" TUNNEL |
| 52 | 2 | 9025049 | INTERIOR & COMPARTMENT LIGHT W/SWITCH |
| 53 | 24 FT. | 9032157 | RUBBER SEAL |
| 54 | 2 | 526-3014010 | WIRING HARNESS, TUNNEL BOX LIGHT |
| 55 | 1 | 6012-971000 | 36" SS TUNNEL BOX |
| 56 | 4 | GV57 | RUBBER GROMMET |

Section VI - PARTS (cont'd)

RECOVERY BOOM ASSEMBLY



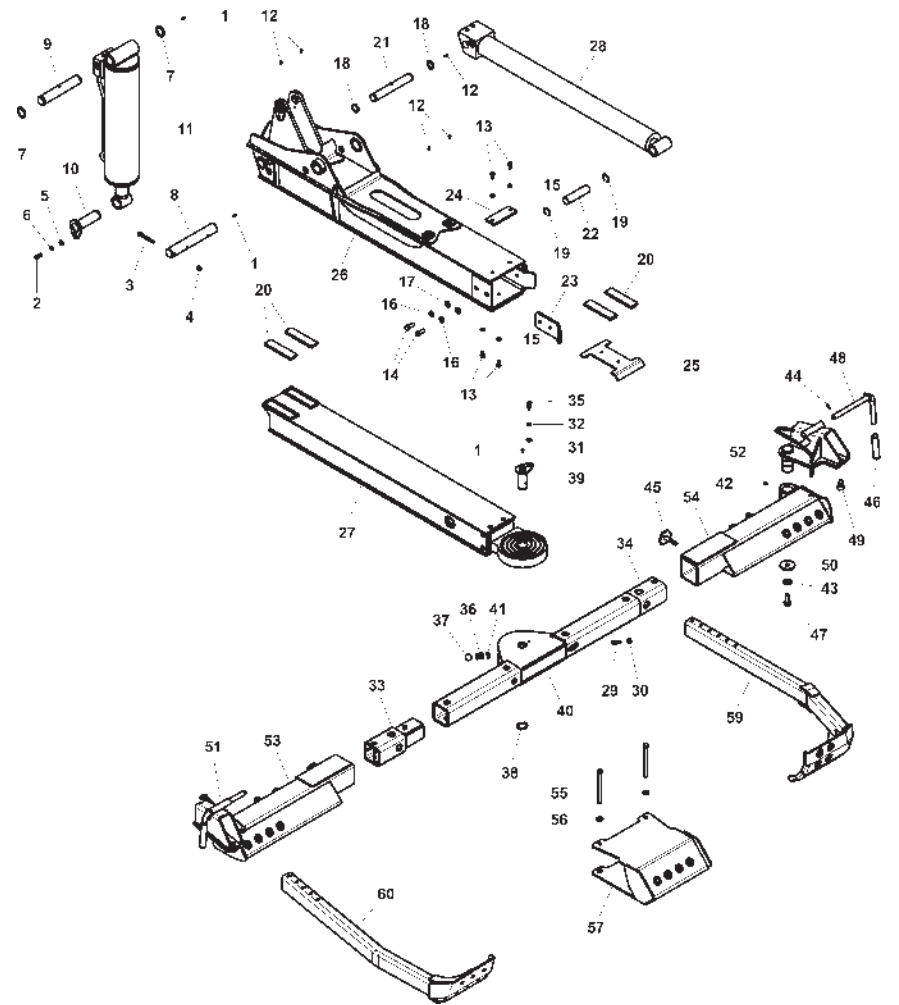
Section VI - PARTS (cont'd)

RECOVERY BOOM ASSEMBLY

| REF. NO. | NO. REQ'D | PART NUMBER | DESCRIPTION |
|----------|-----------|-------------|--|
| 1 | 5 | 0300113 | GREASE FITTING, 1/4"-28 STR |
| 2 | 2 | 0300626 | SHEAVE, 8" |
| 3 | 2 | 0301533 | TIE DOWN STRAP, 15" |
| 4 | 2 | 0301642 | SNAP RING, 1-1/4" |
| 5 | 2 | 0301814 | RETAINING RING, 3-1/2" EXTERNAL |
| 6 | 1 | 0301895 | GREASE FITTING, 1/8" STR |
| 7 | 9.2 FT. | 0301949 | SYNFLEX HOSE, 3/8" |
| 8 | 2 | 0302848 | WIRE ROPE, 1/2" X 150' |
| 9 | 2 | 0400059 | SCREW, 1/4"-20 X 5/8" HEX HD CAP |
| 10 | 2 | 0400078 | SCREW, 1/4"-20 X 2" HEX HD CAP |
| 11 | 4 | 0400103 | SCREW, 5/16"-18 X 1-1/4" HEX HD CAP |
| 12 | 2 | 0400126 | SCREW, 3/8"-16 X 1" HEX HD CAP |
| 13 | 2 | 0400147 | SCREW, 3/8"-16 X 5/8" HEX HD CAP |
| 14 | 4 | 0400149 | SCREW, 3/8"-24 X 5/8" HEX HD CAP |
| 15 | 12 | 0400181 | SCREW, 1/2"-13 X 1-1/2" HEX HD CAP |
| 16 | 2 | 0400184 | SCREW, 1/2"-13 X 2-1/4" HEX HD CAP |
| 17 | 4 | 0400260 | SCREW, 5/8"-11 X 2" HEX HD CAP |
| 18 | 2 | 0400367 | NUT, 1/4"-20 HEX NYLOK |
| 19 | 2 | 0400407 | NUT, 1/2"-13 HEX |
| 20 | 2 | 0400408 | NUT, 1/2"-13 HEX NYLOK |
| 21 | 4 | 0400421 | NUT, 5/8"-11 HEX NYLOK |
| 22 | 4 | 0400451 | WASHER, 1/4" FLAT |
| 23 | 2 | 0400452 | LOCKWASHER, 1/4" HELICAL |
| 24 | 4 | 0400463 | WASHER, 5/16" FLAT |
| 25 | 8 | 0400479 | WASHER, 1.510 I.D. X 2.125 O.D. X .125 |
| 26 | 2 | 0400480 | WASHER, 3/8" FLAT |
| 27 | 8 | 0400482 | LOCKWASHER, 3/8" HELICAL |
| 28 | 12 | 0400491 | LOCKWASHER, 1/2" HELICAL |

| REF. NO. | NO. REQ'D | PART NUMBER | DESCRIPTION |
|----------|-----------|-------------|--|
| 29 | 8 | 0400506 | WASHER, 1/2" FLAT |
| 30 | 1 | 9012549 | CONNECTOR, 3/8" TUBE X 1/8" NPT |
| 31 | 1 | 9012552 | BULKHEAD COUPLING, 1/8" |
| 32 | 1 | 9012584 | ELBOW, 1/4" NPT X 3/8" TUBE 90 |
| 33 | 2 | 9056125 | RETAINING RING, 1-1/4" NOM HEAVY DUTY |
| 34 | 2 | 806510001 | FLANGE BEARING |
| 35 | 2 | 880060002 | NYLATRON PAD |
| 36 | 1 | 897400001 | FRONT PIN |
| 37 | 1 | 897400002 | REAR PIN |
| 38 | 1 | 3012-700001 | PIN, MAIN BOOM PIVOT |
| 39 | 1 | 3012-792001 | PLATE, PAD CAGE |
| 40 | 1 | 3012-792002 | PLATE, PAD CAGE |
| 41 | 1 | 3012-793001 | LUBRICATOR MOUNTING PLATE |
| 42 | 4 | 3014-791001 | WASHER PLATE, 14K |
| 43 | 2 | 3014-792001 | CABLE WING |
| 44 | 2 | 3014-801000 | PIN WELDMENT |
| 45 | 2 | 3014-802000 | PIN WELDMENT |
| 46 | 1 | 3014-820000 | BOOM WELDMENT, MAIN RECOVERY |
| 47 | 1 | 3014-821000 | BRACKET WELDMENT |
| 48 | 1 | 3014-830000 | INNER BOOM WELDMENT |
| 49 | 2 | 3014-831000 | SHEAVE WELDMENT, 3014 |
| 50 | 2 | 3014-831100 | SWIVEL GUIDE WELDMENT |
| 51 | 1 | 511-3000001 | BOOM EXTENSION CYLINDER |
| 52 | 2 | 511-4000001 | CYLINDER, BOOM LIFT |
| 53 | 2 | 514-1501101 | WINCH, 15K DP |
| 54 | 1 | 535-0500001 | NYLATRON PAD |
| 55 | 2 | 541-5050219 | SCREW, 1/2"-13 X 3" HEX HD CAP FULL THRD |

Section VI - PARTS (cont'd) UNDERLIFT ASSEMBLY



Section VI - PARTS (cont'd)

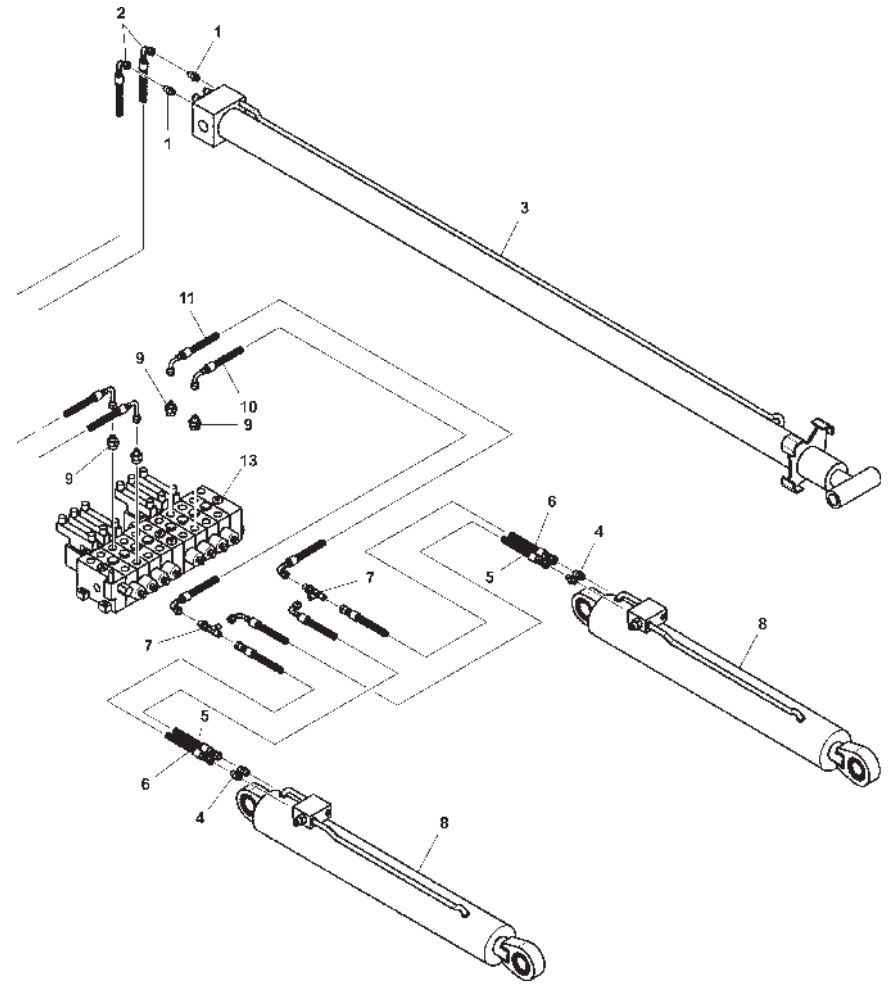
UNDERLIFT ASSEMBLY

| REF. NO. | NO. REQ'D | PART NUMBER | DESCRIPTION |
|----------|-----------|-------------|--|
| 1 | 5 | 0300113 | GREASE FITTING, 1/4"-28 STRAIGHT |
| 2 | 1 | 0400126 | SCREW, 3/8"-16 X 1" HEX HD CAP GR5 |
| 3 | 1 | 0400133 | SCREW, 3/8"-16 X 3" HEX HD CAP GR5 |
| 4 | 1 | 0400392 | NUT, 3/8"-16 HEX NYLOK |
| 5 | 1 | 0400480 | WASHER, 3/8" FLAT |
| 6 | 1 | 0400482 | LOCKWASHER, 3/8" HELICAL |
| 7 | 2 | 9056150 | RETAINING RING, 1-1/2" HEAVY DUTY |
| 8 | 1 | 3012-700002 | PIN, STINGER |
| 9 | 1 | 3014-700002 | PIN, FOLD CYLINDER BASE |
| 10 | 1 | 3014-801000 | PIN WELDMENT |
| 11 | 1 | 511-5000001 | CYLINDER, UNDERLIFT FOLD |
| -- | -- | 3014-940000 | UNDERLIFT BOOM ASSEMBLY |
| 12 | 5 | 0300113 | GREASE FITTING, 1/4"-28 STRAIGHT |
| 13 | 4 | 0400121 | SCREW, 3/8"-16 X 3/4" HEX HD CAP GR5 |
| 14 | 4 | 0400218 | SCREW, 1/2"-20 X 1-1/4" HEX HD CAP GR5 |
| 15 | 4 | 0400482 | LOCKWASHER, 3/8" HELICAL |
| 16 | 4 | 0400491 | LOCKWASHER, 1/2" HELICAL |
| 17 | 4 | 0400492 | WASHER, 1/2" FLAT |
| 18 | 2 | 9056125 | RETAINING RING, 1-1/4" NOM HEAVY DUTY |
| 19 | 2 | 9057125 | RETAINING RING, 1-1/4" NOM INT. |
| 20 | 4 | 896040002 | NYLATRON PAD |
| 21 | 1 | 897400001 | FRONT PIN |
| 22 | 1 | 3012-700003 | PIN, UNDERLIFT EXT (ROD) |
| 23 | 2 | 3012-794002 | PLATE, CROSSBAR POSITIONING |
| 24 | 1 | 3012-794003 | BAR, SPACER |
| 25 | 1 | 3012-794004 | PLATE, U/L PAD CAGE |
| 26 | 1 | 3014-840000 | U/L OUTER BOOM WELDMENT |
| 27 | 1 | 3014-850000 | U/L INNER BOOM WELDMENT |
| 28 | 1 | 511-3000002 | CYLINDER, UNDERLIFT EXTEND |
| -- | -- | 3014-960000 | CROSSBAR ASSEMBLY |
| 29 | 1 | 0400139 | SCREW, 3/8"-16 X 1-1/2" HEX SKT SET |
| 30 | 1 | 0400392 | NUT, 3/8"-16 HEX NYLOK |
| 31 | 1 | 0400480 | WASHER, 3/8" FLAT |
| 32 | 1 | 0400482 | LOCKWASHER, 3/8" HELICAL |

| REF. NO. | NO. REQ'D | PART NUMBER | DESCRIPTION |
|----------|-----------|-------------|--|
| -- | -- | 3014-960000 | CROSSBAR ASSEMBLY (cont'd) |
| 33 | 1 | 0907875 | CROSSBAR END ASSEMBLY, LH |
| 34 | 1 | 0907876 | CROSSBAR END ASSEMBLY, RH |
| 35 | 1 | 9041205 | SCREW, 3/8"-16 X 1" HEX HD CAP GR8 |
| 36 | 1 | 9047057 | DIE SPRING |
| 37 | 1 | 9052013 | BALL, 1" CHROME |
| 38 | 1 | 9056150 | RETAINING RING, 1-1/2" HEAVY DUTY |
| 39 | 1 | 3012-801100 | PIN WELDMENT, CROSSBAR PIVOT |
| 40 | 1 | 3012-860000 | CROSSBAR WELDMENT |
| 41 | 1 | 3014-796005 | SPACER, CROSSBAR DIE SPRING |
| -- | -- | 3014-960200 | CROSSBAR KIT, V30 |
| 42 | 2 | 0300113 | GREASE FITTING, 1/4"-28 STRAIGHT |
| 43 | 2 | 0400505 | WASHER, 5/8" FLAT |
| 44 | 2 | 0400559 | ROLL PIN, 3/16" X 1" |
| 45 | 2 | 8601900 | SLIDE LOCK HANDLE KNOB ASSEMBLY |
| 46 | 2 | 9032158 | RUBBER HAND GRIP |
| 47 | 2 | 9043950 | SCREW, 5/8"-11 X 1-1/2" HEX HD CAP GR8 |
| 48 | 2 | 880411600 | FRONT STOP PIN ASSEMBLY |
| 49 | 2 | 896380001 | SCOOP RETAINING PIN |
| 50 | 2 | 896380002 | SCOOP WASHER |
| 51 | 1 | 896380500 | SCOOP BRACKET WELDMENT, LH |
| 52 | 1 | 896387500 | SCOOP BRACKET WELDMENT, RH |
| 53 | 1 | 3014-860200 | OUTER CROSSTUBE, LT |
| 54 | 1 | 3014-860300 | OUTER CROSSTUBE, RT |
| -- | -- | 896001000 | CAR RETAINER KIT |
| 55 | 4 | 0400180 | SCREW, 1/2"-13 X 6" HEX HD CAP |
| 56 | 4 | 0400492 | WASHER, 1/2" FLAT |
| 57 | 2 | 896395100 | WHEEL SPACER WELDMENT |
| 58 | 1 | 896610000 | LIGHT WHEEL RETAINER, LH |
| 59 | 1 | 896617000 | LIGHT WHEEL RETAINER, RH |
| 60 | 1 | 896390000 | WHEEL RETAINER, LH |
| 61 | 1 | 896397000 | WHEEL RETAINER, RH |

Section VI - PARTS (cont'd)

RECOVERY BOOM HYDRAULICS



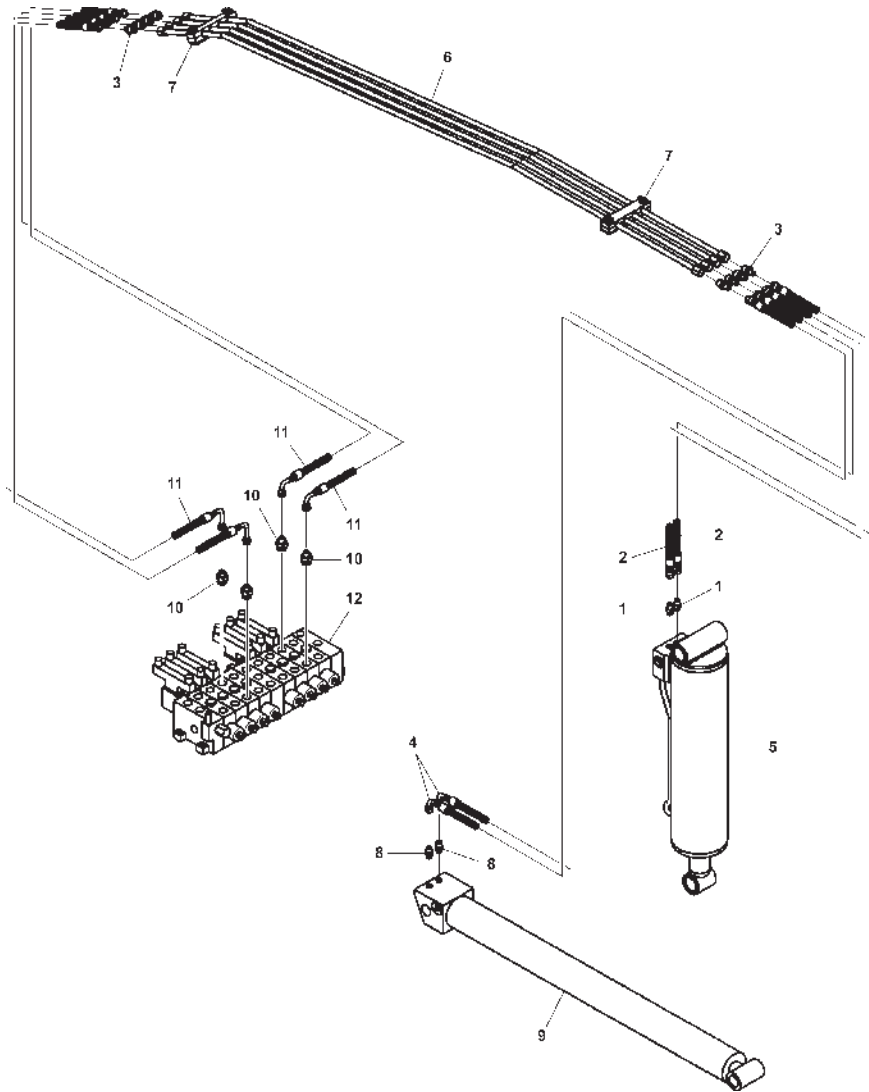
Section VI - PARTS (cont'd)

RECOVERY BOOM HYDRAULICS

| REF. NO. | NO. REQ'D | PART NUMBER | DESCRIPTION |
|-------------|--------------|----------------|--|
| -- | -- | 3014-920000 | RECOVERY BOOM ASSEMBLY |
| 1 | 2 | 0301522 | CONNECTOR, 6MJ-6MB |
| 2 | 2 | 0302605 | HOSE ASSEMBLY, 44" |
| 3 | 1 | 511-3000001 | BOOM EXTENSION CYLINDER |
| -- | -- | 3014-991004 | LIFT CYLINDER |
| 4 | 4 | 0301522 | CONNECTOR, 6MJ-6MB |
| 5 | 2 | 0301998 | HOSE ASSEMBLY, 24" |
| 6 | 2 | 0302000 | HOSE ASSEMBLY, 24" |
| 7 | 2 | 0302575 | BULKHEAD RUN TEE, 6MJ-6BLKHD-6MJ W/NUT |
| 8 | 2 | 511-4000001 | CYLINDER, BOOM LIFT |
| -- | -- | 3014-991015 | MANUAL VALVE ASSEMBLY |
| 9 | 4 | 0301778 | CONNECTOR, 6MJ-10MB |
| 10 | 1 | 0302604 | HOSE ASSEMBLY, 44" |
| 11 | 1 | 0302926 | HOSE ASSEMBLY, 29" |
| 12 | 1 | 3012-810700 | BULKHEAD BRACKET WELDMENT (N.S.) |
| 13 | 1 | 512-0883000 | VALVE, P70 |

Section VI - PARTS (cont'd)

UNDERLIFT HYDRAULICS



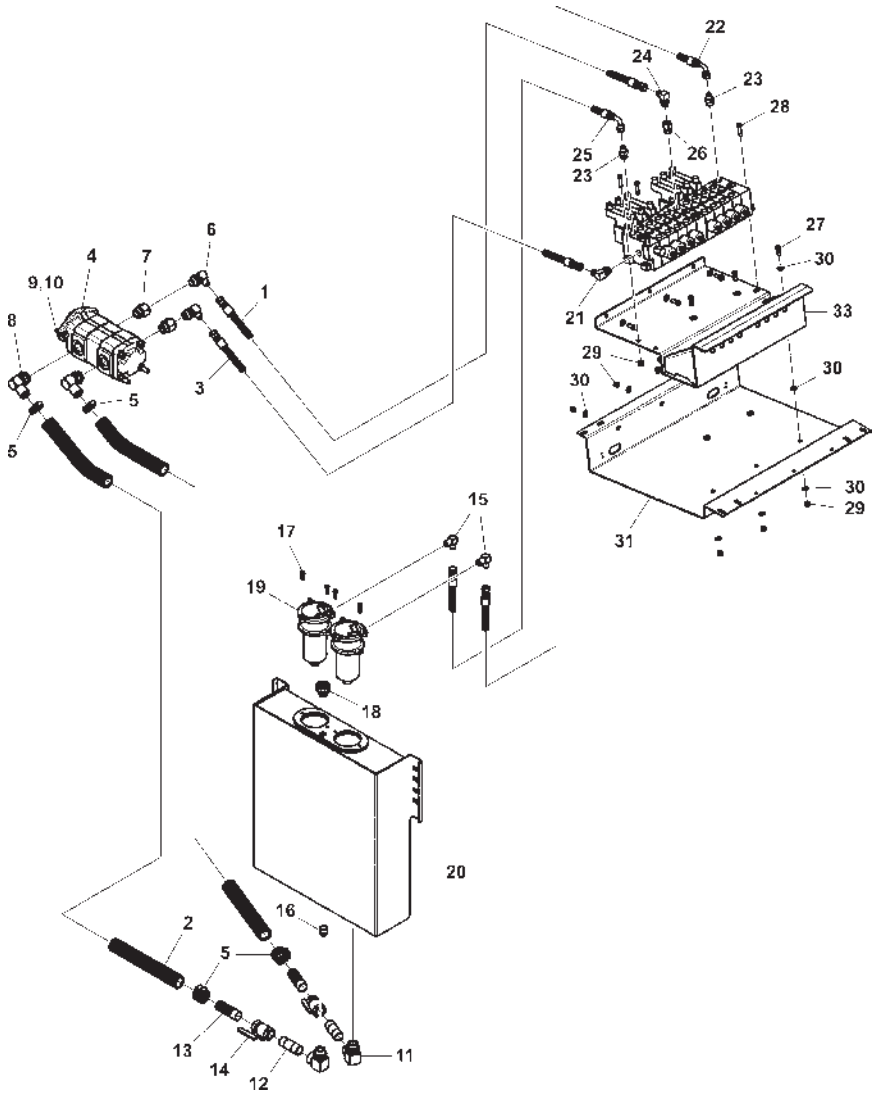
Section VI - PARTS (cont'd)

UNDERLIFT HYDRAULICS

| REF. NO. | NO. REQ'D | PART NUMBER | DESCRIPTION |
|-------------|--------------|----------------|----------------------------|
| -- | -- | 3014-920000 | RECOVERY BOOM ASSEMBLY |
| 1 | 2 | 0301522 | CONNECTOR, 6MJ-6MB |
| 2 | 2 | 0302035 | HOSE ASSEMBLY, 18" |
| 3 | 8 | 0302514 | ADAPTER, 8MJ-6MJ |
| 4 | 2 | 0303170 | HOSE ASSEMBLY, 75" |
| 5 | 1 | 511-5000001 | CYLINDER, UNDERLIFT TILT |
| 6 | 4 | 516-0807801 | TUBE ASSEMBLY, UNDER BOOM |
| 7 | 2 | 566-0840000 | CLAMP SET, 4-TUBE |
| -- | -- | 3014-940000 | UNDERLIFT BOOM ASSEMBLY |
| 8 | 2 | 0301522 | CONNECTOR, 6MJ-6MB |
| 9 | 1 | 511-3000002 | CYLINDER, UNDERLIFT EXTEND |
| -- | -- | 3014-991015 | MANUAL VALVE ASSEMBLY |
| 10 | 4 | 0301778 | CONNECTOR, 6MJ-10MB |
| 11 | 4 | 0302604 | HOSE ASSEMBLY, 44" |
| 12 | 1 | 512-0883000 | VALVE, P70 |

Section VI - PARTS (cont'd)

PUMP, VALVE & FILTER HYDRAULICS



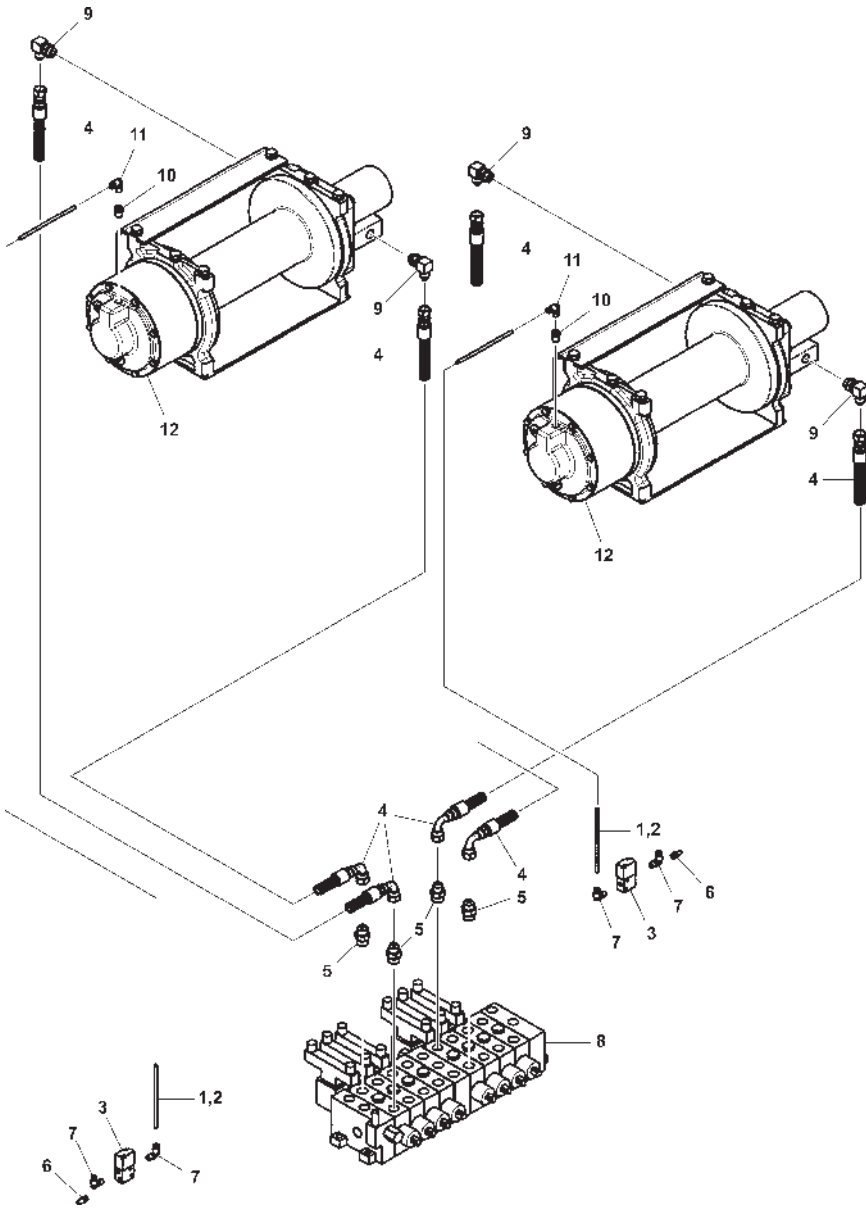
Section VI - PARTS (cont'd)

PUMP, VALVE & FILTER HYDRAULICS

| REF. NO. | NO. REQ'D | PART NUMBER | DESCRIPTION |
|-------------|--------------|----------------|--|
| 1 | 1 | 0301659 | HOSE ASSEMBLY, 150" |
| 2 | 28 FT. | 0302756 | SUCTION HOSE, 1-1/4" ID 100R4 |
| 3 | 1 | 0303762 | HOSE ASSEMBLY, 120" |
| 4 | 1 | 0303867 | PUMP, BI-ROTATIONAL |
| -- | -- | 0904545 | KIT, PUMP FITTINGS |
| 5 | 4 | 0300364 | HOSE CLAMP, 7/8" TO 2-3/4" |
| 6 | 2 | 0301547 | ELBOW, 8MJ-12MB90 |
| 7 | 2 | 0302906 | ADAPTER, 16MB-12FB |
| 8 | 2 | 0306539 | HOSE BARB, 20HOSE-16MB90 |
| 9 | 2 | 0400181 | SCREW, 1/2"-13 X 1-1/2" HEX HD CAP GR5 |
| 10 | 2 | 0400491 | LOCKWASHER, 1/2" HELICAL |
| -- | -- | 3014-991008 | KIT - HYD. TANK PARTS |
| 11 | 2 | 0300692 | ELBOW, 1 90 DEG STREET |
| 12 | 2 | 0302959 | NIPPLE, 1" NPT X 3" LG |
| 13 | 2 | 9012927 | NIPPLE, COMBINATION 1" NPT X 1-1/4" BARB |
| 14 | 2 | HC1338 | BALL VALVE, 1" BRASS |
| -- | -- | 3012-991011 | HYD. TANK ASSEMBLY |
| 15 | 2 | 0301371 | ELBOW, 8MJ-12MP90 |
| 16 | 1 | 0303155 | PIPE PLUG, 3/4" MAGNETIC |
| 17 | 4 | 0400109 | SCREW, 5/16"-18 X 1" HEX HD CAP |
| 18 | 1 | 9018131 | BREATHER CAP |
| 19 | 2 | 9018399 | IMMERSION FILTER ASSEMBLY |
| 20 | 1 | 3012-880100 | HYD. TANK WELDMENT |
| -- | -- | 3014-991015 | MANUAL VALVE ASSEMBLY |
| 21 | 1 | 0300052 | ELBOW, 8MJ-10MB90 |
| 22 | 1 | 0300787 | HOSE ASSEMBLY, 53" |
| 23 | 2 | 0301376 | CONNECTOR, 8MJ-10MB |
| 24 | 1 | 0301388 | ELBOW, 8MJ-8MB90 |
| 25 | 1 | 0302313 | HOSE ASSEMBLY, 25" |
| 26 | 1 | 0303176 | CONNECTOR, 10MB-8FB |
| 27 | 6 | 0400126 | SCREW, 3/8"-16 X 1" HEX HD CAP GR5 |
| 28 | 3 | 0400132 | SCREW, 3/8"-16 X 1-1/2" HEX HD CAP GR5 |
| 29 | 6 | 0400392 | NUT, 3/8"-16 NYLOK HEX |
| 30 | 15 | 0400480 | WASHER, 3/8" FLAT |
| 31 | 1 | 3014-791010 | PANEL - VALVE MOUNTING |
| 32 | 1 | 3014-791011 | PANEL - VALVE COVER (NOT SHOWN) |
| 33 | 1 | 3014-810200 | VALVE BRACKET WELDMENT |
| 34 | 1 | 512-0883000 | VALVE, P70 |

Section VI - PARTS (cont'd)

WINCH HYDRAULICS



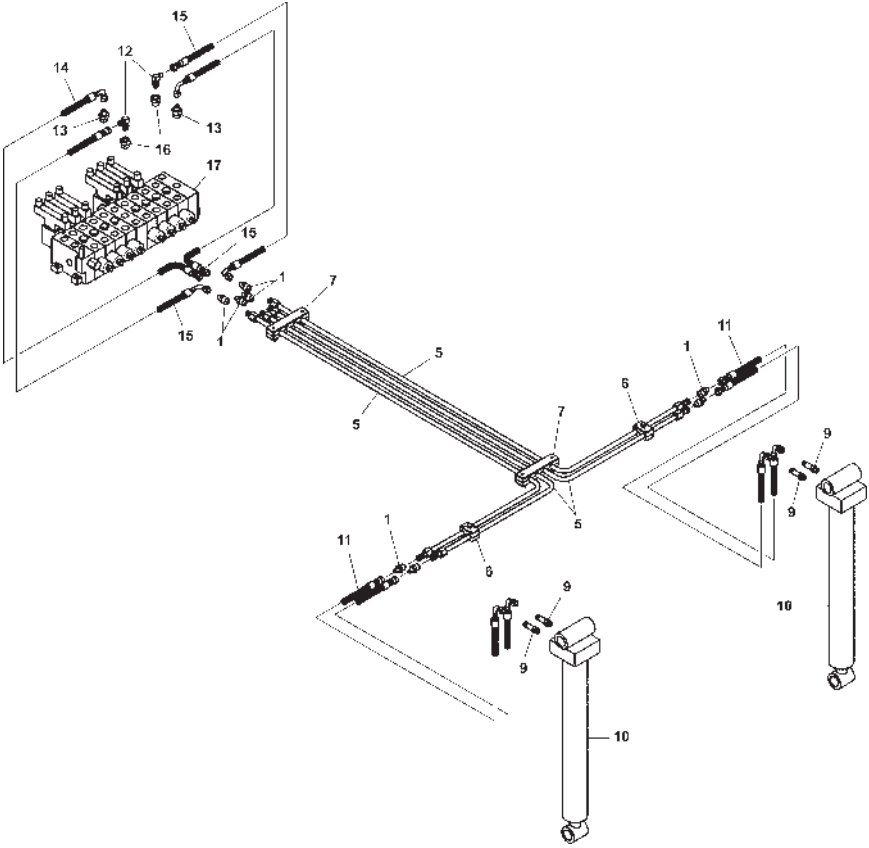
Section VI - PARTS (cont'd)

WINCH HYDRAULICS

| REF. NO. | NO. REQ'D | PART NUMBER | DESCRIPTION |
|-------------|--------------|----------------|------------------------------|
| 1 | 20 FT. | 0301577 | PLASTIC TUBING, 1/4" O.D. |
| 2 | 20 FT. | 0302495 | CONVOLUTED LOOM, 1/4" |
| -- | -- | 3014-991015 | MANUAL VALVE ASSEMBLY |
| 3 | 2 | 0300324 | VALVE, SOLENOID AIR CONTROL |
| 4 | 4 | 0301207 | HOSE ASSEMBLY, 72" |
| 5 | 4 | 0301376 | CONNECTOR, 8MJ-10MB |
| 6 | 2 | 0302677 | BREATHER VENT, 1/8 MP |
| 7 | 4 | 9010030 | ELBOW, 1/4T-1/8MPX |
| 8 | 1 | 512-0883000 | VALVE, P70 |
| -- | -- | 3014-920000 | RECOVERY BOOM ASSEMBLY 3014 |
| 9 | 4 | 0301388 | ELBOW, 8MJ-8MB90 |
| 10 | 2 | 0302340 | BUSHING, HEX (BRASS) 4MP-2FP |
| 11 | 2 | 9010030 | ELBOW, 1/4T-1/8MPX |
| 12 | 2 | 514-1501101 | WINCH, 15K DP 15J |

Section VI - PARTS (cont'd)

SPADE HYDRAULICS



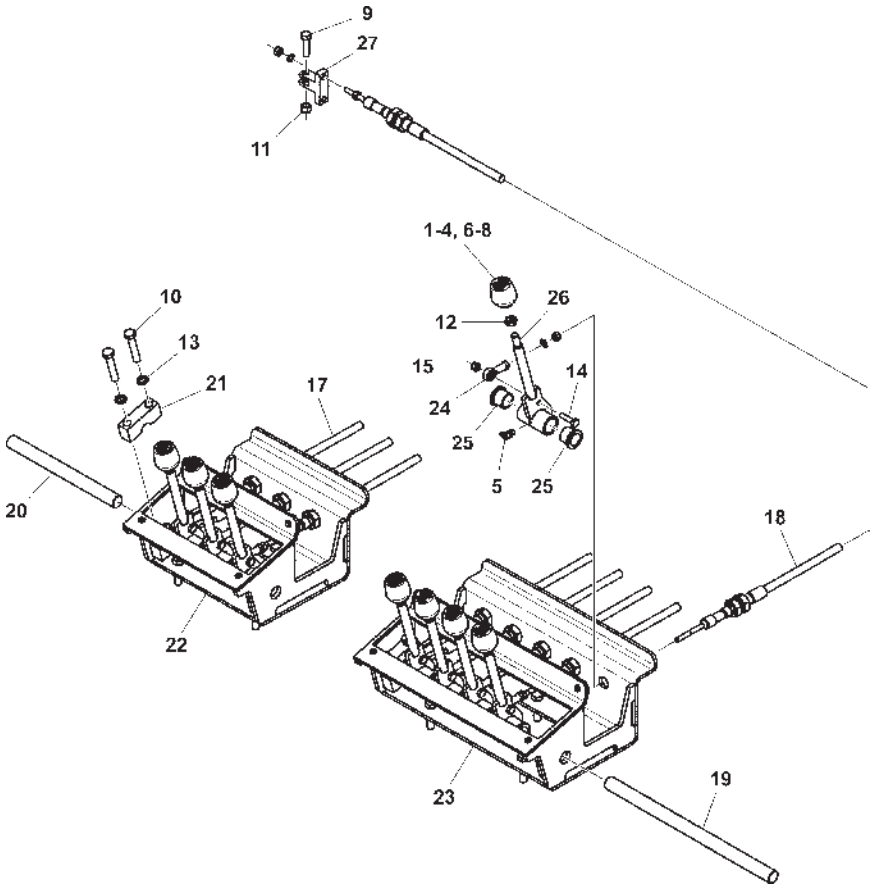
Section VI - PARTS (cont'd)

SPADE HYDRAULICS

| REF. NO. | NO. REQ'D | PART NUMBER | DESCRIPTION |
|-------------|--------------|----------------|---------------------------------------|
| -- | -- | 3014-991003 | HYDRAULIC TUBING ASSEMBLY |
| 1 | 8 | 0302514 | ADAPTER, 8MJ-6MJ |
| 2 | 3 | 0400070 | SCREW, 1/4"-20 X 1" HEX HD CAP (N.S.) |
| 3 | 3 | 0400367 | NUT, 1/4"-20 HEX NYLOK (N.S.) |
| 4 | 3 | 0400451 | WASHER, 1/4" FLAT (N.S.) |
| 5 | 4 | 516-0806700 | HYDRAULIC TUBE ASSEMBLY |
| 6 | 2 | 566-0820000 | 2-TUBE CLAMP SET, 1/2" |
| 7 | 2 | 566-0840000 | 4-TUBE CLAMP SET, 1/2" |
| 8 | 1 | 3012-810700 | BULKHEAD BRACKET WELDMENT (N.S.) |
| -- | -- | 3014-991005 | JACK ASSEMBLY |
| 9 | 4 | 0302510 | ADAPTER, 6MJ-6MBL |
| 10 | 2 | 511-2500001 | CYL, HYD - JACKLEG |
| 11 | 4 | 513-0601200 | HYD HOSE, 12" |
| -- | -- | 3014-991015 | MANUAL VALVE ASSEMBLY |
| 12 | 2 | 0301620 | ELBOW, 6MJ-6MB90 |
| 13 | 2 | 0301778 | CONNECTOR, 6MJ-10MB |
| 14 | 1 | 0302604 | HOSE ASSEMBLY, 44" |
| 15 | 3 | 0302926 | HOSE ASSEMBLY, 29" |
| 16 | 1 | 0303174 | CONNECTOR, 10MB-6FB |
| 17 | 1 | 512-0883000 | VALVE, P70 |

Section VI - PARTS (cont'd)

MANUAL CONTROL ASSEMBLY



Section VI - PARTS (cont'd)

MANUAL CONTROL ASSEMBLY

| REF. NO. | NO. REQ'D | PART NUMBER | DESCRIPTION |
|-------------|--------------|----------------|-------------------------------------|
| 1 | 2 | 0300834 | CONTROL KNOB, (IN/OUT) |
| 2 | 1 | 0300835 | CONTROL KNOB, BOOM (UP/DOWN) |
| 3 | 2 | 0300836 | CONTROL KNOB, JACK (UP/DOWN) |
| 4 | 1 | 0300837 | CONTROL KNOB, BOOM (IN/OUT) |
| 5 | 8 | 0302726 | GREASE FITTING, 1/4"-28 X 45° |
| 6 | 1 | 0302856 | CONTROL KNOB, TILT (UP/DOWN) |
| 7 | 1 | 0302917 | CONTROL KNOB, W/L EXTEND (IN/OUT) |
| 8 | 1 | 0303382 | CONTROL KNOB, FOLD (UP/DOWN) |
| 9 | 8 | 0400103 | SCREW, 5/16"-18 X 1-1/4" HEX HD CAP |
| 10 | 8 | 0400157 | SCREW, 3/8"-16 X 1-3/4" HEX HD CAP |
| 11 | 8 | 0400382 | NUT, 5/16"-18 HEX |
| 12 | 8 | 0400393 | NUT, 3/8"-16 HEX JAM |
| 13 | 8 | 0400482 | LOCKWASHER, 3/8" HELICAL |
| -- | -- | 3014-991016 | CONTROL ASSEMBLY, LH MANUAL |
| 14 | 8 | 0400070 | SCREW, 1/4"-20 X 1" HEX HD CAP |
| 15 | 8 | 0400367 | NUT, 1/4"-20 HEX NYLOK |
| 16 | 3 | 9024041 | SWITCH, MCGILL |
| 17 | 3 | 518-0107200 | CONTROL CABLE, 6 FT. |
| 18 | 5 | 518-0108400 | CONTROL CABLE, 7 FT. |
| 19 | 1 | 3014-700003 | CONTROLS PIN, 12-3/4" |
| 20 | 1 | 3014-700004 | CONTROLS PIN, 8-3/4" |
| 21 | 4 | 3014-798701 | RETAINING BLOCK |
| 22 | 1 | 3014-887100 | FRONT CONTROL BRACKET |
| 23 | 1 | 3014-887200 | REAR CONTROL BRACKET |
| 24 | 8 | HD0900 | BEARING ROD END, 1/4"-28 |
| -- | 8 | 3014-987300 | CONTROL HANDLE ASSEMBLY |
| 25 | 2 | 9053524 | FLANGED BEARING |
| 26 | 1 | 3014-887300 | CONTROL HANDLE WELDMENT |
| -- | -- | 3014-991015 | MANUAL VALVE ASSEMBLY |
| 27 | 8 | 3014-791012 | CLEVIS, DUAL CONTROL CABLE |

Section VI - PARTS (cont'd)

ELECTRIC CONTROL ASSEMBLY

| REF. NO. | NO. REQ'D | PART NUMBER | DESCRIPTION |
|-------------|--------------|----------------|-----------------------------------|
| -- | -- | 3014-980400 | CONTROL PANEL ASSEMBLY |
| 1 | 8 | 0400071 | SCREW, 1/4"-20 X 3/4" RD HD PH SS |
| 2 | 4 | 0400367 | NUT, 1/4"-20 HEX NYLOK |
| 3 | 4 | 0402021 | SCREW, 1/4"-20 X 1" HEX HD CAP SS |
| 4 | 8 | 0402110 | WASHER, 1/4" FLAT SS |
| 5 | 8 | 0402112 | NUT, 1/4"-20 HEX SS |
| 6 | 2 | 9024041 | SWITCH, MCGILL |
| 7 | 1 | 9033575 | DECAL, REMOTE |
| 8 | 1 | 3014-791015 | PANEL, INTERFACE BOX |
| 9 | 1 | 3014-797008 | CONTROL PANEL |
| 10 | 2 | 3014-797011 | JOYSTICK MOUNTING PLATE |
| 11 | 1 | 3014-797502 | ANGLE, RH SWITCH |
| 12 | 1 | 522-0112000 | SWITCH ASSEMBLY (12) |
| 13 | 2 | 522-0712000 | JOYSTICK CONTROL, 3014 |
| 14 | 1 | 536-0200000 | DECAL, UP-OUT |
| 15 | 1 | 536-0200001 | DECAL, IN-DOWN |
| 16 | 1 | 536-0200003 | DECAL, FRONT WINCH |
| 17 | 1 | 536-0200004 | DECAL, REAR WINCH |
| -- | -- | 3014-980020 | KIT, CONTROL WIRING ASSEMBLY |
| 18 | 4 | 0302380 | RELAY, SEALED & SKIRTED |
| 19 | 2 | 0307221 | JUNCTION BOX, 18 PIN |
| 20 | 8 | 0400072 | SCREW, 1/4"-20 X 1" RD HD PH |
| 21 | 8 | 0400367 | NUT, 1/4"-20 HEX NYLOK |
| 22 | 8 | 0400481 | LOCKWASHER, 3/8" EXT TOOTH |

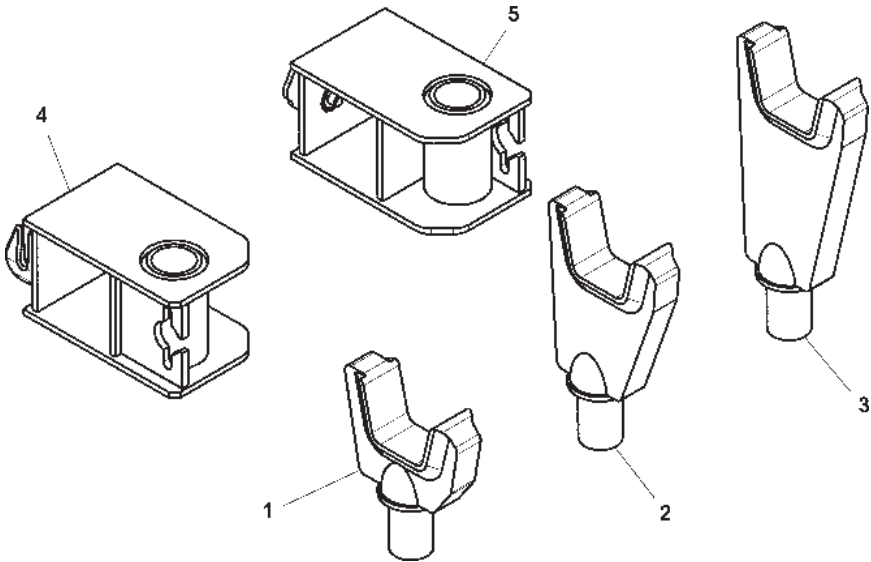
Section VI - PARTS (cont'd)

HYDRAULIC CYLINDERS

| REF. NO. | NO. REQ'D | PART NUMBER | DESCRIPTION |
|-------------|--------------|-------------------|---|
| 1 | 2 | 511-2500001 -- | CYLINDER, JACK LEG SEAL KIT, JACK LEG CYLINDER |
| 2 | 1 | 511-3000001 -- | CYLINDER, BOOM EXTENSION SEAL KIT, BOOM EXTENSION CYLINDER |
| 3 | 1 | 511-3000002 -- | CYLINDER, UNDERLIFT EXTEND SEAL KIT, UNDERLIFT EXTEND CYLINDER |
| 4 | 2 | 511-4000001 -- | CYLINDER, BOOM LIFT SEAL KIT, BOOM LIFT CYLINDER |
| 5 | 1 | 511-5000001 -- | CYLINDER, UNDERLIFT FOLD SEAL KIT, UNDERLIFT FOLD CYLINDER |

Section VI - PARTS (cont'd)

LIFT FORKS & HOLDERS



| REF. NO. | NO. REQ'D | PART NUMBER | DESCRIPTION |
|----------|-----------|-------------|---------------------------|
| 1 | 2 | 0200018 | FORK, SHORT (3" OPENING) |
| 2 | 2 | 0200020 | FORK, MEDIUM (3" OPENING) |
| 3 | 2 | 0200022 | FORK, LONG (3" OPENING) |
| 4 | 1 | 896410500 | FORK HOLDER WELDMENT, LH |
| 5 | 1 | 896417500 | FORK HOLDER WELDMENT, RH |

Section VI - PARTS (cont'd)

V30 PARTS SHIP KIT

| REF. NO. | NO. REQ'D | PART NUMBER | DESCRIPTION |
|-------------|--------------|----------------|--------------------------------|
| 1 | 1 | 0307146 | SAFETY WALK, 18" X 20' |
| 1 | 2 | 9033212 | NAME PLATE, VULCAN |
| -- | -- | 3014-980010 | BODY WIRING KIT, V30 SS |
| 1 | 25 | 0302433 | CABLE TIE |
| 2 | 1 | 0303385 | JUNCTION BOX, 10 POLE |
| 3 | 20 | 0307315 | BULLET CONNECTOR, 16-14 VINYL |
| 4 | 2 | 526-3014001 | WIRING HARNESS, BODY |
| 6 | 2 | 526-3014002 | WIRING HARNESS, FRONT MARKER |
| 5 | 2 | 526-3014003 | WIRING HARNESS, BODY EXTENSION |
| 7 | 2 | 526-3014004 | WIRING HARNESS, STOP & TURN |
| 6 | 2 | 526-3014005 | WIRING HARNESS, MARKER |
| 8 | 1 | 526-3014011 | SCHEMATIC, TOOLBOX WIRING |
| 8 | 1 | 526-3014012 | SCHEMATIC, TOOLBOX WIRING |
| 9 | 6 | GV57 | RUBBER GROMMET |
| -- | -- | 3014-980041 | CONTROL PANEL KIT, V30 MANUAL |
| | 10 FT. | 0301577 | PLASTIC TUBING, 1/4 O.D. BLACK |
| | 1 | 0302123 | NIPPLE, 4MP-4MP HEX |
| | 1 | 0303363 | AIR FILTER/REGULATOR COMBO |
| | 1 | 0303364 | AIR LUBRICATOR |
| | 1 | 0303365 | MOUNTING BRACKET |
| | 1 | 0307401 | UNION, CONVERSION 1/4" X 6MM |
| | 2 | 9011053 | CONNECTOR, 1/4" TUBE X 1/4" MP |
| 11 | 1 | 3014-798702 | PANEL, LH CONTROL |
| 12 | 1 | 526-3014013 | SCHEMATIC, LH CONTROL WIRING |
| 13 | 1 | 536-0200010 | DECAL, LH REAR LOWER |
| 14 | 1 | 536-0200011 | DECAL, LH REAR UPPER |
| 14 | 1 | 536-0200012 | DECAL, LH FRONT LOWER |
| 14 | 1 | 536-0200013 | DECAL, LH FRONT UPPER |
| 14 | 1 | 539-6000001 | PLASTIC TUBING, AIR LINE 6 MM |
| | 1 | HA0132 | GAUGE, 0-160 PSI |

Section VI - PARTS (cont'd)

3016 COMMON PARTS SHIP KIT

| REF. NO. | NO. REQ'D | PART NUMBER | DESCRIPTION |
|-------------|--------------|----------------|---------------------------------------|
| -- | -- | 3014-980014 | SHIP KIT, 3014 COMMON PARTS |
| 1 | 1 | 0300076 | LICENSE PLATE BRACKET |
| 2 | 3 | 0300132 | CABLE TIE, 15-1/4" BLACK |
| 3 | 1 | 0300273 | LICENSE PLATE ILLUMINATOR |
| 4 | 1 | 0300442 | LIGHT, 3 BAR |
| 5 | 2 | 0301533 | TIE DOWN STRAP, 15" |
| 6 | 2 | 0301958 | SKUFF PAD, SAFETY CHAIN |
| 7 | 25 | 0302433 | CABLE TIE |
| 8 | 2 | 0500241 | DECAL, SAFETY CHAIN WARNING |
| 9 | 1 | 0500686 | DECAL, RETRACT CAUTION |
| 1 | 1 | 0501155 | DECAL, DANGER WHEEL LIFT ASSEMBLY |
| -- | -- | 0900082 | HOSE MOUNTING HARDWARE KIT |
| 11 | 6 | 0300132 | CABLE TIE, 15-1/4" BLACK |
| 12 | 2 | 0300134 | CLAMP, 1" HOSE INSULATED |
| 13 | 3 | 0300188 | CLAMP, 1-1/2" HOSE |
| 14 | 5 | 0400063 | SCREW, 1/4"-20 X 1-1/2" RD HD SLOTTED |
| 15 | 5 | 0400366 | NUT, 1/4"-20 HEX |
| 16 | 10 | 0400451 | WASHER, 1/4" FLAT |
| 17 | 5 | 0400452 | LOCKWASHER, 1/4" HELICAL |
| -- | -- | 0900174 | DASH MOUNT CABLECN HARDWARE KIT |
| 18 | 2 | 0400061 | SCREW, 1/4"-20 X 3/4" MACH |
| 19 | 2 | 0400366 | NUT, 1/4"-20 HEX |
| 20 | 2 | 0400452 | LOCKWASHER, 1/4" HELICAL |
| 21 | 1 | 0702227 | SWITCH PANEL, MASTER ON/OFF |
| -- | -- | 0903069 | BACK UP ALARM KIT |
| 22 | 2 FT. | 0300077 | WIRE, 16 GA RED |
| 23 | 6 | 0300153 | CONNECTOR, WIRE |
| 24 | .25 | 0301812 | HEAT SHRINK TUBE, 1/4" |
| 25 | 1 | 0303061 | BACK UP ALARM |
| 26 | 2 | 0400057 | SCREW, 1/4"-20 X 1-1/4" HEX HD CAP |
| 27 | 2 | 0400367 | NUT, 1/4"-20 HEX NYLOK |
| 28 | 1 | 0500676 | INSTALL. INSTRUCTION, BACK UP ALARM |

Section VI - PARTS (cont'd)

3016 COMMON PARTS SHIP KIT (cont'd)

| REF. NO. | NO. REQ'D | PART NUMBER | DESCRIPTION |
|-------------|--------------|----------------|------------------------------------|
| 29 | 2 | 9035037 | PLASTIC PLUG, 2-3/4" |
| -- | -- | 3014-980009 | CHASSIS INSTALLATION KIT |
| 30 | 22 | 0400274 | SCREW, 5/8"-11 X 2" HEX HD CAP |
| 31 | 20 | 0400416 | NUT, 1/2"-13 HEX NYLOK |
| 32 | 22 | 0400426 | NUT, 5/8"-11 HEX NYLOK |
| 33 | 40 | 0400497 | WASHER, 1/2" FLAT |
| 34 | 44 | 0400502 | WASHER, 5/8" EX THK FLAT |
| 35 | 1 | 0501421 | CHASSIS INSTALLATION SHEET |
| 36 | 2 | 3012-780005 | MOUNTING ANGLE, CENTER BODY |
| 37 | 2 | 3012-880200 | FRONT MOUNT |
| 38 | 2 | 3012-880300 | REAR MOUNTING BRACKET, FORD |
| 39 | 2 | 3012-880400 | REAR MOUNTING BRACKET, STERLING |
| 40 | 20 | 541-5080016 | SCREW, 1/2"-13 X 2-1/4" HEX HD CAP |
| -- | -- | 3014-980011 | BODY INSTALLATION KIT |
| 41 | 8 | 0400177 | SCREW, 1/2"-13 X 1-1/4" HEX HD CAP |
| 42 | 8 | 0400237 | SCREW, 1/2"-13 X 4" HEX HD CAP |
| 43 | 12 | 0400408 | NUT, 1/2"-13 HEX NYLOK |
| 44 | 16 | 0400467 | WASHER, 1/2" FLAT |
| 45 | 20 | 0400491 | LOCKWASHER, 1/2" HELICAL |
| 46 | 8 | 0400497 | WASHER, 1/2" ID X 2" OD X .150 |
| 47 | 4 | 9043830 | SCREW, 1/2"-13 X 4-1/2" HEX HD CAP |
| 48 | 8 | 9402970 | TOOLBOX MOUNTING PAD |
| 49 | 2 | 3012-791005 | BOX MOUNTING TUBE |
| 50 | 4 | 3012-810300 | BRACKET, BODY TUBE |



8503 Hilltop Drive • Ooltewah, Tennessee 37363 • (423) 238-7227
www.millerind.com