



# OWNER'S MANUAL MODEL V-24

## PARTS

**NOTE: MANUAL including SPECIFICATIONS, subject to change without notice  
All ratings specified are based on structural factors only,  
not vehicle capacities or capabilities.**



Miller Industries Towing Equipment Inc.  
8503 Hilltop Drive  
Ooltewah, Tennessee 37363  
Phone (423) 238-7227 • FAX (423) 238-7237

FORM NO. 0501735  
09 / 2009  
PRICE \$25.00

## LIMITED WARRANTY

MILLER INDUSTRIES TOWING EQUIPMENT INC., hereinafter referred to as MILLER, warrants to the original purchaser that each new MILLER wrecker or other MILLER products will be free from defects in material and workmanship for a period of twelve (12) months from date placed in service, but in no event shall such warranty period exceed twenty-four (24) months from date of manufacture by MILLER. The purchaser must promptly notify MILLER in writing of any failure in material or workmanship. In no event shall MILLER accept such notification later than twenty-four (24) months from date of delivery or twelve (12) months from date placed in service, whichever is earlier.

MILLER's obligation under this warranty, statutory or otherwise, is limited to the repair or replacement at the MILLER factory, or at a point designated by MILLER, of such part or parts as shall appear upon inspection by MILLER to be defective in material or workmanship. New or remanufactured parts will be used for any replacement at MILLER's option. This warranty is not transferable. This warranty does not obligate MILLER to bear the cost of labor or transportation charges in connection with the repair or replacement of any parts found to be defective, nor shall it apply to a product upon which repairs or alterations have been made unless authorized by MILLER.

EXCEPT AS EXPRESSLY SET FORTH IN THIS WARRANTY, MILLER MAKES NO OTHER WARRANTY, EXPRESS OR IMPLIED, AND HEREBY DISCLAIMS ALL OTHER WARRANTIES INCLUDING, BUT NOT LIMITED TO, THE IMPLIED WARRANTIES OF MERCHANTABILITY AND FITNESS FOR A PARTICULAR PURPOSE. MILLER shall in no event be liable for claimed downtime, claimed loss of profits or goodwill, or any other special, incidental, indirect, or consequential damages concerning or relating to any product or parts, whether based on negligence, strict liability, breach of contract, breach of warranty, misrepresentation or any other legal theory, regardless of whether the loss resulted from any general or particular requirement which MILLER knew or had reason to know about at the time of sale.

MILLER MAKES NO WARRANTY, EXPRESS OR IMPLIED, AS TO THE FINISHED PRODUCTS MANUFACTURED OR SUPPLIED BY ANOTHER MANUFACTURER AND SUPPLIED BY MILLER TO PURCHASER, including, but not limited to, any vehicle to which a MILLER product may be affixed or any accessories or wire rope, and MILLER EXPRESSLY DISCLAIMS ANY IMPLIED WARRANTIES OF MERCHANTABILITY OR FITNESS FOR A PARTICULAR PURPOSE AS TO SUCH EQUIPMENT OR PRODUCTS. This language shall in no way affect or diminish the rights of the purchaser to rely on such warranties as are extended by such manufacturers or suppliers. MILLER shall, to the extent permitted under applicable law, pass on to the purchaser such manufacturer's or seller's warranty.

MILLER, whose policy is one of continuous improvement, reserves the right to improve its products through changes in design or materials as it may deem desirable without being obligated to incorporate such changes in products previously sold. This warranty is not intended to cover or include the following items, which are set forth by way of example and not limitation:

- A. Normal deterioration of trim, paint, lettering, and appearance items due to wear or exposure to weather, road conditions, road treatments, etc.
- B. Any damage or defect due to accident, misuse, abuse, improper or unauthorized repairs, failure to provide reasonable and necessary maintenance, or uses for which the equipment was not designed or intended.
- C. Alterations or modifications that affect performance, operation or reliability.
- D. Normal maintenance parts including, but not limited to, wear pads, bushings, wire rope, mud flaps, fenderettes, light bulbs, hydraulic oil, filters, and tow sling belts.

**IT IS EXPRESSLY UNDERSTOOD THAT MILLER MAKES NO IMPLIED WARRANTY THAT MILLER PRODUCTS SHALL BE FIT FOR THE PURPOSE OF LIFTING OR MOVING PEOPLE OR FOR ANY OTHER IMPROPER USE.**



Miller Industries Towing Equipment Inc.  
8503 Hilltop Drive  
Ooltewah, Tennessee 37363

**SERIAL NUMBER**

Telephone (423) 238-4171

## **OWNER, USER AND OPERATOR:**

**We appreciate your choice of our wrecker for your application. Our number one priority is user safety which is best achieved by our joint efforts. We feel that you can make a major contribution to safety if you, as the equipment owner and operator:**

- 1. Comply with Federal, State, and Local Regulations.**
- 2. Read, Understand, and Follow the Instructions in this Manual.**
- 3. Use Good, Safe Work Practices in a Common Sense Way.**
- 4. Only have Authorized and Trained Operators running the Wrecker.**

# TABLE OF CONTENTS

## Section I - PARTS

SUBFRAME ASSEMBLY . . . . .	I-2 thru I-5
BODY ASSEMBLY . . . . .	I-6 thru I-9
BOOM ASSEMBLY . . . . .	I-10 thru I-13
WHEEL LIFT ASSEMBLY . . . . .	I-14 & I-15
CROSSBAR ASSEMBLY . . . . .	I-16 & I-17
BOOM HYDRAULICS . . . . .	I-18 & I-19
WHEEL LIFT HYDRAULICS . . . . .	I-20 & I-21
SPADE HYDRAULICS . . . . .	I-22 & I-23
WINCH HYDRAULICS . . . . .	I-24 & I-25
PUMP, VALVE, FILTER HYDRAULICS . . . . .	I-26 & I-27
CONTROL ASSEMBLY . . . . .	I-28 & I-29

# Section I - PARTS

This Section is provided by the manufacturer for the purpose of ordering any component part of the **V-24** that may be required when part replacement is necessary. Be certain to use only original equipment replacement parts for warranty purposes as well as for keeping your **V-24** in its original state and optimum operating capacities.

When ordering replacement or spare parts be sure to provide the following information to the manufacturer's **Parts Department**.

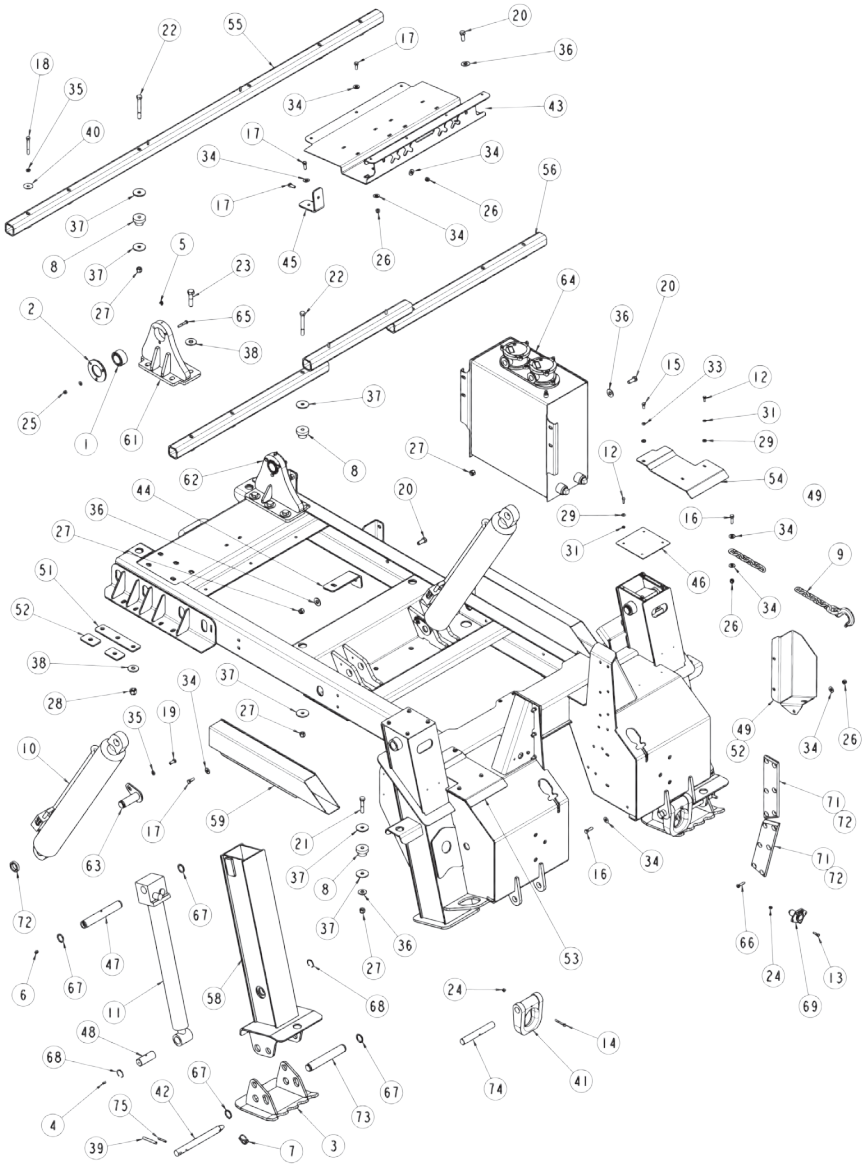
1. **Manual Number & Date of Publication**
2. **Manual Page Number**
3. **Page Title**
4. **Reference Number of Part Desired**
5. **Part Number**
6. **Part Description**
7. **Quantity of Part Desired**

Providing this information will help ensure that the correct parts will be delivered to you in an expedient manner without delay. Should additional information be required for repair or replacement of certain components, contact your Wrecker Manufacturer Authorized Representative.

The Manufacturer reserves the right, without notice or obligation, to improve or modify their products, which may change the specifications, models and feature availability.

# Section I - PARTS (cont'd)

## SUBFRAME ASSEMBLY



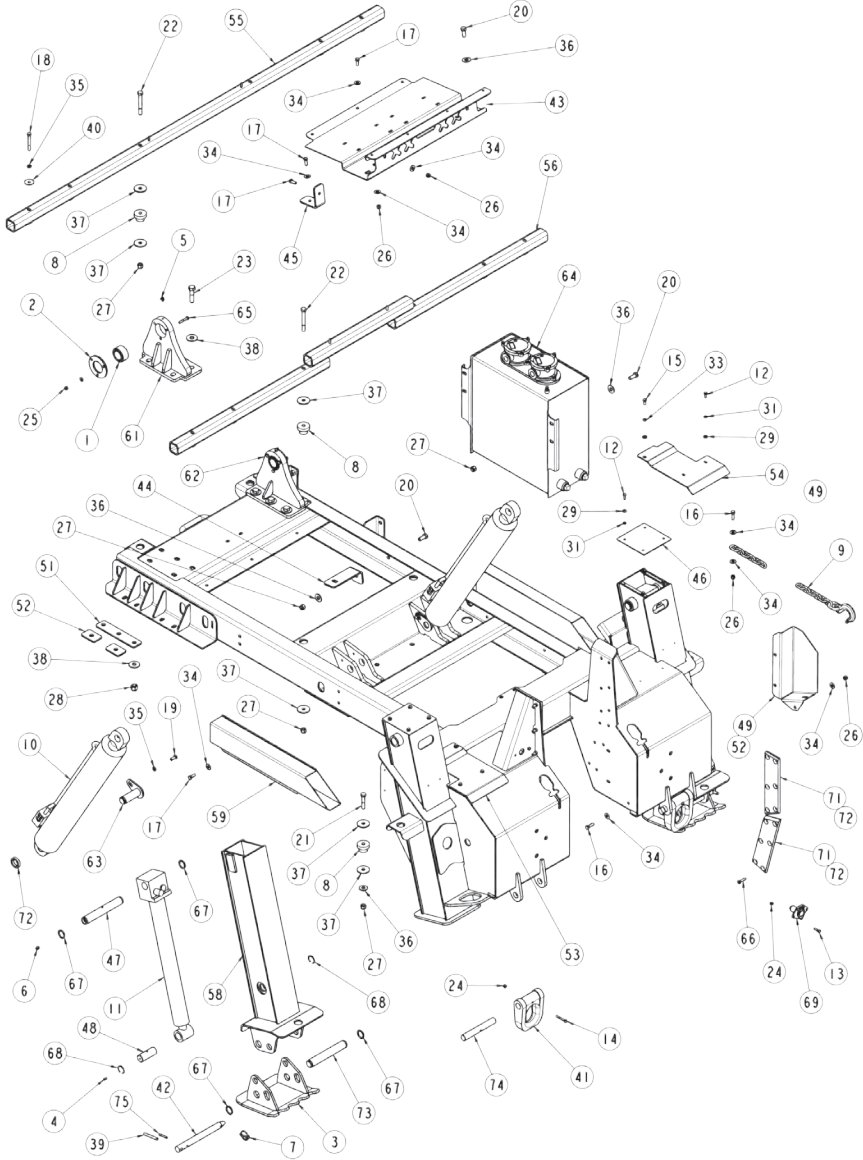
# Section I - PARTS (cont'd)

## SUBFRAME ASSEMBLY

BILL OF MATERIAL			
ITEM	PART NO	DESCRIPTION	QTY
1	561-2502001	SPHERICAL BEARING, 2-1/2" PLAIN	2
2	3012-780001	RETAINING RING	2
3	3014-810700	FLIPPER SPADE	2
4	0300113	GREASE FITTING, 1/4-28 STRAIGHT	2
5	0301397	GREASE FITTING, 90 DEG	2
6	0301895	GREASE FITTING, 1/8 NPT STRAIGHT	2
7	0302474	PIN, LYNCH	2
8	0306680	RUBBER "T" MOUNTS	6
9	0307383	CHAIN ASSEMBLY, 5/16" G7 X 12'	1
10	0310660	CYLINDER - BOOM LIFT	2
11	0310663	CYLINDER, JACK LEG	2
12	0400066	1/4-20 X 3/4 HHCS GR.5,ZP	12
13	0400070	1/4-20 x 1 HHCS GR5 ZP	2
14	0400078	1/4-20 x 2 HHCS GR5 ZP	2
15	0400118	5/16-18 X 3/4 HHCS GR.5 ZP	2
16	0400122	3/8-16 X 1 1/4 HHCS GR.5,ZP	7
17	0400126	3/8-16 X 1 HHCS GR.5,ZP	13
18	0400133	3/8-16 X 3 HHCS GR.5,ZP	1
19	0400141	3/8-16 x 7/8 HHCS GR5 ZP	2
20	0400177	1/2-13 X 1 1/4 HHCS GR. 5, ZP	8
21	0400185	HHCS 1/2-13 x 2-1/2 GRADE 5 ZP	2
22	0400237	1/2-13 x 4 HHCS GR 5 ZP	4
23	0400262	5/8-11 X 2 1/2 HHCS GR.8,ZP	10
24	0400367	1/4-20 NYLOCK HEX NUT ZP	4
25	0400382	5/16-18 NYLOCK HEX NUT ZP	30
26	0400392	3/8-16 NYLOCK HEX NUT ZP	20
27	0400408	1/2-13 NYLOCK HEX NUT ZP	14
28	0400421	5/8-11 NYLOCK HEX NUT ZP	10
29	0400451	1/4 FLAT WASHER ZP	12
30	0400451	1/4 FLAT WASHER ZP	32
31	0400452	1/4 HELICAL LOCK WASHER ZP	12
32	0400463	5/16 FLAT WASHER ZP	6
33	0400464	5/16 HELICAL LOCK WASHER ZP	2
34	0400480	3/8 FLAT WASHER ZP	32
35	0400482	3/8 HELICAL LOCK WASHER ZP	3
36	0400492	1/2 FLAT WASHER ZP	12
37	0400498	WASHER, 1/2' ID X 2" OD X .150	12
38	0400506	5/8 FLAT WASHER USS	20
39	0400568	3/8 x 3 ROLL PIN ZP	2

# Section I - PARTS (cont'd)

## SUBFRAME ASSEMBLY (cont'd)





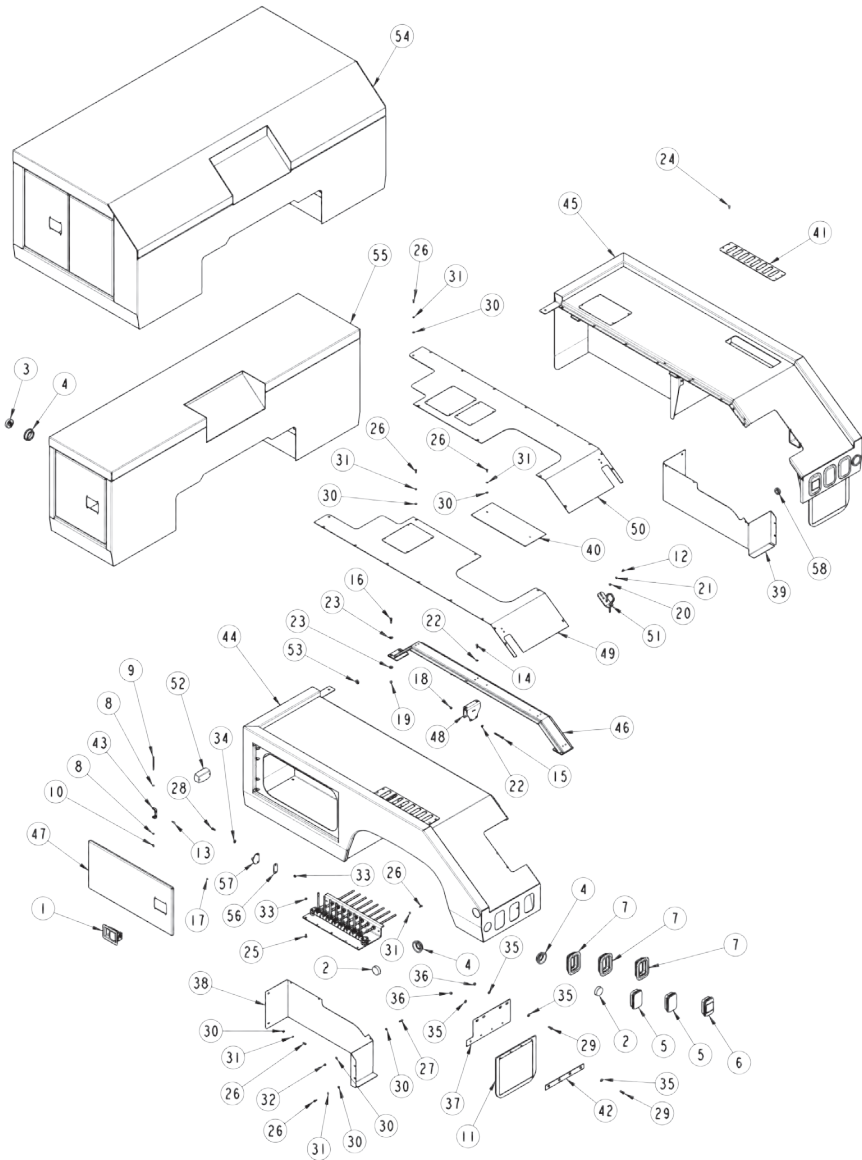
# Section I - PARTS (cont'd)

## SUBFRAME ASSEMBLY (cont'd)

BILL OF MATERIAL			
ITEM	PART NO	DESCRIPTION	QTY
40	0400888	3/8" FENDER WASHER	1
41	0712380	"D" RING	2
42	0712504	PIN, RETAINING	2
43	0722868	VALVE PAN - VALVEOIL-0310529	1
44	0722869	ANGLE - VALVE PAN MTG	2
45	0723016	ANGLE - VALVE PAN SUPPORT	2
46	0723017	COVER - JACK LEG	2
47	0723101	PIN, UPPER TILT CYLINDER	2
48	0723102	PIN - SPADE EXT (ROD)	2
49	0723159	RH CHANNEL - CHAIN BOX	1
50	0723160	LH CHANNEL - CHAIN BOX	1
51	0723197	PLATE - WASHER - BOOM PIVOT	2
52	0723198	PLATE - WASHER - BOOM PIVOT	4
53	0723360	LH ANGLE- RETAINER DRESS-UP	1
54	0723361	RH ANGLE- RETAINER DRESS-UP	1
55	0807232	FRONT BODY MTG.TUBE WELD'T	1
56	0807471	REAR BODY MTG TUBE WELD'T	1
57	0807610	SUBFRAME WELDMENT	1
58	0807615	INNER JACK LEG	2
59	0807650	LH RETAINER INSERT WELDMENT	1
60	0807651	RH RETAINER INSERT WELDMENT	1
61	0807690	LH PIVOT WELDMENT	1
62	0807691	RH PIVOT WELDMENT	1
63	0807707	PIN WELDMENT	2
64	0910612	HYDRAULIC TANK ASSEMBLY - 2465	1
65	9041108	5/16-18 x 1-3/4 HHCS GR 8 ZP	6
66	9043973	SCREW, 5/16"-16 X 1-1/2" FL HD SKT	24
67	9056125	RETAINING RING, 1-1/4" NOM HEAVY DUTY	8
68	9057125	SNAP RING, 1-1/4" NOM INTERNAL	4
69	124001934	4-WAY SOCKET	1
70	806030005	BOOM GUIDE PAD	2
71	806030006	BOOM GUIDE PAD	2
72	896100016	THRUST WASHER - LOWER LIFT CYLINDER	2
73	1616030001	PIN, EXTEND CYLINDER LOWER	2
74	BA0259	PIN, 'D' RING	2
75	HD0106	1/4 x 1-3/4 ROLL PIN ZP	2

# Section I - PARTS (cont'd)

## BODY ASSEMBLY



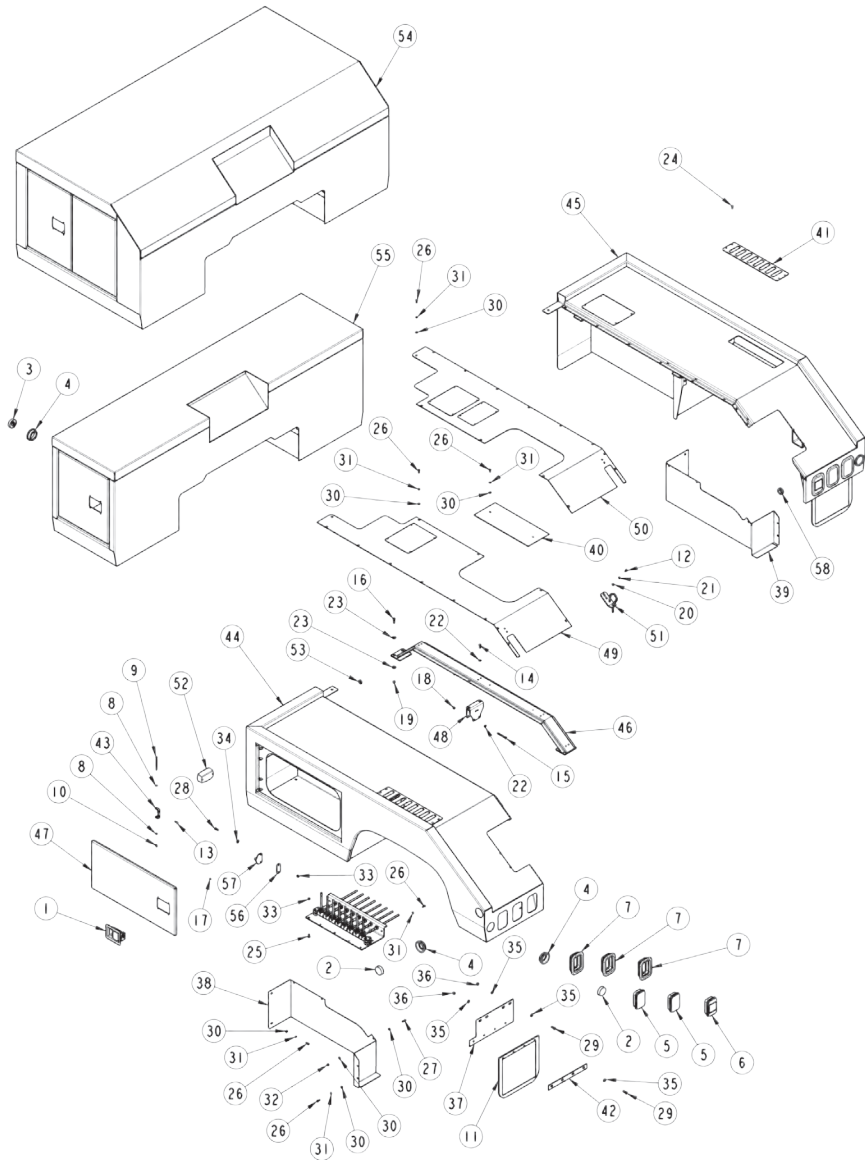
# Section I - PARTS (cont'd)

## BODY ASSEMBLY

BILL OF MATERIAL			
ITEM	PART NO	DESCRIPTION	QTY
1	0303120	PADDLE LATCH W/GASKET	2
2	0303125	LIGHT, MARKER RED	4
3	0303126	LIGHT, MARKER AMBER	2
4	0303127	GROMMET, MARKER LIGHT	6
5	0306683	TAIL LIGHT / STOP-TURN	4
6	0306684	LIGHT, BACKUP	2
7	0306685	GROMMET, LED LIGHT 45 STT	6
8	0310602	NYLON WASHER 1/4 DIA	8
9	0310653	HINGE PIN	4
10	0310709	SPIRAL COTTER PIN	4
11	0310835	MUD FLAP	2
12	0400066	1/4-20 X 3/4 HHCS GR.5,ZP	4
13	0400075	1/4-20 x 3/4 SOCKET HD CAP SCREW	8
14	0400109	5/16-18 X 1 HHCS GR.5,ZP	2
15	0400114	5/16-18 x 3 HHCS GR 5 ZP	2
16	0400122	3/8-16 X 1 1/4 HHCS GR.5,ZP	4
17	0400351	#8-32 HEX NUT w/ STAR WASHER, ZP	8
18	0400382	5/16-18 NYLOCK HEX NUT ZP	4
19	0400392	3/8-16 NYLOCK HEX NUT ZP	4
20	0400451	1/4 FLAT WASHER ZP	4
21	0400452	1/4 HELICAL LOCK WASHER ZP	4
22	0400463	5/16 FLAT WASHER ZP	6
23	0400480	3/8 FLAT WASHER ZP	8
24	0400601	1/4" X 1" RD HD PHILLIPS SCREW	8
25	0400823	5/16-18 x 3/4 LG HHCS SS	10
26	0402020	1/4-20 x 3/4 HHCS SS	56
27	0402021	1/4-20 x 1 HHCS SS	6
28	0402032	5/16 x 1 HHCS SS	4
29	0402042	3/8-16 X 1 HHCS S.S.	16

# Section I - PARTS (cont'd)

## BODY ASSEMBLY (cont'd)

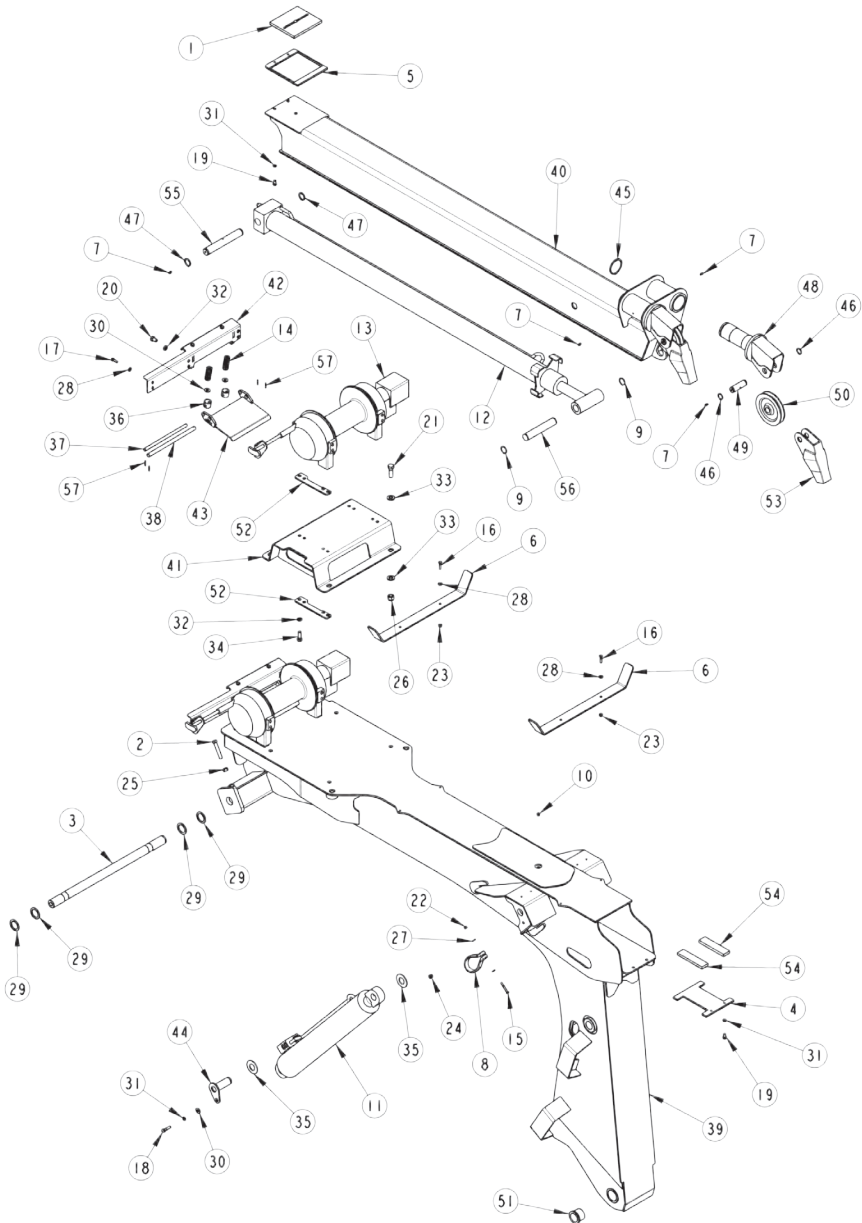


## Section I - PARTS (cont'd) BODY ASSEMBLY (cont'd)

BILL OF MATERIAL			
ITEM	PART NO	DESCRIPTION	QTY
30	0402110	1/4 FLATWASHER 316 STAINLESS	64
31	0402111	1/4 LOCKWASHER 316 STAINLESS	56
32	0402113	1/4-20 NYLOCK HEX NUT SS	6
33	0402116	5/16"-18 NC HEX NYLOK NUT SS	14
34	0402117	5/16 FLATWASHER 316SS	4
35	0402120	3/8 FLATWASHER 316 SS	32
36	0402123	3/8-16 NYLOCK HEX NUT SS	16
37	0723044	MUD FLAP EXTENSION PLATE	2
38	0723053	LH SPLASH GUARD	1
39	0723054	RH SPLASH GUARD	1
40	0723120	PLATE - MID DECK COVER	1
41	0723131	PLATE - 8 FUNCTION CONTROL COVER	2
42	0723234	MUD FLAP BACK-UP STRIP	2
43	0807557	HINGE CHANNEL WELD'T	4
44	0807621	LH BODY WELDMENT	1
45	0807622	RH BODY WELDMENT	1
46	0807626	CENTER SUPPORT WELDMENT	1
47	0807659	DOOR WELDMENT	2
48	0807676	CENTER SUPPORT BRACKET WELDMENT	1
49	0807678	LH DECK WELDMENT	1
50	0807679	RH DECK WELDMENT	1
51	0807720	RETAINER LOCK BRACKET WELDMENT	2
52	9025049	INTERIOR COMPARTMENT LIGHT w/ SWITCH	2
53	9032053	GROMMET	2
54	124004252	48" SPACER BOX	1
55	124004253	24" SPACER BOX	1
56	945400518	WASHER PLATE	2
57	945400800	STRICKER PIN WELDMENT	2
58	GV57	RUBBER GROMMET	2

# Section I - PARTS (cont'd)

## BOOM ASSEMBLY



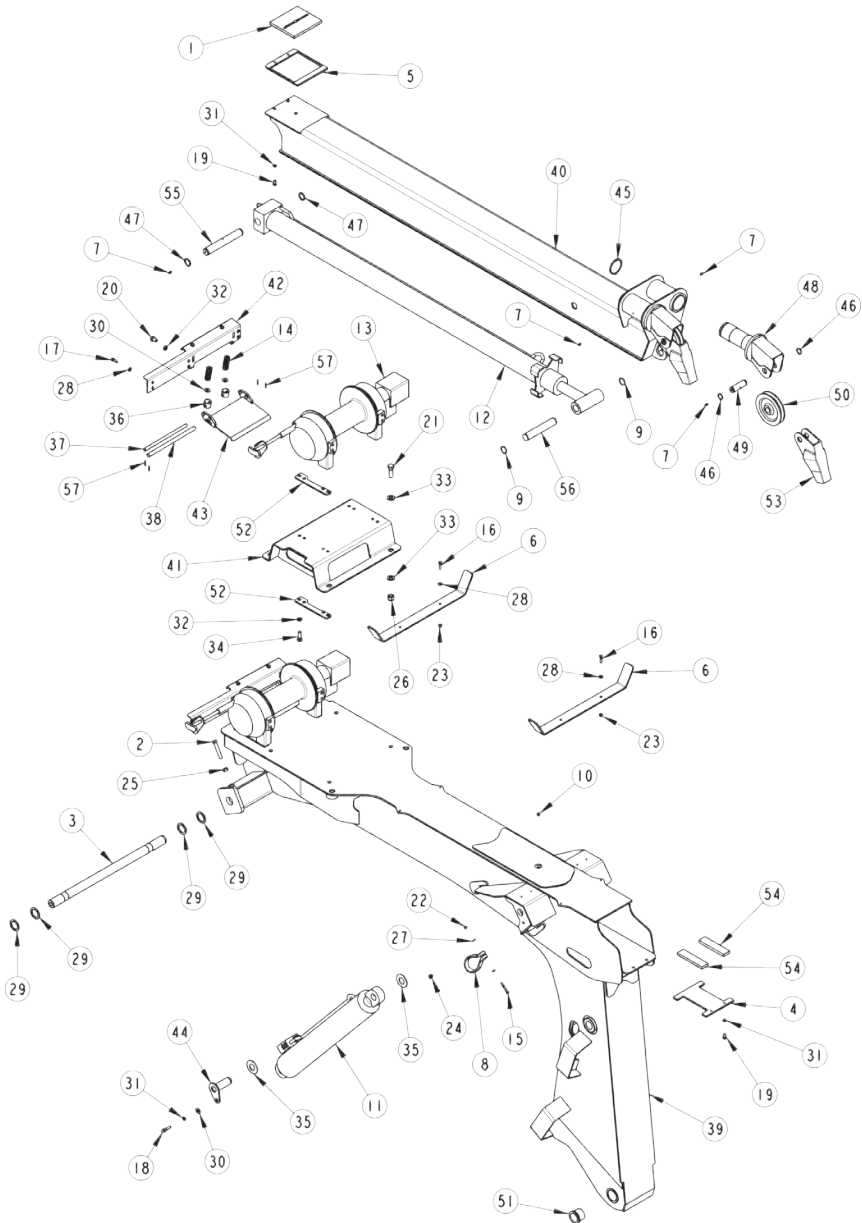
# Section I - PARTS (cont'd)

## BOOM ASSEMBLY

BILL OF MATERIAL			
ITEM	PART NO	DESCRIPTION	QTY
1	535-0500001	NYLATRON PAD	1
2	541-5050219	1/2"-13 X 3" H.H.C.S. FULL THREAD	2
3	3012-700001	PIN - MAIN BOOM PIVOT	1
4	3012-792001	PLATE - PAD CAGE	1
5	3012-792002	PLATE - PAD CAGE	1
6	3014-792001	PLATE - CABLE WING	2
7	0300113	GREASE FITTING, 1/4-28 STRAIGHT	5
8	0301533	TIE DOWN STRAP, 15"	2
9	0301642	SNAP RING, 1-1/4"	2
10	0301895	GREASE FITTING, 1/8 NPT STRAIGHT	1
11	0310660	CYLINDER - BOOM LIFT	1
12	0310662	CYLINDER - BOOM EXTENSION	1
13	0310765	RAMSEY RPH 12000 PLANETARY WINCH	2
14	0310800	SPRING - HOSE TENSIONER	4
15	0400078	1/4-20 x 2 HHCS GR5 ZP	2
16	0400103	5/16-18 X 1 1/4 HHCS GR.5, ZP	4
17	0400109	5/16-18 X 1 HHCS GR.5,ZP	4
18	0400132	3/8-16 X 1 1/2 HHCS GR.5,ZP	2
19	0400149	3/8-16 x 5/8 HHCS GR5 ZP	4
20	0400239	1/2-13 x 3/4 HHCS GR 5 ZP	8
21	0400274	5/8-11 x 2 HHCS GR 8 YZ P	4
22	0400367	1/4-20 NYLOCK HEX NUT ZP	2
23	0400382	5/16-18 NYLOCK HEX NUT ZP	6
24	0400392	3/8-16 NYLOCK HEX NUT ZP	2
25	0400407	1/2-13 HEX NUT	2
26	0400426	5/8-11 NYLOCK NUT GR.8 ZP	4
27	0400451	1/4 FLAT WASHER ZP	4
28	0400463	5/16 FLAT WASHER ZP	8
29	0400479		4

# Section I - PARTS (cont'd)

## BOOM ASSEMBLY (cont'd)





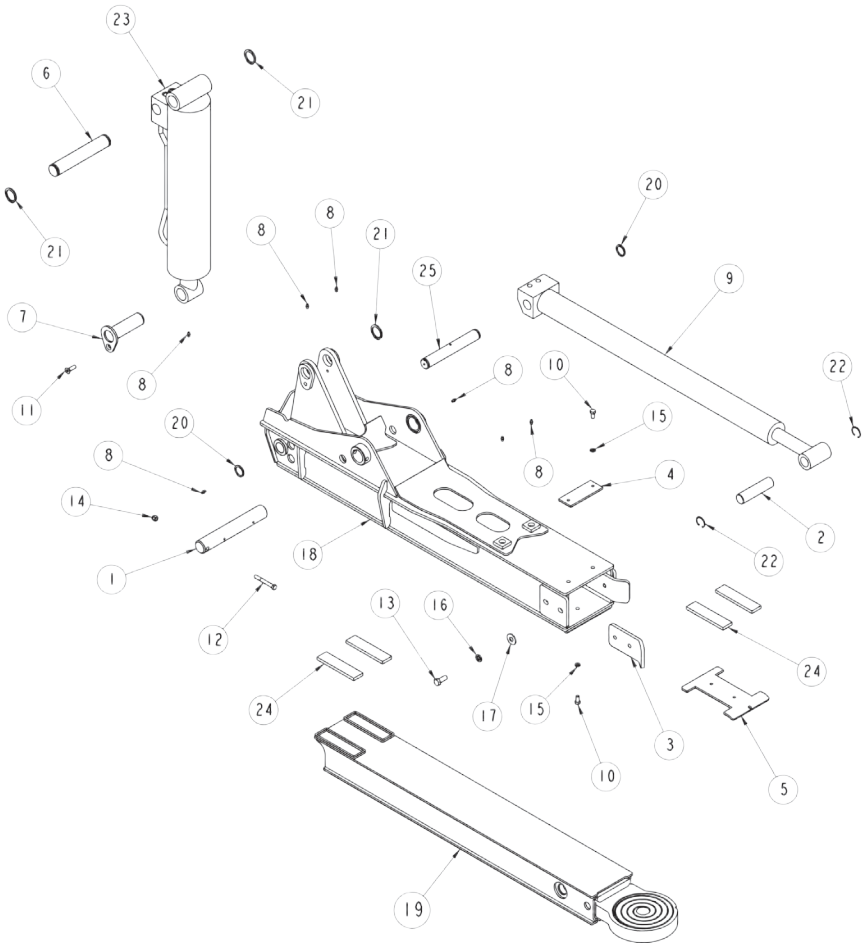
## Section I - PARTS (cont'd)

### BOOM ASSEMBLY (cont'd)

BILL OF MATERIAL			
ITEM	PART NO	DESCRIPTION	QTY
30	0400480	3/8 FLAT WASHER ZP	6
31	0400482	3/8 HELICAL LOCK WASHER ZP	6
32	0400491	1/2 HELICAL LOCK WASHER ZP	24
33	0400503	5/8 FLAT WASHER GR. 8	8
34	0400633	1/2-13 X 1 1/2 HHCS GR. 8, ZP	16
35	0704911	SPACER	4
36	0723127	SPRING CUP - TENSIONER	4
37	0723128	PIN - SPRING PIVOT - TENSIONER	2
38	0723129	PIN - TENSIONER PIVOT	2
39	0807595	OUTER BOOM	1
40	0807598	INNER BOOM WELD'T	1
41	0807606	WINCH MTG. BRACKET	1
42	0807685	TENSIONER BRACKET WELD'T	2
43	0807686	FLAPPER PLATE WELDMENT	2
44	0807707	PIN WELDMENT	2
45	9055275	SNAP RING, 2-3/4" EXTERNAL	2
46	9056098	SNAP RING, 1"	4
47	9056125	RETAINING RING, 1-1/4" NOM HEAVY DUTY	2
48	804181500	SHEAVE HOUSING CASTING	2
49	805180001	SHEAVE SHAFT	2
50	805180002	SHEAVE CASTING	2
51	806510001	BEARING-FLANGED	2
52	810040007	WINCH SPACER PLATE	8
53	852060100	CABLE GUIDE CASTING	2
54	880060002	STINGER NYLATRON PAD	2
55	897400001	PIN-FRONT-BOOM EXT.	1
56	897400002	PIN-FRONT-BOOM EXT.	1
57	HD0117	SPRING PIN 1/8 x 1	8

# Section I - PARTS (cont'd)

## UNDERLIFT ASSEMBLY



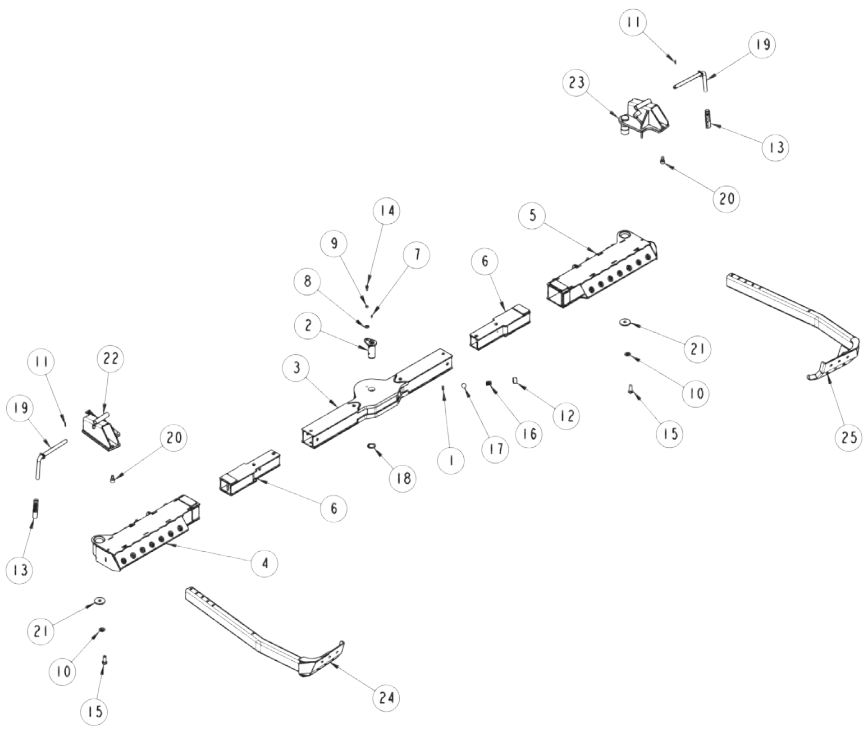
# Section I - PARTS (cont'd)

## UNDERLIFT ASSEMBLY

BILL OF MATERIAL			
ITEM	PART NO	DESCRIPTION	QTY
1	3012-700002	PIN - STINGER	1
2	3012-700003	PIN - UL EXT (ROD)	1
3	3012-794002	PLATE - XBAR POSITIONING	2
4	3012-794003	BAR - SPACER	1
5	3012-794004	PLATE - UL PAD CAGE	1
6	3014-700002	PIN - FOLD (BASE)	1
7	3014-801000	PIN WELDMENT	1
8	0300113	GREASE FITTING, 1/4-28 STRAIGHT	7
9	0310661	CYLINDER, STINGER EXTENSION	1
10	0400121	3/8-16NC X 3/4 HHCS GR. B	4
11	0400128	3/8-16X1.25 FLAT HD SOC	1
12	0400133	3/8-16 X 3 HHCS GR. 5,ZP	1
13	0400218	1/2-13 x 1-1/4 HHCS GR. 5 ZP	4
14	0400392	3/8-16 NYLOCK HEX NUT ZP	1
15	0400482	3/8 HELICAL LOCK WASHER ZP	4
16	0400491	1/2 HELICAL LOCK WASHER ZP	4
17	0400492	1/2 FLAT WASHER ZP	4
18	0807601	OUTER STINGER WELDMENT	1
19	0807603	U/L INNER BOOM WELD'T	1
20	9056125	RETAINING RING, 1-1/4" NOM HEAVY DUTY	2
21	9056150	RETAINING RING, 1-1/2"	3
22	9057125	SNAP RING, 1-1/4" NOM INTERNAL	2
23	806700000	TILT CYLINDER	1
24	896040002	NYLATRON PAD	4
25	897400001	PIN-FRONT-BOOM EXT.	1

# Section I - PARTS (cont'd)

## CROSSBAR ASSEMBLY



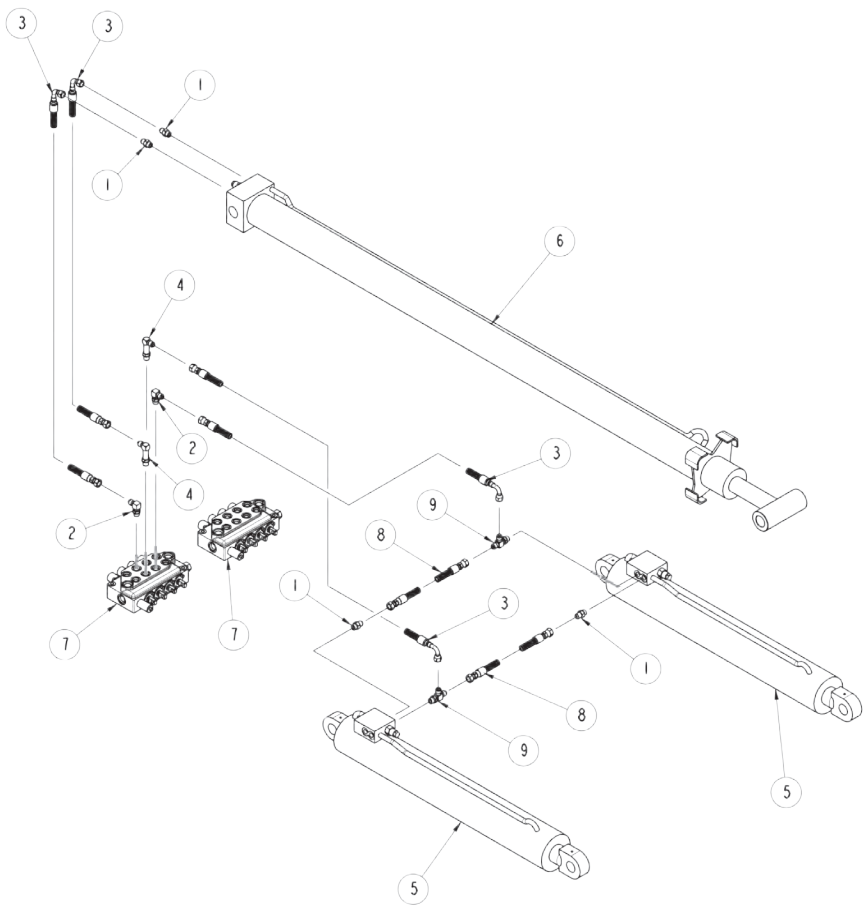
# Section I - PARTS (cont'd)

## CROSSBAR ASSEMBLY

BILL OF MATERIAL			
ITEM	PART NO	DESCRIPTION	QTY
1	3014-796005	SPACER, CROSSBAR DIE SPRING	1
2	3014-801100	PIN - CROSSBAR	1
3	3014-860000	CROSSBAR-FABRICATED	1
4	3014-860400	CROSSTUBE - OUTER	1
5	3014-860500	CROSSTUBE - LH OUTER	1
6	3014-9602000	END CROSSBAR	2
7	0300113	GREASE FITTING, 1/4-28 STRAIGHT	3
8	0400480	3/8 FLAT WASHER ZP	1
9	0400482	3/8 HELICAL LOCK WASHER ZP	1
10	0400505	5/8 FLAT WASHER SAE	2
11	0400559	3/16 x 1 ROLL PIN ZP	2
12	9012944	PIPE PLUG, 1" NPT SKT HD	1
13	9032158	RUBBER GRIP	2
14	9041205	3/8-16 x 1 Lg. HHCS Gr. 8	1
15	9043950	5/8-11x1-1/2	2
16	9047057	DETENT SPRING	1
17	9052013	BALL, 1" CHROME	1
18	9056150	RETAINING RING, 1-1/2"	1
19	880411500	STOP PIN	2
20	896380001	SCOOP RETAINING PIN	2
21	896380002	SCOOP WASHER	2
22	896380500	SCOOP BRACKET WELDMENT, LH	1
23	896387500	SCOOP BRACKET WELDMENT, RH	1
24	896390000	LH WHEEL RETAINER	1
25	896397000	RH WHEEL RETAINER	1

# Section I - PARTS (cont'd)

## BOOM HYDRAULICS



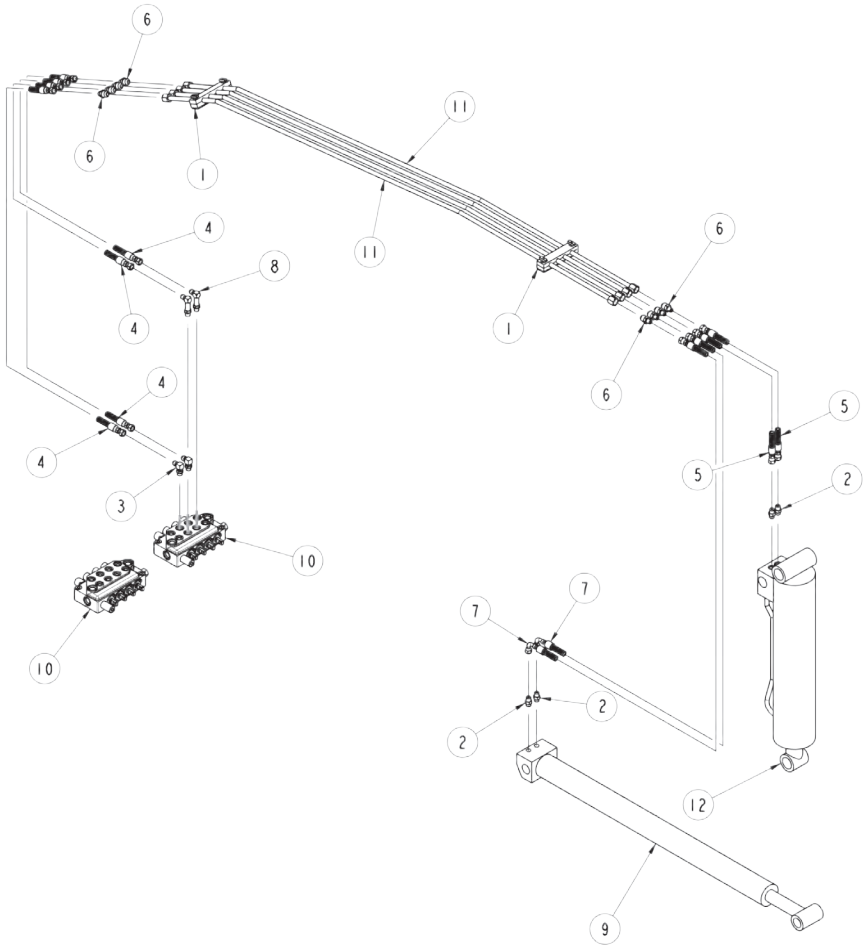
# Section I - PARTS (cont'd)

## BOOM HYDRAULICS

BILL OF MATERIAL			
ITEM	PART NO	DESCRIPTION	QTY
1	0301522	CONNECTOR 6MJ-6MB	4
2	0301620	FITTING, ELBOW, 6MJ-6MB90	2
3	0302814	HOSE ASSEMBLY, 32"	4
4	0307460	FITTING, ELBOW, 6MJ-6MB90L	2
5	0310660	CYLINDER - BOOM LIFT	2
6	0310662	CYLINDER - BOOM EXTENSION	1
7	0310667	VALVE, 4-SPOOL	2
8	0310782	HOSE ASSEMBLY, 13" Lg.	2
9	9012594	FITTING, HYD RUN TEE, 6MJ-6MB-6MJ	2

# Section I - PARTS (cont'd)

## WHEEL LIFT HYDRAULICS





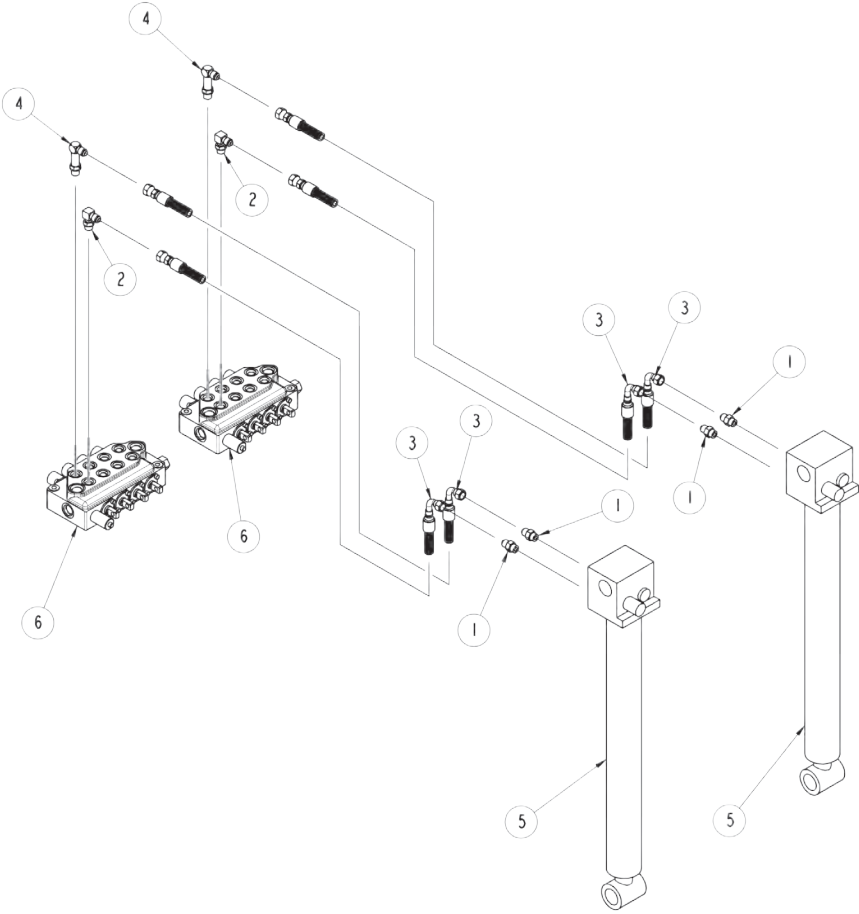
# Section I - PARTS (cont'd)

## WHEEL LIFT HYDRAULICS

BILL OF MATERIAL			
ITEM	PART NO	DESCRIPTION	QTY
1	566-0840000	CLAMP SET, 4-TUBE	2
2	0301522	CONNECTOR 6MJ-6MB	4
3	0301620	FITTING, ELBOW, 6MJ-6MB90	2
4	0302000	HOSE ASSEMBLY, 24" Lg	4
5	0302035	HOSE ASSEMBLY, 13" Lg.	2
6	0302514	ADAPTER, 8MJ-6MJ	8
7	0303170	HOSE ASSEMBLY 3/8"	1
8	0307460	FITTING, ELBOW, 6MJ-6MB90L	2
9	0310661	CYLINDER, STINGER EXTENSION	1
10	0310667	VALVE, 4-SPOOL	2
11	0310778	HYDRAULIC TUBE ASSY	4
12	806700000	TILT CYLINDER	1

# Section I - PARTS (cont'd)

## SPADE HYDRAULICS



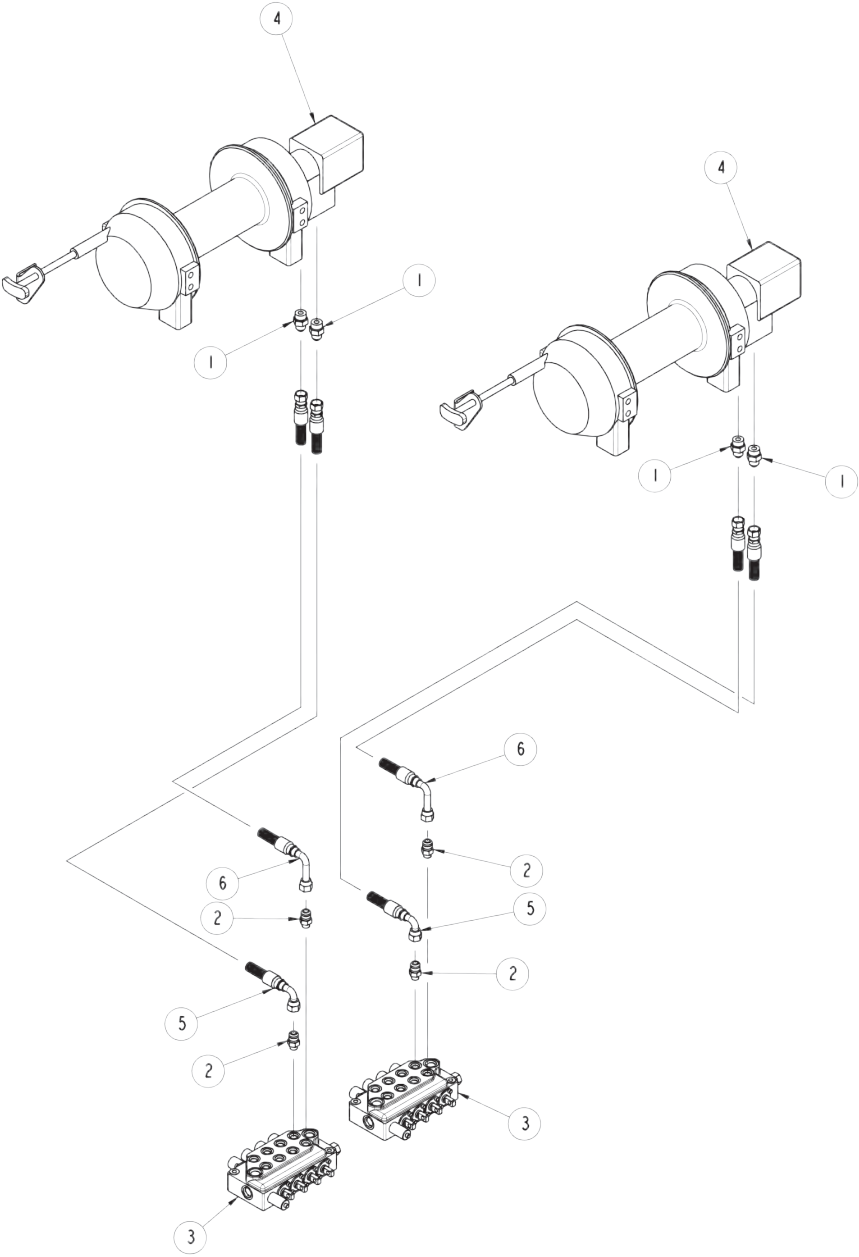
# Section I - PARTS (cont'd)

## SPADE HYDRAULICS

BILL OF MATERIAL			
ITEM	PART NO	DESCRIPTION	QTY
1	0301522	CONNECTOR 6MJ-6MB	4
2	0301620	FITTING, ELBOW, 6MJ-6MB90	2
3	0303170	HOSE ASSEMBLY, 75" Lg.	4
4	0307460	FITTING, ELBOW, 6MJ-6MB90L	2
5	0310663	CYLINDER, JACK LEG	2
6	0310667	VALVE, 4-SPOOL	2

# Section I - PARTS (cont'd)

## WINCH HYDRAULICS



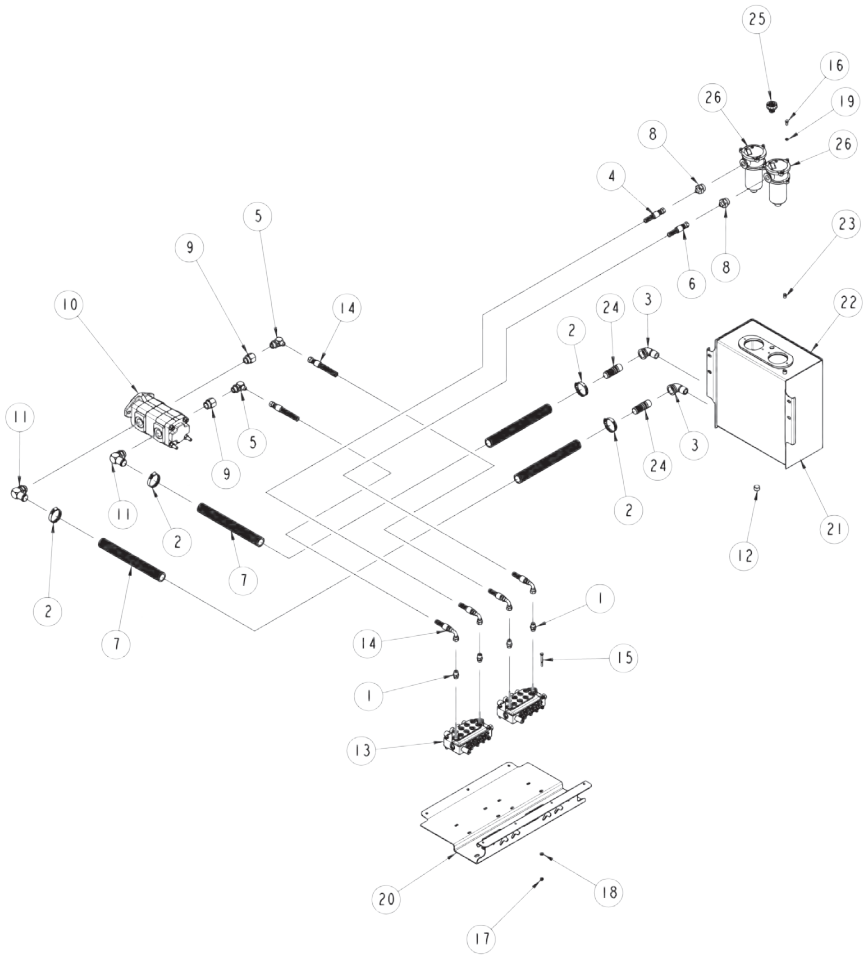
# Section I - PARTS (cont'd)

## WINCH HYDRAULICS

BILL OF MATERIAL			
ITEM	PART NO	DESCRIPTION	QTY
1	0301376	CONNECTOR 8MJx10MB	4
2	0307555	CONNECTOR 8MJx6MB	4
3	0310667	VALVE, 4-SPOOL	2
4	0310765	RAMSEY RPH 12000 PLANETARY WINCH	2
5	0310780	HOSE ASSEMBLY, 45" Lg.	2
6	0310781	HOSE ASSEMBLY, 45" Lg.	2

# Section I - PARTS (cont'd)

## PUMP, VALVE, FILTER HYDRAULICS



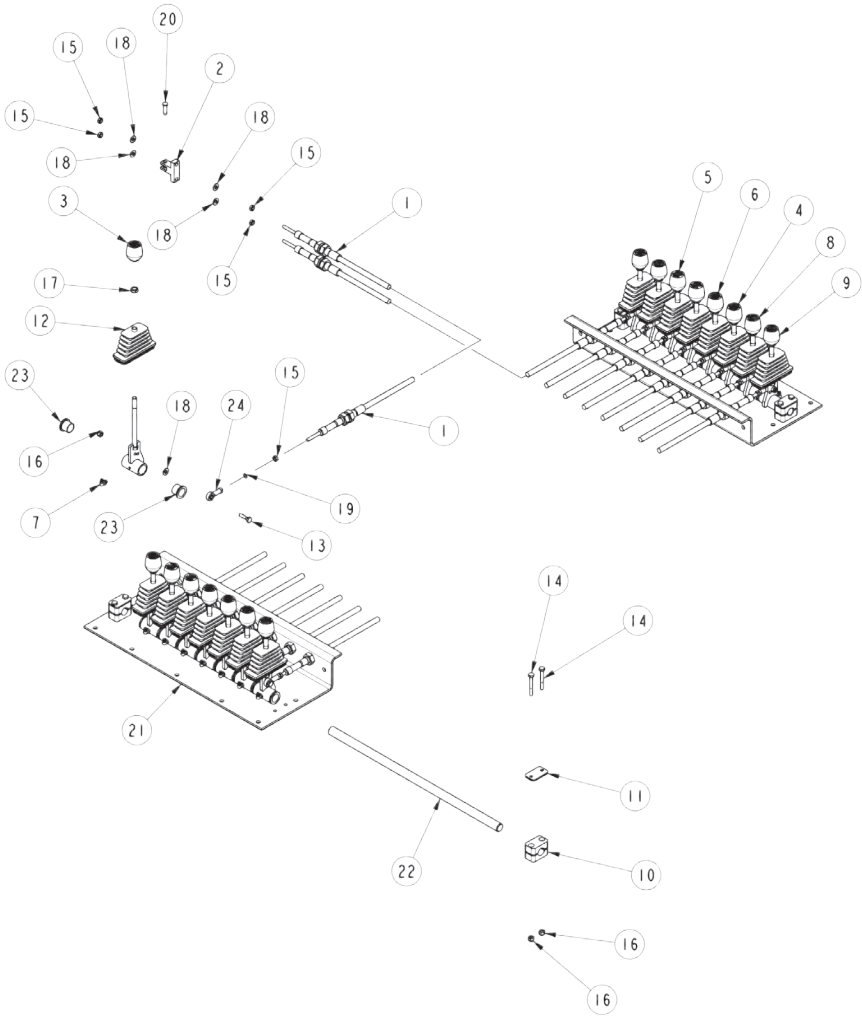
# Section I - PARTS (cont'd)

## PUMP, VALVE, FILTER HYDRAULICS

BILL OF MATERIAL			
ITEM	PART NO	DESCRIPTION	QTY
1	0300041	CONNECTOR 8MJx8MB	4
2	0300364	HOSE CLAMP, 7/8" TO 2-3/4"	4
3	0300692	STREET ELBOW, 1" 90°	2
4	0301471	HOSE ASSEMBLY, 30" Lg.	1
5	0301547	ELBOW, 8MJ-12MB90	2
6	0301791	HOSE ASSEMBLY, 30" Lg.	1
7	0302756	SUCTION HOSE, 1-1/4" ID (100R4)	4
8	0302757	CONNECTOR, 8MJ-12MB	2
9	0302906	ADAPTER, 16MB-12FB	2
10	0303867	PUMP, BI-ROTATIONAL	1
11	0306539	HOSE BARB, 20HOSE-16MB90	2
12	0310462	MAGNETIC HEX PLUG ~ 3/4 NPT	1
13	0310667	VALVE, 4-SPOOL	2
14	0310783	HOSE ASSEMBLY, 130" Lg.	2
15	0400107	5/16-2.5 x 2-1/2 HHCS	6
16	0400118	5/16-18 X 3/4 HHCS GR.5 ZP	4
17	0400382	5/16-18 NYLOCK HEX NUT ZP	6
18	0400463	5/16 FLAT WASHER ZP	6
19	0400464	5/16 HELICAL LOCK WASHER ZP	4
20	0722868	VALVE PAN - VALVE OIL-0310529	1
21	0807661	HYDRAULIC TANK WELDMENT	1
22	0910612	HYDRAULIC TANK ASSEMBLY ~ 2465	1
23	9011011	PIPE PLUG, 1/4" SQ HD	1
24	9012927	PIPE NIPPLE, 1" NPT X 1-1/4" BARB	2
25	9018131	BREATHER CAP	1
26	9018399	IMMERSION FILTER ASSEMBLY	2

# Section I - PARTS (cont'd)

## CONTROL ASSEMBLY





# Section I - PARTS (cont'd)

## CONTROL ASSEMBLY

BILL OF MATERIAL			
ITEM	PART NO	DESCRIPTION	QTY
1	518-0108400	CONTROL CABLE ROD END	16
2	3014-791012	CLEVIS - DUAL CTRL CABLE	8
3	0300834	KNOB, CABLE (IN-OUT)	4
4	0300835	KNOB, BOOM (UP-DN)	2
5	0300836	KNOB, JACK (UP-DN)	4
6	0300837	KNOB, BOOM (IN-OUT)	2
7	0301397	GREASE FITTING, 90 DEG	16
8	0303380	KNOB - UNDERLIFT (IN - OUT)	2
9	0303381	KNOB - UNDERLIFT (UP - DN)	2
10	0307823	CLAMP CUSHION	4
11	0307824	CLAMP COVER PLATE	4
12	0310148	BOOT - CONTROL HANDLE	16
13	0400070	1/4-20 x 1 HHCS GR5 ZP	16
14	0400078	1/4-20 x 2 HHCS GR5 ZP	8
15	0400365	HEX NUT, 1/4"-28	48
16	0400367	1/4-20 NYLOCK HEX NUT ZP	24
17	0400393	3/8"-16 HEX JAM NUT	16
18	0400451	1/4 FLAT WASHER ZP	48
19	0400458	1/4 STAR LOCKWASHER ZP	16
20	0400527	CLEVIS PIN, 5/16" X 5/8" COTTERLESS	8
21	0723018	PLATE- CONTROL HANDLE MOUNTING	2
22	0723019	ROD CONTROL HANDLE PIVOT	2
23	0908406	CONTROL HANDLE ASSY	16
24	HD0900	BEARING, ROD END, 1/4-28	16







Miller Industries Towing Equipment Inc.  
8503 Hilltop Drive • Ooltewah, Tennessee 37363 • (423) 238-7227  
[www.millerind.com](http://www.millerind.com)