



OWNER'S MANUAL

NV-50

INSTALLATION, OPERATION, MAINTENANCE & PARTS

**NOTE: MANUAL including SPECIFICATIONS, subject to change without notice
All ratings specified are based on structural factors only,
not vehicle capacities or capabilities.**



Miller Industries Towing Equipment Inc.

8503 Hilltop Drive

Ooltewah, Tennessee 37363

Phone (423) 238-7227 • FAX (423) 238-7237

FORM NO. 0501134

05 / 01

PRICE \$25.00

LIMITED WARRANTY

MILLER INDUSTRIES TOWING EQUIPMENT INC., hereinafter referred to as MILLER, warrants to the original purchaser that each new MILLER wrecker or other MILLER products will be free from defects in material and workmanship for a period of twelve (12) months from date placed in service, but in no event shall such warranty period exceed twenty-four (24) months from date of manufacture by MILLER. The purchaser must promptly notify MILLER in writing of any failure in material or workmanship. In no event shall MILLER accept such notification later than twenty-four (24) months from date of delivery or twelve (12) months from date placed in service, whichever is earlier.

MILLER's obligation under this warranty, statutory or otherwise, is limited to the repair or replacement at the MILLER factory, or at a point designated by MILLER, of such part or parts as shall appear upon inspection by MILLER to be defective in material or workmanship. New or remanufactured parts will be used for any replacement at MILLER's option. This warranty is not transferable. This warranty does not obligate MILLER to bear the cost of labor or transportation charges in connection with the repair or replacement of any parts found to be defective, nor shall it apply to a product upon which repairs or alterations have been made unless authorized by MILLER.

EXCEPT AS EXPRESSLY SET FORTH IN THIS WARRANTY, MILLER MAKES NO OTHER WARRANTY, EXPRESS OR IMPLIED, AND HEREBY DISCLAIMS ALL OTHER WARRANTIES INCLUDING, BUT NOT LIMITED TO, THE IMPLIED WARRANTIES OF MERCHANTABILITY AND FITNESS FOR A PARTICULAR PURPOSE. MILLER shall in no event be liable for claimed downtime, claimed loss of profits or goodwill, or any other special, incidental, indirect, or consequential damages concerning or relating to any product or parts, whether based on negligence, strict liability, breach of contract, breach of warranty, misrepresentation or any other legal theory, regardless of whether the loss resulted from any general or particular requirement which MILLER knew or had reason to know about at the time of sale.

MILLER MAKES NO WARRANTY, EXPRESS OR IMPLIED, AS TO THE FINISHED PRODUCTS MANUFACTURED OR SUPPLIED BY ANOTHER MANUFACTURER AND SUPPLIED BY MILLER TO PURCHASER, including, but not limited to, any vehicle to which a MILLER product may be affixed or any accessories or wire rope, and MILLER EXPRESSLY DISCLAIMS ANY IMPLIED WARRANTIES OF MERCHANTABILITY OR FITNESS FOR A PARTICULAR PURPOSE AS TO SUCH EQUIPMENT OR PRODUCTS. This language shall in no way affect or diminish the rights of the purchaser to rely on such warranties as are extended by such manufacturers or suppliers. MILLER shall, to the extent permitted under applicable law, pass on to the purchaser such manufacturer's or seller's warranty.

MILLER, whose policy is one of continuous improvement, reserves the right to improve its products through changes in design or materials as it may deem desirable without being obligated to incorporate such changes in products previously sold. This warranty is not intended to cover or include the following items, which are set forth by way of example and not limitation:

- A. Normal deterioration of trim, paint, lettering, and appearance items due to wear or exposure to weather, road conditions, road treatments, etc.
- B. Any damage or defect due to accident, misuse, abuse, improper or unauthorized repairs, failure to provide reasonable and necessary maintenance, or uses for which the equipment was not designed or intended.
- C. Alterations or modifications that affect performance, operation or reliability.
- D. Normal maintenance parts including, but not limited to, wear pads, bushings, wire rope, mud flaps, fenderettes, light bulbs, hydraulic oil, filters, and tow sling belts.

IT IS EXPRESSLY UNDERSTOOD THAT MILLER MAKES NO IMPLIED WARRANTY THAT MILLER PRODUCTS SHALL BE FIT FOR THE PURPOSE OF LIFTING OR MOVING PEOPLE OR FOR ANY OTHER IMPROPER USE.



Miller Industries Towing Equipment Inc.
8503 Hilltop Drive
Ooltewah, Tennessee 37363

Telephone (423) 238-7227

SERIAL NUMBER

Section VI - PARTS

This Section is provided by the manufacturer for the purpose of ordering any component part of the **VULCAN NV-50** that may be required when part replacement is necessary. Be certain to use only original equipment replacement parts for warranty purposes as well as for keeping your **VULCAN NV-50** in its original state and optimum operating capacities. When ordering replacement or spare parts be sure to provide the following information to the manufacturer's **Parts Department**.

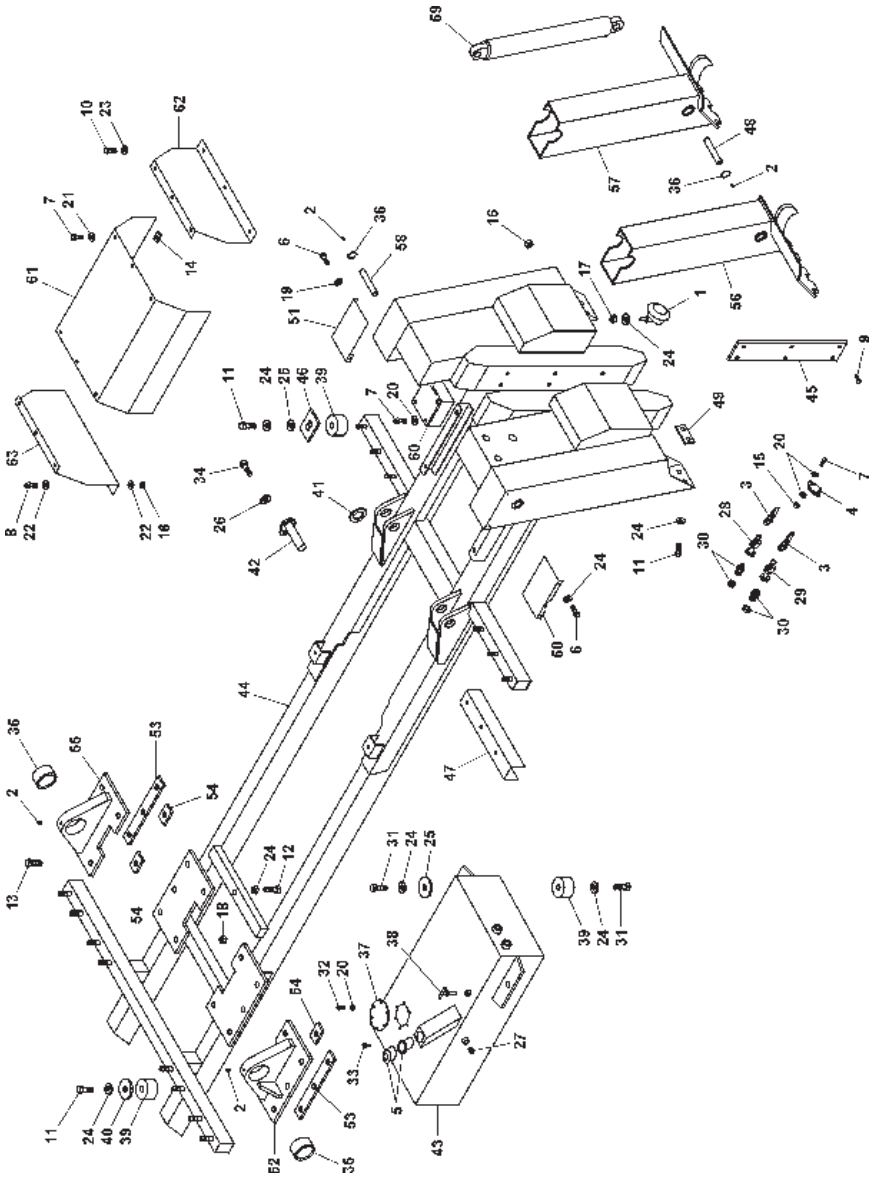
1. **Manual Number & Date of Publication**
2. **Manual Page Number**
3. **Page Title**
4. **Reference Number of Part Desired**
5. **Part Number**
6. **Part Description**
7. **Quantity of Part Desired**

Providing this information will help ensure that the correct parts will be delivered to you in an expedient manner without delay. Should additional information be required for repair or replacement of certain components, contact your Wrecker Manufacturer Authorized Representative.

The Manufacturer reserves the right, without notice or obligation, to improve or modify their products, which may change the specifications, models and feature availability.

Section VI - PARTS (cont'd)

SUBFRAME ASSEMBLY



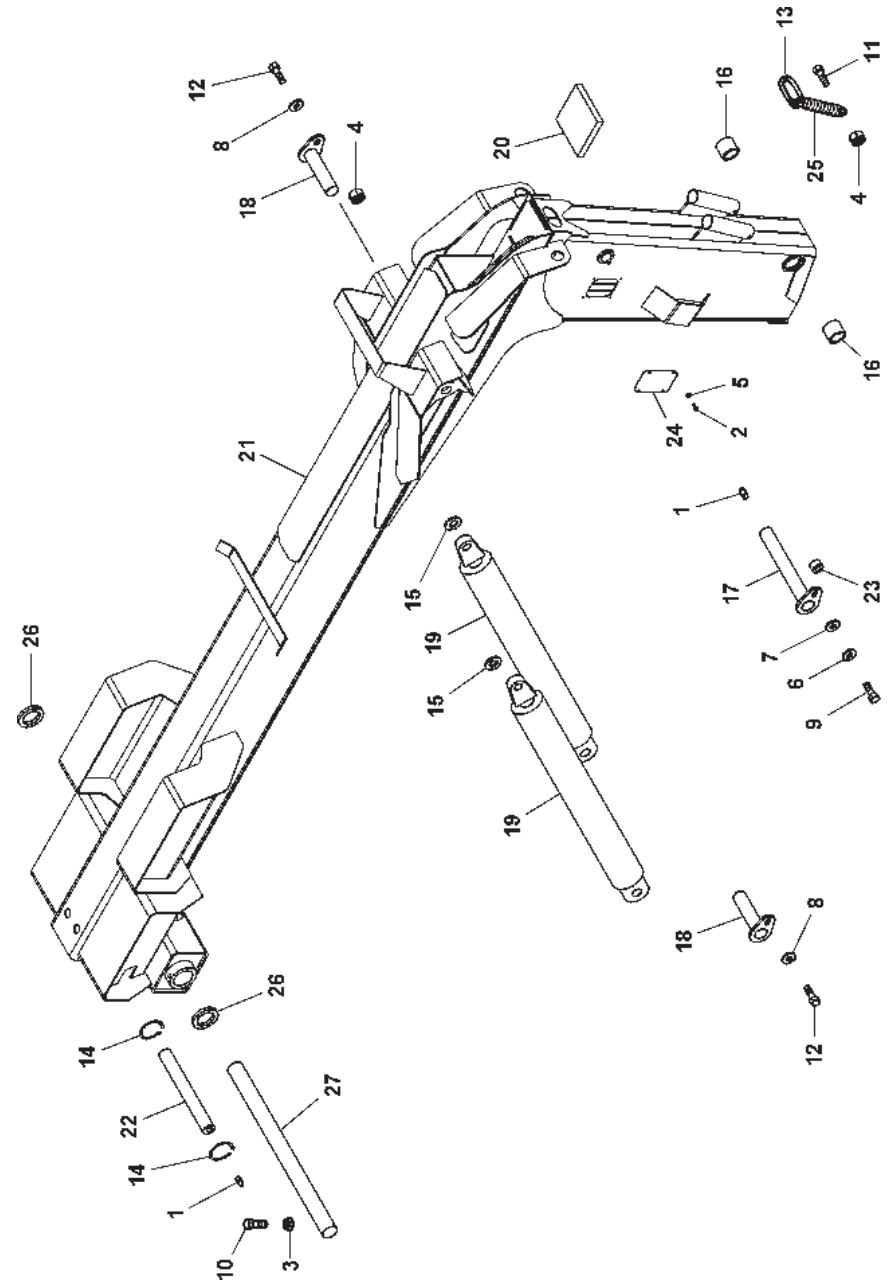
Section VI - PARTS (cont'd)

SUBFRAME ASSEMBLY

REF. NO.	NO. REQ'D	PART NUMBER	DESCRIPTION
1	2	0301505	HOOK-UP LIGHT
2	6	0301895	GREASE FITTING, 1/8" NPT
3	2	0301945	GLADHAND PLUG
4	1	0301948	HD 7 WAY TRAILER CONNECTOR
5	1	0305006	FILLER CAP
6	6	0400066	SCREW, 1/4"-20 X 3/4" HEX HD CAP
7	10	0400109	SCREW, 5/16"-18 X 1" HEX HD CAP
8	2	0400126	SCREW, 3/8"-16 X 1" HEX HD CAP
9	12	0400128	SCREW, 3/8"-16 FL HD SKT
10	9	0400149	SCREW, 3/8"-16 X 5/8" HEX HD CAP
11	14	0400176	SCREW, 1/2"-13 X 1" HEX HD CAP
12	1	0400205	SCREW, 1/2"-13 X 3" HEX HD CAP
13	10	0400306	SCREW, 7/8"-9 X 3" HEX HD CAP
14	6	0400379	NUT, 5/16"-18 "J" TINNERMAN
15	4	0400382	NUT, 5/16"-18 NYLOK HEX
16	14	0400392	NUT, 3/8"-16 NYLOK HEX
17	2	0400408	NUT, 1/2"-13 NYLOK HEX
18	10	0400437	NUT, 7/8"-9 NYLOK HEX
19	6	0400452	LOCKWASHER, 1/4" HELICAL
20	8	0400463	WASHER, 5/16" FLAT
21	6	0400464	LOCKWASHER, 5/16" HELICAL
22	4	0400480	WASHER, 3/8" FLAT
23	9	0400482	LOCKWASHER, 3/8" HELICAL
24	24	0400491	LOCKWASHER, 1/2" HELICAL
25	9	0400492	WASHER, 1/2" FLAT
26	2	0400508	LOCKWASHER, 5/8" HELICAL
27	1	9011014	PLUG, 1/4 NPT
28	1	9018142	GLADHAND, BLUE COLLAR
29	1	9018143	GLADHAND, RED COLLAR
30	2	9018171	BULKHEAD FITTING
31	5	9041402	SCREW, 1/2"-13 X 1-1/4" HEX HD CAP
32	6	9043477	SCREW, 5/16"-18 X 1" SKT HD CAP

REF. NO.	NO. REQ'D	PART NUMBER	DESCRIPTION
33	6	9043827	SCREW, #10-32 X 3/4"
34	2	9043950	SCREW, 5/8"-11 X 1-1/2" HEX HD CAP
35	2	9053041	BEARING, SPHERICAL
36	8	9054150	RETAINING RING, 1-1/2"
37	1	9401408	INSPECTION COVER
38	1	9401418	DIPSTICK WELDMENT
39	17	9402970	TOOLBOX MOUNTING PAD
40	8	94310004	TOOLBOX MOUNTING WASHER
41	2	915040002	THRUST WASHER
42	2	915351500	LOWER PIN WELDMENT, LIFT CYLINDER
43	1	915780500	HYDRAULIC TANK
44	1	916200000	SUBFRAME WELDMENT
45	2	920051108	GUIDE PAD, NYLATRON
46	6	920400003	WASHER PLATE
47	2	920400521	REINFORCING CHANNEL
48	2	920900007	STIFF LEG PIN, LOWER
49	2	930020001	SPACER PLATE, STIFF LEG
50	1	930020002	STIFF LEG COVER PLATE, LH
51	1	930020003	STIFF LEG COVER PLATE, RH
52	1	930202500	PIVOT BLOCK WELDMENT, LH
53	2	930202504	TIE PLATE, BOOM PIVOT
54	4	930202505	WASHER PLATE, BOOM PIVOT
55	1	930209500	PIVOT BLOCK WELDMENT, RH
56	1	930220000	INNER STIFF LEG, LH
57	1	930227000	INNER STIFF LEG, RH
58	2	930350001	STIFF LEG PIN, UPPER
59	2	945720000	STIFF LEG CYLINDER
60	1	945801000	MAIN JUNCTION BOX
61	1	946402501	TOP PANEL COVER, DCV
62	1	946402600	REAR PANEL COVER, DCV
63	1	946402700	FRONT PANEL COVER, DCV

Section VI - PARTS (cont'd) OUTER BOOM ASSEMBLY



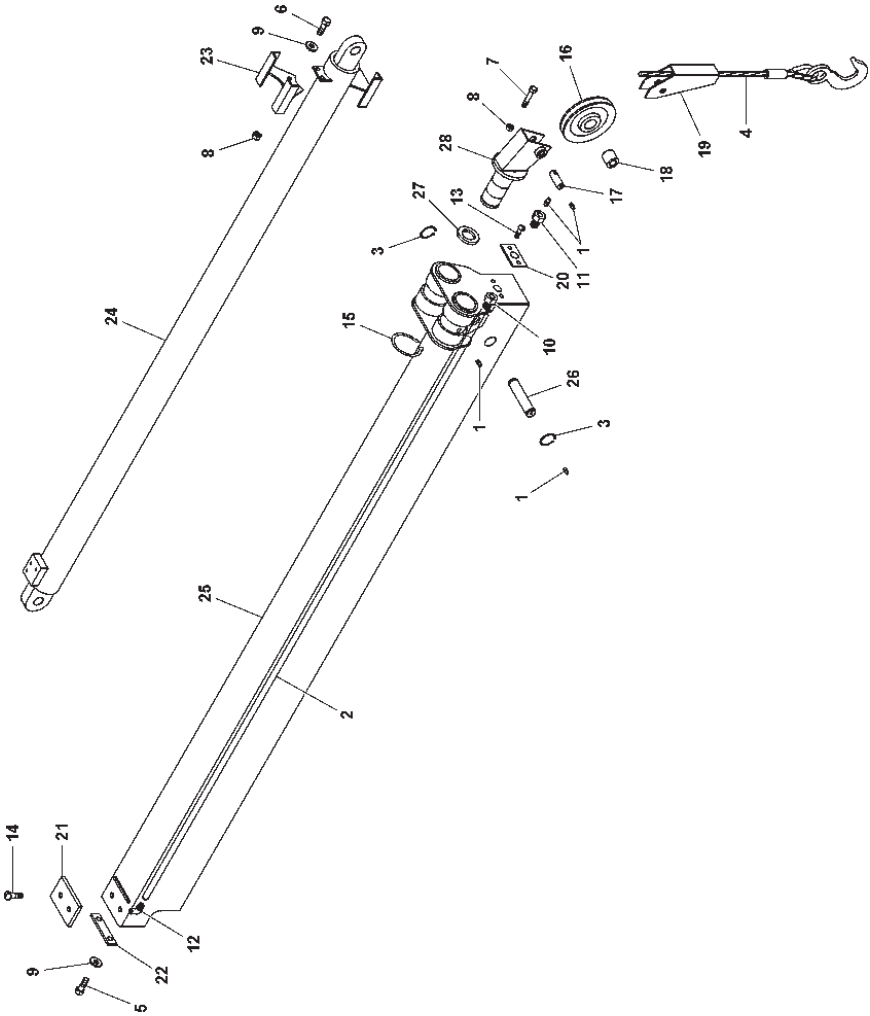
Section VI - PARTS (cont'd)

OUTER BOOM ASSEMBLY

REF. NO.	NO. REQ'D	PART NUMBER	DESCRIPTION
1	2	0301895	GREASE FITTING, 1/8" STR
2	4	0400066	SCREW, 1/4"-20 X 3/4" HEX HD CAP
3	2	0400424	NUT, 5/8"-18 HEX
4	4	0400426	NUT, 5/8"-11 NYLOK HEX
5	4	0400452	LOCKWASHER, 1/4" HELICAL
6	1	0400491	LOCKWASHER, 1/2" HELICAL
7	1	0400492	WASHER, 1/2" FLAT
8	2	0400505	WASHER, 5/8" FLAT
9	1	9041403	SCREW, 1/2"-13 X 1-1/2" HEX HD CAP
10	2	9043605	SCREW, 5/8"-18 X 2" SKT HD CAP
11	2	9043975	SCREW, 5/8"-11 X 3-1/2" HEX HD CAP
12	2	9044409	SCREW, 5/8"-11 X 2-1/4" HEX HD CAP
13	2	9048800	WELDLESS CHAIN LINK, 5/8"
14	2	9056150	RETAINING RING, 1-1/2"
15	2	915040002	THRUST WASHER
16	2	915290506	BRONZE BUSHING
17	1	915350500	PIN WELDMENT, TILT CYLINDER UPPER
18	2	915352000	PIN WELDMENT, LOWER LIFT CYLINDER
19	2	915735000	LIFT CYLINDER
20	1	916040004	WEAR PAD, LOWER
21	1	916250000	OUTER BOOM
22	1	916350001	PIN, BOOM EXTENSION CYLINDER
23	1	920255003	SPACER, LOCK PIN WELDMENT
24	1	930290002	COVER PLATE, VERTICAL BOOM
25	2	945030007	CABLE TIE BACK SPRING
26	2	945040001	SPACER, MAIN BOOM PIVOT
27	1	945350001	PIVOT PIN, MAIN BOOM

Section VI - PARTS (cont'd)

INNER BOOM ASSEMBLY



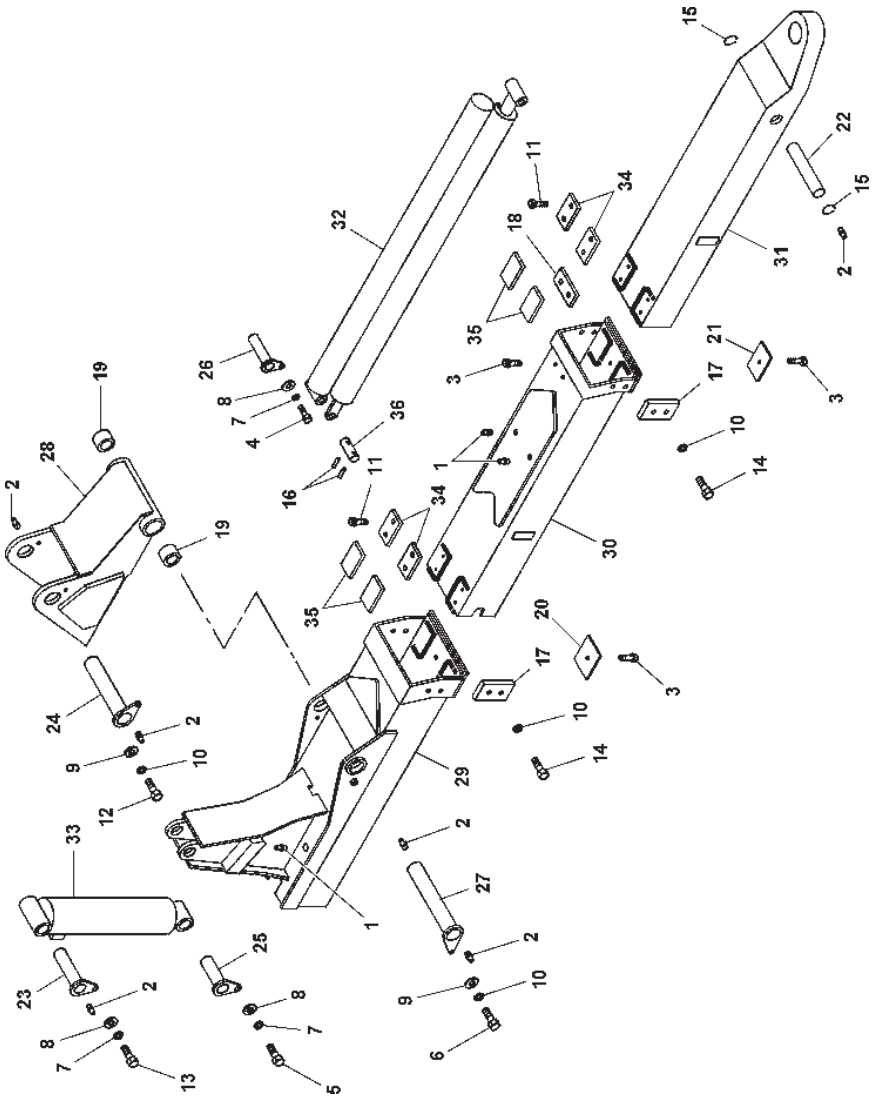
Section VI - PARTS (cont'd)

INNER BOOM ASSEMBLY

REF. NO.	NO. REQ'D	PART NUMBER	DESCRIPTION
1	6	0301895	GREASE FITTING, 1/8" STR
2	14 FT.	0301949	SYNFLEX HOSE, 3/8"
3	2	0301959	RETAINING RING, 1-1/2"
4	2	0306899	WINCH CABLE, 5/8" X 200' 6x37 IWRC XIPS
5	2	0400126	SCREW, 3/8"-16 X 1" HEX HD CAP
6	2	0400132	SCREW, 3/8"-16 X 1-1/2" HEX HD CAP
7	2	0400140	SCREW, 3/8"-16 X 4" HEX HD CAP
8	4	0400392	NUT, 3/8"-16 NYLOK HEX
9	2	0400482	LOCKWASHER, 3/8" HELICAL
10	1	9012549	CONNECTOR, 3/8" TUBE X 1/8" NPT
11	1	9012552	BULKHEAD COUPLING, 1/8"
12	1	9012584	ELBOW, 1/4" NPT X 3/8" TUBE 90
13	2	9043827	SCREW, #10-32 X 5/8" PAN HD PH HD
14	2	9044434	SCREW, 3/8"-16 X 1" FL SKT HD
15	2	9055400	RETAINING RING, 4"
16	2	9401002	SMALL SHEAVE
17	2	9401004	PIN, SHEAVE
18	2	9401007	BUSHING
19	2	9401070	CABLE GUIDE WELDMENT
20	1	9403411	LUBRICATOR MOUNTING PLATE
21	1	915030004	WEAR PAD, UPPER
22	1	915040001	PAD RETAINING PLATE, UPPER PAD
23	1	915040400	SPIDER CLAMP WELDMENT, TOP
24	1	0307082	EXTENSION CYLINDER
25	1	916280000	INNER BOOM WELDMENT
26	1	916350001	PIN, EXTENSION CYLINDER REAR
27	2	920100001	SPACER, SHEAVE
28	2	920101000	SHEAVE PIVOT WELDMENT

Section VI - PARTS (cont'd)

UNDERLIFT ASSEMBLY



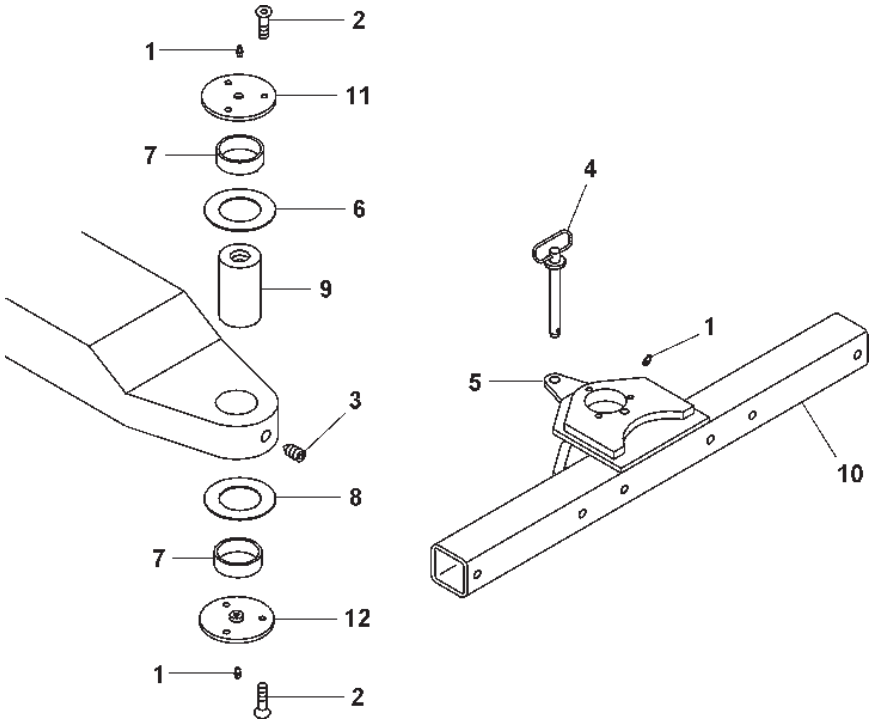
Section VI - PARTS (cont'd)

UNDERLIFT ASSEMBLY

REF. NO.	NO. REQ'D	PART NUMBER	DESCRIPTION
1	4	0300113	GREASE FITTING, 1/4"-28
2	5	0301895	GREASE FITTING, STR 1/8" NPT
3	3	0400134	SCREW, 3/8"-16 X 1" FL HD SKT
4	1	0400176	SCREW, 1/2"-13 X 1" HEX HD CAP
5	1	0400177	SCREW, 1/2"-13 X 1-1/4" HEX HD CAP
6	1	0400248	SCREW, 5/8"-11 X 1" HEX HD CAP
7	3	0400491	LOCKWASHER, 1/2" HELICAL
8	3	0400492	WASHER, 1/2" FLAT
9	2	0400505	WASHER, 5/8" SAE FLAT
10	10	0400508	LOCKWASHER, 5/8" HELICAL
11	8	0400594	SCREW, 1/4"-20 X 5/8" SKT FL HD
12	1	9040602	SCREW, 5/8"-11 X 1-1/4" HEX HD CAP
13	1	9041403	SCREW, 1/2"-13 X 1-1/2" HEX HD CAP
14	8	9044471	SCREW, 5/8"-18 X 1-1/4" HEX HD CAP
15	2	9056137	RETAINING RING, 1-3/8"
16	2	9046315	ROLL PIN, 3/16" DIA X 1-3/4" LG
17	4	915150002	STOP PAD (FOLDING BOOM)
18	1	915150003	SPACER (1ST STAGE STINGER)
19	2	915300006	BRONZE BUSHING
20	1	915310006	BOTTOM PAD HOLDER
21	1	915320013	BOTTOM PAD HOLDER
22	1	915350006	PIN, STINGER EXTEND CYLINDER
23	1	915350500	UPPER PIN WELDMENT
24	1	915351000	SHAFT WELDMENT, PIVOT FOOT PIVOT
25	1	915351500	LOWER TILT CYLINDER PIN WELDMENT
26	1	915352500	FRONT MOUNTING PIN WELDMENT
27	1	915353000	SHAFT WELDMENT, FOLDING BOOM PIVOT
28	1	916300000	PIVOT FOOT WELDMENT
29	1	916310000	FOLDING BOOM WELDMENT
30	1	916320000	1ST STAGE STINGER WELDMENT
31	1	916330000	2ND STAGE STINGER WELDMENT
32	1	916720000	STINGER EXTENSION CYLINDER
33	1	916740000	TILT CYLINDER
34	4	930150003	TOP PAD
35	4	930150004	BOTTOM PAD
36	1	930150011	PIN (CYLINDER STIFFENER PLATE)

Section VI - PARTS (cont'd)

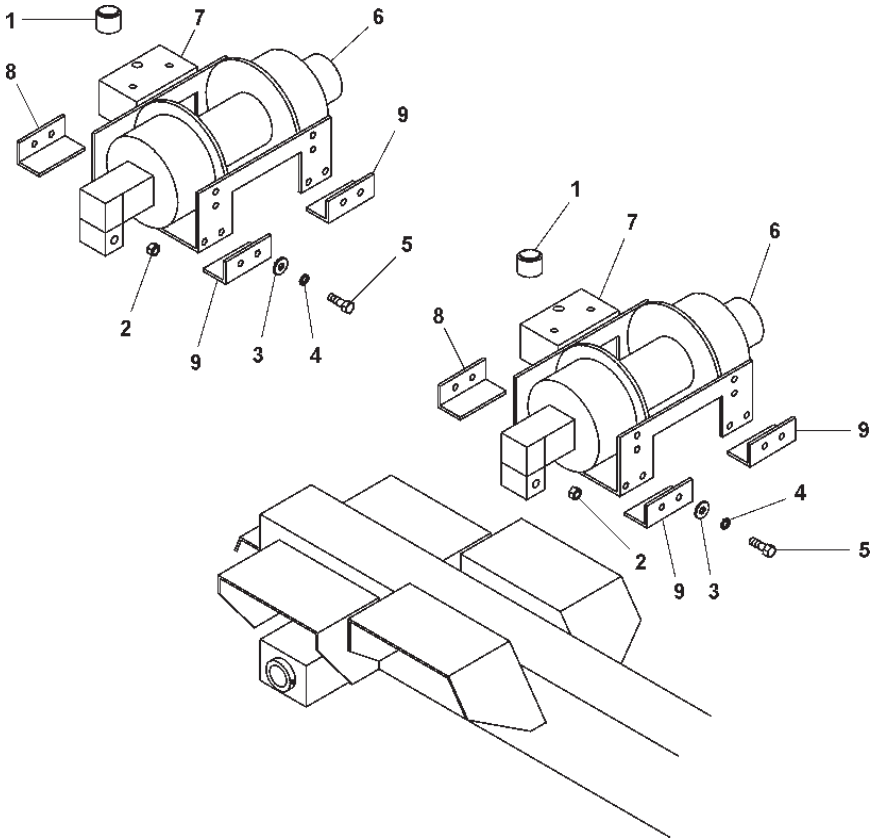
CROSSBAR ASSEMBLY



REF. NO.	NO. REQ'D	PART NUMBER	DESCRIPTION
1	3	0301895	GREASE FITTING, STR 1/8" NPT
2	6	9043800	SCREW, 1/2"-13 X 3/4" FL HD SKT
3	1	9044170	SCREW, 1"-8 X 1-1/2" SKT SET
4	1	9046563	HITCH PIN, 7/8" X 6-1/2"
5	1	915150004	LUG PLATE
6	1	915150005	THRUST WASHER
7	2	945510006	BEARING
8	1	945510007	THRUST WASHER
9	1	946350005	CROSSBAR PIVOT PIN
10	1	946570500	5" CROSSBAR WELDMENT
11	1	946571000	TOP COVER PLATE WELDMENT
12	1	946571100	BOTTOM COVER PLATE WELDMENT

Section VI - PARTS (cont'd)

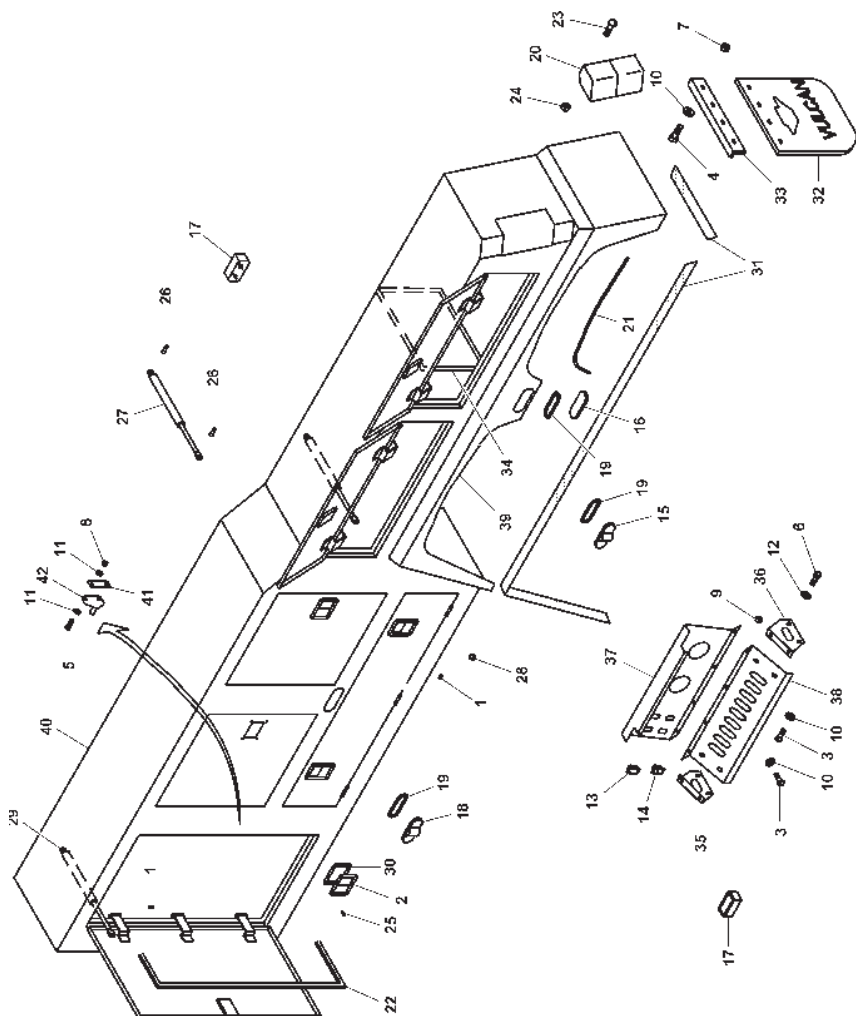
WINCH ASSEMBLY



REF. NO.	NO. REQ'D	PART NUMBER	DESCRIPTION
1	4	0304566	AIR BAG, CABLE TENSIONER
2	16	0400421	NUT, 5/8"-11 NYLOK HEX
3	16	0400505	WASHER, 5/8" FLAT
4	16	0400508	LOCKWASHER, 5/8" HELICAL
5	16	9044479	SCREW, 5/8"-11 X 1-3/4" HEX HD CAP
6	2	9048241	WINCH, 25K PLANETARY
	1	9048469	WINCH, 25K WORM LH
	1	9048470	WINCH, 25K WORM RH
7	2	174006210	CABLE TENSIONER
8	4	916040001	WINCH MOUNTING ANGLE, FRONT
9	4	916040002	WINCH MOUNTING ANGLE, REAR

Section VI - PARTS (cont'd)

LEFT HAND TOOLBOX ASSEMBLY



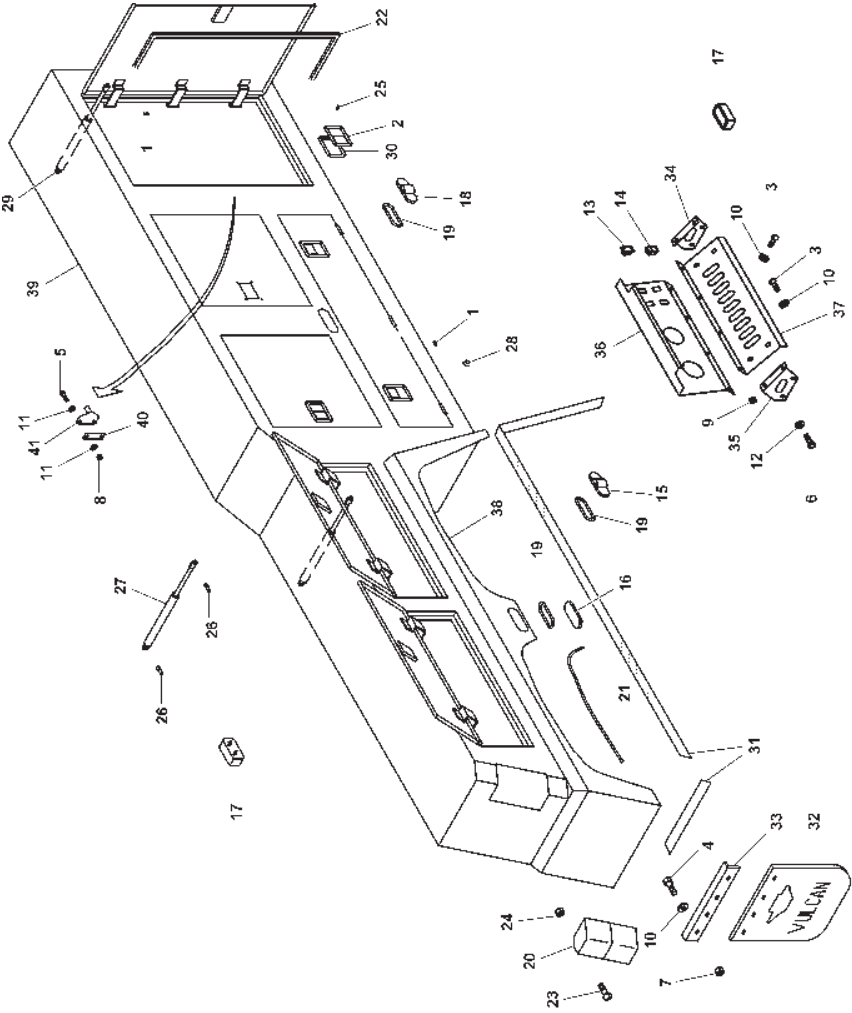
Section VI - PARTS (cont'd)

LEFT HAND TOOLBOX ASSEMBLY

REF. NO.	NO. REQ'D	PART NUMBER	DESCRIPTION
1	14	0300113	GREASE FITTING, 1/4"-28
2	7	0303120	LATCH PADDLE
3	8	0400066	SCREW, 1/4"-20 X 3/4" HEX HD CAP
4	4	0400070	SCREW, 1/4"-20 X 1" HEX HD CAP
5	14	0400109	SCREW, 5/16"-18 X 1" HEX HD CAP
6	4	0400126	SCREW, 3/8"-16 X 1" HEX HD CAP
7	4	0400367	NUT, 1/4"-20 NYLOK HEX
8	14	0400382	NUT, 5/16"-18 NYLOK HEX
9	4	0400392	NUT, 3/8"-16 NYLOK HEX
10	8	0400451	WASHER, 1/4" FLAT
11	28	0400463	WASHER, 5/16" FLAT
12	4	0400480	WASHER, 3/8" FLAT
13	1	9024011	INDICATOR LIGHT, AMBER
14	3	9024041	SWITCH, SEALED
15	1	9025060	CLEARANCE LIGHT, AMBER
16	1	9025070	BACK UP LIGHT
17	9	9025073	LIGHT, TOOLBOX (DOME)
18	2	9025087	TAIL LIGHT ASSEMBLY, RED
19	3	9025107	GROMMET, LIGHT
20	1	9025120	MARKER LIGHT, TURN SIGNAL
21	9 FT.	9032114	RUBBER TRIM
22	50 FT.	9032157	RUBBER SEAL, 7/16" X 1/8"
23	8	9042312	SCREW, #10-32 X 1-1/4" RD HD MACH
24	8	9043394	NUT, #10-32 NYLOK HEX
25	28	9043980	SCREW, #8-32 X 3/4" ONE WAY
26	10	9048175	GAS STRUT, 5/16" BALL STUD
27	2	9048589	GAS STRUT, 1/8" EXT.
28	2	9048686	BUMPER, SCREW 1" X 1/2" X #10-24 THD
29	3	9048759	GAS STRUT
30	7	9049016	RUBBER GASKET (FOR PADDLE LATCH)
31	11 FT.	9061802	RUBBER STRIP, 3/32" X 1-1/4"
32	1	94320052	MUDFLAP
33	1	920400005	MUDFLAP BRACE PLATE
34	1	920400515	INSIDE PANEL, REAR TOOL BOX
35	1	930400300	MOUNTING ANGLE, LH DCV COVER
36	1	930400400	MOUNTING ANGLE, RH DCV COVER
37	1	930400016	UPPER PANEL, DCV
38	1	930400200	LOWER PANEL WELDMENT, DCV
39	1	945070500	LH FENDER WELL WELDMENT, 52"
40	1	945390500	TOOLBOX WELDMENT, LH 160
41	7	945400518	WASHER PLATE, STRIKER PIN WELDMENT
42	7	945400800	STRIKER PIN WELDMENT

Section VI - PARTS (cont'd)

RIGHT HAND TOOLBOX ASSEMBLY



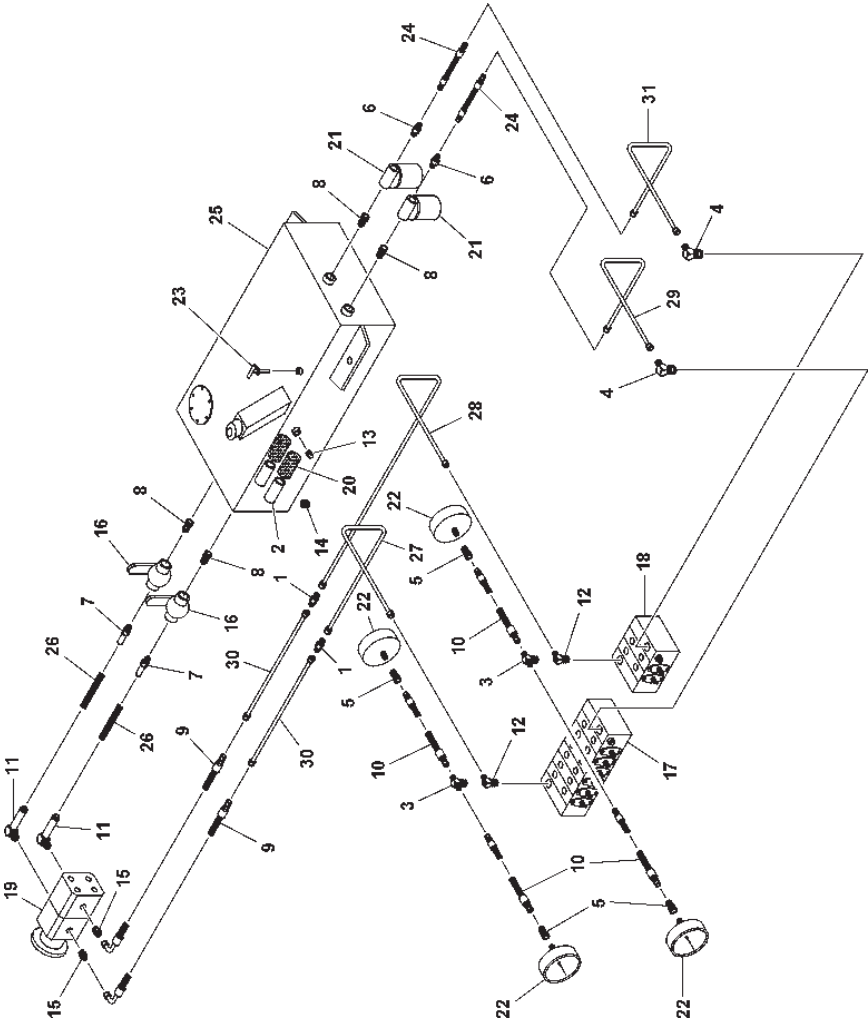
Section VI - PARTS (cont'd)

RIGHT HAND TOOLBOX ASSEMBLY

REF. NO.	NO. REQ'D	PART NUMBER	DESCRIPTION
1	14	0300113	GREASE FITTING, 1/4"-28
2	7	0303120	LATCH PADDLE
3	8	0400066	SCREW, 1/4"-20 X 3/4" HEX HD CAP
4	4	0400070	SCREW, 1/4"-20 X 1" HEX HD CAP
5	14	0400109	SCREW, 5/16"-18 X 1" HEX HD CAP
6	4	0400126	SCREW, 3/8"-16 X 1" HEX HD CAP
7	4	0400367	NUT, 1/4"-20 NYLOK HEX
8	14	0400382	NUT, 5/16"-18 NYLOK HEX
9	4	0400392	NUT, 3/8"-16 NYLOK HEX
10	8	0400451	WASHER, 1/4" FLAT
11	28	0400463	WASHER, 5/16" FLAT
12	4	0400480	WASHER, 3/8" FLAT
13	1	9024011	INDICATOR LIGHT, AMBER
14	3	9024041	SWITCH, SEALED
15	1	9025060	CLEARANCE LIGHT, AMBER
16	1	9025070	BACK UP LIGHT
17	9	9025073	LIGHT, TOOLBOX (DOME)
18	2	9025087	TAIL LIGHT ASSEMBLY, RED
19	3	9025107	GROMMET, LIGHT
20	1	9025120	MARKER LIGHT, TURN SIGNAL
21	9 FT.	9032114	RUBBER TRIM
22	50 FT.	9032157	RUBBER SEAL, 7/16" X 1/8"
23	8	9042312	SCREW, #10-32 X 1-1/4" RD HD MACH
24	8	9043394	NUT, #10-32 NYLOK HEX
25	28	9043980	SCREW, #8-32 X 3/4" ONE WAY
26	10	9048175	GAS STRUT, 5/16" BALL STUD
27	2	9048589	GAS STRUT, 1/8" EXT.
28	2	9048686	BUMPER, SCREW 1" X 1/2" X #10-24 THD
29	3	9048759	GAS STRUT
30	7	9049016	RUBBER GASKET (FOR PADDLE LATCH)
31	11 FT.	9061802	RUBBER STRIP, 3/32" X 1-1/4"
32	1	94320052	MUDFLAP
33	1	920400005	MUDFLAP BRACE PLATE
34	1	930400300	MOUNTING ANGLE, LH DCV COVER
35	1	930400400	MOUNTING ANGLE, RH DCV COVER
36	1	930400016	UPPER PANEL, DCV
37	1	930400200	LOWER PANEL WELDMENT, DCV
38	1	945077500	RH FENDER WELL WELDMENT, 52"
39	1	945397500	TOOLBOX WELDMENT, RH 160
40	7	945400518	WASHER PLATE, STRIKER PIN WELDMENT
41	7	945400800	STRIKER PIN WELDMENT

Section VI - PARTS (cont'd)

SUBFRAME HYDRAULICS



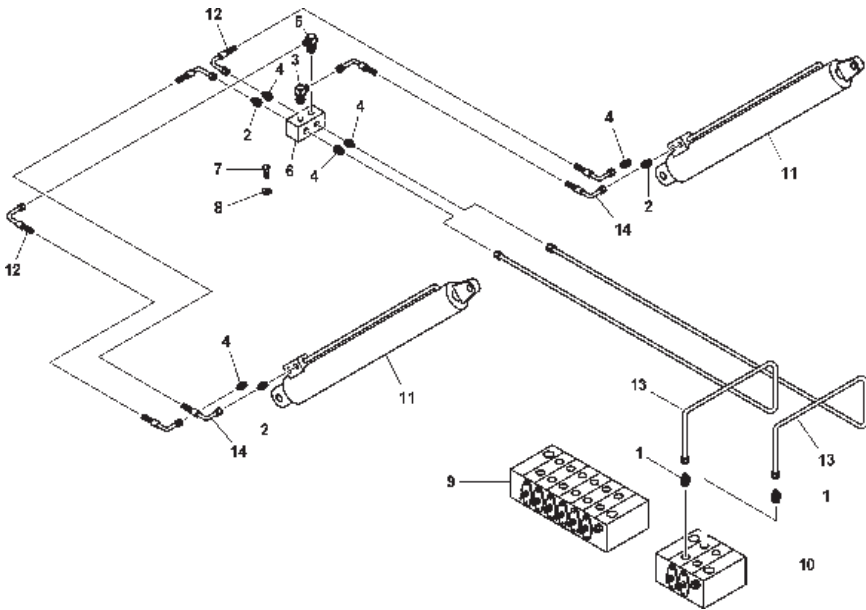
Section VI - PARTS (cont'd)

SUBFRAME HYDRAULICS

REF. NO.	NO. REQ'D	PART NUMBER	DESCRIPTION
1	2	0300649	UNION, 12MJ-12MJ
2	2	0301611	STRAINER PIPE, 1-1/4"
3	2	0301619	BRANCH TEE, 6MJ-6MJ-6MB
4	2	0302083	ELBOW, 16MJ-12MB90
5	4	0302577	CONNECTOR, 6MJ-4FP
6	2	0302696	CONNECTOR, 16MJ-20MP
7	2	0302698	HOSE BARB, 20HOSE-20MP
8	4	0302699	PIPE NIPPLE, 1-1/4" X 2"
9	2	0302901	HOSE ASSEMBLY, 120"
10	4	0303394	HOSE ASSEMBLY, 46"
11	2	0306539	HOSE BARB, 20HOSE-16MB90
12	2	0306984	ELBOW, 12MJ-12MB90
13	1	9011014	PIPE PLUG, 1/4"
14	1	9012913	PIPE PLUG, 3/4" (MAGNETIC)
15	2	9012968	CONNECTOR, 12MJ-16MB
16	2	9015571	BALL VALVE, 1-1/4"
17	1	9016021	DIR. CONTROL VALVE, 6-SPOOL
18	1	9016022	DIR. CONTROL VALVE, 2-SPOOL
19	1	9016815	HYDRAULIC PUMP
20	2	9018139	SUCTION STRAINER
21	2	9018140	OIL FILTER
22	4	9019043	GUAGE, FLUSH MOUNT, 6000 PSI
23	1	9401418	DIP STICK WELDMENT
24	2	915770017	HOSE ASSEMBLY
25	1	915780500	HYDRAULIC TANK WELDMENT
26	2	920981901	SUCTION HOSE ASSEMBLY
27	1	946760001	HYDRAULIC TUBE, PRESSURE FRONT
28	1	946760002	HYDRAULIC TUBE, PRESSURE REAR
29	1	946760012	HYDRAULIC TUBE, RETURN LINE FRONT
30	2	946760016	HYDRAULIC TUBE
31	1	946760021	HYDRAULIC TUBE, RETURN LINE REAR

Section VI - PARTS (cont'd)

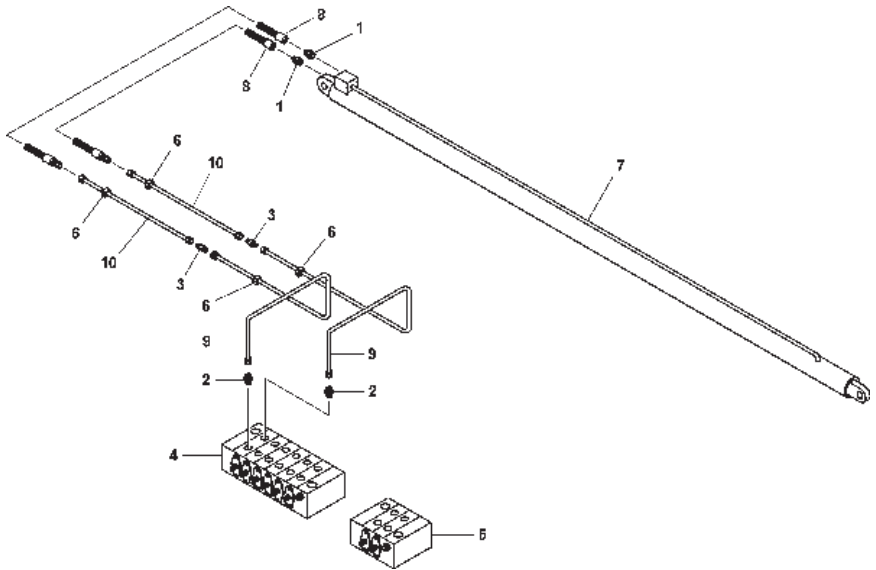
BOOM LIFT HYDRAULICS



REF. NO.	NO. REQ'D	PART NUMBER	DESCRIPTION
1	2	0301376	CONNECTOR, 8MJ-10MB
2	3	0301522	CONNECTOR, 6MJ-6MB
3	1	0301620	ELBOW, 6MJ-6MB90
4	5	0302275	CONNECTOR, 8MJ-6MB
5	1	0302276	ELBOW, 8MJ-6MB90
6	1	0306700	TRANSITION BLOCK
7	2	0400236	SCREW, 1/4"-20 X 1-3/4" HEX HD CAP
8	2	0400452	LOCKWASHER, 1/4" HELICAL
9	1	9016021	DIR. CONTROL VALVE, 6-SPOOL
10	1	9016022	DIR. CONTROL VALVE, 2-SPOOL
11	2	915735000	LIFT CYLINDER
12	2	915770002	HOSE ASSEMBLY
13	2	946760015	HYDRAULIC TUBE, BOOM LIFT
14	2	946770001	HOSE ASSEMBLY

Section VI - PARTS (cont'd)

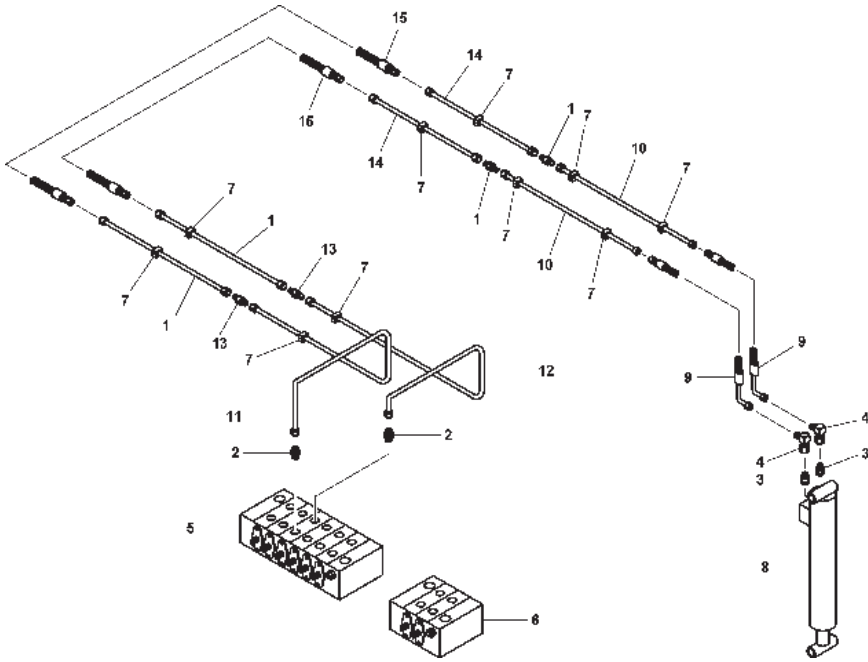
BOOM EXTEND HYDRAULICS



REF. NO.	NO. REQ'D	PART NUMBER	DESCRIPTION
1	2	0302275	CONNECTOR, 8MJ-6MB
2	2	0302827	CONNECTOR, 10MJ-10MB
3	2	0307003	UNION, 10MJ-10MJ
4	1	9016021	DIR. CONTROL VALVE, 6-SPOOL
5	1	9016022	DIR. CONTROL VALVE, 2-SPOOL
6	4	9018254	TUBE CLAMP, 5/8"
7	1	915715000	EXTENSION CYLINDER
8	2	945770007	HOSE ASSEMBLY
9	2	946760003	HYDRAULIC TUBE, BOOM EXT
10	2	946760017	HYDRAULIC TUBE

Section VI - PARTS (cont'd)

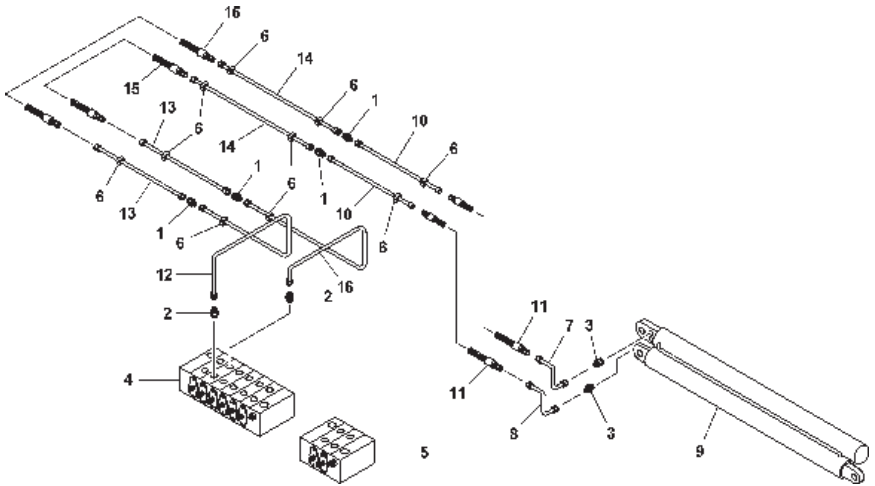
UNDERLIFT TILT HYDRAULICS



REF. NO.	NO. REQ'D	PART NUMBER	DESCRIPTION
1	4	0300865	UNION, 8MJ-8MJ
2	2	0301376	CONNECTOR, 8MJ-10MB
3	2	0301522	CONNECTOR, 6MJ-6MB
4	2	0301696	ELBOW, 6MJ-6FJX90
5	1	9016021	DIR. CONTROL VALVE, 6-SPOOL
6	1	9016022	DIR. CONTROL VALVE, 2-SPOOL
7	10	9018255	TUBE CLAMP, 1/2"
8	1	915740000	UNDERLIFT TILT CYLINDER
9	2	915770008	HOSE ASSEMBLY
10	2	916760001	HYDRAULIC TUBE
11	1	946760006	HYDRAULIC TUBE, TILT PORT A
12	1	946760007	HYDRAULIC TUBE, TILT PORT B
13	2	946760018	HYDRAULIC TUBE
14	2	946760019	HYDRAULIC TUBE, UNDER BOOM SUPPLY
15	2	946770003	HOSE ASSEMBLY

Section VI - PARTS (cont'd)

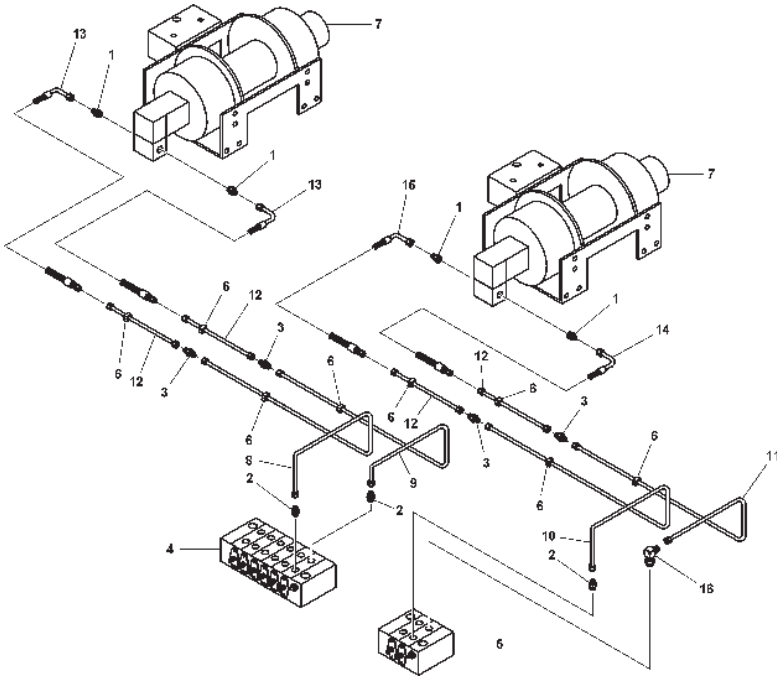
UNDERLIFT EXTEND HYDRAULICS



REF. NO.	NO. REQ'D	PART NUMBER	DESCRIPTION
1	4	0300865	UNION, 8MJ-8MJ
2	2	0301376	CONNECTOR, 8MJ-10MB
3	2	9012510	CONNECTOR, 9/16" SAE X 3/8" TUBE
4	1	9016021	DIR. CONTROL VALVE, 6-SPOOL
5	1	9016022	DIR. CONTROL VALVE, 2-SPOOL
6	10	9018255	TUBE CLAMP, 1/2"
7	1	915760022	HYDRAULIC TUBE (UPPER)
8	1	915760023	HYDRAULIC TUBE (LOWER)
9	1	916720000	UNDERLIFT EXTENSION CYLINDER
10	2	916760001	HYDRAULIC TUBE
11	2	916770001	HOSE ASSEMBLY
12	1	946760004	HYDRAULIC TUBE
13	2	946760018	HYDRAULIC TUBE
14	2	946760019	HYDRAULIC TUBE, UNDER BOOM SUPPLY
15	2	946770003	HOSE ASSEMBLY
16	1	946770005	HYDRAULIC TUBE

Section VI - PARTS (cont'd)

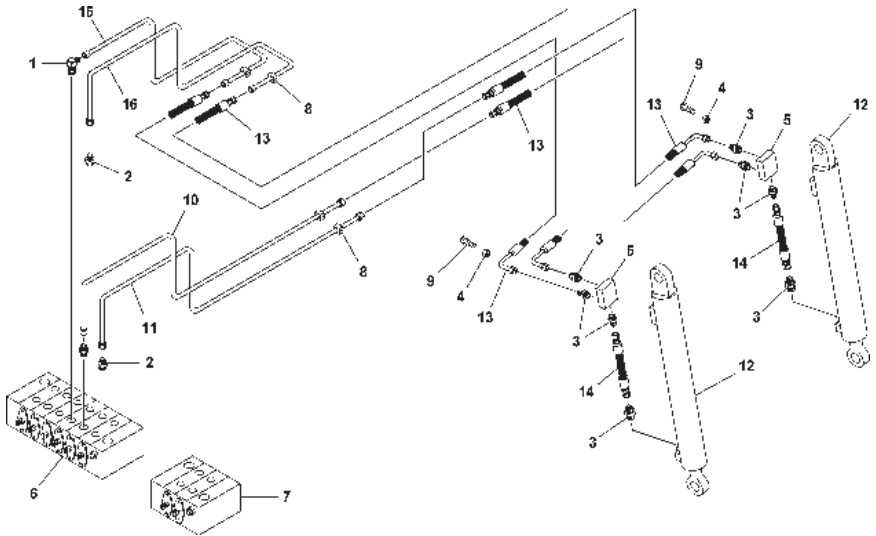
WINCH HYDRAULICS



REF. NO.	NO. REQ'D	PART NUMBER	DESCRIPTION
1	4	0300041	CONNECTOR, 8MJ-8MB
2	3	0302827	ADAPTER, 10MJ-10MB
3	4	0307003	UNION, 10MJ-10MJ
4	1	9016021	DIR. CONTROL VALVE, 6-SPOOL
5	1	9016022	DIR. CONTROL VALVE, 2-SPOOL
6	8	9018254	TUBE CLAMP, 5/8"
7	2	9048241	WINCH, 25K
	1	9048469	WINCH, 25K WORM LH
	1	9048470	WINCH, 25K WORM RH
8	1	946760010	HYDRAULIC TUBE, FRONT WINCH PORT A
	1	946760011	HYDRAULIC TUBE, FRONT WINCH PORT B
9	1	946760013	HYDRAULIC TUBE, REAR WINCH PORT A
10	1	946760014	HYDRAULIC TUBE, REAR WINCH PORT B
11	1	946760017	HYDRAULIC TUBE
12	4	946770007	HOSE ASSEMBLY
13	2	946770008	HOSE ASSEMBLY
14	1	946770009	HOSE ASSEMBLY
15	1	GX263	ELBOW, 10MJ-10MB90
16	1		

Section VI - PARTS (cont'd)

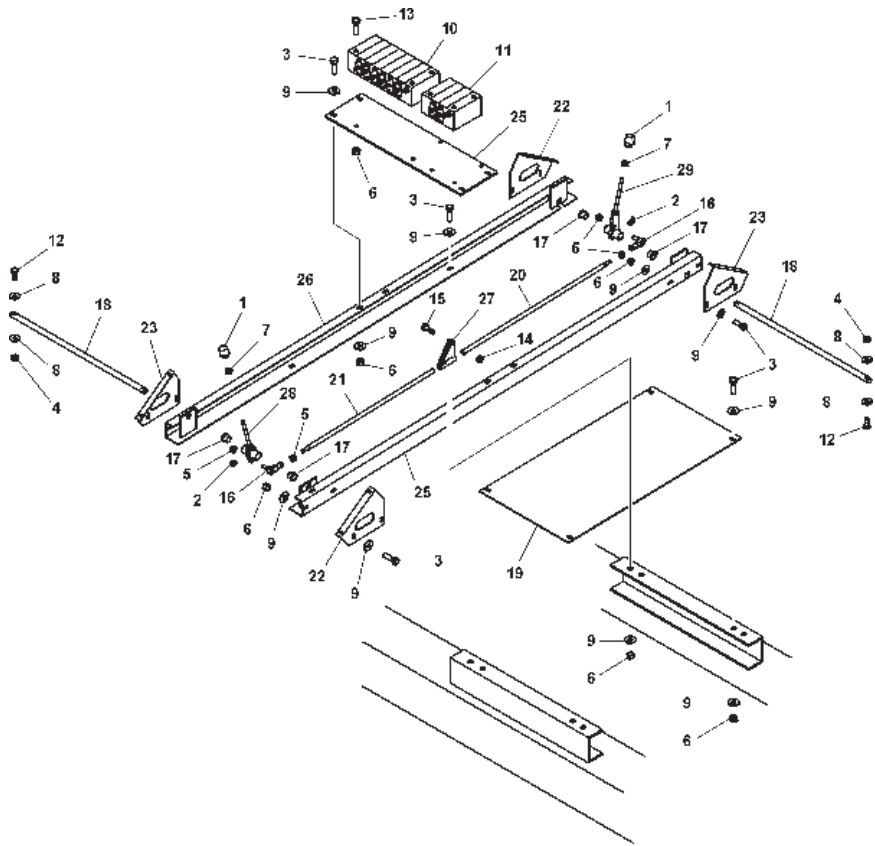
STIFF LEG HYDRAULICS



REF. NO.	NO. REQ'D	PART NUMBER	DESCRIPTION
1	1	0300052	ELBOW, 8MJ-10MB90
2	3	0301376	CONNECTOR, 8MJ-10MB
3	8	0301522	CONNECTOR, 6MJ-6MB
4	8	0400452	LOCKWASHER, 1/4" HELICAL
5	2	9015738	HOLDING VALVE
6	1	9016021	DIR. CONTROL VALVE, 6-SPOOL
7	1	9016022	DIR. CONTROL VALVE, 2-SPOOL
8	4	9018255	TUBE CLAMP, 1/2"
9	8	9041011	SCREW, 1/4"-20 X 2-1/2" HEX HD CAP
10	1	930760010	HYDRAULIC TUBE, RH STIFF LEG PORT A
11	1	930760011	HYDRAULIC TUBE, RH STIFF LEG PORT B
12	2	945720000	STIFF LEG CYLINDER
13	4	945770003	HOSE ASSEMBLY
14	2	945770016	HOSE ASSEMBLY
15	1	946760008	HYDRAULIC TUBE, LH STIFF LEG PORT A
16	1	946760009	HYDRAULIC TUBE, LH STIFF LEG PORT B

Section VI - PARTS (cont'd)

DUAL CONTROL ASSEMBLY



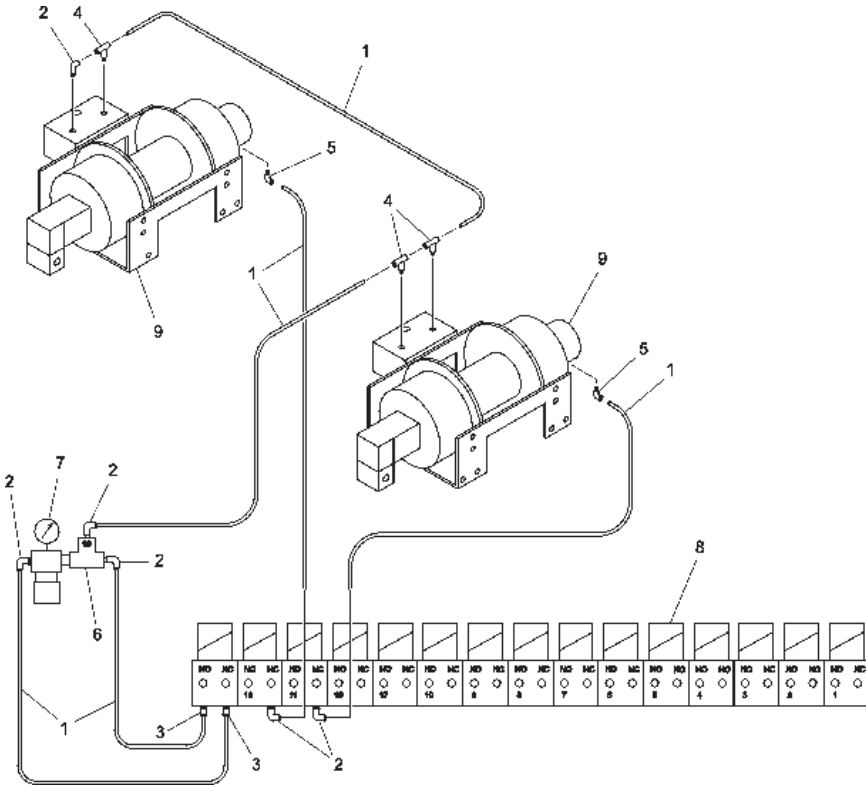
Section VI - PARTS (cont'd)

DUAL CONTROL ASSEMBLY

REF. NO.	NO. REQ'D	PART NUMBER	DESCRIPTION
1	12	0300341	CONTROL KNOB, BLACK
	4	0300834	CONTROL KNOB, RED
2	16	0301397	GREASE FITTING, 90°
3	20	0400126	SCREW, 3/8"-16 X 1" HEX HD CAP
4	4	0400382	NUT, 5/16"-18 NYLOK HEX
5	32	0400387	NUT, 3/8"-24 HEX JAM
6	26	0400392	NUT, 3/8"-16 NYLOK HEX
7	16	0400393	NUT, 3/8"-16 HEX JAM
8	8	0400463	WASHER, 5/16" FLAT
9	40	0400480	WASHER, 3/8" FLAT
10	1	9016021	DIR. CONTROL VALVE, 6-SPOOL
11	1	9016022	DIR. CONTROL VALVE, 2-SPOOL
12	4	9041108	SCREW, 5/16"-18 X 1-3/4" HEX HD CAP
13	6	9041212	SCREW, 3/8"-16 X 2-3/4" HEX HD CAP
14	8	9043371	LOCKNUT, 6 MM
15	8	9043713	SKT SHOULDER BOLT, M8 x 20
16	16	9048513	SPERICAL ROD END
17	32	9053524	BRONZE BEARING, .752 X .879 X 3/4 FL
18	2	930400001	PIN, CONTROL HANDLE PIVOT
19	1	930400009	BOTTOM PLATE, DCV DUAL CONTROLS
20	8	930400012	RH CONTROL ROD (LONG), DCA
21	8	930400013	LH CONTROL ROD (SHORT), DCA
22	2	930400300	LH MTG ANGLE WELDMENT, DC
23	2	930400400	RH MTG ANGLE WELDMENT, DC
24	1	930400501	CONTROL VALVE MTG PLATE - DCV FRAME
25	1	946400600	CHANNEL WELDMENT REAR, DCV FRAME
26	1	946400700	CHANNEL WELDMENT FRONT, DCV FRAME
27	6	930402600	SHORT LUG WELDMENT, DCA
	2	930402700	LONG LUG WELDMENT, DCA
28	8	930403000	LH CONTROL HANDLE WELDMENT, DCA
29	8	930403500	RH CONTROL HANDLE WELDMENT, DCA

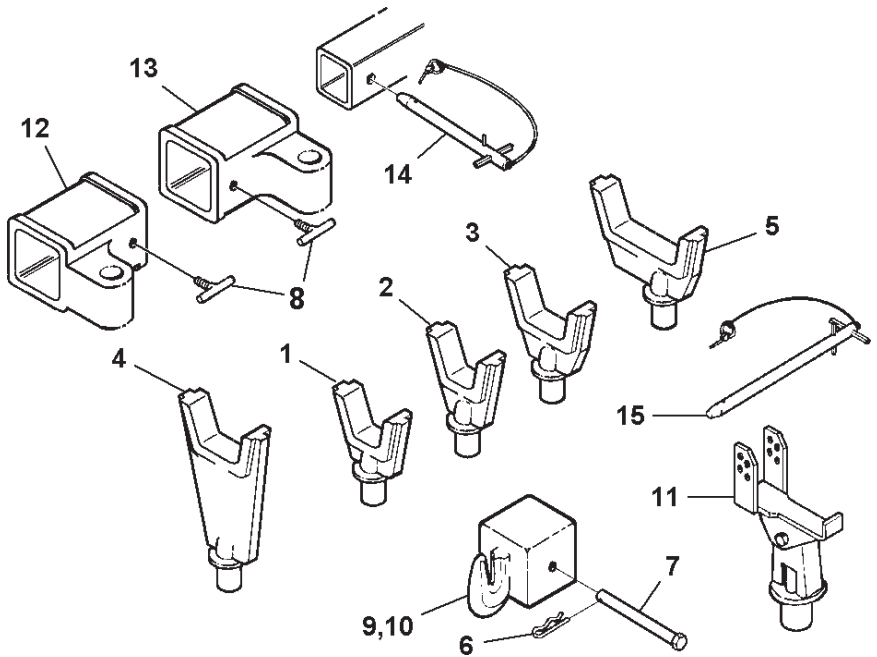
Section VI - PARTS (cont'd)

WINCH AIR FREE SPOOL & CABLE TENSIONERS



REF. NO.	NO. REQ'D	PART NUMBER	DESCRIPTION
1	105 FT.	0301577	PLASTIC TUBING, 1/4" O.D.
2	6	9012537	ELBOW, 4TB-2MP90
3	2	9012538	CONNECTOR
4	3	9012575	BRANCH TEE, 4TB-4TB-2MP
5	2	9012623	ELBOW, 4TB-2MP90
6	1	9015925	SHUTTLE VALVE
7	1	9019006	PRESSURE GAUGE
8	1	9024071	MANIFOLD ASSEMBLY, 15 STATION
9	2	9048241	WINCH, 25K

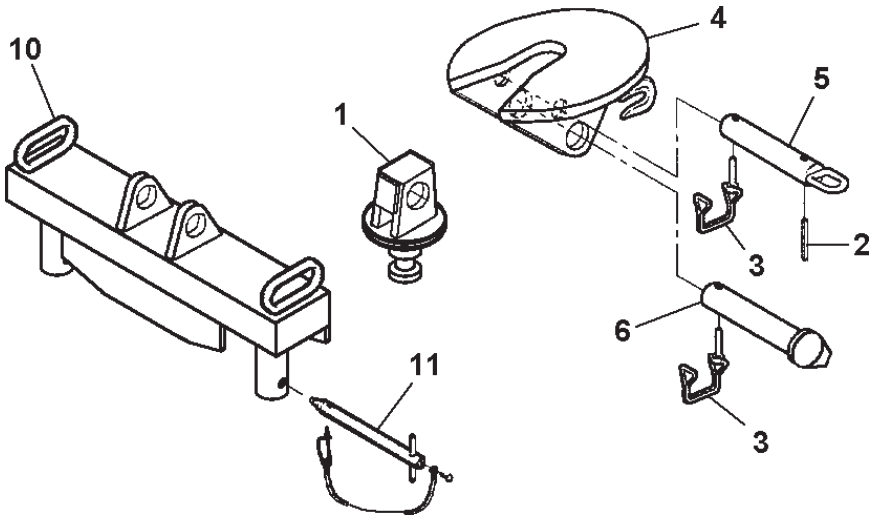
Section VI - PARTS (cont'd) LIFT ADAPTERS



REF. NO.	NO. REQ'D	PART NUMBER	DESCRIPTION
1	2	0200018	FORK, SHORT (3" OPENING)
2	2	0200020	FORK, MEDIUM (3" OPENING)
3	2	0200021	FORK, MEDIUM (4-1/2" OPENING)
4	2	0200023	FORK, LONG (4-1/2" OPENING)
5	2	0200024	FORK, OFFSET REAR AXLE
6	2	0400585	HAIR PIN COTTER, 1-1/4"
7	2	0711002	BOLT, MODIFIED 5/8"-11 X 6" WITH HOLE
8	2	0800590	TEE HANDLE, FORK ADAPTER
9	1	0801186	CHAIN HOOK ADAPTER, RT
10	1	0801187	CHAIN HOOK ADAPTER, LT
11	2	0802810	PIVOT PIN LIFT BRACKET
12	1	0803591	FORK ADAPTER, LT
13	1	0803592	FORK ADAPTER, RT
14	2	0900900	RETAINER PIN ASSEMBLY
15	2	0902321	RETAINING PIN, SPRING LIFT BRACKET

Section VI - PARTS (cont'd)

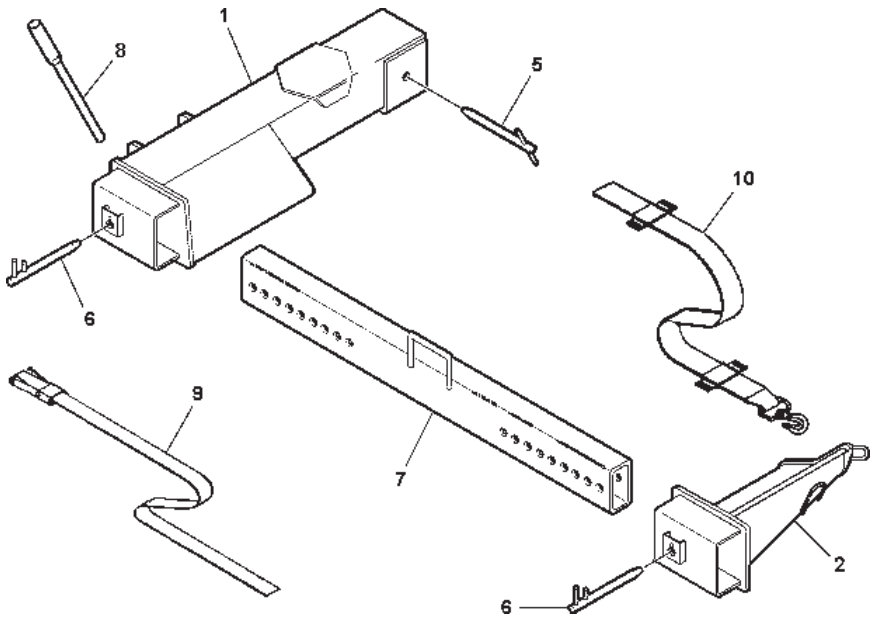
KING PIN ADAPTER



REF. NO.	NO. REQ'D	PART NUMBER	DESCRIPTION
1	1	0803605	KING PIN ADAPTER WELDMENT
	--	0902782	FIFTH WHEEL ADAPTER (COMPLETE)
2	1	0400555	ROLL PIN, 3/8" X 1-1/2"
3	2	HD1259	SNAPPER PIN
4	1	VA0660	FIFTH WHEEL PIVOT PLATE WELDMENT
5	1	VA0661	PULL PIN WELDMENT
6	1	VA0662	PIVOT PIN WELDMENT
	--	124002211	PINTLE HOOK KIT (COMPLETE)
7	1	0302198	PINTLE HOOK (NOT SHOWN)
8	4	0400176	SCREW, 1/2"-13 X 1" HEX HD CAP
9	4	0400491	LOCKWASHER, 1/2" HELICAL
10	1	0803604	5TH WHEEL, KING PIN ADAPTER & PINTLE HOOK BRACKET WELDMENT
11	2	0902378	RETAINING PIN ASSEMBLY

Section VI - PARTS (cont'd)

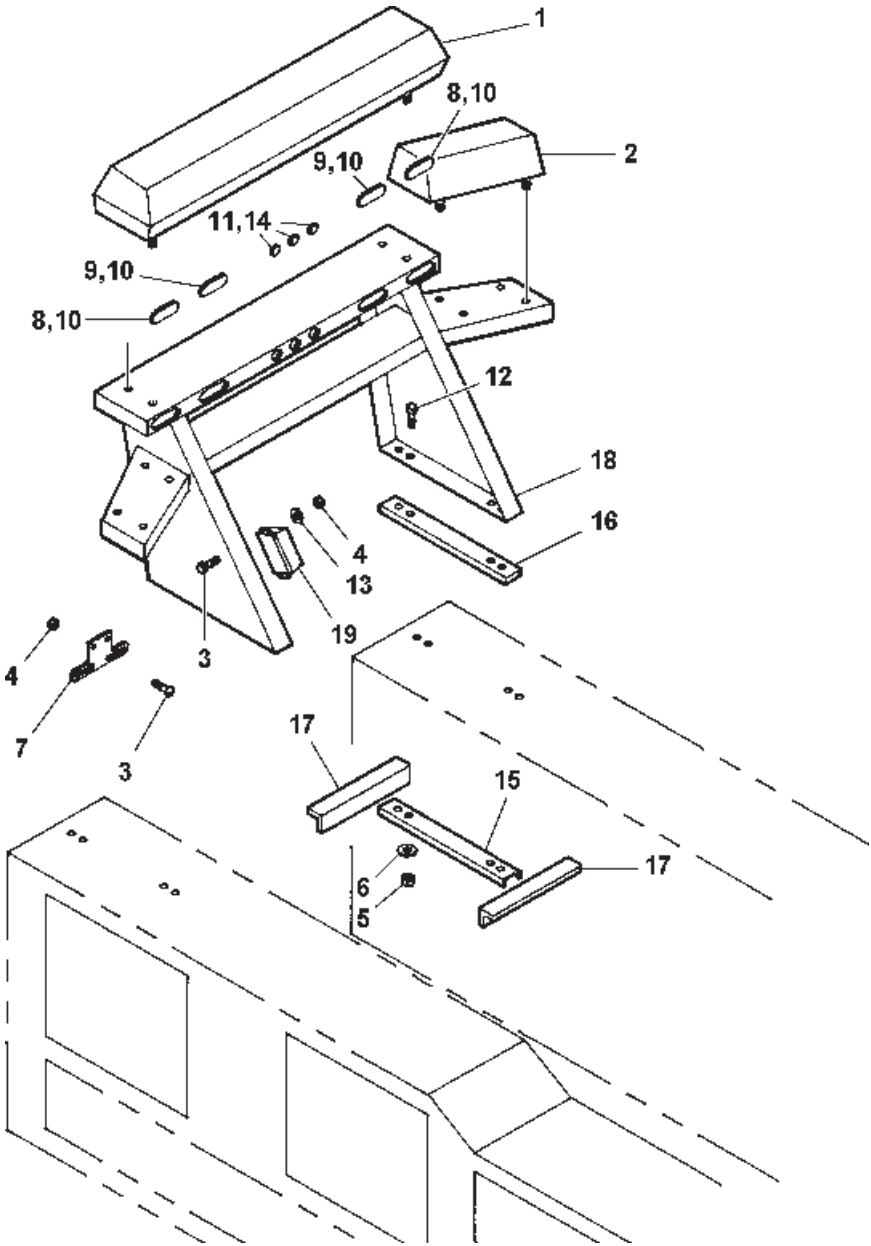
TRUCK WHEEL LIFT



REF. NO.	NO. REQ'D	PART NUMBER	DESCRIPTION
1	1	0804493	OUTER CROSSTUBE WELDMENT, LEFT
2	1	0804494	OUTER CROSSTUBE WELDMENT, RIGHT
3	1	0804495	TIRE SUPPORT WELDMENT, LEFT
4	1	0804496	TIRE SUPPORT WELDMENT, RIGHT
5	2	0902947	CROSSTUBE RETAINER PIN
6	4	0903089	RETAINER PIN
7	2	0903480	ADJUSTMENT TUBE
8	2	945520100	RATCHET HANDLE ASSEMBLY
9	2		TIE-DOWN STRAP, 1" WIDE
10	2	945525000	TIE-DOWN STRAP, 3" WIDE

Section VI - PARTS (cont'd)

LIGHT PYLON ASSEMBLY



Section VI - PARTS (cont'd)

LIGHT PYLON ASSEMBLY

REF. NO.	NO. REQ'D	PART NUMBER	DESCRIPTION
1	1	--	LIGHT BAR, LONG (OPTIONAL)
2	2	--	LIGHT BAR, SIDE (OPTIONAL)
3	6	0400070	SCREW, 1/4"-20 X 1" HEX HD CAP
4	6	0400367	NUT, 1/4"-20 HEX
5	8	0400408	NUT, 1/2"-13 NYLOK HEX
6	8	0400492	WASHER, 1/2" FLAT
7	1	9025062	LICENSE BRACKET C/W LIGHT
8	2	9025069	STOP/TAIL LIGHT
9	2	9025070	BACKUP LIGHT
10	4	9025107	GROMMET, TAIL LIGHT
11	3	9025118	GROMMET, MARKER LIGHT
12	8	9041405	SCREW, 1/2"-13 X 2" HEX HD CAP
13	2	9045055	LOCKWASHER, 1/4" BS
14	3	174027019	MARKER LIGHT, 2" RED
15	2	915160001	REINFORCING CHANNEL
16	2	945160513	RUBBER STRIP - 4" X 24-1/2"
17	4	946170102	SUPPORT ANGLE
18	1	946170500	PYLON WELDMENT - TOP MOUNT
19	1	946170600	PYLON WIRING HARNESS



Miller Industries Towing Equipment Inc.
8503 Hilltop Drive • Ooltewah, Tennessee 37363 • (423) 238-7227
www.millerind.com