



OWNER'S MANUAL

EXTREME ANGLE CARRIER

INSTALLATION, OPERATION, MAINTENANCE & PARTS

**NOTE: MANUAL including SPECIFICATIONS, subject to change without notice
All ratings specified are based on structural factors only,
not vehicle capacities or capabilities.**



Miller Industries Towing Equipment Inc.
8503 Hilltop Drive

Ooltewah, Tennessee 37363

Phone (423) 238-7227 • FAX (423) 238-7237

FORM NO. 0500837

09 / 01

PRICE \$25.00



Miller Industries Towing Equipment Inc.
8503 Hilltop Drive
Ooltewah, Tennessee 37363

WARRANTY

Vulcan warrants to the purchaser the basic new towing equipment for a period of one (1) year provided the failure results from a defect in material or workmanship and under normal use of service.

The obligation under this warranty statutory or otherwise is limited to the replacement or repair at our factory of such parts which appear to us upon inspection to be defective. This warranty does not commit Vulcan to bear the cost of labor or transportation charges.

Components of proprietary manufacture, such as branded electric and hydraulic winches, Stone Power packs, PTO's etc., carry warranties of their respective U.S. Distributors.

No warranty shall apply if the carrier has been installed, altered, repaired or misused in such a manner that, in Vulcan's opinion, it affects the reliability or detracts from the performance of any parts of the carrier as designed.

Vulcan shall in no event be liable for consequential damages or contingent liabilities originating from the failure of any parts or products to operate properly.

We reserve the right to change or improve our products at any time without any obligation to make changes or improvements to equipment previously sold.

This warranty is exclusive and is in lieu of all other warranties or conditions expressed, implied or statutory, including the warranty of merchantability and the condition of right to sell. Further, this warranty is affective only when the attached postcard is completed and mailed within fifteen days from date of purchase, otherwise the date of original sale by Vulcan shall determine the warranty period.

Section VI - PARTS

This Section is provided by the manufacturer for the purpose of ordering any component part of the **Extreme Angle Car Carrier** that may be required when part replacement is necessary. Be certain to use only original equipment replacement parts for warranty purposes as well as for keeping your **Extreme Angle Car Carrier** in its original state and optimum operating capacities.

When ordering replacement or spare parts be sure to provide the following information to the manufacturer's **Parts Department**.

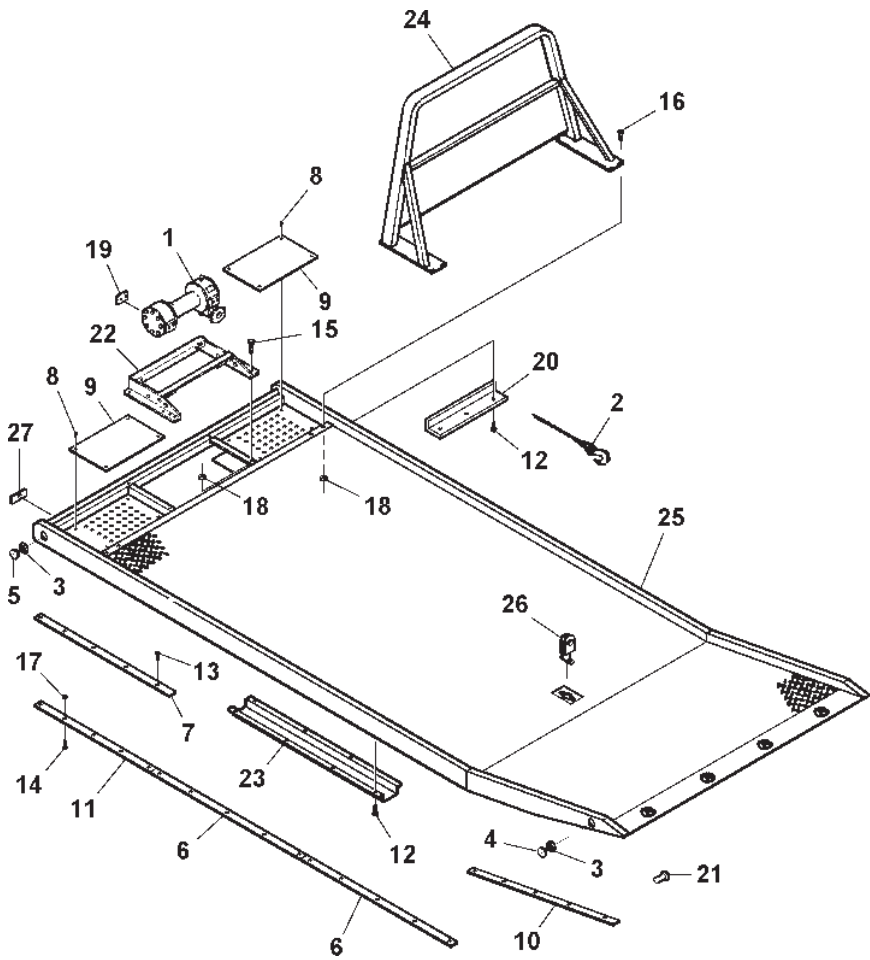
1. **Manual Number & Date of Publication**
2. **Manual Page Number**
3. **Page Title**
4. **Reference Number of Part Desired**
5. **Part Number**
6. **Part Description**
7. **Quantity of Part Desired**

Providing this information will help ensure that the correct parts will be delivered to you in an expedient manner without delay. Should additional information be required for repair or replacement of certain components, contact your Wrecker Manufacturer Authorized Representative.

The Manufacturer reserves the right, without notice or obligation, to improve or modify their products, which may change the specifications, models and feature availability.

Section VI - PARTS (cont'd)

EXTREME ANGLE BED ASSEMBLY



Section VI - PARTS (cont'd)

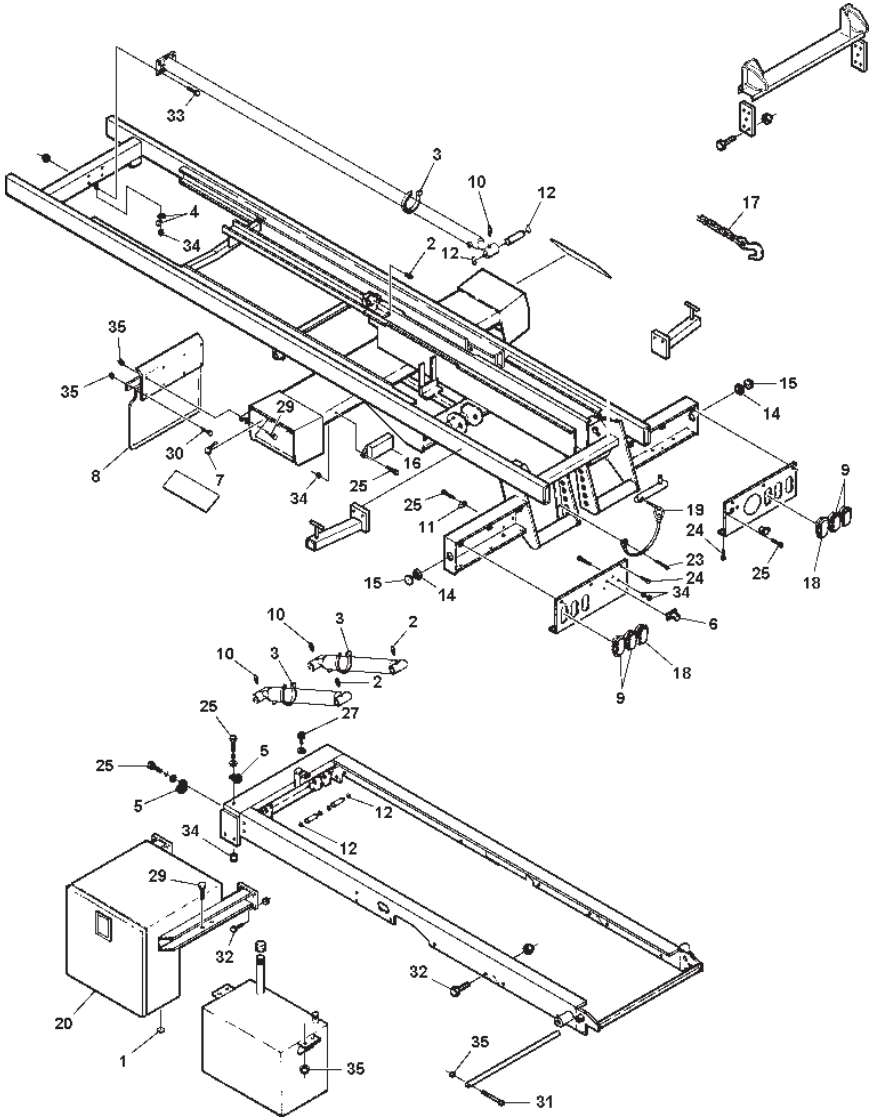
EXTREME ANGLE BED ASSEMBLY

REF. NO.	NO. REQ'D	PART NUMBER	DESCRIPTION
1	1	0300250	4 TON WINCH ASSEMBLY (STD)
		0303273	4 TON PLANETARY WINCH ASSEMBLY (OPT)
2	1	0301669	CABLE ASSEMBLY
3	2	0301740	GROMMET, MARKER LIGHT
4	2	0301741	SEALED LAMP (RED)
5	2	0301742	SEALED LAMP (AMBER)
6	4	0306007	BEARING PAD, 54"
7	2	0306009	BEARING PAD, 60"
8	8	0306051	TREE CLIPS
9	2	0306054	STORAGE TRAY MAT
10	2	0306094	BEARING PAD, 38-1/2"
11	2	0306108	BEARING PAD, 49-3/4"
12	11	0400077	SCREW, 1/4" X 1" SELF DRILLING
13	10	0400088	SCREW, 1/4"-20 X 5/8" STAINLESS
14	40	0400089	SCREW, 1/4"-20 X 1" STAINLESS
15	4	0400181	SCREW, 1/2"-13 X 1-1/2" HEX HD CAP
16	6	0400211	SCREW, 1/2"-13 X 1-3/4" HEX HD CAP
17	40	0400367	NUT, 1/4"-20 HEX NYLOK
18	10	0400408	NUT, 1/2"-13 HEX NYLOK
19	2	0701172	SPACER, WINCH BRACKET
20	1	0705332	COVER PLATE
27	5	0720023	HINGE PIN
21	1	0801482	WINCH MOUNTING BRACKET (STD WINCH)
		0805215	WINCH MOUNTING BRACKET (OPT WINCH)
22	1	0720283	HOSE TRAY (19' CARRIER)
		0709850	HOSE TRAY (19' 6" CARRIER)
		0709851	HOSE TRAY (20' CARRIER)
		0710777	HOSE TRAY (21' CARRIER)
23	1	0805175	CAB PROTECTOR WELDMENT (32" HIGH)
		0805176	CAB PROTECTOR WELDMENT (34" HIGH)
		0805177	CAB PROTECTOR WELDMENT (36" HIGH)
		0805178	CAB PROTECTOR WELDMENT (42" HIGH)
		0805179	CAB PROTECTOR WELDMENT (45" HIGH)
		0805180	CAB PROTECTOR WELDMENT (48" HIGH)
		0805181	CAB PROTECTOR WELDMENT (52" HIGH)
		0805182	CAB PROTECTOR WELDMENT (54" HIGH)
24	1	0805198	CARRIER BED, EXTREME ANGLE (19' STEEL)
25	1	0805324	CABLE GUIDE ASSEMBLY
26	2	GP132	FRONT MARKER LIGHT (AMBER)

Section VI - PARTS (cont'd)

MOUNTING & TILT FRAME ASSEMBLY

(Continued on page VI-10)



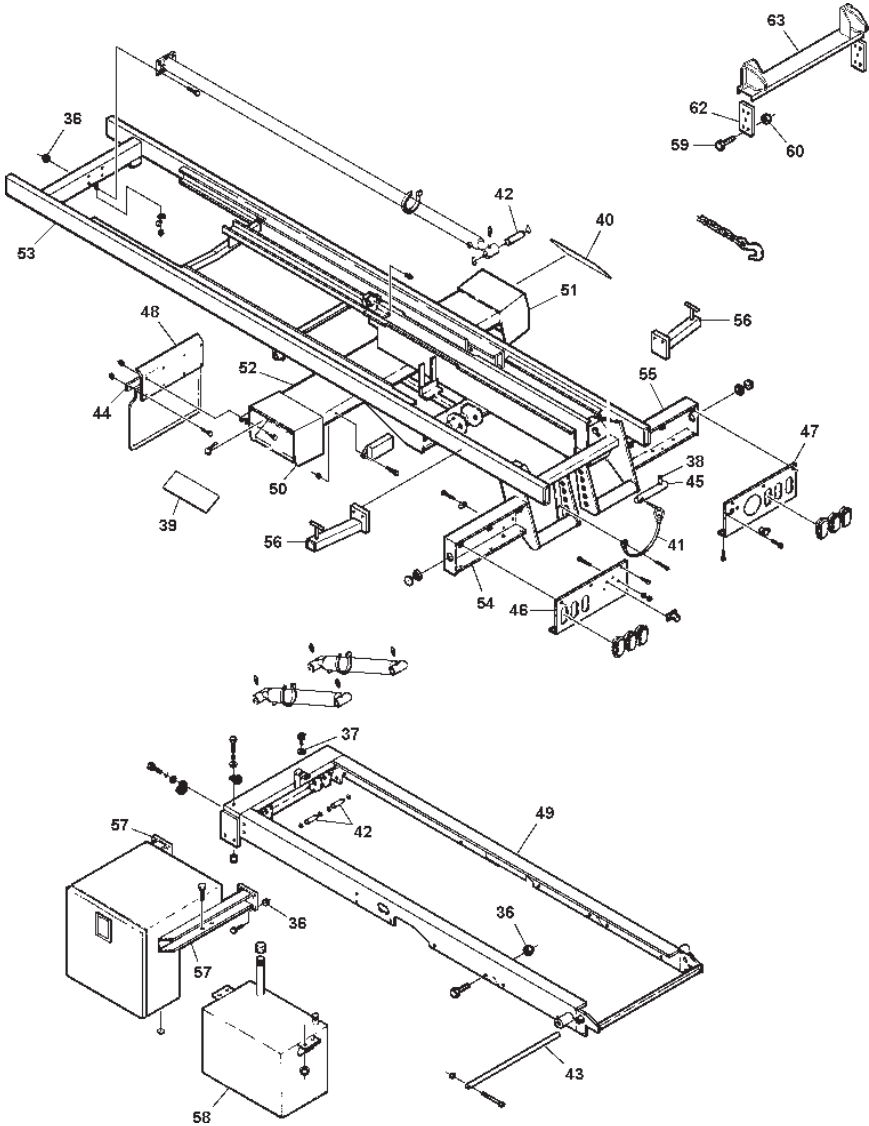
Section VI - PARTS (cont'd)
MOUNTING & TILT FRAME ASSEMBLY
(Continued on page VI-11)

REF. NO.	NO. REQ'D	PART NUMBER	DESCRIPTION
1	1	0300032	HOLE PLUG, 1"
2	3	0300113	GREASE FITTING
3	18	0300132	CABLE TIE
4	4	0300134	HOSE CLAMP, INSULATED
5	2	0300188	HOSE CLAMP, INSULATED
6	1	0300273	LICENCE PLATE ILLUMINATOR
7	2	0300867	CONTROL PANEL ILLUMINATOR
8	2	0306001	MUD FLAP
9	4	0303123	TAIL LIGHT ASSEMBLY (RED)
10	3	0301397	GREASE FITTING, 90°
11	8	0301601	CLAMP
12	10	0301642	SNAP RING, 1-1/4"
13	1	0301671	TOW LIGHT SOCKET
14	2	0301740	GROMMET MOUNTING KIT
15	2	0301741	SEALED LAMP (RED)
16	1	0303385	JUNCTION BOX
17	2	0301932	SAFETY CHAIN W/ HOOKS, 10' LONG
18	2	0303124	LIGHT, BACK UP (WHITE)
19	1	0302474	LYNCH PIN
20	1	0306041	TOOL BOX
21	1	0306385	BACK-UP ALARM (NOT SHOWN)
22	1	0306386	BACK-UP ALARM GROMMET (NOT SHOWN)
23	1	0400021	SCREW, #8-32 X 1/2" PAN HD
24	12	0400045	SCREW, #10-32 X 1/2" SELF TAPPING
25	8	0400060	SCREW, 1/4"-20 X 1/2" HEX HD CAP
26	2	0400061	SCREW, 1/4"-20 X 3/4" HEX HD CAP
27	2	0400066	SCREW, 1/4"-20 X 3/4" HEX HD CAP
28	1	0400070	SCREW, 1/4"-20 X 1" HEX HD CAP
29	12	0400121	SCREW, 3/8"-16 X 3/4" HEX HD CAP
30	9	0400122	SCREW, 3/8"-16 X 1-1/4" HEX HD CAP
31	1	0400150	SCREW, 3/8"-16 X 2-1/2" HEX HD CAP
32	28	0400181	SCREW, 1/2"-13 X 1-1/2" HEX HD CAP
33	20	0400211	SCREW, 1/2"-13 X 1-3/4" HEX HD CAP
34	14	0400367	NUT, 1/4"-20 HEX NYLOK
35	20	0400392	NUT, 3/8"-16 HEX NYLOK

Section VI - PARTS (cont'd)

MOUNTING & TILT FRAME ASSEMBLY

(Continued from page VI-8)

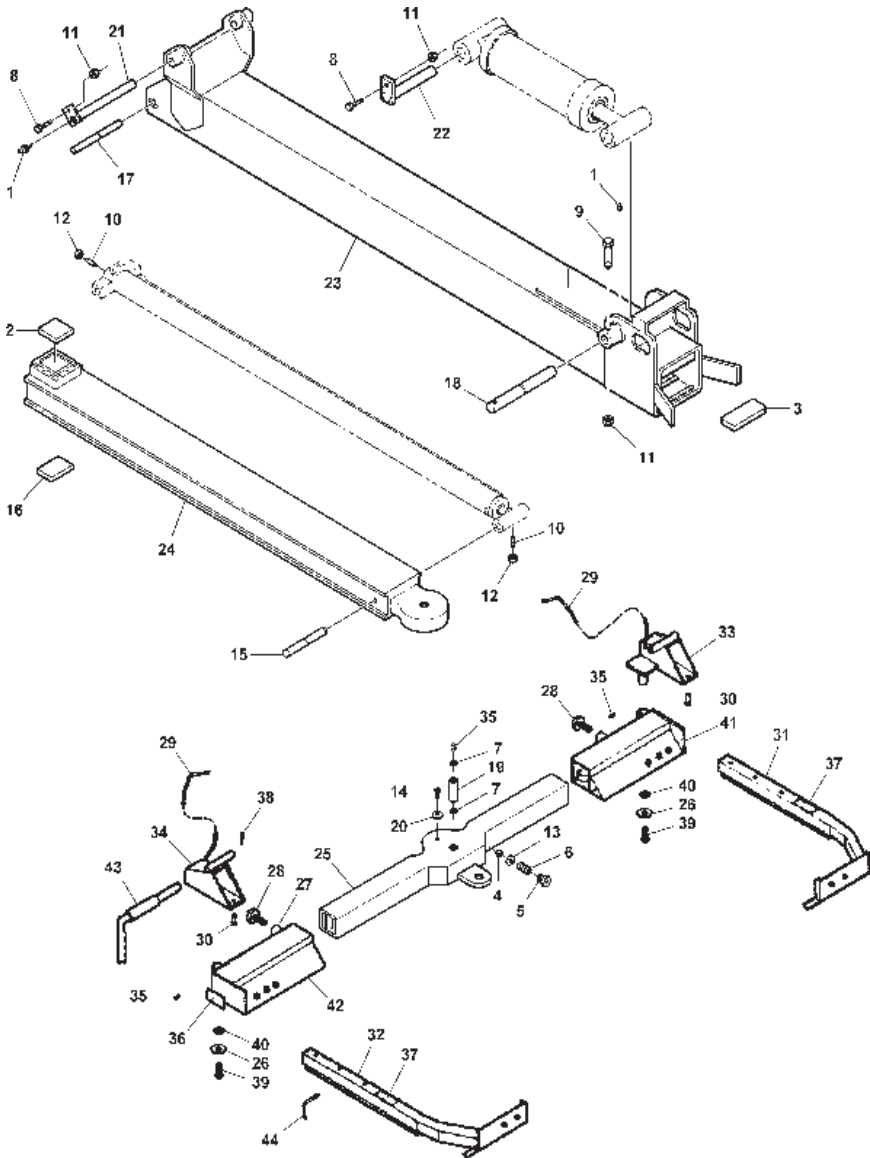


Section VI - PARTS (cont'd)
MOUNTING & TILT FRAME ASSEMBLY
(Continued from page VI-9)

REF. NO.	NO. REQ'D	PART NUMBER	DESCRIPTION
36	32	0400408	NUT, 1/2"-13 HEX NYLOK
37	2	0400452	LOCKWASHER, 1/4"
38	1	0400564	ROLL PIN
39	1	0500425	DECAL, CONTROL STATION (LEFT SIDE)
40	1	0500426	DECAL, CONTROL STATION (RIGHT SIDE)
41	2	0700584	CABLE
42	5	0702434	SHAFT, CYLINDER
43	1	0704792	PIVOT PIN
44	2	0705092	BAR, MUDFLAP
45	1	0709867	SAFETY PIN
46	1	0720030	PLATE, LIGHT MOUNTING (LEFT SIDE)
47	1	0720031	PLATE, LIGHT MOUNTING (RIGHT SIDE)
48	1	0720080	MUD FLAP MOUNTING BRACKET, LONG, RH
	1	0720081	MUD FLAP MOUNTING BRACKET, LONG, LH
	1	0720141	MUD FLAP MOUNTING BRACKET, SHORT, RH
	1	0720142	MUD FLAP MOUNTING BRACKET, SHORT, LH
49	1	0801553	MOUNTING FRAME
50	1	0801557	CONTROL BOX HOOD, LEFT
51	1	0801558	CONTROL BOX HOOD, RIGHT
52	1	0801559	CENTER CONTROL HOUSING
53	1	0801565	TILT FRAME
54	1	0801573	TAIL LIGHT HOUSING (LEFT SIDE)
55	1	0801574	TAIL LIGHT HOUSING (RIGHT SIDE)
56	2	0802663	L-ARM STORAGE BRACKET
57	2	0802667	TOOL BOX/OIL TANK MOUNTING BRACKET
58	1	0805237	RESERVOIR ASSEMBLY
--	--	--	BEDLOCK KIT
59	6	0400211	SCREW, 1/2"-13 X 1-3/4" HEX HD CAP
60	6	0400408	NUT, 1/2"-13 HEX NYLOK
61	12	0400492	WASHER, 1/2" FLAT
62	2	0704784	BEDLOCK PLATE
63	1	0805054	BEDLOCK ASSEMBLY

Section VI - PARTS (cont'd)

WHEEL LIFT & WHEEL RETAINER ASSEMBLY

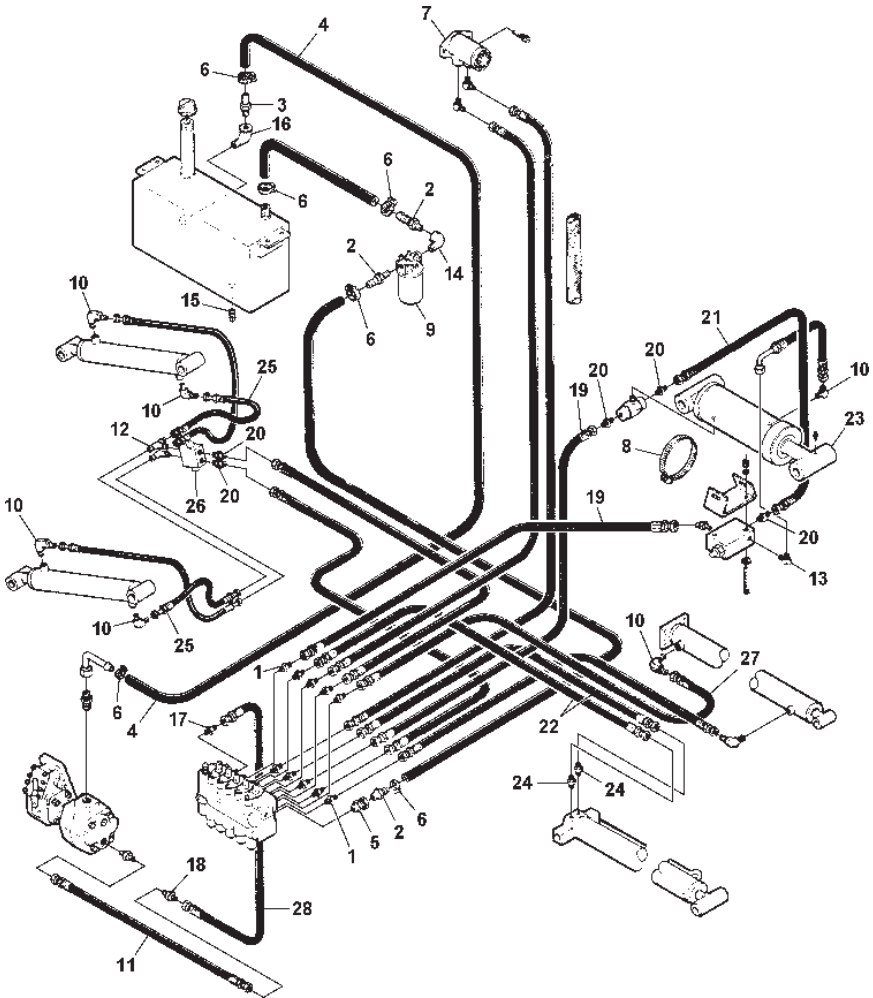


Section VI - PARTS (cont'd)

WHEEL LIFT & WHEEL RETAINER ASSEMBLY

REF. NO.	NO. REQ'D	PART NUMBER	DESCRIPTION
1	5	0300113	GREASE FITTING
2	1	0301850	BEARING PAD
3	1	0302183	BEARING PAD
4	1	0308129	DETENT BALL
5	1	0308130	PIPE PLUG
6	1	0308131	DETENT SPRING
7	2	0308132	"O" RING
8	2	0400148	SCREW, 3/8"-16 X 1-1/4" HEX HD CAP
9	1	0400150	SCREW, 3/8"-16 X 2-1/2" HEX HD CAP
10	2	0400221	SCREW, 3/8"-16 X 1" CUP POINT ALLEN HD
11	3	0400392	NUT, 3/8"-16 HEX NYLOK
12	2	0400393	NUT, 3/8"-16 HEX JAM
13	1	0400480	WASHER, 3/8" FLAT
14	1	0403004	SCREW, 3/8"-16 X 3/4" BUTTON ALLEN HD
15	1	0702131	SHAFT, INNER TUBE CYLINDER
16	1	0703277	SLIDER, PAD
17	1	0705524	SHAFT, EXTEND CYLINDER
18	1	0705238	PIVOT PIN
19	1	0720460	PIN, CROSSBEAM PIVOT
20	1	0720463	WASHER, 1" O.D. X 3/8" I.D. FLAT
21	1	0801009	SHAFT, PIN ASSEMBLY, UPPER BOOM
22	1	0801012	SHAFT, LIFT CYLINDER
23	1	0805149	OUTER BOOM
24	1	0805245	INNER BOOM
25	1	0805434	INNER CROSSTUBE WELDMENT
26	2	8600404	WASHER, 11/16" I.D. X 2" O.D. FLAT
27	2	8601608	SLIDE LOCK SOCKET
28	2	8601900	SLIDE LOCK HANDLE KNOB ASSEMBLY
29	2	8602001	LOCK PIN WITH CHAIN
30	2	8700109	LOCK PIN, SCOOP
31	1	8700180	WHEEL RETAINER, RIGHT
32	1	8700190	WHEEL RETAINER, LEFT
33	1	8701500	SCOOP BRACKET, RIGHT
34	1	8701600	SCOOP BRACKET, LEFT
35	1	9012501	GREASE NIPPLE
36	2	9025068	REFLECTOR
37	2	9033198	DECAL, SAFETY CHAIN WARNING
38	2	9046310	ROLL PIN, 3/16" X 1-1/8"
39	2	9043950	SCREW, 5/8" NC X 1-1/2" HEX HD CAP
40	2	9045259	WASHER, 5/8" FLAT
41	1	880417000	WHEEL GRID, RIGHT
42	1	880410000	WHEEL GRID, LEFT
43	2	880411500	STOP PIN ASSEMBLY
44	2	890440003	LOCKING PIN

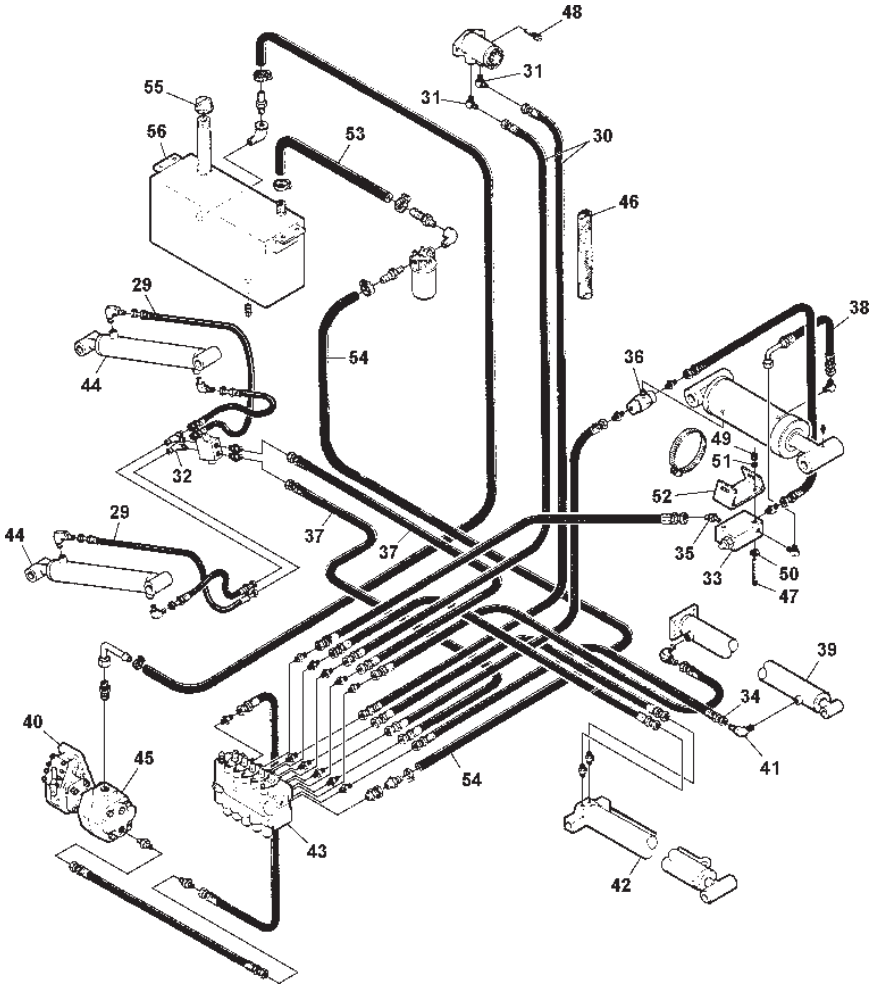
Section VI - PARTS (cont'd)
HYDRAULICS
(Continued on page VI-12)



Section VI - PARTS (cont'd)
HYDRAULICS
(Continued on page VI-13)

REF. NO.	NO. REQ'D	PART NUMBER	DESCRIPTION
1	10	0300044	CONNECTOR 6MJ-8MB
2	3	0300055	HOSE BARB, 3/4" HOSE-12MP
3	1	0300056	HOSE BARB, 1" HOSE-16MP
4	1	0300058	HOSE, SUCTION 1"
5	1	0300065	SWIVEL, 12MB-12FPX
6	6	0300071	CLAMP, 1" HOSE
7	1	0306157	WINCH MOTOR
8	1	0300133	CLAMP, 3"-4" HOLDING VALVE RETAINER
9	1	0308151	OIL FILTER ASSEMBLY
10	6	0300142	ELBOW, 6MJ-4MP90
11	1	0300165	HOSE ASSEMBLY, 91"
12	2	0300208	TEE, 6MJ-6MJ-4MP
13	1	0300209	ELBOW, 6MJ-6MP90
14	1	0300288	STREET ELBOW, 3/4" 90°
15	1	0300347	PLUG, 1/2" SQ HD BLACK
16	1	0300692	STREET ELBOW, 1" 90°
17	1	0300789	CONNECTOR, 10MB-8MJ
18	1	0300865	CONNECTOR, 8MJ-8MB
19	2	0301403	HOSE ASSEMBLY, 80-1/2"
20	5	0301424	CONNECTOR, 6MJ-4MP
21	1	0301473	HOSE ASSEMBLY, 18"
22	2	0301478	HOSE ASSEMBLY, 54"
23	1	0301484	CYLINDER, WHEEL LIFT TILT
24	2	0301522	CONNECTOR, 6MJ-6MB
25	2	0301524	HOSE ASSEMBLY, 14"
26	1	0301640	VALVE, BED TILT CYLINDER LOCK
27	2	0301658	HOSE ASSEMBLY, 128"
28	1	0301659	HOSE ASSEMBLY, 150"
29	2	0301660	HOSE ASSEMBLY, 21"

Section VI - PARTS (cont'd)
HYDRAULICS
(Continued from page VI-10)

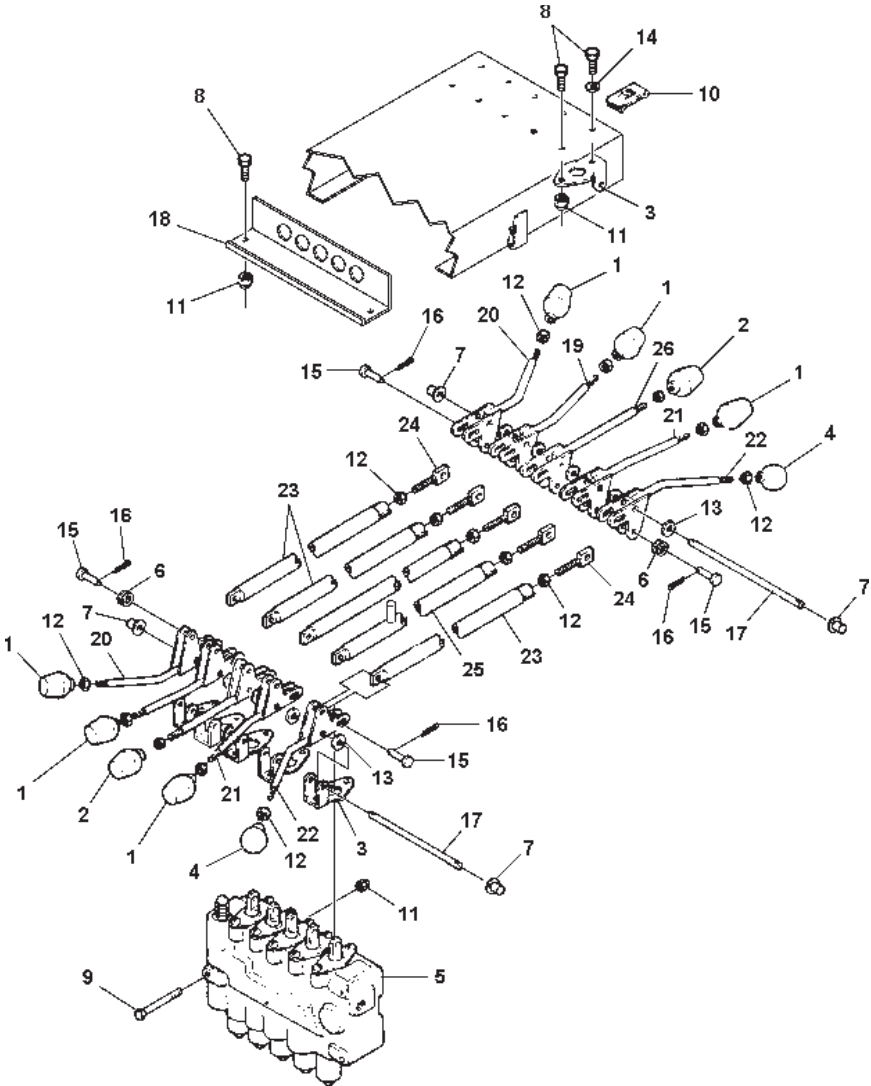


Section VI - PARTS (cont'd)
HYDRAULICS
(Continued from page VI-11)

REF. NO.	NO. REQ'D	PART NUMBER	DESCRIPTION
29	2	0301660	HOSE ASSEMBLY, 21"
30	2	0301663	HOSE ASSEMBLY, 204"
31	2	0301665	ELBOW, 6MJ-8MP90
32	1	0301694	ORIFICE TEE
33	1	0301731	VALVE, TILT CYLINDER HOLDING
34	1	0301769	HOSE ASSEMBLY, 52"
35	1	0301848	ELBOW, 6MJ-6MP45
36	1	0301868	TEE, 4FP-4FP-4MP
37	2	0301878	HOSE ASSEMBLY, 137"
38	1	0301900	HOSE ASSEMBLY, 18"
39	1	0301970	CYLINDER, BED EXTEND
40	1	0302037	PTO
41	1	0300229	ELBOW, 8MJ-8MP90
42	1	0302178	CYLINDER, WHEEL LIFT EXTEND
43	1	0302179	CONTROL VALVE, 5 SPOOL
44	2	0302867	CYLINDER, BED LIFT
45	1	0306051	PUMP, HIGH PRESSURE HYDRAULIC
46	1	0306182	SKUFF JACKET
47	2	0400064	SCREW, 1/4"-20 X 2-1/4" RD HD SLOTTED
48	2	0400196	SCREW, 1/2"-13 X 1-1/4" SKT HD CAP
49	2	0400366	NUT, 1/4"-20 HEX
50	2	0400451	WASHER, 1/4" FLAT
51	2	0400452	LOCKWASHER, 1/4" HELICAL
52	1	0703001	BRACKET, W/L HOLDING VALVE MOUNTING
53	1	0704801	RETURN HOSE, 52"
54	1	0704802	RETURN HOSE, 192"
55	1	0801510	DIP STICK WELDMENT
56	1	0805237	RESERVOIR

Section VI - PARTS (cont'd)

CONTROL & CROSSROD ASSEMBLY



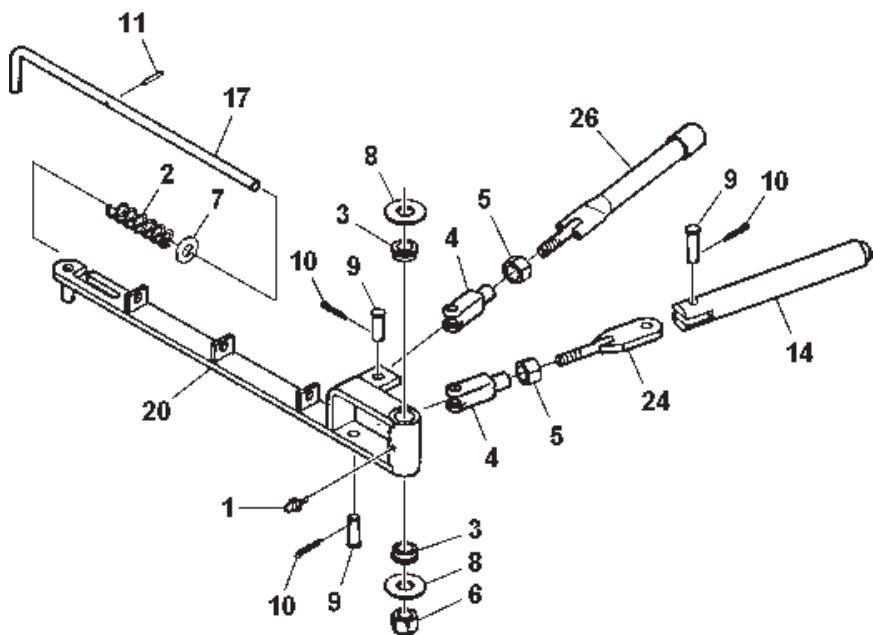
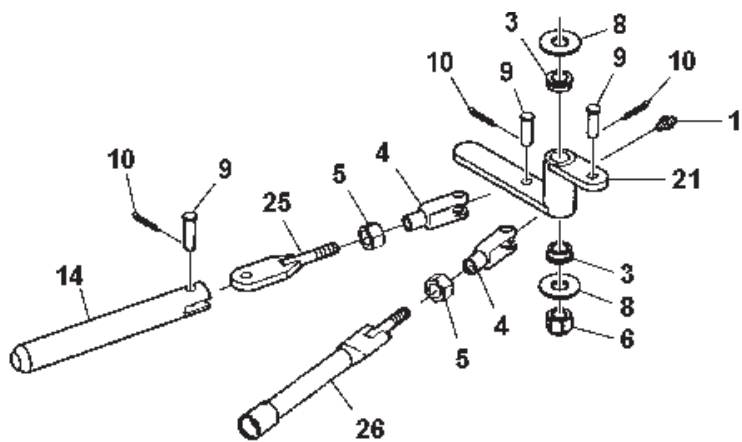
Section VI - PARTS (cont'd)

CONTROL & CROSSROD ASSEMBLY

REF. NO.	NO. REQ'D	PART NUMBER	DESCRIPTION
1	6	0300341	KNOB
2	2	0300834	KNOB, "IN/OUT" (RED, CABLE)
3	10	0301638	BRACKET, CONTROL HANDLE
4	2	0301720	KNOB, BALL
5	1	0302179	5-SPOOL CONTROL VALVE
6	10	0306006	SPRING, ANTI-RATTLE
7	4	0306122	END CAP, CONTROL HANDLE ROD
8	12	0400121	SCREW, 3/8"-16 X 3/4" HEX HD
9	3	0400140	SCREW, 3/8"-16 X 4" HEX HD
10	4	0400243	NUT, 3/8", "J" TINNERMAN
11	10	0400392	NUT, 3/8"-16 NYLOK
12	10	0400393	NUT, 3/8"-16 JAM
13	15	0400465	WASHER, 5/16" FLAT
14	5	0400482	LOCKWASHER, 3/8" HELICAL
15	15	0400532	CLEVIS PIN, 5/16" X 1"
16	10	0400543	COTTER PIN, 1/8" X 3/4"
17	2	0705242	CONTROL HANDLE PIVOT ROD
18	1	0720456	ANGLE, NO-SHAKE
19	2	0800795	FRONT INNER CONTROL HANDLE
20	2	0800796	FRONT OUTER CONTROL HANDLE
21	2	0800797	REAR INNER CONTROL HANDLE
22	2	0800798	REAR OUTER CONTROL HANDLE
23	4	0800799	VALVE SHIFTER
24	5	0800800	CONTROL ROD LINK
25	1	0801274	CONTROL ROD LINK, ANTI TILT
26	2	0801566	CONTROL HANDLE, CENTER

Section VI - PARTS (cont'd)

EXTREME ANGLE LOCK MECHANISM



Section VI - PARTS (cont'd)

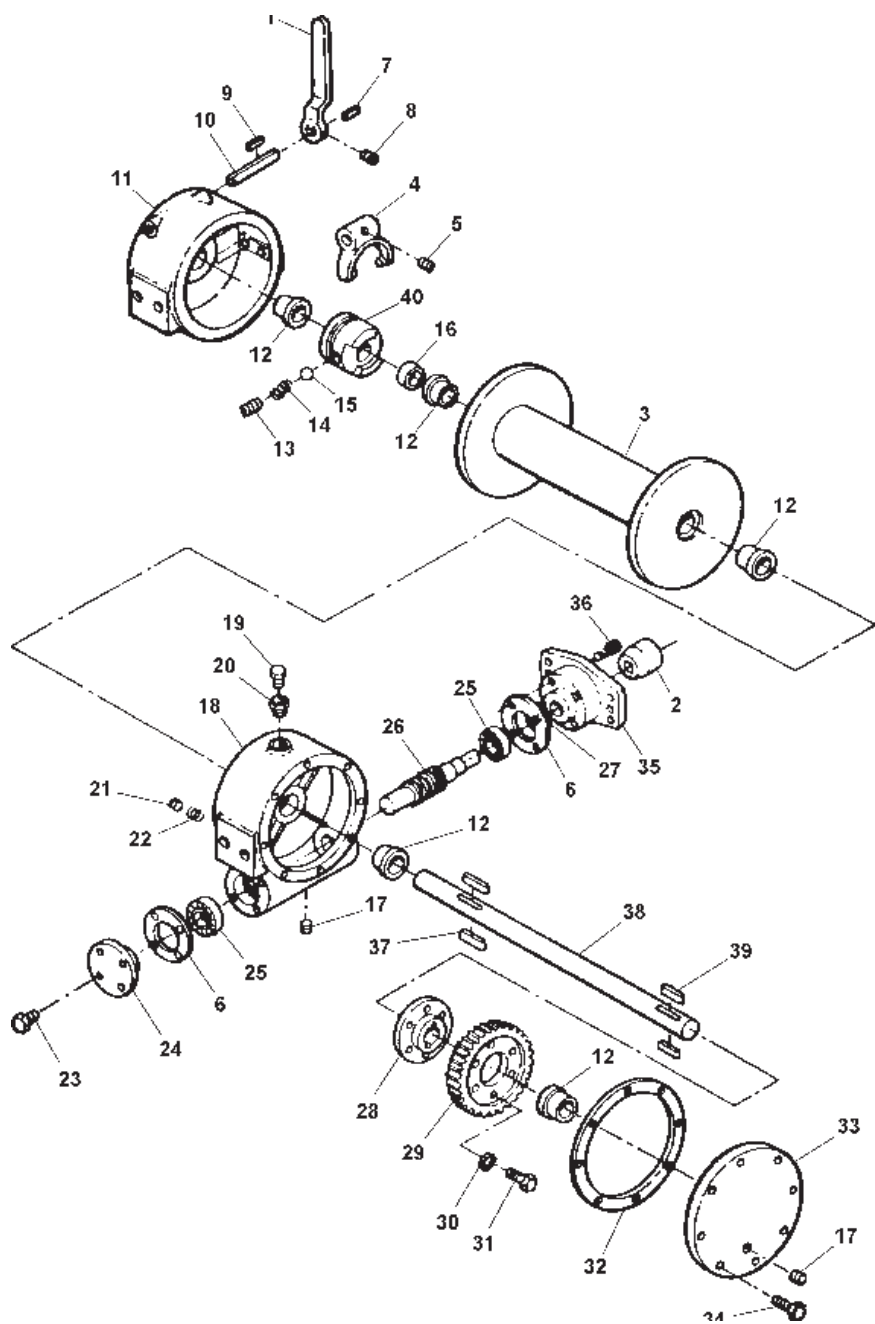
EXTREME ANGLE LOCK MECHANISM

REF. NO.	NO. REQ'D	PART NUMBER	DESCRIPTION
1	6	0300113	GREASE FITTING, 1/4"-28
2	1	0300845	COMPRESSION SPRING
3	4	0301670	BRONZE BUSHING
4	4	0301586	CLEVIS, 1/2"-13 THREADS
5	4	0400410	NUT, 1/2"-13 HEX JAM
6	2	0400430	NUT, 3/4"-10 HEX NYLOK
7	5	0400492	WASHER, 1/2" FLAT
8	4	0400510	WASHER, 3/4" FLAT
9	6	0400537	CLEVIS PIN, 1/2" X 1-1/2"
10	6	0400549	COTTER PIN, 1/8" X 1"
11	1	0400560	ROLL PIN, 5/32" X 1"
12*	1	0720083	LOCK HOUSING BRACKET (DRIVER SIDE)
13*	1	0720084	LOCK HOUSING BRACKET (PASSENGER SIDE)
14	2	0720120	LOCK PIN
15*	1	0720121	LOCK PIN HOUSING
16*	2	0720122	LOCK PIN HOUSING GUSSET
17	1	0720132	POSITION PIN, LOCK / UNLOCK
18*	1	0805213	LOCK PLATE WELDMENT (DRIVER SIDE)
19*	1	0805214	LOCK PLATE WELDMENT (PASSENGER SIDE)
20	1	0805247	LINKAGE CONTROL ARM (DRIVER SIDE)
21	1	0805248	LINKAGE CONTROL ARM (PASSENGER SIDE)
22*	1	0805249	PIVOT PIN MOUNTING PLATE (DRIVER SIDE)
23*	1	0805250	PIVOT PIN MOUNTING PLATE (PASS. SIDE)
24	1	0805251	LOCK PIN LINKAGE (DRIVER SIDE)
25	1	0805252	LOCK PIN LINKAGE (PASSENGER SIDE)
26	2	0805253	CENTER LINKAGE

*NOT SHOWN

Section VI - PARTS (cont'd)

HYDRAULIC WINCH



Section VI - PARTS (cont'd)

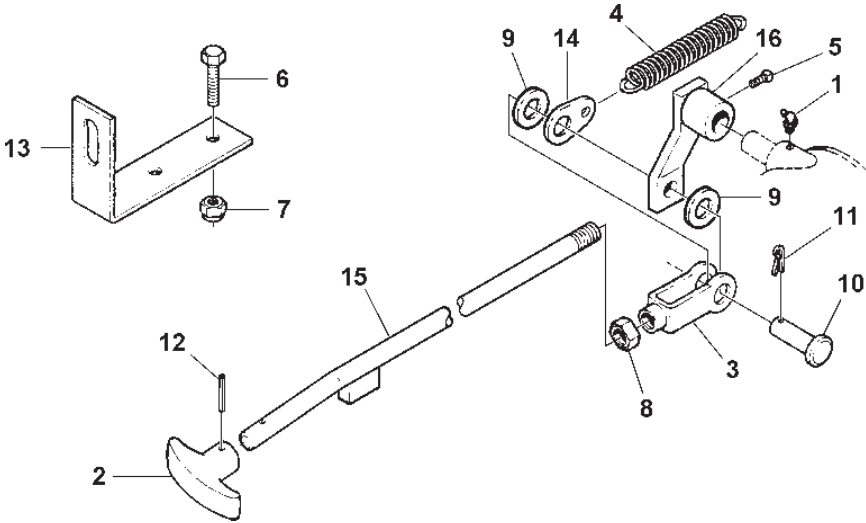
HYDRAULIC WINCH

REF. NO.	NO. REQ'D	PART NUMBER	DESCRIPTION
1	1	0300261	LEVER
2	1	0300290	COUPLING
3	1	0300381	DRUM
4	1	0300398	YOKE
5	1	0300399	SCREW
6	2	0300447	GASKET
7	1	0300448	KEY
8	1	0300449	SCREW
9	1	0300450	KEY
10	1	0300451	SHAFT
11	1	0300452	CLUTCH HOUSING
12	5	0300453	BUSHING
13	1	0300454	SCREW
14	1	0300455	SPRING
15	1	0300456	BALL
16	1	0300458	SPACER
17	2	0300459	PLUG
18	1	0300460	HOUSING
19	1	0300461	PLUG
20	1	0300462	REDUCER
21	1	0300463	DRAG BRAKE
22	1	0300464	SPRING
23	16	0300465	SCREW
24	1	0300466	CAP
25	2	0300467	BEARING
26	1	0300468	WORM
27	1	0300471	SEAL
28	1	0300472	HUB
29	1	0300473	GEAR
30	6	0300474	WASHER
31	6	0300475	SCREW
32	1	0300476	GASKET
33	1	0600477	COVER
34	4	0300569	SCREW
35	1	0300694	CAP ADAPTER
36	1	0300695	SCREW
37	2	--	KEY
38	1	--	SHAFT
39	2	--	KEY
40	1	--	CLUTCH

* When ordering specify which serial number.

Section VI - PARTS (cont'd)

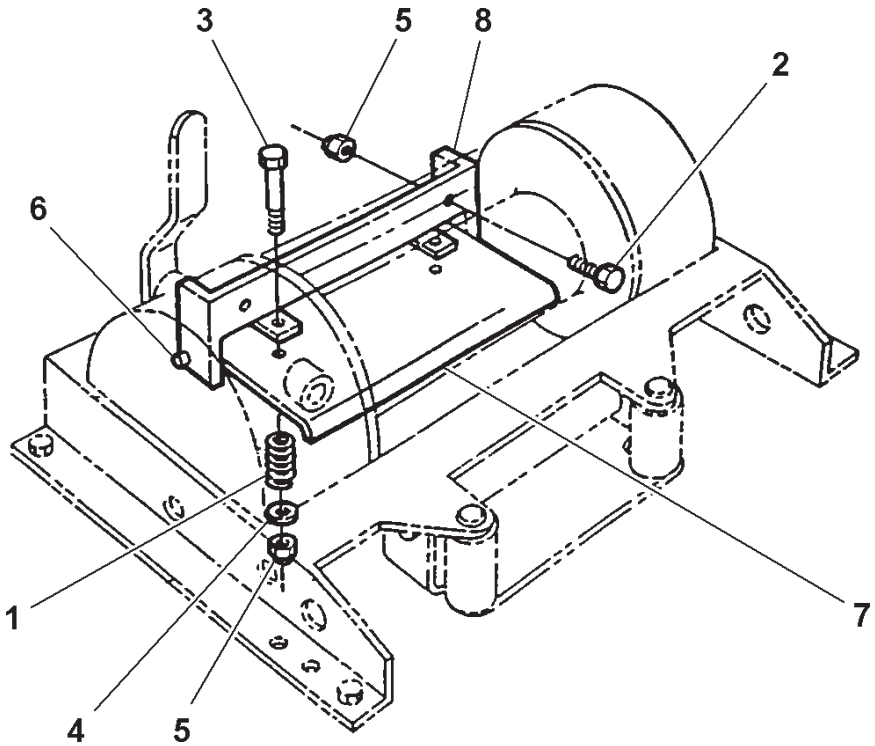
WINCH CLUTCH CONTROL



REF. NO.	NO. REQ'D	PART NUMBER	DESCRIPTION
1	1	0301397	GREASE FITTING, 90°
2	1	0301532	"T" HANDLE
3	1	0301588	ADJUSTING YOKE
4	1	0306015	SPRING COMPRESSION
5	1	0400116	SCREW, 5/16"-18 X 1/2" SQ HD SET
6	2	0400126	SCREW, 3/8"-16 X 1" HEX HD CAP
7	2	0400392	NUT, 3/8"-16 NYLOK
8	1	0400410	NUT, 1/2"-13 JAM
9	4	0400492	WASHER, 1/2" FLAT
10	1	0400537	PIN, 1/2" X 1-1/2" CLEVIS
11	1	0400546	PIN, 1/8" X 1-1/4" COTTER
12	2	0400560	PIN, 5/32" X 1" ROLL
13	1	0710918	MOUNTING ANGLE
14	1	0710919	SPRING HOLDER
15	1	0805170	CONTROL ROD
16	1	0805151	BELL CRANK

Section VI - PARTS (cont'd)

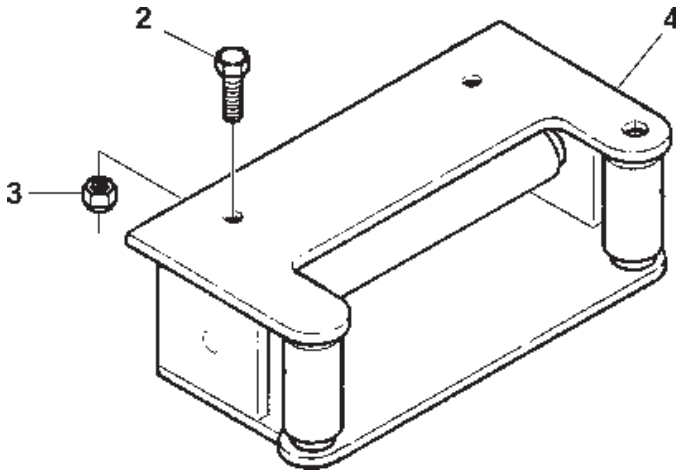
CABLE TENSIONER ASSEMBLY (STANDARD 4-TON WINCH)



REF. NO.	NO. REQ'D	PART NUMBER	DESCRIPTION
1	2	0301729	TENSIONING SPRING
2	2	0400126	SCREW, 3/8"-16 X 1" HEX HD CAP
3	2	0400130	SCREW, 3/8"-16 X 3-1/2" HEX HD CAP
4	2	0400480	WASHER, 3/8" FLAT
5	4	0400392	NUT, 3/8"-16 HEX NYLOK
6	2	0400554	ROLL PIN, 3/8" X 1"
7	1	0800908	TENSIONING PLATE
8	1	0800909	CABLE TENSIONER BRACKET

Section VI - PARTS (cont'd)

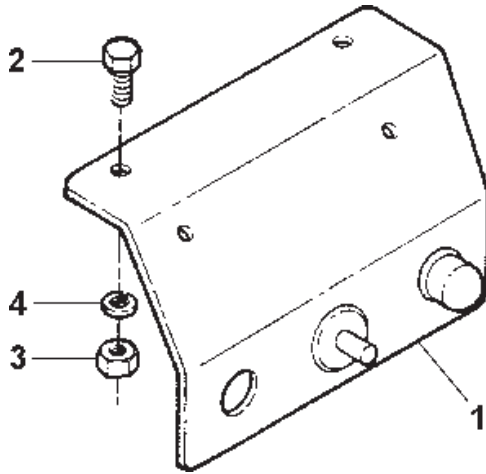
CABLE ROLLER ASSEMBLY



REF. NO.	NO. REQ'D	PART NUMBER	DESCRIPTION
1	--	0900892	CABLE ROLLER ASSEMBLY
2	2	0400177	SCREW, 1/2"-13 X 1-1/4" HEX HD
3	2	0400408	NUT, 1/2"-13 NYLOK
4	1	0805037	CABLE ROLLER GUIDE WELDMENT

Section VI - PARTS (cont'd)

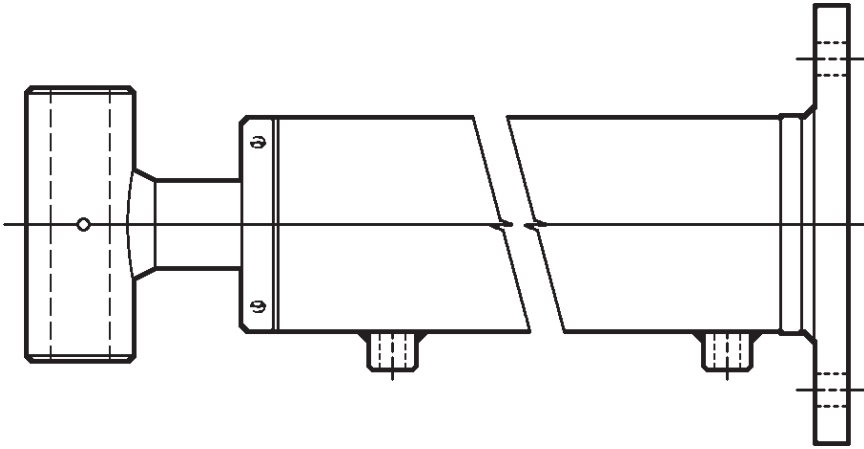
STANDARD PTO PANEL



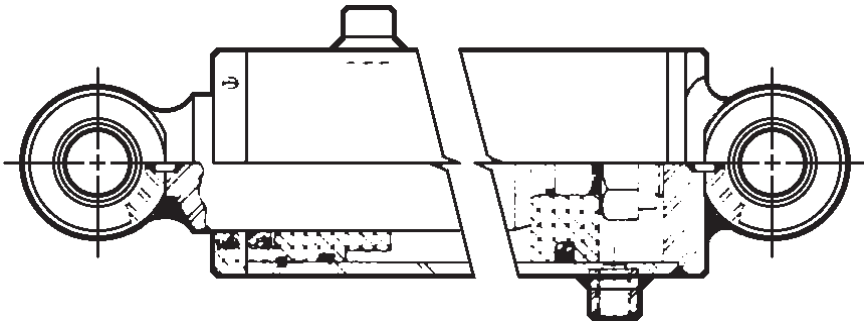
REF. NO.	NO. REQ'D	PART NUMBER	DESCRIPTION
1	1	0301675	PANEL (COMPLETE)
2	2	0400061	SCREW, 1/4"-20 X 3/4"
3	2	0400366	NUT, 1/4"-20 HEX
4	2	0400452	LOCKWASHER, 1/4"

Section VI - PARTS (cont'd)

HYDRAULIC CYLINDERS



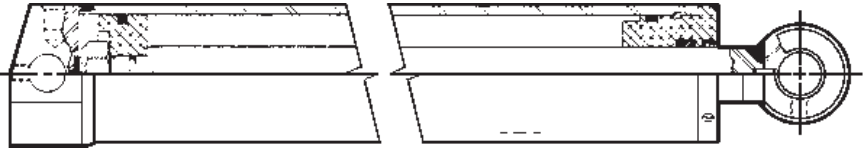
REF. NO.	NO. REQ'D	PART NUMBER	DESCRIPTION
1	1	0301970	CYLINDER, BED EXTEND (COMPLETE)
2	--	0306388	SEAL KIT, BED EXTEND CYLINDER



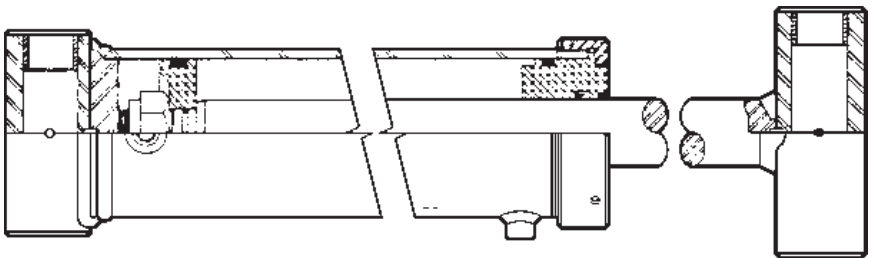
REF. NO.	NO. REQ'D	PART NUMBER	DESCRIPTION
1	2	0302867	CYLINDER, BED TILT (COMPLETE)
2	--	0306133	SEAL KIT, BED TILT CYLINDER

Section VI - PARTS (cont'd)

HYDRAULIC CYLINDERS



REF. NO.	NO. REQ'D	PART NUMBER	DESCRIPTION
1	1	0302178	CYLINDER, WHEEL LIFT EXTEND (COMPLETE)
2	--	0306134	SEAL KIT, WHEEL LIFT EXTEND CYLINDER



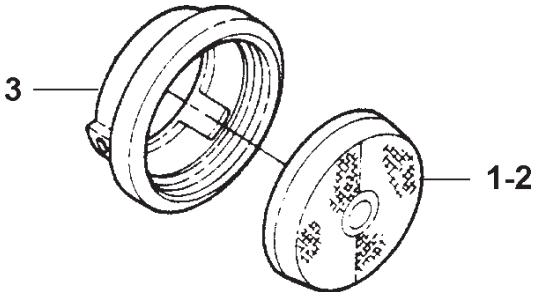
REF. NO.	NO. REQ'D	PART NUMBER	DESCRIPTION
1	1	0301484	CYLINDER, WHEEL LIFT LIFT (COMPLETE)
2	--	0306135	SEAL KIT, WHEEL LIFT LIFT CYLINDER

Section VI - PARTS (cont'd)

LIGHT KIT

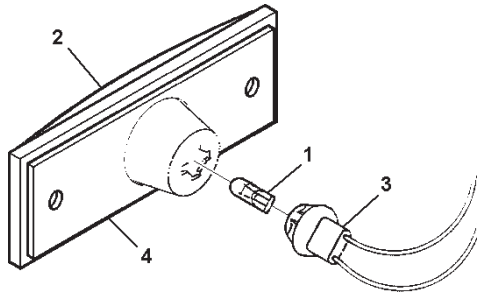


REF. NO.	PART NUMBER	DESCRIPTION
1	0301390	LIGHT, SEALED RED (STOP & TURN)
2	0302201	LIGHT, SEALED WHITE (BACK-UP)
3	0304127	TAIL LIGHT GROMMET

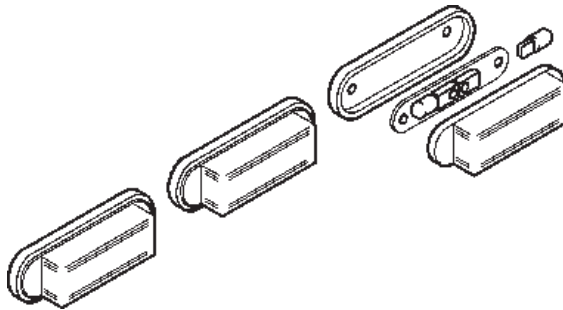


REF. NO.	PART NUMBER	DESCRIPTION
1	0301740	TAIL LIGHT GROMMET
2	0301741	LIGHT, SEALED RED (MARKER)
3	0301742	LIGHT, SEALED AMBER (MARKER)

Section VI - PARTS (cont'd) LIGHT KIT



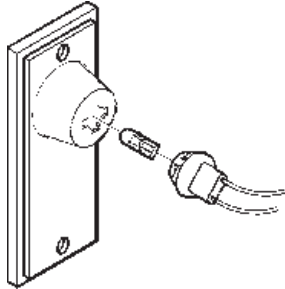
REF. NO.	PART NUMBER	DESCRIPTION
1	GP132	LIGHT, AMBER MARKER, RECTANGULAR (COMPLETE)



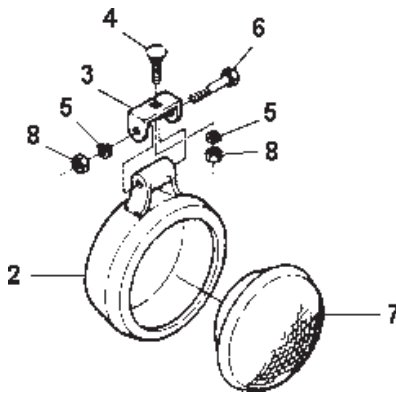
REF. NO.	PART NUMBER	DESCRIPTION
1	0306126	LIGHT ASSEMBLY (COMPLETE)

Section VI - PARTS (cont'd)

LIGHT KIT

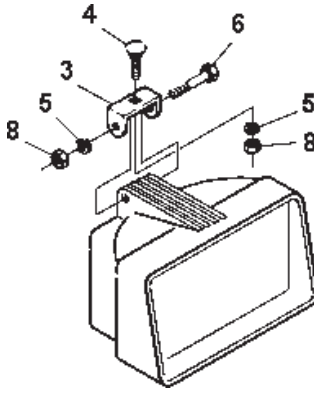


REF. NO.	PART NUMBER	DESCRIPTION
1	LT0118	LIGHT, AMBER MARKER, RECTANGULAR (COMPLETE)



REF. NO.	PART NUMBER	DESCRIPTION
1	0301505	WORK LIGHT (COMPLETE)
2	0304146	HOUSING, WORK LIGHT
3	0304148	MOUNTING BRACKET
4	0304149	MOUNTING SCREW
5	0304150	LOCKWASHER
6	0304151	PIVOT SCREW
7	0304152	BULB, WORK LIGHT
8	0304153	NUT

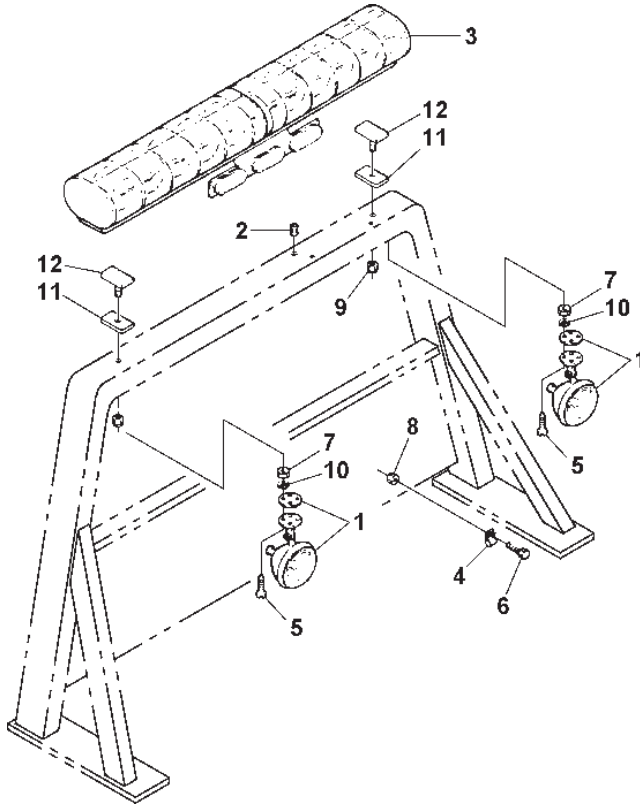
Section VI - PARTS (cont'd) LIGHT KIT



REF. NO.	PART NUMBER	DESCRIPTION
1	174008003	RECTANGULAR WORK LIGHT (COMPLETE)
2	0304146	HOUSING, WORK LIGHT
3	0304148	MOUNTING BRACKET
4	0304149	MOUNTING SCREW
5	0304150	LOCKWASHER
6	0304151	PIVOT SCREW
7	0304152	BULB, WORK LIGHT
8	0304153	NUT

Section VI - PARTS (cont'd)

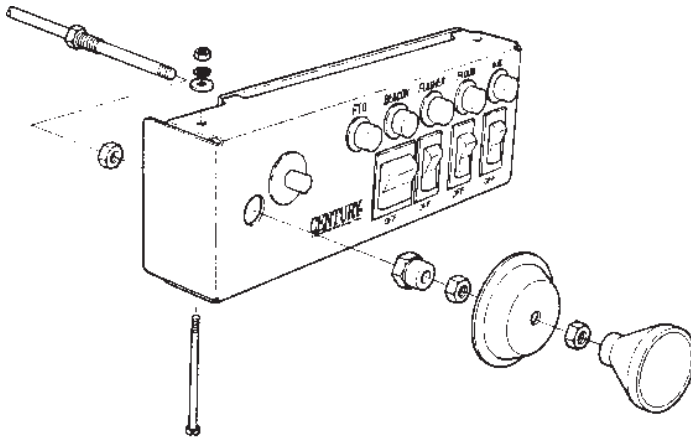
OPTIONAL LIGHTING ACCESSORIES



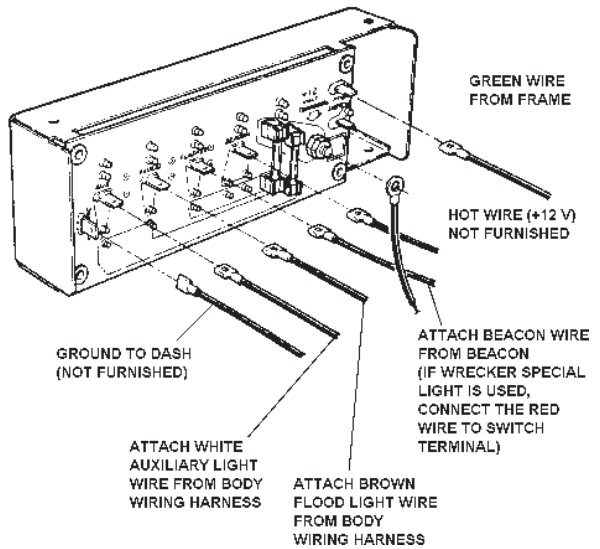
REF. NO.	NO. REQ'D	PART NUMBER	DESCRIPTION
1	2	0300095	SPOT LIGHT W/GASKET
2	2	0300897	GROMMET, RUBBER
3	1	0301359	WRECKER SPECIAL LIGHT
4	1	0301601	WIRE CLIP
5	8	0400043	SCREW, #10-24 X 1" MACHINE
6	1	0400061	SCREW, 1/4"-20 X 3/4" HEX HD CAP
7	8	0400356	NUT, #10-24 HEX NYLOK
8	1	0400367	NUT, 1/4"-20 HEX NYLOK
9	2	0400392	NUT, 3/8"-16 HEX NYLOK
10	8	0400520	LOCK WASHER, #10
11	2	0709872	RUBBER CUSHION
12	2	0801777	"T" BOLT ADAPTER

Section VI - PARTS (cont'd)

OPTIONAL DASHBOARD PANEL



NOTE: CRIMP ALL WIRE CONNECTORS SECURELY.





Miller Industries Towing Equipment Inc.
8503 Hilltop Drive • Ooltewah, Tennessee 37363 • (423) 238-7227
www.millerind.com