



OWNER'S MANUAL

896 / 897

INSTALLATION, OPERATION, MAINTENANCE & PARTS

NOTE: MANUAL including SPECIFICATIONS, subject to change without notice
All ratings specified are based on structural factors only,
not vehicle capacities or capabilities.



Miller Industries Towing Equipment Inc.
8503 Hilltop Drive
Ooltewah, Tennessee 37363
Phone (423) 238-7227 i FAX (423) 238-7237

FORM NO. 9120305
10 / 2000
PRICE \$15.00

LIMITED WARRANTY

MILLER INDUSTRIES TOWING EQUIPMENT INC., hereinafter referred to as MILLER, warrants to the original purchaser that each new MILLER wrecker or other MILLER products will be free from defects in material and workmanship for a period of twelve (12) months from date placed in service, but in no event shall such warranty period exceed twenty-four (24) months from date of manufacture by MILLER. The purchaser must promptly notify MILLER in writing of any failure in material or workmanship. In no event shall MILLER accept such notification later than twenty-four (24) months from date of delivery or twelve (12) months from date placed in service, whichever is earlier.

MILLER's obligation under this warranty, statutory or otherwise, is limited to the repair or replacement at the MILLER factory, or at a point designated by MILLER, of such part or parts as shall appear upon inspection by MILLER to be defective in material or workmanship. New or remanufactured parts will be used for any replacement at MILLER's option. This warranty is not transferable. This warranty does not obligate MILLER to bear the cost of labor or transportation charges in connection with the repair or replacement of any parts found to be defective, nor shall it apply to a product upon which repairs or alterations have been made unless authorized by MILLER.

EXCEPT AS EXPRESSLY SET FORTH IN THIS WARRANTY, MILLER MAKES NO OTHER WARRANTY, EXPRESS OR IMPLIED, AND HEREBY DISCLAIMS ALL OTHER WARRANTIES INCLUDING, BUT NOT LIMITED TO, THE IMPLIED WARRANTIES OF MERCHANTABILITY AND FITNESS FOR A PARTICULAR PURPOSE. MILLER shall in no event be liable for claimed downtime, claimed loss of profits or goodwill, or any other special, incidental, indirect, or consequential damages concerning or relating to any product or parts, whether based on negligence, strict liability, breach of contract, breach of warranty, misrepresentation or any other legal theory, regardless of whether the loss resulted from any general or particular requirement which MILLER knew or had reason to know about at the time of sale.

MILLER MAKES NO WARRANTY, EXPRESS OR IMPLIED, AS TO THE FINISHED PRODUCTS MANUFACTURED OR SUPPLIED BY ANOTHER MANUFACTURER AND SUPPLIED BY MILLER TO PURCHASER, including, but not limited to, any vehicle to which a MILLER product may be affixed or any accessories or wire rope, and MILLER EXPRESSLY DISCLAIMS ANY IMPLIED WARRANTIES OF MERCHANTABILITY OR FITNESS FOR A PARTICULAR PURPOSE AS TO SUCH EQUIPMENT OR PRODUCTS. This language shall in no way affect or diminish the rights of the purchaser to rely on such warranties as are extended by such manufacturers or suppliers. MILLER shall, to the extent permitted under applicable law, pass on to the purchaser such manufacturer's or seller's warranty.

MILLER, whose policy is one of continuous improvement, reserves the right to improve its products through changes in design or materials as it may deem desirable without being obligated to incorporate such changes in products previously sold. This warranty is not intended to cover or include the following items, which are set forth by way of example and not limitation:

- A. Normal deterioration of trim, paint, lettering, and appearance items due to wear or exposure to weather, road conditions, road treatments, etc.
- B. Any damage or defect due to accident, misuse, abuse, improper or unauthorized repairs, failure to provide reasonable and necessary maintenance, or uses for which the equipment was not designed or intended.
- C. Alterations or modifications that affect performance, operation or reliability.
- D. Normal maintenance parts including, but not limited to, wear pads, bushings, wire rope, mud flaps, fenderettes, light bulbs, hydraulic oil, filters, and tow sling belts.

IT IS EXPRESSLY UNDERSTOOD THAT MILLER MAKES NO IMPLIED WARRANTY THAT MILLER PRODUCTS SHALL BE FIT FOR THE PURPOSE OF LIFTING OR MOVING PEOPLE OR FOR ANY OTHER IMPROPER USE.



Miller Industries Towing Equipment Inc.
8503 Hilltop Drive
Ooltewah, Tennessee 37363

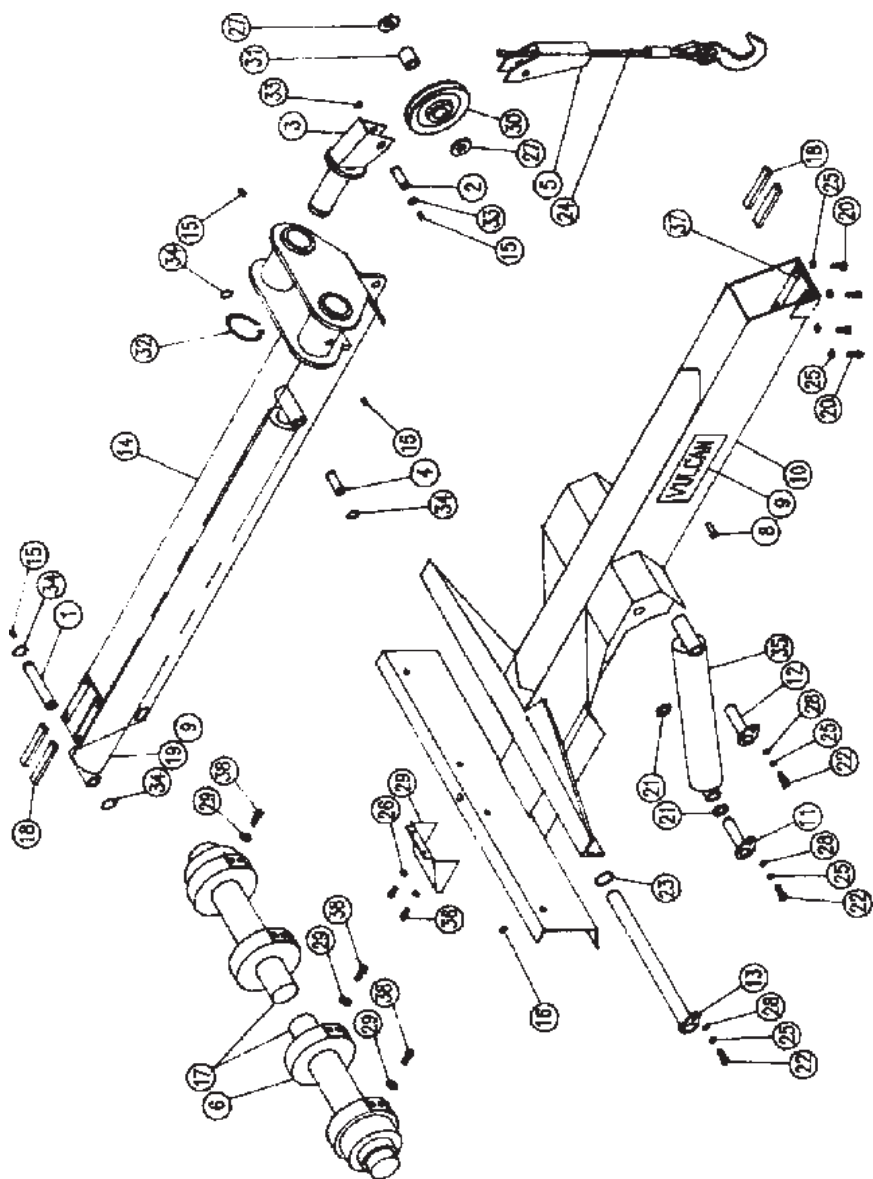
Telephone (423) 238-4171

SERIAL NUMBER

Section VI - REPLACEMENT PARTS

Section VI - REPLACEMENT PARTS (cont'd)

896040000 896 BOOM ASSEMBLY



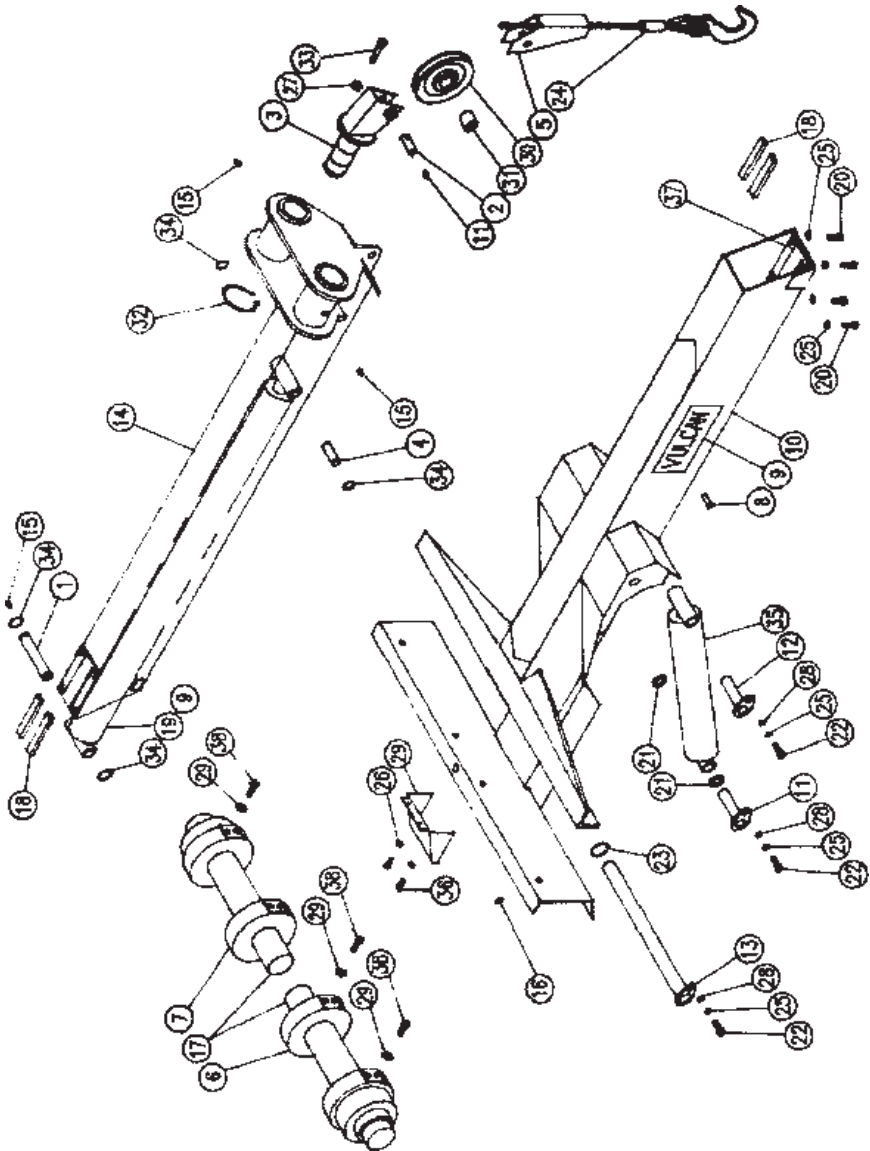
Section VI - REPLACEMENT PARTS (cont'd)

896040000 896 BOOM ASSEMBLY

ID NO	PART NO	DESCRIPTION	QTY
1	896400004	PIN, BOOM EXT. CYLINDER (FRONT)	1
2	805180001	SHEAVE, SHAFT	2
3	804181500	SHEAVE HOUSING	2
4	896400005	PIN, EXTENSION. CYLINDER. (REAR)	1
5	852060100	ROPE GUIDE ASSEMBLY	2
6	9048898	HYDRAULIC WINCH, LH & RH	2
7	0906032	FREESPOOL (NOT SHOWN)	1
8	9046572	POP RIVET	6
9	9033208	VULCAN NAME PLATE	2
10	896230000	DUAL WINCH OUTER BOOM	1
11	880400500	PIN, BOOM LOWER LIFT CYLINDER.	2
12	880401500	BOOM LIFT CYLINDER. UPPER PIN	2
13	660402000	BOOM PIVOT PIN	1
14	896520000	INNER BOOM (D/SHEAVE)	1
15	9012501	1/4"-28 GREASE NIPPLE	5
16	9012532	1/8" NPT GREASE NIPPLE	1
17	30345	HYDRAULIC MOTOR	2
18	896040002	WEAR PAD	4
13	896680000	EXTENSION CYLINDER (BOOM)	1
20	9041204	3/8" NC X 1" HEX HD CAP SCREW	4
21	896100016	SPACER	4
22	9041206	3/8" NC X 1 1/4 HEX HD CAP SC	5
23	9056150	1 1/2" RETAINING RING	1
24	0302723	CABLE, 7/16" DIA. X 150'	1
25	9045057	3/8" BS LOCK WASHER-PLATED	9
26	9045055	1/4" BS LOCK WASHER-PLATED	2
27	9045215	1" BS FLAT WASHER	4
28	9045255	3/8" BS FLAT WASHER	5
29	-	M12 FLAT WASHERS	16
30	9050504	SHEAVE WHEEL	2
31	9053713	BEARING, 1-1/2" ID	2
32	9055275	2-3/4" EXTERNAL RET. RING	2
33	9056098	1" EXTERNAL RET. RING	4
34	9056125	1-1/4" EXTERNAL RETAINER RING	4
35	880740000	LIFT CYLINDER (BOOM)	2
36	9041005	1/4" NC X 1" HEX HD CAP SCREW	2
37	896040001	PAD RETAINING PLATE	1
38	-	M12 X 1.75 BOLT	16

Section VI - REPLACEMENT PARTS (cont'd)

897040000 897 BOOM ASSEMBLY



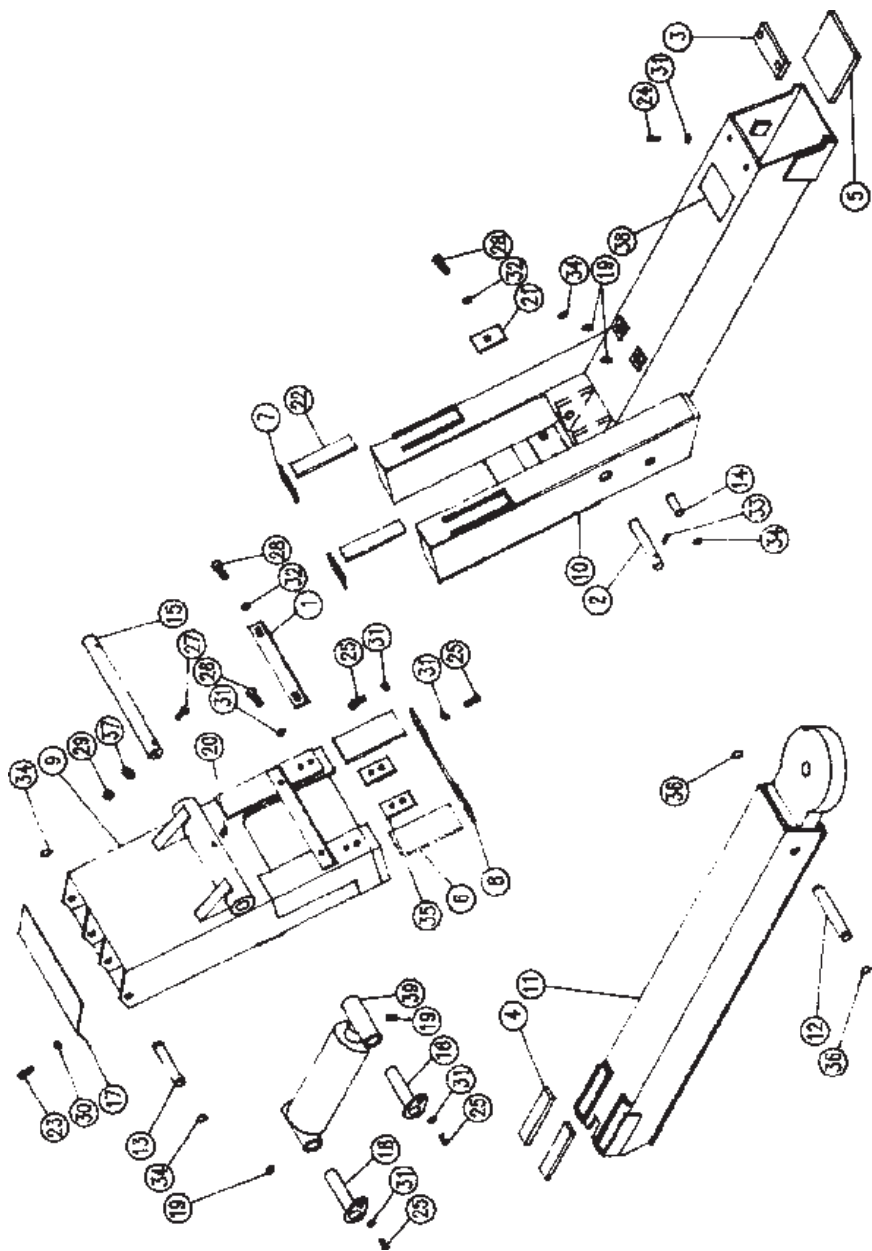
Section VI - REPLACEMENT PARTS (cont'd)

897040000 897 BOOM ASSEMBLY

ID NO	PART NO	DESCRIPTION	QTY
1	896400004	PIN, BOOM EXT. CYLINDER (FRONT)	1
2	9401004	SHEAVE, SHAFT	2
3	920101000	SHEAVE HOUSING	2
4	896400005	PIN, EXTENSION. CYLINDER. (REAR)	1
5	9401070	ROPE GUIDE ASSEMBLY	2
6	9048465	HYDRAULIC WINCH, LH	1
7	9048464	HYDRAULIC WINCH, RH	1
8	9046572	POP RIVET	6
9	9033208	VULCAN NAME PLATE	2
10	897200000	DUAL WINCH OUTER BOOM	1
11	880400500	PIN, BOOM LOWER LIFT CYLINDER.	2
12	880401500	BOOM LIFT CYLINDER. UPPER PIN	2
13	660402000	BOOM PIVOT PIN	1
14	897500000	INNER BOOM (D/SHEAVE)	1
15	9012501	1/4"-28 GREASE NIPPLE	4
16	9012532	1/8" NPT GREASE NIPPLE	2
17	0302627	HYDRAULIC MOTOR	2
18	896040002	WEAR PAD	4
13	896680000	EXTENSION CYLINDER (BOOM)	1
20	9041204	3/8" NC X 1" HEX HD CAP SCREW	4
21	896100016	SPACER	4
22	9041206	3/8" NC X 1 1/4 HEX HD CAP SC	5
23	9056150	1 1/2" RETAINING RING	1
24	0302848	CABLE, 1/2" DIA. X 150'	1
25	9045057	3/8" BS LOCK WASHER-PLATED	9
26	9045055	1/4" BS LOCK WASHER-PLATED	2
27	9043306	3/8" NC FLAT WASHER	2
28	9045255	3/8" BS FLAT WASHER	5
29	0400487	7/16" LOCKWASHER	16
30	9401002	SHEAVE WHEEL	2
31	9401007	BEARING, 1-1/2" ID	2
32	9055400	2-3/4" EXTERNAL RET. RING	2
33	9041217	3/8"NC X 4" HX HD CAP SCREW	2
34	9056125	1-1/4" EXTERNAL RETAINER RING	4
35	880740000	LIFT CYLINDER (BOOM)	2
36	9041005	1/4" NC X 1" HEX HD CAP SCREW	2
37	896040001	PAD RETAINING PLATE	1
38	0400234	7/16" X 1-1/4" HX HD CAP SCREW	16
39	897040200	CABLE TENSIONER	2

Section VI - REPLACEMENT PARTS (cont'd)

897050000 UNDERLIFT ASSEMBLY



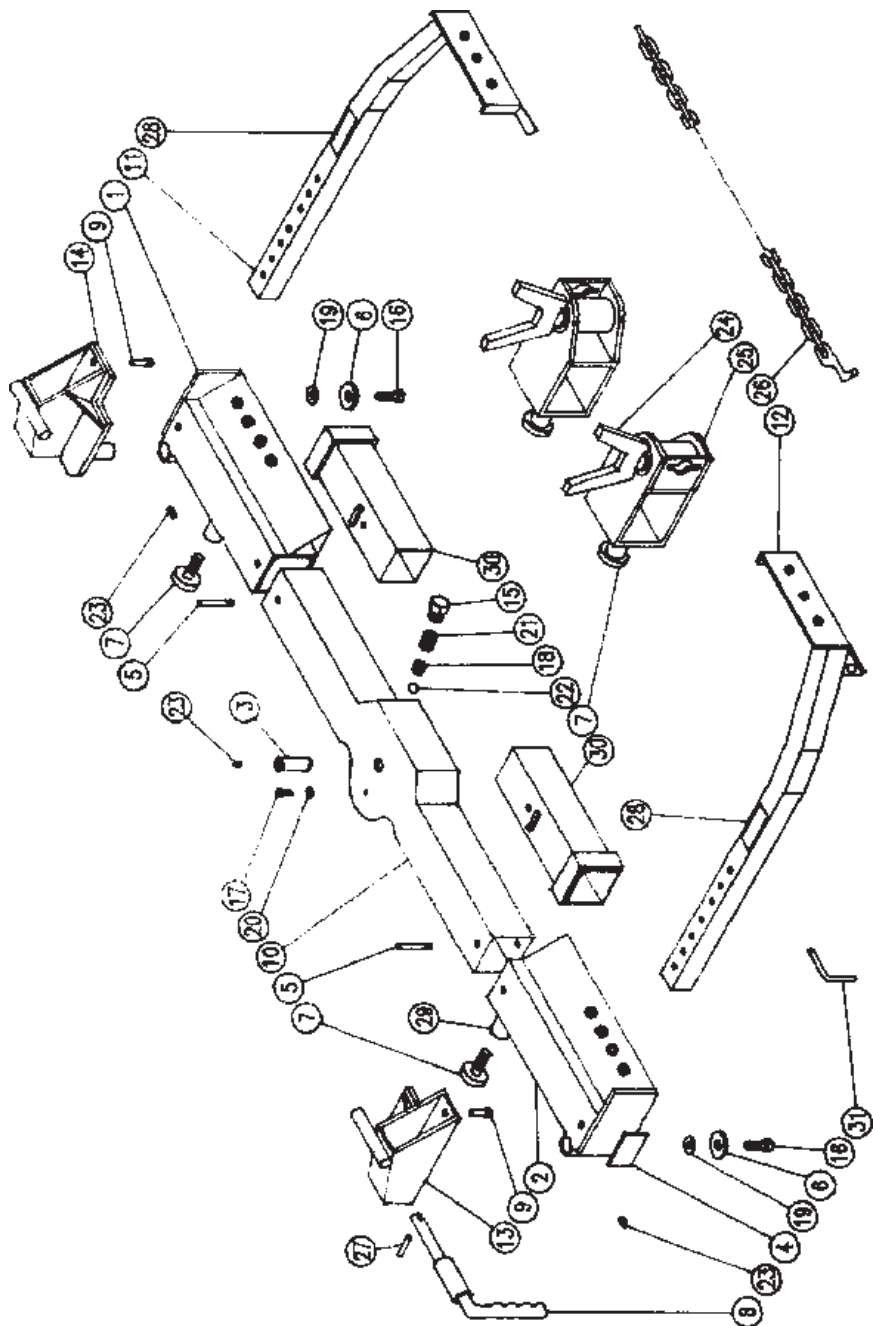
Section VI - REPLACEMENT PARTS (cont'd)

897050000 UNDERLIFT ASSEMBLY

ID NO	PART NO	DESCRIPTION	QTY
1	8602100	HOSE CLAMP	1
2	896400001	PIN, LIFT CYLINDER. (LOWER)	1
3	880060001	SPACER BAR (STINGER)	1
4	880060002	UPPER PAD	2
5	880060003	LOWER PAD	1
6	880060004	WEAR PAD	2
7	880060005	PAD HOLDER	2
8	880060007	PAD RETAINER PLATE	1
9	897250000	STINGER TILT COLUMN	1
10	897300000	OUTER BOOM	1
11	896350000	INNER BOOM	1
12	880400001	PIN, EXTENSION CYLINDER., REAR MTG	1
13	896400002	PIN, LIFT CYLINDER., UPPER	1
14	896400003	PIN, EXTENSION CYLINDER., FRONT MTG	1
15	880400004	TILT COLUMN PIVOT PIN	1
16	880400500	PIN, TILT CYLINDER., LOWER	1
17	896050001	COVER plate	1
18	880401000	PIN, STINGER UPPER TILT CYLINDER.	1
19	9012501	GREASE NIPPLE	3
20	9012536	GREASE NIPPLE , 90	1
21	8600203	HOSE CLAMP PLATE	2
22	9031158	UHMW WEAR BAR	2
23	9041005	1/4 x 1 NC HEX HD CAP SCREW	2
24	5041201	3/8 x 1/2 NC HEX HD CAP SCREW	2
25	9041204	3/6 X 7/8 NC HEX HD CAP SCREW	9
26	9041205	3/8 NC X 1" HEX HD CAP SCREW	4
27	9041213	3/8 NC X 3" HEX HD CAP SCREW	1
28	9041353	7/16 NF X 3/4 HEX HD CAP SCREW	4
29	0043306	3/8 NC HEX NUT, NYLOK	1
30	9045055	1/4" BS LOCKWASHER	2
31	9045057	3/8" BS LOCKWASHER	15
32	9045058	7/16" BS LOCKWASHER	4
33	9048061	HITCH PIN CLIP	1
34	9056098	1" EXTENSION. HEAVY DUTY RET. RING	4
35	8600204	SPACER BAR (TILT COLUMN)	9
36	9056125	1-1/4" EXTENSION. HD RET. RING	2
37	9045255	3/8" BS FLAT WASHER	1
38	9033194	WARNING DECAL	1
39	896670000	TILT CYLINDER	1

Section VI - REPLACEMENT PARTS (cont'd)

896360000 CROSSBEAM ASSEMBLY W/WHEEL RETAINERS



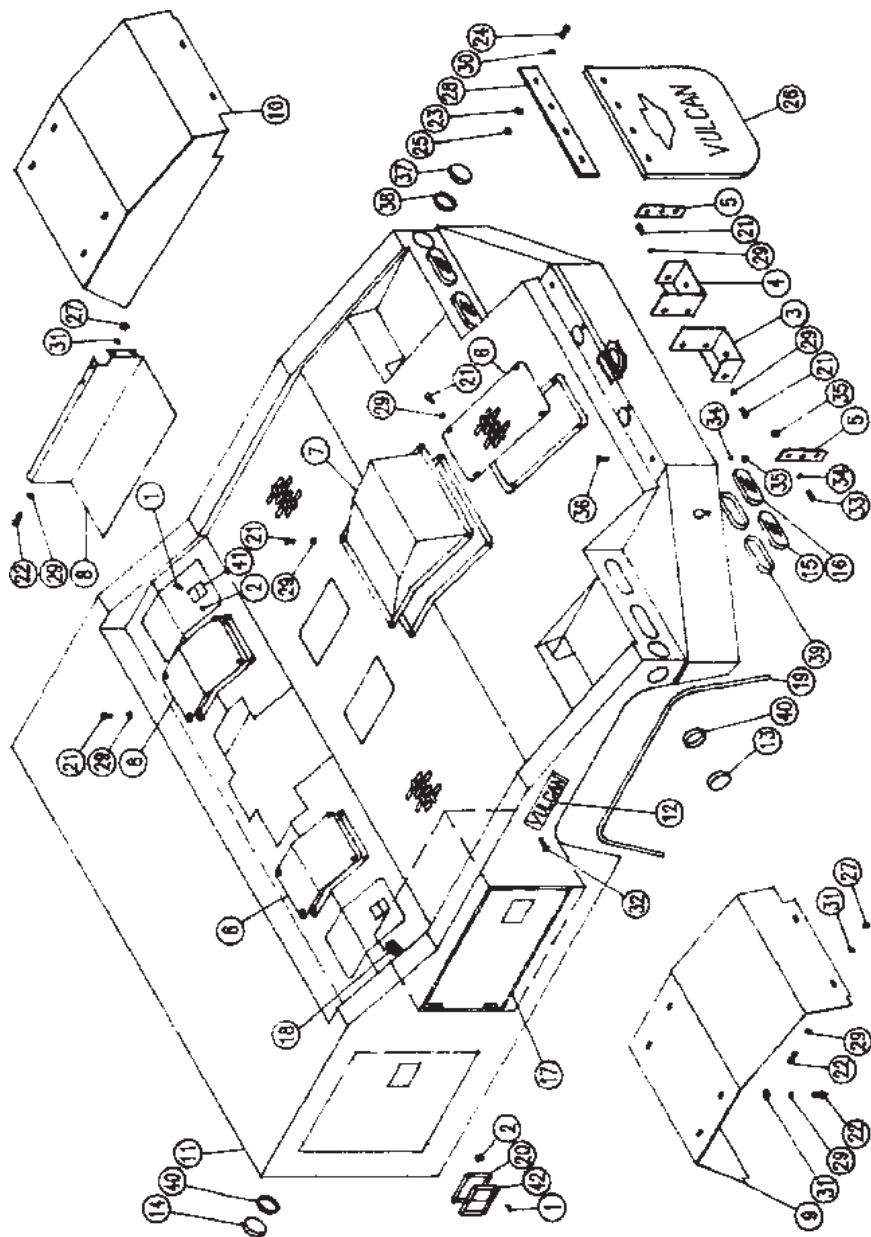
Section VI - REPLACEMENT PARTS (cont'd)

896360000 CROSSBEAM ASSEMBLY W/WHEEL RETAINERS

ID NO	PART NO	DESCRIPTION	QTY
1	896377500	WHEEL GRID, RH	1
2	896370500	WHEEL GRID, LH	1
3	896401000	CROSSBEAM PIVOT PIN	1
4	9025068	REFLECTOR	2
5	896360001	STOPPER PIN	2
6	896380002	WASHER, 11/16 ID X 2 OD	2
7	8601900	SLIDE LOCK HANDLE KNOB ASSEMBLY	2
8	880411500	STOP PIN ASSEMBLY	2
9	896380001	SCOOP LOCK PIN	2
10	896360500	STINGER CROSSBEAM	1
11	896397000	WHEEL RETAINER, RH	1
12	896390000	WHEEL RETAINER, LH	1
13	896380500	LH SCOOP BRACKET	1
14	896387500	RH SCOOP BRACKET	1
15	9012944	PIPE PLUG	1
16	9043950	5/8 NC X 1 1/2 HEX HD CAP SC	2
17	9043956	3/8 NC X 3/4 BUTTON HD AL SC	2
18	9045255	3/8 BS FLAT WASHER	3
19	9045354	5/6 SAE FLAT WASHER	2
20	8600406	3/6 ID X 1" OD FLAT WASHER	1
21	9047057	DIE SPRING	1
22	9052013	1" DIA. BALL BEARING	1
23	9012501	GREASE NIPPLE	2
24	0200018	FRAME FORK	2
25	896410500	FORI HOLDER	2
26	8622850	SAFETY CHAIN, 12 FT.	2
27	9046310	ROLL PIN	2
28	9033198	SAFETY CHAIN DECAL	2
29	8601608	SLIDE LOCK SOCKET	2
30	896361000	EXTENSION TUBE	2
31	896380504	LOCK PIN	2
32	0200019	FRAME FORK (NOT SHOWN)	2

Section VI - REPLACEMENT PARTS (cont'd)

896 & 897 BODY ASSEMBLY



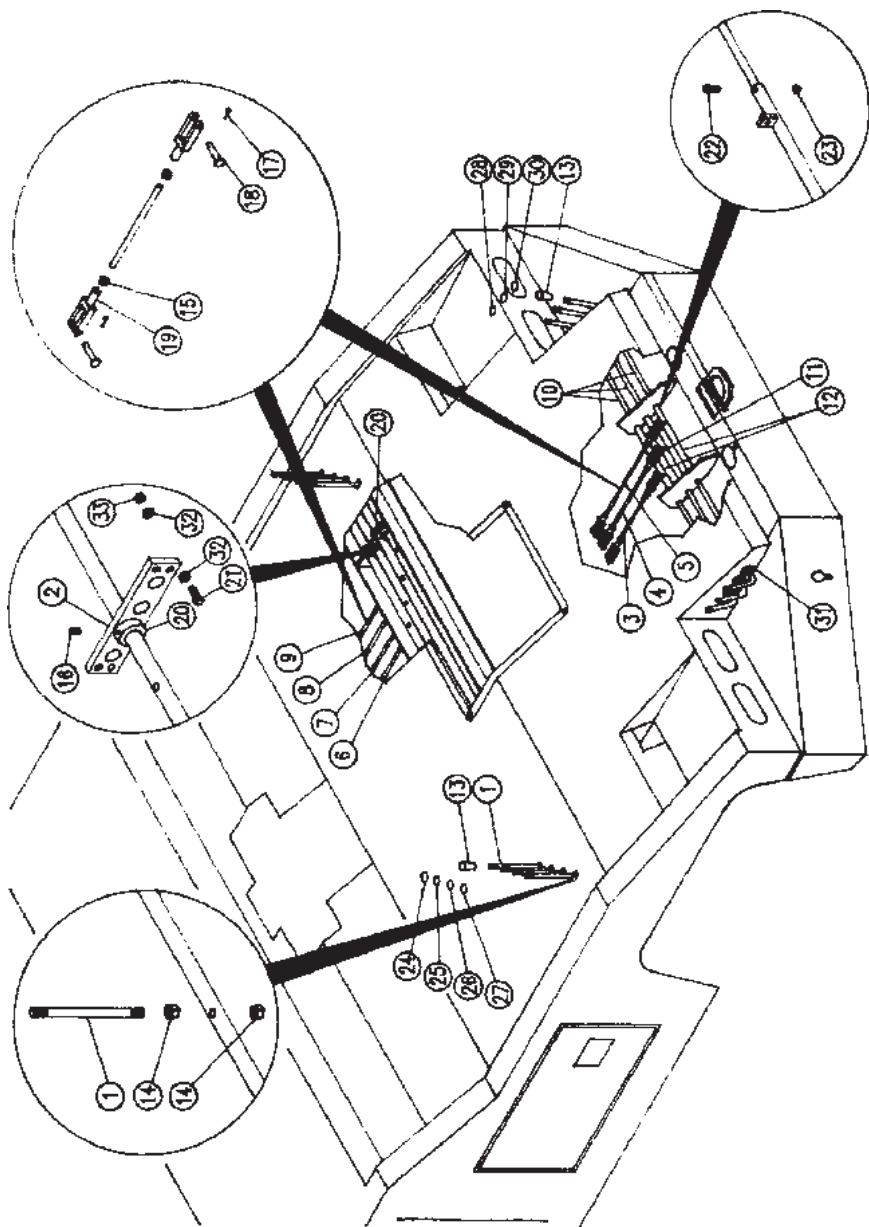
Section VI - REPLACEMENT PARTS (cont'd)

896 & 897 BODY ASSEMBLY

ID NO	PART NO	DESCRIPTION	QTY
1	9043951	#8-32 X 1" ONE WAY SCREW	12
2	9043399	#8-32 NYLOK HEX NUT	12
3	896154000	CHAIN POCKET, LH	1
4	896158000	CHAIN POCKET, RH	1
5	880090002	REAR CHASSIS MOUNTING PLATE	2
6	896151507	ACCESS COVER PLATE (REAR DCV)	1
7	880122500	ACCESS COVER	1
6	896151003	ACCESS PANEL	2
9	896154500	INNER FENDER, LH	1
10	896158500	INNER FENDER, RH	1
11	896140000	BODY	1
12	9033208	VULCAN NAME PLATE	2
13	9025116	MARKER LIGHT - RED - 2 1/2"	2
14	9025119	MARKER LIGHT - AMBER - 2 1/2"	2
15	9025069	STOP/TAIL LIGHT	2
16	9025070	BACK UP LIGHT	2
17	9032006	WEATHER STRIP	8.1'
18	9032053	RUBBER GROMMET	1
19	9032096	TRIM	8.5'
20	9049016	RUBBER GASKET	3
21	9041001	1/4 NC X 1/2 HEX HD CAP SCREW	18
22	9041004	1/4 NC X 7/8 HEX HD CAP SCREW	16
23	9045204	5/16 FLAT WASHER	10
24	9041104	5/16 NC X 7/8 HEX HD CAP SCREW	8
25	9043102	5/16 NC HEX NUT	8
26	9032092	MUD FLAP (OPTIONAL)	2
27	9043125	1/4 NC HEX NUT	6
28	804500001	MUD FLAP PLATE	2
29	9045055	1/4 LOCK WASHER	36
30	9045056	5/16 LOCK WASHER	8
31	9045253	1/4 FLAT WASHER	16
32	9046572	POP RIVET	8
33	9044405	1/2 NC X 1 3/4 HEX HD GRD8	4
34	9045257	1/2 FLAT WASHER	6
35	9043311	1/2 NYLOK HEX NUT	6
36	9043948	1/2 NC X 1 1/2 CARRIAGE BOLT	2
37	9025112	MARKER LIGHT - RED - 2"	2
38	9025118	RUBBER GROMMET - 2"	2
39	9025107	RUBBER GROMMET - OVAL	4
40	9025116	RUBBER GROMMET- 2 1/2"	4
41	9048895	PADDLE HANDLE	2
42	9048750	LATCH	3

Section VI - REPLACEMENT PARTS (cont'd)

896030000 BODY ASSEMBLY - ROD CONNECTORS

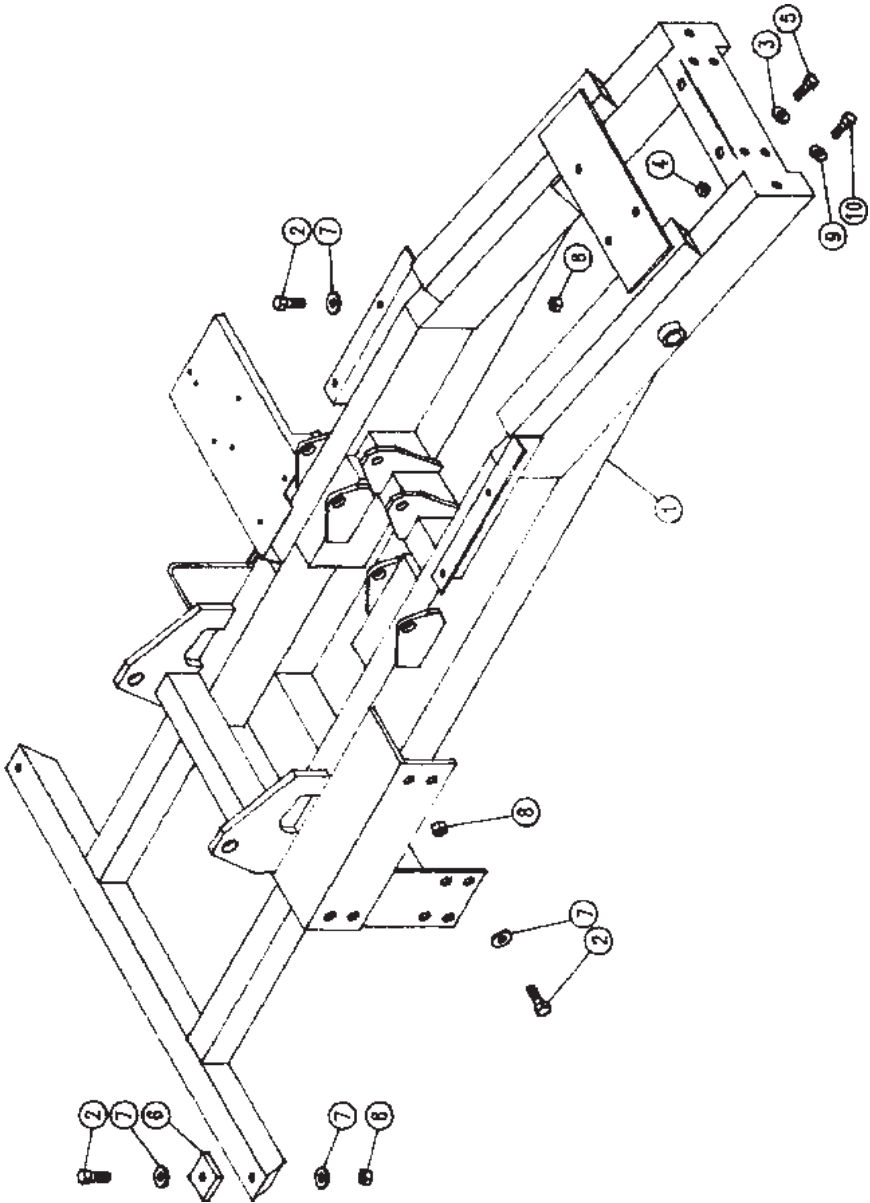


Section VI - REPLACEMENT PARTS (cont'd)

896030000 BODY ASSEMBLY - ROD CONNECTORS

ID NO	PART NO	DESCRIPTION	QTY
1	880460008	CONNECTORTROL HANDLE	8
2	9031240	CONNECTORTROL ROD MOUNTING PAD	2
3	880465001	3" CONNECTORTROL ROD	1
4	880465002	4 1/2" CONNECTORTROL ROD	1
5	880465003	6" CONNECTORTROL ROD	1
6	880465004	CONNECTORTROL ROD	1
7	880465005	10 1/2" CONNECTORTROL ROD	1
8	880465006	12" CONNECTORTROL ROD	1
9	880465007	13 1/2" CONNECTORTROL ROD	1
10	880470001	CONNECTORTROL ROD	6
11	880470500	REAR CONNECTORTROL ROD	1
12	880471000	REAR CONNECTORTROL ROD	2
13	9032106	CONNECTORTROL KNOB	14
14	9043129	1/2 NC HEX NUT	16
15	9043171	5/16 NE HEX NUT	14
16	9043939	5/16 NC X 3/8 SELF LK SET SC	8
17	9046009	3/32 COTTER PIN	14
18	9046501	5/16 CLEVIS PIN	14
19	9048006	5/16 YOKE END	14
20	9048637	COLLAR	8
21	9041108	5/16" X 1 3/4 LG. HEX HD CAP SCREW	8
22	9043419	8-32 X 1" SOCKET HD CAP SC	6
23	9043395	#8-32 NYLOK HEX NUT	6
24	9033156	DECAL-BOOM UP/DOWN	2
25	9033149	DECAL-BOOM IN/OUT	2
26	9033151	DECAL-RH WINCH	2
27	9033152	DECAL-LH WINCH	2
28	9033153	DECAL-STINGER IN/OUT	2
29	9033155	DECAL-STINGER TILT	2
30	9033154	DECAL-STINGER UP/DOWN	2
31	9053715	BUSHING	12
32	9045353	5/16" SAE FLAT WASHER	16
33	9043334	5/16" NYLOK NUT	8

Section VI - REPLACEMENT PARTS (cont'd)
896020000 SUBFRAME ASSEMBLY

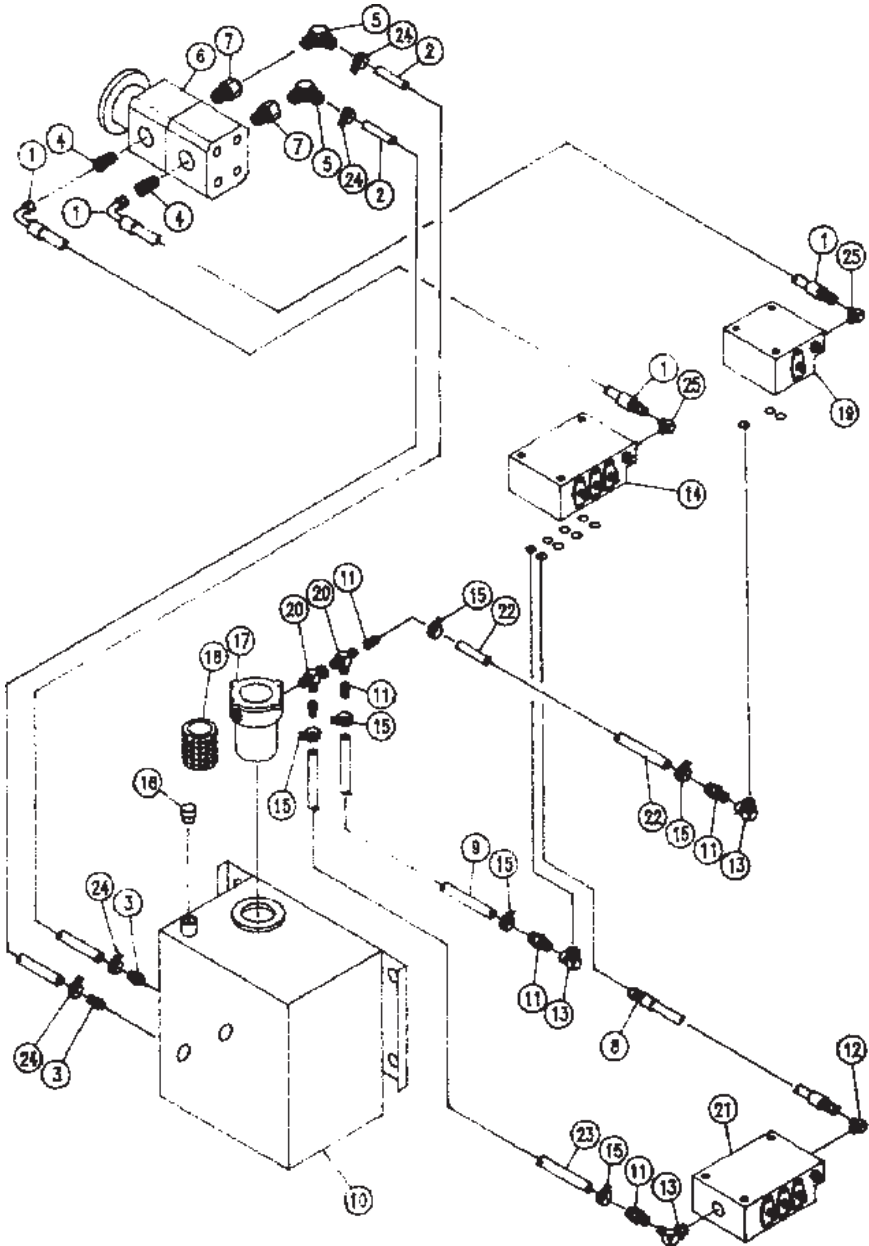


Section VI - REPLACEMENT PARTS (cont'd)
896020000 SUBFRAME ASSEMBLY

ID NO	PART NO	DESCRIPTION	QTY
1	896100000	SUBFRAME ASSEMBLY	1
2	9041403	1/2 X 1 1/2 HEX HD GRD8	10
3	9045358	5/8 FLAT WASHER	4
4	9043307	5/8 NC NYLOK HEX NUT	4
5	9044409	5/8 X 2 1/4 GR5 HEX HD	4
6	896050002	RUBBER PAD	2
7	9045257	1/2" FLAT WASHER	16
8	9043311	1/2" NYLOK NUT	10
9	9045061	5/8" LOCK WASHER	2
10	9041604	5/8" X 1 3/4 H.HEX HD CAP SCREW	2

Section VI - REPLACEMENT PARTS (cont'd)

SUBFRAME HYDRAULIC COMPONENTS



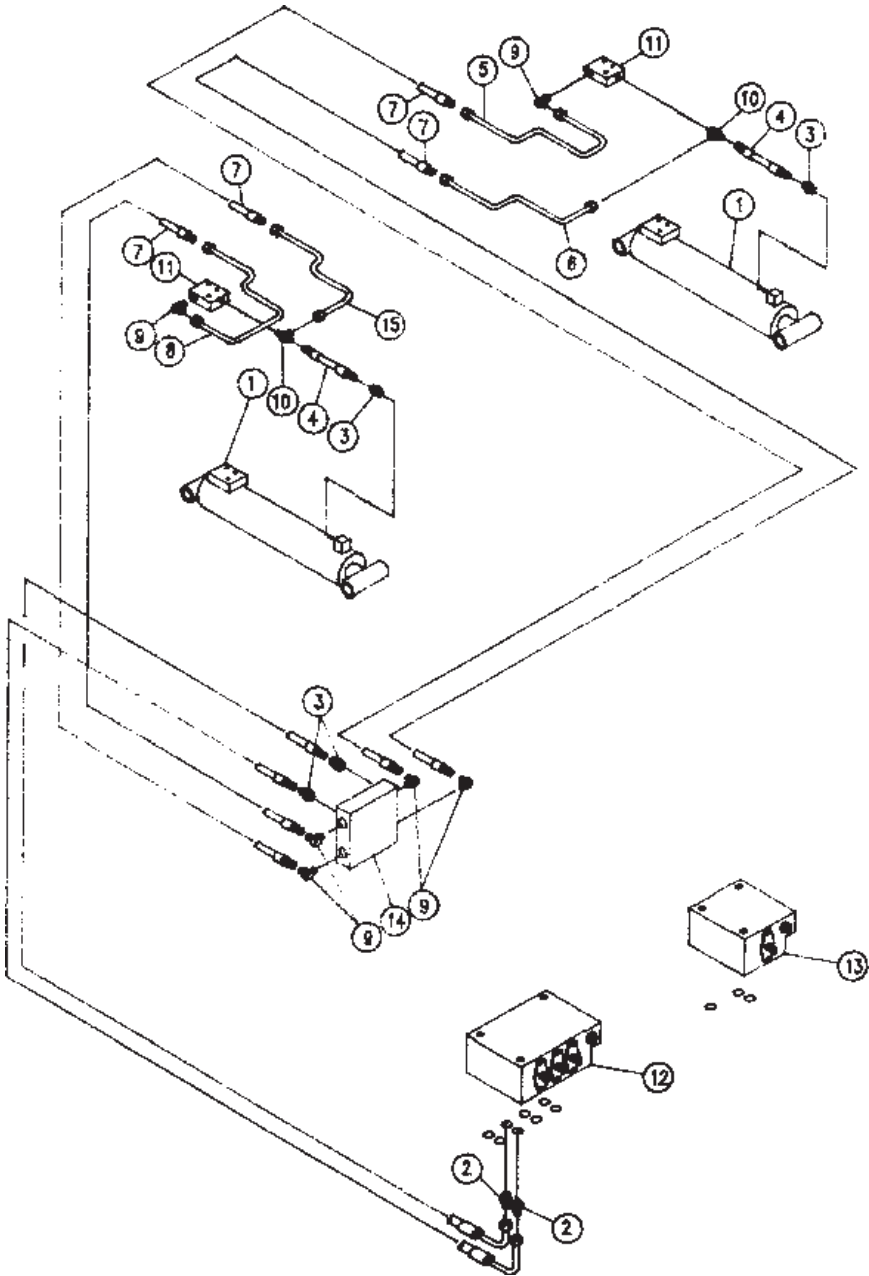
Section VI - REPLACEMENT PARTS (cont'd)

SUBFRAME HYDRAULIC COMPONENTS

ID NO	PART NO	DESCRIPTION	QTY
1	896770007	HOSE ASSEMBLY	2
2	896770009	HOSE ASSEMBLY	2
3	9012881	HOSE BARB 1" NPT X 1-1/4"	2
4	9012965	1/16"-12 SAE X 1-1/16" JIC	2
5	9012828	1" 90° DEGREE ELBOW	2
6	9016705	HYDRAULIC PUMP - 2 SECTION	1
7	9012962	1-5/16"-12 SAE X 1" NPT Adapter	2
8	880010017	HYDRAULIC HOSE ASSEMBLY 63"	1
9	880010018	HYDRAULIC HOSE ASSEMBLY 26"	1
10	896031500	HYDRAULIC TANK WELDMENT	1
11	9012811	3/4 TO 3/4 BRASS HOSE BARB	6
12	9012946	3/4 JIC X 1/8" SAE-90° ELBOW	1
13	9012981	1/8 SAE X 3/4 NPT-90° FEMALE ELBOW	2
14	9015745	3 SECTION HYDRAULIC VALVE	1
15	9018016	HOSE CLAMP	6
16	9018131	BREATHER CAP	1
17	9018307	FILTER	1
18	9018309	FILTER ELEMENT	1
19	9015744	SECTION HYDRAULIC VALVE	1
20	9012945	STRAIGHT TEE	2
21	9015733	3 SECTION HYDRAULIC VALVE	1
22	896770009	RETURN LINE	1
23	880010019	RETURN LINE	1
24	9018092	HOSE CLAMP	4
25	9013056	1 1/16-12 JIC X 7/8-14 SAE 90°	2

Section VI - REPLACEMENT PARTS (cont'd)

BOOM LIFT CYLINDER HYDRAULIC COMPONENTS



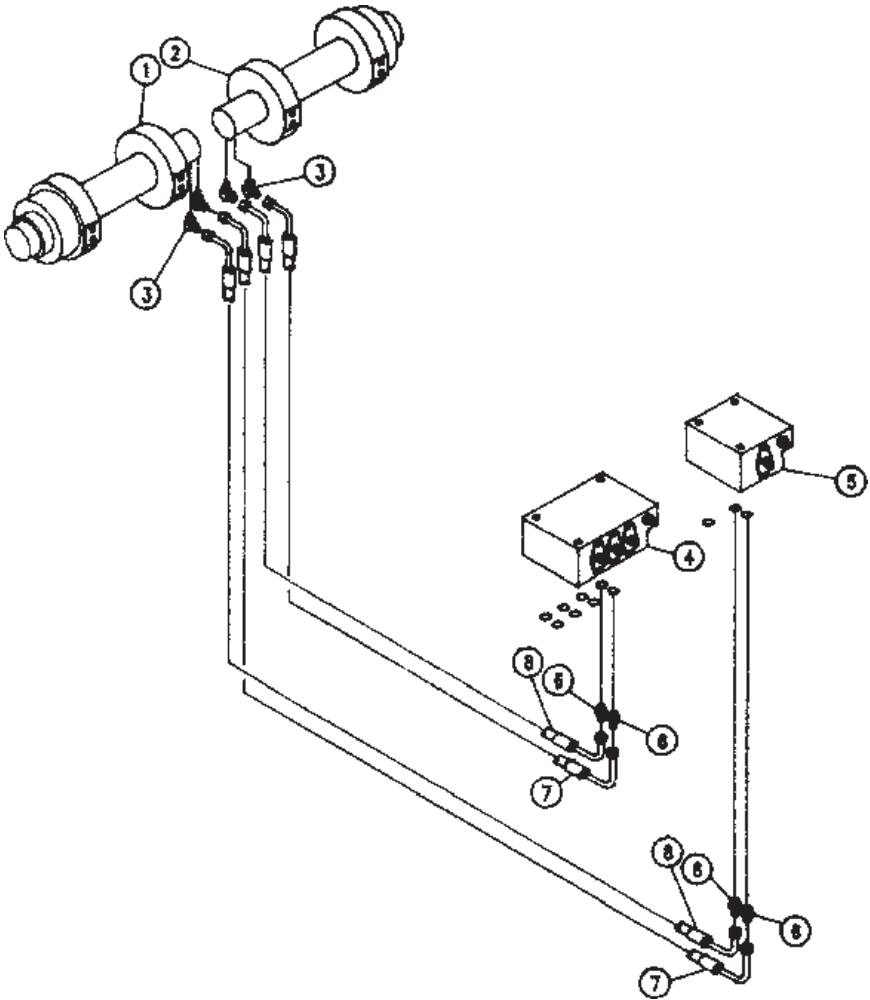
Section VI - REPLACEMENT PARTS (cont'd)

BOOM LIFT CYLINDER HYDRAULIC COMPONENTS

ID NO	PART NO	DESCRIPTION	QTY
1	880740000	BOOM LIFT CYLINDER	2
2	9011653	9/16"-18 JIC X 3/4-16 SAE	2
3	9012565	MALE CONN. 9/16"-18JIC X 9/16"-18	4
4	860010001	HYDRAULIC HOSE ASSEMBLY - 11-1/2"	2
5	896760002	HYDRAULIC TUBING	1
6	896160001	HYDRAULIC TUBING	1
7	897770001	HYDRAULIC HOSE ASSEMBLY	4
8	896760004	HYDRAULIC TUBING	1
9	9012593	90° ELBOW 9/16"-18 JIC	2
10	9012594	RUN TEE 06J-X-06S	2
11	9015739	HOLDING VALVE	2
12	9015745	3 SECTION VALVE	1
13	9015744	1 SECTION VALVE	1
14	9018271	TRANSITION VALVE	1
15	896760003	HYDRAULIC TUBING	1

Section VI - REPLACEMENT PARTS (cont'd)

896 WINCH HYDRAULIC COMPONENTS

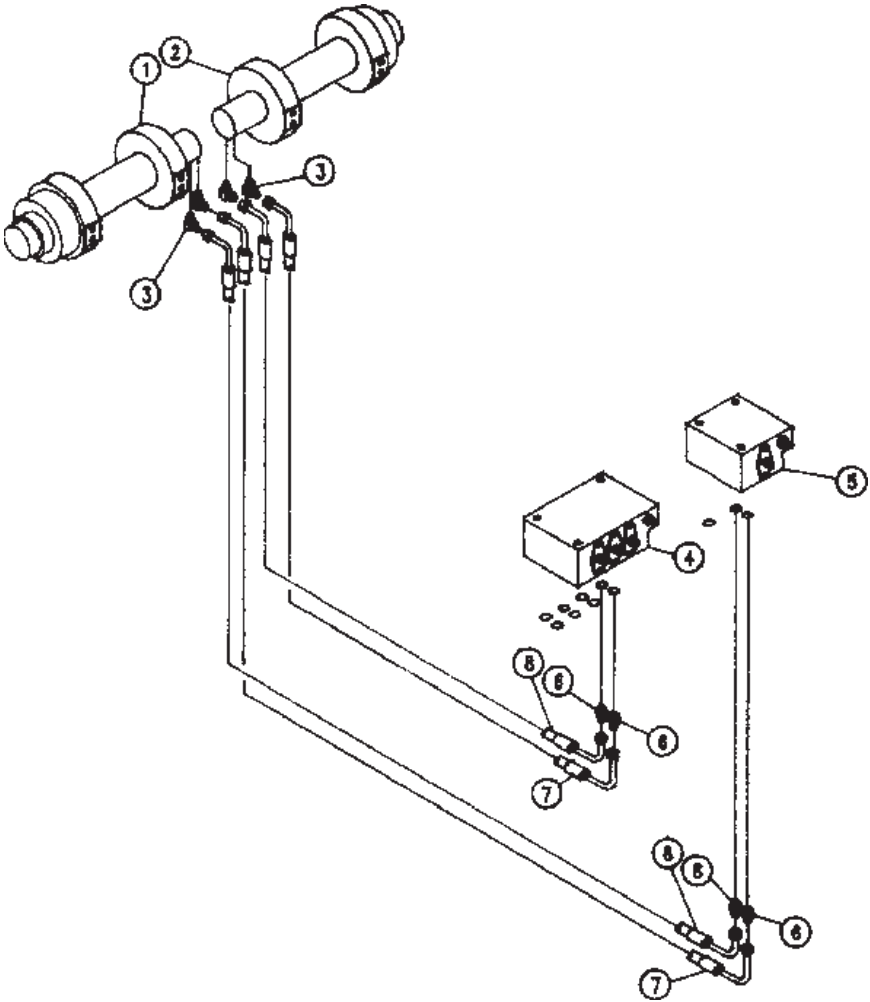


Section VI - REPLACEMENT PARTS (cont'd)
896 WINCH HYDRAULIC COMPONENTS

ID NO	PART NO	DESCRIPTION	QTY
1	9048898	LH WINCH, 6 TON, PLANETARY	1
2	9048898	RH WINCH, 6 TON, PLANETARY	1
3	9013061	90° ELBOW	4
4	9015752	3 SECTION VALVE	1
5	9015756	1 SECTION VALVE	1
6	9011653	9/16"-18 JIC X 3/4-16 SAE	4
7	880010003	HYDRAULIC HOSE ASSEMBLY 83"	2
8	880010010	HYDRAULIC HOSE ASSEMBLY 83"	2

Section VI - REPLACEMENT PARTS (cont'd)

897 WINCH HYDRAULIC COMPONENTS



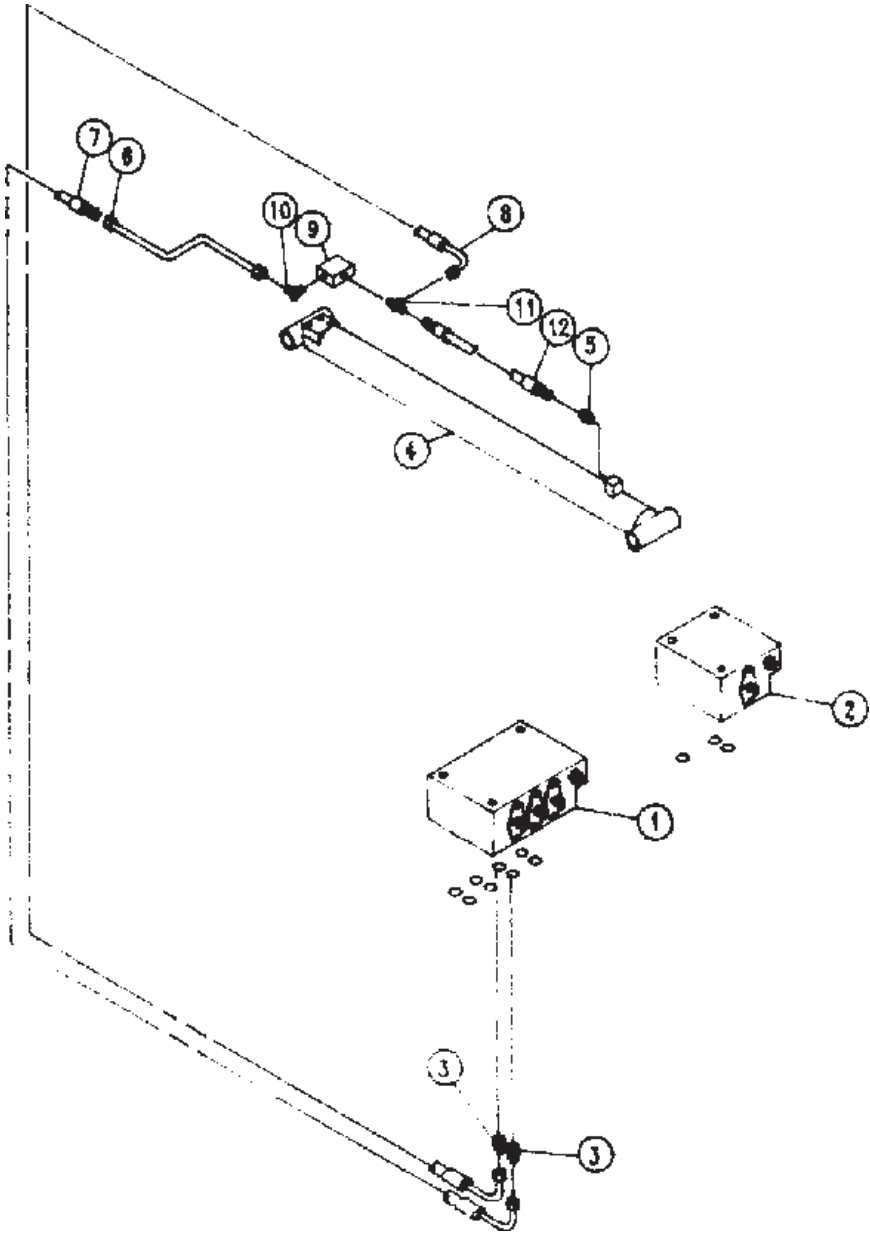
Section VI - REPLACEMENT PARTS (cont'd)

897 WINCH HYDRAULIC COMPONENTS

ID NO	PART NO	DESCRIPTION	QTY
1	9048464	LH WINCH, 7 TON, WORM GEAR	1
2	9048465	RH WINCH, 7 TON, WORM GEAR	1
3	9013061	90° ELBOW	4
4	9015752	3 SECTION VALVE	1
5	9015756	1 SECTION VALVE	1
6	9011653	9/16"-18 JIC X 3/4-16 SAE	4
7	880010003	HYDRAULIC HOSE ASSEMBLY 83"	2
8	880010010	HYDRAULIC HOSE ASSEMBLY 83"	2

Section VI - REPLACEMENT PARTS (cont'd)

BOOM EXTENSION CYLINDER HYDRAULIC COMPONENTS



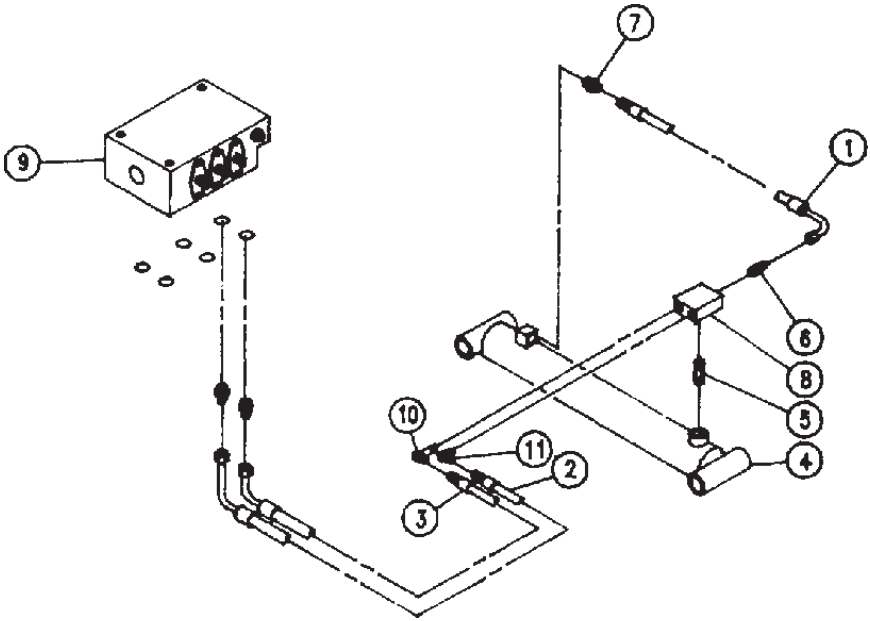
Section VI - REPLACEMENT PARTS (cont'd)

BOOM EXTENSION CYLINDER HYDRAULIC COMPONENTS

ID NO	PART NO	DESCRIPTION	QTY
1	9015752	3 SECTION VALVE	1
2	9015756	1 SECTION VALVE	1
3	9011653	9/16" -18 JIC X 3/4-16 SAE	2
4	8966130000	BOOM EXTENSION CYLINDER	1
5	9012565	MALE CONN. 9/16"-18JIC X 9/16"-18	1
6	880510024	3/8" TUBE ASSEMBLY	1
7	896770005	HYDRAULIC HOSE ASSEMBLY 56"	1
8	896770004	HYDRAULIC HOSE ASSEMBLY 54 1/2"	1
9	9015139	LOCK VALVE	1
10	9012533	90° ELBOW	1
11	9012594	RUN TEE	1
12	896770010	HYDRAULIC HOSE 56 1/2"	1

Section VI - REPLACEMENT PARTS (cont'd)

UNDERLIFT LIFT CYLINDER HYDRAULIC COMPONENTS



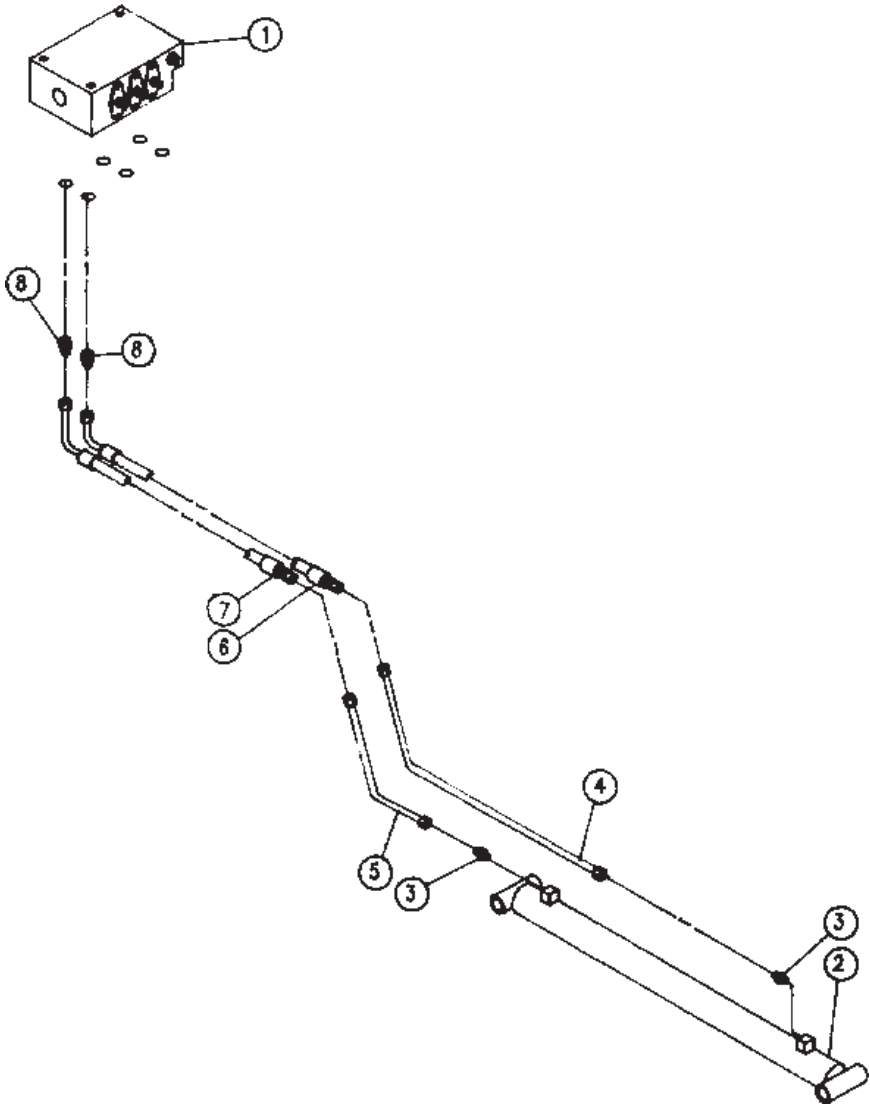
Section VI - REPLACEMENT PARTS (cont'd)

UNDERLIFT LIFT CYLINDER HYDRAULIC COMPONENTS

ID NO	PART NO	DESCRIPTION	QTY
1	880010006	HYDRAULIC HOSE ASSEMBLY - 40"	1
2	880010051	HYDRAULIC HOSE ASSEMBLY - 25 1/2"	1
3	880010008	HYDRAULIC HOSE ASSEMBLY - 25 1/2"	1
4	896650000	STINGER LIFT CYLINDER	1
5	9011610	3/8" HEX NIPPLE	1
6	9011673	3/8 NPT X 9/16" JIC MALE CONNECTOR	1
7	9012565	MALE CONNECTOR 9/16"JIC X 9/16"SAE	1
8	3015713	COUNTERBALANCE VALVE	1
9	9015733	3 SECTION VALVE	1
10	9011534	3/8 NPT X 9/16" JIC MALE 90 L	1
11	9011501	3/8 NPT X 9/16" JIC MALE 90°	1

Section VI - REPLACEMENT PARTS (cont'd)

UNDERLIFT EXTEND CYLINDER HYDRAULIC COMPONENTS

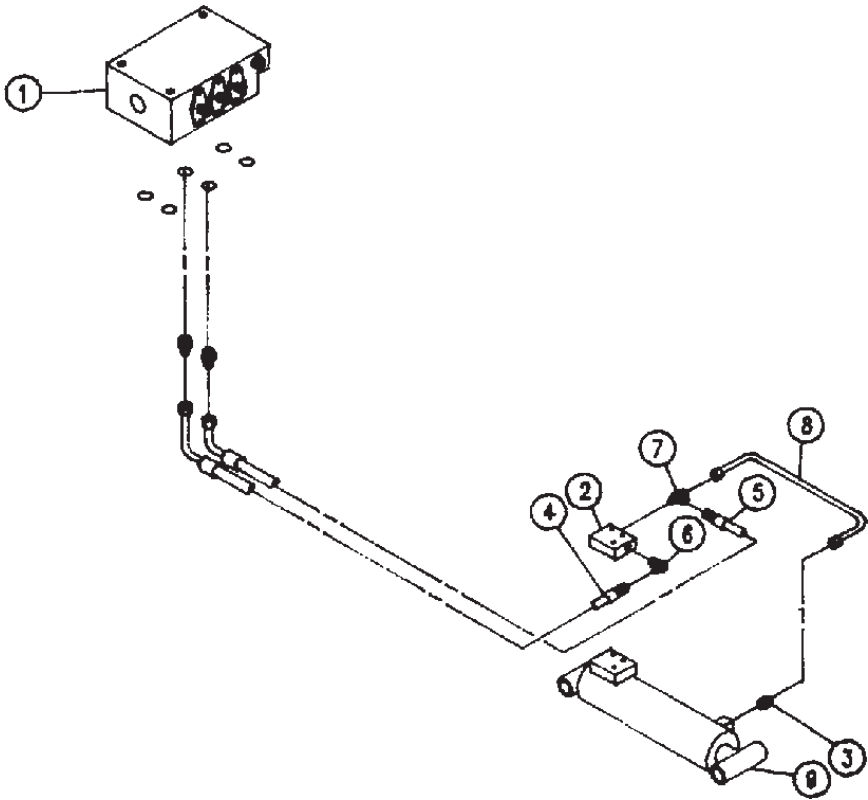


Section VI - REPLACEMENT PARTS (cont'd)
UNDERLIFT EXTEND CYLINDER HYDRAULIC COMPONENTS

ID NO	PART NO	DESCRIPTION	QTY
1	9015733	3 SECTION VALVE	1
2	896700000	STINGER EXTENSION CYLINDER	1
3	9012565	MALE CONNECTOR 9/16"JIC X 9/16"SAE	2
4	880010026	HYDRAULIC TUBE ASSEMBLY	1
5	880010025	HYDRAULIC TUBE ASSEMBLY	1
6	880010015	HYDRAULIC HOSE ASSEMBLY - 57"	1
7	880010016	HYDRAULIC HOSE ASSEMBLY - 57"	1
8	9011653	STRAIGHT MALE CONNECTOR.	2

Section VI - REPLACEMENT PARTS (cont'd)

UNDERLIFT TILT CYLINDER HYDRAULIC COMPONENTS

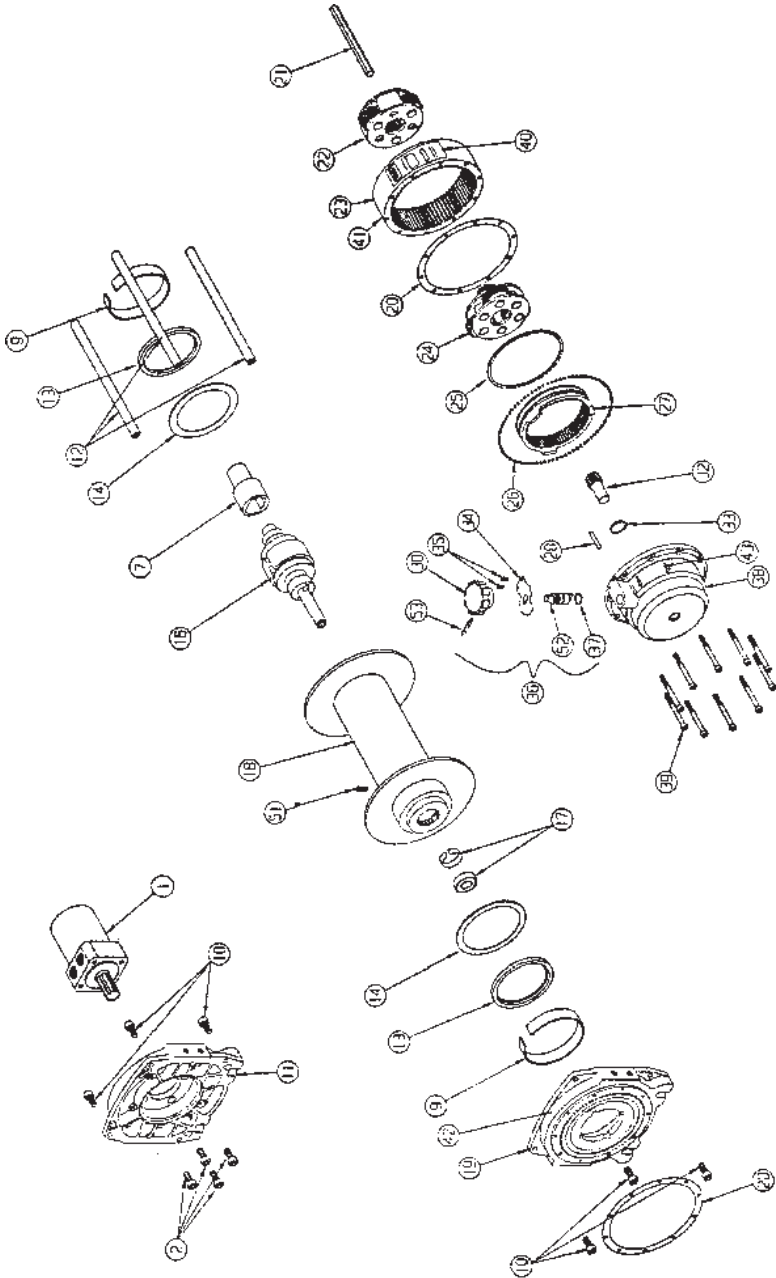


Section VI - REPLACEMENT PARTS (cont'd)
UNDERLIFT TILTT CYLINDER HYDRAULIC COMPONENTS

ID NO	PART NO	DESCRIPTION	QTY
1	9015733	3 SECTION VALVE	1
2	896700000	STINGER EXTENSION CYLINDER	1
3	9012565	CONNECTOR 9/16" JIC X 9/16" SAE	2
4	880010026	HYDRAULIC TUBE ASSEMBLY	1
5	880010025	HYDRAULIC TUBE ASSEMBLY	1
6	880010015	HYDRAULIC HOSE ASSEMBLY - 57"	1
7	880010016	HYDRAULIC HOSE ASSEMBLY - 57"	1
8	9011653	STRAIGHT MALE CONNECTOR.	2

Section VI - REPLACEMENT PARTS (cont'd)

WINCH PARTS



Section VI - REPLACEMENT PARTS (cont'd)

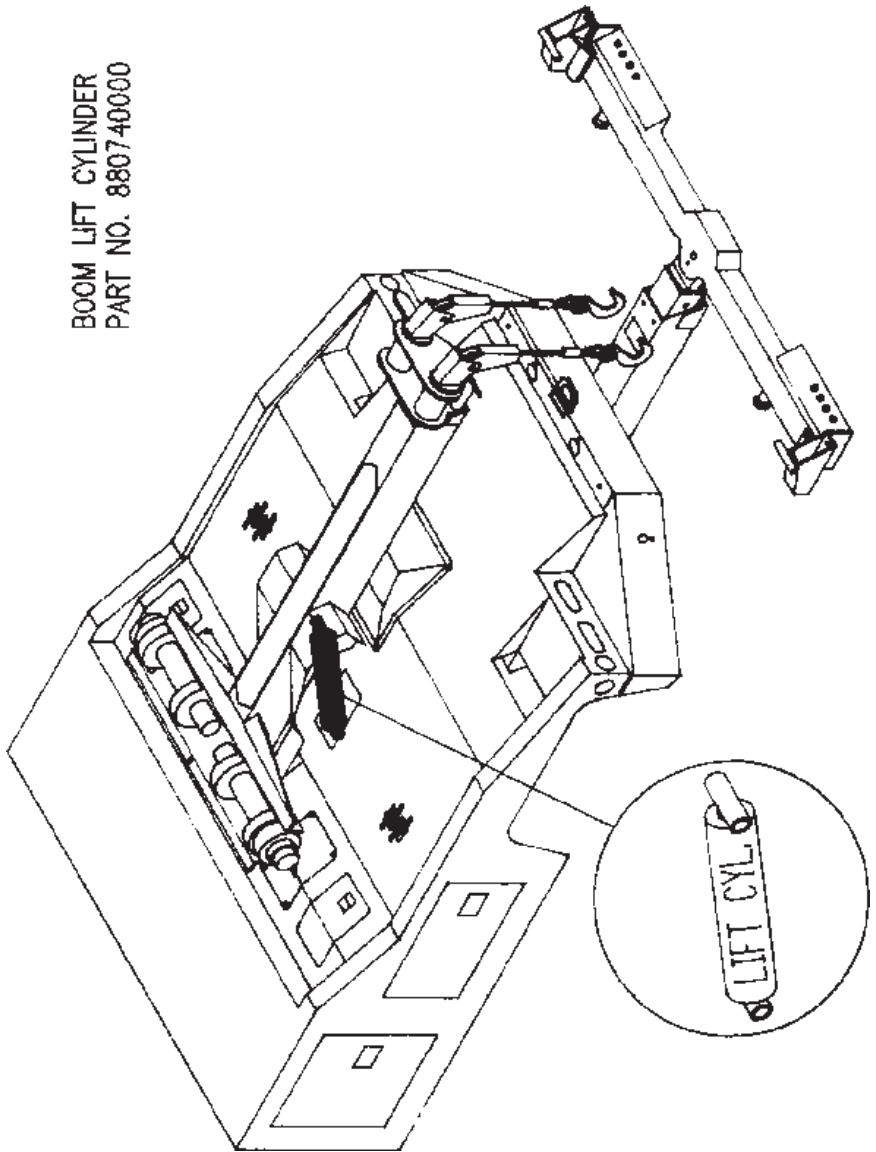
WINCH PARTS

ID NO	PART NO	DESCRIPTION	QTY
1	30305	HYDRAULIC MOTOR, 4.8 CU. IN.	1
	30345	HYDRAULIC MOTOR, 5.9 CU. IN.	1
2	30328	3/8"-16 X 3/4"LG. SOCKET HHC SCREW	4
7	30259	BRAKE, DRIVER, HYDRAULIC	1
9	30274	DRUM BUSHING, NYLON	2
10	30328	3/8"-16 X 3/4"LG. SOCKET HHC SCREW	6
11	31670	DRUM SUPPORT ASSEMBLY	1
12	30268	TIE ROD, LONG DRUM	3
13	30275	OIL SEAL, RADIAL	2
14	30277	THRUST WASHER, NYLON	2
16	31673	BRAKE ASSEMBLY, CCW HYDRAULIC	1
	31674	BRAKE ASSEMBLY, CW HYDRAULIC	1
17	31612	BALL BEARING	1
18	31671	LONG DRUM ASSEMBLY	1
19	31675	DRUM SUPPORT	1
20	14964	GASKET	2
21	30313	HEX SHAFT, LONG DRUM	1
22	30336	CARRIER ASSEMBLY	1
23	31679	RING GEAR ASSEMBLY	1
24	24563	CARRIER ASSEMBLY	1
25	30326	RETAINING RING	1
26	22350	3/16" DIA. STEEL BALL SET	1
27	14916	CLUTCH RING GEAR	1
28	30323	CLUTCH RETAINER	1
30	10322	CLUTCH KNOB	1
32	16149	SUN GEAR, INPUT	1
33	21009	THRUST PLATE	1
34	30327	SAFETY LATCH	1
35	30332	#10-24 X 3"LG. HEX HD CAP SCREW	2
36	32056	CLUTCH KNOB ASSEMBLY	1
37	15605	SEAL, O-RING	1
38	31684	GEAR HOUSING ASSEMBLY	1
39	15603	1/4"-20 X 3"LG. HEX HD CAP SCREW	10
40	27896	LABEL, NAMEPLATE	1
41	30343	LABEL, WARNING	1
42	30331	LABEL, DRUM ROTATION	1
43	30341	LABEL, CLUTCH LEVER	1
51	27424	M10 SET SCREW	1
52	30316	CLUTCH SHAFT	1
53	30342	5/32" X 1" ROLL PIN	1
54	28514	M12 X 1.75 BOLT	8
55	9213	1/2" FLAT WASHER	8

Section VI - REPLACEMENT PARTS (cont'd)

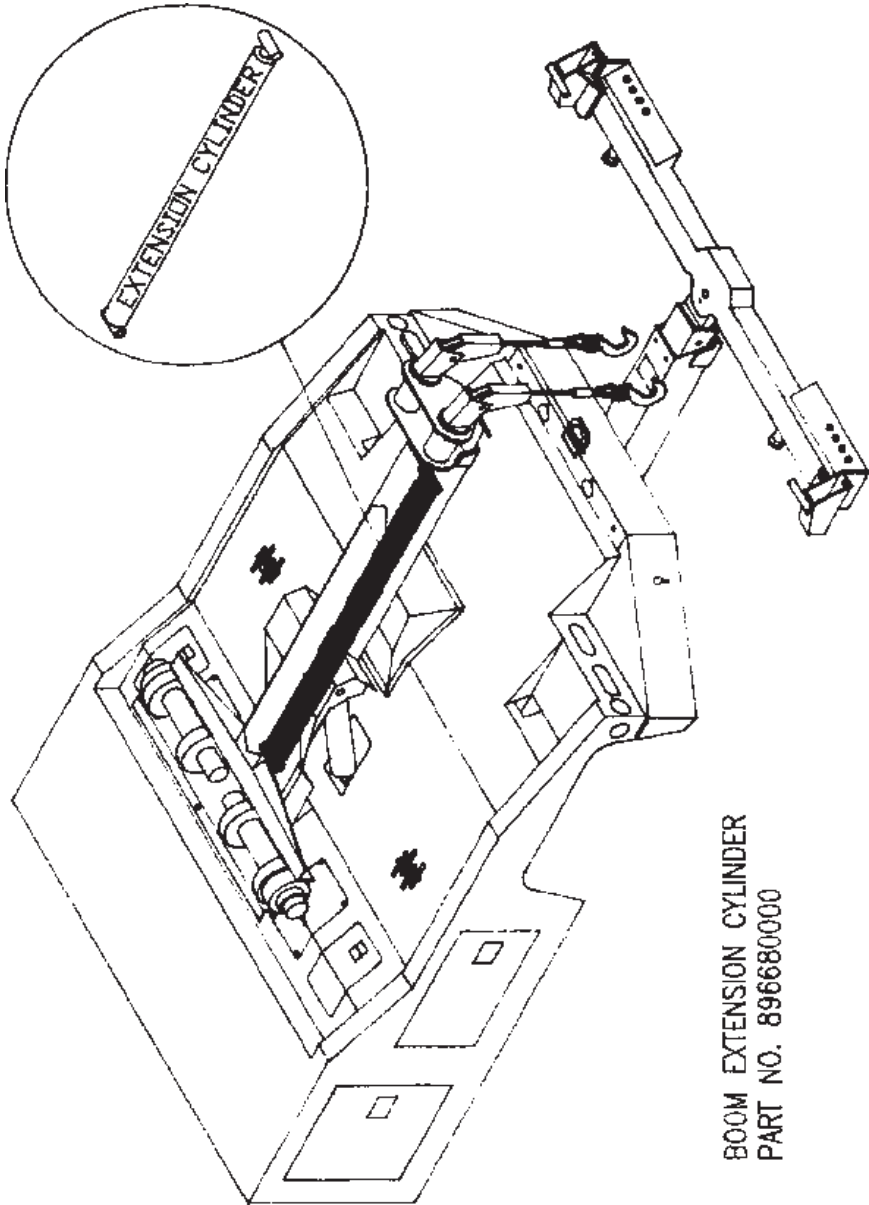
880740000 BOOM LIFT CYLINDER

BOOM LIFT CYLINDER
PART NO. 880740000



Section VI - REPLACEMENT PARTS (cont'd)

896680000 BOOM EXTENSION CYLINDER

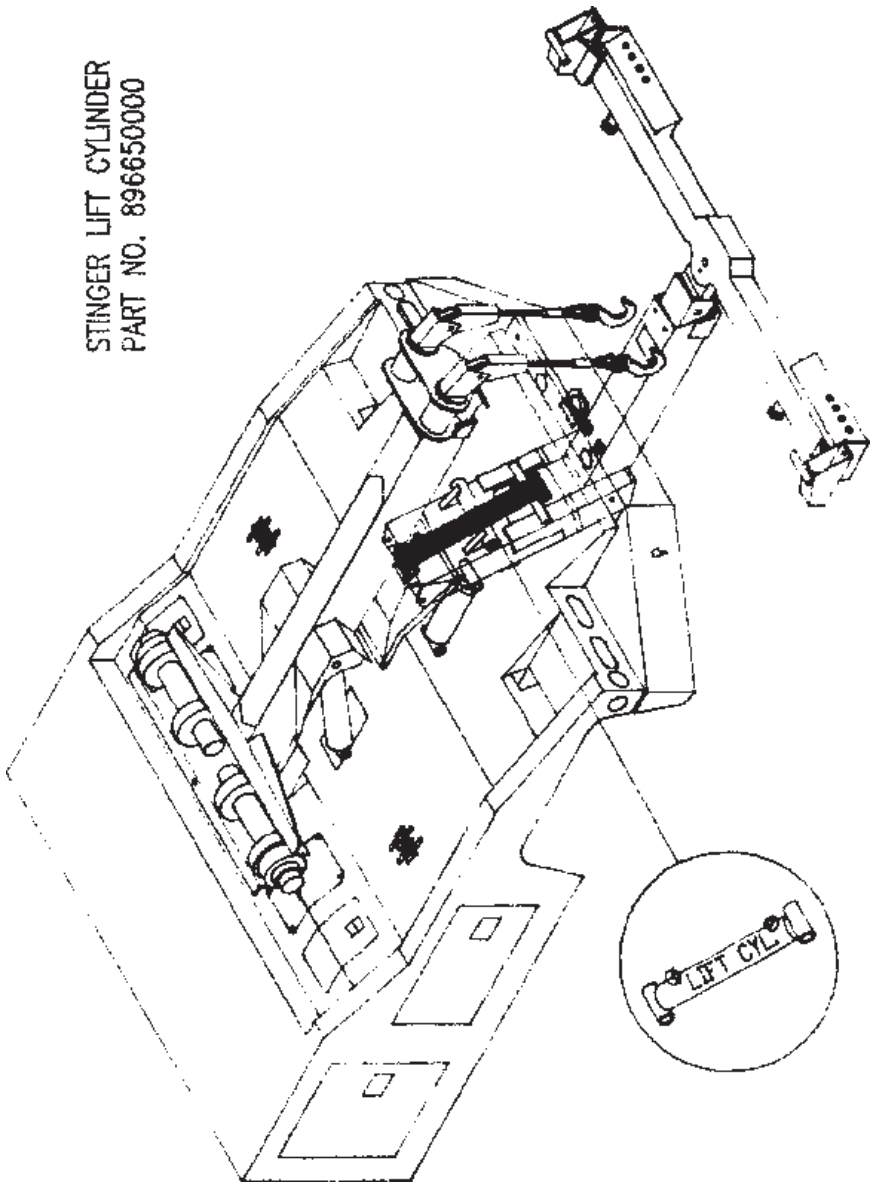


BOOM EXTENSION CYLINDER
PART NO. 896680000

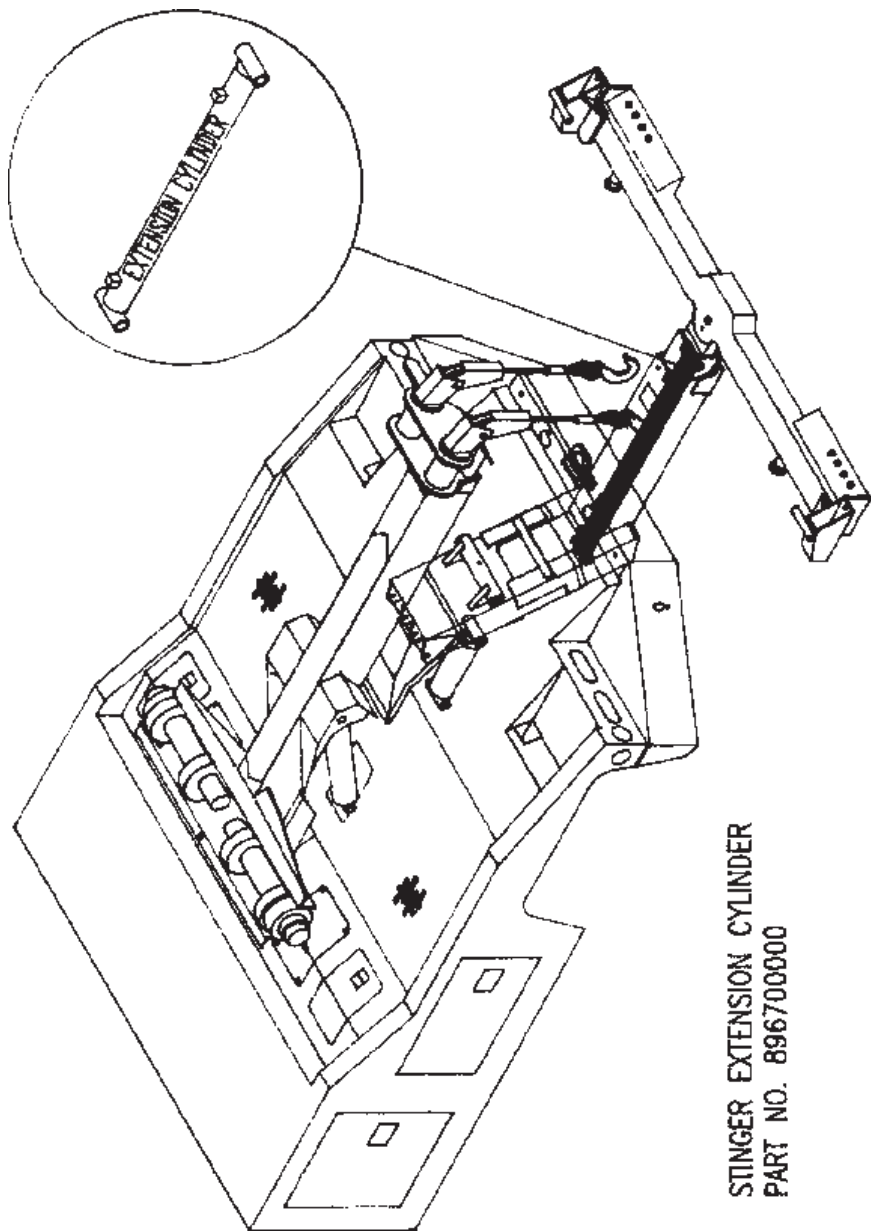
Section VI - REPLACEMENT PARTS (cont'd)

896650000 STINGER LIFT CYLINDER

STINGER LIFT CYLINDER
PART NO. 896650000



Section VI - REPLACEMENT PARTS (cont'd)
89670000 STINGER EXTENSION CYLINDER

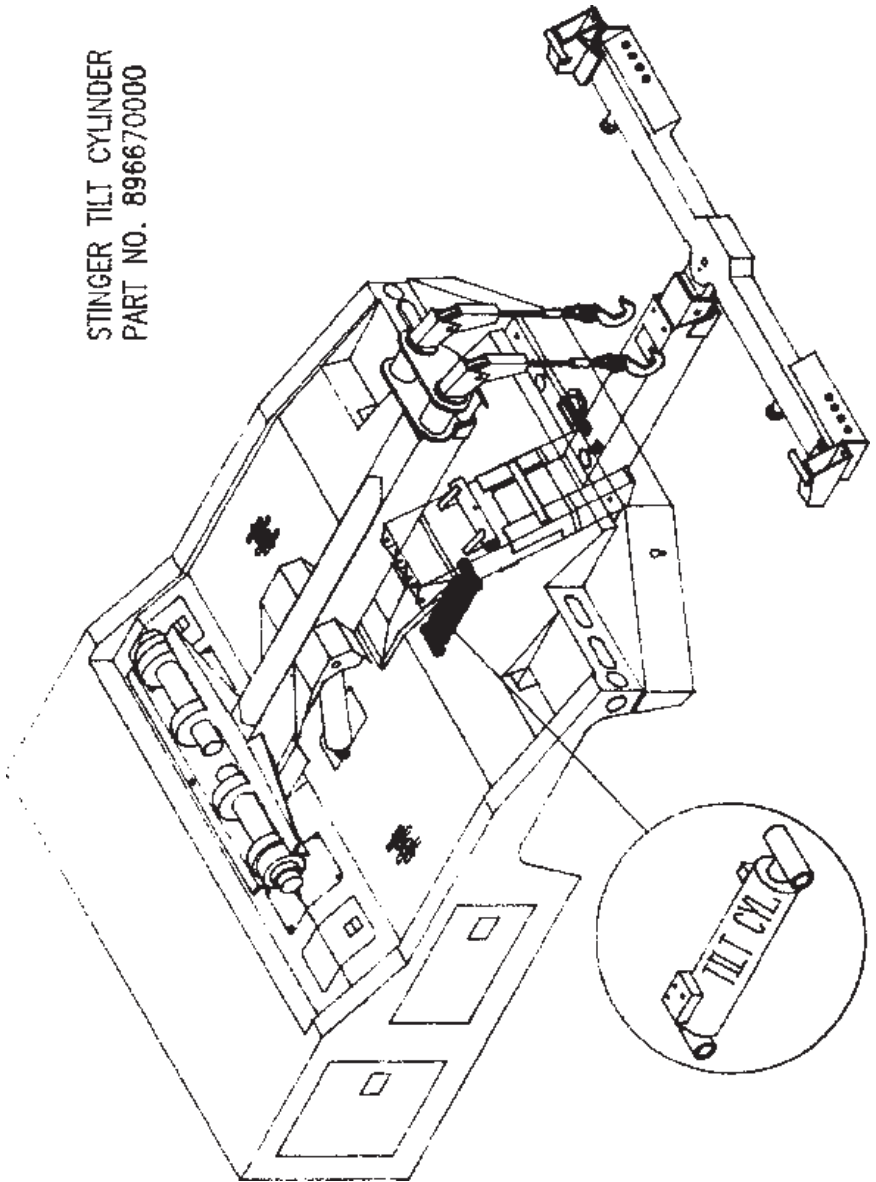


STINGER EXTENSION CYLINDER
PART NO. 896700000

Section VI - REPLACEMENT PARTS (cont'd)

896670000 STINGER TILT CYLINDER

STINGER TILT CYLINDER
PART NO. 896670000





Miller Industries Towing Equipment Inc.
8503 Hilltop Drive • Ooltewah, Tennessee 37363 • (423) 238-7227
www.millerind.com