



## OWNER'S MANUAL

# MODULAR 880 / 890

## MAINTENANCE & PARTS

**NOTE: MANUAL including SPECIFICATIONS, subject to change without notice**  
All ratings specified are based on structural factors only,  
not vehicle capacities or capabilities.



Miller Industries Towing Equipment Inc.  
8503 Hilltop Drive  
Ooltewah, Tennessee 37363  
Phone (423) 238-7227 • FAX (423) 238-7237

FORM NO. 0501640  
03 / 2008  
PRICE \$25.00

## LIMITED WARRANTY

MILLER INDUSTRIES TOWING EQUIPMENT INC., hereinafter referred to as MILLER, warrants to the original purchaser that each new MILLER wrecker or other MILLER products will be free from defects in material and workmanship for a period of twelve (12) months from date placed in service, but in no event shall such warranty period exceed twenty-four (24) months from date of manufacture by MILLER. The purchaser must promptly notify MILLER in writing of any failure in material or workmanship. In no event shall MILLER accept such notification later than twenty-four (24) months from date of delivery or twelve (12) months from date placed in service, whichever is earlier.

MILLER's obligation under this warranty, statutory or otherwise, is limited to the repair or replacement at the MILLER factory, or at a point designated by MILLER, of such part or parts as shall appear upon inspection by MILLER to be defective in material or workmanship. New or remanufactured parts will be used for any replacement at MILLER's option. This warranty is not transferable. This warranty does not obligate MILLER to bear the cost of labor or transportation charges in connection with the repair or replacement of any parts found to be defective, nor shall it apply to a product upon which repairs or alterations have been made unless authorized by MILLER.

EXCEPT AS EXPRESSLY SET FORTH IN THIS WARRANTY, MILLER MAKES NO OTHER WARRANTY, EXPRESS OR IMPLIED, AND HEREBY DISCLAIMS ALL OTHER WARRANTIES INCLUDING, BUT NOT LIMITED TO, THE IMPLIED WARRANTIES OF MERCHANTABILITY AND FITNESS FOR A PARTICULAR PURPOSE. MILLER shall in no event be liable for claimed downtime, claimed loss of profits or goodwill, or any other special, incidental, indirect, or consequential damages concerning or relating to any product or parts, whether based on negligence, strict liability, breach of contract, breach of warranty, misrepresentation or any other legal theory, regardless of whether the loss resulted from any general or particular requirement which MILLER knew or had reason to know about at the time of sale.

MILLER MAKES NO WARRANTY, EXPRESS OR IMPLIED, AS TO THE FINISHED PRODUCTS MANUFACTURED OR SUPPLIED BY ANOTHER MANUFACTURER AND SUPPLIED BY MILLER TO PURCHASER, including, but not limited to, any vehicle to which a MILLER product may be affixed or any accessories or wire rope, and MILLER EXPRESSLY DISCLAIMS ANY IMPLIED WARRANTIES OF MERCHANTABILITY OR FITNESS FOR A PARTICULAR PURPOSE AS TO SUCH EQUIPMENT OR PRODUCTS. This language shall in no way affect or diminish the rights of the purchaser to rely on such warranties as are extended by such manufacturers or suppliers. MILLER shall, to the extent permitted under applicable law, pass on to the purchaser such manufacturer's or seller's warranty.

MILLER, whose policy is one of continuous improvement, reserves the right to improve its products through changes in design or materials as it may deem desirable without being obligated to incorporate such changes in products previously sold. This warranty is not intended to cover or include the following items, which are set forth by way of example and not limitation:

- A. Normal deterioration of trim, paint, lettering, and appearance items due to wear or exposure to weather, road conditions, road treatments, etc.
- B. Any damage or defect due to accident, misuse, abuse, improper or unauthorized repairs, failure to provide reasonable and necessary maintenance, or uses for which the equipment was not designed or intended.
- C. Alterations or modifications that affect performance, operation or reliability.
- D. Normal maintenance parts including, but not limited to, wear pads, bushings, wire rope, mud flaps, fenderettes, light bulbs, hydraulic oil, filters, and tow sling belts.

**IT IS EXPRESSLY UNDERSTOOD THAT MILLER MAKES NO IMPLIED WARRANTY THAT MILLER PRODUCTS SHALL BE FIT FOR THE PURPOSE OF LIFTING OR MOVING PEOPLE OR FOR ANY OTHER IMPROPER USE.**



Miller Industries Towing Equipment Inc.  
8503 Hilltop Drive  
Ooltewah, Tennessee 37363

**SERIAL NUMBER**

Telephone (423) 238-4171

## **OWNER, USER AND OPERATOR:**

**We appreciate your choice of our wrecker for your application. Our number one priority is user safety which is best achieved by our joint efforts. We feel that you can make a major contribution to safety if you, as the equipment owner and operator:**

- 1. Comply with Federal, State, and Local Regulations.**
- 2. Read, Understand, and Follow the Instructions in this Manual.**
- 3. Use Good, Safe Work Practices in a Common Sense Way.**
- 4. Only have Authorized and Trained Operators running the Wrecker.**

**Also contained in this manual is a Parts Section for your Wrecker. Use of other than Factory or Factory Authorized Parts will render the Warranty void.**

# TABLE OF CONTENTS

**Section I - MAINTENANCE** ..... I-1 thru I-9

## **Section II - PARTS**

### SUBFRAME ASSEMBLY

880 .....II-2 thru II-5

890 .....II-6 thru II-9

### BODY ASSEMBLY

CARBON STEEL .....II-10 & II-11

STAINLESS STEEL ..... II-12 & II-13

ALUMINUM ..... II-14 & II-15

COMPOSITE .....II-16 thru II-19

### BOOM ASSEMBLY

881 .....II-20 thru II-23

882 .....II-24 thru II-27

892 .....II-28 thru II-31

894 .....II-32 thru II-35

880 WHEEL LIFT ASSEMBLY ..... II-36 & II-37

880 CROSSBAR ASSEMBLY ..... II-38 & II-39

890 WHEEL LIFT ASSEMBLY ..... II-40 & II-41

890 CROSSBAR ASSEMBLY ..... II-42 & II-43

### BOOM & WINCH HYDRAULICS

881 ..... II-44 & II-45

882 ..... II-46 & II-47

892 ..... II-48 & II-49

# TABLE OF CONTENTS (cont'd)

## Section II - PARTS (cont'd)

BOOM & WINCH HYDRAULICS (cont'd)	
894 .....	II-50 & II-51
880/890 WHEEL LIFT HYDRAULICS .....	II-52 & II-53
PUMP, VALVE & FILTER HYDRAULICS	
881 .....	II-54 & II-55
882, 892 & 894 .....	II-56 & II-57
CONTROL ASSEMBLY	
881 WRECKER .....	II-58 & II-59
882, 892 & 894 WRECKER.....	II-60 & II-61
880 & 890 WHEEL LIFT .....	II-62 & II-63
WINCH FREESPOOL ASSEMBLY	
881, 882 & 892 .....	II-64
894 .....	II-65
BOOM SWIVEL ASSEMBLY.....	II-66
880/890 SHIP KITS .....	II-67 & II-68

## Section III - SCHEMATICS

ELECTRICAL (ALL MODELS) .....	III-1
HYDRAULICS	
881 .....	III-2
882 .....	III-3
892 & 894 .....	III-4



# Section I - MAINTENANCE

**1.1** The continued operation of your wrecker is largely dependent upon strict adherence to a properly scheduled preventive maintenance program. To help you in this program, We have provided the following information regarding lubrication, preventive maintenance, hydraulic system and safety devices care.

## **1.2 HYDRAULIC SYSTEM**

The importance of absolute cleanliness of the hydraulic system cannot be over stressed. The smallest amount of grit, metal flake or other foreign material in the system can cause extensive damage to pumps, motors and valves. We have taken every measure to assure that each component and fitting was thoroughly cleaned before your unit was shipped to you. Therefore, servicing of the system should be done with extreme care.

- (a) Before checking oil level in reservoir, wipe away all dirt, grease and grime around filter cap before removing it. Make certain that all containers, funnels and pouring spouts are absolutely clean before filling reservoir.
- (b) When replacing hoses, fittings or other components, clean thoroughly, dismantle and reassemble carefully.
- (c) Failure to observe these precautions, and failure to change the filter element at regular intervals could result in loss of your warranty in the event of failure to certain components.

## **1.3 LUBRICATION & PREVENTIVE MAINTENANCE**

The following general lubrication and preventive maintenance should be performed at least once per month for moderate usage, or more often as required, for heavy usage.

- (a) Inspect, repair or replace any worn, cracked, leaking, otherwise damaged components including, but not limited to, the following:
  - 1. **Hydraulic hoses and fittings.**
  - 2. **Cable and fittings.**
  - 3. **Cylinders.**
  - 4. **Boom-end fitting.**
  - 5. **Controls.**

# Section I - MAINTENANCE (cont'd)

## 1.3 LUBRICATION & PREVENTIVE MAINTENANCE (cont'd)

6. **Hydraulic oil filter.**
7. **Oil reservoir.**
8. **Lights and wiring.**
9. **Winch.**
10. **Pivot bearing surfaces and pins.**

(See Lubrication Charts, page I-4 & I-5.)

- (b) Check hydraulic oil level in reservoir and fill to 2" (inches) below bottom of filler neck with Multi-Purpose Automatic Transmission Fluid, formally known as MERCON / DEXRON III. Hydraulic oil should be replaced annually.
- (c) Replace hydraulic oil filters after first week of operation, then every three (3) months thereafter.
- (d) Inspect all bolts for tightness and re-tighten as necessary. Vibration and stress may loosen even properly torqued bolts.
- (e) Lubricate all grease fittings on the Wrecker and Wheel Lift including:
  1. **Winch**
  2. **Cylinder Pivot Bearings**
  3. **Cross Bar Pivot**
  4. **Boom Slide Pads**
  5. **Boom End Swivel**
- (f) All bearing surfaces not equipped with grease fittings should be oiled using SAE 30 oil in a pump can.
- (g) Check oil level of winches and fill to proper level, level plug on end plates, with SAE 140 general purpose gear oil.
- (h) Lubricate grease fitting on winch freespool clutch control.
- (i) Lubricate winch cables using an oily rag while respooling onto drum. Other special cable lubricants are available which have better penetrating qualities. Consult your local oil company for a list of these.



# Section I - MAINTENANCE (cont'd)

## 1.4 SUMMARY OF REQUIRED LUBRICANTS

- (a) **Hydraulic Oil** - Multi-Purpose Automatic Transmission Fluid, formally known as MERCON / DEXRON III.
- (b) **Winch Worm Gear Oil** - SAE 140 general purpose gear oil.
- (c) **Grease** - MP Lithium Grease.
- (d) **Oil for miscellaneous bearing surfaces** - SAE 30.
- (e) **Cable Oil** - SAE 30 or special cable lubricant.

### NOTE

**THERE IS NO PRACTICAL WAY TO DETERMINE THE LIFE EXPECTANCY OF HYDRAULIC HOSES AND OTHER RUBBER COMPONENTS.**

**WHILE APPEARING TO BE IN EXCELLENT CONDITION, THESE COMPONENTS MAY BE ADVERSELY AFFECTED BY USAGE, WEATHER OR THE PASSING OF TIME.**

**THEREFORE, IT IS RECOMMENDED THAT ALL RUBBER COMPONENTS, ESPECIALLY HOSES, BE REPLACED EVERY FIVE (5) YEARS REGARDLESS OF APPEARANCE.**

# Section I - MAINTENANCE (cont'd)

## 1.5 LUBRICATION

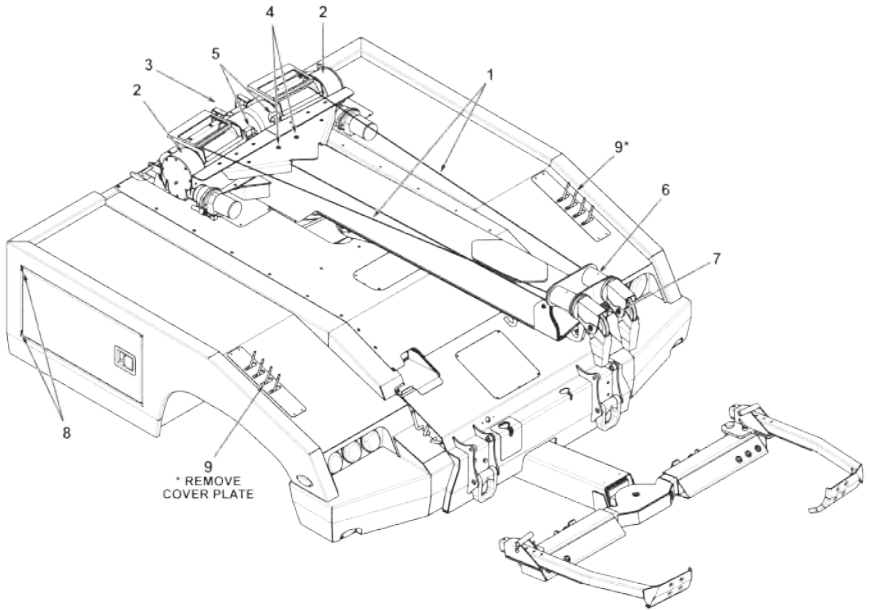
1. Cable - Use oil or approved cable lubricant.
2. Winch Oil Level - Fill to oil plug level inside of housing with SAE 140 general purpose gear oil.
3. Boom Cylinder Pivot Bearings - MP Lithium Grease.
4. Boom Slide Pads - MP Lithium Grease.
5. Winch Clutch Control - MP Lithium Grease.
6. Boom End Swivel - MP Lithium Grease.
7. Sheave - MP Lithium Grease.
8. Compartment Door Pivots - Use SAE 30 Oil.
9. Control Handle Shafts - MP Lithium Grease.
10. Hydraulic Reservoir - Fill to 2" (inches) below bottom of filler neck.
11. Hydraulic Filter - Replace after first week of operation then every three (3) months.
12. Boom Shaft Pivot - MP Lithium Grease.
13. Wheel Lift Pivots - MP Lithium Grease.
14. Wheel Lift Cylinder Pivot Bearings - MP Lithium Grease.
15. Wheel Lift Slide Pads - MP Lithium Grease.

### **NOTE**

**THE ABOVE SERVICE REQUIREMENTS SHOULD BE SERVICED MONTHLY. SERVICE MORE OFTEN IF THE EQUIPMENT IS USED FREQUENTLY.**

# Section I - MAINTENANCE (cont'd)

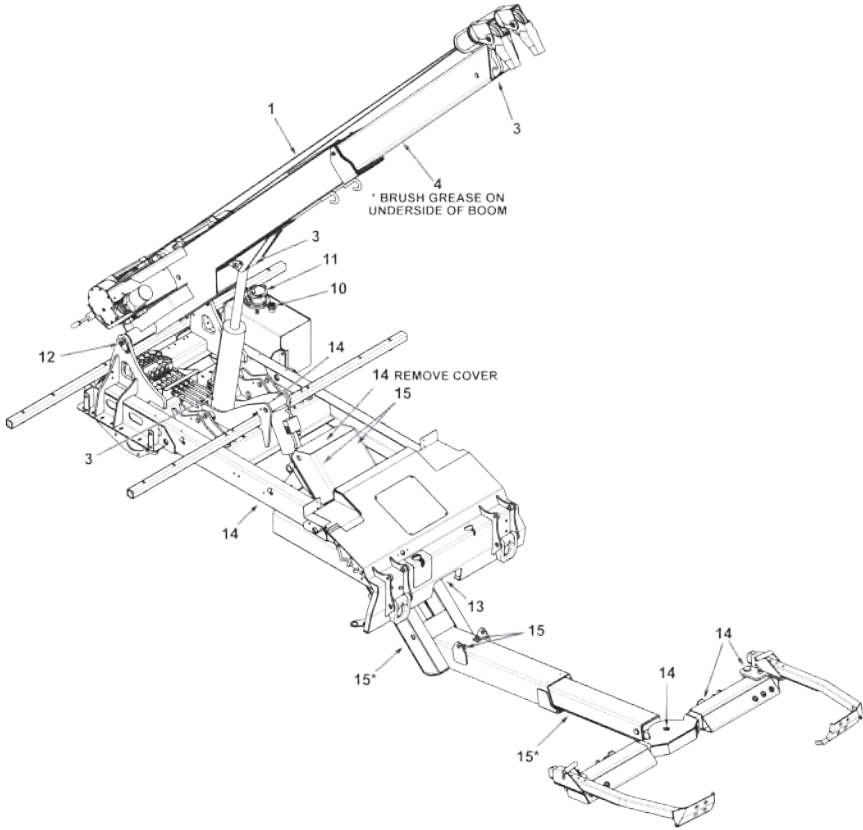
## 1.6 LUBRICATION (cont'd)



**FIGURE 1.1**  
**SEE PAGE I-4 FOR LUBRICATION INFORMATION.**

# Section I - MAINTENANCE (cont'd)

## 1.6 LUBRICATION (cont'd)



**FIGURE 1.2**  
**SEE PAGE I-4 FOR LUBRICATION INFORMATION.**











## Section II - PARTS

This Section is provided by the manufacturer for the purpose of ordering any component part of the **880/890 Modular** that may be required when part replacement is necessary. Be certain to use only original equipment replacement parts for warranty purposes as well as for keeping your **880/890 Modular** in its original state and optimum operating capacities.

When ordering replacement or spare parts be sure to provide the following information to the manufacturer's **Parts Department**.

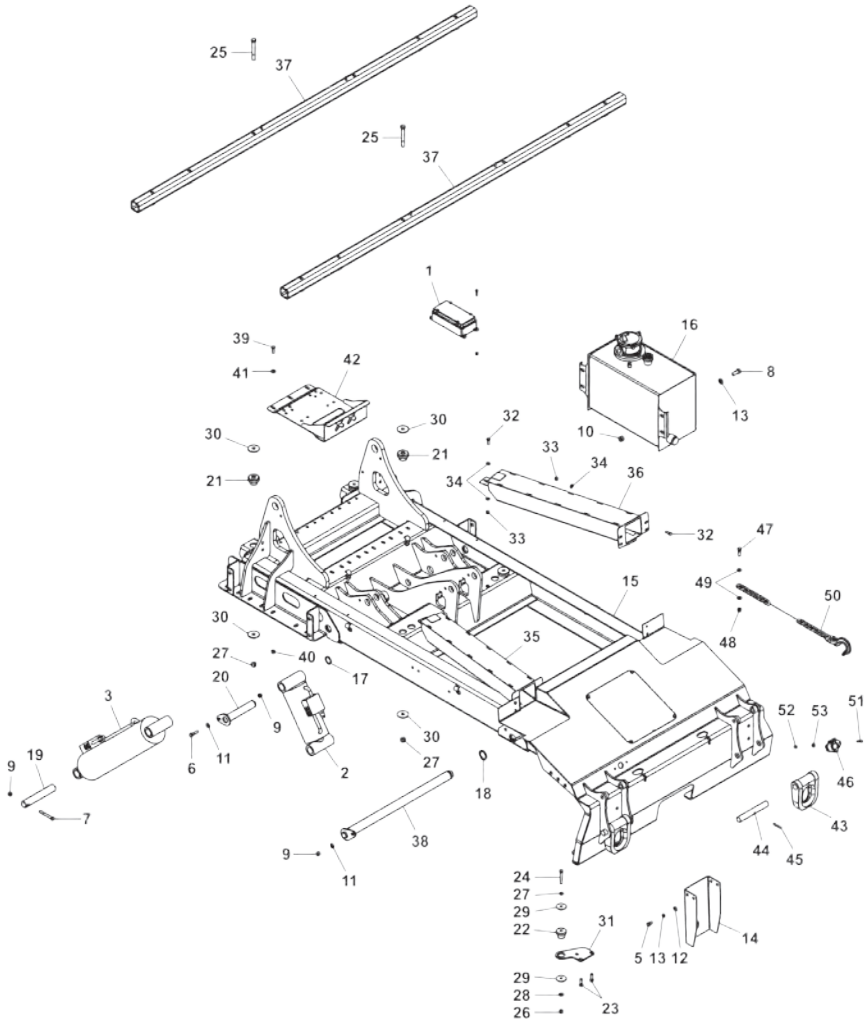
1. **Manual Number & Date of Publication**
2. **Manual Page Number**
3. **Page Title**
4. **Reference Number of Part Desired**
5. **Part Number**
6. **Part Description**
7. **Quantity of Part Desired**

Providing this information will help ensure that the correct parts will be delivered to you in an expedient manner without delay. Should additional information be required for repair or replacement of certain components, contact your Wrecker Manufacturer Authorized Representative.

The Manufacturer reserves the right, without notice or obligation, to improve or modify their products, which may change the specifications, models and feature availability.

# Section II - PARTS (cont'd)

## 880 SUBFRAME ASSEMBLY



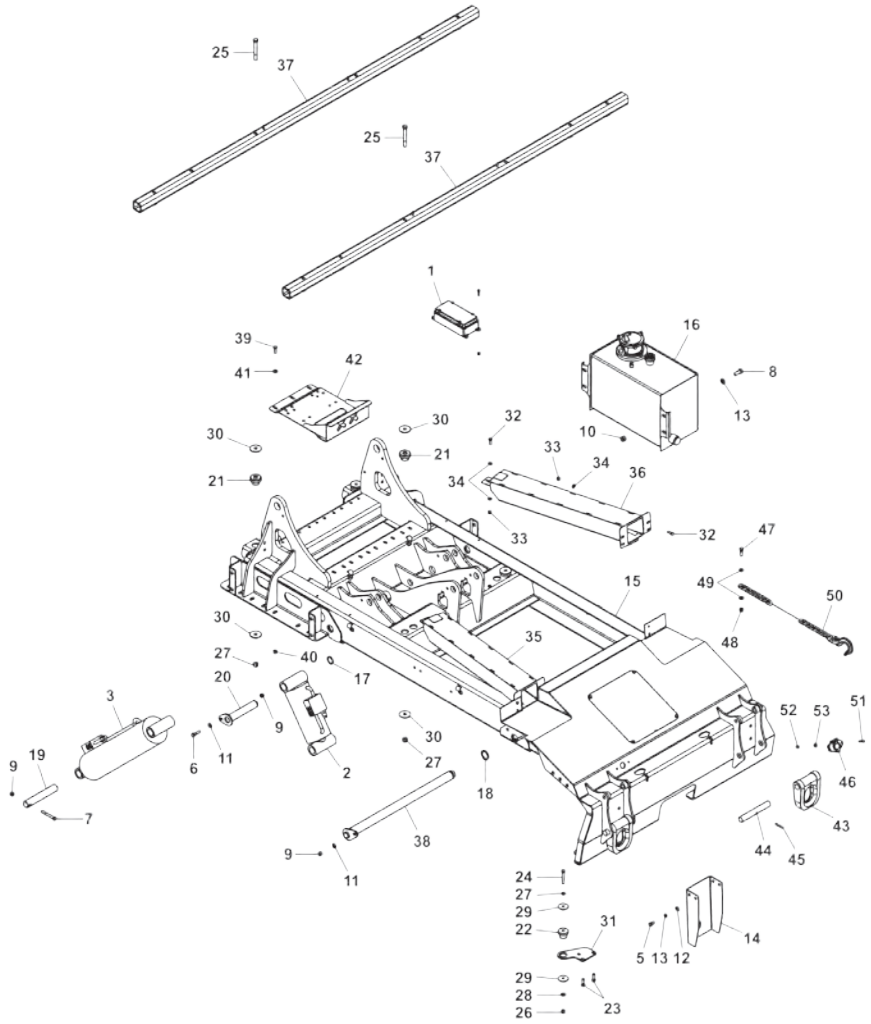
## Section II - PARTS (cont'd)

### 880 SUBFRAME ASSEMBLY

REF. NO.	NO. REQ'D	PART NUMBER	DESCRIPTION
1	1	0303385	JUNCTION BOX 10 POLE
--	--	0909102	SUBFRAME ASSEMBLY - 880
2	1	0307638	CYLINDER, TILT (4.00 X 12.31)
3	1	0310137	CYLINDER, BOOM LIFT
4	1	0310319	HARNES, WIRING CONV. (NOT SHOWN)
5	8	0400121	3/8"-16 X 3/4" HHCS GR5 ZP
6	2	0400132	3/8"-16 X 1 1/2" HHCS GR5 ZP
7	1	0400133	3/8"-16 X 3" HHCS GR5 ZP
8	4	0400177	1/2"-13 X 1 1/4" HHCS GR5 ZP
9	7	0400392	3/8"-16 NYLOK HEX NUT ZINC
10	4	0400408	1/2"-13 NYLOK HEX NUT ZP
11	4	0400480	3/8" FLAT WASHER ZP
12	8	0400482	3/8" HELICAL LOCKWASHER ZP
13	4	0400492	1/2" FLAT WASHER ZP
14	2	0719451	CHAIN POCKET VULCAN SUBFRAME
15	1	0807174	880 SUBFRAME NEW CONVENTIONAL
16	1	0910008	HYDRAULIC TANK ASSEMBLY, CONVENTION
17	1	9056125	1 1/4" NOM HVY DUTY RET RING EXT
18	1	9056150	1 1/2" RETAINING RING
19	1	880400005	PIN BOOM LOWER LIFT CYL
20	1	880401000	PIN STINGER UPPER TILT CYL
--	--	--	BODY INSTALL
21	4	0306680	RUBBER "T" MOUNTS LTI 20203
22	2	0307114	RUBBER MOUNT, TBA 20103
23	4	0400122	3/8"-16 X 1 1/4" HHCS GR5 ZP
24	2	0400150	3/8"-16 X 2 1/2" HHCS GR5 ZP
25	4	0400237	1/2"-13 X 4" HHCS GR5 ZP
26	10	0400392	3/8"-16 NYLOK HEX NUT ZINC
27	4	0400408	1/2"-13 NYLOK HEX NUT ZP
28	20	0400480	3/8" FLAT WASHER ZP
29	2	0400484	WASHER, SPECIAL 13/32" ID X 1 3/4" OD
30	8	0400498	FLAT WASHER 1/2" ID X 2" OD X 1/4"
31	2	0719921	PLATE, BODY/SUBFRAME MOUNTING VULCAN

# Section II - PARTS (cont'd)

## 880 SUBFRAME ASSEMBLY (cont'd)



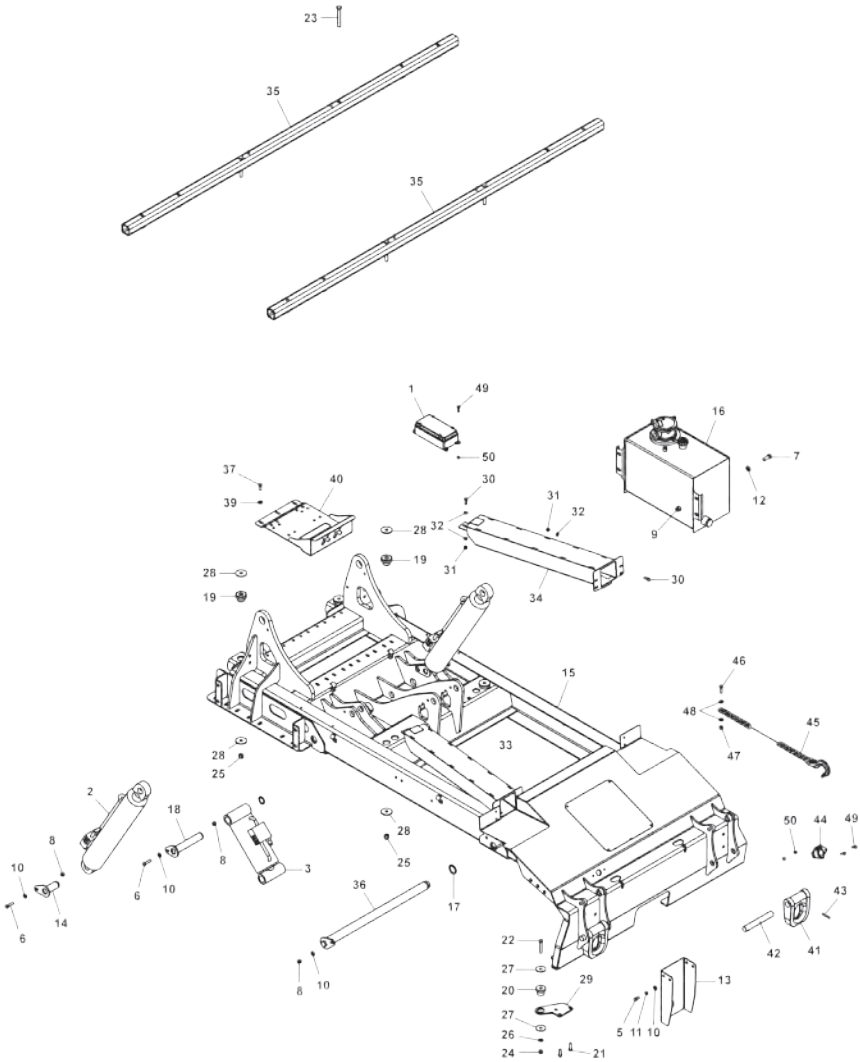
## Section II - PARTS (cont'd)

### 880 SUBFRAME ASSEMBLY (cont'd)

REF. NO.	NO. REQ'D	PART NUMBER	DESCRIPTION
--	--	0909101	GENERIC ASSEMBLY - 880
32	10	0400109	5/16"-18 X 1" HHCS GR5
33	6	0400382	5/16"-18 NYLOK HEX NUT ZP
34	12	0400463	5/16" FLAT WASHER
35	1	0807214	SCOOP STORAGE LH WELDMENT
36	1	0807215	SCOOP STORAGE RH WELDMENT
37	2	0807232	TUBE MOUNTING WELDMENT
38	1	0807268	BOOM PIVOT PIN WELDMENT
--	--	0909113	4-SPOOL VALVE PLATE ASSEMBLY – 880
39	5	0400126	3/8"-16 X 1" HHCS GR5 ZP
40	8	0400392	3/8"-16 NYLOK HEX NUT ZINC
41	7	0400480	3/8" FLAT WASHER ZP
42	1	0807172	VALVE PAN WELDMENT CONVENTIONAL
--	--	0902842	KIT - "D" RING
43	2	0712380	"D" RING
44	2	BA0259	PIN - "D" RING
45	2	HD0106	1/4" X 1 3/4" SPRING PIN ZP
--	--	124001934	4 WAY SOCKET
46	1	0303113	HARNESS, 4-POLE SOCKET
--	--	0901420	KIT - SAFETY CHAIN
47	2	0400122	3/8"-16 X 1 1/4" HHCS GR5 ZP
48	2	0400392	3/8"-16 NYLOK HEX NUT ZINC
49	4	0400480	3/8" FLAT WASHER ZP
50	2	0307383	CHAIN ASSEMBLY 5/16" G7 X 12'
--	--	0907280	806,807,810 SS BOLT BAG
51	6	0400070	1/4"-20 X 1" HHCS GR5 ZP
52	8	0400367	1/4"-20 NYLOK HEX NUT ZP
53	6	0400451	1/4" FLAT WASHER ZP

# Section II - PARTS (cont'd)

## 890 SUBFRAME ASSEMBLY



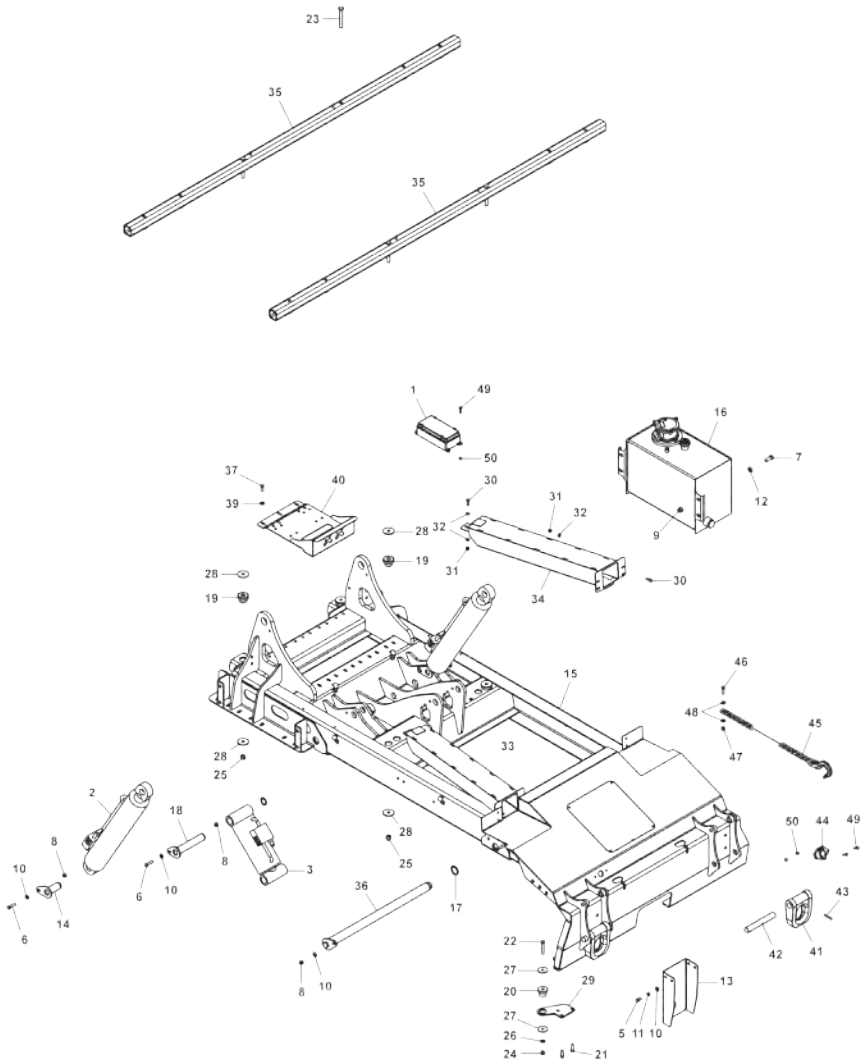
## Section II - PARTS (cont'd)

### 890 SUBFRAME ASSEMBLY

REF. NO.	NO. REQ'D	PART NUMBER	DESCRIPTION
1	1	0303385	JUNCTION BOX 10 POLE
--	--	0909116	SUBFRAME ASSEMBLY - 890
2	2	0307576	CYLINDER LIFT 3.50 X 17.75
3	1	0307638	CYLINDER TILT (4.00 X 12.31)
4	1	0310319	HARNES, WIRING CONV. (NOT SHOWN)
5	8	0400121	3/8"-16 X 3/4" HHCS GR5 ZP
6	3	0400132	3/8"-16 X 1 1/2" HHCS GR5 ZP
7	4	0400177	1/2"-13 X 1 1/4" HHCS GR5 ZP
8	7	0400392	3/8"-16 NYLOK HEX NUT ZINC
9	4	0400408	1/2"-13 NYLOK HEX NUT ZP
10	4	0400480	3/8" FLAT WASHER ZP
11	8	0400482	3/8" HELICAL LOCKWASHER ZP
12	4	0400492	1/2" FLAT WASHER ZP
13	2	0719451	CHAIN POCKET VULCAN SUBFRAME
14	2	0806854	PIN WELDMENT
15	1	0807174	880 SUBFRAME NEW CONVENTIONAL
16	1	0910008	HYDRAULIC TANK ASSEMBLY CONVENTIONAL
17	1	9056125	1 1/4" NOM HVY DUTY RET RING EXT
18	1	880401000	PIN STINGER UPPER TILT CYL
--	--	--	BODY INSTALL
19	4	0306680	RUBBER "T" MOUNTS LTI 20203
20	2	0307114	RUBBER MOUNT, TBA 20103
21	4	0400122	3/8"-16 X 1 1/4" HHCS GR5 ZP
22	2	0400150	3/8"-16 X 2 1/2" HHCS GR5 ZP
23	4	0400237	1/2"-13 X 4" HHCS GR5 ZP
24	10	0400392	3/8"-16 NYLOK HEX NUT ZINC
25	4	0400408	1/2"-13 NYLOK HEX NUT ZP
26	20	0400480	3/8" FLAT WASHER ZP
27	2	0400484	WASHER, SPECIAL 13/32" ID X 1 3/4" OD
28	8	0400498	FLAT WASHER 1/2" ID X 2" OD X 1/4"
29	2	0719921	PLATE, BODY/SUBFRAME MOUNTING VULCAN

# Section II - PARTS (cont'd)

## 890 SUBFRAME ASSEMBLY (cont'd)





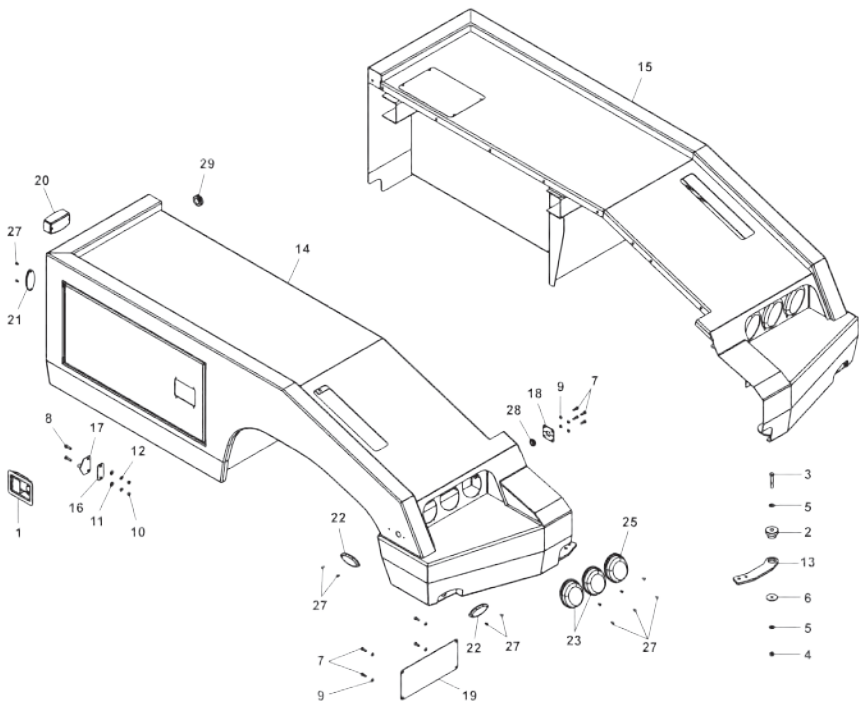
## Section II - PARTS (cont'd)

### 890 SUBFRAME ASSEMBLY (cont'd)

REF. NO.	NO. REQ'D	PART NUMBER	DESCRIPTION
--	--	0909117	GENERIC ASSEMBLY
30	10	0400109	5/16"-18 X 1" HHCS GR5
31	6	0400382	5/16"-18 NYLOK HEX NUT ZP
32	12	0400463	5/16" FLAT WASHER
33	1	0807214	SCOOP STORAGE LH WELDMENT
34	1	0807215	SCOOP STORAGE RH WELDMENT
35	2	0807232	TUBE MOUNTING WELDMENT
36	1	0807268	BOOM PIVOT PIN WELDMENT
--	--	0909112	4-SPOOL VALVE PLATE ASSEMBLY
37	5	0400126	3/8"-16 X 1" HHCS GR5 ZP
38	8	0400392	3/8"-16 NYLOK HEX NUT ZINC
39	7	0400480	3/8" FLAT WASHER ZP
40	1	0807172	VALVE PAN WELDMENT CONVENTIONAL
--	--	0902842	KIT - "D" RING
41	2	0712380	RING - D
42	2	BA0259	PIN - "D" RING
43	2	HD0106	1/4" X 1 3/4" SPRING PIN ZP
--	--	124001934	4 WAY SOCKET
44	1	0303113	HARNESS, 4-POLE SOCKET
--	--	0901420	KIT - SAFETY CHAIN
45	2	0307383	CHAIN ASSEMBLY 5/16" G7 X 12'
46	2	0400122	3/8"-16 X 1 1/4" HHCS GR5 ZP
47	4	0400392	3/8"-16 NYLOK HEX NUT ZINC
48	2	0400480	3/8" FLAT WASHER ZP
--	--	0907280	806,807,810 SS BOLT BAG
49	6	0400070	1/4"-20 X 1" HHCS GR5 ZP
50	8	0400367	1/4"-20 NYLOK HEX NUT ZP
51	6	0400451	1/4" FLAT WASHER ZP

# Section II - PARTS (cont'd)

## CARBON STEEL BODY ASSEMBLY



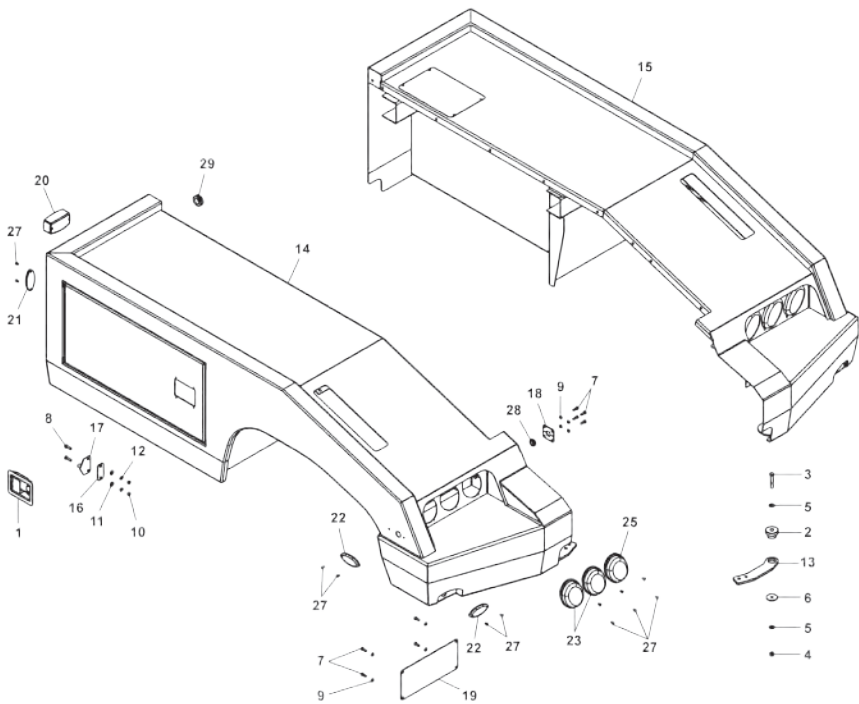
## Section II - PARTS (cont'd)

### CARBON STEEL BODY ASSEMBLY

REF. NO.	NO. REQ'D	PART NUMBER	DESCRIPTION
--	--	0909123	BODY INSTALL CARBON STEEL MODULAR
1	2	0303120	LATCH PADDLE W/GASKET
2	2	0307114	RUBBER MOUNT, TBA 20103
3	6	0400132	3/8"-16 X 1 1/2" HHCS GR5 ZP
4	2	0400392	3/8"-16 NYLOK HEX NUT ZINC
5	2	0400480	3/8" FLAT WASHER ZP
6	2	0400484	WASHER, SPECIAL 13/32" ID X 1 3/4" OD
7	10	0402020	1/4"-20NC X 3/4" HEX HD SS
8	18	0402032	5/16"-18NC X 1" HHCS 8-18 SS
9	10	0402111	1/4" SS LOCKWASHER 316
10	18	0402116	5/16"-18NC X 1" HEX NYLOK SS
11	41	0402117	5/16" FLAT WASHER 316SS
12	30	0402118	5/16" HELICAL LOCKWASHER SS
13	2	0719921	PLATE, BODY/SUBFRAME MOUNTING
14	1	0807274	BODY, LH SS W/ HELLA LIGHTS
15	1	0807275	BODY, RH SS W/ HELLA LIGHTS
16	2	945400518	WASHER PLATE PL - STRIKE
17	2	945400800	STRIKER PIN WELDMENT PLATE
--	--	0909124	BODY SHIP KIT - CARBON STEEL
18	4	0719710	PLATE, SPLIT HARNESS ALUMINUM
19	2	0721514	PLATE, TAIL LIGHT INSPECT COVER
20	2	9025049	INTERIOR & COMPARTMENT LIGHT W/SWITCH
--	--	0910042	KIT, LIGHT CS, SS, ALUMINUM CONVENTIONAL
21	2	0310214	LAMP, LED SIDE MARKER (AMBER)
22	4	0310215	LAMP, LED SIDE MARKER (RED)
23	2	0310353	LIGHT, AGROLUN LH STOP/TAIL RED
24	2	0310354	LIGHT, AGROLUN RH STOP/TAIL RED
25	1	0310355	LIGHT, AGROLUN LH BACK-UP, CLEAR
26	1	0310356	LIGHT, AGROLUN RH BACK-UP, CLEAR
27	24	0400035	10-24 X 1/2" OVAL HD SS TYPE F
28	2	9032053	GROMMET, RUBBER McMASTER 5/8" X 1/8"
29	2	GV57	RUBBER - GROMMET, ATLANTIC

# Section II - PARTS (cont'd)

## STAINLESS STEEL BODY ASSEMBLY



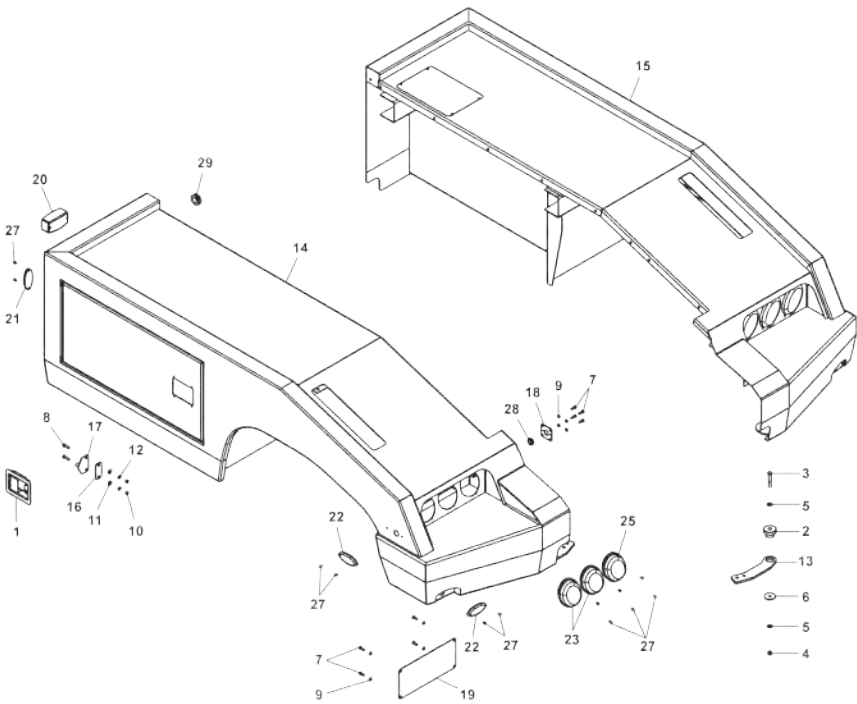
## Section II - PARTS (cont'd)

### STAINLESS STEEL BODY ASSEMBLY

REF. NO.	NO. REQ'D	PART NUMBER	DESCRIPTION
--	--	0909173	BODY INSTALL STAINLESS STEEL MODULAR
1	2	0303120	LATCH PADDLE W/GASKET
2	2	0307114	RUBBER MOUNT, TBA 20103
3	6	0400132	3/8"-16 X 1 1/2" HHCS GR5 ZP
4	2	0400392	3/8"-16 NYLOK HEX NUT ZINC
5	2	0400480	3/8" FLAT WASHER ZP
6	2	0400484	WASHER, SPECIAL 13/32" ID X 1 3/4" OD
7	10	0402020	1/4"-20NC X 3/4" HEX HD SS
8	18	0402032	5/16"-18NC X 1" HHCS 8-18 SS
9	10	0402111	1/4" SS LOCKWASHER 316
10	18	0402116	5/16"-18NC X 1" HEX NYLOK SS
11	41	0402117	5/16" FLAT WASHER 316SS
12	30	0402118	5/16" HELICAL LOCKWASHER SS
13	2	0719921	PLATE, BODY/SUBFRAME MOUNTING
14	1	0807276	BODY, LH SS W/ HELLA LIGHTS
15	1	0807277	BODY, RH SS W/ HELLA LIGHTS
16	2	945400518	WASHER PLATE PL - STRIKE
17	2	945400800	STRIKER PIN WELDMENT PLATE
--	--	0909174	BODY SHIP KIT - CARBON STEEL
18	4	0719842	PLATE, SPLIT HARNESS ALUMINUM
19	2	0721515	PLATE, TAIL LIGHT INSPECT COVER
20	2	9025049	INTERIOR & COMPARTMENT LIGHT W/SWITCH
--	--	0910042	KIT, LIGHT CS, SS, ALUMINUM CONVENTIONAL
21	2	0310214	LAMP, LED SIDE MARKER (AMBER)
22	4	0310215	LAMP, LED SIDE MARKER (RED)
23	2	0310353	LIGHT, AGROLUN LH STOP/TAIL RED
24	2	0310354	LIGHT, AGROLUN RH STOP/TAIL RED
25	1	0310355	LIGHT, AGROLUN LH BACK-UP, CLEAR
26	1	0310356	LIGHT, AGROLUN RH BACK-UP, CLEAR
27	24	0400035	10-24 X 1/2" OVAL HD SS TYPE F
28	2	9032053	GROMMET, RUBBER McMASTER 5/8" X 1/8"
29	2	GV57	RUBBER - GROMMET, ATLANTIC

# Section II - PARTS (cont'd)

## ALUMINUM BODY ASSEMBLY



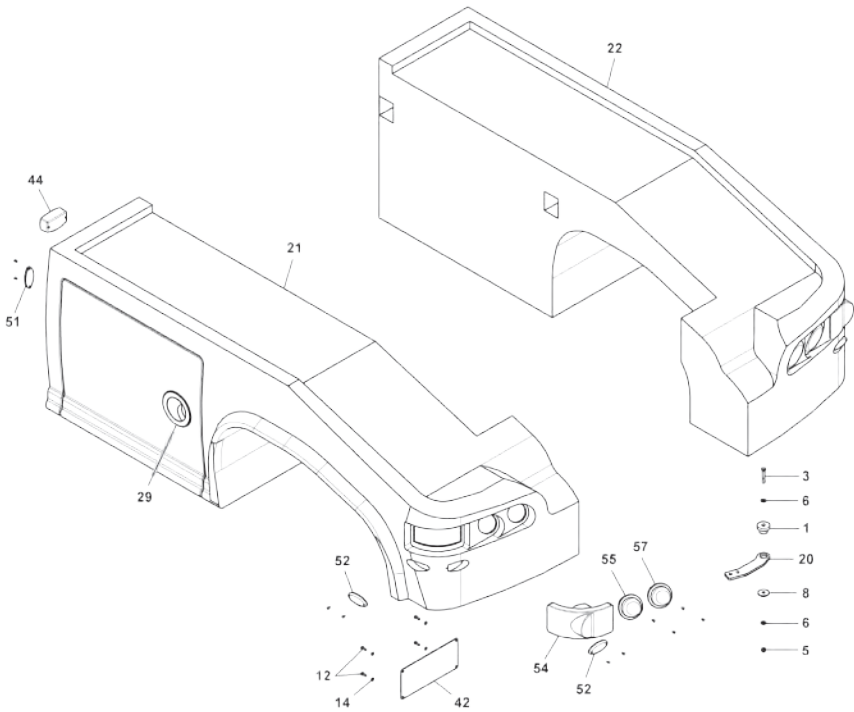
## Section II - PARTS (cont'd)

### ALUMINUM BODY ASSEMBLY

REF. NO.	NO. REQ'D	PART NUMBER	DESCRIPTION
--	--	0909171	BODY INSTALL ALUMINUM MODULAR
1	2	0303120	LATCH PADDLE W/GASKET
2	2	0307114	RUBBER MOUNT, TBA 20103
3	6	0400132	3/8"-16 X 1 1/2" HHCS GR5 ZP
4	2	0400392	3/8"-16 NYLOK HEX NUT ZINC
5	2	0400480	3/8" FLAT WASHER ZP
6	2	0400484	WASHER, SPECIAL 13/32" ID X 1 3/4" OD
7	10	0402020	1/4"-20NC X 3/4" HEX HD SS
8	18	0402032	5/16"-18NC X 1" HHCS 8-18 SS
9	10	0402111	1/4" SS LOCKWASHER 316
10	18	0402116	5/16"-18NC X 1" HEX NYLOK SS
11	41	0402117	5/16" FLAT WASHER 316SS
12	30	0402118	5/16" HELICAL LOCKWASHER SS
13	2	0719921	PLATE, BODY/SUBFRAME MOUNTING
14	1	0807278	BODY, LH SS W/ HELLA LIGHTS
15	1	0807279	BODY, RH SS W/ HELLA LIGHTS
16	2	945400518	WASHER PLATE PL - STRIKE
17	2	945400800	STRIKER PIN WELDMENT PLATE
--	--	0909172	BODY SHIP KIT - CARBON STEEL
18	4	0719841	PLATE, SPLIT HARNESS ALUMINUM
19	2	0721516	PLATE, TAIL LIGHT INSPECT COVER
20	2	9025049	INTERIOR & COMPARTMENT LIGHT W/SWITCH
--	--	0910042	KIT, LIGHT CS, SS, ALUMINUM CONVENTIONAL
21	2	0310214	LAMP, LED SIDE MARKER (AMBER)
22	4	0310215	LAMP, LED SIDE MARKER (RED)
23	2	0310353	LIGHT, AGROLUN LH STOP/TAIL RED
24	2	0310354	LIGHT, AGROLUN RH STOP/TAIL RED
25	1	0310355	LIGHT, AGROLUN LH BACK-UP, CLEAR
26	1	0310356	LIGHT, AGROLUN RH BACK-UP, CLEAR
27	24	0400035	10-24 X 1/2" OVAL HD SS TYPE F
28	2	9032053	GROMMET, RUBBER McMASTER 5/8" X 1/8"
29	2	GV57	RUBBER - GROMMET, ATLANTIC

# Section II - PARTS (cont'd)

## COMPOSITE BODY ASSEMBLY





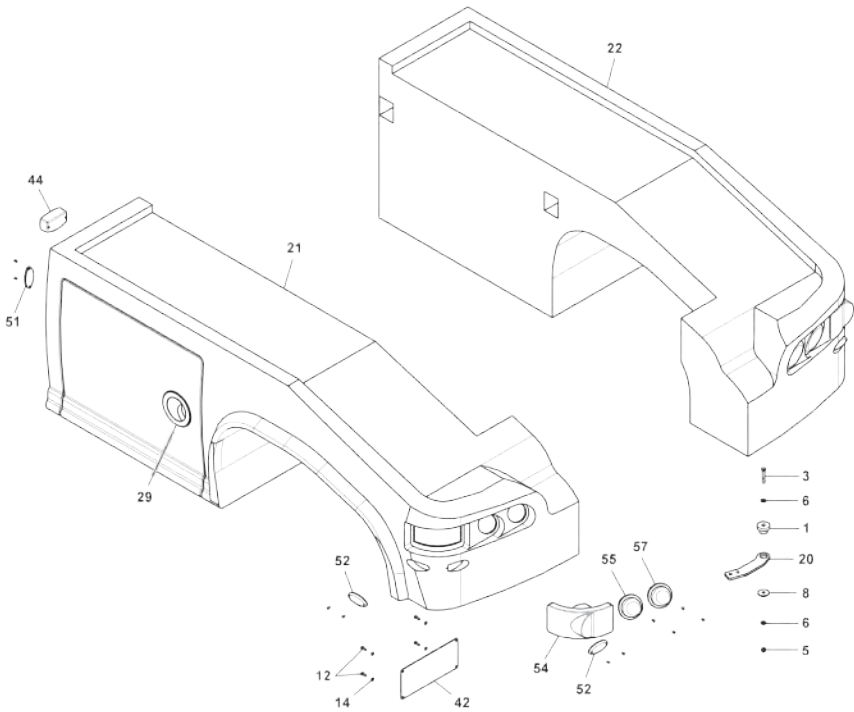
## Section II - PARTS (cont'd)

### COMPOSITE BODY ASSEMBLY

REF. NO.	NO. REQ'D	PART NUMBER	DESCRIPTION
--	--	--	BODY INSTALL, CONVENTIONAL COMPOSITE
1	2	0307114	RUBBER MOUNT, TBA 20103
2	3	0310326	PAD, RUBBER DECK VIBRATION
3	6	0400132	3/8"-16 X 1-1/2" HHCS GR5 ZP
4	10	0400133	3/8"-16 X 3" HHCS GR5 ZP
5	12	0400392	3/8"-16 NYLOK HEX NUT ZP
6	2	0400480	3/8" FLAT WASHER ZP
7	6	0400482	3/8" HELICAL LOCKWASHER ZP
8	2	0400484	WASHER, SPECIAL .406 ID X 1.75 OD
9	30	0400823	5/16"-18 X 3/4" SS HHCS
10	3	0400824	5/16"-18 X 1-3/4" SS HHCS
11	2	0400825	3/8"-16 X 3/4" SS HHCS
12	10	0402020	1/4"-20NC X 3/4" HEX HD SS
13	18	0402032	5/16"-18NC X 1" HHCS 8-18 SS
14	10	0402111	1/4" SS LOCKWASHER 316
15	18	0402116	5/16"-18NC HEX NYLON LOCKNUT SS
16	41	0402117	5/16" FLAT WASHER 316SS
17	30	0402118	5/16" HELICAL LOCKWASHER SS
18	2	0402120	3/8" FLAT WASHER 316 SS
19	2	0402121	3/8" LOCKWASHER 316 SS
20	2	0721607	PLATE, BODY/SUBFRAME MTG
21	1	--	LT BODY ASSY, CONVENTIONAL COMPOSITE
22	1	--	RT BODY ASSY, CONVENTIONAL COMPOSITE
--	--	--	LT BODY ASSY, CONVENTIONAL COMPOSITE
23	8	0307480	TRIM SEAL 4100 B3X3/16C
24	1	0908309	HARDWARE KIT, 301M COMPOSITE BODY
25	1	945400800	STRIKER PIN WELDMENT PL
26	1	3810-117001	ASSEMBLY KIT, COMPOSITE BODY PARTS
27	2	561-0380001	SLEEVE BEARING, 3/8" ID X 1/2" OD
28	2	561-0380002	BEARING, BRONZE 3/8" ID X 7/16" OD
29	1	562-0100000	D-PADDLE LATCH
30	1	0310301	BODY, LEFT CONV. COMPOSITE GRAY
31	1	0310302	BODY, RIGHT CONV. COMPOSITE GRAY
32	1	0310303	BODY, LEFT CONV. COMPOSITE WHITE
33	1	0310304	BODY, RIGHT CONV. COMPOSITE WHITE
34	1	0310305	BODY, LEFT CONV. COMPOSITE BLACK
35	1	0310306	BODY, RIGHT CONV. COMPOSITE BLACK
36	1	0310307	BODY, LEFT CONV. COMPOSITE RED
37	1	0310308	BODY, RIGHT CONV. COMPOSITE RED

# Section II - PARTS (cont'd)

## COMPOSITE BODY ASSEMBLY (cont'd)



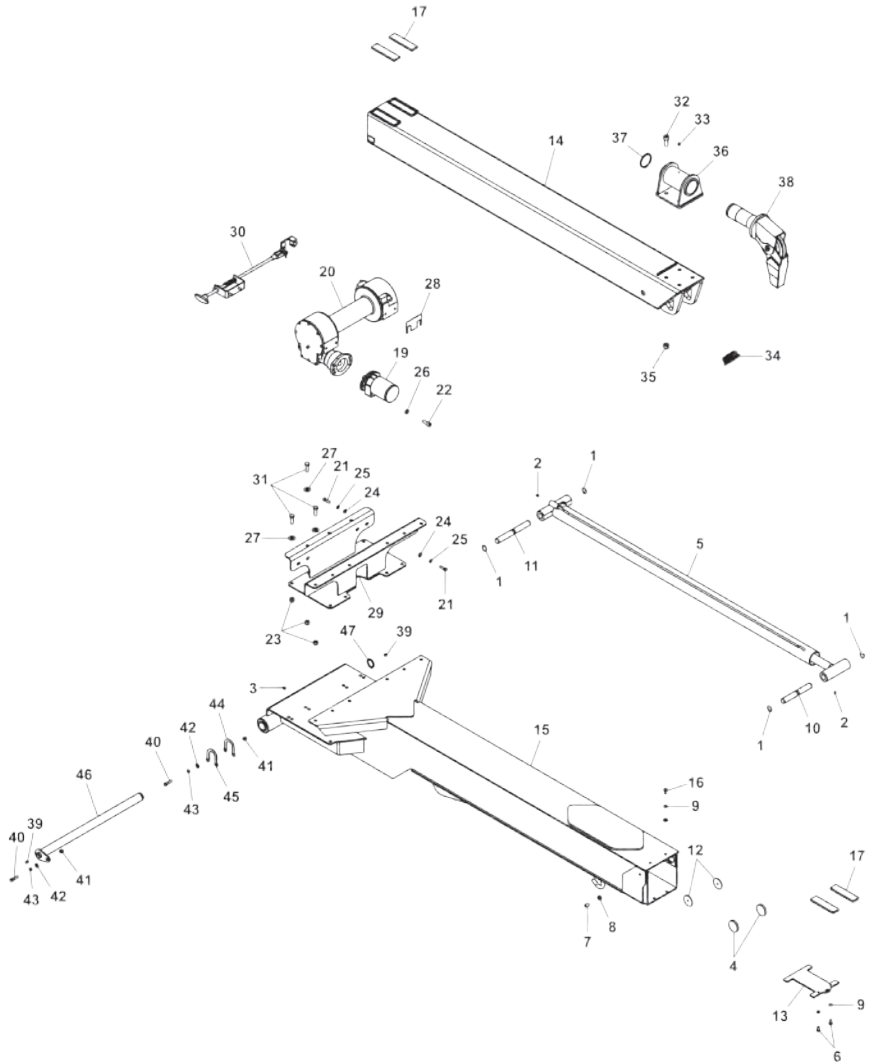
## Section II - PARTS (cont'd)

### COMPOSITE BODY ASSEMBLY (cont'd)

REF. NO.	NO. REQ'D	PART NUMBER	DESCRIPTION
--	--	0910040	BODY SHIP KIT, CONVENTIONAL COMPOSITE
38	6	0307523	TRIM-LOK 7100B3 X 1/4C
39	16	0402020	1/4"-20NC X 3/4" HEX HD SS
40	16	0402111	1/4" SS LOCKWASHER 316
41	4	0719841	PLATE, SPLIT HARNESS ALUM
42	2	0721516	PLATE, TAIL LIGHT INSPECT COVER
43	1	0910041	LIGHT KIT, CONV COMPOSITE BODY HELLA
44	2	9025049	INTERIOR & COMPART. LIGHT W/SW
45	3	9032006	WEATHER STRIP 3/16 X 1/2
--	--	0910041	LIGHT KIT, CONV COMPOSITE BODY HELLA
46	2	GV57	RUBBER GROMMET, ATLANTIC
47	1	0301671	TOW LIGHT SOCKET (4 PIN)
48	20	0302062	WIRE TIE 21"
49	1	0303061	BACK UP ALARM ECCOMS97
50	1	0303226	80 AMP CIRCUIT BREAKER
51	2	0310214	LAMP, LED SIDE MARKER (AMBER)
52	4	0310215	LAMP, LED SIDE MARKER (RED)
53	2	0310217	KIT, 22" TEAR DROP LIGHT (AMBER)
54	2	0310280	LIGHT, WRAPAROUND STOP/TAIL 12V
55	1	0310353	LIGHT, AGROLUN LH STOP/TAIL RED
56	1	0310354	LIGHT, AGROLUN RH STOP/TAIL RED
57	1	0310355	LIGHT, AGROLUN LH BACK-UP, CLEAR
58	1	0310356	LIGHT, AGROLUN RH BACK-UP, CLEAR
59	6	0400066	1/4"-20 X 3/4" HHCS GR5 ZP
60	6	0400367	1/4"-20 NYLOK HEX NUT ZP
61	2	0400451	1/4" FLATWASHER ZP
62	12	0400686	#10-24 X 1" LG SS PHILLIPS PAN HD
63	12	0400688	#10-24 SS NYLOK NUT
64	12	0400689	#6-32 X 1" LG SS PHILLIPS PAN HD
65	12	0400690	#6-32 SS NYLOK NUT
66	8	0400691	#8 X 3/4" PHILLIP PAN HD SHTMTL
67	1	0501655	TAILLIGHT INSTALL INSTRUCTIONS COMP
68	5	9022076	RING TERM 14-16GA DK BLUE CRIMP
69	1	9025062	LICENSE BKT C/W LIGHT6
70	2	9032053	GROMMET, RUBBER MCMAST. 5/8X1/8
71	6	523-1402300	TERMINAL, 14GA BUTT/SHRINK BLU

# Section II - PARTS (cont'd)

## 881 BOOM ASSEMBLY



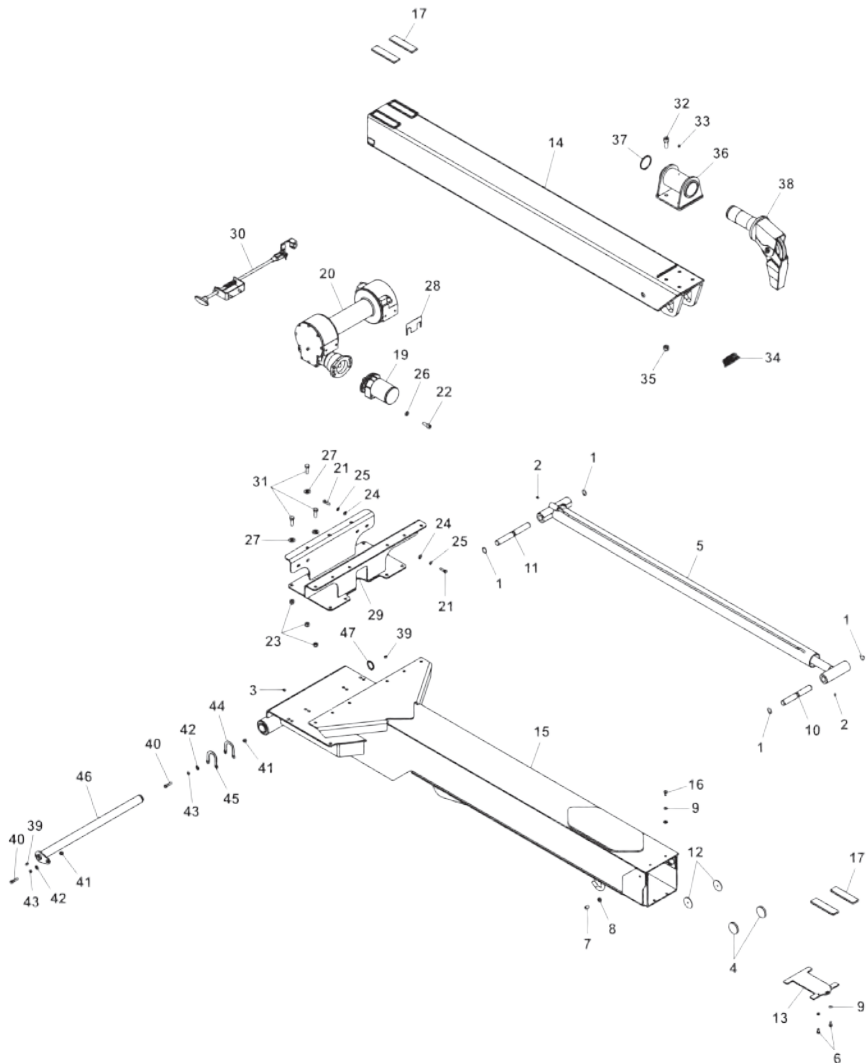
## Section II - PARTS (cont'd)

### 881 BOOM ASSEMBLY

REF. NO.	NO. REQ'D	PART NUMBER	DESCRIPTION
--	--	0910277	BOOM ASSEMBLY, 8 TON CONV. 880/400
1	4	0300110	SNAP RING, 1" 5100-100
2	2	0300113	GREASE FITTING, 1/4"- 28 STRAIGHT
3	1	0301895	GREASE FITTING, STR 1/8" PTF
4	2	0306819	PAD SLIDE 2 1/4" DIA UHMW
5	1	0310488	CYLINDER, BOOM EXTEND
6	2	0400149	3/8"- 16 X 5/8" HHCS GR5 ZP
7	2	0400204	1/2"- 13 X 3/4" SKT HD SET
8	2	0400410	1/2"- 13 HEX JAM NUT ZP
9	4	0400482	3/8" HELICAL LOCKWASHER ZP
10	1	0703082	PIN, EXT CYLINDER PIVOT
11	1	0703137	SHAFT, EXT CYLINDER OUTER BOOM
12	2	0717674	SHIM, PAD SPACER
13	1	0722282	PLATE PAD CAGE
14	1	0807472	BOOM WELDMENT, 8 TON INNER
15	1	0807474	BOOM WELDMENT, 8 TON OUTER
16	2	9041202	3/8"-16 X 5/8" HHCS PL GR8
17	4	896040002	NYLATRON - 6" X 1 1/2" X
18	1	3012-794003	SPACER BAR
--	--	0908392	8K SINGLE WINCH BUCKET ASSEMBLY
19	1	0307097	MOTOR, HYDRAULIC PARKER 4 CU IN
20	1	0307579	WINCH LEFT
21	6	0400122	3/8"- 16 X 1 1/4" HHCS GR5 ZP
22	2	0400196	1/2"- 13 X 1 1/4" SOCKET HD
23	14	0400416	1/2"- 13 NYLOK GR 8 YZ PLT
24	2	0400480	3/8" FLAT WASHER ZP
25	6	0400482	3/8" HELICAL LOCKWASHER ZP

# Section II - PARTS (cont'd)

## 881 BOOM ASSEMBLY (cont'd)



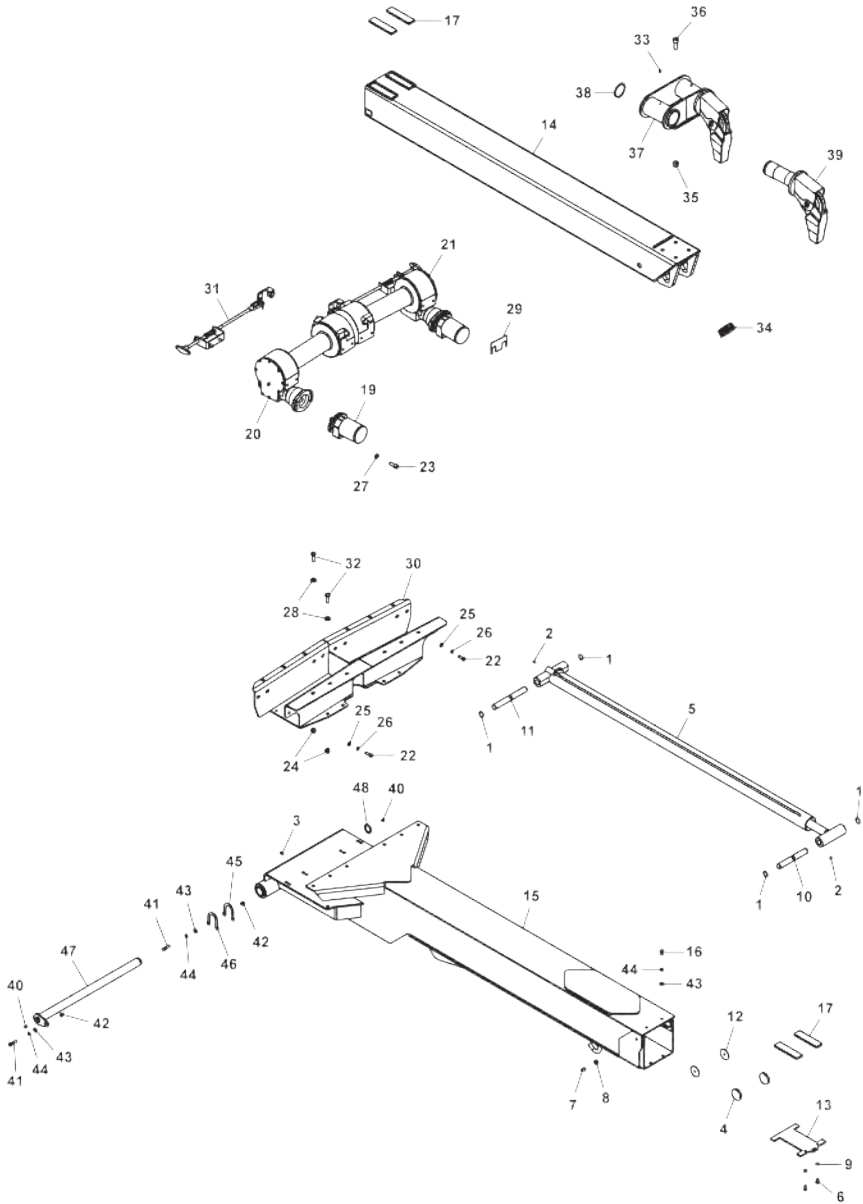
## Section II - PARTS (cont'd)

### 881 BOOM ASSEMBLY (cont'd)

REF. NO.	NO. REQ'D	PART NUMBER	DESCRIPTION
--	--	0908392	8K SINGLE WINCH BUCKET ASSEMBLY (cont'd)
26	2	0400491	1/2" HELICAL LOCKWASHER ZP
27	28	0400497	1/2" FLAT WASHER GR 8 ZP
28	2	0706668	SHIM WINCH MOUNTING
29	1	0806846	WINCH BUCKET WELDMENT
30	1	0908627	WINCH FREESPOOL ASSEMBLY MODULAR
31	14	9041403	1/2" NC X 1 1/2" HHCS PL G
--	--	0908394	SINGLE SHEAVE HEAD ASSEMBLY
32	1	0300113	GREASE FITTING, 1/4"- 28 STRAIGHT
33	1	0307590	PLUG, LDPE BLACK SQR-17-1014
34	4	0400426	5/8"- 11 GR 8 NYLOK NUT ZP
35	1	0806844	SHEAVE HEAD WELDMENT
36	1	9055275	SNAP RING EXT 2 3/4" 5160-275
37	1	805180000	SHEAVE HOUSING ASSEMBLY
38	4	HD0505	5/8"- 11 X 1 1/2" SKT HD CP SCREW
--	--	0909102	SUBFRAME ASSEMBLY
39	2	0301895	GREASE FITTING STANDARD 1/8" PTF
40	4	0400132	3/8"- 16 X 1 1/2" HHCS GR5 ZP
41	5	0400392	3/8"- 16 NYLOK HEX NUT ZINC
42	4	0400480	3/8" FLAT WASHER ZP
43	2	0400482	3/8" HELICAL LOCKWASHER ZP
44	2	0719519	SHIM BOOM PIVOT (0.0747)
45	2	0719520	SHIM BOOM PIVOT (0.1196)
46	1	0807183	BOOM PIVOT PIN WELDMENT
47	1	9056150	RETAINING RING 1 1/2"

# Section II - PARTS (cont'd)

## 882 BOOM ASSEMBLY





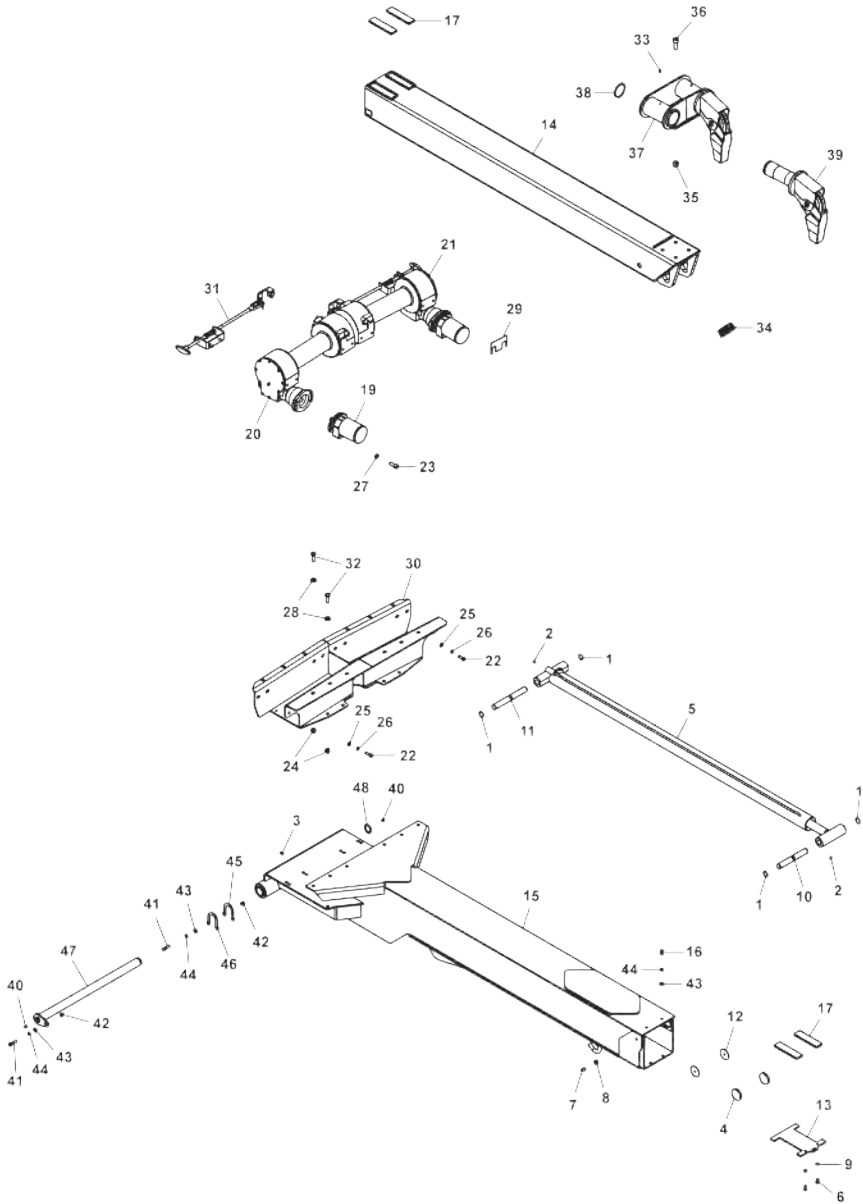
## Section II - PARTS (cont'd)

### 882 BOOM ASSEMBLY

REF. NO.	NO. REQ'D	PART NUMBER	DESCRIPTION
--	--	0910277	BOOM ASSEMBLY, 8 TON CONV. 880/400
1	4	0300110	SNAP RING, 1" 5100-100
2	2	0300113	GREASE FITTING, 1/4"- 28 STRAIGHT
3	1	0301895	GREASE FITTING, STR 1/8" PTF
4	2	0306819	PAD SLIDE 2 1/4" DIA UHMW
5	1	0310488	CYLINDER, BOOM EXTEND
6	2	0400149	3/8"- 16 X 5/8" HHCS GR5 ZP
7	2	0400204	1/2"- 13 X 3/4" SKT HD SET
8	2	0400410	1/2"- 13 HEX JAM NUT ZP
9	4	0400482	3/8" HELICAL LOCKWASHER ZP
10	1	0703082	PIN, EXT CYLINDER PIVOT
11	1	0703137	SHAFT, EXT CYLINDER OUTER BOOM
12	2	0717674	SHIM, PAD SPACER
13	1	0722282	PLATE PAD CAGE
14	1	0807472	BOOM WELDMENT, 8 TON INNER
15	1	0807474	BOOM WELDMENT, 8 TON OUTER
16	2	9041202	3/8"-16 X 5/8" HHCS PL GR8
17	4	896040002	NYLATRON - 6" X 1 1/2" X
18	1	3012-794003	SPACER BAR
--	--	0908392	8K DUAL WINCH BUCKET ASSEMBLY
19	2	0307097	MOTOR, HYDRAULIC PARKER 4 CU IN
20	1	0307579	WINCH - LEFT
21	1	0307580	WINCH - RIGHT
22	12	0400122	3/8"-16 X 1 1/4" HHCS GR5 ZP
23	4	0400196	1/2"-13 X 1 1/4" SOCKET HD
24	14	0400416	1/2"-13 NYLOK GR 8 YZ PLT
25	8	0400480	3/8" FLAT WASHER ZP
26	16	0400482	3/8" HELICAL LOCKWASHER ZP

# Section II - PARTS (cont'd)

## 882 BOOM ASSEMBLY (cont'd)



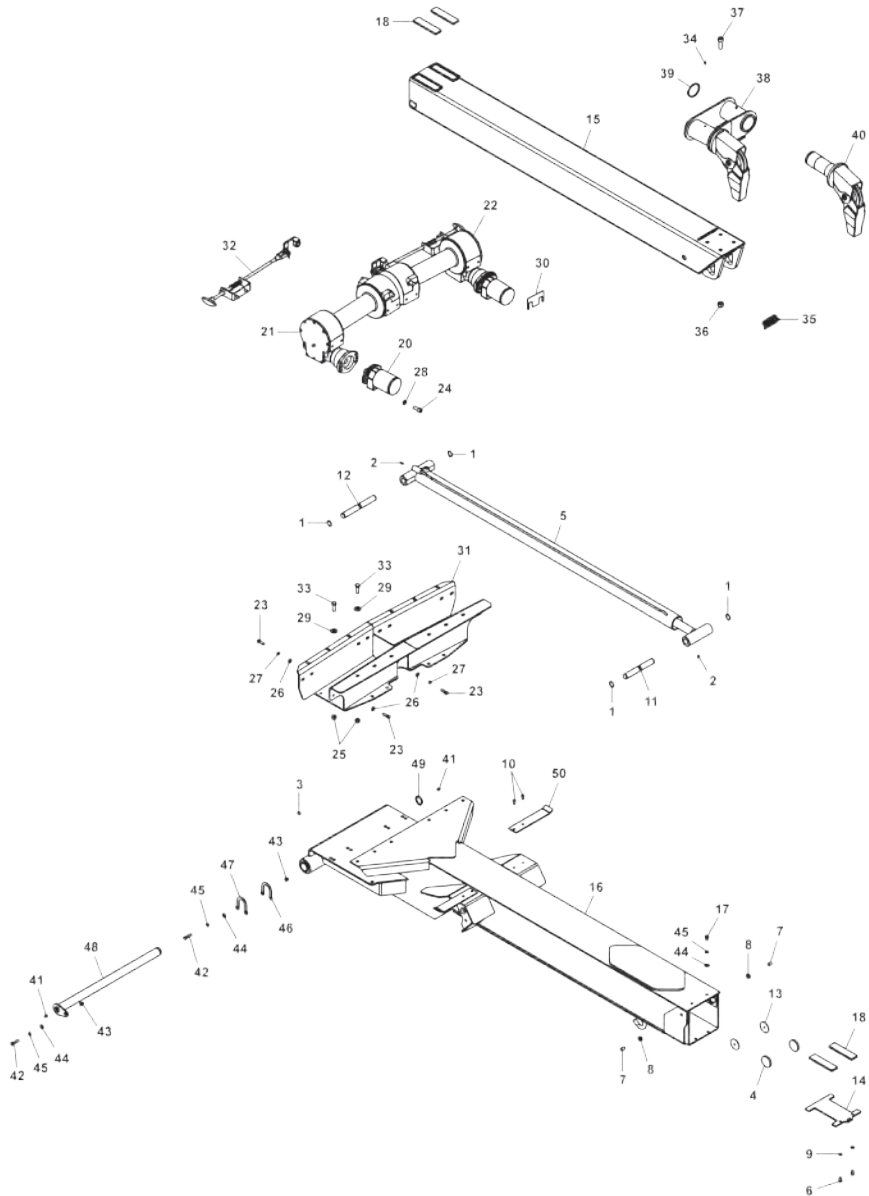
## Section II - PARTS (cont'd)

### 882 BOOM ASSEMBLY (cont'd)

REF. NO.	NO. REQ'D	PART NUMBER	DESCRIPTION
--	--	0908392	8K DUAL WINCH BUCKET ASSEMBLY (cont'd)
27	4	0400491	1/2" HELICAL LOCKWASHER ZP
28	28	0400497	1/2" FLAT WASHER GR 8 ZP
29	4	0706668	SHIM WINCH MOUNTING
30	1	0806847	WINCH BUCKET WELDMENT
31	2	0908627	WINCH FREESPOOL ASSEMBLY MODULAR
32	14	9041403	1/2" NC X 1 1/2" HHCS PL G
--	--	0908761	8K DUAL SHEAVE HEAD ASSEMBLY
33	2	0300113	GREASE FITTING, 1/4"-28 STRAIGHT
34	1	0310320	CAP, 2 X 2 SQ. BOOM END PLASTIC
35	4	0400426	5/8"-11 GR 8 NYLOK NUT ZP
36	4	0401010	5/8"-11 X 1 3/4" LG SOCKET HD CS
37	1	0806906	DUAL 8K SHEAVE HEAD WELDMENT
38	2	9055275	SNAP RING EXT 2 3/4" 5160-275
39	2	805180000	SHEAVE HOUSING ASSEMBLY
--	--	0909102	SUBFRAME ASSEMBLY
40	2	0301895	GREASE FITTING STANDARD 1/8" PTF
41	4	0400132	3/8"-16 X 1 1/2" HHCS GR5 ZP
42	5	0400392	3/8"-16 NYLOK HEX NUT ZINC
43	4	0400480	3/8" FLAT WASHER ZP
44	2	0400482	3/8" HELICAL LOCKWASHER ZP
45	2	0719519	SHIM BOOM PIVOT (0.0747)
46	2	0719520	SHIM BOOM PIVOT (0.1196)
47	1	0807183	BOOM PIVOT PIN WELDMENT
48	1	9056150	RETAINING RING 1 1/2"

# Section II - PARTS (cont'd)

## 892 BOOM ASSEMBLY



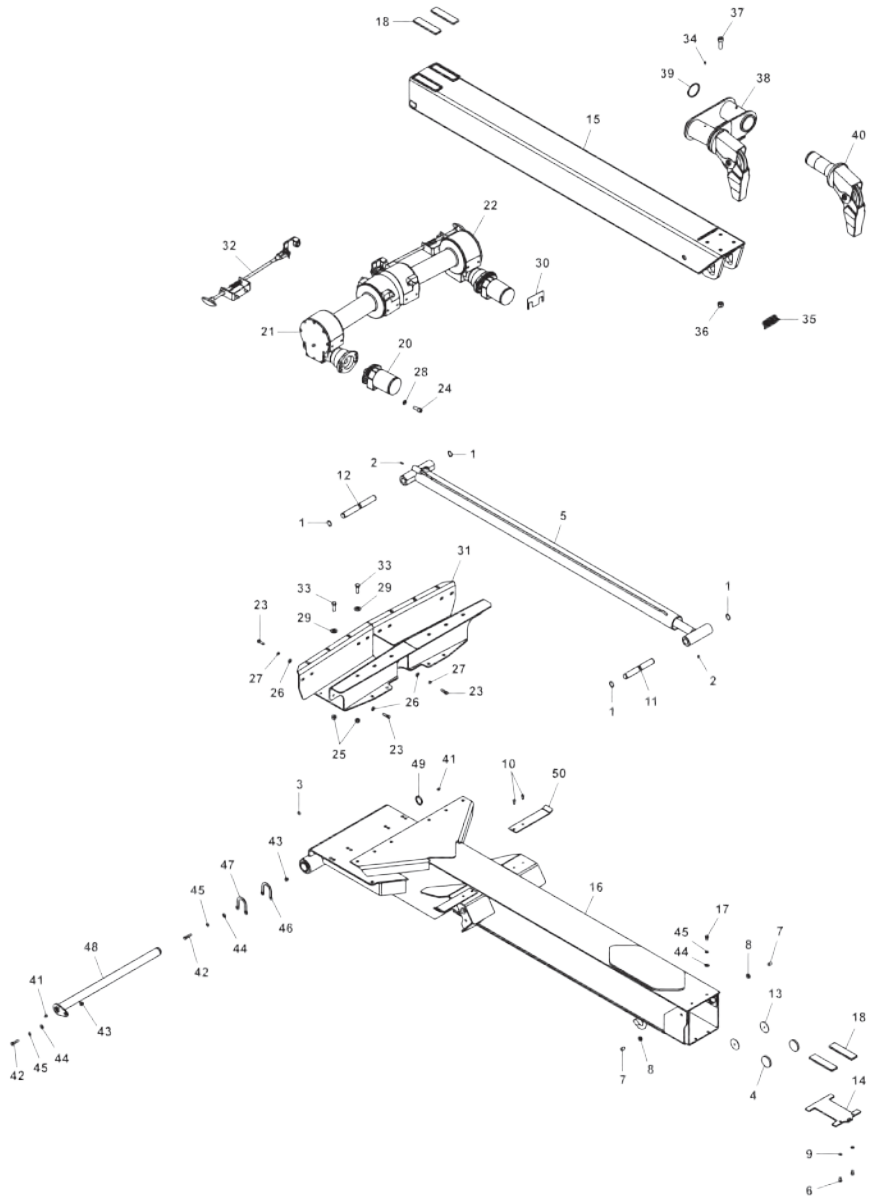
## Section II - PARTS (cont'd)

### 892 BOOM ASSEMBLY

REF. NO.	NO. REQ'D	PART NUMBER	DESCRIPTION
--	--	0910279	BOOM ASSEMBLY, 10/12 TON CONV.
1	4	0300110	SNAP RING, 1" 5100-100
2	2	0300113	GREASE FITTING, 1/4"-28 STRAIGHT
3	1	0301895	GREASE FITTING, STRAIGHT 1/8" PTF
4	2	0306819	PAD SLIDE 2 1/4" DIA UHMW
5	1	0310493	CYLINDER, BOOM EXTEND
6	2	0400149	3/8"-16 X 5/8" HHCS GR5 ZP
7	2	0400204	1/2"-13 X 3/4" SKT HD SET
8	2	0400410	1/2"-13 HEX JAM NUT ZP
9	4	0400482	3/8" HELICAL LOCKWASHER ZP
10	4	0400614	5/16"-18 X 3/4" ALLEN BUTTON HD
11	1	0703082	PIN, EXT CYL PIVOT
12	1	0703137	SHAFT, EXTEND CYL OUTER BOOM
13	2	0717674	SHIM, PAD SPACER
14	1	0722282	PLATE PAD CAGE
15	1	0807473	BOOM WELDMENT, 10/12 TON INNER
16	1	0807476	BOOM WELDMENT, 10/12 TON OUTER
17	2	9041202	3/8"-16 X 5/8" HHCS PL GR8
18	4	896040002	NYLATRON 6" X 1 1/2" X
19	1	3012-794003	SPACER BAR
--	--	0908391	8K DUAL WINCH BUCKET ASSEMBLY
20	2	0307097	MOTOR, HYD PARKER 4 CU IN
21	1	0307579	WINCH LEFT
22	1	0307580	WINCH RIGHT
23	12	0400122	3/8"-16 X 1 1/4" HHCS GR5 ZP
24	4	0400196	1/2"-13 X 1 1/4" SOCKET HD
25	14	0400416	1/2"-13 NYLOK GR 8 YZ PLT
26	8	0400480	3/8" FLAT WASHER ZP
27	16	0400482	3/8" HELICAL LOCKWASHER ZP
28	4	0400491	1/2" HELICAL LOCKWASHER ZP

# Section II - PARTS (cont'd)

## 892 BOOM ASSEMBLY (cont'd)



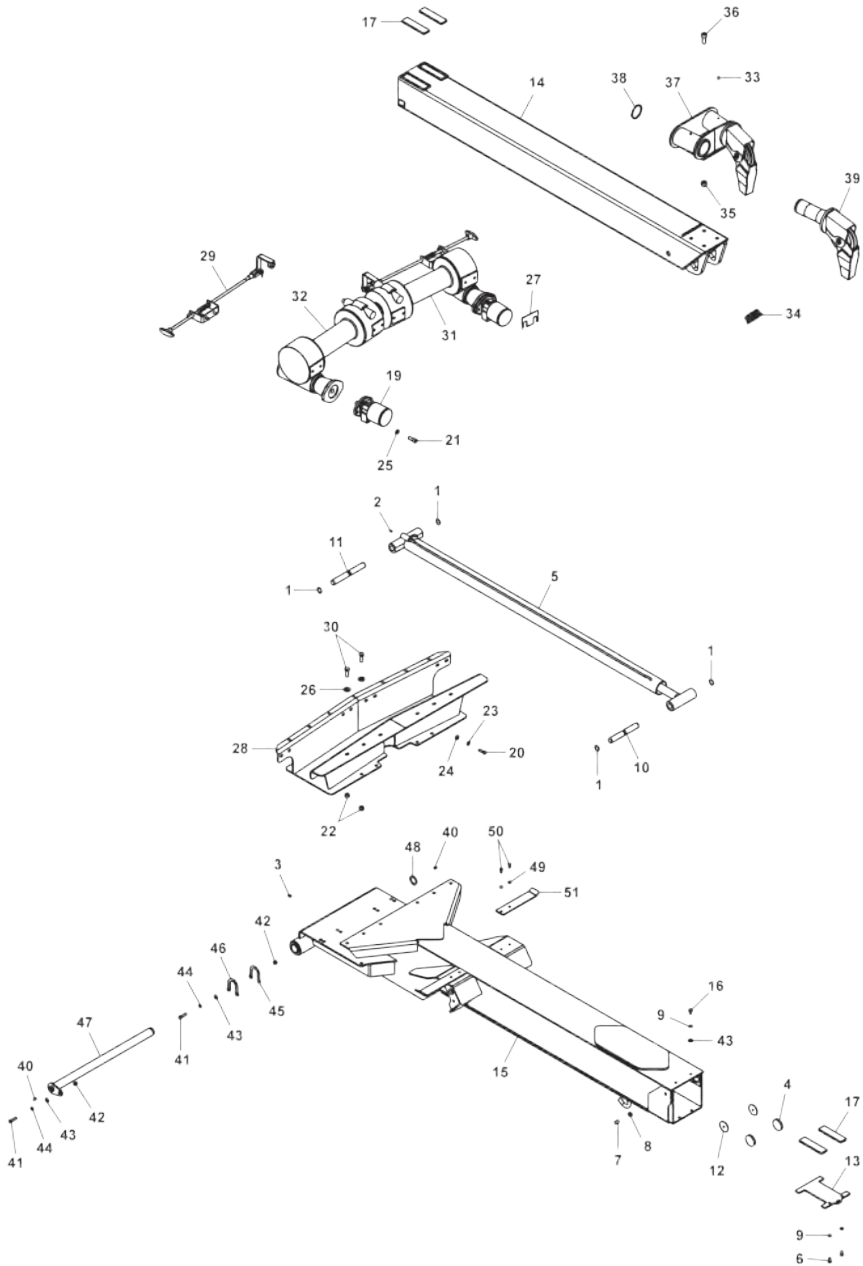
## Section II - PARTS (cont'd)

### 892 BOOM ASSEMBLY (cont'd)

REF. NO.	NO. REQ'D	PART NUMBER	DESCRIPTION
--	--	0908391	8K DUAL WINCH BUCKET ASSEMBLY (cont'd)
29	28	0400497	1/2" FLAT WASHER GR 8
30	4	0706668	SHIM WINCH MOUNTING
31	1	0806847	WINCH BUCKET WELDMENT
32	2	0908627	WINCH FREE SPOOL ASSEMBLY MODULAR
33	14	9041403	1/2" NC X 1 1/2" HHCS PL
--	--	0908761	8K DUAL SHEAVE HEAD ASSEMBLY
34	2	0300113	GREASE FITTING, 1/4"- 28 STRAIGHT
35	1	0310320	CAP, 2" X 2" SQ BOOM END PLASTIC
36	4	0400426	5/8"- 11 GR 8 NYLOK NUT YZ PLT
37	4	0401010	5/8"- 11 X 1 3/4" LG SOCKET HD CAP
38	1	0806906	DUAL 8K SHEAVE HEAD WELDMENT
39	2	9055275	SNAP RING EXT 2 3/4" 5160-275
40	2	805180000	SHEAVE HOUSING ASSEMBLY
--	--	0909116	SUBFRAME ASSEMBLY - 890
41	1	0301895	GREASE FITTING, STR 1/8" PTF
42	4	0400132	3/8"- 16 X 1 1/2" HHCS GR5 ZP
43	7	0400392	3/8"- 16 NYLOK HEX NUT ZINC
44	4	0400480	3/8" FLAT WASHER ZP
45	9	0400482	3/8" HELICAL LOCKWASHER ZP
46	2	0719519	SHIM BOOM PIVOT 5/64" THICK
47	2	0719520	SHIM BOOM PIVOT 1/8" THICK
48	1	0807183	PIN WELDMENT
49	1	9056150	RETAINING RING 1 1/2"
--	--	0909118	BASIC UNIT ASSEMBLY - 892
50	2	0721649	CABLE GUIDE FRONT

# Section II - PARTS (cont'd)

## 894 BOOM ASSEMBLY





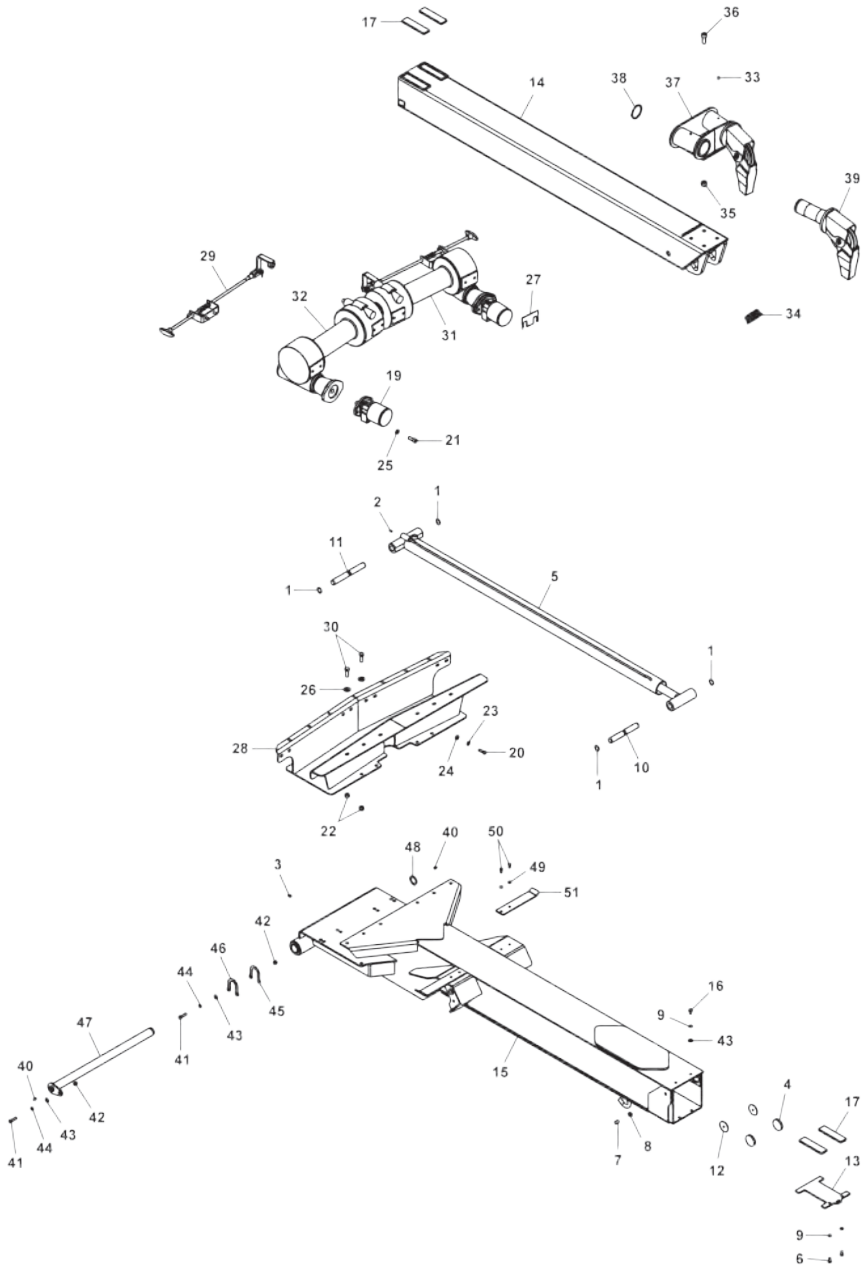
## Section II - PARTS (cont'd)

### 894 BOOM ASSEMBLY

REF. NO.	NO. REQ'D	PART NUMBER	DESCRIPTION
--	--	0910279	BOOM ASSEMBLY, 10/12 TON CONV.
1	4	0300110	SNAP RING, 1" 5100-100
2	2	0300113	GREASE FITTING, 1/4"-28 STRAIGHT
3	1	0301895	GREASE FITTING, STRAIGHT 1/8" PTF
4	2	0306819	PAD SLIDE 2 1/4" DIA UHMW
5	1	0310493	CYLINDER, BOOM EXTEND
6	2	0400149	3/8"-16 X 5/8" HHCS GR5 ZP
7	2	0400204	1/2"-13 X 3/4" SKT HD SET
8	2	0400410	1/2"-13 HEX JAM NUT ZP
9	4	0400482	3/8" HELICAL LOCKWASHER ZP
10	1	0703082	PIN, EXT CYL PIVOT
11	1	0703137	SHAFT, EXTEND CYL OUTER BOOM
12	2	0717674	SHIM, PAD SPACER
13	1	0722282	PLATE PAD CAGE
14	1	0807473	BOOM WELDMENT, 10/12 TON INNER
15	1	0807476	BOOM WELDMENT, 12 TON OUTER
16	2	9041202	3/8"-16 X 5/8" HHCS PL GR8
17	4	896040002	NYLATRON 6" X 1 1/2" X
18	1	3012-794003	SPACER BAR
--	--	0908391	10K DUAL WINCH BUCKET ASSEMBLY
19	2	0307101	MOTOR, HYD PARKER
20	12	0400122	3/8"-16 X 1 1/4" HHCS GR5 ZP
21	4	0400196	1/2"-13 X 1 1/4" SOCKET HD
22	14	0400416	1/2"-13 NYLOK GR 8 YZ PLT
23	8	0400480	3/8" FLAT WASHER ZP
24	16	0400482	3/8" HELICAL LOCKWASHER ZP
25	4	0400491	1/2" HELICAL LOCKWASHER ZP
26	28	0400497	1/2" FLAT WASHER GR 8
27	4	0706668	SHIM WINCH MOUNTING
28	1	0806891	10K DUAL WINCH BUCKET WELDMENT

# Section II - PARTS (cont'd)

## 894 BOOM ASSEMBLY (cont'd)



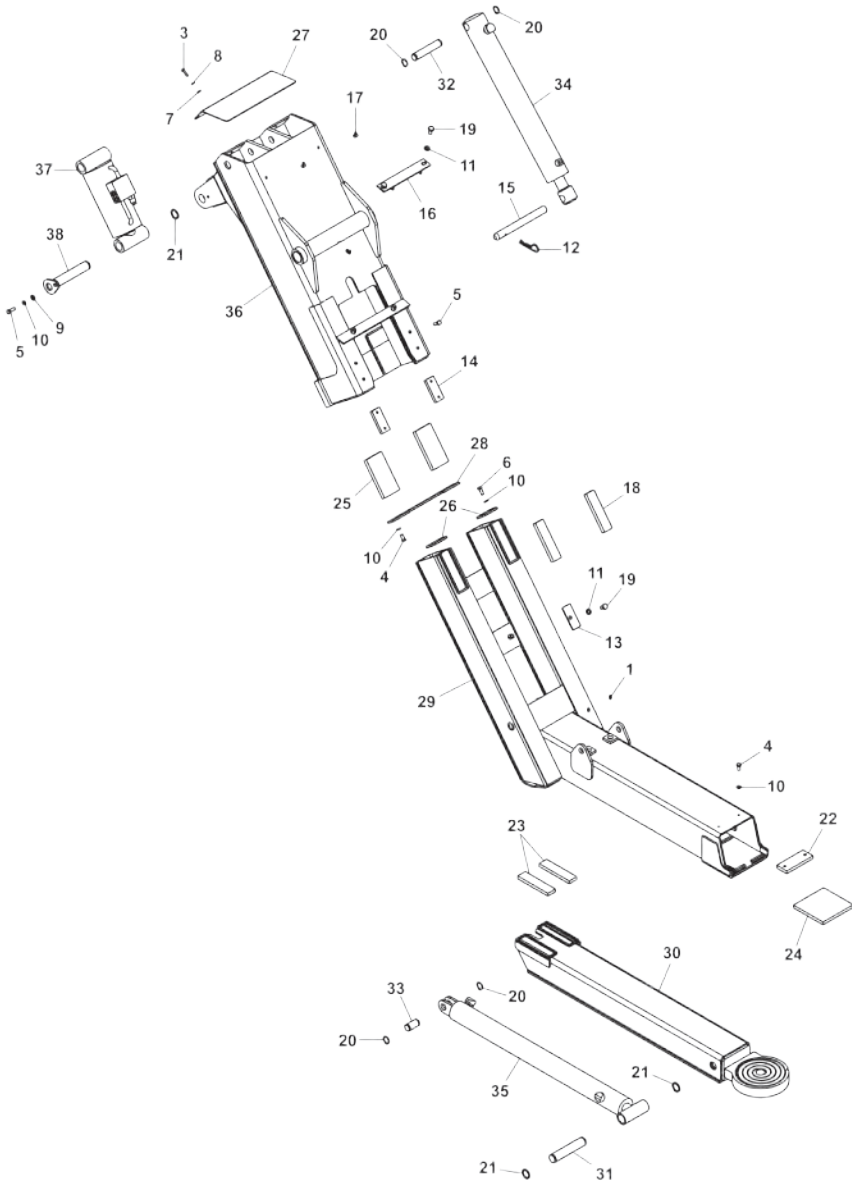
## Section II - PARTS (cont'd)

### 894 BOOM ASSEMBLY (cont'd)

REF. NO.	NO. REQ'D	PART NUMBER	DESCRIPTION
--	--	0908391	10K DUAL WINCH BUCKET ASSEMBLY (cont'd)
29	2	0906031	WINCH FREESPOOL (DUAL) 894
30	14	9041403	1/2" NC X 1 1/2" HHCS PL
31	1	9048160	5 TON RAMSEY WINCH (RH)
32	1	9048161	6 TON RAMSEY WINCH (RH)
--	--	0908762	10K DUAL SHEAVE HEAD ASSEMBLY
33	2	0300113	GREASE FITTING, 1/4"- 28 STRAIGHT
34	1	0310320	CAP, 2" X 2" SQ BOOM END PLASTIC
35	4	0400426	5/8"-11 GR 8 NYLOK NUT YZ PLT
36	4	0401010	5/8"-11 X 1 3/4" LG SOCKET HD CAP
37	1	0806892	DUAL 10K SHEAVE HEAD WELDMENT
38	2	9055275	SNAP RING EXT 2 3/4" 5160-275
39	2	805180000	SHEAVE HOUSING ASSEMBLY
--	--	0909116	SUBFRAME ASSEMBLY - 890
40	1	0301895	GREASE FITTING, STR 1/8" PTF
41	4	0400132	3/8"-16 X 1 1/2" HHCS GR5 ZP
42	7	0400392	3/8"-16 NYLOK HEX NUT ZINC
43	4	0400480	3/8" FLAT WASHER ZP
44	9	0400482	3/8" HELICAL LOCKWASHER ZP
45	2	0719519	SHIM BOOM PIVOT 5/64" THICK
46	2	0719520	SHIM BOOM PIVOT 1/8" THICK
47	1	0807183	PIN WELDMENT
48	1	9056150	RETAINING RING 1 1/2"
--	--	0909119	BASIC UNIT ASSEMBLY - 894
49	4	0400464	5/16" HELICAL LOCKWASHER ZP
50	4	0400614	5/16"-18 X 3/4" ALLEN BUTTON HD
51	2	0721649	CABLE GUIDE FRONT

# Section II - PARTS (cont'd)

## 880 WHEEL LIFT ASSEMBLY



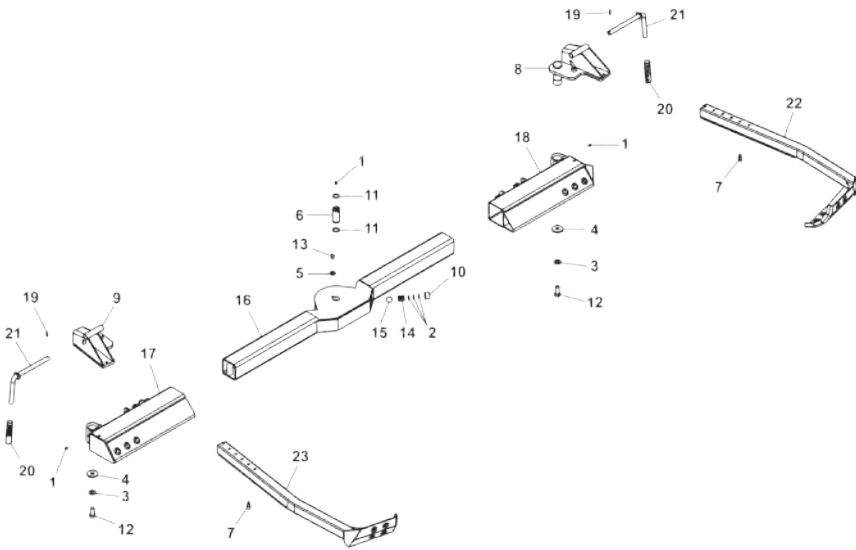
## Section II - PARTS (cont'd)

### 880 WHEEL LIFT ASSEMBLY

REF. NO.	NO. REQ'D	PART NUMBER	DESCRIPTION
--	--	0909177	UNDERLIFT ASSEMBLY - 880
1	2	0300113	GREASE FITTING, 1/4"-28 STRAIGHT
2	2	0300132	CABLE TIE T120R BLK 15 1/4" (NOT SHOWN)
3	2	0400070	1/4"-20 X 1" HHCS GR5 ZP
4	2	0400121	3/8"-16 X 3/4" HHCS GR5 ZP
5	4	0400126	3/8"-16 X 1" HHCS GR5 ZP
6	9	0400141	3/8"-16 X 7/8" HHCS GR5 ZP
7	2	0400451	1/4" FLAT WASHER ZP
8	2	0400452	1/4" HELICAL LOCKWASHER ZP
9	4	0400480	3/8" FLAT WASHER ZP
10	13	0400482	3/8" HELICAL LOCKWASHER ZP
11	4	0400487	7/16" HELICAL LOCKWASHER
12	1	0400585	1 1/4" HAIR PIN COTTER
13	2	8600203	HOSE CLAMP PLATE
14	2	8600204	SPACER BLOCK
15	1	8600210	ROD PIN (LIFT CYL)
16	1	8602100	HOSE CLAMP WELDMENT
17	3	9012536	GREASE NIPPLE 1/8" NPT X 90
18	2	9031158	5/8" X 1 1/2" X 6" UMHW WEAR BAR
19	4	9041353	7/16" NF X 3/4" HEX HD CAP
20	4	9056098	RET RING, EXT 1" NOM HVY DUTY
21	2	9056125	1 1/4" NOM HVY DUTY RET RING EXT
22	1	880060001	SPACER BAR
23	2	880060002	NYLATRON PAD (STINGER UPPER)
24	1	880060003	LOWER PAD STINGER
25	2	880060004	WEAR PAD LOWER TILT COLUMN
26	2	880060005	PAD HOLDER
27	1	880060006	TOP COVER PLATE
28	1	880060007	PAD RETAINER PLATE
29	1	880310000	STINGER OUTER BOOM WELDMENT
30	1	880330000	STINGER INNER BOOM WELDMENT
31	1	880400001	PIN STINGER EXTEND CYL REAR MOUNT
32	1	880400002	PIN STINGER UPPER LIFT CYLINDER
33	1	880400003	PIN STINGER EXTEND FRONT MOUNT
34	1	880650000	STINGER LIFT CYL 600-3128
35	1	880730000	STINGER EXT CYLINDER 600-3166
36	1	890250000	STINGER TILT COLUMN WELDMENT
--	--	0909102	SUBFRAME ASSEMBLY
37	1	0307638	CYLINDER, TILT (4.00 X 12.31)
--	--	0909101	GENERIC ASSEMBLY
38	1	880400500	PIN WELDMENT STINGER TILT CYLINDER

# Section II - PARTS (cont'd)

## 880 CROSSBAR ASSEMBLY



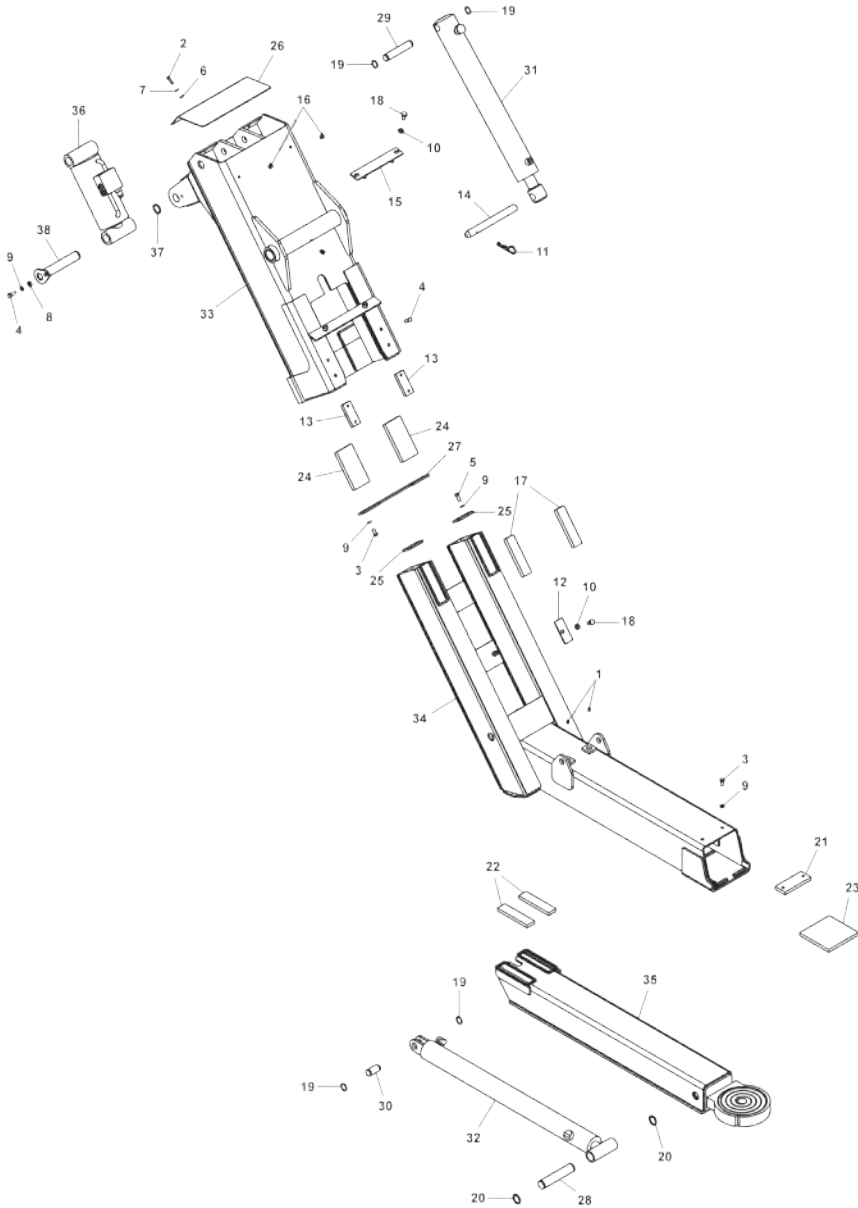
## Section II - PARTS (cont'd)

### 880 CROSSBAR ASSEMBLY

REF. NO.	NO. REQ'D	PART NUMBER	DESCRIPTION
--	--	8623600	CROSSBAR ASSEMBLY - NO WHEEL RETAINER
1	3	0300113	GREASE FITTING, 1/4"-28 STRAIGHT
2	3	0400480	3/8" FLAT WASHER ZP
3	2	0400505	5/8" SAE WASHER
4	2	8600404	WASHER
5	1	8600406	WASHER, PIVOT PIN RETAINING
6	1	8609001	CROSSBAR PIVOT PIN
7	2	8700109	SCOOP LOCK PIN
8	1	8701500	RH SCOOP BRACKET WELDMENT
9	1	8701600	LH SCOOP BRACKET WELDMENT
10	1	9012944	1" NPT SOC HD PIPE PLUG *
11	2	9030214	1" ID X 1 1/4" OD X 1/8" DIA O RING
12	2	9043950	5/8" NC X 1 1/2" HHCS PL GR 8
13	1	9043956	3/8" NC X 3/4" BUTTON HD ALLEN SCREW
14	1	9047057	DIE SPRING MHP 42
15	1	9052013	1" BALL CHROME
16	1	880360500	STINGER CROSSBAR WELDMENT
17	1	0807454	WHEEL GRID WELDMENT LH
18	1	0807455	WHEEL GRID WELDMENT RH
--	--	880411600	FRONT STOP PIN ASSEMBLY (CROSSBAR)
19	2	0400559	3/16" X 1" ROLL PIN ZP
20	2	9032158	RUBBER HAND GRIP- 0020-055
21	2	880411500	STOP PIN W. REPL. BY 880411600
--	--	0909098	881 SHIP KIT
22	1	8700180	RH WHEEL RETAINER WELDMENT
23	1	8700190	LH WHEEL RETAINER WELDMENT

# Section II - PARTS (cont'd)

## 890 WHEEL LIFT ASSEMBLY





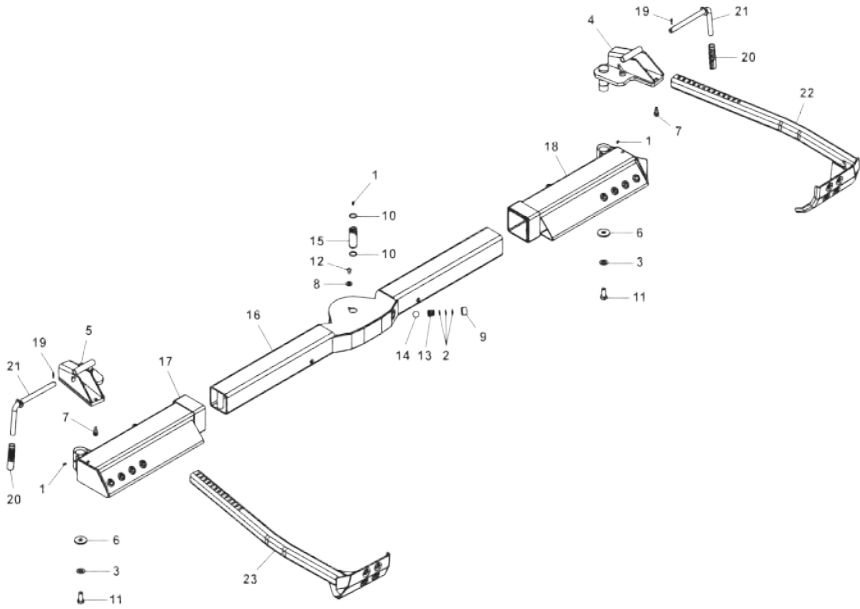
## Section II - PARTS (cont'd)

### 890 WHEEL LIFT ASSEMBLY

REF. NO.	NO. REQ'D	PART NUMBER	DESCRIPTION
--	--	0909178	UNDERLIFT ASSEMBLY - 890
1	2	0300113	GREASE FITTING, 1/4"-28 STRAIGHT
--	2	0300132	CABLE TIE T120R BLK 15 1/4"
2	2	0400070	1/4"-20 X 1" HHCS GR5 ZP
3	2	0400121	3/8"-16 X 3/4" HHCS GR5 ZP
4	4	0400126	3/8"-16 X 1" HHCS GR5 ZP
5	7	0400141	3/8"-16 X 7/8" HHCS GR5 ZP
6	2	0400451	1/4" FLAT WASHER ZP
7	2	0400452	1/4" HELICAL LOCKWASHER ZP
8	2	0400480	3/8" FLAT WASHER ZP
9	13	0400482	3/8" HELICAL LOCKWASHER
10	4	0400487	7/16" HELICAL LOCKWASHER
11	1	0400585	1 1/4" HAIR PIN COTTER
12	2	8600203	HOSE CLAMP PLATE
13	2	8600204	SPACER BLOCK
14	1	8600210	ROD PIN (LIFT CYLINDER)
15	1	8602100	HOSE CLAMP WELDMENT
16	2	9012536	GREASE NIPPLE 1/8" NPT X 90
17	2	9031158	5/8" X 1 1/2" X 6" UMHW WEAR BAR
18	4	9041353	7/16" NF X 3/4" HHCS
19	4	9056098	RET RING, EXT 1" NOM HEAVY DUTY
20	2	9056125	1 1/4" NOM HVY DUTY RET RING EXT
21	1	880060001	SPACER BAR
22	2	880060002	NYLATRON PAD (STINGER UPPER)
23	1	880060003	LOWER PAD STINGER
24	2	880060004	WEAR PAD LOWER TILT COLUMN
25	2	880060005	PAD HOLDER
26	1	880060006	TOP COVER PLATE
27	1	880060007	PAD RETAINER PLATE
28	1	880400001	PIN STINGER EXTEND CYLINDER REAR MOUNT
29	1	880400002	PIN STINGER UPPER LIFT CYLINDER
30	1	880400003	PIN STINGER EXTEND FRONT MOUNT
31	1	880650000	STING LIFT CYLINDER 600-3128
32	1	880730000	STING EXTEND CYLINDER 600-3166
33	1	890250000	STINGER TILT COLUMN WELDMENT
34	1	890310000	STINGER OUTER BOOM WELDMENT
35	1	890330000	STINGER INNER BOOM WELDMENT
--	--	0909116	SUBFRAME ASSEMBLY - 890
36	1	0307638	CYLINDER, TILT (4.00 X 12.31)
--	--	0909117	GENERIC ASSEMBLY - 890
37	1	880400500	PIN WELDMENT STINGER TILT CYLINDER

# Section II - PARTS (cont'd)

## 890 CROSSBAR ASSEMBLY



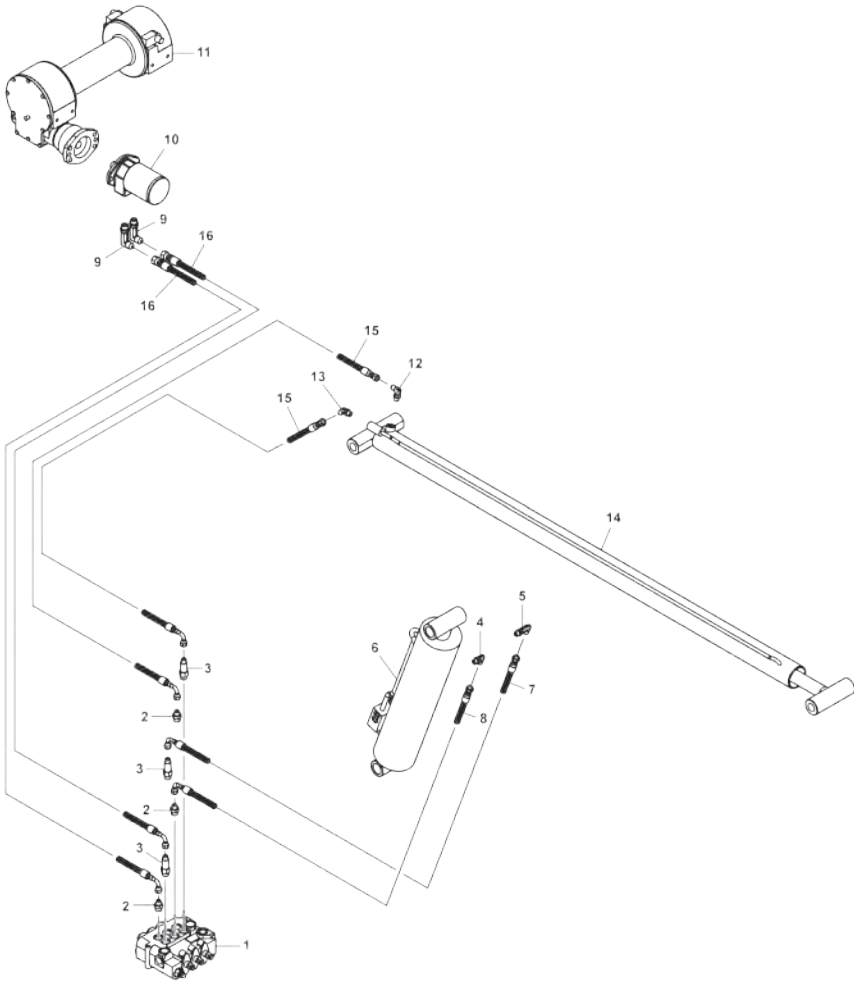
## Section II - PARTS (cont'd)

### 890 CROSSBAR ASSEMBLY

REF. NO.	NO. REQ'D	PART NUMBER	DESCRIPTION
--	--	8523600	CROSSBAR ASSEMBLY - NO WHEEL RETAINER
1	3	0300113	GREASE FITTING, 1/4"-28 STRAIGHT
2	3	0400480	3/8" FLAT WASHER ZP
3	2	0400505	5/8" SAE WASHER
4	1	8501400	SCOOP BRACKET WELDMENT RH
5	1	8501500	SCOOP BRACKET WELDMENT LH
6	2	8600404	WASHER
7	2	8600405	SCOOP PIN (CV)
8	1	8600406	WASHER, PIVOT PIN RETAINING
9	1	9012944	1" NPT SOC HD PIPE PLUG *
10	2	9030214	1" ID X 1 1/4" OD X 1/8" DIA O RING
11	2	9043950	5/8 NC X 1 1/2 HHCS PL GR 8
12	1	9043956	3/8" NC X 3/4" BUTTON HD ALLEN SCR
13	1	9047057	DIE SPRING MHP 42
14	1	9052013	1" BALL CHROME
15	1	850020001	CROSSBAR PIVOT PIN
16	1	890360500	CROSSBAR WELDMENT
17	1	890400000	WHEEL GRID WELDMENT LH
18	1	890407000	WHEEL GRID WELDMENT RH
--	--	880411600	FRONT STOP PIN ASSEMBLY (CROSSBAR)
19	2	0400559	3/16" X 1" ROLL PIN ZP
20	2	9032158	RUBBER HAND GRIP- 0020-055
21	2	880411500	STOP PIN W. REPL. BY 880411600
--	--	0909120	892 SHIP KIT
22	1	8500900	RH WHEEL RETAINER WELDMENT
23	1	8501000	LH WHEEL RETAINER WELDMENT

# Section II - PARTS (cont'd)

## 881 BOOM & WINCH HYDRAULICS



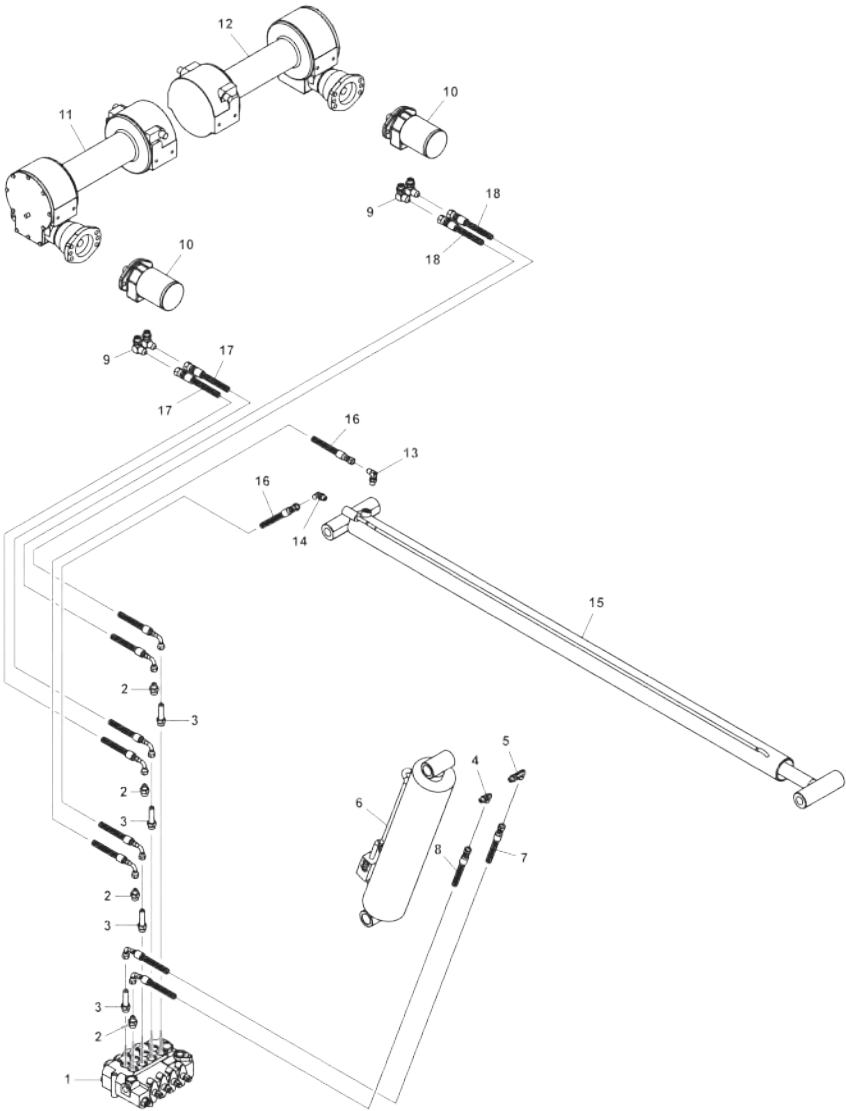
## Section II - PARTS (cont'd)

### 881 BOOM & WINCH HYDRAULICS

REF. NO.	NO. REQ'D	PART NUMBER	DESCRIPTION
--	--	0909113	3-SPOOL VALVE PLATE ASSEMBLY - 880
1	1	0300010	VALVE, 3 SPOOL CONTROL
2	3	0300044	FITTING, HYD CONNECTOR 6MJ-8MB
3	3	0310289	FITTING, LONG ADAPTER 6MJ-8MBLL
--	--	0909102	SUBFRAME ASSEMBLY - 880
4	1	0301620	FITTING, HYD 6MJ-6MB90
5	1	0307460	FITTING, HYD 6MJ-6MB90LL
6	1	0310137	CYLINDER - BOOM LIFT
7	1	0310237	HOSE ASSEMBLY, 28"
8	1	0310238	HOSE ASSEMBLY, 25"
--	--	0908392	8K SINGLE WINCH BUCKET ASSEMBLY
9	2	0302508	FITTING, ELBOW 8MJ-8MB90
10	1	0307097	MOTOR, HYD PARKER 4 CU IN
11	1	0307579	WINCH - LEFT
--	--	0910277	BOOM ASSEMBLY - 880/400
12	1	0301620	FITTING, HYD 6MJ-6MB90
13	1	0302509	FITTING, ELB 45 DEG
14	1	0310488	CYL, HYD MAIN BOOM EXT
--	--	0909177	UNDERLIFT ASSEMBLY - 880
15	2	0310244	HOSE ASSEMBLY, 66"
--	--	0910177	BASIC UNIT ASSEMBLY - 881
16	2	0310239	HOSE ASSEMBLY, 40"

# Section II - PARTS (cont'd)

## 882 BOOM & WINCH HYDRAULICS



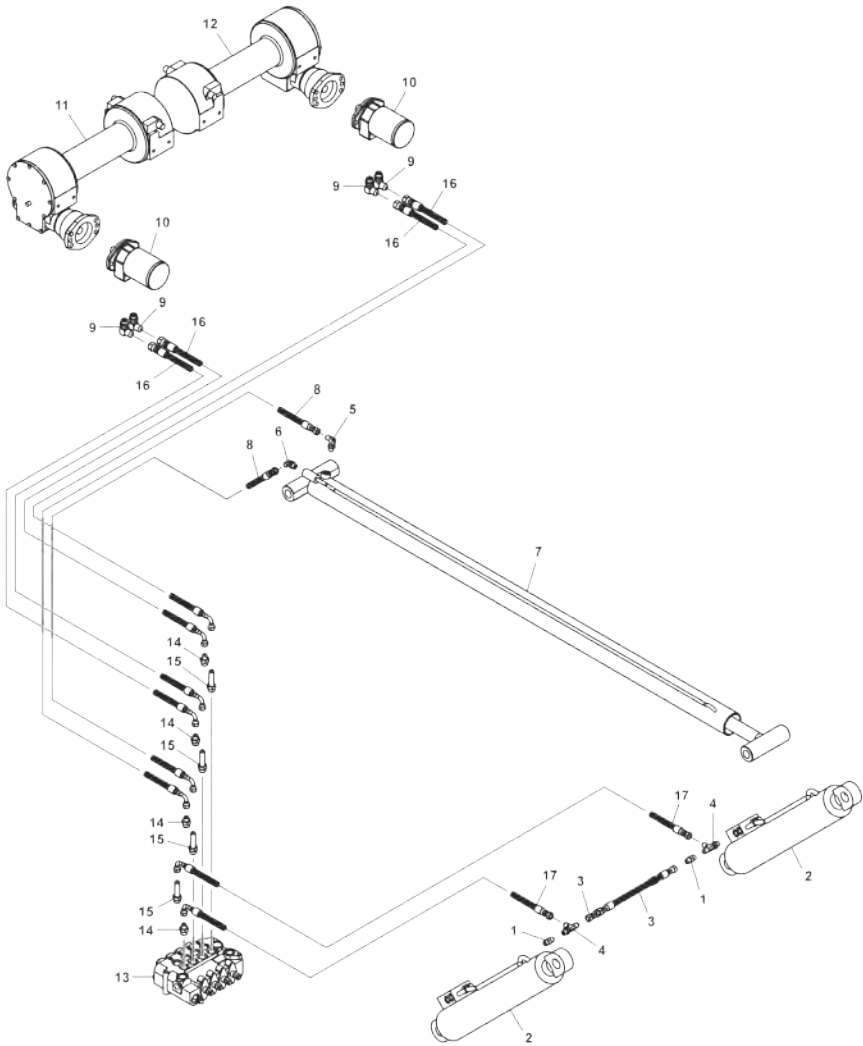
## Section II - PARTS (cont'd)

### 882 BOOM & WINCH HYDRAULICS

REF. NO.	NO. REQ'D	PART NUMBER	DESCRIPTION
--	--	0909112	4-SPOOL VALVE PLATE ASSEMBLY - 880
1	1	0300011	VALVE, 4 SPOOL CTRL
2	4	0300044	FITT, HYD CONN. 6MJ-8MB
3	4	0310289	FITTING-LONG ADAPTER 6MJ-8MBLL
--	--	0909102	SUBFRAME ASSEMBLY - 880
4	3	0301620	FITTING, HYD. 6MJ-6MB90
5	1	0307460	FITTING, HYD. 6MJ-6MB90LL
6	1	0310137	CYLINDER - BOOM LIFT
7	1	0310237	HOSE ASSEMBLY, 22"
8	3	0310238	HOSE ASSEMBLY, 25"
--	--	0908391	8K DUAL WINCH BUCKET ASSEMBLY
9	4	0301388	FITTING, 90ELL, 8MJ-8MB90
10	2	0307097	MOTOR, HYD PARKER -4 CU. IN.
11	1	0307579	WINCH - LEFT
12	1	0307580	WINCH - RIGHT
--	--	0910277	BOOM ASSEMBLY - 880/400
13	1	0301620	FITTING, HYD. 6MJ-6MB90
14	1	0302509	FITTING, ELB 45 DEG
15	1	0310488	CYL, HYD - MAIN BOOM EXT.
16	2	0310242	HOSE ASSEMBLY, 38"
--	--	0909099	BASIC UNIT ASSEMBLY - 882
17	2	0302584	HOSE HYD, 50"
18	2	0310239	HOSE ASSEMBLY, 40"

# Section II - PARTS (cont'd)

## 892 BOOM & WINCH HYDRAULICS





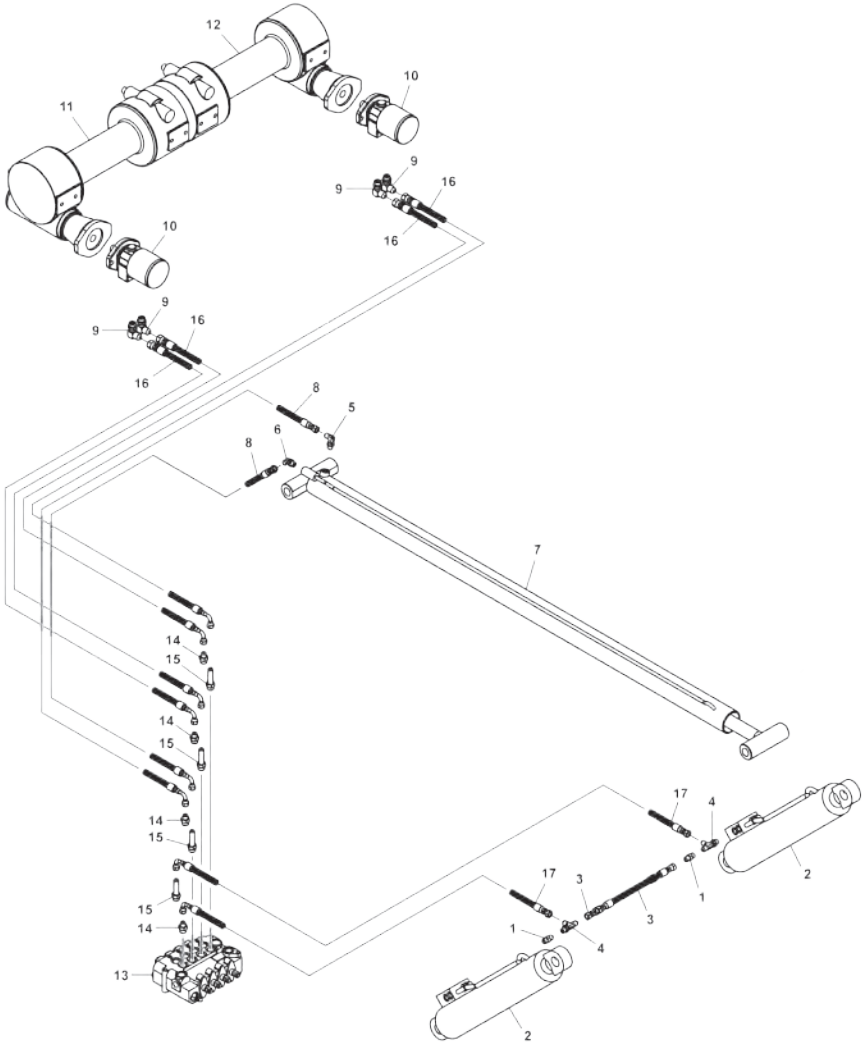
## Section II - PARTS (cont'd)

### 892 BOOM & WINCH HYDRAULICS

REF. NO.	NO. REQ'D	PART NUMBER	DESCRIPTION
--	--	0909116	SUBFRAME ASSEMBLY - 890
1	2	0301522	FITTING, CONNECTOR 6MJ-6MB
2	2	0307576	CYLINDER, LIFT 3.50 X 17.75
3	2	0310238	HOSE ASSEMBLY, 25"
4	2	9012594	FITTING, HYD RUN TEE, 6MJ-6MB-6MJ
--	--	0910278	BOOM ASSEMBLY - 890/602
5	1	0301620	FITTING, HYD 6MJ-6MB90
6	1	0302509	FITTING, ELBOW 45 DEG
7	1	0310488	CYL, HYD MAIN BOOM EXTEND
8	2	0310242	HOSE ASSEMBLY, 38"
--	--	0908391	8K DUAL WINCH BUCKET ASSEMBLY
9	4	0301388	FITTING, 90 ELL, 8MJ-8MB90
10	4	0302584	HOSE HYD, 50"
11	2	0307097	MOTOR, HYD PARKER 4 CU IN
12	1	0307579	WINCH LEFT
13	1	0307580	WINCH RIGHT
--	--	0909112	4-SPOOL VALVE PLATE ASSEMBLY - 880
14	1	0300011	VALVE, 4 SPOOL CONTROL
15	4	0300044	FITTING, HYD CONNECTOR 6MJ-8MB
16	4	0310289	FITTING, LONG ADAPTER 6MJ-8MBLL
--	--	0909118	BASIC UNIT ASSEMBLY - 892
17	2	0310239	HOSE ASSEMBLY, 40"

# Section II - PARTS (cont'd)

## 894 BOOM & WINCH HYDRAULICS



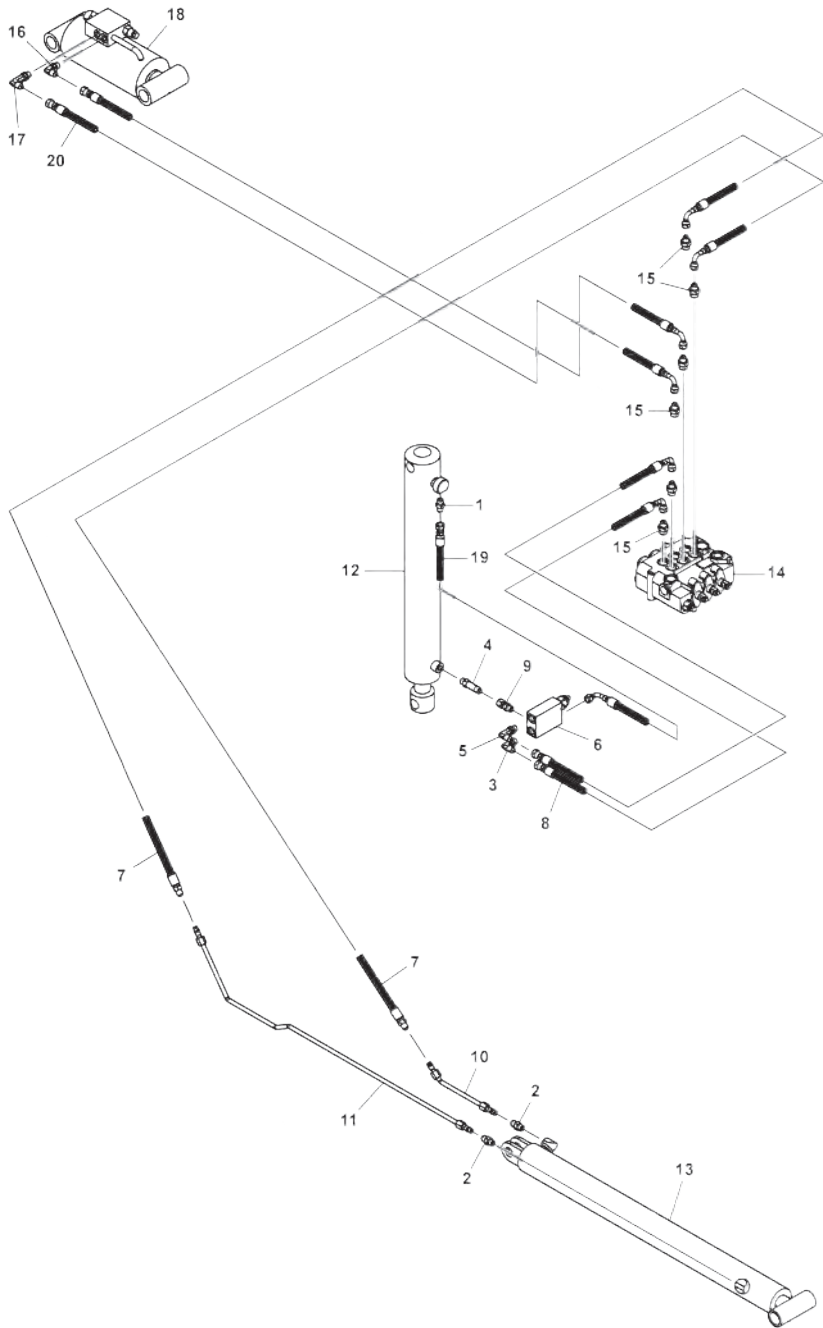
## Section II - PARTS (cont'd)

### 894 BOOM & WINCH HYDRAULICS

REF. NO.	NO. REQ'D	PART NUMBER	DESCRIPTION
--	--	0909116	SUBFRAME ASSEMBLY - 890
1	2	0301522	FITTING, CONNECTOR 6MJ-6MB
2	2	0307576	CYLINDER, LIFT 3.50 X 17.75
3	2	0310238	HOSE ASSEMBLY, 25"
4	2	9012594	FITTING, HYD RUN TEE, 6MJ-6MB-6MJ
--	--	0910278	BOOM ASSEMBLY - 890/602
5	1	0301620	FITTING, HYD 6MJ-6MB90
6	1	0302509	FITTING, ELBOW 45 DEG
7	1	0310488	CYL, HYD MAIN BOOM EXTEND
8	2	0310242	HOSE ASSEMBLY, 38"
--	--	0908716	10K DUAL WINCH BUCKET ASSEMBLY
9	4	0301388	FITTING, 90ELL, 8MJ-8MB90
10	2	0307101	MOTOR, HYD PARKER
11	1	9048160	5 TON RAMSEY WINCH (RH)
12	1	9048161	5 TON RAMSEY WINCH (LH)
--	--	0909112	4-SPOOL VALVE PLATE ASSEMBLY - 880
13	1	0300011	VALVE, 4 SPOOL CONTROL
14	4	0300044	FITTING, HYD CONNECTOR 6MJ-8MB
15	4	0310289	FITTING, LONG ADAPTER 6MJ-8MBLL
--	--	0909119	BASIC UNIT ASSEMBLY - 894
16	4	0302584	HOSE HYD, 50"
17	2	0310239	HOSE ASSEMBLY, 40"

# Section II - PARTS (cont'd)

## 880/890 WHEEL LIFT HYDRAULICS



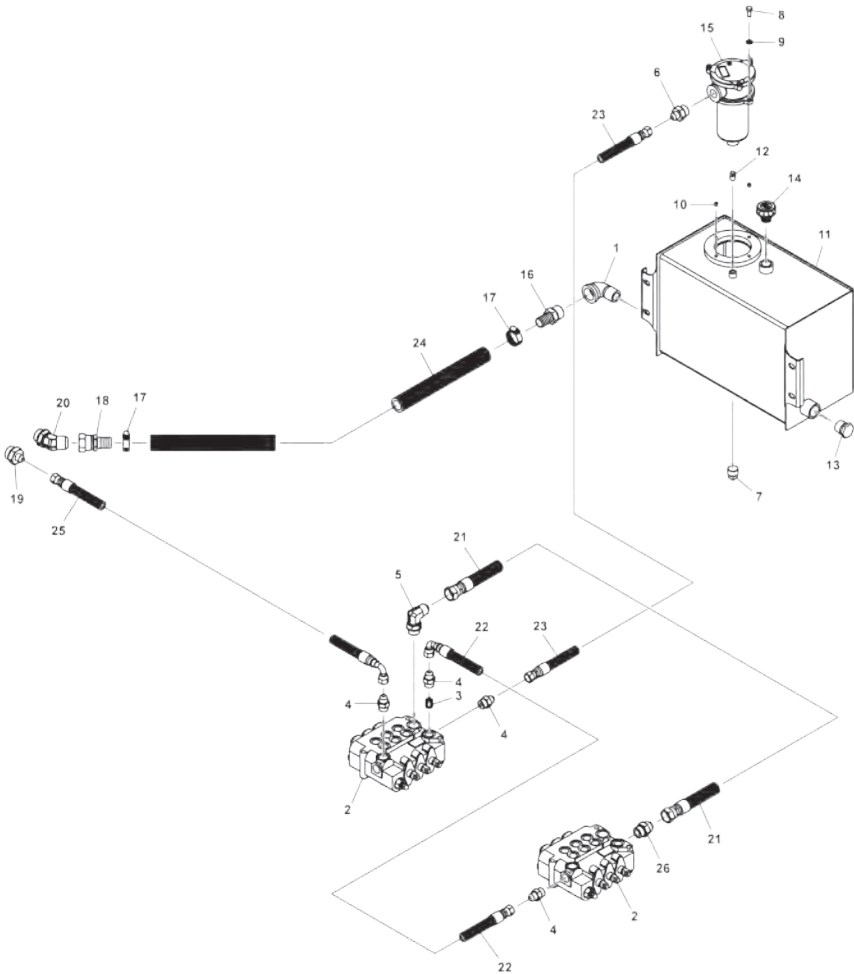
## Section II - PARTS (cont'd)

### 880/890 WHEEL LIFT HYDRAULICS

REF. NO.	NO. REQ'D	PART NUMBER	DESCRIPTION
--	--	0909177	UNDERLIFT ASSEMBLY - 880
1	2	0300132	CABLE TIE T120R BLK 15 1/4" (NOT SHOWN)
2	4	0301522	FITTING, CONNECTOR 6MJ-6MB
3	1	0301620	FITTING, CONNECTOR 6MJ-6MB90
4	1	0302510	FITTING, CONNECTOR 6MJ-6MBL
5	1	0303761	FITTING, CONNECTOR ELBOW 6MJ-6MB90L
6	1	0306898	COUNTERBALANCE VALVE - STERLING
7	2	0310244	HOSE ASSEMBLY, 66"
8	1	0310247	HOSE ASSEMBLY, 41"
9	1	9011696	9/16" SAE X 9/16" JIC FEM ST
10	1	880010025	3/8" X 21/32" J524
11	1	880010026	3/8" X 21/32" J524
12	1	880650000	STINGER LIFT CYLINDER 600-3128
13	1	880730000	STINGER EXTEND CYLINDER 600-3127
--	--	0909114	VALVE, 3-SPOOL PLATE - 880 U/L
14	1	0300010	VALVE, 3-SPOOL CONTROL
15	6	0300044	FITTING, CONNECTOR 6MJ-8MB
--	--	0909102	SUBFRAME ASSEMBLY - 880
16	3	0301620	FITTING, CONNECTOR 6MJ-6MB90
17	1	0307460	FITTING, CONNECTOR 6MJ-6MB90LL
18	1	0307638	CYLINDER, TILT (4.00 X 12.31)
19	3	0310238	HOSE ASSEMBLY, 25"
20	2	0310243	HOSE ASSEMBLY, 68"

# Section II - PARTS (cont'd)

## 881 PUMP, VALVE & FILTER HYDRAULICS



## Section II - PARTS (cont'd)

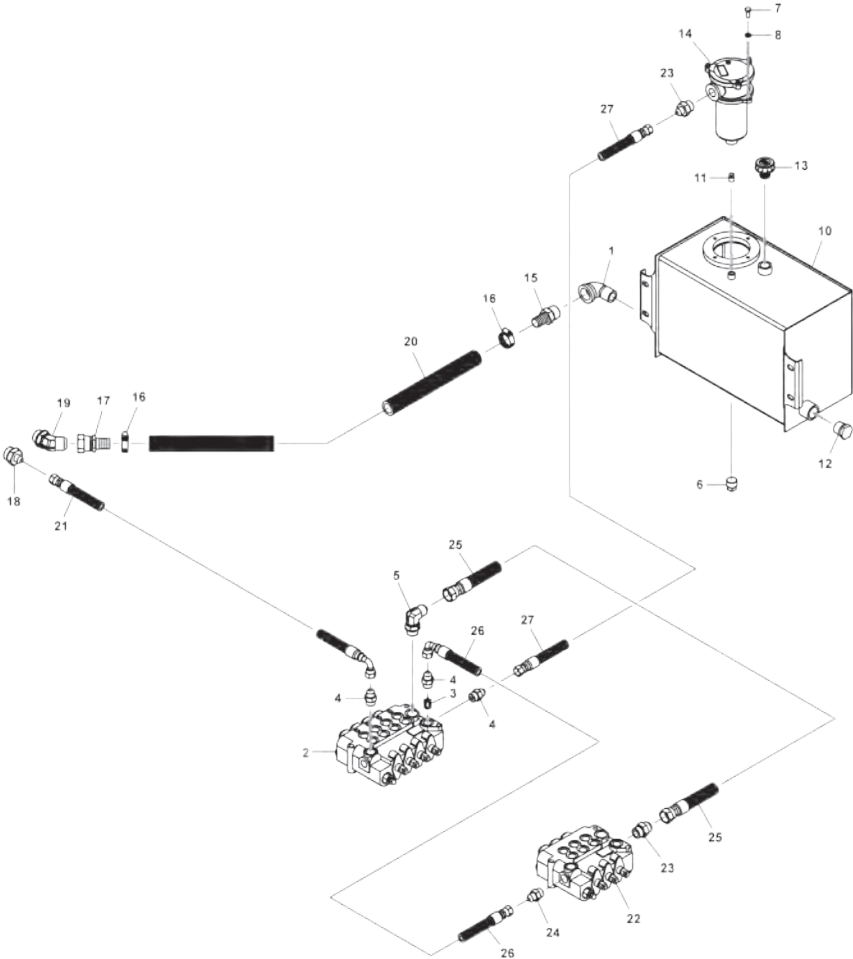
### 881 PUMP, VALVE & FILTER HYDRAULICS

REF. NO.	NO. REQ'D	PART NUMBER	DESCRIPTION
1	1	0300692	FITTING, 1 90 DEG STREET
--	--	0909113	3-SPOOL VALVE PLATE ASSEMBLY - 880
2	2	0300010	VALVE, 3 SPOOL CONTROL
3	1	0300286	FITTING, HP CARRY-OVER
4	4	0301376	CONNECTOR 8MJ-10MB
5	1	0301545	FITTING, ELBOW 12MJ-12MB90
6	1	0301780	FITTING, CONNECTOR 8MJ-12MB
--	--	0910008	HYDRAULIC TANK ASSEMBLY - CONVENTION
7	1	0303155	PIPE PLUG 3/4" NPT MAGNETIC
8	2	0400118	5/16"-18 X 3/4" HHCS GR5 ZP
9	2	0400464	5/16" HELICAL LOCKWASHER ZP
10	2	0400748	5/16"-18 X 1/4" SET SCREW ALLEN HD
11	1	0807297	HYDRAULIC TANK WELDMENT
12	1	9011011	1/4" SQUARE HEAD PIPE PLUG
13	1	9012839	1" PIPE PLUG
14	1	9018131	BREATHER CAP 3/4"
15	1	9018399	IMMERSION FILTER ASSEMBLY
--	--	0909165	KIT PUMP/PTO HARDWARE
16	1	0300056	FITTING, BARB 16C4-16MP
17	2	0300071	CLAMP, HOSE 1" IDEAL
18	1	0301767	FITTING, HOSE BARB 1FJIX
19	1	0302757	FITTING, CONNECTOR 8MJ-16MB
20	1	0302761	FITTING, HYD ELBOW 16MJ-16MB45
--	--	0909102	SUBFRAME ASSEMBLY - 880
21	1	0301893	HOSE HYD, 84"
22	1	0310245	HOSE ASSEMBLY, 84"
23	1	0310246	HOSE ASSEMBLY, 24"
--	--	0909166	KIT BOX, VULCAN CONVENTIONAL
24	1	0702540	HOSE, SUCTION 12FT (1" ID)
25	1	880010023	8AT2 HOSE (8FJX-8FJX90S) 103"
--	--	0909114	VALVE, 3-SPOOL PLATE - 880 U/L
26	1	0300400	ADAPTER, 12MJ-12MB

# Section II - PARTS (cont'd)

## 882, 892 & 894

### PUMP, VALVE & FILTER HYDRAULICS





## Section II - PARTS (cont'd)

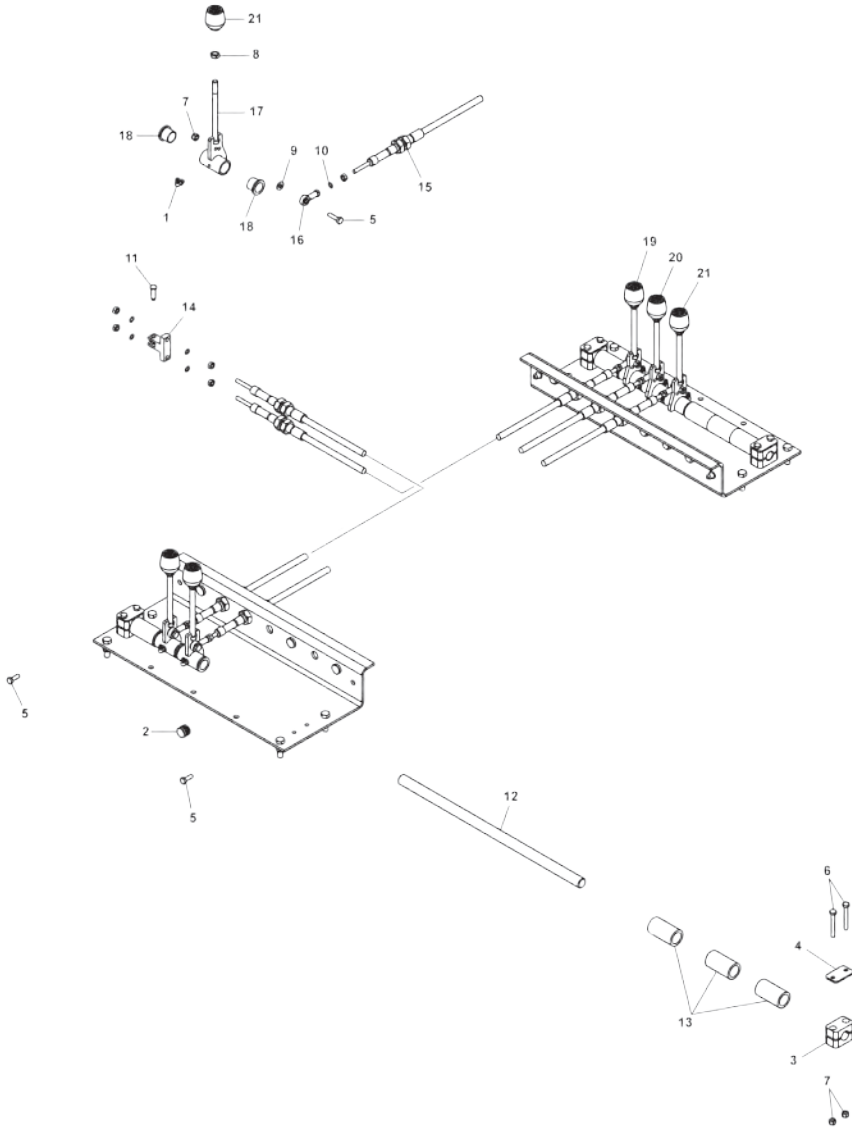
882, 892 & 894

### PUMP, VALVE & FILTER HYDRAULICS

REF. NO.	NO. REQ'D	PART NUMBER	DESCRIPTION
1	1	0300692	FITTING, 1" 90 DEG STREET
--	--	0909112	4-SPOOL VALVE PLATE ASSEMBLY - 880
2	2	0300011	VALVE, 4 SPOOL CONTROL
3	1	0300286	FITTING, HP CARRY-OVER
4	4	0301376	FITTING, CONNECTOR 8MJ-10MB
5	1	0301545	FITTING, ELBOW 12MJ-12MB90
--	--	0910008	HYDRAULIC TANK ASSEMBLY - CONVENTION
6	1	0303155	PIPE PLUG 3/4" NPT MAGNETIC
7	2	0400118	5/16"-18 X 3/4" HHCS GR5 ZP
8	2	0400464	5/16" HELICAL LOCKWASHER ZP
9	2	0400748	5/16"-18 X 1/4" SET SCREW ALLEN HD
10	1	0807297	HYDRAULIC TANK WELDMENT
11	1	9011011	1/4" SQUARE HEAD PIPE PLUG
12	1	9012839	1" PIPE PLUG
13	1	9018131	BREATHER CAP 3/4"
14	1	9018399	IMMERSION FILTER ASSEMBLY
--	--	0909165	KIT PUMP/PTO HARDWARE
15	1	0300056	FITTING, BARB 16C4-16MP
16	2	0300071	CLAMP, HOSE 1" IDEAL
17	1	0301767	FITTING, HOSE BARB 1" FJIX
18	1	0302757	FITTING, CONNECTOR 8MJ-16MB
19	1	0302761	FITTING, HYD ELBOW 16MJ-16MB45
--	--	0909166	KIT BOX, VULCAN CONVENTIONAL
20	1	0702540	HOSE, SUCTION 12FT (1" ID)
21	1	880010023	8AT2 HOSE (8FJX-8FJX90S) 103"
--	--	0909114	VALVE, 3-SPOOL PLATE - 880 U/L
22	--	0300010	VALVE, 3 SPOOL CONTROL
23	1	0300400	FITTING, CONNECTOR 12MJ-12MB
24	4	0301376	FITTING, CONNECTOR 8MJ-10MB
--	--	0909102	SUBFRAME ASSEMBLY - 880
25	1	0301893	HOSE HYD, 84"
26	1	0310245	HOSE ASSEMBLY, 84"
27	1	0310246	HOSE ASSEMBLY, 24"

# Section II - PARTS (cont'd)

## 881 BOOM & WINCH CONTROLS



## Section II - PARTS (cont'd)

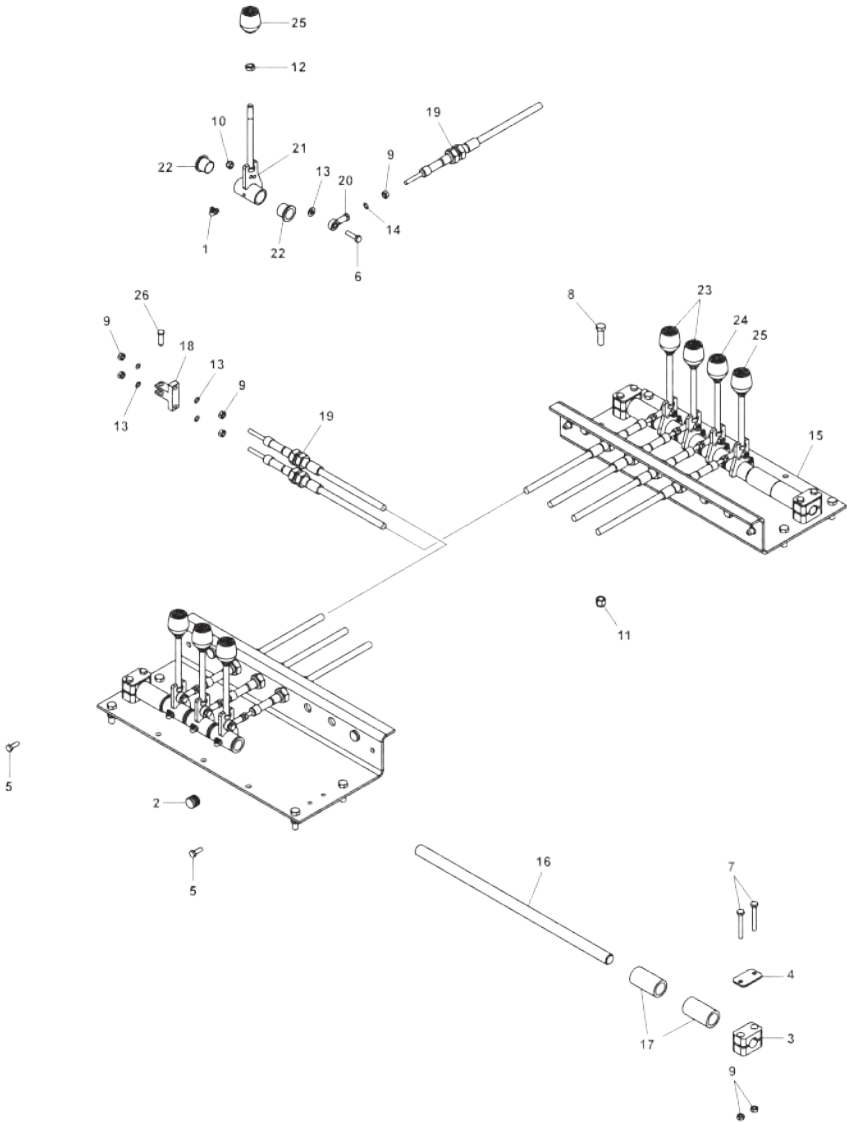
### 881 BOOM & WINCH CONTROLS

REF. NO.	NO. REQ'D	PART NUMBER	DESCRIPTION
--	--	0909115	3-HANDLE DUAL CONTROL ASSEMBLY 880
1	6	0301397	GREASE FITTING, 1/4"-28 X 90 DEG
2	8	0307772	PLUG 3/4" ALLIANCE RDR 111036
3	8	0307823	CLAMP CUSHION
4	4	0307824	PLATE COVER
5	6	0400070	1/4"-20 X 1" HHCS GR5 ZP
6	8	0400078	1/4"-20 X 2" HHCS GR5 ZP
7	14	0400367	1/4"-20 NYLOK HEX NUT ZP
8	6	0400393	3/8"-16 HEX NUT JAM ZP
9	6	0400451	1/4" FLAT WASHER ZP
10	12	0400458	1/4" STAR LOCKWASHER ZP
11	3	0400527	CLEVIS PIN, 5/16" X 1" X 5/8" GRIP
12	2	0718259	ROD CONTROL HANDLE PIVOT
13	8	0718535	SPACER
14	6	3014-791012	CLEVIS DUAL CONTROL CABLE
15	6	518-0108400	CONTROL CABLE
16	6	HD0900	BEARING ROD END 1/4"- 28
--	--	0908406	HANDLE ASSEMBLY
17	1	0806852	CONTROL HANDLE WELDMENT
18	2	9053524	BEARING BRONZE FLANGE 3/4" X 7/8" X 3/4"
--	--	0909164	CONVENTION KNOB KIT SING WINCH
19	2	0300834	KNOB RED CTRL (IN-OUT)
20	2	0300835	KNOB BOOM (UP-DOWN)
21	2	0300837	KNOB BOOM (IN-OUT)

# Section II - PARTS (cont'd)

## 882, 892 & 894

### BOOM & WINCH CONTROLS

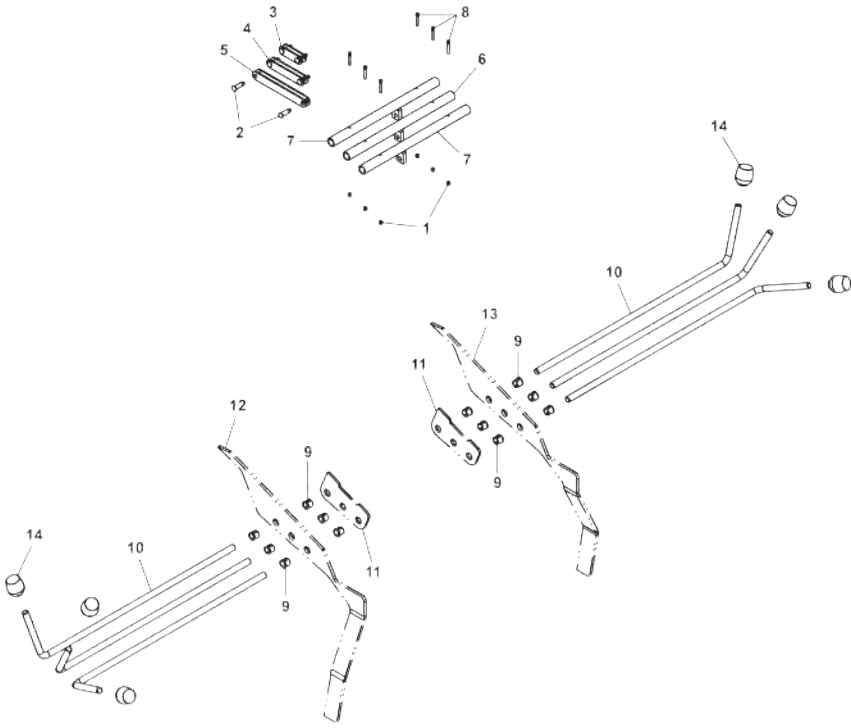


**Section II - PARTS (cont'd)**  
**882, 892 & 894**  
**BOOM & WINCH CONTROLS**

REF. NO.	NO. REQ'D	PART NUMBER	DESCRIPTION
--	--	0909179	4-HANDLE DUAL CONTROL ASSEMBLY 880
1	6	0301397	GREASE FITTING, 1/4"-28 X 90 DEG
2	8	0307772	PLUG 3/4" ALLIANCE RDR 111037
3	4	0307823	CLAMP CUSHION
4	12	0307824	PLATE COVER
5	8	0400066	1/4"-20 X 3/4" HHCS
6	4	0400070	1/4"-20 X 1" HHCS GR5 ZP
7	8	0400078	1/4"-20 X 2" HHCS GR5 ZP
8	8	0400122	3/8"-16 X 1-1/4" HHCS GR5
9	20	0400365	1/4"-28 HEX NUT ZP
10	4	0400367	1/4"-20 NYLOK HEX NUT ZP
11	4	0400392	3/8"-16 NYLOK HEX NUT ZP
12	8	0400393	3/8"-16 HEX NUT JAM ZP
13	8	0400451	1/4" FLAT WASHER ZP
14	48	0400458	1/4" STAR LOCKWASHER ZP
15	2	0718257	PLATE - CONTROL HANDLE MTG
16	2	0718259	ROD CONTROL HANDLE PIVOT
17	6	0718535	SPACER
18	4	3014-791012	CLEVIS DUAL CONTROL CABLE
19	8	518-0108400	CONTROL CABLE 7' LENGTH 1" STROKE
20	6	HD0900	BEARING ROD END 1/4"- 28
--	--	0908406	HANDLE ASSEMBLY
21	1	0806852	CONTROL HANDLE WELDMENT
22	2	9053524	BEARING BRONZE FLANGE 3/4" X 7/8" X 3/4"
--	--	0908912	CONVENTION KNOB KIT SING WINCH
23	4	0300834	KNOB RED CTRL (IN-OUT)
24	2	0300835	KNOB BOOM (UP-DOWN)
25	2	0300837	KNOB BOOM (IN-OUT)
--	--	0909102	SUBFRAME ASSEMBLY - 880
26	6	0400527	CLEVIS PIN, 5/16" X 1" X 5/8" GRIP

# Section II - PARTS (cont'd)

## 880/890 WHEEL LIFT CONTROLS



## Section II - PARTS (cont'd)

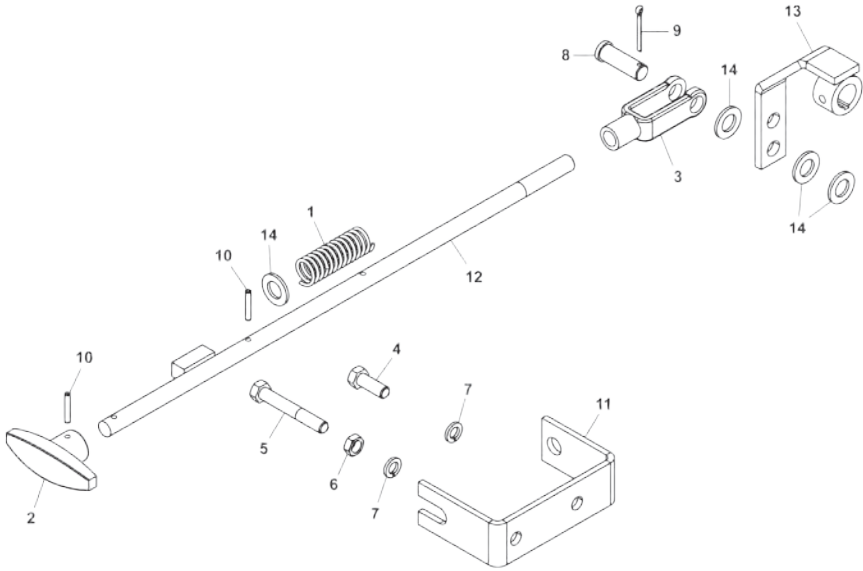
### 880/890 WHEEL LIFT CONTROLS

REF. NO.	NO. REQ'D	PART NUMBER	DESCRIPTION
--	--	0909102	SUBFRAME ASSEMBLY - 880
1	6	0400352	8/32" NYLOK NUT
2	6	0400527	CLEVIS PIN, 5/16" X 1" X 5/8" GRIP
3	2	0719673	PLATE, VALVE LINK 1.75"
4	2	0719674	PLATE, VALVE LINK 3.38"
5	2	0719675	PLATE, VALVE LINK 5.25"
6	1	0807228	REAR CONTROL ROD WELDMENT
7	2	0807229	REAR CONTROL ROD WELDMENT
8	6	9043419	8/32" X 1" LG SOCKET HD CAP
9	12	9053715	NYLON BUSH CORD SSB-625
10	6	880470001	CONTROL ROD
--	--	0807174	880 SUBFRAME, NEW CONVENTIONAL (SHOWN FOR REFERENCE ONLY)
11	2	0719503	PLATE-GUIDE REAR CONTROL RODS
12	1	0721682	PLATE, LH TAILBOARD SIDE VULCAN
13	1	0721683	PLATE, RH TAILBOARD SIDE VULCAN
--	--	0909164	CONVENTIONAL KNOB KIT SINGLE WINCH
14	6	9032154	PUSH ON KNOB NORTEL 1033A 1/2
--	--	8800010	880 DECAL KIT (NOT SHOWN)
15	2	9033153	CONTROL KNOB DECAL STINGER
16	2	9033154	CONTROL KNOB DECAL STINGER IN
17	2	9033155	CONTROL KNOB DECAL STINGER UP

# Section II - PARTS (cont'd)

## 881, 882 & 892

### WINCH FREESPOOL ASSEMBLY

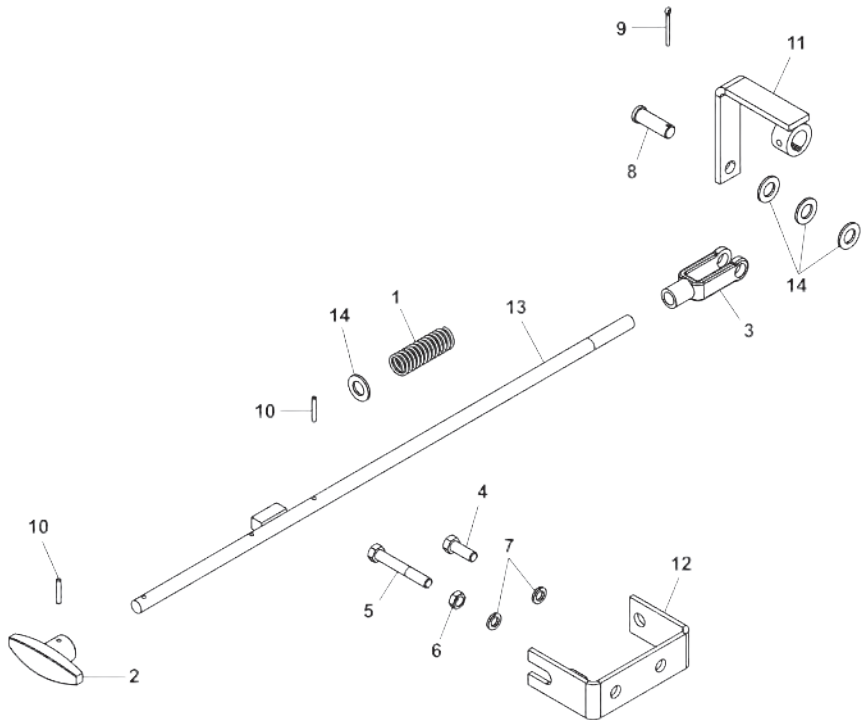


REF. NO.	NO. REQ'D	PART NUMBER	DESCRIPTION
--	--	0908627	WINCH FREESPOOL ASSEMBLY - MODULAR
1	1	0300845	SPRING CLUTCH T5-68-79-1
2	1	0301532	T HANDLE
3	1	0301588	ADJUSTABLE YOKE
4	1	0400126	3/8"-16 X 1" HHCS GR5 ZP
5	1	0400150	3/8"-16 X 2 1/2" HHCS GR5 ZP
6	1	0400393	3/8"-16 HEX NUT JAM ZP
7	2	0400482	3/8" HELICAL LOCKWASHER ZP
8	1	0400537	1/2" X 1 1/2" CLEVIS PIN ZP
9	1	0400546	1/8" X 1 1/4" COTTER PIN
10	2	0400560	5/32" X 1" ROLL PIN ZP
11	1	0702408	CHANNEL, MOUNTING
12	1	0800781	ROD CONTROL DUAL
13	1	0806995	BELL CRANK WELDMENT
14	4	DE1381	1/2" WASHER SAE 17/32" ID



## Section II - PARTS (cont'd)

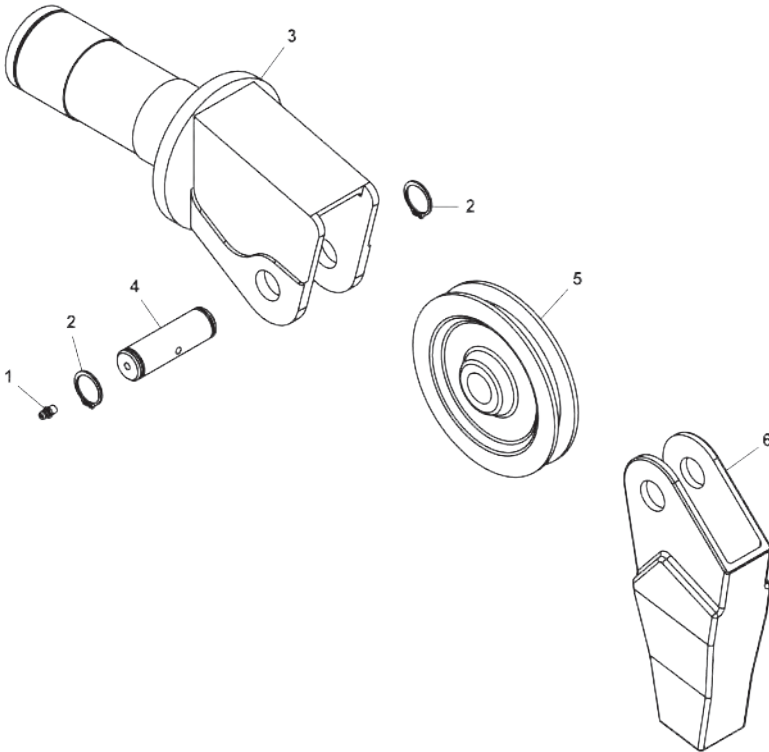
### 894 WINCH FREESPOOL ASSEMBLY



REF. NO.	NO. REQ'D	PART NUMBER	DESCRIPTION
--	--	0906031	WINCH FREESPOOL (DUAL) 894
1	2	0300845	SPRING-CLUTCH T5-68-79-1
2	2	0301532	T HANDLE
3	2	0301588	ADJUSTABLE YOKE
4	2	0400126	3/8"-16 X 1" HHCS GR5 ZP
5	2	0400150	3/8"-16 X 2 1/2" HHCS GR5 ZP
6	2	0400393	3/8"-16 HEX NUT JAM ZP
7	4	0400482	3/8" HELICAL LOCKWASHER ZP
8	2	0400537	1/2" X 1 1/2" CLEVIS PIN ZP
9	2	0400546	1/8 X 1 1/4" COTTER PIN
10	4	0400560	5/32" X 1" ROLL PIN ZP
11	2	0801670	BELL CRANK WINCH CONTROL
12	2	0801671	CHANNEL MOUNTING WINCH
13	2	0801672	ROD WINCH CONTROL
14	8	DE1381	1/2" WASHER SAE 17/32" ID

## Section II - PARTS (cont'd)

### 880/890 BOOM SWIVEL ASSEMBLY



REF. NO.	NO. REQ'D	PART NUMBER	DESCRIPTION
--	--	805180000	SHEAVE HOUSING ASSEMBLY
1	1	0300113	GREASE FITTING, 1/4"-28 STRAIGHT
2	2	9056098	RET RING, EXT 1" NOM HVY DUTY
3	1	804181500	SHEAVE HOUSING CASTING
4	1	805180001	SHEAVE SHAFT
5	1	805180002	SHEAVE CASTING (WAS 9050504)
6	1	852060100	CABLE GUIDE - CASTING

## Section II - PARTS (cont'd)

### 880/890 SHIP KITS

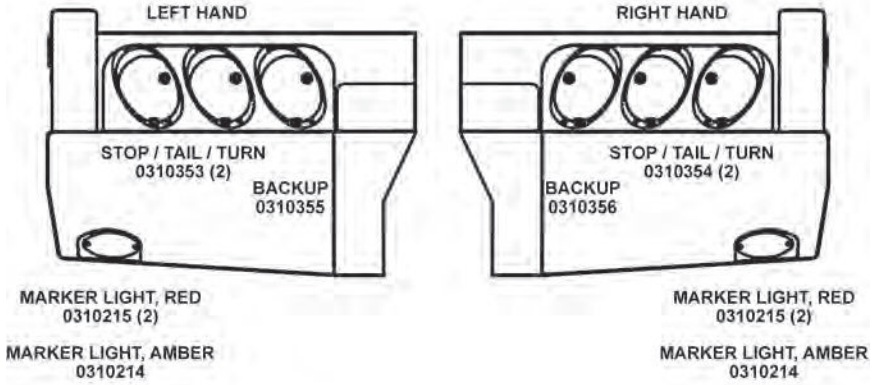
REF. NO.	NO. REQ'D	PART NUMBER	DESCRIPTION
--	--	0909098	881 SHIP KIT
	1	0303051	WIRE ROPE 3/8x6x19 IPS 100'-5"
	2	0501653	DECAL, CONTROL HANDLE GREASE
	2	0721517	PLATE, CONTROL COVER
	1	0909164	CONVENTION KNOB KIT SING WINCH
	1	0909166	KIT BOX, VULCAN CONVENTIONAL
	1	8700180	RH WHEEL RETAINER WELD'T
	1	8700190	LH WHEEL RETAINER WELD'T
	1	9120300	880/890 W.S. WARRANTY PA
	1	124001567	CABLE TENSIONER, RAMSEY WINCH
	2	891000001	MUD FLAP-RUBBER -EACH
--	--	0909100	SHIP KIT - 882
	2	0303051	WIRE ROPE 3/8x6x19 IPS 100'-5"
	2	0501653	DECAL, CONTROL HANDLE GREASE
	2	0721517	PLATE, CONTROL COVER
	1	0908912	CONVENTION KNOB KIT DUAL WINCH
	1	0909166	KIT BOX, VULCAN CONVENTIONAL
	1	8700180	RH WHEEL RETAINER WELD'T
	1	8700190	LH WHEEL RETAINER WELD'T
	1	9120300	880/890 W.S. WARRANTY PA
	2	124001567	CABLE TENSIONER, RAMSEY WINCH
	2	891000001	MUD FLAP-RUBBER -EACH
--	1	0909120	892 SHIP KIT
	2	0200018	FORK-SHORT, 3in OPNG
	2	0303051	WIRE ROPE 3/8x6x19 IPS 100'-5"
	2	0501653	DECAL, CONTROL HANDLE GREASE
	2	0721517	PLATE, CONTROL COVER
	1	0908912	CONVENTION KNOB KIT DUAL WINCH
	1	0909166	KIT BOX, VULCAN CONVENTIONAL
	1	8500900	RH WHEEL RETAINER WELD'T
	1	8501000	LH WHEEL RETAINER WELD'T
	1	9120300	880/890 W.S. WARRANTY PA
	2	124001567	CABLE TENSIONER, RAMSEY WINCH
	2	850060100	FRAME FORK HOLDING BRK'T
	2	891000001	MUD FLAP-RUBBER -EACH

## Section II - PARTS (cont'd)

### 880/890 SHIP KITS (cont'd)

REF. NO.	NO. REQ'D	PART NUMBER	DESCRIPTION
--	--	0909121	894 SHIP KIT
	2	0200018	FORK-SHORT, 3in OPNG
	2	0302723	7/16"x150' CABLE/174007024 ALT
	2	0501653	DECAL, CONTROL HANDLE GREASE
	2	0721517	PLATE, CONTROL COVER
	1	0908912	CONVENTION KNOB KIT DUAL WINCH
	1	0909166	KIT BOX, VULCAN CONVENTIONAL
	1	8500900	RH WHEEL RETAINER WELD'T
	1	8501000	LH WHEEL RETAINER WELD'T
	1	9120300	880/890 W.S. WARRANTY PA
	2	124002074	CABLE TENSIONER (RAMSEY H400)
	2	850060100	FRAME FORK HOLDING BRK'T
	2	891000001	MUD FLAP-RUBBER -EACH

# Section III - SCHEMATICS LIGHTING



NOTE:  
HARNES PROVIDED IS A COMPLETELY SEALED SYSTEM. ANY OTHER FUNCTIONS  
MUST ORIGINATE FROM JUNCTION BOX. BREAKING OR CUTTING INTO PROVIDED  
HARNES COMPLETELY VOIDS WARRANTY!

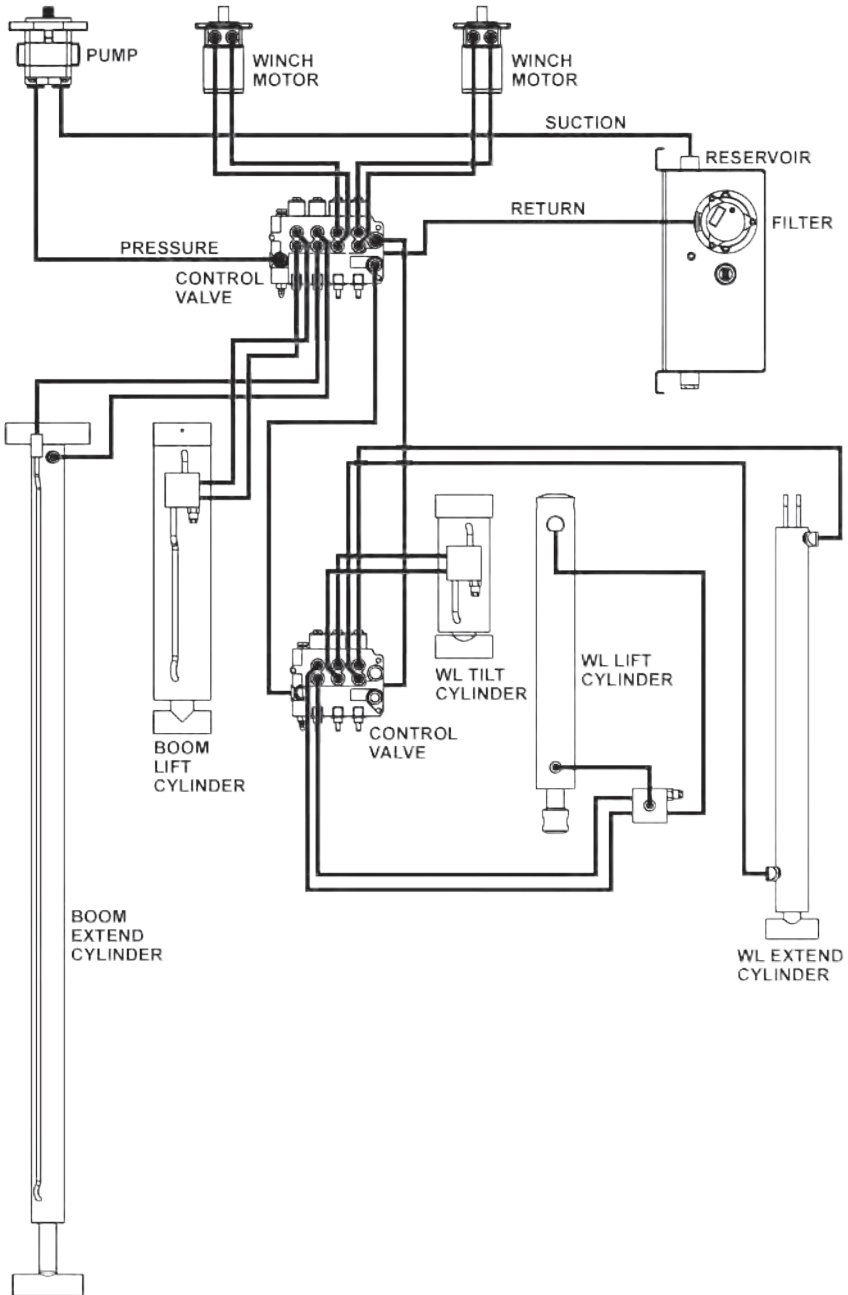
\* ALL GROUNDS ON HARNES ARE INTERNAL.





# Section III - SCHEMATICS (cont'd)

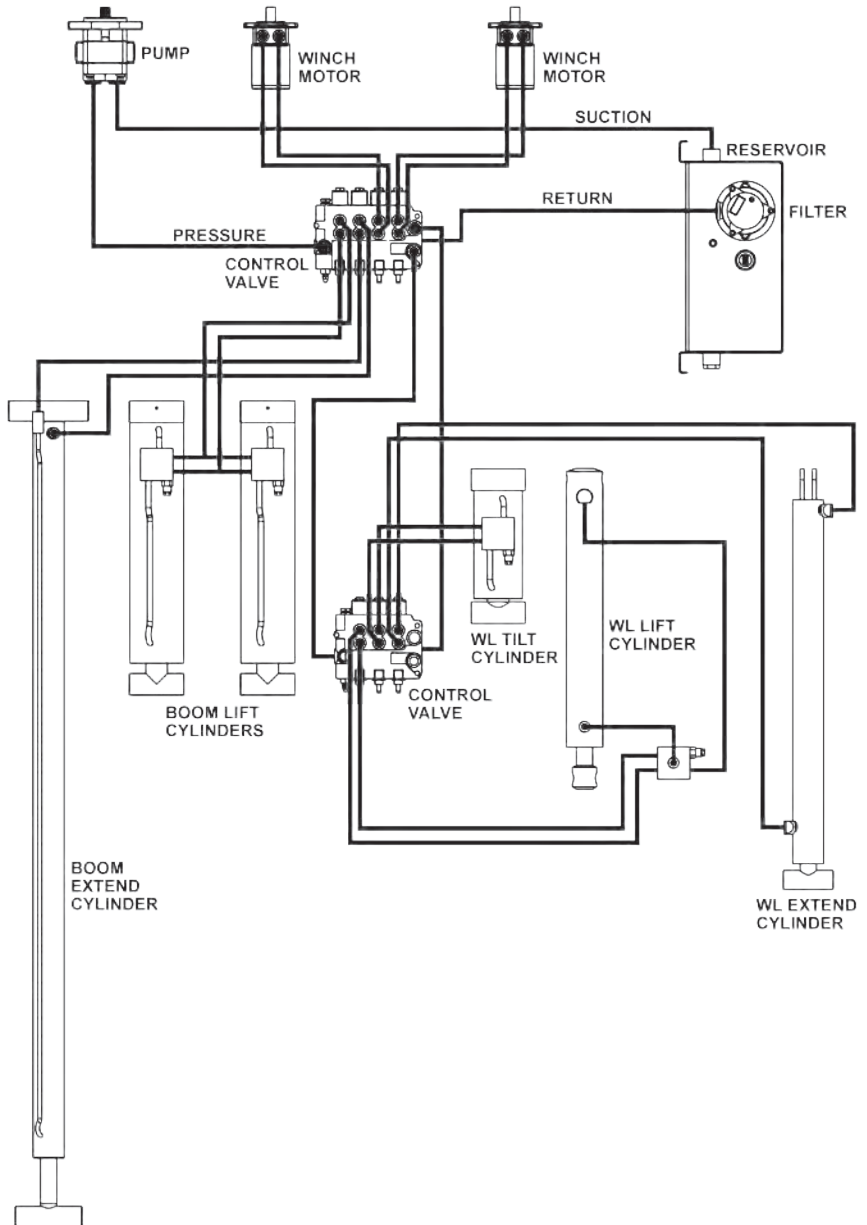
## 882 HYDRAULICS





# Section III - SCHEMATICS (cont'd)

## 892 & 894 HYDRAULICS









Miller Industries Towing Equipment Inc.

8503 Hilltop Drive • Ooltewah, Tennessee 37363 • (423) 238-7227

[www.millerind.com](http://www.millerind.com)