



OWNER'S MANUAL

806 MODULAR

PARTS

**NOTE: MANUAL including SPECIFICATIONS, subject to change without notice.
All ratings specified are based on structural factors only,
not vehicle capacities or capabilities.**



Miller Industries Towing Equipment Inc.
8503 Hilltop Drive
Ooltewah, Tennessee 37363
Phone (423) 238-4171 • FAX (423) 238-5371

FORM NO. 0501741
02 / 2010
PRICE \$25.00

LIMITED WARRANTY

MILLER INDUSTRIES TOWING EQUIPMENT INC., hereinafter referred to as MILLER, warrants to the original purchaser that each new MILLER wrecker or other MILLER products will be free from defects in material and workmanship for a period of twelve (12) months from date placed in service, but in no event shall such warranty period exceed twenty-four (24) months from date of manufacture by MILLER. The purchaser must promptly notify MILLER in writing of any failure in material or workmanship. In no event shall MILLER accept such notification later than twenty-four (24) months from date of delivery or twelve (12) months from date placed in service, whichever is earlier.

MILLER's obligation under this warranty, statutory or otherwise, is limited to the repair or replacement at the MILLER factory, or at a point designated by MILLER, of such part or parts as shall appear upon inspection by MILLER to be defective in material or workmanship. New or remanufactured parts will be used for any replacement at MILLER's option. This warranty is not transferable. This warranty does not obligate MILLER to bear the cost of labor or transportation charges in connection with the repair or replacement of any parts found to be defective, nor shall it apply to a product upon which repairs or alterations have been made unless authorized by MILLER.

EXCEPT AS EXPRESSLY SET FORTH IN THIS WARRANTY, MILLER MAKES NO OTHER WARRANTY, EXPRESS OR IMPLIED, AND HEREBY DISCLAIMS ALL OTHER WARRANTIES INCLUDING, BUT NOT LIMITED TO, THE IMPLIED WARRANTIES OF MERCHANTABILITY AND FITNESS FOR A PARTICULAR PURPOSE. MILLER shall in no event be liable for claimed downtime, claimed loss of profits or goodwill, or any other special, incidental, indirect, or consequential damages concerning or relating to any product or parts, whether based on negligence, strict liability, breach of contract, breach of warranty, misrepresentation or any other legal theory, regardless of whether the loss resulted from any general or particular requirement which MILLER knew or had reason to know about at the time of sale.

MILLER MAKES NO WARRANTY, EXPRESS OR IMPLIED, AS TO THE FINISHED PRODUCTS MANUFACTURED OR SUPPLIED BY ANOTHER MANUFACTURER AND SUPPLIED BY MILLER TO PURCHASER, including, but not limited to, any vehicle to which a MILLER product may be affixed or any accessories or wire rope, and MILLER EXPRESSLY DISCLAIMS ANY IMPLIED WARRANTIES OF MERCHANTABILITY OR FITNESS FOR A PARTICULAR PURPOSE AS TO SUCH EQUIPMENT OR PRODUCTS. This language shall in no way affect or diminish the rights of the purchaser to rely on such warranties as are extended by such manufacturers or suppliers. MILLER shall, to the extent permitted under applicable law, pass on to the purchaser such manufacturer's or seller's warranty.

MILLER, whose policy is one of continuous improvement, reserves the right to improve its products through changes in design or materials as it may deem desirable without being obligated to incorporate such changes in products previously sold. This warranty is not intended to cover or include the following items, which are set forth by way of example and not limitation:

- A. Normal deterioration of trim, paint, lettering, and appearance items due to wear or exposure to weather, road conditions, road treatments, etc.
- B. Any damage or defect due to accident, misuse, abuse, improper or unauthorized repairs, failure to provide reasonable and necessary maintenance, or uses for which the equipment was not designed or intended.
- C. Alterations or modifications that affect performance, operation or reliability.
- D. Normal maintenance parts including, but not limited to, wear pads, bushings, wire rope, mud flaps, fenderettes, light bulbs, hydraulic oil, filters, and tow sling belts.

IT IS EXPRESSLY UNDERSTOOD THAT MILLER MAKES NO IMPLIED WARRANTY THAT MILLER PRODUCTS SHALL BE FIT FOR THE PURPOSE OF LIFTING OR MOVING PEOPLE OR FOR ANY OTHER IMPROPER USE.



Miller Industries Towing Equipment Inc.
8503 Hilltop Drive
Ooltewah, Tennessee 37363
Telephone (423) 238-4171

SERIAL NUMBER

OWNER, USER AND OPERATOR:

We appreciate your choice of our towing and recovery unit for your application. Our number one priority is user safety which is best achieved by our joint efforts. We feel that you can make a major contribution to safety if you, as the equipment owner and operator:

- 1. Comply with Federal, State, and Local Regulations.**
- 2. Read, Understand, and Follow the Instructions in this Manual.**
- 3. Use Good, Safe Work Practices in a Common Sense Way.**
- 4. Only have Authorized and Trained Personnel performing maintenance on the Towing and Recovery Unit.**

TABLE OF CONTENTS

It is assumed by the manufacturer that the Owner/Operator has a thorough knowledge of the accepted and lawful retrieval and towing methods as dictated by his city, county or state. The manufacturer rejects any liability claim that may result from the incorrect or unlawful application of its equipment.

Section I - PARTS

SUBFRAME ASSEMBLY	I-2 & I-3
BODY ASSEMBLY	I-4 thru I-7
RECOVERY BOOM ASSEMBLY	I-8 thru I-11
WHEEL LIFT BOOM ASSEMBLY	I-12 & I-13
CROSSBAR & OUTER CROSSTUBE ASSEMBLY	I-14 & I-15
BOOM & WHEEL LIFT HYDRAULICS	I-16 & I-17
PUMP, VALVE & FILTER HYDRAULICS	I-18 & I-19
CONTROL ASSEMBLY	I-20 & I-21
BOOM SWIVEL ASSEMBLY	I-22

Section VI - PARTS

This Section is provided by the manufacturer for the purpose of ordering any component part of the **Vulcan 806** that may be required when part replacement is necessary. Be certain to use only original equipment replacement parts for warranty purposes as well as for keeping your unit in its original state and optimum operating capacities.

When ordering replacement or spare parts be sure to provide the following information to the manufacturer's **Parts Department**.

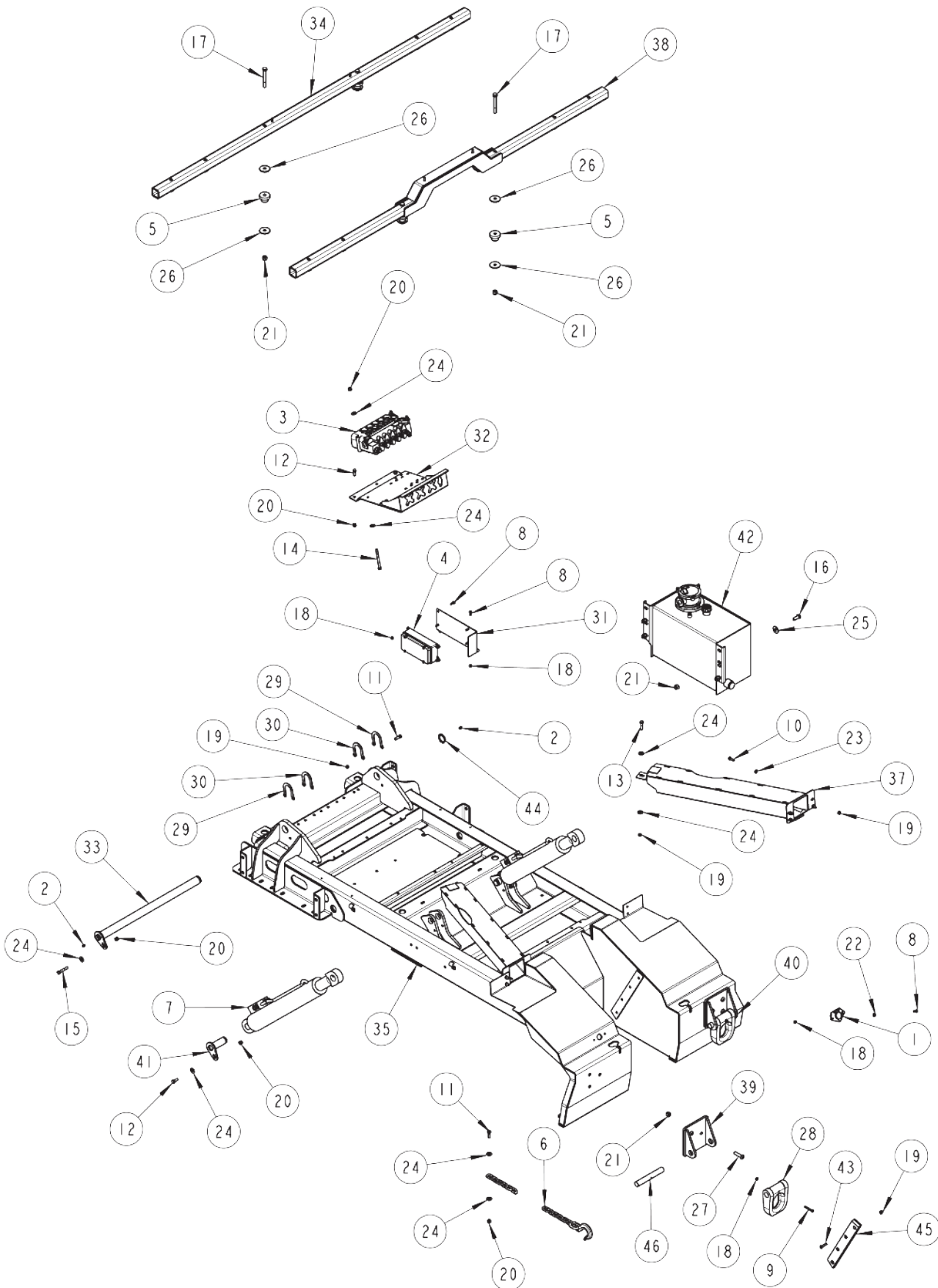
1. **Manual Number & Date of Publication**
2. **Manual Page Number**
3. **Page Title**
4. **Reference Number of Part Desired**
5. **Part Number**
6. **Part Description**
7. **Quantity of Part Desired**

Providing this information will help ensure that the correct parts will be delivered to you in an expedient manner without delay. Should additional information be required for repair or replacement of certain components, contact your Wrecker Manufacturer Authorized Representative.

The Manufacturer reserves the right, without notice or obligation, to improve or modify their products, which may change the specifications, models and feature availability.

Section I - PARTS (cont'd)

SUBFRAME ASSEMBLY



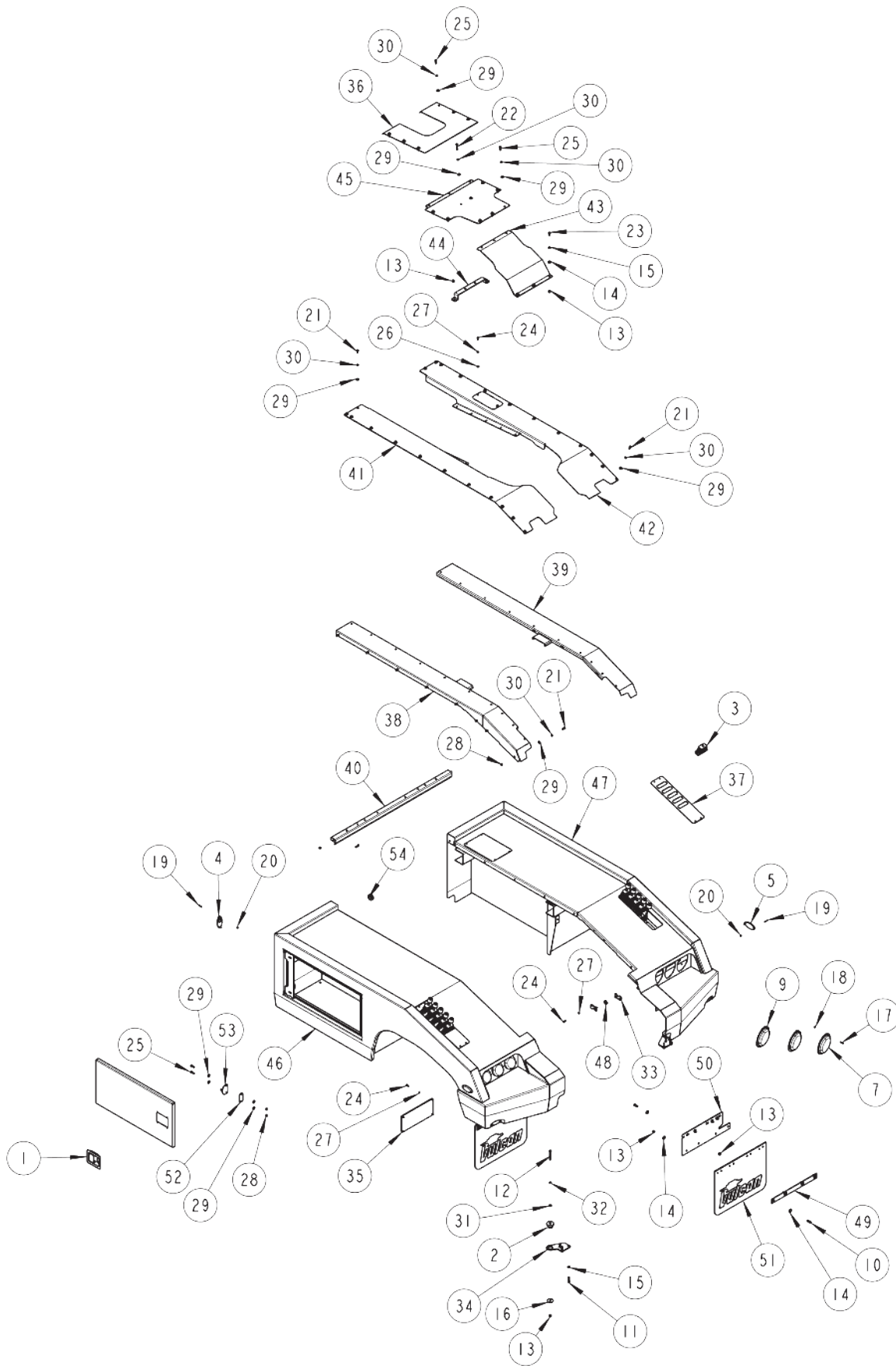
Section I - PARTS (cont'd)

SUBFRAME ASSEMBLY

ITEM	PART NUMBER	DESCRIPTION	QTY
1	0301671	TOW SOCKET	1
2	0301895	GREASE FITTING, 1/8 NPT STRAIGHT	2
3	0302179	VALVE, 5 SPOOL	1
4	0303385	JUNCTION BOX	1
5	0306680	RUBBER "T" MOUNTS	4
6	0307383	CHAIN ASSEMBLY, 5/16" G7 X 12'	1
7	0307575	LIFT CYLINDER	2
8	0400066	1/4-20 X 3/4 HHCS GR.5,ZP	8
9	0400078	1/4-20 x 2 HHCS GR5 ZP	2
10	0400109	5/16-18 X 1 HHCS GR.5,ZP	8
11	0400122	3/8-16 X 1 1/4 HHCS GR.5,ZP	2
12	0400126	3/8-16 X 1 HHCS GR.5,ZP	6
13	0400132	3/8-16 X 1 1/2 HHCS GR.5,ZP	2
14	0400140	3/8-16 X 4 HHCS GR.5,ZP	3
15	0400146	3/8-16 x 2-1/4 HHCS GR.5 ZP	1
16	0400177	1/2-13 X 1 1/4 HHCS GR. 5, ZP	4
17	0400237	1/2-13 x 4 HHCS GR 5 ZP	4
18	0400367	1/4-20 NYLOCK HEX NUT ZP	10
19	0400382	5/16-18 NYLOCK HEX NUT ZP	19
20	0400392	3/8-16 NYLOCK HEX NUT ZP	11
21	0400408	1/2-13 NYLOCK HEX NUT ZP	14
22	0400451	1/4 FLAT WASHER ZP	2
23	0400463	5/16 FLAT WASHER ZP	8
24	0400480	3/8 FLAT WASHER ZP	15
25	0400492	1/2 FLAT WASHER ZP	4
26	0400498	WASHER, 1/2' ID X 2" OD X .150	8
27	0401000	SCREW, 1/2"-13 X 2" BUTTON HEAD SKT	6
28	0712380	"D" RING	2
29	0719519	SHIM - BOOM PIVOT (.0747 THICK)	2
30	0719520	SHIM- BOOM PIVOT (.1196 THK)	2
31	0722941	BRACKET - JUNCTION BOX STAND	1
32	0806850	VALVE MOUNTING BRACKET WELDMENT	1
33	0807183	BOOM PIVOT PIN WELDMENT	1
34	0807232	FRONT BODY MTG.TUBE WELD'T	1
35	0807328	880 SUBFRAME -NEW CONV	1
36	0807330	SCOOP STORAGE WELD'T LH	1
37	0807331	SCOOP STORAGE WELD'T RH	1
38	0807437	REAR BODY MTG TUBE WELD'T	1
39	0807483	LH "D"-RING BRACKET	1
40	0807484	RH "D"-RING BRACKET	1
41	0807707	PIN WELDMENT	2
42	0910008	HYDRAULIC TANK ASSEMBLY	1
43	9043973	SCREW, 5/16"-16 X 1-1/2" FL HD SKT	8
44	9056150	RETAINING RING, 1-1/2"	1
45	805040011	VERTICAL BOOM GUIDE	2
46	BA0259	PIN, 'D' RING	2

Section I - PARTS (cont'd)

BODY ASSEMBLY



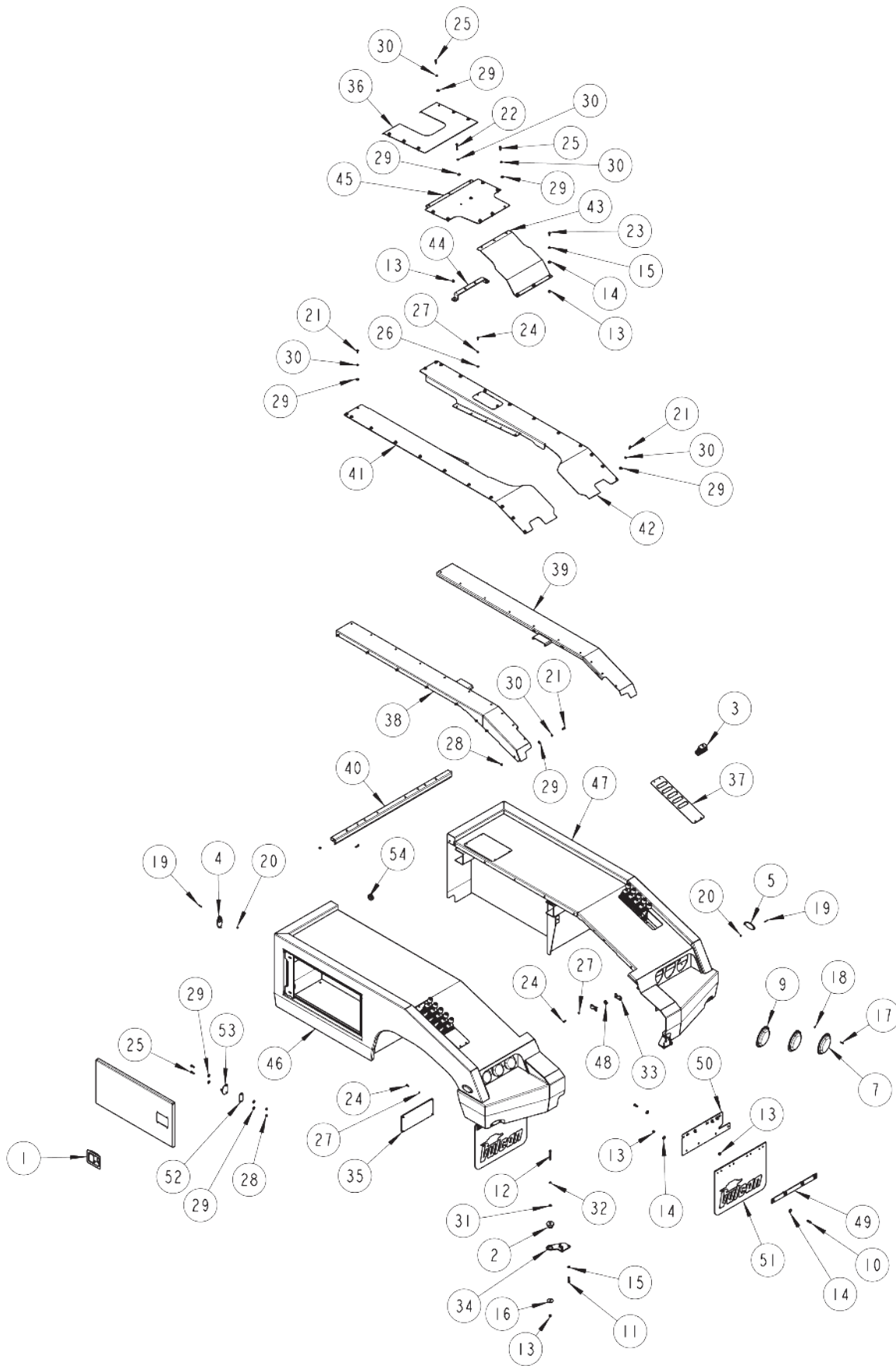
Section I - PARTS (cont'd)

BODY ASSEMBLY

ITEM	PART NUMBER	DESCRIPTION	QTY
1	0303120	PADDLE LATCH W/GASKET	2
2	0306680	RUBBER "T" MOUNTS	2
3	0310148	BOOT - CONTROL HANDLE	10
4	0310214	LAMP, LED SIDE MARKER (AMBER)	2
5	0310215	LAMP, LED SIDE MARKER (RED)	4
6	0310353	LIGHT, AGROLUN LH STOP/TAIL	2
7	0310354	LIGHT, AGROLUN RH STOP/TAIL	2
8	0310355	LIGHT, AGROLUN LH BACK-UP	1
9	0310356	LIGHT, AGROLUN RH BACK-UP	1
10	0400126	3/8-16 X 1 HHCS GR.5,ZP	16
11	0400132	3/8-16 X 1 1/2 HHCS GR.5,ZP	6
12	0400133	3/8-16 X 3 HHCS GR.5,ZP	2
13	0400392	3/8-16 NYLOCK HEX NUT ZP	23
14	0400480	3/8 FLAT WASHER ZP	27
15	0400482	3/8 HELICAL LOCK WASHER ZP	9
16	0400484	3/8 X 1-3/4 X 1/8 THICK FLAT WASHER ZP	2
17	0400686	#10-24 X 1" PAN HEAD PHILLIPS	12
18	0400688	#10-24 NYLOCK HEX NUT SS	12
19	0400689	SCREW, #8-32 X 1/2" FL HD PH MACH	12
20	0400690	NUT, #8-32 HEX NYLOK	12
21	0400823	5/16-18 X 3/4 LG HHCS SS	30
22	0400824	5/16-18 X 3/4 LG HHCS SS	2
23	0400825	3/8-16 X 3/4 SS HHCS	3
24	0402020	1/4-20 X 3/4 HHCS SS	18
25	0402032	5/16 X 1 HHCS SS	29
26	0402110	1/4 FLATWASHER 316 STAINLESS	2
27	0402111	1/4 LOCKWASHER 316 STAINLESS	18

Section I - PARTS (cont'd)

BODY ASSEMBLY (cont'd)



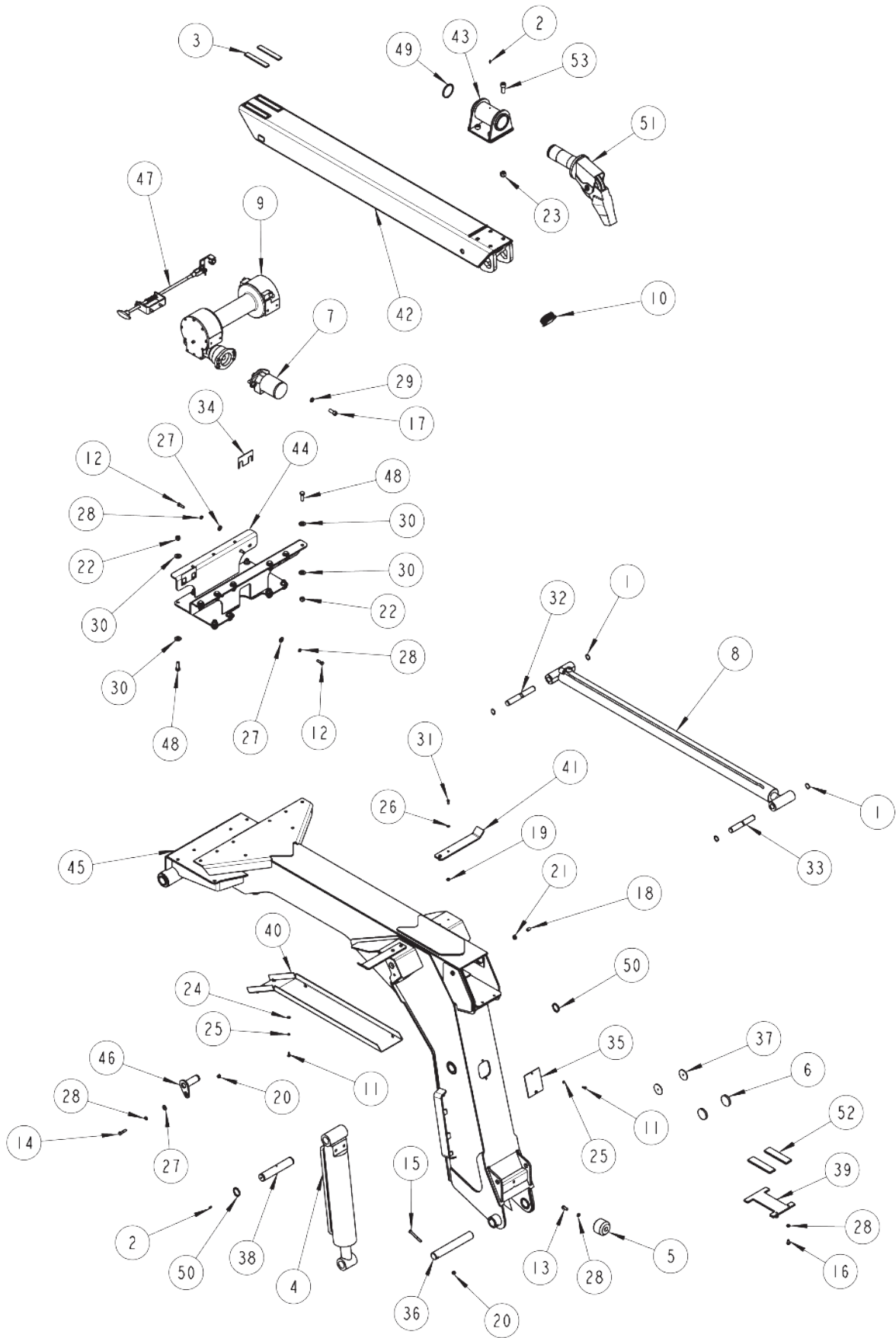
Section I - PARTS (cont'd)

BODY ASSEMBLY (cont'd)

ITEM	PART NUMBER	DESCRIPTION	QTY
28	0402116	5/16"-18 NC HEX NYLOK NUT SS	22
29	0402117	5/16 FLATWASHER 316SS	53
30	0402118	5/16 HELICAL LOCK WASHER SS	45
31	0402120	3/8 FLATWASHER 316 SS	2
32	0402121	3/8 LOCKWASHER 316 STAINLESS	2
33	0719710	SPLIT HARNESS PLATE	4
34	0719921	BODY / SUBFRAME MTG. PLATE	2
35	0721514	TAIL LIGHT INSPECTION COVER PLATE	2
36	0721694	COVER- TOP FRONT	1
37	0722062	PLATE - 5 FUNCTION CONTROL COVER	2
38	0807319	LH 94" WIDE DECK MTG. ANGLE WELDMENT	1
39	0807320	RH 94" WIDE DECK MTG. ANGLE WELDMENT	1
40	0807326	FRONT DECK MTG. CROSSMEMBER WELD'T	1
41	0807347	COVER TOP LH SIDE - 806 WRECKER	1
42	0807348	COVER TOP RH SIDE - 806 WRECKER	1
43	0807349	COVER - REAREND WELDMENT	1
44	0807350	SUPPORT BRKT WELD'T- TOP COVERS	1
45	0807351	COVER TOP INTERMEDIATE WELD'T-	1
46	0807417	LH S.S. BODY WELDMENT	1
47	0807418	RH S.S. BODY WELDMENT	1
48	9032053	GROMMET	2
49	804500001	MUD FLAP BACK-UP STRIP	2
50	806070010	MUD FLAP EXTENSION PLATE	2
51	891000001	MUDFLAP	2
52	942480006	WASHER PLATE	2
53	945400800	STRICKER PIN WELDMENT	2
54	GV57	RUBBER GROMMET	2

Section I - PARTS (cont'd)

RECOVERY BOOM ASSEMBLY



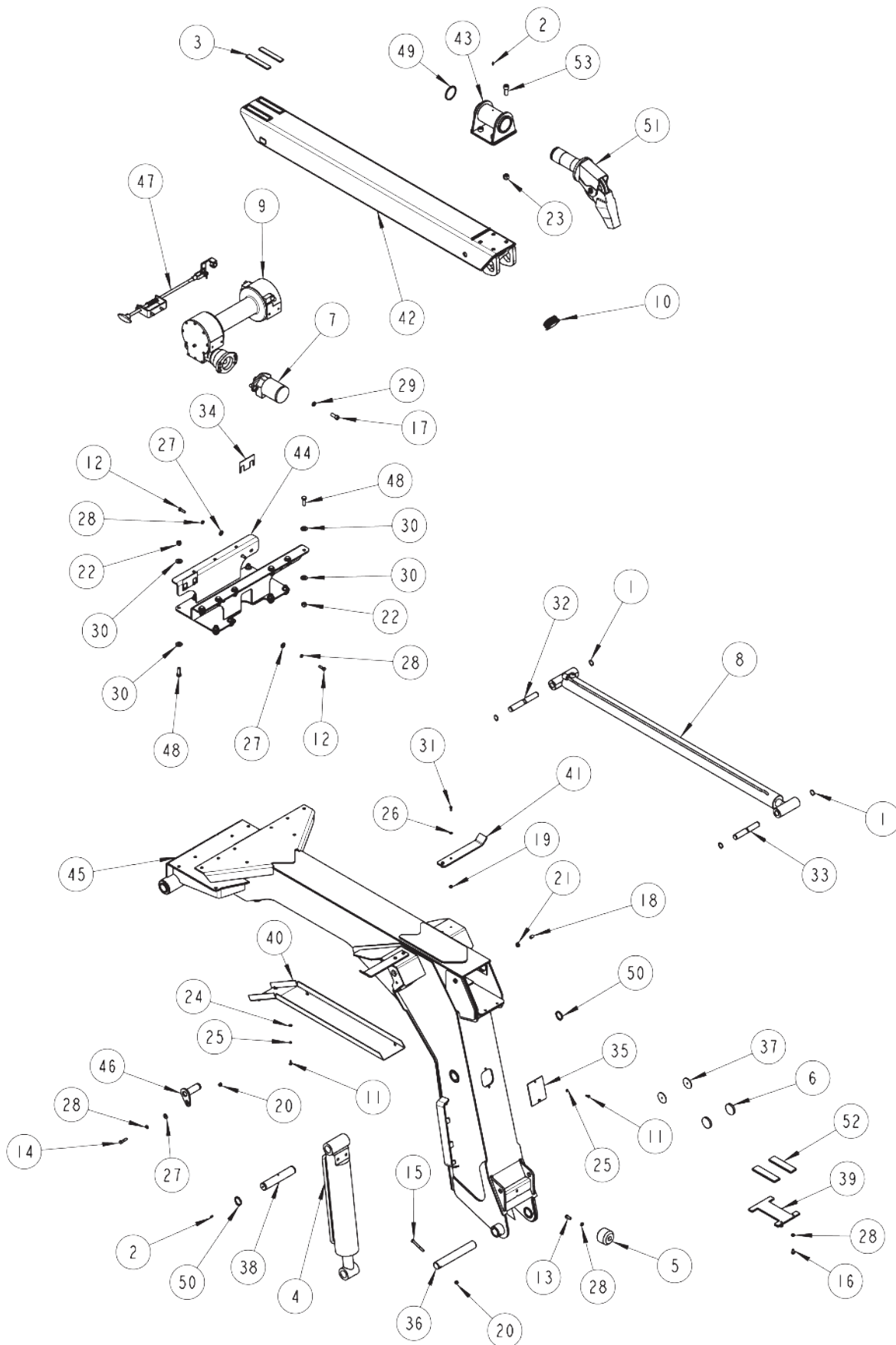
Section I - PARTS (cont'd)

RECOVERY BOOM ASSEMBLY

ITEM	PART NUMBER	DESCRIPTION	QTY
1	0300110	SNAP RING, 1"	4
2	0300113	GREASE FITTING, 1/4-28 STRAIGHT	2
3	0300679	BEARING PAD, NYLATRON	2
4	0302919	FOLD CYLINDER	1
5	0306688	TIMBREN SPRING	1
6	0306819	PAD, SLIDE	2
7	0307097	HYDRAULIC MOTOR, PARKER	1
8	0307578	HYD CYLINDER, BOOM EXTEND	1
9	0307579	WINCH ASSEMBLY, HY-246 NARROW DRUM	1
10	0307590	PLUG, LDPE BLACK SQR-17-1014	1
11	0400066	1/4-20 X 3/4 HHCS GR.5,ZP	8
12	0400122	3/8-16 X 1 1/4 HHCS GR.5,ZP	6
13	0400126	3/8-16 X 1 HHCS GR.5,ZP	1
14	0400132	3/8-16 X 1 1/2 HHCS GR.5,ZP	2
15	0400133	3/8-16 X 3 HHCS GR.5,ZP	1
16	0400149	3/8-16 X 5/8 HHCS GR5 ZP	2
17	0400196	SCREW, 1/2"-13 X 1-1/4" SKT HD	2
18	0400204	1/2-13X3/4 SKT HD SET	2
19	0400382	5/16-18 NYLOCK HEX NUT ZP	4
20	0400392	3/8-16 NYLOCK HEX NUT ZP	3
21	0400410	NUT, 1/2"-13 HEX JAM ZP	2
22	0400416	1/2-13 NYLOCK HEX NUT GR.8, ZP	14
23	0400426	5/8-11 NYLOCK NUT GR.8 ZP	4
24	0400451	1/4 FLAT WASHER ZP	6
25	0400452	1/4 HELICAL LOCK WASHER ZP	8
26	0400464	5/16 HELICAL LOCK WASHER ZP	4
27	0400480	3/8 FLAT WASHER ZP	8

Section I - PARTS (cont'd)

RECOVERY BOOM ASSEMBLY (cont'd)



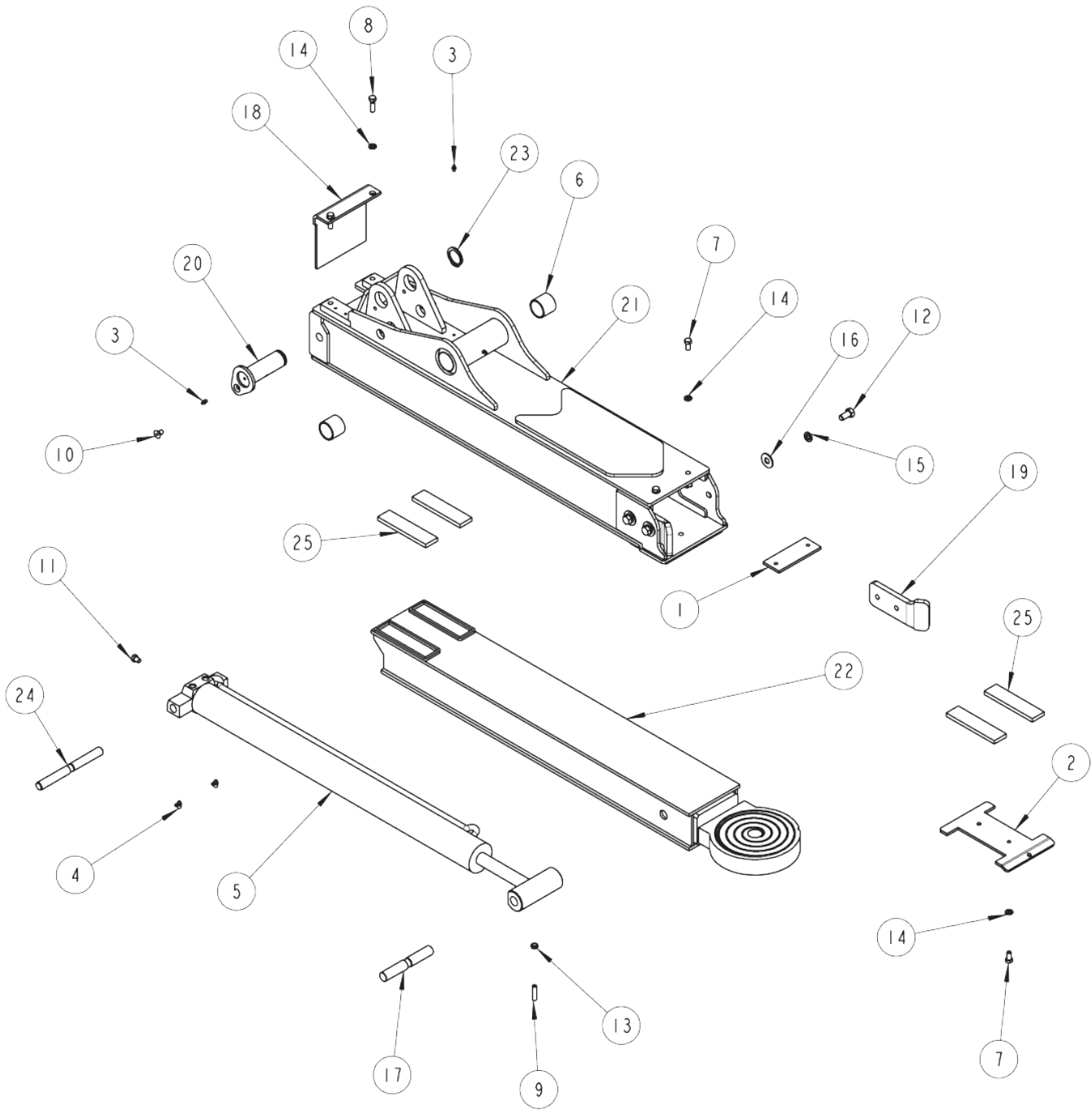
Section I - PARTS (cont'd)

RECOVERY BOOM ASSEMBLY (cont'd)

ITEM	PART NUMBER	DESCRIPTION	QTY
28	0400482	3/8 HELICAL LOCK WASHER ZP	11
29	0400491	1/2 HELICAL LOCK WASHER ZP	2
30	0400497	1/2 FLAT WASHER GR.8,YZ PLATED	28
31	0400614	SCREW, 5/16"-18 X 3/4" ALLEN BTN HD CAP	4
32	0703082	PIVOT PIN - EXT CYL, INNER BOOM	1
33	0705499	SHAFT, UPPER SPADE	1
34	0706668	SHIM, WINCH MOUNTING	2
35	0708519	PLATE, ACCESS COVER	1
36	0717069	PIN - MIDNIGHT U/L	1
37	0717674	SHIM - PAD SPACER	2
38	0718218	PIN - FOLD (BASE)	1
39	0718219	PLATE - PAD CAGE	1
40	0718527	COVER - HOSE TRACK	1
41	0721649	CABLE GUIDE - FRONT	2
42	0806843	INNER BOOM WELDMENT, EXPRESS	1
43	0806844	SHEAVE HEAD WELDMENT	1
44	0806846	WINCH BUCKET WELDMENT	1
45	0807436	806 OUTER BOOM WELDMENT	1
46	0807707	PIN WELDMENT	2
47	0908627	WINCH FREE-SPOOL ASSY	1
48	9041403	1/2-13 X 1-1/2 HHCS GR 8 ZP	14
49	9055275	SNAP RING, 2-3/4" EXTERNAL	1
50	9056150	RETAINING RING, 1-1/2"	2
51	805180000	SHEAVE HOUSING ASSEMBLY	1
52	896040002	NYLATRON PAD	2
53	HD0505	SHOULDER BOLT, 5/8"-11 X 1-1/2" SKT HD	4

Section I - PARTS (cont'd)

WHEEL LIFT BOOM ASSEMBLY



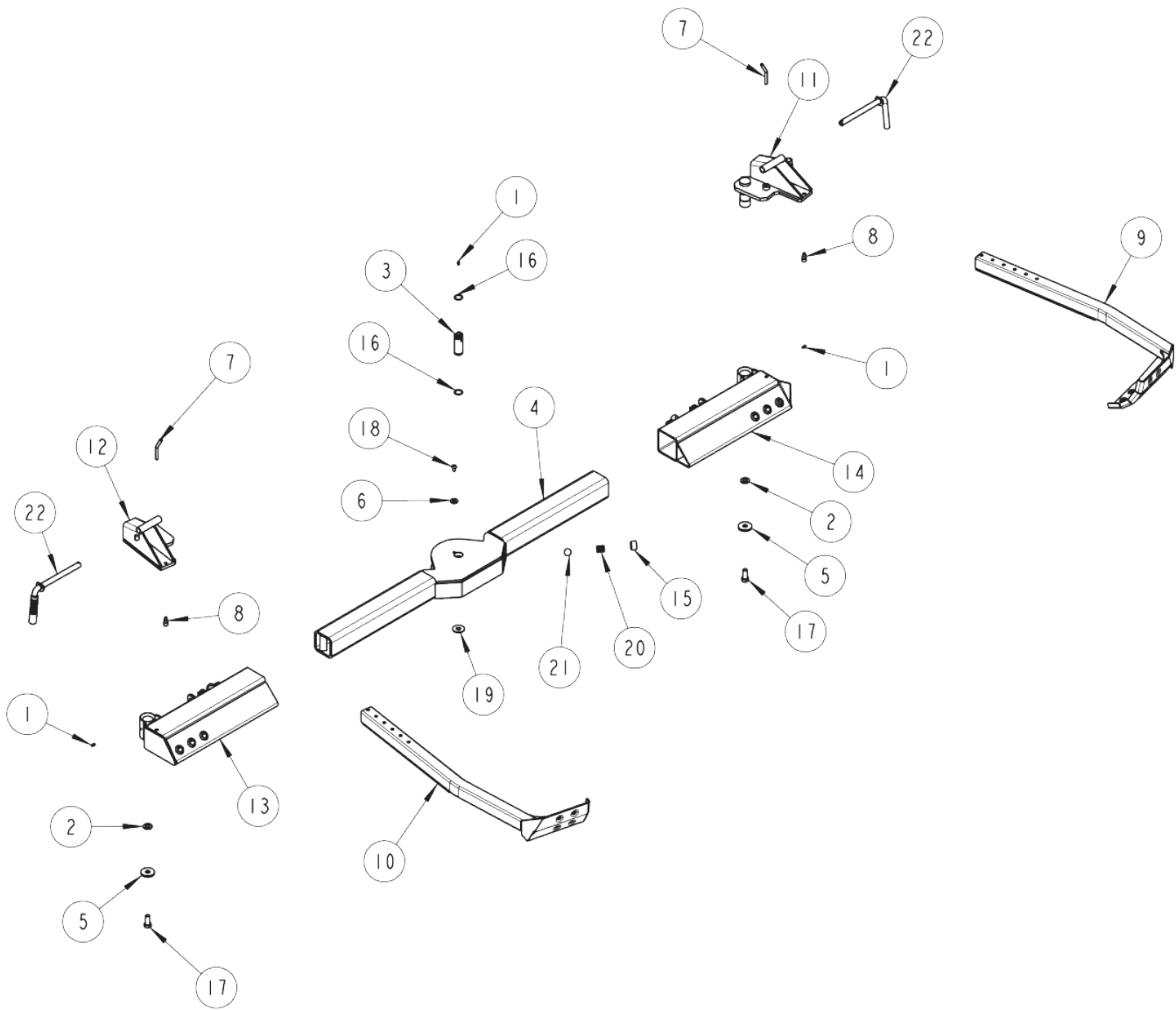
Section I - PARTS (cont'd)

WHEEL LIFT BOOM ASSEMBLY

ITEM	PART NUMBER	DESCRIPTION	QTY
1	3012-794003	BAR - SPACER	1
2	3012-794004	PLATE - UL PAD CAGE	1
3	0300113	GREASE FITTING, 1/4-28 STRAIGHT	4
4	0301397	GREASE FITTING, 90 DEG	2
5	0301825	CYLINDER HYDRAULIC EXTEND	1
6	0306942	CAST BRONZE BEARING- SLEEVE 1 1/2"	2
7	0400121	3/8-16NC X 3/4 HHCS GR. B	4
8	0400122	3/8-16 X 1 1/4 HHCS GR.5,ZP	2
9	0400139	SCREW, 3/8"-16 X 1-1/2" HEX SKT SET	1
10	0400152	SCREW, 3/8"-16 X 5/8" SKT HD SUNK	1
11	0400154	3/8-16 X 1/2 HHCS GR.5,ZP	1
12	0400217	1/2-20 X 1.00 HHCS GR8 ZP	4
13	0400398	3/8-16 NYLOCK HALF-NUT ZP	1
14	0400482	3/8 HELICAL LOCK WASHER ZP	6
15	0400491	1/2 HELICAL LOCK WASHER ZP	4
16	0400492	1/2 FLAT WASHER ZP	4
17	0718216	SHAFT- INNER TUBE CYLINDER	1
18	0718528	ANGLE - BOOM COVER	1
19	0718949	PLATE - XBAR POSITIONING	2
20	0806842	PIN WELDMENT	1
21	0807027	OUTER W/L BOOM WELDMENT	1
22	0807082	INNER UNDERLIFT BOOM WELDMENT	1
23	9056150	RETAINING RING, 1-1/2"	1
24	807500001	PIN - EXTEND	1
25	896040002	NYLATRON PAD	4

Section I - PARTS (cont'd)

CROSSBAR & OUTER CROSSTUBE ASSEMBLY



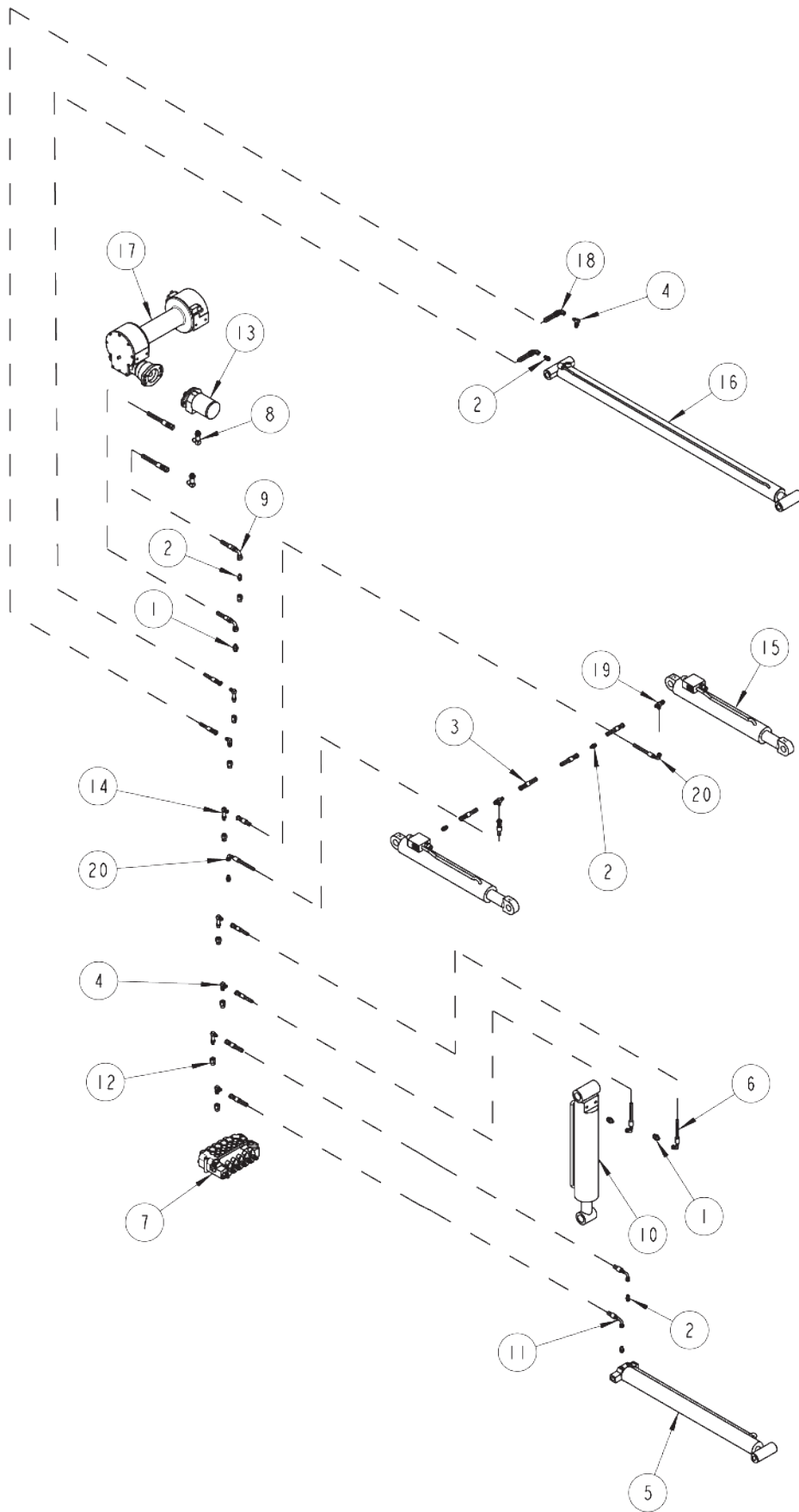
Section I - PARTS (cont'd)

CROSSBAR & OUTER CROSSTUBE ASSEMBLY

ITEM	PART NUMBER	DESCRIPTION	QTY
1	0300113	GREASE FITTING, 1/4-28 STRAIGHT	3
2	0400505	5/8 FLAT WASHER SAE	2
3	0718392	CROSSBEAM PIVOT PIN	1
4	0806899	STINGER CROSSBEAM WELD'T	1
5	8600404	WASHER	2
6	8600406	WASHER - PIVOT PIN	1
7	8602001	LOCK PIN	2
8	8700109	SCOOP PIN	2
9	8700180	WHEEL RETAINER WELD'T	1
10	8700190	WHEEL RETAINER WELD'T	1
11	8701500	SCOOP BRACKET WELD'T	1
12	8701600	SCOOP BRACKET WELD'T	1
13	8800801	LH WHEEL GRID ASSY 880	1
14	8800901	RH WHEEL GRID ASSY 880	1
15	9012944	PIPE PLUG, 1" NPT SKT HD	1
16	9030214	O-RING	2
17	9043950	5/8-11X1-1/2	2
18	9043956	3/8 NC X 3/4 BUTTON HD ALLEN	1
19	9045209	5/8" BS FLAT WASHER NON-PLATED	1
20	9047057	DETENT SPRING	1
21	9052013	BALL, 1" CHROME	1
22	880411600	FRONT STOP PIN ASSY (CROSSBAR)	2

Section I - PARTS (cont'd)

RECOVERY BOOM & WHEEL LIFT HYDRAULICS



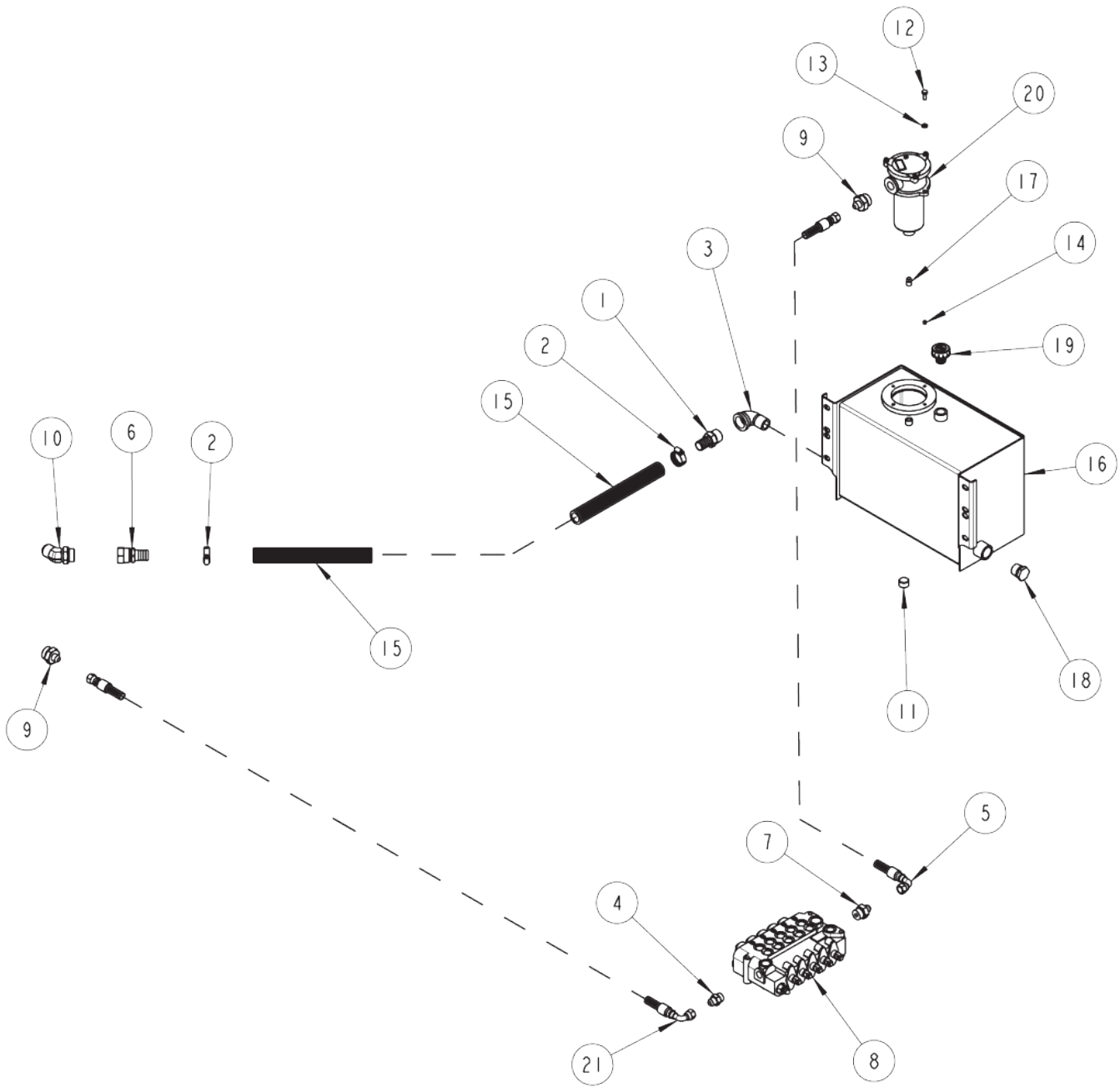
Section I - PARTS (cont'd)

RECOVERY BOOM & WHEEL LIFT HYDRAULICS

ITEM	PART NUMBER	DESCRIPTION	QTY
1	0300044	CONNECTOR 6MJX8MB	3
2	0301522	CONNECTOR 6MJ-6MB	7
3	0301524	HOSE ASSEMBLY, 24" LG.	2
4	0301620	FITTING, ELBOW, 6MJ-6MB90	4
5	0301825	CYLINDER - EXTEND	1
6	0301921	HOSE ASSEMBLY, 128"	2
7	0302179	VALVE, 5 SPOOL	1
8	0302508	ELBOW, 8MJ-8MB90LL	2
9	0302584	HOSE ASSEMBLY, 50"	2
10	0302919	FOLD CYLINDER	1
11	0302922	HOSE ASSEMBLY, 170"	2
12	0303017	CONNECTOR 8MBX6FB	8
13	0307097	HYDRAULIC MOTOR, PARKER	1
14	0307460	FITTING, ELBOW, 6MJ-6MB90L	4
15	0307575	LIFT CYLINDER	2
16	0307578	HYD CYLINDER, BOOM EXTEND	1
17	0307579	WINCH ASSEMBLY, HY-246 NARROW DRUM	1
18	0307633	HOSE ASSEMBLY	2
19	9012594	FITTING, HYD RUN TEE, 6MJ-6MB-6MJ	2
20	810770015	HOSE ASSEMBLY, 29"	2

Section I - PARTS (cont'd)

PUMP, VALVE & FILTER HYDRAULICS



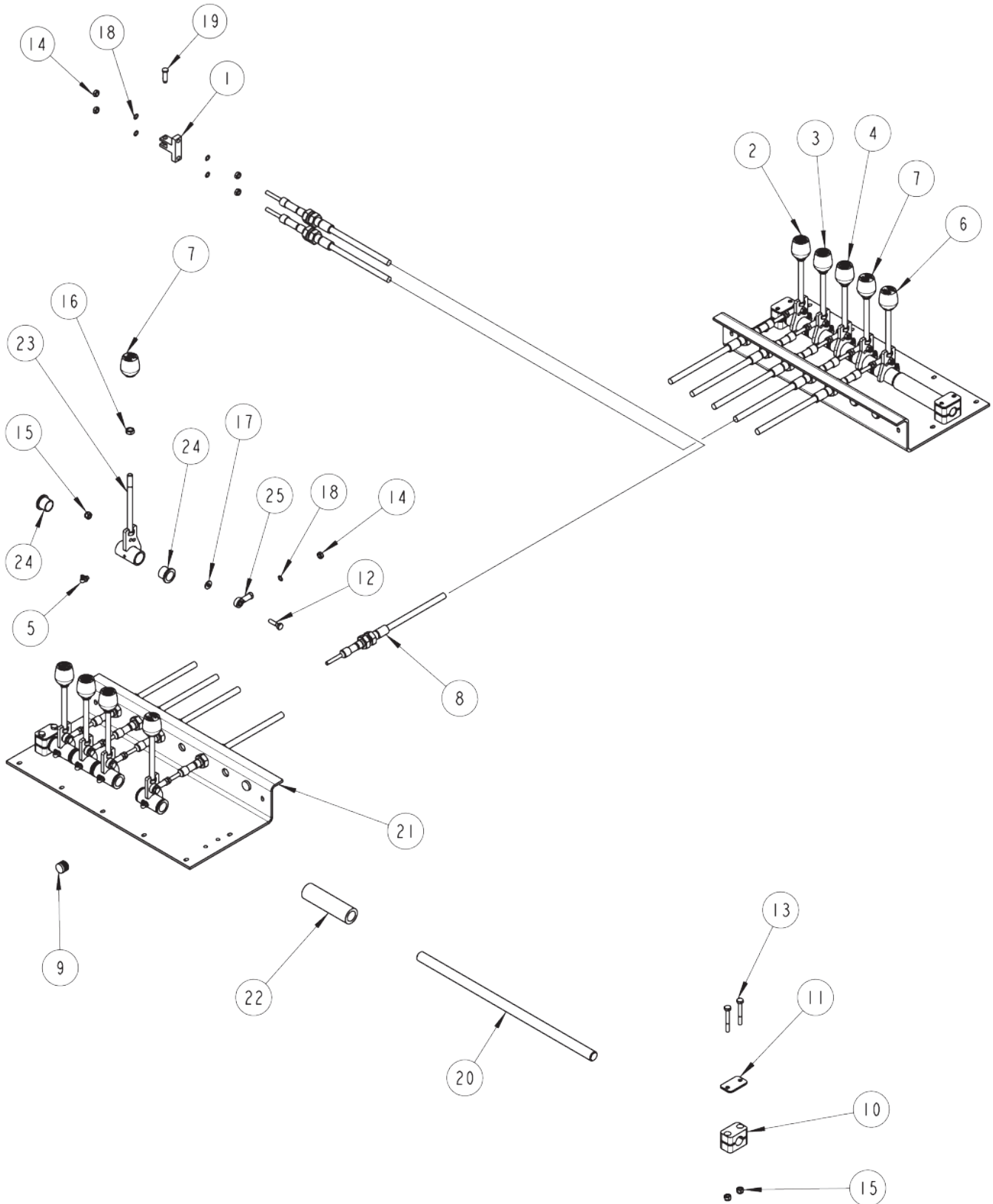
Section I - PARTS (cont'd)

PUMP, VALVE & FILTER HYDRAULICS

ITEM	PART NUMBER	DESCRIPTION	QTY
1	0300011	VALVE, 4 SPOOL CONTROL	1
2	0300056	BARB, 16C4-16MP	1
3	0300071	HOSE CLAMP, 1"	2
4	0300692	STREET ELBOW, 1" 90°	1
5	0301376	CONNECTOR 8MJX10MB	1
6	0301471	HOSE ASSEMBLY - 30" LG	1
7	0301767	BARB, 16C4-16FJX	1
8	0301780	CONNECTOR, 8MJ-12MB	1
9	0302757	CONNECTOR, 8MJ-12MB	2
10	0302761	ELBOW, 16MJ-16MB45	1
11	0310462	MAGNETIC HEX PLUG ~ 3/4 NPT	1
12	0400118	5/16-18 X 3/4 HHCS GR.5 ZP	2
13	0400464	5/16 HELICAL LOCK WASHER ZP	2
14	0400748	SCREW, 5/16"-18 X 1/4" HEX SKT SET	2
15	0702540	SUCTION HOSE, 12 FT (1" ID)	2
16	0807297	HYDRAULIC TANK WELDMENT	1
17	9011011	PIPE PLUG, 1/4" SQ HD	1
18	9012839	PLUG 1" (HYDRAULIC) HEX HEAD	1
19	9018131	BREATHER CAP	1
20	9018399	IMMERSION FILTER ASSEMBLY	1
21	880010023	HOSE ASSEMBLY-103"	1

Section I - PARTS (cont'd)

CONTROL ASSEMBLY



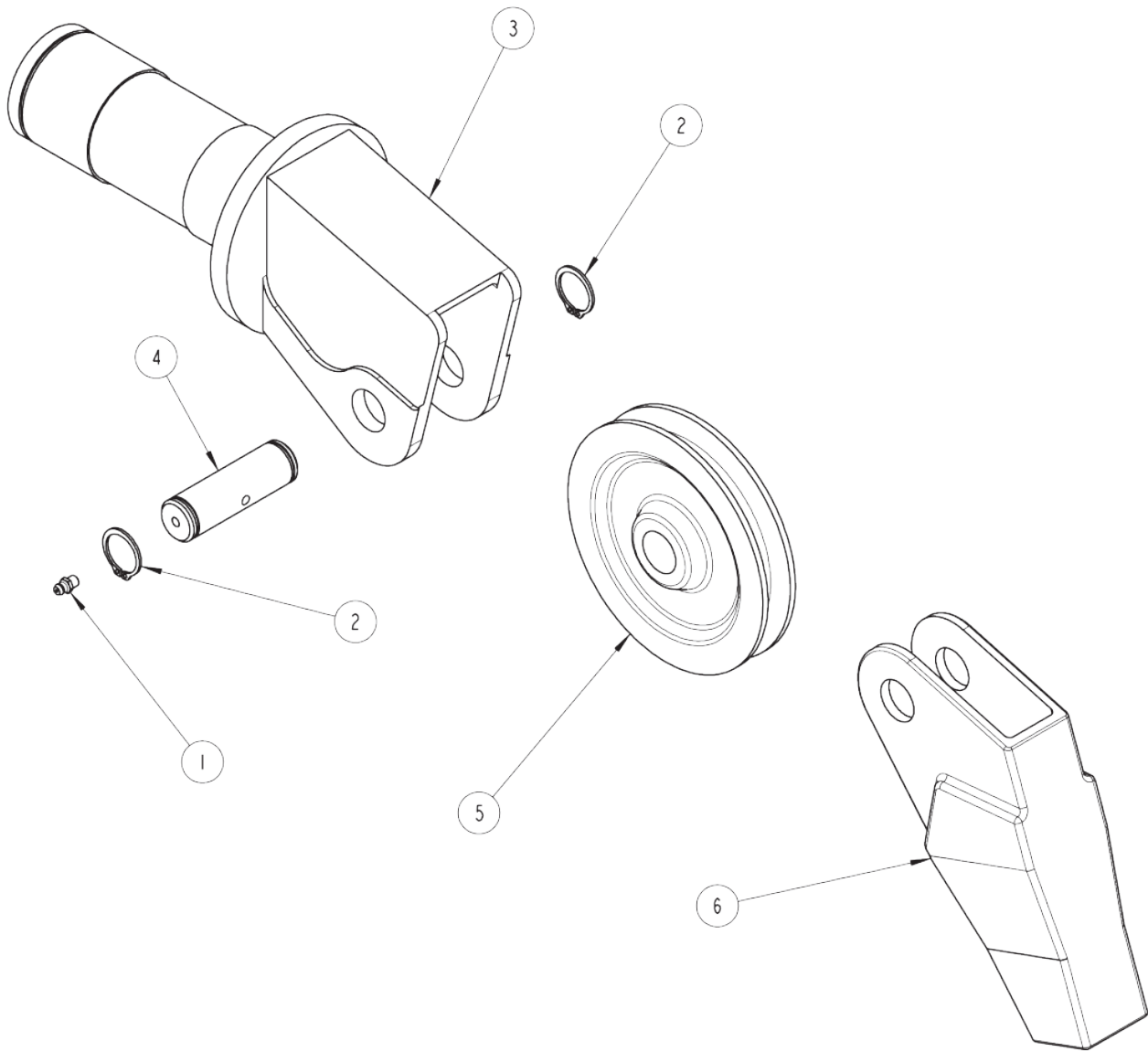
Section I - PARTS (cont'd)

CONTROL ASSEMBLY

ITEM	PART NUMBER	DESCRIPTION	QTY
1	3014-791012	CLEVIS - DUAL CTRL CABLE	1
2	0300834	KNOB, CABLE (IN-OUT)	2
3	0300835	KNOB, BOOM (UP-DN)	2
4	0300837	KNOB, BOOM (IN-OUT)	2
5	0301397	GREASE FITTING, 90 DEG	10
6	0302856	KNOB, TILT (UP-DN)	2
7	0302917	KNOB, WHL LIFT EXT (IN-OUT)	2
8	0307634	CONTROL CABLE 64" LG	10
9	0307772	3/4 PLUG	4
10	0307823	CLAMP CUSHION	4
11	0307824	CLAMP COVER PLATE	4
12	0400070	1/4-20 X 1 HHCS GR5 ZP	10
13	0400078	1/4-20 X 2 HHCS GR5 ZP	4
14	0400365	HEX NUT, 1/4"-28	14
15	0400367	1/4-20 NYLOCK HEX NUT ZP	14
16	0400393	3/8"-16 HEX JAM NUT	8
17	0400451	1/4 FLAT WASHER ZP	10
18	0400458	1/4 STAR LOCKWASHER ZP	14
19	0400527	CLEVIS PIN, 5/16" X 5/8" COTTERLESS	1
20	0721658	ROD CONTROL HANDLE PIVOT	2
21	0722377	PLATE- CONTROL HANDLE MOUNTING	2
22	0722380	SPACER	2
23	0806852	CONTROL HANDLE WLMT	10
24	9053524	BRONZE BUSHING (.752 X .879 X .750)	20
25	HD0900	BEARING, ROD END, 1/4-28	10

Section I - PARTS (cont'd)

BOOM SWIVEL ASSEMBLY



ITEM	PART NUMBER	DESCRIPTION	QTY
1	0300113	GREASE FITTING, 1/4-28 STRAIGHT	1
2	9056098	SNAP RING, 1"	2
3	804181500	SHEAVE HOUSING CASTING	1
4	805180001	SHEAVE SHAFT	1
5	805180002	SHEAVE CASTING	1
6	852060100	CABLE GUIDE CASTING	1



Miller Industries Towing Equipment Inc.
8503 Hilltop Drive • Ooltewah, Tennessee 37363 • (423) 238-4171
www.millerind.com