



20.20

PART NO. 915990000

**NOTE: MANUAL including SPECIFICATIONS, subject to change without notice. All ratings specified are based on structural factors only, not vehicle capacities or capabilities.**



Vulcan Equipment Company Inc.  
8503 Hilltop Drive  
Ooltewah, Tennessee 37363  
Phone (423) 238-7227  
FAX (423) 238-7237



8503 Hilltop Drive  
Ooltewah, Tennessee 37363

#### **WARRANTY**

**Vulcan Equipment Company Inc.**, hereinafter referred to as **Vulcan**, warrants to the purchaser the basic new towing equipment for a period of one (1) year provided the failure results from a defect in material or workmanship and under normal use of service.

The obligation under this warranty statutory or otherwise is limited to the replacement or repair at our factory of such parts which appear to us upon inspection to be defective. This warranty does not commit **Vulcan Equipment Company Inc.** to bear the cost of labor or transportation charges.

Components of proprietary manufacture, such as branded electric and hydraulic winches, Stone Power packs, PTO's etc., carry warranties of their respective U.S. Distributors.

No warranty shall apply if the **TOWING EQUIPMENT** has been installed, altered, repaired or misused in such a manner that, **Vulcan's** opinion, it affects the reliability or detracts from the performance of any parts of the **TOWING EQUIPMENT** as designed.

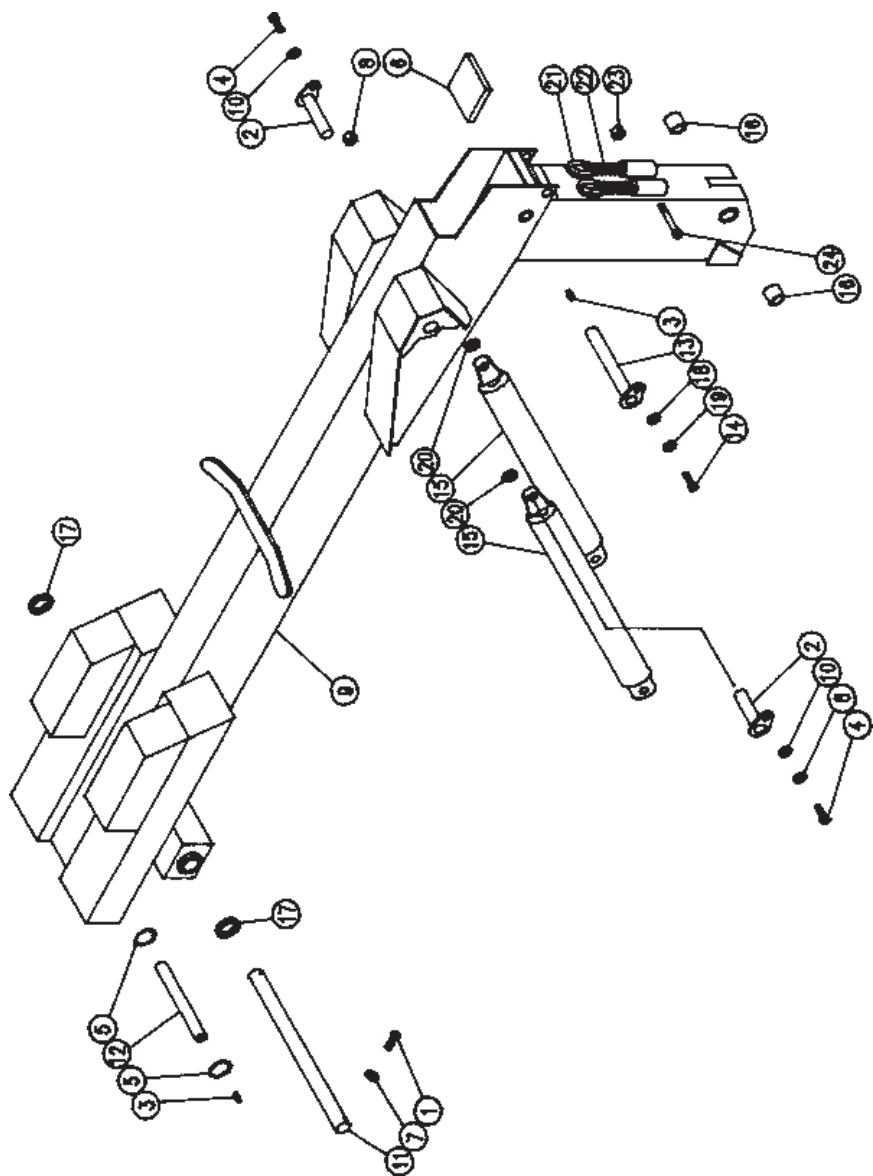
Vulcan Equipment Company Inc. shall in no event be liable for consequential damages or contingent liabilities originating from the failure of any parts or products to operate properly.

We reserve the right to change or improve our products at any time without any obligation to make changes or improvements to equipment previously sold.

This warranty is exclusive and is in lieu of all other warranties or conditions expressed, implied or statutory, including the warranty of merchantability and the condition of right to sell. Further, this warranty is affective only when the attached postcard is completed and mailed within fifteen days from date of purchase, otherwise the date of original sale by **Vulcan** shall determine the warranty period.

# REPLACEMENT PARTS

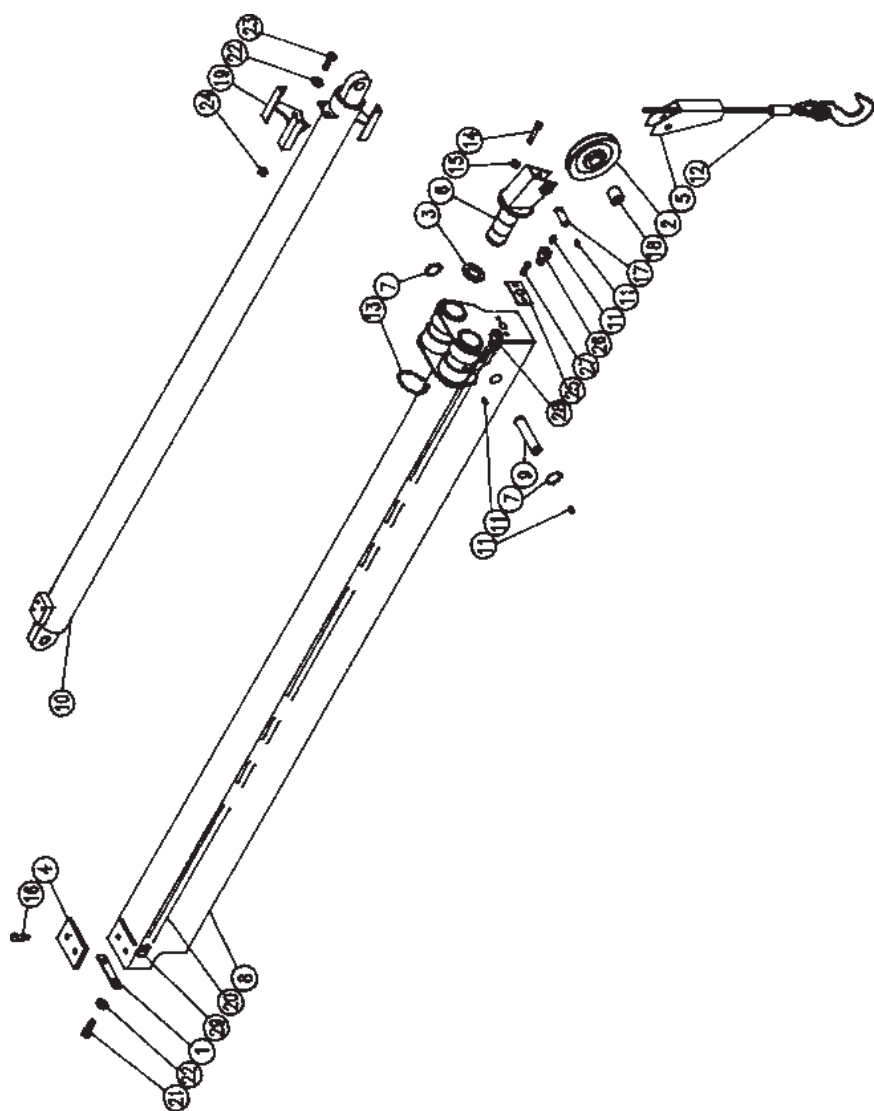
FIG 1. 915040000. OUTER BOOM ASSEMBLY



**FIG 1. 915040000. OUTER BOOM ASSEMBLY**

ID NO	PART NO	DESCRIPTION	QTY
1	9043577	SCREW, 1/2"NF X 1-3/4" SKT HD CAP	2
2	915322000	CYLINDER, UPPER PIN LIFT	2
3	9012532	FITTING, 1/8"	2
4	9041404	SCREW, 1/2"NC X 1-3/4" HEX HD CAP	2
5	9056150	RETAINING RING, 1-1/2"	2
6	915030005	WEAR PAD, LOWER	1
7	9043155	NUT, 1/2" NF HEX	2
8	9045059	LOCKWASHER, 1/2"	2
9	915260000	OUTER BOOM	1
10	9045356	WASHER, 1/2" FLAT	2
11	915350001	PIN, BOOM PIVOT	1
12	915350002	PIN, EXTEND CYLINDER FRONT	1
13	915350500	PIN, TILT CYLINDER UPPER	1
14	9041403	SCREW, 1/2"NC X 1-1/2" HEX HD CAP	1
15	91573000	LIFT CYLINDER	2
16	9400004	BRONZE BUSHING	2
17	915030006	SPACER, 3/8"	2
	915030007	SPACER, 1/4" (OPTIONAL)	2
	915030008	SPACER, 1/2" (OPTIONAL)	2
18	9045356	WASHER, 1/2" SAE FLAT	1
19	9045059	LOCKWASHER 1/2"	1
20	915040002	THRUST WASHER	2
21	9048800	CHAIN LINK, 5/8" WELDLESS	2
22	945030007	CABLE TIE BACK SPRING	2
23	9043307	NUT, 5/8" NYLOK	2
24	9044445	SCREW, 5/8" X 4" GR8 HEX HD CAP	2

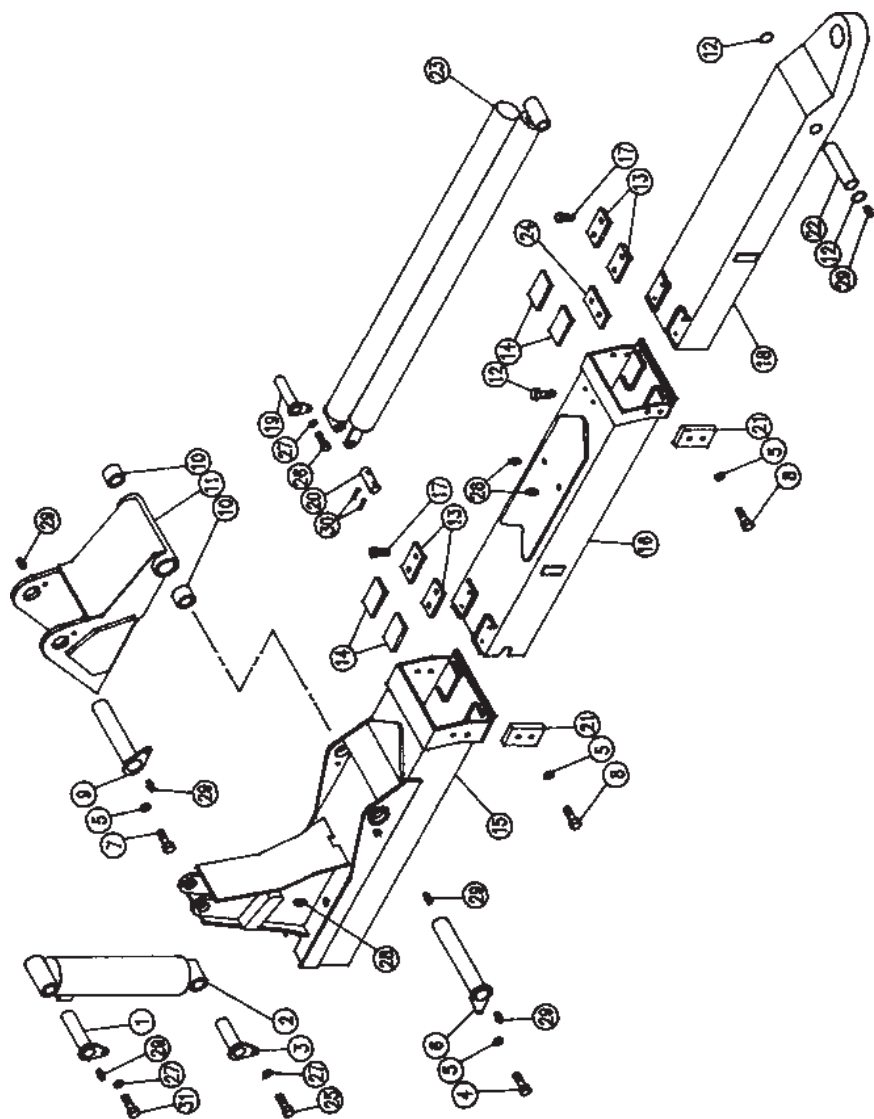
FIG 2. 915040000. INNER BOOM ASSEMBLY



## FIG 2. 915040000. INNER BOOM ASSEMBLY

ID NO	PART NO	DESCRIPTION	QTY
1	915040001	PAD, RETAINING PLATE	1
2	9401002	SHEAVE	2
3	920100001	SPACER	2
4	915030004	UPPER WEAR PAD	1
5	9401070	CABLE GUIDE	2
6	920101000	SHEAVE BRACKET	2
7	9056150	RETAINING RING, 1-1/2"	2
8	915270000	INNER BOOM	1
9	915350002	PIN EXTENSION CYLINDER, REAR	1
10	915710000	EXTENSION CYLINDER	1
11	9012532	FITTING, 1/8" NPT	6
12	9044140	WINCH CABLE, 9/16" X 150'	2
13	9055400	RETAINING RING, 4" EXTENSION	2
14	9041217	SCREW, 3/8" NC X 4" HEX HD CAP	2
15	9043306	NUT, 3/8" NC NYLOK	2
16	9044434	SCREW, 3/8" NC X 1" FLAT HD SCKT	2
17	9401004	PIN, SHEAVE	2
18	9401007	BUSHING	2
19	915040400	SPIDER CLAMP, TOP	1
20	9404561	BRAKE TUBE, 3/8"	15'
21	9041205	SCREW, 3/8" NC X 1" HEX HD CAP	2
22	9045057	LOCKWASHER, 3/8"	6
23	9041207	SCREW, 3/8" NC X 1-1/2" HEX HD CAP	4
24	9043380	STOVER NUT, 3/8" NC	2
25	9043411	MOUNTING PLATE, LUBRICATING	1
26	9012552	CONNECTOR, BULKHEAD	1
27	9042387	SCREW, #10-24 X 3/4" BINDING HD	2
28	9012549	FITTING, AIR BRAKE	1
29	9012584	ELBOW, 1/4" NPT X 3/8" 90°	1

FIG 3. 915150000. UNDERLIFT ASSEMBLY

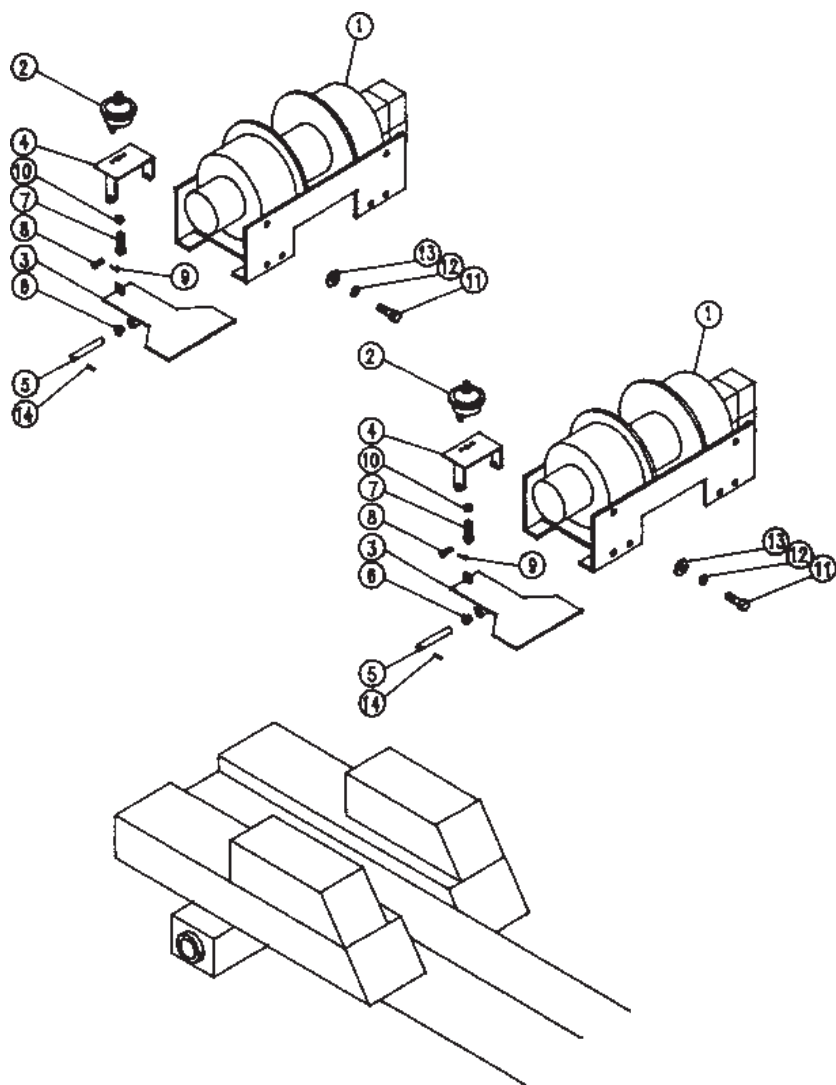




**FIG 3. 915150000. UNDERLIFT ASSEMBLY**

ID NO	PART NO	DESCRIPTION	QTY
1	915350500	PIN, TILT CYLINDER UPPER	1
2	915740000	TILT CYLINDER	1
3	915351500	PIN, TILT CYLINDER LOWER	1
4	9043947	SCREW, 5/8" NC X 1" HEX HD CAP	1
5	9045061	LOCKWASHER, 5/8"	10
6	915353000	STINGER PIVOT PIN	1
7	9040602	SCREW, 5/8" NC X 1-1/4" HEX HD CAP	1
8	9044478	SCREW, 5/8" NF X 1-1/4" HEX HD CAP	8
9	915351000	FOOT PIVOT	1
10	924190004	BRONZE BUSHING	2
11	945300000	PIVOT FOOT	1
12	9044434	RETAINING RING, 1-3/8" HD	2
13	930150003	NYLATRON PAD, TOP	4
14	930150004	NYLATRON PAD, BOTTOM	4
15	915310000	FOLDING BOOM	1
16	915320000	FIRST STAGE STINGER	1
17	9041218	SCREW, 1/4" NC X 5/8" FLAT HD SCKT	8
18	915330000	STINGER, SECOND STAGE	1
19	915250000	PIN, STINGER EXTEND CYLINDER FRONT	1
20	915350005	PIN, STINGER EXTEND CYLINDER 1ST	1
21	915150002	STOP BLOCKS	4
22	915350006	PIN, STINGER EXTEND CYLINDER REAR	1
23	915720000	STINGER EXTENSION CYLINDER	1
24	915150003	SPACER PLATE	1
25	9041402	SCREW, 1/2" NC X 1-1/4" HEX HD CAP	1
26	9041401	SCREW, 1/2" NC X 1" HEX HD CAP	2
27	9045059	LOCKWASHER, 1/2"	3
28	9012501	GREASE NIPPLE, 1/4"-28	4
29	9012532	GREASE NIPPLE, 1/8" NPT	6
30	9046315	ROLL PIN, 3/16" X 1-3/4"	2
31	9041403	SCREW, 1/2 NC X 1-1/2" HEX HD CAP	1

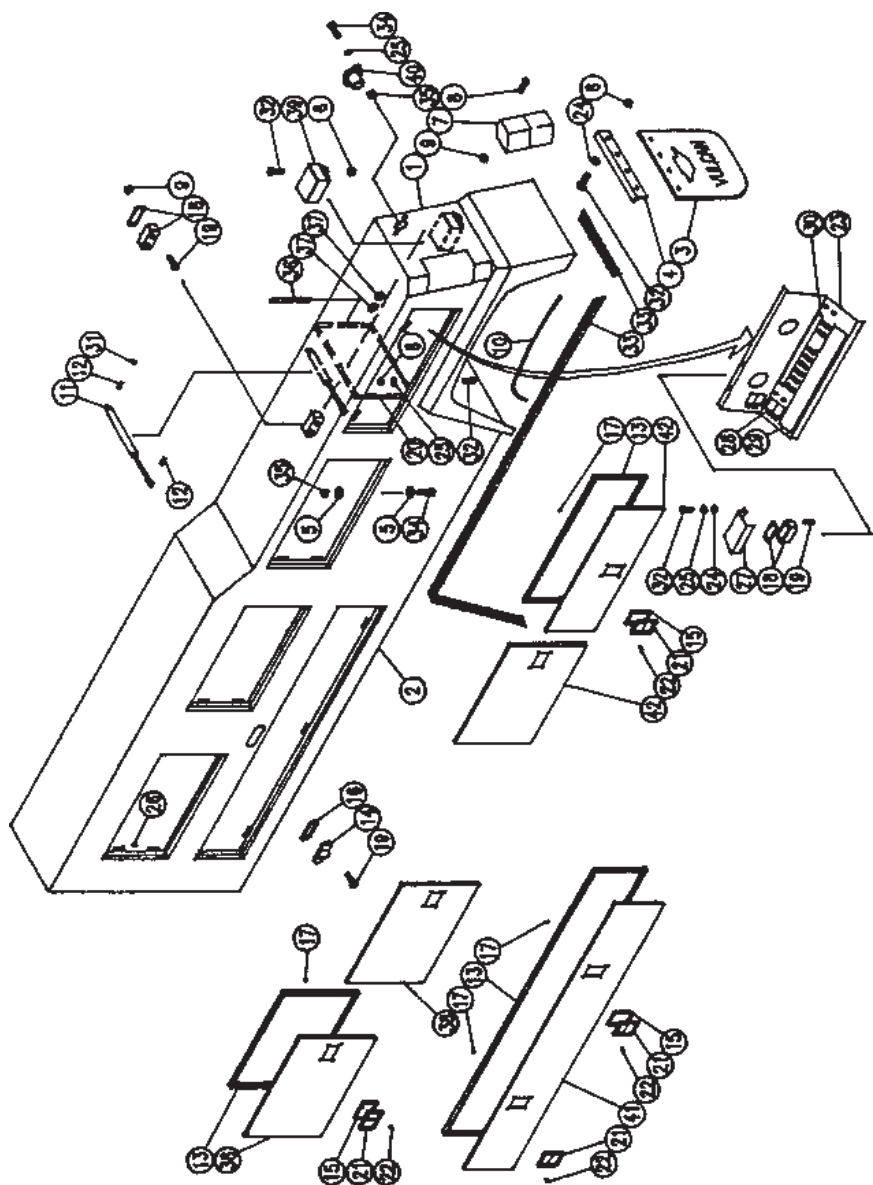
FIG 4. 915040000. WINCH ASSEMBLY



**FIG 4. 915040000. WINCH ASSEMBLY**

ID NO	PART NO	DESCRIPTION	QTY
1	9048649	WINCH-DP, 20,000 LB.	2
2	9018141	DIAPHRAGM CYLINDER	2
3	915040600	CABLE TENSIONER PLATE	2
4	915040700	ROPE TENSIONER MOUNTING BRACKET	2
5	92090008	PIVOT PIN	2
6	9053510	NYLON BEARING	4
7	9048450	YOKE, 1/2'-20 X 1-34"	2
6	9046545	YOKE PIN	2
9	9046035	COTTER PIN	2
10	9043204	NUT, 7/16" NC HEX	4
11	9044479	SCREW, 5/8" NC X 1-34" HEX HD CAP	24
12	9045061	LOCKWASHER, 5/8"	24
13	9043379	NUT, 5/8" NC	24
14	9046313	ROLL PIN, 3/16" X 1-1/2"	2

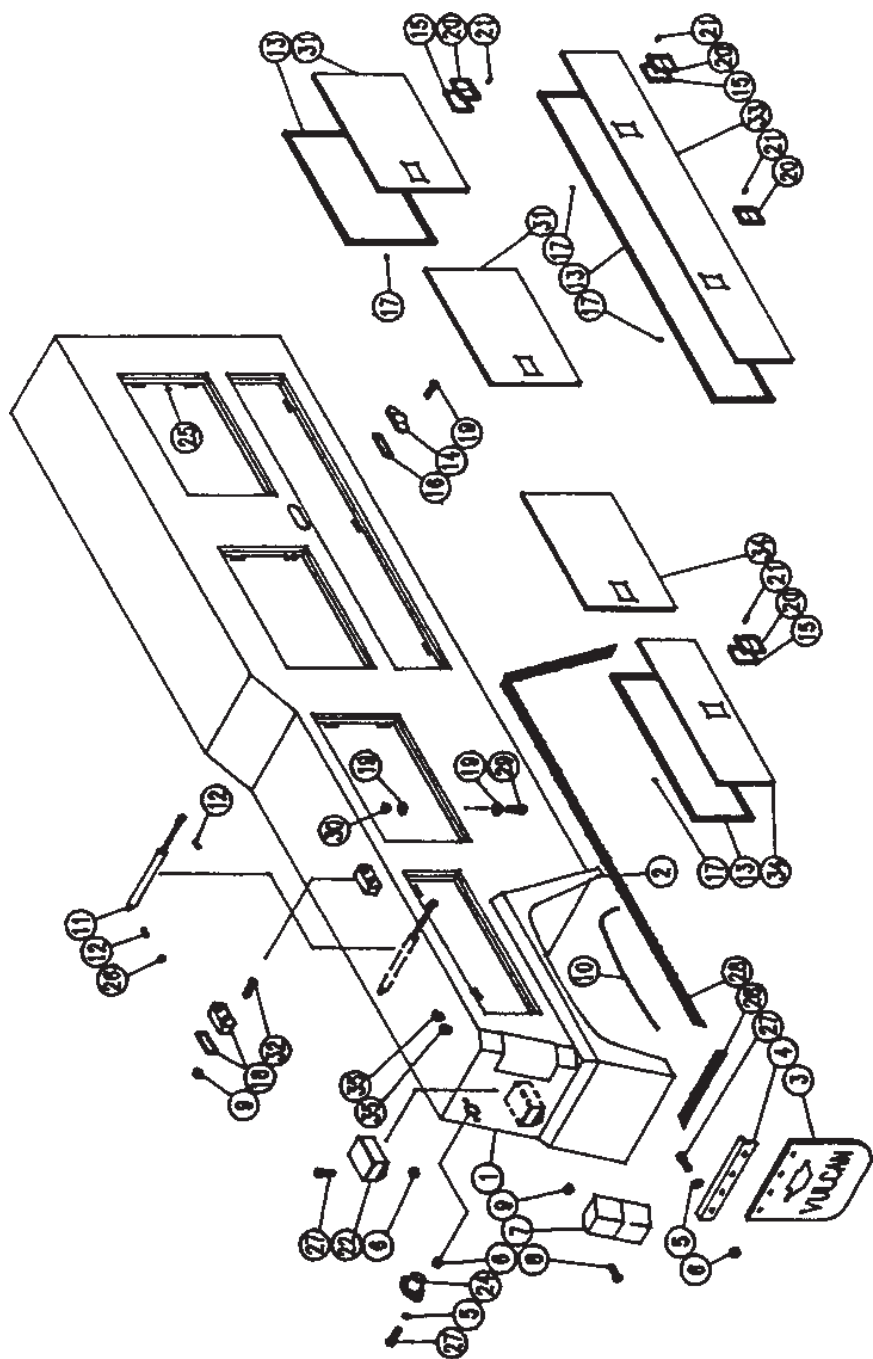
FIG 5. 945400000. TOOL BOX, LEFT HAND



**FIG 5. 945400000. TOOL BOX, LEFT HAND**

ID NO	PART NO	DESCRIPTION	QTY
1	945400500	TOOL BOX CASING	1
2	945070500	FENDER WELL	1
3	94320052	MUD FLAP	1
4	920400005	PLATE, MUD FLAP	1
5	9045204	WASHER, 5/16" FLAT	40
6	9043319	NUT, 1/4"-20 NYLOK HEX	13
7	9025087	TAIL LIGHT ASSEMBLY	2
8	9042312	SCREW, 10-32 X 1-1/4" RD MACH SS	8
9	9043012	NUT, 10-32 HEX SS	20
10	9032096	DECORATIVE TRIM	11'
11	9048589	GAS STRUT, 90 PSI	2
12	9048175	BALL STUD (FOR GAS STRUT)	4
13	9032157	WEATHER STRIP (FOR DOORS)	50'
14	9025120	SIDE CLEARANCE LIGHT, AMBER, TURN	1
15	9032155	RUBBER GASKET (DOOR HANDLE)	6
16	9025107	RUBBER GROMMET (MARKER LIGHT)	1
17	9043395	#8-32 NYLOK NUT	24
18	9025073	COMPARTMENT LIGHT	6
19	9043827	#10-32 X 5/8" PAN HD SCREW	12
20	920400514	REMOVABLE WALL PANEL	1
21	9048147	DOOR HANDLE	6
22	9043980	ONE WAY SCREW #8-32 X 3/4"	24
23	920400001	DIR. CONTROL VALVE COVER	1
24	9045302	FLAT WASHER 1/4"	5
25	9043002	LOCKWASHER 1/4"	8
26	9012501	GREASE NIPPLE 1/4"-28	10
27	920400004	LIGHT PANEL	1
28	9033225	DECAL SWITCHES	1
29	9033530	DECAL-DIR. CONT. VALVE	1
30	9033236	DECAL-BEHIND DIR. CONT. VALVE	1
31	9045056	LOCKWASHER 5/16"	4
32	9041003	HEX HD CAP SCREW 1/4"-20 X 3/4" LG	13
33	9061802	RUBBER STRIP 3/32" X 1-1/4"	11
34	9041105	HEX HD CAP SCREW 5/16"NC X 1"	20
35	9043334	NYLON HEX NUT 5/16"NC	20
36	9032113	RUBBER SEAL-EDGE STRIP	18"
37	9032049	RUBBER GROMMET	2
38	94500700	TOP DOOR	2
39	9022537	ELECTRICAL JUNCTION BOX	1
40	9023085	ELECTRICAL CONNECTOR 7-PIN FEM	1
41	945400600	BOTTOM DOOR	1
42	920400600	REAR DOOR	2

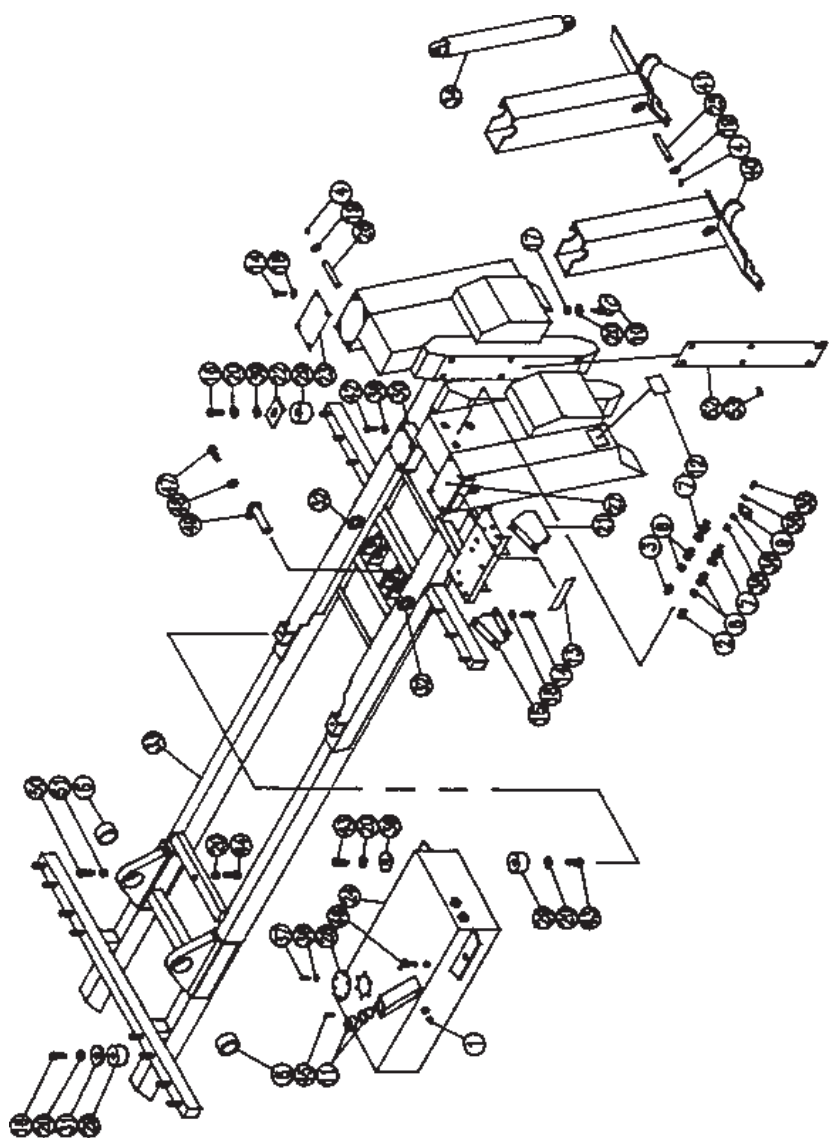
FIG 6. 945407000. 160" TOOL BOX, RH



**FIG 6. 945407000. 160" TOOL BOX, RH**

ID NO	PART NO	DESCRIPTION	QTY
1	945402500	TOOL CASING	1
2	945077500	FENDER WELL	1
3	74320052	MUD FLAP	1
4	9240400005	MUD FLAP PLATE	1
5	9045302	1/4" FLAT WASHER	5
6	9043319	NYLON HEX NUT 1/4"-20	11
7	9025087	TAIL LIGHT ASSEMBLY	2
8	9042312	RD HD MACH SCR 10-32 X 1-1/4" SS	8
9	9043012	HEX NUT #10-32 SS	10
10	9032096	DECORATIVE TRIM	11'
11	9048589	GAS STRUT 90 PSI	2
12	9048175	BALL STUD (FOR GAS STRUT)	4
13	9032157	WEATHER STRIP (DOORS)	50'
14	9025120	SIDE CLEARANCE LIGHT, AMBER, TURN	1
15	9032155	RUBBER GASKET (DOOR HANDLE)	6
16	9025107	RUBBER GROMMET(MARKER LIGHT)	1
17	9043395	#8-32 NYLON NUT	24
18	9025073	COMPARTMENT LIGHT	6
19	9045204	5/16" FLAT WASHER	40
20	9048147	DOOR HANDLE	6
21	9043980	ONE WAY SCREW #8-32 X 3/4"	24
22	9022537	ELECTRICAL JUNCTION BOX	1
23	9023053	ELECTRIC CONNECTOR-9 PIN FEMALE	1
24	9023085	ELECTRIC CONNECTOR-7 PIN FEMALE	1
25	9012501	GREASE NIPPLE 1/4"-28	10
26	9045056	LOCKWASHER 5/16"	4
27	9041003	HEX HD CAP SCR 1/4"-20 X 3/4"LG	11
28	9061802	RUBBER STRIP 3/32" X 1-1/4"	11'
29	9041105	HEX HD CAP SCREW 5/16"NC X 1"	20
30	9043334	NYLON HEX NUT 5/16"NC	20
31	945400700	TOP DOOR	2
32	9043827	#10-32 X 5/8" PAN HD SCREW	12
33	945400600	BOTTOM DOOR	1
34	920400600	REAR DOOR	2
35	9032049	RUBBER GROMMET	2

FIG 7. 915020000. SUBFRAME ASSEMBLY

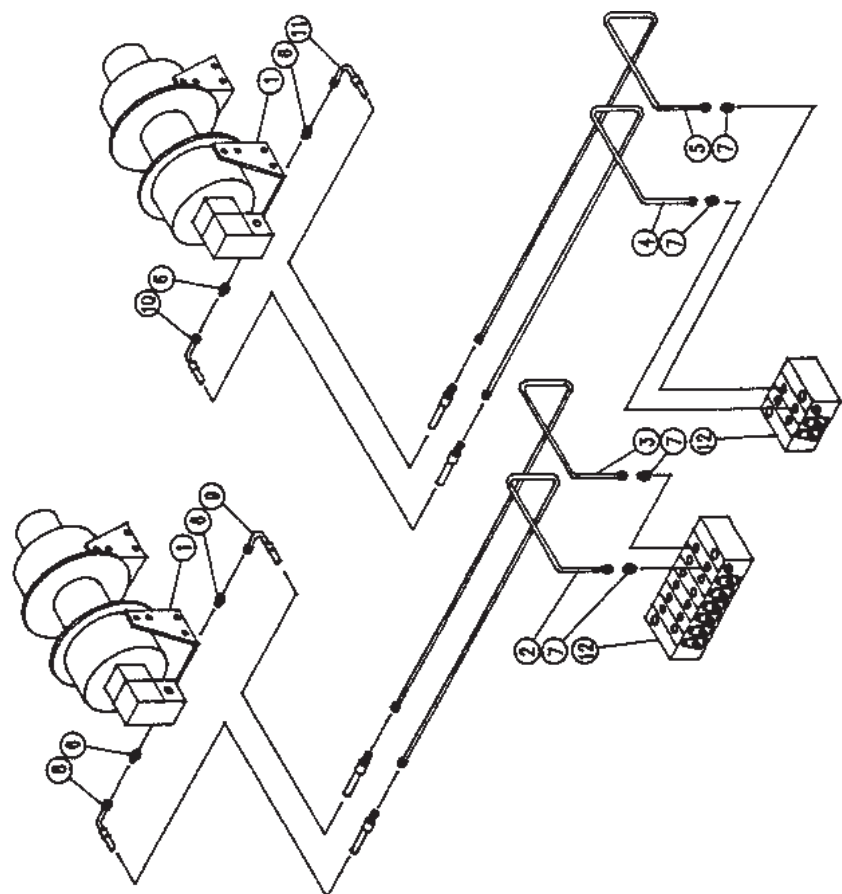




## FIG 8. SUBFRAME HYDRAULICS

ID NO	PART NO	DESCRIPTION	QTY
1	915760001	HYDRAULIC TUBE	1
2	915760015	HYDRAULIC TUBE	1
3	915760014	HYDRAULIC TUBE	1
4	915720020	HYDRAULIC TUBE	1
5	9012565	916"-18JIC X 9/16" SAE MALE	2
6	9012592	1/4"NPT X 6JIC ADAPTER	2
7	9012913	3/4" PIPE PLUG (MAGNETIC)	1
8	9013031	FITTING (SPECIAL)	2
9	9012586	1-1/16"-12 SAE X 1-1/16" JIC MALE	2
10	9012828	1" 90° STR ELBOW	2
11	9012962	1-5/16"-12SAE X 1"NPT ADAPTER	2
12	9012927	1"NPT X 1-1/4" HOSE BARB	2
13	9012881	1-1/4"NPT X 1-1/4" HOSE BARB	2
14	9014628	1-1/4"NPT CLOSE NIPPLE	4
15	9015571	1-1/4"NPT BALL VALVE	2
16	9012944	1"NPT SOCKET HD PIPE PLUG	1
17	9011011	1/4"NPT PIPE PLUG	1
18	9401414	1-1/4" STRAINER PIPE	2
19	9018139	STRAINER	2
20	9401418	OIL LEVEL STICK	1
21	915780500	HYDRAULIC TANK	1
22	9013021	1-1/4"NPT X 1-5/16"-12 JIC ADAPTER	2
23	9012571	1-1/16" SAE X 1"-5/16"-12 JIC 90°	2
24	915700002	DIRECTIONAL CONTROL VALVE	1
25	920981602	HOSE ASSEMBLY	2
26	915770015	HOSE ASSEMBLY	2
27	920982001	HOSE ASSEMBLY	2
28	9070087	1-1/4" RETURN HOSE	2
29	9016705	HYDRAULIC PUMP	1
30	9018140	OIL FILTER	2
31	9019043	PRESSURE GAUGE	2

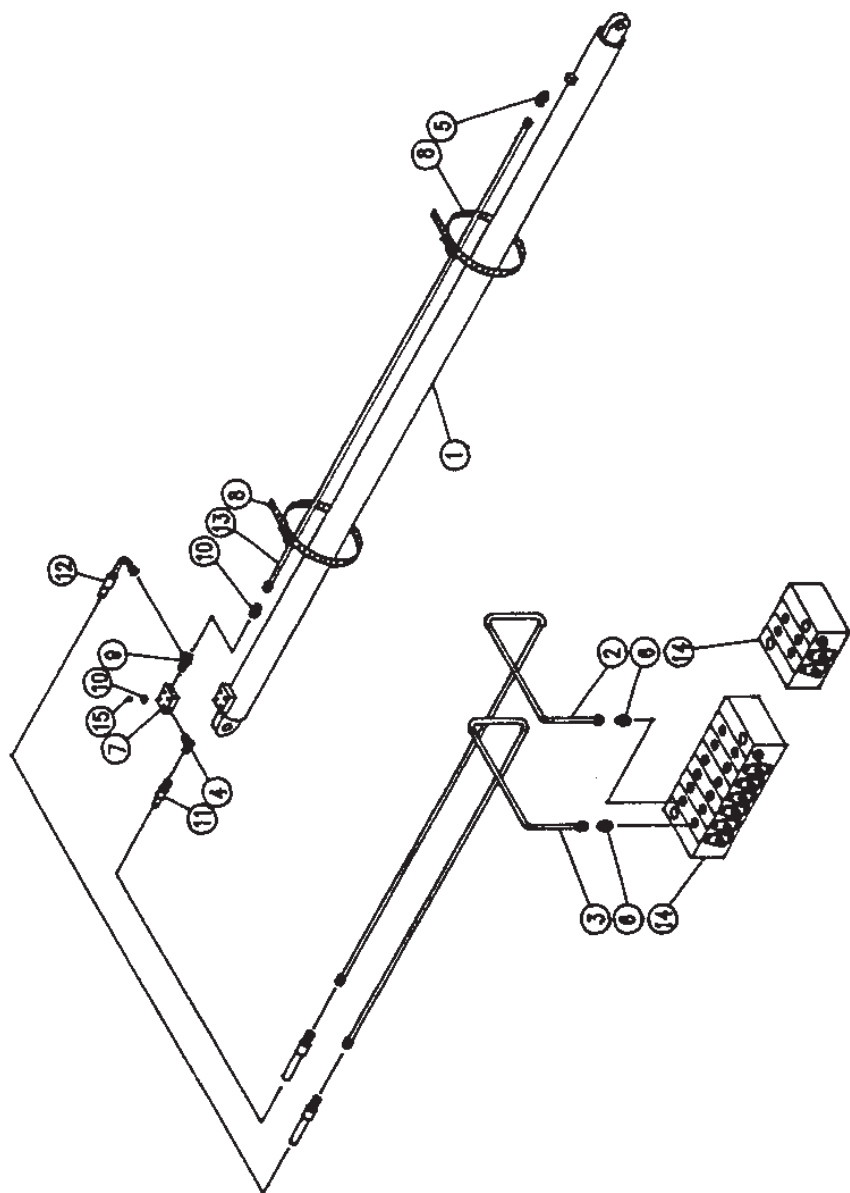
FIG 9. WINCH HYDRAULICS



**FIG 9. WINCH HYDRAULICS**

ID NO	PART NO	DESCRIPTION	QTY
1	9048649	WINCH DP 20,000 LB	2
2	915760012	HYDRAULIC TUBE	1
3	915760013	HYDRAULIC TUBE	1
4	915760018	HYDRAULIC TUBE	1
5	915760019	HYDRAULIC TUBE	1
6	9012129	3/4"-16JIC X 3/4"-16SAE	4
7	9012976	8 JIC X 10 SAE MALE ADAPTER	4
8	915770013	HOSE ASSEMBLY	1
9	915770012	HOSE ASSEMBLY	1
10	915770010	HOSE ASSEMBLY	1
11	915770011	HOSE ASSEMBLY	1
12	915700002	HOSE ASSEMBLY	1

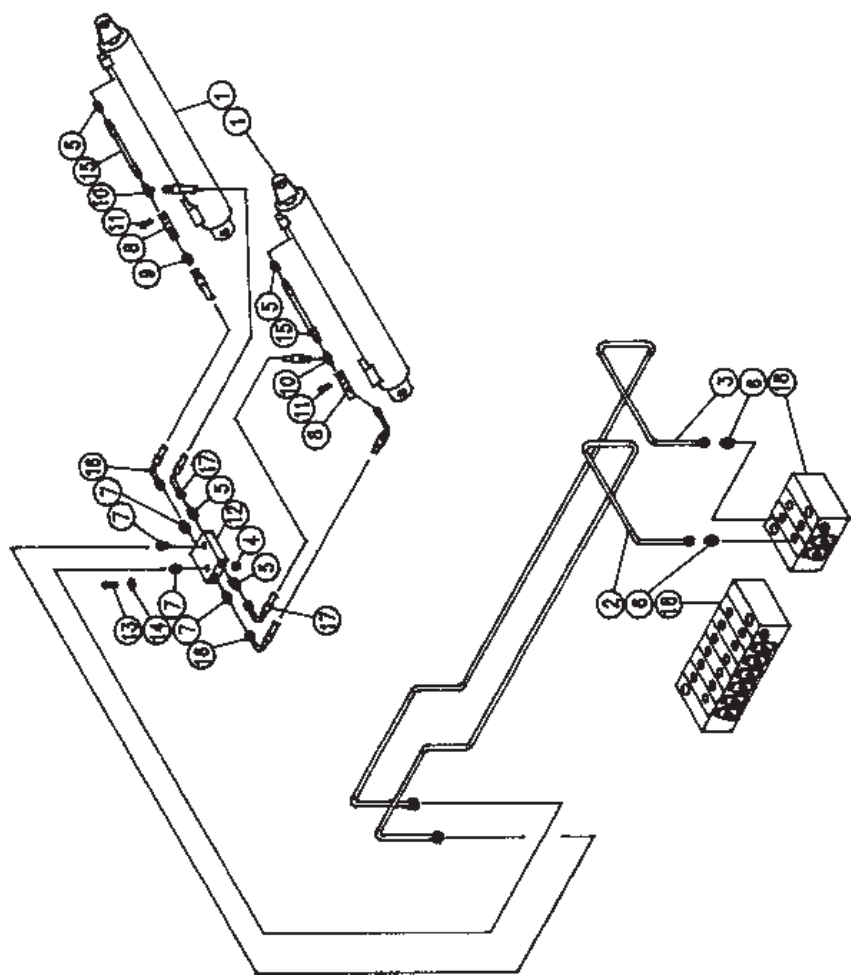
FIG 10. BOOM EXTENSION CYLINDER HYDRAULICS



**FIG 10. BOOM EXTENSION CYLINDER HYDRAULICS**

ID NO	PART NO	DESCRIPTION	QTY
1	915710000	EXTENSION CYLINDER	1
2	915760003	HYDRAULIC TUBE	1
3	915760002	HYDRAULIC TUBE	1
4	9012593	9/16"-18JIC X 9/16"-18JIC	1
5	9012129	3/4"-16JIC X 3/4"-16SAE	1
6	9012976	8 JIC X 10 SAE MALE ADAPTER	2
7	9015718	HOLDING VALVE	1
8	9018058	HOSE CLAMP #96	2
9	9012994	9/16"-18 X 9/16" SAE TEE	1
10	9043002	1/4" LOCKWASHER	3
11	915770015	HOSE ASSEMBLY	1
12	915770014	HOSE ASSEMBLY	1
13	915770016	HOSE ASSEMBLY	1
14	915700002	DIRECTIONAL CONTROL VALVE	1
15	9041008	1/4" NC X 1-3/4" HEX HD CAP SCREW	3

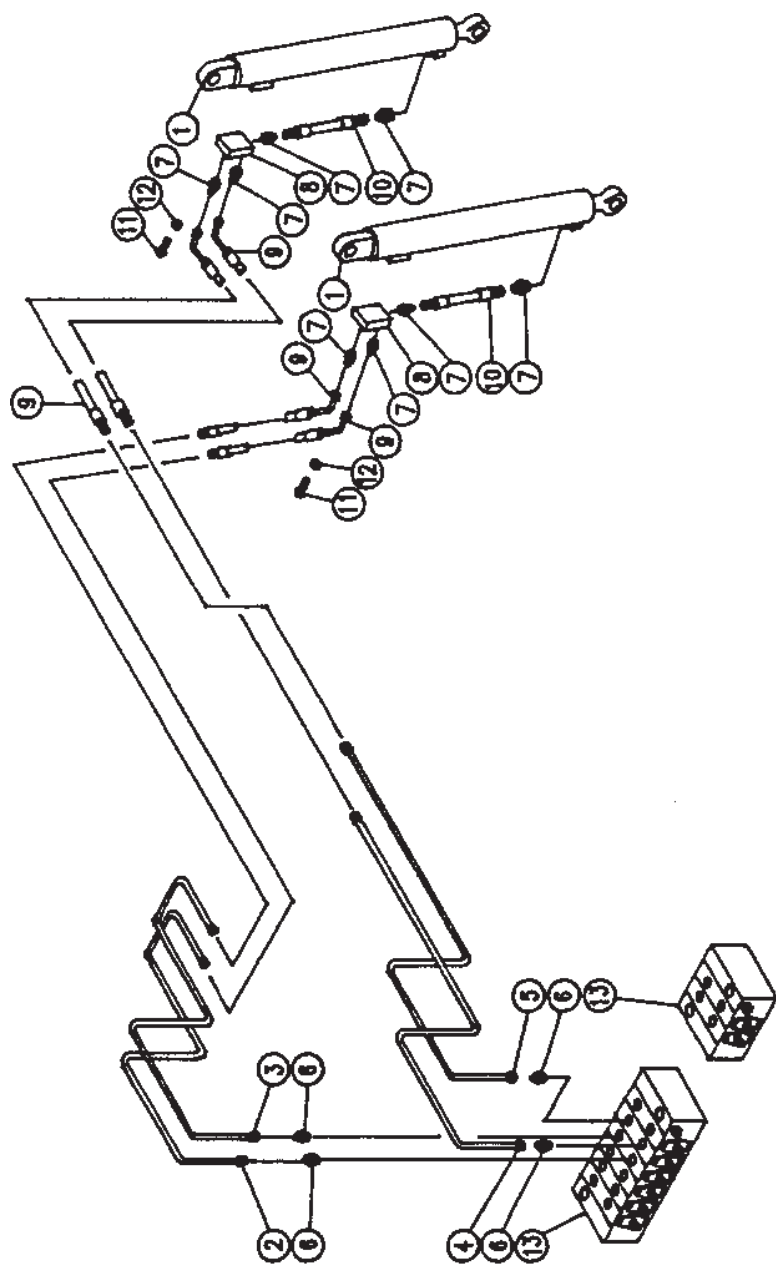
FIG 11. LIFT CYLINDER HYDRAULICS



## FIG 11. LIFT CYLINDER HYDRAULICS

ID NO	PART NO	DESCRIPTION	QTY
1	915730000	LIFT CYLINDER	2
2	915760016	HYDRAULIC TUBE	1
3	915760017	HYDRAULIC TUBE	1
4	9043319	1/4" NC NYLOK NUT	2
5	9012565	9/16"-18JIC X 9/16 SAE MALE	4
6	9012976	3/4"-16JIC X 7/8" SAE CONNECTOR	2
7	9013020	3/4"-16JIC X 9/16" SAE MALE ADAPTER	4
8	9015739	HOLDING VALVE	2
9	9011649	3/8"NPT X 3/4" STRAIGHT ADAPTER	1
10	9012594	9/16"-18JIC X 9/16"-18 SAE	2
11	9041008	1/4"NC 1-1/4" HEX HD CAP SC	8
12	9018271	TRANSITION BLOCK	1
13	9041009	1/4"NC X 2" HEX HD CAP SC	2
14	9043002	1/4" LOCK WASHER	6
15	915770004	HOSE ASSEMBLY	2
16	915770002	HOSE ASSEMBLY	2
17	915770003	HOSE ASSEMBLY	2
18	915770002	DIRECTIONAL CONTROL VALVE	1

FIG 12. STIFF LEG HYDRAULICS

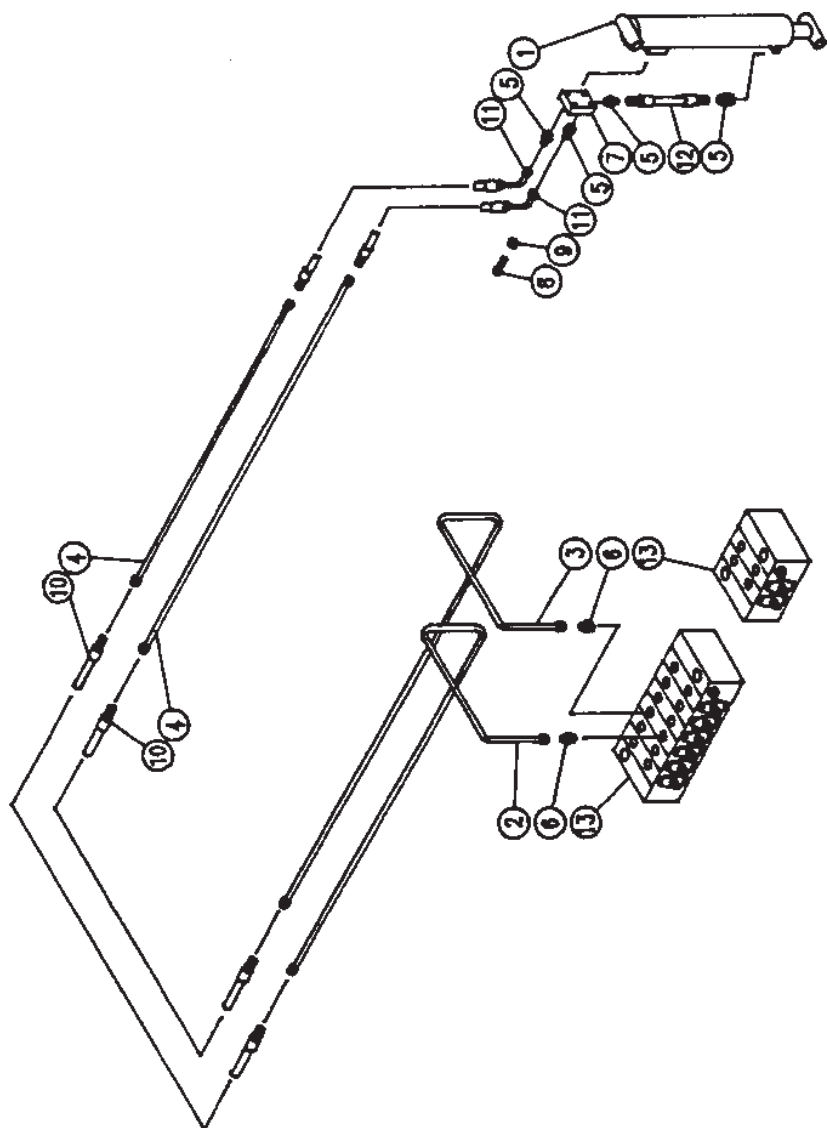




**FIG 12. STIFF LEG HYDRAULICS**

ID NO	PART NO	DESCRIPTION	QTY
1	915750000	STIFF LEG CYLINDER	2
2	915760008	HYDRAULIC TUBE	1
3	915760009	HYDRAULIC TUBE	1
4	915760010	HYDRAULIC TUBE	1
5	915760011	HYDRAULIC TUBE	1
6	9012173	10SAE X 6JIC MALE ADAPTER	4
1	9012565	9/16"-18JIC X 9/16" SAE MALE	8
8	9015738	HOLDING VALVE	2
9	915770005	HOSE ASSEMBLY	4
10	915770006	HOSE ASSEMBLY	2
11	9041011	1/4"NC X 2-1/2" HEX HD CAP SCREW	8
12	9045055	1/4" LOCKWASHER	8
13	915700002	DIRECTIONAL CONTROL VALVE	

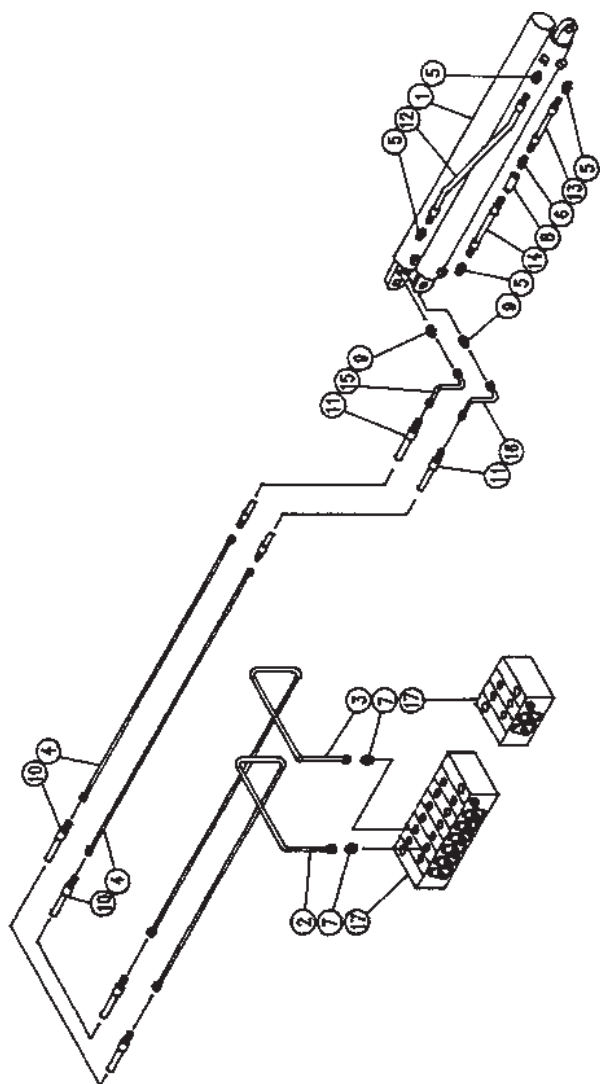
FIG 13. UNDERLIFT TILT HYDRAULICS



**FIG 13. UNDERLIFT TILT HYDRAULICS**

<b>ID NO</b>	<b>PART NO</b>	<b>DESCRIPTION</b>	<b>QTY</b>
1	915740000	TILT CYLINDER	1
2	915760006	HYDRAULIC TUBE	1
3	915760007	HYDRAULIC TUBE	1
4	915760021	HYDRAULIC TUBE	2
5	9012565	9/16"-18JIC X 9/16" SAE MALE	4
6	9012976	3/4"-16JIC X 7/8" SAE CONNECTOR	2
7	9015738	HOLDING VALVE	1
8	9041011	1/4"NC X 2-1/2"- HEX HD CAP SCREW	4
9	9045055	1/4 LOCKWASHER	4
10	915770001	HOSE ASSEMBLY	2
11	915770008	HOSE ASSEMBLY	2
12	915770007	HOSE ASSEMBLY	1
13	915700002	DIRECTIONAL CONTROL VALVE	1

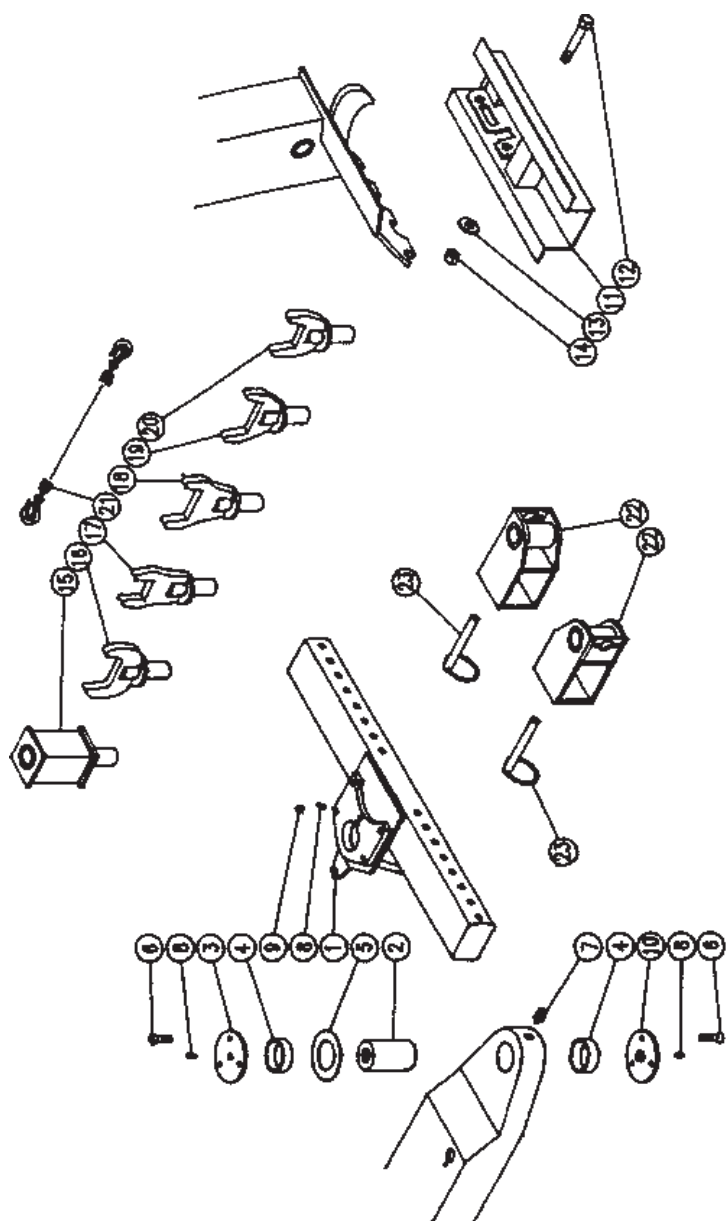
FIG 14. UNDERLIFT EXTENSION HYDRAULICS



**FIG 14. UNDERLIFT EXTENSION HYDRAULICS**

ID NO	PART NO	DESCRIPTION	QTY
1	915720000	UNDERLIFT EXTENSION CYLINDER	1
2	915760004	HYDRAULIC TUBE	1
3	915760005	HYDRAULIC TUBE	1
4	915760021	HYDRAULIC TUBE	2
5	9012565	9/16-18JIC X 9/16" SAE MALE	4
6	9012129	3/4"-16JIC X 3/4"-16 SAE	1
7	9012976	3/4"-16JIC X 7/8" SAE	2
8	9048397	THROTTLE VALVE	1
9	9012510	9/16SAE X 3/8 TUBE COMPRESSION	2
10	915770001	HOSE ASSEMBLY	2
11	915770024	HOSE ASSEMBLY	2
12	915770021	HOSE ASSEMBLY	1
13	915770023	HOSE ASSEMBLY	1
14	915770022	HOSE ASSEMBLY	1
15	915760022	HYDRAULIC TUBE (UPPER)	1
16	915760023	HYDRAULIC TUBE (LOWER)	1
17	915700002	DIRECTIONAL CONTROL VALVE	1

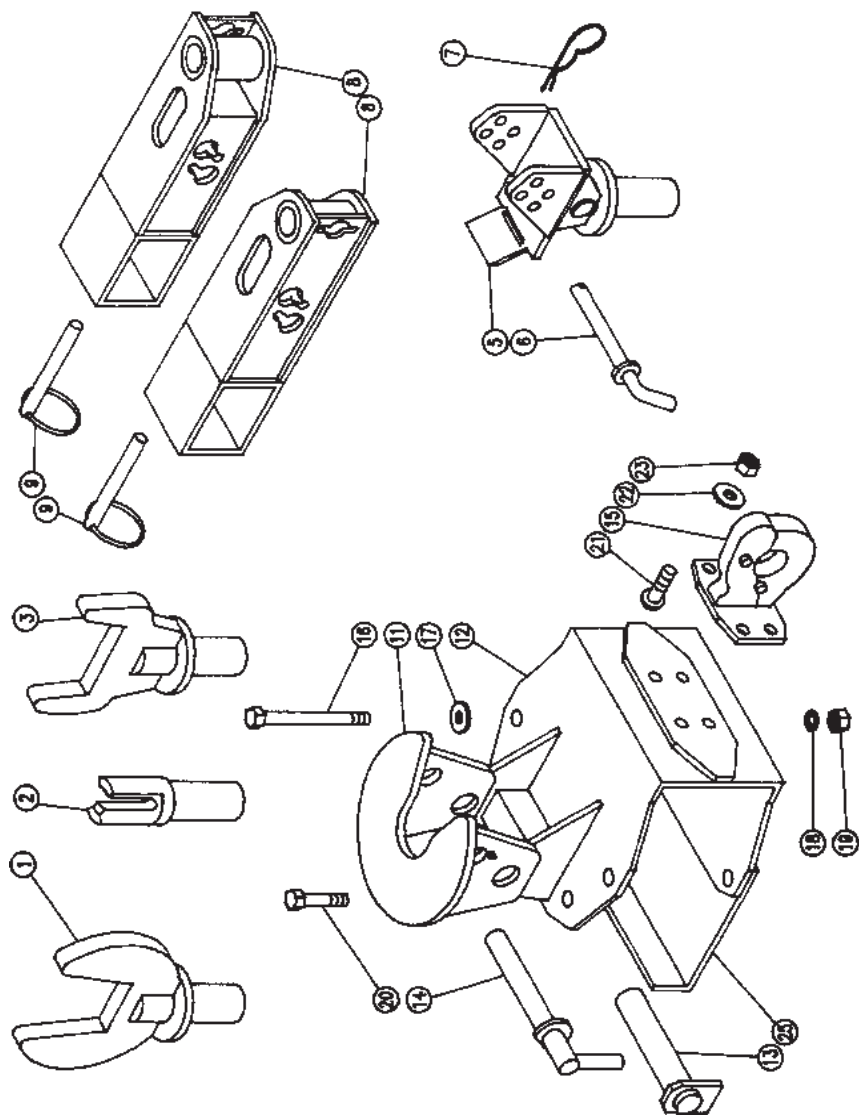
FIG 15. LIFT BAR ASSEMBLY & STANDARD TOOLS



**FIG 15. LIFT BAR ASSEMBLY & STANDARD TOOLS**

ID NO	PART NO	DESCRIPTION	QTY
1	945510500	STANDARD LIFT BAR	1
	945590500	LONG LIFT BAR	1
2	945350004	PIVOT PIN	1
3	945511000	TOP COVER	1
4	9052032	BUSHING 4"OD X 3 1/2"ID	2
5	915150001	THRUST WASHER	1
6	9043800	1/2"NC X 3/4" FLAT HD C'SUNK SCREW	6
7	9044170	1"NC X 1-1/2"LG SOCKET HD SET SCREW	1
8	9012532	1/8"NPT GREASE NIPPLE	3
9	9044151	3/4"NC X 3/4" SOCKET HD SET SCREW	4
10	945511100	BOTTOM COVER	1
11	945550500	STIFFLEG PAD-STABILIZER LH	1
	945557500	STIFFLEG PAD STABILIZER RH	1
12	9043944	HEX HD CAP SCREW 3/4"NC X 2-1/2" LG	2
13	9045063	LOCKWASHER 3/4"	2
14	9043132	HEX NUT 3/4"NC	2
15	945531100	FORK STAND	2
16	945539000	FORK 6-3/4" CURVED	2
17	945536000	FORK 3" HIGH	2
18	945533000	FORK 4" HIGH	2
19	945534000	FORK 4" LOWER	2
20	945535000	FORK 3" LOWER	2
21	9048449	SAFETY CHAIN 1/2" X 10" ALLOY	2
22	945501000	FORK HOLDER	2
23	9046570	LOCK PIN	2

FIG 16. OPTIONAL EQUIPMENT

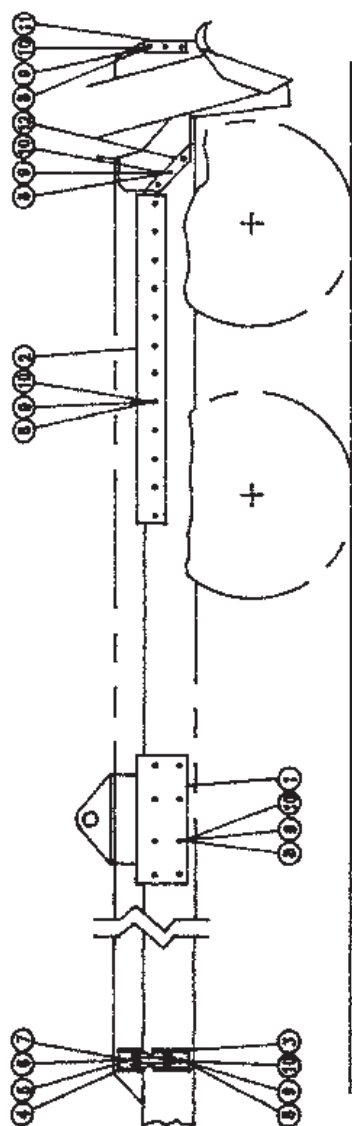




## FIG 16. OPTIONAL EQUIPMENT

ID NO	PART NO	DESCRIPTION	QTY
1	945538000	FORK 3" TAPERED	2
2	945532000	CHAIN FORK	2
3	945537000	FORK 9" MIXER	2
4	945242500	SPRING FORK ASSEMBLY (INCLUDES ITEMS 17,18,19)	2
5	945530600	SPRING FORK	1
6	9402840	PIN	1
7	9048061	HITCH PIN	1
8	945505000	EXTENDED FORK HOLDER	2
9	9046570	LOCK PIN	2
10	945610000	5TH WHEEL/PINTLE HOOK ADAPTER (INCLUDES ITEMS 11 THRU 25)	1
11	545611000	5TH WHEEL BRACKET	1
12	945610500	ADAPTER BRACKET	1
13	945612500	PIVOT PIN	1
14	945612000	LOCK PIN	1
15	9048775	PINTLE HOOK	1
16	9046579	3/4" NC X 10- GR8 HEX HD CAP SC 2	2
17	9045359	3/4" SAE FLAT WASHER	2
18	9045063	3/4" LOCK WASHER	2
19	9043321	3/4" NC LOCK NUT	2
20	9043985	3/4" NC X 2" GR8 HEX HD CAP SC	2
21	9046582	1/2" X 2-1/4" FLAT HD CAP SC	4
22	9045356	1/2" SAE FLAT WASHER	4
23	9043311	1/2" LOCK NUT	4
24	9032002	RUBBER GRIP	1
25	945610001	ANTI-TURN PLATE	1

FIG 17. CHASSIS MOUNTING ASSEMBLY

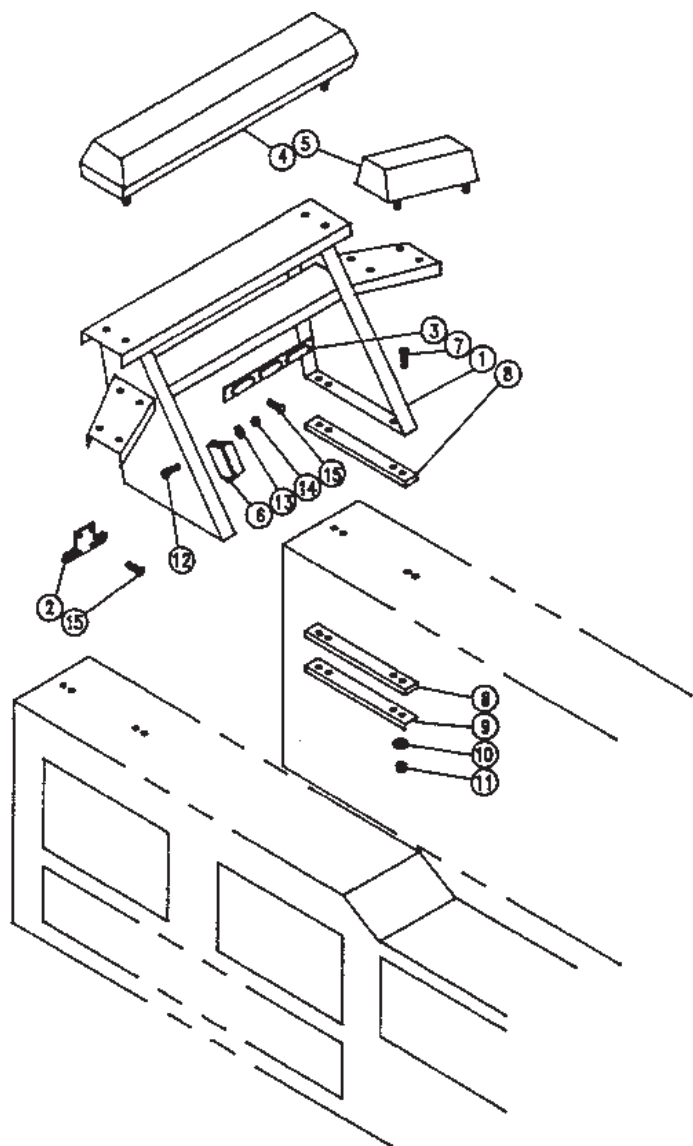


CHASSIS MOUNTING ASSEMBLY

**FIG 17. CHASSIS MOUNTING ASSEMBLY**

ID NO	PART NO	DESCRIPTION	QTY
1	9401501	INTERMEDIATE MOUNTING PLATE	2
2	920000501	REAR MOUNTING PLATE	2
3	5401530	FRONT LOWER MOUNTING. BRACKET	2
4	9401540	FRONT UPPER MOUNTING. BRACKET	2
5	9044454	GR8 3/4" LONG X 7" HEX HD CAP SCR	2
6	9045359	FLAT WASHER 3/4"SAE	4
7	9043321	NYLOK NUT 3/4" LONG	2
8	9045358	FLAT WASHER 5/8 SAE	52
9	9045356	NYLOK WASHER 5/8"-11NC	52
10	9043974	GR8 5/8"-11NC X 2-1/4" HEX HD CP SC	52
11	9400116	REAR SPACER (AS NEEDED)	2
12	9400117	FRONT SPACER (AS NEEDED)	2

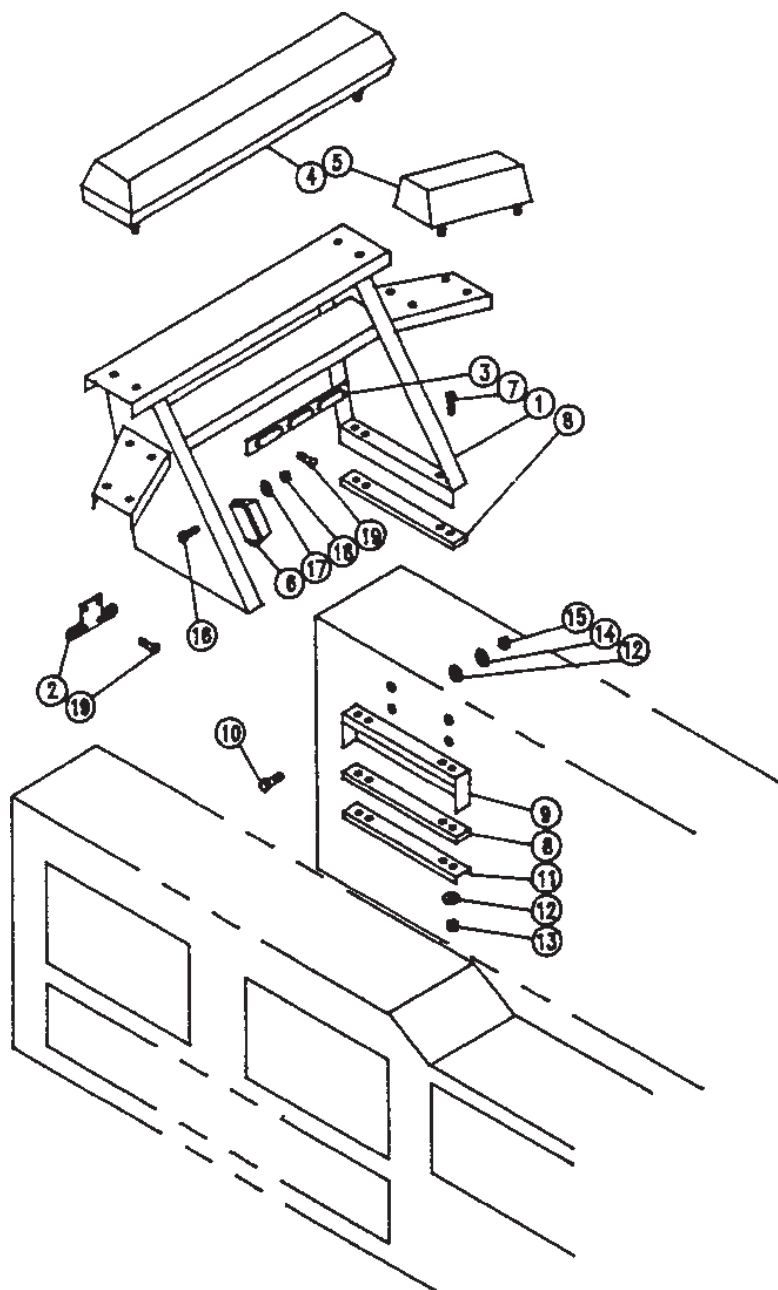
FIG 18. 945160000. LIGHT PYLON ASSEMBLY (TOP MOUNT)



**FIG 18. 945160000. LIGHT PYLON ASSEMBLY (TOP MOUNT)**

ID NO	PART NO	DESCRIPTION	QTY
1	945160500	LIGHT PYLON ASSEMBLY	1
2	9025062	LICENSE PLATE LAMP	1
3	9025006	3 CLUSTER LIGHT BAR	1
4	N/A	LIGHT BAR LONG (OPTIONAL)	1
5	N/A	LIGHT BAR SIDE'S (OPTIONAL)	2
6	9022537	ELECTRICAL JUNCTION BOX	1
7	9041406	HEX HD CAP SCREW 1/2"-13 X 2-1/2"	8
8	9402416	RUBBER STRIP	4
9	9402415	U-CHANNEL	2
10	9045235	FLAT WASHER BS PLATED	8
11	9043311	HEX NYLOK WASHER 1/2'-13	8
12	9041105	HEX HD CAP SCREW 5/16"NC X 1" LG	2
13	9045056	LOCKWASHER 5/16" 8S	2
14	9043126	NUT 5/16- NC	2
15	9043827	PAN HD TAP SCREW. 10/32 X 5/8 LG	6

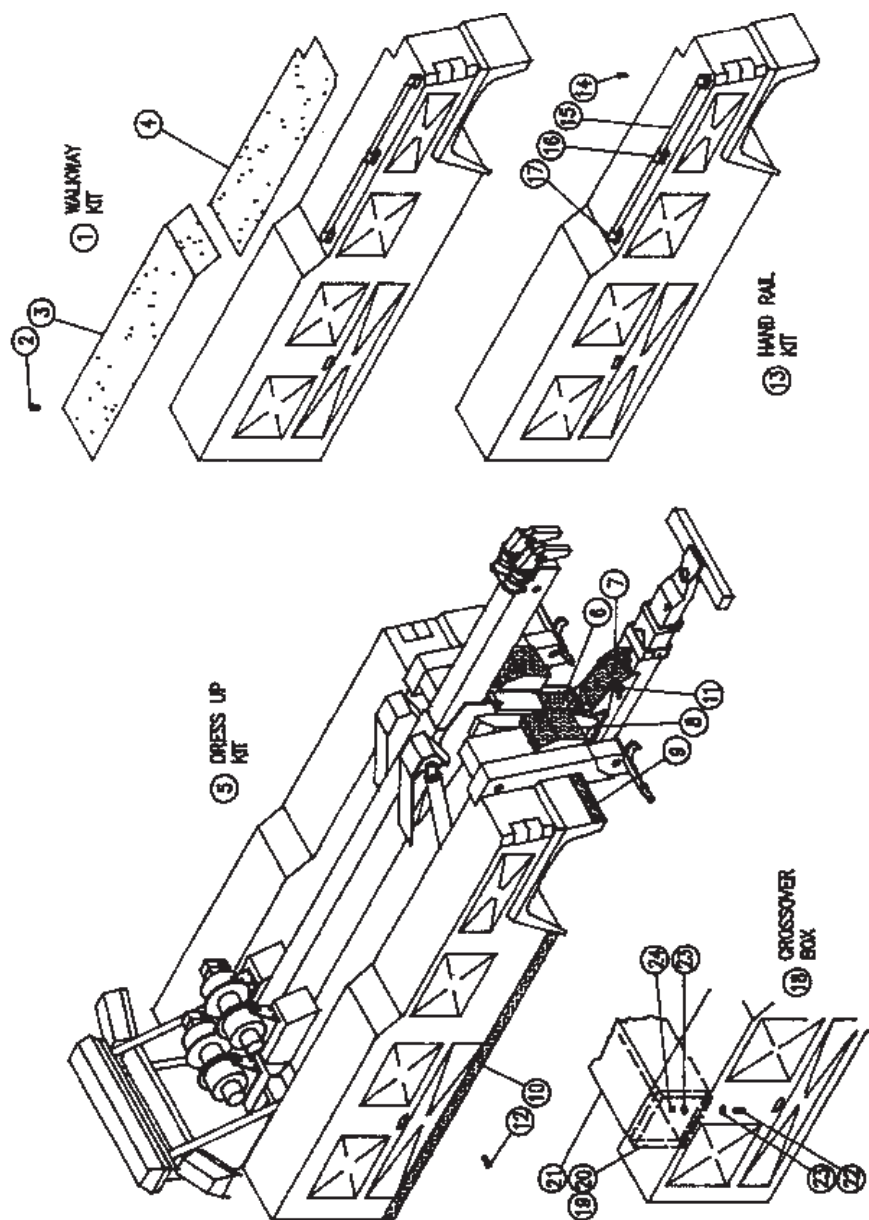
FIG 19. 9402400. LIGHT PYLON ASSEMBLY



**FIG 19. 9402400. LIGHT PYLON ASSEMBLY**

ID NO	PART NO	DESCRIPTION	QTY
1	9402410	LIGHT PYLON ASSEMBLY	1
2	9025062	LICENSE PLATE LAMP	1
3	9025006	3 CLUSTER LIGHT BAR	1
4	N/A	LIGHT BAR LONG (OPTIONAL)	1
5	N/A	LIGHT BAR SIDE'S (OPTIONAL)	2
6	9022537	ELECTRICAL JUNCTION BOX	1
7	9041406	HEX HD CAP SCREW 1/2-13 X 2-1/2"LG	8
8	9402416	RUBBER STRIP	4
9	9402413	SUPPORT-LIGHT PYLON	2
10	9041403	HEX HD CAP SCREW. 1/2-13 X 1-1/2"	8
11	9402415	U-CHANNEL	2
12	9045235	FLAT WASHER 1/2-BS PLATED	8
13	9043311	HEX NYLOK WASHER 1/2'-13	8
14	9045059	LOCKWASHER 1/2"BS	8
15	9043129	NUT 1/2"NC	8
16	9041105	HEX HD CAP SCREW 5/16"NC X 1- LG	2
17	9045056	LOCK WASHER 5/16- BS	2
18	9043126	NUT 5/16- NC	2
9	9043827	PAN HD TAP SCREW 10/32 X 5/8 LG	6

FIG 20. OPTIONAL EQUIPMENT

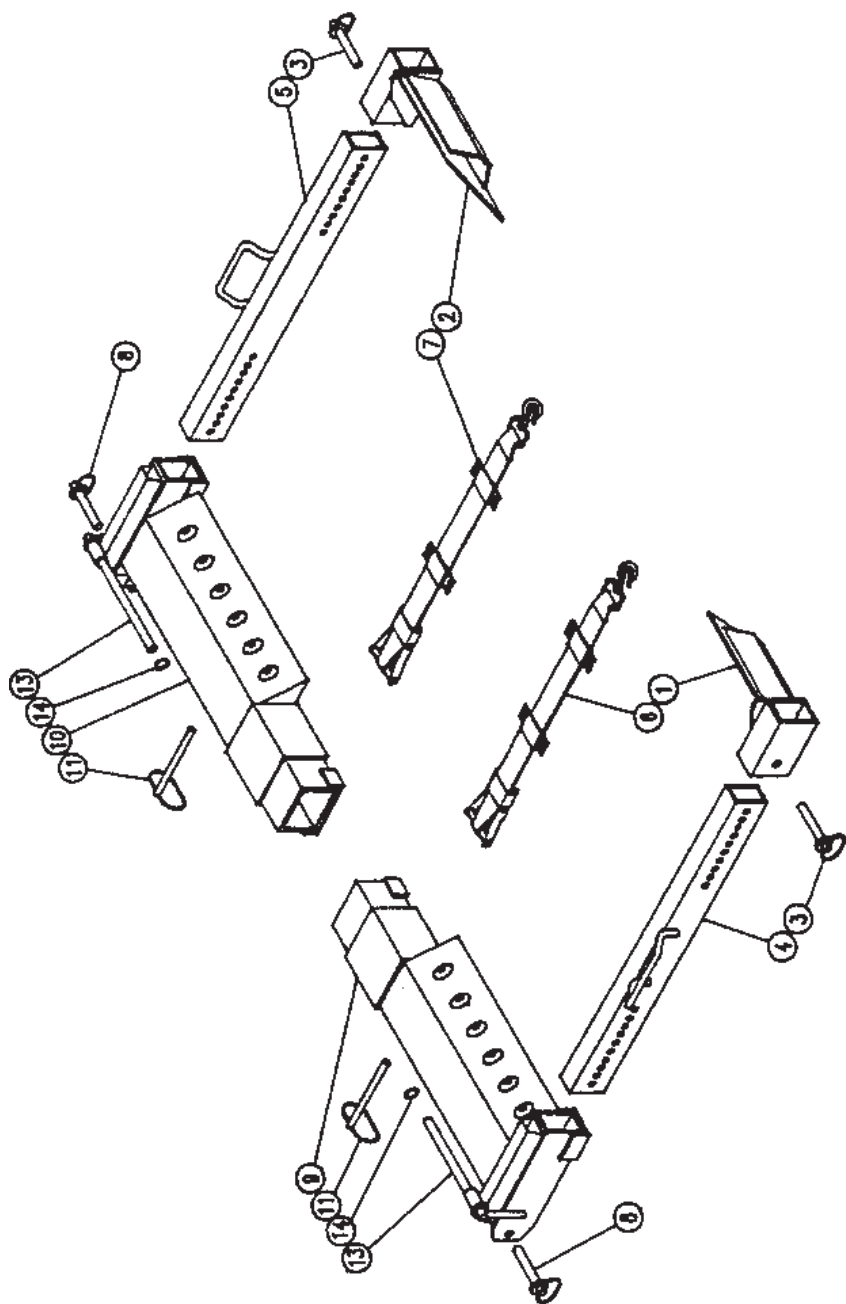




## FIG 20. OPTIONAL EQUIPMENT

ID NO	PART NO	DESCRIPTION	QTY
1	915960000	WALKWAY KIT OPTION 156"	1
	915970000	WALKWAY KIT OPTION 138" (INCLUDES ITEMS 2,3,4)	1
2	9044376	PAN HD TAP SCREW	60
3	915960003	FRONT WALKWAY PLATE 156"	2
	915960503	FRONT WALKWAY PLATE 138"	2
4	915960001	REAR WALKWAY PLATE, LH 156"	1
	915960002	REAR WALKWAY PLATE, RH 156"	1
	915960501	REAR WALKWAY PLATE, LH 138"	1
	915960502	REAR WALKWAY PLATE, RH 138"	1
5	915961000	DRESS UP KIT OPTION (INCLUDES ITEMS 6,7,8,9,10,11,12)	1
6	915961001	VERTICAL BOOM PLATE	1
7	915961007	STINGER PLATE	1
8	915961004	STIFFLEG PLATE, LH	1
	915961005	STIFFLEG PLATE, RH	1
9	920961003	MUD FLAP PLATE	2
10	920961002	LOWER SIDE TOOL BOX PLATE	2
11	915961006	PIVOT FOOT PLATE	1
12	9044376	PAN HD SELF TAPPING SCREW	84
13	920960500	HANDRAIL KIT OPTION (INCLUDES ITEMS 14,15,16,17)	1
14	9048553	SCREW	12
15	920960501	TUBE	2
16	9048552	CENTER STANCHION	2
17	9048551	END STANCHION	4
18	920550000	CROSSOVER BOX OPTION (INCLUDES ITEMS 19, 20,21,22,23,24)	1
19	920550005	FRONT & REAR MOUNTING ANGLES	4
20	920550004	UPPER & LOWER MOUNTING ANGLES	4
21	920550500	CROSSOVER BOX	1
22	9041205	3/8"NC X 1" LG. HEX HD CAP SCREW	36
23	9045255	3/8" FLAT WASHER	72
24	9043306	3/8" NYLON NUT	36

FIG 21. 945520000. HEAVY DUTY WHEEL LIFT



**FIG 21. 945520000. HEAVY DUTY WHEEL LIFT**

ID NO	PART NO	DESCRIPTION	QTY
1	945520500	WHEEL LIFT SCOOP, LH	1
2	945527500	WHEEL LIFT SCOOP, RH	1
3	9046568	LOCK PIN	1
4	945521500	LIFT ARM, LH	1
5	945528500	LIFT ARM, RH	1
6	9048634	TIE DOWN STRAP-1" WIDE	2
7	9048705	TIE DOWN STRAP-3" WIDE	2
8	9046569	LOCK PIN	2
9	945521000	ADJUSTABLE EXTENSION C'BAR, LH	1
10	945528000	ADJUSTABLE EXTENSION C'BAR, RH	1
11	9046570	LOCK PIN	2
12	945520003	RATCHET HANDLE (NOT SHOWN)	2
13	945521200	STOP PIN	2
14	9056150	1-1/2" EXTENSION RETAINING PIN	2







8503 Hilltop Drive • Ooltewah, Tennessee 37363 • (423) 238-7227  
[www.millerind.com](http://www.millerind.com)