



OWNER'S MANUAL
15 SERIES
2 & 3 CAR CARRIERS

INSTALLATION, OPERATION, MAINTENANCE & PARTS

NOTE: MANUAL including SPECIFICATIONS, subject to change without notice
All ratings specified are based on structural factors only,
not vehicle capacities or capabilities.



Miller Industries Towing Equipment Inc.
8503 Hilltop Drive
Ooltewah, Tennessee 37363

Phone (423) 238-4171 • FAX (423) 238-5371

FORM NO. 0500840

Rev. 6/05

PRICE \$25.00

LIMITED WARRANTY

MILLER INDUSTRIES TOWING EQUIPMENT INC., hereinafter referred to as MILLER, warrants to the original purchaser that each new MILLER Carrier will be free from defects in material and workmanship for a period of one (1) year from the date of purchase. The purchaser must promptly notify MILLER in writing of any failure in material or workmanship. In no event shall such notification be received by MILLER later than thirteen (13) months from date of delivery.

The obligation under this warranty, statutory or otherwise, is limited to the repair or replacement at our factory, or at a point designated by us, of such part or parts as shall appear to us upon inspection to be defective in material or workmanship. New or remanufactured parts will be used for any replacement.

This warranty does not obligate MILLER to bear the cost of labor or transportation charges in connection with the replacement or repair of any parts found to be defective, nor shall it apply to a product upon which repairs or alterations have been made unless authorized by us.

MILLER shall in no event be liable for any incidental or consequential damages or contingent arising out of the failure of any parts or products to operate properly. NO IMPLIED, EXPRESS, OR STATUTORY WARRANTY OTHER THAN STATED HEREIN IS MADE OR AUTHORIZED TO BE MADE BY OR FOR US, INCLUDING, BUT NOT LIMITED TO, THE IMPLIED WARRANTIES OF MERCHANTABILITY AND FITNESS FOR A PARTICULAR PURPOSE.

MILLER makes no warranty, express or implied, as to finished products manufactured or supplied by another manufacturer or supplier by MILLER to purchaser, including, but not limited to, any vehicle to which a MILLER product may be affixed or accessories or wire rope (cable), and expressly disclaims any implied warranties of merchantability or fitness for a particular purpose as to such equipment or products. This language shall in no way affect or diminish the rights of purchaser to rely on such warranties as are extended by such manufacturers or suppliers.

MILLER, whose policy is one of continuous improvement, reserves the right to improve its product through changes in design or materials as it may deem desirable without being obligated to incorporate such changes in products of prior manufacture.

IT IS EXPRESSLY UNDERSTOOD THAT THERE IS NO IMPLIED WARRANTY THAT MILLER CARRIERS SHALL BE FIT FOR THE PURPOSE OF LIFTING OR MOVING PERSONS OR OTHER IMPROPER USE. THIS WARRANTY IS NOT TRANSFERABLE.

SERIAL NUMBER

Section VI - PARTS

This Section is provided by the manufacturer for the purpose of ordering any component part of the **15 Series Car Carrier** that may be required when part replacement is necessary. Be certain to use only original equipment replacement parts for warranty purposes as well as for keeping your **15 Series Car Carrier** in its original state and optimum operating capacities.

When ordering replacement or spare parts be sure to provide the following information to your carrier manufacturer authorized representative.

1. **Manual Number & Date of Publication**
2. **Manual Page Number**
3. **Page Title**
4. **Reference Number of Part Desired**
5. **Part Number**
6. **Part Description**
7. **Quantity of Part Desired**

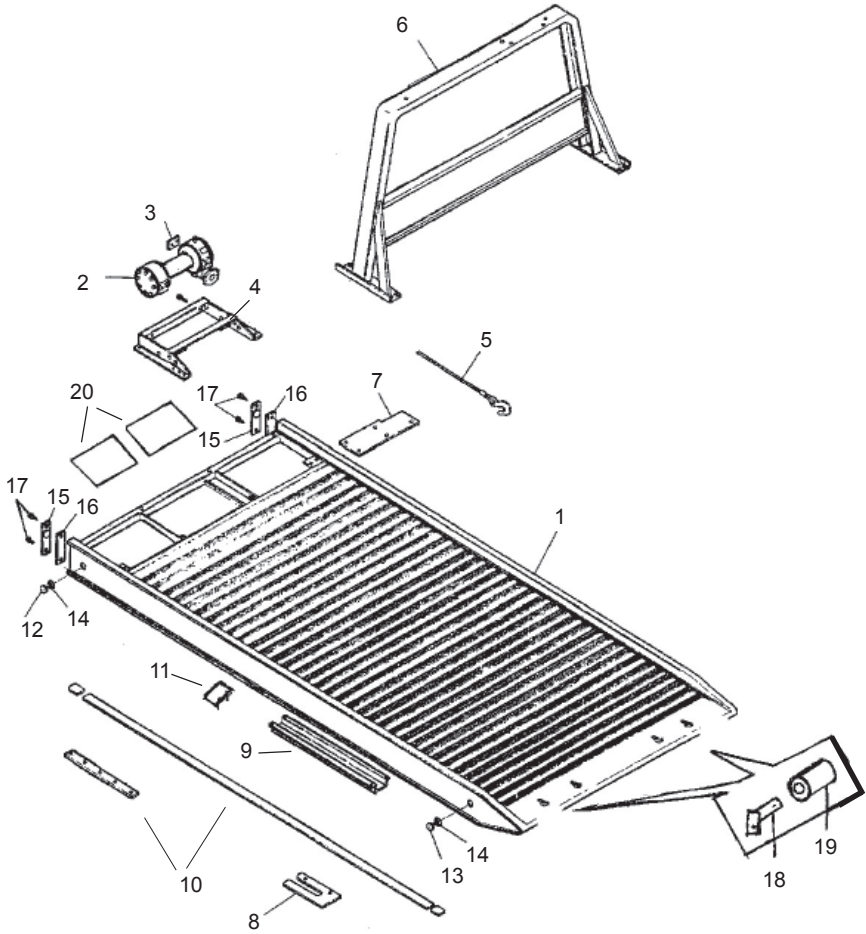
Providing this information will help ensure that the correct parts will be delivered to you in an expedient manner without delay. Should additional information be required for repair or replacement of certain components, contact **Miller Industries, Hermitage, PA, Phone: 724-981-3328, FAX 724-981-5260.**

The Manufacturer reserves the right, without notice or obligation, to improve or modify their products, which may change the specifications, models and feature availability.

Section VI - PARTS (cont'd)

ALUMINUM BED ASSEMBLY

FULL SIDE



Section VI - PARTS (cont'd)

ALUMINUM BED ASSEMBLY

FULL SIDE

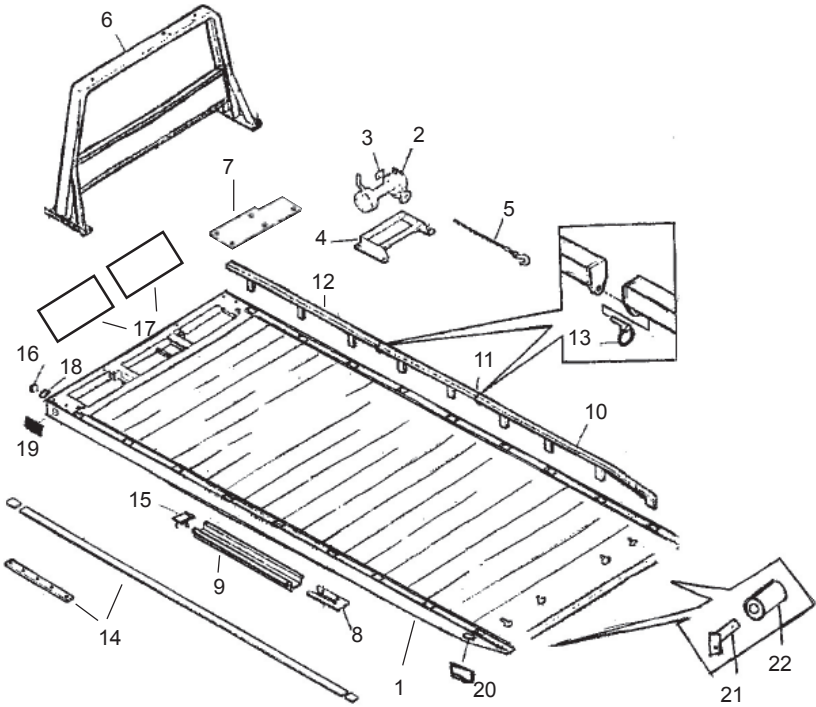
| REF. NO. | NO. REQ'D | PART NUMBER | DESCRIPTION |
|-------------|--------------|----------------|--|
| 1 | 1 | * | CARRIER BED WELDMENT |
| 2 | 1 | 0300250 | WINCH - 4 TON WORM |
| | 1 | 0303273 | WINCH - 4 TON PLANETARY - OPTION |
| 3 | 2 | 0701172 | SPACER, WINCH BRACKET |
| 4 | 1 | 0801482 | WINCH FRAME - 4 TON WORM |
| | 1 | 0805272 | WINCH FRAME - 4 TON PLANETARY |
| 5 | 1 | 0301669 | WINCH CABLE ASSEMBLY |
| 6 | 1 | * | CAB PROTECTOR WELDMENT - SPECIFY CHASSIS |
| 7 | 1 | 0703203 | COVER PLATE |
| 8 | 1 | 0708913 | ANTI-TILT PLATE |
| 9 | 1 | 0720283 | HOSE TRAY - 19' |
| | 1 | 0710777 | HOSE TRAY - 21' |
| 10 | 1 | 0905059 | BEARING PAD KIT - 19' |
| | 1 | 0905060 | BEARING PAD KIT - 21' THRU 22'2 |
| 11 | 1 | 0805207 | HOSE CLAMP WELDMENT |
| 12 | 2 | 0301742 | MARKER LIGHT, AMBER (10205Y) |
| 13 | 2 | 0301741 | MARKER LIGHT, RED (10205R) |
| 14 | 4 | 0301740 | GROMMET, ROUND RUBBER |
| 15 | 2 | LT0118 | MARKER LIGHT, AMBER (CHALL) |
| 16 | 2 | 0720264 | BED FILLER PLATE |
| 17 | 4 | 0403006 | 10-24 X 5/8" BHSCS SS |
| 18 | 2 | 0806251 | ROLLER PIN WELDMENT |
| 19 | 2 | 0721483 | ROLLER |
| 20 | 2 | 0306054 | TRAY MAT |

* CONTACT DISTRIBUTOR FOR ADDITIONAL INFORMATION

Section VI - PARTS (cont'd)

ALUMINUM BED ASSEMBLY

REMOVABLE RAIL



Section VI - PARTS (cont'd)

ALUMINUM BED ASSEMBLY

REMOVABLE RAIL

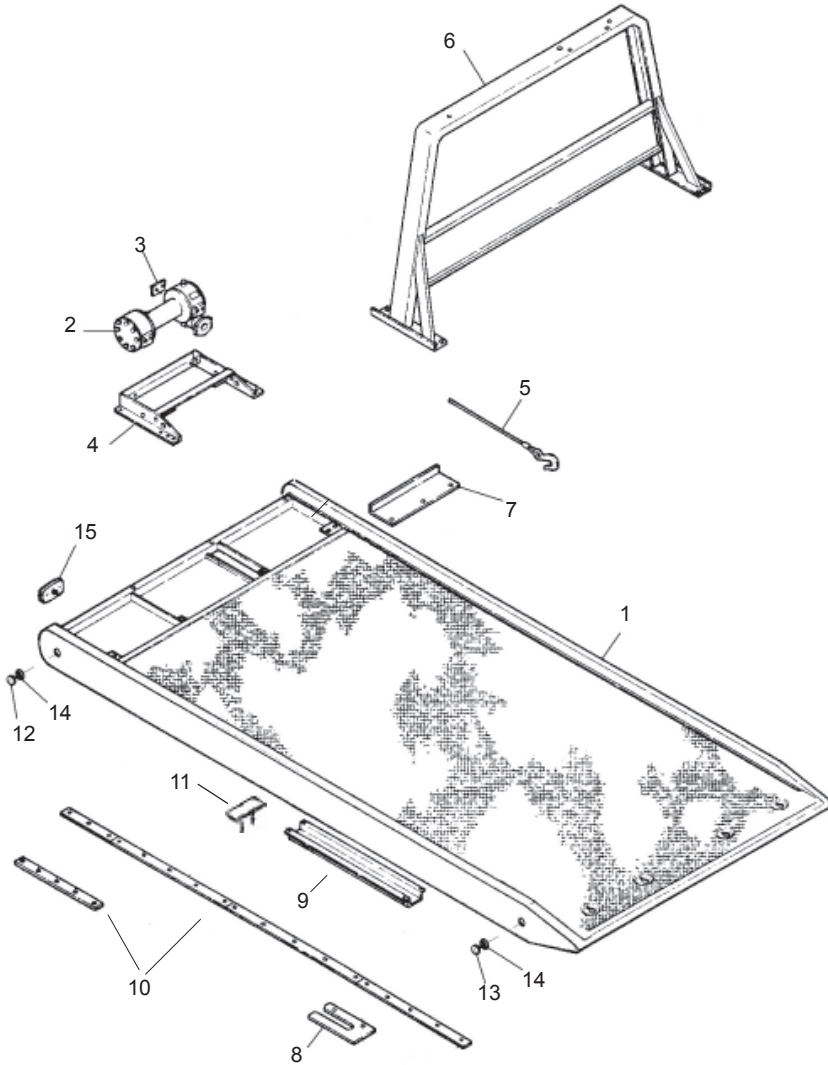
| REF. NO. | NO. REQ'D | PART NUMBER | DESCRIPTION |
|-------------|--------------|----------------|---|
| 1 | 1 | * | CARRIER BED WELDMENT |
| 2 | 1 | 0300250 | WINCH - 4 TON WORM |
| | 1 | 0303273 | WINCH - 4 TON PLANETARY - OPTION |
| 3 | 2 | 0701172 | SPACER, WINCH BRACKET |
| 4 | 1 | 0801482 | WINCH FRAME - 4 TON WORM |
| | 1 | 0805272 | WINCH FRAME - 4 TON PLANETARY |
| 5 | 1 | 0301669 | WINCH CABLE ASSEMBLY |
| 6 | 1 | * | CAB PROTECTOR WELDMENT - SPECIFY CHASSIS |
| 7 | 1 | 0703203 | COVER PLATE |
| 8 | 1 | 0708913 | ANTI-TILT PLATE |
| 9 | 1 | 0720283 | HOSE TRAY - 19' |
| | 1 | 0710777 | HOSE TRAY - 21' |
| 10 | 2 | 0805378 | REAR REMOVABLE RAIL - STEEL (19' THRU 21'6) |
| 11 | 2 | 0805376 | MID REMOVABLE RAIL - STEEL (19' THRU 21'6) |
| 12 | 2 | * | FRONT REMOVABLE RAIL - STEEL |
| 13 | 4 | 0306070 | LYNCH PIN |
| 14 | 1 | 0905059 | BEARING PAD KIT - 19' |
| | 1 | 0905060 | BEARING PAD KIT - 21' THRU 22'2 |
| 15 | 1 | 0805207 | HOSE CLAMP WELDMENT |
| 16 | 2 | 0301742 | MARKER LIGHT, AMBER (10205Y) |
| 17 | 2 | 0306054 | TRAY MATS |
| 18 | 4 | 0301740 | GROMMET, ROUND RUBBER |
| 19 | 2 | GP132 | MARKER LIGHT, AMBER (RECT) |
| 20 | 2 | GP131 | MARKER LIGHT, RED (RECT) |
| 21 | 2 | 0806251 | ROLLER PIN WELDMENT |
| 22 | 2 | 0721483 | ROLLER |

* CONTACT DISTRIBUTOR FOR ADDITIONAL INFORMATION

Section VI - PARTS (cont'd)

STEEL BED ASSEMBLY

TUBE SIDE



Section VI - PARTS (cont'd)

STEEL BED ASSEMBLY

TUBE SIDE

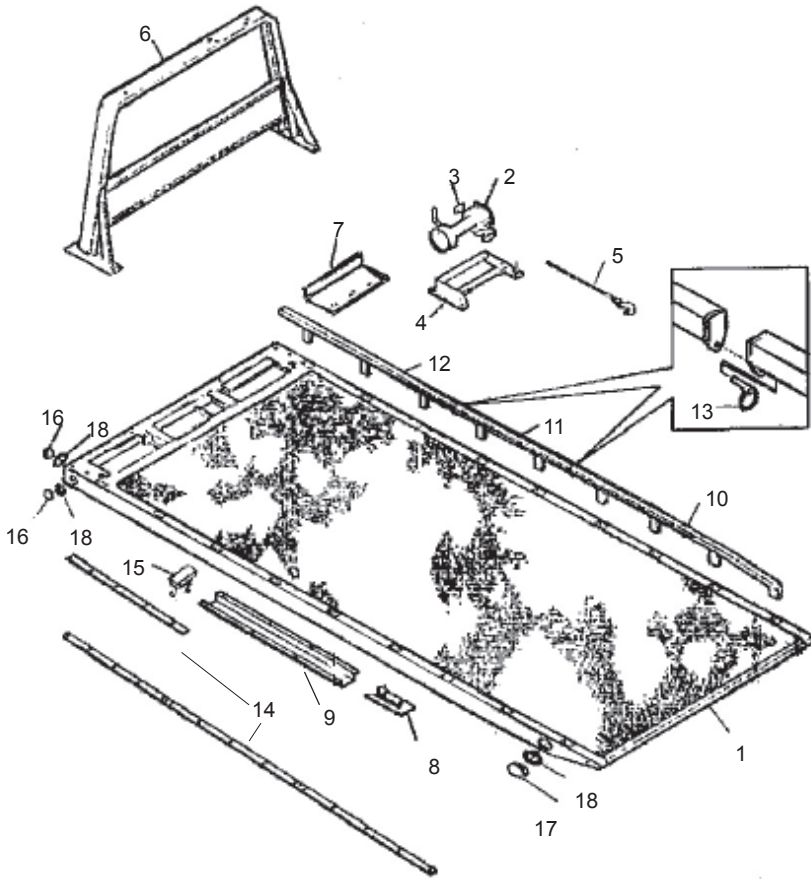
| REF. NO. | NO. REQ'D | PART NUMBER | DESCRIPTION |
|-------------|--------------|----------------|---|
| 1 | 1 | * | CARRIER BED WELDMENT |
| 2 | 1 | 0300250 | 4 TON WINCH ASSEMBLY |
| | | 0303273 | 4 TON PLANETARY WINCH ASSEMBLY-OPTION |
| 3 | 2 | 0701172 | SPACER, WINCH BRACKET |
| 4 | 1 | 0801482 | WINCH FRAME - 4 TON WORM |
| | 1 | 0805272 | WINCH FRAME - 4 TON PLANETARY |
| 5 | 1 | 0301669 | WINCH CABLE ASSEMBLY |
| 6 | 1 | * | CAB PROTECTOR WELDMENT -SPECIFY CHASSIS |
| 7 | 1 | 0750348 | COVER PLATE |
| 8 | 1 | 0708913 | ANTI-TILT PLATE |
| 9 | 1 | 0720283 | HOSE TRAY - 19' |
| | 1 | 0710777 | HOSE TRAY - 21' |
| 10 | 1 | 0905043 | BEARING PAD KIT - 19' |
| | 1 | 0905383 | BEARING PAD KIT - 21' |
| 11 | 1 | 0805207 | HOSE CLAMP WELDMENT |
| 12 | 2 | 0301742 | MARKER LIGHT, AMBER (10205Y) |
| 13 | 2 | 0301741 | MARKER LIGHT, RED (10205R) |
| 14 | 4 | 0301740 | GROMMET, ROUND RUBBER |
| 15 | 2 | GP132 | MARKER LIGHT, AMBER (RECT.) |

* CONTACT DISTRIBUTOR FOR ADDITIONAL INFORMATION

Section VI - PARTS (cont'd)

STEEL BED ASSEMBLY

REMOVABLE RAIL



Section VI - PARTS (cont'd)

STEEL BED ASSEMBLY REMOVABLE RAIL

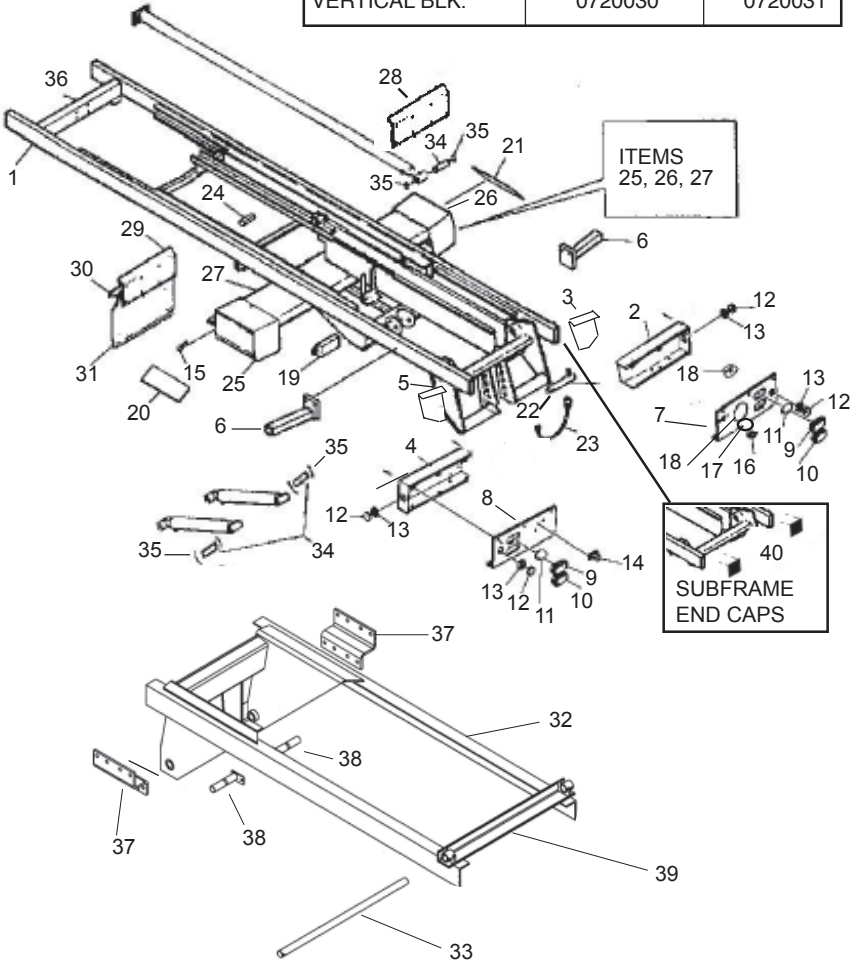
| REF. NO. | NO. REQ'D | PART NUMBER | DESCRIPTION |
|-------------|--------------|----------------|---|
| 1 | 1 | * | CARRIER BED WELDMENT |
| 2 | 1 | 0300250 | 4 TON WINCH ASSEMBLY |
| | | 0303273 | 4 TON PLANETARY WINCH -OPTION |
| 3 | 2 | 0701172 | SPACER, WINCH BRACKET |
| 4 | 1 | 0801482 | WINCH FRAME - 4 TON WORM |
| | | 0805272 | WINCH FRAME - 4 TON PLANETARY |
| 5 | 1 | 0301669 | WINCH CABLE ASSEMBLY |
| 6 | 1 | * | CAB PROTECTOR WELDMENT -SPECIFY CHASSIS |
| 7 | 1 | 0750348 | COVER PLATE |
| 8 | 1 | 0708913 | ANTI-TILT PLATE |
| 9 | 1 | 0720283 | HOSE TRAY - 19' |
| | | 0710777 | HOSE TRAY - 21' |
| 10 | 2 | 0802662 | REAR REMOVABLE RAIL - STEEL (19' THRU 21'6) |
| 11 | 2 | 0802661 | MID REMOVABLE RAIL - STEEL (19' THRU 21'6) |
| 12 | 2 | * | FRONT REMOVABLE RAIL - STEEL |
| 13 | 4 | 0306070 | LYNCH PIN |
| 14 | 1 | 0905043 | BEARING PAD KIT - 19' |
| | | 0905383 | BEARING PAD KIT - 21' |
| 15 | 1 | 0805207 | HOSE CLAMP WELDMENT |
| 16 | 4 | 0301742 | MARKER LIGHT, AMBER (10205Y) |
| 17 | 2 | 0301741 | MARKER LIGHT, RED (10205R) |
| 18 | 6 | 0301740 | GROMMET, ROUND RUBBER |

* CONTACT DISTRIBUTOR FOR ADDITIONAL INFORMATION

Section VI - PARTS (cont'd)

TILT FRAME ASSEMBLY

| BEZEL TYPE | LH | RH |
|-----------------|---------|---------|
| HORIZONTAL S.S. | 0721760 | 0721761 |
| VERTICAL S.S. | 0721339 | 0721340 |
| HORIZONTAL BLK. | 0705253 | 0705254 |
| VERTICAL BLK. | 0720030 | 0720031 |



Section VI - PARTS (cont'd)

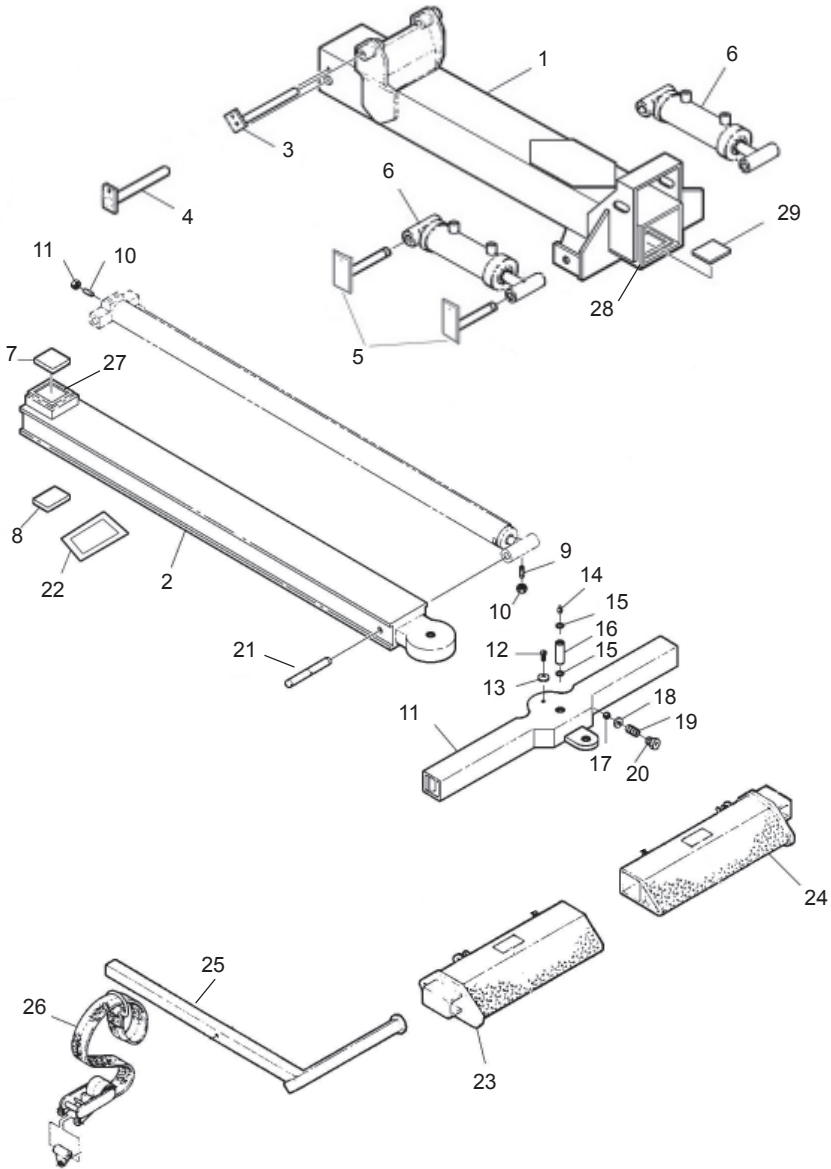
TILT FRAME ASSEMBLY

| REF. NO. | NO. REQ'D | PART NUMBER | DESCRIPTION |
|-------------|--------------|----------------|--|
| 1 | 1 | 0806274 * | TILT FRAME - W/L TILT FRAME - D/S T/B NWL |
| 2 | 1 | 0809092 | TAIL LIGHT HOUSING (RH) |
| 3 | 1 | 0710784 | TAIL LIGHT MTG. BRACKET (RH) ALL SERIES |
| 4 | 1 | 0809093 | TAIL LIGHT HOUSING (LH) |
| 5 | 1 | 0710783 | TAIL LIGHT MTG. BRACKET (LH) ALL SERIES |
| 6 | 2 | 0809142 | L-ARM STORAGE TUBE BRACKET |
| 7 | 1 | | PLATE, LIGHT MOUNTING (RH) - See page 10 |
| 8 | 1 | | PLATE, LIGHT MOUNTING (LH) - See page 10 |
| 9 | 2 | 0301390 | STOP & TURN LIGHT |
| 10 | 2 | 0302201 | BACK-UP LIGHT |
| 11 | 4 | 0304127 | GROMMET |
| 12 | 4 | 0301741 | MARKER LIGHT, RED |
| 13 | 4 | 0301740 | MARKER LIGHT GROMMET |
| 14 | 1 | 0300273 | LICENSE PLATE ILLUMINATOR |
| 15 | 2 | 0300867 | CONTROL PANEL ILLUMINATOR |
| 16 | 1 | 0301671 | TOW LIGHT SOCKET |
| 17 | 1 | 0306385 | BACK-UP ALARM |
| 18 | 1 | 0306386 | BACK-UP ALARM GROMMET |
| 19 | 1 | 0303385 | JUNCTION BOX |
| 20 | 1 | 0500425 | CONTROL STA. DECAL, 5 SPOOL (LH) |
| 21 | 1 | 0500426 | CONTROL STA. DECAL, 5 SPOOL (RH) |
| 22 | 1 | 0709867 | SAFETY PIN (1-1/4" x 14" CR) |
| 23 | 1 | 0905895 | SAFETY PIN HDW. (0709867) |
| 24 | 1 | 0306052 | CYLINDER PAD |
| 25 | 1 | 0801557 | CONTROL BOX HOOD WELDMENT (LH) |
| 26 | 1 | 0801558 | CONTROL BOX HOOD WELDMENT (RH) |
| 27 | 1 | 0720437 | CONTROL BOX SUPP. CHANNEL (LONG) |
| | 1 | 0909417 | ITEMS #25, 26, 27 COMPLETE |
| 28 | 1 | 0720080 | MUD FLAP MTG. BRACKET, STD. LONG (RH) |
| 29 | 1 | 0720081 | MUD FLAP MTG. BRACKET, STD. LONG (LH) |
| 30 | 2 | 0750340 | BAR, MUD FLAP SUPPORTS (S.S.) |
| 31 | 2 | * | MUDFLAP 24" x 24" |
| 32 | | 0805745 | MOUNTING FRAME |
| 33 | 1 | 0721546 | PIN, PIVOT (HINGE) |
| 34 | 5 | 0702434 | PIN, LIFT CYL & BED EXTENDED |
| 35 | 10 | 0301642 | SNAP RING 1-1/4" |
| 36 | 1 | 0806144 | CYLINDER MTG. CROSSMEMBER-TILT FRAME |
| 37 | 2 | 0805188 | MOUNTING BRACKET |
| 38 | 2 | 0801201 | TILT CYLINDER PIN |
| 39 | 1 | 0806275 | TILT PIVOT WELDMENT |
| 40 | 2 | 0308093 | SUBFRAME END CAP |

* CONTACT DISTRIBUTOR FOR ADDITIONAL INFORMATION

Section VI - PARTS (cont'd)

WHEEL LIFT & SLIDE-IN TIRE RESTRAINT ASSEMBLY



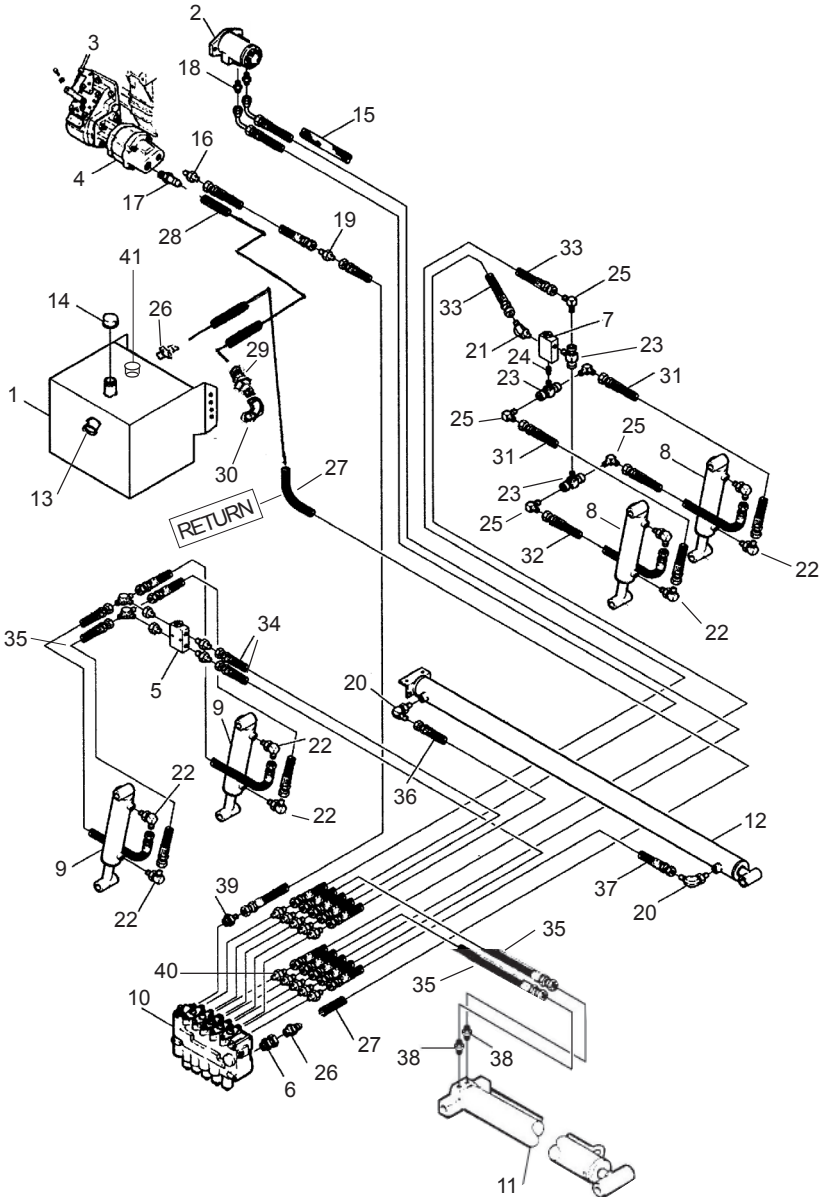
Section VI - PARTS (cont'd)

WHEEL LIFT & SLIDE-IN TIRE RESTRAINT ASSEMBLY

| REF. NO. | NO. REQ'D | PART NUMBER | DESCRIPTION |
|-------------|--------------|----------------|-------------------------------------|
| 1 | 1 | 0806109 | OUTER BOOM WELDMENT |
| 2 | 1 | 0806110 | INNER BOOM WELDMENT |
| 3 | 1 | 0801009 | WHEEL LIFT CYLINDER PIN |
| 4 | 1 | 0801210 | PIN, EXTEND CYLINDER PIVOT |
| 5 | 4 | 0806094 | PIN, LIFT CYLINDER WELDMENT |
| 6 | 2 | 0302368 | WHEEL LIFT CYLINDER |
| 7 | 1 | 0301850 | BEARING PAD, NYLATRON (INNER BOOM) |
| 8 | 1 | 0750319 | BEARING PAD (UHMW) 3/16 x 2-3/8 x 3 |
| 9 | 2 | 0400221 | 3/8-16 x 1" ALLEN HD SET SCREW Z |
| 10 | 2 | 0400393 | 3/8-16 HEX JAM NUT Z |
| 11 | 1 | 0808506 | INNER CROSSBAR WELDMENT |
| 12 | 1 | 0403004 | 3/8-16 x 3/4" BUTTON HEAD CAP SCREW |
| 13 | 1 | 0720463 | WASHER, PIVOT PIN RETAINER |
| 14 | 1 | 0300113 | GREASE FITTING, STRAIGHT |
| 15 | 2 | 0308132 | O-RING 1" ID x 1-1/4" OD x 1/8" |
| 16 | 1 | 0720460 | PIVOT PIN, W/L CROSSBAR |
| 17 | 1 | 0308129 | BALL, CHROME 1" (GRADE 16) |
| 18 | 1 | 0721632 | SPACER, CROSSBAR DETENT |
| 19 | 1 | 0308131 | SPRING, DIE |
| 20 | 1 | 0308130 | PIPE PLUG |
| 21 | 1 | 0702131 | PIVOT PIN (REAR)-EXTEND CYLINDER |
| 22 | 1 | 0720357 | ENCAPSULATING CAGE, INNER |
| 23 | 1 | 0905121 | OUTER XTUBE ASSEMBLY (LH) |
| 24 | 1 | 0905122 | OUTER XTUBE ASSEMBLY (RH) |
| 25 | 2 | 0801332 | L-ARM |
| 26 | 2 | 0307096 | STRAP, RATCHET PIVOT ASSEMBLY |
| 27 | 1 | 0720060 | ENCAPSULATING CAGE (TOP) |
| 28 | 1 | 0750482 | STINGER STOP BLOCK |
| 29 | 1 | 0302183 | BEARING PAD |

Section VI - PARTS (cont'd)

HYDRAULICS



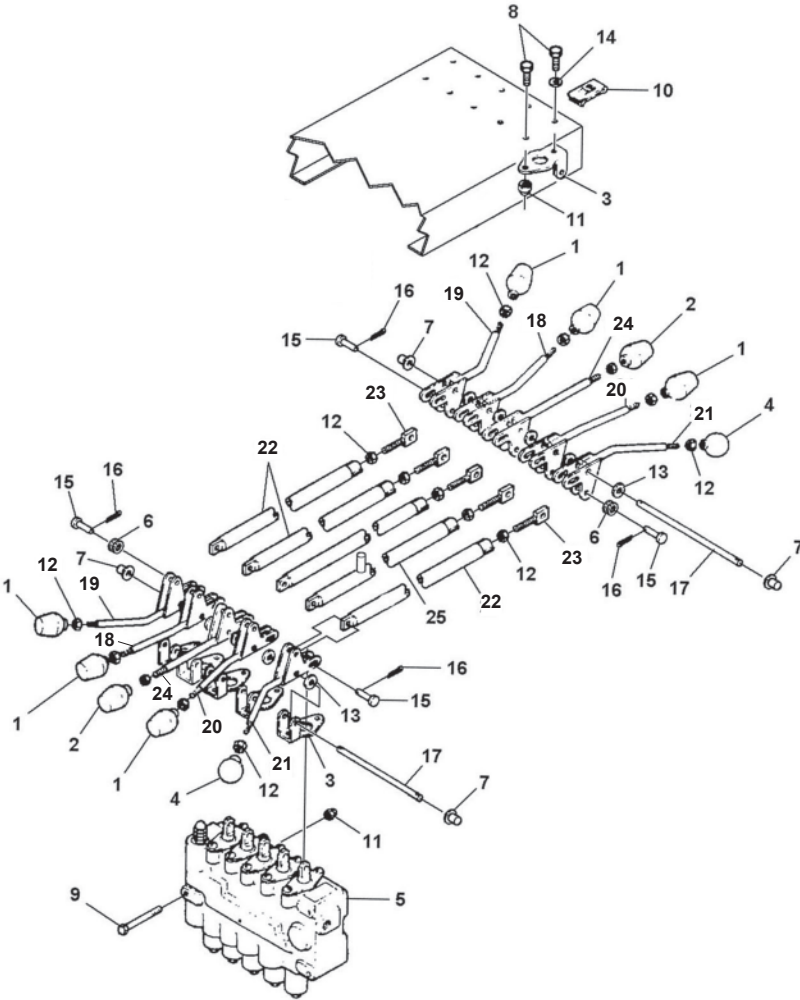
Section VI - PARTS (cont'd) HYDRAULICS

| REF. NO. | NO. REQ'D | PART NUMBER | DESCRIPTION |
|-------------|--------------|----------------|--|
| 1 | 1 | 0805186 | OIL RESERVOIR |
| 2 | 1 | 0306157 | WINCH MOTOR, 4 TON |
| | 1 | 0302148 | WINCH MOTOR, 5/6 TON |
| 3 | 1 | * | PTO |
| 4 | 1 | 0306031 | PUMP (15 GPM) |
| 5 | 1 | 0302024 | BED TILT CYLINDER LOCK VALVE |
| 6 | 1 | 0308393 | HYD. FITTING 3/4" MORB x 3/4" FP |
| 7 | 1 | 0301731 | WHEEL LIFT LOCK VALVE |
| 8 | 2 | 0302368 | CYLINDER, WHEEL LIFT UP/DN |
| 9 | 2 | 0302012 | CYLINDER, BED TILT |
| 10 | 1 | 0302179 | VALVE BODY, 5 SPOOL |
| 11 | 1 | 0302178 | CYLINDER, WHEEL LIFT EXTEND |
| 12 | 1 | 0301970 | CYLINDER, BED EXTEND |
| 13 | 1 | 0306023 | SIGHT GLASS |
| 14 | 1 | 0702741 | CAP, OIL RESERVOIR |
| 15 | * | 0306338 | SKUFF JACKET |
| 16 | 1 | 0302757 | HYDRAULIC FITTING 8MJ-16MB |
| 17 | 1 | 0300492 | HYDRAULIC FITTING 1" HOSE BARB MB |
| 18 | 6 | 0301470 | HYDRAULIC FITTING 6MJ-8MB 90 DEG. |
| 19 | 1 | 0300865 | HYDRAULIC FITTING 8MJ-8MJ |
| 20 | 4 | 0300229 | HYDRAULIC FITTING 8MJ-8MP 90 DEG. |
| 21 | 1 | 0301848 | HYDRAULIC FITTING 6MJ-6MP 45 DEG. |
| 22 | 8 | 0306143 | HYDRAULIC FITTING 6MJ-6MB 90 DEG. |
| 23 | 3 | 0301868 | HYDRAULIC FITTING 4FP-4FP-4MP BRANCH "T" |
| 24 | 1 | 0306117 | HEX BUSHING 3/8" x 1/4" (151157X) |
| 25 | 5 | 0300142 | HYDRAULIC FITTING 6MJ-4MP 90 DEG. |
| 26 | 2 | 0308296 | LOCK ON STEM, 3/4" MALE NPT |
| 27 | 1 | 0704366 | HOSE RETURN 3/4" x 20' LONG |
| 28 | 1 | 0306080 | HOSE SUCTION 1" x 11' LONG |
| 29 | 1 | 0300056 | HYDRAULIC FITTING 1" HOSE BARB MP |
| 30 | 1 | 0300692 | HYDRAULIC FITTING 1" 90 DEG. STREET ELL |
| 31 | 2 | 0306109 | HOSE 4M2T-6FJX-6FJX 1/4 x 21 |
| 32 | 2 | 0301660 | HOSE 4M3K 6FJX-6FJX 1/4 x 21 |
| 33 | 2 | 0301403 | HOSE 4M3K 6FJX-6FJX 1/4 x 80 |
| 34 | 2 | 0308497 | HOSE 8M3K 8FJX-8FJX 1/2 x 175 |
| 35 | 4 | 0301478 | HOSE 4M3K 6FJX-6FJX 1/4 x 60 |
| 36 | 1 | 0301658 | HOSE 8M3K 8FJX-8FJX 1/2 x 128 |
| 37 | 1 | 0306071 | HOSE 8M3K 8FJX-8FJX 1/2 x 58 |
| 38 | 2 | 0301522 | HYDRAULIC FITTING 6MJ-6MB |
| 39 | 2 | 0300789 | HYDRAULIC FITTING 8MJ-10MB |
| 40 | 1 | 0300044 | HYDRAULIC FITTING 6MJ-8MB |
| 41 | 1 | 9018399 | IMMERSION FILTER ASSY |
| | 1 | 9018309 | IMMERSION FILTER ELEMENT |

* CONTACT DISTRIBUTOR FOR ADDITIONAL INFORMATION

Section VI - PARTS (cont'd)

CONTROL & CROSSROD ASSEMBLY



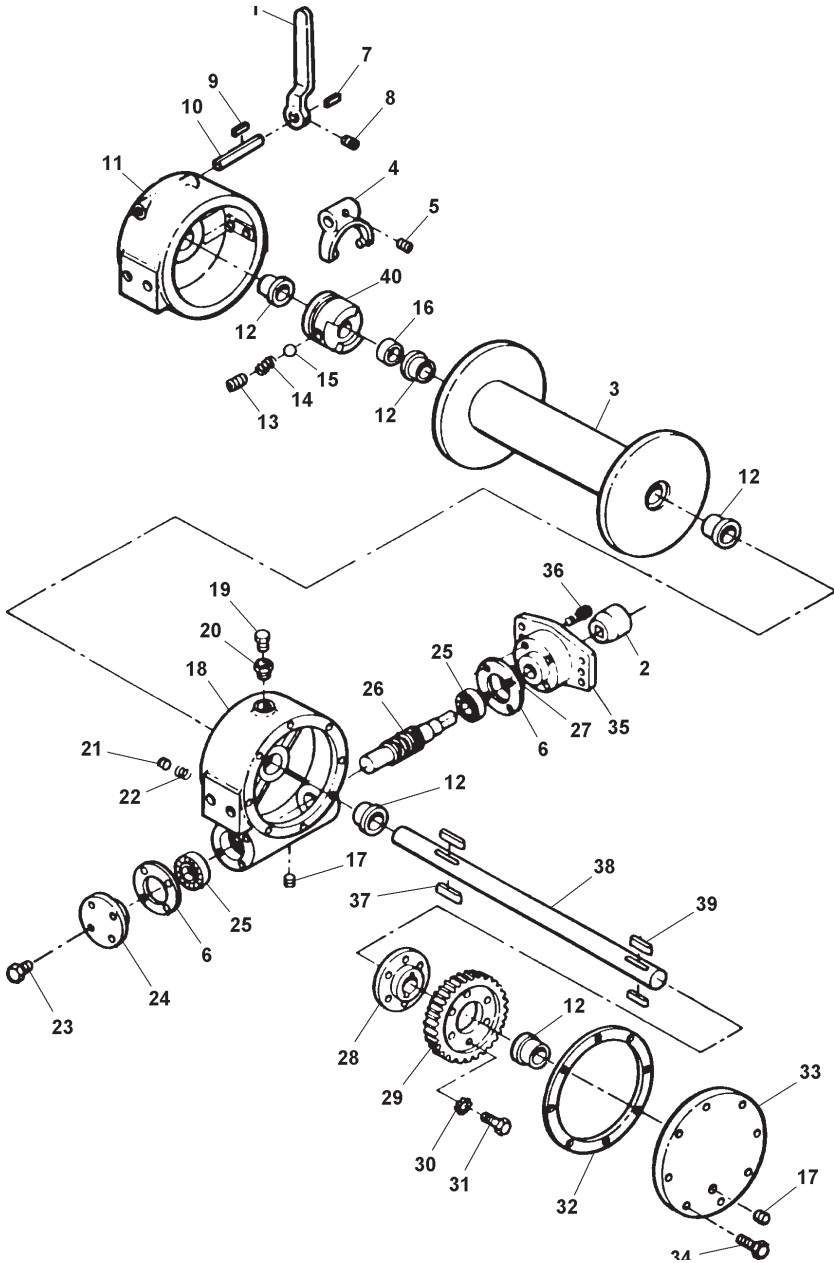
Section VI - PARTS (cont'd)

CONTROL & CROSSROD ASSEMBLY

| REF. NO. | NO. REQ'D | PART NUMBER | DESCRIPTION |
|-------------|--------------|----------------|------------------------------------|
| 1 | 6 | 0300341 | KNOB, BLACK (FLAT) |
| 2 | 2 | 0300834 | KNOB, RED |
| 3 | 10 | 0301638 | BRACKET, CONTROL HANDLE |
| 4 | 2 | 0301720 | KNOB, BALL |
| 5 | 1 | 0302179 | 5-SPOOL CONTROL VALVE |
| 6 | 10 | 0306006 | SPRING, ANTI-RATTLE |
| 7 | 4 | 0306122 | END CAP, CONTROL HANDLE ROD |
| 8 | 12 | 0400121 | 3/8-16 x 3/4" HHCS GR5 Z |
| 9 | 3 | 0400140 | 3/8-16 x 4" HHCS GR5 Z |
| 10 | 5 | 0400243 | 3/8-16, J-NUT TINNEMAN |
| 11 | 10 | 0400392 | 3/8-16 NYLON LOCK NUT Z |
| 12 | 10 | 0400393 | 3/8-16 HEX JAM NUT Z |
| 13 | 15 | 0400465 | 5/16" SAE FLAT WASHER Z |
| 14 | 5 | 0400482 | 3/8" LOCK WASHER Z |
| 15 | 10 | 0400532 | 5/16" x 1" CLEVIS PIN Z |
| 16 | 10 | 0403067 | BOWTIE - Z |
| 17 | 2 | 0705242 | ROD, CONT. HANDLE 5 SPOOL |
| 18 | 1 | 0720456 | UHMW ANGLE |
| 19 | 2 | 0809135 | CONTROL HANDLE (FWD. INNER) LONG |
| 20 | 2 | 0809138 | CONTROL HANDLE (FWD. OUTER) LONG |
| 21 | 2 | 0809136 | CONTROL HANDLE (REAR INNER) LONG |
| 22 | 2 | 0809137 | CONTROL HANDLE (REAR OUTER) LONG |
| 23 | 4 | 0806111 | CONTROL ROD WELDMENT |
| 24 | 5 | 0800800 | CONTROL ROD LINK |
| 25 | 1 | 0806112 | CONTROL ROD WELDMENT (ANTI-TILT) |
| 26 | 2 | 0809134 | CONTROL HANDLE WELDMENT (CTR) LONG |

Section VI - PARTS (cont'd)

4-TON HYDRAULIC WINCH



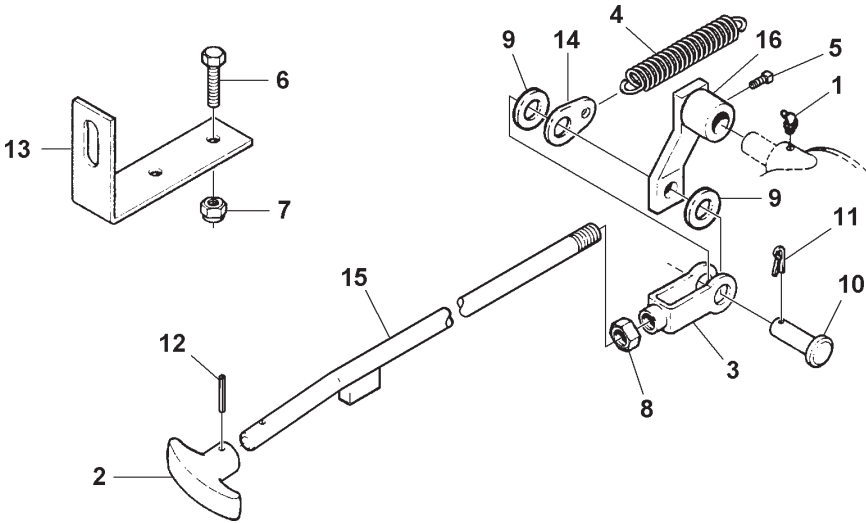
Section VI - PARTS (cont'd)

4-TON HYDRAULIC WINCH

| REF. NO. | NO. REQ'D | PART NUMBER | DESCRIPTION |
|-------------|--------------|----------------|--------------------------------|
| 1 | 1 | 0300261 | LEVER |
| 2 | 1 | 0300290 | COUPLING |
| 3 | 1 | 0300381 | DRUM |
| 4 | 1 | 0300398 | YOKE |
| 5 | 1 | 0300399 | SCREW |
| 6 | 2 | 0300447 | GASKET |
| 7 | 1 | 0300448 | KEY |
| 8 | 1 | 0300449 | SCREW |
| 9 | 1 | 0300450 | KEY |
| 10 | 1 | 0300451 | SHAFT |
| 11 | 1 | 0300452 | CLUTCH HOUSING |
| 12 | 5 | 0300453 | BUSHING |
| 13 | 1 | 0300454 | SCREW |
| 14 | 1 | 0300455 | SPRING |
| 15 | 1 | 0300456 | BALL |
| 16 | 1 | 0300458 | SPACER |
| 17 | 2 | 0300459 | PLUG |
| 18 | 1 | 0300460 | HOUSING |
| 19 | 1 | 0300461 | PLUG |
| 20 | 1 | 0300462 | REDUCER |
| 21 | 1 | 0300463 | DRAG BRAKE |
| 22 | 1 | 0300464 | SPRING |
| 23 | 16 | 0300465 | SCREW |
| 24 | 1 | 0300466 | CAP |
| 25 | 2 | 0300467 | BEARING |
| 26 | 1 | 0300468 | WORM |
| 27 | 1 | 0300471 | SEAL |
| 28 | 1 | 0300472 | HUB |
| 29 | 1 | 0300473 | GEAR |
| 30 | 6 | 0300474 | WASHER |
| 31 | 6 | 0300475 | SCREW |
| 32 | 1 | 0300476 | GASKET |
| 33 | 1 | 0600477 | COVER |
| 34 | 4 | 0300569 | SCREW |
| 35 | 1 | 0300694 | CAP ADAPTER |
| 36 | 1 | 0300695 | SCREW |
| 37 | 2 | -- | KEY |
| 38 | 1 | -- | SHAFT |
| 39 | 2 | -- | KEY |
| 40 | 1 | -- | CLUTCH |
| 41 | 1 | 0300250 | 4-TON HYDRAULIC WINCH ASSEMBLY |

Section VI - PARTS (cont'd)

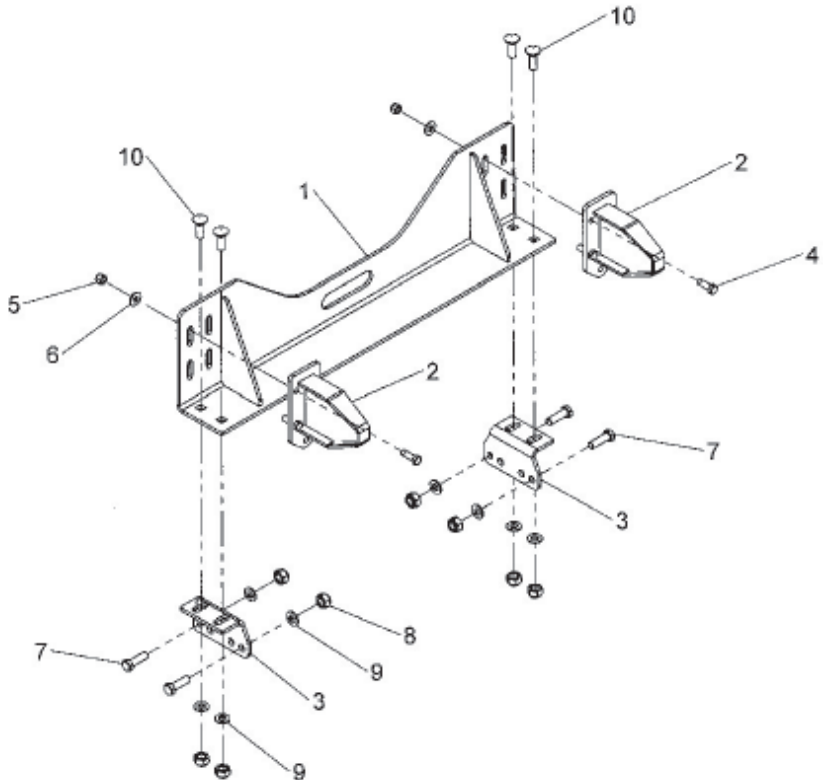
WINCH CLUTCH CONTROL (WORM GEAR)



| REF. NO. | NO. REQ'D | PART NUMBER | DESCRIPTION |
|----------|-----------|-------------|----------------------------------|
| 1 | 1 | 0301397 | GREASE FITTING, 90° |
| 2 | 1 | 0301532 | "T" HANDLE |
| 3 | 1 | 0301588 | ADJUSTING YOKE |
| 4 | 1 | 0306015 | SPRING COMPRESSION |
| 5 | 1 | 0400116 | SCREW, 5/16"-18 X 1/2" SQ HD SET |
| 6 | 2 | 0400126 | SCREW, 3/8"-16 X 1" HEX HD CAP |
| 7 | 2 | 0400392 | NUT, 3/8"-16 NYLOK |
| 8 | 1 | 0400410 | NUT, 1/2"-13 JAM |
| 9 | 4 | 0400492 | WASHER, 1/2" FLAT |
| 10 | 1 | 0400537 | PIN, 1/2" X 1-1/2" CLEVIS |
| 11 | 1 | 0400546 | PIN, 1/8" X 1-1/4" COTTER |
| 12 | 2 | 0400560 | PIN, 5/32" X 1" ROLL |
| 13 | 1 | 0710918 | MOUNTING ANGLE |
| 14 | 1 | 0710919 | SPRING HOLDER |
| 15 | 1 | 0805170 | CONTROL ROD |
| 16 | 1 | 0805151 | BELL CRANK |
| | 1 | 0905078 | BED LOCK ASSEMBLY |

Section VI - PARTS (cont'd)

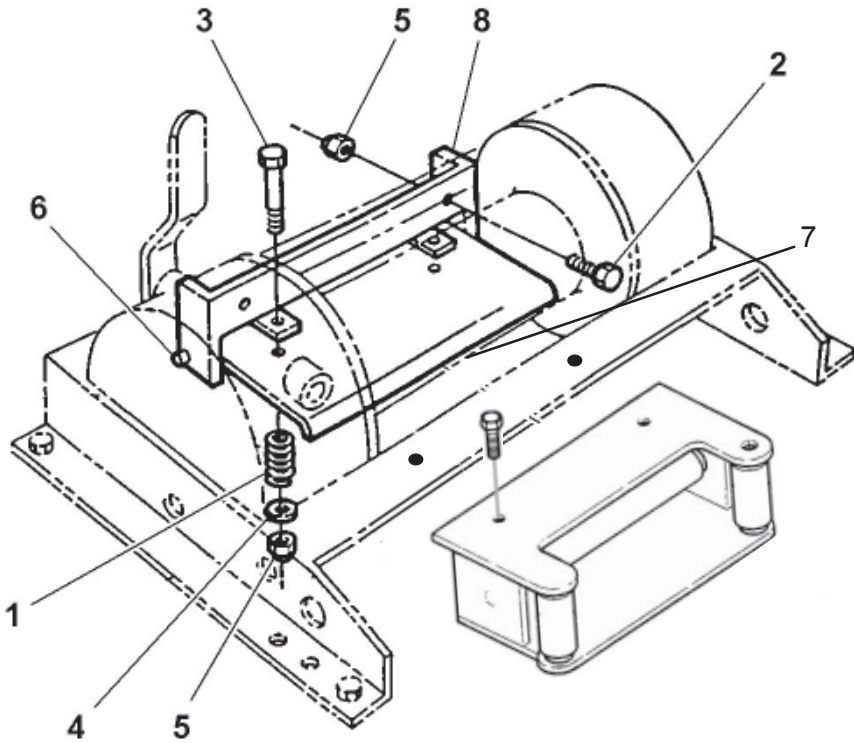
BED LOCK ASSEMBLY



| REF. NO. | NO. REQ'D | PART NUMBER | DESCRIPTION |
|----------|-----------|-------------|---|
| 1 | 1 | 0809181 | BED LOCK WELDMENT |
| 2 | 2 | 0809182 | BED LOCK HOLD-DOWN |
| 3 | 2 | 0809183 | MOUNTING BRACKET |
| 4 | 8 | 0400181 | BOLT, 1/2-13 x 1-1/2 HHCS ZP GRADE 5 |
| 5 | 8 | 0400408 | NYLON LOCK NUT, 1/2-13 ZP |
| 6 | 8 | 0403040 | FLAT WASHER, 1/2 ZP |
| 7 | 4 | 0400260 | BOLT, HHCS 5/8-11 x 2 ZP GRADE 5 |
| 8 | 8 | 0400421 | NUT, 5/8-11 NYLON LOCK ZP |
| 9 | 8 | 0400505 | FLAT WASHER 5/8 ZP |
| 10 | 4 | 0403068 | CARRIAGE BOLT 5/8-11 x 1-3/4 ZP GRADE 5 |
| | 1 | 0905078 | BED LOCK ASSEMBLY |

Section VI - PARTS (cont'd)

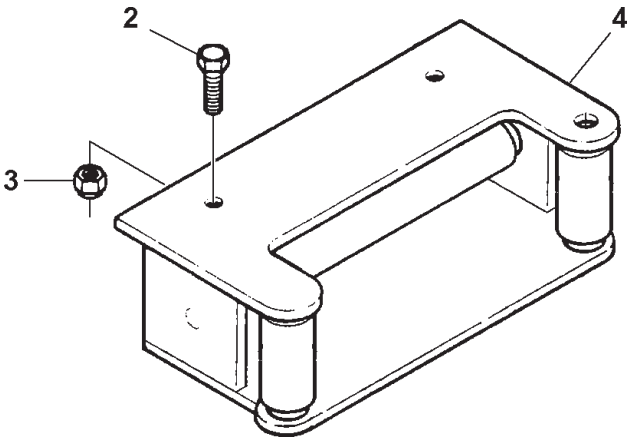
CABLE TENSIONER ASSEMBLY (STANDARD 4-TON WINCH)



| REF. NO. | NO. REQ'D | PART NUMBER | DESCRIPTION |
|----------|-----------|-------------|------------------------------------|
| 1 | 2 | 0301729 | TENSIONING SPRING |
| 2 | 2 | 0400126 | SCREW, 3/8"-16 X 1" HEX HD CAP |
| 3 | 2 | 0400130 | SCREW, 3/8"-16 X 3-1/2" HEX HD CAP |
| 4 | 2 | 0400480 | WASHER, 3/8" FLAT |
| 5 | 4 | 0400392 | NUT, 3/8"-16 HEX NYLOK |
| 6 | 2 | 0400554 | ROLL PIN, 3/8" X 1" |
| 7 | 1 | 0800908 | TENSIONING PLATE |
| 8 | 1 | 0800909 | CABLE TENSIONER BRACKET |

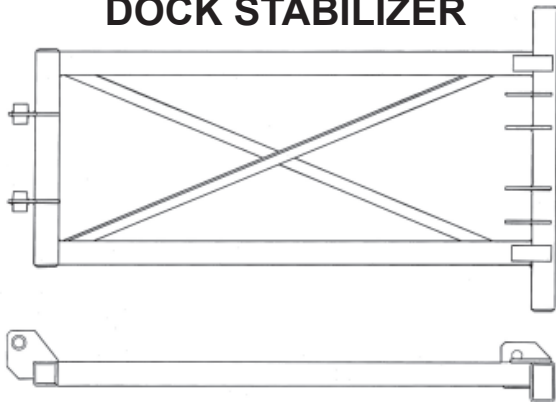
Section VI - PARTS (cont'd)

CABLE ROLLER ASSEMBLY



| REF. NO. | NO. REQ'D | PART NUMBER | DESCRIPTION |
|----------|-----------|-------------|--------------------------------|
| 1 | -- | 0900892 | CABLE ROLLER ASSEMBLY |
| 2 | 2 | 0400177 | SCREW, 1/2"-13 X 1-1/4" HEX HD |
| 3 | 2 | 0400408 | NUT, 1/2"-13 NYLOK |
| 4 | 1 | 0805037 | CABLE ROLLER GUIDE WELDMENT |

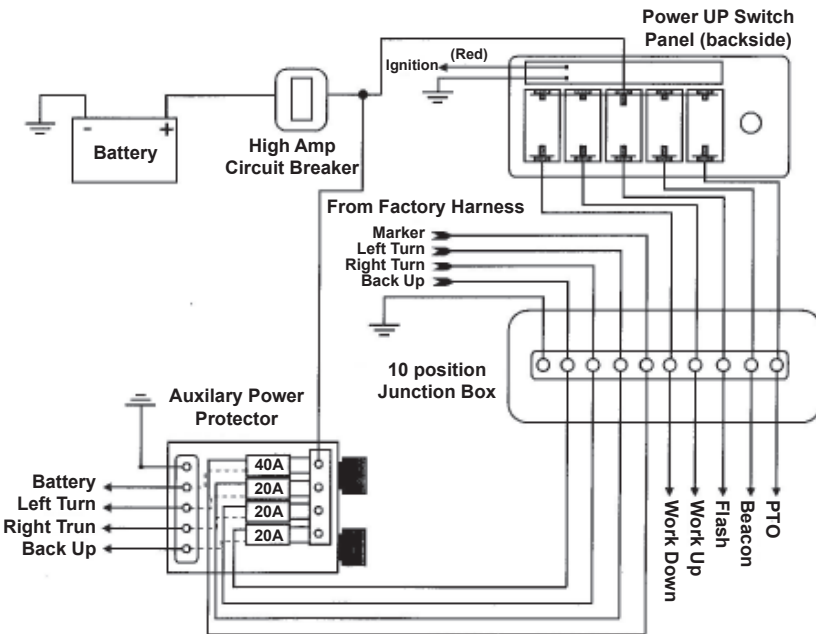
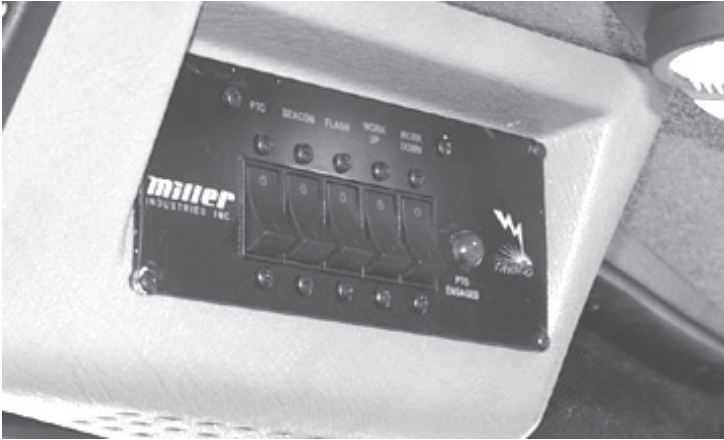
DOCK STABILIZER



| REF. NO. | PART NUMBER | DESCRIPTION |
|----------|-------------|--------------------------|
| 1 | 0805755 | DOCK STABILIZER WELDMENT |

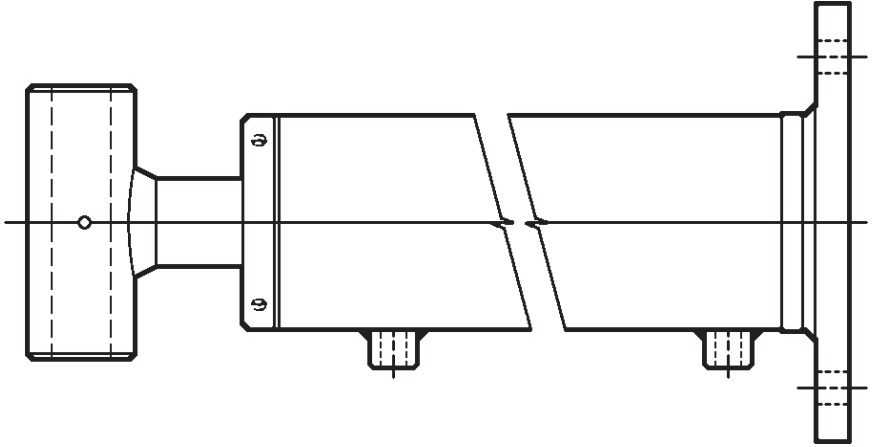
Section VI - PARTS (cont'd)

OPTIONAL DASHBOARD PANEL

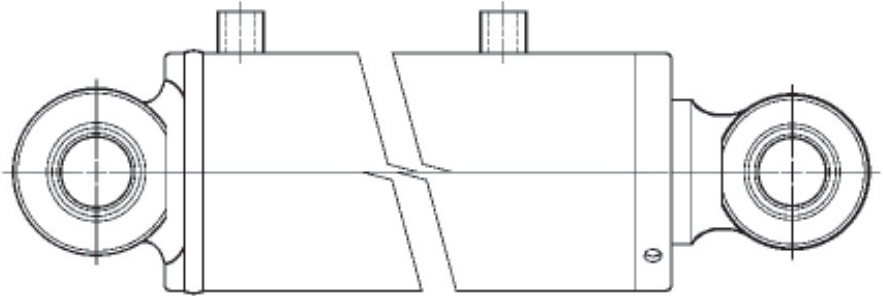


Section VI - PARTS (cont'd)

HYDRAULIC CYLINDERS



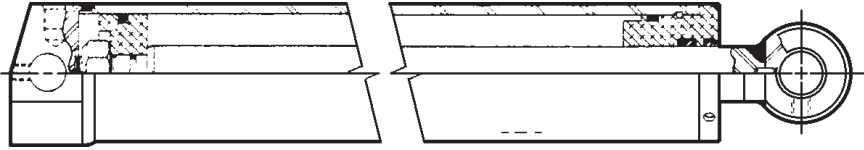
| REF. NO. | NO. REQ'D | PART NUMBER | DESCRIPTION |
|----------|-----------|-------------|----------------------|
| 1 | 1 | 0301970 | CYLINDER, BED EXTEND |
| 2 | -- | 0308385 | SEAL KIT, BED EXTEND |



| REF. NO. | NO. REQ'D | PART NUMBER | DESCRIPTION |
|----------|-----------|-------------|--------------------|
| 1 | 2 | 0302012 | CYLINDER, BED TILT |
| 2 | 1 | 0308384 | SEAL KIT, BED TILT |

Section VI - PARTS (cont'd)

HYDRAULIC CYLINDERS



| REF. NO. | NO. REQ'D | PART NUMBER | DESCRIPTION |
|----------|-----------|-------------|-----------------------------|
| 1 | 1 | 0302178 | CYLINDER, WHEEL LIFT EXTEND |
| 2 | -- | 0308388 | SEAL KIT, WHEEL LIFT EXTEND |



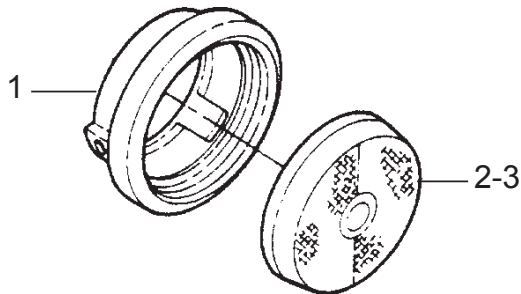
| REF. NO. | NO. REQ'D | PART NUMBER | DESCRIPTION |
|----------|-----------|-------------|-----------------------|
| 1 | 2 | 0302368 | CYLINDER, W/L UP/DOWN |
| 2 | 1 | 0308385 | SEAL KIT, W/L UP/DOWN |

Section VI - PARTS (cont'd)

LIGHT KIT



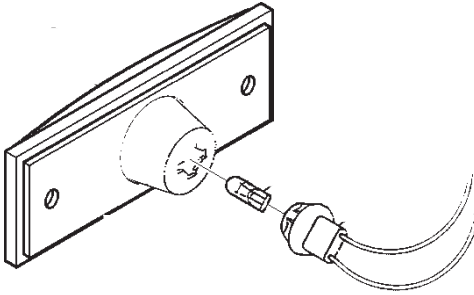
| REF. NO. | PART NUMBER | DESCRIPTION |
|----------|-------------|---------------------------------|
| 1 | 0301390 | LIGHT, SEALED RED (STOP & TURN) |
| 2 | 0302201 | LIGHT, SEALED WHITE (BACK-UP) |
| 3 | 0304127 | TAIL LIGHT GROMMET |



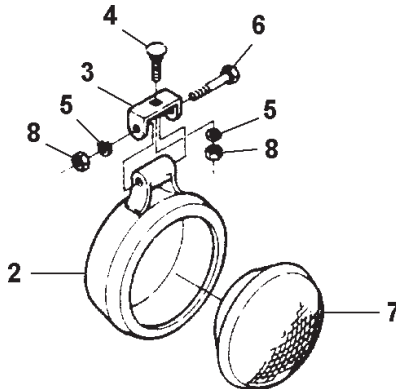
| REF. NO. | PART NUMBER | DESCRIPTION |
|----------|-------------|------------------------------|
| 1 | 0301740 | TAIL LIGHT GROMMET |
| 2 | 0301741 | LIGHT, SEALED RED (MARKER) |
| 3 | 0301742 | LIGHT, SEALED AMBER (MARKER) |

Section VI - PARTS (cont'd)

LIGHT KIT



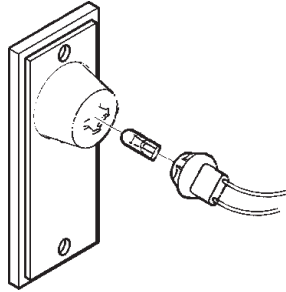
| REF. NO. | PART NUMBER | DESCRIPTION |
|----------|-------------|---|
| 1 | GP132 | LIGHT, AMBER MARKER, RECTANGULAR (COMPLETE) |
| 1 | GP131 | LIGHT, RED MARKER, RECTANGULAR (COMPLETE) |



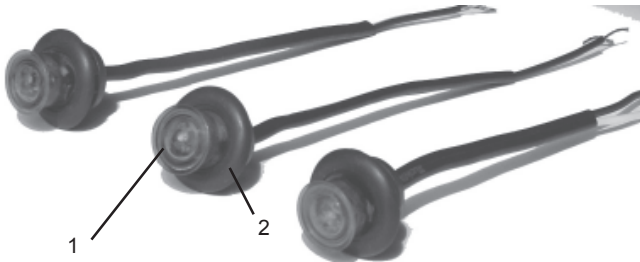
| REF. NO. | PART NUMBER | DESCRIPTION |
|----------|-------------|-----------------------|
| 1 | 0303109 | WORK LIGHT (COMPLETE) |
| 2 | 0304146 | HOUSING, WORK LIGHT |
| 3 | 0304148 | MOUNTING BRACKET |
| 4 | 0304149 | MOUNTING SCREW |
| 5 | 0304150 | LOCKWASHER |
| 6 | 0304151 | PIVOT SCREW |
| 7 | 0304152 | BULB, WORK LIGHT |
| 8 | 0304153 | NUT |

Section VI - PARTS (cont'd)

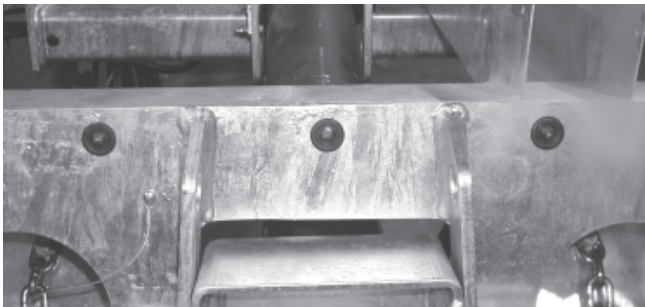
LIGHT KIT



| REF. NO. | PART NUMBER | DESCRIPTION |
|----------|-------------|---|
| 1 | LT0118 | LIGHT, AMBER MARKER, RECTANGULAR (COMPLETE) |
| 1 | LT0119 | LIGHT, RED MARKER, RECTANGULAR (COMPLETE) |

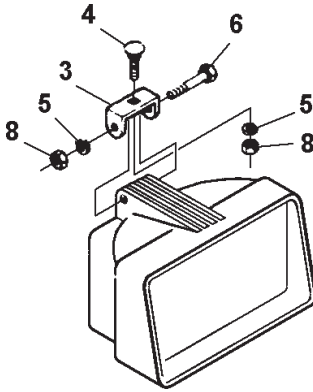


| REF. NO. | PART NUMBER | DESCRIPTION |
|----------|-------------|------------------|
| 1 | 0308502 | LED MARKER LIGHT |
| 2 | 0308503 | GROMMET |



Section VI - PARTS (cont'd)

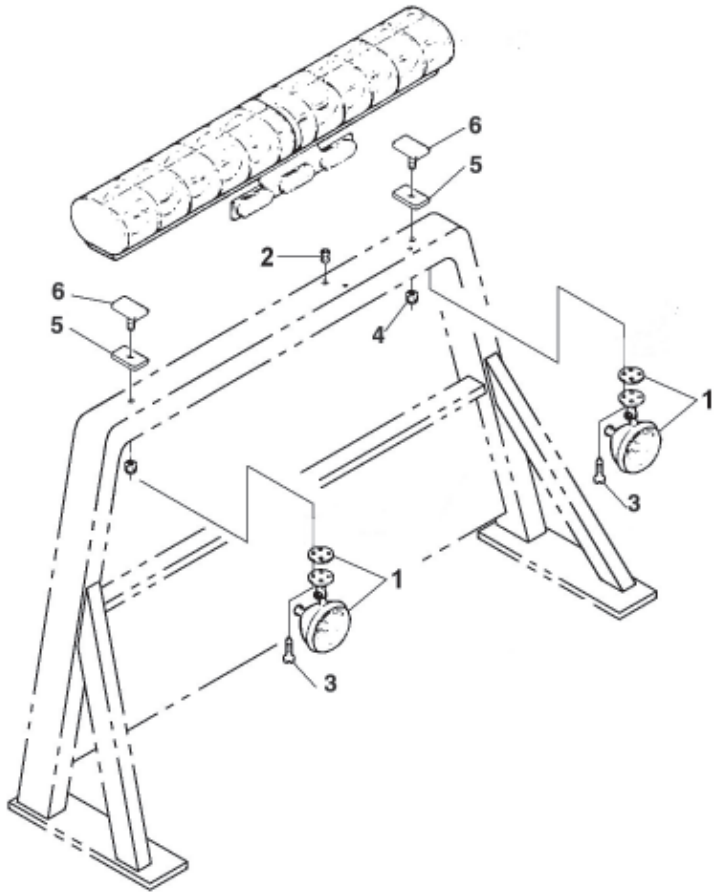
LIGHT KIT



| REF. NO. | PART NUMBER | DESCRIPTION |
|----------|-------------|-----------------------------------|
| 1 | 174008003 | RECTANGULAR WORK LIGHT (COMPLETE) |
| 2 | 0304146 | HOUSING, WORK LIGHT |
| 3 | 0304148 | MOUNTING BRACKET |
| 4 | 0304149 | MOUNTING SCREW |
| 5 | 0304150 | LOCKWASHER |
| 6 | 0304151 | PIVOT SCREW |
| 7 | 0304152 | BULB, WORK LIGHT |
| 8 | 0304153 | NUT |

Section VI - PARTS (cont'd)

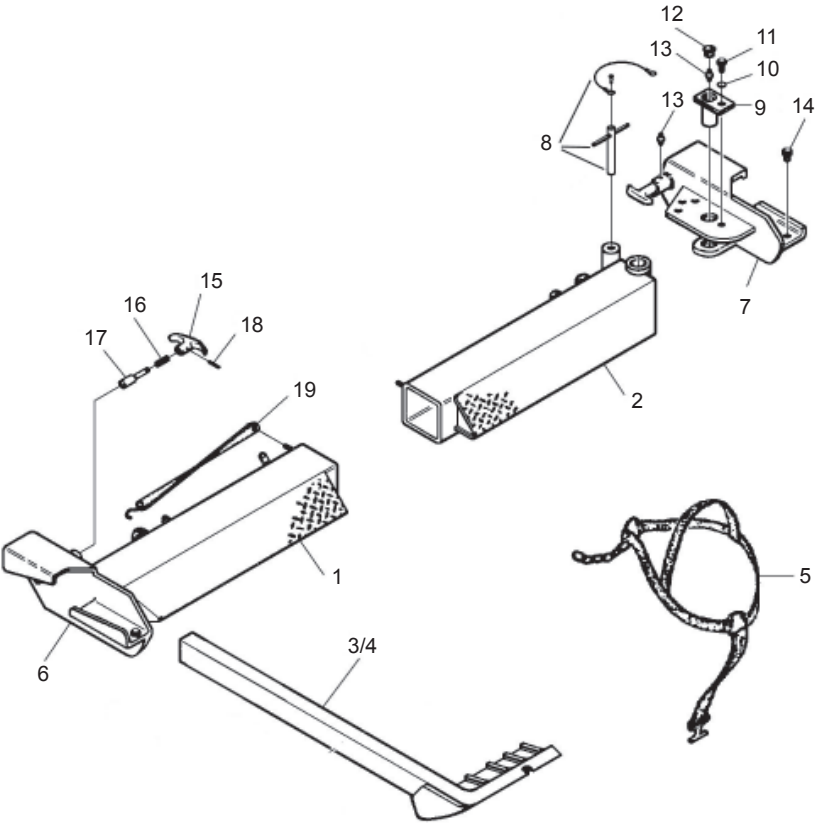
OPTIONAL LIGHTING ACCESSORIES



| REF. NO. | NO. REQ'D | PART NUMBER | DESCRIPTION |
|----------|-----------|-------------|---------------------------|
| 1 | 2 | 124001001 | SPOT LIGHT W/GASKET |
| 2 | 2 | 0300897 | GROMMET, RUBBER |
| 3 | 8 | 0400043 | #10-24 X 1" MACHINE SCREW |
| 4 | 2 | 0400392 | NUT, 3/8"-16 HEX NYLOK |
| 5 | 2 | 0709872 | RUBBER CUSHION |
| 6 | 2 | 0801777 | "T" BOLT ADAPTER |

Section VI - PARTS (cont'd)

OPTIONAL OUTER CROSSTUBE & 3-WAY PIVOT TIRE RESTRAINT ASSEMBLY



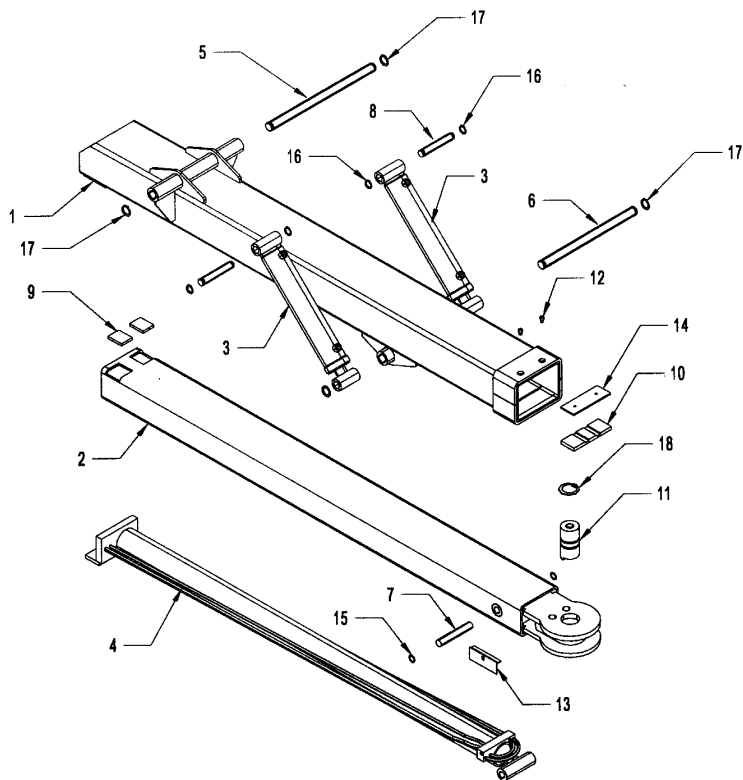
Section VI - PARTS (cont'd)

OPTIONAL OUTER CROSSTUBE & 3-WAY PIVOT TIRE RESTRAINT ASSEMBLY

| REF. NO. | NO. REQ'D | PART NUMBER | DESCRIPTION |
|-------------|--------------|----------------|--|
| 1 | 1 | 0909340 | OUTER XTUBE ASSY. LH(PIVOT) (COMPLETE) |
| 2 | 1 | 0909339 | OUTER XTUBE ASSY. RH(PIVOT) (COMPLETE) |
| 3 | 1 | 0803648 | RESTRAINT TIRE, LH (PIVOT) |
| 4 | 1 | 0803649 | RESTRAINT TIRE, RH (PIVOT) |
| 5 | 2 | 0902382 | NYLON POLY-COAT STRAP (PIVOT) |
| 6 | 1 | 0200012 | END PL, LH (CSTG) PIVOT |
| 7 | 1 | 0200013 | END PL, RH (CSTG) PIVOT |
| 8 | 2 | 0904744 | PIN ASSEMBLY |
| 9 | 2 | 0802187 | PIN, PIVOT |
| 10 | 2 | 0400483 | 3/8" INTERNAL TOOTH L/W Z |
| 11 | 2 | 0400349 | 3/8-16 x 3/4" FLAT HD. CAP SCREW |
| 12 | 2 | 0302640 | PLUG, DRY-OUT HOLE |
| 13 | 4 | 0300113 | GREASE FITTING STRAIGHT |
| 14 | 2 | 0712933 | ALIGNMENT PIN |
| 15 | 2 | 0302648 | T HANDLE (ALUMINUM) ANGLE STYLE |
| 16 | 2 | 0302641 | SPRING, PIVOT |
| 17 | 2 | 0707505 | PIN, PLUNGER |
| 18 | 2 | 0400560 | 5/32 x 1" TENSION PIN Z |
| 19 | 2 | 0301956 | TARP STRAP |

Section V I- PARTS (cont'd)

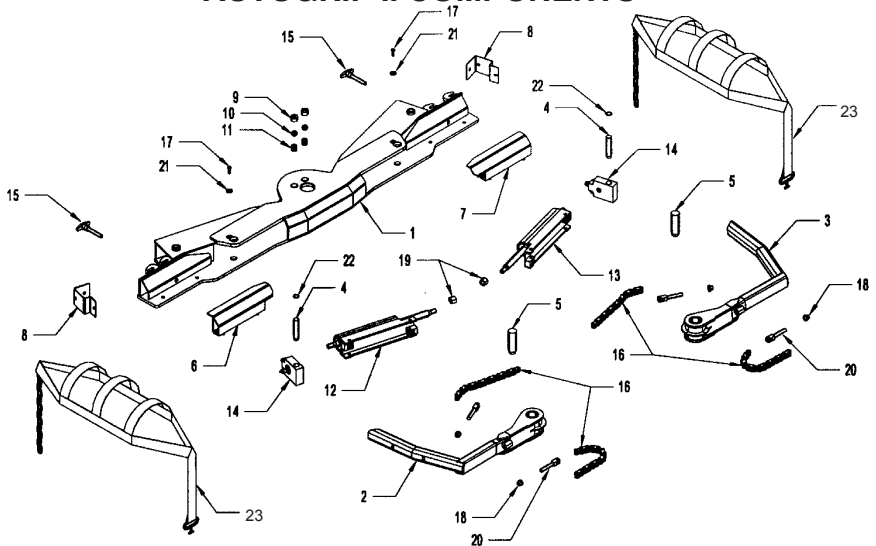
AUTOGRIP II COMPONENTS



| REF NO. | NO REQ'D | PART NUMBER | DESCRIPTION |
|---------|----------|-------------|-----------------------------------|
| 1 | 1 | 102512 | WHEEL LIFT TUBE - OUTER |
| 2 | 1 | 102522 | WHEEL LIFT TUBE - INNER |
| 3 | 2 | 72135 | WHEEL LIFT LIFT CYLINDER |
| 4 | 1 | 72129 | WHEEL LIFT EXTENSION CYLINDER |
| 5 | 1 | 14518 | WHEEL LIFT PIVOT PIN |
| 6 | 1 | 14519 | LIFT CYLINDER PIVOT PIN |
| 7 | 1 | 72940 | CYLINDER ROD PIN .980 x 6-5/8 |
| 8 | 2 | 17190 | CYLINDER BASE PIN .980 x 5-7/8 |
| 9 | 2 | 65612 | NYLATRON WEAR PAD |
| 10 | 1 | 65611 | NYLATRON WEAR PAD-GROOVED1 |
| 11 | 1 | 644402 | CROSSBAR PIVOT PIN 2-1/2 DIAMETER |
| 12 | 2 | 812A5 | SOCKET HEAD BUTTON - 3/8 x 1/2 |
| 13 | 2 | 64358 | HOSE CLAMP |
| 14 | 1 | 65616 | SHIM 1 |
| 15 | 2 | 86100I | SNAP-RING 1.00 INTERNAL |
| 16 | 4 | 86100E-1 | SNAP-RING 1.00 EXTERNAL-7200 |
| 17 | 4 | 86125E-1 | SNAP-RING 1.25 EXTERNAL-7220 |
| 18 | 1 | 86250I | SNAP-RING 2.500 INTERNAL |

Section VI - PARTS (cont'd)

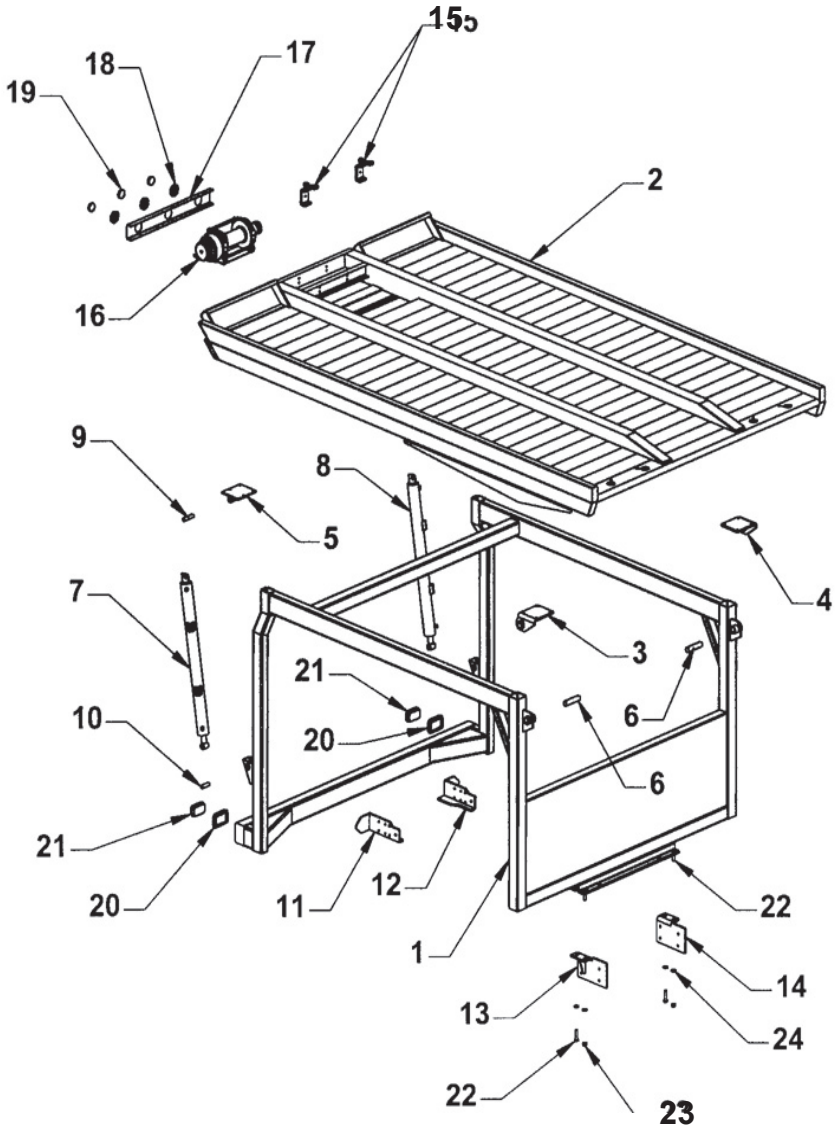
AUTOGRIP II COMPONENTS



| REF NO. | NO REQ'D | PART NUMBER | DESCRIPTION |
|---------|----------|-------------|---------------------------------------|
| 1 | 1 | 644002 | CROSSBAR WELDMENT |
| 2 | 1 | 644352CL | WHEEL RETAINER - LEFT |
| 3 | 1 | 644352CR | WHEEL RETAINER - RIGHT |
| 4 | 2 | 644432 | WHEEL RETAINER CYLINDER PIN |
| 5 | 2 | 644452 | ARM PIVOT PIN |
| 6 | 1 | 697402L | WHEEL SPACER - LEFT |
| 7 | 1 | 697402R | WHEEL SPACER - RIGHT |
| 8 | 2 | 644292 | HOSE GUARD |
| 9 | 2 | 64327 | SCREW-PLUG CROSSBAR DETENT |
| 10 | 2 | 69325 | CROSSBAR DETENT BALL |
| 11 | 2 | 69320 | CROSSBAR DETENT SPRING |
| 12 | 1 | 720152L | WHEEL RETAINER CYLINDER - LEFT |
| 13 | 1 | 720152R | WHEEL RETAINER CYLINDER - RIGHT |
| 14 | 2 | 727162 | L-ARM CYLINDER END BLOCK |
| 15 | 2 | 84291 | T-PIN 5/8 x 3 |
| 16 | 4 | 87440 | AUTOGRIP ARM CHAIN |
| | 4 | 81127 | 5/16 x 1-1/4 SHOULDER SHCS 1/4-20 UNC |
| | 4 | 83105 | 1/4-20 UNC NYLON LOCK NUT |
| 17 | 2 | 812A5 | 3/8 ALLEN BOLT |
| 18 | 4 | 83411 | 5/8 NYLON LOCK NUT |
| 19 | 2 | 83520 | 3/4 NYLON LOCK NUT |
| 20 | 4 | 64441 | CHAIN CLEVIS |
| | 4 | 81126 | 5/16 x 1 SHOULDER SHCS 1/4-20 UNC |
| | 4 | 83105 | 1/4-20 UNC NYLON LOCK NUT |
| 21 | 2 | 82110 | 5/16 FLAT WASHER |
| 22 | 2 | 861001 | SNAP-RING 1.000 INCH INTERNAL |
| 23 | 2 | 65286 | BASKET TIRE STRAP - AUTO |
| | 2 | 66287 | BASKET TIRE STRAP - TRUCK |

Section VI - PARTS (cont'd)

OPTIONAL CAB RACK ASSEMBLY



Section VI - PARTS (cont'd)

OPTIONAL CAB RACK ASSEMBLY

| REF. NO. | NO. REQ'D | PART NUMBER | DESCRIPTION |
|-------------|--------------|----------------|--|
| 1 | 1 | 40104 | CAB RACK FRAME GM KODIAK, INTERNATIONAL 4900 |
| -- | 1 | 40105 | CAB RACK FRAME INTERNATIONAL 4400, KENWORTH, FREIGHTLINER FL70 |
| -- | 1 | 40106 | CAB RACK FRAME FORD F750 |
| 2 | 1 | 41800 | STEEL DECK - STANDARD |
| -- | 1 | 41801 | STEEL DECK - SETBACK |
| -- | 1 | 41854 | ALUMINUM DECK - STANDARD |
| -- | 1 | 41855 | ALUMINUM DECK - SETBACK |
| 3 | 1 | 45165L | HINGE PLATE - LEFT |
| 4 | 1 | 45165R | HINGE PLATE - RIGHT |
| 5 | 2 | 45135 | CYLINDER BRACKET |
| 6 | 2 | 45120 | HINGE PIN |
| 7 | 1 | 72130L | LIFT CYLINDER - LEFT |
| 8 | 1 | 72130R | LIFT CYLINDER - RIGHT |
| 9 | 2 | 43145 | CYLINDER PIN - TOP |
| 10 | 2 | 43140 | CYLINDER PIN - BOTTOM |
| 11 | 1 | 434300L | FRONT MOUNTING BRACKET - LEFT |
| 12 | 1 | 434300R | FRONT MOUNTING BRACKET - RIGHT |
| 13 | 1 | 43250L | REAR MOUNTING BRACKET - LEFT |
| -- | 1 | 43250L2 | REAR MOUNTING BRACKET - LEFT INTL 4400 |
| 14 | 1 | 43250R | REAR MOUNTING BRACKET - RIGHT |
| 15 | 2 | 43535 | SAFETY CHAIN HOOK |
| 16 | 1 | 174006120 | PLANETARY WINCH |
| -- | 1 | 0308383 | WINCH CABLE 3/8" X 75 FT. |
| 17 | 1 | 43510 | ALUMINUM BEZEL |
| 18 | 3 | 93150 | GROMMET - MARKER LIGHT |
| 19 | 3 | 93100A | MARKER LIGHT - AMBER |
| 20 | 2 | 96550 | GROMMET - TURN SIGNAL |
| 21 | 2 | 98010 | TURN SIGNAL - AMBER |
| 22 | 4 | 81610 | BOLT 3/4-10 UNC X 3 GR5 |
| 23 | 4 | 83520 | NYLON LOCK NUT 3/4-10 UNC |
| 24 | 8 | 82510 | FLAT WASHER 3/4 |



8503 Hilltop Drive • Ooltewah, Tennessee 37363 • (423) 238-7227
www.millerind.com