



## OWNER'S MANUAL

# 600R

## PARTS

NOTE: MANUAL including SPECIFICATIONS, subject to change without notice.  
All ratings specified are based on structural factors only,  
not vehicle capacities or capabilities.



Miller Industries Towing Equipment Inc.  
8503 Hilltop Drive  
Ooltewah, Tennessee 37363  
Phone (423) 238-4171 • FAX (423) 238-5371

FORM NO. 0501688  
01 / 2010  
PRICE \$25.00

## LIMITED WARRANTY

MILLER INDUSTRIES TOWING EQUIPMENT INC., hereinafter referred to as MILLER, warrants to the original purchaser that each new MILLER wrecker or other MILLER products will be free from defects in material and workmanship for a period of twelve (12) months from date placed in service, but in no event shall such warranty period exceed twenty-four (24) months from date of manufacture by MILLER. The purchaser must promptly notify MILLER in writing of any failure in material or workmanship. In no event shall MILLER accept such notification later than twenty-four (24) months from date of delivery or twelve (12) months from date placed in service, whichever is earlier.

MILLER's obligation under this warranty, statutory or otherwise, is limited to the repair or replacement at the MILLER factory, or at a point designated by MILLER, of such part or parts as shall appear upon inspection by MILLER to be defective in material or workmanship. New or remanufactured parts will be used for any replacement at MILLER's option. This warranty is not transferable. This warranty does not obligate MILLER to bear the cost of labor or transportation charges in connection with the repair or replacement of any parts found to be defective, nor shall it apply to a product upon which repairs or alterations have been made unless authorized by MILLER.

EXCEPT AS EXPRESSLY SET FORTH IN THIS WARRANTY, MILLER MAKES NO OTHER WARRANTY, EXPRESS OR IMPLIED, AND HEREBY DISCLAIMS ALL OTHER WARRANTIES INCLUDING, BUT NOT LIMITED TO, THE IMPLIED WARRANTIES OF MERCHANTABILITY AND FITNESS FOR A PARTICULAR PURPOSE. MILLER shall in no event be liable for claimed downtime, claimed loss of profits or goodwill, or any other special, incidental, indirect, or consequential damages concerning or relating to any product or parts, whether based on negligence, strict liability, breach of contract, breach of warranty, misrepresentation or any other legal theory, regardless of whether the loss resulted from any general or particular requirement which MILLER knew or had reason to know about at the time of sale.

MILLER MAKES NO WARRANTY, EXPRESS OR IMPLIED, AS TO THE FINISHED PRODUCTS MANUFACTURED OR SUPPLIED BY ANOTHER MANUFACTURER AND SUPPLIED BY MILLER TO PURCHASER, including, but not limited to, any vehicle to which a MILLER product may be affixed or any accessories or wire rope, and MILLER EXPRESSLY DISCLAIMS ANY IMPLIED WARRANTIES OF MERCHANTABILITY OR FITNESS FOR A PARTICULAR PURPOSE AS TO SUCH EQUIPMENT OR PRODUCTS. This language shall in no way affect or diminish the rights of the purchaser to rely on such warranties as are extended by such manufacturers or suppliers. MILLER shall, to the extent permitted under applicable law, pass on to the purchaser such manufacturer's or seller's warranty.

MILLER, whose policy is one of continuous improvement, reserves the right to improve its products through changes in design or materials as it may deem desirable without being obligated to incorporate such changes in products previously sold. This warranty is not intended to cover or include the following items, which are set forth by way of example and not limitation:

- A. Normal deterioration of trim, paint, lettering, and appearance items due to wear or exposure to weather, road conditions, road treatments, etc.
- B. Any damage or defect due to accident, misuse, abuse, improper or unauthorized repairs, failure to provide reasonable and necessary maintenance, or uses for which the equipment was not designed or intended.
- C. Alterations or modifications that affect performance, operation or reliability.
- D. Normal maintenance parts including, but not limited to, wear pads, bushings, wire rope, mud flaps, fenderettes, light bulbs, hydraulic oil, filters, and tow sling belts.

**IT IS EXPRESSLY UNDERSTOOD THAT MILLER MAKES NO IMPLIED WARRANTY THAT MILLER PRODUCTS SHALL BE FIT FOR THE PURPOSE OF LIFTING OR MOVING PEOPLE OR FOR ANY OTHER IMPROPER USE.**



Miller Industries Towing Equipment Inc.  
8503 Hilltop Drive  
Ooltewah, Tennessee 37363  
Telephone (423) 238-4171

**SERIAL NUMBER**

## **OWNER, USER AND OPERATOR:**

We appreciate your choice of our towing and recovery unit for your application. Our number one priority is user safety which is best achieved by our joint efforts. We feel that you can make a major contribution to safety if you, as the equipment owner and operator:

1. **Comply with Federal, State, and Local Regulations.**
2. **Read, Understand, and Follow the Instructions in this Manual.**
3. **Use Good, Safe Work Practices in a Common Sense Way.**
4. **Only have Authorized and Trained Personnel performing maintenance on the Towing and Recovery Unit.**

# TABLE OF CONTENTS

It is assumed by the manufacturer that the Owner/Operator has a thorough knowledge of the accepted and lawful retrieval and towing methods as dictated by his city, county or state. The manufacturer rejects any liability claim that may result from the incorrect or unlawful application of its equipment.

## Section I - PARTS

SUBFRAME ASSEMBLY .....	I-2 thru I-5
BODY ASSEMBLY .....	I-6 & I-7
UNDERLIFT ASSEMBLY .....	I-8 & I-9
UNDERLIFT HOSE TENSIONER ASSEMBLY .....	I-10 & I-11
CROSSBAR & OUTER CROSSTUBE ASSEMBLY .....	I-12 & I-13
UNDERLIFT LIFT HYDRAULICS .....	I-14 & I-15
UNDERLIFT TILT & EXTEND HYDRAULICS .....	I-16 & I-17
600R RECOVERY FRAME ASSEMBLY .....	I-18 & I-19
600R RECOVERY BOOM ASSEMBLY .....	I-20 & I-21
600R RECOVERY BOOM HYDRAULICS .....	I-22 & I-23
PUMP, VALVE & FILTER HYDRAULICS .....	I-24 & I-25
CONTROL ASSEMBLY .....	I-26 & I-27
MANUAL IN/OUT FRONT OUTRIGGER ASSEMBLY .....	I-28 & I-29
MANUAL IN/OUT FRONT OUTRIGGER HYDRAULICS .....	I-30 & I-31
HYDRAULIC IN/OUT FRONT OUTRIGGER ASSEMBLY .....	I-32 & I-33
HYDRAULIC IN/OUT FRONT OUTRIGGER HYDRAULICS .....	I-34 & I-35
REAR OUTRIGGER ASSEMBLY .....	I-36 & I-37
REAR OUTRIGGER HYDRAULICS .....	I-38 & I-39
BOOM SWIVEL ASSEMBLY .....	I-40
HYDRAULIC CYLINDERS .....	I-41

## **Section VI - PARTS**

This Section is provided by the manufacturer for the purpose of ordering any component part of the **Holmes 600R** that may be required when part replacement is necessary. Be certain to use only original equipment replacement parts for warranty purposes as well as for keeping your unit in its original state and optimum operating capacities.

When ordering replacement or spare parts be sure to provide the following information to the manufacturer's **Parts Department**.

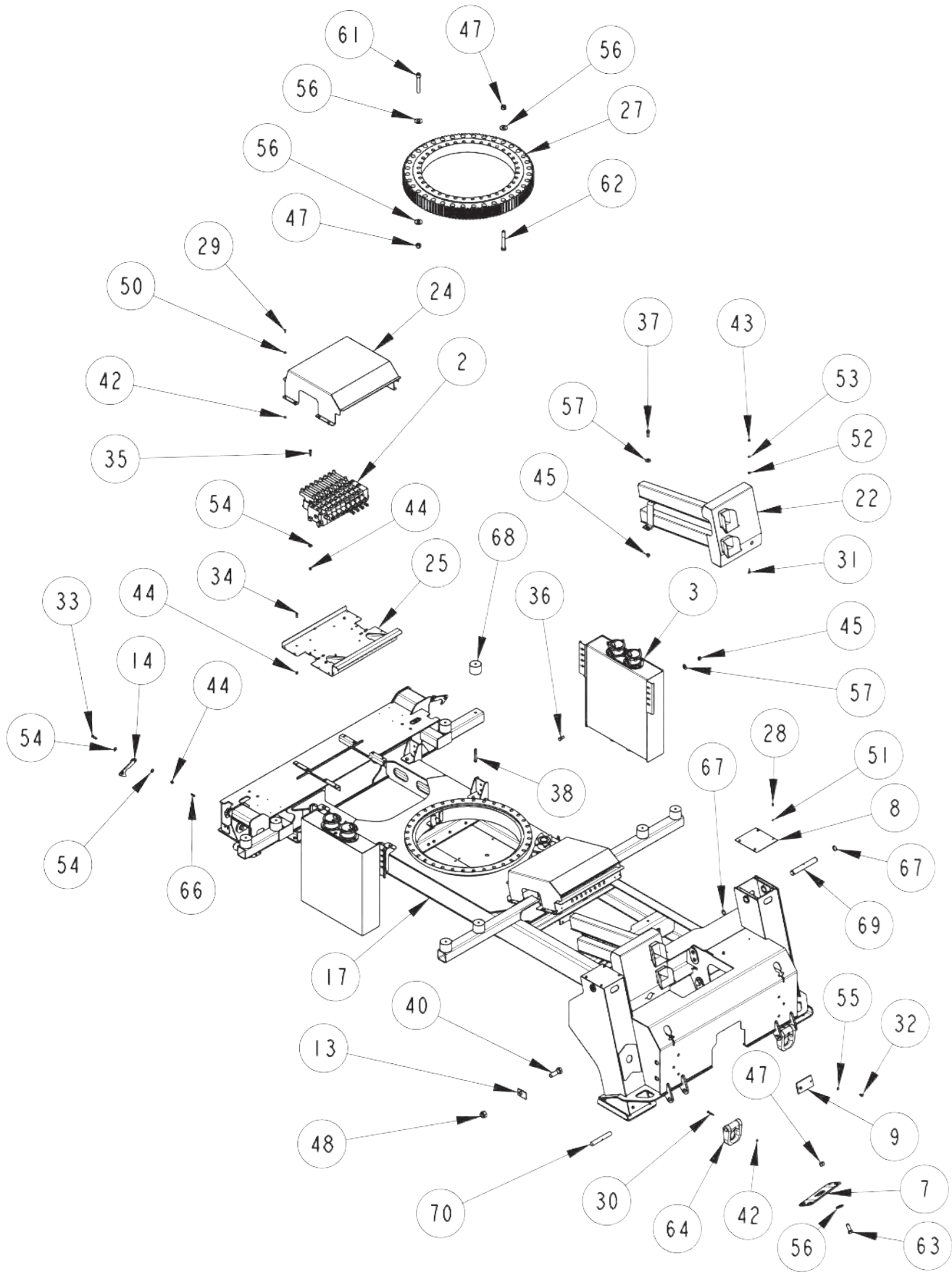
1. **Manual Number & Date of Publication**
2. **Manual Page Number**
3. **Page Title**
4. **Reference Number of Part Desired**
5. **Part Number**
6. **Part Description**
7. **Quantity of Part Desired**

Providing this information will help ensure that the correct parts will be delivered to you in an expedient manner without delay. Should additional information be required for repair or replacement of certain components, contact your Wrecker Manufacturer Authorized Representative.

The Manufacturer reserves the right, without notice or obligation, to improve or modify their products, which may change the specifications, models and feature availability.

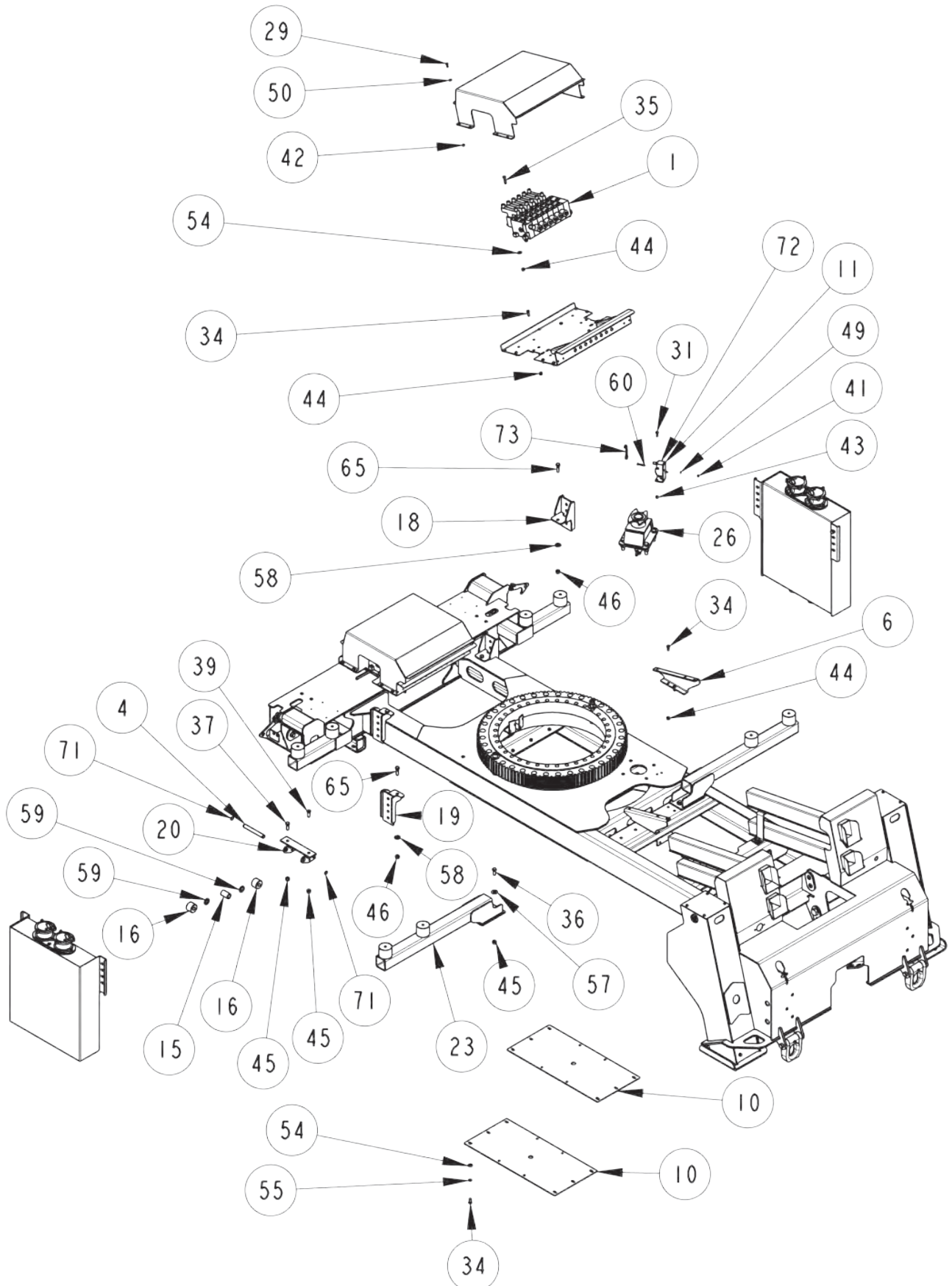
# Section I - PARTS (cont'd)

## SUBFRAME ASSEMBLY



# Section I - PARTS (cont'd)

## SUBFRAME ASSEMBLY



## Section I - PARTS (cont'd)

### SUBFRAME ASSEMBLY (cont'd)

ITEM	PART NUMBER	DESCRIPTION	QTY
1	512-086601	CONTROL VALVE, P70CF-06-US15-149	1
2	512-088301	CONTROL VALVE, P70CF-06-US15-148	1
3	3012-980100	HYDRAULIC TANK ASSY	2
4	3116-700007	PIN - FRONT OUTRIGGER OUTER ROLLER	2
5	3116-710021	LH DCV MTG. CHANNEL	1
6	3116-710022	RH DCV MTG. CHANNEL	1
7	3116-710024	TIE PLATE - JACKLEG / TILT COLUMN	1
8	3116-710025	COVER - JACK LEG	2
9	3116-710026	SPACER PLATE - REAR JACK LEG	4
10	3116-710027	BOTTOM SLEW COVER PANEL	2
11	3116-710028	CENTERING SWITCH MTG. ANGLE	1
12	3116-710030	1/4" SHIM PLATE - U/L ASSEMBLY	1
13	3116-710031	3/16" SHIM PLATE - U/L ASSEMBLY	1
14	3116-710032	LATCH PLATE	2
15	3116-710502	ROLLER SPACER	2
16	3116-716001	ROLLER - FRONT OUTRIGGER ASSY	4
17	3116-810000	SUBFRAME WELDMENT	1
18	3116-810200	RH HYD TANK MTG. BRACKET WELD'T	2
19	3116-810300	LH HYD. TANK MTG. BRACKET WELD'T	2
20	3116-810500	OUTSIDE ROLLER BRACKET WELD'T	2
21	3116-818000	LH RETAINER BRACKET WELD'T	1
22	3116-818100	RH RETAINER BRACKET WELD'T	1
23	3116-819000	REAR BODY MTG. BRACKET WELD'T	2
24	3116-819200	DCV COVEFR PANEL WELD'T	2
25	3116-819500	VALVE PAN WELDMENT	2
26	3116-919100	SLEW LOCK ASSEMBLY	1
27	0307650	BEARING ASSEMBLY	1
28	0400060	1/4-20 X 1/2 LG. HHCS GR.5	8
29	0400066	1/4-20 X 3/4 HHCS GR.5,ZP	16
30	0400078	1/4-20 X 2 HHCS GR5 ZP	2
31	0400109	5/16-18 X 1 HHCS GR.5,ZP	2
32	0400121	3/8-16NC X 3/4 HHCS GR. B	8
33	0400122	3/8-16 X 1 1/4 HHCS GR.5,ZP	2
34	0400126	3/8-16 X 1 HHCS GR.5,ZP	28
35	0400132	3/8-16 X 1 1/2 HHCS GR.5,ZP	6
36	0400177	1/2-13 X 1 1/4 HHCS GR. 5, ZP	5



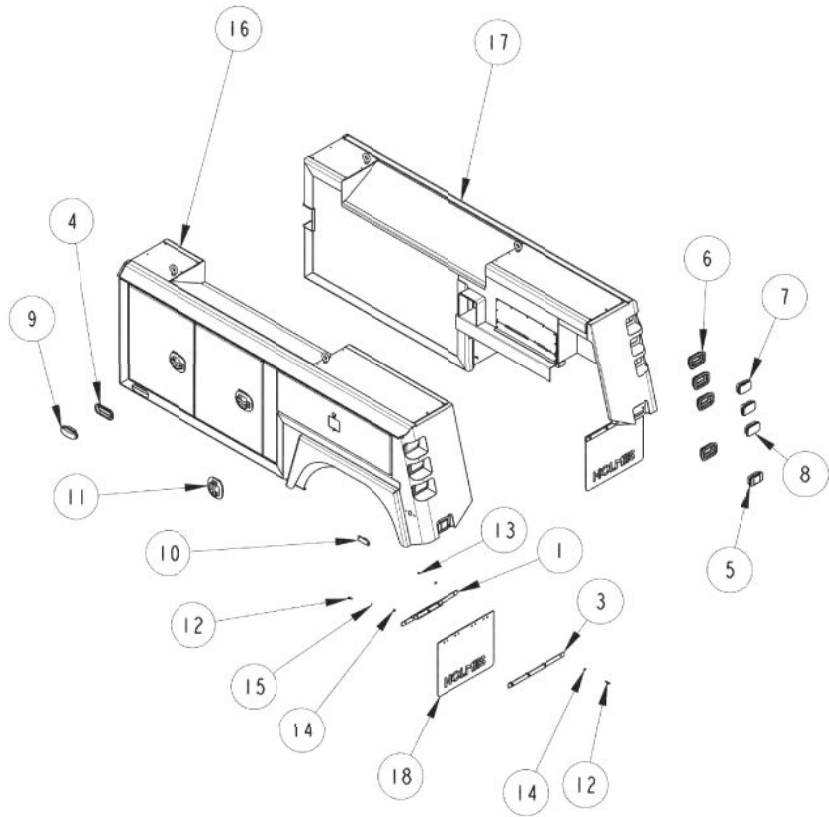
## Section I - PARTS (cont'd)

### SUBFRAME ASSEMBLY (cont'd)

ITEM	PART NUMBER	DESCRIPTION	QTY
37	0400181	1/2-13 X 1-1/2 HHCS GR 5 ZP	3
38	0400186	1/2-13 X 3-1/2 HHCS GR 5 ZP	8
39	0400193	1/2-13 X 1-1/2 FLAT HEAD SKT CAP SCREW	2
40	0400336	1-8 X 3 HHCS GR8 ZP	2
41	0400357	#10-32 NYLOCK HEX NUT ZP	2
42	0400367	1/4-20 NYLOCK HEX NUT ZP	18
43	0400382	5/16-18 NYLOCK HEX NUT ZP	6
44	0400392	3/8-16 NYLOCK HEX NUT ZP	25
45	0400408	1/2-13 NYLOCK HEX NUT ZP	10
46	0400416	1/2-13 NYLOCK HEX NUT GR.8, ZP	4
47	0400431	3/4-10 NYLOCK HEX NUT GR.8, ZP	3
48	0400443	1-8 NYLOCK HEX NUT GR.8 ZP	2
49	0400450	#10 FLATWASHER SAE ZP	2
50	0400451	1/4 FLAT WASHER ZP	16
51	0400452	1/4 HELICAL LOCK WASHER ZP	8
52	0400463	5/16 FLAT WASHER ZP	4
53	0400464	5/16 HELICAL LOCK WASHER ZP	4
54	0400480	3/8 FLAT WASHER ZP	22
55	0400482	3/8 HELICAL LOCK WASHER ZP	20
56	0400490	3/4 FLAT WASHER GR.8	4
57	0400492	1/2 FLAT WASHER ZP	6
58	0400497	1/2 FLAT WASHER GR.8,YZ PLATED	4
59	0400510	3/4 FLAT WASHER ZP	4
60	0400759	#10-32 X 1-3/4" PAN HEAD SCREW	2
61	0400760	3/4-10 X 5 SOCK.HD.CAP SCREW GR.8	1
62	0400763	3/4-10 X 5-1/4 LG. HHCS GR.8	1
63	0401021	3/4-10 X 2 HHCS GR.8 ZP	1
64	0712380	"D" RING	2
65	9041404	1/2-13 X 1-3/4 LG. HHCS GR.8	4
66	9046363	SPRING PIN, 5/16" X 1-1/4"	2
67	9056125	SNAP RING - 1-1/4" HEAVY DUTY	4
68	9402970	TOOLBOX MTG. PAD	8
69	810350002	PIN, UPPER TILT CYLINDER	2
70	BA0259	PIN, 'D' RING	2
71	HD0160	SNAP RING, 3/4" EXTERNAL	4
72	HE0239	LIMIT SWITCH, DOOR	1
73	HE0240	ARM, LIMIT SWITCH1	

Section I - PARTS (cont'd)

BODY ASSEMBLY



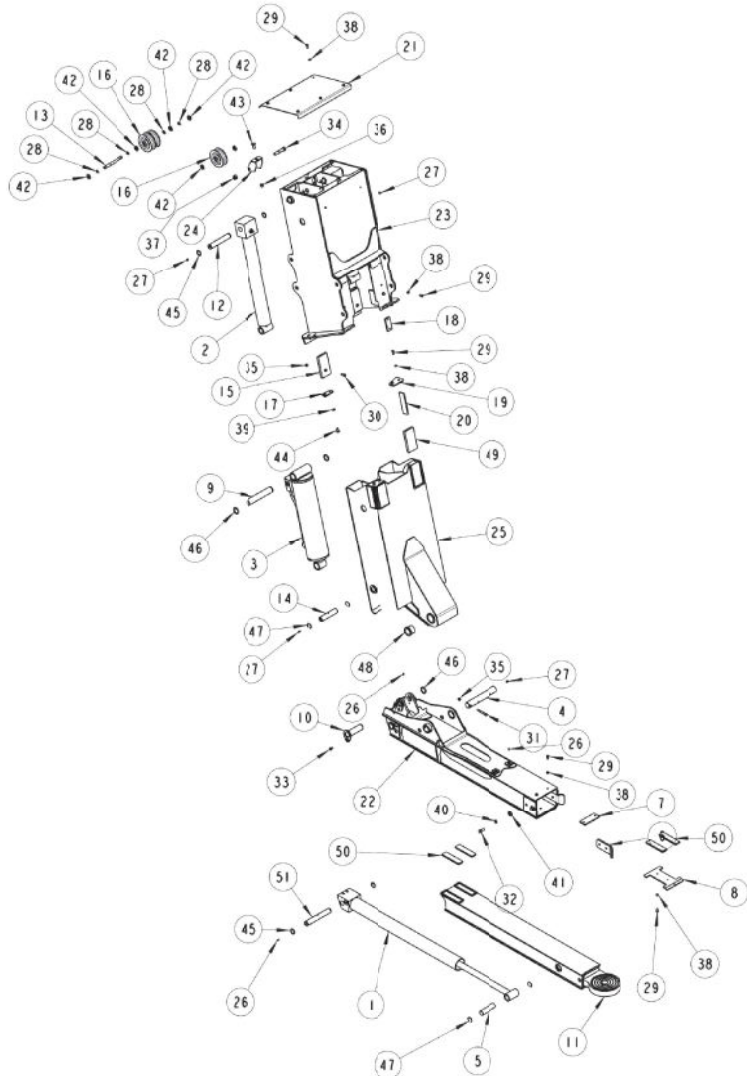
Section I - PARTS (cont'd)

BODY ASSEMBLY

ITEM	PART NUMBER	DESCRIPTION	QTY
1	3116-780004	LH MUD FLAP BRACKET	1
2	3116-780005	RH MUD FLAP BRACKET	1
3	3116-780006	PLATE-MUD FLAP BACKING	2
4	0303128	GROMMET, TAIL LIGHT	2
5	0306884	LIGHT, BACKUP	2
6	0306885	GROMMET, LED LIGHT 45 STT	8
7	0307215	LED LIGHT, RED 45 STT	4
8	0307216	LED LIGHT, AMBER 45 REAR TURN	2
9	0307220	LIGHT OVAL AMBER 60 LED	2
10	0307538	LIGHT, MARKER - RED 4.5 X 1.63	2
11	0311026	DOOR LATCH	6
12	0400103	5/16-18 X 1 1/4 HHCS GR.5, ZP	14
13	0400382	5/16-18 NYLOCK HEX NUT ZP	8
14	0400463	5/16 FLAT WASHER ZP	22
15	0400464	5/16 HELICAL LOCK WASHER ZP	6
16	3116-870000	BODY, LH WELDMENT ALUMINUM	1
17	3116-871000	BODY, RH WELDMENT ALUMINUM	1
18	GO-138B	MUDFLAP	2

Section I - PARTS (cont'd)

UNDERLIFT ASSEMBLY



I-8

Section I - PARTS (cont'd)

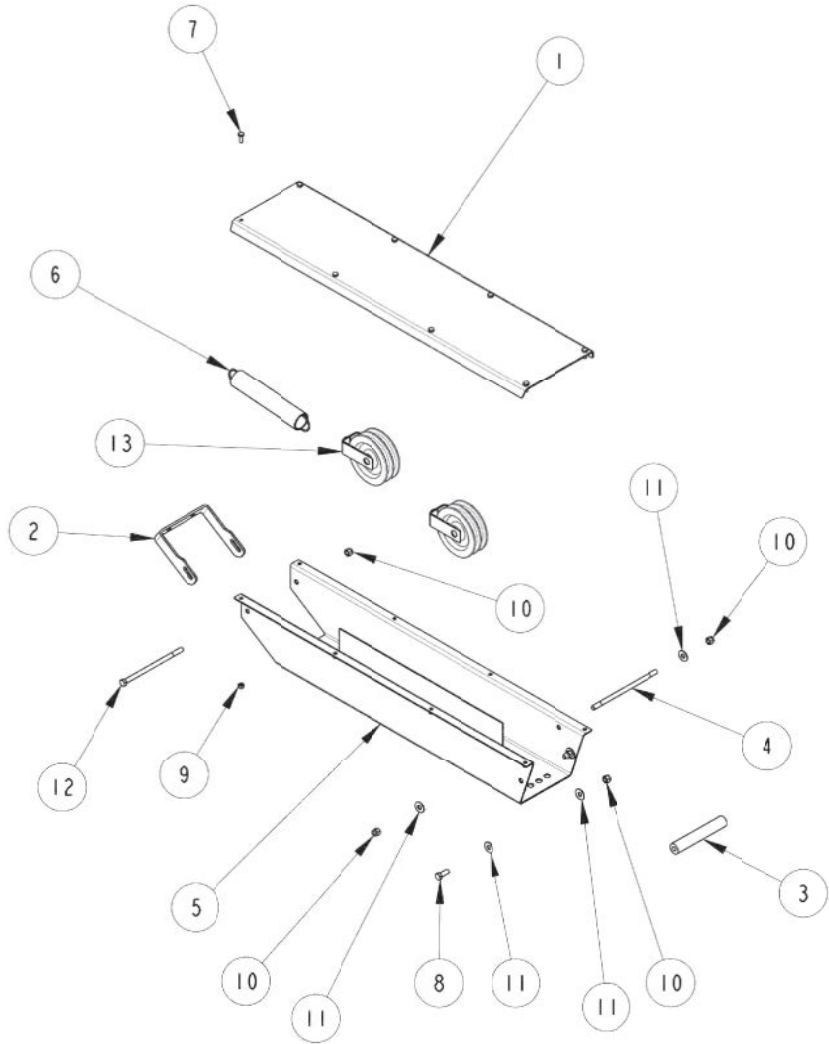
UNDERLIFT ASSEMBLY

ITEM	PART NUMBER	DESCRIPTION	QTY
1	511-3000002	CYL - STINGER EXTEND	1
2	511-3000004	CYLINDER ~ 3" BORE / 1-1/2" ROD	2
3	511-5000001	CYL - STINGER TILT	1
4	3012-7000002	PIN - STINGER	1
5	3012-7000003	PIN - UL EXT (ROD)	1
6	3012-7940002	PLATE - XBAR POSITIONING	2
7	3012-7940003	BAR - SPACER	1
8	3012-7940004	PLATE - UL PAD CAGE	1
9	3014-7000002	PIN - FOLD (BASE)	1
10	3014-8010000	PIN WELDMENT	1
11	3014-8500000	U/L INNER BOOM WELD'T	1
12	3116-7000001	PIN - STINGER UPPER LIFT	2
13	3116-7000002	PIN - HOSE SHEAVE ASSY	1
14	3116-7000003	PIN - STINGER UPPER LIFT	2
15	3116-7400001	PAD	2
16	3116-7490001	SHEAVE - HOSE TENSIONER ASSY	3
17	3116-7490002	PLATE - PAD RETAINER OUTER TILT	2
18	3116-7490003	SPACER PLATE - OUTER TILT COLUMN	2
19	3116-7490004	PLATE - PAD RETAIN INNER TLT COL	2
20	3116-7490005	SIDE WEAR PAD - INNER TILT COLUMN ASSY	2
21	3116-7490006	COVER - OUTER COLUMN	1
22	3116-8400000	OUTER STINGER WELDMENT	1
23	3116-8420000	OUTER TILT COLUMN WELDMENT	1
24	3116-8421000	FIXED SHEAVE BRACKET WELD'T	1
25	3116-8450000	INNER TILT COLUMN WELDMENT	1
26	0300113	GREASE FITTING, 1/4-28 STRAIGHT	5
27	0301895	GREASE FITTING, 1/8 NPT STRAIGHT	7
28	0307655	RETAINING RING - EXT. #5133-62	4
29	0400121	3/8-16NC X 3/4 HHCS GR. B	18
30	0400128	3/8-16X1.25 FLAT HD SOC	2
31	0400133	3/8-16 X 3 HHCS GR.5.ZP	1
32	0400218	1/2-13 X 1-1/4 HHCS GR. 5 ZP	4
33	0400223	3/8-16 X 3/4 FL. HD. SOCKET SCREW	1
34	0400257	5/8-11 X 3-1/4 HHCS GR5 ZP	1
35	0400392	3/8-16 NYLOCK HEX NUT ZP	3
36	0400408	1/2-13 NYLOCK HEX NUT ZP	1
37	0400421	5/8-11 NYLOCK HEX NUT ZP	1
38	0400482	3/8 HELICAL LOCK WASHER ZP	18
39	0400487	7/16 HELICAL LOCK WASHER ZP	4
40	0400491	1/2 HELICAL LOCK WASHER ZP	4
41	0400492	1/2 FLAT WASHER ZP	4
42	0400505	5/8 FLAT WASHER SAE	6
43	0400991	SCREW - 1/2-13 X 1-1/4 FHSS	1
44	9041353	7/16-20 UNF X 3/4 LG. HHCS	4
45	9056125	SNAP RING - 1-1/4" HEAVY DUTY	6
46	9056150	RETAINING RING, 1-1/2"	3
47	9057125	SNAP RING, 1-1/4" NOM INTERNAL	6
48	806510001	BEARING-FLANGED	2
49	880060004	WEAR PAD	2
50	896040002	NYLATRON PAD	4
51	897400001	PIN-FRONT-BOOM EXT.	1

I-9

Section I - PARTS (cont'd)

UNDERLIFT HOSE TENSIONER ASSEMBLY



I-10

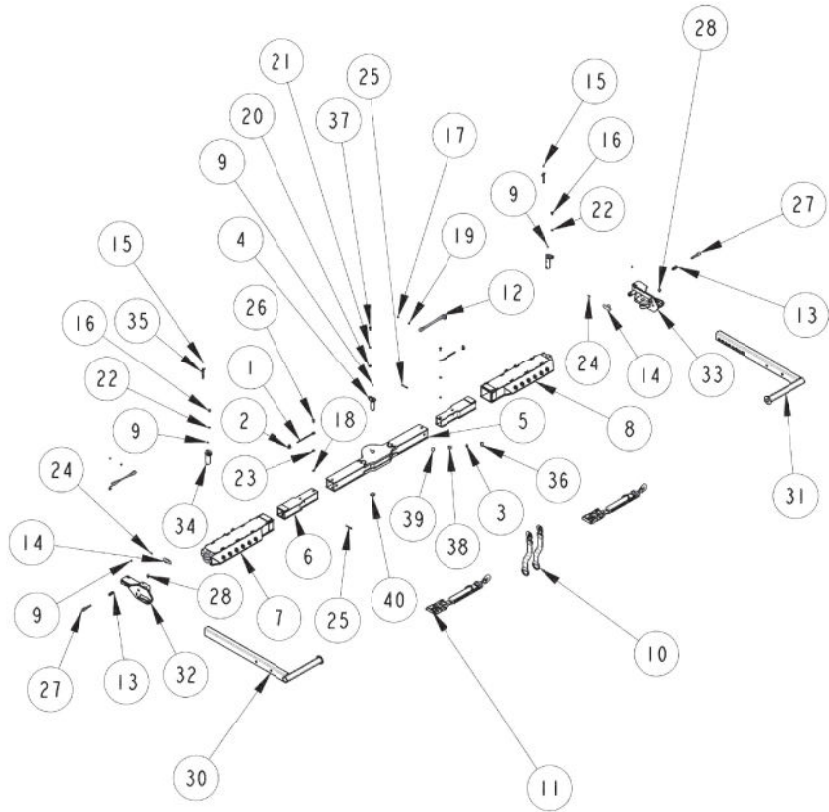
Section I - PARTS (cont'd)

UNDERLIFT HOSE TENSIONER ASSEMBLY

ITEM	PART NUMBER	DESCRIPTION	QTY
1	3116-744002	COVER - HOSE TENSIONER ASSY	1
2	3116-744003	SUPPORT CHANNEL	1
3	3116-744004	TENSION ROLLER	1
4	3116-744005	ROLLER SHAFT	1
5	3116-844300	HOSE TENSIONER CHANNEL WELD'T	1
6	0307115	SPRING, EXTENSION EXPRESS	1
7	0400066	1/4-20 X 3/4 HHCS GR.5,ZP	8
8	0400126	3/8-16 X 1 HHCS GR.5,ZP	2
9	0400367	1/4-20 NYLOCK HEX NUT ZP	8
10	0400392	3/8-16 NYLOCK HEX NUT ZP	5
11	0400480	3/8 FLAT WASHER ZP	6
12	0400758	3/8-16 X 7 LG. HHCS GR.5	1
13	810041500	TENSIONER BRACKET WELDMENT	2

I-11

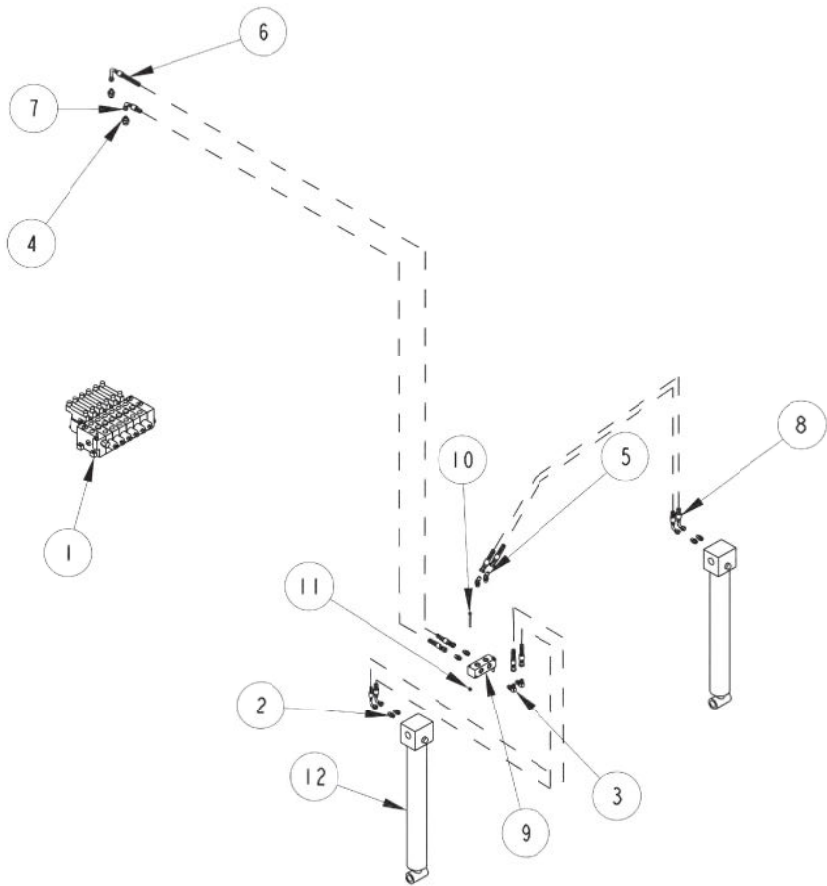
**Section I - PARTS (cont'd)**  
**UNDERLIFT CROSSBAR & OUTER CROSSTUBE ASSEMBLY**



**Section I - PARTS (cont'd)**  
**UNDERLIFT CROSSBAR & OUTER CROSSTUBE ASSEMBLY**

ITEM	PART NUMBER	DESCRIPTION	QTY
1	568-0480001	SPRING- CROSSBAR END	2
2	3014-760107	PIN - RETAINING	2
3	3014-796005	SPACER, CROSSBAR DIE SPRING	1
4	3014-801100	PIN - CROSSBAR	1
5	3014-860000	CROSSBAR-FABRICATED	1
6	3014-860100	EXTENSION BRKT - XBAR	2
7	3014-860600	CROSSTUBE- OUTER	1
8	3014-860700	CROSSTUBE- OUTER	1
9	0300113	GREASE FITTING, 1/4-28 STRAIGHT	5
10	0301681	TIRE RESTRAINT BELT EXTENSION	2
11	0301682	TIRE RESTRAINT BELT ASSEMBLY	2
12	0301956	STRAP, RUBBER 10" W/S-HOOK	2
13	0302641	SPRING - HOSE TENSIONER	2
14	0302648	T HANDLE	2
15	0400044	DRIVE SCREW, #10-24 X 1/2" RD HD	4
16	0400349	SCREW, 3/8"-16 X 3/4" FL HD SKT	2
17	0400367	1/4-20 NYLOCK HEX NUT ZP	2
18	0400398	3/8-16 NYLOCK HALF-NUT ZP	2
19	0400451	1/4 FLAT WASHER ZP	2
20	0400480	3/8 FLAT WASHER ZP	1
21	0400482	3/8 HELICAL LOCK WASHER ZP	1
22	0400483	LOCKWASHER, 3/8" COUNTERSUNK	2
23	0400485	3/8 SAE FLATWASHER GR8	2
24	0400559	3/16 X 1 ROLL PIN ZP	2
25	0400629	SCREW, 1/4"-20 X 3/4" FL SKT HD	2
26	0400980	3/8"-16 X 1" FL HD SKT CAP SCREW	2
27	0707505	PLUNGER PIN	2
28	0712933	ALIGNMENT PIN	2
29	0714415	PIN	2
30	0803641	TIRE RESTRAINT WELDMENT, LH	1
31	0803642	TIRE RESTRAINT WELDMENT, LH	1
32	0807485	L ARM RECIVER (LH)	1
33	0807486	L ARM RECIVER (RH)	1
34	0807504	PIVOT SHAFT	2
35	0904744	PIN ASSEMBLY	2
36	9012944	PIPE PLUG, 1" NPT SKT HD	1
37	9041205	3/8-16 X 1 LG. HHCS GR.8	1
38	9047057	DETENT SPRING	1
39	9052013	BALL, 1" CHROME	1
40	9056150	RETAINING RING, 1-1/2"	1
41	HD0107	SPRING PIN, 3/16 X 2	2

**Section I - PARTS (cont'd)**  
**UNDERLIFT LIFT HYDRAULICS**



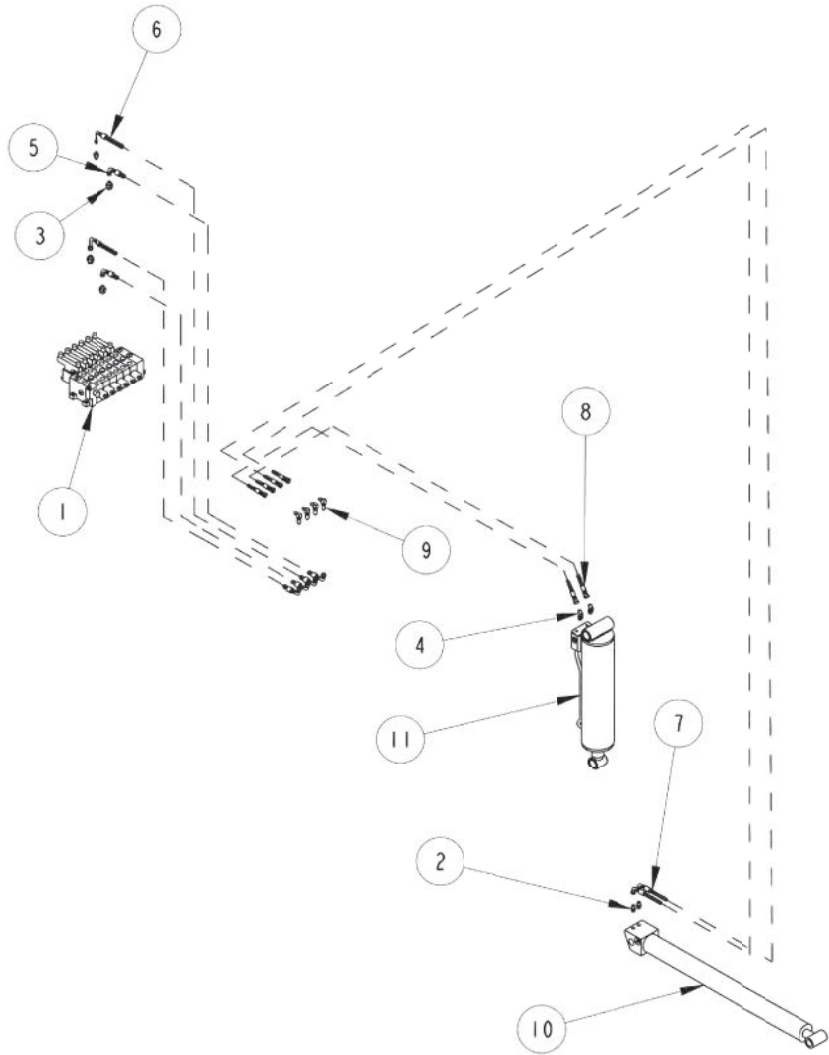
I-14

**Section I - PARTS (cont'd)**  
**UNDERLIFT LIFT HYDRAULICS**

ITEM	PART NUMBER	DESCRIPTION	QTY
1	512-086601	CONTROL VALVE, P70CF-06-US15-149	1
2	0301522	CONNECTOR 6MJ-6MB	6
3	0301620	FITTING, ELBOW, 6MJ-6MB90	2
4	0301778	CONNECTOR 6MJX10MB	2
5	0302509	ELBOW, 6MJ-6MB90	2
6	0302586	HOSE ASSY - 54" LG	1
7	0302604	HOSE ASSY - 44" LG	1
8	0302806	HOSE ASSY - 18" LG	4
9	0306700	MANIFOLD BLOCK	1
10	0400073	1/4-20 X 2 3/4 HHCS GR5 ZP	2
11	0400367	1/4-20 NYLOCK HEX NUT ZP	2
12	511-3000004	CYL, STINGER LIFT	2

I-15

**Section I - PARTS (cont'd)**  
**UNDERLIFT TILT & EXTEND HYDRAULICS**



I-16

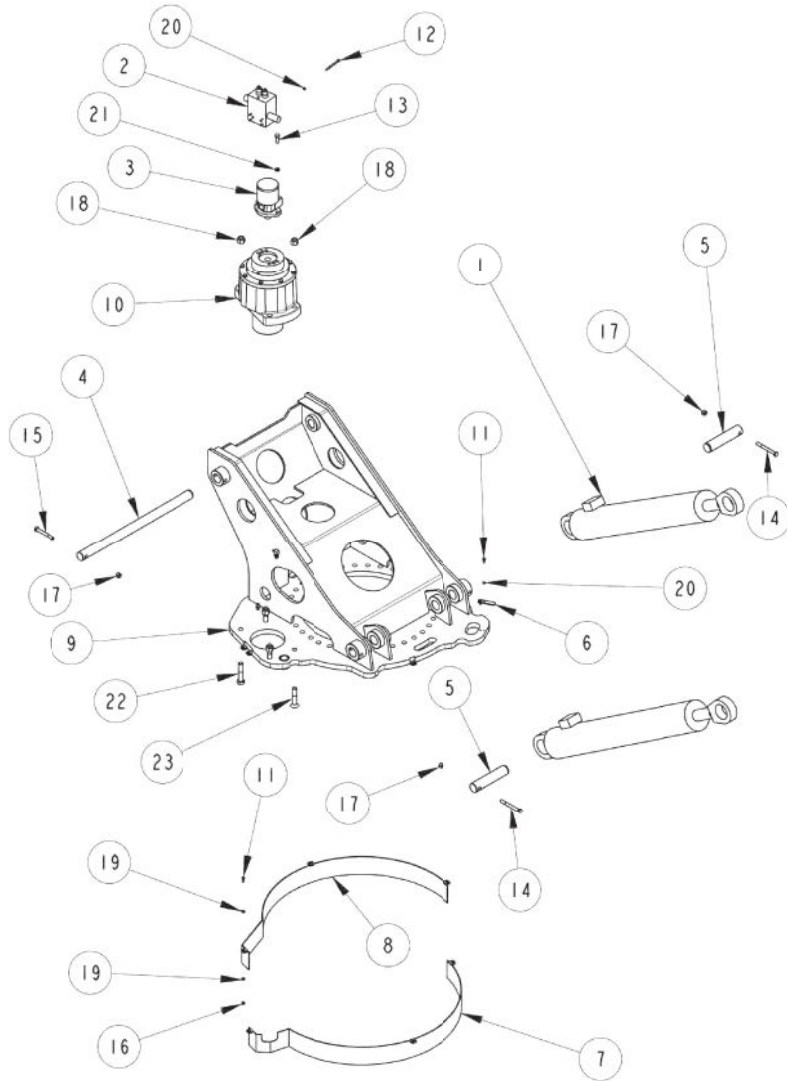
**Section I - PARTS (cont'd)**  
**UNDERLIFT TILT & EXTEND HYDRAULICS**

ITEM	PART NUMBER	DESCRIPTION	QTY
1	512-086601	CONTROL VALVE, P70CF-06-US15-149	1
2	0301522	CONNECTOR 6MJ-6MB	2
3	0301778	CONNECTOR 6MJX10MB	4
4	0302509	ELBOW, 6MJ-6MB90	2
5	0307669	HOSE ASSY - 60" LG	2
6	0307670	HOSE ASSY - 60" LG	2
7	0310088	HOSE ASSY - 108" LG	2
8	0310089	HOSE ASSY - 51" LG	2
9	FC41	ELBOW - BULKHEAD	4
10	511-3000002	CYL, STINGER EXTEND	1
11	511-5000001	CYL, STINGER TILT	1

I-17

Section I - PARTS (cont'd)

RECOVERY FRAME ASSEMBLY



I-18

Section I - PARTS (cont'd)

RECOVERY FRAME ASSEMBLY

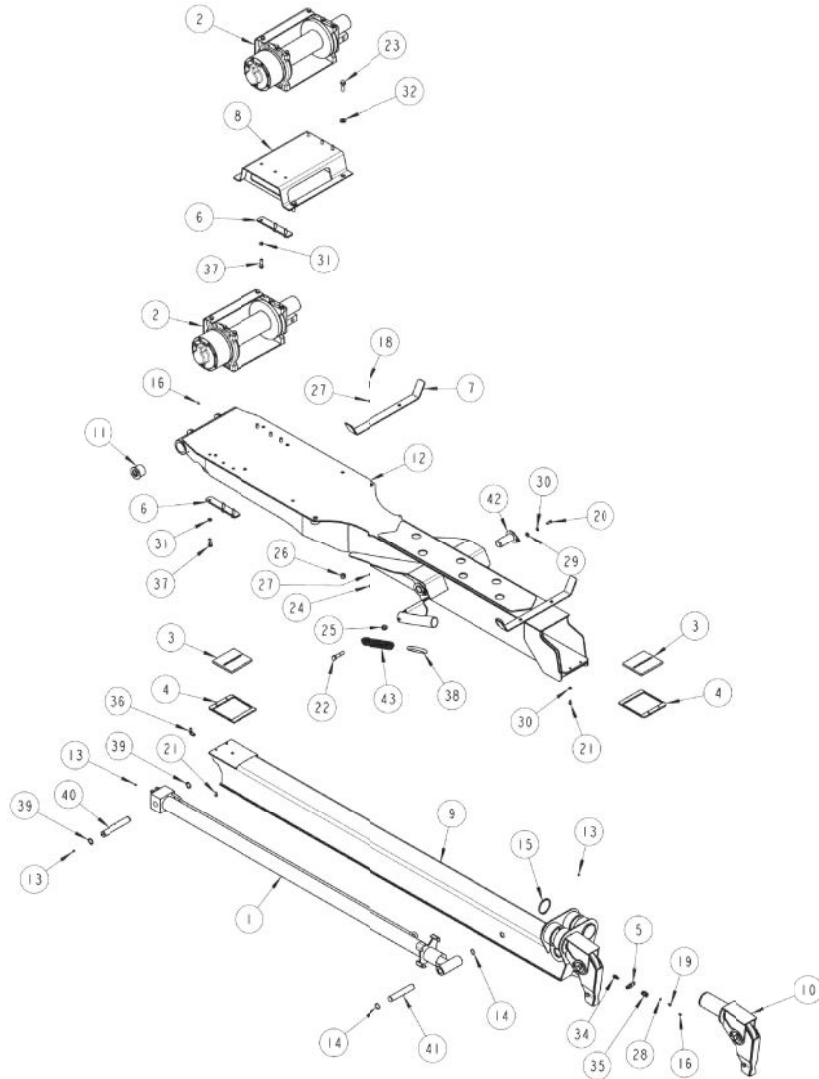
ITEM	PART NUMBER	DESCRIPTION	QTY
1	511-5000002	CYL, BOOM LIFT TUBE	2
2	512-080001	LOAD CONTROL VALVE DIR MOTOR M	1
3	515-000101	HYDRAULIC MOTOR, PARKER	1
4	3116-700008	PIN - MAIN BOOM PIVOT	1
5	3116-700009	PIN - MAIN BOOM LOWER LIFT CYL.	2
6	3116-710029	CENTERING SWITCH FLAG PLATE	1
7	3116-819300	REAR SLEW SHIELD WELD T	1
8	3116-819400	FRONT SLEW SHIELD WELD T	1
9	3116-890000	ROTATOR MAST WELDMENT ~ 16 TON	1
10	0307651	PLANETARY GEARBOX	1
11	0400066	1/4-20 X 3/4 HHCS GR.5,ZP	3
12	0400081	1/4-20 X 3-1/2 LG. HHCS GR.5	4
13	0400177	1/2-13 X 1 1/4 HHCS GR. 5, ZP	2
14	0400219	1/2-13 X 4-1/2 HHCS GR.5 ZP	2
15	0400237	1/2-13 X 4 HHCS GR 5 ZP	1
16	0400367	1/4-20 NYLOCK HEX NUT ZP	1
17	0400408	1/2-13 NYLOCK HEX NUT ZP	3
18	0400431	3/4-10 NYLOCK HEX NUT GR.8, ZP	4
19	0400451	1/4 FLAT WASHER ZP	2
20	0400452	1/4 HELICAL LOCK WASHER ZP	6
21	0400491	1/2 HELICAL LOCK WASHER ZP	2
22	0400761	3/4-10 X 3-3/4 LG. HHCS GR.8	2
23	0400762	3/4"-10 X 3-3/4" LG. FL HD SKT CAP SCREW	2

I-19



Section I - PARTS (cont'd)

RECOVERY BOOM ASSEMBLY



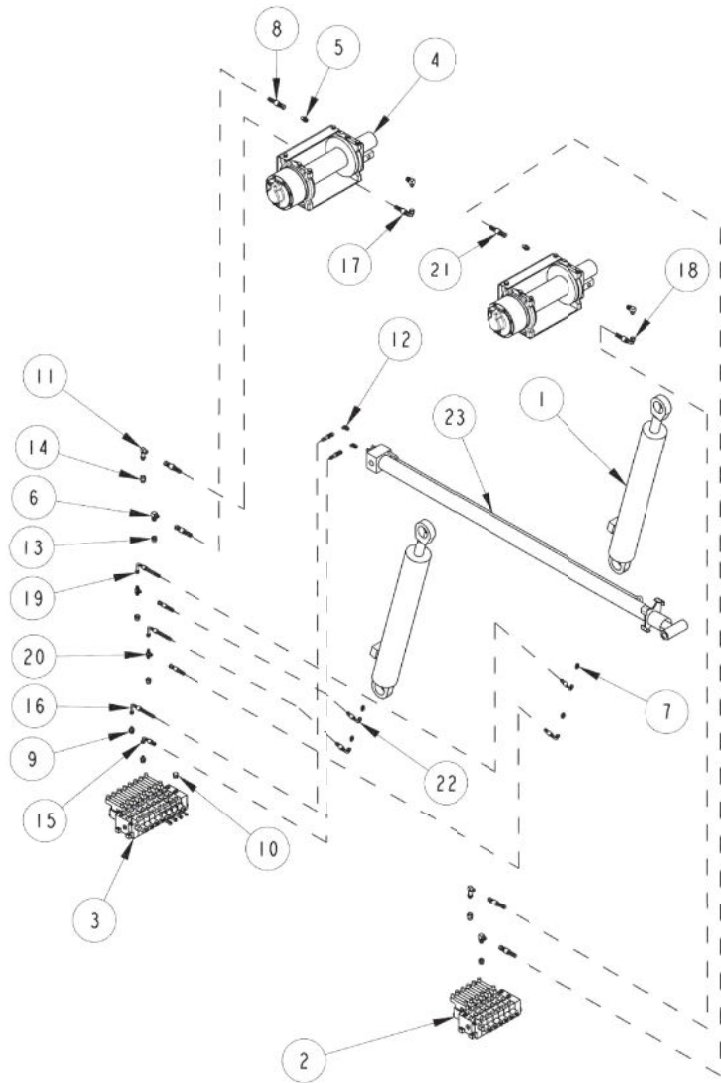
Section I - PARTS (cont'd)

RECOVERY BOOM ASSEMBLY

ITEM	PART NUMBER	DESCRIPTION	QTY
1	511-3000001	CYL - MAIN BOOM EXT	1
2	514-1501101	WNCH, 15K DP 15J	2
3	535-0500001	NYLATRON PAD	2
4	3012-792002	PLATE - PAD CAGE	2
5	3012-793001	PLATE - LUBE MOUNT	1
6	3014-791001	PLATE - 14K WASHER	4
7	3014-792001	PLATE - CABLE WING	2
8	3014-821000	BRACKET - 14K DP	1
9	3014-830000	INNER BOOM WELDMT-DUAL DP8_10	1
10	3014-931000	SHEAVE ASSY - 3014	2
11	3116-792001	FLANGED BEARING - BOOM PIVOT	2
12	3116-820000	MAIN BOOM WELDMENT	1
13	0300113	GREASE FITTING, 1/4-28 STRAIGHT	4
14	0301642	SNAP RING, 1-1/4"	2
15	0301814	RETAINING RING, 3-1/2" EXTERNAL	2
16	0301895	GREASE FITTING, 1/8 NPT STRAIGHT	2
17	0301949	3/8" OD AIRLINE - SYNDFLEX HOSE	1
18	0400057	1/4-20 X 1-1/4 HHCS ZP	4
19	0400060	1/4-20 X 1/2 LG, HHCS GR.5	2
20	0400126	3/8-16 X 1 HHCS GR.5 ZP	2
21	0400147	3/8-24X 5/8 HHCS GR5 ZP	4
22	0400257	5/8-11 X 3-1/4 HHCS GR5 ZP	2
23	0400274	5/8-11 X 2 HHCS GR 8 YZ P	4
24	0400367	1/4-20 NYLOCK HEX NUT ZP	4
25	0400421	5/8-11 NYLOCK HEX NUT ZP	2
26	0400426	5/8-11 NYLOCK NUT GR.8 ZP	4
27	0400451	1/4 FLAT WASHER ZP	8
28	0400452	1/4 HELICAL LOCK WASHER ZP	2
29	0400480	3/8 FLAT WASHER ZP	2
30	0400482	3/8 HELICAL LOCK WASHER ZP	4
31	0400491	1/2 HELICAL LOCK WASHER ZP	12
32	0400503	5/8 FLAT WASHER GR.8	4
33	0402118	5/16 HELICAL LOCK WASHER SS	2
34	9012549	CONNECTOR, 3/8 TUBE X 1/8 NPT	1
35	9012552	BULKHEAD COUPLING, 1/8	1
36	9012584	ELBOW, 1/4 NPT X 3/8 TUBE 90	1
37	9041404	1/2-13 X 1-3/4 LG, HHCS GR.8	12
38	9048800	5/8 WELDLESS CHAIN LINK	2
39	9056125	SNAP RING - 1-1/4" HEAVY DUTY	2
40	897400001	PIN-FRONT-BOOM EXT.	1
41	897400002	PIN-FRONT-BOOM EXT.	1
42	915352000	PIN WELD'T - CYL. MTG.	2
43	945030007	SPRING - HOSE TENSIONER	2

Section I - PARTS (cont'd)

RECOVERY BOOM HYDRAULICS



I-22

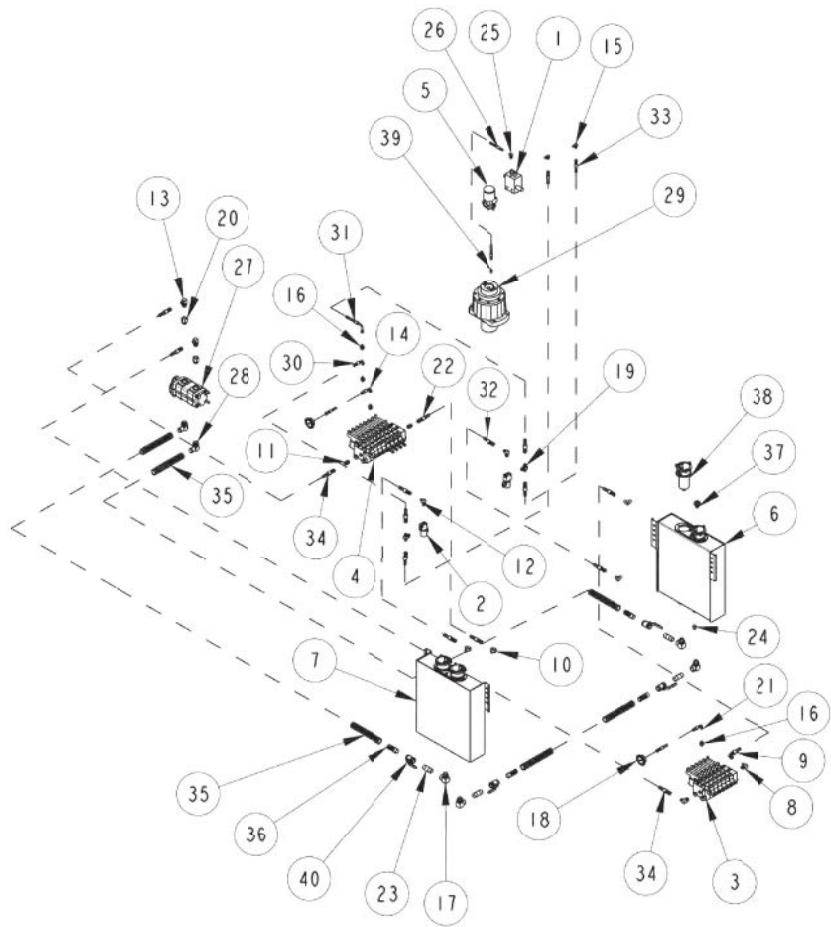
Section I - PARTS (cont'd)

RECOVERY BOOM HYDRAULICS

ITEM	PART NUMBER	DESCRIPTION	QTY
1	511-5000002	CYL, BOOM LIFT TUBE	2
2	512-086601	CONTROL VALVE, P70CF-06-US15-149	1
3	512-088301	CONTROL VALVE, P70CF-06-US15-148	1
4	514-1501101	WNCH, 15K DP 15J	2
5	0300041	CONNECTOR 8MJX8MB	2
6	0301388	ELBOW, 8MJ-8MB90	4
7	0301522	CONNECTOR 6MJ-6MB	4
8	0301659	HOSE ASSY - 150" LG	1
9	0301778	CONNECTOR 6MJX10MB	2
10	0301783	CONNECTOR 8MJX10MB	4
11	0302508	ELBOW, 8MJ-8MB90LL	2
12	0302509	ELBOW, 6MJ-6MB90	2
13	0303174	CONNECTOR 10MPX8FB	4
14	0303176	CONNECTOR 10MPX8FB	2
15	0307658	HOSE ASSY - 105" LG	1
16	0307659	HOSE ASSY - 105" LG	1
17	0307662	HOSE ASSY - 150" LG	1
18	0307663	HOSE ASSEMBLY, 185"	1
19	0307668	HOSE ASSY - 120" LG	2
20	9012594	FITTING, HYD RUN TEE, 6MJ-6MB-6MJ	2
21	12833018	HOSE ASSY - 185" LG	1
22	806750109	HOSE ASSY	2
23	511-3000001	CYL, MAIN BOOM EXTENSION	1

I-23

**Section I - PARTS (cont'd)**  
**PUMP, VALVE & FILTER HYDRAULICS**

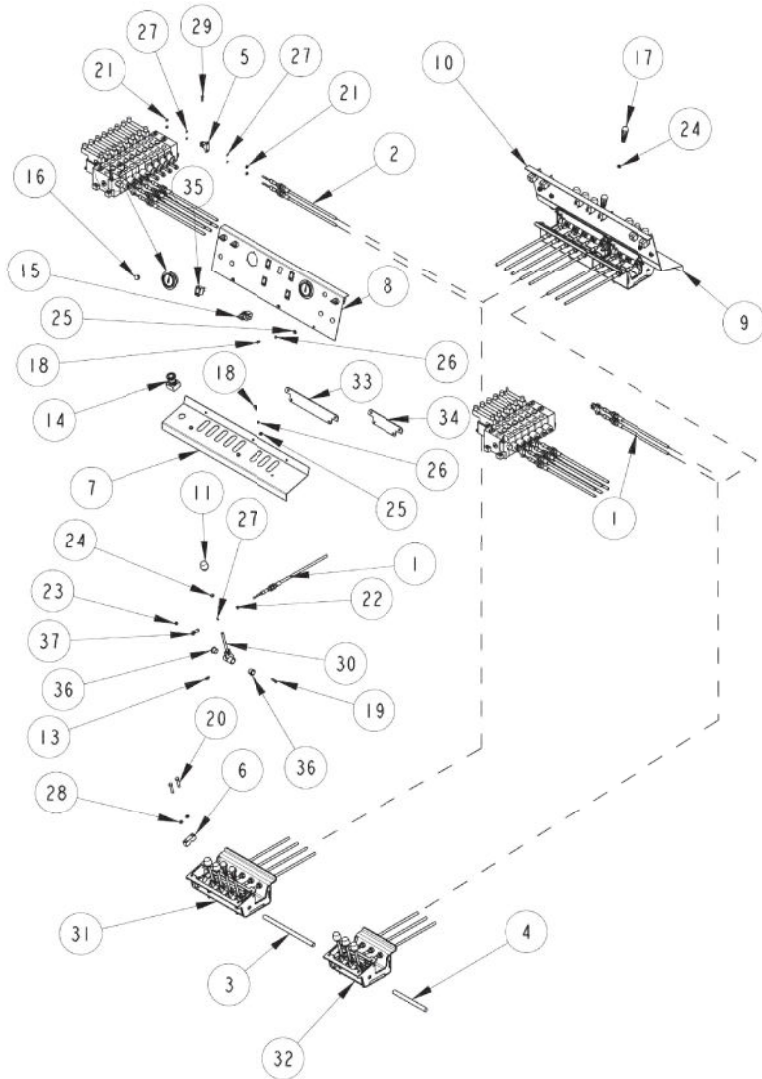


**Section I - PARTS (cont'd)**  
**PUMP, VALVE & FILTER HYDRAULICS**

ITEM	PART NUMBER	DESCRIPTION	QTY
1	512-080001	LOAD CONTROL VALVE DIR MOTOR M	1
2	512-081101	SOLENOID OPERATED VALVE 2 WAY	2
3	512-086601	CONTROL VALVE, P70CF-06-US15-149	1
4	512-088301	CONTROL VALVE, P70CF-06-US15-148	1
5	515-000101	HYDRAULIC MOTOR, PARKER	1
6	3012-880100	HYDRAULIC TANK WELDMT	2
7	3012-980100	HYDRAULIC TANK ASSY	2
8	0300052	ELBOW, 8MJ-10MB90	2
9	0300787	HOSE ASSEMBLY - 53" LG	1
10	0301371	ELBOW, 8MJ-12MP90	4
11	0301376	CONNECTOR 8MJX10MB	2
12	0301388	ELBOW, 8MJ-8MB90	2
13	0301547	ELBOW, 8MJ-12MB90	2
14	0301581	HOSE ASSY - 119" LG	1
15	0301620	FITTING, ELBOW, 6MJ-6MB90	2
16	0301778	CONNECTOR 6MJX10MB	4
17	0302084	ELBOW, 16MB-16FB90	4
18	0302205	GAUGE, FLUSH MOUNT 6000 PSI	2
19	0302842	ELBOW, 8MJ-8MB90	2
20	0302906	ADAPTER, 16MB-12FB	2
21	0302909	HOSE ASSY - 36" LG	1
22	0302955	HOSE ASSY - 48 1/4"	1
23	0302959	PIPE NIPPLE, 1" NPT X 3"	4
24	0303155	PIPE PLUG - 3/4 NPT (MAGNETIC)	2
25	0303366	FITTING, ELBOW, 4MJ-6MB90	1
26	0303861	HOSE ASSEMBLY, 17"	1
27	0303867	PUMP, BI-ROTATIONAL	1
28	0306539	HOSE BARB, 20HOSE-16MB90	2
29	0307651	PLANETARY GEARBOX	1
30	0307664	HOSE ASSY - 18" LG	1
31	0307665	HOSE ASSY - 29" LG	1
32	0307666	HOSE ASSY - 120" LG	2
33	0307667	HOSE ASSY - 91" LG	2
34	0307812	HOSE ASSY - 222" LG	2
35	0310019	SUCTION HOSE, 12 FT (1" ID)	1
36	9012927	PIPE NIPPLE, 1" NPT X 1-1/4" BARB	4
37	9018131	BREATHER CAP	2
38	9018399	IMMERSION FILTER ASSEMBLY	4
39	HC1291	CONNECTOR, 4MJ-4MB STR	1
40	HC1338	BALL VALVE, 1" BRASS	4

Section I - PARTS (cont'd)

CONTROL ASSEMBLY



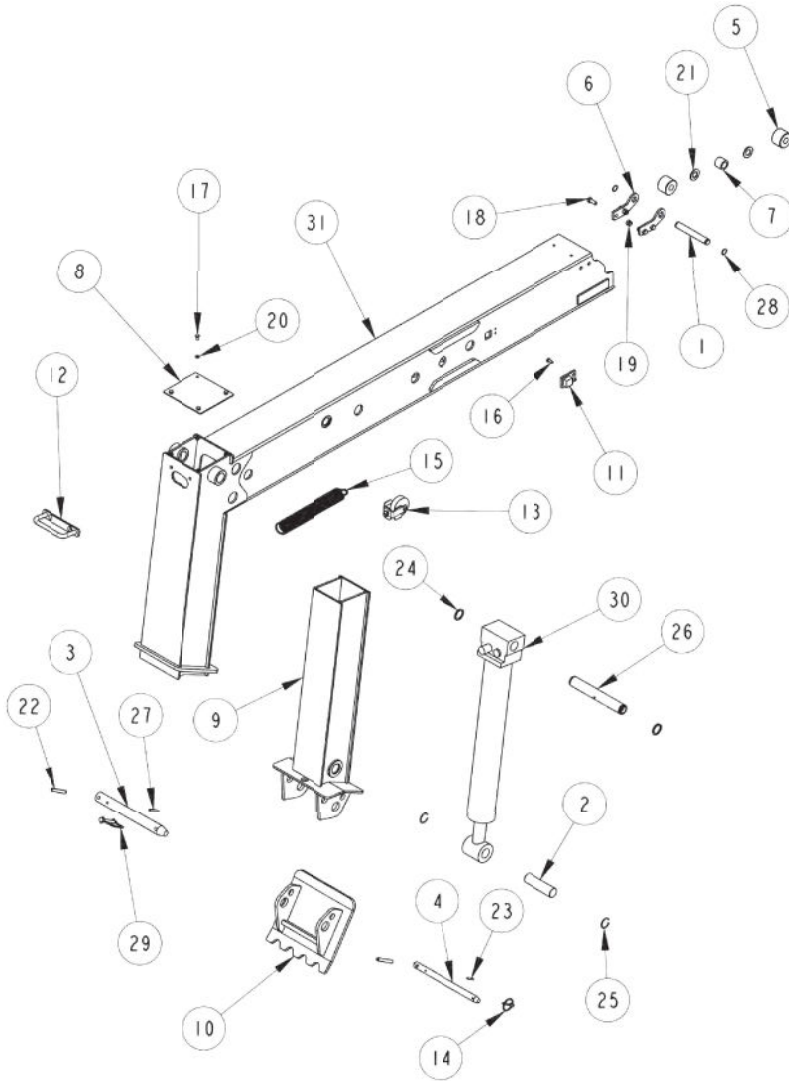
Section I - PARTS (cont'd)

CONTROL ASSEMBLY

ITEM	PART NUMBER	DESCRIPTION	QTY
1	518-0106000	CONTROL CABLE - 1/4" X 60" LG.	20
2	518-0116000	CONTROL CABLE - 1/4" X 60" LG.	12
3	3014-700003	PIN - CONTROLS	2
4	3014-700004	PIN - CONTROLS	2
5	3014-791012	CLEVIS - DUAL CTRL CABLE	8
6	3014-798701	BLOCK - RETAINING	8
7	3116-775001	LH LOWER CONTROL PANEL	1
8	3116-775002	LH UPPER CONTROL PANEL	1
9	3116-775101	RH LOWER CONTROL PANEL	1
10	3116-775102	RH UPPER CONTROL PANEL	1
11	0300341	KNOB, BLACK (BLANK)	12
12	0302205	GAUGE, FLUSH MOUNT 6000 PSI	2
13	0302726	GREASE FITTING, 1/4"-28 X 45A°	16
14	0306537	EMERGENCY SWITCH (RAMSEY)	2
15	0306540	ROTARY SELECT SWITCH OPERATOR	8
16	0307166	PLUG 7/8	8
17	0307604	KNOB - RED LONG	4
18	0400066	1/4-20 X 3/4 HHCS GR.5,ZP	12
19	0400070	1/4-20 X 1 HHCS GR5 ZP	16
20	0400173	SCREW, 3/8"-16 X 2" HEX HD CAP GR8	16
21	0400365	HEX NUT, 1/4"-28	32
22	0400366	1/4-20 HEX NUT ZP	16
23	0400367	1/4-20 NYLOCK HEX NUT ZP	17
24	0400393	3/8"-16 HEX JAM NUT	16
25	0400451	1/4 FLAT WASHER ZP	12
26	0400452	1/4 HELICAL LOCK WASHER ZP	12
27	0400458	1/4 STAR LOCKWASHER ZP	48
28	0400482	3/8 HELICAL LOCK WASHER ZP	16
29	0400527	CLEVIS PIN, 5/16" X 5/8" COTTERLESS	8
30	0806852	CONTROL HANDLE WLMT	16
31	0807538	REAR CONTROL BRACKET	2
32	0807539	FRONT CONTROL BRACKET	2
33	0807540	CONTROL BAR WLMT	2
34	0807541	CONTROL BAR WLMT	2
35	9024041	MCGILL SWITCH	8
36	9053524	BRONZE BUSHING (.752 X .879 X .750)	32
37	HD0900	BEARING, ROD END, 1/4-28	16

Section I - PARTS (cont'd)

MANUAL IN/OUT FRONT OUTRIGGER ASSEMBLY

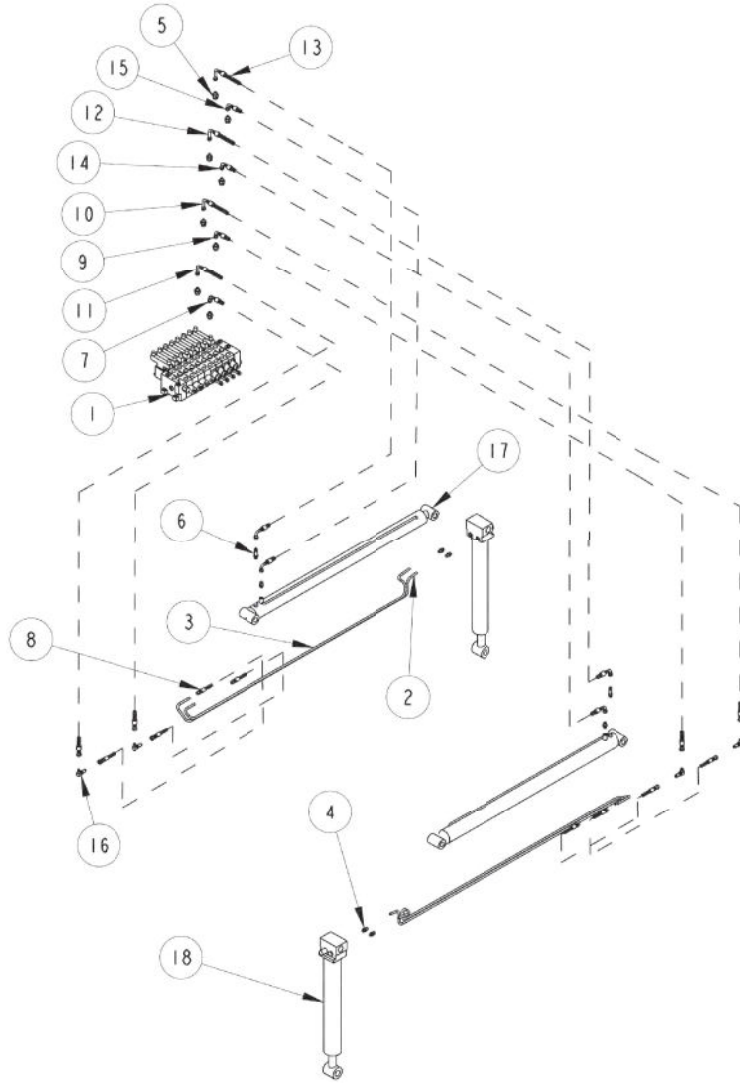


Section I - PARTS (cont'd)

MANUAL IN/OUT FRONT OUTRIGGER ASSEMBLY

ITEM	PART NUMBER	DESCRIPTION	QTY
1	3116-700004	PIN - FRONT OUTRIGGER INNER ROLLER	1
2	3116-700005	PIN - FRONT OUTRIGGER LOWER CYL.	1
3	3116-700010	PIN - PIVOT - FR. OUTRIGGER SPADE	1
4	3116-700011	PIN - RETAINING - FR. OUTRIGGER SPADE	1
5	3116-716001	ROLLER - FRONT OUTRIGGER ASSY	2
6	3116-716002	ROLLER MTG. PLATE	2
7	3116-716003	ROLLER SPACER	1
8	3116-716004	COVER PLATE - FRONT OUTRIGGER	1
9	3116-816600	FRONT VERT. OUTRIGGER - SWIVEL	1
10	3116-816700	FRONT OUTRIGGER SPADE WELD'T	1
11	3116-816800	OUTRIGGER STOP BLOCK WELD'T	1
12	3116-816900	HANDLE WELDMENT	1
13	3116-916300	HOSE TENSIONER SHEAVE ASSY	1
14	0302474	PIN, LYNCH	1
15	0303521	SPRING, HOSE TENSIONER	1
16	0400059	1/4-20 X 5/8 HHCS GR 5 ZP	2
17	0400060	1/4-20 X 1/2 LG. HHCS GR.5	4
18	0400126	3/8-16 X 1 HHCS GR.5.ZP	4
19	0400392	3/8-16 NYLOCK HEX NUT ZP	4
20	0400452	1/4 HELICAL LOCK WASHER ZP	4
21	0400510	3/4 FLAT WASHER ZP	2
22	0400568	3/8 X 3 ROLL PIN ZP	2
23	0400573	3/16 X 1-1/4 ROLL PIN ZP	1
24	9056125	SNAP RING - 1-1/4" HEAVY DUTY	2
25	9057125	SNAP RING, 1-1/4" NOM INTERNAL	2
26	810350002	PIN, UPPER TILT CYLINDER	1
27	HD0106	1/4 X 1-3/4 ROLL PIN ZP	1
28	HD0160	SNAP RING, 3/4" EXTERNAL	2
29	HD1259	SAFETY SNAP PIN	1
30	511-3000005	CYLINDER, FRONT OUTRIGGER	1
31	3116-816000	FRONT OUTRIGGER WELD'T	1

**Section I - PARTS (cont'd)**  
**MANUAL IN/OUT FRONT OUTRIGGER HYDRAULICS**



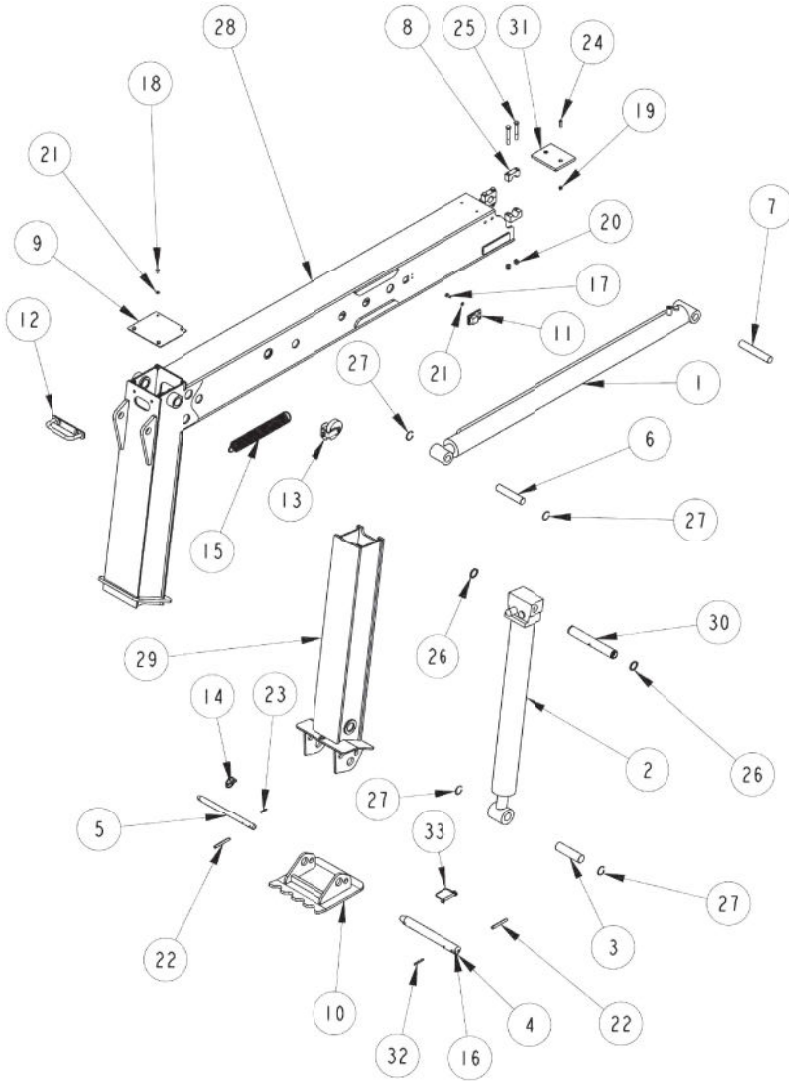
I-30

**Section I - PARTS (cont'd)**  
**MANUAL IN/OUT FRONT OUTRIGGER HYDRAULICS**

ITEM	PART NUMBER	DESCRIPTION	QTY
1	512-088301	CONTROL VALVE, P70CF-06-US15-148	1
2	516-0600002	TUBE, HYD ASSY 3/8X61 STL TUBE	2
3	516-0600003	TUBE, HYD ASSY 3/8X59. STL TUBE	2
4	0301522	CONNECTOR 6MJ-6MB	6
5	0301778	CONNECTOR 6MJX10MB	8
6	0302510	CONNECTOR, 6MJ-6MBL	2
7	0303389	HOSE ASSY - 46" LG.	1
8	0307657	HOSE ASSY - 80" LG	4
9	0307845	HOSE ASSY - 79" LG	1
10	0307846	HOSE ASSY - 84" LG	1
11	0307847	HOSE ASSY - 45" LG	1
12	0310107	HOSE ASSY - 68" LG	1
13	0310108	HOSE ASSY - 68" LG	1
14	0310109	HOSE ASSY - 68" LG	1
15	0310110	HOSE ASSY - 68" LG	1
16	FC41	ELBOW - BULKHEAD	4
17	511-2000001	CYL, FRONT OUTRIGGER EXTENSION	2
18	511-3000005	CYLINDER, FRONT OUTRIGGER	2

I-31

**Section I - PARTS (cont'd)**  
**HYDRAULIC IN/OUT FRONT OUTRIGGER ASSEMBLY**



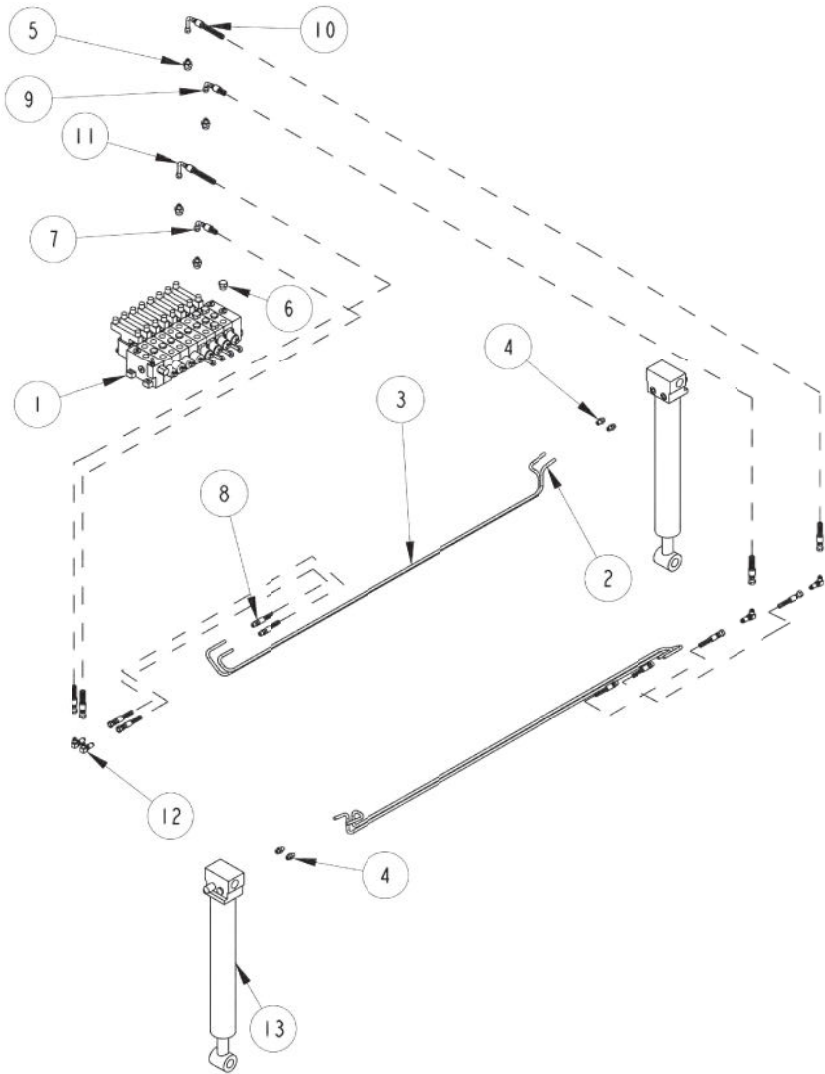
I-32

**Section I - PARTS (cont'd)**  
**HYDRAULIC IN/OUT FRONT OUTRIGGER ASSEMBLY**

ITEM	PART NUMBER	DESCRIPTION	QTY
1	511-2000001	BOOM EXTEND CYLINDER	1
2	511-3000007	CYLINDER, SPADE	1
3	3116-7000005	PIN - FRONT OUTRIGGER LOWER CYL.	1
4	3116-700010	PIN - PIVOT - FR. OUTRIGGER SPADE	1
5	3116-700011	PIN - RETAINING - FR. OUTRIGGER SPADE	1
6	3116-700016	PIN - FRONT OUTRIGGER EXTEND	1
7	3116-700017	PIN - FRONT OUTRIGGER EXTEND	1
8	3116-710033	CYLINDER MTG. BLOCK	2
9	3116-716004	COVER PLATE - FRONT OUTRIGGER	1
10	3116-816700	FRONT OUTRIGGER SPADE WELD'T	1
11	3116-816800	OUTRIGGER STOP BLOCK WELD'T	1
12	3116-816900	HANDLE WELDMENT	1
13	3116-916300	HOSE TENSIONER SHEAVE ASSY	1
14	0302474	PIN, LYNCH	1
15	0303521	SPRING, HOSE TENSIONER	1
16	0400044	DRIVE SCREW, #10-24 X 1/2" RD HD	2
17	0400059	1/4-20 X 5/8 HHCS GR 5 ZP	2
18	0400060	1/4-20 X 1/2 LG. HHCS GR.5	4
19	0400367	1/4-20 NYLOCK HEX NUT ZP	2
20	0400392	3/8-16 NYLOCK HEX NUT ZP	4
21	0400452	1/4 HELICAL LOCK WASHER ZP	6
22	0400568	3/8 X 3 ROLL PIN ZP	2
23	0400573	3/16 X 1-1/4 ROLL PIN ZP	1
24	0400612	1/4-20 X 1 FLAT HEAD SOCKET CAP SCREW	2
25	9041212	3/8-16 X 2-3/4 LG. HHCS GR.8	4
26	9056125	SNAP RING - 1-1/4" HEAVY DUTY	2
27	9057125	SNAP RING, 1-1/4" NOM INTERNAL	4
28	25088017	FRONT OUTRIGGER WELD'T	1
29	25088019	FRONT VERT. OUTRIGGER - SWIVEL	1
30	810350002	PIN, UPPER TILT CYLINDER	1
31	897040002	TOP PAD INNER BOOM	1
32	HD0106	1/4 X 1-3/4 ROLL PIN ZP	1
33	HD1259	SAFETY SNAP PIN	1

I-33

**Section I - PARTS (cont'd)**  
**HYDRAULIC IN/OUT FRONT OUTRIGGER HYDRAULICS**



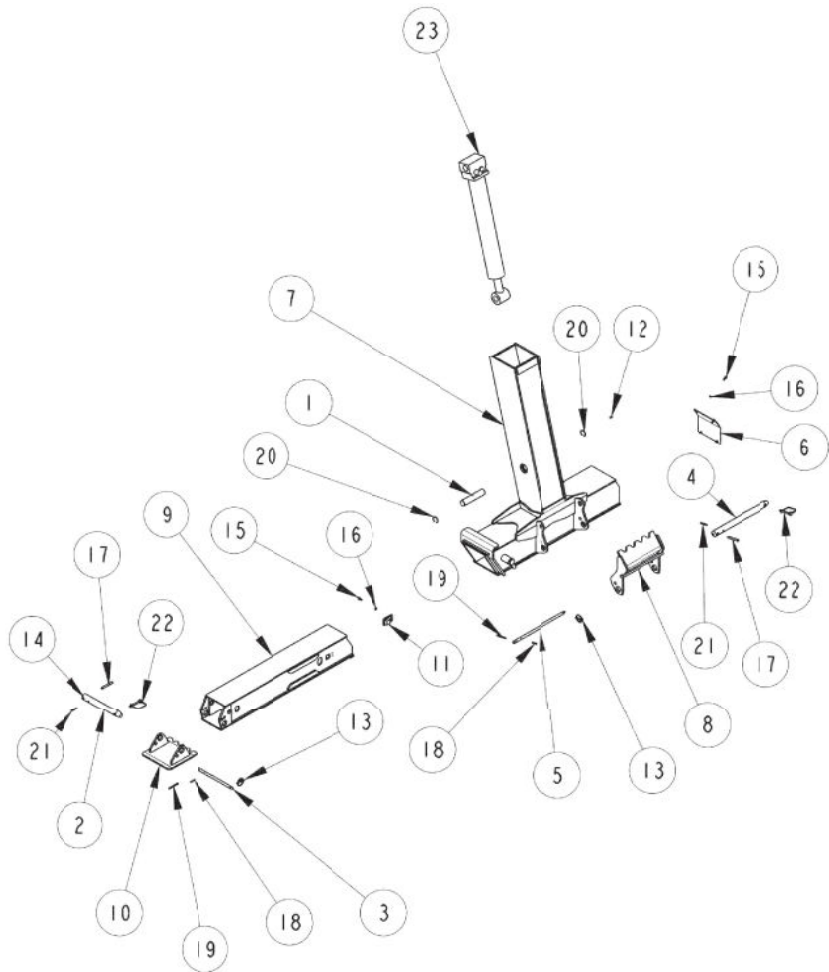
**Section I - PARTS (cont'd)**  
**HYDRAULIC IN/OUT FRONT OUTRIGGER HYDRAULICS**

ITEM	PART NUMBER	DESCRIPTION	QTY
1	512-088301	CONTROL VALVE, P70CF-06-US15-148	1
2	516-0600002	TUBE, HYD ASSY 3/8X61 STL TUBE	2
3	516-0600003	TUBE, HYD ASSY 3/8X59. STL TUBE	2
4	0301522	CONNECTOR 6MJX6MB	4
5	0301778	CONNECTOR 6MJX10MB	4
6	0301783	CONNECTOR 8MJX10MB	4
7	0303389	HOSE ASSY - 46" LG.	1
8	0307657	HOSE ASSY - 80" LG	4
9	0307845	HOSE ASSY - 79" LG	1
10	0307846	HOSE ASSY - 84" LG	1
11	0307847	HOSE ASSY - 45" LG	1
12	FC41	ELBOW - BULKHEAD	4
13	511-3000005	CYLINDER, FRONT OUTRIGGER	2



Section I - PARTS (cont'd)

REAR OUTRIGGER ASSEMBLY

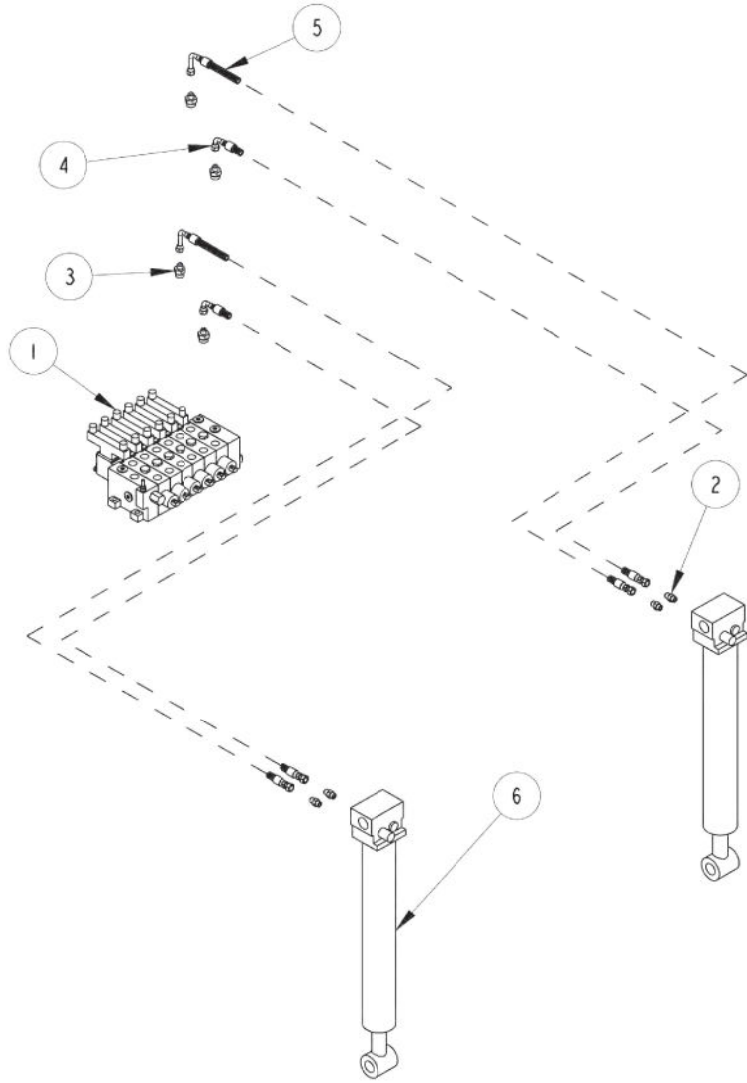


Section I - PARTS (cont'd)

REAR OUTRIGGER ASSEMBLY

ITEM	PART NUMBER	DESCRIPTION	QTY
1	3116-700006	PIN - LOWER JACK LEG CYL.	2
2	3116-700012	PIN - PIVOT - REAR OR SPADE	2
3	3116-700013	PIN - RETAINING - REAR OR SPADE	2
4	3116-700014	PIN - PIVOT - JACKLEG SPADE	2
5	3116-700015	PIN - RETAINING - JACKLEG SPADE	2
6	3116-712020	COVER PANEL - REAR OUTRIGGER	2
7	3116-812000	LH REAR JACK LEG / OUTRIGGER WELD'T	1
8	3116-812500	SPADE WELDMENT - REAR OUTRIGGER	2
9	3116-814000	REAR INNER OUTRIGGER WELD'T	2
10	3116-814500	REAR OUTRIGGER PAD WELD'T	2
11	3116-816800	OUTRIGGER STOP BLOCK WELD'T	2
12	0300113	GREASE FITTING, 1/4-28 STRAIGHT	2
13	0302474	PIN, LYNCH	4
14	0400044	DRIVE SCREW, #10-24 X 1/2" RD HD	8
15	0400059	1/4-20 X 5/8 HHCS GR 5 ZP	12
16	0400452	1/4 HELICAL LOCK WASHER ZP	12
17	0400568	3/8 X 3 ROLL PIN ZP	4
18	0400573	3/16 X 1-1/4 ROLL PIN ZP	4
19	9046354	1/4 X 2-1/2 ROLL PIN ZP	4
20	9057125	SNAP RING, 1-1/4" NOM INTERNAL	4
21	HD0106	1/4 X 1-3/4 ROLL PIN ZP	4
22	HD1259	SAFETY SNAP PIN	4
23	511-3000005	CYLINDER, FRONT OUTRIGGER	2

**Section I - PARTS (cont'd)**  
**REAR OUTRIGGER HYDRAULICS**



I-38

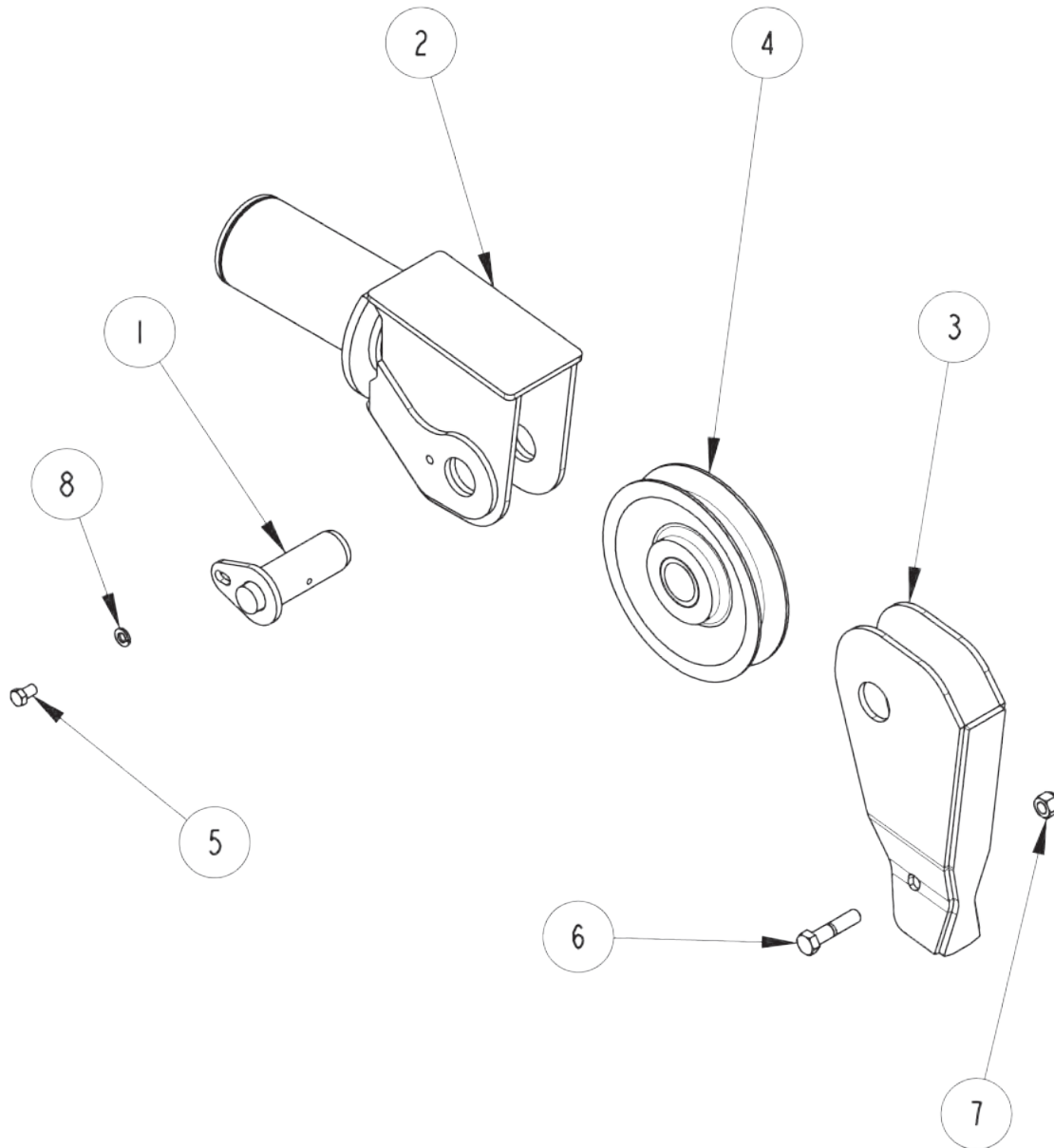
**Section I - PARTS (cont'd)**  
**REAR OUTRIGGER HYDRAULICS**

ITEM	PART NUMBER	DESCRIPTION	QTY
1	512-086601	CONTROL VALVE, P70CF-06-US15-149	1
2	0301522	CONNECTOR 6MJ-6MB	4
3	0301778	CONNECTOR 6MJX10MB	4
4	880010013	HOSE ASSY -	2
5	880010014	HOSE ASSY -	2
6	511-3000005	CYLINDER, FRONT OUTRIGGER	2

I-39

Section I - PARTS (cont'd)

**BOOM SWIVEL ASSEMBLY**



ITEM	PART NUMBER	DESCRIPTION	QTY
1	3014-802000	PIN WELD'T	1
2	3014-831000	SHEAVE WELDMENT - 3014	1
3	3014-831100	GUIDE - SWIVEL	1
4	0300626	SHEAVE - 8"	1
5	0400147	3/8-24 X 5/8 HHCS GR5 ZP	1
6	0400184	1/2-13 X 2-1/4 HHCS GR 8 ZP	1
7	0400408	1/2-13 NYLOCK HEX NUT ZP	1
8	0400482	3/8 HELICAL LOCK WASHER ZP	1

**Section I - PARTS (cont'd)**

**HYDRAULIC CYLINDERS**

ITEM	PART NUMBER	DESCRIPTION	QTY
1	511-2000001	CYLINDER, FRONT OUTRIGGER EXTEND	2
--	--	SEAL KIT, FRONT O/R EXTEND CYLINDER	--
2	511-3000001	CYLINDER, BOOM EXTEND	1
--	--	SEAL KIT, BOOM EXTEND CYLINDER	--
3	511-3000002	CYLINDER, UNDERLIFT EXTEND	1
--	--	SEAL KIT, UNDERLIFT EXTEND CYLINDER	--
4	511-3000004	CYLINDER, UNDERLIFT LIFT	2
--	--	SEAL KIT, UNDERLIFT LIFT CYLINDER	--
5	511-3000005	CYLINDER, OUTRIGGER LIFT	4
--	--	SEAL KIT, OUTRIGGER LIFT CYLINDER	--
6	511-5000001	CYLINDER, UNDERLIFT TILT	1
--	--	SEAL KIT, UNDERLIFT TILT CYLINDER	--
7	511-5000002	CYLINDER, BOOM LIFT	2
--	--	SEAL KIT, BOOM LIFT CYLINDER	--



Miller Industries Towing Equipment Inc.  
8503 Hilltop Drive • Ooltewah, Tennessee 37363 • (423) 238-4171  
[www.millerind.com](http://www.millerind.com)