



OWNER'S MANUAL 440SL

PARTS

NOTE: MANUAL including SPECIFICATIONS, subject to change without notice
All ratings specified are based on structural factors only,
not vehicle capacities or capabilities.



Miller Industries Towing Equipment Inc.
8503 Hilltop Drive
Ooltewah, Tennessee 37363

Phone (423) 238-4171 • FAX (423) 238-5371

FORM NO. 0501702
05 / 2009
PRICE \$25.00

LIMITED WARRANTY

MILLER INDUSTRIES TOWING EQUIPMENT INC., hereinafter referred to as MILLER, warrants to the original purchaser that each new MILLER wrecker or other MILLER products will be free from defects in material and workmanship for a period of twelve (12) months from date placed in service, but in no event shall such warranty period exceed twenty-four (24) months from date of manufacture by MILLER. The purchaser must promptly notify MILLER in writing of any failure in material or workmanship. In no event shall MILLER accept such notification later than twenty-four (24) months from date of delivery or twelve (12) months from date placed in service, whichever is earlier.

MILLER's obligation under this warranty, statutory or otherwise, is limited to the repair or replacement at the MILLER factory, or at a point designated by MILLER, of such part or parts as shall appear upon inspection by MILLER to be defective in material or workmanship. New or remanufactured parts will be used for any replacement at MILLER's option. This warranty is not transferable. This warranty does not obligate MILLER to bear the cost of labor or transportation charges in connection with the repair or replacement of any parts found to be defective, nor shall it apply to a product upon which repairs or alterations have been made unless authorized by MILLER.

EXCEPT AS EXPRESSLY SET FORTH IN THIS WARRANTY, MILLER MAKES NO OTHER WARRANTY, EXPRESS OR IMPLIED, AND HEREBY DISCLAIMS ALL OTHER WARRANTIES INCLUDING, BUT NOT LIMITED TO, THE IMPLIED WARRANTIES OF MERCHANTABILITY AND FITNESS FOR A PARTICULAR PURPOSE. MILLER shall in no event be liable for claimed downtime, claimed loss of profits or goodwill, or any other special, incidental, indirect, or consequential damages concerning or relating to any product or parts, whether based on negligence, strict liability, breach of contract, breach of warranty, misrepresentation or any other legal theory, regardless of whether the loss resulted from any general or particular requirement which MILLER knew or had reason to know about at the time of sale.

MILLER MAKES NO WARRANTY, EXPRESS OR IMPLIED, AS TO THE FINISHED PRODUCTS MANUFACTURED OR SUPPLIED BY ANOTHER MANUFACTURER AND SUPPLIED BY MILLER TO PURCHASER, including, but not limited to, any vehicle to which a MILLER product may be affixed or any accessories or wire rope, and MILLER EXPRESSLY DISCLAIMS ANY IMPLIED WARRANTIES OF MERCHANTABILITY OR FITNESS FOR A PARTICULAR PURPOSE AS TO SUCH EQUIPMENT OR PRODUCTS. This language shall in no way affect or diminish the rights of the purchaser to rely on such warranties as are extended by such manufacturers or suppliers. MILLER shall, to the extent permitted under applicable law, pass on to the purchaser such manufacturer's or seller's warranty.

MILLER, whose policy is one of continuous improvement, reserves the right to improve its products through changes in design or materials as it may deem desirable without being obligated to incorporate such changes in products previously sold. This warranty is not intended to cover or include the following items, which are set forth by way of example and not limitation:

- A. Normal deterioration of trim, paint, lettering, and appearance items due to wear or exposure to weather, road conditions, road treatments, etc.
- B. Any damage or defect due to accident, misuse, abuse, improper or unauthorized repairs, failure to provide reasonable and necessary maintenance, or uses for which the equipment was not designed or intended.
- C. Alterations or modifications that affect performance, operation or reliability.
- D. Normal maintenance parts including, but not limited to, wear pads, bushings, wire rope, mud flaps, fenderettes, light bulbs, hydraulic oil, filters, and tow sling belts.

IT IS EXPRESSLY UNDERSTOOD THAT MILLER MAKES NO IMPLIED WARRANTY THAT MILLER PRODUCTS SHALL BE FIT FOR THE PURPOSE OF LIFTING OR MOVING PEOPLE OR FOR ANY OTHER IMPROPER USE.



Miller Industries Towing Equipment Inc.
8503 Hilltop Drive
Ooltewah, Tennessee 37363

SERIAL NUMBER

Telephone (423) 238-4171

OWNER, USER AND OPERATOR:

We appreciate your choice of our wrecker for your application. Our number one priority is user safety which is best achieved by our joint efforts. We feel that you can make a major contribution to safety if you, as the equipment owner and operator:

- 1. Comply with Federal, State, and Local Regulations.**
- 2. Read, Understand, and Follow the Instructions in this Manual.**
- 3. Use Good, Safe Work Practices in a Common Sense Way.**
- 4. Only have Authorized and Trained Operators running the Wrecker.**

TABLE OF CONTENTS

Section I - PARTS

| | |
|---|----------------|
| SUBFRAME ASSEMBLY | I-2 thru I-5 |
| BODY ASSEMBLY | I-6 thru I-9 |
| BOOM ASSEMBLY | I-10 thru I-13 |
| WHEEL LIFT ASSEMBLY | I-14 thru I-17 |
| CROSSBAR ASSEMBLY | I-18 & I-19 |
| BOOM HYDRAULICS | I-20 & I-21 |
| WHEEL LIFT HYDRAULICS | I-22 & I-23 |
| PUMP, VALVE & FILTER HYDRAULICS | I-24 & I-25 |
| BOOM END SWIVEL ASSEMBLY | I-26 |
| MISCELLANEOUS KITS & PARTS | I-26 |

Section I - PARTS

This Section is provided by the manufacturer for the purpose of ordering any component part of the **Holmes 440 SL** that may be required when part replacement is necessary. Be certain to use only original equipment replacement parts for warranty purposes as well as for keeping your **Holmes 440 SL** in its original state and optimum operating capacities.

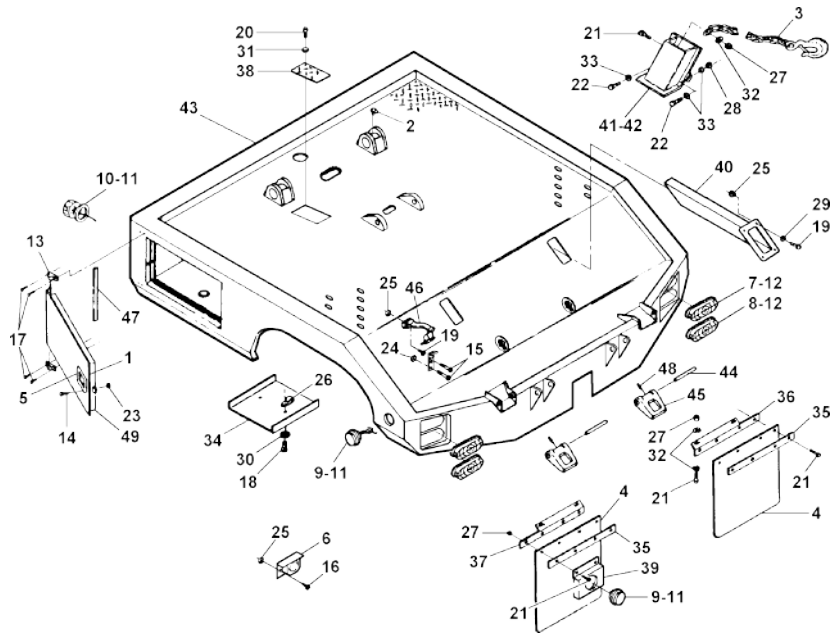
When ordering replacement or spare parts be sure to provide the following information to the manufacturer's **Parts Department**.

1. **Manual Number & Date of Publication**
2. **Manual Page Number**
3. **Page Title**
4. **Reference Number of Part Desired**
5. **Part Number**
6. **Part Description**
7. **Quantity of Part Desired**

Providing this information will help ensure that the correct parts will be delivered to you in an expedient manner without delay. Should additional information be required for repair or replacement of certain components, contact your Wrecker Manufacturer Authorized Representative.

The Manufacturer reserves the right, without notice or obligation, to improve or modify their products, which may change the specifications, models and feature availability.

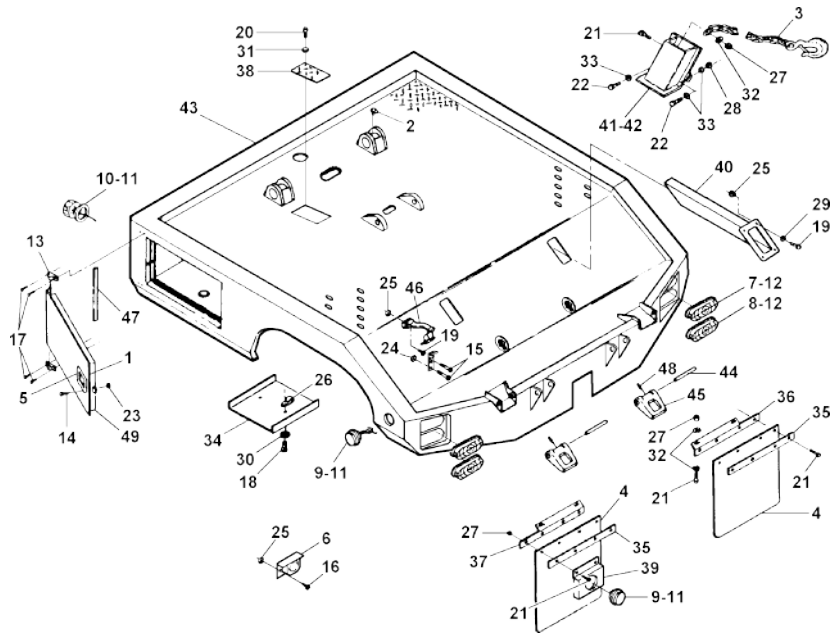
Section VI - PARTS (cont'd)
440B BODY ASSEMBLY
(Continued on Page VI-4)



Section VI - PARTS (cont'd)
440B BODY ASSEMBLY
(Continued on Page VI-5)

| REF. NO. | NO. REQ'D | PART NUMBER | DESCRIPTION |
|----------|-----------|-------------|--|
| 1 | 8 FT. | 0300844 | SPONGE, 3/4" X 1/8" W/ ADHBK |
| 2 | 2 | 0301397 | GREASE FITTING, ALEMITE |
| 3 | 2 | 0301932 | 5/16" X 10' CHAIN ASSEMBLY |
| 4 | 2 | 0302173 | MUDFLAP, BLACK W/ RWL (GO138B) |
| 5 | 1 | 0302855 | LATCH, TOOL COMPARTMENT DOOR |
| 6 | 1 | 0303061 | BACK UP ALARM |
| 7 | 2 | 0303123 | LIGHT, SEALED RED, STOP & TURN |
| 8 | 2 | 0303124 | LIGHT, SEALED WHITE, BACKUP |
| 9 | 4 | 0303125 | LIGHT, SEALED MARKER, RED |
| 10 | 2 | 0303126 | LIGHT, SEALED MARKER, AMBER |
| 11 | 6 | 0303127 | GROMMET, MARKER LIGHT |
| 12 | 4 | 0303128 | GROMMET, TAILLIGHT |
| 13 | 2 | 0304264 | HINGE, DOOR |
| 14 | 4 | 0400021 | SCREW, #8-32 X 1/2" RD HD PHILLIPS |
| 15 | 4 | 0400036 | SCREW, #10-32 X 1" RD HD MCH |
| 16 | 2 | 0400057 | SCREW, 1/4-20 X 1-1/4" HEX HD CAP |
| 17 | 4 | 0400062 | SCREW, 1/4"-20 X 3/4" TYPE "F" THD CUT |
| 18 | 4 | 0400066 | SCREW, 1/4-20 X 3/4" HEX HD CAP |
| 19 | 10 | 0400070 | SCREW, 1/4-20 X 1" HEX HD CAP |
| 20 | 4 | 0400109 | SCREW, 5/16"-18 X 1" HEX HD CAP |
| 21 | 14 | 0400122 | SCREW, 3/8"-16 X 1-1/4" HEX HD CAP |
| 22 | 4 | 0400181 | SCREW, 1/2"-13 X 1-1/5" HEX HD CAP |
| 23 | 4 | 0400351 | NUT & STAR WASHER, #8-32 HEX |
| 24 | 4 | 0400357 | NUT, #10-32 NYLOK HEX |
| 25 | 12 | 0400367 | NUT, 1/4"-20 NYLOK HEX |

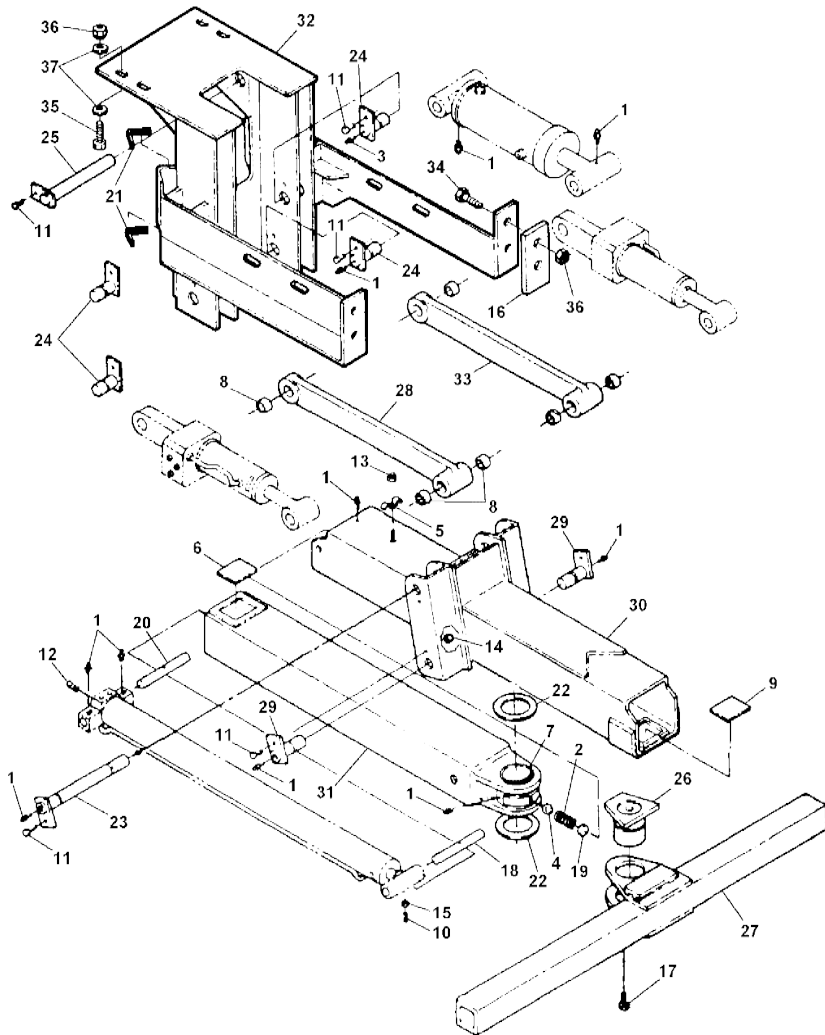
Section VI - PARTS (cont'd)
440B BODY ASSEMBLY
(Continued from Page VI-2)



Section VI - PARTS (cont'd)
440B BODY ASSEMBLY
(Continued from Page VI-3)

| REF. NO. | NO. REQ'D | PART NUMBER | DESCRIPTION |
|----------|-----------|-------------|-------------------------------|
| 26 | 4 | 0400370 | CLIP, 1/4" "U" TYPE TINNEMAN |
| 27 | 14 | 0400392 | NUT, 3/8"-16 NYLOK HEX |
| 28 | 4 | 0400408 | NUT, 1/2"-13 NYLOK HEX |
| 29 | 16 | 0400451 | WASHER, 1/4" FLAT |
| 30 | 4 | 0400452 | LOCKWASHER, 1/4" HELICAL |
| 31 | 4 | 0400464 | LOCKWASHER, 5/16" HELICAL |
| 32 | 10 | 0400480 | WASHER, 3/8" FLAT |
| 33 | 8 | 0400492 | WASHER, 1/2" FLAT |
| 34 | 2 | 0704516 | GUARD, CONTROL STATION |
| 35 | 2 | 0705092 | BAR, MUDFLAP |
| 36 | 1 | 0708809 | MUDFLAP MOUNTING ANGLE, RIGHT |
| 37 | 1 | 0708810 | MUDFLAP MOUNTING ANGLE, LEFT |
| 38 | 1 | 0708931 | ACCESS COVER, FILTER |
| 39 | 2 | 0710198 | BRACKET, MARKER LIGHT |
| 40 | 2 | 0802388 | STORAGE TUBE WELDMENT |
| 41 | 1 | 0802594 | LT CHAIN BOX WELDMENT |
| 42 | 1 | 0802595 | RT CHAIN BOX WELDMENT |
| 43 | 1 | 0802705 | BODY WELDMENT - 4400B 60 C.A. |
| 44 | 2 | BA0259 | PIN, "D" RING |
| 45 | 2 | BA0283 | "D" RING |
| 46 | 2 | GR400 | RUBBER CATCH, HOOD, HD 8" |
| 47 | 1 | HB73 | ANGLE, DOOR SPLASH GUARD |
| 48 | 2 | HD0106 | SPRING PIN, 1/4" X 1-3/4" |
| 49 | 1 | HF56 | SMALL DOOR WELDMENT |

Section VI - PARTS (cont'd)
DFT 400 WHEEL LIFT ASSEMBLY



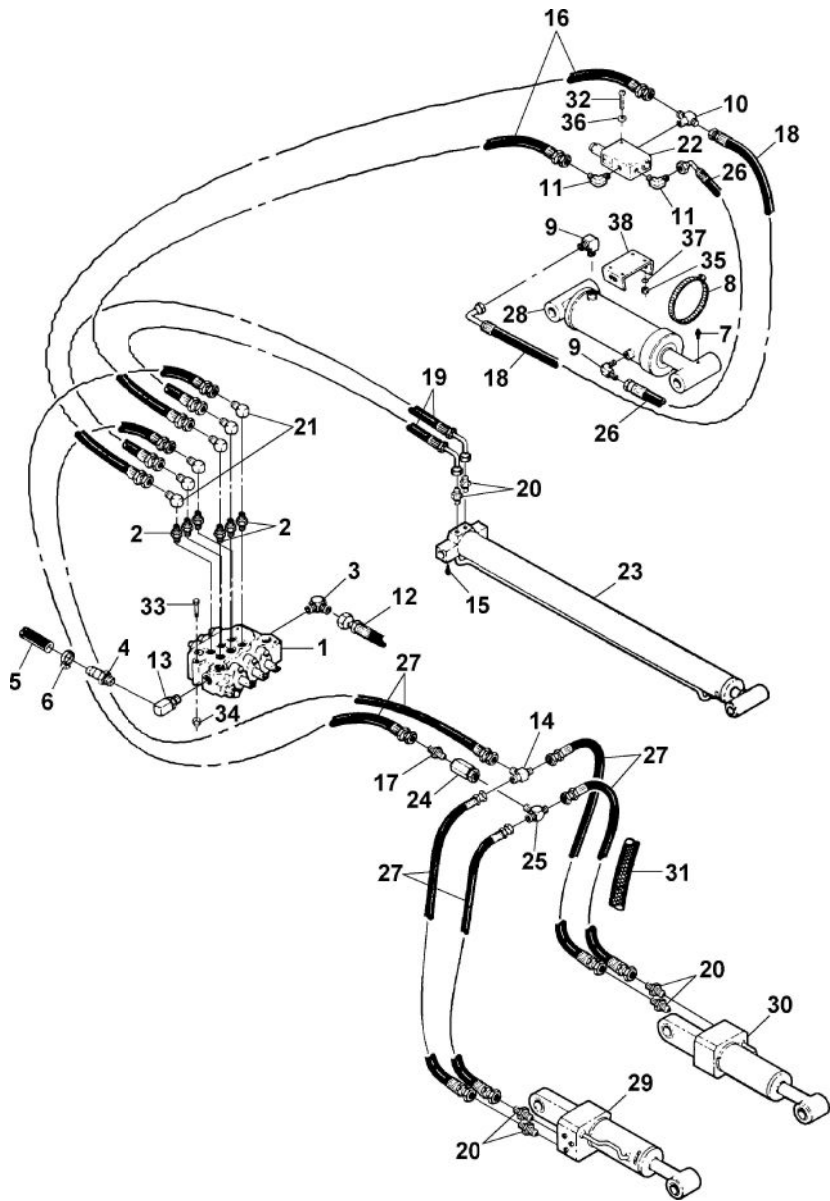
VI-6

Section VI - PARTS (cont'd)
DFT 400 WHEEL LIFT ASSEMBLY

| REF. NO. | NO. REQ'D | PART NUMBER | DESCRIPTION |
|----------|-----------|-------------|---|
| 1 | 13 | 0300113 | GREASE FITTING, ALEMITE |
| 2 | 1 | 0301197 | SPRING, DETENT |
| 3 | 2 | 0301397 | GREASE FITTING, ALEMITE |
| 4 | 1 | 0301398 | BALL, DETENT |
| 5 | 2 | 0301601 | CLAMP |
| 6 | 1 | 0301850 | SLIDE PAD, NYLATRON |
| 7 | 1 | 0301914 | BUSHING |
| 8 | 6 | 0303016 | BUSHING |
| 9 | 1 | 0303018 | SLIDE PAD, NYLATRON |
| 10 | 1 | 0400139 | SCREW, 3/8"-16 X 1-1/2" HEX SKT SET |
| 11 | 8 | 0400141 | SCREW, 3/8"-16 X 7/8" HEX HD CAP |
| 12 | 1 | 0400353 | SETSCREW, 3/8"-16 X 1/2" ALLEN HD |
| 13 | 1 | 0400366 | NUT, 1/4"-20 HEX |
| 14 | 8 | 0400392 | NUT, 3/8"-16 NYLOK HEX |
| 15 | 1 | 0400398 | NUT, 3/8"-16 HEX JAM |
| 16 | * | 0701941 | WHEEL LIFT MOUNTING SPACER |
| 17 | 2 | 0701956 | SCREW, 1/2"-13 X 1" HEX HD CAP |
| 18 | 1 | 0702131 | SHAFT, CYLINDER |
| 19 | 1 | 0702546 | SPACER |
| 20 | 1 | 0703345 | SHAFT, EXTEND CYLINDER |
| 21 | 4 | 0703422 | HOSE GUARD |
| 22 | 2 | 0703640 | THRUST WASHER |
| 23 | 1 | 0801009 | UPPER SHAFT WELDMENT, BOOM |
| 24 | 4 | 0801011 | SHAFT WELDMENT, ARM |
| 25 | 1 | 0801012 | SHAFT, LIFT CYLINDER |
| 26 | 1 | 0801073 | PIN, CROSSTUBE PIVOT |
| 27 | 1 | 0801074 | CROSSTUBE, INNER WELDMENT |
| 28 | 2 | 0801157 | UPPER ARM WELDMENT |
| 29 | 2 | 0801448 | LOWER SHAFT WELDMENT, BOOM |
| 30 | 1 | 0801687 | OUTER BOOM WELDMENT |
| 31 | 1 | 0802480 | INNER BOOM WELDMENT |
| 32 | 1 | 0802610 | FRAME WELDMENT |
| 33 | 2 | 0900883 | UPPER ARM ASSY - INCLUDES ITEMS 8 & 28 |
| -- | -- | 0902835 | WHEEL LIFT MOUNTING HARDWARE |
| 34 | 4 | 0400260 | SCREW, 5/8"-11 X 2" HEX HD CAP |
| 35 | 4 | 0400264 | SCREW, 5/8"-11 X 2-1/4" HEX HD CAP |
| 36 | 8 | 0400421 | NUT, 5/8"-11 NYLOK HEX |
| 37 | 8 | 0400506 | WASHER, 5/8" FLAT |

VI-7

Section VI - PARTS (cont'd)
DFT 400 WHEEL LIFT HYDRAULICS



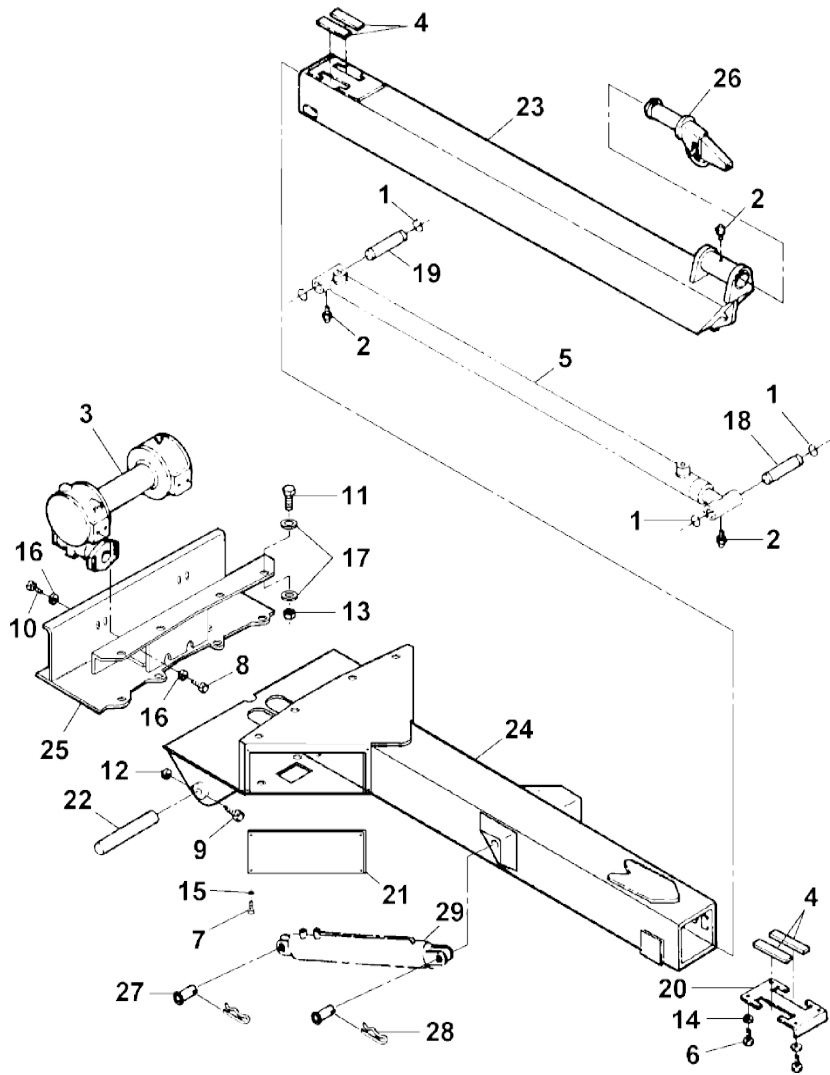
VI-8

Section VI - PARTS (cont'd)
DFT 400 WHEEL LIFT HYDRAULICS

| REF. NO. | NO. REQ'D | PART NUMBER | DESCRIPTION |
|----------|-----------|-------------|-----------------------------------|
| 1 | 1 | 0300010 | 3-SPOOL VALVE |
| 2 | 6 | 0300044 | CONNECTOR, 6MJ-8MB |
| 3 | 4 | 0300052 | ELBOW, 8MJ-10MB90 |
| 4 | 4 | 0300055 | HOSE BARB, 12C4-12MP |
| 5 | 4 FT. | 0301674 | HOSE, 3/4" RETURN |
| 6 | 1 | 0300071 | CLAMP, HOSE 1" |
| 7 | 2 | 0300113 | GREASE FITTING, ALEMITE |
| 8 | 1 | 0300133 | CLAMP, HOLDING VALVE |
| 9 | 2 | 0300142 | ELBOW, 6MJ-4MP90 |
| 10 | 1 | 0300206 | BRANCHTEE, 6MJ-6MJ-4MP |
| 11 | 2 | 0300209 | ELBOW, 6MJ-6MP90 |
| 12 | 1 | 0300660 | HOSE ASSEMBLY, 120" |
| 13 | 1 | 0301375 | ELBOW, 12MB-12FP90 |
| 14 | 1 | 0301377 | TEE, 6MJ-6MJ-6MJ |
| 15 | 2 | 0301397 | GREASE FITTING, ALEMITE 90° |
| 16 | 2 | 0301402 | HOSE, LIFT CYLINDER, 45" |
| 17 | 1 | 0301425 | CONNECTOR, 6MJ-6MP |
| 18 | 1 | 0301473 | HOSE ASSEMBLY, 18" |
| 19 | 2 | 0301485 | HOSE ASSEMBLY, 81" |
| 20 | 6 | 0301522 | CONNECTOR, 6MJ-6MB |
| 21 | 6 | 0301696 | ELBOW, 6MJ-6FJX90 |
| 22 | 1 | 0301731 | HOLDING VALVE, 4000 PSI |
| 23 | 1 | 0301825 | CYLINDER, EXTEND |
| 24 | 1 | 0301854 | VALVE, RESTRICTOR |
| 25 | 1 | 0301855 | TEE, 6MJ-6MJ-6MP |
| 26 | 1 | 0301900 | HOSE ASSEMBLY, 18" |
| 27 | 6 | 0301902 | HOSE ASSEMBLY, 35" |
| 28 | 1 | 0302341 | CYLINDER, LIFT |
| 29 | 1 | 0302904 | CYLINDER, TILT, L.H. |
| 30 | 1 | 0302905 | CYLINDER, TILT, R.H. |
| 31 | 20 FT. | 0303193 | SKUFF JACKET |
| 32 | 2 | 0400069 | SCREW, 1/4"-20 X 2" RD HD SLOTTED |
| 33 | 2 | 0400140 | SCREW, 3/8"-16 X 4" HEX HD CAP |
| 34 | 2 | 0400362 | NUT, 3/8"-16 NYLOK HEX |
| 35 | 2 | 0400366 | NUT, 1/4"-20 HEX |
| 36 | 2 | 0400451 | WASHER, 1/4" FLAT |
| 37 | 2 | 0400452 | LOCKWASHER, 1/4" HELICAL |
| 38 | 1 | 0703001 | BRACKET, CHECK VALVE MOUNTING |

VI-9

Section VI - PARTS (cont'd)
WRECKER ASSEMBLY - 4401B



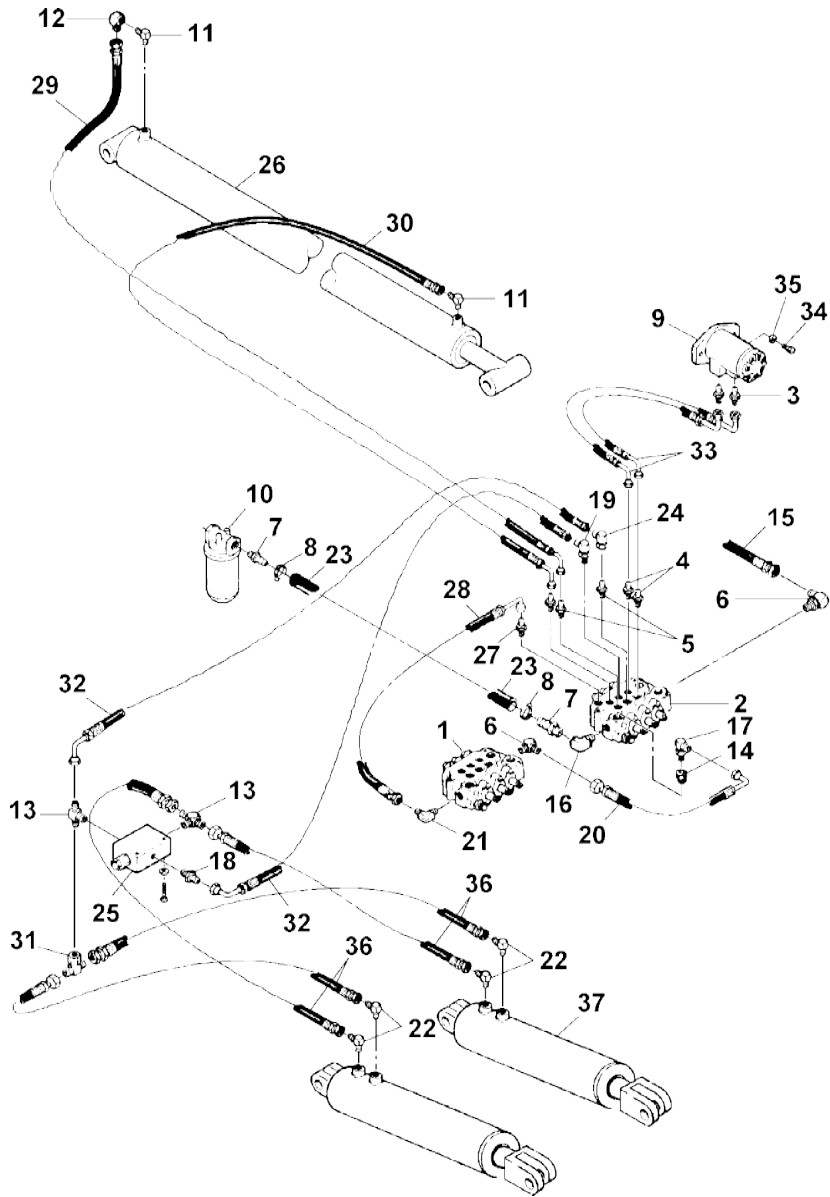
VI-10

Section VI - PARTS (cont'd)
WRECKER ASSEMBLY - 4401B

| REF. NO. | NO. REQ'D | PART NUMBER | DESCRIPTION |
|----------|-----------|-------------|------------------------------------|
| 1 | 4 | 0300110 | SNAP RING, 1" |
| 2 | 5 | 0300113 | GREASE FITTING, ALEMITE |
| 3 | 1 | 0300251 | WINCH, HLC-246, LEFT REAR |
| 4 | 4 | 0300679 | BEARING PAD, NYLATRON |
| 5 | 1 | 0301755 | CYLINDER, BOOM EXTENSION |
| 6 | 4 | 0400060 | SCREW, 1/4"-20 X 1/2" HEX HD CAP |
| 7 | 8 | 0400109 | SCREW, 5/16"-18 X 1" HEX HD CAP |
| 8 | 6 | 0400122 | SCREW, 3/8"-16 X 1-1/4" HEX HD CAP |
| 9 | 2 | 0400130 | SCREW, 3/8"-16 X 3-1/2" HEX HD CAP |
| 10 | 2 | 0400141 | SCREW, 3/8"-16 X 7/8" HEX HD CAP |
| 11 | 12 | 0400253 | SCREW, 5/8"-11 X 1-3/4" HEX HD CAP |
| 12 | 2 | 0400392 | NUT, 3/8"-16 NYLOK HEX |
| 13 | 12 | 0400421 | NUT, 5/8"-11 NYLOK HEX |
| 14 | 4 | 0400452 | LOCKWASHER, 1/4" HELICAL |
| 15 | 8 | 0400464 | LOCKWASHER, 5/16" HELICAL |
| 16 | 8 | 0400482 | LOCKWASHER, 3/8" HELICAL |
| 17 | 24 | 0400506 | WASHER, 5/8" FLAT |
| 18 | 1 | 0703082 | PIN, EXTEND CYLINDER PIVOT |
| 19 | 1 | 0703137 | SHAFT, EXTEND CYLINDER, OUTER BOOM |
| 20 | 1 | 0703965 | PAD RETAINER, BOLT-ON |
| 21 | 2 | 0709002 | COVER, BOOM |
| 22 | 2 | 0709021 | PIN, BOOM PIVOT |
| 23 | 1 | 0800941 | INNER BOOM, SINGLE |
| 24 | 1 | 0802702 | OUTER BOOM WELDMENT - 4400B |
| 25 | 1 | 0802704 | WINCH BUCKET - 4401B |
| 26 | 1 | 0900007 | BOOM END SWIVEL ASSEMBLY |
| 27 | 4 | BK518 | PIN, BOOM CYLINDER |
| 28 | 4 | BK519 | HAIR PIN, BOOM CYLINDER PIN |
| 29 | 2 | IT27B | CYLINDER, BOOM ELEVATION |

VI-11

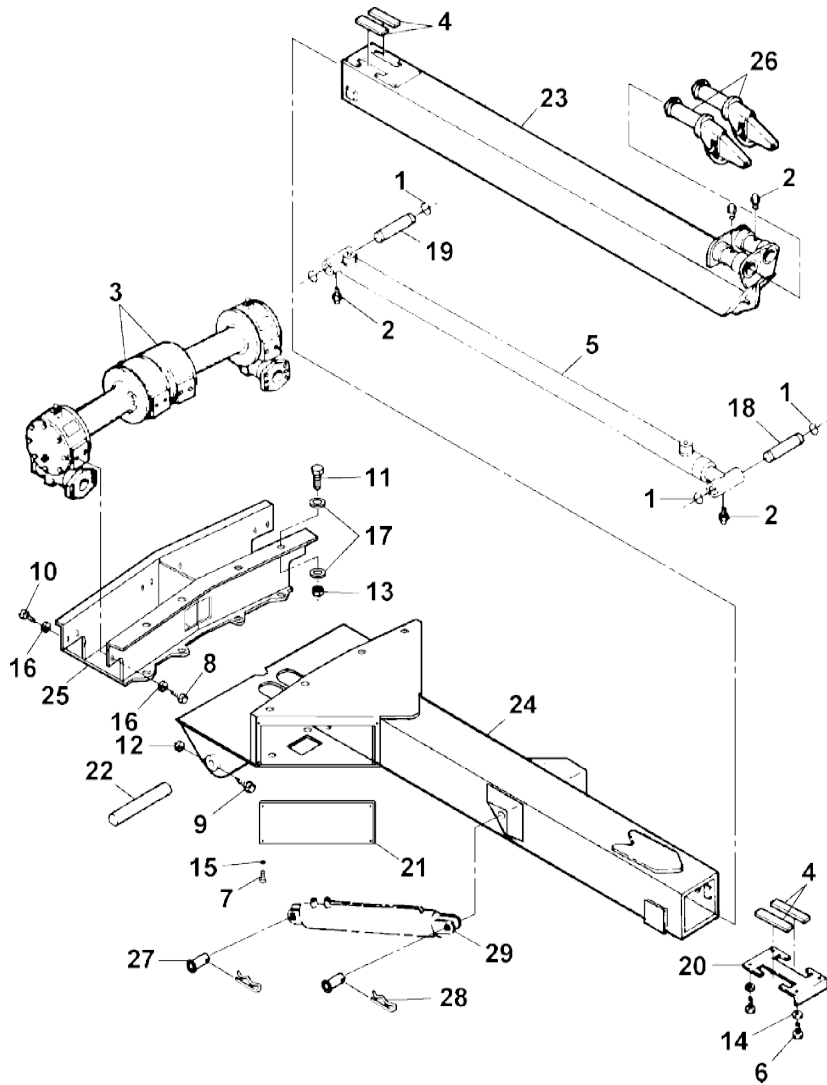
Section VI - PARTS (cont'd)
WRECKER HYDRAULICS - 4401B



Section VI - PARTS (cont'd)
WRECKER HYDRAULICS - 4401B

| REF. NO. | NO. REQ'D | PART NUMBER | DESCRIPTION |
|----------|-----------|-------------|------------------------------------|
| 1 | REF. | 0300010 | VALVE, 3-SPOOL, CONTROL |
| 2 | 1 | 0300010 | VALVE, 3-SPOOL, CONTROL |
| 3 | 2 | 0300040 | CONNECTOR, 8MJ-8MP |
| 4 | 2 | 0300041 | CONNECTOR, 8MJ-8MB |
| 5 | 3 | 0300044 | CONNECTOR, 6MJ-8MB |
| 6 | 2 | 0300052 | ELBOW, 8MJ-10MB90 |
| 7 | 2 | 0300055 | HOSEBARB, 12C4-12MP |
| 8 | 2 | 0300071 | CLAMP, HOSE 1" |
| 9 | 1 | 0300090 | MOTOR, CHAR-LYNN HYDRAULIC |
| 10 | 1 | 0300136 | FILTER ASSEMBLY, RETURN LINE |
| 11 | 2 | 0300142 | ELBOW, 6MJ-4MP90 |
| 12 | 1 | 0300147 | ELBOW, STREET 4MP-4FP90 |
| 13 | 2 | 0300206 | BRANCHTEE, 6MJ-6MJ-4MP |
| 14 | 1 | 0300286 | FITTING, H.P.C.O. |
| 15 | 1 | 0300660 | HOSE ASSEMBLY, 120" LONG |
| 16 | 1 | 0301375 | ELBOW, 12MB-12FP90 |
| 17 | 1 | 0301388 | ELBOW, 8MJ-8MB90 |
| 18 | 1 | 0301424 | MALE CONNECTOR, 6MJ-4MP |
| 19 | 1 | 0301470 | ELBOW, 6MJ-8MB90 |
| 20 | 1 | 0301471 | HOSE ASSEMBLY, H.P.C.O. |
| 21 | 1 | 0301547 | ELBOW, 8MJ-12MB90 |
| 22 | 1 | 0301620 | ELBOW, 6MJ-6MB90 |
| 23 | 4 FT. | 0301674 | HOSE, 3/4" RETURN |
| 24 | 1 | 0301696 | ELBOW, 6MJ-6FJX90 |
| 25 | 1 | 0301731 | HOLDING VALVE, 4000 PSI |
| 26 | REF. | 0301755 | CYLINDER, EXTEND |
| 27 | 1 | 0301780 | CONNECTOR, 8MJ-12MB |
| 28 | 1 | 0301790 | HOSE ASSEMBLY, 15" LONG |
| 29 | 1 | 0301964 | HOSE ASSEMBLY, 65" LONG |
| 30 | 1 | 0301965 | HOSE ASSEMBLY, 131" LONG |
| 31 | 1 | 0302573 | TEE, 6MJ-6MJ-6FJX |
| 32 | 2 | 0302634 | HOSE ASSEMBLY, 20" LONG |
| 33 | 2 | 0303014 | HOSE ASSEMBLY, 80" LONG |
| 34 | 2 | 0400177 | SCREW, 1/2"-13 X 1-1/4" HEX HD CAP |
| 35 | 2 | 0400491 | LOCKWASHER, 1/2" HELICAL |
| 36 | 4 | GR247 | HOSE ASSEMBLY, 30" LONG |
| 37 | REF. | IT27B | CYLINDER, BOOM ELEVATION |

Section VI - PARTS (cont'd)
WRECKER ASSEMBLY - 4402B



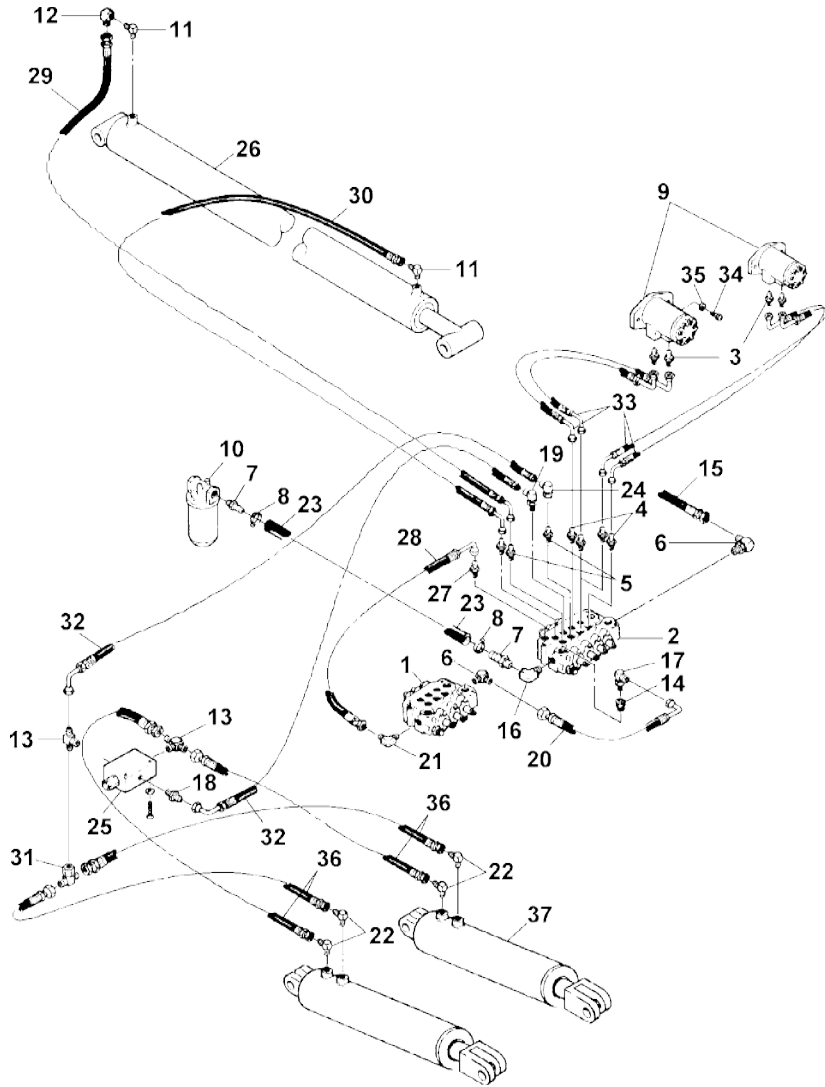
VI-14

Section VI - PARTS (cont'd)
WRECKER ASSEMBLY - 4402B

| REF. NO. | NO. REQ'D | PART NUMBER | DESCRIPTION |
|----------|-----------|-------------|------------------------------------|
| 1 | 4 | 0300110 | SNAP RING, 1" |
| 2 | 6 | 0300113 | GREASE FITTING, ALEMITE |
| 3 | 1 | 0300250 | WINCH, HLC-246, RIGHT REAR |
| | 1 | 0300251 | WINCH, HLC-246, LEFT REAR |
| 4 | 4 | 0300679 | BEARING PAD, NYLATRON |
| 5 | 1 | 0301755 | CYLINDER, BOOM EXTENSION |
| 6 | 4 | 0400060 | SCREW, 1/4"-20 X 1/2" HEX HD CAP |
| 7 | 8 | 0400109 | SCREW, 5/16"-18 X 1" HEX HD CAP |
| 8 | 12 | 0400122 | SCREW, 3/8"-16 X 1-1/4" HEX HD CAP |
| 9 | 2 | 0400130 | SCREW, 3/8"-16 X 3-1/2" HEX HD CAP |
| 10 | 4 | 0400141 | SCREW, 3/8"-16 X 7/8" HEX HD CAP |
| 11 | 12 | 0400253 | SCREW, 5/8"-11 X 1-3/4" HEX HD CAP |
| 12 | 2 | 0400392 | NUT, 3/8"-16 NYLOK HEX |
| 13 | 12 | 0400421 | NUT, 5/8"-11 NYLOK HEX |
| 14 | 4 | 0400452 | LOCKWASHER, 1/4" HELICAL |
| 15 | 8 | 0400464 | LOCKWASHER, 5/16" HELICAL |
| 16 | 16 | 0400482 | LOCKWASHER, 3/8" HELICAL |
| 17 | 24 | 0400506 | WASHER, 5/8" FLAT |
| 18 | 1 | 0703082 | PIN, EXTEND CYLINDER PIVOT |
| 19 | 1 | 0703137 | SHAFT, EXTEND CYLINDER, OUTER BOOM |
| 20 | 1 | 0703965 | PAD RETAINER, BOLT-ON |
| 21 | 2 | 0709002 | COVER, BOOM |
| 22 | 2 | 0709021 | PIN, BOOM PIVOT |
| 23 | 1 | 0800942 | INNER BOOM, DUAL |
| 24 | 1 | 0802702 | OUTER BOOM WELDMENT - 4400B |
| 25 | 1 | 0802703 | WINCH BUCKET - 4402B |
| 26 | 1 | 0900007 | BOOM END SWIVEL ASSEMBLY |
| 27 | 4 | BK518 | PIN, BOOM CYLINDER |
| 28 | 4 | BK519 | HAIR PIN, BOOM CYLINDER PIN |
| 29 | 2 | IT27B | CYLINDER, BOOM ELEVATION |

VI-15

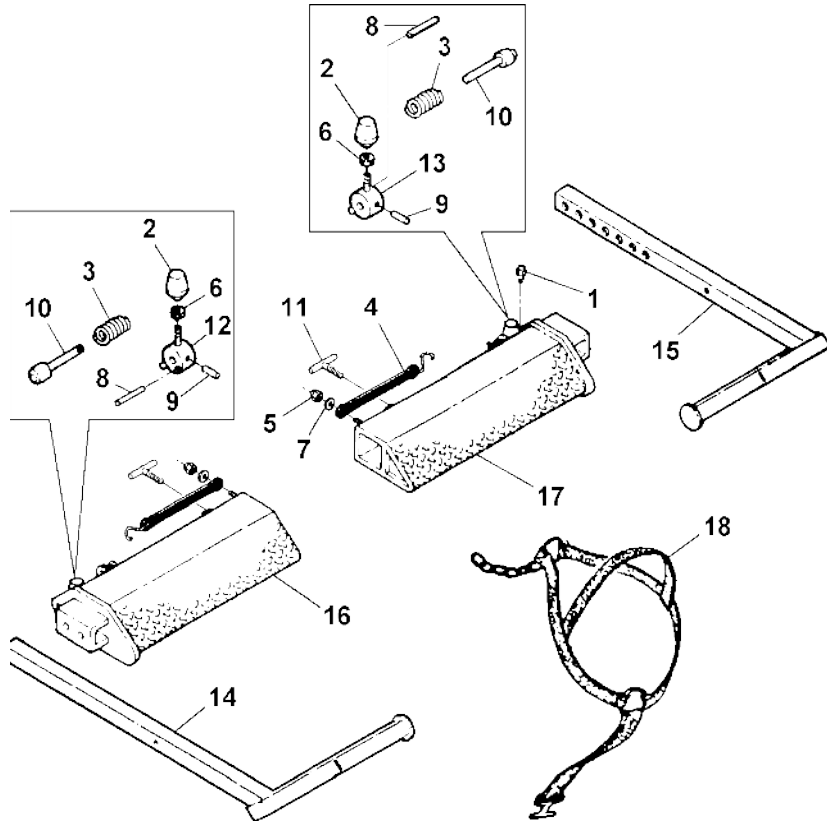
Section VI - PARTS (cont'd)
WRECKER HYDRAULICS - 4402B



Section VI - PARTS (cont'd)
WRECKER HYDRAULICS - 4402B

| REF. NO. | NO. REQ'D | PART NUMBER | DESCRIPTION |
|----------|-----------|-------------|------------------------------------|
| 1 | REF. | 0300010 | VALVE, 3-SPOOL, CONTROL |
| 2 | 1 | 0300011 | VALVE, 4-SPOOL, CONTROL |
| 3 | 4 | 0300040 | CONNECTOR, 8MJ-8MP |
| 4 | 4 | 0300041 | CONNECTOR, 8MJ-8MB |
| 5 | 3 | 0300044 | CONNECTOR, 6MJ-8MB |
| 6 | 2 | 0300052 | ELBOW, 8MJ-10MB90 |
| 7 | 2 | 0300055 | HOSEBARB, 12C4-12MP |
| 8 | 2 | 0300071 | CLAMP, HOSE 1" |
| 9 | 2 | 0300090 | MOTOR, CHAR-LYNN HYDRAULIC |
| 10 | 1 | 0300136 | FILTER ASSEMBLY, RETURN LINE |
| 11 | 2 | 0300142 | ELBOW, 6MJ-4MP90 |
| 12 | 1 | 0300147 | ELBOW, STREET 4MP-4FP90 |
| 13 | 2 | 0300206 | BRANCHTEE, 6MJ-6MJ-4MP |
| 14 | 1 | 0300286 | FITTING, H.P.C.O. |
| 15 | 1 | 0300660 | HOSE ASSEMBLY, 120" LONG |
| 16 | 1 | 0301375 | ELBOW, 12MB-12FP90 |
| 17 | 1 | 0301388 | ELBOW, 8MJ-8MB90 |
| 18 | 1 | 0301424 | MALE CONNECTOR, 6MJ-4MP |
| 19 | 1 | 0301470 | ELBOW, 6MJ-8MB90 |
| 20 | 1 | 0301471 | HOSE ASSEMBLY, H.P.C.O. |
| 21 | 1 | 0301547 | ELBOW, 8MJ-12MB90 |
| 22 | 4 | 0301620 | ELBOW, 6MJ-6MB90 |
| 23 | 4 FT. | 0301674 | HOSE, 3/4" RETURN |
| 24 | 1 | 0301696 | ELBOW, 6MJ-6FJX90 |
| 25 | 1 | 0301731 | HOLDING VALVE, 4000 PSI |
| 26 | REF. | 0301755 | CYLINDER, EXTEND |
| 27 | 1 | 0301780 | CONNECTOR, 8MJ-12MB |
| 28 | 1 | 0301790 | HOSE ASSEMBLY, 15" LONG |
| 29 | 1 | 0301964 | HOSE ASSEMBLY, 65" LONG |
| 30 | 1 | 0301965 | HOSE ASSEMBLY, 131" LONG |
| 31 | 1 | 0302573 | TEE, 6MJ-6MJ-6FJX |
| 32 | 2 | 0302634 | HOSE ASSEMBLY, 20" LONG |
| 33 | 4 | 0303014 | HOSE ASSEMBLY, 80" LONG |
| 34 | 4 | 0400177 | SCREW, 1/2"-13 X 1-1/4" HEX HD CAP |
| 35 | 4 | 0400491 | LOCKWASHER, 1/2" HELICAL |
| 36 | 4 | GR247 | HOSE ASSEMBLY, 30" LONG |
| 37 | REF. | IT27B | CYLINDER, BOOM ELEVATION |

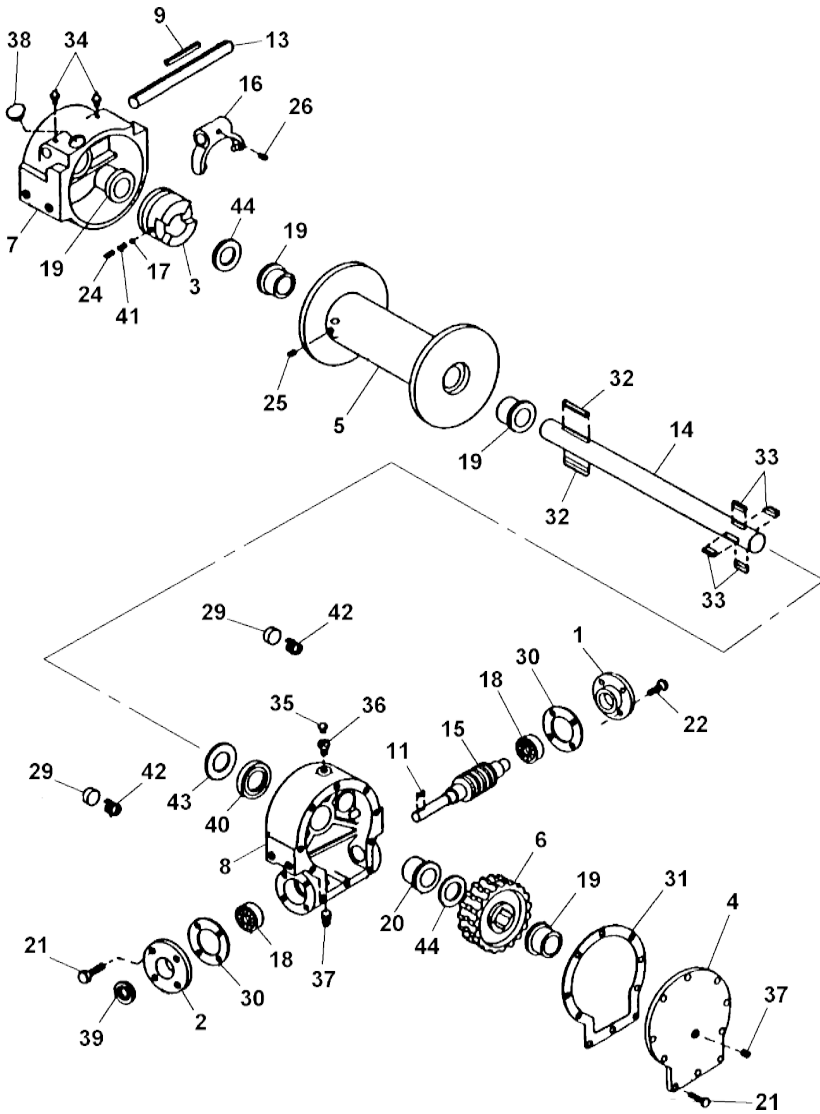
Section VI - PARTS (cont'd)
OUTER CROSSTUBE &
TIRE RESTRAINT ASSEMBLY



Section VI - PARTS (cont'd)
OUTER CROSSTUBE &
TIRE RESTRAINT ASSEMBLY

| REF. NO. | NO. REQ'D | PART NUMBER | DESCRIPTION |
|----------|-----------|-------------|--|
| -- | 1 | 0902456 | CROSSTUBE, LEFT OUTER, W/ BASKET STRAP HOOKS (COMPLETE) |
| -- | 1 | 0902457 | CROSSTUBE, RIGHT OUTER, W/ BASKET STRAP HOOKS (COMPLETE) |
| 1 | 2 | 0300113 | GREASE FITTING, ALEMITE |
| 2 | 2 | 0300341 | KNOB |
| 3 | 2 | 0301417 | SPRING, PLUNGER PIN |
| 4 | 2 | 0301956 | STRAP, 9" RUBBER |
| 5 | 2 | 0400367 | NUT, 1/4"-20 NYLOK HEX |
| 6 | 2 | 0400393 | NUT, 3/8"-16 JAM HEX |
| 7 | 2 | 0400451 | WASHER, 1/4" FLAT |
| 8 | 2 | 0400559 | PIN, 3/16" X 1" ROLL |
| 9 | 2 | 0400560 | PIN, 5/32" X 1" ROLL |
| 10 | 2 | 0706688 | PIN, PLUNGER |
| 11 | 2 | 0800590 | HANDLE, TEE |
| 12 | 1 | 0802069 | HANDLE, LEFT PLUNGER |
| 13 | 1 | 0802070 | HANDLE, RIGHT PLUNGER |
| 14 | 1 | 0802356 | TIRE RESTRAINT, LEFT, W/ BASKET STRAP SLOT |
| 15 | 1 | 0802357 | TIRE RESTRAINT, RIGHT, W/ BASKET STRAP SLOT |
| 16 | 1 | 0802359 | CROSSTUBE, LEFT OUTER |
| 17 | 1 | 0802360 | CROSSTUBE, RIGHT OUTER |
| 18 | 2 | 0902382 | 1" NYLON POLY COAT STRAP |

Section VI - PARTS (cont'd) HYDRAULIC WINCH



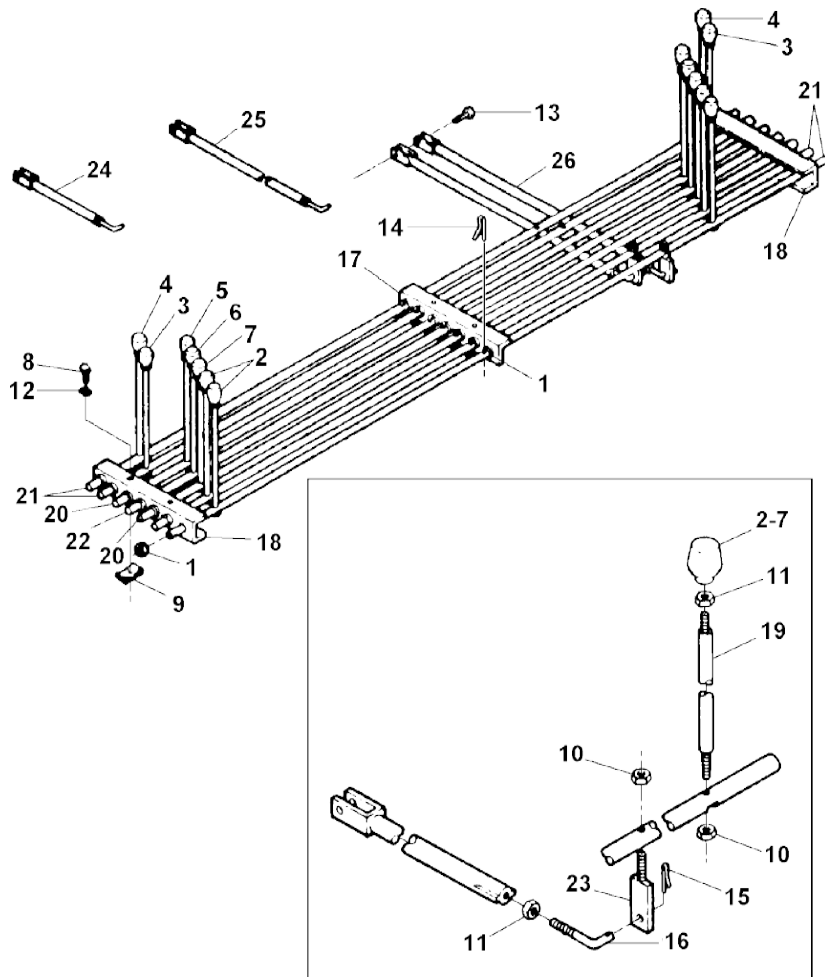
VI-20

Section VI - PARTS (cont'd) HYDRAULIC WINCH

| REF. NO. | NO. REQ'D | PART NUMBER | DESCRIPTION |
|----------|-----------|-------------|--|
| 1 | 1 | 316083 | BEARING CAP |
| 2 | 1 | 316084 | BEARING CAP |
| 3 | 1 | 324161 | JAW CLUTCH |
| 4 | 1 | 328134 | COVER |
| 5 | 1 | 332007 | DRUM "Y" |
| 6 | 1 | 334164 | GEAR L.H. 46:1 |
| 7 | 1 | 338003 | HOUSING, CLUTCH |
| 8 | 1 | 338273 | HOUSING, GEAR |
| 9 | 1 | 342018 | KEY |
| 10 | 1 | 342024 | KEY |
| 11 | 1 | 342027 | KEY |
| 12 | 1 | 344008 | LEVER, SHIFTER |
| 13 | 1 | 356902 | SHAFT, SHIFTER |
| 14 | 1 | 357480 | SHAFT, DRUM "Y" |
| 15 | 1 | 368009 | WORM L.H. 46:1 |
| 16 | 1 | 370001 | YOKE |
| 17 | 1 | 400001 | BALL, POPPET |
| 18 | 2 | 402002 | BEARING, BALL |
| 19 | 4 | 412003 | BUSHING |
| 20 | 1 | 412045 | BUSHING |
| 21 | 10 | 414038 | SCREW, 1/4-20 X 3/4" HEX HD CAP |
| 22 | 8 | 414045 | SCREW, 1/4-20 X 7/8" HEX HD CAP |
| 23 | 4 | 414282 | SCREW, 3/8-16 X 3/4" HEX HD CAP |
| 24 | 1 | 416040 | SCREW, 1/4-20 X 1-1/4" SKT HD LESS SET |
| 25 | 1 | 416059 | SCREW, 3/8-16 X 3/8" SOC HD LESS SET |
| 26 | 1 | 416084 | SCREW, 1/4-20 X 1/2" SQ HD SET |
| 27 | 1 | 416109 | SCREW, 5/16-18 X 1/2" SQ HD SET |
| 28 | 4 | 418177 | LOCKWASHER, 3/8 MED SECT |
| 29 | 2 | 438014 | DRAG BRAKE |
| 30 | 2 | 442184 | GASKET |
| 31 | 1 | 442205 | GASKET |
| 32 | 2 | 450006 | KEY, BARTH |
| 33 | 4 | 450016 | KEY, BARTH |
| 34 | 2 | 456006 | FITTING, LUBE |
| 35 | 1 | 456008 | FITTING, RELIEF |
| 36 | 1 | 468002 | REDUCER |
| 37 | 2 | 468011 | PIPE PLUG |
| 38 | 1 | 482013 | PLASTIC PLUG |
| 39 | 1 | 486009 | OIL SEAL |
| 40 | 4 | 486017 | OIL SEAL |
| 41 | 1 | 494001 | SPRING, POPPET |
| 42 | 2 | 494002 | SPRING |
| 43 | 1 | 518014 | THRUST WASHER |
| 44 | 2 | 518015 | THRUST WASHER |

VI-21

Section VI - PARTS (cont'd)
CONTROL & CROSSROD ASSEMBLY



VI-22

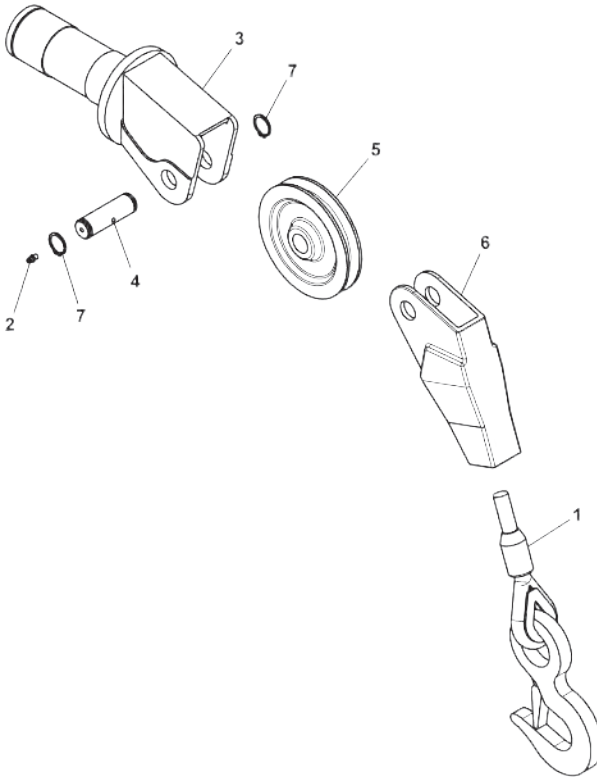
Section VI - PARTS (cont'd)
CONTROL & CROSSROD ASSEMBLY

| REF. NO. | NO. REQ'D | PART NUMBER | DESCRIPTION |
|----------|-----------|-------------|-------------------------------------|
| 1 | 21 | 0300122 | GROMMET, SPLIT PLASTIC |
| 2 | 4 | 0300834 | KNOB, CABLE "IN-OUT" (RED) |
| 3 | 2 | 0300835 | KNOB, WRECKER BOOM "UP-DN" (BLACK) |
| 4 | 2 | 0300837 | KNOB, WRECKER BOOM "IN-OUT" (BLACK) |
| 5 | 2 | 0302856 | KNOB W/L "TILT" (GRAY) |
| 6 | 2 | 0302917 | KNOB, W/L "IN-OUT" (GRAY) |
| 7 | 2 | 0302967 | KNOB, W/L "UP-DN" (GRAY) |
| 8 | 6 | 0400066 | SCREW, 1/4"-20 X 3/4" HEX HD CAP |
| 9 | 6 | 0400370 | CLIP, 1/4" TINNEMAN |
| 10 | 21 | 0400390 | NUT, 3/8"-16 HEX JAM ESLOK |
| 11 | 21 | 0400393 | NUT, 3/8"-16 HEX JAM |
| 12 | 6 | 0400452 | LOCKWASHER, 1/4" HELICAL |
| 13 | 7 | 0400527 | CLEVIS PIN, 5/16" X 5/8" COTTERLESS |
| 14 | 14 | 0400542 | COTTER PIN, 3/16" X 1-1/4" |
| 15 | 7 | 0400543 | COTTER PIN, 1/8" X 3/4" |
| 16 | 5 | 0701099 | EXTENSION, CONTROL ROD LONG |
| 17 | 2 | 0701927 | EXTENSION, CONTROL ROD SHORT |
| 18 | 1 | 0703501 | ANGLE, CROSSROD BEARING |
| 19 | 2 | 0704528 | CROSSROD - W/L |
| 20 | 4 | 0704529 | CROSSROD - WRECKER |
| 21 | 1 | 0704530 | CROSSROD - TILT |
| 22 | 2 | 0704517 | CHANNEL, CROSS ROD BEARING |
| 23 | 14 | 0704527 | LEVER, CONTROL |
| 24 | 7 | 0800604 | ARM, CROSS CONTROL |
| 25 | 3 | 0801309 | CONTROL ROD, SHORT |
| 26 | 2 | 0801310 | CONTROL ROD, MEDIUM |
| 27 | 2 | 0801311 | CONTROL ROD, LONG |

VI-23

Section I - PARTS (cont'd)

BOOM SWIVEL ASSEMBLY



| REF. NO. | NO. REQ'D | PART NUMBER | DESCRIPTION |
|----------|-----------|-------------|--|
| -- | -- | 0910550 | 440 SHIP KIT SINGLE WINCH |
| 1 | 1 | 0302916 | WIRE ROPE, 3/8" X 6 X 19 IPS |
| -- | -- | 805180000 | SHEAVE HOUSING ASSEMBLY |
| 2 | 1 | 0300113 | GREASE FITTING, 1/4"-28 STRAIGHT |
| 3 | 1 | 804181500 | SHEAVE HOUSING CASTING |
| 4 | 1 | 805180001 | SHEAVE SHAFT |
| 5 | 1 | 805180002 | SHEAVE CASTING (WAS 9050504) |
| 6 | 1 | 852060100 | CABLE GUIDE ~ CASTING |
| 7 | 2 | 9056098 | RETAINING RING, EXT 1" NOM. HEAVY DUTY |

Section I - PARTS (cont'd)

MISCELLANEOUS KITS & PARTS

| REF. NO. | NO. REQ'D | PART NUMBER | DESCRIPTION |
|-------------|--------------|----------------|---|
| -- | -- | 0910521 | 440 BASIC UNIT ASSEMBLY SINGLE WINCH |
| 1 | 4 | 0400002 | 4 X 1/4" DRIVE SCREW ROUND HEAD |
| 2 | 2 | 0400138 | 3/8"-16 X 2" SQUARE HEAD SET SCREW |
| 3 | 1 | 0501422 | PLATE-SERIA L& DATA 804,807,810 |
| 4 | 1 | 0722961 | BRACKET, JUNCTION BOX STAND 440 |
| 5 | 1 | 810740001 | WIRING HARNESS 810 |
| -- | -- | 0910607 | 440 BOOM ASSEMBLY, SINGLE WINCH |
| 6 | 1 | 0301334 | CATERPILLER GROMMET -1/2 |
| 7 | 4 | 0400109 | 5/16"-18 X 1" HHCS GR5 ZP |
| 8 | 4 | 0400464 | 5/16" HELICAL LCKWSHR ZP |
| -- | -- | 0910550 | 440 SHIP KIT SINGLE WINCH |
| 9 | 1 | 0300076 | LICENSE PLATE BRACKET (LT0117) |
| 10 | 1 | 0300273 | LICENSE PLATE ILLUMINATING (LIGHT ONLY) |
| 11 | 1 | 0300442 | LIGHT, 3 BAR 15741R (9025006) |
| 12 | 20 | 0302062 | WIRE TIE 21" |
| 13 | 1 | 0303061 | BACK UP ALARM ECCO MS97 |
| 14 | 1 | 0303226 | 80 AMP CIRCUIT BREAKER |
| 15 | 1 | 0306715 | REMOTE-HANDHELD 5-SW 22 FT-810 |
| 16 | 1 | 0307544 | SWING CHECK VALVE, 1" BRONZE |
| 17 | 14 | 0310424 | SEAL, LTI BULB 1211 |
| 18 | 2 | 0400133 | 3/8"-16 X 3" HHCS GR5 ZP |
| 19 | 2 | 0400392 | 3/8"-16 NYLOK HEX NUT ZINC |
| 20 | 4 | 0400484 | WASHER, SPECIAL .406ID x 1.75OD |
| 21 | 2 | 0402120 | 3/8" FLATWASHER 316 SS |
| 22 | 2 | 0402121 | 3/8" LOCKWASHER 316 SS |
| 23 | 1 | 0501701 | MANUAL, 440 SL OPERATION/SAFETY/MAINT |
| 24 | 1 | 0702540 | HOSE ASSEMBLY, SUCTION - 12FT (1" ID) |
| 25 | 1 | 0906112 | 810 FITTING BAG |
| 26 | 2 | 0906401 | TIE-DOWN STRAP ASSEMBLY (EXPRESS) |
| 27 | 1 | 0907280 | 806,807,810 SS BOLT BAG |
| 28 | 2 | 810620500 | WHEEL SPACER WELDMENT |
| 29 | 6 | 9022009 | BUTT SPLICE (14-16) 2RB1 |
| 30 | 5 | 9022076 | RING TERM 14-16GA DKBLUE CRIMP |
| 31 | 2 | 9025068 | REFLECTOR-PETERSON B489R DECAL |
| 32 | 1 | 9033194 | WARNING DECAL MOVING PAR |
| 33 | 1 | 9033198 | DECAL-SAFETY CHAINS |
| 34 | 1 | HC1335 | PIPE NIPL-1" CLOSED THR |

Section I - PARTS (cont'd)

MISCELLANEOUS KITS & PARTS (cont'd)

| REF. NO. | NO. REQ'D | PART NUMBER | DESCRIPTION |
|----------|-----------|-------------|--|
| -- | -- | 0906112 | 810 FITTING BAG |
| 35 | 3 | 0303373 | CLAMP INSULATED 2" |
| 36 | 1 | 0303564 | PIPE, 1" NPT PLUG - MALE |
| 37 | 1 | HC1335 | PIPE NIPPLE-1" CLOSED THR |
| -- | -- | 0906401 | TIE-DOWN STRAP ASSEMBLY (EXPRESS) |
| 38 | 1 | 0306724 | STRAP-8' W/SLEEVE & HOOK |
| 39 | 1 | 0306729 | RATCHET ASSEMBLY W/HOOK |
| 40 | 1 | 0501080 | OPERATION INSTRUCTIONS-TIE DOWN STRAP |
| -- | -- | 0907280 | 806,807,810 SS BOLT BAG |
| 41 | 18 | 0400343 | 1/2"-13 X 2" HHCS GR 8 ZP |
| 42 | 8 | 0400421 | 5/8"-11 NYLOK HEX NUT ZP |
| 43 | 20 | 0400505 | 5/8" SAE WASHER |
| 44 | 8 | 0401000 | 1/2"-13 X 2" BUTTON HEAD |
| 45 | 8 | 9041605 | 5/8" NC X 2" HHCS PL GR8 |
| 46 | 20 | 9046527 | POP RIVET 3/16" X 7/16" ALUMINUM |
| 47 | 6 | 9046572 | POP RIVET-1/8" X 1/2" GRIP |
| -- | -- | 0910549 | 440 CARBON STEEL BODY INSTALL ASSEMBLY |
| 48 | 8 | 0400133 | 3/8"-16 X 3" HHCS GR5 ZP |
| 49 | 6 | 0400482 | 3/8" HELICAL LOCKWASHER - ZP |
| -- | -- | 0910621 | 440 CARBON STEEL BODY SHIP KIT |
| 50 | 2.5 | 0303056 | "D" GASKET- H2 ADHESIVE |
| 51 | 14 | 0310590 | SEAL, LW DOOR |
| 52 | 3 | 9032006 | WEATHER STRIP 3/16" X 1/2" |



Miller Industries Towing Equipment Inc.

8503 Hilltop Drive • Ooltewah, Tennessee 37363 • (423) 238-4171

www.millerind.com