



OWNER'S MANUAL

440 SERIES / DFT 400

INSTALLATION, OPERATION, MAINTENANCE & PARTS

NOTE: MANUAL including SPECIFICATIONS, subject to change without notice.
All ratings specified are based on structural factors only,
not vehicle capacities or capabilities.



Miller Industries Towing Equipment Inc.
8503 Hilltop Drive
Ooltewah, Tennessee 37363

Phone (423) 238-4171 • FAX (423) 238-5371

FORM NO. 0500730
10 / 94
PRICE \$25.00

LIMITED WARRANTY

MILLER INDUSTRIES TOWING EQUIPMENT INC., hereinafter referred to as MILLER, warrants to the original purchaser that each new MILLER wrecker or other MILLER products will be free from defects in material and workmanship for a period of twelve (12) months from date placed in service, but in no event shall such warranty period exceed twenty-four (24) months from date of manufacture by MILLER. The purchaser must promptly notify MILLER in writing of any failure in material or workmanship. In no event shall MILLER accept such notification later than twenty-four (24) months from date of delivery or twelve (12) months from date placed in service, whichever is earlier.

MILLER's obligation under this warranty, statutory or otherwise, is limited to the repair or replacement at the MILLER factory, or at a point designated by MILLER, of such part or parts as shall appear upon inspection by MILLER to be defective in material or workmanship. New or remanufactured parts will be used for any replacement at MILLER's option. This warranty is not transferable. This warranty does not obligate MILLER to bear the cost of labor or transportation charges in connection with the repair or replacement of any parts found to be defective, nor shall it apply to a product upon which repairs or alterations have been made unless authorized by MILLER.

EXCEPT AS EXPRESSLY SET FORTH IN THIS WARRANTY, MILLER MAKES NO OTHER WARRANTY, EXPRESS OR IMPLIED, AND HEREBY DISCLAIMS ALL OTHER WARRANTIES INCLUDING, BUT NOT LIMITED TO, THE IMPLIED WARRANTIES OF MERCHANTABILITY AND FITNESS FOR A PARTICULAR PURPOSE. MILLER shall in no event be liable for claimed downtime, claimed loss of profits or goodwill, or any other special, incidental, indirect, or consequential damages concerning or relating to any product or parts, whether based on negligence, strict liability, breach of contract, breach of warranty, misrepresentation or any other legal theory, regardless of whether the loss resulted from any general or particular requirement which MILLER knew or had reason to know about at the time of sale.

MILLER MAKES NO WARRANTY, EXPRESS OR IMPLIED, AS TO THE FINISHED PRODUCTS MANUFACTURED OR SUPPLIED BY ANOTHER MANUFACTURER AND SUPPLIED BY MILLER TO PURCHASER, including, but not limited to, any vehicle to which a MILLER product may be affixed or any accessories or wire rope, and MILLER EXPRESSLY DISCLAIMS ANY IMPLIED WARRANTIES OF MERCHANTABILITY OR FITNESS FOR A PARTICULAR PURPOSE AS TO SUCH EQUIPMENT OR PRODUCTS. This language shall in no way affect or diminish the rights of the purchaser to rely on such warranties as are extended by such manufacturers or suppliers. MILLER shall, to the extent permitted under applicable law, pass on to the purchaser such manufacturer's or seller's warranty.

MILLER, whose policy is one of continuous improvement, reserves the right to improve its products through changes in design or materials as it may deem desirable without being obligated to incorporate such changes in products previously sold. This warranty is not intended to cover or include the following items, which are set forth by way of example and not limitation:

- A. Normal deterioration of trim, paint, lettering, and appearance items due to wear or exposure to weather, road conditions, road treatments, etc.
- B. Any damage or defect due to accident, misuse, abuse, improper or unauthorized repairs, failure to provide reasonable and necessary maintenance, or uses for which the equipment was not designed or intended.
- C. Alterations or modifications that affect performance, operation or reliability.
- D. Normal maintenance parts including, but not limited to, wear pads, bushings, wire rope, mud flaps, fenderettes, light bulbs, hydraulic oil, filters, and tow sling belts.

IT IS EXPRESSLY UNDERSTOOD THAT MILLER MAKES NO IMPLIED WARRANTY THAT MILLER PRODUCTS SHALL BE FIT FOR THE PURPOSE OF LIFTING OR MOVING PEOPLE OR FOR ANY OTHER IMPROPER USE.



Miller Industries Towing Equipment Inc.
8503 Hilltop Drive
Ooltewah, Tennessee 37363

Telephone (423) 238-4171

SERIAL NUMBER

Section VI - PARTS

This Section is provided by the manufacturer for the purpose of ordering any component part of the HOLMES 440 Wrecker that may be required when part replacement is necessary. Be certain to use only original equipment replacement parts for warranty purposes as well as for keeping your HOLMES 440 Wrecker in its original state and optimum operating capacities.

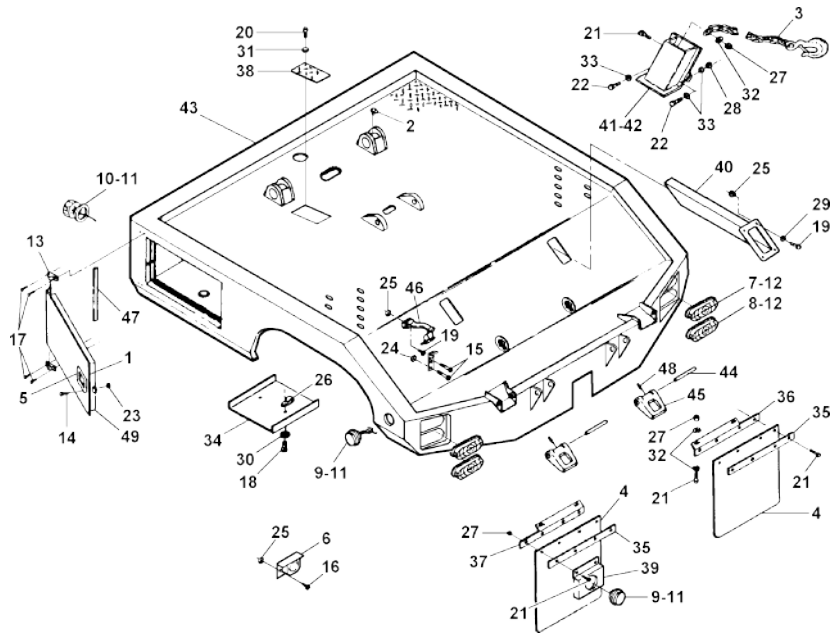
When ordering replacement or spare parts be sure to provide the following information to the manufacturer's Parts Department.

- 1. Manual Number & Date of Publication**
- 2. Manual Page Number**
- 3. Page Title**
- 4. Reference Number of Part Desired**
- 5. Part Number**
- 6. Part Description**
- 7. Quantity of Part Desired**

Providing this information will help ensure that the correct parts will be delivered to you in an expedient manner without delay. Should additional information be required for repair or replacement of certain components, contact your Wrecker Manufacturer Authorized Representative.

The Manufacturer reserves the right, without notice or obligation, to improve or modify their products, which may change the specifications, models and feature availability.

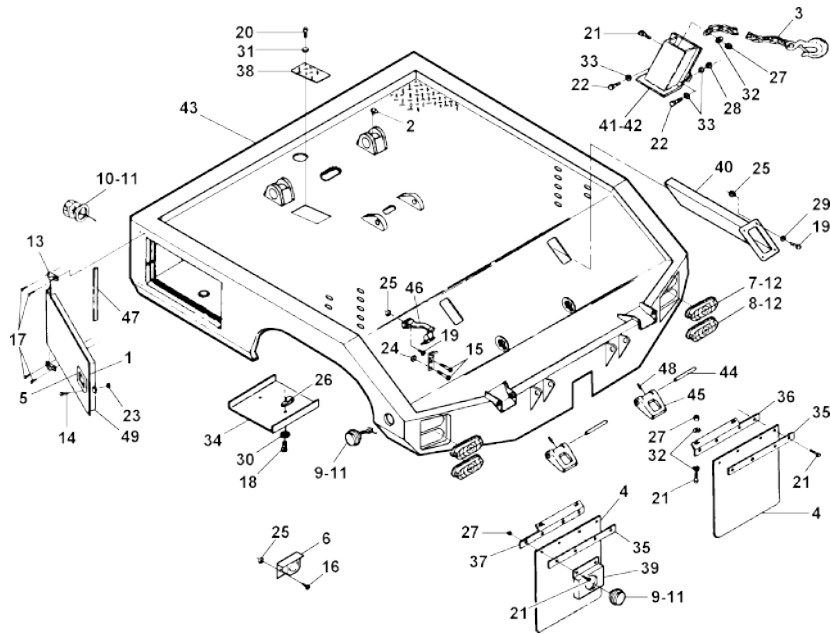
Section VI - PARTS (cont'd)
440B BODY ASSEMBLY
(Continued on Page VI-4)



Section VI - PARTS (cont'd)
440B BODY ASSEMBLY
(Continued on Page VI-5)

REF. NO.	NO. REQ'D	PART NUMBER	DESCRIPTION
1	8 FT.	0300844	SPONGE, 3/4" X 1/8" W/ ADHBK
2	2	0301397	GREASE FITTING, ALEMITE
3	2	0301932	5/16" X 10' CHAIN ASSEMBLY
4	2	0302173	MUDFLAP, BLACK W/ RWL (GO138B)
5	1	0302855	LATCH, TOOL COMPARTMENT DOOR
6	1	0303061	BACK UP ALARM
7	2	0303123	LIGHT, SEALED RED, STOP & TURN
8	2	0303124	LIGHT, SEALED WHITE, BACKUP
9	4	0303125	LIGHT, SEALED MARKER, RED
10	2	0303126	LIGHT, SEALED MARKER, AMBER
11	6	0303127	GROMMET, MARKER LIGHT
12	4	0303128	GROMMET, TAILLIGHT
13	2	0304264	HINGE, DOOR
14	4	0400021	SCREW, #8-32 X 1/2" RD HD PHILLIPS
15	4	0400036	SCREW, #10-32 X 1" RD HD MCH
16	2	0400057	SCREW, 1/4-20 X 1-1/4" HEX HD CAP
17	4	0400062	SCREW, 1/4"-20 X 3/4" TYPE "F" THD CUT
18	4	0400066	SCREW, 1/4-20 X 3/4" HEX HD CAP
19	10	0400070	SCREW, 1/4-20 X 1" HEX HD CAP
20	4	0400109	SCREW, 5/16"-18 X 1" HEX HD CAP
21	14	0400122	SCREW, 3/8"-16 X 1-1/4" HEX HD CAP
22	4	0400181	SCREW, 1/2"-13 X 1-1/5" HEX HD CAP
23	4	0400351	NUT & STAR WASHER, #8-32 HEX
24	4	0400357	NUT, #10-32 NYLOK HEX
25	12	0400367	NUT, 1/4"-20 NYLOK HEX

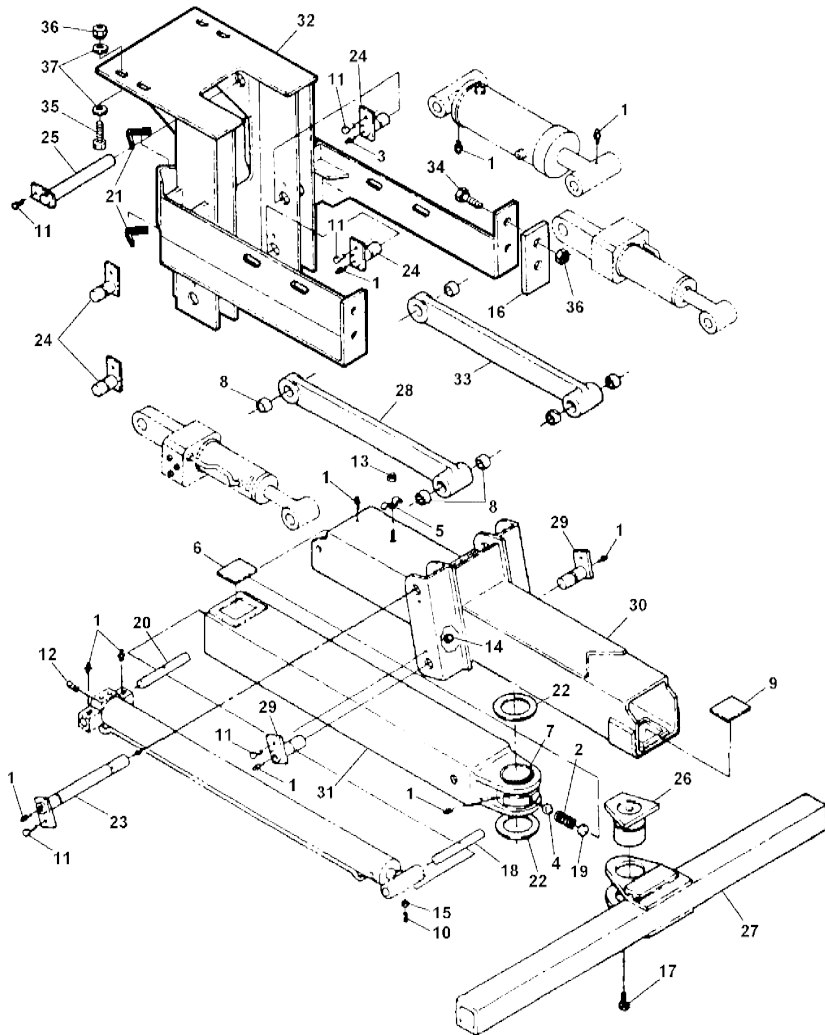
Section VI - PARTS (cont'd)
440B BODY ASSEMBLY
(Continued from Page VI-2)



Section VI - PARTS (cont'd)
440B BODY ASSEMBLY
(Continued from Page VI-3)

REF. NO.	NO. REQ'D	PART NUMBER	DESCRIPTION
26	4	0400370	CLIP, 1/4" "U" TYPE TINNEMAN
27	14	0400392	NUT, 3/8"-16 NYLOK HEX
28	4	0400408	NUT, 1/2"-13 NYLOK HEX
29	16	0400451	WASHER, 1/4" FLAT
30	4	0400452	LOCKWASHER, 1/4" HELICAL
31	4	0400464	LOCKWASHER, 5/16" HELICAL
32	10	0400480	WASHER, 3/8" FLAT
33	8	0400492	WASHER, 1/2" FLAT
34	2	0704516	GUARD, CONTROL STATION
35	2	0705092	BAR, MUDFLAP
36	1	0708809	MUDFLAP MOUNTING ANGLE, RIGHT
37	1	0708810	MUDFLAP MOUNTING ANGLE, LEFT
38	1	0708931	ACCESS COVER, FILTER
39	2	0710198	BRACKET, MARKER LIGHT
40	2	0802388	STORAGE TUBE WELDMENT
41	1	0802594	LT CHAIN BOX WELDMENT
42	1	0802595	RT CHAIN BOX WELDMENT
43	1	0802705	BODY WELDMENT - 4400B 60 C.A.
44	2	BA0259	PIN, "D" RING
45	2	BA0283	"D" RING
46	2	GR400	RUBBER CATCH, HOOD, HD 8"
47	1	HB73	ANGLE, DOOR SPLASH GUARD
48	2	HD0106	SPRING PIN, 1/4" X 1-3/4"
49	1	HF56	SMALL DOOR WELDMENT

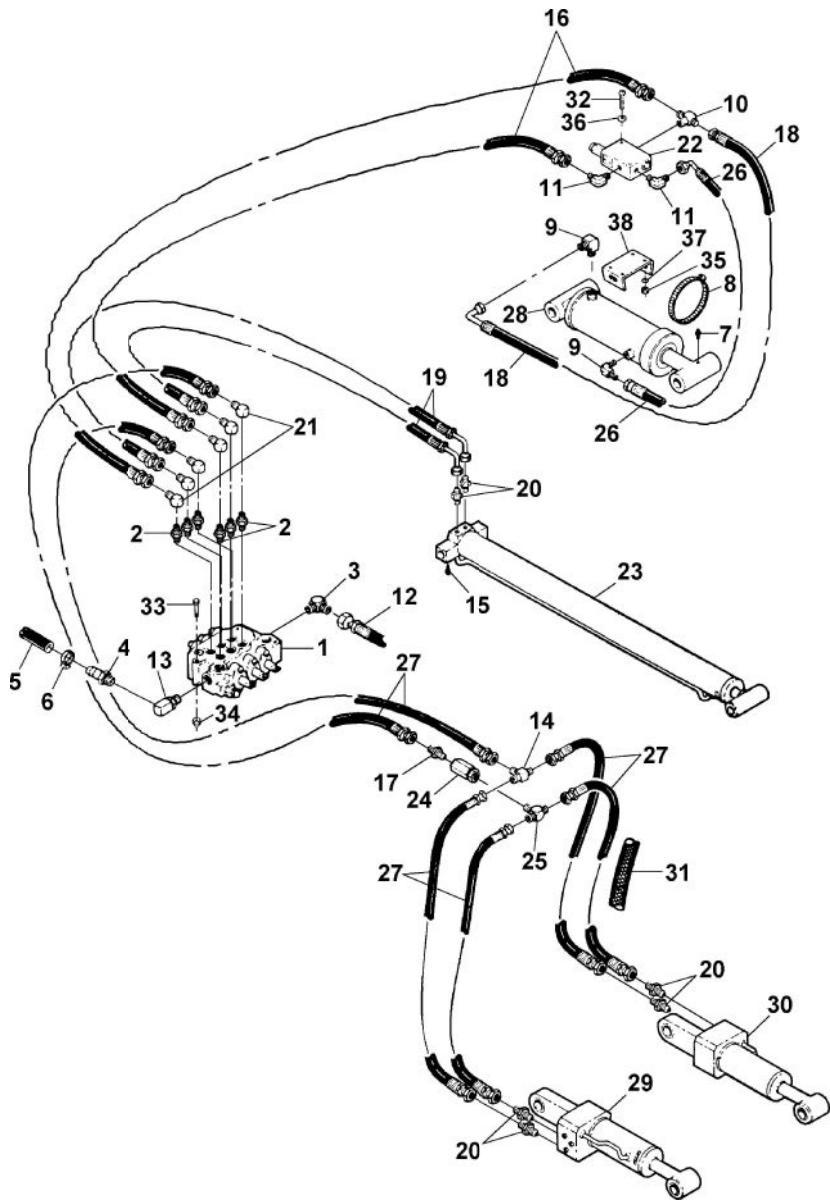
Section VI - PARTS (cont'd)
DFT 400 WHEEL LIFT ASSEMBLY



Section VI - PARTS (cont'd)
DFT 400 WHEEL LIFT ASSEMBLY

REF. NO.	NO. REQ'D	PART NUMBER	DESCRIPTION
1	13	0300113	GREASE FITTING, ALEMITE
2	1	0301197	SPRING, DETENT
3	2	0301397	GREASE FITTING, ALEMITE
4	1	0301398	BALL, DETENT
5	2	0301601	CLAMP
6	1	0301850	SLIDE PAD, NYLATRON
7	1	0301914	BUSHING
8	6	0303016	BUSHING
9	1	0303018	SLIDE PAD, NYLATRON
10	1	0400139	SCREW, 3/8"-16 X 1-1/2" HEX SKT SET
11	8	0400141	SCREW, 3/8"-16 X 7/8" HEX HD CAP
12	1	0400353	SETSCREW, 3/8"-16 X 1/2" ALLEN HD
13	1	0400366	NUT, 1/4"-20 HEX
14	8	0400392	NUT, 3/8"-16 NYLOK HEX
15	1	0400398	NUT, 3/8"-16 HEX JAM
16	*	0701941	WHEEL LIFT MOUNTING SPACER
17	2	0701956	SCREW, 1/2"-13 X 1" HEX HD CAP
18	1	0702131	SHAFT, CYLINDER
19	1	0702546	SPACER
20	1	0703345	SHAFT, EXTEND CYLINDER
21	4	0703422	HOSE GUARD
22	2	0703640	THRUST WASHER
23	1	0801009	UPPER SHAFT WELDMENT, BOOM
24	4	0801011	SHAFT WELDMENT, ARM
25	1	0801012	SHAFT, LIFT CYLINDER
26	1	0801073	PIN, CROSSTUBE PIVOT
27	1	0801074	CROSSTUBE, INNER WELDMENT
28	2	0801157	UPPER ARM WELDMENT
29	2	0801448	LOWER SHAFT WELDMENT, BOOM
30	1	0801687	OUTER BOOM WELDMENT
31	1	0802480	INNER BOOM WELDMENT
32	1	0802610	FRAME WELDMENT
33	2	0900883	UPPER ARM ASSY - INCLUDES ITEMS 8 & 28
--	--	0902835	WHEEL LIFT MOUNTING HARDWARE
34	4	0400260	SCREW, 5/8"-11 X 2" HEX HD CAP
35	4	0400264	SCREW, 5/8"-11 X 2-1/4" HEX HD CAP
36	8	0400421	NUT, 5/8"-11 NYLOK HEX
37	8	0400506	WASHER, 5/8" FLAT

Section VI - PARTS (cont'd)
DFT 400 WHEEL LIFT HYDRAULICS



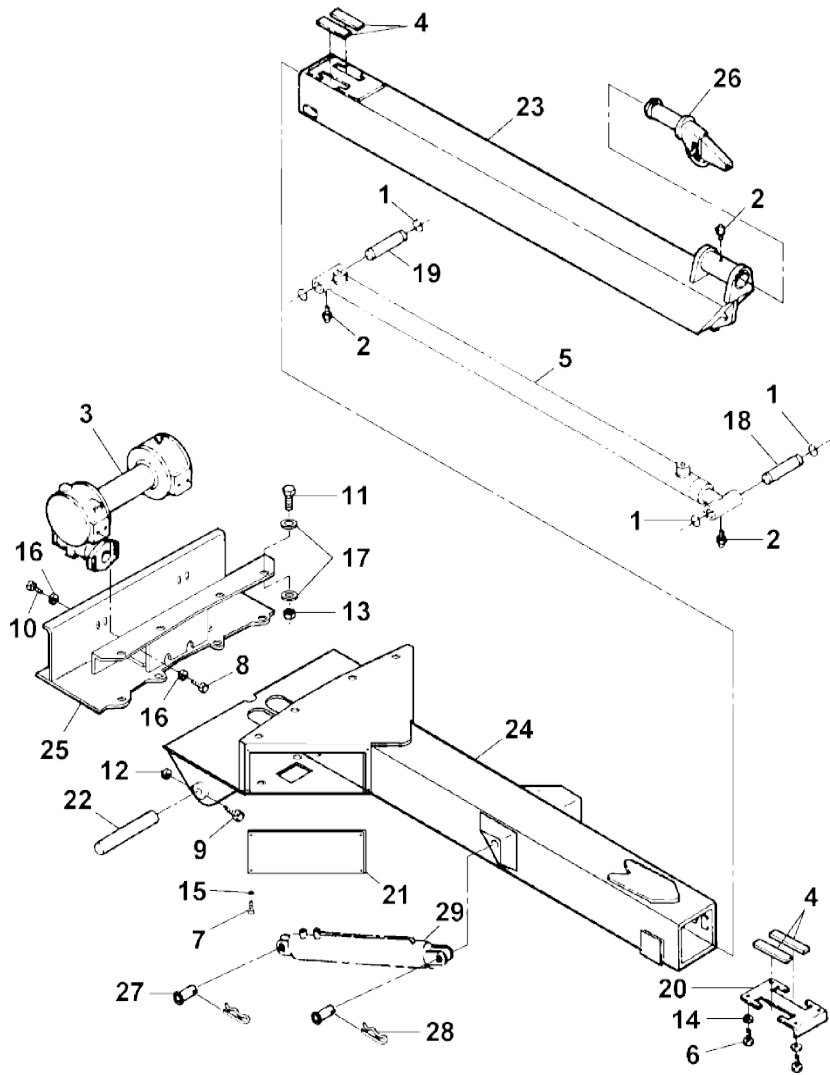
VI-8

Section VI - PARTS (cont'd)
DFT 400 WHEEL LIFT HYDRAULICS

REF. NO.	NO. REQ'D	PART NUMBER	DESCRIPTION
1	1	0300010	3-SPOOL VALVE
2	6	0300044	CONNECTOR, 6MJ-8MB
3	4	0300052	ELBOW, 8MJ-10MB90
4	4	0300055	HOSEBARB, 12C4-12MP
5	4 FT.	0301674	HOSE, 3/4" RETURN
6	1	0300071	CLAMP, HOSE 1"
7	2	0300113	GREASE FITTING, ALEMITE
8	1	0300133	CLAMP, HOLDING VALVE
9	2	0300142	ELBOW, 6MJ-4MP90
10	1	0300206	BRANCHTEE, 6MJ-6MJ-4MP
11	2	0300209	ELBOW, 6MJ-6MP90
12	1	0300660	HOSE ASSEMBLY, 120"
13	1	0301375	ELBOW, 12MB-12FP90
14	1	0301377	TEE, 6MJ-6MJ-6MJ
15	2	0301397	GREASE FITTING, ALEMITE 90°
16	2	0301402	HOSE, LIFT CYLINDER, 45"
17	1	0301425	CONNECTOR, 6MJ-6MP
18	1	0301473	HOSE ASSEMBLY, 18"
19	2	0301485	HOSE ASSEMBLY, 81"
20	6	0301522	CONNECTOR, 6MJ-6MB
21	6	0301696	ELBOW, 6MJ-6FJX90
22	1	0301731	HOLDING VALVE, 4000 PSI
23	1	0301825	CYLINDER, EXTEND
24	1	0301854	VALVE, RESTRICTOR
25	1	0301855	TEE, 6MJ-6MJ-6MP
26	1	0301900	HOSE ASSEMBLY, 18"
27	6	0301902	HOSE ASSEMBLY, 35"
28	1	0302341	CYLINDER, LIFT
29	1	0302904	CYLINDER, TILT, L.H.
30	1	0302905	CYLINDER, TILT, R.H.
31	20 FT.	0303193	SKUFF JACKET
32	2	0400069	SCREW, 1/4"-20 X 2" RD HD SLOTTED
33	2	0400140	SCREW, 3/8"-16 X 4" HEX HD CAP
34	2	0400362	NUT, 3/8"-16 NYLOK HEX
35	2	0400366	NUT, 1/4"-20 HEX
36	2	0400451	WASHER, 1/4" FLAT
37	2	0400452	LOCKWASHER, 1/4" HELICAL
38	1	0703001	BRACKET, CHECK VALVE MOUNTING

VI-9

Section VI - PARTS (cont'd)
WRECKER ASSEMBLY - 4401B



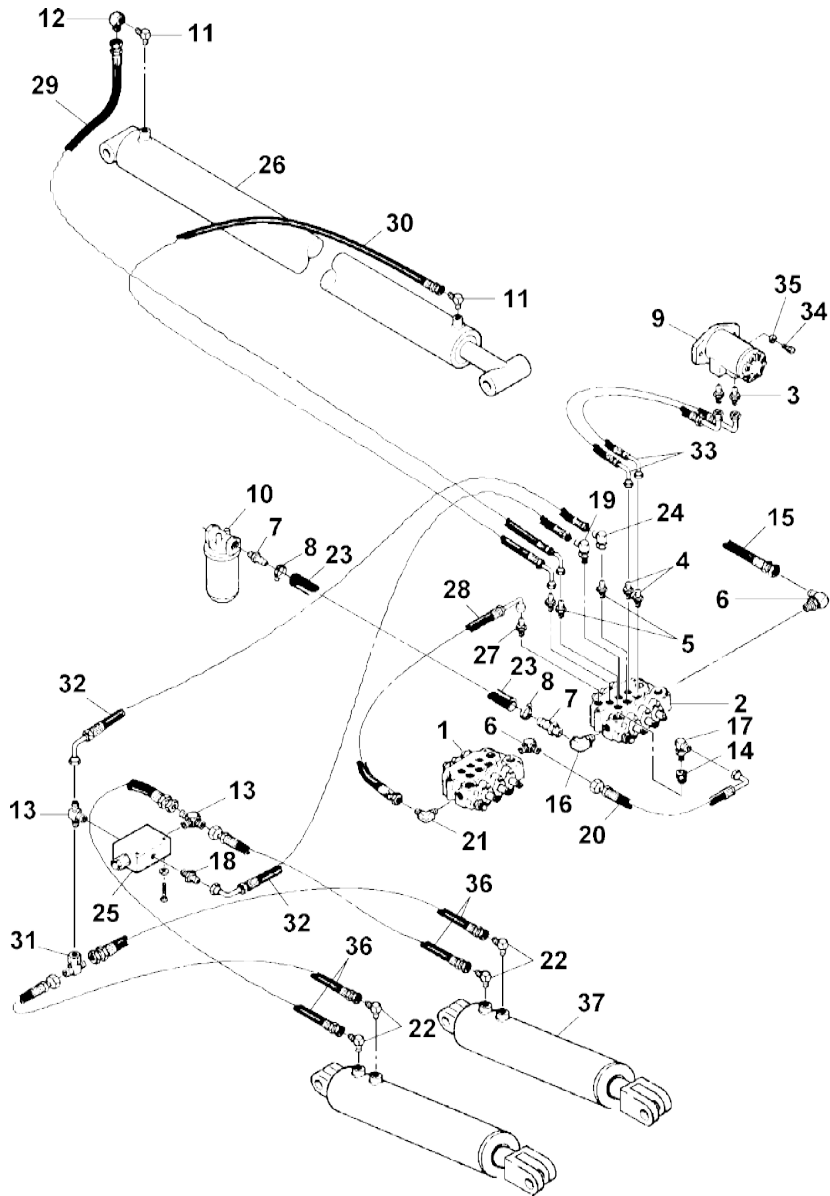
VI-10

Section VI - PARTS (cont'd)
WRECKER ASSEMBLY - 4401B

REF. NO.	NO. REQ'D	PART NUMBER	DESCRIPTION
1	4	0300110	SNAP RING, 1"
2	5	0300113	GREASE FITTING, ALEMITE
3	1	0300251	WINCH, HLC-246, LEFT REAR
4	4	0300679	BEARING PAD, NYLATRON
5	1	0301755	CYLINDER, BOOM EXTENSION
6	4	0400060	SCREW, 1/4"-20 X 1/2" HEX HD CAP
7	8	0400109	SCREW, 5/16"-18 X 1" HEX HD CAP
8	6	0400122	SCREW, 3/8"-16 X 1-1/4" HEX HD CAP
9	2	0400130	SCREW, 3/8"-16 X 3-1/2" HEX HD CAP
10	2	0400141	SCREW, 3/8"-16 X 7/8" HEX HD CAP
11	12	0400253	SCREW, 5/8"-11 X 1-3/4" HEX HD CAP
12	2	0400392	NUT, 3/8"-16 NYLOK HEX
13	12	0400421	NUT, 5/8"-11 NYLOK HEX
14	4	0400452	LOCKWASHER, 1/4" HELICAL
15	8	0400464	LOCKWASHER, 5/16" HELICAL
16	8	0400482	LOCKWASHER, 3/8" HELICAL
17	24	0400506	WASHER, 5/8" FLAT
18	1	0703082	PIN, EXTEND CYLINDER PIVOT
19	1	0703137	SHAFT, EXTEND CYLINDER, OUTER BOOM
20	1	0703965	PAD RETAINER, BOLT-ON
21	2	0709002	COVER, BOOM
22	2	0709021	PIN, BOOM PIVOT
23	1	0800941	INNER BOOM, SINGLE
24	1	0802702	OUTER BOOM WELDMENT - 4400B
25	1	0802704	WINCH BUCKET - 4401B
26	1	0900007	BOOM END SWIVEL ASSEMBLY
27	4	BK518	PIN, BOOM CYLINDER
28	4	BK519	HAIR PIN, BOOM CYLINDER PIN
29	2	IT27B	CYLINDER, BOOM ELEVATION

VI-11

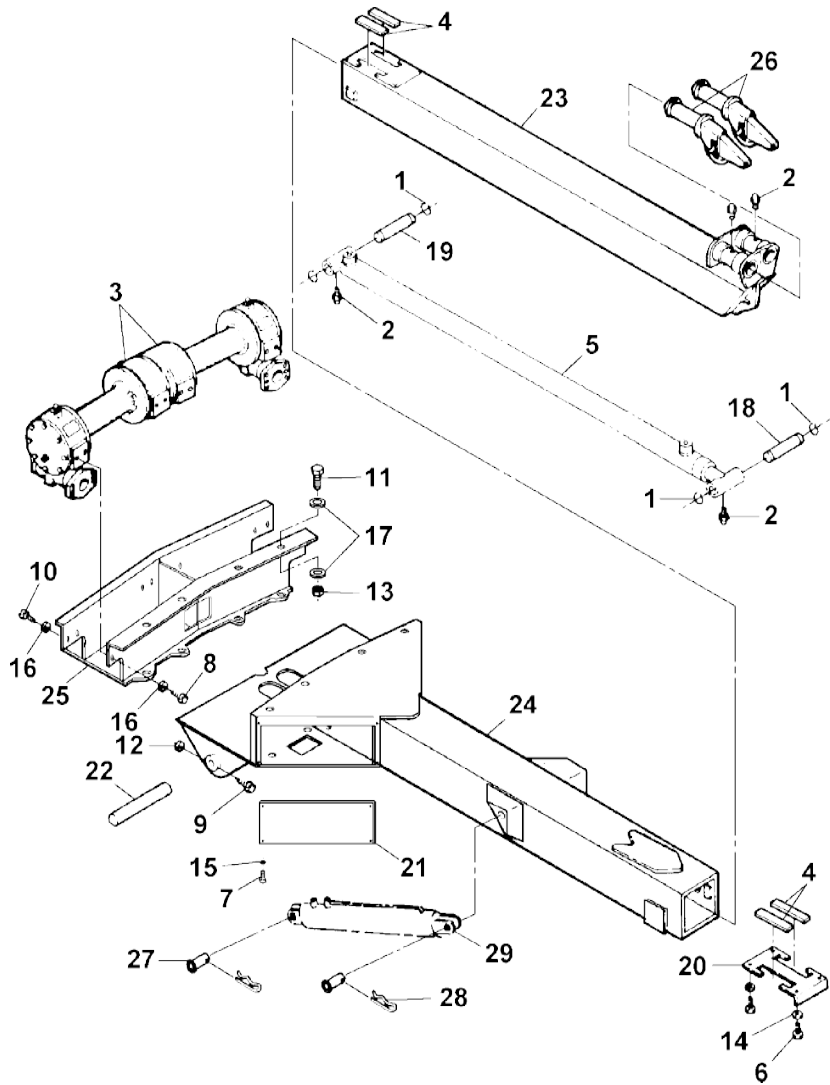
Section VI - PARTS (cont'd)
WRECKER HYDRAULICS - 4401B



Section VI - PARTS (cont'd)
WRECKER HYDRAULICS - 4401B

REF. NO.	NO. REQ'D	PART NUMBER	DESCRIPTION
1	REF.	0300010	VALVE, 3-SPOOL, CONTROL
2	1	0300010	VALVE, 3-SPOOL, CONTROL
3	2	0300040	CONNECTOR, 8MJ-8MP
4	2	0300041	CONNECTOR, 8MJ-8MB
5	3	0300044	CONNECTOR, 6MJ-8MB
6	2	0300052	ELBOW, 8MJ-10MB90
7	2	0300055	HOSEBARB, 12C4-12MP
8	2	0300071	CLAMP, HOSE 1"
9	1	0300090	MOTOR, CHAR-LYNN HYDRAULIC
10	1	0300136	FILTER ASSEMBLY, RETURN LINE
11	2	0300142	ELBOW, 6MJ-4MP90
12	1	0300147	ELBOW, STREET 4MP-4FP90
13	2	0300206	BRANCHTEE, 6MJ-6MJ-4MP
14	1	0300286	FITTING, H.P.C.O.
15	1	0300660	HOSE ASSEMBLY, 120" LONG
16	1	0301375	ELBOW, 12MB-12FP90
17	1	0301388	ELBOW, 8MJ-8MB90
18	1	0301424	MALE CONNECTOR, 6MJ-4MP
19	1	0301470	ELBOW, 6MJ-8MB90
20	1	0301471	HOSE ASSEMBLY, H.P.C.O.
21	1	0301547	ELBOW, 8MJ-12MB90
22	1	0301620	ELBOW, 6MJ-6MB90
23	4 FT.	0301674	HOSE, 3/4" RETURN
24	1	0301696	ELBOW, 6MJ-6FJX90
25	1	0301731	HOLDING VALVE, 4000 PSI
26	REF.	0301755	CYLINDER, EXTEND
27	1	0301780	CONNECTOR, 8MJ-12MB
28	1	0301790	HOSE ASSEMBLY, 15" LONG
29	1	0301964	HOSE ASSEMBLY, 65" LONG
30	1	0301965	HOSE ASSEMBLY, 131" LONG
31	1	0302573	TEE, 6MJ-6MJ-6FJX
32	2	0302634	HOSE ASSEMBLY, 20" LONG
33	2	0303014	HOSE ASSEMBLY, 80" LONG
34	2	0400177	SCREW, 1/2"-13 X 1-1/4" HEX HD CAP
35	2	0400491	LOCKWASHER, 1/2" HELICAL
36	4	GR247	HOSE ASSEMBLY, 30" LONG
37	REF.	IT27B	CYLINDER, BOOM ELEVATION

Section VI - PARTS (cont'd)
WRECKER ASSEMBLY - 4402B



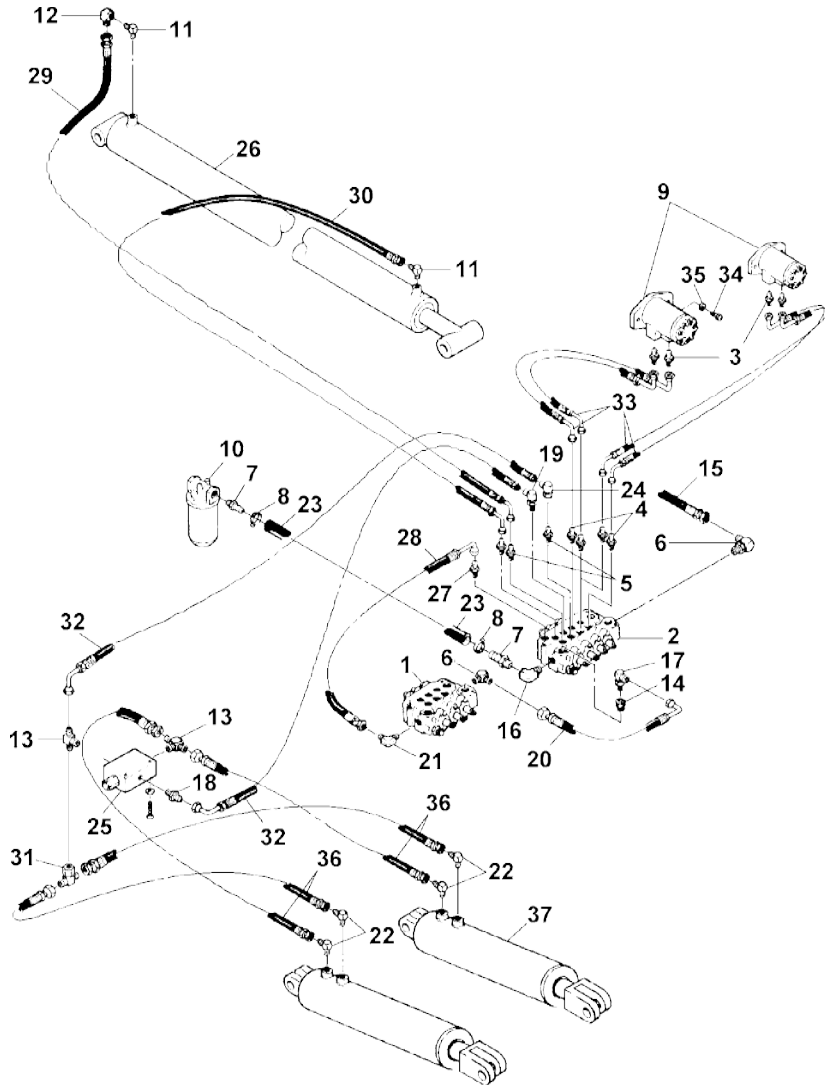
VI-14

Section VI - PARTS (cont'd)
WRECKER ASSEMBLY - 4402B

REF. NO.	NO. REQ'D	PART NUMBER	DESCRIPTION
1	4	0300110	SNAP RING, 1"
2	6	0300113	GREASE FITTING, ALEMITE
3	1	0300250	WINCH, HLC-246, RIGHT REAR
	1	0300251	WINCH, HLC-246, LEFT REAR
4	4	0300679	BEARING PAD, NYLATRON
5	1	0301755	CYLINDER, BOOM EXTENSION
6	4	0400060	SCREW, 1/4"-20 X 1/2" HEX HD CAP
7	8	0400109	SCREW, 5/16"-18 X 1" HEX HD CAP
8	12	0400122	SCREW, 3/8"-16 X 1-1/4" HEX HD CAP
9	2	0400130	SCREW, 3/8"-16 X 3-1/2" HEX HD CAP
10	4	0400141	SCREW, 3/8"-16 X 7/8" HEX HD CAP
11	12	0400253	SCREW, 5/8"-11 X 1-3/4" HEX HD CAP
12	2	0400392	NUT, 3/8"-16 NYLON HEX
13	12	0400421	NUT, 5/8"-11 NYLON HEX
14	4	0400452	LOCKWASHER, 1/4" HELICAL
15	8	0400464	LOCKWASHER, 5/16" HELICAL
16	16	0400482	LOCKWASHER, 3/8" HELICAL
17	24	0400506	WASHER, 5/8" FLAT
18	1	0703082	PIN, EXTEND CYLINDER PIVOT
19	1	0703137	SHAFT, EXTEND CYLINDER, OUTER BOOM
20	1	0703965	PAD RETAINER, BOLT-ON
21	2	0709002	COVER, BOOM
22	2	0709021	PIN, BOOM PIVOT
23	1	0800942	INNER BOOM, DUAL
24	1	0802702	OUTER BOOM WELDMENT - 4400B
25	1	0802703	WINCH BUCKET - 4402B
26	1	0900007	BOOM END SWIVEL ASSEMBLY
27	4	BK518	PIN, BOOM CYLINDER
28	4	BK519	HAIR PIN, BOOM CYLINDER PIN
29	2	IT27B	CYLINDER, BOOM ELEVATION

VI-15

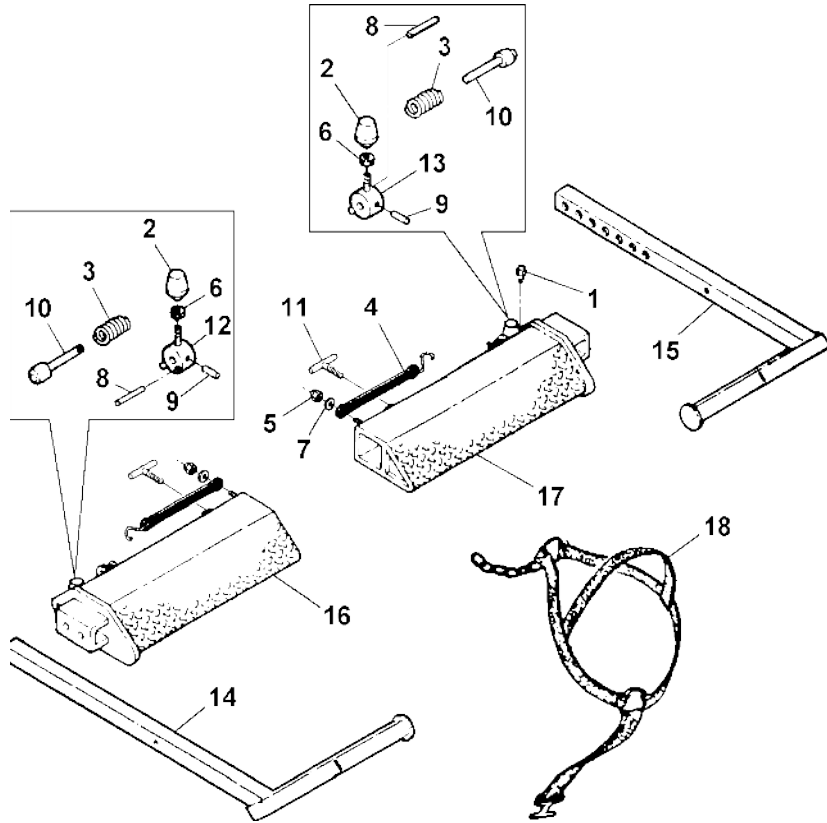
Section VI - PARTS (cont'd)
WRECKER HYDRAULICS - 4402B



Section VI - PARTS (cont'd)
WRECKER HYDRAULICS - 4402B

REF. NO.	NO. REQ'D	PART NUMBER	DESCRIPTION
1	REF.	0300010	VALVE, 3-SPOOL, CONTROL
2	1	0300011	VALVE, 4-SPOOL, CONTROL
3	4	0300040	CONNECTOR, 8MJ-8MP
4	4	0300041	CONNECTOR, 8MJ-8MB
5	3	0300044	CONNECTOR, 6MJ-8MB
6	2	0300052	ELBOW, 8MJ-10MB90
7	2	0300055	HOSEBARB, 12C4-12MP
8	2	0300071	CLAMP, HOSE 1"
9	2	0300090	MOTOR, CHAR-LYNN HYDRAULIC
10	1	0300136	FILTER ASSEMBLY, RETURN LINE
11	2	0300142	ELBOW, 6MJ-4MP90
12	1	0300147	ELBOW, STREET 4MP-4FP90
13	2	0300206	BRANCHTEE, 6MJ-6MJ-4MP
14	1	0300286	FITTING, H.P.C.O.
15	1	0300660	HOSE ASSEMBLY, 120" LONG
16	1	0301375	ELBOW, 12MB-12FP90
17	1	0301388	ELBOW, 8MJ-8MB90
18	1	0301424	MALE CONNECTOR, 6MJ-4MP
19	1	0301470	ELBOW, 6MJ-8MB90
20	1	0301471	HOSE ASSEMBLY, H.P.C.O.
21	1	0301547	ELBOW, 8MJ-12MB90
22	4	0301620	ELBOW, 6MJ-6MB90
23	4 FT.	0301674	HOSE, 3/4" RETURN
24	1	0301696	ELBOW, 6MJ-6FJX90
25	1	0301731	HOLDING VALVE, 4000 PSI
26	REF.	0301755	CYLINDER, EXTEND
27	1	0301780	CONNECTOR, 8MJ-12MB
28	1	0301790	HOSE ASSEMBLY, 15" LONG
29	1	0301964	HOSE ASSEMBLY, 65" LONG
30	1	0301965	HOSE ASSEMBLY, 131" LONG
31	1	0302573	TEE, 6MJ-6MJ-6FJX
32	2	0302634	HOSE ASSEMBLY, 20" LONG
33	4	0303014	HOSE ASSEMBLY, 80" LONG
34	4	0400177	SCREW, 1/2"-13 X 1-1/4" HEX HD CAP
35	4	0400491	LOCKWASHER, 1/2" HELICAL
36	4	GR247	HOSE ASSEMBLY, 30" LONG
37	REF.	IT27B	CYLINDER, BOOM ELEVATION

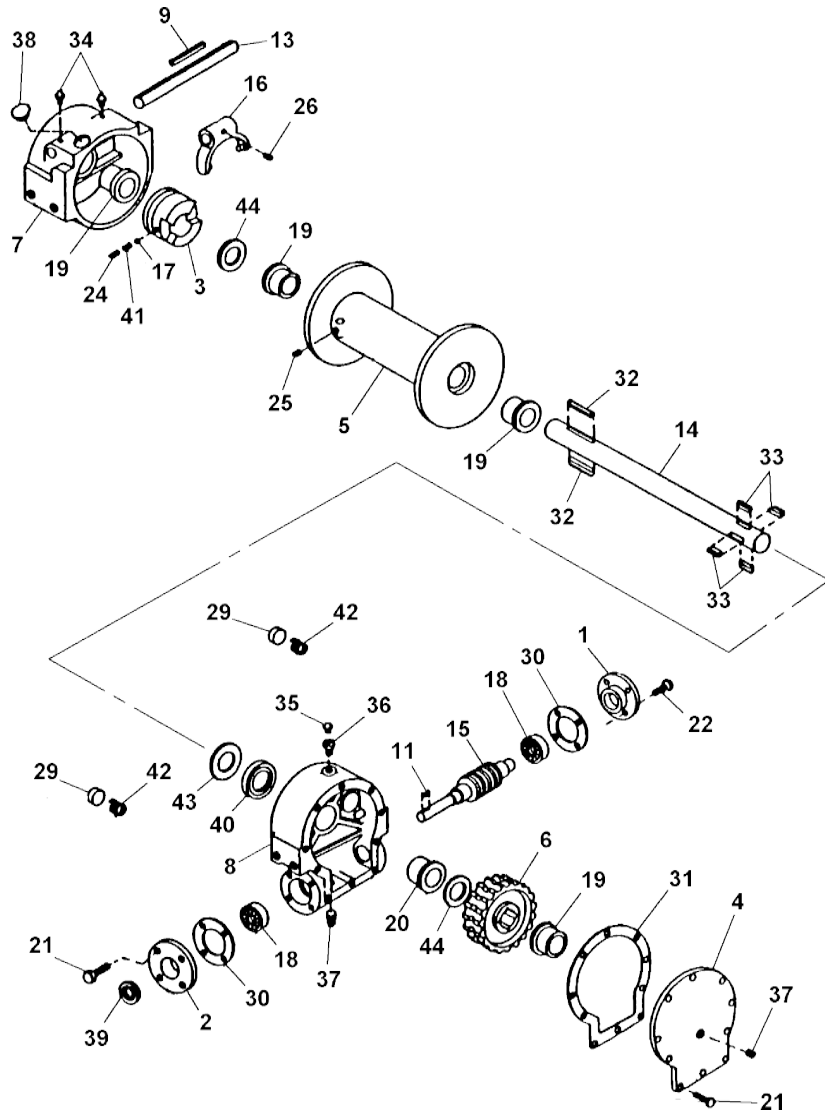
Section VI - PARTS (cont'd)
OUTER CROSSTUBE &
TIRE RESTRAINT ASSEMBLY



Section VI - PARTS (cont'd)
OUTER CROSSTUBE &
TIRE RESTRAINT ASSEMBLY

REF. NO.	NO. REQ'D	PART NUMBER	DESCRIPTION
--	1	0902456	CROSSTUBE, LEFT OUTER, W/ BASKET STRAP HOOKS (COMPLETE)
--	1	0902457	CROSSTUBE, RIGHT OUTER, W/ BASKET STRAP HOOKS (COMPLETE)
1	2	0300113	GREASE FITTING, ALEMITE
2	2	0300341	KNOB
3	2	0301417	SPRING, PLUNGER PIN
4	2	0301956	STRAP, 9" RUBBER
5	2	0400367	NUT, 1/4"-20 NYLOK HEX
6	2	0400393	NUT, 3/8"-16 JAM HEX
7	2	0400451	WASHER, 1/4" FLAT
8	2	0400559	PIN, 3/16" X 1" ROLL
9	2	0400560	PIN, 5/32" X 1" ROLL
10	2	0706688	PIN, PLUNGER
11	2	0800590	HANDLE, TEE
12	1	0802069	HANDLE, LEFT PLUNGER
13	1	0802070	HANDLE, RIGHT PLUNGER
14	1	0802356	TIRE RESTRAINT, LEFT, W/ BASKET STRAP SLOT
15	1	0802357	TIRE RESTRAINT, RIGHT, W/ BASKET STRAP SLOT
16	1	0802359	CROSSTUBE, LEFT OUTER
17	1	0802360	CROSSTUBE, RIGHT OUTER
18	2	0902382	1" NYLON POLY COAT STRAP

Section VI - PARTS (cont'd) HYDRAULIC WINCH



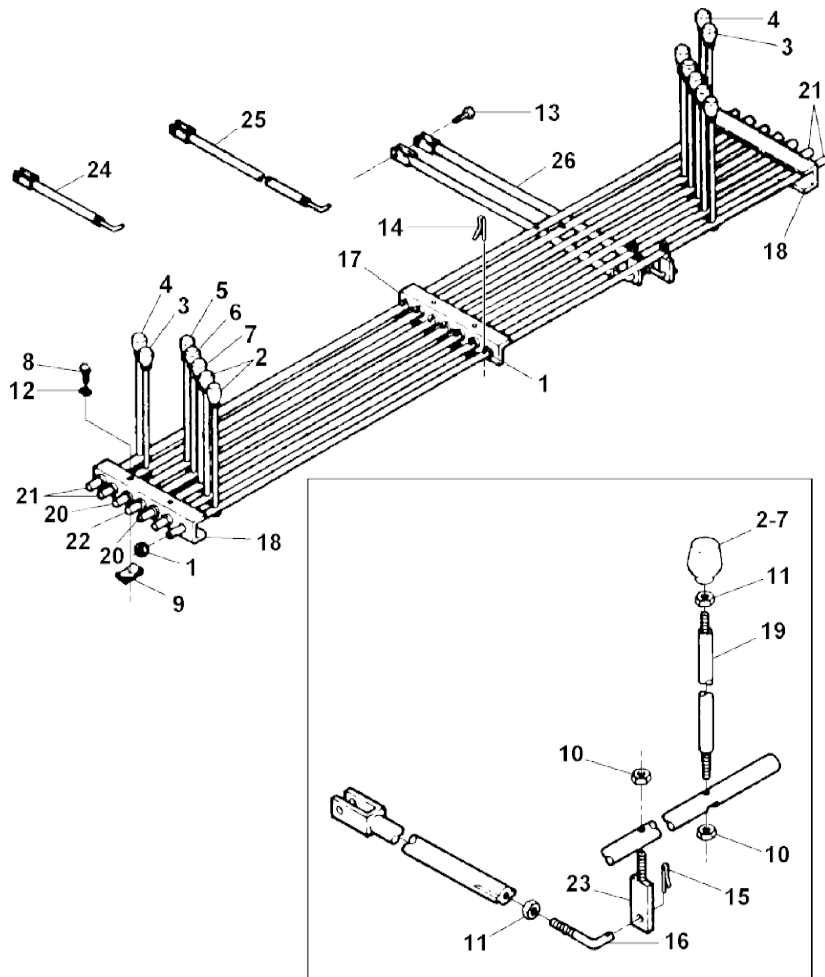
VI-20

Section VI - PARTS (cont'd) HYDRAULIC WINCH

REF. NO.	NO. REQ'D	PART NUMBER	DESCRIPTION
1	1	316083	BEARING CAP
2	1	316084	BEARING CAP
3	1	324161	JAW CLUTCH
4	1	328134	COVER
5	1	332007	DRUM "Y"
6	1	334164	GEAR L.H. 46:1
7	1	338003	HOUSING, CLUTCH
8	1	338273	HOUSING, GEAR
9	1	342018	KEY
10	1	342024	KEY
11	1	342027	KEY
12	1	344008	LEVER, SHIFTER
13	1	356902	SHAFT, SHIFTER
14	1	357480	SHAFT, DRUM "Y"
15	1	368009	WORM L.H. 46:1
16	1	370001	YOKE
17	1	400001	BALL, POPPET
18	2	402002	BEARING, BALL
19	4	412003	BUSHING
20	1	412045	BUSHING
21	10	414038	SCREW, 1/4-20 X 3/4" HEX HD CAP
22	8	414045	SCREW, 1/4-20 X 7/8" HEX HD CAP
23	4	414282	SCREW, 3/8-16 X 3/4" HEX HD CAP
24	1	416040	SCREW, 1/4-20 X 1-1/4" SKT HD LESS SET
25	1	416059	SCREW, 3/8-16 X 3/8" SOC HD LESS SET
26	1	416084	SCREW, 1/4-20 X 1/2" SQ HD SET
27	1	416109	SCREW, 5/16-18 X 1/2" SQ HD SET
28	4	418177	LOCKWASHER, 3/8 MED SECT
29	2	438014	DRAG BRAKE
30	2	442184	GASKET
31	1	442205	GASKET
32	2	450006	KEY, BARTH
33	4	450016	KEY, BARTH
34	2	456006	FITTING, LUBE
35	1	456008	FITTING, RELIEF
36	1	468002	REDUCER
37	2	468011	PIPE PLUG
38	1	482013	PLASTIC PLUG
39	1	486009	OIL SEAL
40	4	486017	OIL SEAL
41	1	494001	SPRING, POPPET
42	2	494002	SPRING
43	1	518014	THRUST WASHER
44	2	518015	THRUST WASHER

VI-21

Section VI - PARTS (cont'd)
CONTROL & CROSSROD ASSEMBLY



VI-22

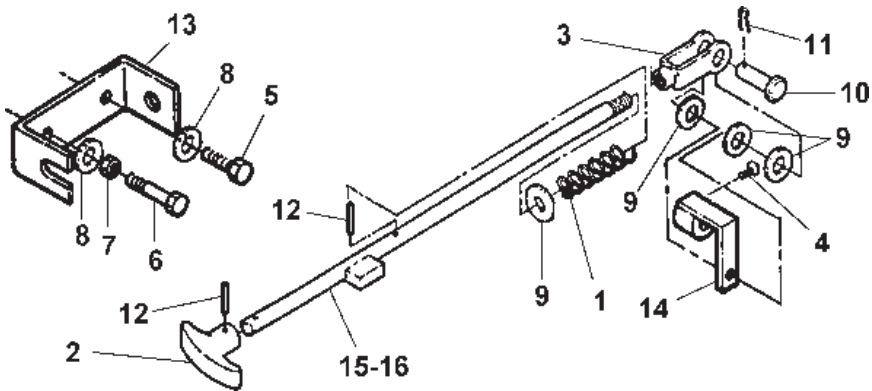
Section VI - PARTS (cont'd)
CONTROL & CROSSROD ASSEMBLY

REF. NO.	NO. REQ'D	PART NUMBER	DESCRIPTION
1	21	0300122	GROMMET, SPLIT PLASTIC
2	4	0300834	KNOB, CABLE "IN-OUT" (RED)
3	2	0300835	KNOB, WRECKER BOOM "UP-DN" (BLACK)
4	2	0300837	KNOB, WRECKER BOOM "IN-OUT" (BLACK)
5	2	0302856	KNOB W/L "TILT" (GRAY)
6	2	0302917	KNOB, W/L "IN-OUT" (GRAY)
7	2	0302967	KNOB, W/L "UP-DN" (GRAY)
8	6	0400066	SCREW, 1/4"-20 X 3/4" HEX HD CAP
9	6	0400370	CLIP, 1/4" TINNEMAN
10	21	0400390	NUT, 3/8"-16 HEX JAM ESLOK
11	21	0400393	NUT, 3/8"-16 HEX JAM
12	6	0400452	LOCKWASHER, 1/4" HELICAL
13	7	0400527	CLEVIS PIN, 5/16" X 5/8" COTTERLESS
14	14	0400542	COTTER PIN, 3/16" X 1-1/4"
15	7	0400543	COTTER PIN, 1/8" X 3/4"
16	5	0701099	EXTENSION, CONTROL ROD LONG
17	2	0701927	EXTENSION, CONTROL ROD SHORT
18	1	0703501	ANGLE, CROSSROD BEARING
19	2	0704528	CROSSROD - W/L
20	4	0704529	CROSSROD - WRECKER
21	1	0704530	CROSSROD - TILT
22	2	0704517	CHANNEL, CROSS ROD BEARING
23	14	0704527	LEVER, CONTROL
24	7	0800604	ARM, CROSS CONTROL
25	3	0801309	CONTROL ROD, SHORT
26	2	0801310	CONTROL ROD, MEDIUM
27	2	0801311	CONTROL ROD, LONG

VI-23

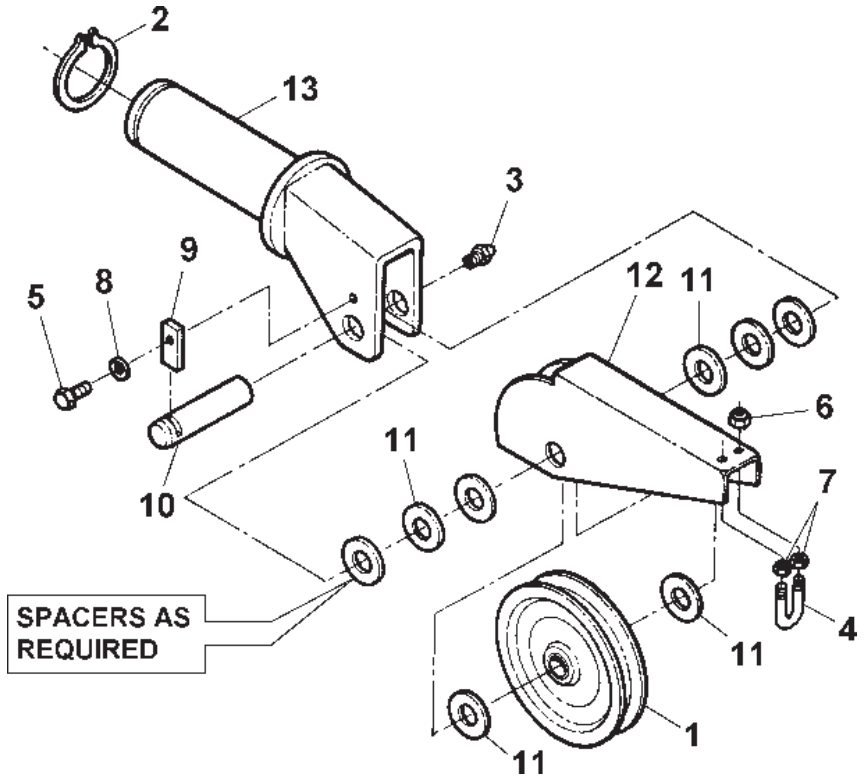
Section VI - PARTS (cont'd)

WINCH CLUTCH CONTROL



REF. NO.	NO. REQ'D	PART NUMBER	DESCRIPTION
1	1	0300845	SPRING, COMPRESSION
2	1	0301532	"T" HANDLE
3	1	0301588	ADJUSTING YOKE
4	1	0400116	SCREW, 5/16"-18 X 1/2" SQ HD SET
5	1	0400126	SCREW, 3/8"-16 X 1" HEX HD CAP
6	1	0400150	SCREW, 3/8"-16 X 2-1/2" HEX HD CAP
7	1	0400393	NUT, 3/8"-16 JAM
8	2	0400482	WASHER, 3/8" LOCK
9	4	0400492	WASHER, 1/2" FLAT
10	1	0400537	PIN, 1/2" X 1-1/2" CLEVIS
11	1	0400546	PIN, 1/8" X 1-1/4" COTTER
12	2	0400560	PIN, 5/32" X 1" ROLL
13	1	0702408	MOUNTING CHANNEL
14	1	0800779	WELDMENT, BELL CRANK
15	1	0800780	CONTROL ROD, SINGLE WINCH
16	1	0800781	CONTROL ROD, DUAL WINCH

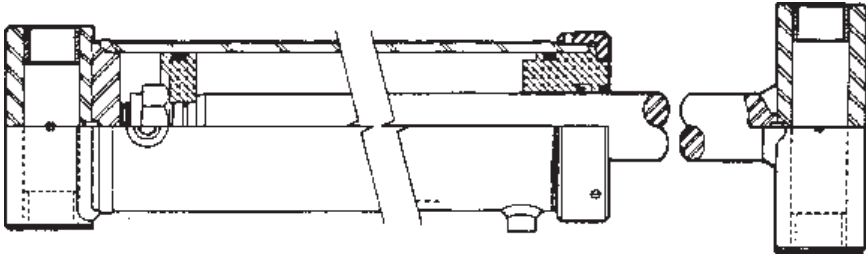
Section VI - PARTS (cont'd) BOOM END SEWIVEL



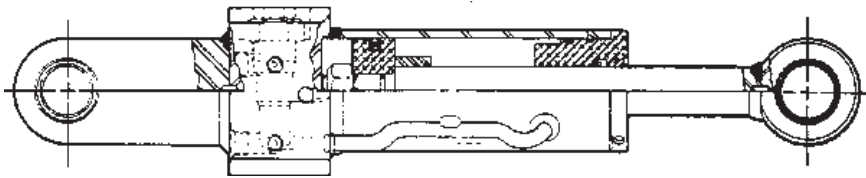
REF. NO.	NO. REQ'D	PART NUMBER	DESCRIPTION
1	1	0300022	6" SHEAVES
2	1	0300108	NAP RING, 2-1/2" DIA EXT
3	1	0300113	GREASE FITTING
4	1	0301531	"U" BOLT, 3/8"
5	1	0400060	SCREW, 1/4"-20 X 1/2" HEX HD CAP
6	2	0400392	NUT, 3/8"-16 HEX NYLOK
7	2	0400393	NUT, 3/8"-16 HEX JAM
8	1	0400452	LOCKWASHER, 1/4" HELICAL
9	1	0700032	RETAINER, SHEAVE SHAFT
10	1	0700056	SHAFT, SHEAVE
11	--	0700166	WASHER-SPACER
12	1	0702285	CABLE GUIDE
13	1	0800003	BOOM END SWIVEL

Section VI - PARTS (cont'd)

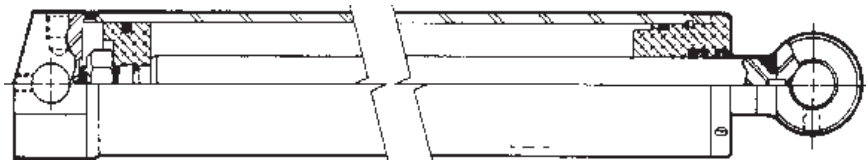
HYDRAULIC CYLINDERS - WHEEL LIFT



REF. NO.	NO. REQ'D	PART NUMBER	DESCRIPTION
1	1	0302341	HYDRAULIC CYLINDER, LIFT (COMPLETE)
2	1	0304498	SEAL KIT, LIFT CYLINDER



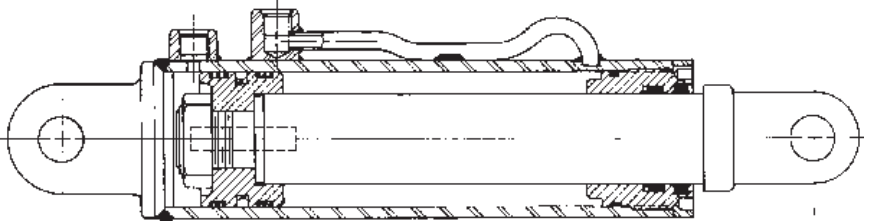
REF. NO.	NO. REQ'D	PART NUMBER	DESCRIPTION
1	1	0302904	HYDRAULIC CYL., TILT (COMPLETE) L.H.
2	1	0302905	HYDRAULIC CYL., TILT (COMPLETE) R.H.
3	2	0304498	SEAL KIT, TILT CYLINDER



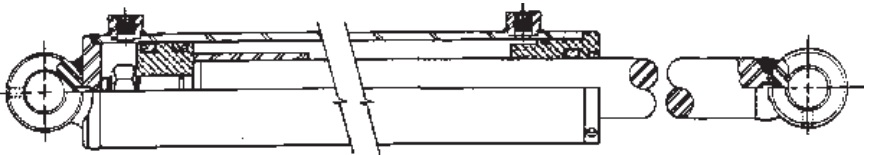
REF. NO.	NO. REQ'D	PART NUMBER	DESCRIPTION
1	1	0301825	HYDRAULIC CYL., EXTEND (COMPLETE)
2	1	0304086	SEAL KIT, EXTEND CYLINDER

Section VI - PARTS (cont'd)

HYDRAULIC CYLINDERS - WHEEL LIFT



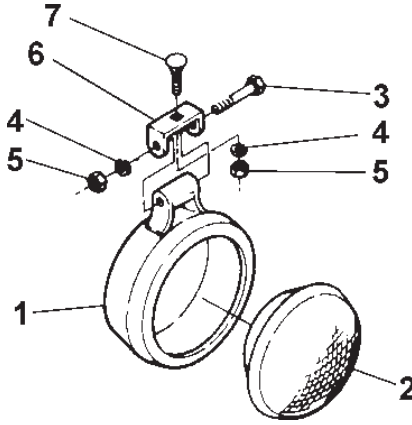
REF. NO.	NO. REQ'D	PART NUMBER	DESCRIPTION
1	1	IT27B	HYDRAULIC CYLINDER, LIFT (COMPLETE)
2	1	IT97	SEAL KIT, LIFT CYLINDER



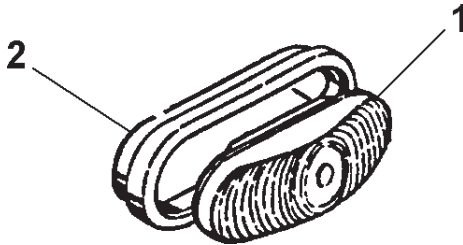
REF. NO.	NO. REQ'D	PART NUMBER	DESCRIPTION
1	1	0301755	HYDRAULIC CYL., EXTEND (COMPLETE)
2	1	0300624	SEAL KIT, EXTEND CYLINDER

Section VI - PARTS (cont'd)

LIGHT KIT



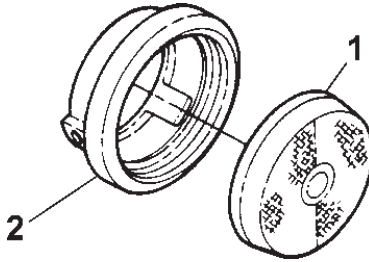
REF. NO.	NO. REQ'D	PART NUMBER	DESCRIPTION
1	1	0304147	HOUSING
2	1	0304152	BULB
3	1	0304151	PIVOT SCREW
4	2	0304150	LOCKWASHER
5	2	0304153	NUT
6	1	0304148	MOUNTING BRACKET
7	1	0304149	MOUNTING SCREW
--	1	0301505	LIGHT, BACKUP (COMPLETE)



REF. NO.	NO. REQ'D	PART NUMBER	DESCRIPTION
1	2	0303123	LIGHT, SEALED RED, STOP & TURN
2	2	0303124	LIGHT, SEALED WHITE, BACKUP
3	4	0303128	TAIL LIGHT GROMMET & PLUG KIT

Section VI - PARTS (cont'd)

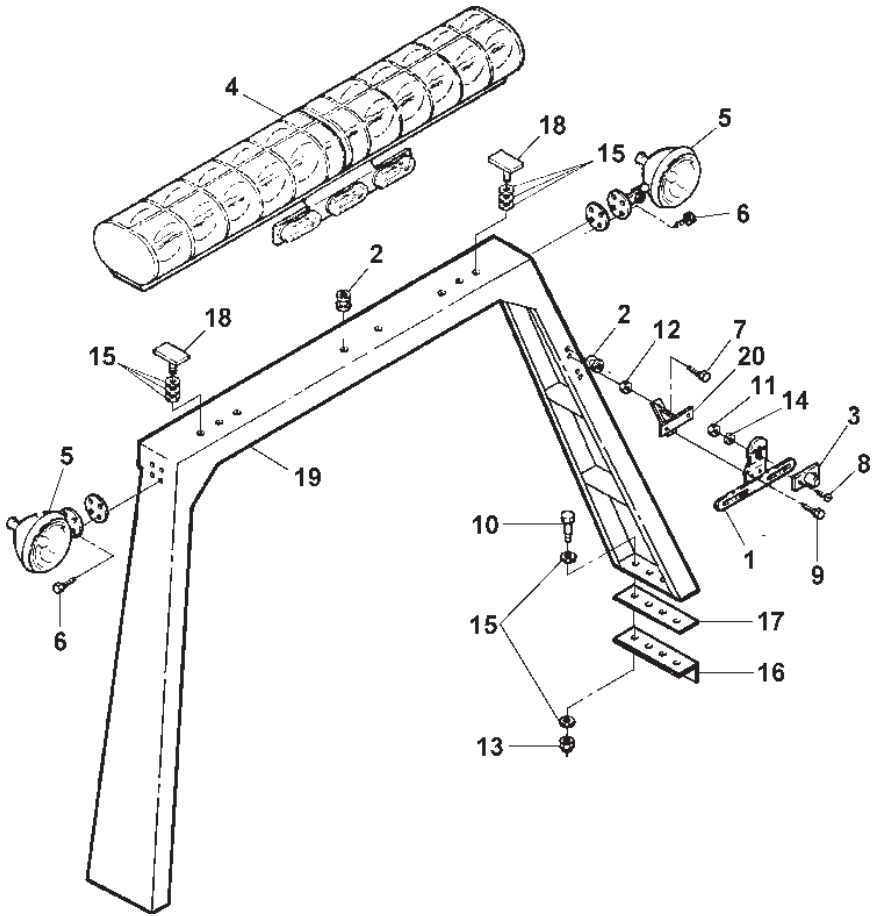
LIGHT KIT (cont'd)



REF. NO.	NO. REQ'D	PART NUMBER	DESCRIPTION
1	4	0303125	LIGHT, SEALED MARKER, RED
	2	0303126	LIGHT, SEALED MARKER, AMBER
2	6	0303127	GROMMET MOUNTING KIT W/PLUG

Section VI - PARTS (cont'd)

LIGHTING ASSESSORIES



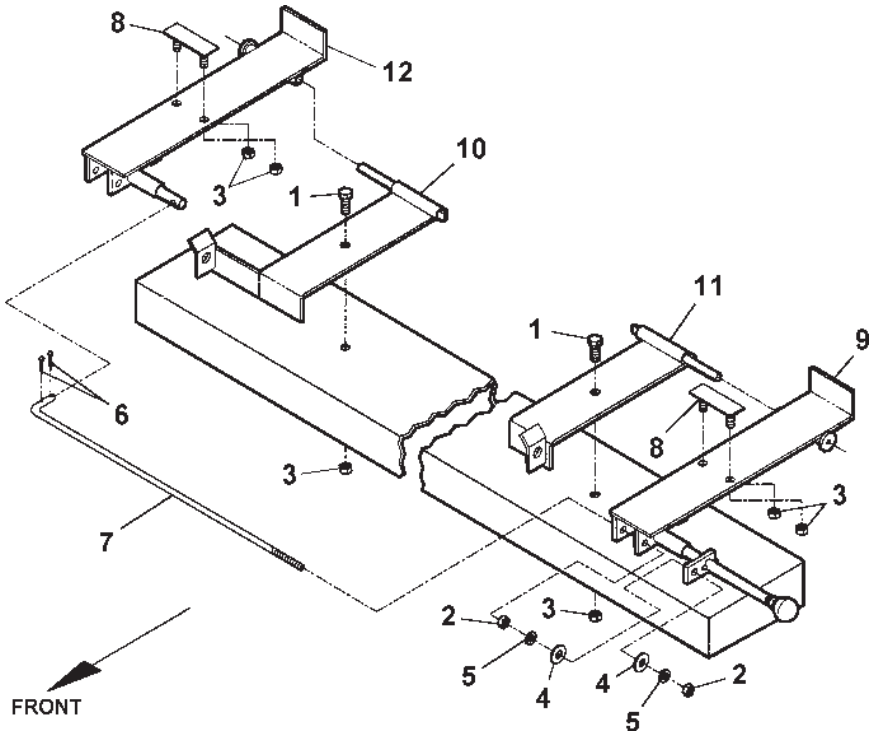
Section VI - PARTS (cont'd)

LIGHTING ASSESSORIES

REF. NO.	NO. REQ'D	PART NUMBER	DESCRIPTION
1	1	0300076	LICENSE PLATE HOLDER
2	2	0300117	RUBBER GROMMET
3	1	0300273	LICENSE PLATE ILLUMINATOR
4	1	0301359	WRECKER SPECIAL LIGHT
5	2	0302158	SPOTLIGHT W/GASKET
6	8	0400039	SCREW, #10-32 X 3/4" SELF-TAPPING
7	2	0400057	SCREW, 1/4"-20 X 1-1/2" HEX HD CAP
8	2	0400061	SCREW, 1/4"-20 X 3/4" PAN HD
9	2	0400062	SCREW, 1/4"-20 X 3/4" THD CUT HEX HD
10	8	0400132	SCREW, 3/8"-16 X 1-1/2" HEX HD CAP
11	2	0400366	NUT, 1/4"-20 HEX PLAIN
12	2	0400367	NUT, 1/4"-20 NYLOK HEX
13	8	0400392	NUT, 3/8"-16 HEX HD NYLOK
14	2	0400452	LOCKWASHER, 1/4"
15	22	0400480	WASHER, 3/8" FLAT
16	2	0710028	ANGLE, PYLON BASE REINFORCING
17	2	0710032	GASKET, PYLON BASE - 33" PYLON
	--	0710033	GASKET, PYLON BASE - 36" PYLON
	--	0710034	GASKET, PYLON BASE - 40" PYLON
	--	0710035	GASKET, PYLON BASE - 42" PYLON
	--	0710036	GASKET, PYLON BASE - 45" PYLON
18	2	0801777	"T" BOLT ADAPTER
19	1	0802834	LIGHT MOUNTING PYLON - 33"
	--	0802835	LIGHT MOUNTING PYLON - 36"
	--	0802836	LIGHT MOUNTING PYLON - 40"
	--	0802837	LIGHT MOUNTING PYLON - 42"
	--	0802838	LIGHT MOUNTING PYLON - 45"
20	1	0802885	BRACKET, LICENSE PLATE MOUNTING

Section VI - PARTS (cont'd)

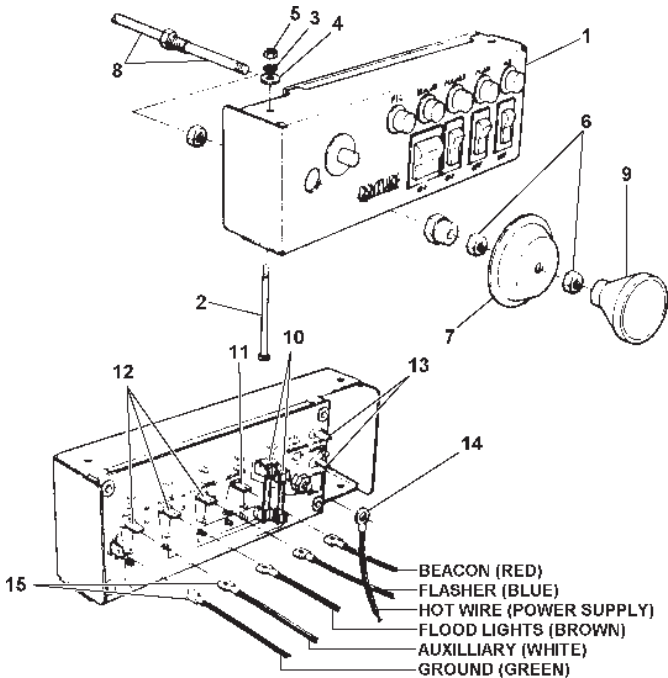
FOLD DOWN LIGHT BAR BRACKET



REF. NO.	NO. REQ'D	PART NUMBER	DESCRIPTION
1	2	0400126	SCREW, 3/8"-16 X 1" HEX HD CAP
2	2	0400381	NUT, 5/16"-18 HEX
3	6	0400392	NUT, 3/8"-16 HEX NYLOK
4	2	0400463	WASHER, 5/16" FLAT
5	2	0400464	LOCKWASHER, 5/16" HELICAL
6	2	0400543	COTTER PIN, 1/8" X 3/4"
7	1	0703886	ROD, CONNECTING
8	2	0801120	TEE BOLT - FOLD DOWN LIGHT BRACKET
9	1	0903130	L.H. TOP HINGE ASSEMBLY
10	1	0903131	R.H. BOTTOM HINGE ASSEMBLY
11	1	0903132	L.H. BOTTOM HINGE ASSEMBLY
12	1	0903133	R.H. TOP HINGE ASSEMBLY

Section VI - PARTS (cont'd)

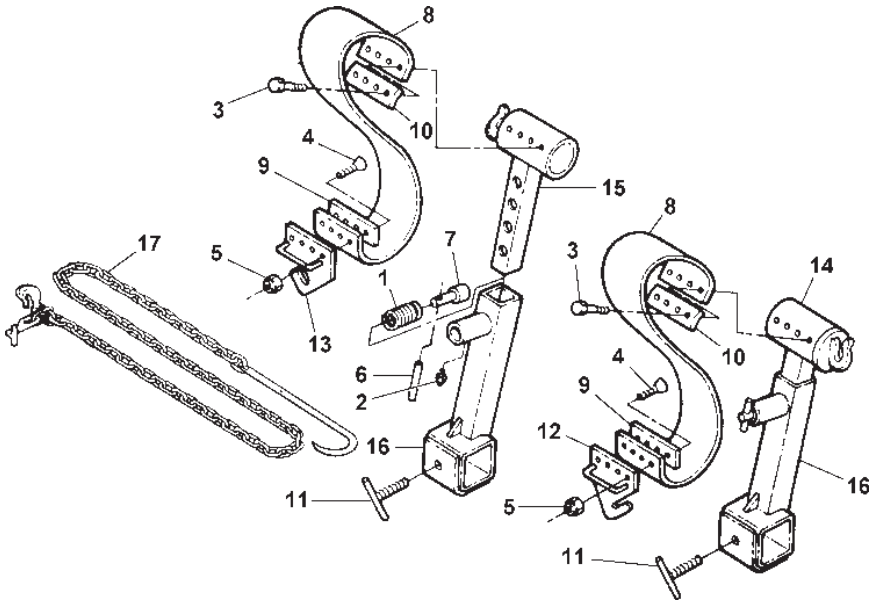
OPTIONAL PTO PANEL



REF. NO.	NO. REQ'D	PART NUMBER	DESCRIPTION
1	1	0304155	SWITCH PANEL HOUSING
2	2	0304156	SCREW, #10-32 X 3-3/8", MTG
3	2	0304157	LOCKWASHER, #10 EXT TOOOTH
4	2	0304158	WASHER, #10 FLAT
5	2	0304166	NUT, #10-32
6	2	0304160	JAM NUT
7	1	0304161	ACTUATOR DISK
8	1	--	PTO CABLE, 14 FT (*SPECIFY MAKE & MODEL OF TRUCK)
9	1	0304163	PTO KNOB
10	2	0304418	FUSE, 30 AMP
11	1	0304434	SWITCH, LARGE ROCKER
12	3	0304433	SWITCH, SMALL ROCKER
13	1	0304164	PTO LIGHT SWITCH
14	1	0301503	RING CONNECTOR
15	5	0304165	SPADE CONNECTOR

Section VI - PARTS (cont'd)

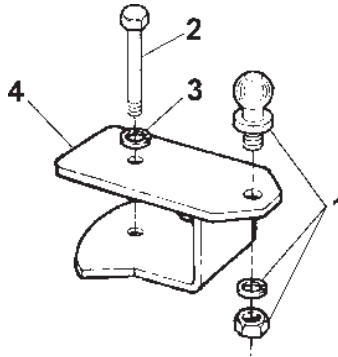
TOW SLING ADAPTERS



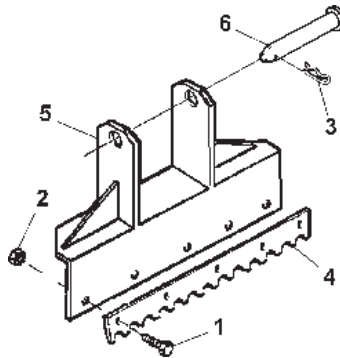
REF. NO.	NO. REQ'D	PART NUMBER	DESCRIPTION
1	2	0300004	SPRING, PLUNGER
2	2	0300113	GREASE FITTING
3	8	0400105	SCREW, 5/16"-18 X 1-1/4" SELF-TAPPING
4	8	0400156	SCREW, 3/8"-16 X 1-1/4" RD HD CARRIAGE
5	8	0400392	NUT, 3/8"-16 HEX NYLOK
6	2	0400568	ROLL PIN
7	2	0700154	PIN, PLUNGER
8	2	0701919	TOW SLING BELT
9	2	0701920	GRIP PLATE
10	2	0701921	BELT RETAINER
11	2	0800590	TEE HANDLE
12	1	0800608	CHAIN KEEPER, LEFT
13	1	0800609	CHAIN KEEPER, RIGHT
14	1	0800692	INNER ADJUSTMENT TUBE, LEFT
15	1	0800693	INNER ADJUSTMENT TUBE, RIGHT
16	2	0800823	MOUNTING BRACKET
17	2	0900176	"J" HOOK ASSEMBLY

Section VI - PARTS (cont'd)

WHEEL LIFT ATTACHMENTS



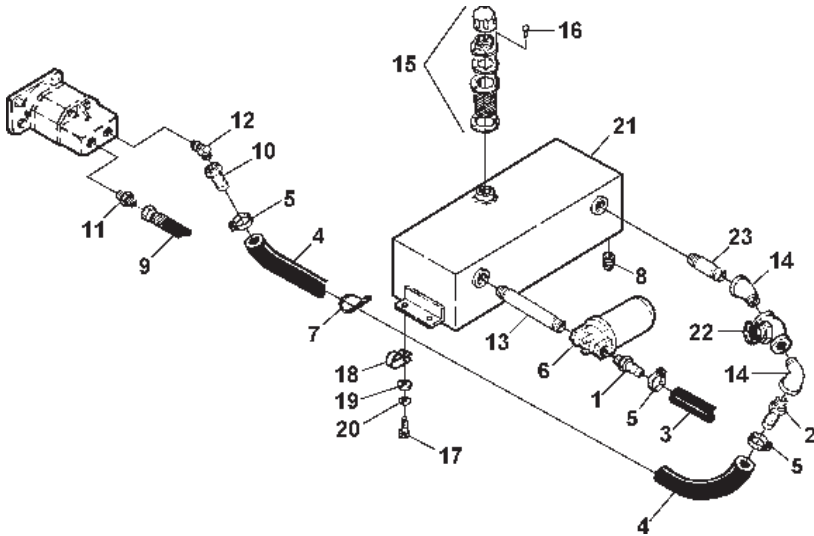
REF. NO.	NO. REQ'D	PART NUMBER	DESCRIPTION
1	1	0300091	BALL, TRAILER, 2" CHROME
2	1	0400294	SCREW, 3/4"-10 X 5-1/2" HEX HD CAP
3	1	0400511	LOCKWASHER, 3/4" HELICAL
4	1	0801091	TOWBALL BRACKET



REF. NO.	NO. REQ'D	PART NUMBER	DESCRIPTION
1	5	0400181	SCREW, 1/2"-13 X 1-1/2" HEX HD CAP
2	5	0400408	NUT 1/2"-13 NYLOK
3	1	0400585	HAIR PIN COTTER
4	1	0703459	OUTRIGGER BLADE
5	1	0801272	SPADE ATTACHMENT
6	1	0801273	SPADE PIN

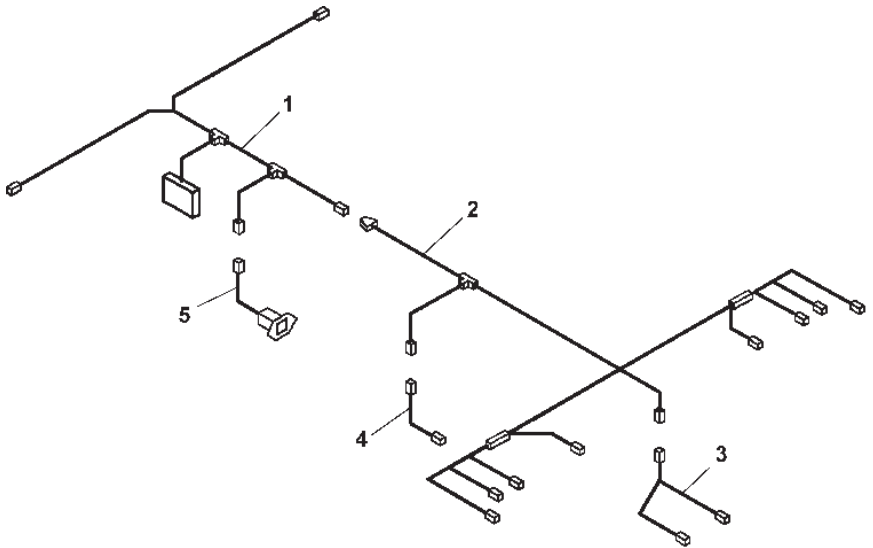
Section VI - PARTS (cont'd)

PUMP & RESERVOIR HYDRAULICS



REF. NO.	NO. REQ'D	PART NUMBER	DESCRIPTION
1	1	0300055	HOSEBARB, 12C4-12MP
2	1	0300056	BARB, 16C4-16MP
3	4 FT.	0301674	HOSE, 3/4" RETURN
4	9 FT.	0300058	HOSE, 1" SUCTION
5	4	0300071	CLAMP, HOSE 1"
6	1	0300136	RETURN LINE FILTER ASSEMBLY
7	1	0300188	CLAMP, HOSE 1-1/2" INSULATED
8	1	0300446	PIPE PLUG, 3/4" MALE
9	1	0300660	HOSE ASSEMBLY, 120"
10	1	0301767	HOSEBARB, 1" FJIX X 1"
11	1	0302757	HYD CONN, 8MJ-16MB
12	1	0302761	HYD CONN, 16MJ-16MB45
13	1	0302990	PIPE NIPPLE, 3/4" X 12"
14	2	0303099	ELBOW, 45° STREET, 1"
15	1	0305006	FILLER CAP ASSEMBLY
16	6	0400045	SCREW, #10-32 X 1/2" THD CUT PHILLIPS HD
17	4	0400132	SCREW, 3/8"-16 X 1-1/2" HEX HD CAP
18	4	0400243	CLIP, 3/8", "J" TYPE TINNEMAN
19	4	0400480	FLATWASHER, 3/8"
20	4	0400481	LOCKWASHER, 3/8" EXT TOOTH
21	1	0802585	RESERVOIR WELDMENT
22	1	HC1338	GATE VALVE, 1" BRASS
23	1	IT74	PIPE NIPPLE, 1" X 6"

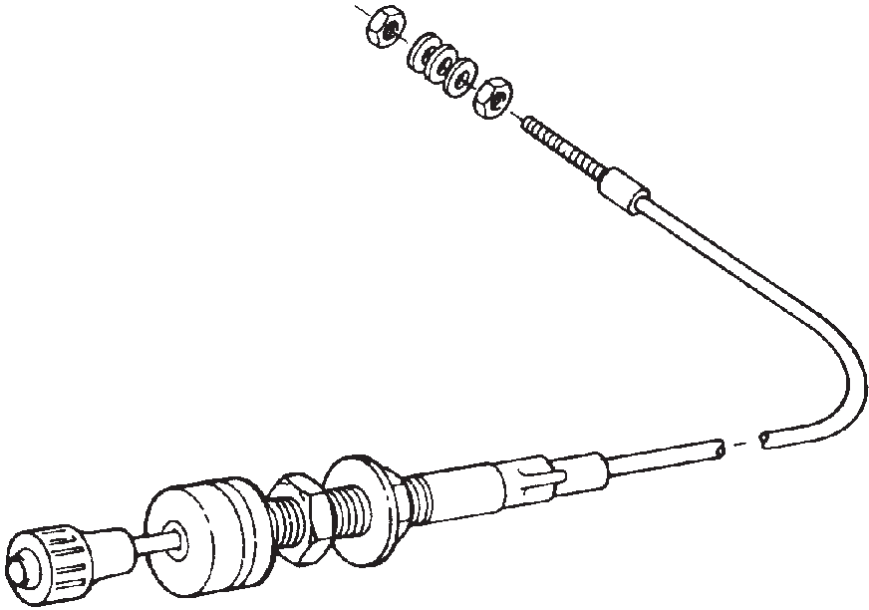
Section VI - PARTS (cont'd) WIRING KIT



REF. NO.	NO. REQ'D	PART NUMBER	DESCRIPTION
1	1	0303110	FRONT HARNESS & JUNCTION BOX
2	1	0303111	REAR HARNESS - FI/4400/552
3	1	0303112	WORK LIGHT HARNESS
4	1	0303153	BACK UP ALARM HARNESS
5	1	0301671	4 POLE SOCKET & HARNESS

Section VI - PARTS (cont'd)

THROTTLE CONTROL



REF. NO.	NO. REQ'D	PART NUMBER	DESCRIPTION
1	1	0300683	THROTTLE CONTROL, 16' - 60 C.A.
2	1	0300684	THROTTLE CONTROL, 18' - 84 C.A.
3	1	0900377	KIT, THROTTLE, FORD & CHEVY



Miller Industries Towing Equipment Inc.

8503 Hilltop Drive • Ooltewah, Tennessee 37363 • (423) 238-4171

www.millerind.com