



OWNER'S MANUAL

440 GEN2

PARTS

NOTE: MANUAL including SPECIFICATIONS, subject to change without notice.
All ratings specified are based on structural factors only,
not vehicle capacities or capabilities.



Miller Industries Towing Equipment Inc.
8503 Hilltop Drive
Ooltewah, Tennessee 37363
Phone (423) 238-4171 • FAX (423) 238-5371

FORM NO. 0501845
05 / 2015

LIMITED WARRANTY

MILLER INDUSTRIES TOWING EQUIPMENT INC., hereinafter referred to as MILLER, warrants to the original purchaser that each new MILLER wrecker or other MILLER products will be free from defects in material and workmanship for a period of twelve (12) months from date placed in service, but in no event shall such warranty period exceed twenty-four (24) months from date of manufacture by MILLER. The purchaser must promptly notify MILLER in writing of any failure in material or workmanship. In no event shall MILLER accept such notification later than twenty-four (24) months from date of delivery or twelve (12) months from date placed in service, whichever is earlier.

MILLER's obligation under this warranty, statutory or otherwise, is limited to the repair or replacement at the MILLER factory, or at a point designated by MILLER, of such part or parts as shall appear upon inspection by MILLER to be defective in material or workmanship. New or remanufactured parts will be used for any replacement at MILLER's option. This warranty is not transferable. This warranty does not obligate MILLER to bear the cost of labor or transportation charges in connection with the repair or replacement of any parts found to be defective, nor shall it apply to a product upon which repairs or alterations have been made unless authorized by MILLER.

EXCEPT AS EXPRESSLY SET FORTH IN THIS WARRANTY, MILLER MAKES NO OTHER WARRANTY, EXPRESS OR IMPLIED, AND HEREBY DISCLAIMS ALL OTHER WARRANTIES INCLUDING, BUT NOT LIMITED TO, THE IMPLIED WARRANTIES OF MERCHANTABILITY AND FITNESS FOR A PARTICULAR PURPOSE. MILLER shall in no event be liable for claimed downtime, claimed loss of profits or goodwill, or any other special, incidental, indirect, or consequential damages concerning or relating to any product or parts, whether based on negligence, strict liability, breach of contract, breach of warranty, misrepresentation or any other legal theory, regardless of whether the loss resulted from any general or particular requirement which MILLER knew or had reason to know about at the time of sale.

MILLER MAKES NO WARRANTY, EXPRESS OR IMPLIED, AS TO THE FINISHED PRODUCTS MANUFACTURED OR SUPPLIED BY ANOTHER MANUFACTURER AND SUPPLIED BY MILLER TO PURCHASER, including, but not limited to, any vehicle to which a MILLER product may be affixed or any accessories or wire rope, and MILLER EXPRESSLY DISCLAIMS ANY IMPLIED WARRANTIES OF MERCHANTABILITY OR FITNESS FOR A PARTICULAR PURPOSE AS TO SUCH EQUIPMENT OR PRODUCTS. This language shall in no way affect or diminish the rights of the purchaser to rely on such warranties as are extended by such manufacturers or suppliers. MILLER shall, to the extent permitted under applicable law, pass on to the purchaser such manufacturer's or seller's warranty.

MILLER, whose policy is one of continuous improvement, reserves the right to improve its products through changes in design or materials as it may deem desirable without being obligated to incorporate such changes in products previously sold. This warranty is not intended to cover or include the following items, which are set forth by way of example and not limitation:

- A. Normal deterioration of trim, paint, lettering, and appearance items due to wear or exposure to weather, road conditions, road treatments, etc.
- B. Any damage or defect due to accident, misuse, abuse, improper or unauthorized repairs, failure to provide reasonable and necessary maintenance, or uses for which the equipment was not designed or intended.
- C. Alterations or modifications that affect performance, operation or reliability.
- D. Normal maintenance parts including, but not limited to, wear pads, bushings, wire rope, mud flaps, fenderettes, light bulbs, hydraulic oil, filters, and tow sling belts.

IT IS EXPRESSLY UNDERSTOOD THAT MILLER MAKES NO IMPLIED WARRANTY THAT MILLER PRODUCTS SHALL BE FIT FOR THE PURPOSE OF LIFTING OR MOVING PEOPLE OR FOR ANY OTHER IMPROPER USE.



Miller Industries Towing Equipment Inc.
8503 Hilltop Drive
Ooltewah, Tennessee 37363
Telephone (423) 238-4171

SERIAL NUMBER

OWNER, USER AND OPERATOR:

We appreciate your choice of our towing and recovery unit for your application. Our number one priority is user safety which is best achieved by our joint efforts. We feel that you can make a major contribution to safety if you, as the equipment owner and operator:

- 1. Comply with Federal, State, and Local Regulations.**
- 2. Read, Understand, and Follow the Instructions in this Manual.**
- 3. Use Good, Safe Work Practices in a Common Sense Way.**
- 4. Only have Authorized and Trained Personnel performing maintenance on the Towing and Recovery Unit.**

TABLE OF CONTENTS

It is assumed by the manufacturer that the Owner/Operator has a thorough knowledge of the accepted and lawful retrieval and towing methods as dictated by his city, county or state. The manufacturer rejects any liability claim that may result from the incorrect or unlawful application of its equipment.

Section I - PARTS

SUBFRAME ASSEMBLY	I-2 & I-3
BODY ASSEMBLY	I-4 & I-5
POWER TILT BOOM ASSEMBLY	I-6 & I-7
POWER TILT WHEEL LIFT ASSEMBLY	I-8 thru I-11
NON-POWER TILT BOOM ASSEMBLY	I-12 & I-13
NON-POWER TILT WHEEL LIFT ASSEMBLY	I-14 thru I-17
TANK, VALVE & FILTER HYDRAULICS	I-18 & I-19
BOOM HYDRAULICS	I-20 & I-21
WHEEL LIFT HYDRAULICS	I-22 & I-23
BOOM SWIVEL ASSEMBLY	I-24
POWER TILT PARTS LIST	I-25 thru I-32
NON-POWER TILT PARTS LIST	I-33 thru I-40

Section II - SCHEMATICS

WIRING HARNESS	II-1
ELECTRICAL SCHEMATIC	II-2
HYDRAULIC SCHEMATIC	II-3

Section I - PARTS

This Section is provided by the manufacturer for the purpose of ordering any component part of the **HOLMES 440 GEN2** that may be required when part replacement is necessary. Be certain to use only original equipment replacement parts for warranty purposes as well as for keeping your unit in its original state and optimum operating capacities.

When ordering replacement or spare parts be sure to provide the following information to the manufacturer's **Parts Department**.

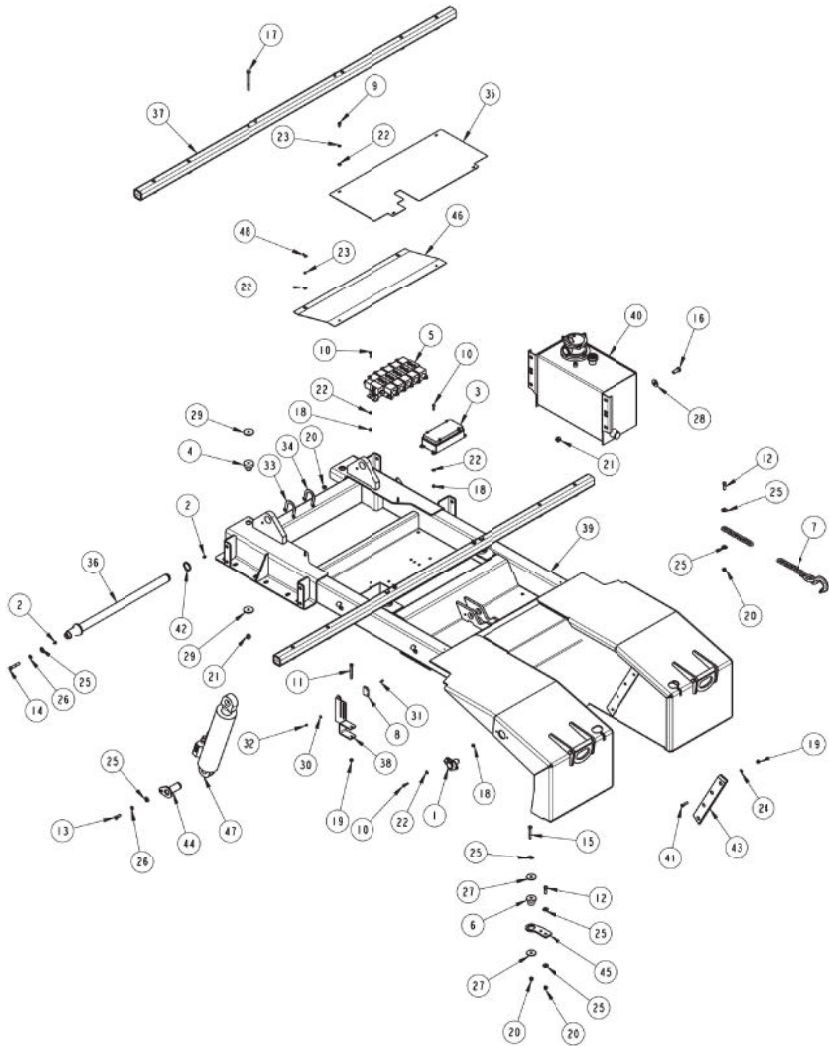
1. **Manual Number & Date of Publication**
2. **Manual Page Number**
3. **Page Title**
4. **Reference Number of Part Desired**
5. **Part Number**
6. **Part Description**
7. **Quantity of Part Desired**

Providing this information will help ensure that the correct parts will be delivered to you in an expedient manner without delay. Should additional information be required for repair or replacement of certain components, contact your Wrecker Manufacturer Authorized Representative.

The Manufacturer reserves the right, without notice or obligation, to improve or modify their products, which may change the specifications, models and feature availability.

Section I - PARTS (cont'd)

SUBFRAME ASSEMBLY



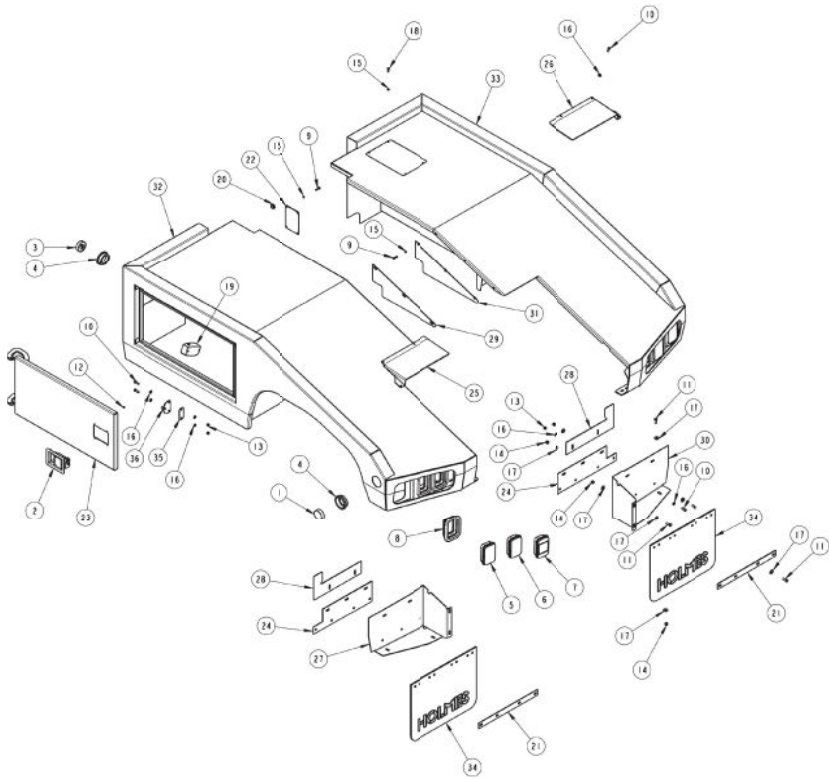
Section I - PARTS (cont'd)

SUBFRAME ASSEMBLY

ITEM	PART NUMBER	DESCRIPTION	QTY
1	0301671	TOW SOCKET	1
2	0301895	GREASE FITTING, 1/8 NPT STRAIGHT	2
3	0303385	JUNCTION BOX	1
4	0306680	RUBBER "T" MOUNTS	4
5	0310573	VALVE 5-SPOOL 810 POWERTILT	1
6	0307114	RUBBER "T" MOUNTS	3
7	0307383	CHAIN ASSEMBLY, 5/16" G7 X 12'	2
8	0310795	PROXIMITY SWITCH	1
9	0400059	1/4-20 X 5/8 HHCS GR 5 ZP	2
10	0400070	1/4-20 X 1 HHCS GR5 ZP	8
11	0400114	5/16-18 X 3 HHCS GR 5 ZP	1
12	0400122	3/8-16 X 1 1/4 HHCS GR.5.ZP	6
13	0400126	3/8-16 X 1 HHCS GR.5.ZP	1
14	0400146	3/8-16 X 2-1/4 HHCS GR.5 ZP	1
15	0400150	3/8-16 X 2-1/2 HHCS GR5 ZP	2
16	0400177	1/2-13 X 1 1/4 HHCS GR. 5, ZP	4
17	0400237	1/2-13 X 4 HHCS GR 5 ZP	4
18	0400367	1/4-20 NYLOCK HEX NUT ZP	8
19	0400382	5/16-18 NYLOCK HEX NUT ZP	9
20	0400392	3/8-16 NYLOCK HEX NUT ZP	9
21	0400408	1/2-13 NYLOCK HEX NUT ZP	8
22	0400451	1/4 FLAT WASHER ZP	14
23	0400452	1/4 HELICAL LOCKWASHER ZP	6
24	0400463	5/16 FLAT WASHER ZP	8
25	0400480	3/8 FLAT WASHER ZP	16
26	0400482	3/8 HELICAL LOCKWASHER ZP	2
27	0400484	3/8 X 1-3/4 X 1/8 THICK FLAT WASHER ZP	4
28	0400492	1/2 FLAT WASHER ZP	4
29	0400498	WASHER, 1/2" ID X 2" OD X .150	8
30	0400816	#10 FLAT WASHER SS	2
31	0402011	#10-32 X 5/8" PAN HEAD PHILLIPS	2
32	0402100	#10-32 NYLOCK HEX NUT SS	2
33	0719519	SHIM - BOOM PIVOT (.0747 THICK) SHIM-	1
34	0719520	BOOM PIVOT (.1196 THK)	1
35	0723146	D.C.V. REAR PANEL	1
36	0807183	BOOM PIVOT PIN WLDT	1
37	0807232	FRONT BODY MTG.TUBE WELD'T	2
38	0807641	PROX MTG. BRACKET WELD'T SUBFRAME	1
39	0807649	WLDT 1	
40	0910008	HYDRAULIC TANK ASSY - CONVENTIONAL	1
41	9043973	SCREW, 5/16"-16 X 1-1/2" FL HD SKT	8
42	9056150	RETAINING RING, 1-1/2"	1
43	805040011	VERTICAL BOOM GUIDE	2
44	805351000	PIN WLDT	1
45	810030005	BODY REAR MTG. PLATE- (T MTG.)	2
46	810032000	D.C.V. FRONT PANEL WELD'T	1
47	810710000	LIFT CYLINDER	1
48	HD1447	1/4-20 WING NUT ZP	4

Section I - PARTS (cont'd)

BODY ASSEMBLY

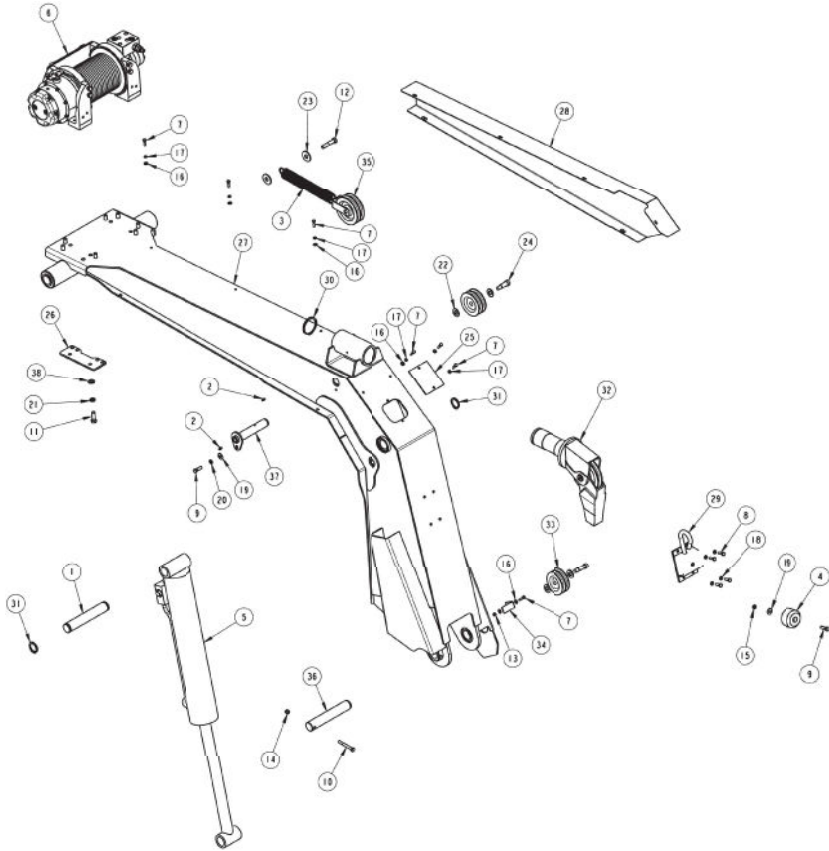


Section I - PARTS (cont'd)

BODY ASSEMBLY

ITEM	PART NUMBER	DESCRIPTION	QTY
1	0301741	MARKER LAMP, RED 2-1/2" ROUND	2
2	0303120	PADDLE LATCH W/GASKET	2
3	0303126	LIGHT, MARKER AMBER	2
4	0303127	GROMMET, MARKER LIGHT	4
5	0306682	TAIL LIGHT / RED/TAIL/MARK/CLEARANCE	2
6	0306683	TAIL LIGHT / STOP-TURN	2
7	0306684	LIGHT, BACKUP	2
8	0306685	GROMMET, LED LIGHT 45 STT	6
9	0400070	1/4-20 X 1 HHCS GR5 ZP	14
10	0400109	5/16-18 X 1 HHCS GR.5,ZP	14
11	0400126	3/8-16 X 1 HHCS GR.5,ZP	22
12	0400351	#8-32 HEX NUT W/ STAR WASHER, ZP	8
13	0400382	5/16-18 NYLOCK HEX NUT ZP	14
14	0400392	3/8-16 NYLOCK HEX NUT ZP	22
15	0400452	1/4 HELICAL LOCKWASHER ZP	18
16	0400463	5/16 FLAT WASHER ZP	28
17	0400480	3/8 FLAT WASHER ZP	44
18	0402020	1/4-20 X 3/4 HHCS SS	4
19	9025049	INTERIOR COMPARTMENT LIGHT W/ SWITCH	1
20	9032053	GROMMET	2
21	804500001	MUD FLAP BACK-UP STRIP	2
22	805040005	COVER PLATE- BOOM END	2
23	806160600	DOOR WLMT (16 1/2 X 16 1/2)	1
24	810010001	BRACKET-MUD FLAP	2
25	810010006	PANEL- LH REAR SLOPE	1
26	810017006	PANEL- RH REAR SLOPE	1
27	810030015	PANEL - LT LIGHT COVER	1
28	810030016	PLATE - GUARD FILLER (SS)	2
29	810031100	LH INSIDE SKIRT WELDT	1
30	810037015	S.S. PANEL- RH LIGHT COVER	1
31	810038100	RH INSIDE SKIRT WELDT	1
32	810150000	LT BOX WLDT - 810 1	
33	810157000	RH BOX WLDT - 8101	
34	GC-138B	MUDFLAP	2
35	945400518	WASHER PLATE	2
36	945400800	STRIKER PIN WELDT	2

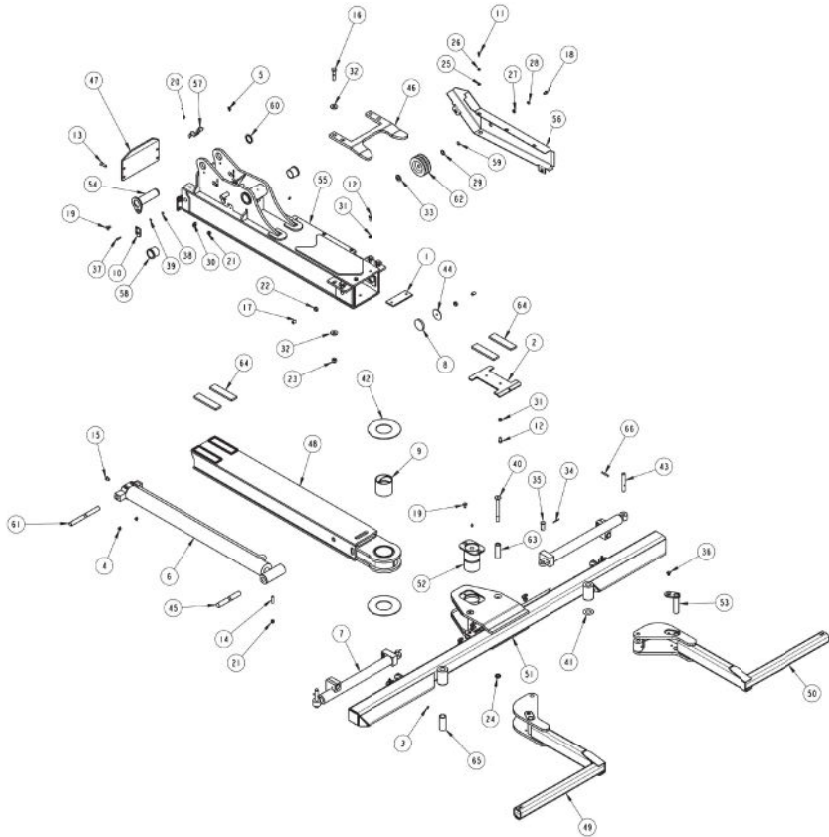
Section I - PARTS (cont'd)
POWER TILT BOOM ASSEMBLY



Section I - PARTS (cont'd)
POWER TILT BOOM ASSEMBLY

ITEM	PART NUMBER	DESCRIPTION	QTY
1	3014-700002	PIN - FOLD (BASE)	1
2	0300113	GREASE FITTING, 1/4-28 STRAIGHT SS	2
3	0303521	SPRING, HOSE TENSIONER	1
4	0306688	TIMBREN SPRING	1
5	0310579	CYLINDER-810/405 FOLD	1
6	0310777	WINCH, 8000SP2 W/TENSIONER	1
7	0400070	1/4-20 X 1 HHCS GR5 ZP	10
8	0400109	5/16-18 X 1 HHCS GR.5,ZP	4
9	0400122	3/8-16 X 1 1/4 HHCS GR.5,ZP	2
10	0400133	3/8-16 X 3 HHCS GR.5,ZP	1
11	0400181	1/2-13 X 1-1/2 HHCS GR 5 ZP	8
12	0400185	1/2-13 X 2-1/2 HHCS GR 5 ZP	1
13	0400367	1/4-20 NYLOCK HEX NUT ZP	2
14	0400392	3/8-16 NYLOCK HEX NUT ZP	1
15	0400398	3/8-16 NYLOCK HALF-NUT ZP	1
16	0400451	1/4 FLAT WASHER ZP	10
17	0400452	1/4 HELICAL LOCKWASHER ZP	8
18	0400464	5/16 HELICAL LOCKWASHER ZP	4
19	0400480	3/8 FLAT WASHER ZP	2
20	0400482	3/8 HELICAL LOCKWASHER ZP	1
21	0400491	1/2 HELICAL LOCKWASHER ZP	8
22	0400505	5/8 FLAT WASHER SAE	4
23	0400506	5/8 FLAT WASHER USS	2
24	0400606	5/8 X 1-1/4 SHOULDER BOLT	2
25	0708519	PLATE, ACCESS COVER	1
26	0723174	WINCH SPACER PLATE	2
27	0807559	BOOM	1
28	0807675	COVER WLDT - TENSIONER	1
29	0811005	BUMPER STOP/COVER PLT WLDT	1
30	9055275	SNAP RING, 2-3/4" EXTERNAL	1
31	9056150	RETAINING RING, 1-1/2"	2
32	805180000	SHEAVE HOUSING ASSEMBLY	1
33	810040004	SHEAVE, SMALL GROOVED	2
34	810040006	HOSE RETAINING ANGLE	1
35	810041500	TENSIONER BRACKET WLDT	1
36	810350001	PIN, STINGER PIVOT	1
37	810351000	PIN WLDT UPPER LIFT CYLINDER	1
38	DE1381	1/2" FLAT WASHER	8

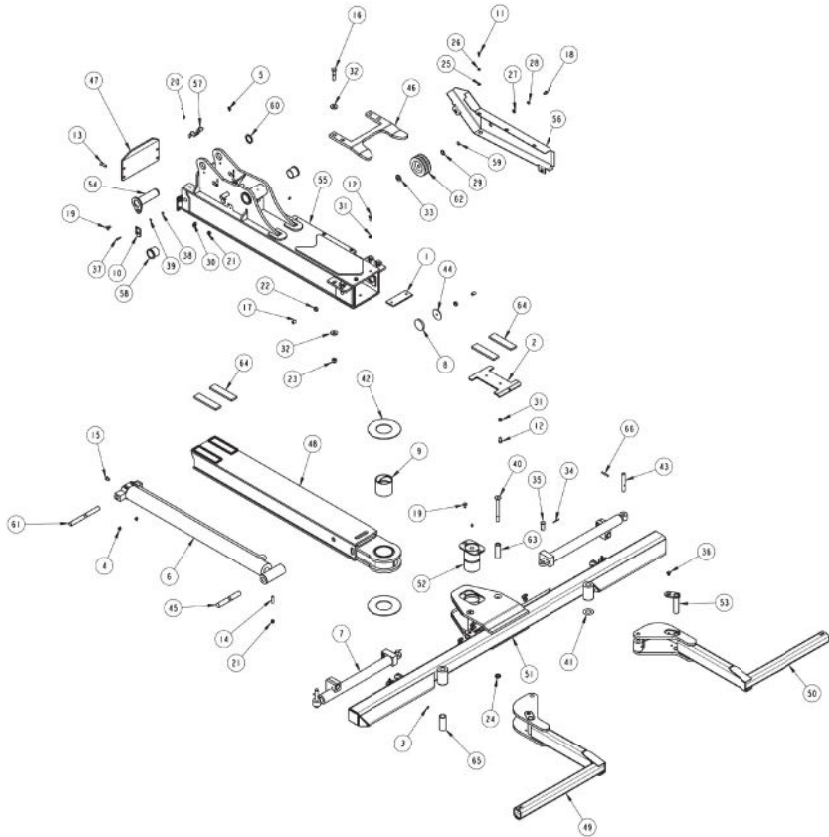
Section I - PARTS (cont'd)
POWER TILT WHEEL LIFT ASSEMBLY



Section I - PARTS (cont'd)
POWER TILT WHEEL LIFT ASSEMBLY

ITEM	PART NUMBER	DESCRIPTION	QTY
1	3012-794003	BAR - SPACER	1
2	3012-794004	PLATE - UL PAD CAGE	1
3	0300113	GREASE FITTING, 1/4-28 STRAIGHT SS	4
4	0301397	GREASE FITTING, 90 DEG	2
5	0302726	GREASE FITTING, 1/4"-28 X 45°	2
6	0303020	CYLINDER, WHEEL LIFT EXTEND	1
7	0303844	CYLINDER, SWING L-ARM	2
8	0306819	PAD, SLIDE	2
9	0306879	BUSHING	1
10	0310795	PROXIMITY SWITCH	1
11	0400059	1/4-20 X 5/8 HHCS GR 5 ZP	5
12	0400121	3/8-16NC X 3/4 HHCS GR. 5	4
13	0400128	3/8-16X1.25 FLAT HD SOC	4
14	0400139	SCREW, 3/8"-16 X 1-1/2" HEX SKT SET	1
15	0400154	3/8-16 X 1/2 HHCS GR.5,ZP	1
16	0400184	1/2-13 X 2-1/4 HHCS GR 8 ZP	4
17	0400204	1/2-13X3/4 SKT HD SET	2
18	0400233	5/16-18 X 1/2 HHCS GR5 ZP	1
19	0400349	SCREW, 3/8"-16 X 3/4" FL HD SKT	3
20	0400382	5/16-18 NYLOCK HEX NUT ZP	1
21	0400392	3/8-16 NYLOCK HEX NUT ZP	5
22	0400410	NUT, 1/2"-13 HEX JAM ZP	2
23	0400416	1/2-13 NYLOCK HEX NUT GR.8, ZP	4
24	0400428	5/8-11 FLEXLOC THIN HIGH	2
25	0400451	1/4 FLAT WASHER ZP	5
26	0400452	1/4 HELICAL LOCKWASHER ZP	5
27	0400463	5/16 FLAT WASHER ZP	1
28	0400464	5/16 HELICAL LOCKWASHER ZP	1
29	0400476	5/8 (.635) X .062 SHIM WASHER	1
30	0400480	3/8 FLAT WASHER ZP	4
31	0400482	3/8 HELICAL LOCKWASHER ZP	4
32	0400492	1/2 FLAT WASHER ZP	8
33	0400505	5/8 FLAT WASHER SAE	1

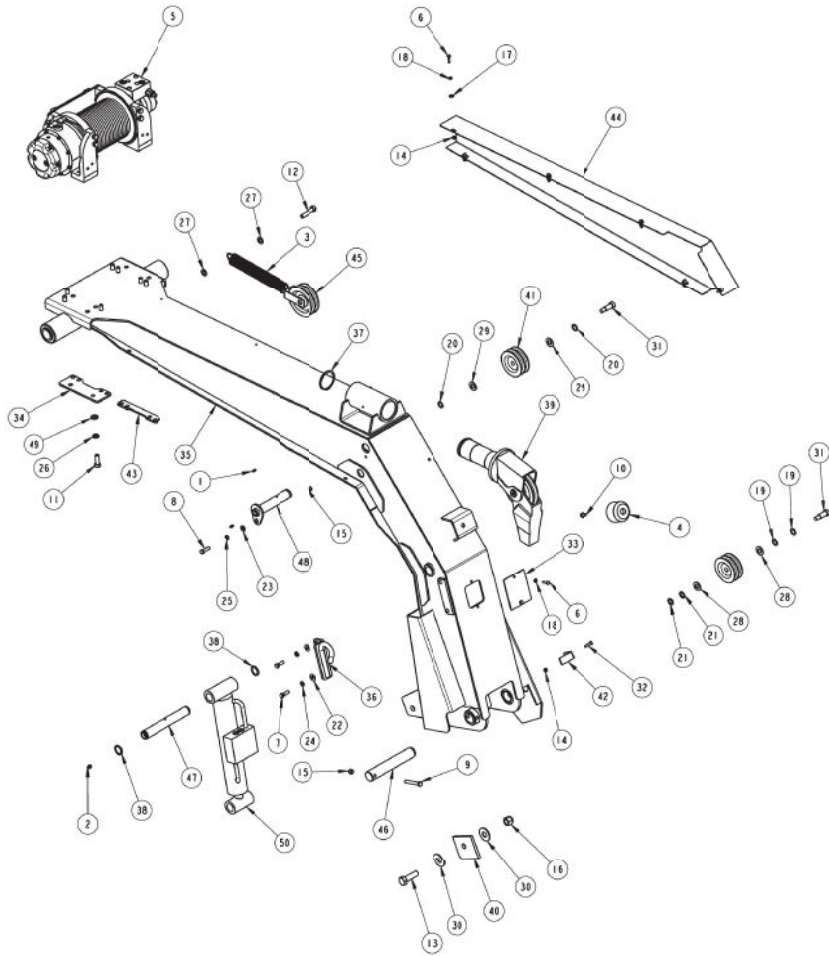
Section I - PARTS (cont'd)
POWER TILT WHEEL LIFT ASSEMBLY (cont'd)



Section I - PARTS (cont'd)
POWER TILT WHEEL LIFT ASSEMBLY (cont'd)

ITEM	PART NUMBER	DESCRIPTION	QTY
34	0400546	COTTER PIN, 1/8" X 1-1/4"	2
35	0400590	CLEVIS PIN	2
36	0400667	3/8-16X1/2 FLT SOC HD THREAD LOCK	2
37	0400686	#10-24 x 1" PAN HEAD PHILLIPS	2
38	0400688	#10-24 NYLOCK HEX NUT SS	2
39	0400816	#10 FLAT WASHER SS	2
40	0401006	3/8"-16 X 1" FL HD SKT CAP SCREW	2
41	0700166	SPACER WASHER	5
42	0710092	THRUST WASHER	2
43	0713885	PIN - CYLINDER (L-ARM END)	2
44	0717674	SHIM - PAD SPACER	2
45	0718216	SHAFT - INNER TUBE CYLINDER	1
46	0718217	PLATE - XBAR POSITIONING	1
47	0719100	PLATE, END COVER	1
48	0806840	BOOM INNER STINGER EXPRESS WLDT	1
49	0806978	LEFT L ARM WLDT	1
50	0806979	RIGHT L-ARM WLDT	1
51	0806980	CROSSBAR WLDT 1	
52	0806981	PIN PIVOT WLDT-XBAR	1
53	0806982	PIN L ARM PIVOT	2
54	0807553	PIN WLDT LOWER TILT CYLINDER	1
55	0807632	BOOM OUTER STINGER WLDT	1
56	0807633	HOSE COVER WLDT	1
57	9048166	TUBE CLAMP, DOUBLE	1
58	9053713	FLANGE BEARING, 1-1/2" I.D. OILITE	2
59	9055062	SNAP RING, 5/8" EXTERNAL	1
60	9056150	RETAINING RING, 1-1/2"	1
61	807500001	PIN - EXTEND	1
62	810040004	SHEAVE, SMALL GROOVED	1
63	810050001	SLEEVE CROSSBAR ASSEMBLY	2
64	896040002	NYLATRON PAD	4
65	E300002	BEARING - CLAW PIVOT	2
66	HD0106	1/4 x 1-3/4 ROLL PIN ZP	2

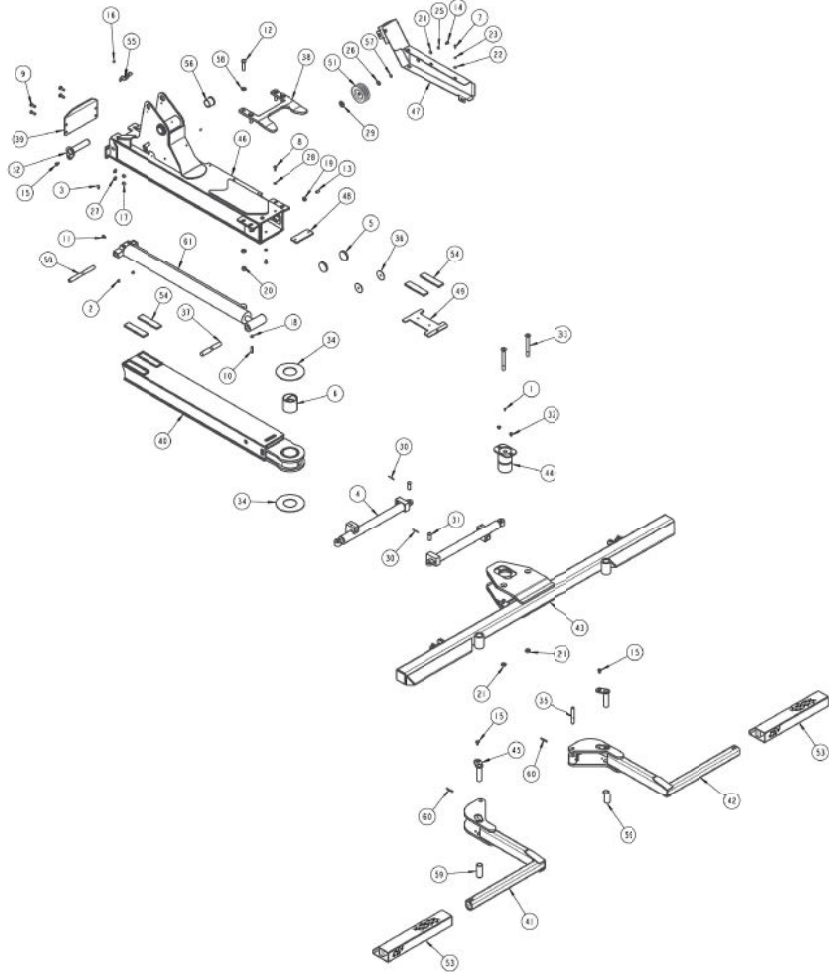
Section I - PARTS (cont'd)
NON-POWER TILT BOOM ASSEMBLY



Section I - PARTS (cont'd)
NON-POWER TILT BOOM ASSEMBLY

ITEM	PART NUMBER	DESCRIPTION	QTY
1	0300113	GREASE FITTING, 1/4-28 STRAIGHT SS	2
2	0301895	GREASE FITTING, 1/8 NPT STRAIGHT	1
3	0303521	SPRING, HOSE TENSIONER	1
4	0306688	TIMBREN SPRING	1
5	0310777	WINCH, 8000 SP2 W/TENSIONER	1
6	0400070	SCREW, 1/4"-20 X 1" HEX HD CAP	8
7	0400122	3/8-16 X 1 1/4 HHCS GR.5,ZP	2
8	0400122	SCREW, 3/8"-16 X 1-1/4" HEX HD CAP GR5	1
9	0400133	SCREW, 3/8"-16 X 3" HEX HD CAP GR5	1
10	0400141	SCREW, 3/8"-16 X 7/8" HEX HD CAP GR5	1
11	0400181	SCREW, 1/2"-13 X 1-1/2" HEX HD CAP	8
12	0400185	SCREW, 1/2"-13 X 2-1/2" HEX HD CAP	1
13	0400288	SCREW, 3/4"-10 X 3-1/2" HEX HD CAP GR8	2
14	0400367	NUT, 1/4"-20 HEX NYLOK	5
15	0400392	NUT, 3/8"-16 HEX NYLOK	2
16	0400430	NUT, 3/4"-10 HEX NYLOK	3
17	0400451	WASHER, 1/4" FLAT	6
18	0400452	LOCKWASHER, 1/4" HELICAL	6
19	0400474	SHIM WASHER, 5/8" ID X 1" OD X .02" THK	2
20	0400475	SHIM WASHER, 5/8" ID X 1" OD X .03125" THK	2
21	0400476	SHIM WASHER, 5/8" ID X 1" OD X .0625" THK	2
22	0400480	3/8 FLAT WASHER ZP	2
23	0400480	WASHER, 3/8" FLAT	1
24	0400482	3/8 HELICAL LOCKWASHER ZP	2
25	0400482	LOCKWASHER, 3/8" HELICAL	1
26	0400491	LOCKWASHER, 1/2" HELICAL	8
27	0400492	WASHER, 1/2" FLAT	2
28	0400505	WASHER, 5/8" FLAT SAE	2
29	0400506	WASHER, 5/8" FLAT	2
30	0400510	3/4 FLAT WASHER ZP	5
31	0400606	5/8 X 1-1/4 SHOULDER BOLT	2
32	0402022	SCREW, 1/4"-20 X 1-1/4" FLAT	2
33	0708519	PLATE, ACCESS COVER	1
34	0723174	WINCH SPACER PLATE	1
35	0807653	MAIN BOOM WELD'T	1
36	0810191	CABLE TIE-BACK - LH	1
37	9055275	SNAP RING, 2-3/4" EXTERNAL	1
38	9056125	SNAP RING - 1-1/4" HEAVY DUTY	2
39	805180000	SHEAVE HOUSING ASSEMBLY	1
40	810040002	STOP BLOCK	2
41	810040004	SHEAVE, SMALL GROOVED	2
42	810040006	HOSE RETAINING ANGLE	1
43	810040007	WINCH SPACER PLATE	2
44	810040600	TENSIONER COVER WELDMENT	1
45	810041500	TENSIONER BRACKET WELDMENT	1
46	810350001	PIN, STINGER PIVOT	1
47	810350002	PIN, UPPER TILT CYLINDER	1
48	810351000	PIN WELD'T UPPER LIFT CYLINDER	1
49	DE1381	1/2" FLAT WASHER	8
50	810730000	CYLINDER HYDRAULIC FOLD	1

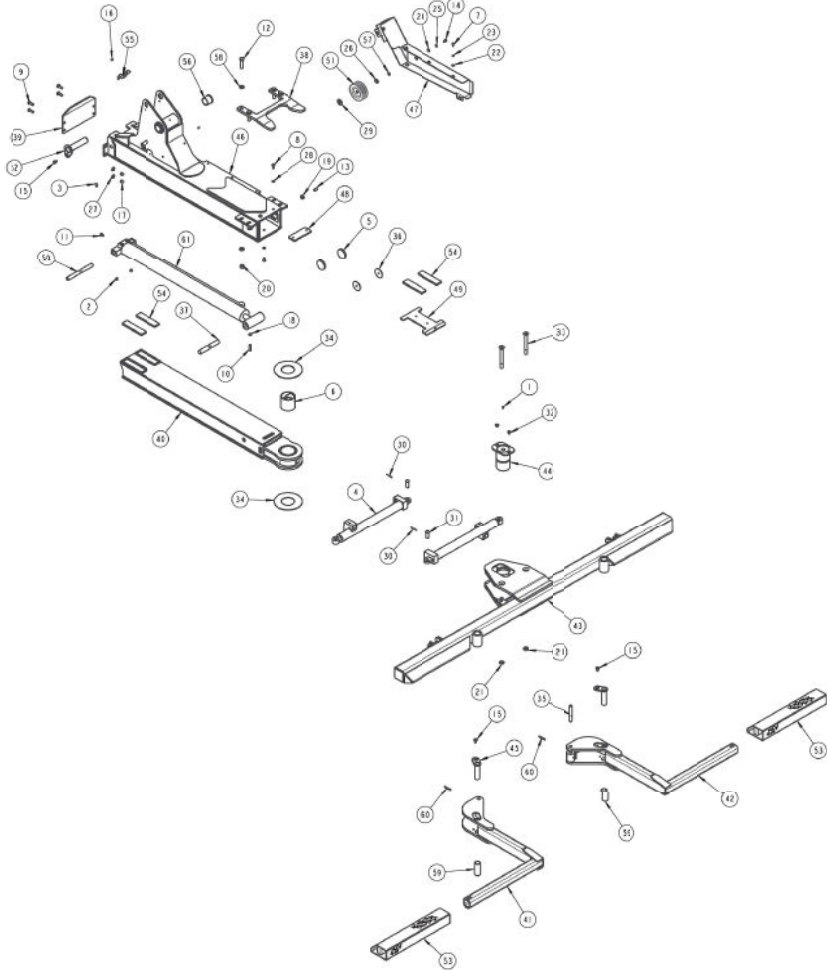
Section I - PARTS (cont'd)
NON-POWER TILT WHEEL LIFT ASSEMBLY



Section I - PARTS (cont'd)
NON-POWER TILT WHEEL LIFT ASSEMBLY

ITEM	PART NUMBER	DESCRIPTION	QTY
1	0300113	GREASE FITTING, 1/4-28 STRAIGHT SS	2
2	0301397	GREASE FITTING, 90 DEG	2
3	0302726	GREASE FITTING, 1/4"-28 X 45°	2
4	0303844	CYLINDER, SWING L-ARM	2
5	0306819	PAD, SLIDE	2
6	0306879	BUSHING	1
7	0400059	SCREW, 1/4"-20 X 5/8" HEX HD CAP	5
8	0400121	SCREW, 3/8"-16 X 3/4" HEX HD CAP GR5	4
9	0400128	SCREW, 3/8"-16 X 1-1/4" FL SOCKET HD	4
10	0400139	SCREW, 3/8"-16 X 1-1/2" HEX SOCKET SET	1
11	0400154	SCREW, 3/8"-16 X 1/2" HEX HD CAP GR5	1
12	0400184	SCREW, 1/2"-13 X 2-1/4" HEX HD CAP	4
13	0400204	SCREW, 1/2"-13 X 3/4" SKT HD SET	2
14	0400233	SCREW, 5/16"-18 X 1/2" HEX HD CAP	1
15	0400349	SCREW, 3/8"-16 X 3/4" FL SOCKET HD	3
16	0400367	NUT, 1/4"-20 HEX NYLOK	1
17	0400392	NUT, 3/8"-16 HEX NYLOK	4
18	0400398	NUT, 3/8"-16 HEX NYLOK	1
19	0400410	NUT, 1/2"-13 HEX JAM ZP	2
20	0400416	NUT, 1/2"-13 HEX NYLOK GR8	4
21	0400428	5/8-11 FLEXLOC THIN HIGH	2
22	0400451	WASHER, 1/4" FLAT	5
23	0400452	LOCKWASHER, 1/4" HELICAL	5
24	0400463	WASHER, 5/16" FLAT	1
25	0400464	LOCKWASHER, 5/16" HELICAL	1
26	0400476	SHIM WASHER, 5/8" ID X 1" OD X .0625" THK	1
27	0400480	WASHER, 3/8" FLAT	4
28	0400482	LOCKWASHER, 3/8" HELICAL	4
29	0400503	WASHER, 5/8" FLAT GR8 ZP	1
30	0400546	COTTER PIN, 1/8" X 1-1/4"	2
31	0400590	CLEVIS PIN	2

Section I - PARTS (cont'd)
NON-POWER TILT WHEEL LIFT ASSEMBLY (cont'd)



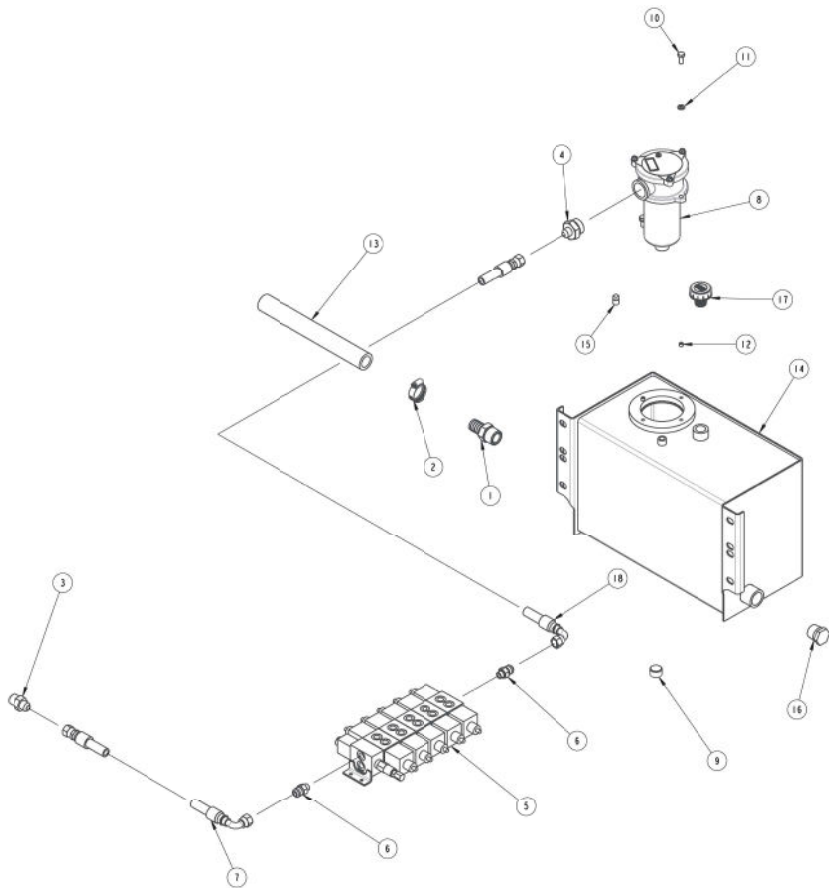
I-16

Section I - PARTS (cont'd)
NON-POWER TILT WHEEL LIFT ASSEMBLY (cont'd)

ITEM	PART NUMBER	DESCRIPTION	QTY
32	0400667	3/8-16X1/2 FLT SOC HD THREAD LOCK	2
33	0401006	3/8"-16 X 1" FL HD SKT CAP SCREW	2
34	0710092	THRUST WASHER	2
35	0713885	PIN - CYLINDER (L-ARM END)	2
36	0717674	SHIM - PAD SPACER	2
37	0718216	SHAFT- INNER TUBE CYLINDER	1
38	0718217	PLATE - XBAR POSITIONING	1
39	0719100	PLATE, END COVER	1
40	0806840	BOOM INNER STINGER EXPRESS WLMT	1
41	0806978	LEFT L ARM WLDT	1
42	0806979	RIGHT L-ARM WLDT	1
43	0806980	CROSSBAR WELDMENT	1
44	0806981	PIN PIVOT WLDT-XBAR	1
45	0806982	PIN L ARM PIVOT	2
46	0807072	BOOM OUTER STINGER WELD'T	1
47	0807073	HOSE COVER WELD'T	1
48	3012-794003	BAR - SPACER	1
49	3012-794004	PLATE - UL PAD CAGE	1
50	807500001	PIN - EXTEND	1
51	810040004	SHEAVE, SMALL GROOVED	1
52	810350500	PIN WELDMENT LOWER TILT CYLINDER	1
53	810620500	WHEEL SPACER WELD'T	2
54	896040002	NYLATRON PAD	4
55	9048166	TUBE CLAMP, DOUBLE	1
56	9053713	FLANGE BEARING, 1-1/2" I.D. OILITE	2
57	9055062	SNAP RING, 5/8" EXTERNAL	1
58	DE1381	1/2" FLAT WASHER	8
59	E300002	BEARING - CLAW PIVOT	2
60	HD0106	1/4 X 1-3/4 ROLL PIN ZP	2
61	0303020	CYL, HYD 2.5 X 33.75	1

I-17

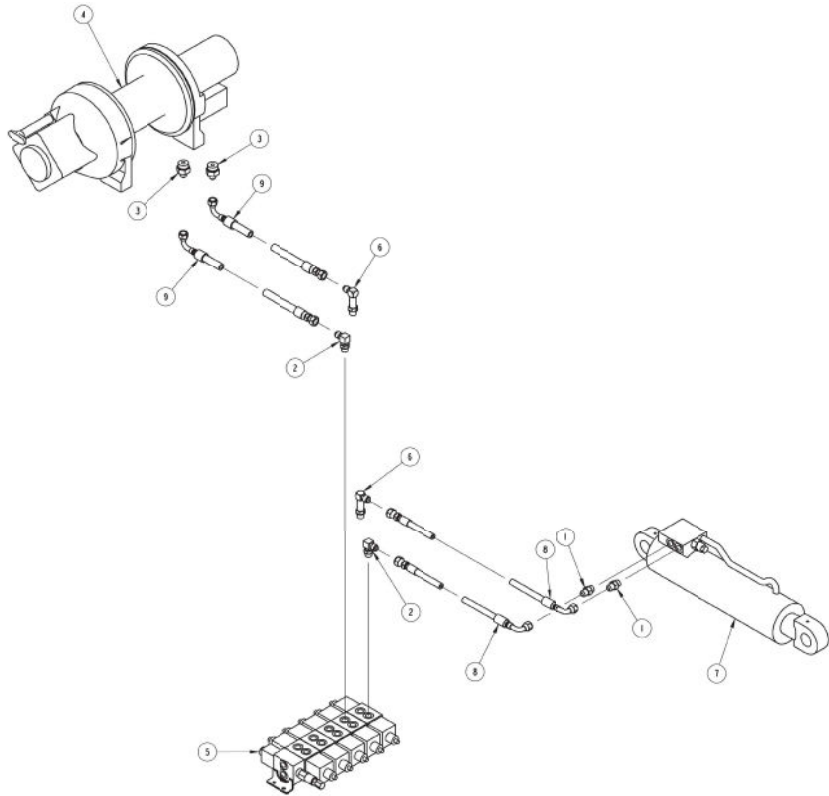
Section I - PARTS (cont'd)
TANK, VALVE & FILTER HYDRAULICS



Section I - PARTS (cont'd)
TANK, VALVE & FILTER HYDRAULICS

ITEM	PART NUMBER	DESCRIPTION	QTY
1	0300056	BARB, 16C4-16MP	1
2	0300071	HOSE CLAMP, 1"	1
3	0301391	CONNECTOR, 8MJ-12MP	1
4	0302757	CONNECTOR, 8MJ-12MB	1
5	0310573	VALVE 5-SPOOL 810 POWERTILT	1
6	0307555	CONNECTOR 8MJX6MB	2
7	0307663	HOSE ASSEMBLY, 185"	1
8	0310296	IMMERSION FILTER ASSEMBLY	1
9	0310462	MAGNETIC HEX PLUG - 3/4 NPT	1
10	0400118	5/16-18 X 3/4 HHCS GR.5 ZP	2
11	0400464	5/16 HELICAL LOCKWASHER ZP	2
12	0400748	SCREW, 5/16"-18 X 1/4" HEX SKT SET	2
13	0702540	SUCTION HOSE, 12 FT (1" ID)	1
14	0807297	HYDRAULIC TANK WLDT	1
15	9011011	PIPE PLUG, 1/4" SQ HD	1
16	9012839	PLUG 1" (HYDRAULIC) HEX HEAD	1
17	9018131	BREATHER CAP	1
18	810770017	HOSE ASSEMBLY, 32"	1

Section I - PARTS (cont'd)
BOOM HYDRAULICS

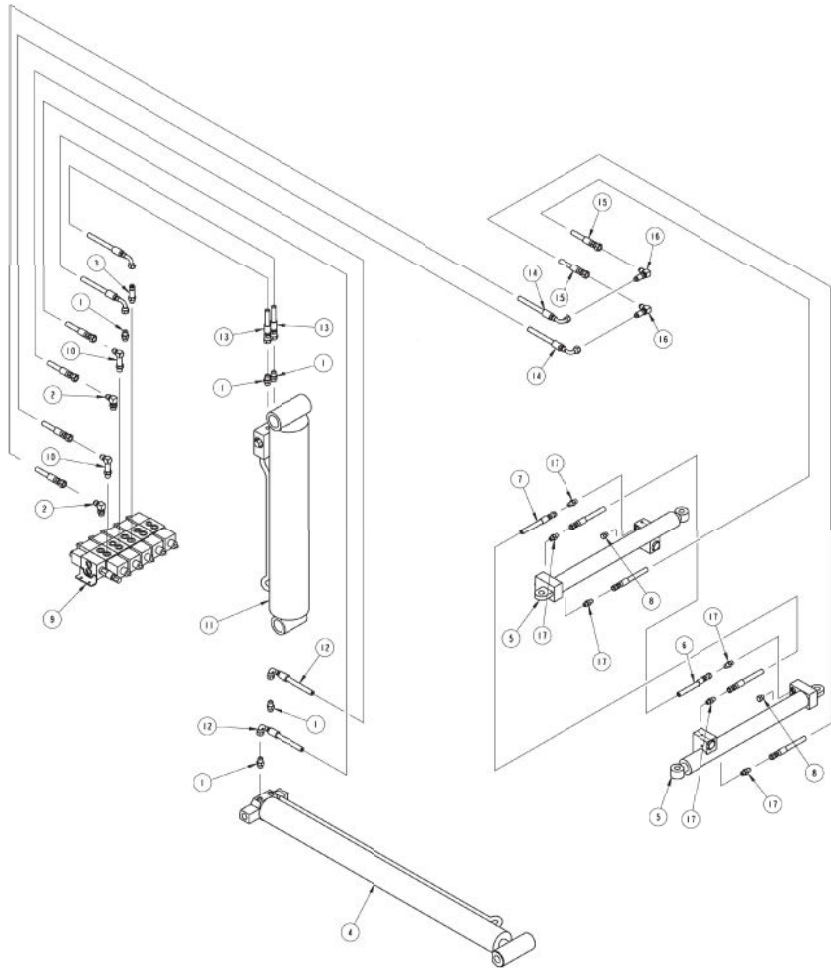


Section I - PARTS (cont'd)
BOOM HYDRAULICS

ITEM	PART NUMBER	DESCRIPTION	QTY
1	0301522	CONNECTOR 6MJ-6MB	2
2	0301620	FITTING, ELBOW, 6MJ-6MB90	2
3	0301778	CONNECTOR 6MJx10MB	2
4	0306691	WNCH, RAMSEY 4-TON PLANETARY	1
5	0310573	VALVE 5-SPOOL 810 POWERTILT	1
6	0307460	FITTING, ELBOW, 6MJ-6MB90L	2
7	810710000	LIFT CYLINDER	1
8	810770015	HOSE ASSEMBLY, 29"	2
9	880010003	HOSE ASSEMBLY, 32"	2

Section I - PARTS (cont'd)

WHEEL LIFT HYDRAULICS



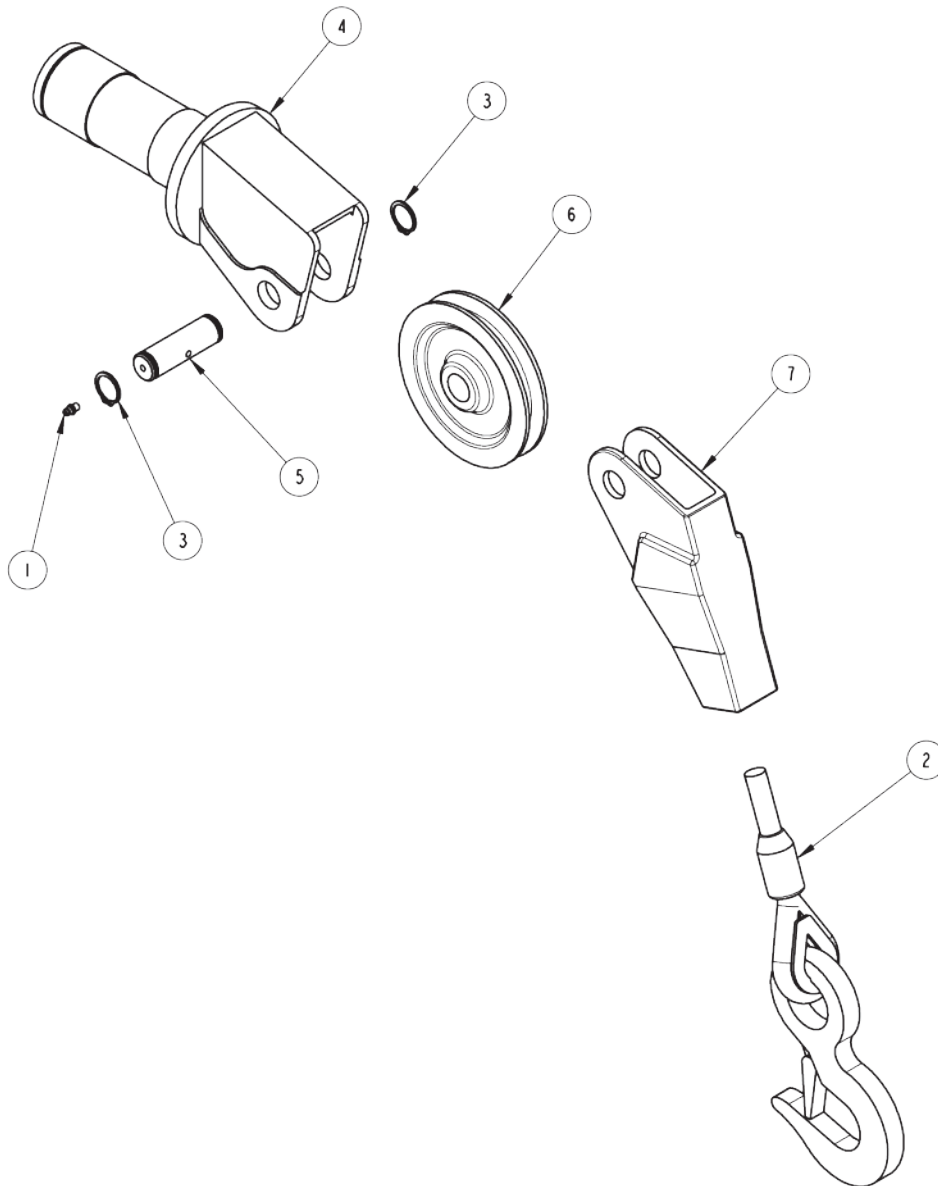
Section I - PARTS (cont'd)

WHEEL LIFT HYDRAULICS

ITEM	PART NUMBER	DESCRIPTION	QTY
1	0301522	CONNECTOR 6MJ-6MB	5
2	0301620	FITTING, ELBOW, 6MJ-6MB90	2
3	0302510	CONNECTOR, 6MJ-6MBL	1
4	0303020	CYLINDER, WHEEL LIFT EXTEND	1
5	0303844	CYLINDER, SWING L-ARM	2
6	0303860	HOSE ASSEMBLY, 10-3/4"	1
7	0303861	HOSE ASSEMBLY, 17"	1
8	0303886	PLUG - 1/4 SAE O-RING	2
9	0310573	VALVE 5-SPOOL 810 POWER/TILT	1
10	0307460	FITTING, ELBOW, 6MJ-6MB90L	2
11	0310579	CYLINDER-810/405 FOLD	1
12	806750108	HOSE ASSEMBLY, 140"	2
13	810770003	HOSE ASSEMBLY, 99"	2
14	810770011	HOSE ASSEMBLY, 77"	2
15	810770012	HOSE ASSEMBLY, 157"	2
16	FC41	ELBOW - BULKHEAD	2
17	HC1291	CONNECTOR, 4MJ-4MB STR	6

Section I - PARTS (cont'd)

BOOM SWIVEL ASSEMBLY



ITEM	PART NUMBER	DESCRIPTION	QTY
1	0300113	GREASE FITTING, 1/4-28 STRAIGHT SS	1
2	0302916	WINCH CABLE ASSY	1
3	9056098	SNAP RING, 1"	2
4	804181500	SHEAVE HOUSING CASTING	1
5	805180001	SHEAVE SHAFT	1
6	805180002	SHEAVE CASTING	1
7	852060100	CABLE GUIDE CASTING	1

Section I - PARTS (cont'd)

PARTS LIST 440PT GEN 2

ITEM	PART NUMBER	DESCRIPTION	QTY
--	120440300	440PT GEN 2	
1	0912037	BUA, 440PT GEN 2	1
2	0912038	SHIP KIT, 440PT GEN 2	1
--	0912037	BUA, 440PT GEN 2	
3	0301895	GREASE FITTING,STR 1/8 PTF	2
4	0302726	GREASE FITTING, 1/4-28 X 45DEG	2
5	0307383	CHAIN ASSY 5/16 G7 X 12'	2
6	0307663	HOSE, HYD ASSY 185" LGTH 90	1
7	0310333	PLUG - 8MJ	1
8	0400002	4X1/4 DRIVE SCREW RD HD	4
9	0400059	1/4-20X5/8 HHCS GR5 ZP	2
10	0400062	1/4-20X3/4 THRD CUT HEX	3
11	0400070	1/4-20X1 HHCS GR5 ZP	4
12	0400126	3/8-16X1 HHCS GR5 ZP.	5
13	0400133	3/8-16X3 HHCS GR5 ZP	1
14	0400138	3/8-16X2 SQ.HD.SET SCREW	2
15	0400146	3/8-16X2.25 HHCS GR5 ZP	2
16	0400349	3/8-16X3/4 FLT SOC HD	1
17	0400367	1/4-20 NYLOK HEX NUT ZP	9
18	0400392	3/8-16 NYLOK HEX NUT ZINC	2
19	0400451	1/4 FLATWASHER ZP	9
20	0400480	3/8 FLATWASHER ZP	1
21	0400482	3/8" HELICAL LCKWSHR - ZP	1
22	0400505	5/8" SAE WASHER	2
23	0400606	5/8 X 1 1/4 SHOULDER BOLT	1
24	0501422	PLATE-SERIAL&DATA 804,807,810	1
25	0719519	SHIM - BOOM PIVOT (0.0747 THK)	2
26	0719520	SHIM - BOOM PIVOT (.1196 THK)	2
27	0730187	JUNCTION BOX PLATE EXP,810,812	1
28	0807183	MAIN BOOM PIVOT PIN WLMT.	1
29	0807553	PIN WLMT - FOLD PIN 810 P/T	1
30	0807649	SUBFRAME WLMT, 810 P/TILT	1
31	0908620	XBAR ASSY - RECESSED PINS	1
32	0910512	W/L BOOM ASSY, 810 P/TILT	1
33	0910522	MAIN BOOM ASSY, 810 POWERTILT	1
34	0910604	VALVE ASSY, 810 SGL WIN P/TILT	1
35	0910933	HYD TANK ASSY, NARROW	1
36	805040011	VERTICAL BOOM GUIDE PAD	2
37	805351000	PIN WELD'T (LOWER LIFT C	1
38	810040004	SMALL SHEAVE - 2-GROOVES 4"	1
39	810050001	SLEEVE - CROSSBAR ASSEMBLY	1
40	810350001	PIN - STINGER PIVOT	1
41	810351000	PIN WELD'T - UPPER LIFTING CYL	1
42	810620500	WHEEL SPACER WELD'T	2
43	810710000	3.5" LIFT CYLINDER 10.44"STR.	1
44	810740001	WIRING HARNESS 810	1
45	810770015	HOSE 29" 4M2T 6FJX90S-6FJX	2
46	810770017	HOSE ASSY 32 8M2T 8FJX90S-8FJX	1
47	9043827	MAC.SCR 10-32X5/8 PAN PHIL HD	8

Section I - PARTS (cont'd)

PARTS LIST 440PT GEN 2 (cont'd)

ITEM	PART NUMBER	DESCRIPTION	QTY
--	0912037	BUA, 440PT GEN 2 (cont'd)	
48	9043973	5/16-18X1 1/2 FL.HD.SOC.	8
49	9056150	RETAINING RING - 1 1/2	2
50	HD1447	1/4-20 WING NUT	4
--	0908620	XBAR ASSY - RECESSED PINS	
51	0300113	GREASE FITTING,1/4-28 STRAIGHT	3
52	0303844	CYL HYD - SWING L ARM	2
53	0303860	HOSE HYD, 10-3/4"	1
54	0303861	HOSE HYD, 18"	1
55	0303886	4 MB-PLUG	2
56	0400349	3/8-16X3/4 FLT SOC HD	2
57	0400428	5/8-11 FLEXLOC THIN HIGH	2
58	0400546	1/8X1-1/4 COTTER PIN	2
59	0400590	5/8X1-1/2 CLEVIS PIN	2
60	0400667	3/8-16X1/2 FLT SOC HD THRD LOK	2
61	0401006	5/8-11X5.5 FLT HD SCKT CAP SCW	2
62	0700166	WASHER, SPACER	4
63	0710092	WASHER, THRUST 6500 W/L	2
64	0713885	PIN - CYLINDER(L ARM END)	2
65	0806978	LEFT "L" ARM WELD'T	1
66	0806979	RIGHT "L" ARM WELD'T	1
67	0806980	CROSSBAR WELD'T - EXPRESS	1
68	0806981	PIVOT PIN WELD'T	1
69	0806982	PIN WELD'T - "L" ARM PIVOT	2
70	E300002	BEARING	2
71	HC1291	FITTING, 4MJ-4MB STR THR	6
72	HD0106	1/4X1.75SPRING PIN ZP	2
--	0910512	W/L BOOM ASSY, 810 P/TILT	
73	0301397	GREASE FITTING,1/4-28 X 90 DEG	2
74	0301522	FITTING, CONN. 6MJ-6MB	2
75	0303020	CYL HYD EXT - EB3 (J13)	1
76	0306819	PAD - SLIDE (2 1/4 DIA UHMW)	2
77	0400059	1/4-20X5/8 HHCS GR5 ZP	6
78	0400121	3/8-16X3/4 HHCS GR5 ZP	4
79	0400128	3/8-16X1.25 FLAT HD SOC	4
80	0400139	3/8-16X1.5 HEX SKT SET	1
81	0400154	3/8-16X1/2 HHCS GR5 ZP	1
82	0400184	1/2-13X2.25 HHCS GR 8	4
83	0400204	1/2-13X3/4 SKT HD SET	2
84	0400233	5/16-18X1/2HHCS GR5 ZP	1
85	0400392	3/8-16 NYLOK HEX NUT ZINC	4
86	0400398	3/8-16 NYLOK HALF-NUT ZP	1
87	0400410	1/2-13 HEX JAM NUT ZP	2
88	0400416	1/2-13 NYLOK GR 8 YZ PLT	4
89	0400451	1/4 FLATWASHER ZP	6
90	0400452	1/4" HELICAL LCKWASHR ZP	6
91	0400463	5/16" FLATWASHER ZP.	2
92	0400464	5/16" HELICAL LCKWSHR ZP	1

Section I - PARTS (cont'd)

PARTS LIST 440PT GEN 2 (cont'd)

ITEM	PART NUMBER	DESCRIPTION	QTY
--	0910512	W/L BOOM ASSY, 810 P/TILT (cont'd)	
93	0400476	5/8(.635)X .062 SHIM WASHER	1
94	0400480	3/8 FLATWASHER ZP	4
95	0400482	3/8" HELICAL LCKWSHR - ZP	4
96	0400503	5/8" FLATWASHER GR8 YZ PLT	1
97	0717674	SHIM, PAD SPACER	2
98	0718216	SHAFT, INNER TUBE CYLINDER	1
99	0718217	PLATE - CENTER	1
100	0719100	PLATE, HOSE PROTECTOR	1
101	0807632	W/L OUTER BOOM WLMT 810 P/TILT	1
102	0807633	HOSE COVER WLMT	1
103	0908399	INNER WHL LIFT BOOM ASSEMBLY	1
104	3012-794003	BAR - SPACER	1
105	3012-794004	PLATE - U/L PAD CAGE 3014-9400	1
106	545-0508000	WASHER, FLAT, 1/2" HARDENED	8
107	807500001	PIN - EXTEND	1
108	810040004	SMALL SHEAVE - 2-GROOVES 4"	1
109	896040002	NYLATRON - 6 X 1 1/2 X	4
110	9053713	FLG BEARING 1.5"ID OILITE	2
111	9055062	5/8 DIA EXT. RETAINING RING	1
--	0908399	INNER WHL LIFT BOOM ASSEMBLY	
112	0806840	BOOM INNER STINGER EXPRESS WLD	1
--	0910522	MAIN BOOM ASSY, 810 POWERTILT	
113	0300113	GREASE FITTING, 1/4-28 STRAIGHT	3
114	0301334	CATERPILLER GROMMET -1/2	1
115	0301522	FITTING, CONN. 6MJ-6MB	2
116	0301696	FITTING, ELB 90 DEG 6MJ-6FJX90	2
117	0301778	6MJ - 10MB STRAIGHT CONNECTOR	2
118	0301895	GREASE FITTING, STR 1/8 PTF	1
119	0302604	HOSE HYD, 44"	2
120	0303521	SPRING, EXT HOSE TENSION	1
121	0306688	TIMBREN SPRING 180 AEON 2 7/8"	1
122	0310579	CYLINDER 4.0 BORE 19.5 STROKE	1
123	0310777	WINCH, 8000SP2 W/TENSIONER	1
124	0310791	HARNES, PROX - SELF LEVEL	1
125	0400070	1/4-20X1 HHCS GR5 ZP	8
126	0400078	1/4-20X2 HHCS GR5 ZP	1
127	0400109	5/16-18X1 HHCS GR5 ZP	4
128	0400122	3/8-16X1.25 HHCS GR5 ZP	1
129	0400141	3/8-16X7/8 HHCS GR5 ZP	1
130	0400181	1/2-13X1.5 HHCS GR5 ZP	8
131	0400185	1/2-13X2.5 HHCS GR5 ZP	1
132	0400367	1/4-20 NYLOK HEX NUT ZP	3
133	0400398	3/8-16 NYLOK HALF-NUT ZP	1
134	0400451	1/4 FLATWASHER ZP	8
135	0400452	1/4" HELICAL LCKWASHR ZP	6
136	0400464	5/16" HELICAL LCKWSHR ZP	4
137	0400474	5/8(.635)X .020 SHIM WASHER	2

Section I - PARTS (cont'd)

PARTS LIST 440PT GEN 2 (cont'd)

ITEM	PART NUMBER	DESCRIPTION	QTY
--	0910522	MAIN BOOM ASSY, 810 POWERTILT (cont'd)	
138	0400475	5/8(.635)X .031 SHIM WASHER	2
139	0400476	5/8(.635)X .062 SHIM WASHER	2
140	0400480	3/8 FLATWASHER ZP	2
141	0400491	1/2" HCL LKWSHR ZP	8
142	0400506	5/8 FLATWASHER ZP	2
143	0400606	5/8 X 1 1/4 SHOULDER BOLT	1
144	0708519	PLATE, COVER BOOM UPPER	1
145	0723174	PLT, WINCH SPACER 440/810	2
146	0807559	810 & 440 P/TILT BOOM WLMT	1
147	0807675	TENSIONER COVER, 810 P/T BOOM	1
148	3014-700006	FOLD PIN 810 POWER TILT	1
149	805180000	SHEAVE HOUSING ASSEMBLY	1
150	806750108	HOSE ASSY FOLD MEGA TOUGH MTL.	2
151	810040004	SMALL SHEAVE - 2-GROOVES 4"	1
152	810040006	HOSE RETAINING ANGLE - BOOM AS	1
153	810041500	TENSIONER BRACKET WELD'T	1
154	810770003	4M2T 6FJX-6FJX90S 99" HOSE	2
155	810770011	HOSE 4M2T 6FJX90S-6FJX 77"	2
156	810770012	HOSE 4M3KMTF 6FJX-4FJX 157"	2
157	9055275	SNAP RING EXT.2 3/4" 5160-275	1
158	9056150	RETAINING RING - 1 1/2	2
159	DE1381	1/2 WASHER SAE 17/32 ID	8
160	FC41	FITTING-90DEG BLKHD ELB W/ NUT	2
--	0910604	VALVE ASSY, 810 SGL WIN P/TILT	
161	0300041	FITTING, CONNECTOR 8MJ-8MB	1
162	0301388	FITTING, 90ELL, 8MJ-8MB90	1
163	0301522	FITTING, CONN. 6MJ-6MB	4
164	0307460	FITTING, HYD 6MJ-6MB90LL	6
165	0310573	VALVE, 5 SPOOL 810 PWRTILT	1
--	0910933	HYD TANK ASSY, NARROW	
166	0310296	FILTR HEAD ASSY W' ELEMENT	1
167	0310462	PLUG - 3/4 NPT HEX - MAGNETIC	1
168	0400118	5/16-18X3/4 HHCS GR5 ZP	2
169	0400464	5/16" HELICAL LCKWSHR ZP	2
170	0400748	5/16-18 X 1/4 SET SCR ALLEN HD	2
171	0807895	HYD TANK WLMT, NARROW	1
172	9011011	1/4 SQ HD PIPE PLUG	1
173	9012839	1 PIPE PLUG	1
174	9018131	BREATHER CAP (LUCAS) 3/4	1
--	0912038	SHIP KIT, 440PT GEN 2	
175	0311526	LIGHT TAG&BRACKET BLACK LED	1
176	0501845	PARTS MANUAL, 440 GEN 2	1
177	0725482	HOSE, SUCTION 17' (1" ID)	1
178	0730082	BOOM DRESSUP PLT	1
179	0911571	FASTENER KIT - POWER TILT PROX	1
180	0912039	SHIP KIT BOX, 440PT GEN 2	1

Section I - PARTS (cont'd)

PARTS LIST 440PT GEN 2 (cont'd)

ITEM	PART NUMBER	DESCRIPTION	QTY
--	0912038	SHIP KIT, 440PT GEN 2 (cont'd)	
181	124004505	812 REMOTE SYS, STD HANDHELD	1
--	0911571	FASTENER KIT - POWER TILT PROX	
182	0311866	P-CLAMP, 1/4 BLACK	2
183	0400016	8-32X1 FL PHL HD MCH SC	4
184	0400352	8-32 NYLOK NUT(9043395)	4
185	0400357	10-32 NYLOK HEX NUT ZP	2
186	0400450	10 FLATWASHER SAE ZP	6
187	0400846	#10-32 X 7/8 PHILLIPS PAN HEAD	2
--	0912039	SHIP KIT BOX, 440PT GEN 2	
188	0300134	CLAMP, 1" HOSE INSULATED	6
189	0300143	WIRE, 16 GA GREEN	2
190	0300144	WIRE, 16 GA YELLOW	2
191	0301941	WIRE, 16 GA BROWN	2
192	0301950	7 COND ELEC CABLE	25
193	0302396	WIRE, 12 GA DARK BLUE	2
194	0302431	CONVOLUTED LOOM - 3/8	2
195	0303051	WIRE ROPE 3/8X6X19 IPS 100'-5"	1
196	0303226	80 AMP CIRCUIT BREAKER	1
197	0306979	DOUBLE SIDE TAPE-3/4	6
198	0307544	SWING CHECK VALVE, 1" BRONZE	1
199	0400286	3/4-10X2.75" HHCSGR 8GOLD	2
200	0400367	1/4-20 NYLOK HEX NUT ZP	6
201	0400430	3/4-10 NYLOK HEXNUT ZP	2
202	0400454	1/4 STAINLESS FLATWASHER	6
203	0400510	3/4 FLATWASHER ZP	4
204	0402021	BOLT, SS 1/4-20 NC X 1 HHCS	6
205	0501003	DECAL - D RING	2
206	0501169	PLATE - HOLMES - NAME, PLASTIC	2
207	0501844	OWNER'S MANUAL, 440 GEN 2	1
208	0807641	PROX MTG BRKT WLMT	1
209	0906401	TIE-DOWN STRAP ASSY (EXPRESS)	2
210	0908290	KIT BOX, MODULAR - SHIP KIT	1
211	523-1005300	TERMINAL,10/12GA 10 RING/SHRNK	2
212	523-1402300	TERMINAL, 14GA BUTT/SHRINK BLU	2
213	523-1405300	TERMINAL, 14GA 10 RING/SHRINK	6
214	810960002	D RING PLATE - SHIP KIT BOX	2
215	9033194	WARNING DECAL MOVING PAR	1
216	9033198	DECAL-SAFETY CHAINS	2
217	GO138B	MUD FLAP BLACK W/RAISED	2
218	HC1335	PIPE NIPL-1" CLOSED THR	1
--	0906401	TIE-DOWN STRAP ASSY (EXPRESS)	
219	0306724	STRAP-8' W/SLEEVE & HOOK	1
220	0306729	RATCHET ASSY W/HOOK	1
--	0908290	KIT BOX, MODULAR - SHIP KIT	
221	0906112	810 FITTING BAG	1

Section I - PARTS (cont'd)

PARTS LIST 440PT GEN 2 (cont'd)

ITEM	PART NUMBER	DESCRIPTION	QTY
--	0908290	KIT BOX, MODULAR - SHIP KIT (cont'd)	
222	0907280	806,807,810 SS BOLT BAG	1
223	0908289	LIGHT PARTS BAG - 301M	1
224	804500001	MUD FLAP BACK-UP STRIP	2
225	810960001	CHAIN POCKET PLATE -SHIP KIT B	2
226	9018092	HOSE CLAMP HS24 *	2
227	9025068	REFLECTOR-PETERSON B489R DECAL	2
--	0906112	810 FITTING BAG	
228	0300056	FITTING, BARB 16C4-16MP	1
229	0300134	CLAMP, 1" HOSE INSULATED	5
230	0303290	INSULATED CLAMP 2 1/2	3
231	0303373	CLAMP INSULATED 2"	3
232	0303564	PIPE, 1" NPT PLUG - MALE	1
233	HC1335	PIPE NIPL-1" CLOSED THR	1
--	0907280	806,807,810 SS BOLT BAG	
234	0400057	1/4-20X1.25 HHCS	6
235	0400070	1/4-20X1 HHCS GR5 ZP	6
236	0400177	1/2-13X1.25 HHCS GR5 ZP	4
237	0400185	1/2-13X2.5 HHCS GR5 ZP	8
238	0400343	1/2-13X2HHCS GR 8 ZP	18
239	0400367	1/4-20 NYLOK HEX NUT ZP	12
240	0400408	1/2-13 NYLOK HEX NUT ZP	12
241	0400416	1/2-13 NYLOK GR 8 YZ PLT	18
242	0400426	5/8-11 GR 8 NYLOK NUT YZ PLT	10
243	0400451	1/4 FLATWASHER ZP	24
244	0400452	1/4" HELICAL LCKWASHR ZP	2
245	0400492	1/2" FLATWASHER ZP	24
246	0400497	1/2" FLAT WASHER GR 8 YZ PLT	36
247	0400503	5/8" FLATWASHER GR8 YZ PLT	20
248	0402043	3/8-16NC X 1 1/4 HHCS SS	16
249	0402120	3/8 FLATWASHER 316 SS	32
250	0402123	NUT, 3/8-16 NYLOCK SS	16
251	9041605	5/8 NC X 2 HHCS PL GR8	10
252	9046527	POP RIVET 3/16 X7/16 AL	20
253	9046572	POP RIVET-1/8 X.500 GRIP	6
--	0908289	LIGHT PARTS BAG - 301M	
254	0300134	CLAMP, 1" HOSE INSULATED	6
255	0302062	WIRE TIE 21"	20
256	0303677	BACK UP ALARM - 12 / 24 VOLT	1
257	0400070	1/4-20X1 HHCS GR5 ZP	2
258	0400367	1/4-20 NYLOK HEX NUT ZP	2
259	124001934	4 WAY SOCKET	1
260	523-1405300	TERMINAL, 14GA 10 RING/SHRINK	2
261	9032053	GROMMET-RUBBER MCMAST. 5/8X1/8	2
262	GV57	RUBBER GROMMET,ATLANTIC	2

Section I - PARTS (cont'd)

PARTS LIST 440 NON PT GEN 2

ITEM	PART NUMBER	DESCRIPTION	QTY
--	120440400	440 NON PT GEN 2	
1	0912040	BUA, 440 NON PT GEN 2	1
2	0912041	SHIP KIT, 440 NON PT GEN 2	1
--	0912040	BUA, 440 NON PT GEN 2	
3	0301895	GREASE FITTING,STR 1/8 PTF	2
4	0302604	HOSE HYD, 44"	2
5	0302726	GREASE FITTING, 1/4-28 X 45DEG	2
6	0302757	FITTING, CONN 8MJ - 16MB	1
7	0306680	RUBBER "T" MOUNTS LTI 20203	4
8	0307383	CHAIN ASSY 5/16 G7 X 12'	2
9	0307663	HOSE, HYD ASSY 185" LGTH 90	1
10	0310333	PLUG - 8MJ	1
11	0400002	4X1/4 DRIVE SCREW RD HD	4
12	0400059	1/4-20X5/8 HHCS GR5 ZP	2
13	0400062	1/4-20X3/4 THRD CUT HEX	3
14	0400070	1/4-20X1 HHCS GR5 ZP	4
15	0400126	3/8-16X1 HHCS GR5 ZP.	4
16	0400126	3/8-16X1 HHCS GR5 ZP.	1
17	0400133	3/8-16X3 HHCS GR5 ZP	1
18	0400138	3/8-16X2 SQ.HD.SET SCREW	2
19	0400146	3/8-16X2.25 HHCS GR5 ZP	2
20	0400181	1/2-13X1.5 HHCS GR5 ZP	4
21	0400349	3/8-16X3/4 FLT SOC HD	1
22	0400367	1/4-20 NYLOK HEX NUT ZP	9
23	0400392	3/8-16 NYLOK HEX NUT ZINC	2
24	0400408	1/2-13 NYLOK HEX NUT ZP	4
25	0400451	1/4 FLATWASHER ZP	9
26	0400480	3/8 FLATWASHER ZP	1
27	0400482	3/8" HELICAL LCKWSHR - ZP	1
28	0400505	5/8" SAE WASHER	2
29	0400606	5/8 X 1 1/4 SHOULDER BOLT	1
30	0501422	PLATE-SERIAL&DATA 804,807,810	1
31	0719519	SHIM - BOOM PIVOT (0.0747 THK)	2
32	0719520	SHIM - BOOM PIVOT (.1196 THK)	2
33	0730187	JUNCTION BOX PLATE EXP,810,812	1
34	0807183	MAIN BOOM PIVOT PIN WLMT.	1
35	0807232	TUBE MOUNTING WELDT	2
36	0807649	SUBFRAME WLMT, 810 P/TILT	1
37	0908620	XBAR ASSY - RECESSED PINS	1
38	0910016	WHEEL LIFT BOOM ASSY	1
39	0910604	VALVE ASSY, 810 SGL WIN P/TILT	1
40	0910607	440 BOOM ASSY, SINGLE WINCH	1
41	0910933	HYD TANK ASSY, NARROW	1
42	805040011	VERTICAL BOOM GUIDE PAD	2
43	805351000	PIN WELD'T (LOWER LIFT C	1
44	810040004	SMALL SHEAVE - 2-GROOVES 4"	1
45	810050001	SLEEVE - CROSSBAR ASSEMBLY	1
46	810350001	PIN - STINGER PIVOT	1
47	810350500	PIN WELD'T - LOWER TILT CYL.	1

Section I - PARTS (cont'd)

PARTS LIST 440 NON PT GEN 2 (cont'd)

ITEM	PART NUMBER	DESCRIPTION	QTY
--	0912040	BUA, 440 NON PT GEN 2 (cont'd)	
48	810351000	PIN WELD'T - UPPER LIFTING CYL	1
49	810620500	WHEEL SPACER WELD'T	2
50	810710000	3.5" LIFT CYLINDER 10.44"STR.	1
51	810740001	WIRING HARNESS 810	1
52	810770015	HOSE 29" 4M2T 6FJX90S-6FJX	2
53	810770017	HOSE ASSY 32 8M2T 8FJX90S-8FJX	1
54	9043827	MAC.SCR 10-32X5/8 PAN PHIL HD	8
55	9043973	5/16-18X1 1/2 FL.HD.SOC.	8
56	9056150	RETAINING RING - 1 1/2	1
57	DE1381	1/2 WASHER SAE 17/32 ID	8
58	HD1447	1/4-20 WING NUT	4
--	0908620	XBAR ASSY - RECESSED PINS	
59	0300113	GREASE FITTING,1/4-28 STRAIGHT	3
60	0303844	CYL HYD - SWING L ARM	2
61	0303860	HOSE HYD, 10-3/4"	1
62	0303861	HOSE HYD, 18"	1
63	0303886	4 MB-PLUG	2
64	0400349	3/8-16X3/4 FLT SOC HD	2
65	0400428	5/8-11 FLEXLOC THIN HIGH	2
66	0400546	1/8X1-1/4 COTTER PIN	2
67	0400590	5/8X1-1/2 CLEVIS PIN	2
68	0400667	3/8-16X1/2 FLT SOC HD THRD LOK	2
69	0401006	5/8-11X5.5 FLT HD SCKT CAP SCW	2
70	0700166	WASHER, SPACER	4
71	0710092	WASHER, THRUST 6500 W/L	2
72	0713885	PIN - CYLINDER(L ARM END)	2
73	0806978	LEFT "L" ARM WELD'T	1
74	0806979	RIGHT "L" ARM WELD'T	1
75	0806980	CROSSBAR WELD'T - EXPRESS	1
76	0806981	PIVOT PIN WELD'T	1
77	0806982	PIN WELD'T - "L" ARM PIVOT	2
78	E300002	BEARING	2
79	HC1291	FITTING, 4MJ-4MB STR THR	6
80	HD0106	1/4X1.75SPRING PIN ZP	2
--	0910016	WHEEL LIFT BOOM ASSY	
81	0301397	GREASE FITTING,1/4-28 X 90 DEG	2
82	0301522	FITTING, CONN. 6MJ-6MB	2
83	0303020	CYL HYD EXT - EB3 (J13)	1
84	0306819	PAD - SLIDE (2 1/4 DIA UHMW)	2
85	0400059	1/4-20X5/8 HHCS GR5 ZP	6
86	0400121	3/8-16X3/4 HHCS GR5 ZP	4
87	0400128	3/8-16X1.25 FLAT HD SOC	4
88	0400139	3/8-16X1.5 HEX SKT SET	1
89	0400154	3/8-16X1/2 HHCS GR5 ZP	1
90	0400184	1/2-13X2.25 HHCS GR 8	4
91	0400204	1/2-13X3/4 SKT HD SET	2
92	0400392	3/8-16 NYLOK HEX NUT ZINC	4

Section I - PARTS (cont'd)

PARTS LIST 440 NON PT GEN 2 (cont'd)

ITEM	PART NUMBER	DESCRIPTION	QTY
--	0910016	WHEEL LIFT BOOM ASSY (cont'd)	
93	0400398	3/8-16 NYLOK HALF-NUT ZP	1
94	0400410	1/2-13 HEX JAM NUT ZP	2
95	0400416	1/2-13 NYLOK GR 8 YZ PLT	4
96	0400451	1/4 FLATWASHER ZP	6
97	0400452	1/4" HELICAL LCKWASHR ZP	6
98	0400463	5/16" FLATWASHER ZP.	2
99	0400464	5/16" HELICAL LCKWSHR ZP	1
100	0400476	5/8(.635)X .062 SHIM WASHER	1
101	0400480	3/8 FLATWASHER ZP	4
102	0400482	3/8" HELICAL LCKWSHR - ZP	4
103	0400503	5/8" FLATWASHER GR8 YZ PLT	1
104	0717674	SHIM, PAD SPACER	2
105	0718216	SHAFT, INNER TUBE CYLINDER	1
106	0718217	PLATE - CENTER	1
107	0719100	PLATE, HOSE PROTECTOR	1
108	0807072	BOOM OUTER STINGER 810 WLD	1
109	0807073	HOSE COVER WELD'T - WRECKER AS	1
110	0908399	INNER WHL LIFT BOOM ASSEMBLY	1
111	3012-794003	BAR - SPACER	1
112	3012-794004	PLATE - U/L PAD CAGE 3014-9400	1
113	545-0508000	WASHER, FLAT, 1/2" HARDENED	8
114	807500001	PIN - EXTEND	1
115	810040004	SMALL SHEAVE - 2-GROOVES 4"	1
116	896040002	NYLATRON - 6 X 1 1/2 X	4
117	9048166	DBL TUBE CLAMP SPAE-NAUR	1
118	9053713	FLG BEARING 1.5"ID OILITE	2
119	9055062	5/8 DIA EXT. RETAINING RING	1
--	0908399	INNER WHL LIFT BOOM ASSEMBLY	
120	0806840	BOOM INNER STINGER EXPRESS WLD	1
--	0910604	VALVE ASSY, 810 SGL WIN P/TILT	
121	0300041	FITTING, CONNECTOR 8MJ-8MB	1
122	0301388	FITTING, 90ELL, 8MJ-8MB90	1
123	0301522	FITTING, CONN. 6MJ-6MB	4
124	0307460	FITTING, HYD 6MJ-6MB90LL	6
125	0310573	VALVE, 5 SPOOL 810 PWRTILT	1
--	0910607	440 BOOM ASSY, SINGLE WINCH	
126	0300113	GREASE FITTING, 1/4-28 STRAIGHT	1
127	0300113	GREASE FITTING, 1/4-28 STRAIGHT	2
128	0301334	CATERPILLER GROMMET -1/2	1
129	0301522	FITTING, CONN. 6MJ-6MB	2
130	0301696	FITTING, ELB 90 DEG 6MJ-6FJX90	2
131	0301895	GREASE FITTING, STR 1/8 PTF	1
132	0303521	SPRING, EXT HOSE TENSION	1
133	0306688	TIMBREN SPRING 180 AEON 2 7/8"	1
134	0310777	WINCH, 8000SP2 W/TENSIONER	1
135	0400070	1/4-20X1 HHCS GR5 ZP	8

Section I - PARTS (cont'd)

PARTS LIST 440 NON PT GEN 2 (cont'd)

ITEM	PART NUMBER	DESCRIPTION	QTY
--	0910607	440 BOOM ASSY, SINGLE WINCH (cont'd)	
136	0400078	1/4-20X2 HHCS GR5 ZP	1
137	0400109	5/16-18X1 HHCS GR5 ZP	4
138	0400122	3/8-16X1.25 HHCS GR5 ZP	1
139	0400122	3/8-16X1.25 HHCS GR5 ZP	2
140	0400181	1/2-13X1.5 HHCS GR5 ZP	8
141	0400185	1/2-13X2.5 HHCS GR5 ZP	1
142	0400367	1/4-20 NYLOK HEX NUT ZP	3
143	0400398	3/8-16 NYLOK HALF-NUT ZP	1
144	0400451	1/4 FLATWASHER ZP	8
145	0400452	1/4" HELICAL LCKWASHR ZP	6
146	0400464	5/16" HELICAL LCKWSHR ZP	4
147	0400474	5/8(.635)X .020 SHIM WASHER	2
148	0400475	5/8(.635)X .031 SHIM WASHER	2
149	0400476	5/8(.635)X .062 SHIM WASHER	2
150	0400480	3/8 FLATWASHER ZP	2
151	0400480	3/8 FLATWASHER ZP	2
152	0400482	3/8" HELICAL LCKWSHR - ZP	2
153	0400491	1/2" HCL LKWSHR ZP	8
154	0400506	5/8 FLATWASHER ZP	2
155	0400606	5/8 X 1 1/4 SHOULDER BOLT	1
156	0708519	PLATE, COVER BOOM UPPER	1
157	0723174	PLT, WINCH SPACER 440/810	2
158	0807653	MAIN BOOM WLMT 440	1
159	0810191	CABLE TIE BACK - LH	1
160	805180000	SHEAVE HOUSING ASSEMBLY	1
161	806750108	HOSE ASSY FOLD MEGA TOUGH MTL.	2
162	810040004	SMALL SHEAVE - 2-GROOVES 4"	1
163	810040006	HOSE RETAINING ANGLE - BOOM AS	1
164	810040600	TENSIONER COVER WELD'T - BOOM	1
165	810041500	TENSIONER BRACKET WELD'T	1
166	810350002	PIN - UPPER TILT CYL.	1
167	810730000	CYL HYD FOLD 2 1/2"	1
168	810770003	4M2T 6FJX-6FJX90S 99" HOSE	2
169	810770011	HOSE 4M2T 6FJX90S-6FJX 77"	2
170	810770012	HOSE 4M3KMTF 6FJX-4FJX 157"	2
171	880010003	6AT2(6T90S-6FJ)41" E/CL	2
172	9055275	SNAP RING EXT.2 3/4" 5160-275	1
173	9055275	SNAP RING EXT.2 3/4" 5160-275	1
174	9056125	1.25 NOM HVY DUTY RET RING EXT	2
175	DE1381	1/2 WASHER SAE 17/32 ID	8
176	FC41	FITTING-90DEG BLKHD ELB W/ NUT	2
--	0910933	HYD TANK ASSY, NARROW	
177	0310296	FILTR HEAD ASSY W' ELEMENT	1
178	0310462	PLUG - 3/4 NPT HEX - MAGNETIC	1
179	0400118	5/16-18X3/4 HHCS GR5 ZP	2
180	0400464	5/16" HELICAL LCKWSHR ZP	2
181	0400748	5/16-18 X 1/4 SET SCR ALLEN HD	2
182	0807895	HYD TANK WLMT, NARROW	1

Section I - PARTS (cont'd)

PARTS LIST 440 NON PT GEN 2 (cont'd)

ITEM	PART NUMBER	DESCRIPTION	QTY
--	0910933	HYD TANK ASSY, NARROW (cont'd)	
183	9011011	1/4 SQ HD PIPE PLUG	1
184	9012839	1 PIPE PLUG	1
185	9018131	BREATHER CAP (LUCAS) 3/4	1
--	0912038	SHIP KIT, 440PT GEN 2	
186	0311526	LIGHT TAG&BRACKET BLACK LED	1
187	0501845	PARTS MANUAL, 440 GEN 2	1
188	0725482	HOSE, SUCTION 17' (1" ID)	1
189	0730082	BOOM DRESSUP PLT	1
190	0911571	FASTENER KIT - POWER TILT PROX	1
191	0912039	SHIP KIT BOX, 440PT GEN 2	1
192	124004505	812 REMOTE SYS, STD HANDHELD	1
--	0911571	FASTENER KIT - POWER TILT PROX	
193	0311866	P-CLAMP, 1/4 BLACK	2
194	0400016	8-32X1 FL PHL HD MCH SC	4
195	0400352	8-32 NYLOK NUT(9043395)	4
196	0400357	10-32 NYLOK HEX NUT ZP	2
197	0400450	10 FLATWASHER SAE ZP	6
198	0400846	#10-32 X 7/8 PHILLIPS PAN HEAD	2
--	0912039	SHIP KIT BOX, 440PT GEN 2	
199	0300134	CLAMP, 1" HOSE INSULATED	6
200	0300143	WIRE, 16 GA GREEN	2
201	0300144	WIRE, 16 GA YELLOW	2
202	0301941	WIRE, 16 GA BROWN	2
203	0301950	7 COND ELEC CABLE	25
204	0302396	WIRE, 12 GA DARK BLUE	2
205	0302431	CONVOLUTED LOOM - 3/8	2
206	0303051	WIRE ROPE 3/8X6X19 IPS 100'-5"	1
207	0303226	80 AMP CIRCUIT BREAKER	1
208	0306979	DOUBLE SIDE TAPE-3/4	6
209	0307544	SWING CHECK VALVE, 1" BRONZE	1
210	0400286	3/4-10X2.75" HHCSGR 8GOLD	2
211	0400367	1/4-20 NYLOK HEX NUT ZP	6
212	0400430	3/4-10 NYLOK HEXNUT ZP	2
213	0400454	1/4 STAINLESS FLATWASHER	6
214	0400510	3/4 FLATWASHER ZP	4
215	0402021	BOLT, SS 1/4-20 NC X 1 HHCS	6
216	0501003	DECAL - D RING	2
217	0501169	PLATE - HOLMES - NAME, PLASTIC	2
218	0501844	OWNER'S MANUAL, 440 GEN 2	1
219	0807641	PROX MTG BRKT WLMT	1
220	0906401	TIE-DOWN STRAP ASSY (EXPRESS)	2
221	0908290	KIT BOX, MODULAR - SHIP KIT	1
222	523-1005300	TERMINAL,10/12GA 10 RING/SHRNK	2
223	523-1402300	TERMINAL, 14GA BUTT/SHRINK BLU	2
224	523-1405300	TERMINAL, 14GA 10 RING/SHRINK	6
225	810960002	D RING PLATE - SHIP KIT BOX	2

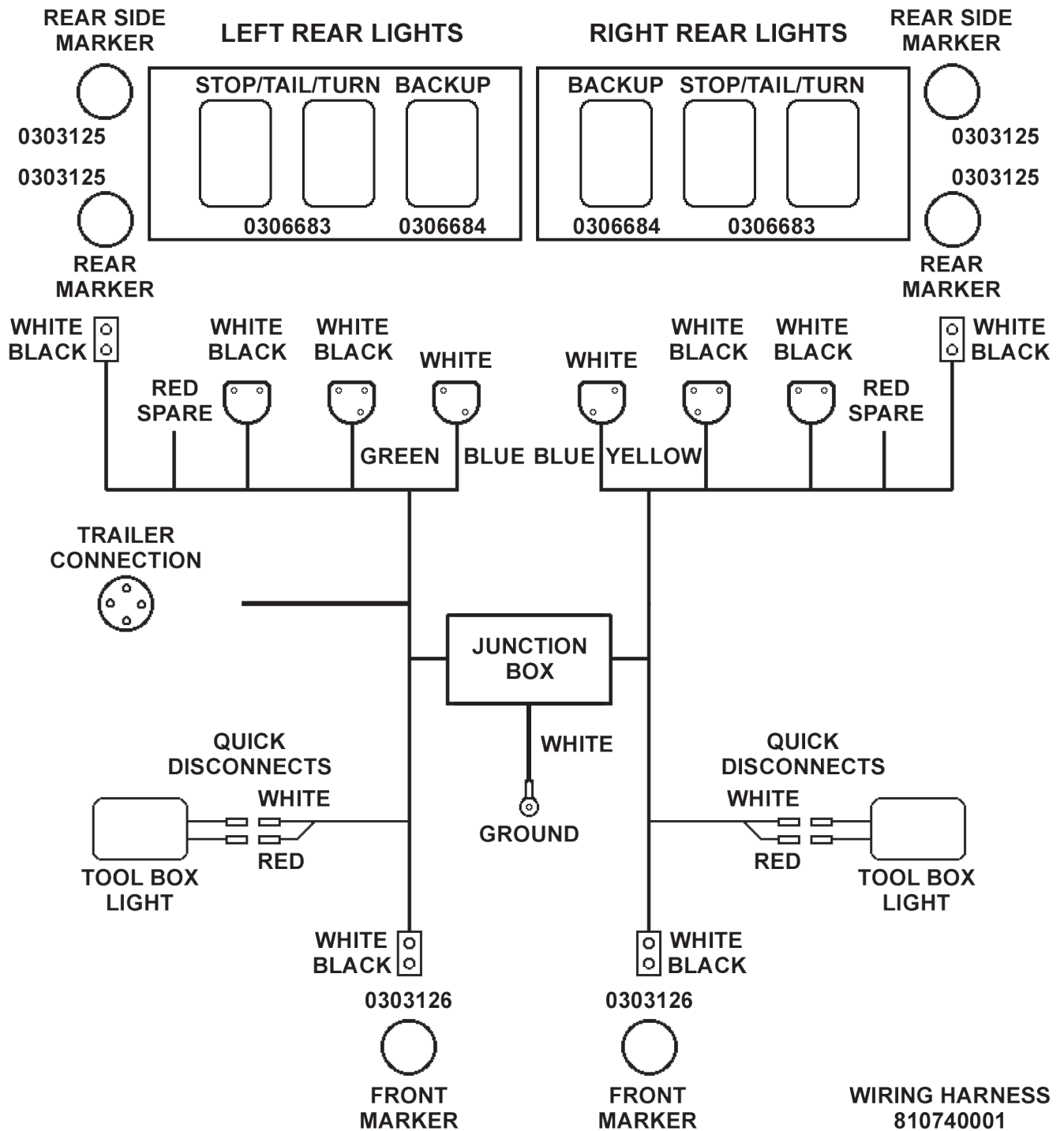
Section I - PARTS (cont'd)

PARTS LIST 440 NON PT GEN 2 (cont'd)

ITEM	PART NUMBER	DESCRIPTION	QTY
--	0912039	SHIP KIT BOX, 440PT GEN 2 (cont'd)	
226	9033198	DECAL-SAFETY CHAINS	2
227	GO138B	MUD FLAP BLACK W/RAISED	2
228	HC1335	PIPE NIPL-1" CLOSED THR	1

Section II - SCHEMATICS

WIRING HARNESS 810740001

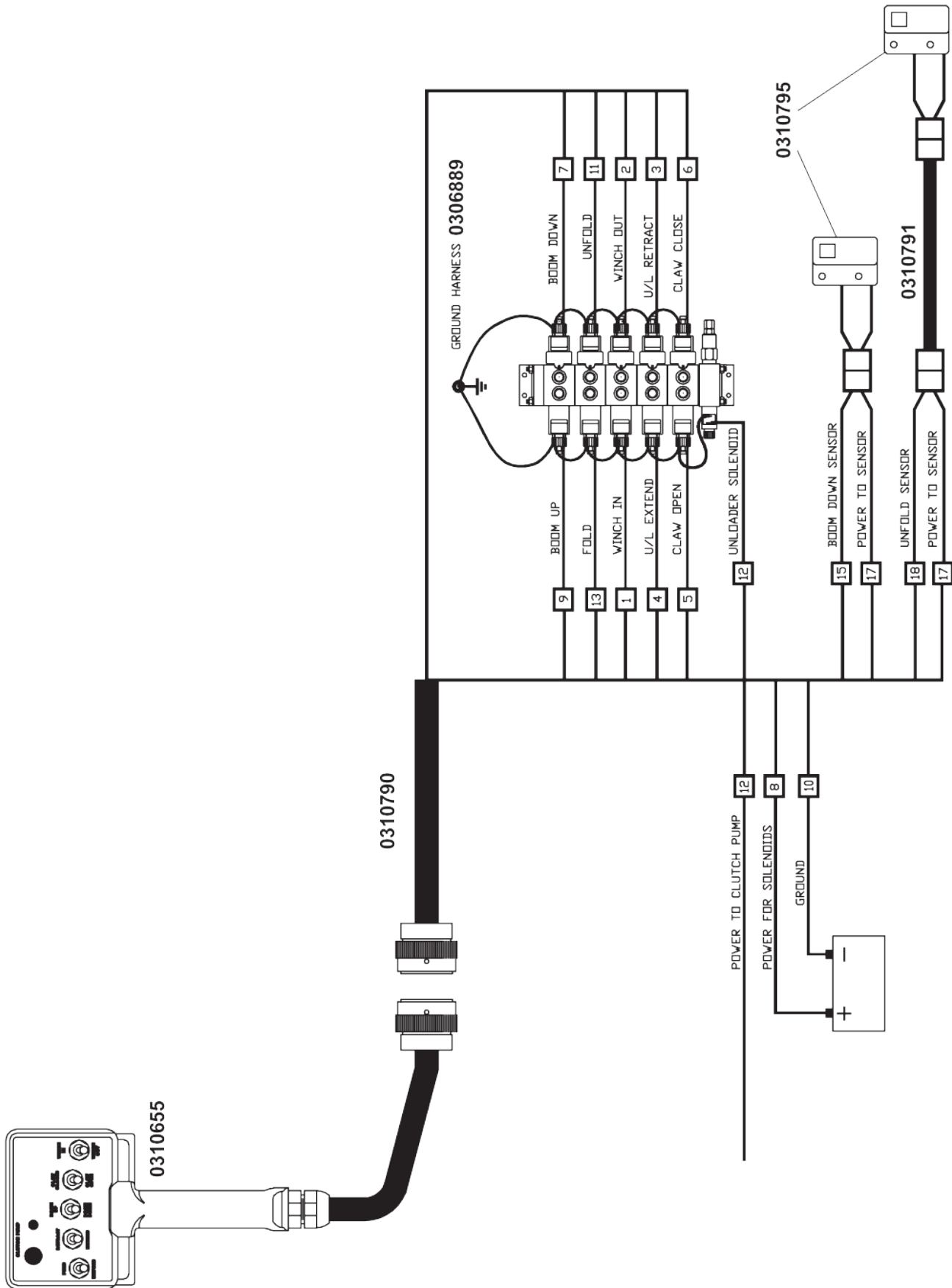


WIRING HARNESS
810740001

WIRE COLOR	USE FOR
WHITE	GROUND
BLACK	MARKER
YELLOW	LEFT TURN / BRAKE
GREEN	RIGHT TURN / BRAKE
RED	WORK / SPOT LIGHT
BLUE	BACK-UP LIGHT

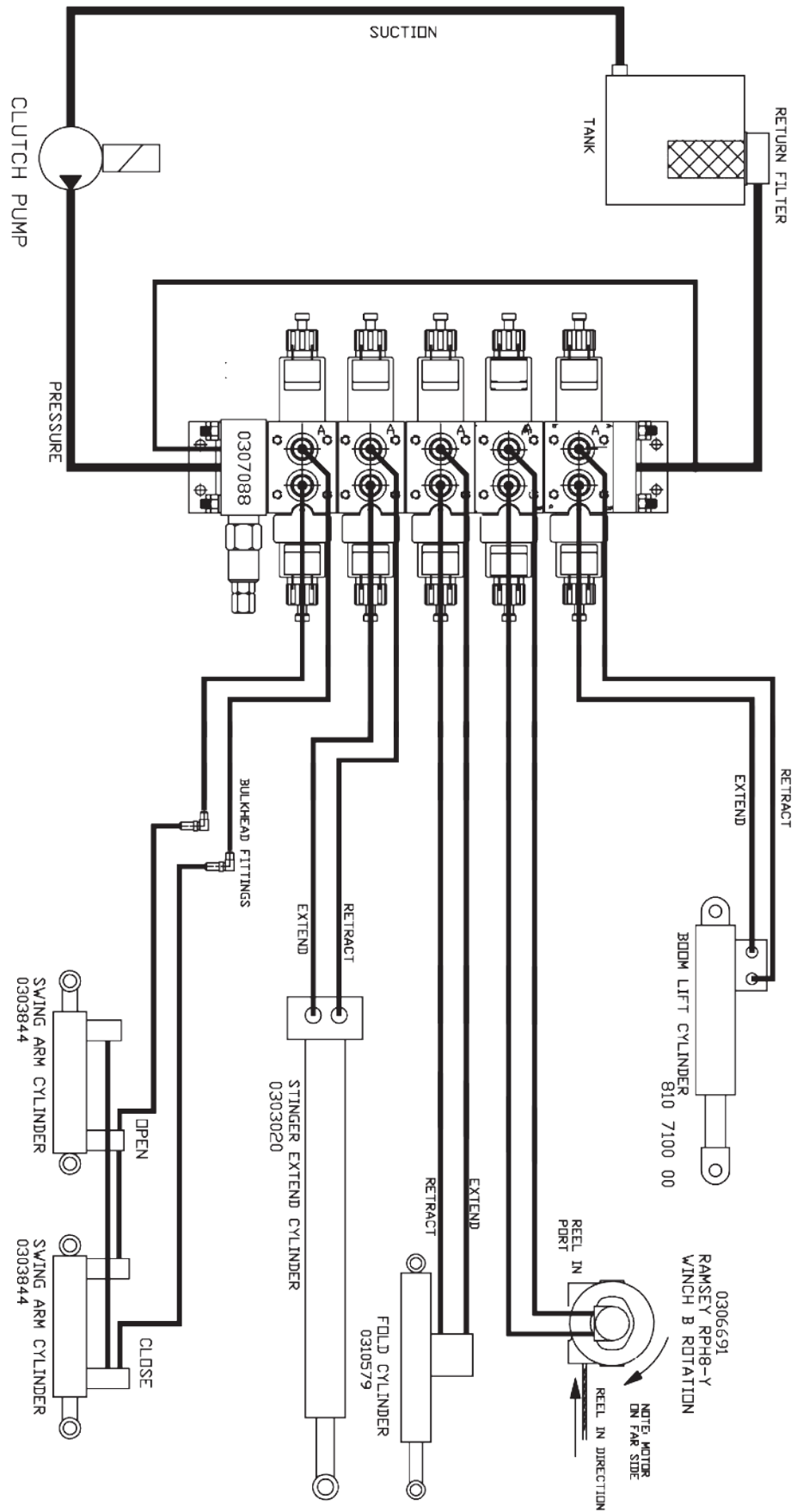
Section II - SCHEMATICS

ELECTRICAL SCHEMATIC



Section II - SCHEMATICS

HYDRAULIC SCHEMATIC





Miller Industries Towing Equipment Inc.
8503 Hilltop Drive • Ooltewah, Tennessee 37363 • (423) 238-4171
www.millerind.com