



## OWNER'S MANUAL

# MODEL EB-3 (SO1 & SO3)

## INSTALLATION, OPERATION, MAINTENANCE & PARTS

**NOTE: MANUAL including SPECIFICATIONS, subject to change without notice  
All ratings specified are based on structural factors only,  
not vehicle capacities or capabilities.**



Miller Industries Towing Equipment Inc.  
8503 Hilltop Drive  
Ooltewah, Tennessee 37363

FORM NO. 0500660  
12 / 97

Phone (423) 238-4171 • FAX (423) 238-5371

PRICE \$25.00

## LIMITED WARRANTY

MILLER INDUSTRIES TOWING EQUIPMENT INC., hereinafter referred to as MILLER, warrants to the original purchaser that each new MILLER wrecker or other MILLER products will be free from defects in material and workmanship for a period of twelve (12) months from date placed in service, but in no event shall such warranty period exceed twenty-four (24) months from date of manufacture by MILLER. The purchaser must promptly notify MILLER in writing of any failure in material or workmanship. In no event shall MILLER accept such notification later than twenty-four (24) months from date of delivery or twelve (12) months from date placed in service, whichever is earlier.

MILLER's obligation under this warranty, statutory or otherwise, is limited to the repair or replacement at the MILLER factory, or at a point designated by MILLER, of such part or parts as shall appear upon inspection by MILLER to be defective in material or workmanship. New or remanufactured parts will be used for any replacement at MILLER's option. This warranty is not transferable. This warranty does not obligate MILLER to bear the cost of labor or transportation charges in connection with the repair or replacement of any parts found to be defective, nor shall it apply to a product upon which repairs or alterations have been made unless authorized by MILLER.

EXCEPT AS EXPRESSLY SET FORTH IN THIS WARRANTY, MILLER MAKES NO OTHER WARRANTY, EXPRESS OR IMPLIED, AND HEREBY DISCLAIMS ALL OTHER WARRANTIES INCLUDING, BUT NOT LIMITED TO, THE IMPLIED WARRANTIES OF MERCHANTABILITY AND FITNESS FOR A PARTICULAR PURPOSE. MILLER shall in no event be liable for claimed downtime, claimed loss of profits or goodwill, or any other special, incidental, indirect, or consequential damages concerning or relating to any product or parts, whether based on negligence, strict liability, breach of contract, breach of warranty, misrepresentation or any other legal theory, regardless of whether the loss resulted from any general or particular requirement which MILLER knew or had reason to know about at the time of sale.

MILLER MAKES NO WARRANTY, EXPRESS OR IMPLIED, AS TO THE FINISHED PRODUCTS MANUFACTURED OR SUPPLIED BY ANOTHER MANUFACTURER AND SUPPLIED BY MILLER TO PURCHASER, including, but not limited to, any vehicle to which a MILLER product may be affixed or any accessories or wire rope, and MILLER EXPRESSLY DISCLAIMS ANY IMPLIED WARRANTIES OF MERCHANTABILITY OR FITNESS FOR A PARTICULAR PURPOSE AS TO SUCH EQUIPMENT OR PRODUCTS. This language shall in no way affect or diminish the rights of the purchaser to rely on such warranties as are extended by such manufacturers or suppliers. MILLER shall, to the extent permitted under applicable law, pass on to the purchaser such manufacturer's or seller's warranty.

MILLER, whose policy is one of continuous improvement, reserves the right to improve its products through changes in design or materials as it may deem desirable without being obligated to incorporate such changes in products previously sold. This warranty is not intended to cover or include the following items, which are set forth by way of example and not limitation:

- A. Normal deterioration of trim, paint, lettering, and appearance items due to wear or exposure to weather, road conditions, road treatments, etc.
- B. Any damage or defect due to accident, misuse, abuse, improper or unauthorized repairs, failure to provide reasonable and necessary maintenance, or uses for which the equipment was not designed or intended.
- C. Alterations or modifications that affect performance, operation or reliability.
- D. Normal maintenance parts including, but not limited to, wear pads, bushings, wire rope, mud flaps, fenderettes, light bulbs, hydraulic oil, filters, and tow sling belts.

**IT IS EXPRESSLY UNDERSTOOD THAT MILLER MAKES NO IMPLIED WARRANTY THAT MILLER PRODUCTS SHALL BE FIT FOR THE PURPOSE OF LIFTING OR MOVING PEOPLE OR FOR ANY OTHER IMPROPER USE.**



Miller Industries Towing Equipment Inc.  
8503 Hilltop Drive  
Ooltewah, Tennessee 37363

**SERIAL NUMBER**

Telephone (423) 238-4171

## Section VI - PARTS

This Section is provided by the manufacturer for the purpose of ordering any component part of the **EAGLE EB3 WRECKER** that may be required when part replacement is necessary. Be certain to use only original equipment replacement parts for warranty purposes as well as for keeping your **EAGLE EB3 WRECKER** in its original state and optimum operating capacities.

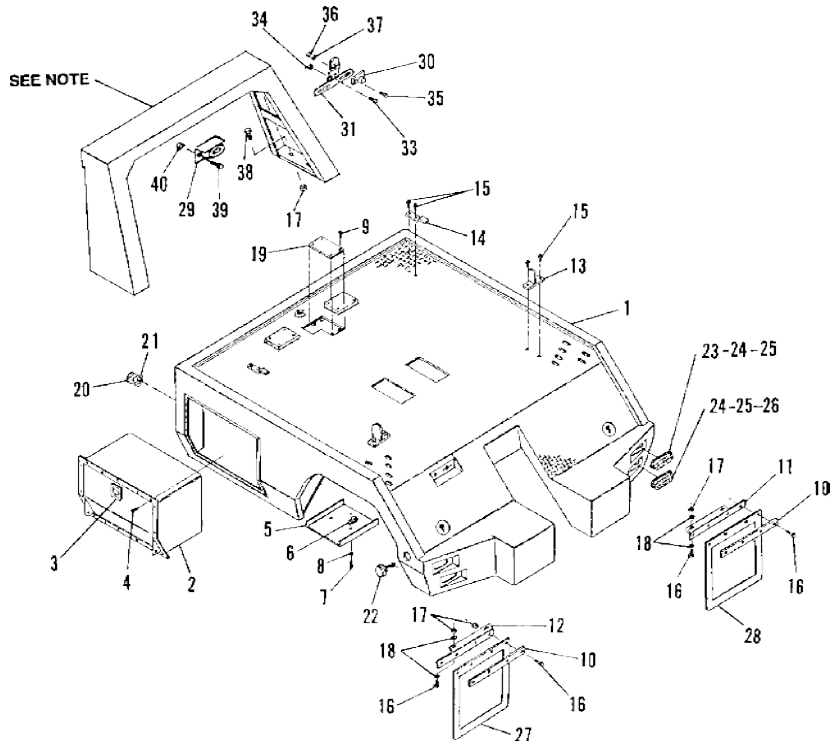
When ordering replacement or spare parts be sure to provide the following information to the manufacturer's **Parts Department**.

1. **Manual Number & Date of Publication**
2. **Manual Page Number**
3. **Page Title**
4. **Reference Number of Part Desired**
5. **Part Number**
6. **Part Description**
7. **Quantity of Part Desired**

Providing this information will help ensure that the correct parts will be delivered to you in an expedient manner without delay. Should additional information be required for repair or replacement of certain components, contact your Wrecker Manufacturer Authorized Representative.

The Manufacturer reserves the right, without notice or obligation, to improve or modify their products, which may change the specifications, models and feature availability.

## Section VI - PARTS (cont'd) BODY ASSEMBLY

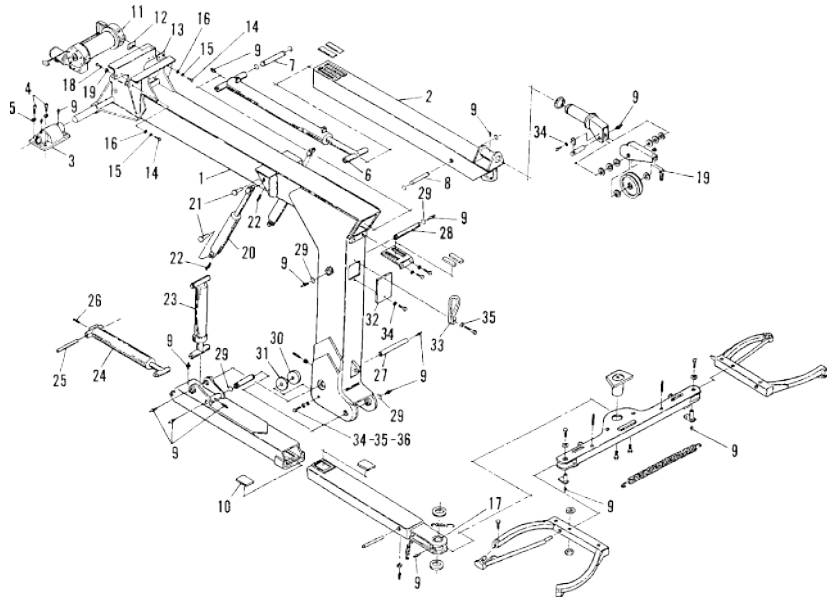


## Section VI - PARTS (cont'd) BODY ASSEMBLY

REF. NO.	NO. REQ'D	PART NUMBER	DESCRIPTION
1	1	0802629	BODY WELDMENT, 60 C.A.
2	1	0801258	TOOLBOX, 32"
3	1	0302855	LATCH, TOOL COMPARTMENT, PLAIN
4	16	0400567	RIVET, 1/8" X 1/4" POP
5	2	0704516	GUARD, CONTROL STATION
6	4	0400370	CLIP, 1/4" "U" TINNEMAN
7	4	0400066	SCREW, 1/4"-20 X 3/4" HEX HD CAP GR5 ZP
8	4	0400452	LOCKWASHER, 1/4" HELICAL
9	4	0400233	SCREW, 5/16"-18 X 1/2" HEX HD CAP GR5 ZP
10	2	0705092	BAR, MUD FLAP
11	1	0708809	MUD FLAP MOUNTING ANGLE, RIGHT
12	1	0708810	MUD FLAP MOUNTING ANGLE, LEFT
13	2	0802712	STORAGE BRACKET WELDMENT
14	2	0707510	STORAGE BRACKET
15	8	0400062	SCREW, 1/4"-20 X 3/4" THRD CUTTING
16	12	0400122	SCREW, 3/8"-16 X 1-1/4" HEX HD CAP GR5 ZP
17	12	0400392	NUT, 3/8"-16 HEX NYLOK
18	8	0400480	WASHER, 3/8" FLAT
19	1	0708931	ACCESS COVER
20	2	0301742	SEALED MARKER LIGHT, AMBER
21	4	0301740	GROMMET MOUNTING KIT W/ PLUG
22	2	0301741	SEALED MARKER LIGHT, RED
23	2	0301390	STOP & TURN LIGHT BODY
24	4	0304124	STOP & TURN BEZEL
25	8	0304123	SCREW FOR BEZEL
26	2	0302201	BACKUP LIGHT
27	1	AWS-9020-A-D	MUD FLAP, LEFT
28	1	AWS-9020-A-P	MUD FLAP, RIGHT
29	1	0303061	BACK UP ALARM
30	1	0300273	LICENSE PLATE ILLUMINATOR
31	1	0300076	LICENSE PLATE BRACKET
32	2	0400057	SCREW, 1/4"-20 X 1-1/4" HEX HD CAP
33	2	0400070	SCREW, 1/4"-20 X 1" HEX HD CAP
34	2	0400367	NUT, 1/4"-20 HEX NYLOK
35	2	0400061	SCREW, 1/4"-20 X 3/4" PAN HD
36	2	0400366	NUT, 1/4"-20 HEX
37	2	0400452	LOCKWASHER, 1/4" HELICAL
38	4	0400141	SCREW, 3/8"-16 X 7/8" HEX HD CAP GR5 ZP
39	2	0400118	SCREW, 5/16"-18 X 3/4" HEX HD CAP GR5 ZP
40	2	0400382	NUT, 5/16"-18 HEX NYLOK

NOTE: CONTACT FACTORY FOR LIGHT BAR PYLON INFORMATION.

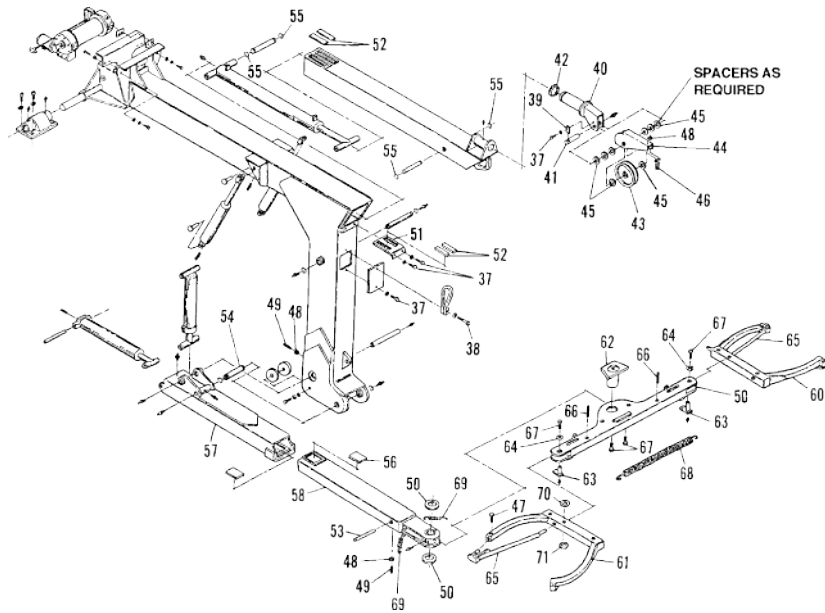
**Section VI - PARTS (cont'd)**  
**WRECKER ASSEMBLY - S01**  
**(Continued on Page VI-6)**



**Section VI - PARTS (cont'd)**  
**WRECKER ASSEMBLY - S01**  
**(Continued on Page VI-7)**

REF. NO.	NO. REQ'D	PART NUMBER	DESCRIPTION
1	1	0802556	MAIN BOOM WELDMENT
2	1	0802555	OUTER BOOM WELDMENT-SINGLE WINCH
3	2	3000B-28	TRUNION PIVOT WELDMENT
4	8	0400249	SCREW, 5/8"-11 X 1-1/4" SOC HD CAP
5	8	0400508	WASHER, 5/8" HELICAL LOCK
6	1	0302948	CYLINDER, BOOM EXTEND
7	1	0703082	PIN, EXTEND CYLINDER PIVOT
8	1	0705499	SHAFT, BOOM CYLINDER
9	18	0300113	GREASE FITTING
10	1	0303018	SLIDE PAD, NYLATRON
11	1	0302936	WINCH ASSEMBLY (LESS MOTOR)
12	2	0706668	SHIM, WINCH MOUNTING
13	2	0708518	SPACER, WINCH BUCKET
14	7	0400126	SCREW, 3/8"-16 X1-1/4" HEX HD CAP GR5 ZP
15	7	0400482	LOCKWASHER, 3/8" HELICAL
16	6	0400480	WASHER, 3/8" FLAT
17	1	0301914	BEARING, INNER BOOM
18	1	0400150	SCREW, 3/8"-16 X 2-1/2" HEX HD CAP GR5 ZP
19	1	0400393	NUT, 3/8"-16 HEX JAM
20	2	IT-27B	BOOM ELEVATION CYLINDER
21	4	BK-518	PIN, BOOM CYLINDER
22	4	BK-519	HAIR PIN, BOOM CYLINDER PIN
23	1	0302919	CYLINDER, UNDERLIFT FOLD
24	1	0301825	CYLINDER, UNDERLIFT EXTEND
25	1	0703345	SHAFT, UNDERLIFT EXTEND CYLINDER
26	1	0400120	SCREW, 1/4"-20 X 1/2" ALLEN HD SET
27	1	0708407	SHAFT, LOWER-TILT CYLINDER
28	1	0708408	SHAFT, UPPER-TILT CYLINDER
29	4	AWS-3022-A	SNAP RING
30	2	0708406	PAD, GUIDE
31	6	0708410	SHIM, GUIDE PAD
32	1	0708519	PLATE, COVER-BOOM UPPER
33	1	0301533	STRAP, 15" TIE DOWN
34	7	0400452	LOCKWASHER, 1/4" ZP
35	3	0400451	WASHER, 1/4" FLAT ZP
36	2	0400070	SCREW, 1/4"-20 X 1" HEX HD CAP GR5 ZP

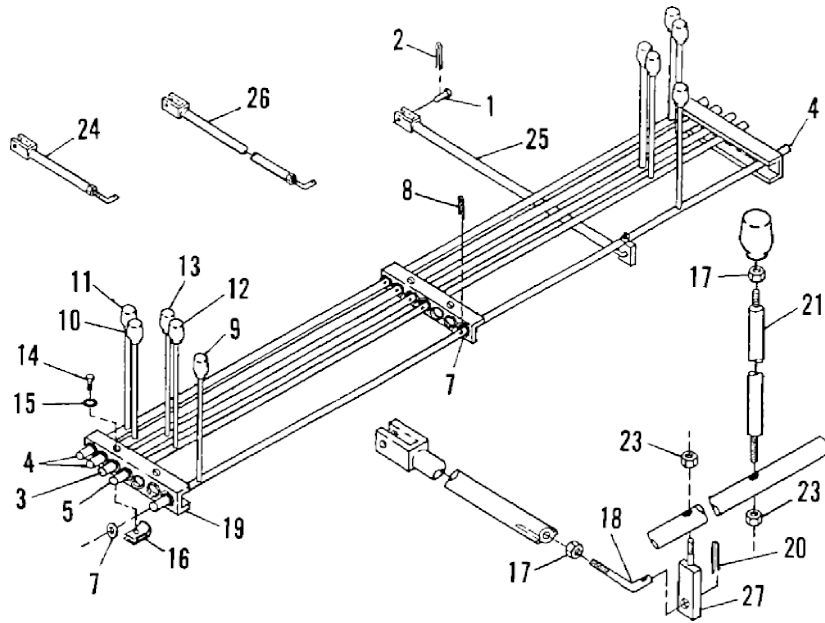
**Section VI - PARTS (cont'd)**  
**WRECKER ASSEMBLY - S01**  
**(Continued from Page VI-4)**



**Section VI - PARTS (cont'd)**  
**WRECKER ASSEMBLY - S01**  
**(Continued from Page VI-5)**

REF. NO.	NO. REQ'D	PART NUMBER	DESCRIPTION
37	4	0400060	SCREW, 1/4"-20 X 1/2" HEX HD CAP GR5 ZP
38	1	0400078	SCREW, 1/4"-20 X 2" HEX HD CAP GR5 ZP
39	1	0700032	SHAFT RETAINER
40	1	0800003	SWIVEL, BOOM END
41	1	0700056	SHAFT, SHEAVE
42	1	0300108	SNAP RING, 2-1/2" DIA EXTERNAL
43	1	0300022	SHEAVE, 6"
44	1	0800735	GUIDE, CABLE
45	2	0700166	WASHER, SPACER
46	1	0301531	"U" BOLT (FROM 3/8" CABLE CLAMP)
47	2	0400181	SCREW, 1/2"-13 X 1-1/2" HEX HD CAP GR5 ZP
48	4	0400392	NUT, 3/8"-16 HEX NYLOK
49	2	0400139	SCREW, 3/8"-16 X 1-1/2" HEX SKT SET
50	2	0703640	WASHER, THRUST
51	1	0708570	RETAINER, BOLT-ON PAD
52	4	0300679	BEARING PAD, NYLATRON
53	1	0702131	SHAFT, INNER TUBE CYLINDER
54	1	0708409	SHAFT, BOOM PIVOT
55	4	0300110	SNAP RING, 1"
56	1	0301850	SLIDE PAD, NYLATRON
57	1	0802748	OUTER BOOM WELDMENT - EB3
58	1	0802749	INNER BOOM WELDMENT - EB3
59	1	E801000	CROSSBAR
60	1	E801003	CLAW WELDMENT, RIGHT
61	1	E901002	CLAW WELDMENT, LEFT
62	1	0801073	PIVOT PIN WELDMENT
63	2	E801008	STANDARD CLAW PIVOT PIN WELDMENT
64	2	E700030	WASHER, STANDARD CLAW PIVOT PIN
65	2	E801020	TIRE ADAPTER WELDMENT
66	2	0400579	SPRING PIN, 3/8" X 4" ZP
67	4	0701956	SCREW, OUTER CROSS TUBE RET.
68	1	AWS-1011-A	SPRING, CLAW
69	2	AWS-1012-B	SPRING, CROSSBAR
70	4	AWS-1055-A	CLAW BEARING SHIM, THICK
71	2	AWS-1055-B	CLAW BEARING SHIM, THIN

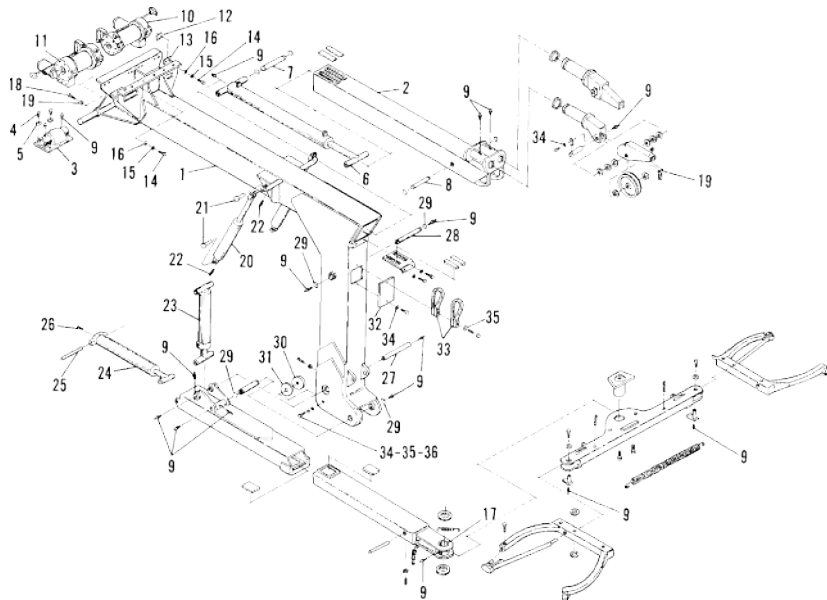
**Section VI - PARTS (cont'd)**  
**CONTROL & CROSSROD ASSEMBLY - S01**



**Section VI - PARTS (cont'd)**  
**CONTROL & CROSSROD ASSEMBLY - S01**

REF. NO.	NO. REQ'D	PART NUMBER	DESCRIPTION
1	5	0400527	CLEVIS PIN, 5/16" DIA COTTERLESS S.S.
2	5	0400541	COTTER PIN, 1/16" X 3/4"
3	1	0703528	CROSSROD - WHEEL LIFT
4	3	0704529	CROSSROD - WRECKER
5	1	0704530	CROSSROD - TILT
6	1	0703501	ANGLE, CROSSROD BEARING
7	15	0300122	GROMMET, SPLIT PLASTIC
8	10	0400539	COTTER, PIN, 3/16" X 1-1/2"
9	2	0300834	KNOB, CABLE IN/OUT (RED)
10	2	0300835	KNOB, WRECKER BOOM UP/DN (BLACK)
11	2	0300837	KNOB, WRECKER BOOM IN/OUT (BLACK)
12	2	0302917	KNOB, W/L IN/OUT (GREY)
13	2	0302856	KNOB, W/L TILT (GREY)
14	6	0400063	SCREW, 1/4"-20 X 1-1/2" LG HEX HD CAP
15	6	0400452	LOCKWASHER, 1/4" EXT TOOTH
16	6	0400370	CLIP, 1/4" TINNEMAN
17	15	0400393	NUT, 3/8"-16 JAM
18	—	0701099	EXTENSION, CONTROL ROD LONG
19	2	0704517	CHANNEL, CROSSROD BEARING
20	5	0400543	COTTER PIN, 1/8" X 3/4"
21	10	0704527	LEVER, CONTROL
22	5	0800604	ARM, CROSS CONTROL
23	15	0400390	NUT, 3/8"-16 JAM ESLOCK
24	—	0800612	CONTROL ROD, SHORT
25	—	0800613	CONTROL ROD, LONG
26	—	0800955	CONTROL ROD, MEDIUM
27	5	0800804	ARM, CROSSROD CONTROL

**Section VI - PARTS (cont'd)**  
**WRECKER ASSEMBLY - S03**  
**(Continued on Page VI-12)**

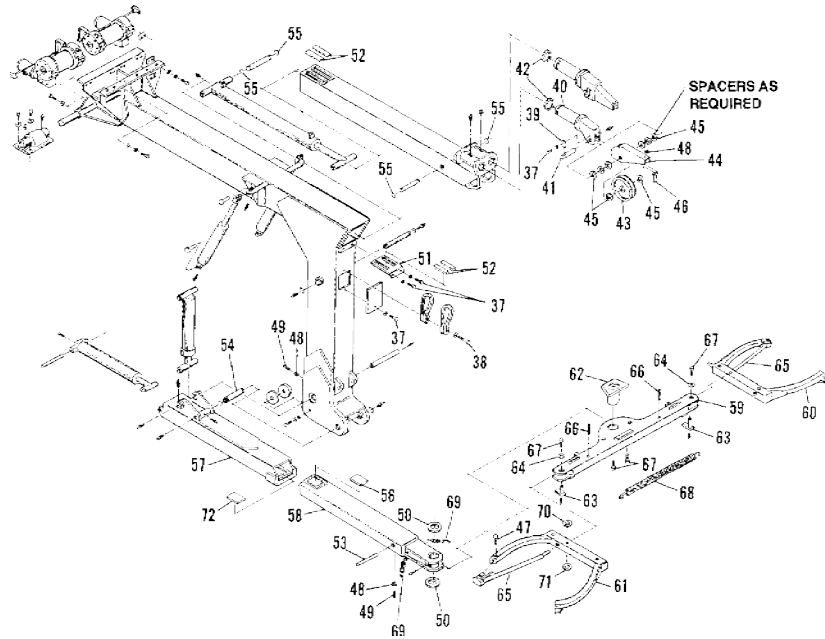


**Section VI - PARTS (cont'd)**  
**WRECKER ASSEMBLY - S03**  
**(Continued on Page VI-13)**

REF. NO.	NO. REQ'D	PART NUMBER	DESCRIPTION
1	1	0802557	MAIN BOOM WELDMENT
2	1	0802553	INNER BOOM WELDMENT - DUAL WINCH
3	1	3000B-28	TRUNION PIVOT WELDMENT
4	8	0400249	SCREW, 5/8"-11 X 1-1/4" SOC HD CAP
5	8	0400508	WASHER, 5/8" HELICAL LOCK
6	1	0302948	CYLINDER, BOOM EXTEND
7	1	0703082	PIN, EXTEND CYLINDER PIVOT
8	1	0705499	SHAFT, BOOM CYLINDER
9	20	0300113	GREASE FITTING
10	1	0302936	WINCH ASSEMBLY, RIGHT (LESS MOTOR)
11	1	0302937	WINCH ASSEMBLY, LEFT (LESS MOTOR)
12	4	0706668	SHIM, WINCH MOUNTING
13	4	0708518	SPACER, WINCH BUCKET
14	14	0400126	SCREW, 3/8"-16 X1-1/4" HEX HD CAP GR5 ZP
15	14	0400482	LOCKWASHER, 3/8" HELICAL
16	12	0400480	WASHER, 3/8" FLAT
17	1	0301914	BEARING, INNER BOOM
18	2	0400150	SCREW, 3/8"-16 X 2-1/2" HEX HD CAP GR5 ZP
19	2	0400393	NUT, 3/8"-16 HEX JAM
20	2	IT-27B	BOOM ELEVATION CYLINDER
21	4	BK-518	PIN, BOOM CYLINDER
22	4	BK-519	HAIR PIN, BOOM CYLINDER PIN
23	1	0302919	CYLINDER, UNDERLIFT FOLD
24	1	0301825	CYLINDER, UNDERLIFT EXTEND
25	1	0703345	SHAFT, UNDERLIFT EXTEND CYLINDER
26	1	0400120	SCREW, 1/4"-20 X 1/2" ALLEN HD SET
27	1	0708407	SHAFT, LOWER-TILT CYLINDER
28	1	0708408	SHAFT, UPPER-TILT CYLINDER
29	4	AWS-3022-A	SNAP RING
30	2	0708406	PAD, GUIDE
31	6	0708410	SHIM, GUIDE PAD
32	1	0708519	PLATE, COVER-BOOM UPPER
33	2	0301533	STRAP, 15" TIE DOWN
34	7	0400452	LOCKWASHER, 1/4" ZP
35	3	0400451	WASHER, 1/4" FLAT ZP
36	2	0400070	SCREW, 1/4"-20 X 1" HEX HD CAP GR5 ZP



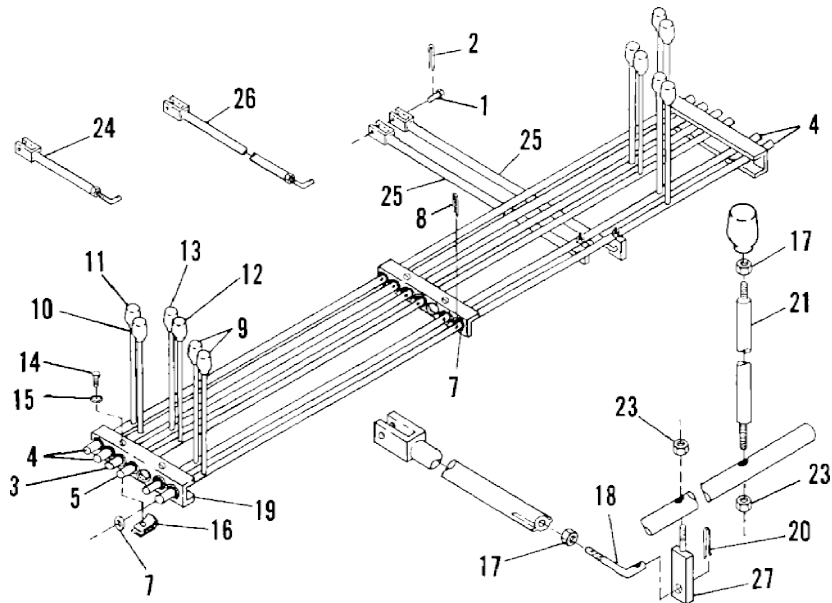
**Section VI - PARTS (cont'd)**  
**WRECKER ASSEMBLY - S03**  
**(Continued from Page VI-10)**



**Section VI - PARTS (cont'd)**  
**WRECKER ASSEMBLY - S03**  
**(Continued from Page VI-11)**

REF. NO.	NO. REQ'D	PART NUMBER	DESCRIPTION
37	5	0400060	SCREW, 1/4"-20 X 1/2" HEX HD CAP GR5 ZP
38	1	0400078	SCREW, 1/4"-20 X 2" HEX HD CAP GR5 ZP
39	2	0700032	SHAFT RETAINER
40	2	0800003	SWIVEL, BOOM END
41	2	0700056	SHAFT, SHEAVE
42	2	0300108	SNAP RING, 2-1/2" DIA EXTERNAL
43	2	0300022	SHEAVE, 6"
44	2	0800735	GUIDE, CABLE
45	4	0700166	WASHER, SPACER
46	2	0301531	U BOLT (FROM 3/8" CABLE CLAMP)
47	2	0400181	SCREW, 1/2"-13 X 1-1/2" HEX HD CAP GR5 ZP
48	6	0400392	NUT, 3/8"-16 HEX NYLOK
49	2	0400139	SCREW, 3/8"-16 X 1-1/2" HEX SKT SET
50	2	0703640	WASHER, THRUST
51	1	0708570	RETAINER, BOLT-ON PAD
52	4	0300679	BEARING PAD, NYLATRON
53	1	0702131	SHAFT, INNER TUBE CYLINDE
54	1	0708409	SHAFT, BOOM PIVOT
55	4	0300110	SNAP RING, 1"
56	1	0301850	SLIDE PAD, NYLATRON
57	1	0802748	OUTER BOOM WELDMENT - EB3
58	1	0802749	INNER BOOM WELDMENT - EB3
59	1	E801000	CROSSBAR
60	1	E801003	CLAW WELDMENT, RIGHT
61	1	E901002	CLAW WELDMENT, LEFT
62	1	0801073	PIVOT PIN WELDMENT
63	2	E801008	STANDARD CLAW PIVOT PIN WELDMENT
64	2	E700030	WASHER, STANDARD CLAW PIVOT PIN
65	2	E801020	TIRE ADAPTER WELDMENT
66	2	0400579	SPRING PIN, 3/8" X 4" ZP
67	4	0701956	SCREW, OUTER CROSS TUBE RET.
68	1	AWS-1011-A	SPRING, CLAW
69	2	AWS-1012-B	SPRING, CROSSBAR
70	4	AWS-1055-A	CLAW BEARING SHIM, THICK
71	2	AWS-1055-B	CLAW BEARING SHIM, THIN
72	1	0303018	SLIDE PAD, NYLATRON

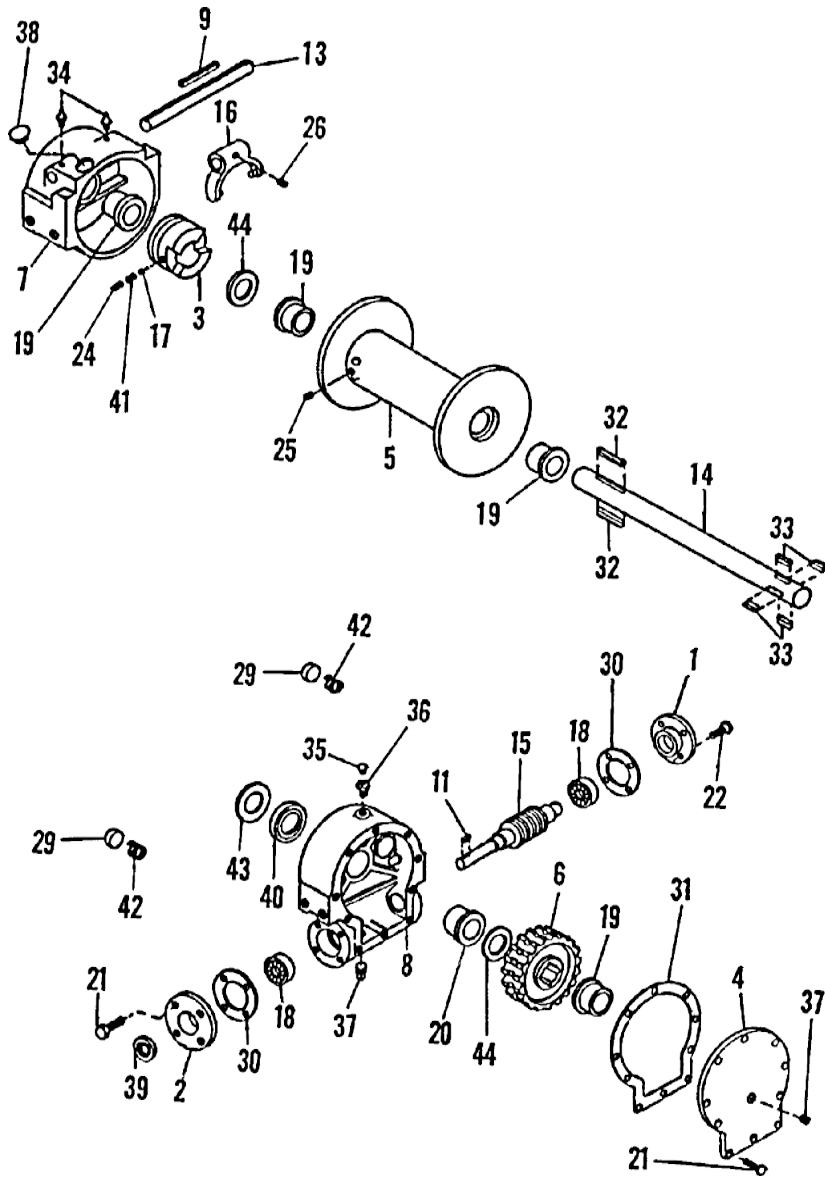
**Section VI - PARTS (cont'd)**  
**CONTROL & CROSSROD ASSEMBLY - S03**



**Section VI - PARTS (cont'd)**  
**CONTROL & CROSSROD ASSEMBLY - S03**

REF. NO.	NO. REQ'D	PART NUMBER	DESCRIPTION
1	6	0400527	CLEVIS PIN, 5/16" DIA COTTERLESS S.S.
2	6	0400541	COTTER PIN, 1/16" X 3/4"
3	1	0703528	CROSSROD - WHEEL LIFT
4	4	0704529	CROSSROD - WRECKER
5	1	0704530	CROSSROD - TILT
6	1	0703501	ANGLE, CROSSROD BEARING
7	18	0300122	GROMMET, SPLIT PLASTIC
8	12	0400539	COTTER, PIN, 3/16" X 1-1/2"
9	4	0300834	KNOB, CABLE IN/OUT (RED)
10	2	0300835	KNOB, WRECKER BOOM UP/DN (BLACK)
11	2	0300837	KNOB, WRECKER BOOM IN/OUT (BLACK)
12	2	0302917	KNOB, W/L IN/OUT (GREY)
13	2	0302856	KNOB, W/L TILT (GREY)
14	6	0400063	SCREW, 1/4"-20 X 1-1/2" LG HEX HD CAP
15	6	0400452	LOCKWASHER, 1/4" EXT TOOTH
16	6	0400370	CLIP, 1/4" TINNEMAN
17	18	0400393	NUT, 3/8"-16 JAM
18	—	0701099	EXTENSION, CONTROL ROD LONG
19	2	0704517	CHANNEL, CROSSROD BEARING
20	6	0400543	COTTER PIN, 1/8" X 3/4"
21	12	0704527	LEVER, CONTROL
22	6	0800604	ARM, CROSS CONTROL
23	18	0400390	NUT, 3/8"-16 JAM ESLOCK
24	—	0800612	CONTROL ROD, SHORT
25	—	0800613	CONTROL ROD, LONG
26	—	0800955	CONTROL ROD, MEDIUM
27	6	0800804	ARM, CROSSROD CONTROL

**Section VI - PARTS (cont'd)**  
**WINCH ASSEMBLY - HY246**



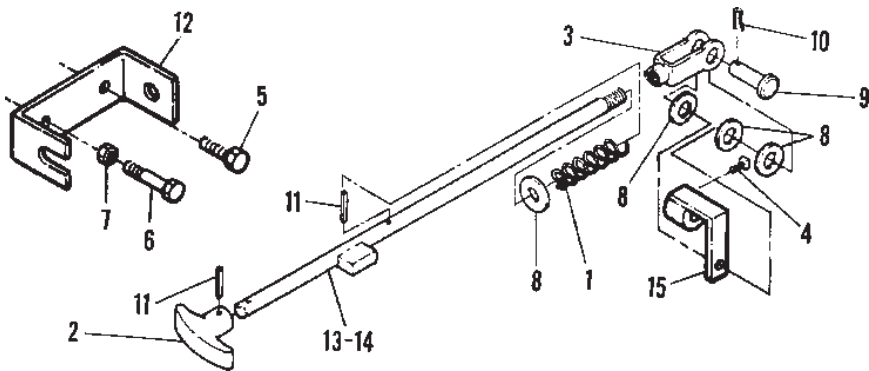
**Section VI - PARTS (cont'd)**  
**WINCH ASSEMBLY - HY246**

REF. NO.	NO. REQ'D	PART NUMBER	DESCRIPTION
1	1	316083	BEARING CAP
2	1	316084	BEARING CAP
3	1	324161	JAW CLUTCH
4	1	328134	COVER
5	1	332007	DRUM "Y"
6	1	334163	GEAR, RH, 46:1
7	1	338003	HOUSING, CLUTCH
8	1	338273	HOUSING, GEAR
9	1	342018	KEY
10	1	342024	KEY
11	1	342027	KEY
12	1	344008	LEVER, SHIFTER
13	1	356902	SHAFT, SHIFTER
14	1	357480	SHAFT, DRUM "Y"
15	1	368002	WORM, RH, 46:1
16	1	370001	YOKE
17	1	400001	BALL, POPPET
18	2	402002	BEARING, BALL
19	4	412003	BUSHING
20	1	412045	BUSHING
21	10	414038	CAPSCREW, 1/4-20 NC X 3/4 LG HEX HD GR5
22	8	414045	CAPSCREW, 1/4-20 NC X 7/8 LG HEX HD GR5
23	4	414282	CAPSCREW, 3/8-16 NC X 3/4 HEX HD GR5
24	1	416040	SETSCREW, 1/4-20 NC X 1-1/4 SOC HD LESS
25	1	416059	SETSCREW, 3/8-16 NC X 3/8 SOC HD LESS
26	1	416084	SETSCREW, 1/4-20 NC X 1/2 LG SQ HD
27	1	416109	SETSCREW, 5/16-18 NC X 1/2 LG SQ HD
28	4	418177	LOCKWASHER, 3/8" MED SECT CP
29	2	438014	DRAG BRAKE
30	2	442184	GASKET
31	1	442205	GASKET
32	2	450006	KEY, BARTH
33	4	450016	KEY, BARTH
34	2	456006	FITTING, LUBE
35	1	456008	FITTING, RELIEF
36	1	468002	REDUCER
37	2	468011	PIPE PLUG
38	1	472013	PLASTIC PLUG
39	1	486009	OIL SEAL
40	1	486017	OIL SEAL
41	1	494001	SPRING, POPPET
42	2	494002	SPRING
43	1	518014	THRUST WASHER
44	2	518015	THRUST WASHER

# Section VI - PARTS (cont'd)

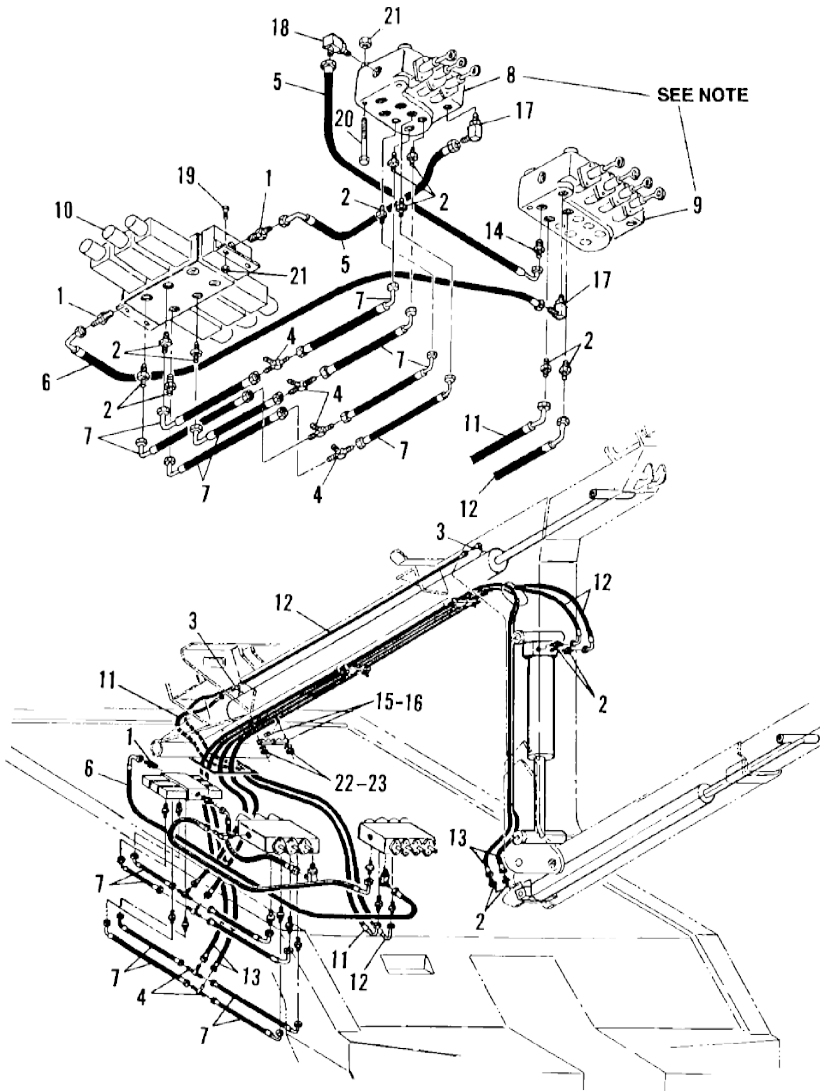
## WINCH CLUTCH CONTROL

2 ASSEMBLIES REQ'D FOR DUAL WINCH WRECKER



REF. NO.	NO. REQ'D	PART NUMBER	DESCRIPTION
1	1	0300845	SPRING, COMPRESSION
2	1	0301532	"T" HANDLE
3	1	0301588	ADJUSTING YOKE
4	1	0400116	SCREW, 5/16"-18 X 1/2" LG SQ HD SET
5	1	0400126	SCREW, 3/8"-16 X 1" LG HEX HD CAP
6	1	0400150	SCREW, 3/8"-16 X 2-1/2" LG HEX HD CAP
7	1	0400393	NUT, 3/8" - 16 JAM
8	4	0400492	WASHER, 1/2" FLAT
9	1	0400537	CLEVIS PIN, 1/2" DIA. X 1-1/2" LG
10	1	0400546	COTTER PIN, 1/8" X 1-1/4" LG
11	2	0400560	ROLL PIN, 5/32" X 1" LG
12	1	0702408	MOUNTING CHANNEL
13	1	0802613	CONTROL ROD, SINGLE WINCH
14	1	0802614	CONTROL ROD, DUAL WINCH
15	1	0800779	BELL CRANK WELDMENT

## Section VI - PARTS (cont'd) BOOM & UNDERLIFT HYDRAULICS



VI-20

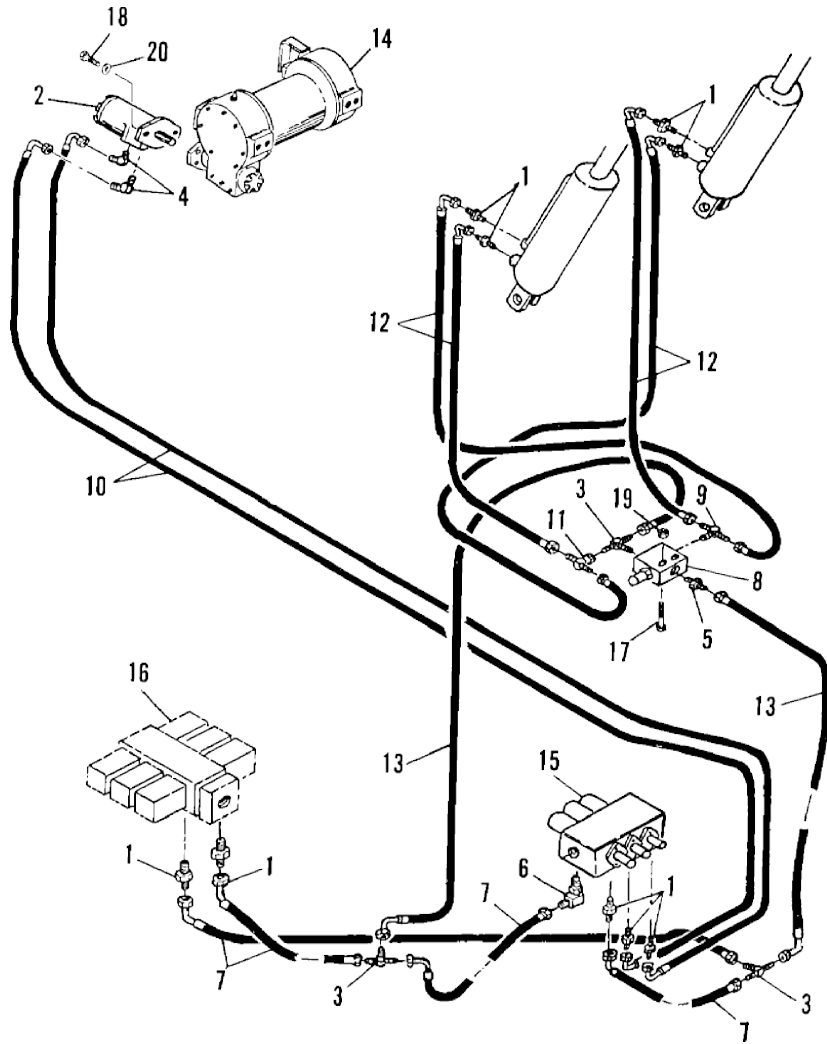
## Section VI - PARTS (cont'd) BOOM & UNDERLIFT HYDRAULICS

REF. NO.	NO. REQ'D	PART NUMBER	DESCRIPTION
1	2	0300041	O-RING CONNECTOR
2	12	0300044	O-RING CONNECTOR
3	2	0300142	ELBOW
4	4	0300206	BRANCH TEE
5	2	0301471	HOSE ASSEMBLY
6	1	0300787	HOSE ASSEMBLY
7	8	0301473	HOSE ASSEMBLY
8	1	0300010	VALVE, 3 SPOOL CONTROL
9	1	0302960	VALVE, 4 SPOOL CONTROL
10	1	0301883	SOLENOID VALVE
11	1	0301964	HOSE ASSEMBLY, CYLINDER BASE END
12	3	0301965	HOSE ASSEMBLY, CYLINDER ROD END
13	2	0302922	HOSE ASSEMBLY, 170"
14	1	0301780	O-RING CONNECTOR
15	6	0302546	CLAMP UNIT, 2 HOLE
16	12	0302549	BUSHING, 1/2" SPLIT
17	2	0300052	O-RING ELBOW, 90°
18	1	0301547	O-RING ELBOW, SAE 90°
19	4	0400122	SCREW, 3/8"-16 X 1-1/4" HEX HD CAP GR5 ZP
20	6	0400140	SCREW, 3/8"-16 X 4" HEX HD CAP GR5 ZP
21	10	0400392	NUT, 3/8"-16 HEX NYLOK
22	6	0400367	NUT, 1/4"-20 HEX NYLOK
23	6	0400451	WASHER, 1/4" FLAT

NOTE: S01 WRECKER REQUIRES TWO #8 VALVES.  
S03 WRECKER REQUIRES ONE #8 VALVE AND ONE #9 VALVE.

VI-21

**Section VI - PARTS (cont'd)**  
**BOOM ELEVATION & WINCH HYDRAULICS**  
**S01**



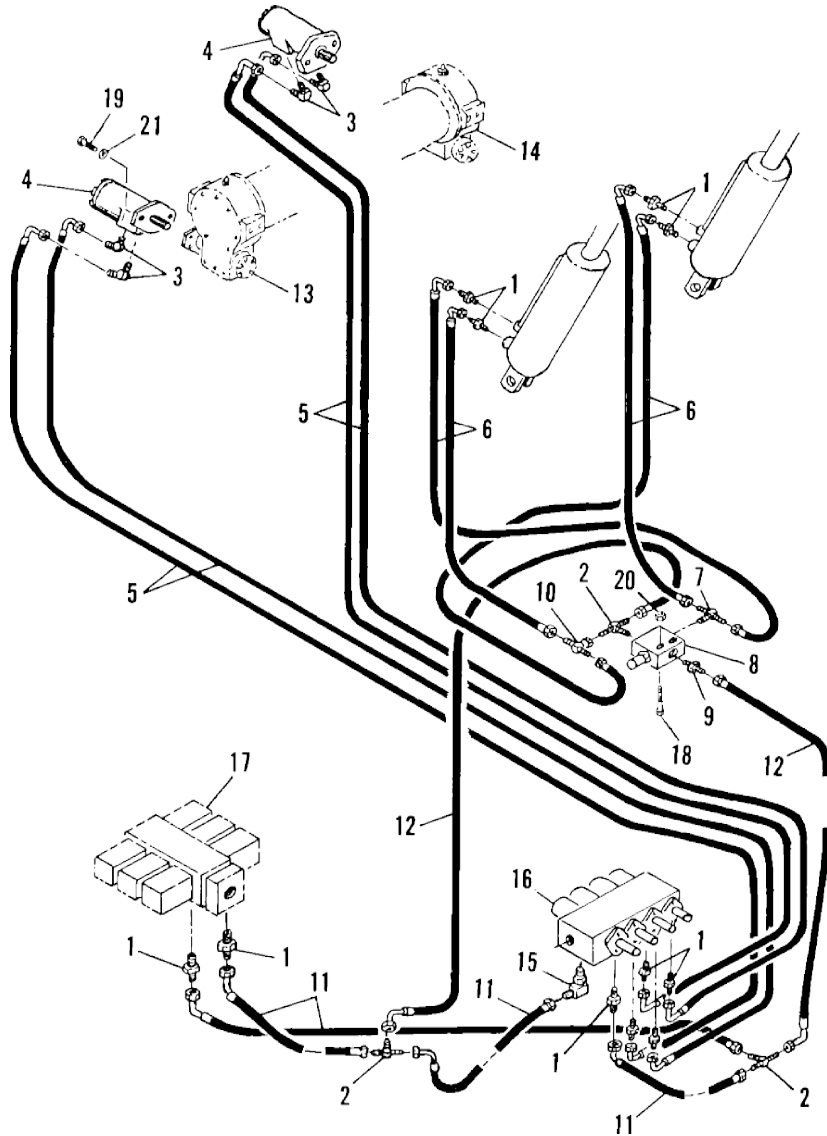
VI-22

**Section VI - PARTS (cont'd)**  
**BOOM ELEVATION & WINCH HYDRAULICS**  
**S01**

REF. NO.	NO. REQ'D	PART NUMBER	DESCRIPTION
1	9	0300044	O-RING CONNECTOR
2	1	0300090	HYDRAULIC MOTOR
3	3	0300206	BRANCH TEE
4	2	0300229	ADAPTER, 90°
5	1	0301425	CONNECTOR, MALE
6	1	0301470	ADAPTER, 90°
7	4	0301473	HOSE ASSEMBLY
8	1	0301731	HOLDING VALVE
9	1	0301855	MALE TEE
10	2	0301893	HOSE ASSEMBLY, WINCH MOTOR
11	1	0302573	TEE, 6MJ-6MJ-6FJX
12	2	0302926	HOSE ASSEMBLY, 29"
13	2	0302909	HOSE ASSEMBLY, 36"
14	REF.	0302936	WINCH ASSEMBLY, RIGHT
15	1	0300010	VALVE, 3 SPOOL CONTROL
16	REF.	0301883	SOLENOID VALVE
17	2	0400078	SCREW, 1/4"-20 X 2" HEX HD CAP GR5 ZP
18	2	0400196	SCREW, 1/2"-13 X 1-1/4" SKT HD CAP
19	2	0400367	NUT, 1/4"-20 HEX NYLOK
20	2	0400491	LOCKWASHER, 1/2" HELICAL

VI-23

**Section VI - PARTS (cont'd)**  
**BOOM ELEVATION & WINCH HYDRAULICS**  
**S03**



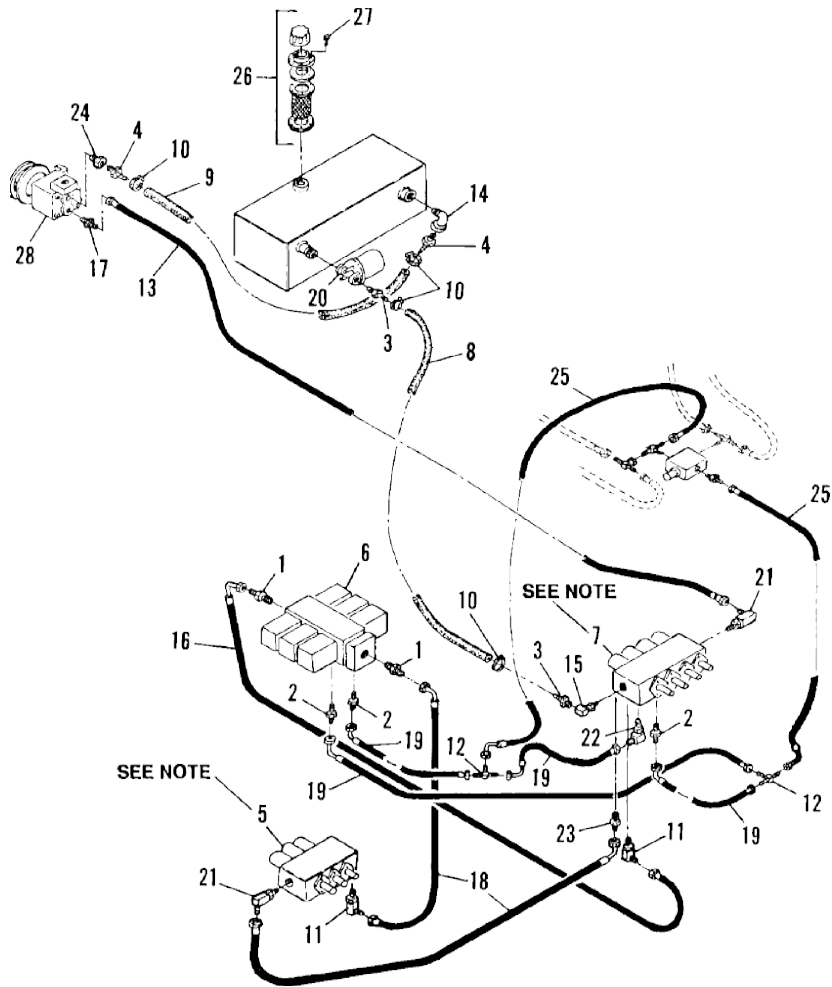
VI-24

**Section VI - PARTS (cont'd)**  
**BOOM ELEVATION & WINCH HYDRAULICS**  
**S03**

REF. NO.	NO. REQ'D	PART NUMBER	DESCRIPTION
1	11	0300044	O-RING CONNECTOR
2	3	0300206	BRANCH TEE
3	4	0300229	ADAPTER, 90°
4	2	0300090	HYDRAULIC MOTOR
5	4	0301893	HOSE ASSEMBLY, WINCH MOTOR
6	4	0302926	HOSE ASSEMBLY, 29"
7	1	0301855	MALE TEE
8	1	0301731	HOLDING VALVE
9	1	0301425	CONNECTOR, MALE
10	1	0302573	TEE, 6MJ-6MJ-6FJX
11	4	0301473	HOSE ASSEMBLY
12	2	0302909	HOSE ASSEMBLY, 36"
13	REF.	0302936	WINCH ASSEMBLY, RIGHT
14	REF.	0302937	WINCH ASSEMBLY, LEFT
15	1	0301470	ADAPTER, 90°
16	REF.	0302960	VALVE, 4 SPOOL CONTROL
17	REF.	0301883	SOLENOID VALVE
18	2	0400078	SCREW, 1/4"-20 X 2" HEX HD CAP GR5 ZP
19	4	0400196	SCREW, 1/2"-13 X 1-1/4" SKT HD CAP
20	2	0400367	NUT, 1/4"-20 HEX NYLOK
21	4	0400491	LOCKWASHER, 1/2" HELICAL

VI-25

**Section VI - PARTS (cont'd)**  
**PUMP & RESERVOIR HYDRAULICS**



**Section VI - PARTS (cont'd)**  
**PUMP & RESERVOIR HYDRAULICS**

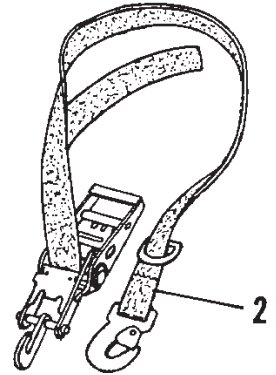
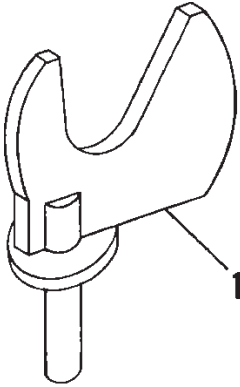
REF. NO.	NO. REQ'D	PART NUMBER	DESCRIPTION
1	2	0300041	O-RING CONNECTOR
2	3	0300044	O-RING CONNECTOR
3	2	0300055	HOSE BARB, 3/4"
4	2	0300056	HOSE BARB, 1"
5	1	0300010	VALVE, 3 SPOOL CONTROL
6	1	0301883	SOLENOID VALVE
7	1	0302960	VALVE, 4 SPOOL CONTROL
8	30"	0300057	HOSE, 3/4" RETURN
9	9'	0300058	HOSE, 1" SUCTION
10	4	0300071	HOSE CLAMP, 1"
11	2	0300052	O-RING ELBOW, 90°
12	4	0300206	BRANCH TEE
13	1	0300660	HOSE ASSEMBLY
14	1	0300692	ELBOW, STREET 1" NPT 90°
15	1	0301375	ELBOW, 90°
16	1	0300787	HOSE ASSEMBLY
17	1	0301391	CONNECTOR
18	2	0301471	HOSE ASSEMBLY
19	4	0301473	HOSE ASSEMBLY
20	1	0300136	FILTER, RETURN LINE
21	2	0301547	O-RING ELBOW, SAE 90°
22	1	0301470	ADAPTER, 90°
23	1	0301780	O-RING CONNECTOR
24	1	0302108	REDUCER BUSHING, 20MP-16FP
25	2	0302909	HOSE ASSEMBLY, 36"
26	1	0305006	FILLER CAP ASSEMBLY
27	6	0400045	SCREW, #10-32 X 1/2" THD CUT RD HD PH SS
28	1	AWS-6000-M	HYDRAULIC CLUTCH PUMP

NOTE: S01 WRECKER REQUIRES TWO #5 VALVES.  
 S03 WRECKER REQUIRES ONE #5 VALVE AND ONE #7 VALVE.



# Section VI - PARTS (cont'd)

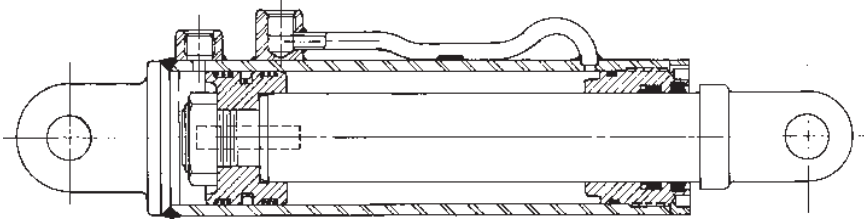
## WHEEL LIFT ACCESSORIES



REF. NO.	NO. REQ'D	PART NUMBER	DESCRIPTION
1	2	E801013	SHALLOW FORK WELDMENT
2	2	AWS-1000-A	TIE DOWN STRAP ASSEMBLY

# Section VI - PARTS (cont'd)

## HYDRAULIC CYLINDERS



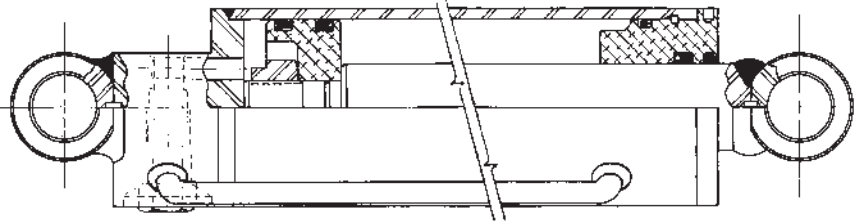
REF. NO.	NO. REQ'D	PART NUMBER	DESCRIPTION
1	2	IT-27B	BOOM ELEVATION CYLINDER (COMPLETE)
2	1	IT-97	SEAL KIT, BOOM ELEVATION CYLINDER



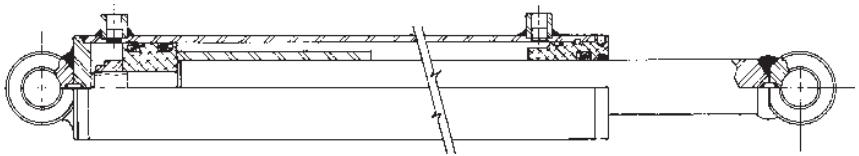
REF. NO.	NO. REQ'D	PART NUMBER	DESCRIPTION
1	1	0301825	UNDERLIFT EXTEND CYLINDER (COMPLETE)
2	1	0304086	SEAL KIT, UNDERLIFT EXTEND CYLINDER

# Section VI - PARTS (cont'd)

## HYDRAULIC CYLINDERS



REF. NO.	NO. REQ'D	PART NUMBER	DESCRIPTION
1	1	0302919	UNDERLIFT FOLD CYLINDER (COMPLETE)
2	1	0300830	SEAL KIT, UNDERLIFT FOLD CYLINDER



REF. NO.	NO. REQ'D	PART NUMBER	DESCRIPTION
1	1	0302948	BOOM EXTEND CYLINDER (COMPLETE)
2	1	0304491	SEAL KIT, BOOM EXTEND CYLINDER



Miller Industries Towing Equipment Inc.

8503 Hilltop Drive • Ooltewah, Tennessee 37363 • (423) 238-4171

[www.millerind.com](http://www.millerind.com)