



## OWNER'S MANUAL

# EB2 MODULAR

## PARTS

NOTE: MANUAL including SPECIFICATIONS, subject to change without notice.  
All ratings specified are based on structural factors only,  
not vehicle capacities or capabilities.



Miller Industries Towing Equipment Inc.  
8503 Hilltop Drive  
Ooltewah, Tennessee 37363  
Phone (423) 238-4171 • FAX (423) 238-5371

FORM NO. 0501744  
04 / 2010  
PRICE \$25.00

## LIMITED WARRANTY

MILLER INDUSTRIES TOWING EQUIPMENT INC., hereinafter referred to as MILLER, warrants to the original purchaser that each new MILLER wrecker or other MILLER products will be free from defects in material and workmanship for a period of twelve (12) months from date placed in service, but in no event shall such warranty period exceed twenty-four (24) months from date of manufacture by MILLER. The purchaser must promptly notify MILLER in writing of any failure in material or workmanship. In no event shall MILLER accept such notification later than twenty-four (24) months from date of delivery or twelve (12) months from date placed in service, whichever is earlier.

MILLER's obligation under this warranty, statutory or otherwise, is limited to the repair or replacement at the MILLER factory, or at a point designated by MILLER, of such part or parts as shall appear upon inspection by MILLER to be defective in material or workmanship. New or remanufactured parts will be used for any replacement at MILLER's option. This warranty is not transferable. This warranty does not obligate MILLER to bear the cost of labor or transportation charges in connection with the repair or replacement of any parts found to be defective, nor shall it apply to a product upon which repairs or alterations have been made unless authorized by MILLER.

EXCEPT AS EXPRESSLY SET FORTH IN THIS WARRANTY, MILLER MAKES NO OTHER WARRANTY, EXPRESS OR IMPLIED, AND HEREBY DISCLAIMS ALL OTHER WARRANTIES INCLUDING, BUT NOT LIMITED TO, THE IMPLIED WARRANTIES OF MERCHANTABILITY AND FITNESS FOR A PARTICULAR PURPOSE. MILLER shall in no event be liable for claimed downtime, claimed loss of profits or goodwill, or any other special, incidental, indirect, or consequential damages concerning or relating to any product or parts, whether based on negligence, strict liability, breach of contract, breach of warranty, misrepresentation or any other legal theory, regardless of whether the loss resulted from any general or particular requirement which MILLER knew or had reason to know about at the time of sale.

MILLER MAKES NO WARRANTY, EXPRESS OR IMPLIED, AS TO THE FINISHED PRODUCTS MANUFACTURED OR SUPPLIED BY ANOTHER MANUFACTURER AND SUPPLIED BY MILLER TO PURCHASER, including, but not limited to, any vehicle to which a MILLER product may be affixed or any accessories or wire rope, and MILLER EXPRESSLY DISCLAIMS ANY IMPLIED WARRANTIES OF MERCHANTABILITY OR FITNESS FOR A PARTICULAR PURPOSE AS TO SUCH EQUIPMENT OR PRODUCTS. This language shall in no way affect or diminish the rights of the purchaser to rely on such warranties as are extended by such manufacturers or suppliers. MILLER shall, to the extent permitted under applicable law, pass on to the purchaser such manufacturer's or seller's warranty.

MILLER, whose policy is one of continuous improvement, reserves the right to improve its products through changes in design or materials as it may deem desirable without being obligated to incorporate such changes in products previously sold. This warranty is not intended to cover or include the following items, which are set forth by way of example and not limitation:

- A. Normal deterioration of trim, paint, lettering, and appearance items due to wear or exposure to weather, road conditions, road treatments, etc.
- B. Any damage or defect due to accident, misuse, abuse, improper or unauthorized repairs, failure to provide reasonable and necessary maintenance, or uses for which the equipment was not designed or intended.
- C. Alterations or modifications that affect performance, operation or reliability.
- D. Normal maintenance parts including, but not limited to, wear pads, bushings, wire rope, mud flaps, fenderettes, light bulbs, hydraulic oil, filters, and tow sling belts.

**IT IS EXPRESSLY UNDERSTOOD THAT MILLER MAKES NO IMPLIED WARRANTY THAT MILLER PRODUCTS SHALL BE FIT FOR THE PURPOSE OF LIFTING OR MOVING PEOPLE OR FOR ANY OTHER IMPROPER USE.**



Miller Industries Towing Equipment Inc.  
8503 Hilltop Drive  
Ooltewah, Tennessee 37363  
Telephone (423) 238-4171

**SERIAL NUMBER**

## **OWNER, USER AND OPERATOR:**

We appreciate your choice of our towing and recovery unit for your application. Our number one priority is user safety which is best achieved by our joint efforts. We feel that you can make a major contribution to safety if you, as the equipment owner and operator:

1. **Comply with Federal, State, and Local Regulations.**
2. **Read, Understand, and Follow the Instructions in this Manual.**
3. **Use Good, Safe Work Practices in a Common Sense Way.**
4. **Only have Authorized and Trained Personnel performing maintenance on the Towing and Recovery Unit.**

# TABLE OF CONTENTS

It is assumed by the manufacturer that the Owner/Operator has a thorough knowledge of the accepted and lawful retrieval and towing methods as dictated by his city, county or state. The manufacturer rejects any liability claim that may result from the incorrect or unlawful application of its equipment.

## Section I - PARTS

SUBFRAME ASSEMBLY .....	I-2 & I-3
BOOM ASSEMBLY .....	I-4 & I-5
WHEEL LIFT ASSEMBLY .....	I-6 & I-7
CROSSBAR ASSEMBLY .....	I-8 & I-9
BOOM HYDRAULICS .....	I-10 & I-11
WHEEL LIFT HYDRAULICS .....	I-12 & I-13
CLAW HYDRAULICS .....	I-14 & I-15

## **Section VI - PARTS**

This Section is provided by the manufacturer for the purpose of ordering any component part of the **Eagle EB2 Modular** that may be required when part replacement is necessary. Be certain to use only original equipment replacement parts for warranty purposes as well as for keeping your unit in its original state and optimum operating capacities.

When ordering replacement or spare parts be sure to provide the following information to the manufacturer's **Parts Department**.

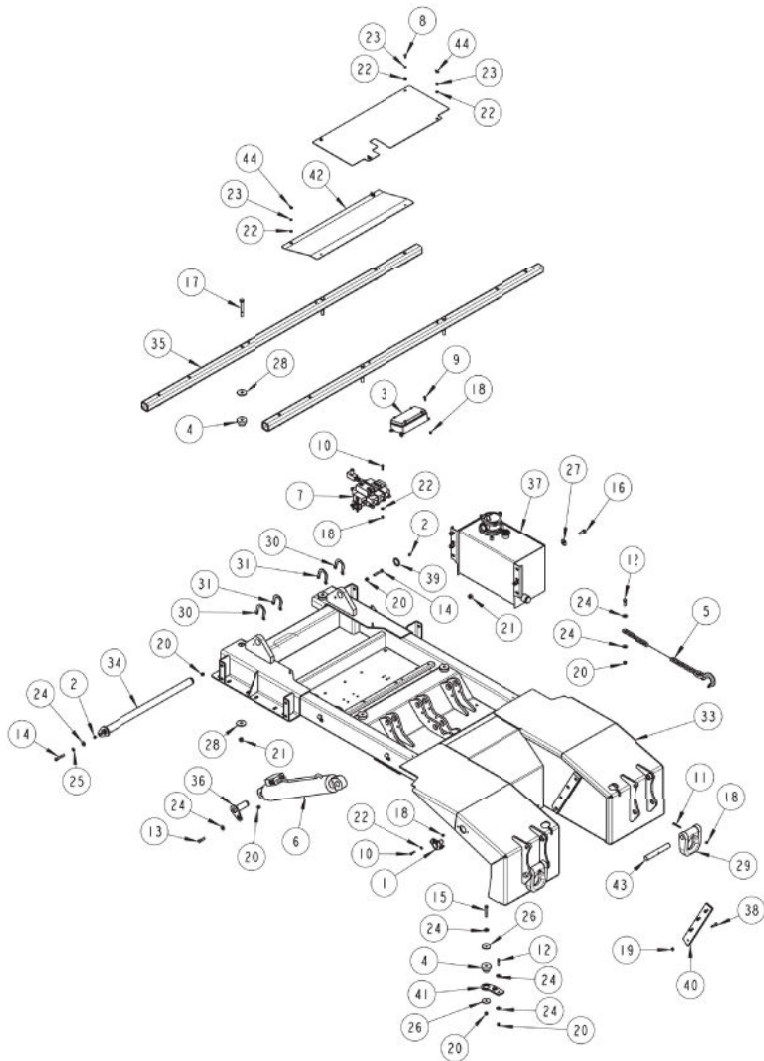
1. **Manual Number & Date of Publication**
2. **Manual Page Number**
3. **Page Title**
4. **Reference Number of Part Desired**
5. **Part Number**
6. **Part Description**
7. **Quantity of Part Desired**

Providing this information will help ensure that the correct parts will be delivered to you in an expedient manner without delay. Should additional information be required for repair or replacement of certain components, contact your Wrecker Manufacturer Authorized Representative.

The Manufacturer reserves the right, without notice or obligation, to improve or modify their products, which may change the specifications, models and feature availability.

Section I - PARTS (cont'd)

SUBFRAME ASSEMBLY



Section I - PARTS (cont'd)

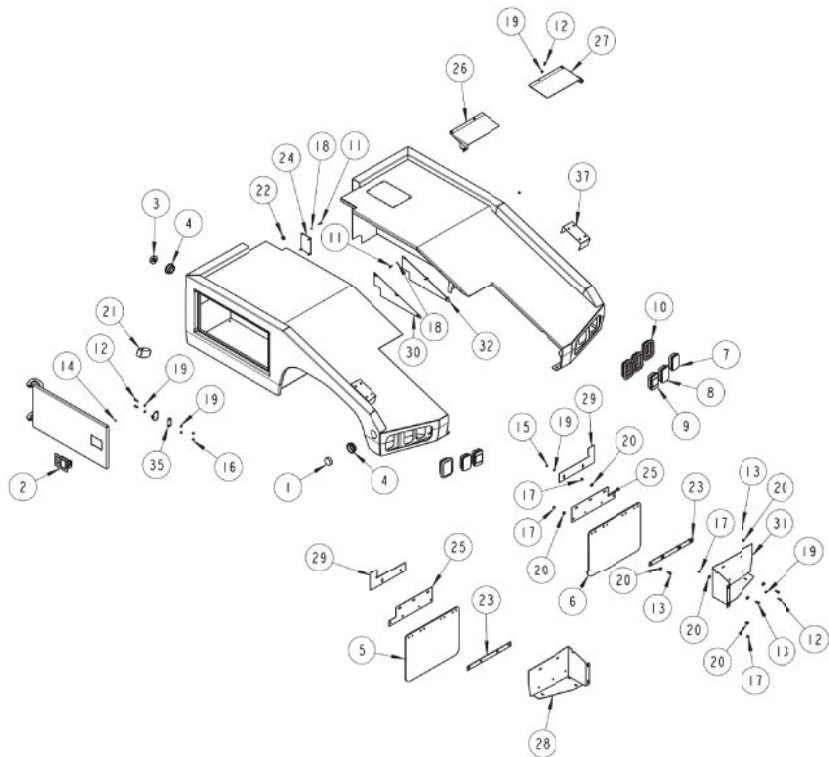
SUBFRAME ASSEMBLY

ITEM	PART NUMBER	DESCRIPTION	QTY
1	0301671	TOW SOCKET	1
2	0301895	GREASE FITTING, 1/8 NPT STRAIGHT	2
3	0303385	JUNCTION BOX	1
4	0306680	RUBBER "T" MOUNTS	6
5	0307383	CHAIN ASSEMBLY, 5/16" G7 X 12'	1
6	0307576	LIFT CYLINDER	1
7	0307712	VALVE 5-SPOOL PARKER DIR. CONTROL	1
8	0400059	1/4-20 X 5/8 HHCS GR 5 ZP	2
9	0400066	1/4-20 X 3/4 HHCS GR.5,ZP	2
10	0400070	1/4-20 X 1 HHCS GR5 ZP	6
11	0400078	1/4-20 X 2 HHCS GR5 ZP	2
12	0400122	3/8-16 X 1 1/4 HHCS GR.5,ZP	5
13	0400132	3/8-16 X 1 1/2 HHCS GR.5,ZP	1
14	0400146	3/8-16 X 2-1/4 HHCS GR.5 ZP	2
15	0400150	3/8-16 X 2-1/2 HHCS GR5 ZP	2
16	0400177	1/2-13 X 1 1/4 HHCS GR. 5, ZP	4
17	0400237	1/2-13 X 4 HHCS GR 5 ZP	4
18	0400367	1/4-20 NYLOCK HEX NUT ZP	10
19	0400382	5/16-18 NYLOCK HEX NUT ZP	8
20	0400392	3/8-16 NYLOCK HEX NUT ZP	10
21	0400408	1/2-13 NYLOCK HEX NUT ZP	8
22	0400451	1/4 FLAT WASHER ZP	12
23	0400452	1/4 HELICAL LOCK WASHER ZP	6
24	0400480	3/8 FLAT WASHER ZP	14
25	0400482	3/8 HELICAL LOCK WASHER ZP	1
26	0400484	3/8 X 1-3/4 X 1/8 THICK FLAT WASHER ZP	4
27	0400492	1/2 FLAT WASHER ZP	4
28	0400498	WASHER, 1/2" ID X 2" OD X .150	8
29	0712380	"D" RING	2
30	0719519	SHIM - BOOM PIVOT (.0747 THICK)	2
31	0719520	SHIM - BOOM PIVOT (.1196 THK)	2
32	0723146	D.C.V. REAR PANEL	1
33	0806834	EXPRESS SUBFRAME WELDMENT	1
34	0807183	BOOM PIVOT PIN WELDMENT	1
35	0807232	FRONT BODY MTG.TUBE WELD'T	2
36	0807707	PIN WELDMENT	1
37	0910008	HYDRAULIC TANK ASSEMBLY	1
38	9043973	SCREW, 5/16"-16 X 1-1/2" FL HD SKT	8
39	9056150	RETAINING RING, 1-1/2"	1
40	805040011	VERTICAL BOOM GUIDE	2
41	810030005	BODY REAR MTG. PLATE- (T MTG.)	2
42	810032000	D.C.V. FRONT PANEL WELD'T	1
43	BA0259	PIN, 'D' RING	2
44	HD1447	1/4 - 20 WING NUT ZP	4



Section I - PARTS (cont'd)

BODY ASSEMBLY

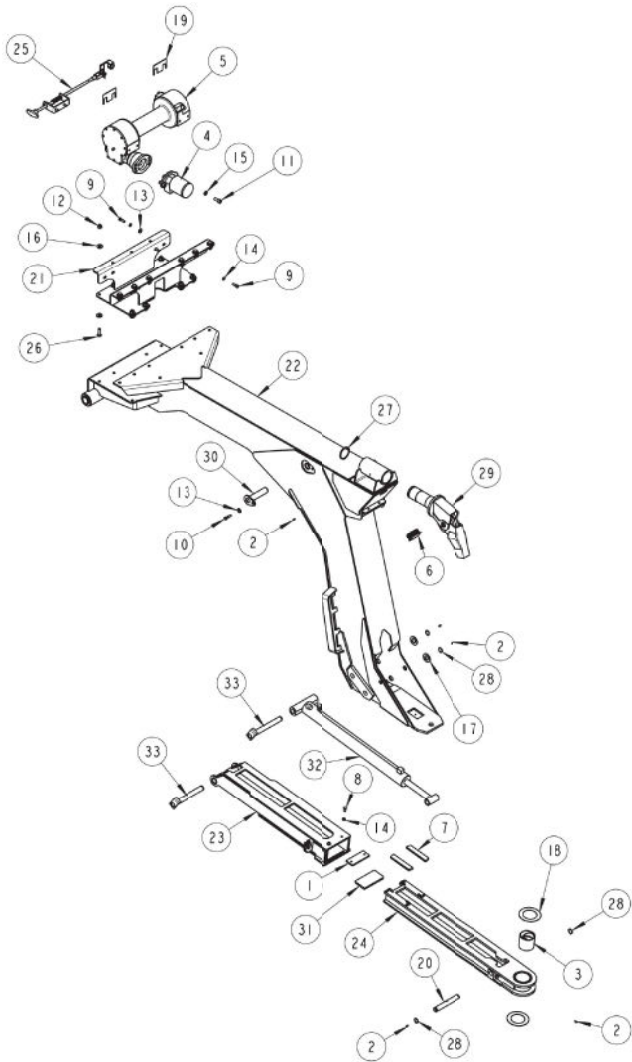


Section I - PARTS (cont'd)

BODY ASSEMBLY

ITEM	PART NUMBER	DESCRIPTION	QTY
1	0301741	MARKER LAMP, RED 2-1/2" ROUND	1
2	0303120	PADDLE LATCH W/GASKET	2
3	0303126	LIGHT, MARKER AMBER	1
4	0303127	GROMMET, MARKER LIGHT	2
5	0303942	MUDFLAP	1
6	0303943	MUDFLAP	1
7	0306682	TAIL LIGHT / RED/TAIL/MARK/CLEARANCE	2
8	0306683	TAIL LIGHT / STOP-TURN	2
9	0306684	LIGHT, BACKUP	2
10	0306685	GROMMET, LED LIGHT 45 STT	6
11	0400070	1/4-20 X 1 HHCS GR5 ZP	14
12	0400109	5/16-18 X 1 HHCS GR.5,ZP	11
13	0400126	3/8-16 X 1 HHCS GR.5,ZP	7
14	0400351	#8-32 HEX NUT W/ STAR WASHER, ZP	8
15	0400381	5/16-18 HEX NUT ZP	2
16	0400382	5/16-18 NYLOCK HEX NUT ZP	4
17	0400392	3/8-16 NYLOCK HEX NUT ZP	7
18	0400452	1/4 HELICAL LOCK WASHER ZP	14
19	0400463	5/16 FLAT WASHER ZP	16
20	0400480	3/8 FLAT WASHER ZP	14
21	9025049	INTERIOR COMPARTMENT LIGHT W/ SWITCH	1
22	9032053	GROMMET	1
23	804500001	MUD FLAP BACK-UP STRIP	2
24	805040005	COVER PLATE- BOOM END	2
25	810010001	BRACKET-MUD FLAP	2
26	810010006	PANEL- LH REAR SLOPE	1
27	810017006	PANEL- RH REAR SLOPE	1
28	810030015	PANEL - LT LIGHT COVER	1
29	810030016	PLATE - GUARD FILLER (SS)	2
30	810031100	LH INSIDE SKIRT WELD'T	1
31	810037015	S.S. PANEL- RH LIGHT COVER	1
32	810038100	RH INSIDE SKIRT WELD'T	1
33	810150000	LT BOX WELDMENT - 810	1
34	810157000	RH BOX WELDMENT - 810	1
35	945400518	WASHER PLATE	2
36	945400800	STRIKER PIN WELD'T	2
37	AWS-7015-A	REAR REMOTE COVER	2

**Section I - PARTS (cont'd)**  
**RECOVERY BOOM & WHEEL LIFT BOOM ASSEMBLY**



I-6

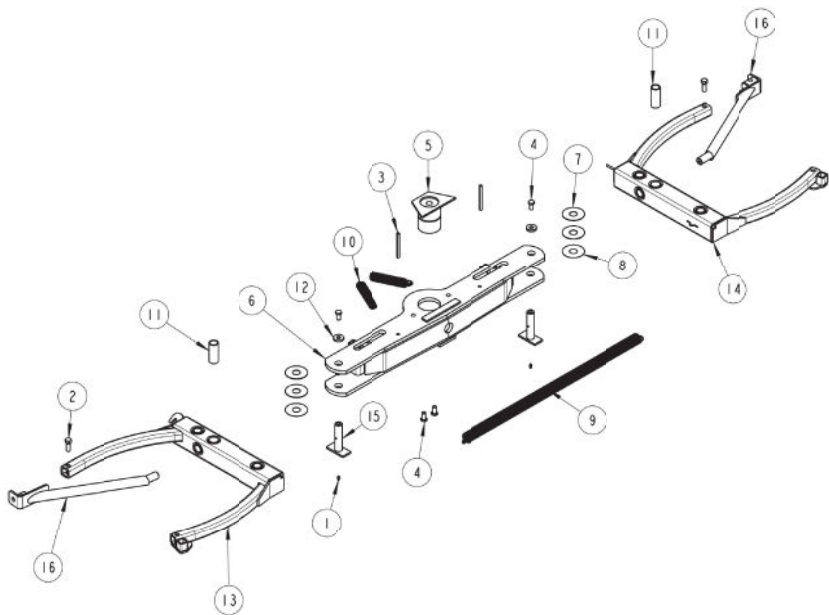
**Section I - PARTS (cont'd)**  
**RECOVERY BOOM & WHEEL LIFT BOOM ASSEMBLY**

ITEM	PART NUMBER	DESCRIPTION	QTY
1	3012-794003	BAR - SPACER	1
2	0300113	GREASE FITTING, 1/4-28 STRAIGHT	5
3	0306748	BUSHING	1
4	0307097	HYDRAULIC MOTOR, PARKER	1
5	0307579	WINCH ASSEMBLY, HY-246 NARROW DRUM	1
6	0307590	PLUG, LDPE BLACK SQR-17-1014	1
7	0307817	PAD- NYLATRON	2
8	0400121	3/8-16NC X 3/4 HHCS GR. B	2
9	0400122	3/8-16 X 1 1/4 HHCS GR.5,ZP	6
10	0400132	3/8-16 X 1 1/2 HHCS GR.5,ZP	1
11	0400196	SCREW, 1/2"-13 X 1-1/4" SKT HD	2
12	0400416	1/2-13 NYLOCK HEX NUT GR.8, ZP	14
13	0400480	3/8 FLAT WASHER ZP	3
14	0400482	3/8 HELICAL LOCK WASHER ZP	8
15	0400491	1/2 HELICAL LOCK WASHER ZP	2
16	0400497	1/2 FLAT WASHER GR.8,YZ PLATED	28
17	0400522	1 1/16 X 2 X 1/8 HARDENED FL WASHER ZP	2
18	0703640	THRUST WASHER	2
19	0706668	SHIM, WINCH MOUNTING	2
20	0718847	PIN- EXTEND CYLINDER	1
21	0806846	WINCH BUCKET WELDMENT	1
22	0806941	OUTER BOOM WELDMENT - EB-2	1
23	0807004	OUTER W/L BOOM WELD'T (EB2)	1
24	0807005	INNER W/L BOOM WELD'T (EB2)	1
25	0908627	WINCH FREE-SPOOL ASSY	1
26	9041403	1/2-13 X 1-1/2 HHCS GR 8 ZP	14
27	9055275	SNAP RING, 2-3/4" EXTERNAL	1
28	9056098	SNAP RING, 1"	4
29	805180000	SHEAVE HOUSING ASSEMBLY	1
30	880401500	PIN BOOM LIFT CYLINDER UPPER	1
31	930150004	BOTTOM PAD	1
32	AWS-6110-A	HYD CYLINDER, BOOM EXTEND	1
33	E801021	PIVOT PIN, BOOM STINGER	2

I-7



**Section I - PARTS (cont'd)**  
**CROSSBAR ASSEMBLY**

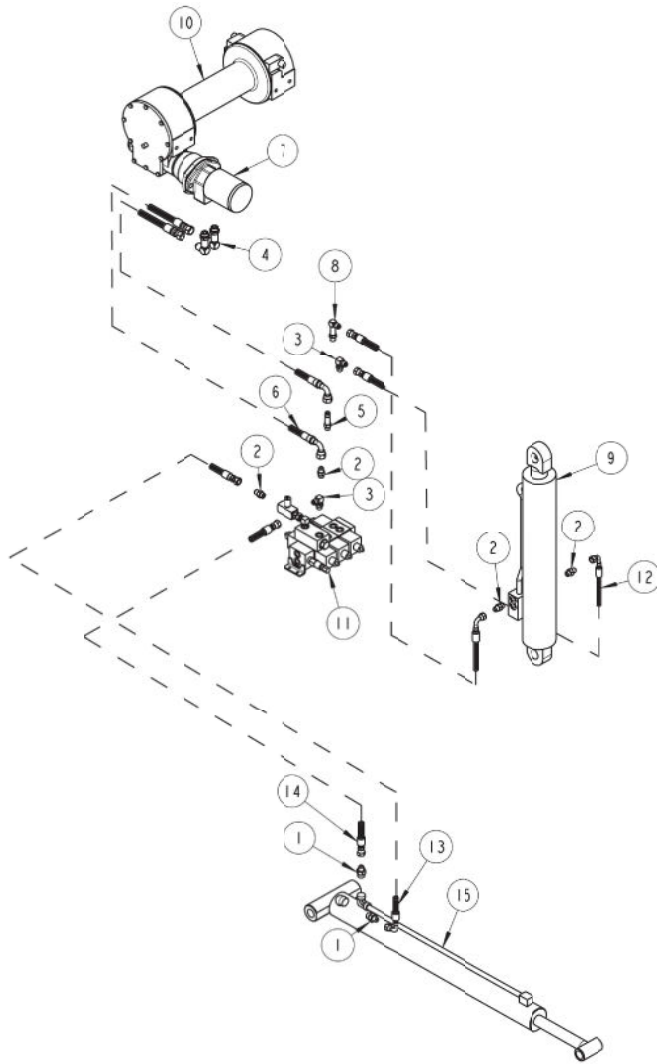


**Section I - PARTS (cont'd)**  
**CROSSBAR ASSEMBLY**

ITEM	PART NUMBER	DESCRIPTION	QTY
1	0300113	GREASE FITTING, 1/4-28 STRAIGHT	2
2	0400181	1/2-13 X 1-1/2 HHCS GR 5 ZP	2
3	0400579	SPRING PIN	2
4	0701956	SCREW, OUTER CROSSTUBE RETAINING	4
5	0801073	PIN - PIVOT	1
6	0807006	CROSSBAR WELD'T (EB2)	1
7	AWS-1055-A	TBD	4
8	AWS-1055-B	TBD	2
9	AWS1011	SPRING CLAW	1
10	AWS1012	SPRING TOWBAR - INTERNAL	2
11	E300002	BEARING - CLAW PIVOT	2
12	E700030	WASHER-CLAW PIVOT PIN STD	2
13	E801002	CLAW WELDMENT - LEFT	1
14	E801003	E801003	1
15	E801008	STD CLAW PIVOT PIN WELDMENT	2
16	E801020	EAGLE TIRE ADAPTER	2

Section I - PARTS (cont'd)

BOOM HYDRAULICS



I-10

Section I - PARTS (cont'd)

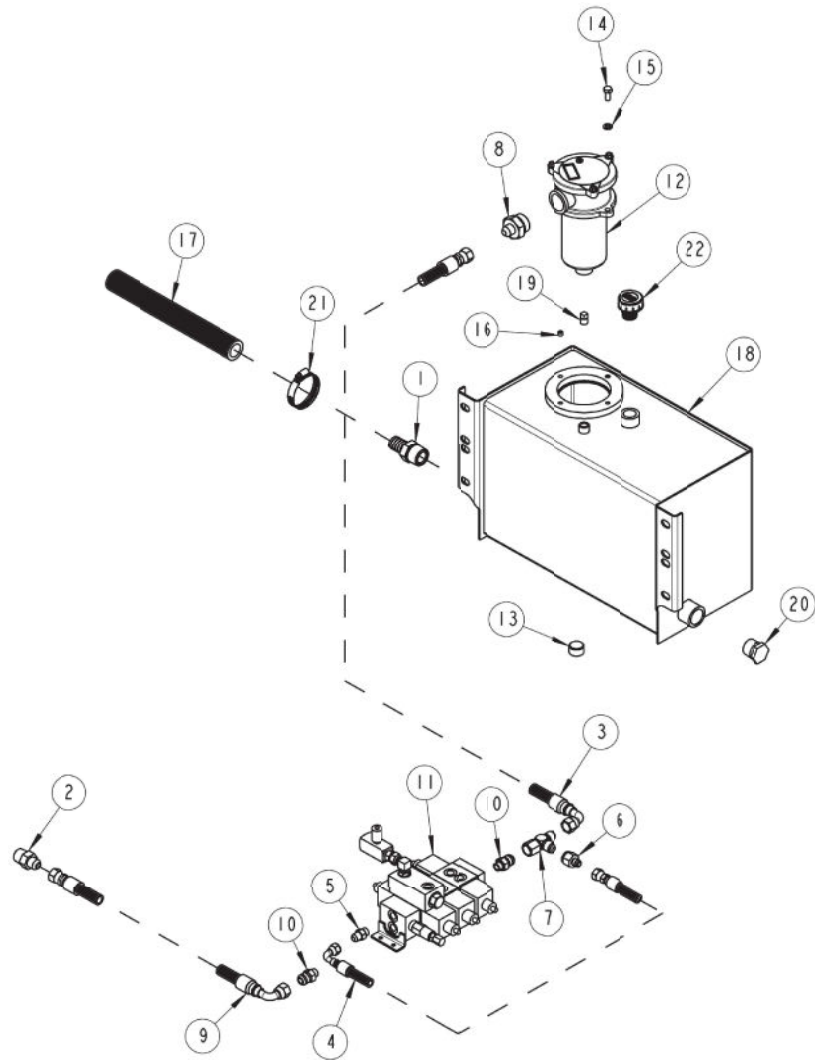
BOOM HYDRAULICS

ITEM	PART NUMBER	DESCRIPTION	QTY
1	0300044	CONNECTOR 6MJX8MB	2
2	0301522	CONNECTOR 6MJ-6MB	4
3	0301620	FITTING, ELBOW, 6MJ-6MB90	2
4	0302508	ELBOW, 8MJ-8MB90LL	2
5	0302510	CONNECTOR, 6MJ-6MBL	1
6	0302584	HOSE ASSEMBLY, 50"	2
7	0307097	HYDRAULIC MOTOR, PARKER	1
8	0307460	FITTING, ELBOW, 6MJ-6MB90L	1
9	0307576	LIFT CYLINDER	1
10	0307579	WINCH ASSEMBLY, HY-246 NARROW DRUM	1
11	0307712	VALVE 5-SPOOL PARKER DIR. CONTROL	1
12	810770015	HOSE ASSEMBLY, 29"	2
13	AWS-6827-A	HOSE ASSEMBLY, 180" LG.	1
14	AWS-6827-B	HOSE ASSEMBLY - 180" LG	1
15	AWS-6110-A	HYD CYLINDER, BOOM EXTEND	1

I-11

Section I - PARTS (cont'd)

TANK HYDRAULICS



Section I - PARTS (cont'd)

TANK HYDRAULICS

ITEM	PART NUMBER	DESCRIPTION	QTY
1	0300056	BARB, 16C4-16MP	1
2	0301391	CONNECTOR, 8MJ-12MP	1
3	0301471	HOSE ASSEMBLY - 30" LG	1
4	0301473	HOSE ASSEMBLY, 32"	1
5	0301522	CONNECTOR 6MJ-6MB	1
6	0301995	ADAPTER, 8FJ-6MJ STRAIGHT	1
7	0302052	RUN TEE, 8MJ-8MJ-8FJX	1
8	0302757	CONNECTOR, 8MJ-12MB	1
9	0303391	HOSE ASSY - 110"	1
10	0307555	CONNECTOR 8MJX6MB	2
11	0307712	VALVE 5-SPOOL PARKER DIR. CONTROL	1
12	0310296	IMMERSION FILTER ASSEMBLY	1
13	0310462	MAGNETIC HEX PLUG ~ 3/4 NPT	1
14	0400118	5/16-18 X 3/4 HHCS GR.5 ZP	2
15	0400464	5/16 HELICAL LOCK WASHER ZP	2
16	0400748	SCREW, 5/16".18 X 1/4" HEX SKT SET	2
17	0702540	SUCTION HOSE, 12 FT (1" ID)	1
18	0807297	HYDRAULIC TANK WELDMENT	1
19	9011011	PIPE PLUG, 1/4" SQ HD	1
20	9012839	PLUG 1" (HYDRAULIC) HEX HEAD	1
21	9018092	HOSE CLAMP, HS24 - 1 1/2"	1
22	9018131	BREATHER CAP	1



Miller Industries Towing Equipment Inc.  
8503 Hilltop Drive • Ooltewah, Tennessee 37363 • (423) 238-4171  
[www.millerind.com](http://www.millerind.com)