

CHEVRON



OWNER'S MANUAL

RENEGADE MODEL 408V&T

INSTALLATION, OPERATION, MAINTENANCE & PARTS

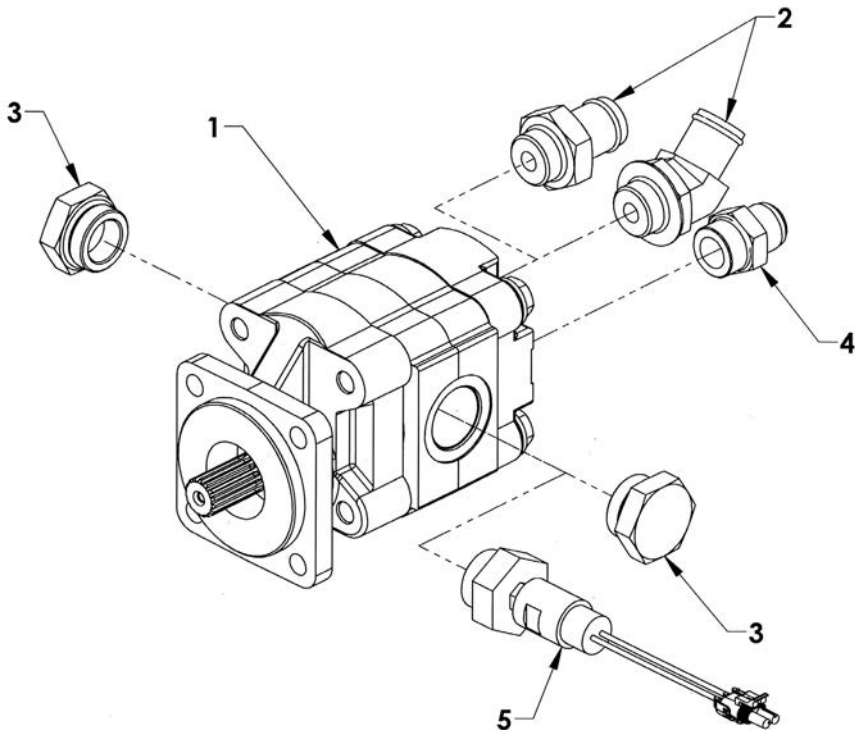
**NOTE: MANUAL including SPECIFICATIONS, subject to change without notice.
All ratings specified are based on structural factors only,
not vehicle capacities or capabilities.**

Phone (423) 238-4171
Toll Free (800) 886-6400
<http://www.millerind.com>

PN. 0540068

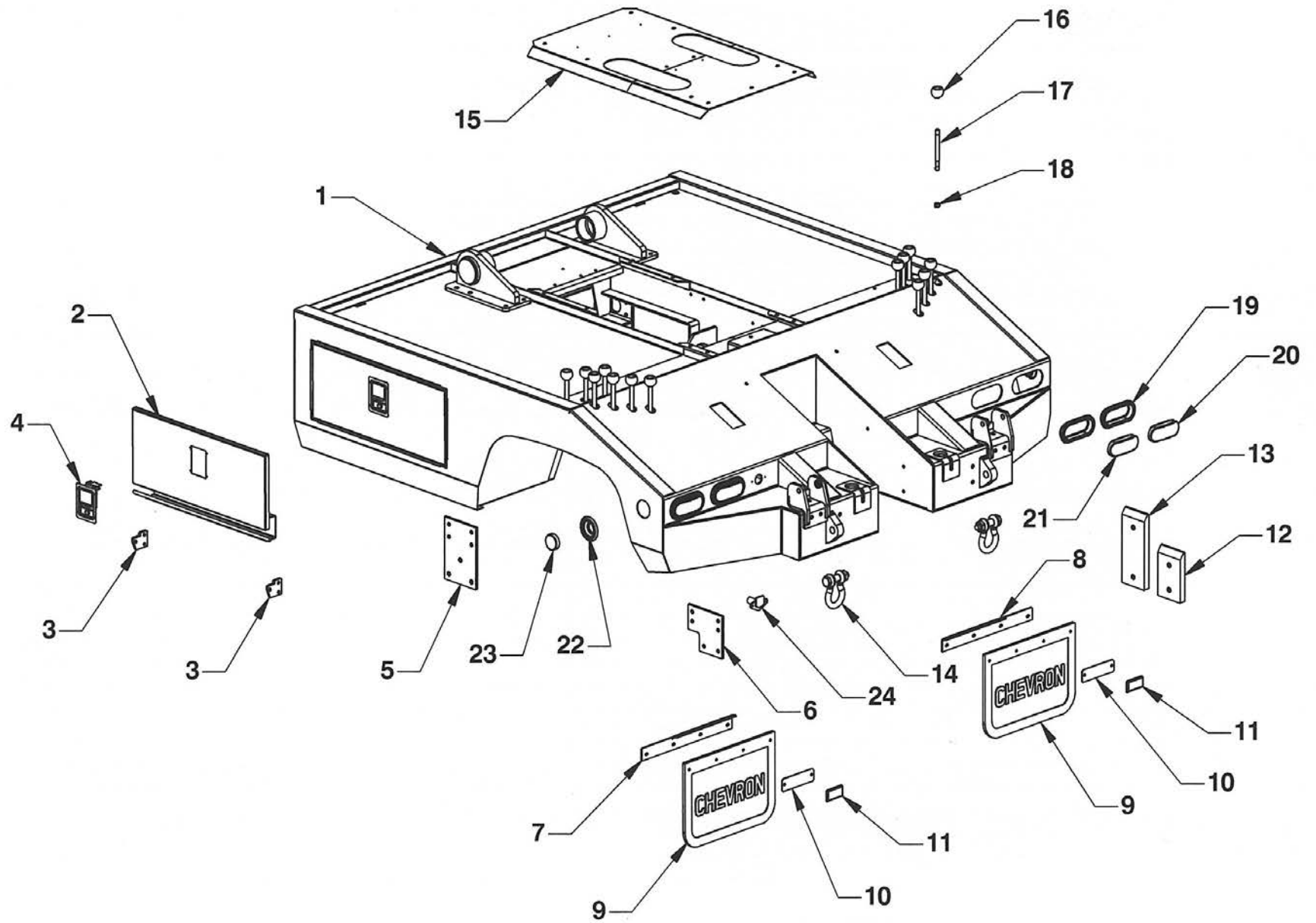
Section V - PARTS

DIRECT MOUNT PUMP - 18 GPM



REF	PART #	DESCRIPTION	QPU
1	0320144	18 GPM , 1 IN.15 SPLINE SHAFT, SAE 4-BOLT FLANGE	1
2	S14604-20 x 16	#16-45 M O-RING x 1-1/4 M NIPPLE	1
	S14603- 20 x 26F	#16 M O-RING x 1-1/4 NIPPLE	1
3	77620	1-1/4 O-RING PLUG 900598-20	2
4	779A7	#16 M O-RING X 3/4 MJIC	1
5	0909434	PRESSURE TRANSDUCER (OPTIONAL)	1

Section V - PARTS
4 SERIES STEEL INTEGRATED BODY COMPONENTS

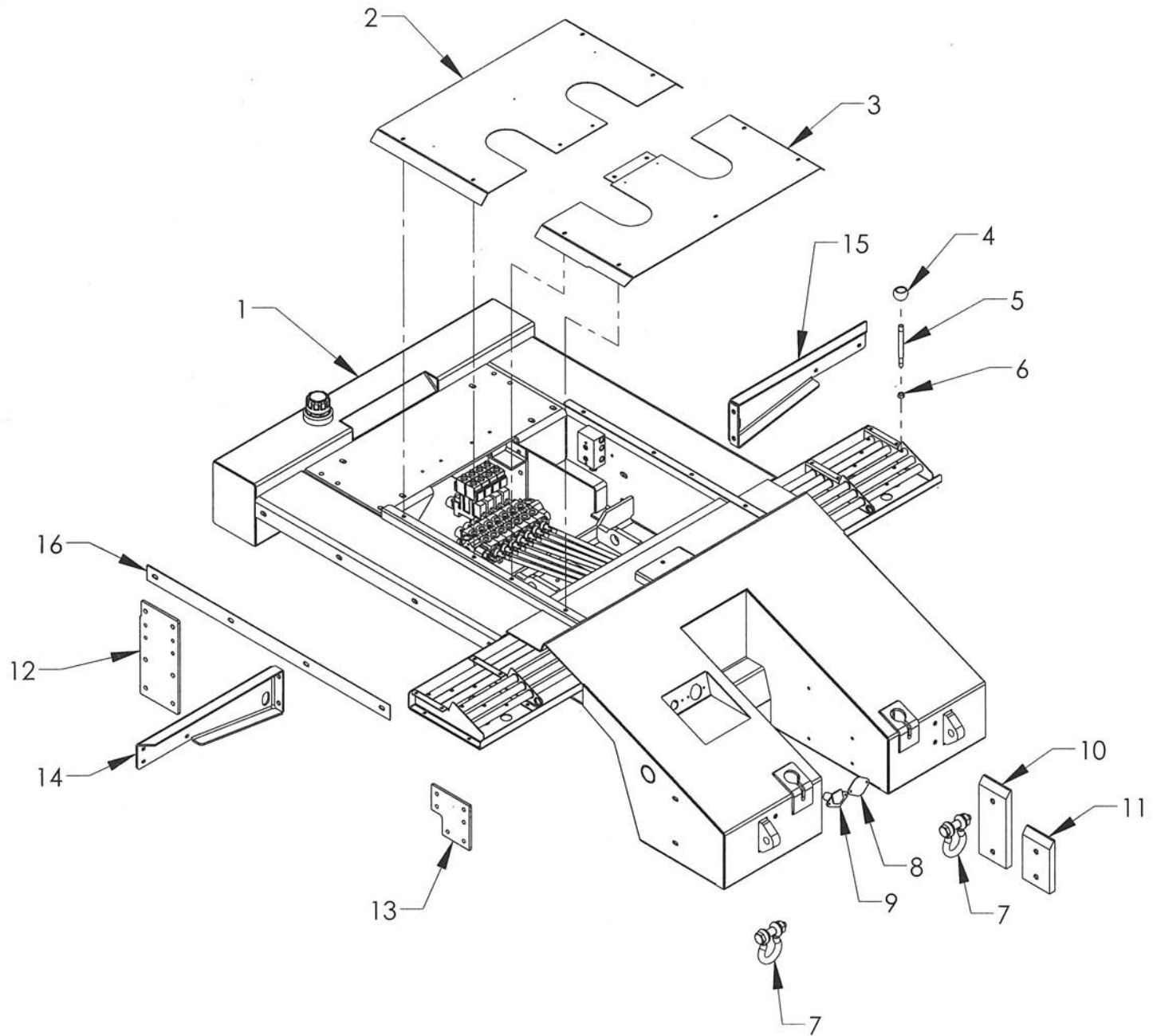


Section V - PARTS

4 SERIES STEEL INTEGRATED BODY COMPONENTS

REF	PART #	DESCRIPTION	QPU
1	5033V	INTEGRATED WRECKER BODY	1
2	5A300	TOOL BOX DOOR	2
3	5A316	TOOL BOX DOOR MOUNTING BLOCK	4
4	54658	ROTARY PADDLE LATCH #3	2
5	53263	FRONT MOUNTING BRACKET	2
6	532501	MIDDLE BODY MOUNTING BRACKET	2
7	53182L	MUDFLAP MOUNTING BRACKET - LEFT	1
8	53182R	MUDFLAP MOUNTING BRACKET - RIGHT	1
9	A1040	MUDFLAP	2
10	59115	REAR REFLECTOR MOUNTING PLATE	2
11	93300R	REFLECTOR - RED	2
12	59320	UHHW WEAR PAD	2
13	59319	UHHW WEAR PAD	2
14	84716	6-1/2 TON SHACKLE W/NUT & BOLT	2
15	5431250	ACCESS COVER	1
16	7A211	CONTROL KNOB	14
17	7A168	CONTROL HANDLE	14
18	83320	NUT 1/2-20 UNF	14
19	92650	TAILLIGHT GROMMET	4
20	92600R	TAILLIGHT	2
21	95600	BACKUP LIGHT	2
22	93150	MARKER LIGHT GROMMET	2
23	93100R	RED MARKER LIGHT	2
24	98400	TOW LIGHT PLUG	1

Section V - PARTS
4 SERIES MODULAR SUBFRAME

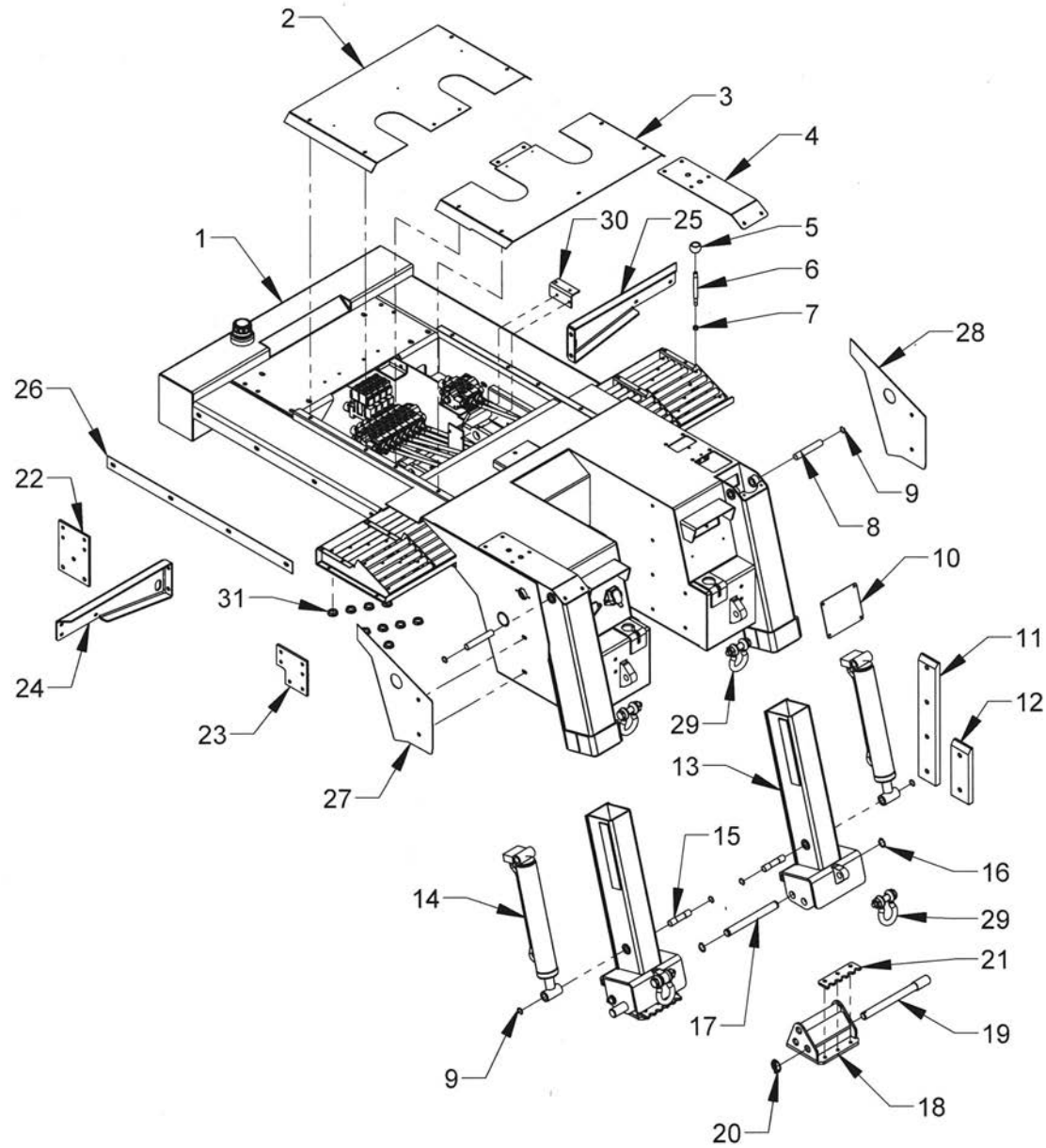


Section V - PARTS

4 SERIES MODULAR SUBFRAME GROUP

REF	PART #	DESCRIPTION	QPU
1	264010	SUBFRAME	1
2	2640751	MODULAR 4 SERIES SERVICE COVER PANEL-FRONT	1
3	2640752	MODULAR 4 SERIES SERVICE COVER PANEL-REAR	1
4	7A211	CONTROL KNOB	12
5	7A168	CONTROL HANDLE	12
6	83321	1/2-20 JAM NUT	12
7	84716	6-1/2 TON SHACKLE AND SCREW PIN	2
8	26403A	TRAILER PLUG HOLE COVER	1
9	98400	4 PRONG TRAILER PLUG SOCKET	1
10	59319	UHMW WEAR PAD	2
11	59320	UHMW WEAR PAD	2
12	265091	FRONT BODY MOUNTING BRACKET	2
13	532501	408/512 MIDDLE BODY MOUNTING BRACKET	2
14	37851R	TOOLBOX MOUNTING BRACKET - RIGHT	1
15	37851L	TOOLBOX MOUNTING BRACKET - LEFT	1
16	54M4190	SIDE BODY MOUNTING GASKET	2

Section V - PARTS
4 SERIES HYDRAULIC STABILIZER SUBFRAME

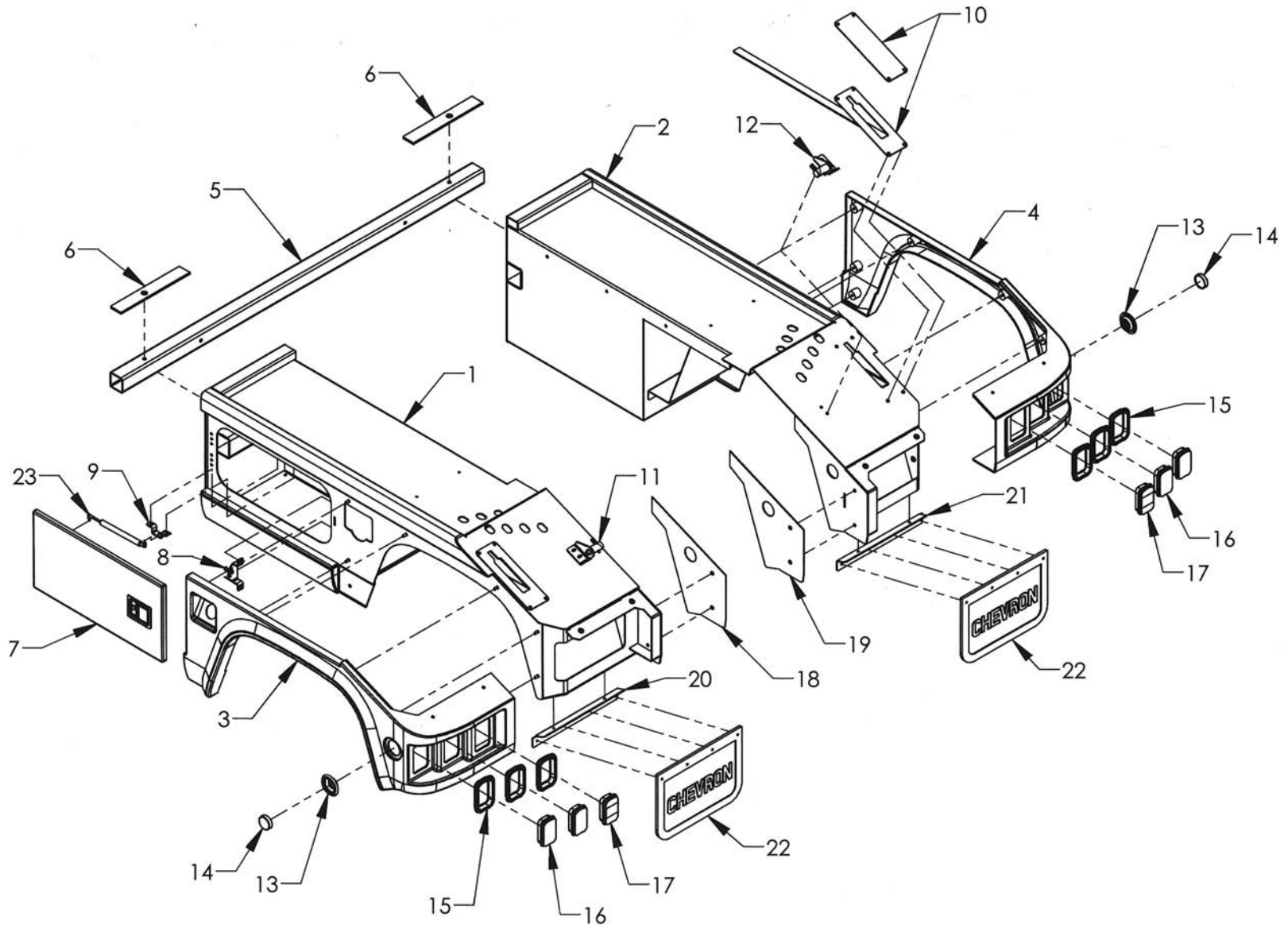


Section V - PARTS

4 SERIES HYDRAULIC STABILIZER SUBFRAME

REF	PART #	DESCRIPTION	QPU
1	264010H	5 SERIES HYDRAULIC STABILIZER SUBFRAME	1
2	2640751	MODULAR 4/5 SERIES SERVICE COVER PANEL-FRNT	1
3	2640752	MODULAR 4/5 SERIES SERVICE COVER PANEL-REAR	1
4	266058	STABILIZER ACCESS COVER	2
5	7A211	CONTROL KNOB	18
6	7A168	CONTROL HANDLE	18
7	83321	1/2 - 20 JAM NUT	18
8	262617	PIN .980 x 6.00	2
9	86100I	RETAINING RING 1.00 INTERNAL	8
10	26605D	AIR VALVE MOUNTING PLATE	1
11	266062	UHMW WEAR PAD	2
12	266061	UHMW WEAR PAD	2
13	262620-34	INNER STABILIZER TUBE	2
14	72A300144	STABILIZER CYLINDER	2
15	65714	PIN .980 x 4.625	2
16	86125E	RETAINING RING 1.25 EXTERNAL	4
17	262637	STABILIZER PAD PIVOT PIN	2
18	262630	STABILIZER PAD	2
19	262638	STABILIZER PAD POSITION PIN	2
20	84712	LYNCH PIN	2
21	6961413	CLEAT	2
22	53263	FRONT BODY MOUNTING BRACKET	2
23	532501	MIDDLE BODY MOUNTING BRACKET	2
24	37851R	TOOL BOX MOUNTING BRACKET-RIGHT	1
25	37851L	TOOL BOX MOUNTING BRACKET-LEFT	1
26	54M4190H	SIDE BODY MOUNTING GASKET	2
27	54M4191L	REAR BODY MOUNTING GASKET - LEFT	1
28	54M4191R	REAR BODY MOUNTING GASKET - RIGHT	1
29	84716	6-1/2 TON SHACKLE AND SCREW PIN	4
30	265034	COUNTERBALANCE MOUNTING BRACKET	1
31	03004099	WRECKER CONTROL TRAY PLUG	18

Section V - PARTS
4 SERIES ALUMINUM INTEGRATED MODULAR BOXES



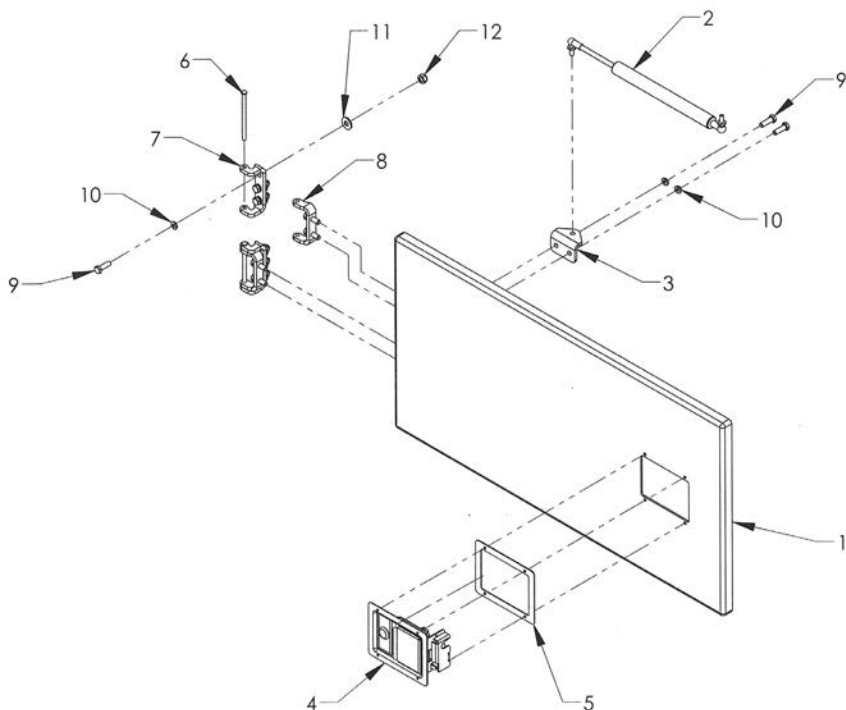
Section V - PARTS

4 SERIES MODULAR BOXES

REF	PART #	DESCRIPTION	QPU
1	54M40060L	MODULAR BOX DRIVER SIDE	1
2	54M4060R	MODULAR BOX PASSENGER SIDE	1
3	54M4150L	FIBERGLASS REAR CORNER PANEL - LEFT	1
4	54M4150R	FIBERGLASS REAR CORNER PANEL - RIGHT	1
5	54M4195	MODULAR BOX MOUNTING TUBE	1
6	54601	MOUNTING TUBE RUBBER GASKET	2
7	54M4160G	MODULAR SIDE DOOR GROUP	2
8	54M4145	DOOR LATCH BRACKET	2
9	54M4166	DOOR CYLINDER MOUNTING BRACKET	2
10	5462B0	WHEEL RETAINER STORAGE GUARD, CONV'T'L.	2
	5462B3	L-ARM POCKET HOLE COVER, AUTOGRIP	2
11	59240L	WHEEL RETAINER LOCK PIN - LEFT	1
12	59240R	WHEEL RETAINER LOCK PIN - RIGHT	1
13	93150	MARKER LIGHT GROMMET	2
14	93100R	RED REFLECTIVE MARKER LIGHT	2
15	96650	TAIL LIGHT GROMMET	6
16	95600	TAIL LIGHT	4
17	95500	BACK UP LIGHT	2
18	54M4191L	MODULAR BOX DRIVER SIDE RUBBER GASKET	1
19	54M4191R	MODULAR BOX PASS. SIDE RUBBER GASKET	1
20	54M413AL	MUDFLAP MOUNTING BRACKET - LEFT	1
21	54M413AR	MUDFLAP MOUNTING BRACKET - RIGHT	1
22	A1040	MUDFLAP 20 x 14	2
23	5AGS087-0675MD10-020	GAS CYLINDER	2

Section V - PARTS

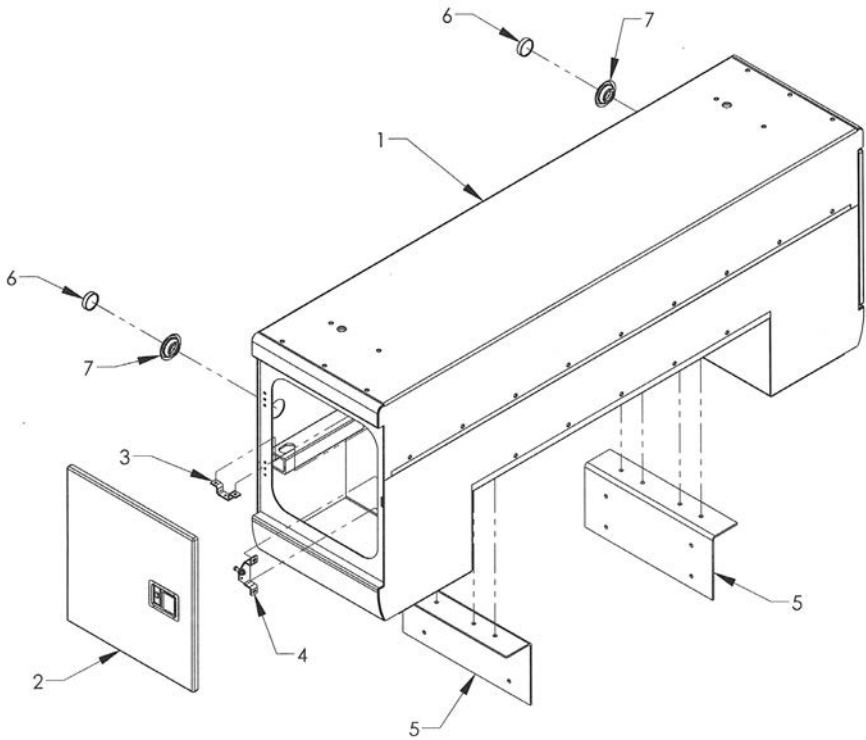
4 SERIES MODULAR BOX DOOR GROUP



REF	PART #	DESCRIPTION	QPU
1	54M4160	ALUMINUM WRECKER DOOR WELDMENT	1
2	5AGS08-0675MD10-020	GAS SPRING CYLINDER	1
3	54M4165	DOOR CYLINDER MOUNTING BRACKET	1
4	54658	ROTARY PADDLE LATCH	1
5	54657	GASKET - PADDLE LATCH	1
6	54M4183	DOOR HINGE PIN	2
7	54M4181	DOOR HINGE OUTER	2
8	54M4182	DOOR HINGE INNER	2
9	81110	BOLT, 5/16-18 UNC x 1	2
10	82130	LOCK WASHER 5/16	2
11	82110	FLAT WASHER 5/16	2
12	83125	NYLON LOCK NUT 5/16-18 UNC	1

Section V - PARTS

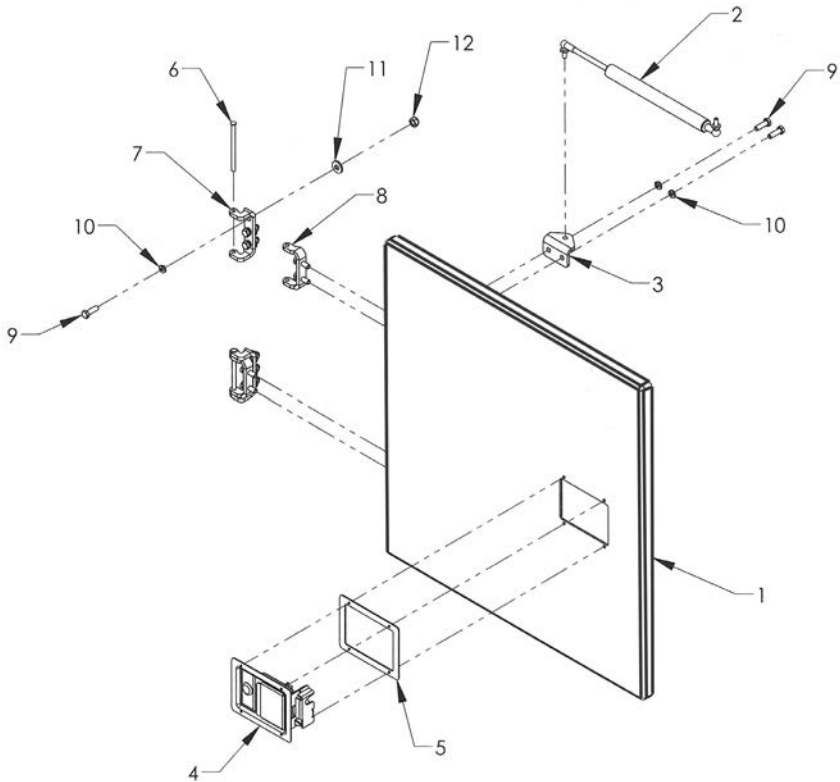
4 SERIES ALUMINUM TUNNEL BOX GROUP (24 x 92)



REF	PART #	DESCRIPTION	QPU
1	54M41024	ALUMINUM WRECKER TUNNEL BOX	1
2	54M4170G	TUNNEL BOX DOOR GROUP - 24 IN.	2
3	54M4166	DOOR CYLINDER MOUNTING BRACKET	2
4	54M4145	DOOR LATCH BRACKET	2
5	54598	TUNNEL BOX MOUNTING BRACKET	2
6	93100A	AMBER REFLECTIVE MARKER LIGHT	2
7	93150	MARKER LIGHT GROMMET	2

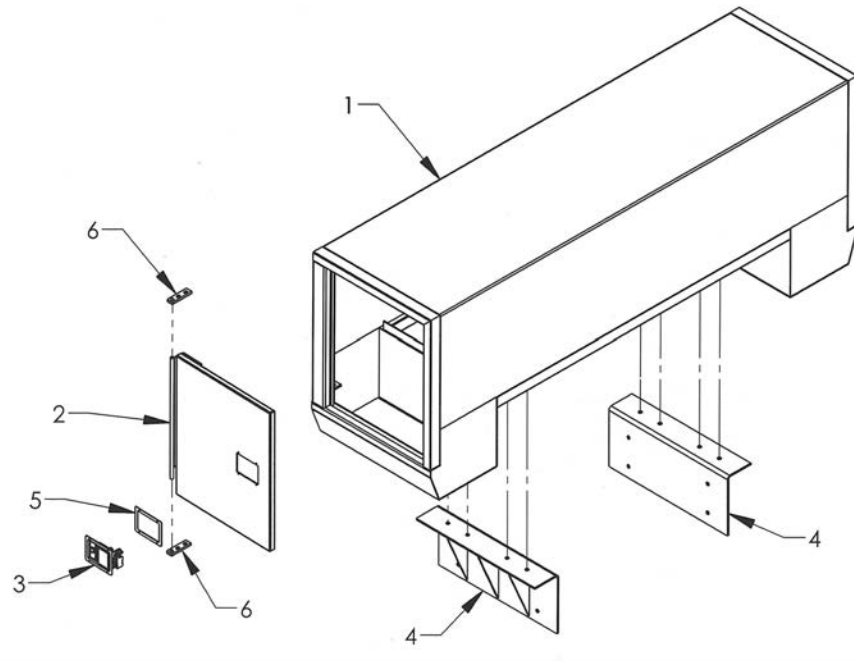
Section V - PARTS

4 SERIES ALUMINUM TUNNEL BOX DOOR



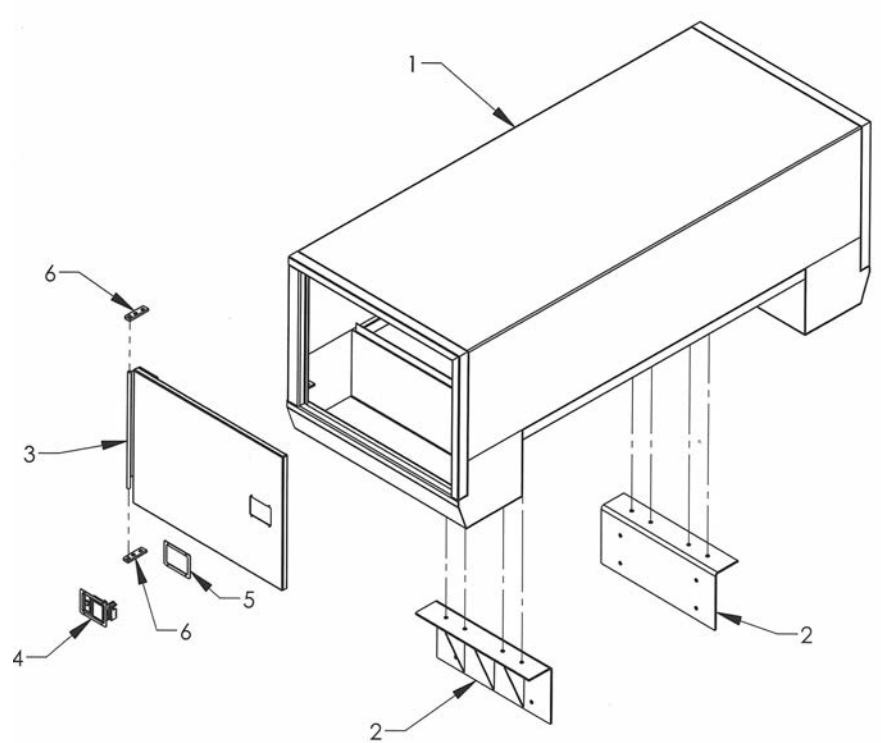
REF	PART #	DESCRIPTION	QPU
1	54M4170	ALUMINUM WRECKER DOOR WELDMENT	1
2	5AGS08-0675MD10-020	GAS SPRING CYLINDER	1
3	54M4165	DOOR CYLINDER MOUNTING BRACKET	1
4	54658	ROTARY PADDLE LATCH	1
5	54657	GASKET - PADDLE LATCH	1
6	54M4183	DOOR HINGE PIN	2
7	54M4181	DOOR HINGE OUTER	2
8	54M4182	DOOR HINGE INNER	2
9	81110	BOLT, 5/16-18 UNC x 1	12
10	82130	LOCK WASHER 5/16	12
11	82110	FLAT WASHER 5/16	6
12	83125	NYLON LOCK NUT 5/16-18 UNC	6

Section V - PARTS
4 SERIES STEEL TUNNEL BOX GROUP (24 x 86)



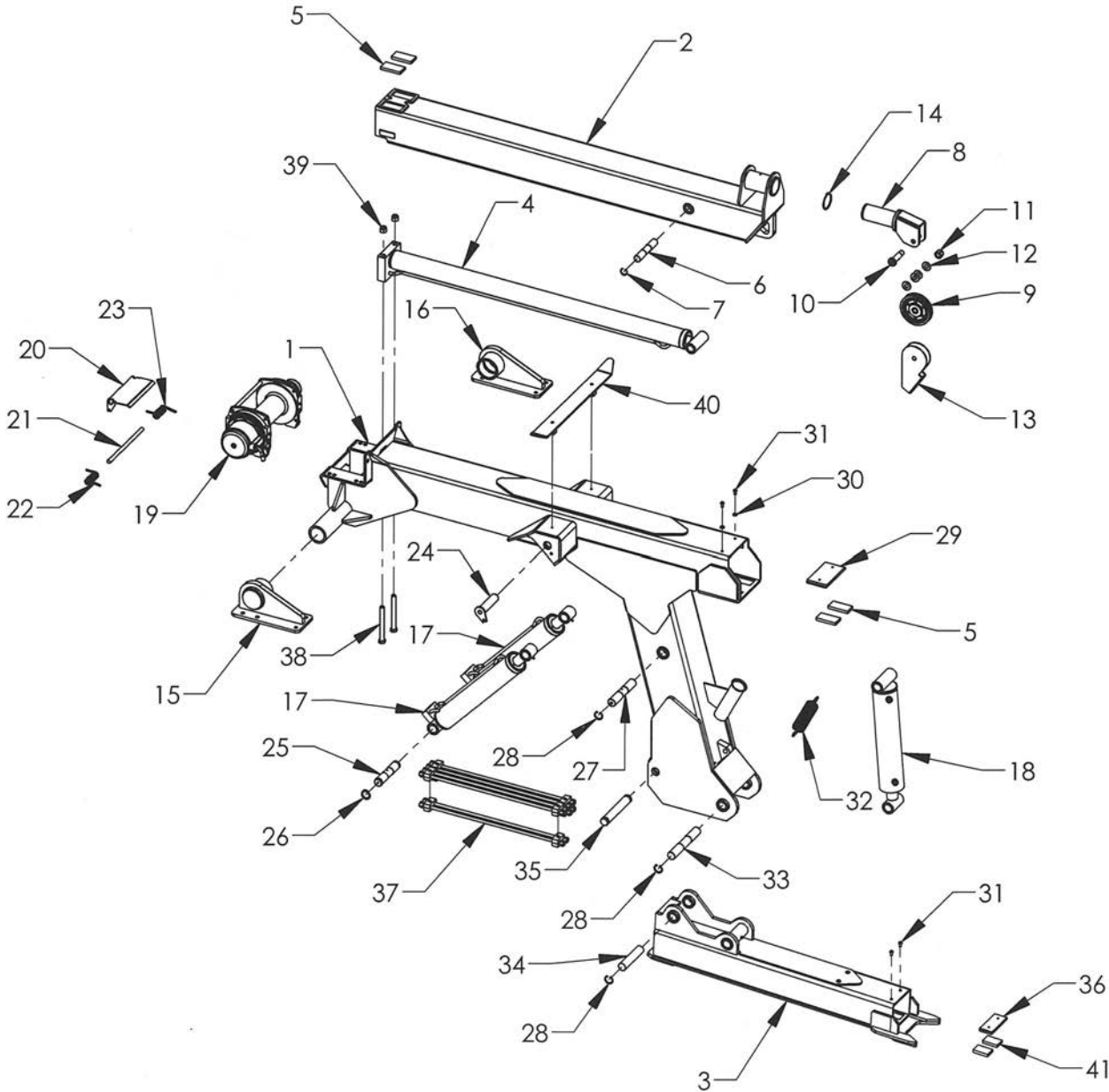
REF	PART #	DESCRIPTION	QPU
1	5484524	24 INCH STEEL TUNNEL BOX WELDMENT	1
2	5484024	24 INCH TUNNEL BOX DOOR	2
3	54658	ROTARY PADDLE LATCH	2
4	548515	TUNNEL BOX MOUNTING BRACKE	2
5	54657	GASKET - PADDLE LATCH	2
6	54863	TUNNEL BOX DOOR HINGE MOUNT	4

Section V - PARTS
4 SERIES STEEL TUNNEL BOX GROUP (36 x 86)



REF	PART #	DESCRIPTION	QPU
1	548236	36 INCH STEEL TUNNEL BOX WELDMENT	1
2	548515	TUNNEL BOX MOUNTING BRACKET	2
3	5484036	36 INCH TUNNEL BOX DOOR	2
4	54658	ROTARY PADDLE LATCH	2
5	54657	GASKET - PADDLE LATCH	2
6	54863	TUNNEL BOX DOOR HING MOUNT	4

Section V - PARTS
4 SERIES INTEGRATED BOOM ASSEMBLY SINGLE LINE

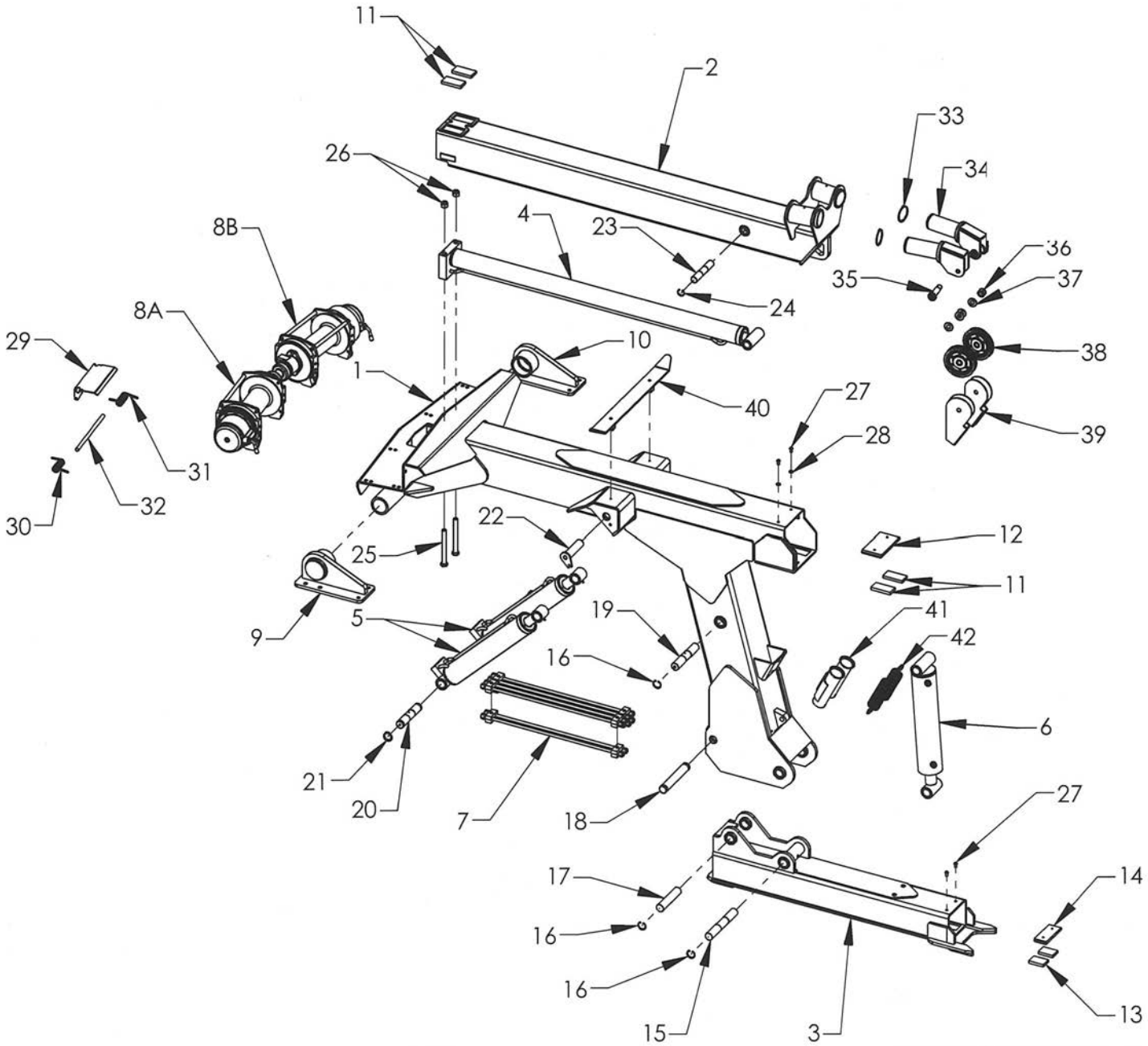


Section V - PARTS

4 SERIES INTEGRATED BOOM SINGLE LINE

REF	PART #	DESCRIPTION	QPU
1	611033	408T L-BOOM	1
2	611053	408T INNER BOOM TUBE	1
3	611071	UNDERLIFT OUTER TUBE - AUTOGRIP	1
	611072	UNDERLIFT OUTER TUBE - CONVENTIONAL	1
4	720133	408T BOOM EXTENSION CYLINDER	1
5	63595	NYLATRON WEAR PAD 1/2 x 2 x 4	4
6	611339	4 SERIES BOOM EXTENSION CYL. ROD MTG. PIN	1
7	86125I	SNAP RING 1-1/8 INTERNAL	2
8	61336	BOOM END SWIVEL - 408/512	1
9	69120	PULLEY 6 INCH	1
10	61368	PULLEY BOLT	1
11	83610	HEX NUT 7/8 x 14 UNF	1
12	82510	FLAT WASHER 3/4	4
13	61370	CABLE FOLLOWER	1
14	86287E	SNAP RING 2-7/8 EXTERNAL	2
15	611330L	TRUNNION BRACKET - LEFT	1
16	611330R	TRUNNION BRACKET - RIGHT	1
17	72A35016	4 SERIES BOOM LIFT CYLINDER	2
18	720122	408VT VERTICAL FOLD CYLINDER	1
19	71102L	WINCH 9000 LB. PLANETARY	1
20	A9016PLT	CABLE TENSIONER PLATE	1
21	A9005001	CABLE TENSIONER PIN 5/8 x 13 STAINLESS STEEL	1
22	71W73827	TENSIONER TORSION SPRING LH	1
23	71W73826	TENSIONER TORSION SPRING RH	1
24	611240	LIFT CYLINDER PIN - ROD END	2
25	614245	BOOM LIFT CYLINDER BASE PIN	2
26	86150E	SNAP RING 1-1/2 EXTERNAL	2
27	611545	POWER TILT BASE PIN	1
28	86150I	SNAP RING 1-1/2 INTERNAL	4
29	63431	BOOM SHIM PAD	1
30	82210	FLAT WASHER 3/8	2
31	812A8	BOLT 3/8-16 UNC BUTTON HEAD	4
32	86910	CABLE TENSION SPRING	1
33	6116202	PIN - OUTER BOOM PIVOT	1
34	611740	PIN - POWER TILT ROD	1
35	611625	POWER TILT RESTRICTOR PIN	1
36	65621	BEARING PAD - STINGER	1
37	6150110G	408-512 BOOM PIPE ASSEMBLY GROUP	4
38	81670	BOLT 3/4 x 7 GRADE 8 COARSE THREAD	2
39	83521	3/4 COARSE THREAD NYLON LOCK NUT	2
40	611470	RENEGADE BOOM ANTLER	1
41	65612	NYLATRON WEAR PAD 1/2 x 2 x 3	2

Section V - PARTS
4 SERIES INTEGRATED BOOM ASSEMBLY TWIN LINE

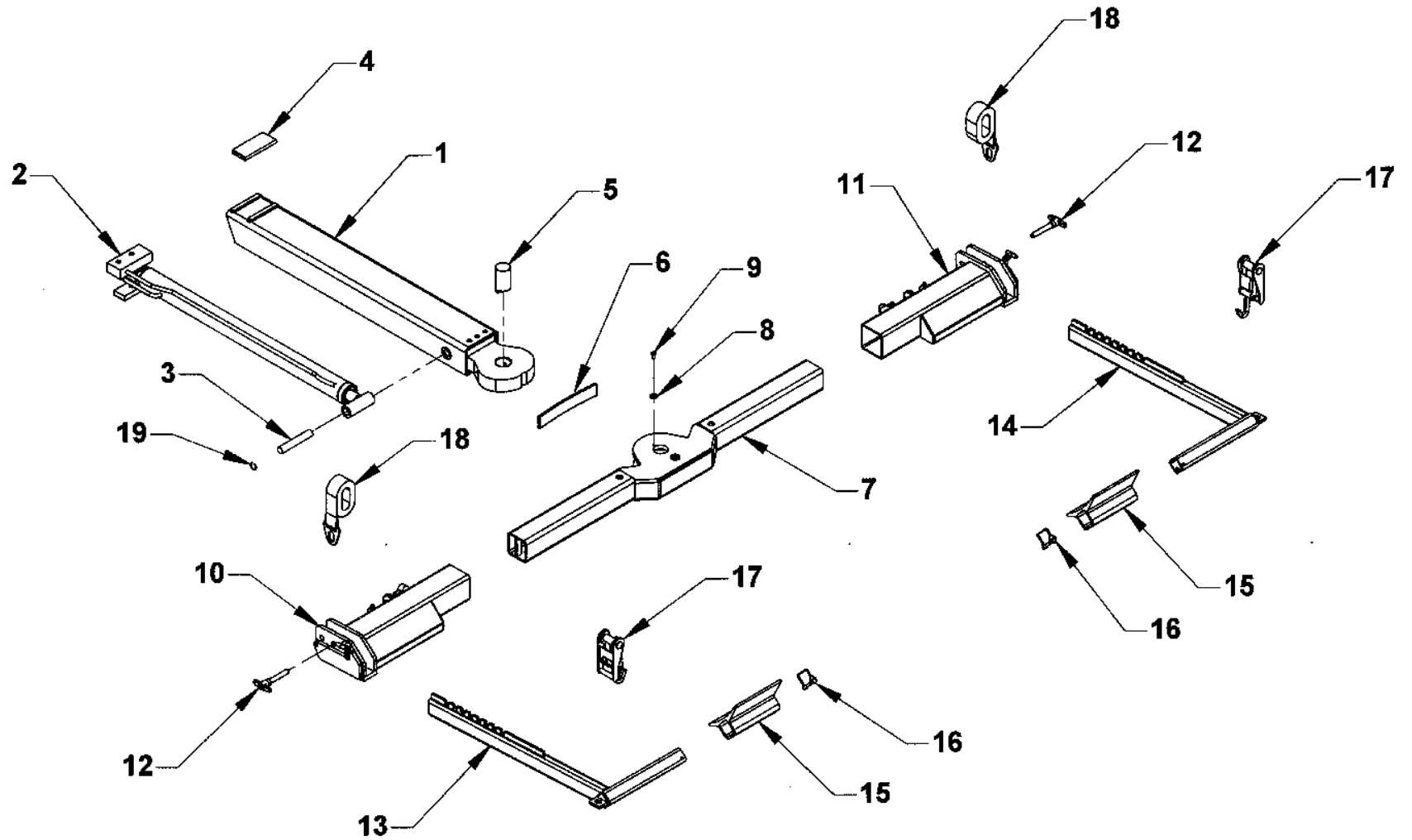


Section V - PARTS

4 SERIES INTEGRATED BOOM TWIN LINE

REF	PART #	DESCRIPTION	QPU
1	6I1034	INTEGRATED BOOM - OUTER 408T2	1
2	6I1054	INNER BOOM TUBE - 408T2	1
3	6I1071	UNDERLIFT OUTER TUBE - AUTOGRIP	1
	6I1072	UNDERLIFT OUTER TUBE - CONVENTIONAL	1
4	720133	BOOM EXTENSION CYLINDER	1
5	72A35016	BOOM LIFT CYLINDER	2
6	720122	408VT BOOM TILT/FOLD CYLINDER	1
7	6I501106	408/512 BOOM PIPE ASSEMBLY GROUP	4
8A	71102L	9000 LB. PLANETARY WINCH - LEFT	1
8B	71102R	9000 LB. PLANETARY WINCH - RIGHT	1
9	6I1330L	TRUNNION BRACKET - LEFT	1
10	6I1330R	TRUNNION BRACKET - RIGHT	1
11	63595	NYLATRON WEAR PAD 1/2 x 2 x 4	4
12	63431	UHMW WEAR PAD 1/2 x 4 x 8	1
13	65612	NYLATRON WEAR PAD 1/2 x 2 x 3	2
14	65621	UHMW WEAR PAD 1/2 x 2-1/2 x 6	1
15	6I16202	UNDERLIFT PIVOT PIN 1480 x 10	1
16	86150I	SNAP RING 1-1/2 INTERNAL	2
17	6I1740	UNDERLIFT TILT PIN 1.480 x 7	1
18	6I1625	POWER TILT RESTRICTOR PIN	1
19	6I1545	POWER TILT BASE PIN 1.480 x 8-1/4	1
20	6I4245	UNDERLIFT TILT PIN 1.480 x 8-1/8	1
21	86150E	SNAP RING 1-1/2 EXTERNAL	2
22	6I1240	BOOM LIFT CYLINDER PIN	1
23	6I1339	PIN - BOOM EXTENSION CYLINDER	2
24	86125I	SNAP RING 1-1/4 INTERNAL	2
25	81670	BOLT 3/4 x 7 GRADE 8 COARSE THREAD	1
26	83521	NYLON LOCK NUT 3/4 COARSE THREAD	2
27	812A5	BUTTON HEAD BOLT 3/8-16 UNC x 3/4	4
28	82210	3/8 FLAT WASHER	2
29	A9016PLT	CABLE TENSIONER PLATE	4
30	71W73827	TENSIONER TORSION SPRING LH	2
31	71W73826	TENSIONER TORSION SPRING RH	2
32	A9005001	CABLE TENSIONER PIN 5/8 x 13 STAINLESS STEEL	2
33	86287E	SNAP RING 2-7/8 EXTERNAL	2
34	61366	BOOM END SWIVEL - 408/512	2
35	61368	PULLEY BOLT	2
36	83610	HEX NUT 7/8 x 14 UNF	2
37	82510	FLAT WASHER 3/4	8
38	69120	PULLEY 6 INCH	2
39	61370	CABLE FOLLOWER	2
40	6I1470	RENGADE BOOM ANTLER	1
41	6I60280	TWIN LINE CABLE TENSION SPRING BRACKET	1
42	86910	CABLE TENSION SPRING	2

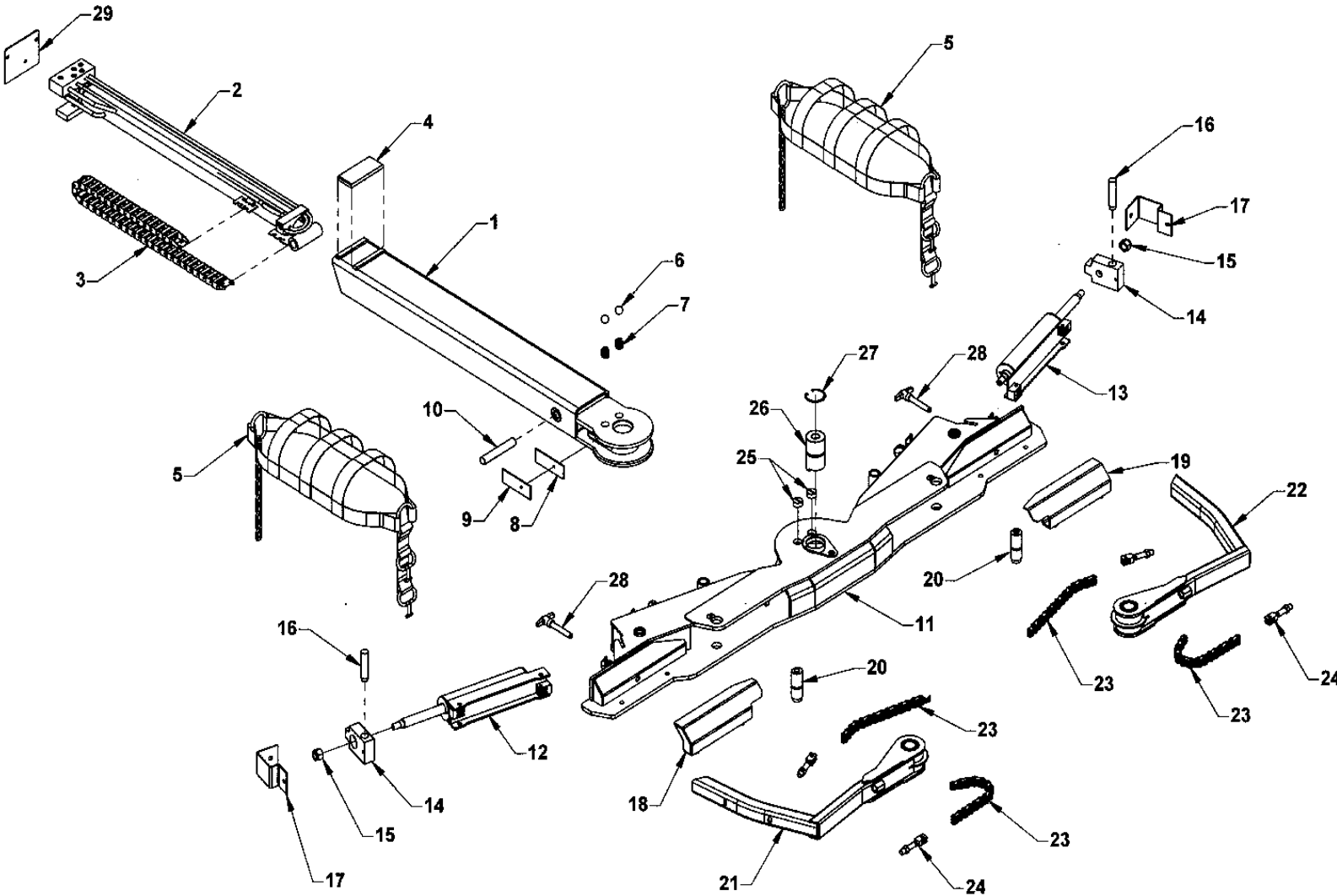
Section V - PARTS
4 SERIES WHEEL LIFT COMPONENTS (STANDARD)



Section V - PARTS
4 SERIES WHEEL LIFT COMPONENTS(STANDARD)

REF	PART #	DESCRIPTION	QPU
1	611088	INNER BOOM	1
2	720163	EXTENSION CYLINDER	1
3	643572	PIN - .980 x 5.812	1
4	65621	NYLATRON WEAR PAD	1
5	65435	CROSSBAR PIVOT PIN	1
6	65228	DETENT LEAF SPRING	1
7	65515	CROSSBAR	1
8	82210	3/8 FLAT WASHER - HEAVY DUTY	1
9	812A5	BOLT 3/8 x 5/8 BUTTON HEAD	1
10	65265L	WHEEL GRID - LEFT	1
11	65265R	WHEEL GRID - RIGHT	1
12	84921	T-PIN WITH LANYARD	2
13	65250L	L-ARM - LEFT	1
14	65250R	L-ARM - RIGHT	1
15	65245	WHEEL PAN	2
16	84911	5/16 SAFETY SNAP PIN	2
17	65280A	RATCHET	2
18	65285	STRAP	2
19	86100I	SNAP-RING 1.00 INCH INTERNAL	2

Section V - PARTS
4 SERIES WHEEL LIFT COMPONENTS (AUTOGRIP)



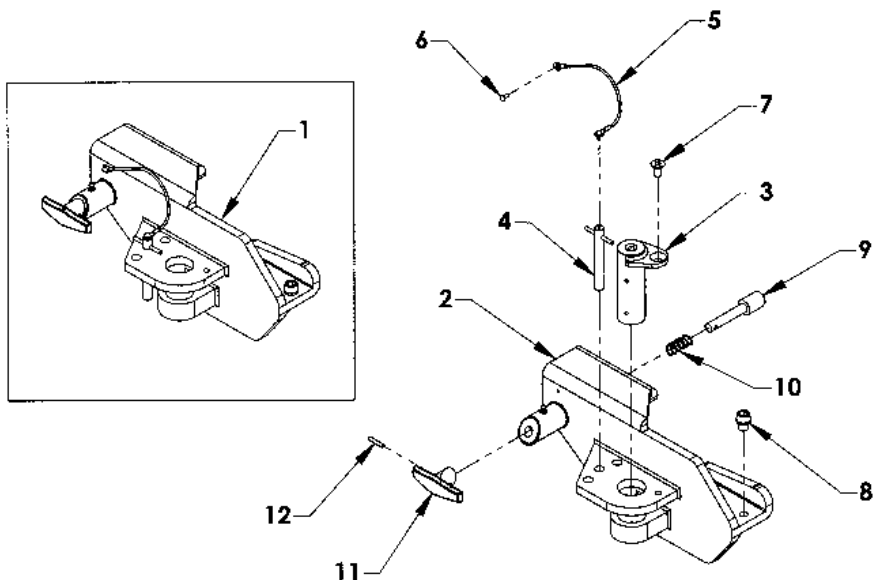
Section V - PARTS

4 SERIES WHEEL LIFT COMPONENTS (AUTOGRIP)

REF	PART #	DESCRIPTION	QPU
1	6I1086	INNER TUBE	1
2	720144	EXTENSION CYLINDER	1
3	69726	HOSE TRACK	1
4	65621	NYLATRON WEAR PAD	1
5	65286	BASKET STRAP - AUTO	2
	65287	BASKET STRAP - TRUCK	2
6	69325	DETENT BALL	2
7	69320	DETENT SPRING	2
8	64304R	RUBBER GASKET	2
9	64304C	HOSE CLAMP PLATE	2
10	643572	PIN .980 x 5-7/8	1
11	644002	AUTOGRIP CROSSBAR WELDMENT	1
12	720152L	L-ARM CYLINDER - LEFT	1
13	720152R	L-ARM CYLINDER - RIGHT	1
14	727162	L-ARM CYLINDER MOUNTING BLOCK	2
15	83520	NYLON LOCK NUT 3/4-16 UNF	4
16	644432	L-ARM CYLINDER MOUNTING PIN	2
17	644292	CROSSBAR GRAVEL GUARD	2
18	697402L	WHEEL CHOCK - LEFT	1
19	697402R	WHEEL CHOCK - RIGHT	1
20	644452	L-ARM PIVOT PIN	2
21	644352L	L-ARM - LEFT	1
22	644352R	L-ARM - RIGHT	1
23	87440	L-ARM CHAIN	4
	81127	5/16 x 1-1/4 SHOULDER SHCS 1/4-20 UNC	4
	83105	1/4-20 UNC NYLON LOCK NUT	4
24	64441	L-ARM CHAIN CLEVIS	4
	83411	NYLON LOCK NUT 5/8-11 UNC	4
	81126	5/16 x 1 SHOULDER SHCS 1/4-20 UNC	4
	83105	1/4-20 UNC NYLON LOCK NUT	4
25	64327	DETENT SCREW	2
26	644402	CROSSBAR PIVOT PIN	1
27	86250I	RETAINING RING 2.50 INTERNAL	1
28	84921	5/8 T-PIN	2
29	69335	GRAVEL GUARD	1

Section V - PARTS

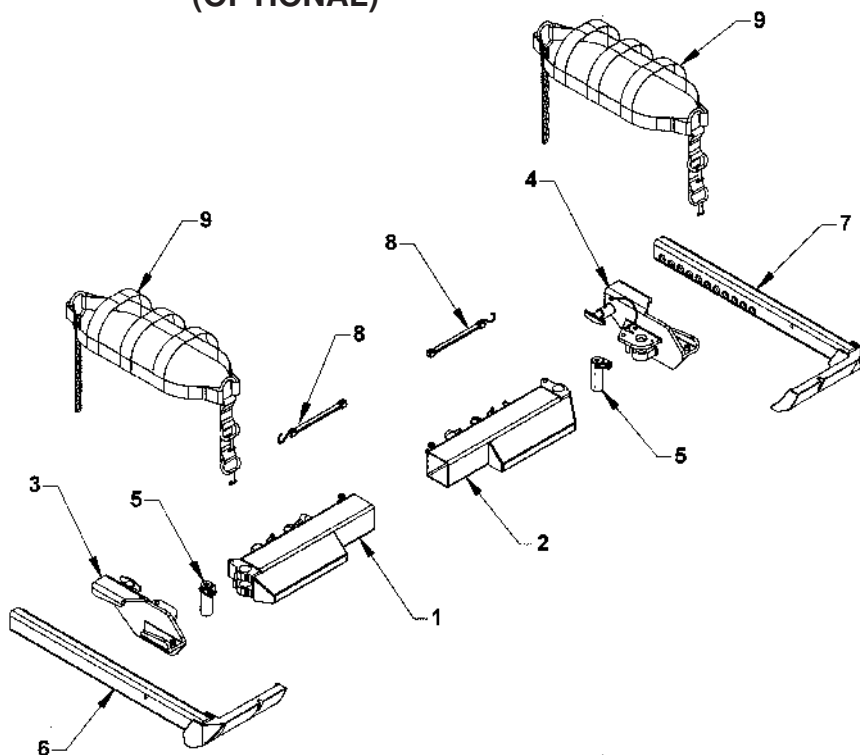
PIVOT L-ARM RECEIVER GROUP (OPTIONAL)



REF	PART #	DESCRIPTION	QPU
1	659820L	PIVOT L-ARM RECEIVER GROUP-LEFT	1
	659820R	PIVOT L-ARM RECEIVER GROUP-RIGHT (SHOWN)	1
2	659821L	PIVOT L-ARM RECEIVER CASTING-LEFT	1
	659821R	PIVOT L-ARM RECEIVER CASTING-RIGHT (SHOWN)	1
3	659822	L--ARM RECEIVER CASTING PIVOT PIN	1
4	659826	PIVOT LOCK PIN	1
5	659827	LANYARD	1
6	85016	RIVET	1
7	81225	FLAT HEAD SOCKET CAP SCREW 3/8-16 UNC x 1/2	1
8	81226	TAPERED SOCKET CAP SCREW 1/2-13 UNC x 1/2	1
9	659824	7/8 CAM PIN	1
10	89100	CAM PIN SPRING	1
11	659825	T-HANDLE	1
12	84675	ROLL PIN 3/16 x 1	1

Section V - PARTS

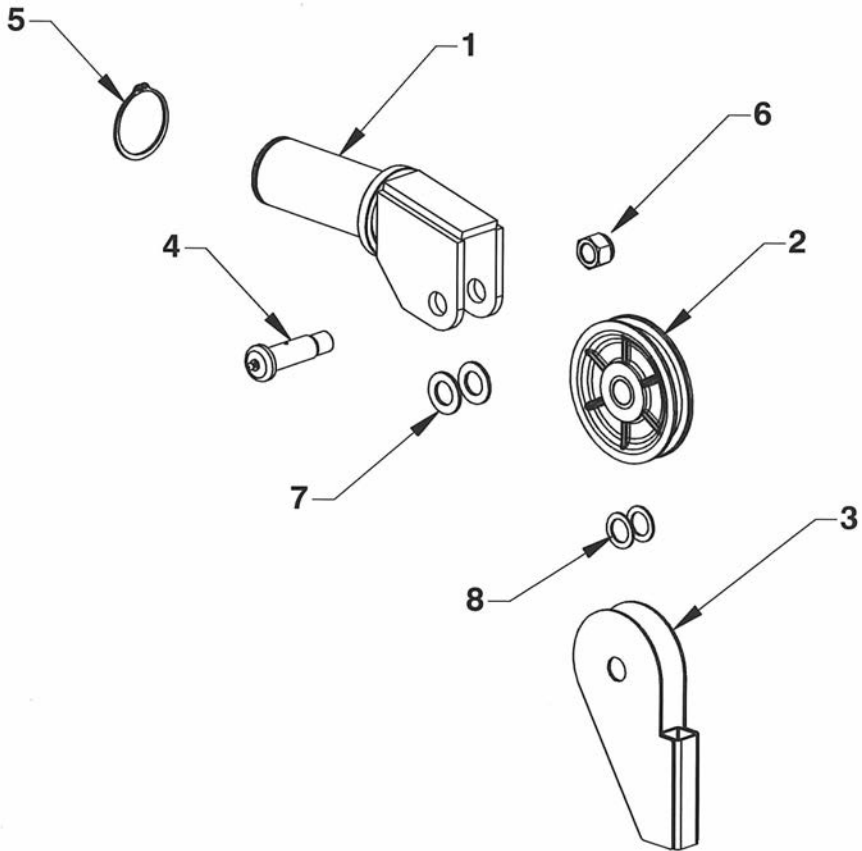
PIVOT WHEEL GRIDS AND L-ARMS (OPTIONAL)



REF	PART #	DESCRIPTION	QPU
1	659815L	PIVOT WHEEL GRID-LEFT	1
2	659815R	PIVOT WHEEL GRID-RIGHT	1
3	659820L	PIVOT L-ARM RECEIVER GROUP-LEFT	1
4	659820R	PIVOT L-ARM RECEIVER GROUP-RIGHT	1
5	659822	L-ARM RECEIVER CASTING PIVOT PIN	1
6	659830L	LEFT ALUMINUM L-ARM	1
7	659830R	RIGHT ALUMINUM L-ARM	1
8	AA009G	RUBBER TENSION STRAP WITH S-HOOK	2
9	65286	BASKET STRAP-CAR	2
	65287	BASKET STRAP-TRUCK	2

Section V - PARTS

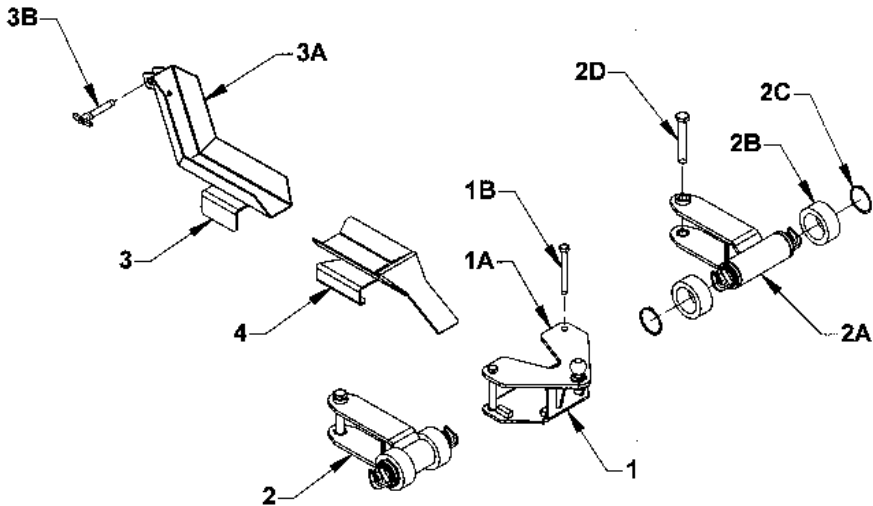
4 SERIES BOOM END SWIVEL



REF	PART #	DESCRIPTION	QPU
1	61369	BOOM END SWIVEL	1
2	69125	PULLEY - 6 INCH	1
3	61379	CABLE FOLLOWER	1
4	61368	PIN .980 x 3-5/8	1
5	86287E	RETAINING RING 2-7/8 EXTERNAL	1
6	83610	NYLON LOCK NUT 7/8-14	1
7	82710	FLAT WASHER 1.00 x 1-1/2 x .120	2
8	82718	FLAT WASHER 1.00 x 1-1/2 x .060	2

Section V - PARTS

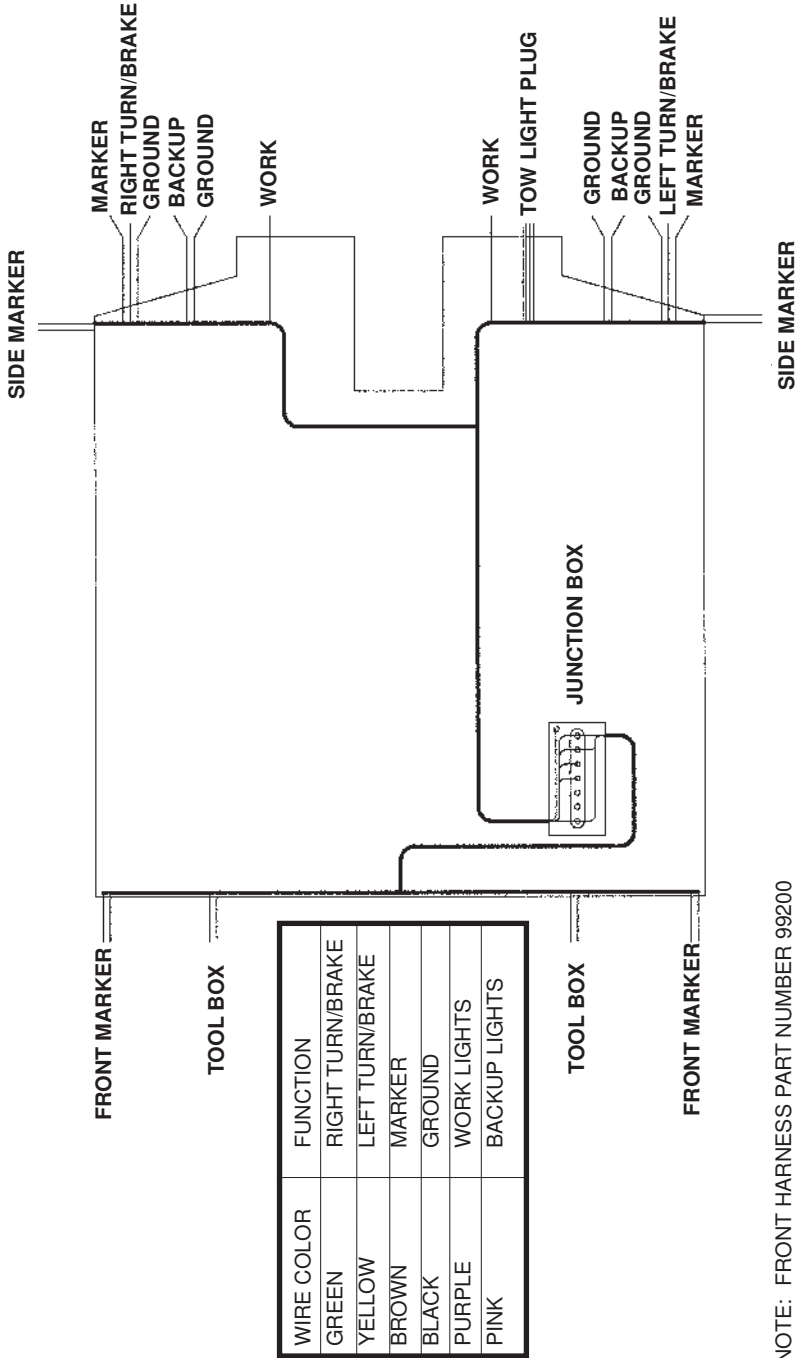
4 SERIES AUTOGRIP ATTACHMENTS



REF	PART #	DESCRIPTION	QPU
1	694510G	TOW BALL ATTACHMENT GROUP (BALL EXCLUDED)	1
1A	694510	TOW BALL BRACKET WELDMENT	1
1B	816665	BOLT 3/4-10 UNC x 6.5	2
2	649002G	TOW BAR ATTACHMENT GROUP	2
2A	649002	TOW BAR WELDMENT	1
2B	64910	RUBBER RING	2
2C	86350E	RETAINING RING 3.5 EXTERNAL	2
2D	81815	BOLT 1.00-8 UNC x 6.5	1
3	694540G	MOTORCYCLE FRONT TIRE SADDLE GROUP	1
3A	6954540	MOTORCYCLE FRONT TIRE SADDLE	1
3B	84922	T-PIN 3/4 x 4	1
4	694550	MOTORCYCLE REAR TIRE SADDLE	1
	694560	STRAP TIE-DOWN KIT (NOT SHOWN)	1

Section VII - SCHEMATICS

WRECKER BODY WIRING

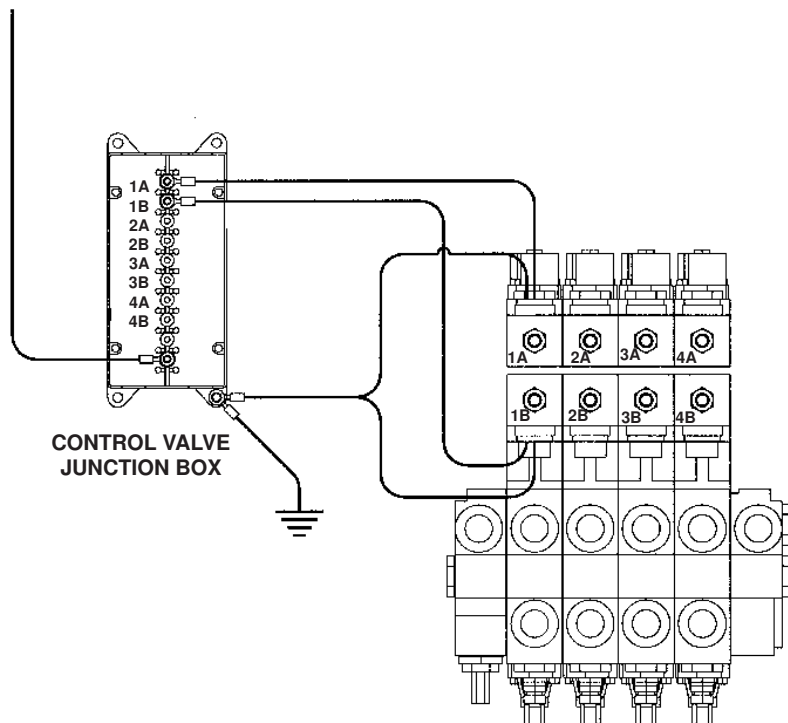


NOTE: FRONT HARNESS PART NUMBER 99200
 REAR HARNESS PART NUMBER 99041

Section VII - SCHEMATICS

WIRE DIAGRAM FOR ELECTRIC REMOTE CONTROLS

POWER FROM
SWITCH PANEL
TO HAND HELD
REMOTE CONTROL



REMOTE CONTROL UNIT		
LABEL	FUNCTION	COLOR
1A	UNDERLIFT UP	ORANGE
1B	UNDERLIFT DOWN	BLUE
2A	POWER TILT UP	BLACK
2B	POWER TILT DOWN	WHITE/BLACK
3A	UNDERLIFT IN	WHITE
3B	UNDERLIFT OUT	GREEN
4A	ARMS OPEN	GREEN/BLACK
4B	ARMS CLOSE	RED/BLACK
	POWER	RED

UNDERLIFT UP-DOWN

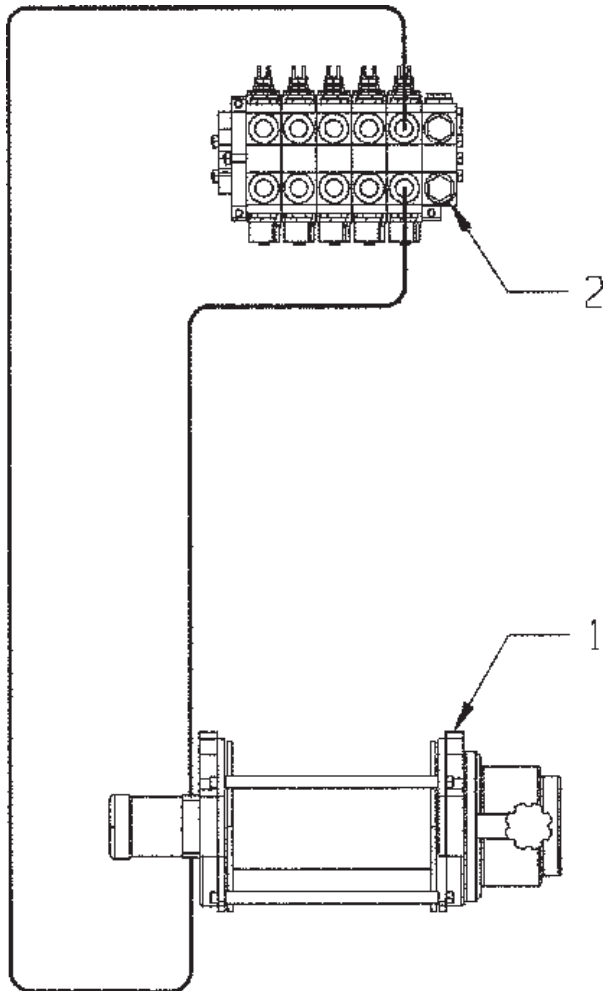
POWER TILT UP-DOWN

WHEELIFT IN-OUT

ARMS OPEN-CLOSE

Section VII - SCHEMATICS

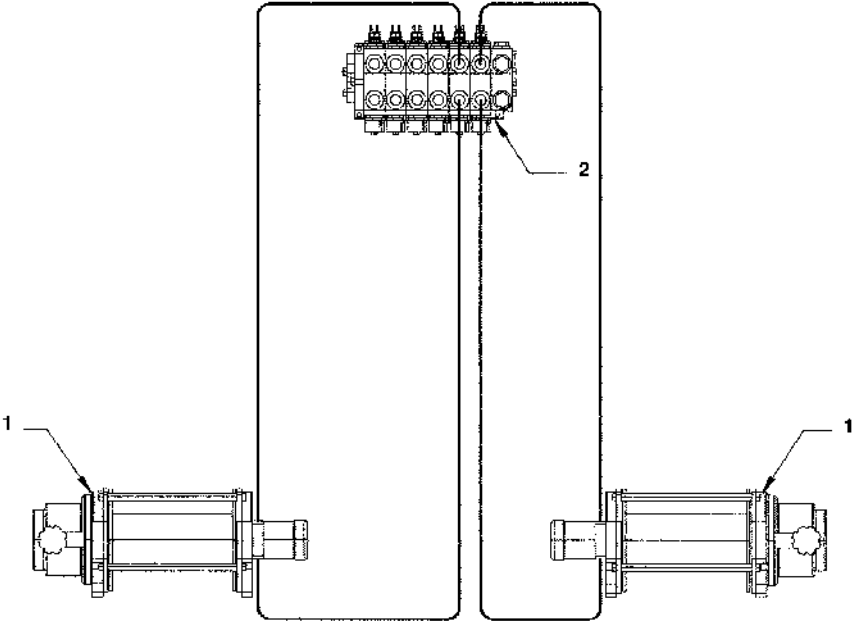
SINGLE WINCH HYDRAULICS



REF	PART #	DESCRIPTION	QPU
1	71102L	WINCH	1
2	74225S	CONTROL VALVE - 5 SPOOL	1

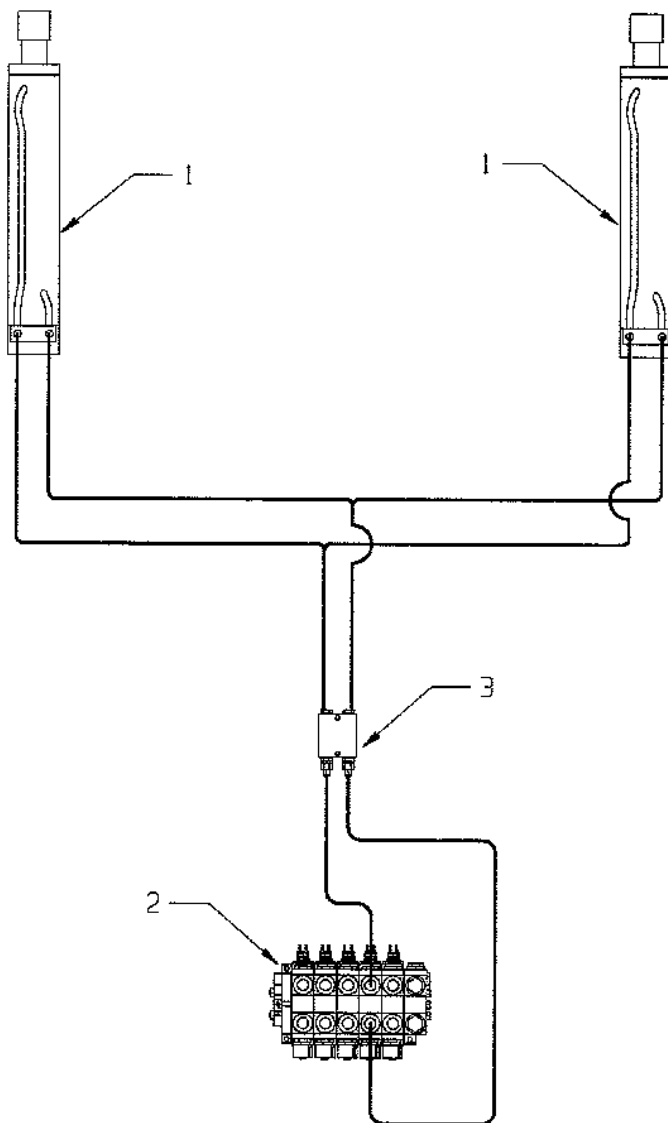
Section VII - SCHEMATICS

TWIN WINCH HYDRAULICS



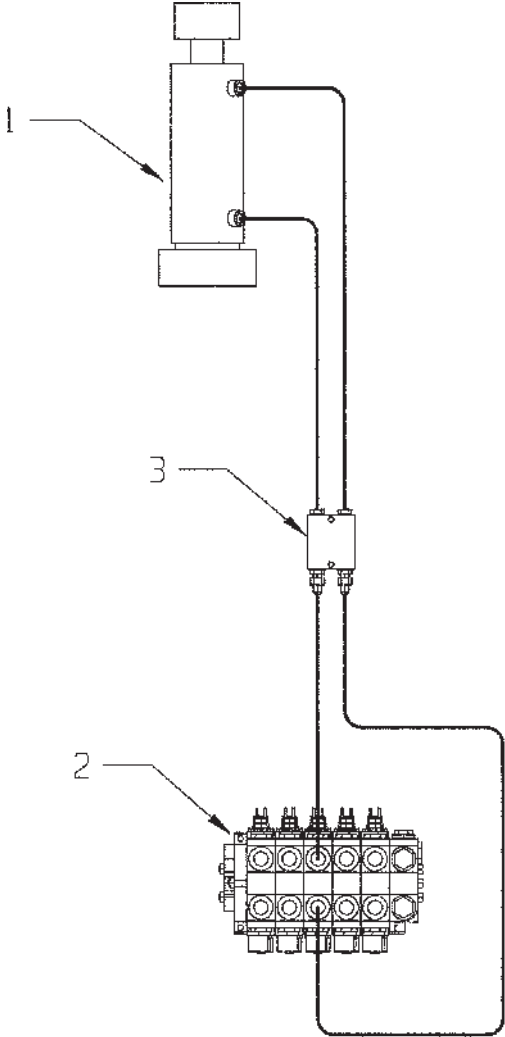
REF	PART #	DESCRIPTION	QPU
1	71102L	WINCH	1
	71102R	WINCH	1
2	74226S	CONTROL VALVE - 6 SPOOL	1

Section VII - SCHEMATICS BOOM UP-DOWN HYDRAULICS



REF	PART #	DESCRIPTION	QPU
1	72011	LIFT CYLINDER	2
2	74225S	CONTROL VALVE - 5 SPOOL	1
3	74335	LOCK VALVE	1

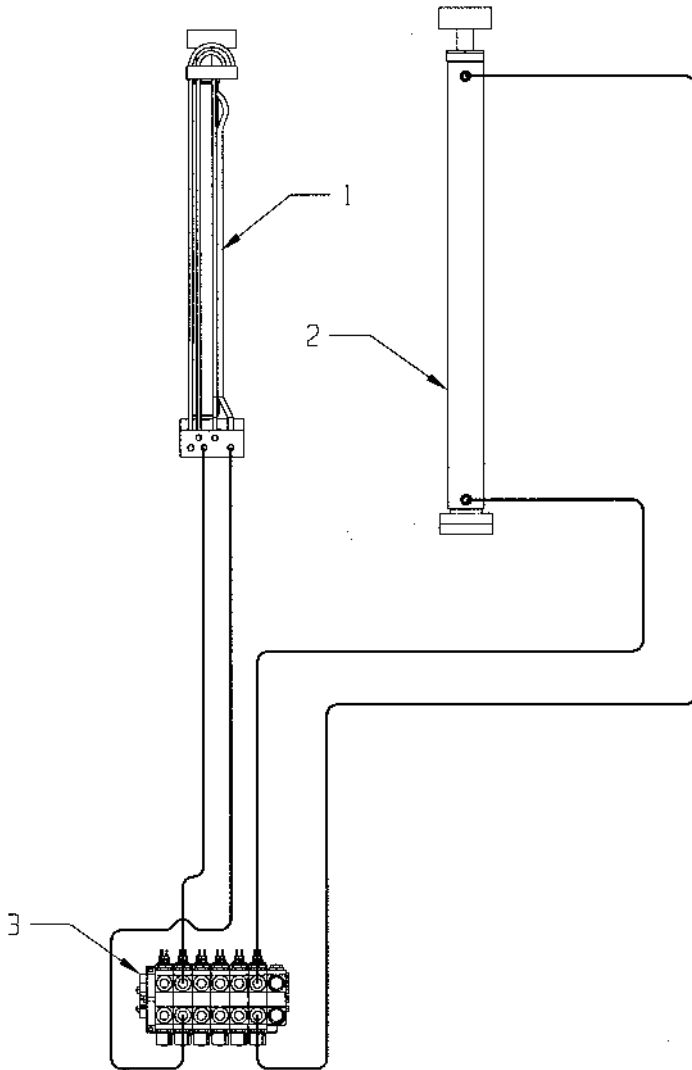
Section VII - SCHEMATICS
POWER TILT HYDRAULICS



REF	PART #	DESCRIPTION	QPU
1	72012	TILT CYLINDER	1
2	74225S	CONTROL VALVE	1
3	74335	LOCK VALVE	1

Section VII - SCHEMATICS

UNDERLIFT IN-OUT HYDRAULICS

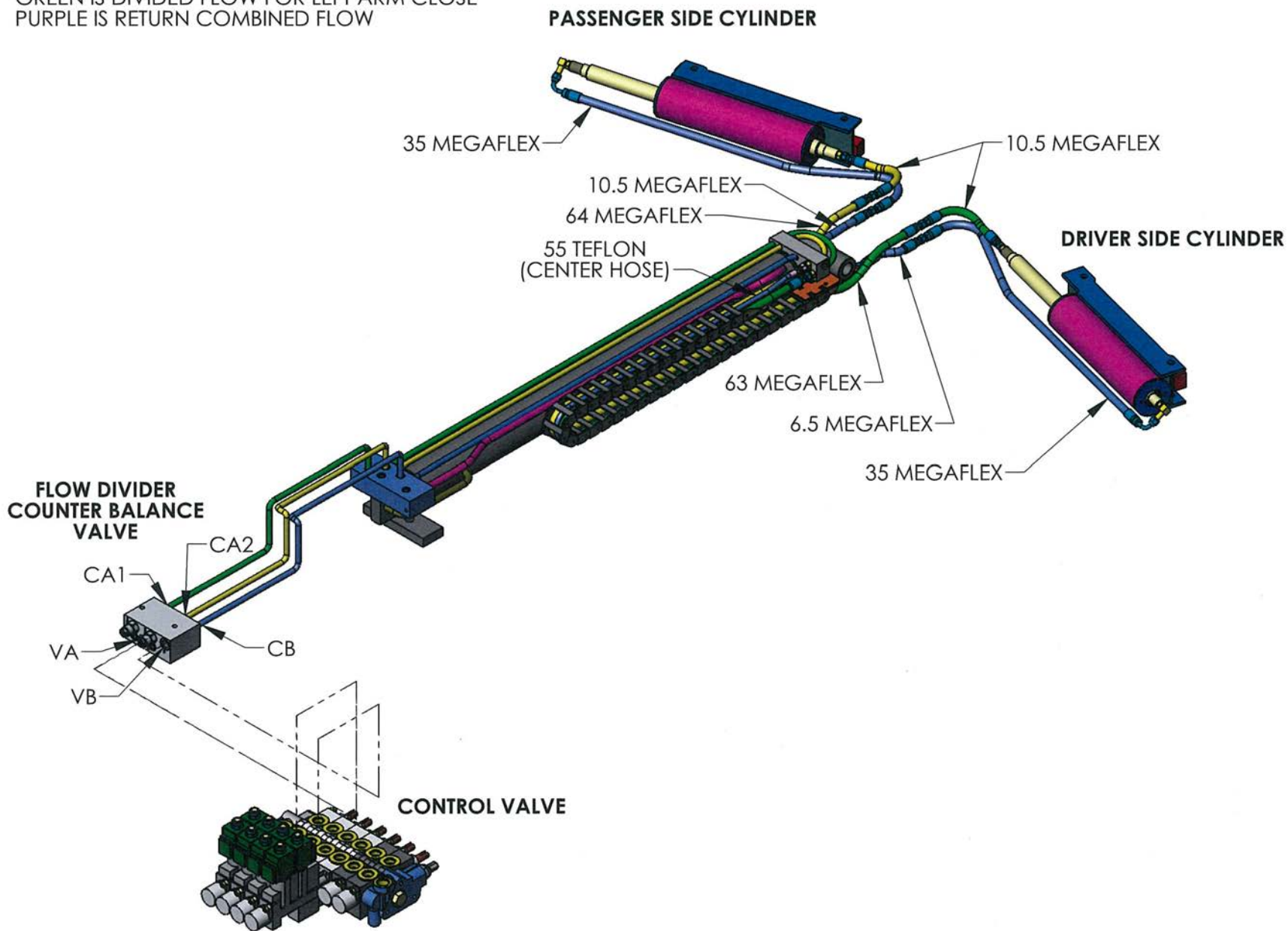


REF	PART #	DESCRIPTION	QPU
1	72014	LOWER EXTENSION CYLINDER	1
2	72013	UPPER EXTENSION CYLINDER	1
3	74336	CONTROL VALVE	1

SCHEMATICS

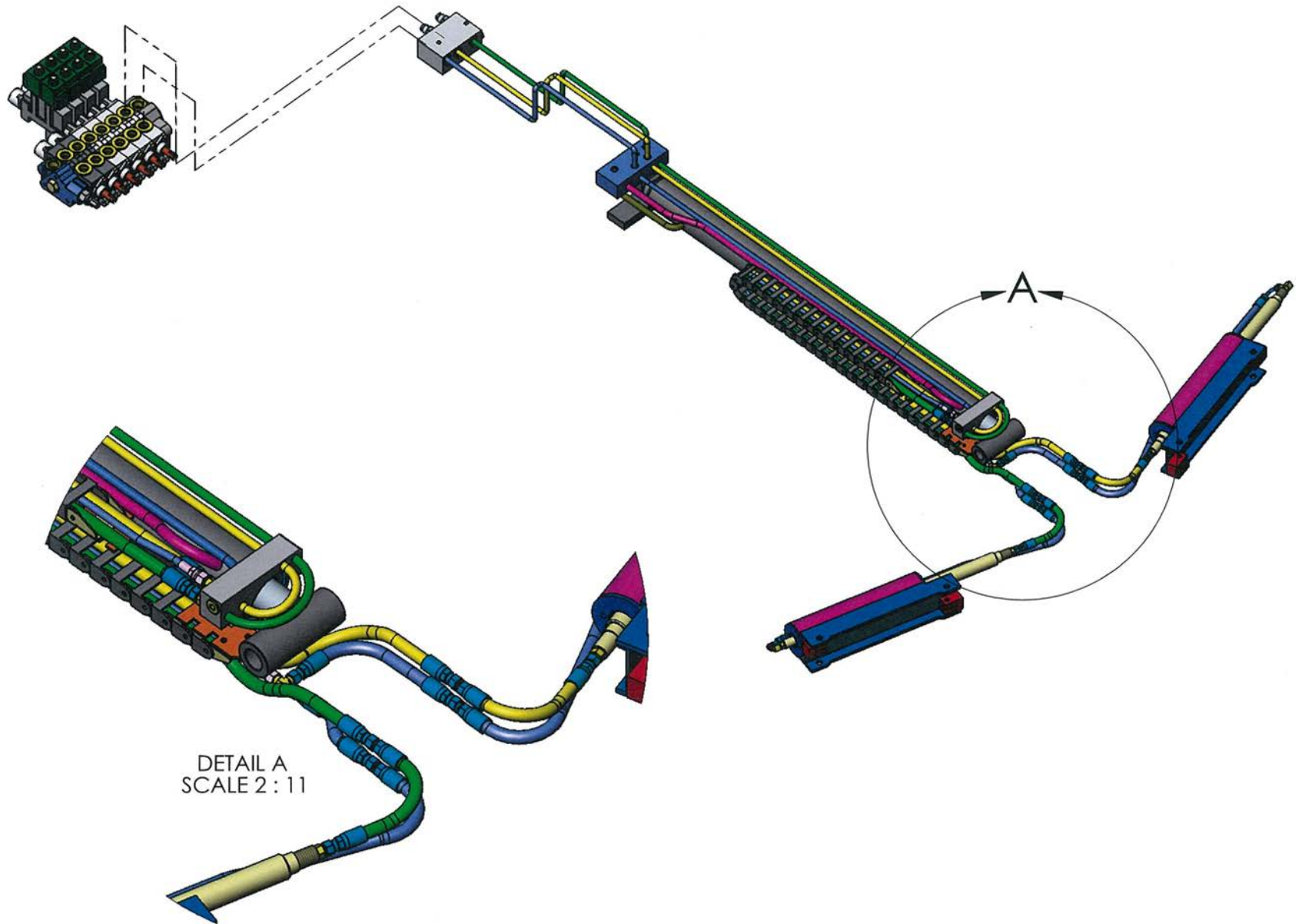
WRECKER L-ARM CYLINDER HOSE ROUTING AUTOGRIP II

YELLOW IS DIVIDED FLOW FOR RIGHT ARM CLOSE
GREEN IS DIVIDED FLOW FOR LEFT ARM CLOSE
PURPLE IS RETURN COMBINED FLOW



SCHEMATICS

**WRECKER
L-ARM CYLINDER HOSE ROUTING AUTOGRIP II**



DETAIL A
SCALE 2 : 11