

# **CHEVRON**



## **OWNER'S MANUAL**

512T

INTEGRATED WRECKER

**INSTALLATION, OPERATION, MAINTENANCE & PARTS**

**NOTE: MANUAL including SPECIFICATIONS, subject to change without notice.  
All ratings specified are based on structural factors only,  
not vehicle capacities or capabilities.**

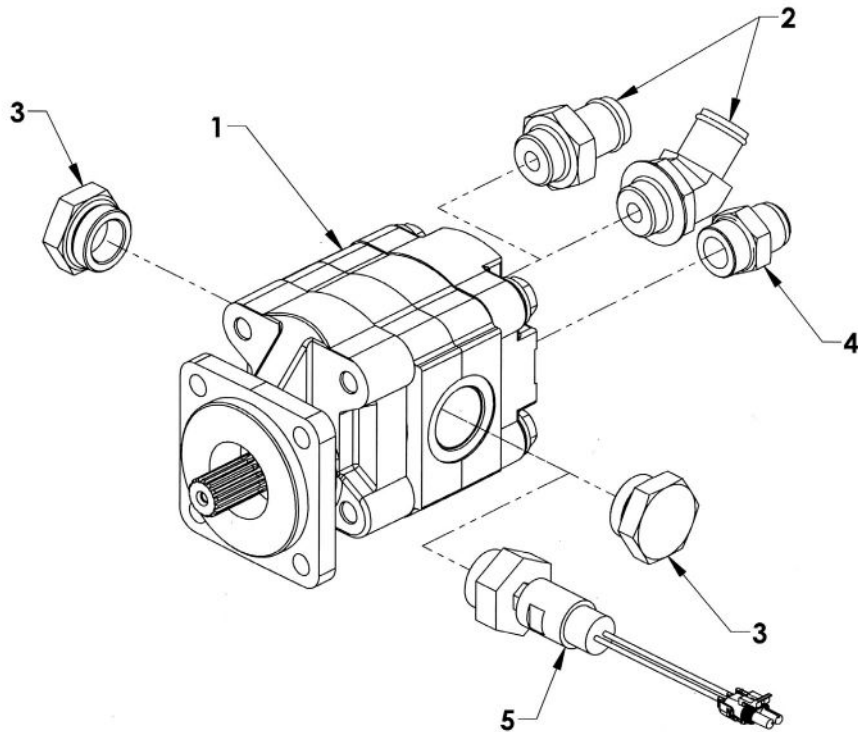
## **CHEVRON**

Carriers & Wreckers  
7320 W. Market Street  
Mercer, PA 16137

Phone (724) 981-7500 • FAX (724) 981-4425  
Toll Free (800) 886-6400  
<http://www.chevroninc.com>

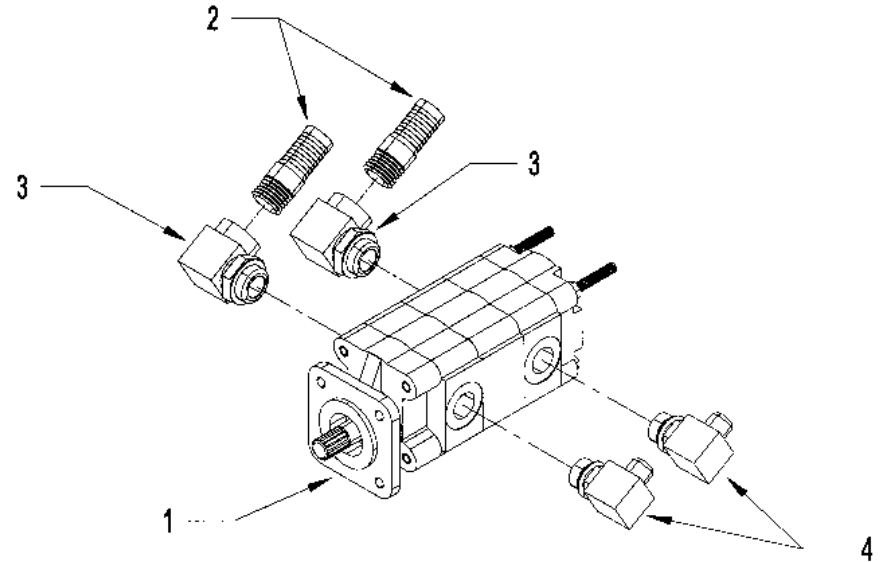


**Section V - PARTS**  
**DIRECT MOUNT PUMP - 18 GPM**



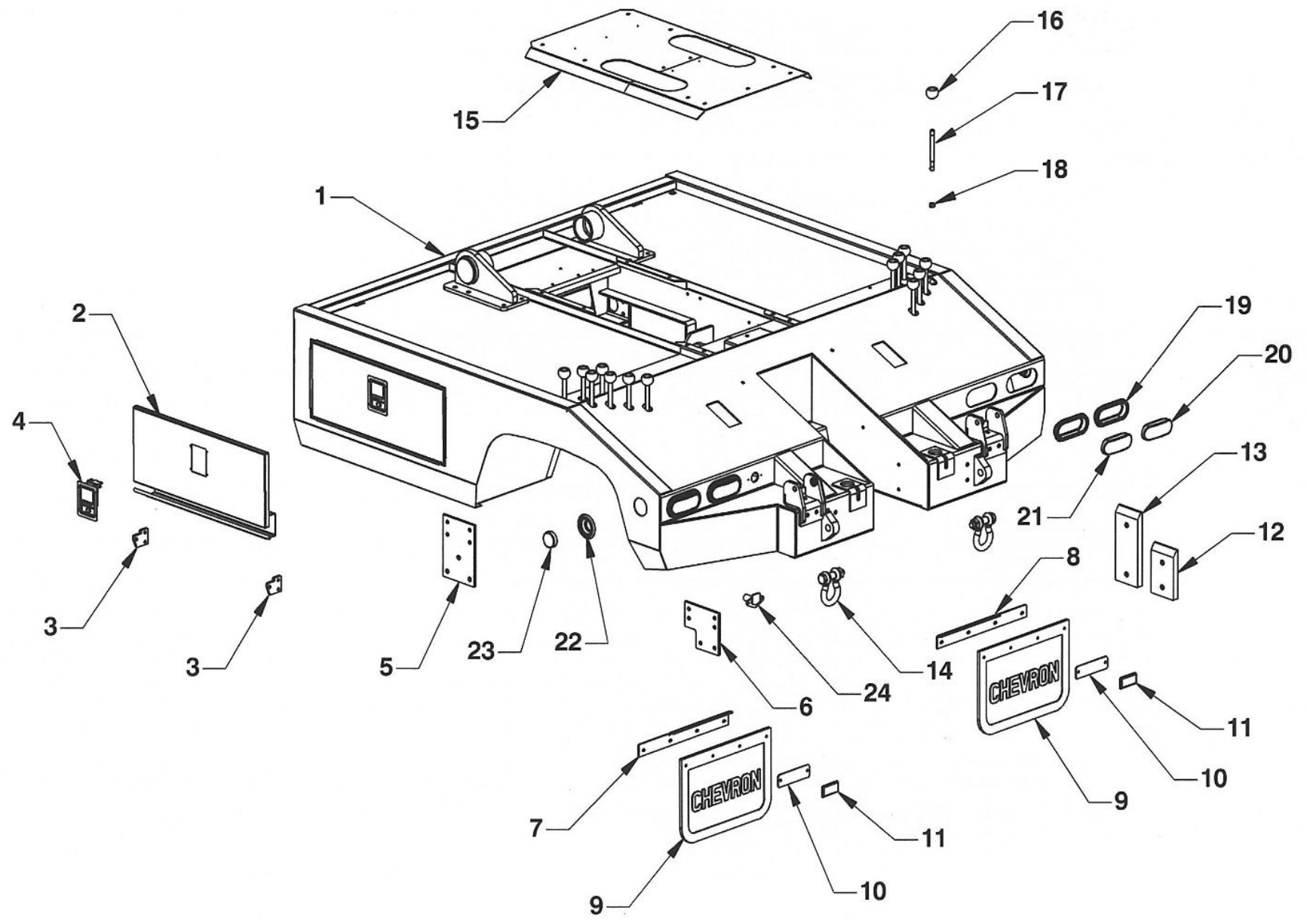
REF	PART #	DESCRIPTION	QPU
1	0320144	18 GPM , 1 IN.15 SPLINE SHAFT, SAE 4-BOLT FLANGE	1
2	S14604-20 x 16	#16-45 M O-RING x 1-1/4 M NIPPLE	1
	S14603- 20 x 26F	#16 M O-RING x 1-1/4 NIPPLE	1
3	77620	1-1/4 O-RING PLUG 900598-20	2
4	779A7	#16 M O-RING X 3/4 MJIC	1
5	0909434	PRESSURE TRANSDUCER (OPTIONAL)	1

**Section V - PARTS**  
**DIRECT MOUNT TANDEM PUMP**



REF	PART #	DESCRIPTION	QPU
1	78014	TANDEM PUMP 15 GPM x 15 GPM	1
2	77CH0	1-1/4 x 3 NPT NIPPLE	2
3	77C90	1-1/4 x 90 M-F O-RING ADAPTER 887-554-20	2
4	77C91	1 M O-RING x 3/4 MJIC x 90	2

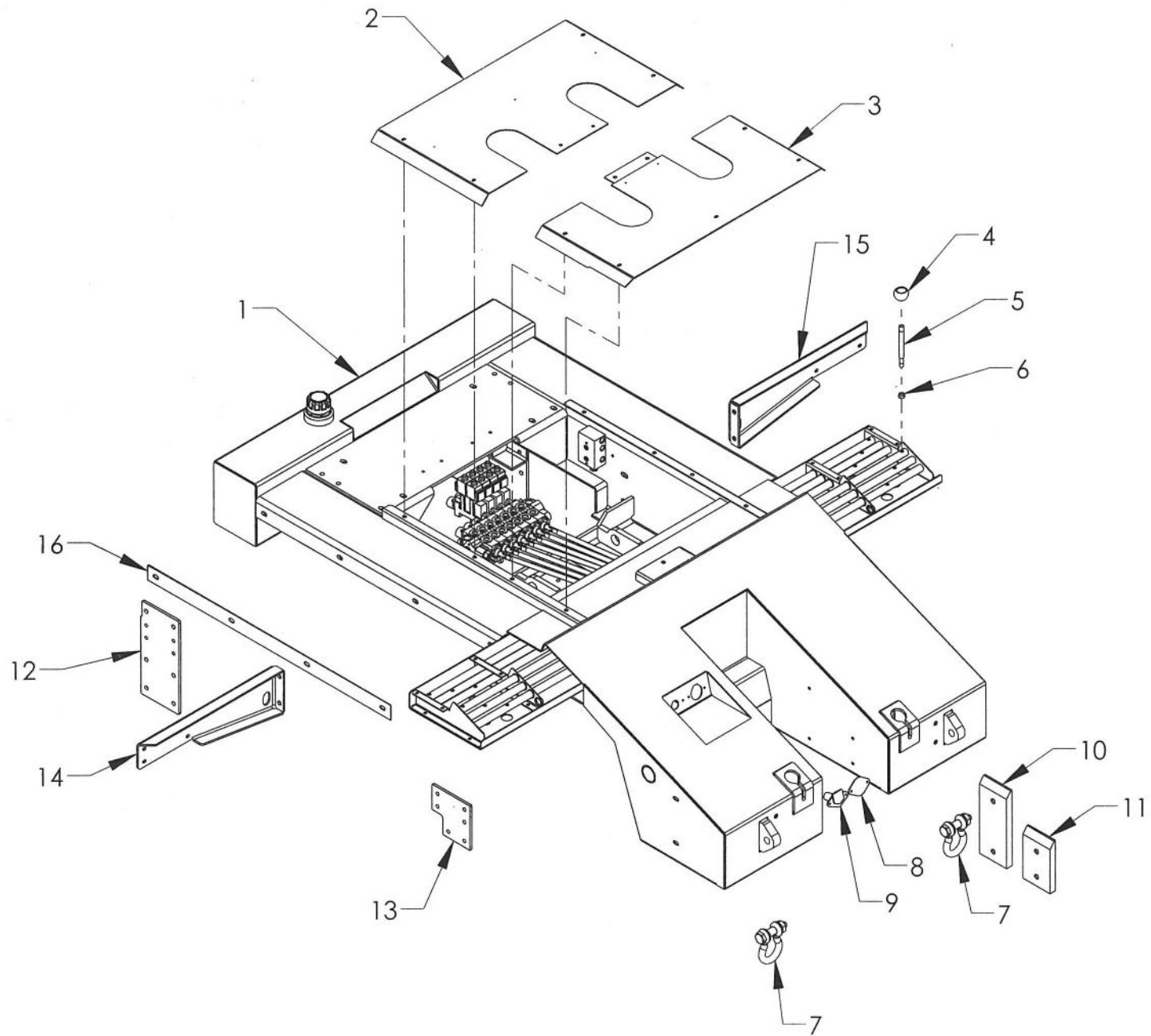
**Section V - PARTS**  
**5 SERIES STEEL INTEGRATED BODY COMPONENTS**



**Section V - PARTS****5 SERIES STEEL INTEGRATED BODY  
COMPONENTS**

REF	PART #	DESCRIPTION	QPU
1	5033V	INTEGRATED WRECKER BODY	1
2	5A300	TOOL BOX DOOR	2
3	5A316	TOOL BOX DOOR MOUNTING BLOCK	4
4	54658	ROTARY PADDLE LATCH #3	2
5	53263	FRONT MOUNTING BRACKET	2
6	532501	MIDDLE BODY MOUNTING BRACKET	2
7	53182L	MUDFLAP MOUNTING BRACKET - LEFT	1
8	53182R	MUDFLAP MOUNTING BRACKET - RIGHT	1
9	A1040	MUDFLAP	2
10	59115	REAR REFLECTOR MOUNTING PLATE	2
11	93300R	REFLECTOR - RED	2
12	59320	UHHW WEAR PAD	2
13	59319	UHHW WEAR PAD	2
14	84716	6-1/2 TON SHACKLE W/NUT & BOLT	2
15	5431250	ACCESS COVER	1
16	7A211	CONTROL KNOB	14
17	7A168	CONTROL HANDLE	14
18	83320	NUT 1/2-20 UNF	14
19	92650	TAILLIGHT GROMMET	4
20	92600R	TAILLIGHT	2
21	96600	BACKUP LIGHT-LED	2
22	93150	MARKER LIGHT GROMMET	2
23	93200R	RED MARKER LIGHT -LED	2
24	98400	TOW LIGHT PLUG	1

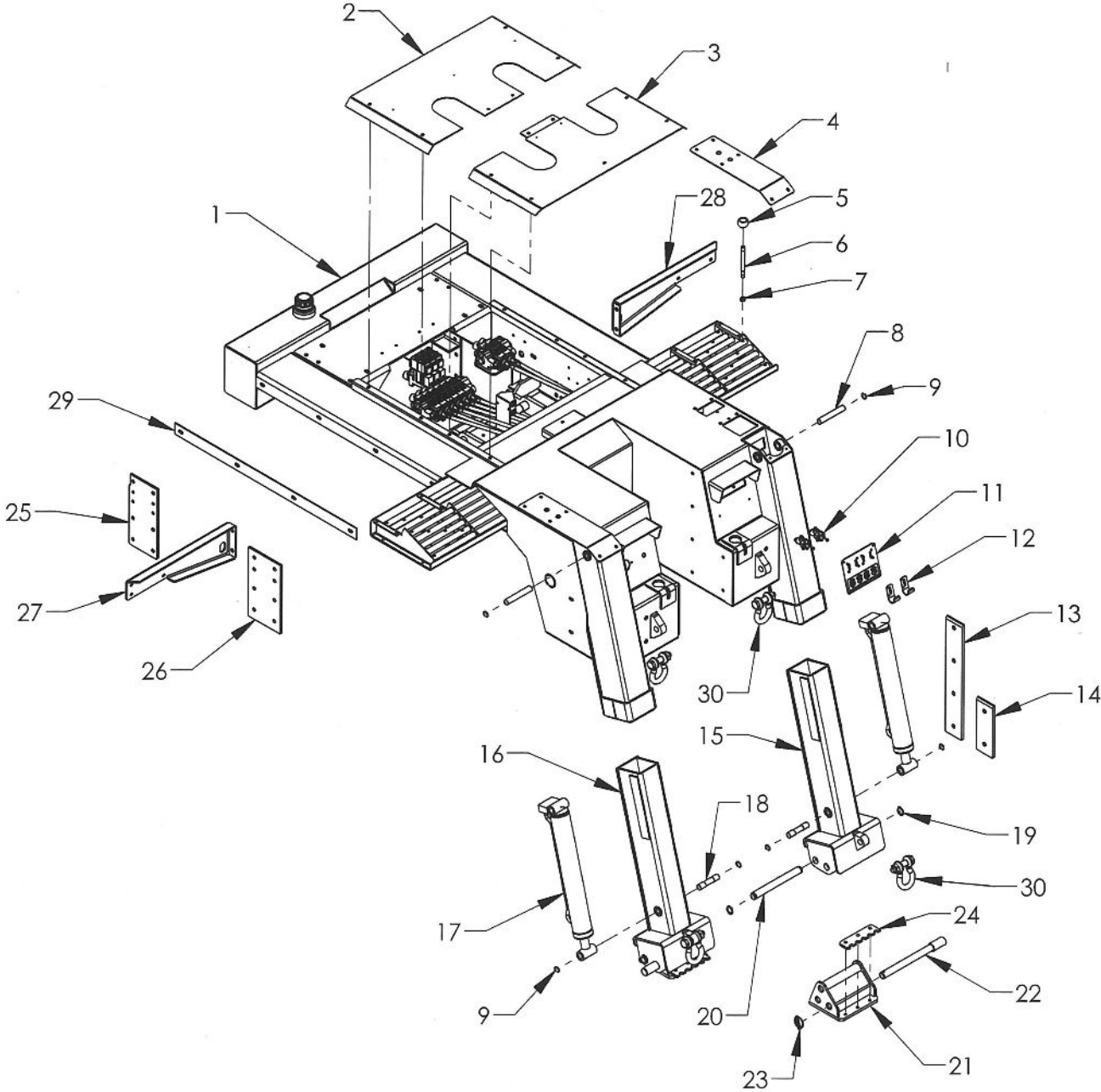
**Section V - PARTS**  
**5 SERIES MODULAR SUBFRAME**



**Section V - PARTS**  
**5 SERIES MODULAR SUBFRAME GROUP**

REF	PART #	DESCRIPTION	QPU
1	265010	SUBFRAME	1
2	2640751	MODULAR 4 SERIES SERVICE COVER PANEL-FRONT	1
3	2640752	MODULAR 4 SERIES SERVICE COVER PANEL-REAR	1
4	7A211	CONTROL KNOB	12
5	7A168	CONTROL HANDLE	12
6	83321	1/2-20 JAM NUT	12
7	84716	6-1/2 TON SHACKLE AND SCREW PIN	2
8	26403A	TRAILER PLUG HOLE COVER	1
9	98400	4 PRONG TRAILER PLUG SOCKET	1
10	59319	UHMW WEAR PAD	2
11	59320	UHMW WEAR PAD	2
12	265091	FRONT BODY MOUNTING BRACKET	2
13	532501	408/512 MIDDLE BODY MOUNTING BRACKET	2
14	37851R	TOOLBOX MOUNTING BRACKET - RIGHT	1
15	37851L	TOOLBOX MOUNTING BRACKET - LEFT	1
16	54M4190	SIDE BODY MOUNTING GASKET	2

**Section V - PARTS**  
**5 SERIES HYDRAULIC STABILIZER SUBFRAME**



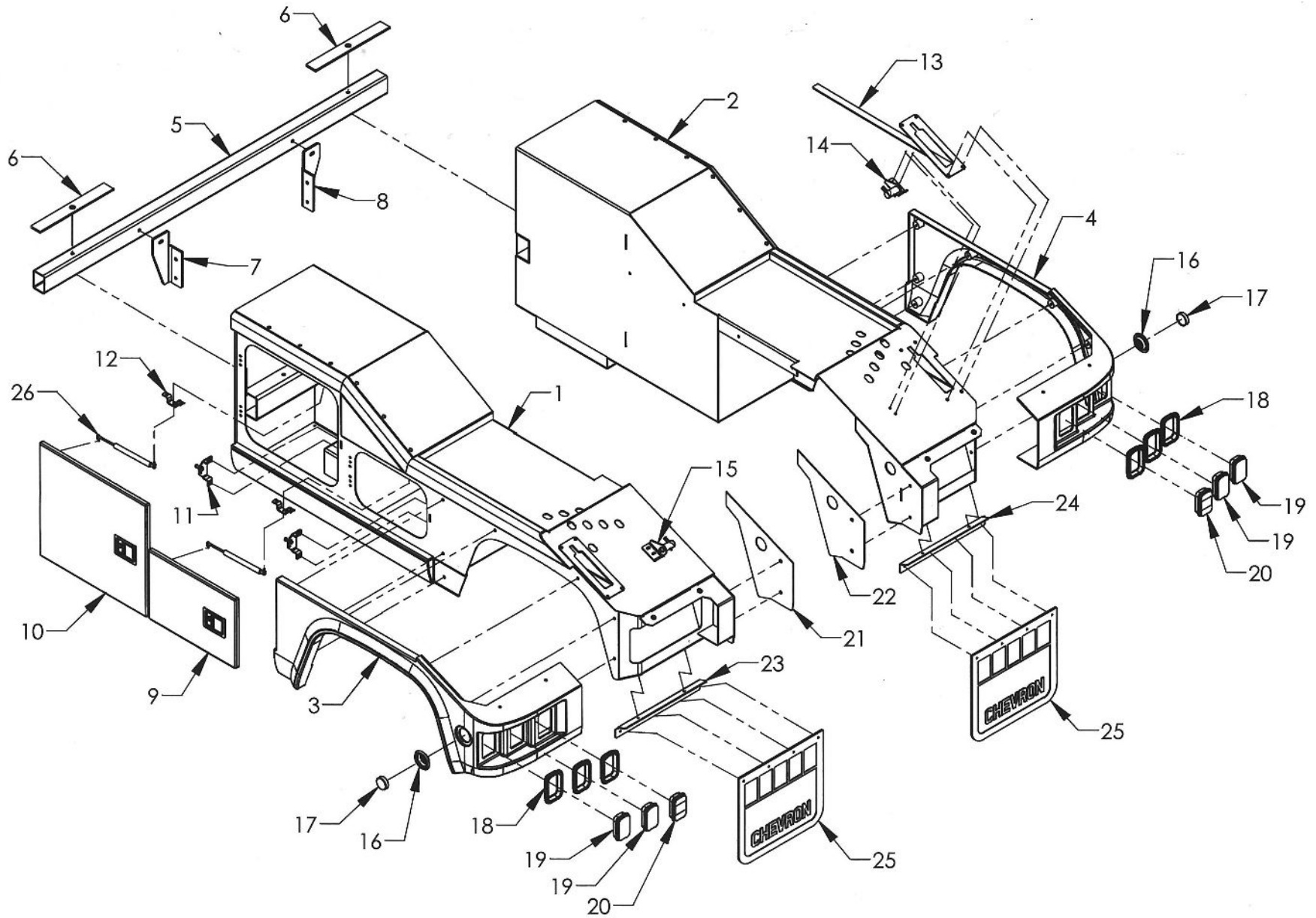


## Section V - PARTS

### 5 SERIES HYDRAULIC STABILIZER SUBFRAME

REF	PART #	DESCRIPTION	QPU
1	265010H	5 SERIES HYDRAULIC STABILIZER SUBFRAME	1
2	2640751	MODULAR 4/5 SERIES SERVICE COVER PANEL-FRNT	1
3	2640752	MODULAR 4/5 SERIES SERVICE COVER PANEL-REAR	1
4	266058	STABILIZER ACCESS COVER	2
5	7A211	CONTROL KNOB	16
6	7A168	CONTROL HANDLE	16
7	83321	1/2 - 20 JAM NUT	16
8	262617	PIN .980 x 6.00	2
9	86100I	RETAINING RING 1.00 INTERNAL	8
10	71716G	AIR VALVE	2
11	26605A	AIR VALVE MOUNTING PLATE	1
12	18145	AIR SWITCH GUARD	2
13	266062	UHMW WEAR PAD	2
14	266061	UHMW WEAR PAD	2
15	262620R	INNER STABILIZER TUBE-RIGHT	1
16	262620L	INNER STABILIZER TUBE-LEFT	1
17	72190	STABILIZER CYLINDER	2
18	65714	PIN .980 x 4.625	2
19	86125E	RETAINING RING 1.25 EXTERNAL	4
20	262637	STABILIZER PAD PIVOT PIN	2
21	262630	STABILIZER PAD	2
22	262638	STABILIZER PAD POSITION PIN	2
23	84712	LYNCH PIN	2
24	6961413	CLEAT	2
25	265091	FRONT BODY MOUNTING BRACKET	2
26	265096	MIDDLE BODY MOUNTING BRACKET	2
27	37851R	TOOL BOX MOUNTING BRACKET-RIGHT	1
28	37851L	TOOL BOX MOUNTING BRACKET-LEFTY	1
29	54M4190	SIDE BODY MOUNTING GASKET	2
30	84716	6-1/2 TON SHACKLE AND SCREW PIN	4

**Section V - PARTS**  
**5 SERIES INTEGRATED MODULAR BOXES**



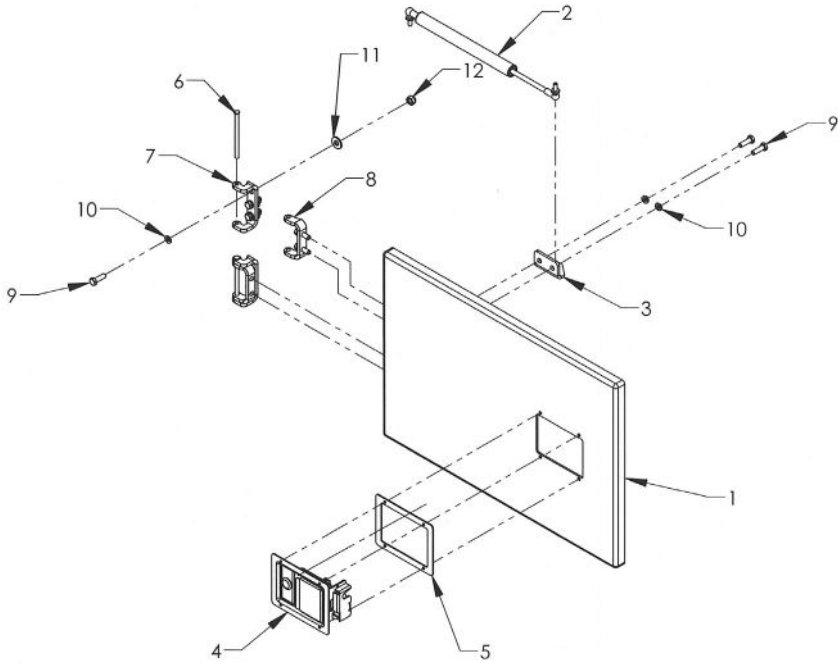
## Section V - PARTS

### 5 SERIES MODULAR BOXES

REF	PART #	DESCRIPTION	QPU
1	54M50108L	MODULAR BOX DRIVER SIDE	1
2	54M50108R	MODULAR BOX PASSENGER SIDE	1
3	54M5150L	FIBERGLASS REAR CORNER PANEL - LEFT	1
4	54M5150R	FIBERGLASS REAR CORNER PANEL - RIGHT	1
5	54650	MODULAR BOX MOUNTING TUBE	1
6	54601	MOUNTING TUBE RUBBER GASKET	2
7	54655L	MODULAR BOX MOUNTING BRACKET-LEFT	1
8	54655R	MODULAR BOX MOUNTING BRACKET-RIGHT	1
9	54M5160G	5 SERIES MODULAR BOX REAR DOOR GROUP	2
10	54M5170G	5 SERIES MOD. BOX FRNT & TUNL BOX DOOR	2
11	54M4145G	DOOR LATCH BRACKET	4
12	54M4166	DOOR CYLINDER MOUNTING BRACKET	4
13	5462A0	WHEEL RETAINER STORAGE GUARD, CONVNT'L	2
14	59540R	WHEEL RETAINER LOCK PIN - RIGHT	1
15	59240L	WHEEL RETAINER LOCK PIN - LEFT	1
16	93150	MARKER LIGHT GROMMET	2
17	93100R	RED REFLECTIVE MARKER LIGHT	2
18	96600	TAIL LIGHT GROMMET	6
19	96500	TAIL LIGHT	4
20	95600	BACK UP LIGHT	2
21	54M4191L	MODULAR BOX SIDE RUBBER GASKET-LEFT	1
22	54M4191R	MODULAR BOX SIDE RUBBER GASKET-RIGHT	1
23	54M513AL	MUDFLAP MOUNTING BRACKET - LEFT	1
24	54M513AR	MUDFLAP MOUNTING BRACKET - RIGHT	1
24	A1050	CHEVRON MUDFLAP 22 x 20	2
26	5AGS08-0675MD10-020	GAS CYLINDER	4

## Section V - PARTS

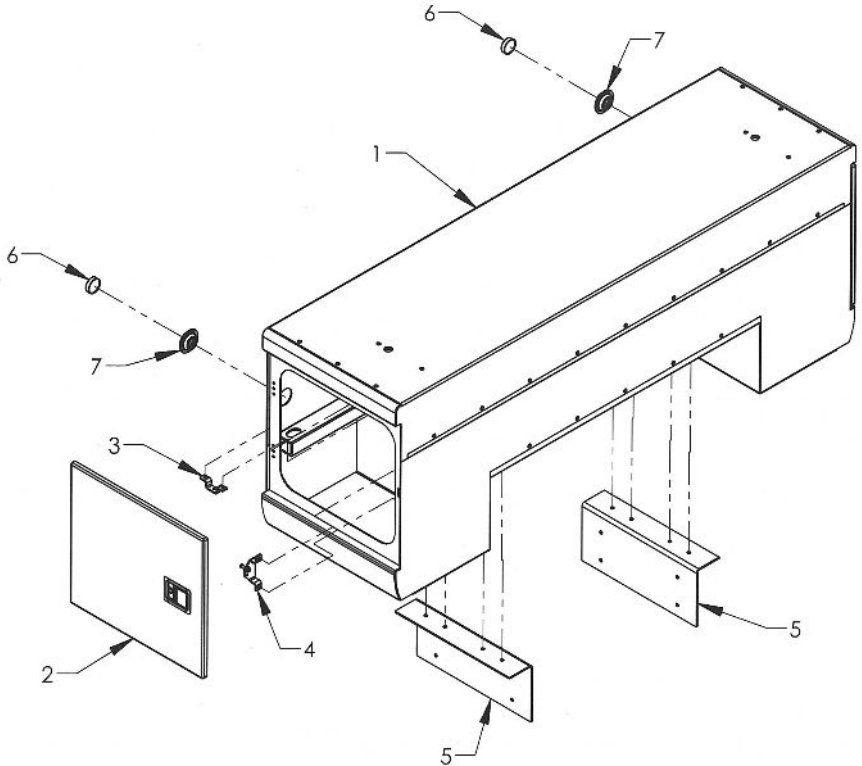
### 5 SERIES MODULAR BOX REAR DOOR GROUP



REF	PART #	DESCRIPTION	QPU
1	54M5160	AL. WRECKER REAR DOOR WELDMENT	1
2	5AGS08-0675MD10-020	GAS SPRING CYLINDER	1
3	54M4165	DOOR CYLINDER MOUNTING BRACKET	1
4	54658	ROTARY PADDLE LATCH	1
5	54657	GASKET - PADDLE LATCH	1
6	54M4183	DOOR HINGE PIN	2
7	54M4181	DOOR HINGE OUTER	2
8	54M4182	DOOR HINGE INNER	2
9	81110	BOLT, 5/16-18 UNC x 1	2
10	82130	LOCK WASHER 5/16	2
11	82110	FLAT WASHER 5/16	2
12	83125	NYLON LOCK NUT 5/16-18 UNC	1

## Section V - PARTS

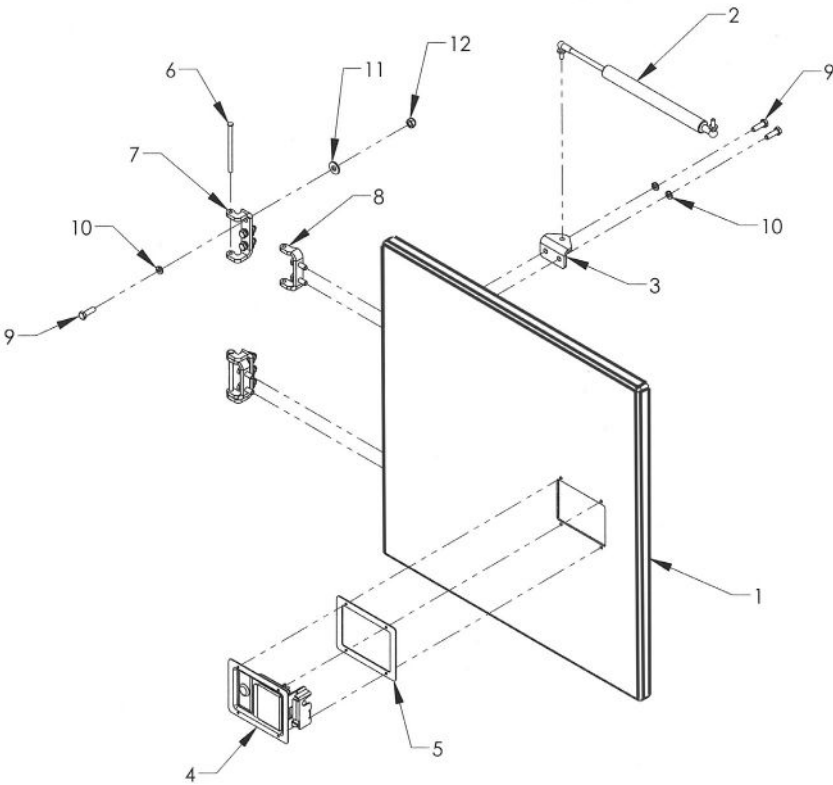
### 5 SERIES ALUMINUM TUNNEL BOX GROUP (28 x 96)



REF	PART #	DESCRIPTION	QPU
1	54M50028	ALUMINUM WRECKER TUNNEL BOX	1
2	54M5170G	MODULAR BOX FRONT & TUNNEL BOX DOOR	2
3	54M4166	DOOR CYLINDER MOUNTING BRACKET	2
4	54M4145	DOOR LATCH BRACKET	2
5	54598	TUNNEL BOX MOUNTING BRACKET	2
6	93100A	AMBER REFLECTIVE MARKER LIGHT	2
7	93150	MARKER LIGHT GROMMET	2

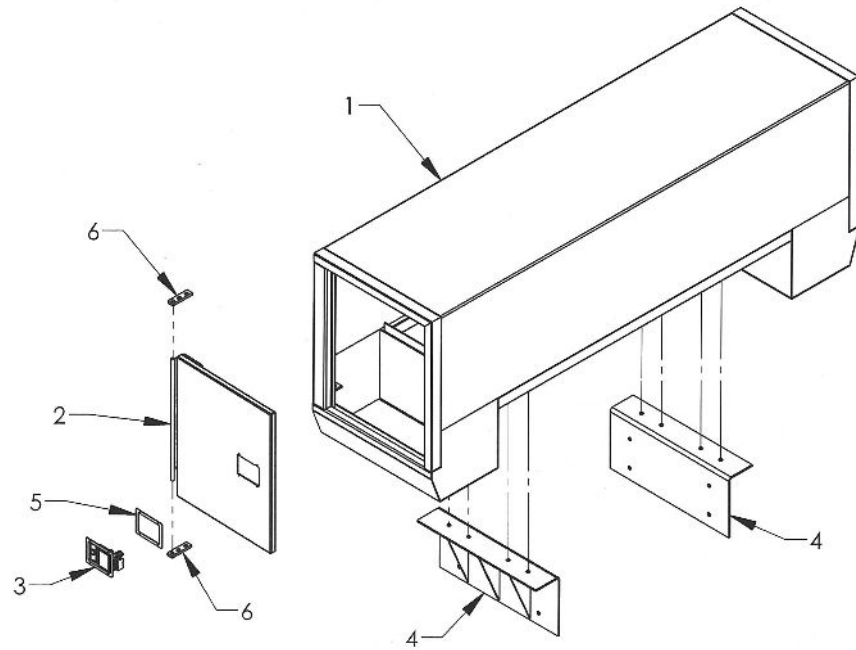
## Section V - PARTS

### 5 SERIES ALUMINUM TUNNEL BOX DOOR



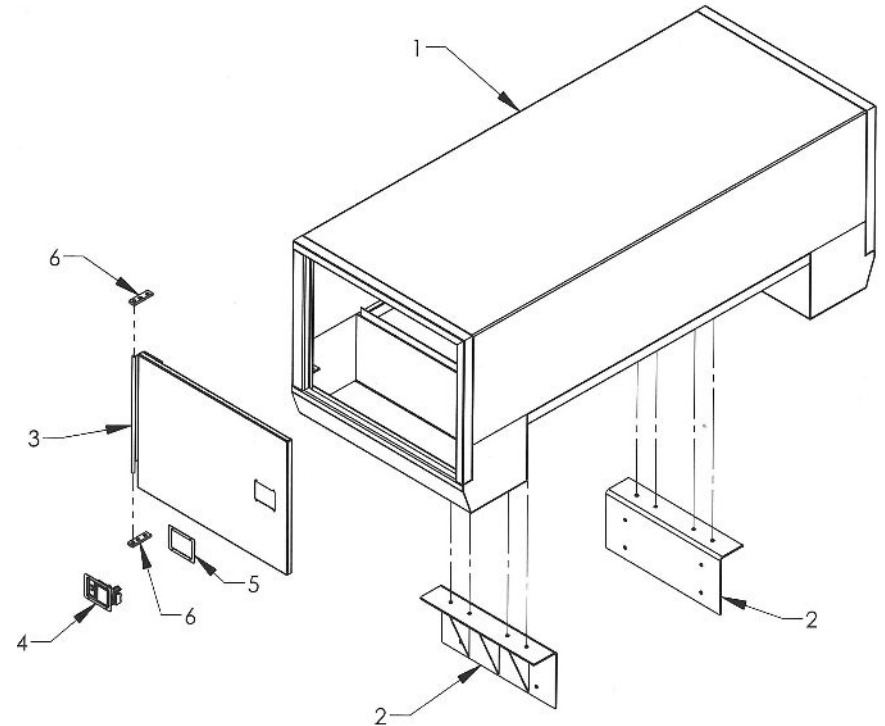
REF	PART #	DESCRIPTION	QPU
1	54M5170	ALUMINUM WRECKER DOOR WELDMENT	1
2	5AGS08-0675MD10-020	GAS SPRING CYLINDER	1
3	54M4165	DOOR CYLINDER MOUNTING BRACKET	1
4	54658	ROTARY PADDLE LATCH	1
5	54657	GASKET - PADDLE LATCH	1
6	54M4183	DOOR HINGE PIN	2
7	54M4181	DOOR HINGE OUTER	2
8	54M4182	DOOR HINGE INNER	2
9	81110	BOLT, 5/16-18 UNC x 1	12
10	82130	LOCK WASHER 5/16	12
11	82110	FLAT WASHER 5/16	6
12	83125	NYLON LOCK NUT 5/16-18 UNC	6

**Section V - PARTS**  
**24 IN. STEEL TUNNEL BOX GROUP**



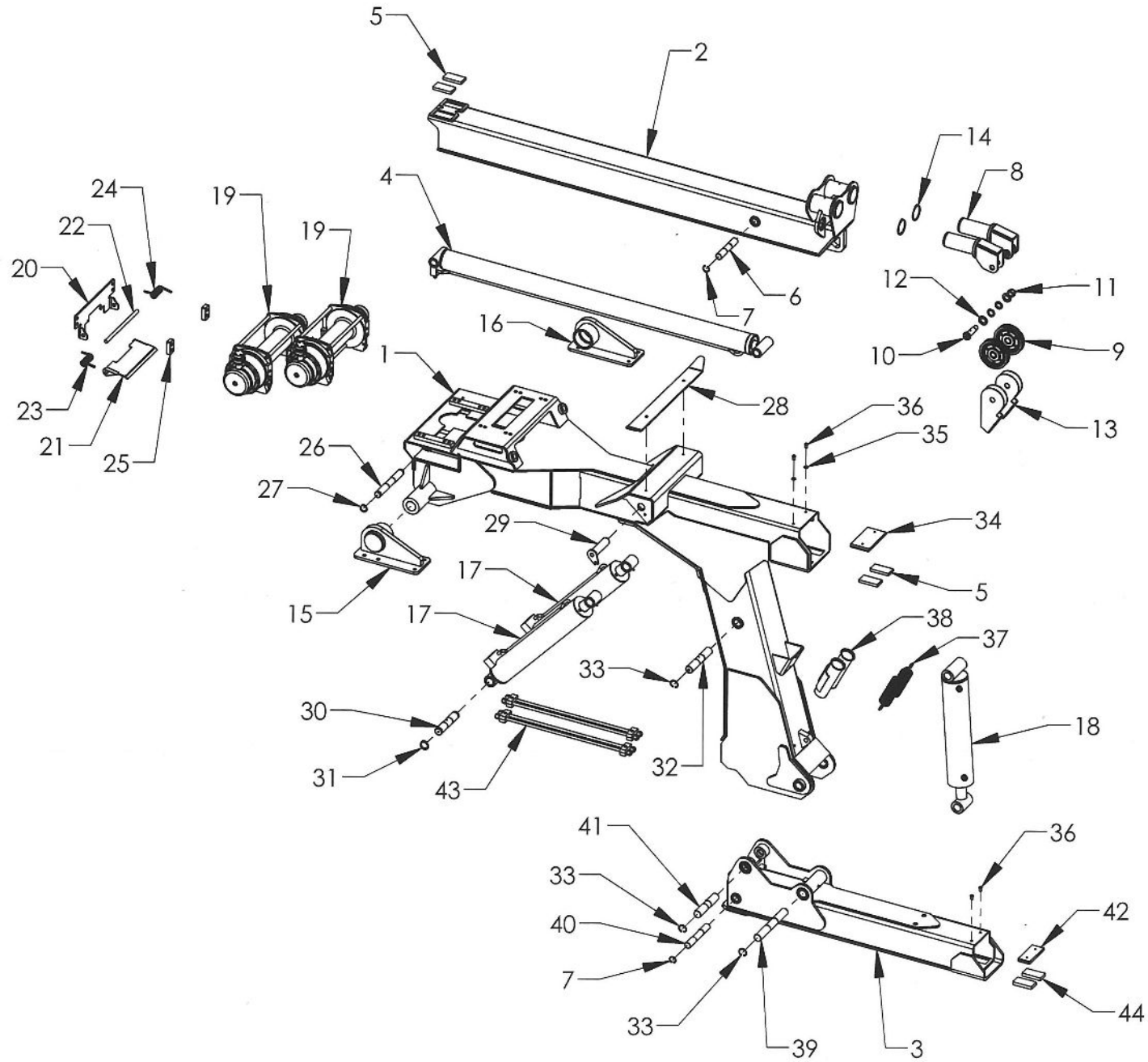
REF	PART #	DESCRIPTION	QPU
1	5484524	24 INCH STEEL TUNNEL BOX WELDMENT	1
2	5484024	24 INCH TUNNEL BOX DOOR	2
3	54658	ROTARY PADDLE LATCH	2
4	548515	TUNNEL BOX MOUNTING BRACKE	2
5	54657	GASKET - PADDLE LATCH	2
6	54863	TUNNEL BOX DOOR HINGE MOUNT	4

**Section V - PARTS**  
**36 IN. STEEL TUNNEL BOX GROUP**



REF	PART #	DESCRIPTION	QPU
1	548236	36 INCH STEEL TUNNEL BOX WELDMENT	1
2	548515	TUNNEL BOX MOUNTING BRACKET	2
3	5484036	36 INCH TUNNEL BOX DOOR	2
4	54658	ROTARY PADDLE LATCH	2
5	54657	GASKET - PADDLE LATCH	2
6	54863	TUNNEL BOX DOOR HINGE MOUNT	4

**Section V - PARTS**  
**5 SERIES INTEGRATED BOOM ASSEMBLY**





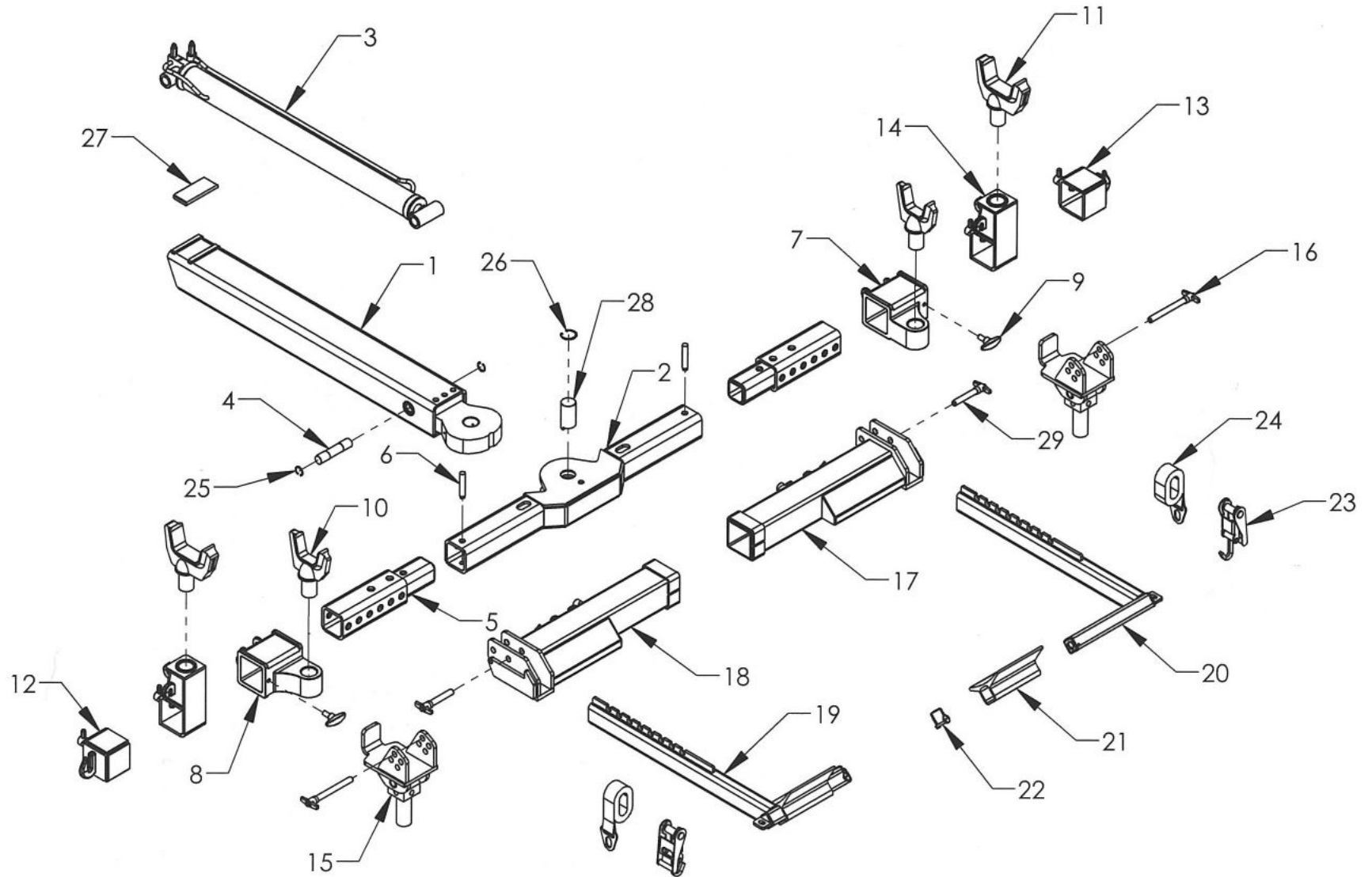
## Section V - PARTS

### 5 SERIES INTEGRATED BOOM ASSEMBLY

REF	PART #	DESCRIPTION	QPU
1	6I5020	INTEGRATED BOOM	1
2	6I050	INNER BOOM TUBE	1
3	6I5070	OUTER UNDERLIFT BOOM - 512T WRECKER	1
4	72A35057	CYLINDER - BOOM EXTENSION 512T	1
5	63595	WEAR PAD NYLATRON 1/2 x 2 x 4	4
6	6I1339	BOOM EXTENSION CYLINDER ROD PIN	1
7	86125I	SNAP RING 1-1/4 INTERNAL	4
8	61369	BOOM END SWIVEL - 408/512	2
9	69125	PULLEY 6 INCH	2
10	61368	PULLEY BOLT	2
11	83610	HEX NUT 7/8 x 14 UNF	2
12	82710	FLAT WASHER 1 INCH	8
13	61379	CABLE FOLLOWER	2
14	86287E	SNAP RING 2-7/8 EXTERNAL	2
15	6I1330L	TRUNNION BRACKET - LEFT	1
16	6I1330R	TRUNNION BRACKET - RIGHT	1
17	72A40021	512T BOOM LIFT CYLINDER	2
18	72A45016	512 TILT/FOLD CYLINDER	1
19	71106	WINCH - 12000 POUND PLANETARY	2
20	A9005003	WARN TENSIONER MOUNTING PLATE - 12.5 DRUM	2
21	A9005002	WARN TENSIONER PLATE - 12.5 UNDERWIND	2
22	A9005001	WINCH TENSIONER PIN 5/8 x 13 STAINLESS STEEL	2
23	71W73827	TENSIONER TORSION SPRING LH	2
24	71W73826	TENSIONER TORSION SPRING RH	2
25	A9005004	TENSION PLATE SPACER BAR	4
26	6I5035	BOOM EXTENSION CYLINDER BASE PIN	1
27	86125E	SNAP RING 1-1/8 EXTERNAL	2
28	63450	BOOM ANTLER	1
29	61I240	LIFT CYLINDER PIN - ROD END	2
30	6I4245	BOOM LIFT CYLINDER BASE PIN	2
31	86150E	SNAP RING 1-1/2 EXTERNAL	2
32	6I1545	POWER TILT BASE PIN	1
33	86150I	SNAP RING 1-1/2 INTERNAL	6
34	63431	BOOM SHIM PAD	1
35	82210	FLAT WASHER 3/8	2
36	812A8	BOLT 3/8-16 UNC x 3/4 BUTTON HEAD	4
37	86910	CABLE TENSION SPRING	2
38	6I60280	TWIN LINE CABLE TENSION SPRING BRACKET	1
39	6I5741	INTEGRATED UNDERLIFT PIVOT PIN	1
40	6I5742	INTEGRATED UNDERLIFT EXTENSION CYLINDER PIN	1
41	6I5740	BOOM TILT CYLINDER ROD PIN	1
42	65621	BEARING PAD - STINGER	1
43	6I50110G	408-512 BOOM PIPE ASSEMBLY GROUP	2
44	0750505	NYLATRON WEAR PAD 5/8 x 2 x 4	2

# Section V - PARTS

## 5 SERIES UNDERLIFT COMPONENTS & HOOK-UP ATTACHMENTS



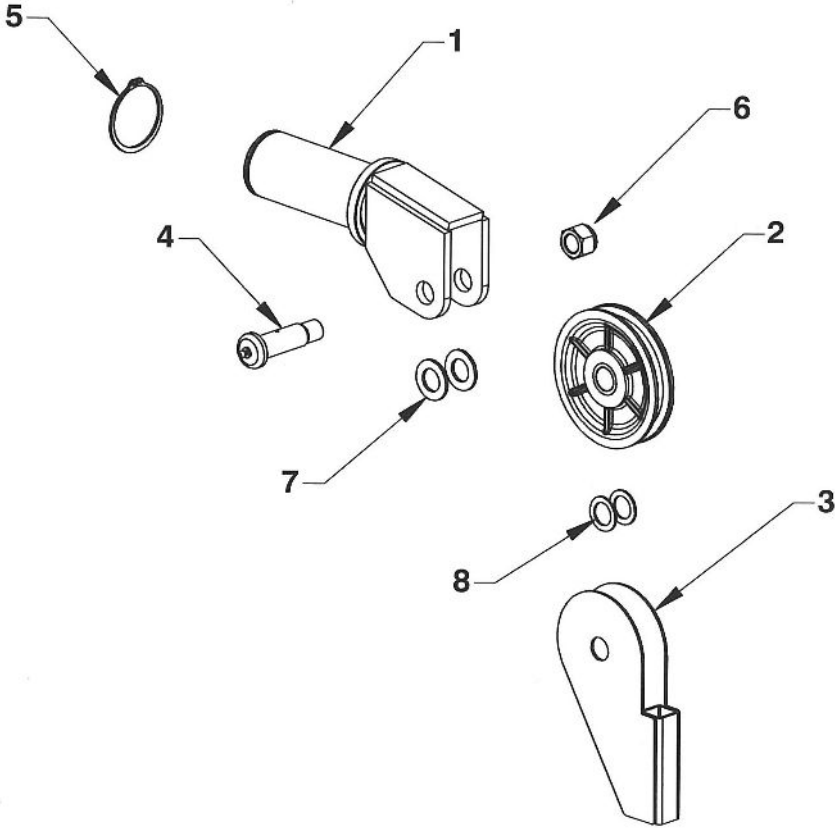
## Section V - PARTS

### 5 SERIES UNDERLIFT COMPONENTS & HOOK-UP ATTACHMENTS

REF	PART #	DESCRIPTION	QPU
1	6I5080	INNER UNDERLIFT TUBE	1
2	6I6090	CROSSBAR	1
3	72B30033	CYLINDER - UNDERLIFT EXTENSION 512T	1
4	6I5743	PIN - 512T UNDERLIFT EXTEND - ROD	1
5	6I60950	CROSSBAR EXTENSION	2
6	68545	CROSSBAR EXTENSION PIN	2
7	0803580	OFFSET FORK HOLDER - RIGHT	1
8	0803581	OFFSET FORK HOLDER - LEFT	1
9	66285P	T-HANDLE	2
10	663530	FRAME FORK - 3 INCH CAST	2
11	663545	FRAME FORK SHORT - 4-1/2 INCH CAST	2
12	66A210L	CROSSBAR END HOOK - LEFT	1
13	66A210R	CROSSBAR END HOOK - RIGHT	1
14	66330	ELEVATED FORK HOLDER - 4 INCH CROSSBAR	2
15	66320G	SPRING SHACKLE ADAPTOR	2
16	84923	T-PIN 3/4 x 6-1/2	2
17	68260R	WHEEL GRID - RIGHT	1
18	68260L	WHEEL GRID - LEFT	1
19	66250L	WHEEL RETAINER - 6000 LB. - LEFT	1
20	66250R	WHEEL RETAINER - 6000 LB. - RIGHT	1
21	65245	REMOVABLE PAN	2
22	84911	5/16 SAFETY SNAP PIN	2
23	65280A	RATCHET	2
24	65285	WHEEL STRAP	2
25	86125I	INTERNAL SNAP RING 1-1/4	2
26	86200I	INTERNAL SNAP RING - 2.00	1
27	65621	BEARING PAD - STINGER	1
28	66430	CROSSBAR PIVOT PIN	1
29	84922	T-PIN WITH LANYARD 3/4 x 3-1/2	2

# Section V - PARTS

## 5 SERIES BOOM END SWIVEL



REF	PART #	DESCRIPTION	QPU
1	61369	BOOM END SWIVEL	1
2	69125	PULLEY - 6 INCH	1
3	61379	CABLE FOLLOWER	1
4	61368	PIN .980 x 3-5/8	1
5	86287E	RETAINING RING 2-7/8 EXTERNAL	1
6	83610	NYLON LOCK NUT 7/8-14	1
7	82710	FLAT WASHER 1 x 1-1/2 x .120	2
8	82718	FLAT WASHER 1 x 1-1/2 x .060	2