

# **CHEVRON**

---



## **OWNER'S MANUAL**

# **INDUSTRIAL SERIES 30 LCG SUPER SINGLE**

## **INSTALLATION, OPERATION, MAINTENANCE & PARTS**

**NOTE: MANUAL including SPECIFICATIONS, subject to change without notice.  
All ratings specified are based on structural factors only,  
not vehicle capacities or capabilities.**

## **CHEVRON**

Carriers & Wreckers  
7320 W. Market Street  
Mercer, PA 16137  
Phone (724) 981-7500 • FAX (724) 981-4425  
Toll Free (800) 886-6400  
<http://www.chevroninc.com>



## Section V - PARTS

This Section is provided by the manufacturer for the purpose of ordering any component part of the **Industrial LCG Series Car Carrier** that may be required when part replacement is necessary. Be certain to use only original equipment replacement parts for warranty purposes as well as for keeping your **Industrial LCG Series Car Carrier** in its original state and optimum operating capacities.

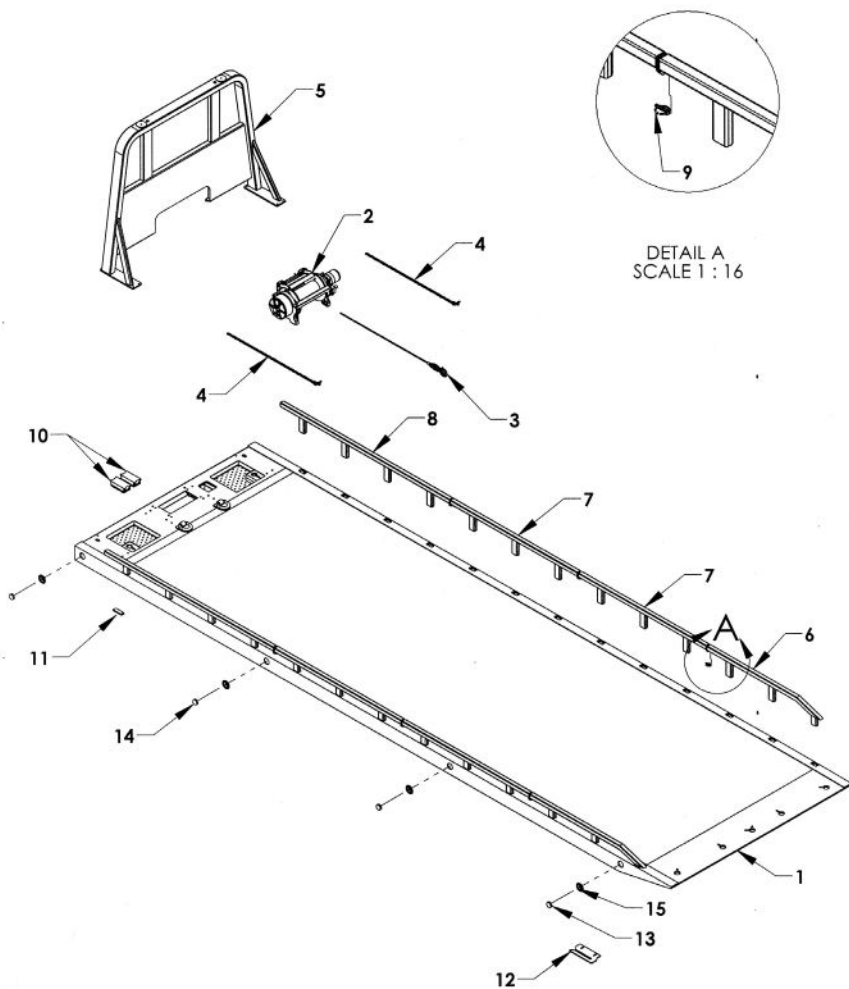
When ordering replacement or spare parts be sure to provide the following information to your carrier manufacturer authorized representative.

1. **Manual Number & Date of Publication**
2. **Manual Page Number**
3. **Page Title**
4. **Reference Number of Part Desired**
5. **Part Number**
6. **Part Description**
7. **Quantity of Part Desired**

Providing this information will help ensure that the correct parts will be delivered to you in an expedient manner without delay. Should additional information be required for repair or replacement of certain components, contact **Chevron Inc. Mercer, PA, Phone: 724-981-7500, FAX 724-981-4425.**

The Manufacturer reserves the right, without notice or obligation, to improve or modify their products, which may change the specifications, models and feature availability.

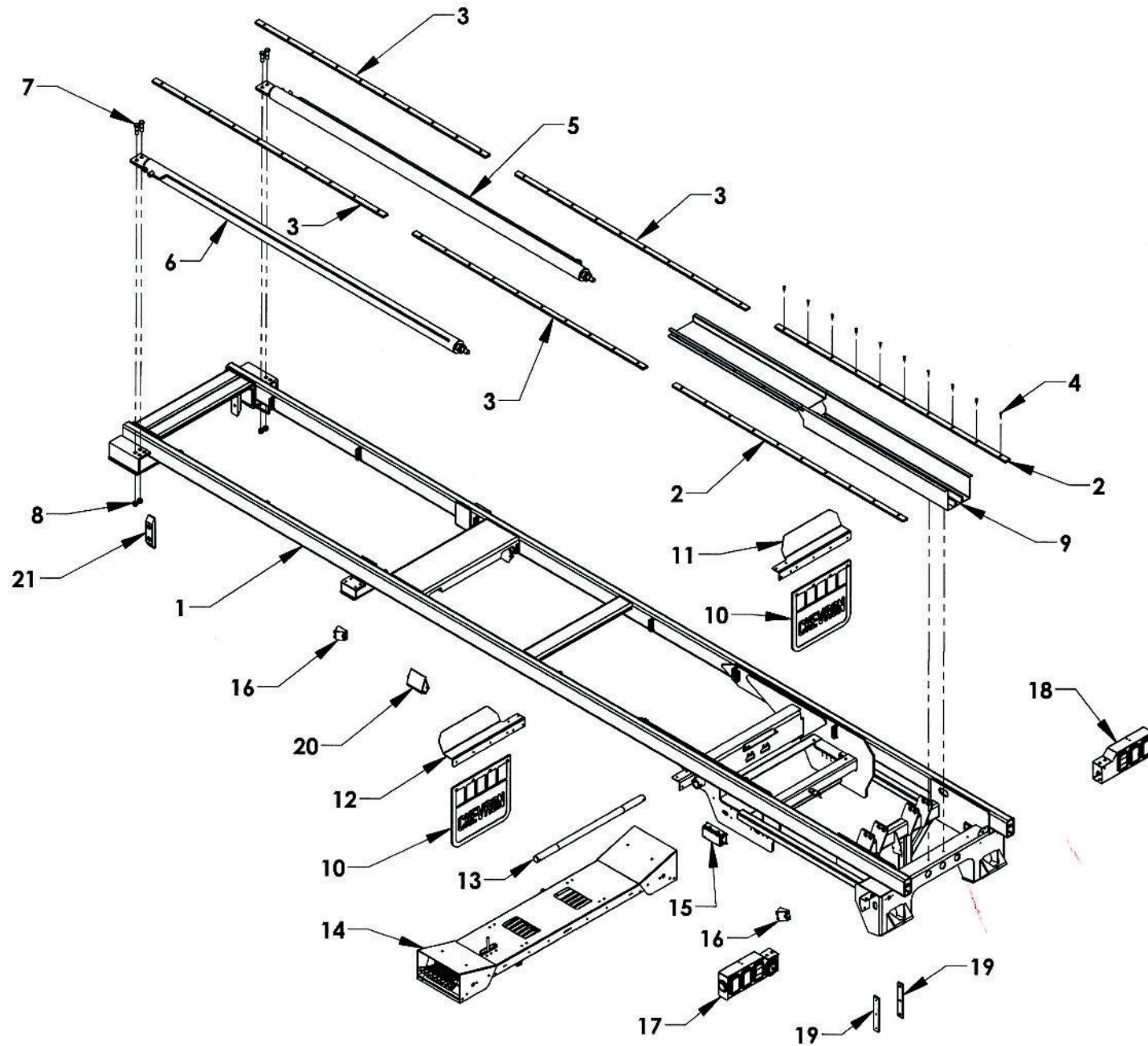
**Section V - PARTS (cont'd)**  
**SERIES 30 INDUSTRIAL LCG BED ASSEMBLY**  
**REMOVABLE TUBE RAIL**



**Section V - PARTS (cont'd)**  
**SERIES 30 INDUSTRIAL LCG BED ASSEMBLY**  
**REMOVABLE TUBE RAIL**

REF. NO.	QPU	PART NUMBER	DESCRIPTION
1	1	3028430LDXXX-FW1	SERIES 30 INDUSTRIAL LCG BED WELDMNT
2	1	7112014	10 TON WARN WINCH ASSEMBLY
	1	7113014	15 TON WARN WINCH ASSEMBLY
3	1	0306034	WINCH CABLE ASSEMBLY - 9/16 x 75 FT
4	2	0301932	FRONT SAFETY CHAIN ASSEMBLY - 5/16 x 10'
5	1	35FL050	LCG CAB PROTECTOR WELDMNT - 50 INCHES
	1	35FL052	LCG CAB PROTECTOR WELDMNT - 52 INCHES
	1	35FL056	LCG CAB PROTECTOR WELDMNT - 56 INCHES
	1	35FL060	LCG CAB PROTECTOR WELDMNT - 60 INCHES
	1	35FL063	LCG CAB PROTECTOR WELDMNT - 63 INCHES
	1	35FL065	LCG CAB PROTECTOR WELDMNT - 65 INCHES
	1	35FL068	LCG CAB PROTECTOR WELDMNT - 68 INCHES
6	2	346064	REAR REMOVABLE TUBE RAIL - STEEL (3 POST)
7	2	346071M	MID REMOVABLE TUBE RAIL - STEEL (3 POST)
8	2	346095F	FRONT REMOVABLE TUBE RAIL - STEEL (4 POST)
9	6	0306070	LYNCH PIN
10	2	98710	JUNCTION BOX - 10 POST
11	2	33415	BEARING PAD-LOWER MAIN SILL
12	1	33813	ANTI-TILT PLATE
13	2	0311512	LED MARKER LIGHT, RED
14	6	0311513	LED MARKER LIGHT, AMBER
15	8	0311516	GROMMET, ROUND RUBBER

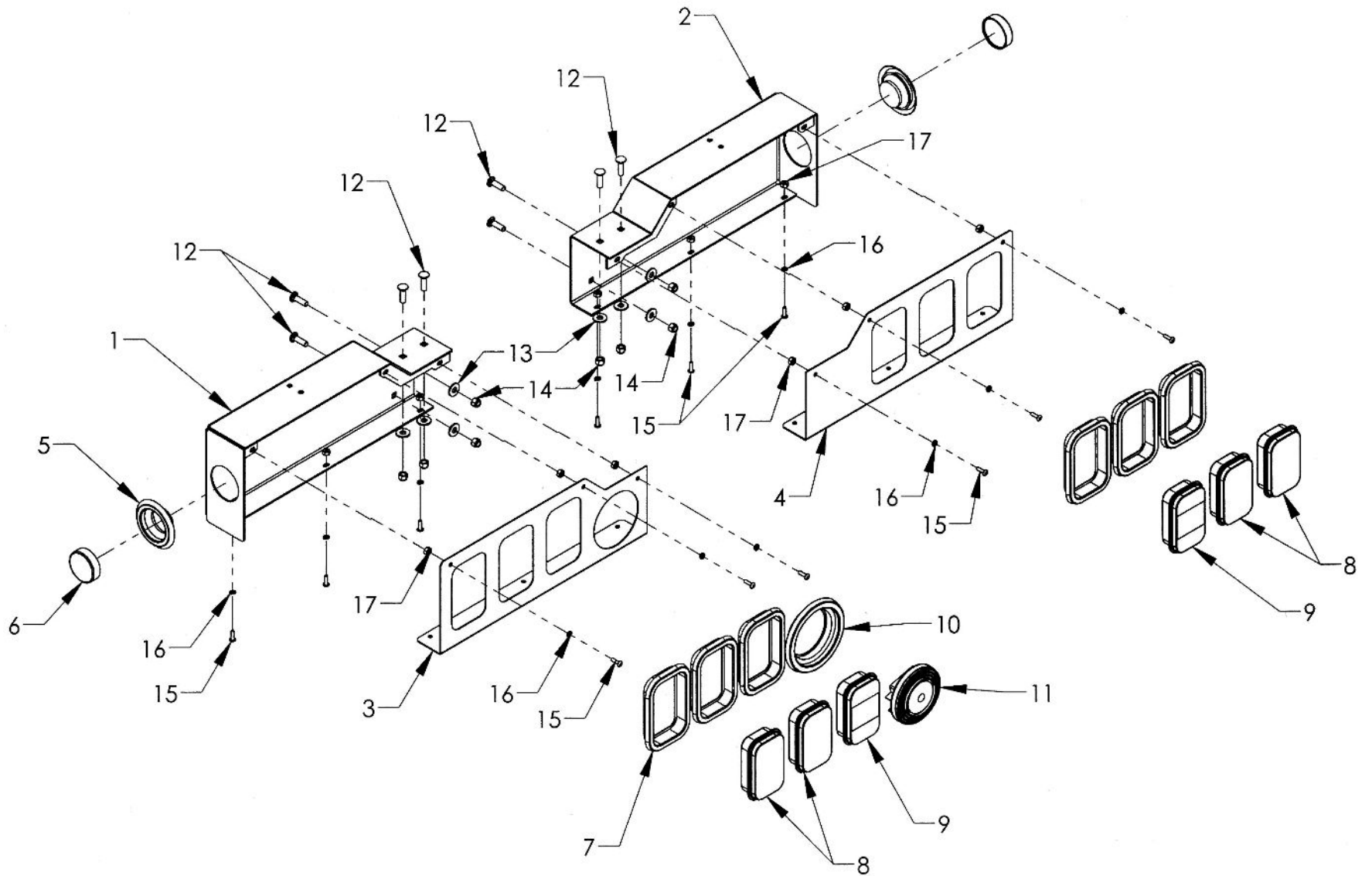
Section V - PARTS (cont'd)  
INDUSTRIAL 30 LCG SUBFRAME SUPER SINGLE



**Section V - PARTS (cont'd)**  
**30 LCG SUPER SINGLE SUBFRAME**

REF. NO.	NO. REQ'D	PART NUMBER	DESCRIPTION
1	1	0809475-XX	SUPER SINGLE SUBFRAME
2	2	0750752	WEAR STRIP 5/8 x 1-3/4 x 96 GRAY
3	4	0750753	WEAR STRIP 5/8 x 1-3/4 x 96 BLACK
4	60	81121	ALLEN COUNTERSUNK BOLT 5/16 UNC x 1-1/4
5	1	72A40120R	SLIDEBACK CYLINDER (RH) 3.5 x 120
6	1	72A40120L	SLIDEBACK CYLINDER (LH) 3.5 x 120
7	4	-	BOLT 7/8-9 UNC x 2-3/4
8	4		NYLON LOKC NUT 7/8-9 UNC
9	1	0809474	3 BAY HOSE TRAY
10	2	A1027	MUDFLAP 24 x 24
11	1	0750814R	SPLASH GUARD (RH)
12	1	0750814L	SPLASH GUARD (LH)
13	1	0750751	HINGE PIN
14	1	183126	6-SPOOL CONTROL STATION
15	1	98710	JUNCTION BOX
16	1	74345	COUNTERBALANCE VALVE
17	1	0940330L	TAIL LIGHT HOUSING GROUP (LH)
18	1	0940330R	TAIL LIGHT HOUSING GROUP (RH)
19	2	163144	STABILIZER W/L GUIDE PAD
20	2	0809483	SUBFRAME WEDGE
21	2	0750819	SUBFRAME WEDGE

Section V - PARTS (cont'd)  
INDUSTRIAL LCG TAIL LIGHT COMPONENTS



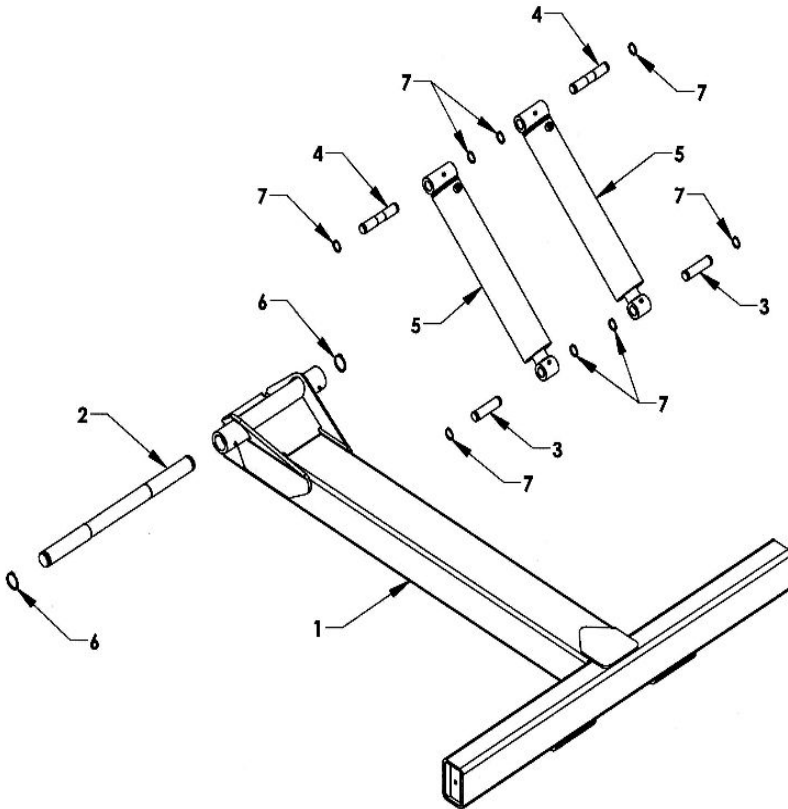


## Section V - PARTS TAIL LIGHT COMPONENTS

REF	PART #	DESCRIPTION	QPU
1	0809470L	TAIL LIGHT HOUSING WELDMENT - LEFT	1
2	0809470R	TAIL LIGHT HOUSING WELDMENT - RIGHT	1
3	0752003L	S30 LCG TAIL LIGHT BEZEL - LEFT G2	1
4	0752003R	S30 LCG TAIL LIGHT BEZEL - RIGHT G2	1
5	0311516	2-1/2 IN. MARKER LIGHT GROMMET	2
6	0311512	2-1/2 IN. RED MARKER LIGHT	2
7	3011511	CARRIER TAIL LIGHT GROMMET	6
8	0311507	CARRIER TAIL LIGHT	4
9	0311510	CARRIER BACK UP LIGHT	2
10	0311528	BACK UP ALARM GROMMET	1
11	0306385	BACK UP ALARM	1
12	-	BOLT, CARRIAGE 3/8-16 UNC x 1-1/4 SS	8
13	-	FLAT WASHER - 3/8	8
14	-	NYLON LOCK NUT 3/8-16 UNC	8
15	-	BOLT, RHMS 1/4-20 UNC x 3/4	12
16	-	LOCK WASHER - 1/4	12
17	-	HEX NUT 1/4-20 UNC	12

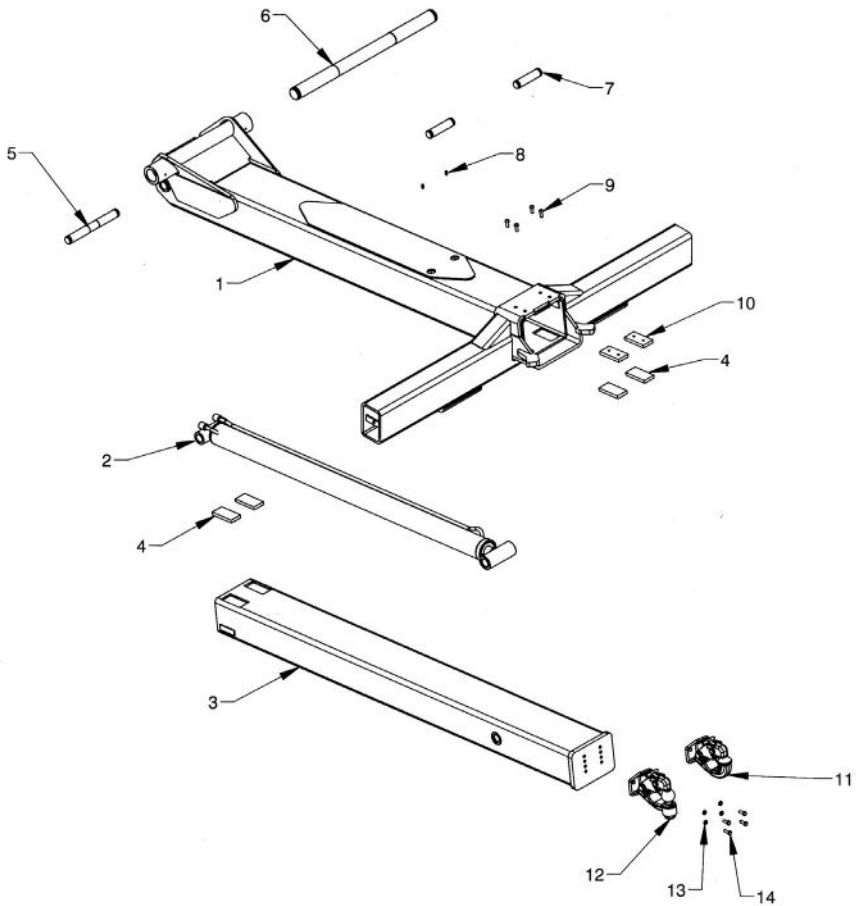
## Section V - PARTS

### INDUSTRIAL LCG DOCK STABILIZER



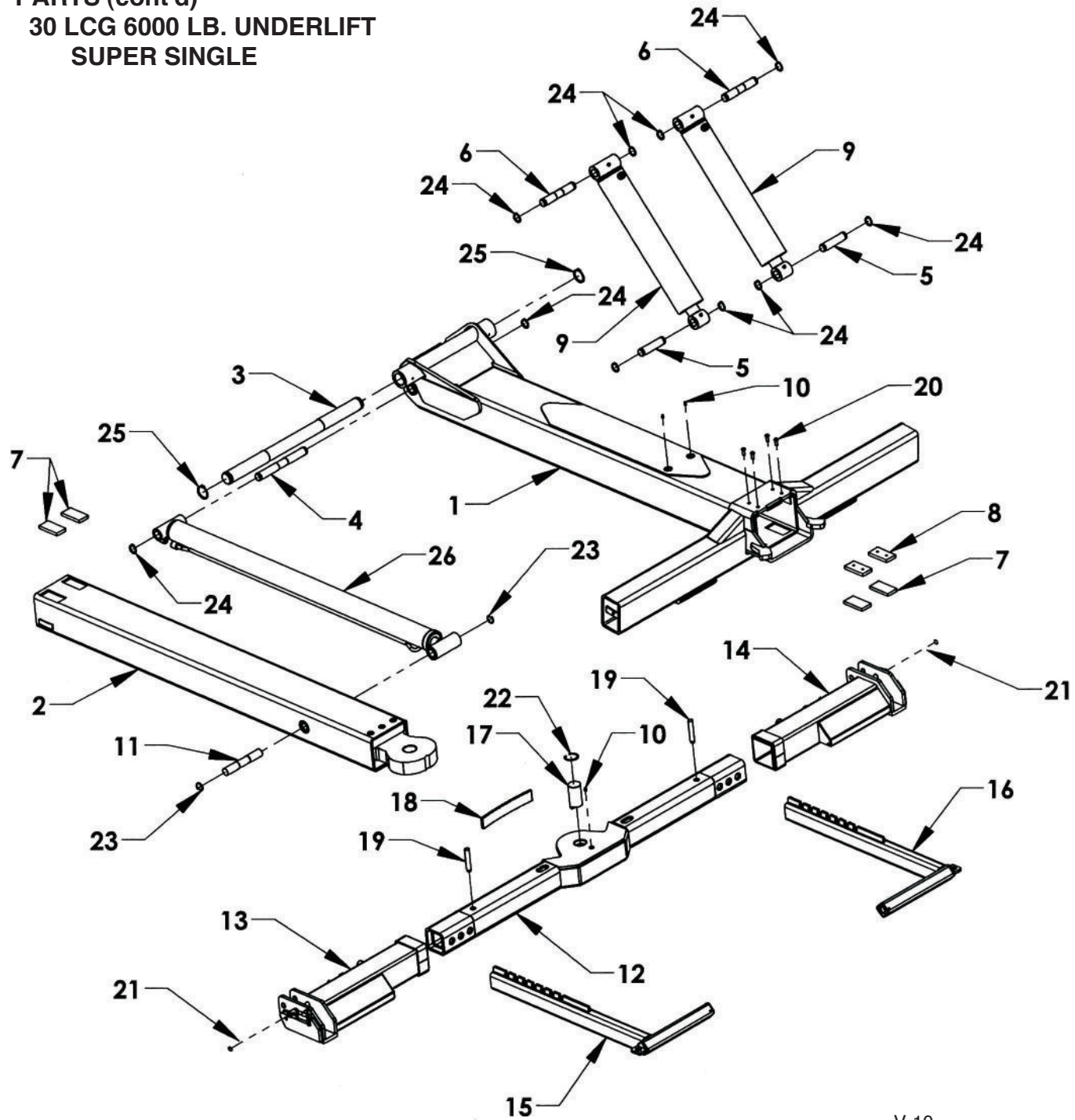
REF	PART #	DESCRIPTION	QPU
1	0811166	INDUSTRIAL LCG DOCK STABILIZER WLMT	1
2	143122	HINGE PIN	1
3	16362	LIFT CYLINDER ROD PIN	2
4	16363	LIFT CYLINDER BASE PIN	2
5	72118	LIFT CYLINDER	2
6	86200E	SNAP RING, 2 INCH EXTERNAL	2
7	86125E	SNAP RING, 1-1/4 INCH EXTERNAL	8

## Section V - PARTS (cont'd) SERIES 30 LCG TELESCOPING PINTLE



REF	PART #	DESCRIPTION	QPU
1	0809466	LCG SERIES 30 UNDERLIFT OUTER BOOM TUBE	1
2	72A30052	CYLINDER-STABILIZER/WHEEL LIFT EXTENSION	1
3	10262P	6K INNER PINTLE BOOM	1
4	63595	WEAR PAD NYLATRON NSM 1/2 x 2 x 4	4
5	729372	W/L CYLINDER PIN	1
6	143122	UNDERLIFT HINGE PIN	1
7	16362	SERIES 30 STABILIZER PIN	2
8	7B130	GREASE FITTING 1/4-28	2
9		BOLT BHCS 3/8-16 UNC x 1	4
10	63595H	WEAR PAD NYLATON NSM 1/2 x 2 x 4 W/HOLES	2
11	A3020H	PINTLE HOOK ATTACHMENT	1
12	A3020	PINTLE BALL ATTACHMENT	1
13		WASHER, 3/8 LOCK	4
14		BOLT - HEX 3/8-16 x 1	4

Section V - PARTS (cont'd)  
30 LCG 6000 LB. UNDERLIFT  
SUPER SINGLE



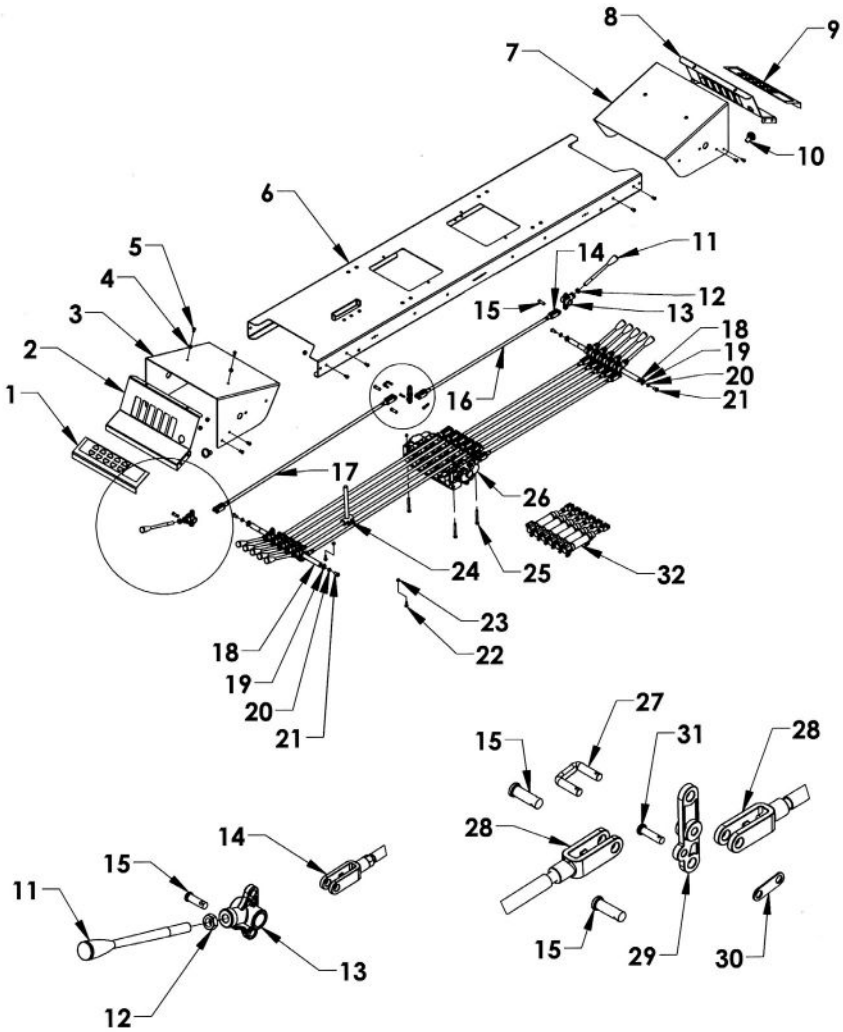
## Section VI - PARTS

### INDUSTRIAL 30 LCG WHEEL LIFT 6000 LB.

REF	PART #	DESCRIPTION	QPU
1	0809466	OUTER BOOM WELDMENT	1
2	10262	INNER BOOM WELDMENT	1
3	143122	WHEEL LIFT HINGE PIN	1
4	729372	EXTEND CYLINDER MOUNTING PIN 1.230 x 10-1/2	1
5	16362	LIFT CYLINDER ROD PIN	2
6	16363	LIFT CYLINDER BASE PIN	2
7	63395	BEARING PAD, NYLATRON	4
8	93595H	SPACER PAD	2
9	72118	LIFT CYLINDER	2
10	7B130	GREASE FITTING - STRAIGHT	3
11	72938	EXTEND CYLINDER MOUNTING PIN 1/130 x 7-5/8	1
12	685102	CROSSBAR WELDMENT - 4" SQUARE	1
13	66260L	OUTER XTUBE ASSEMBLY - LEFT	1
14	66260R	OUTER XTUBE ASSEMBLY - RIGHT	1
15	66250L	L-ARM LEFT	1
16	66250R	L-ARM RIGHT	1
17	66430	CROSSBAR PIVOT PIN	1
18	65228	YOKE SPRING	1
19	66245	CROSSBAR EXTENSION PIN	2
20	812A9	3/8-16 x 1 BUTTON HEAD CAP SCREW	4
21	84922	T-PIN 3/4 x 3-1/2	2
22	86200I	SNAP RING - 2" INTERNAL	1
23	86125I	SNAP RING - 1-1/4" INTERNAL	2
24	86125E	SNAP RING - 1-1/4" EXTERNAL	10
25	86200E	SNAP RING - 2" EXTERNAL	2
26	7212730	EXTEND CYLINDER	1

# Section V - PARTS

## 6-SPOOL CONTROL STATION



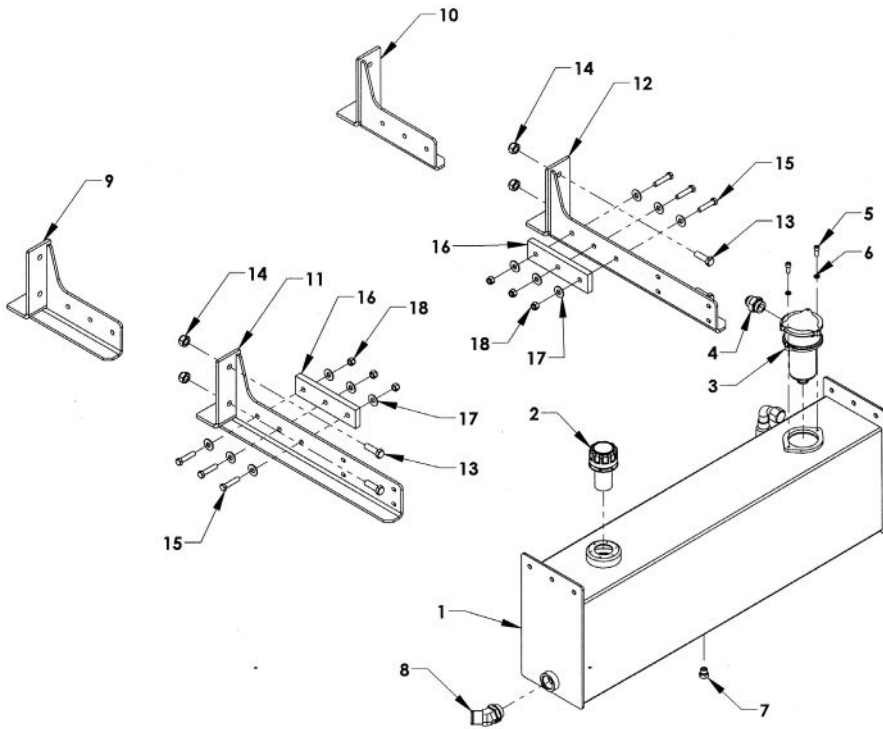
## Section V - PARTS

### 6-SPOOL CONTROL STATION

REF. NO.	NO. REQ'D	PART NUMBER	DESCRIPTION
1	1	18212L/18214L	5 SPOOL/6 SPOOL CONTROL PLACARD-LEFT
2	1	18126L	CONTROL PANEL - LEFT
3	1	181273L	CONTROL HOOD - LEFT
4	23		NYLON LOCK NUT 5/16-18 UNC
5	16		BOLT, BUTTON HEAD 5/16-18 UNC x 5/8
6	1	181286W	CONTROL BOX ARM WELDMENT - 79.5 IN.
7	1	181273R	CONTROL HOOD - RIGHT
8		18126R	CONTROL PANEL - RIGHT
9	1	18212R/18214R	5 SPOOL/6 SPOOL CONTROL PLACARD - RIGHT
10	1	0320031	CONTROL LIGHT - 2 WIRE
11	2	0320048-GR	GREEN CONTROL HANDLE
	4	0320048-BL	BLUE CONTROL HANDLE
	2	0320048-RD	RED CONTROL HANDLE
	4	0320048-GY	GREY CONTROL HANDLE
12	12		JAM NUT 1/2-13 UNC ZINC PLATE
13	12	7A1155	CONTROL HANDLE PIVOT BASE
14	12	84530	CLEVIS - RIGHT HAND THREAD
15	24	84620	CLEVIS PIN, 3/8 x 1-1/8
16	6	7A528W	CONTROL ROD 28-1/2
17	6	7A538W	CONTROL ROD 37-3/4
18	2	7A5753-17	CONTROL HANDLE CROSS ROD 3/4 x 17
19	4	86075E	SNAP RING 3/4 EXTERNAL
20	4		LOCK WASHER 3/8
21	4		BOLT, BUTTON HEAD 3/8-16 UNC x 3/4
22	4		BOLT, HHCS 1/4-20 UNC x 3/4
23	4		NYLON LOCK NUT 1/4-20 UNC
24	1	0809904	ANTI-TILT CONTROL ROD WELDMENT
25	3		BOLT, HHCS 5/16 -18 UNC x 2-3/4
26	1	74116	VALVE BODY GRESSEN 6 SPOOL
27	6	7A010LINK	CLEVIS LINK
28	12	84540	CLEVIS - LEFT HAND THREAD
29	6	7A121	BELL CRANK
30	6	7A010LINKPLATE	CLEVIS LINK PLATE
31	6	84610	CLEVIS PIN, 1/4 x 15/16
32	6	PC32850	AIR CYLINDER - 2 IN. STROKE

## Section V - PARTS

### OUTBOARD HYDRAULIC TANK

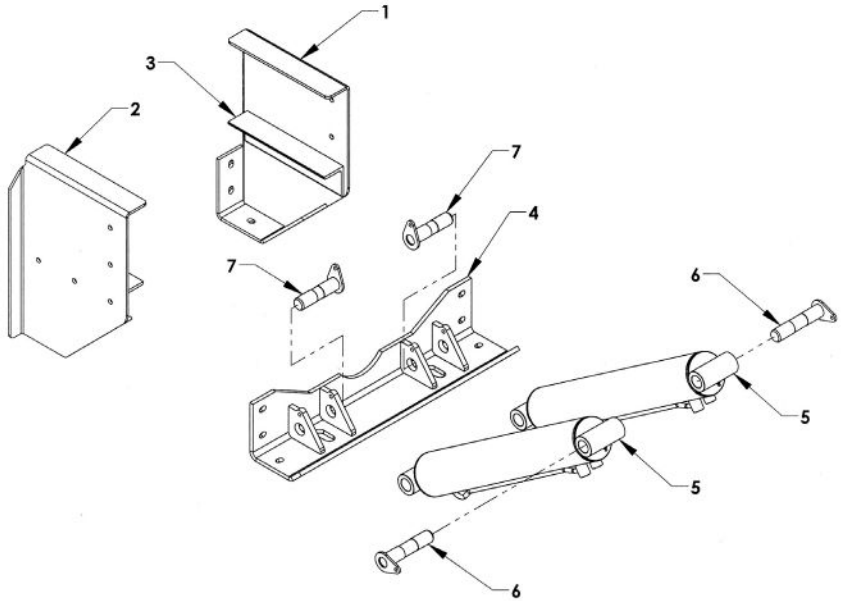


REF	PART #	DESCRIPTION	QPU
1	0809490	OUTBOARD OIL RESERVOIR WELDMENT	1
2	76213	FILLER/BREATHER CAP	1
3	9018399	FILTER ASSEMBLY	1
	0310297	REPLACEMENT FILTER ELEMENT	1
4	ADPTR202702 16x16	ADAPTOR 202702 16 x 16	1
5	0403109	CAP SCREW 3/8-16 UNC x 7/8 SS	2
6	0400482	LOCK WASHER 3/8 ZINC PLATED	2
7	0403113	#8 O-RING PLUG - ADAPTOR 900598-8	1
8	ADPTR2061 20x24H	20 x 24 SUCTION HOSE FITTING 45 IN.	1
	ADPTR2062 20x24H	20 x 24 SUCTION HOSE FITTING 90 IN.	1
9	0809492L	LCG TANK MOUNTING BRACKET - LEFT	1
10	0809492R	LCG TANK MOUNTING BRACKET - RIGHT	1
11	0809491L	LCG TANK MTG BRKT-L (USE W/TOOL BOX)	1
12	0809491R	LCG TANK MTG BRKT-R (USE W/TOOL BOX)	1
13	0400260	BOLT 5/8-11 UNC x 2 GR 5 ZINC PLATED	4
14	0400421	NYLON LOCK NUT 5/8-11 UNC ZINC PLATED	4
15	0400181	BOLT 1/2-13 UNC x 1-1/2 GR 5 ZINC PLATED	6
16	12826	TOOL BOX SHIM (USED W/49 INCH TOOL BOX)	2
17	0400492	FLAT WASHER 1/2 ZINC PLATED	12
18	0400408	NYLON LOCK NUT 1/2-13 UNC ZINC	6



## Section V - PARTS

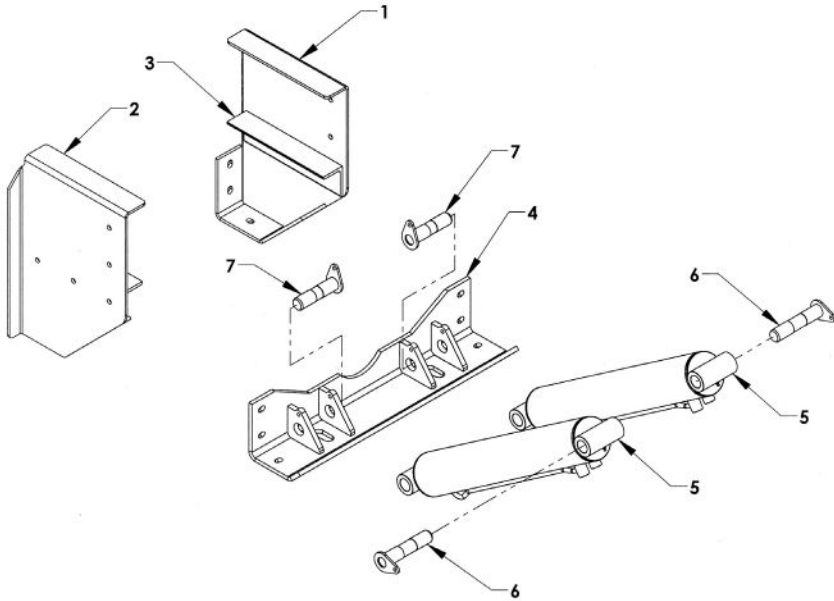
### 30 LCG TILT CYLINDER COMPONENTS (TANDEM AXLE CONFIGURATION)



REF	PART #	DESCRIPTION	QPU
1	1A510R	TILT CYLINDER SADDLE 24 IN - RIGHT	1
2	1A510L	TILT CYLINDER SADDLE 24 IN. - LEFT	1
3	1A514	UNDERFRAME SUPPORT ANGLE	2
4	1A550	CONNECTING ANGLE - LCG	1
5	72A450235	TILT CYLINDER - LCG	2
6	0809477	TILT CYLINDER BASE PIN	2
7	1A555	TILT CYLINDER ROD PIN	2

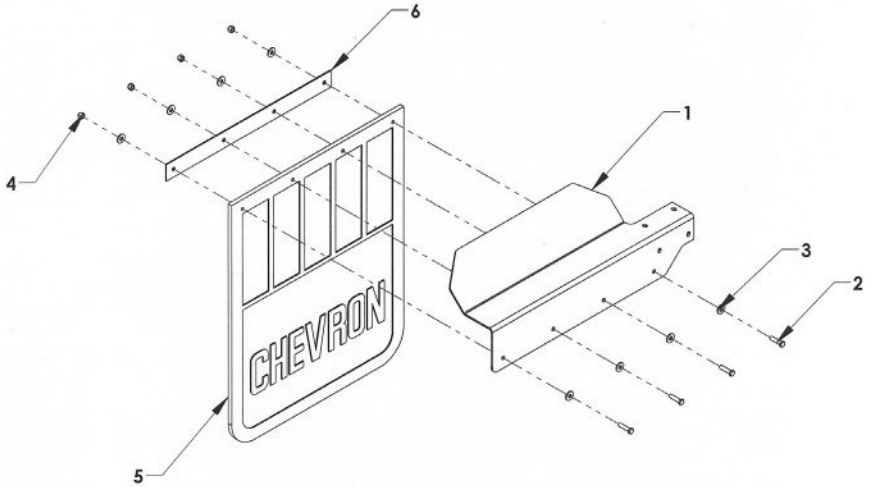
## Section V - PARTS

### 30 LCG TILT CYLINDER COMPONENTS (TRI-AXLE CONFIGURATION)



REF	PART #	DESCRIPTION	QPU
1	1A510TR	TILT CYLINDER SADDLE TRI-AXLE 28 IN- RIGHT	1
2	1A510TL	TILT CYLINDER SADDLE TRI-AXLE 28 IN. - LEFT	1
3	1A514	UNDERFRAME SUPPORT ANGLE	2
4	1A550	CONNECTING ANGLE - LCG	1
5	72A450335	TILT CYLINDER EXTENDED TRI-AXLE - LCG	2
	72A450305	TILT CYLINDER STANDARD TRI-AXLE - LCG	2
6	0809477	TILT CYLINDER BASE PIN	2
7	1A555	TILT CYLINDER ROD PIN	2

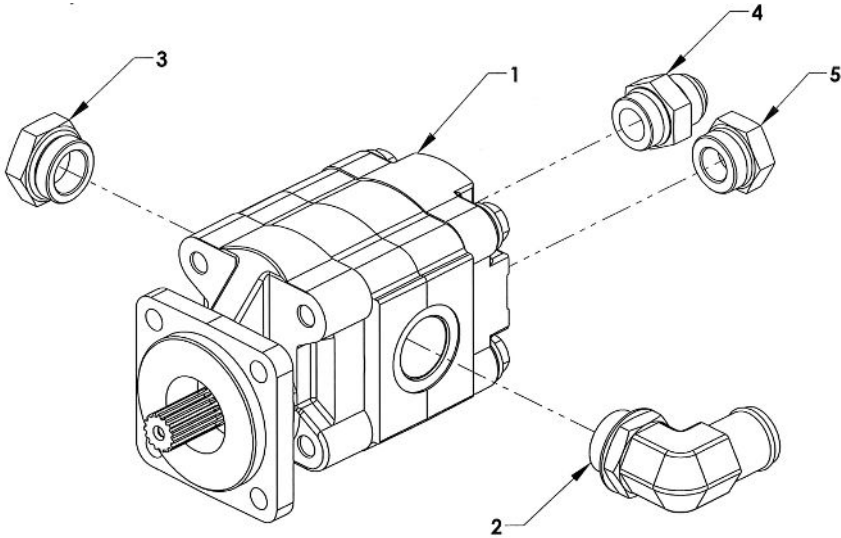
**Section V - PARTS (cont'd)**  
**30 LCG MUDFLAP COMPONENTS**



REF	PART #	DESCRIPTION	QPU
1	0750814L	MUDFLAP MOUNTING BRACKET (LH)	1
	0750814R	MUDFLAP MOUNTING BRACKET (RH)	1
2	81240	3/8 x 1-1/2 BOLT	8
3	82210	3/8 FLAT WASHER	16
4	83211	3/8 NYLON LOCK NUT	8
5	A1027	MUDFLAP 24 x 24	2
	A1030	MUDFLAP 24 x 30	2
6	0750340	MUDFLAP SUPPORT BAR	2

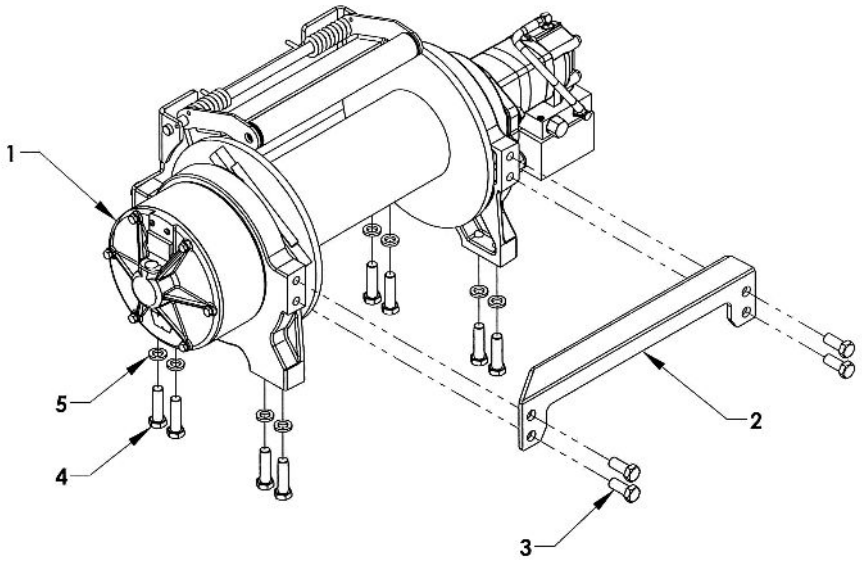
## Section V - PARTS

### DIRECT MOUNT PUMP



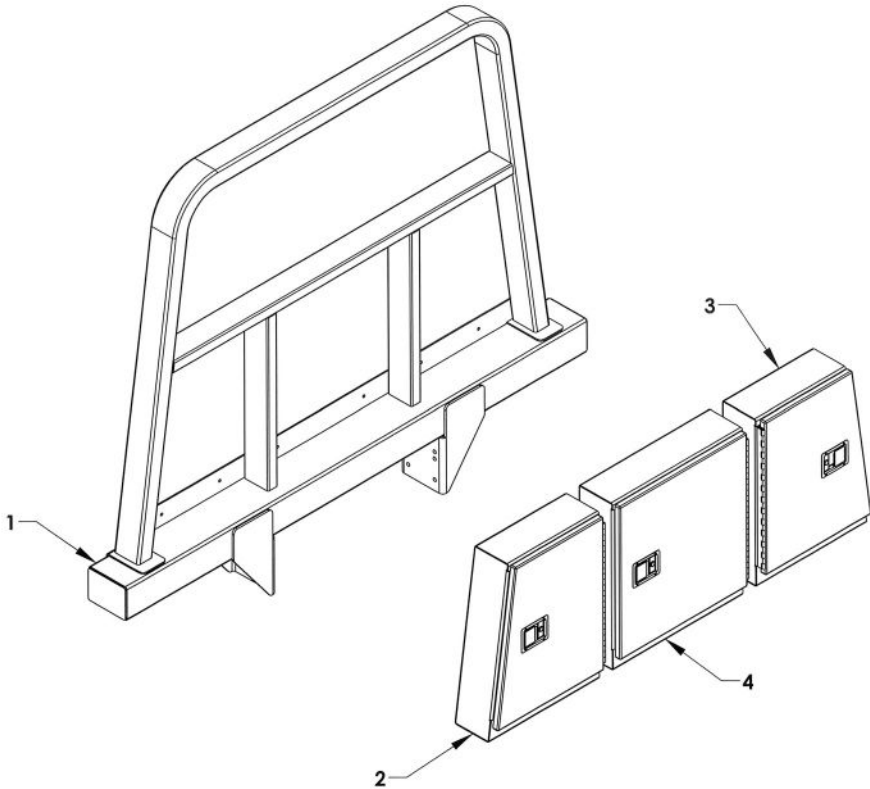
REF	PART #	DESCRIPTION	QPU
1	78006	PUMP-24 GPM , 1 IN. 15 SPLINE SHAFT, SAE 4-BOLT FLANGE	1
	77C92	1-1/4 x 90 M-M O-RING x 1-1/2 NIPPLE	1
3	77620	1-1/4 O-RING PLUG 900598-20	1
4	779A8	1 O-RING x 1 JICF 202702 - 16 x 16	1
5	77616	1 O-RING PLUG 900598-16	1

**Section V - PARTS (cont'd)**  
**WARN SERIES 20 PLANETARY WINCH GROUP**



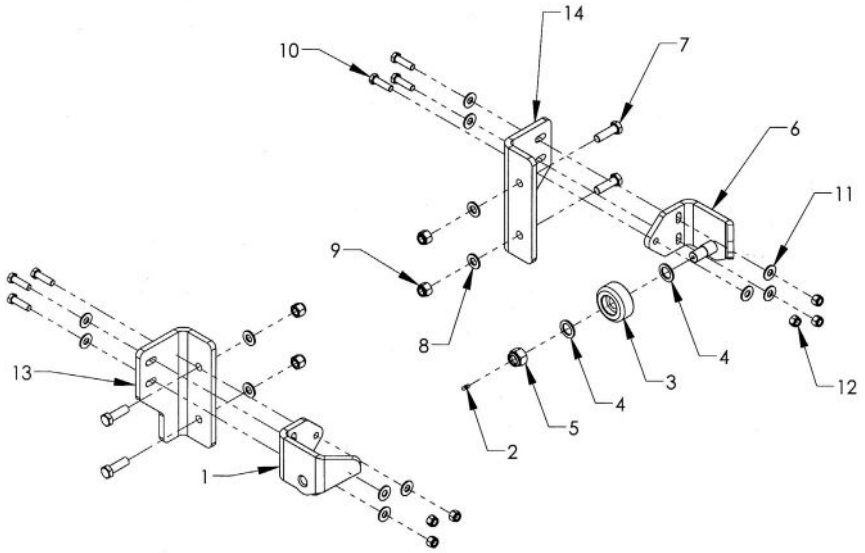
REF	PART #	DESCRIPTION	QPU
1	7112014	WARN SERIES 20 PLANETARY WINCH	1
2	0750984	DRUM SUPPORT CROSSBAR	7
3	81510	BOLT 5/8-11 UNC x 1-1/2 GR 5 ZINC PLATED	8
4	81522	BOLT 5/8-11 UNC x 2-1/4 GR 8 ZINC PLATED	8
5	82420	LOCK WASHER 5/8 ZINC PLATED	8

**Section V - PARTS (cont'd)**  
**TRI-BOX PYLON**



REF	PART #	DESCRIPTION	QPU
1	354656	FRAME MOUNTED PYLON BASE WLMT - 56 INCHES	1
	354660	FRAME MOUNTED PYLON BASE WLMT - 60 INCHES	1
	354663	FRAME MOUNTED PYLON BASE WLMT - 63 INCHES	1
	354668	FRAME MOUNTED PYLON BASE WLMT - 68 INCHES	1
2	374010L	PYLON BOX - LEFT	1
3	374010R	PYLON BOX - RIGHT	1
4	374020	PYLON BOX - CENTER	1
		BOX MOUNTING HARDWARE	
	81230	3/8-16 UNC x 1-1/4 HEX HD BOLT	12
	83211	3/8-16 UNC NYLON LOCK NUT	12
	82210	5/8 FLAT WASHER	24
		FRAME BRACKET HARDWARE	
	81520	5/8-11 UNC x 2 HEX HD BOLT	8
	83411	5/8-11 UNC NYLON LOCK NUT	8
	82410	5/8 FLAT WASHER	16

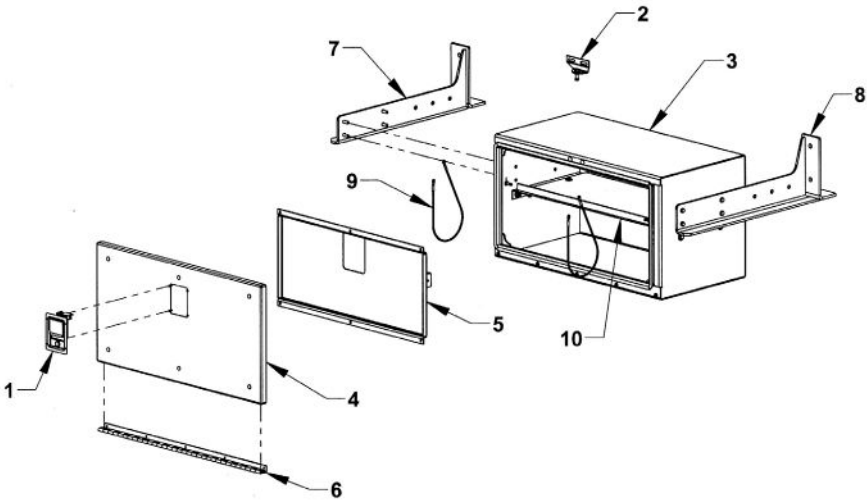
## Section V - PARTS BODY LOCK



REF	PART #	DESCRIPTION	QPU
1	36315L	BODY LOCK HOLD-DOWN-LEFT	1
2	7B130	GREASE FITTING 1/4-28	2
3	36310	ROLLER WHEEL	2
4	82710	WASHER FLAT 1 IN. ID	4
5	83610	7/8-14 UNF NYLON LOCK NUT	2
6	36315R	BODY LOCK HOLD-DOWN-RIGHT	1
7	81520	BOLT 5/8-11 UNC x 2 GR5	4
8	82410	FLAT WASHER 5/8	4
9	83411	NUT 5/8-11 UNC NYLON LOCK	4
10	81438	1/2-20 UNF x 1-1/4 HHCS	6
11	82310	FLAT WASHER 1/2 IN.	10
12	83324	NYLON LOCK NUT 1/2-20 UNF	6
13	364110L	LCG BED LOCK MOUNTING BRACKET-LEFT	1
14	364110R	LCG BED LOCK MOUNTING BRACKET-RIGHT	1

## Section V - PARTS

### 33" ALUMINUM TOOLBOX - 377000

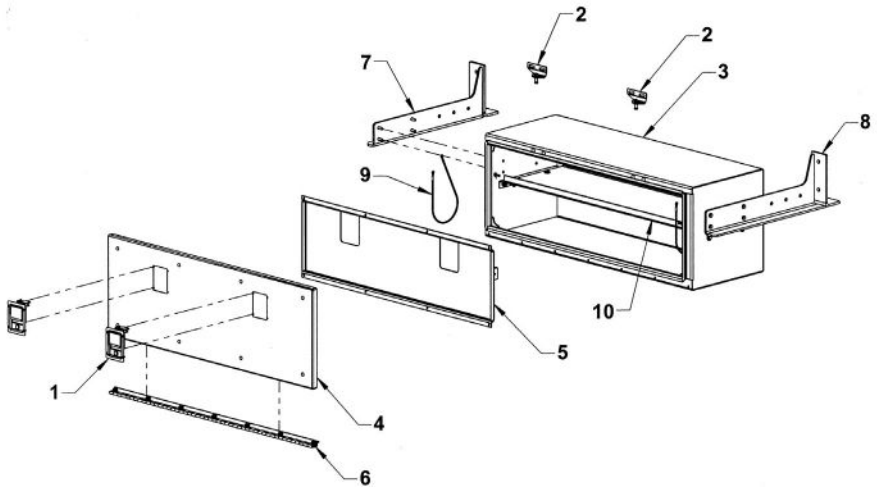


REF	PART #	DESCRIPTION	QPU
1	54658	ROTARY PADDLE LATCH	1
	54657	GASKET FOR PADDLE LATCH	1
	81111	#8-32 X 1/2 STAINLESS ONE WAY SCREW	4
	83111	#8-32 STAINLESS KEPT NUT	4
2	376182	STRIKER PIN MOUNTING PLATE	1
	54659	STRIKER PIN	1
	81115	STAINLESS CARRIAGE BOLT 5/16-18 x 3/4	2
	82110	FLAT WASHER 5/16	4
	82130	LOCK WASHER 5/16	2
	83110	NUT 5/16-18	2
	83125	NYLON LOCK NUT 5/16-18	1
	3	377100W	BOX WELDMENT
4	37741	DOOR WELDMENT	1
	37740	DOOR ASSEMBLY	1
	81100	STAINLESS CARRIAGE BOLT 1/4-20 x 3/4	6
	83105	NYLON LOCK NUT 1/4-20	6
	5	37744	DOOR REINFORCEMENT
6	37735	HINGE	1
	811014	SS SOCKET BUTTON HEAD BOLT 1/4-20 x 7/8	2
	811012	SS SOCKET BUTTON HEAD BOLT 1/4-20 x 3/4	3
	811010	SS SOCKET BUTTON HEAD BOLT 1/4-20 x 5/8	5
	83105	NYLON LOCK NUT 1/4-20	10
7	0809491L	30/40 LCG TOOLBOX MOUNTING BRKT - LEFT	1
8	0809491R	30/40 LCG TOOLBOX MOUNTING BRKT - RIGHT	1
9	5A221	LANYARD-21 INCH	2
10	37770	SHELF	1



## Section V - PARTS

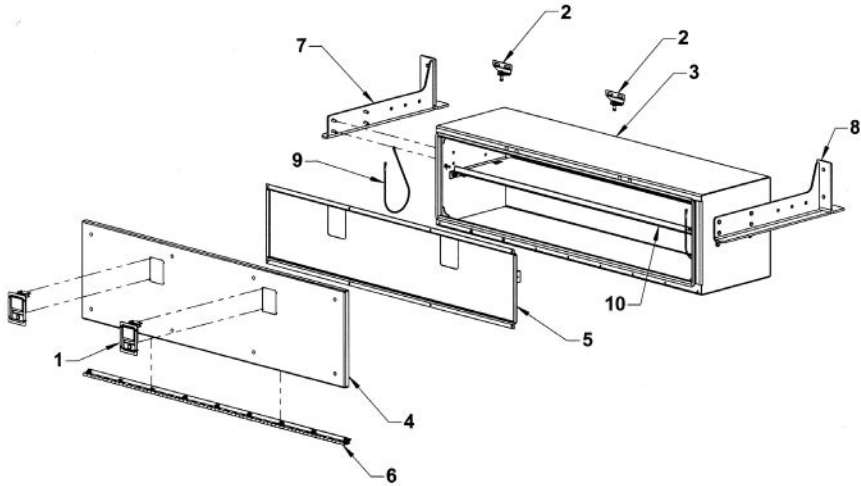
### 49" ALUMINUM TOOLBOX - 378000



REF	PART #	DESCRIPTION	QPU	
1	54658	ROTARY PADDLE LATCH	2	
	54657	GASKET FOR PADDLE LATCH	2	
	81111	#8-32 X 1/2 STAINLESS ONE WAY SCREW	8	
	83111	#8-32 STAINLESS KEPT NUT	8	
	2	376182	STRIKER PIN MOUNTING PLATE	2
54659		STRIKER PIN	2	
81115		STAINLESS CARRIAGE BOLT 5/16-18 x 3/4	4	
82110		FLAT WASHER 5/16	8	
82130		LOCK WASHER 5/16	4	
83110		NUT 5/16-18	4	
83125		NYLON LOCK NUT 5/16-18	2	
3		378100W	BOX WELDMENT	1
4		37841	DOOR WELDMENT	1
		37840	DOOR ASSEMBLY	1
	81100	STAINLESS CARRIAGE BOLT 1/4-20 x 3/4	8	
	83105	NYLON LOCK NUT 1/4-20	8	
	5	37844	DOOR REINFORCEMENT	1
6	37835	HINGE	1	
	811014	SS SOCKET BUTTON HEAD BOLT 1/4-20 x 7/8	2	
	811012	SS SOCKET BUTTON HEAD BOLT 1/4-20 x 3/4	5	
	811010	SS SOCKET BUTTON HEAD BOLT 1/4-20 x 5/8	7	
	83105	NYLON LOCK NUT 1/4-20	14	
7	0809491L	30/40 LCG TOOLBOX MOUNTING BRKT - LEFT	1	
8	0809491R	30/40 LCG TOOLBOX MOUNTING BRKT - RIGHT	1	
9	5A221	LANYARD-21 INCH	2	
10	37670	SHELF	1	

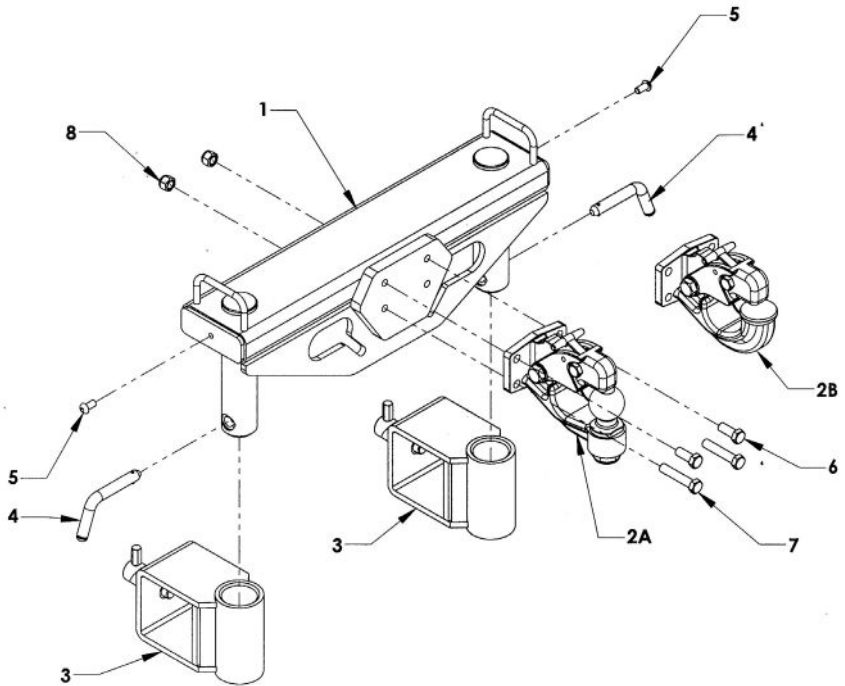
## Section V - PARTS

### 65" ALUMINUM TOOLBOX - 379000



REF	PART #	DESCRIPTION	QPU
1	54658	ROTARY PADDLE LATCH	2
	54657	GASKET FOR PADDLE LATCH	2
	81111	#8-32 X 1/2 STAINLESS ONE WAY SCREW	8
	83111	#8-32 STAINLESS KEPT NUT	8
2	376182	STRIKER PIN MOUNTING PLATE	2
	54659	STRIKER PIN	2
	81115	STAINLESS CARRIAGE BOLT 5/16-18 x 3/4	4
	82110	FLAT WASHER 5/16	8
	82130	LOCK WASHER 5/16	4
	83110	NUT 5/16-18	4
	83125	NYLON LOCK NUT 5/16-18	2
	379100W	BOX WELDMENT	1
4	37941	DOOR WELDMENT	1
	37940	DOOR ASSEMBLY	1
	81100	STAINLESS CARRIAGE BOLT 1/4-20 x 3/4	8
	83105	NYLON LOCK NUT 1/4-20	8
	37944	DOOR REINFORCEMENT	1
6	37935	HINGE	1
	811014	SS SOCKET BUTTON HEAD BOLT 1/4-20 x 7/8	2
	811012	SS SOCKET BUTTON HEAD BOLT 1/4-20 x 3/4	7
	811010	SS SOCKET BUTTON HEAD BOLT 1/4-20 x 5/8	9
	83105	NYLON LOCK NUT 1/4-20	18
7	0809491L	30/40 LCG TOOLBOX MOUNTING BRKT - LEFT	1
8	0809491R	30/40 LCG TOOLBOX MOUNTING BRKT - RIGHT	1
9	5A221	LANYARD-21 INCH	2
10	37970	SHELF	1

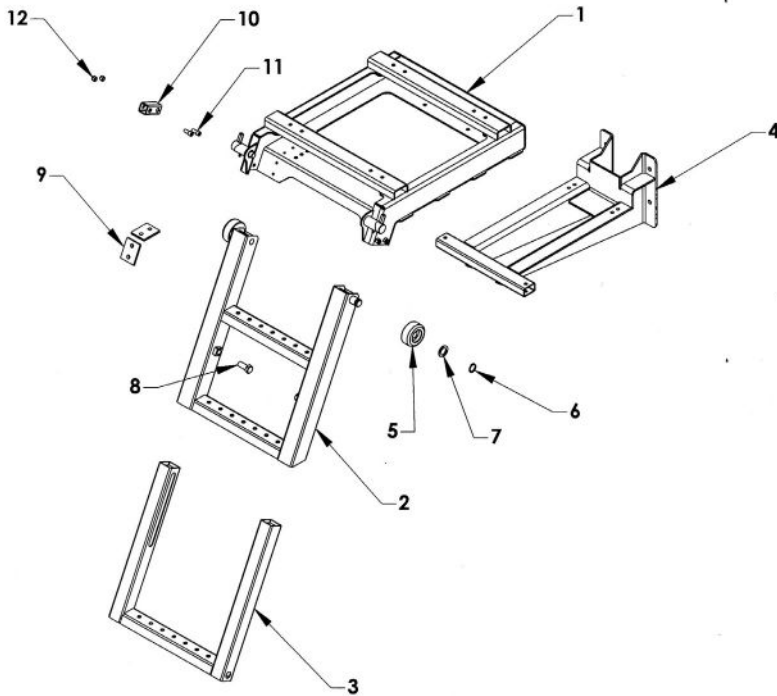
## Section V - PARTS PINTLE HITCH GROUP



REF	PART #	DESCRIPTION	QPU
	66370G	PINTLE HITCH GROUP	1
1	66370W	PINTLE HITCH WELDMENT	1
2A	A3020	TOW BALL PINTLE HITCH	1
2B	A3020H	PINTLE HOOK	1
3	66280	FORK HOLDER - 4 IN. CROSSBAR	2
	65460	FORK HOLDER - 3-1/2 IN. CROSSBAR	2
4	66378	RETAINING PIN	2
5	812A6	3/8 X 5/8 BUTTONHEAD BOLT	4
	5A220	LANYARD	2
6	81428	BOLT 1/2-13 X 1.25 GRADE 8 SECURE WITH LOCTITE	2
7	81449	BOLT 1/2-13 X 2.5 GRADE 8	2
8	83312	1/2-13 NUT NYLOK	2

## Section V - PARTS

### LCG RETRACTABLE LADDER



REF	PART #	DESCRIPTION	QPU
	390000	LADDER ASSEMBLY	1
1	391010	LADDER CARRIAGE	1
2	391020	UPPER RUNG ASSEMBLY	1
3	391030	LOWER RUNG ASSEMBLY	1
4	391050	FRAME MOUNTING BRACKET - OPTIONAL	1
5	36310	WHEEL	2
6	86100E	RETAINING RING 1.00 EXTERNAL	2
7	82710	FLAT WASHER 1 x 1.50	2
8	391026	RETAINING BOLT 5/8-11 x 1-1/2	2
9	391018	WEAR PAD	4
10	391015	RETAINING TUBE	2
11	81211	ALLEN HEAD BOLT 3/8-16 x 1	4
12	83211	NYLON LOCK NUT 3/8-16	4