

CHEVRON



OWNER'S MANUAL

Illustration Only

SERIES 20 GEN II 3-4 CAR CARRIER

INSTALLATION, OPERATION, MAINTENANCE & PARTS

**NOTE: MANUAL including SPECIFICATIONS, subject to change without notice
All ratings specified are based on structural factors only,
not vehicle capacities or capabilities.**

Miller Industries/Hermitage
2755 Kirila Dr.
Hermitage, PA 16148
(724) 981-3328

12/2019
PN 05002423

Section V - PARTS

This Section is provided by the manufacturer for the purpose of ordering any component parts that may be required when part replacement is necessary. Be certain to use only original equipment replacement parts for warranty purposes as well as for keeping your carrier in its original state and optimum operating capacities.

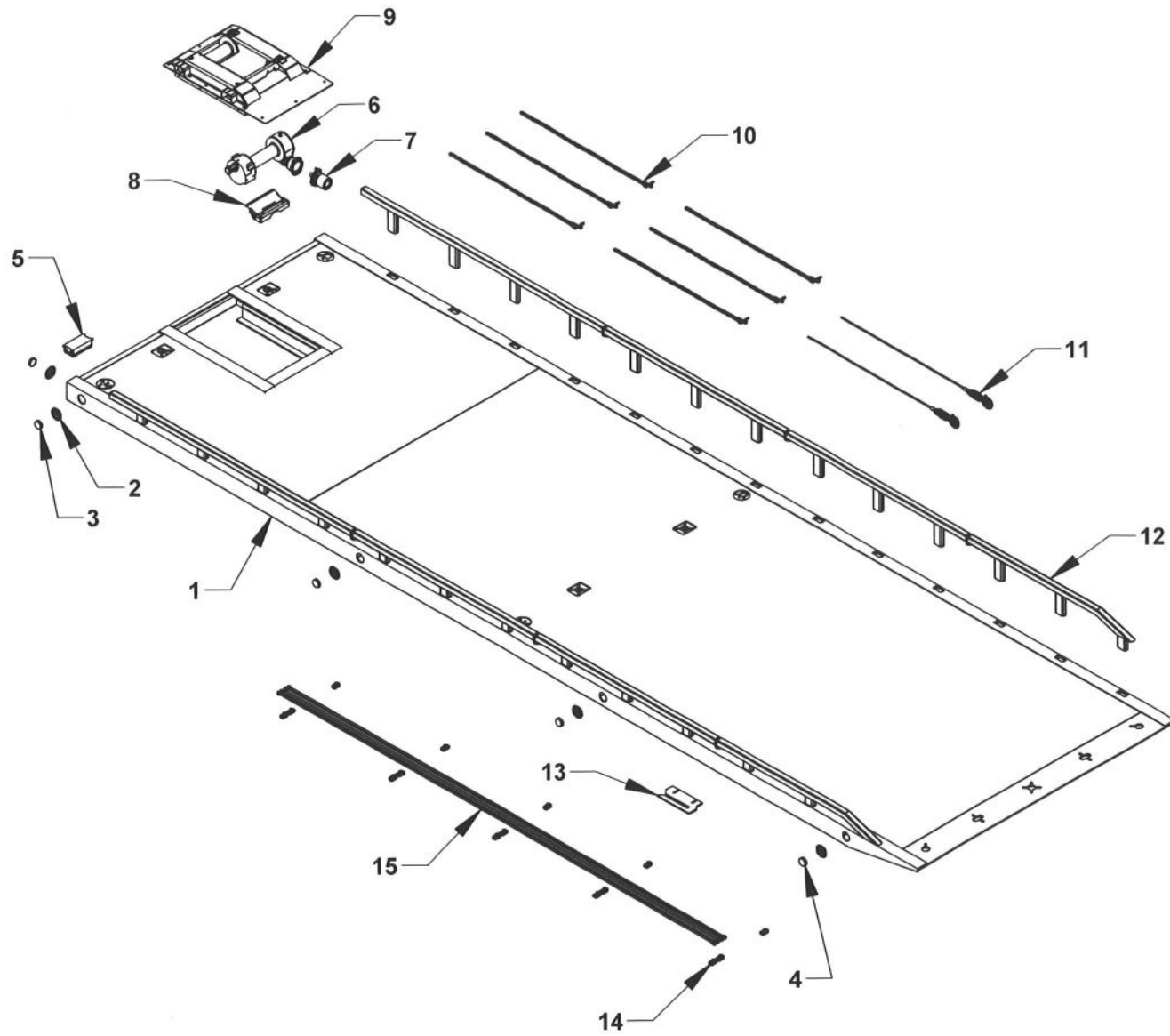
When ordering replacement or spare parts be sure to provide the following information to your carrier manufacturer authorized representative.

1. **Manual Number & Date of Publication**
2. **Manual Page Number**
3. **Page Title**
4. **Reference Number of Part Desired**
5. **Part Number**
6. **Part Description**
7. **Quantity of Part Desired**

Providing this information will help ensure that the correct parts will be delivered to you in an expedient manner without delay. Should additional information be required for repair or replacement of certain components, contact **Miller Ind., Hermitage, PA, Phone: 724-981-3328.**

The Manufacturer reserves the right, without notice or obligation, to improve or modify their products, which may change the specifications, models and feature availability.

Section V - PARTS
STEEL BED ASSEMBLY - SERIES 20 GEN2 4-CAR



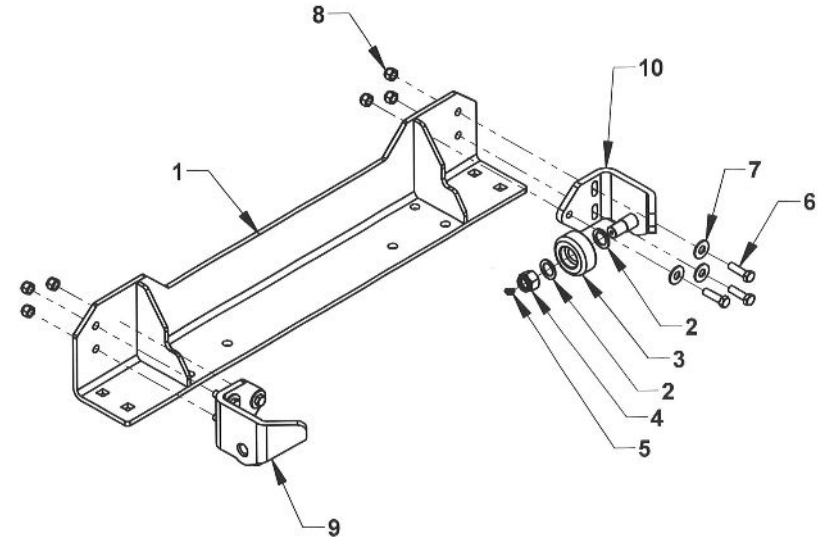
Section V - PARTS

**STEEL BED ASSEMBLY GEN 2
SERIES 20 GEN2 4-CAR**

REF. NO.	QTY	PART NUMBER	DESCRIPTION
1	1	302820C42XXX	SERIES 20 G2 4-CAR STEEL BED WELDMENT XXX = 280, 290, 300
2	10	0311516	2-1/2" MARKER LIGHT GROMMET
3	8	0311513	2-1/2" AMBER MARKER LIGHT
4	2	0311512	2-1/2" RED MARKER LIGHT
5	1	0303385	10 POST JUNCTION BOX
6	2	71104A	RAMSEY 4 TON WORM GEAR WINCH - AIR SHIFT
7	2	0320147	WINCH MOTOR 5 CUBIC INCH
8	2	A902210	RAMSEY SPRING TENSIONER
9	1	31040	RAMSEY 4-CAR WINCH FRAME
10	6	0302493	FRONT SAFETY CHAIN ASSEMBLY - 5/16 x 8'
11	2	0301339	WINCH CABLE ASSEMBLY
12	1	09009171-XXX	REMOVABLE TUBE RAIL FRONT (SEE CHART)
13	1	33813	ANTI-TILT PLATE
14	15	0751188	FLUID TUBE MOUNTING BLOCK-LOWER
15	1	363S2-XXX	SERIES 20/30/40 UNDER BODY FLUID TUBE XXX = 280-41, 290-41, 300-41

Section V - PARTS

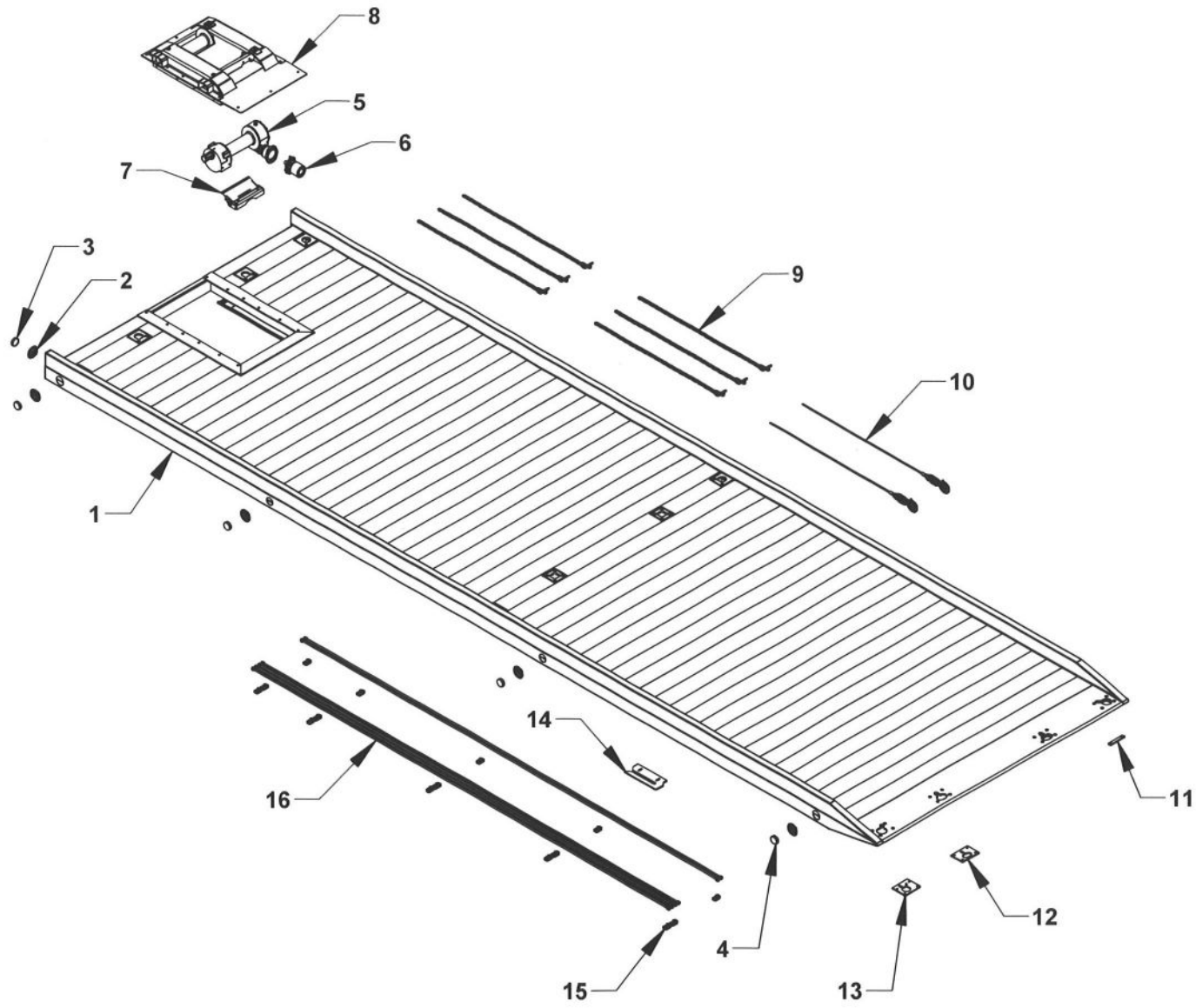
**BODY LOCK - 0940348
4-CAR**



REF.	QTY	PART #	DESCRIPTION
1	1	0809928	SERIES 10/20/30 G2 ROLLER BED LOCK
2	4	0400470	FLAT WASHER 1 IN.
3	2	36310	ROLLER WHEEL
4	2	04001225	NYLON LOCK NUT 7/8-14 UNF
5	2	0306382	GREASE FITTING 1/4-28
6	6	0400211	BOLT, HHCS 1/2-13 UNC x 1-3/4
7	6	0400492	FLAT WASHER 1/2 IN.
8	6	0400408	NYLON LOC NUT 1/2-13 UNC
9	1	36315L	BODY LOCK HOLD-DOWN-LEFT
10	1	36315R	BODY LOCK HOLD-DOWN-RIGHT

Section V - PARTS

ALUMINUM BED ASSEMBLY - SERIES 20 GEN2 4-CAR



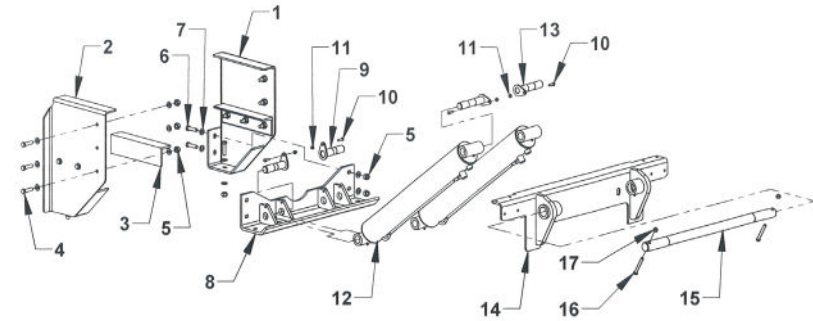
Section V - PARTS

ALUMINUM BED ASSEMBLY GEN 2 SERIES 20 GEN2 4-CAR

REF NO	QTY	PART NUMBER	DESCRIPTION
1	1	301820C42XXX	SERIES 20 G2 4-CAR ALUM BED WELDMENT XXX = 280, 290, 300
2	10	0311516	2-1/2" MARKER LIGHT GROMMET
3	8	0311513	2-1/2" AMBER MARKER LIGHT
4	2	0311512	2-1/2" RED MARKER LIGHT
5	2	71104A	RAMSEY 4 TON WORM GEAR WINCH - AIR SHIFT
6	2	0320147	WINCH MOTOR 5 CUBIC INCH
7	2	A902210	RAMSEY SPRING TENSIONER
8	1	31040	RAMSEY 4-CAR WINCH FRAME
9	6	0302493	FRONT SAFETY CHAIN ASSEMBLY - 5/16 x 8'
10	2	0301669	WINCH CABLE ASSEMBLY
11	2	07004889	APPROACH SKID PLATE
12	2	34521	ALUM APPROACH PLATE CHAIN LOCK
13	2	07007442	ALUM APPROACH PLATE CHAIN LOCK - 2 WAY
14	1	07011094	SERIES 20 GEN2 4-CAR ANTI-TLT PLATE
15	15	0751188	FLUID TUBE MOUNTING BLOCK-LOWER
16	6	38 3S2-XXX	SERIES 20/30/40 UNDER BODY FLUID TUBE XXX = 280-42, 290-42, 300-42

Section V - PARTS

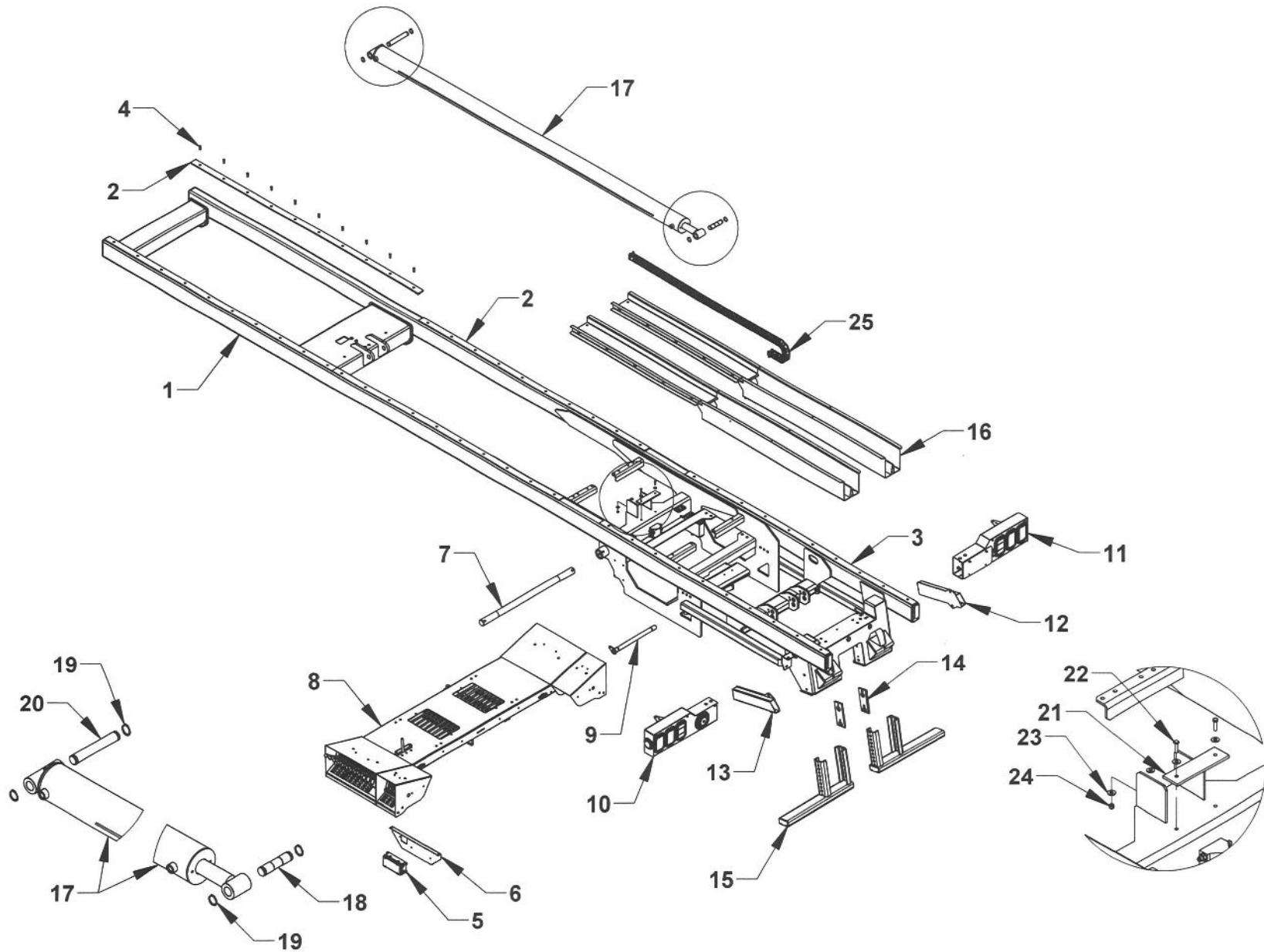
GEN 2 SERIES 20 4-CAR OUTBOARD SADDLES INBOARD TILT CYLINDERS



REF	PART #	QTY	DESCRIPTION
1	1A510R	1	TILT CYLINDER SADDLE - 24 IN. - RIGHT
2	1A510L	1	TILT CYLINDER SADDLE - 24 IN. - LEFT
3	1A514	2	UNDERFRAME SUPPORT ANGLE
4	0400274	10	BOLT HHCS 5/8-11 UNC x 2 GR8
5	0400426	16	NUT NYLOK 5/8-11 UNC
6	0400254	6	BOLT HHCS 5/8-11 UNC x 2-1/2 GR5
7	0400505	26	WASHER 5/8
8	1A550	1	SADDLE CONNECTING ANGLE
9	1A555	2	PIN - TILT CYLINDER 1.480 x 5.750
10	0400148	4	BOLT HHCS 3/8-16 UNC x 1-1/2 GR 5
11	0400392	4	NUT NYLOK 3/8-16 UNC
12	72A450305	2	CYLINDER - CARRIER TILT 4.500 x 30.563
13	0809477	2	PIN - TILT CYLINDER 1.480 x 7.000
14	0811084	1	GEN2 HINGE ANGLE
15	07009240	1	HINGE PIN - 1.975 x 38.938
16	0400237	2	BOLT HHCS 1/2-13 UNC x 4 GR5
17	0400408	2	NUT NYLOK 1/2-13 UNC

Section V - PARTS

SERIES 20 4-CAR GEN2 SUBFRAME COMPONENTS - 28 FT.



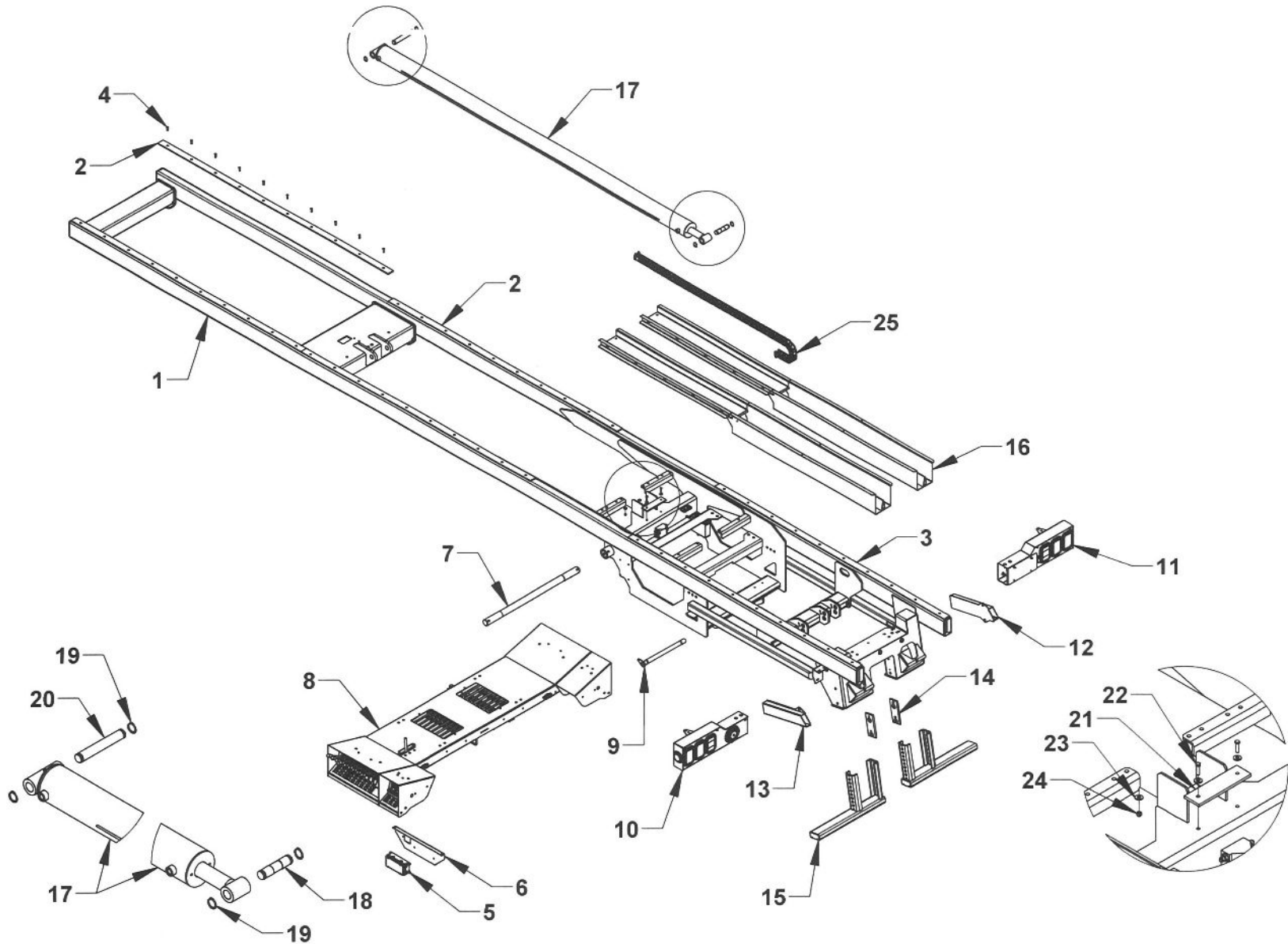
Section V - PARTS

SERIES 20 4-CAR GEN2 SUBFRAME COMPONENTS - 28 FT.

REF NO.	NO REQ'D	PART NUMBER	DESCRIPTION
1	1	0811181-28	SERIES 20 G2 4-CAR SUBFRAME
2	4	0308927-96	SUBFRAME BEARING PAD 5/16 x 2-1/4 x 96
3	2	0308927-96N	SUBFRAME BEARING PAD NYLATRON 5/16 x 2-1/4 x 96
4	60	04000321	BOLT 5/16 -18 x 1-1/4 COUNTERSUNK TORX ST
5	1	0303385	10 POST JUNCTION BOX
6	1	07008981	JUNCTION BOX MOUNTING ANGLE
7	1	07009240	S20 LCG HINGE PIN
8	1	183129	9-SPOOL CAPABLE CONTROL STATION
9	1	0809411U	WHEEL-LIFT BOOM HINGE PIN 1.230
10	1	0940327L	CHEVRON TAIL LIGHT HOUSING GROUP - LEFT
11	1	0940327R	CHEVRON TAIL LIGHT HOUSING GROUP - RIGHT
12	1	0809287R	L-ARM STORAGE TUBE - 4K RIGHT (STD) SLIDE-IN ARM
		160540R	L-ARM STORAGE TUBE - 4K RIGHT (OPTIONAL) - SCOOP
		160535R	L-ARM STORAGE TUBE - 4K RIGHT (OPTIONAL) - DROP-IN
13	1	0809287L	L-ARM STORAGE TUBE - 4K LEFT (STD) SLIDE-IN ARM
		160540L	L-ARM STORAGE TUBE - 4K LEFT (OPTIONAL) - SCOOP
		160535L	L-ARM STORAGE TUBE - 4K LEFT (OPTIONAL) - DROP-IN
14	2	0750409	STABILIZER WHEEL LIFT GUIDE PAD
15	2	0809188	STABILIZER EXTENSION STAND
16	1	0809908	DUAL BAY HOSE TRAY
17	1	72B35120	SLIDEBACK CYLINDER 4.5 BORE x 120 STROKE
18	1	32117	SLIDEBACK CYLINDER MOUNTING PIN 1.230
19	4	86125E	1-1/4 SNAP RING - EXTERNAL
20	1	13302010	SLIDEBACK CYLINDER MOUNTING PIN
21	1	07007627	CNV 20/30 G2 S/B CYLINDER SUPPORT PAD
22	2	0400103	BOLT 5/16 x 1-1/4 UNX HHCS
23	4	0400465	5/16 FLAT WASHER
24	2	0400382	NYLON LOCK NUT 5/16-18 UNC
25	1	09006108	IGUS TRACK AND BOLT KIT

Section V - PARTS

SERIES 20 4-CAR GEN2 SUBFRAME COMPONENTS - 30 FT.

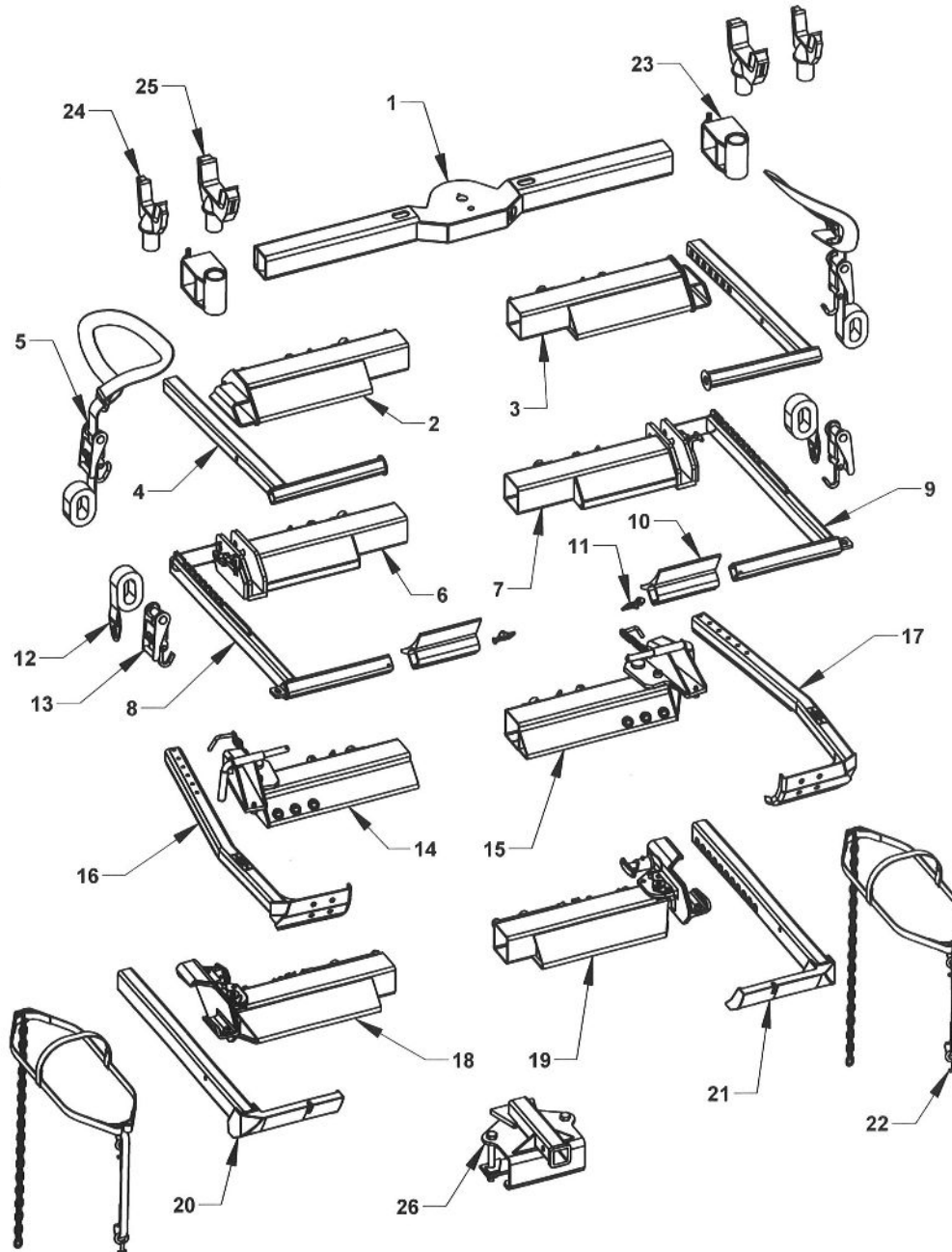


Section V - PARTS

SERIES 20 4-CAR GEN2 SUBFRAME COMPONENTS - 30 FT.

REF NO.	NO REQ'D	PART NUMBER	DESCRIPTION
1	1	0811181-30	SERIES 20 G2 4-CAR SUBFRAME
2	4	0308927-96	SUBFRAME BEARING PAD 5/16 x 2-1/4 x 96
3	2	0308927-96N	SUBFRAME BEARING PAD NYLATRON 5/16 x 2-1/4 x 96
4	60	04000321	BOLT 5/16 -18 x 1-1/4 COUNTERSUNK TORX ST
5	1	0303385	10 POST JUNCTION BOX
6	1	07008981	JUNCTION BOX MOUNTING ANGLE
7	1	07009240	S20 LCG HINGE PIN
8	1	183129	9-SPOOL CAPABLE CONTROL STATION
9	1	0809411U	WHEEL-LIFT BOOM HINGE PIN 1.230
10	1	0940327L	CHEVRON TAIL LIGHT HOUSING GROUP - LEFT
11	1	0940327R	CHEVRON TAIL LIGHT HOUSING GROUP - RIGHT
12	1	0809287R	L-ARM STORAGE TUBE - 4K RIGHT (STD) SLIDE-IN ARM
		160540R	L-ARM STORAGE TUBE - 4K RIGHT (OPTIONAL) - SCOOP
		160535R	L-ARM STORAGE TUBE - 4K RIGHT (OPTIONAL) - DROP-IN
13	1	0809287L	L-ARM STORAGE TUBE - 4K LEFT (STD) SLIDE-IN ARM
		160540L	L-ARM STORAGE TUBE - 4K LEFT (OPTIONAL) - SCOOP
		160535L	L-ARM STORAGE TUBE - 4K LEFT (OPTIONAL) - DROP-IN
14	2	0750409	STABILIZER WHEEL LIFT GUIDE PAD
15	2	0809188	STABILIZER EXTENSION STAND
16	1	0809908	DUAL BAY HOSE TRAY
17	1	72B35120	SLIDEBACK CYLINDER 4.5 BORE x 120 STROKE
18	1	32117	SLIDEBACK CYLINDER MOUNTING PIN 1.230
19	4	86125E	1-1/4 SNAP RING - EXTERNAL
20	1	13302010	SLIDEBACK CYLINDER MOUNTING PIN
21	1	07007627	CNV 20/30 G2 S/B CYLINDER SUPPORT PAD
22	2	0400103	BOLT 5/16 x 1-1/4 UNX HHCS
23	4	0400465	5/16 FLAT WASHER
24	2	0400382	NYLON LOCK NUT 5/16-18 UNC
25	1	09006108	IGUS TRACK AND BOLT KIT

Section V - PARTS
WHEEL-LIFT CROSSBAR ATTACHMENTS - 28 FT.

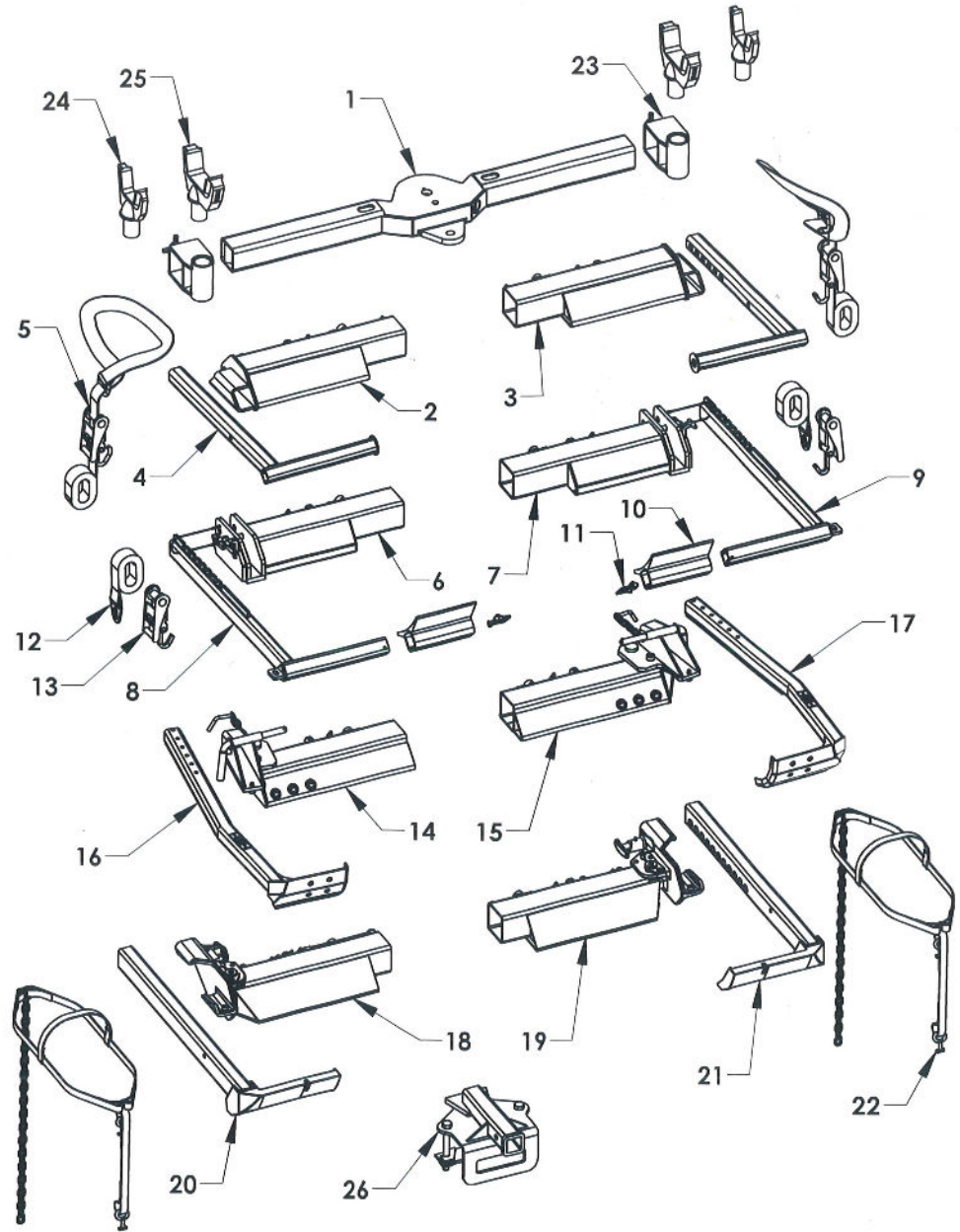


Section V - PARTS

WHEEL LIFT CROSSBAR ATTACHMENTS - 28 FT.

REF NO.	NO REQ'D	PART NUMBER	DESCRIPTION
1	1	0811161	CROSSBAR 4K NO TOWBALL (3.5 x 3.5)
2	1	0809283L	4-INCH WHEEL GRID - LH
3	1	0809284R	4-INCH WHEEL GRID - RH
4	2	08006748	STEEL L-ARM 4000 LB
5	2	0308664	STRAP AND RATCHET PIVOT ASSEMBLY
6	1	0940434L	WHEEL GRID (DROP-IN L-ARM) - LEFT
7	1	0940434R	WHEEL GRID (DROP-IN L-ARM) - RIGHT
8	1	65250L	4000 LB L-ARM - LEFT
9	1	65250R	4000 LB L-ARM - RIGHT
10	2	65245	REMOVABLE PAN (CHEVRON)
11	2	84911	SAFETY PIN, 5/16 (CHEVRON)
12	2	65285	WHEEL STRAP WITH D-RING
13	2	65280A	RATCHET AND HOOK
14	1	8800800	LH WHEEL GRID
15	1	8800900	RH WHEEL GRID
16	1	8700190	LH WHEEL RETAINER
17	1	8700180	RH WHEEL RETAINER
18	1	0909499L	WHEEL GRID 3WP - LEFT
19	1	0909499R	WHEEL GRID 3WP - RIGHT
20	1	0803648	3-WAY PIVOT L-ARM - LEFT
21	1	0803649	3-WAY PIVOT L-ARM - RIGHT
22	2	0902382	1 INCH NYLON POLY COAT BASKET STRAP
	2	65287	BASKET TIRE STRAP - MEDIUM-LARGE, BLUE
23	2	65460	3-1/2 INCH FORK HOLDER
24	2	663530	FRAME FORK, 3 INCH CAST
25	2	663545	FRAME FORK SHORT, 4-1/2 INCH CAST
26	1	0940452	REESE HITCH RECEIVER, NO TOWBALL GEN2

Section V - PARTS
WHEEL-LIFT CROSSBAR ATTACHMENTS - 30 FT.



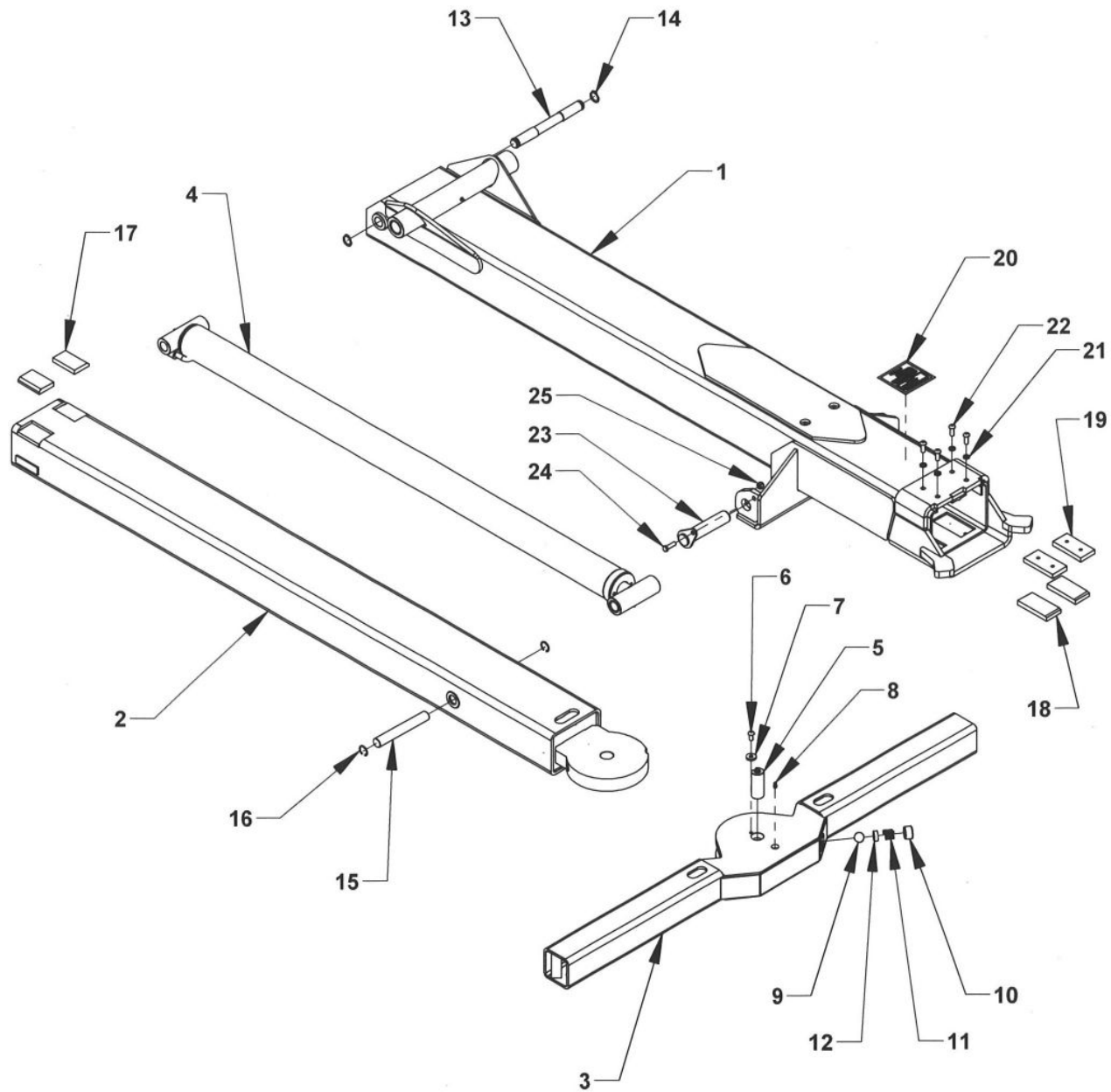
Section V - PARTS

WHEEL LIFT CROSSBAR ATTACHMENTS - 30 FT.

REF NO.	NO REQ'D	PART NUMBER	DESCRIPTION
1	1	0811160	CROSSBAR 4K (3.5 x 3.5)
2	1	0809283L	4-INCH WHEEL GRID - LH
3	1	0809284R	4-INCH WHEEL GRID - RH
4	2	08006748	STEEL L-ARM 4000 LB
5	2	0308664	STRAP AND RATCHET PIVOT ASSEMBLY
6	1	0940434L	WHEEL GRID (DROP-IN L-ARM) - LEFT
7	1	0940434R	WHEEL GRID (DROP-IN L-ARM) - RIGHT
8	1	65250L	4000 LB L-ARM - LEFT
9	1	65250R	4000 LB L-ARM - RIGHT
10	2	65245	REMOVABLE PAN (CHEVRON)
11	2	84911	SAFETY PIN, 5/16 (CHEVRON)
12	2	65285	WHEEL STRAP WITH D-RING
13	2	65280A	RATCHET AND HOOK
14	1	8800800	LH WHEEL GRID
15	1	8800900	RH WHEEL GRID
16	1	8700190	LH WHEEL RETAINER
17	1	8700180	RH WHEEL RETAINER
18	1	0909499L	WHEEL GRID 3WP - LEFT
19	1	0909499R	WHEEL GRID 3WP - RIGHT
20	1	0803648	3-WAY PIVOT L-ARM - LEFT
21	1	0803649	3-WAY PIVOT L-ARM - RIGHT
22	2	0902382	1 INCH NYLON POLY COAT BASKET STRAP
	2	65287	BASKET TIRE STRAP - MEDIUM-LARGE, BLUE
23	2	65460	3-1/2 INCH FORK HOLDER
24	2	663530	FRAME FORK, 3 INCH CAST
25	2	663545	FRAME FORK SHORT, 4-1/2 INCH CAST
26	1	0940458	REESE HITCH RECEIVER, COMMON GEN2

Section V - PARTS

4,000 LB.WHEEL LIFT - 0940451 - 28



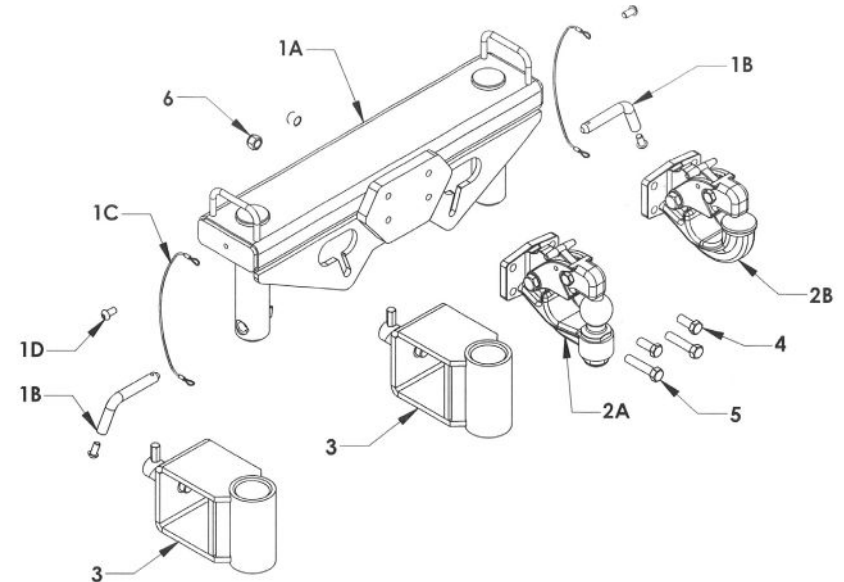
Section V - PARTS

4000 LB. WHEEL LIFT - 0940451-28

REF	PART #	QTY	DESCRIPTION
1	10270408	1	UNDERLIFT OUTER BOOM TUBE - 4K
2	0811159	1	UNDERLIFT INNER BOOM TUBE - 4 K
3	0811161	1	CROSSBAR 4K NO TOWBALL (3.5 x 3.5)
4	72A30054	1	UNDERLIFT EXTEND CYLINDER 3 x 54
5	0940433	1	CROSSBAR PIVOT PIN
6	0403004	1	CAP SCREW BUTTON HD 3/8-16 x 3/4
7	0720463	1	WASHER
8	0300113	1	GREASE FITTING 1/4-28
9	0308129	1	DETENT BALL
10	0308130	1	DETENT PLUG
11	1308131	1	DETENT SPRING
12	07003396	1	SPACER, CROSSBAR DETENT
13	729352	1	EXTEND CYLINDER MOUNTING PIN-BASE
14	86100E	2	SNAP-RING 1.00 EXTERNAL HD
15	72940	1	EXTEND CYLINDER MOUNTING PIN-ROD
16	86100I	2	SNAP-RING 1.00 INTERNAL
17	65613	2	WEAR PAD 1/2 x 2 x 3
18	63595	2	WEAR PAD 1/2 x 2 x 4
19	63595H	2	SPACER PAD 1/2 x 2 x 4
20	0540041	1	UNDERLIFT RATING PLATE 4K
21	0400482	4	3/8 LOCK WASHER
22	0403139	4	CAP SCREW BUTTON HEAD 3/8-16 x 1
23	14710	2	KEEPER PIN 1.230 x 5.50
24	0403154	2	HHCS 3/8-16 x 2-1/2
25	0400392	2	NYLON LOCK NUT 3/8-16

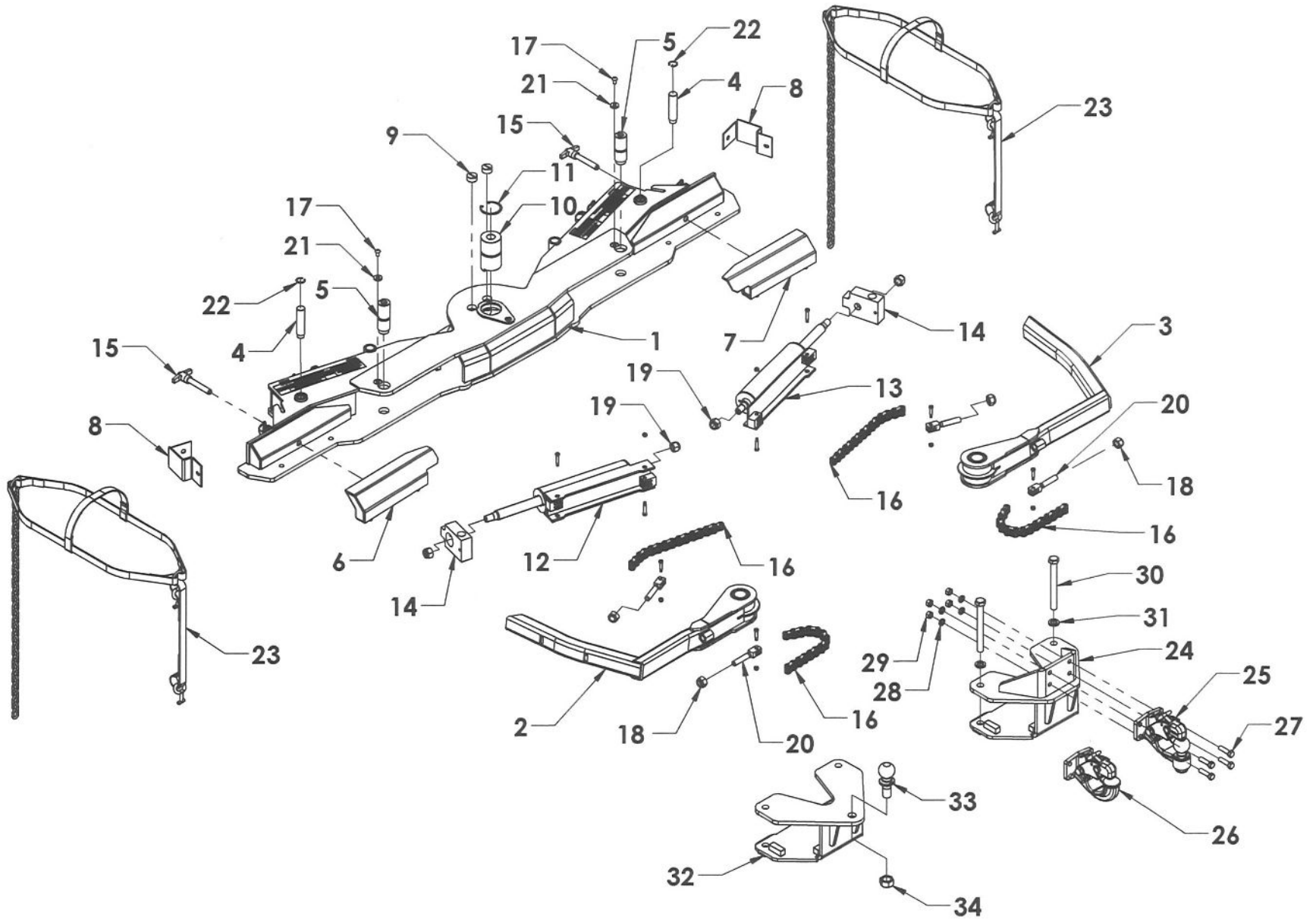
Section V - PARTS

PINTLE ATTACHMENT GROUP



REF	PART #	DESCRIPTION	QPU
1A	66370	PINTLE ATTACHMENT	1
1B	66378	RETAINING PIN	2
1C	65292	LANYARD	2
1D	0403004	BOLT BHCS 3/8-16 x 3/4	4
2A	174017159	TOW BALL PINTLE HITCH	1
2B	174017156	PINTLE HOOK	1
3	66280	FORK HOLDER - 4 IN. CROSSBAR	2
	65460	FORK HOLDER - 3-1/2 IN. CROSSBAR	2
4	04000005	BOLT 1/2-13 X 1.25 GRADE 8 SECURE WITH LOCTITE	2
5	0403056	BOLT 1/2-13 X 2-1/2 GRADE 8	2
6	0400408	NUT, NYLOK 1/2-13	2

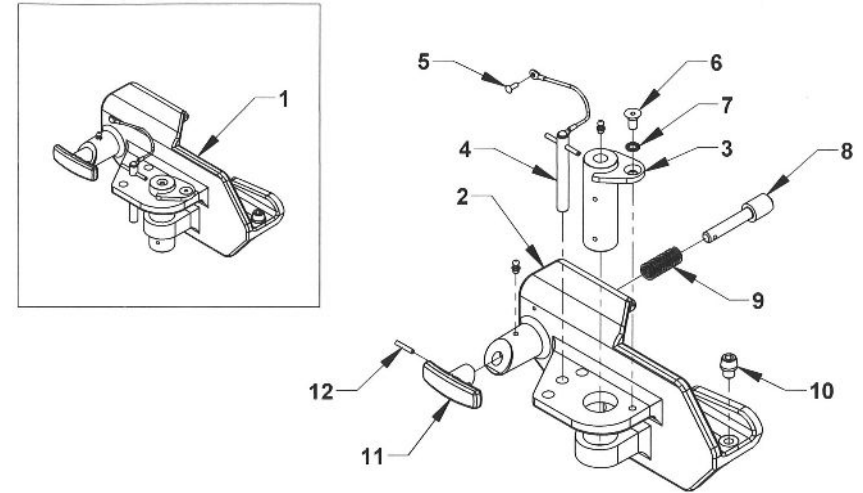
Section V - PARTS
AUTOGRIP II COMPONENTS



Section V - PARTS
AUTOGRIP II COMPONENTS

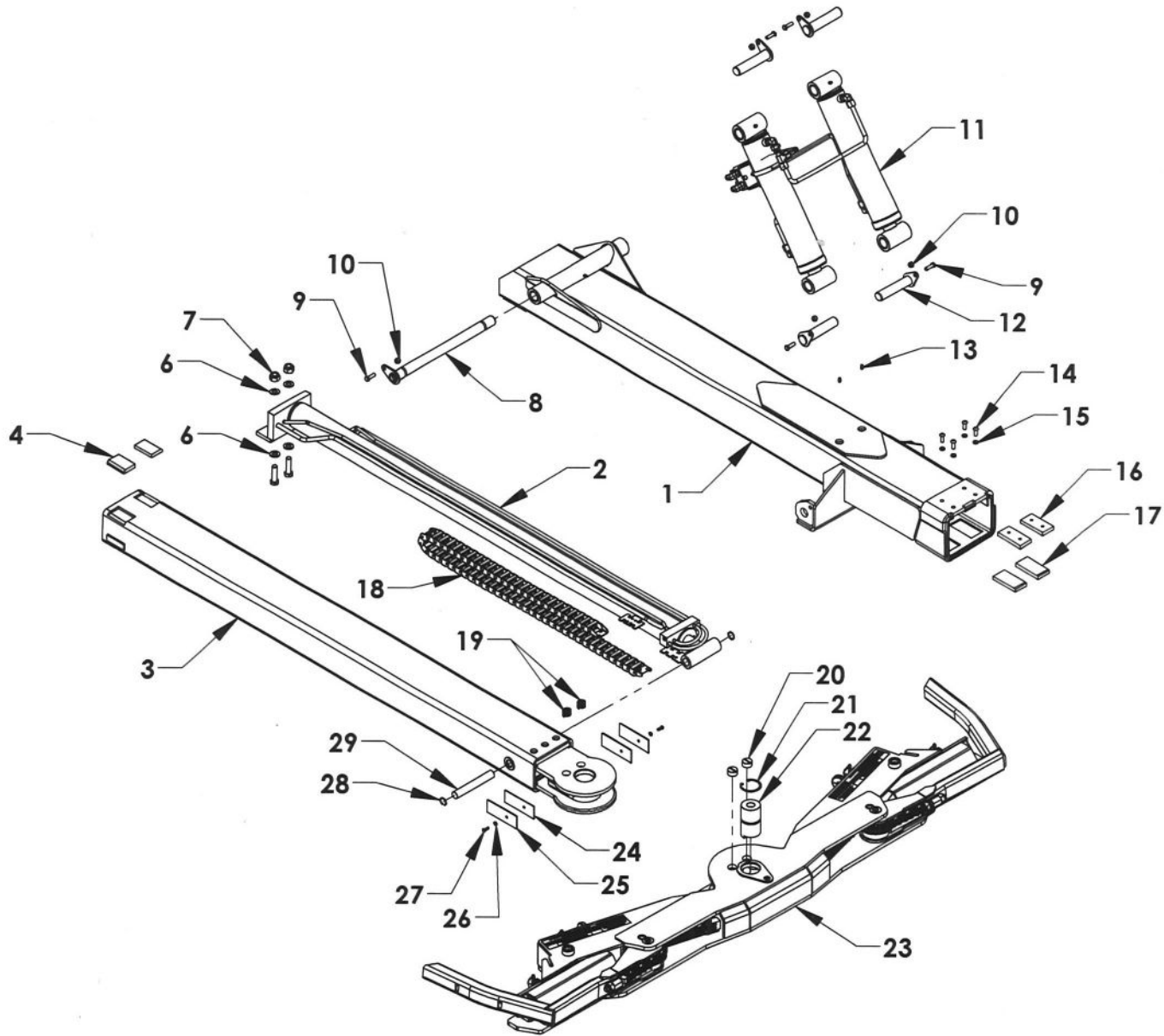
REF NO.	NO REQ'D	PART NUMBER	DESCRIPTION
1	1	644002	CROSSBAR WELDMENT
2	1	644352L	WHEEL RETAINER - LEFT
3	1	644352R	WHEEL RETAINER - RIGHT
4	2	644432	WHEEL RETAINER CYLINDER PIN
5	2	644452	ARM PIVOT PIN
6	1	697402L	WHEEL SPACER - LEFT
7	1	697402R	WHEEL SPACER - RIGHT
8	2	644292	HOSE GUARD
9	2	64327	SCREW-PLUG CROSSBAR DETENT
10	1	644402	CROSSBAR PIN
11	1	862501	SNAP RING 2.500 INCH INTERNAL
12	2	720152L	WHEEL RETAINER CYLINDER - LEFT
13	2	720152R	WHEEL RETAINER CYLINDER - RIGHT
14	2	727162	L-ARM CYLINDER END BLOCK
15	2	84921	T-PIN 5/8 x 3
16	4	87440	AUTOGRIP ARM CHAIN
	4	0403163	5/16 x 1-1/4 SHOULDER SHCS 1/4-20 UNC
	4	0400367	1/4-20 UNC NYLON LOCK NUT
17	2	0403161	3/8-16 x 5/8 ALLEN BOLT
18	4	0400421	5/8-11 NYLON LOCK NUT
19	2	0400430	3/4-10 NYLON LOCK NUT
20	4	64441	CHAIN CLEVIS
	4	0403164	5/16 x 1 SHOULDER SHCS 1/4-20 UNC
	4	0400367	1/4-20 UNC NYLON LOCK NUT
21	2	0400480	5/16 FLAT WASHER
22	2	861001	SNAP-RING 1.000 INCH INTERNAL
23	2	0902382	1 INCH NYLON POLY COAT BASKET STRAP
	2	65287	BASKET TIRE STRAP - TRUCK (OPTIONAL)
24	1	694520	AUTOGRIP PINTLE ADAPTOR (OPTIONAL)
25	1	174017159	PINTLE BALL ATTACHMENT (OPTIONAL)
26	1	174017156	PINTLE HOOK ATTACHMENT (OPTIONAL)
27	4	0403058	BOLT, HHCS 1/2-13 UNC x 1-3/4
28	4	0400491	LOCK WASHER, 1/2
29	4	0400407	HEX NUT 1/2-13 UNC
30	2	0403097	BOLT, HHCS 3/4-10 UNC x 6-1/2
31	2	0403082	LOCK WASHER 3/4
32	1	694510	AUTOGRIP TOWBALL ADAPTOR (OPTIONAL)
33	1		TOWBALL
34	1	83711	NUT 1.000" RAMCO LOCK

Section V - PARTS
PIVOT L-ARM RECEIVER GROUP



REF. NO.	NO. REQ'D	PART NUMBER	DESCRIPTION
1	1	09007328L	PIVOT L-ARM RECEIVER GROUP-LEFT
		09007328R	PIVOT L-ARM RECEIVER GROUP-RIGHT
2	1	0719079	PIVOT L-ARM RECEIVER CASTING-LEFT
		0719080	PIVOT L-ARM RECEIVER CASTING-RIGHT
3	1	0802187	L-ARM RECEIVER CASTING PIVOT PIN
4	1	0904744	PIN ASSEMBLY
	1	0714415	PIVOT LOCK PIN
	1	0303918	LANYARD
	1	0400044	DRIVE SCREW #10-24 x 1/2 ROUND HEAD
5	1	0400044	DRIVE SCREW #10-24 x 1/2 ROUND HEAD
6	1	0400349	SCREW 3/8-16 x 1/2 FHSC
7	1	0400481	LOCK WASHER 3/8 EXTERNAL TOOTH
8	1	0707505	7/8 CAM PIN
9	1	0302641	CAM PIN SPRING
10	1	0712933	SCREW 1/2-13 x 1/2 TAPERED SOCKET CAP
11	1	0302648	T-HANDLE
12	1	0400559	ROLL PIN 3/16 -1

Section V - PARTS
AUTOGRIP II WHEEL LIFT

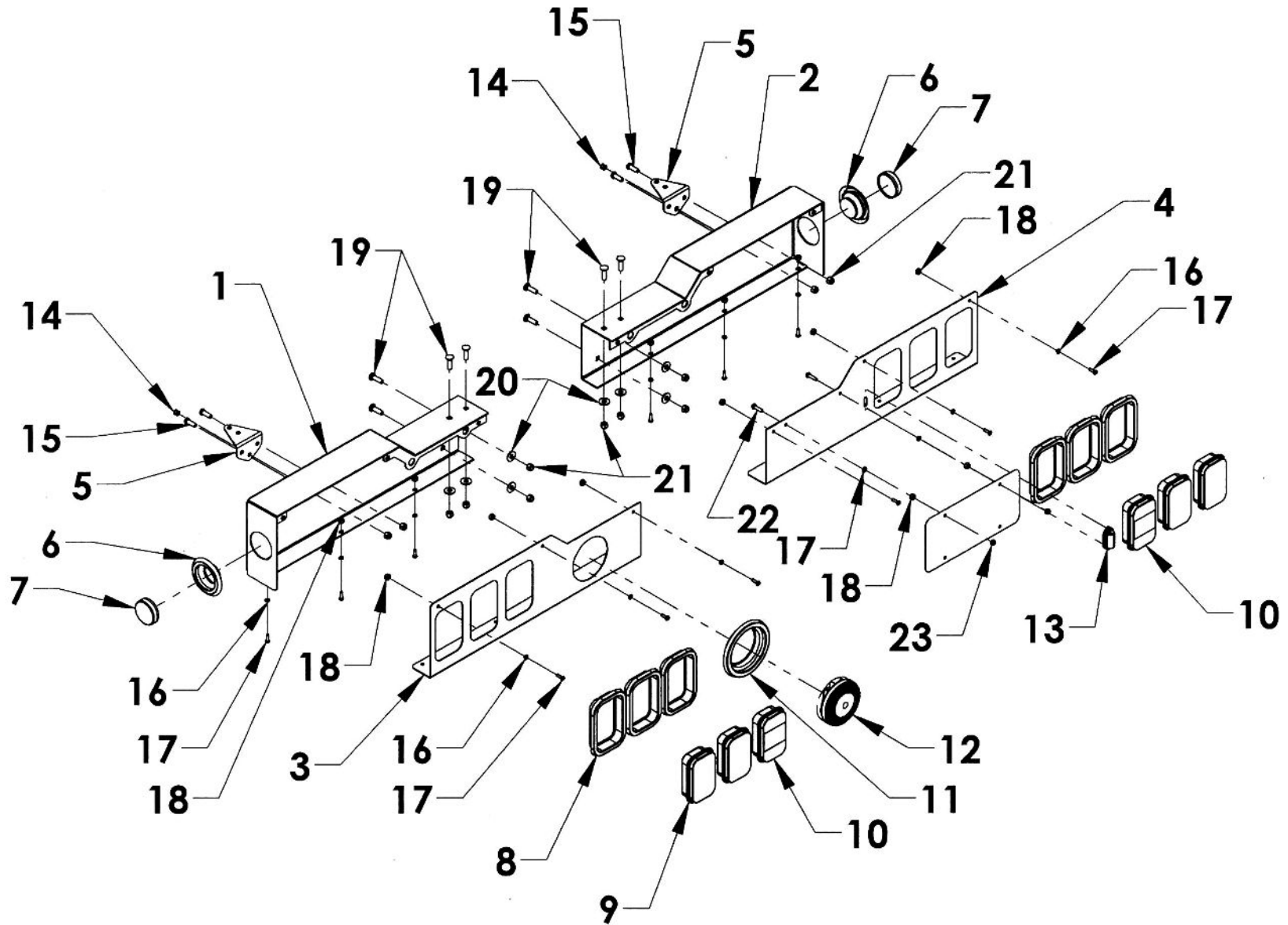


Section V - PARTS

AUTOGRIP WHEEL LIFT

REF NO.	NO REQ'D	PART NUMBER	DESCRIPTION
1	1	10270410	AUTOGRIP OUTER BOOM TUBE - GEN2 LCG 4K
2	1	72136	AUTOGRIP EXTEND CYLINDER - CARRIER
3	1	102522	AUTOGRIP INNER TUBE GEN2
4	2	65612	WEAR PAD 1/2 x 2 x 3 NSM BEVELED
5	2	0403141	BOLT HHCS 5/8-11 UNC x 2-1/4
6	4	0400505	FLAT WASHER 5/8
7	2	0400426	NYLON LOCK NUT 5/8-11 UNC
8	1	0809411U	WHEEL LIFT BOOM HINGE PIN
9	5	0400122	BOLT, HHCS 3/8-16 UNC x 1-1/4
10	5	0400392	NYLON LOCK NUT 3/8-16 UNC
11	2	72A33013	LIFT CYLINDER 3.25 x 1.75 x 13.00
12	4	14710	KEEPER PIN 1.23 x 5.50
13	2	0300113	GREASE FITTING 1/4-28 UNF
14	4	0403139	BOLT, BHCS 3/8-16 UNC x 1
15	4	0400482	LOCK WASHER 3/8"
16	2	63595H	WEAR PAD NYLATRON NSM 1/2 x 2 x 4 WITH HOLES
17	2	63595	WEAR PAD NYLATRON NSM 1/2 x 2 x 4
18	1	69757	AUTOGRIP HOSE TRACK 58 LINKS
19	2	69320	AUTOGRIP DETENT SPRING GEN2
20	2	643272	AUTOGRIP DETENT SCREW GEN2
21	1	86250I	SNAP RING 2-1/2" INTERNAL
22	1	644402	AUTOGRIP CROSSBAR PIVOT PIN GEN2
23	1	644002CG	AUTOGRIP CROSSBAR GEN2
24	2	64304R	RUBBER GASKET FOR 64304C
25	2	64304C	HOSE CLAMP FOR SIDE OF AUTOGRIP II YOKE
26	2	0400452	LOCK WASHER 1/4"
27	2	0403142	BOLT, BUTTON HEAD 1/4-20 x 3/4
28	2	86100I	SNAP RING 1" INTERNAL
29	1	72940	CYLINDER PIN 0.980 x 6-5/8

Section V - PARTS
TAIL LIGHT COMPONENTS



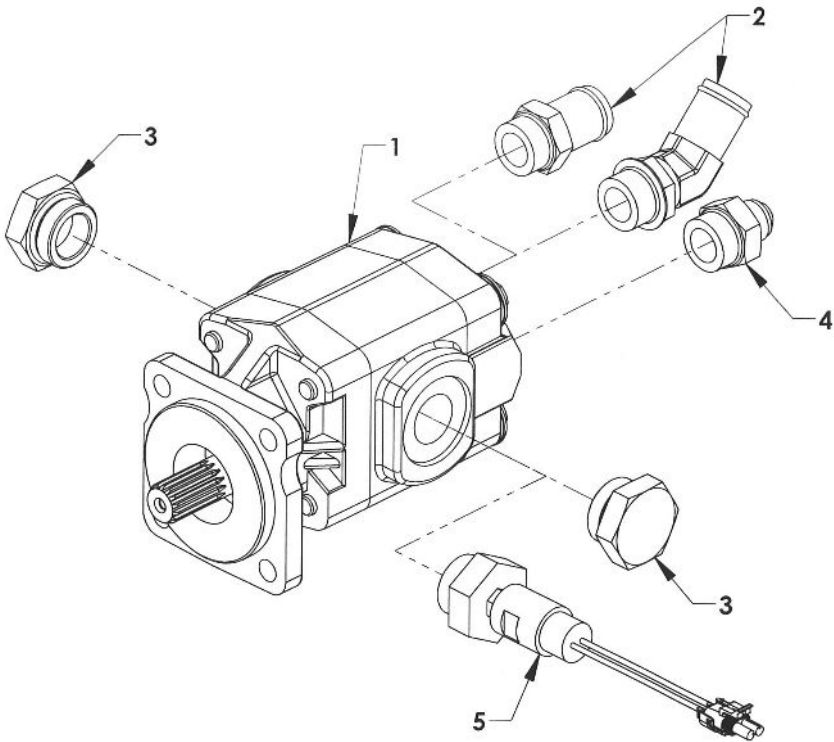
Section V - PARTS

TAIL LIGHT COMPONENTS

REF. NO.	NO. REQ'D	PART NUMBER	DESCRIPTION
1	1	0809517L	TAIL LIGHT HOUSING WELDMENT - LEFT
2	1	0809517R	TAIL LIGHT HOUSING WELDMENT - RIGHT
3	1	196152L	12/16/20 LCG TAIL LIGHT BEZEL - LEFT G2
4	1	196152R	12/16/20 LCG TAIL LIGHT BEZEL - RIGHT G2
5	2	0750672	WORK LIGHT MOUNTING BRACKET
6	2	0311516	2-1/2 IN. MARKER LIGHT GROMMET
7	2	0311512	2-1/2 IN. RED MARKER LIGHT
8	6	0311511	CARRIER TAIL LIGHT GROMMET
9	4	0311507	RECTANGULAR RED LIGHT
10	2	0311510	CARRIER BACK UP LIGHT
11	1	0311528	BACK UP ALARM GROMMET
12	1	0306385	BACK UP ALARM
13	1	0311525	LICENSE PLATE LIGHT
14	2	0306050	TAIL LIGHT WIRE GROMMET
15	4	0400126	BOLT, HHCS 3/8-16 UNC x 1
16	14	0400452	LOCK WASHER - 1/4
17	12	0400071	BOLT, RHMS 1/4-20 UNC x 3/4
18	14	0400366	HEX NUT 1/4-20 UNC
19	8	0400156	BOLT, CARRIAGE 3/8-16 UNC x 1-1/4 SS
20	8	0400480	FLAT WASHER - 3/8
21	12	0400392	NYLON LOCK NUT 3/8-16 UNC
22	2	0403043	BOLT, HHCS 1/4-20 UNC x 1
23	2	0400367	NYLON LOCK NUT 1/4-20 UNC

Section V - PARTS

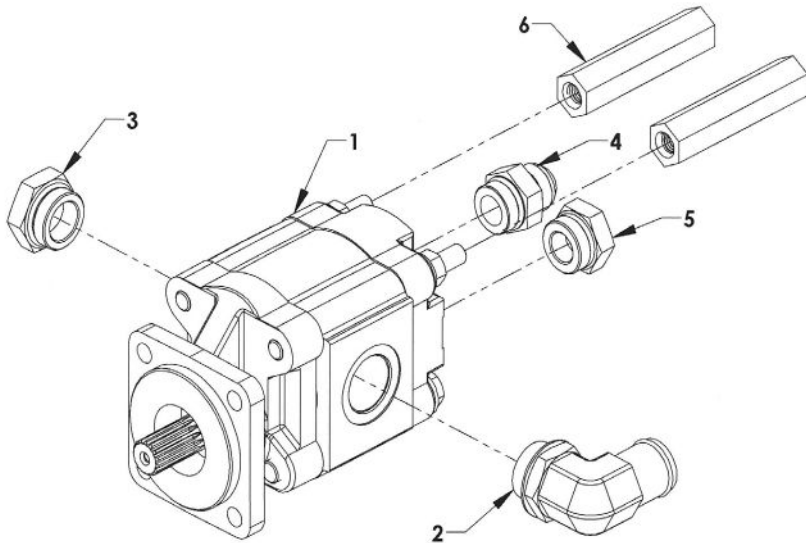
DIRECT MOUNT PUMP - 17 GPM



REF	PART #	DESCRIPTION	QPU
1	0320144	17 GPM , 1 IN.15 SPLINE SHAFT, SAE 4-BOLT FLANGE	1
2	03006339	#16-45 M O-RING x 1-1/4 M NIPPLE	1
	77C82	#16 M O-RING x 1-1/4 NIPPLE	1
3	77620	1-1/4 O-RING PLUG 900598-20	2
4	0301368	#16 M O-RING X 3/4 MJIC	1
5	090943	PRESSURE TRANSDUCER (OPTIONAL)	1

Section V - PARTS

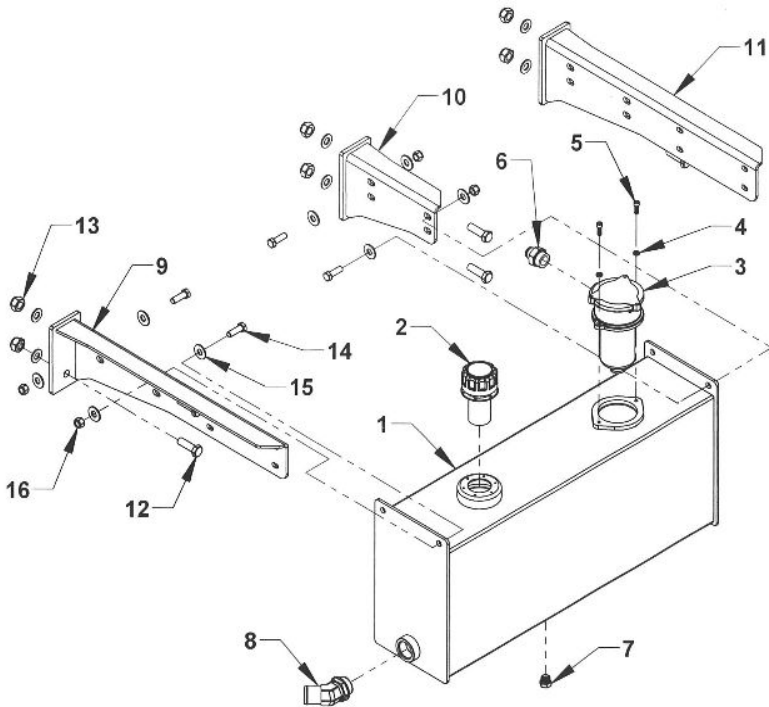
DIRECT MOUNT PUMP - 24 GPM



REF	PART #	DESCRIPTION	QPU
1	78006	PUMP-24 GPM , 1 IN. 15 SPLINE SHAFT, SAE 4-BOLT FLANGE	1
2	77C92	1-1/4 x 90 M-M O-RING x 1-1/2 NIPPLE	1
3	77620	1-1/4 O-RING PLUG 900598-20	1
4	03006344	1 O-RING x 1 JICF 202702 - 16 x 16	1
5	77616	1 O-RING PLUG 900598-16	1
6	04000561	MAT, 9/16 & 5/8 UNC COUPLING	1

Section V - PARTS

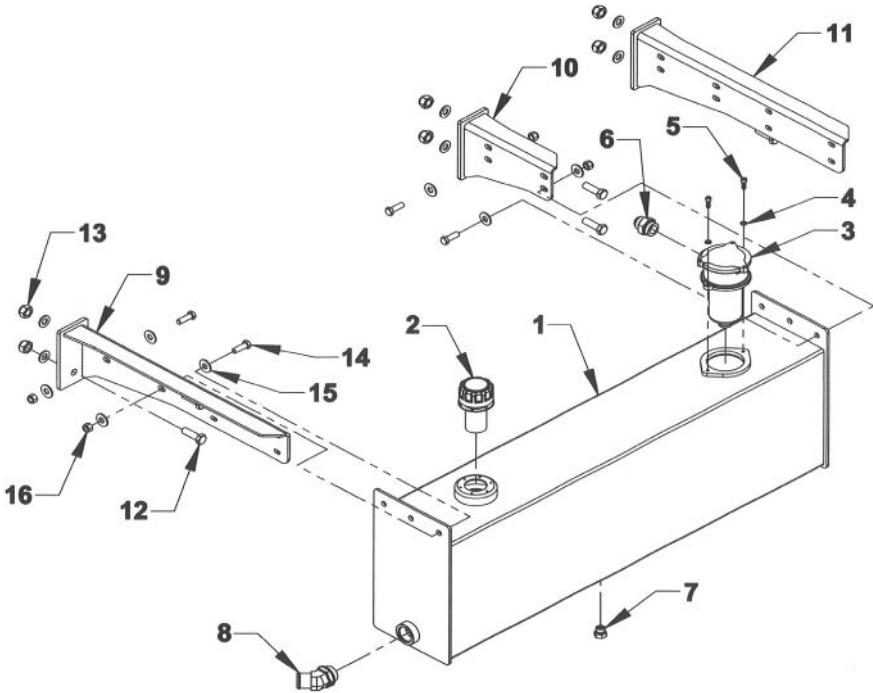
14 GAL. OUTBOARD OIL TANK GROUP



REF	QTY	PART #	DESCRIPTION
1	1	762110	14 GAL. OUTBOARD OIL TANK WELDMENT
2	1	76213G	FILLER BREATHER CAP ASSEMBLY
3	1	76270	FILTER ASSEMBLY
	1	76271	REPLACEMENT FILTER ELEMENT
4	2	0400464	LOCK WASHER 5/16 ZINC PLATE
5	2	04001427	BHCS SCHS 5/16-18 UNC x 7/8 SS
6	1	0301368	ADAPTOR 202702 16 x 12
7	1	03006085	ADAPTOR 900598-8 (MAGNETIC DRAIN PLUG)
8	1	03006341	20 x 24 SUCTION HOSE FITTING 90°
9	1	37855R	TANK MTG. BRACKET - RIGHT
	1	37858R	TANK MTG. BRACKET (SHORT) - RIGHT
10	1	37858L	TANK MTG. BRACKET (SHORT) -LEFT
11	1	37855L	TANK MTG. BRACKET - LEFT
12	6	0400274	BOLT 5/8-11 x 2 UNC GR8
13	6	0400426	NYLON LOCK NUT 5/8-11 UNC ZINC PLATED
14	6	0400181	BOLT 1/2-13 UNC x 1-1/2 GR8
15	8	0400492	FLAT WASHER 1/2 ZINC PLATED
16	4	0403100	NYLON LOCK NUT 1/2-13 UNC ZINC PLATED

Section V- PARTS

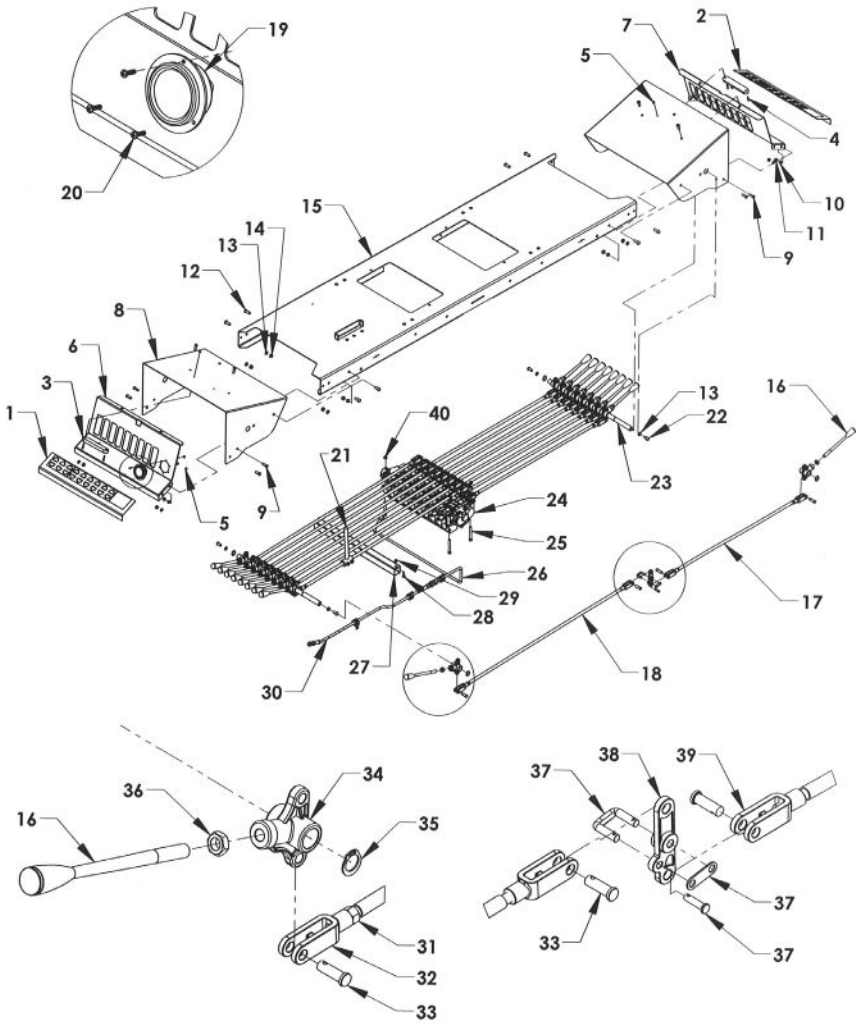
**OUTBOARD 24 GALLON
HYDRAULIC TANK GROUP**



REF	PART #	DESCRIPTION	QPU
1	0809490	OUTBOARD 24 GALLON OIL RESERVOIR	1
2	76213G	FILLER/BREATHER CAP ASSEMBLY	1
3	76270	IN-TANK FILTER ASSEMBLY #16 SAE PORT	1
4	ADPTR202702 16x16	ADAPTOR 202702 16x16	1
5	ADPTR2061 20x24H	ADAPTOR 2061 20x24H	1
6	0403113	#8 O-RING PLUG - ADAPTOR 900598-8	1
7	0400464	LOCK WASHER 5/16	2
8	04001427	CAP SCREW 5/16-18 UNC x 7/8 SS	2
9	HOSEEND-16H-16JICF90	HOSE END - 16H - 16JICF90	1
10	37855R	UNV. TOOLBOX & OIL TNK MTG.BRKT-R	1
11	12826	TOOLBOX SHIM (FOR 49 IN. ALUM. BOX)	2
12	37855L	UNV. TOOLBOX & OIL TNK MTG BRKT-L	1

Section V - PARTS

9-SPOOL CONTROL STATION

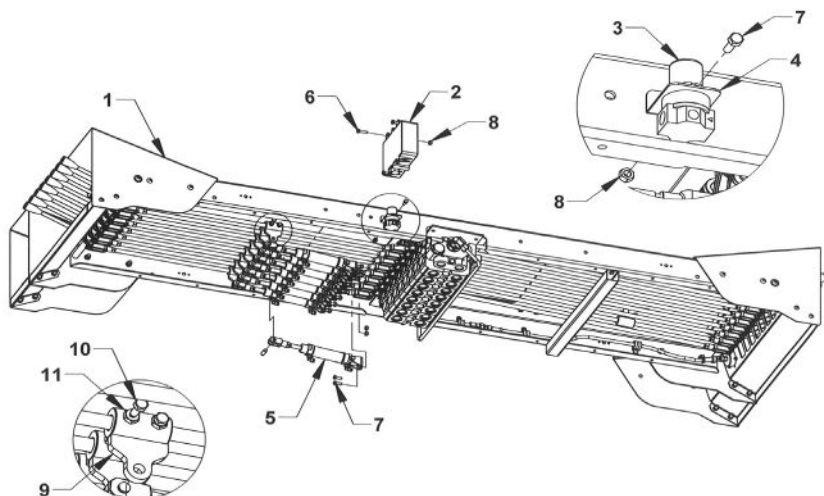


Section V - PARTS 9-SPOOL CONTROL STATION

REF. NO.	NO. REQ'D	PART NUMBER	DESCRIPTION
1	1	18219L	CONTROL PLACARD 4-CAR AUTOGRIP - LEFT
	1	18218L	CONTROL PLACARD 4-CAR CARRIER - LEFT
	1	18224L	CONTROL PLACARD SIDEPULLER OVERLAY - LFT
	1	18235L	CONTROL PLACARD DUAL DECK - LEFT
	1	18236L	CONTROL PLACARD DUAL DECK AG OVERLAY-LT
2	1	18219R	CONTROL PLACARD 4-CAR AUTOGRIP - RIGHT
	1	18218R	CONTROL PLACARD 4-CAR CARRIER - RIGHT
	1	18224R	CONTROL PLACARD SIDEPULLER OVERLAY-RT
	1	18235R	CONTROL PLACARD DUAL DECK - RIGHT
	1	18236R	CONTROL PLACARD DUAL DECK AG OVERLAY-RT
3	2	0320162	LED CONTROL STATION LIGHT - 6 IN.
4	4	04000281	SCREW, PHILLIPS #6-32 UNC x 7/8
5	7	0403147	NYLON LOCK NUT #6-32 SS
6	1	0752654L	CONTROL PANEL - LEFT
7	1	0752654R	CONTROL PANEL - RIGHT
8	2	0752653	CONTROL HOOD
9	12	0403079	BHCS 5/16-18 UNC x 5/8
10	12	0402118	LOCK WASHER 5/16, SS
11	12	0403074	HEX NUT 5/16-18 UNC
12	8	04001085	BHCS 3/8-16 UNC x 1, SS
13	12	0402121	LOCK WASHER 3/8 SS
14	8	0402122	NYLON LOCK NUT 3/8-16 UNC
15	1	181289W	CONTROL BOX ARM WELDMENT - 79.5 IN
16	6	0320048-GY	CONTROL HANDLE 8" - GRAY
	4	0320048-RD	CONTROL HANDLE 8" - RED
	6	0320048-BL	CONTROL HANDLE 8" - BLUE
	2	0320048-GR	CONTROL HANDLE 8" - GREEN
17	9	7A528W	CONTROL ROD 28-1/2
18	9	7A538W	CONTROL ROD 37-3/4
19	1	0320157	PRESSURE GAUGE HYDRAULIC - 2 IN.
20	3	04000282	SCREW PHILLIPS #6-32 x 1/2
21	1	0809904	ANTI-TILT CONTROL ROD WELDMENT
22	4	0403169	BHCS 3/8-16 UNC x 3/4
23	2	7A5753-20	CONTROL HANDLE CROSS ROD 3/4 x 20-3/4
24	1	74118	VALVE BODY GRESEN 8-SPOOL
	1	74119	VALVE BODY GRESEN 9 SPOOL
	3	0403169	HHCS 5/16-18 UNC x 2-3/4
25	1	0752718-8	CONTROL STATION GAUGE FLUID TUBE - 8 SP
26	1	0752718-9	CONTROL STATION GAUGE FLUID TUBE - 9 SP
27	1	18336	CONTROL STATION WIRE TUBE - 9 SPOOL
28	2	0400366	HHCS 1/4-20 UNC x 3/4
29	2	0400367	NYLON LOCK NUT 1/4-20 UNC
30	1	0320169	PRESSURE GAUGE HOSE
31	18	0403115	NUT 3/8-24 HF RH
32	18	84530	CLEVIS - RIGHT HAND THREAD
33	36	84620	CLEVIS PIN 3/8 x 1-1/8
34	18	7A1155	CONTROL HANDLE PIVOT BASE
35	4	86075E	SNAP RING 3/4 EXTERNAL
36	18	0400410	1/2-13 UNC JAM NUT ZP
37	9	7A010	CLEVIS PIN AND LINK ASSEMBLY
38	9	7A121	BELL CRANK
39	18	84540	CLEVIS - LEFT HAND THREAD
40	3	0400382	NYLON LOCK NUT 5/16-18 UNC

Section V - PARTS

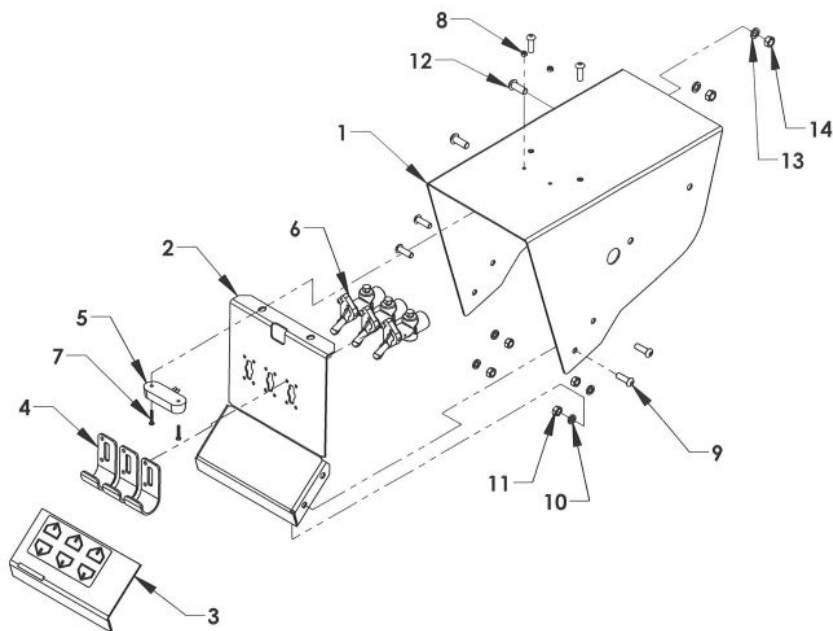
REMOTE AIR CYLINDERS 9-SPOOL



REF. NO.	QTY	PART NUMBER	DESCRIPTION
1	1	183129	9-SPOOL CONTROL STATION
2	1	0308726-2	RADIO CONTROL RECEIVER BOX 2-FUNCTION
		0308726-4	RADIO CONTROL RECEIVER BOX 4-FUNCTION
		0308726-6	RADIO CONTROL RECEIVER BOX 6-FUNCTION
		0308726-8	RADIO CONTROL RECEIVER BOX 8-FUNCTION
		0308726-10	RADIO CONTROL RECEIVER BOX 10-FUNCTION
		0308726-12	RADIO CONTROL RECEIVER BOX 12-FUNCTION
		0308726-16	RADIO CONTROL RECEIVER BOX 16-FUNCTION
3	1	71713	AIR PRESSURE REGULATOR
4	1	0752351	AIR PRESSURE REGULATOR MTG BRACKET
5	X	0308711	AIR CYLINDER 2 INCH STROKE
6	X	0403043	BOLT HHCS 1/4-20 UNC x 1 GR5
7	X	0400066	BOLT HHCS 1/4-20 UNC x 3/4 GR5
8	X	0400367	NUT NYLOK 1/4-20 UNC
9	X	0809905	BOLT-ON AIR CYLINDER PLATE WELDMENT
10	X	0400059	BOLT HHCS 1/4-20 UNC x 5/8 GR5
11	X	0400366	NUT HEX 1/4-20 UNC

Section V - PARTS

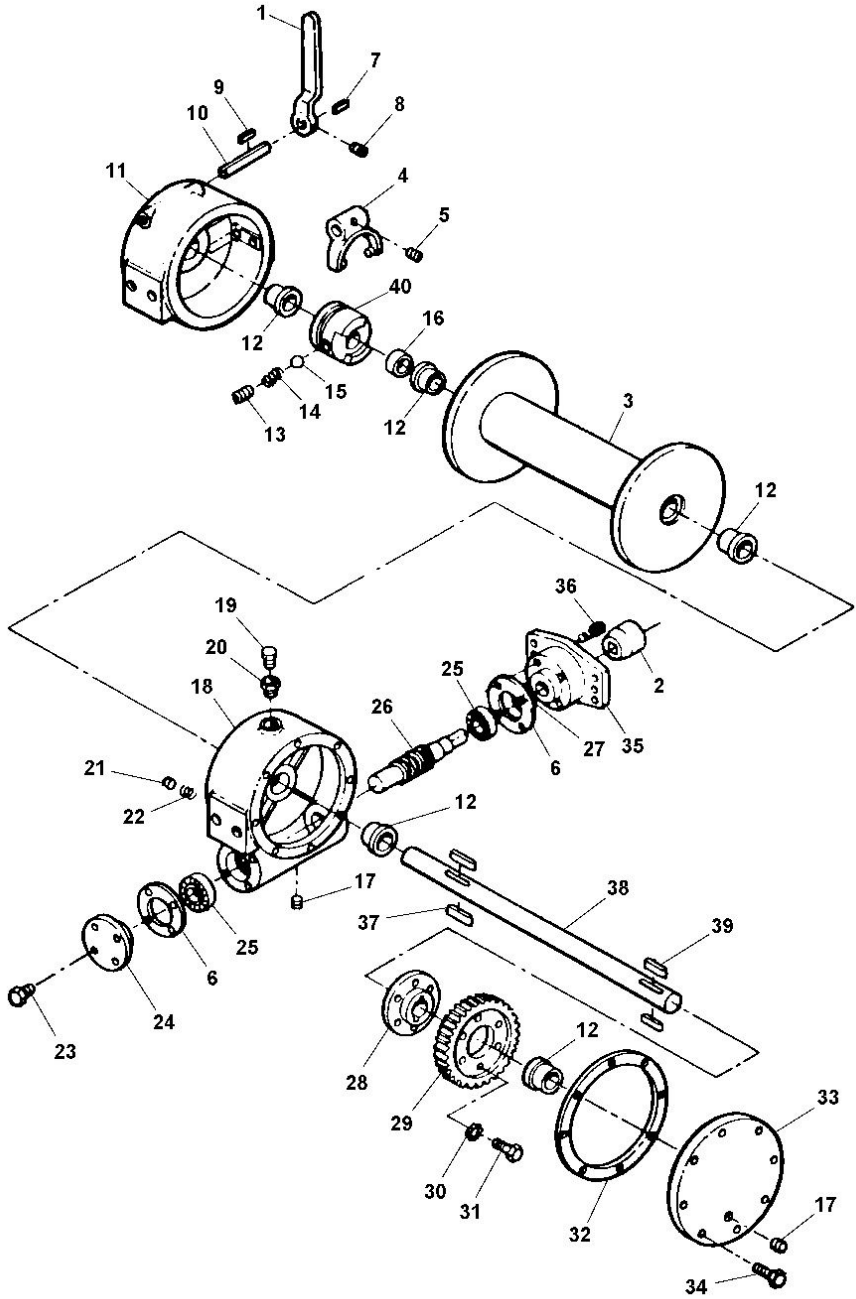
3 AIR VALVE CONTROL STATION



REF. NO.	NO. REQ'D	PART NUMBER	DESCRIPTION
1	1	0752657	3-TOGGLE AIR VALVE CONTROL HOOD
2	1	0752658L	3-TOGGLE AIR VALVE CONTROL PANEL - LEFT
	1	0752658R	3-TOGGLE AIR VALVE CONTROL PANEL - RIGHT
3	1	18211L	3-TOGGLE AIR VALVE CONTROL PLACARD - LEFT
	1	18211R	3-TOGGLE AIR VALVE CONTROL PLACARD - RIGHT
4	2	18145	TOGGLE AIR GUARD
5	1	0320161	CONTROL LIGHT
6	2	71716	TOGGLE AIR VALVE
7	2	04000281	SCREW PRH #6-32 UNC x 7/8 SS
8	2	0403147	NUT, NYLON #6-32 UNC SS
9	6	0403079	BOLT BHCS 5/16-18 UNC x 1 SS
10	6	0402118	LOCK WASHER 5/16 SS
11	6	0403074	NUT, NYLON 5/16-18 UNC SS
12	2	04001085	BOLT HHCS 3/8-16 UNC x 1 SS
13	2	0402121	LOCK WASHER 3/8-16 SS
14	2	0402122	NUT, NYLON 3/8-16 UNC

Section V - PARTS

RAMSEY 234 HYDRAULIC WINCH



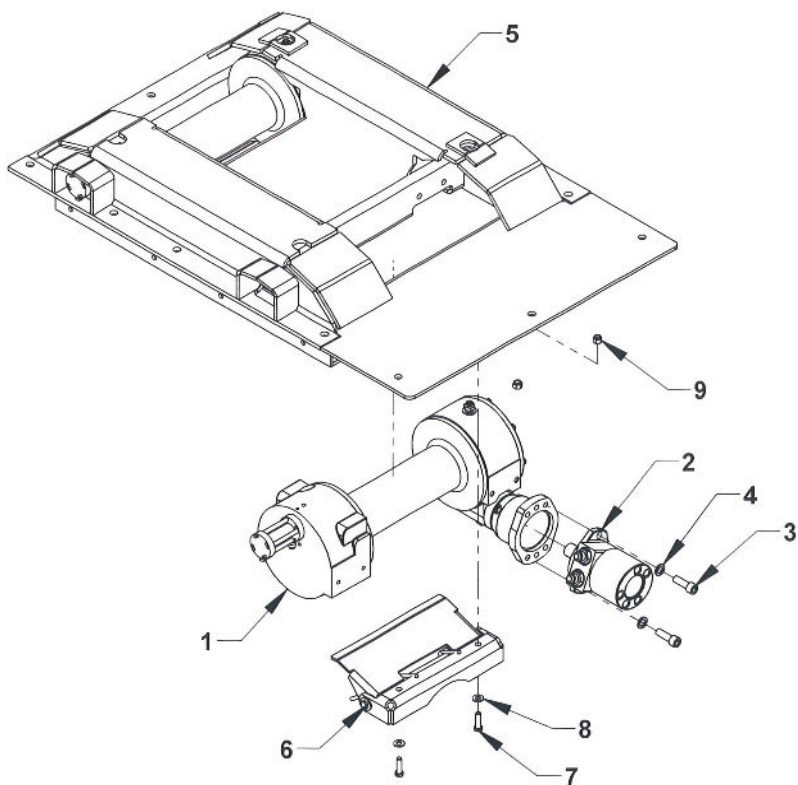
Section V - PARTS
RAMSEY 234 HYDRAULIC WINCH

REF. NO.	NO. REQ'D	PART NUMBER	DESCRIPTION
1	1	0300261	LEVER
2	1	0300290	COUPLING
3	1	0300381	DRUM
4	1	0300398	YOKE
5	1	0300399	SCREW
6	2	0300447	GASKET
7	1	0300448	KEY
8	1	0300449	SCREW
9	1	0300450	KEY
10	1	0300451	SHAFT
11	1	0300452	CLUTCH HOUSING
12	5	0300453	BUSHING
13	1	0300454	SCREW
14	1	0300455	SPRING
15	1	0300456	BALL
16	1	0300458	SPACER
17	2	0300459	PLUG
18	1	0300460	HOUSING
19	1	0300461	PLUG
20	1	0300462	REDUCER
21	1	0300463	DRAG BRAKE
22	1	0300464	SPRING
23	16	0300465	SCREW
24	1	0300466	CAP
25	2	0300467	BEARING
26	1	0300468	WORM
27	1	0300471	SEAL
28	1	0300472	HUB
29	1	0300473	GEAR
30	6	0300474	WASHER
31	6	0300475	SCREW
32	1	0300476	GASKET
33	1	0600477	COVER
34	4	0300569	SCREW
35	1	0300694	CAP ADAPTER
36	1	0300695	SCREW
37	2	--	KEY
38	1	--	SHAFT
39	2	--	KEY
40	1	--	CLUTCH
41	1	0308608	TORSION SPRING
*	1	0308698	4 TON WORM WINCH ASSEMBLY

* When ordering specify winch serial number.

Section V - PARTS

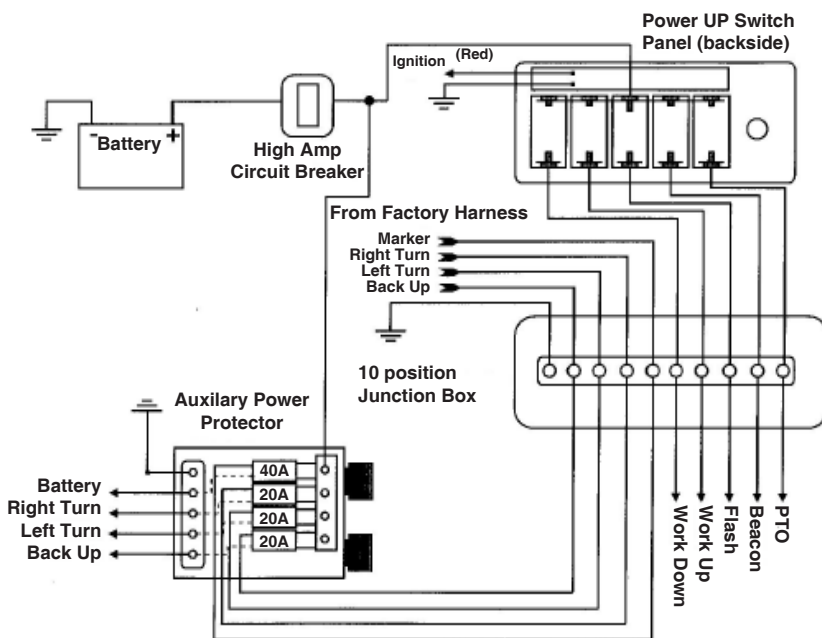
RAMSEY DUAL 8K WINCHES AIR SHIFT



REF	PART #	DESCRIPTION	QPU
1	71104A	RAMSEY 4 TON WINCH AIR SHIFT	2
2	0320147	RAMSEY WINCH MOTOR - 5 CUBIC INCH	2
3	0400238	SOCKET HEAD CAP SCREW 1/2-13 UNC	4
4	0400491	LOCK WASHER 1/2	4
5	31040	RAMSEY 4-CAR WINCH MOUNTING FRAME	1
6	A902210	RAMSEY SPRING TENSIONER	2
7	0400122	BOLT, HHCS 3/8-16 UNC x 1-1/4 GR5	4
8	0400480	WASHER 3/8	4
9	0400392	NYLON LOCK NUT 3/8-16 UNC	4

Section V - PARTS

OPTIONAL DASHBOARD PANEL

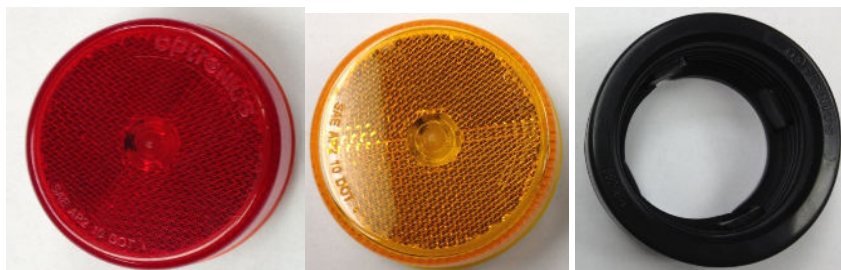


Section V - PARTS

LIGHT KIT



REF. NO.	PART NUMBER	DESCRIPTION
1	0311498	LIGHT 6" OVAL RED LED - STOP/TURN
2	0311500	LIGHT 6" OVAL REVERSE LED
3	3011503	LIGHT 6" GROMMET



REF. NO.	PART NUMBER	DESCRIPTION
1	0311512	LIGHT 2.5" RED REFLEX LED (MCL59RB)
2	0311513	LIGHT 2.5" AMBER REFLEX LED (MCL59AB)
3	0311516	LIGHT 2.5" GROMMET

Section V - PARTS

LIGHT KIT



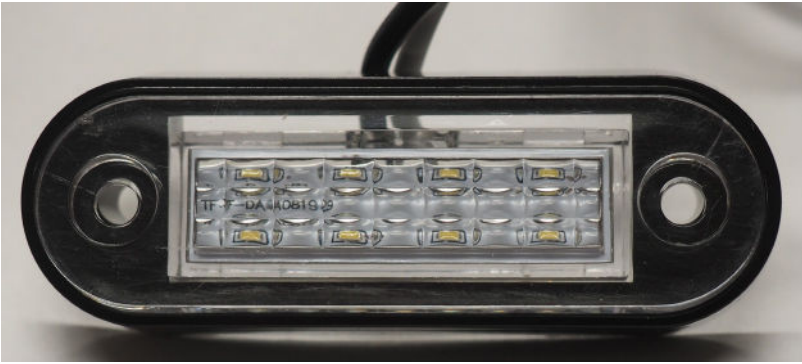
REF. NO.	PART NUMBER	DESCRIPTION
1	0311514	LIGHT 2.5" ROUND CLEAR/RED LED MARKER LIGHT
2	0311515	LIGHT 2.5" ROUND CLEAR/AMBER LED MARKER LIGHT
3	3011516	LIGHT 2.5" GROMMET



REF. NO.	PART NUMBER	DESCRIPTION
1	0320162	6 IN. CONTROL STATION LED LIGHT

Section V - PARTS

LIGHT KIT & PRESSURE GAUGE



REF. NO.	PART NUMBER	DESCRIPTION
1	0320161	3 IN. CONTROL STATION LED LIGHT



REF. NO.	PART NUMBER	DESCRIPTION
1	0320157	2 IN. HYDRAULIC PRESSURE GAUGE

Section V - PARTS

LIGHT KIT



REF. NO.	PART NUMBER	DESCRIPTION
1	0311519	RED 3/4 LED ICC LIGHT



REF. NO.	PART NUMBER	DESCRIPTION
1	0311520	RED 3/4 LED LIGHT

Section V - PARTS

LIGHT KIT



REF. NO.	PART NUMBER	DESCRIPTION
1	0311521	AMBER 3/4 ROUND LED LIGHT



REF. NO.	PART NUMBER	DESCRIPTION
1	0311522	CLEAR/RED 3/4 ROUND LED LIGHT



REF. NO.	PART NUMBER	DESCRIPTION
1	0311523	CLEAR/AMBER 3/4 ROUND LED LIGHT

Section V - PARTS

LIGHT KIT



REF. NO.	PART NUMBER	DESCRIPTION
1	0308359	MARKER LIGHT RED REFLEX LED



REF. NO.	PART NUMBER	DESCRIPTION
1	0308360	MARKER LIGHT AMBER REFLEX LED

Section V - PARTS

LIGHT KIT



REF. NO.	PART NUMBER	DESCRIPTION
1	0308969R	MARKER LIGHT RED REFLEX LED



REF. NO.	PART NUMBER	DESCRIPTION
1	0308969A	MARKER LIGHT AMBER REFLEX LED

Section V - PARTS

LIGHT KIT



REF. NO.	PART NUMBER	DESCRIPTION
1	0312578	MILLENNIUM MARKER LIGHT CLEAR/AMBER



REF. NO.	PART NUMBER	DESCRIPTION
1	0312579	MILLENNIUM MARKER LIGHT CLEAR/RED

Section V - PARTS

LIGHT KIT



REF. NO.	PART NUMBER	DESCRIPTION
1	0308491	REFLECTOR - AMBER



REF. NO.	PART NUMBER	DESCRIPTION
1	0308490	REFLECTOR - RED

Section V - PARTS

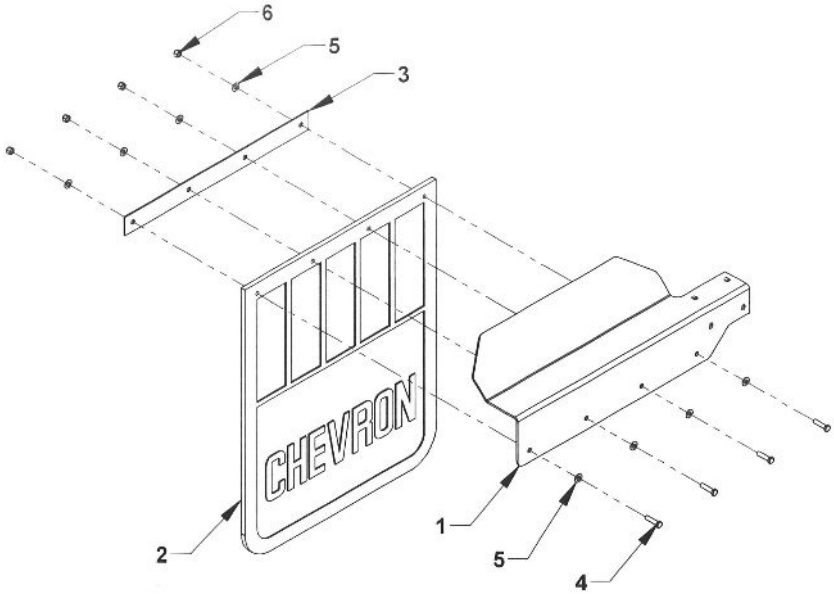
LIGHT KIT



REF. NO.	PART NUMBER	DESCRIPTION
1	0311510	RECTANGULAR REFLEX BACK UP
1	0311511	RECTANGULAR REFLEX BACK UP GROMMET

Section V - PARTS

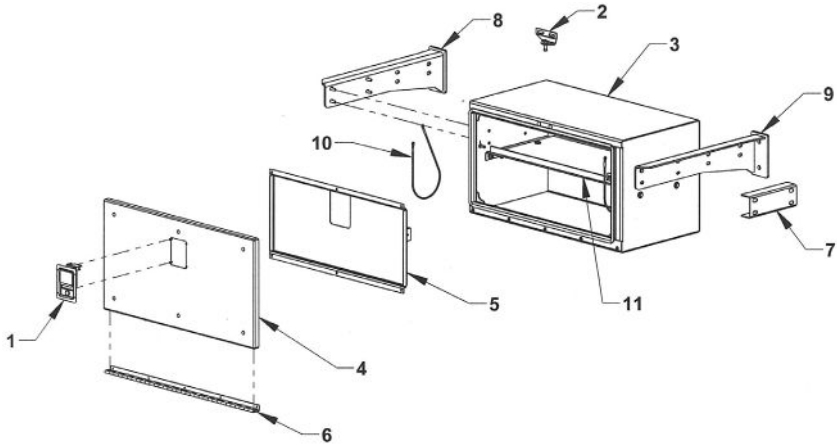
MUDFLAP COMPONENTS



REF	PART #	DESCRIPTION	QPU
1	0751024-29L	MUDFLAP MOUNTING BRACKET - LH	1
	0751024-29R	MUDFLPA MOUNTING BRACKET - RH	1
2	A1030	MUDFLAP 24 x 30	1
3	0750340	MUDFLAP SUPPORT BAR	1
4	0400132	BOLT HHCS 3/8-16 UNC x 1-1/2 GR 5	4
5	0400480	WASHER 3/8	8
6	0400392	NYLOCK NUT 3/8-16 UNC	4

Section V - PARTS

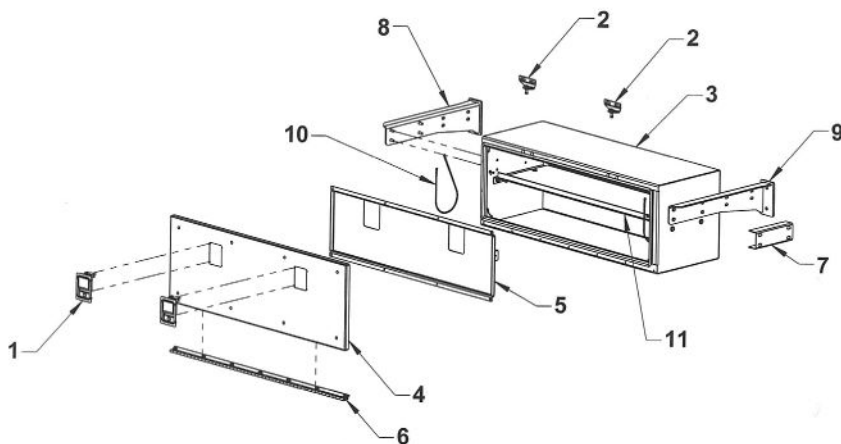
33" ALUMINUM TOOLBOX - 377000



REF	PART #	DESCRIPTION	QPU	
1	54658	ROTARY PADDLE LATCH	1	
	54657	GASKET FOR PADDLE LATCH	1	
	81111	#8-32 X 1/2 STAINLESS ONE WAY SCREW	4	
	83111	#8-32 STAINLESS KEPT NUT	4	
2	376182	STRIKER PIN MOUNTING PLATE	1	
	54659	STRIKER PIN	1	
	81115	STAINLESS CARRIAGE BOLT 5/16-18 x 3/4	2	
	82110	FLAT WASHER 5/16	4	
	82130	LOCK WASHER 5/16	2	
	83110	NUT 5/16-18	2	
	83125	NYLON LOCK NUT 5/16-18	1	
3	377100W	BOX WELDMENT	1	
4	37741	DOOR WELDMENT	1	
	37740	DOOR ASSEMBLY	1	
	81100	STAINLESS CARRIAGE BOLT 1/4-20 x 3/4	6	
	83105	NYLON LOCK NUT 1/4-20	6	
5	37744	DOOR REINFORCEMENT	1	
	6	37735	HINGE	1
		811014	SS SOCKET BUTTON HEAD BOLT 1/4-20 x 7/8	2
		811012	SS SOCKET BUTTON HEAD BOLT 1/4-20 x 3/4	3
		811010	SS SOCKET BUTTON HEAD BOLT 1/4-20 x 5/8	5
10	83105	NYLON LOCK NUT 1/4-20	10	
	37760	TANDEM BOX SPACER CHANNEL (OPTIONAL)	1	
7	37760	TANDEM BOX SPACER CHANNEL (OPTIONAL)	1	
8	37855L	TANK AND TOOLBOX MOUNTING BRACKET-LEFT	1	
9	37855R	TOOLBOX MOUNTING BRACKET-RIGHT	1	
10	5A221	LANYARD-21 INCH	2	
11	37770	SHELF	1	

Section V - PARTS

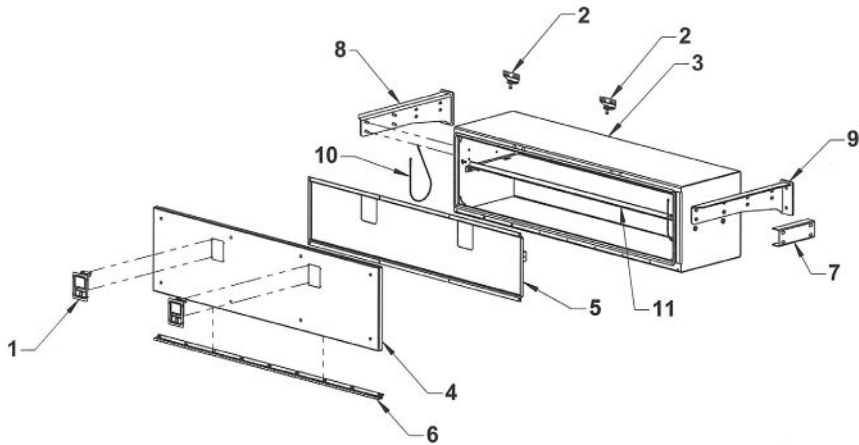
49" ALUMINUM TOOLBOX - 378000



REF	PART #	DESCRIPTION	QPU
1	54658	ROTARY PADDLE LATCH	1
	54657	GASKET FOR PADDLE LATCH	1
	81111	#8-32 X 1/2 STAINLESS ONE WAY SCREW	4
	83111	#8-32 STAINLESS KEPT NUT	4
2	376182	STRIKER PIN MOUNTING PLATE	1
	54659	STRIKER PIN	1
	81115	STAINLESS CARRIAGE BOLT 5/16-18 x 3/4	2
	82110	FLAT WASHER 5/16	4
	82130	LOCK WASHER 5/16	2
	83110	NUT 5/16-18	2
	83125	NYLON LOCK NUT 5/16-18	1
	378100W	BOX WELDMENT	1
4	37741	DOOR WELDMENT	1
	37740	DOOR ASSEMBLY	1
	81100	STAINLESS CARRIAGE BOLT 1/4-20 x 3/4	6
	83105	NYLON LOCK NUT 1/4-20	6
5	37744	DOOR REINFORCEMENT	1
	37735	HINGE	1
6	811014	SS SOCKET BUTTON HEAD BOLT 1/4-20 x 7/8	2
	811012	SS SOCKET BUTTON HEAD BOLT 1/4-20 x 3/4	3
	811010	SS SOCKET BUTTON HEAD BOLT 1/4-20 x 5/8	5
	83105	NYLON LOCK NUT 1/4-20	10
	37760	TANDEM BOX SPACER CHANNEL (OPTIONAL)	1
8	37855L	TANK AND TOOLBOX MOUNTING BRACKET-LEFT	1
9	37855R	TANK AND TOOLBOX MOUNTING BRACKET-RGHT	1
10	5A221	LANYARD-21 INCH	2
11	37770	SHELF	1

Section V - PARTS

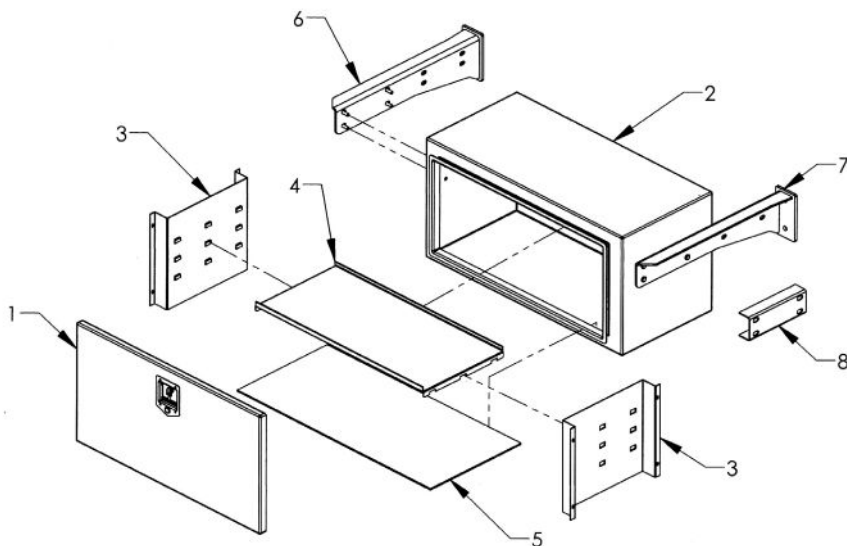
65" ALUMINUM TOOLBOX - 379000



REF	PART #	DESCRIPTION	QPU
1	54658	ROTARY PADDLE LATCH	1
	54657	GASKET FOR PADDLE LATCH	1
	81111	#8-32 X 1/2 STAINLESS ONE WAY SCREW	4
	83111	#8-32 STAINLESS KEPT NUT	4
2	376182	STRIKER PIN MOUNTING PLATE	1
	54659	STRIKER PIN	1
	81115	STAINLESS CARRIAGE BOLT 5/16-18 x 3/4	2
	82110	FLAT WASHER 5/16	4
	82130	LOCK WASHER 5/16	2
	83110	NUT 5/16-18	2
	83125	NYLON LOCK NUT 5/16-18	1
	379100W	BOX WELDMENT	1
4	37741	DOOR WELDMENT	1
	37740	DOOR ASSEMBLY	1
5	81100	STAINLESS CARRIAGE BOLT 1/4-20 x 3/4	6
	83105	NYLON LOCK NUT 1/4-20	6
	37744	DOOR REINFORCEMENT	1
6	37735	HINGE	1
	811014	SS SOCKET BUTTON HEAD BOLT 1/4-20 x 7/8	2
	811012	SS SOCKET BUTTON HEAD BOLT 1/4-20 x 3/4	3
	811010	SS SOCKET BUTTON HEAD BOLT 1/4-20 x 5/8	5
	83105	NYLON LOCK NUT 1/4-20	10
7	37760	TANDEM BOX SPACER CHANNEL (OPTIONAL)	1
8	37855L	TANK AND TOOLBOX MOUNTING BRACKET-LEFT	1
9	37855R	TANK AND TOOLBOX MOUNTING BRACKET-RGHT	1
10	5A221	LANYARD-21 INCH	2
11	37770	SHELF	1

Section V - PARTS

36" STEEL TOOLBOX - CONVENTIONAL

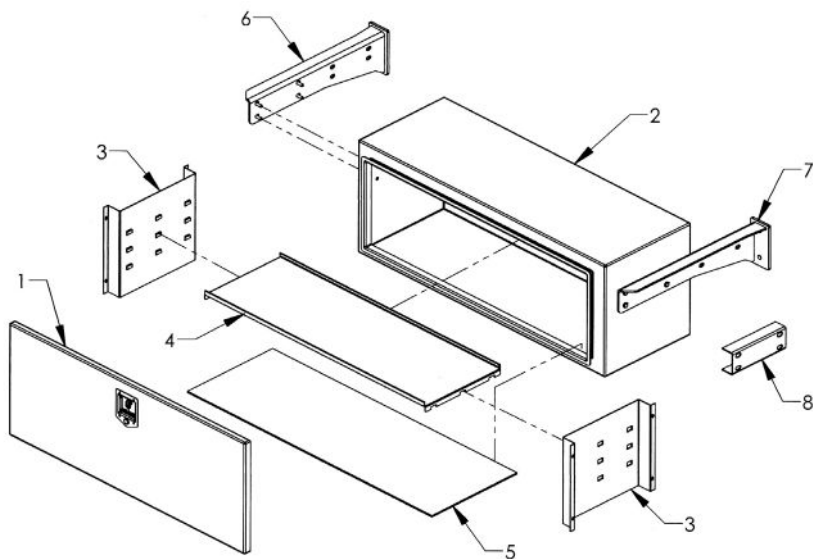


NOTE: 174016021 DOES NOT INCLUDE MOUNTING BRACKETS

REF	PART #	DESCRIPTION	QPU
1	174016021	STEEL TOOLBOX 36"	1
2	1740160321D	DOOR ASSEMBLY	1
3	07002918	STEEL TOOLBOX INSIDE PANEL	2
4	07002919-36	STEEL TOOLBOX 36 IN. SHELF	1
5	0308801	TOOL BOX MAT 36 IN.	1
6	37855L	TOOL BOX AND OIL TANK MTG. BRACKET - L	1
7	37855R	TOOL BOX AND OIL TANK MTG. BRACKET - R	1
8	37760	TANDEM BOX SPACER CHANNEL (OPTIONAL)	1

Section V - PARTS

48" STEEL TOOLBOX - CONVENTIONAL

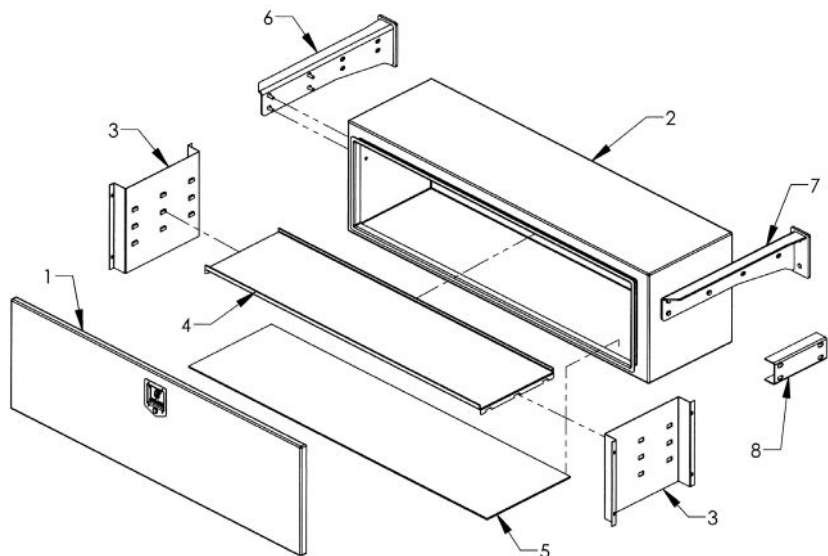


NOTE: 174016022 DOES NOT INCLUDE MOUNTING BRACKETS

REF	PART #	DESCRIPTION	QPU
1	174016022	STEEL TOOLBOX 48"	1
2	174016022D	BOX WELDMENT	1
3	07002918	STEEL TOOLBOX INSIDE PANEL	2
4	07002919-48	STEEL TOOLBOX 48 IN. SHELF	1
5	0308758	TOOL BOX MAT 48 IN.	1
6	37855L	TOOL BOX AND OIL TANK MTG. BRACKET - L	1
7	37855R	TOOL BOX AND OIL TANK MTG. BRACKET - R	1
8	37760	TANDEM BOX SPACER CHANNEL (OPTIONAL)	1

Section V - PARTS

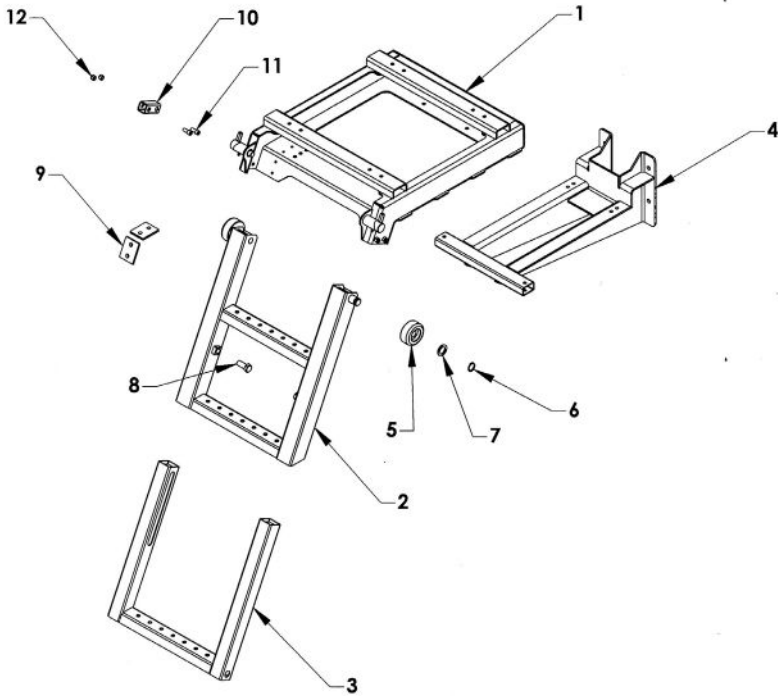
60" STEEL TOOLBOX - CONVENTIONAL



NOTE: 174016023 DOES NOT INCLUDE MOUNTING BRACKETS

REF	PART #	DESCRIPTION	QPU
1	174016023	STEEL TOOLBOX 60"	1
2	174016023D	DOOR ASSEMBLY	1
3	07002918	STEEL TOOLBOX INSIDE PANEL	2
4	07002919-60	STEEL TOOLBOX 60" SHELF	1
5	0308837	TOOLBOX MAT 60"	1
6	37855R	TOOLBOX AND OIL TANK MTG BRACKET-RH	1
7	37855L	TOOLBOX AND OIL TANK MTG BRACKET-LH	1
8	37760	TANDEM BOX SPACER CHANNEL (OPT)	1

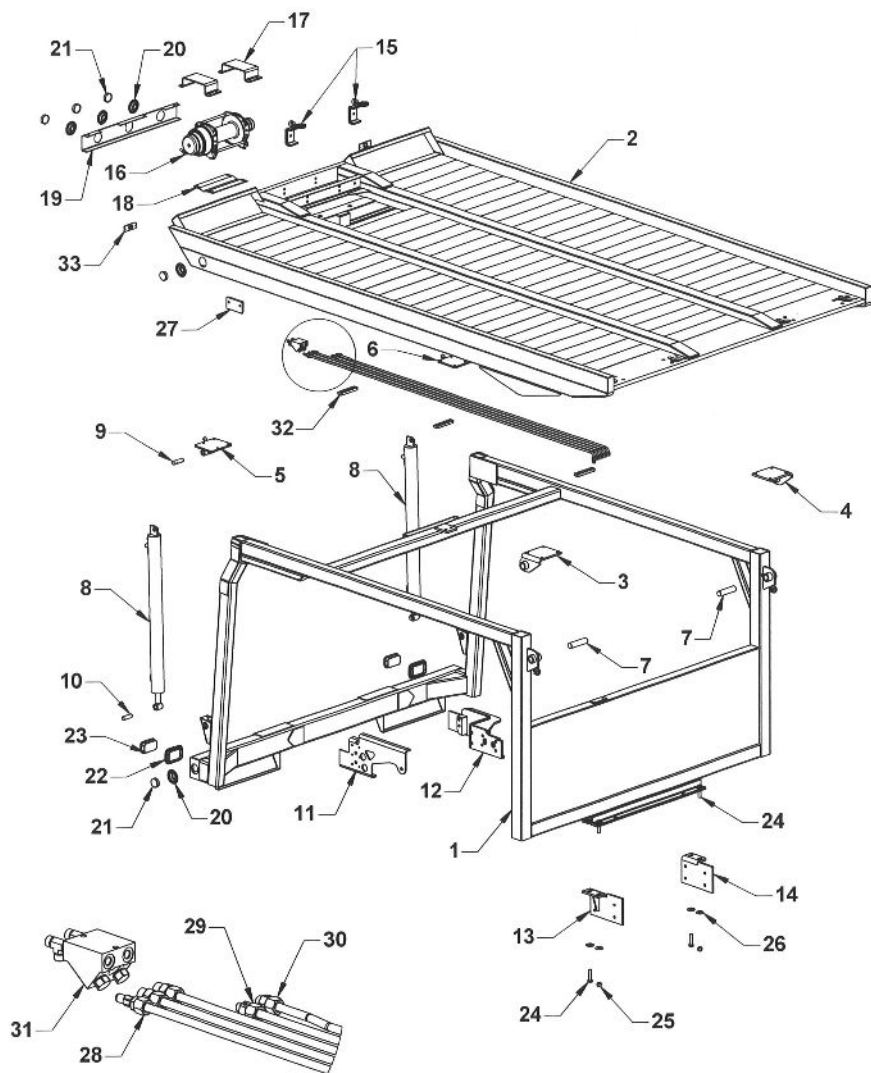
Section V - PARTS RETRACTABLE LADDER



REF	PART #	DESCRIPTION	QPU
	390000	LADDER ASSEMBLY	1
1	391010	LADDER CARRIAGE	1
2	391020	UPPER RUNG ASSEMBLY	1
3	391030	LOWER RUNG ASSEMBLY	1
4	391050	FRAME MOUNTING BRACKET - OPTIONAL	1
5	36310	WHEEL	2
6	86100E	RETAINING RING 1.00 EXTERNAL	2
7	0400470	FLAT WASHER 1 x 1.50	2
8	0403063	RETAINING BOLT 5/8-11 x 1-1/2	2
9	391018	WEAR PAD	4
10	391015	RETAINING TUBE	2
11	0403109	ALLEN HEAD BOLT 3/8-16 x 1	4
12	0400392	NYLON LOCK NUT 3/8-16	4

Section V - PARTS

CAB CARRIER COMPONENTS



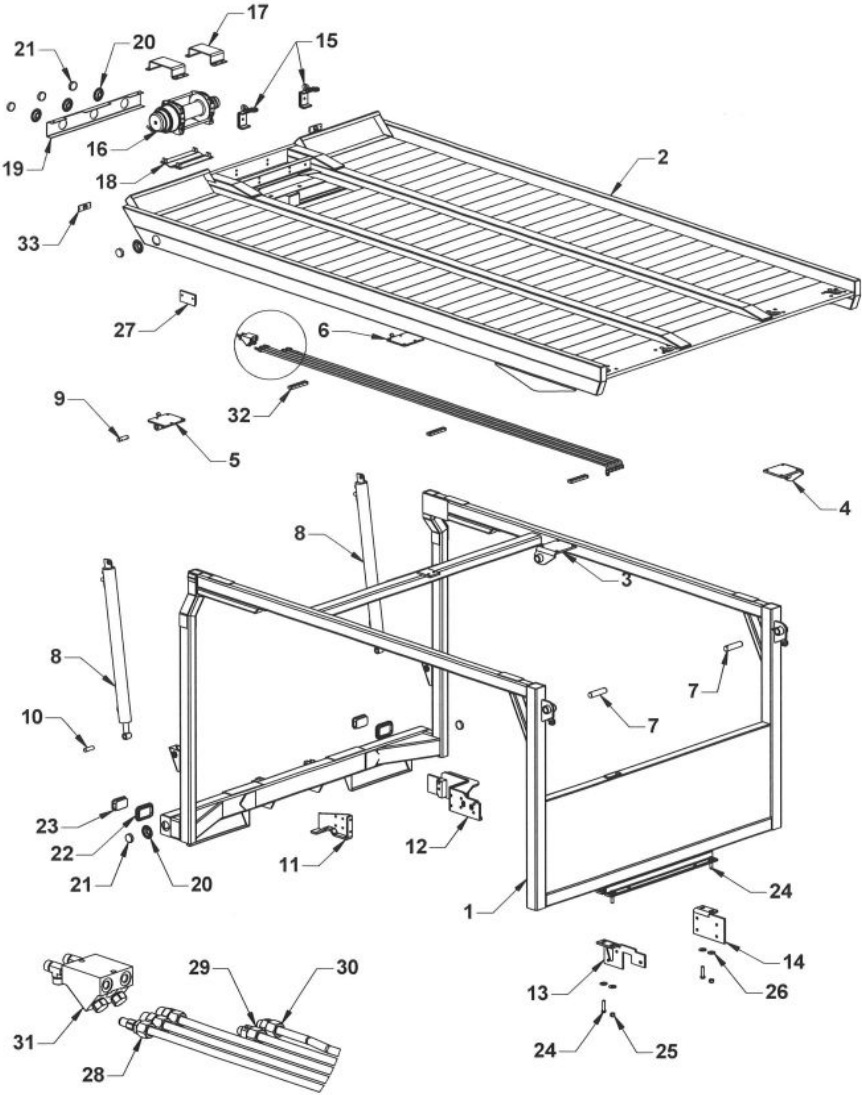
Section V - PARTS

CAB CARRIER COMPONENTS

REF. NO.	NO. REQ'D	PART NUMBER	DESCRIPTION
1	1	40100FRD	FRAME-FORD 750
	1	40100FRT	FRAME-FREIGHTLINER M2
	1	40100INT	FRAME-INTERNATIONAL 4400
	1	40100KW	FRAME-KENWORTH
	1	40100PET	FRAME-PETERBILT
2	1	41800	STEEL DECK-STANDARD
	1	41800S	STEEL DECK-SETBACK
	1	08008908	ALUMINUM DECK-STANDARD
	1	08008859	ALUMINUM DECK-SETBACK
3	1	45165L	HINGE PLATE-LEFT
4	1	45165R	HINGE PLATE-RIGHT
5	1	08008811L	CYLINDER BRACKET-LEFT
6	1	08008811R	CYLINDER BRACKET-RIGHT
7	2	45120	HINGE PIN
8	2	72130	LIFT CYLINDER
9	2	451404	CYLINDER PIN-TOP
10	2	43140	CYLINDER PIN-BOTTOM
11	1	4343101L	INT'L/FORD FRONT MOUNTING BRACKET-LEFT
	1	4343104L	INT'L/FORD FRONT MOUNTING BRACKET-LEFT
	1	434300M2L	FREIGHTLINER M2 FRONT MTG BRACKET-LEFT
	1	434305KWL	KENWORTH FRONT MOUNTING BRACKET-LEFT
	1	4343903L	PETERBILT FRONT MOUNTING BRACKET-LEFT
12	1	4343101R	INT'L/FORD FRONT MOUNTING BRACKET-RIGHT
	1	434300M2R	FREIGHTLINER M2 FRONT MOUNTING BRKT-RIGHT
	1	434305KWR	KENWORTH FRONT MOUNTING BRACKET-RIGHT
	1	4343903R	PETERBILT FRONT MOUNTING BRACKET -RIGHT
13	1	43250L	REAR MOUNTING BRACKET-LEFT GENERIC
	1	43250L2	REAR MOUNTING BRACKET-LEFT INT'L
	1	43250M2L	REAR MOUNTING BRACKET-LEFT-M2
14	1	43250R	REAR MOUNTING BRACKET-RIGHT GENERIC
	1	43250M2R	REAR MOUNTING BRACKET-RIGHT M2
15	2	43535	SAFETY CHAIN HOOK
16	1	71102	PLANETARY WINCH
	1	87141	WINCH CABLE 3/8 x 62 FT.
17	2	41817	CAB CARRIER WINCH COVER - WARN
18	1	41819	DRUM SUPPORT MOUNTING PLATE
19	1	43510	ALUMINUM BEZEL
20	7	0311516	GROMMET-MARKER LIGHT
21	7	0300513	MARKER LIGHT-AMBER
22	2	0311511	GROMMET-TURN SIGNAL
23	2	98010L	TURN SIGNAL-AMBER
24	4	0400285	BOLT 3/4-10 UNC x 3 GRADE 5
25	4	0400430	NYLON LOCK NUT 3/4-10 UNC
26	8	0400510	FLAT WASHER 3/4
27	2	12332C	WEAR PAD
28	3	0707883	CAB CARRIER FLUID TUBE FORS 110"
29	1	07017864	CAB CARRIER FLUID TUBE FORS 105"
30	1	07017885	CAB CARRIER FLUID TUBE FORS 105" OFFSET
31	1	74345	DUAL COUNTERBALANCE VALVE CBCG=XVN
32	3	07017881	FLUID TUBE CLAMP BLOCK-LOWER
33	2	0308360	RECTANGLE MARKER LIGHT-YELLOW

Section V - PARTS

EXTENDED CAB - CAB CARRIER COMPONENTS



Section V - PARTS

EXTENDED CAB - CAB CARRIER COMPONENTS

REF. NO.	NO. REQ'D	PART NUMBER	DESCRIPTION
1	1	40100INT-EC	FRAME-INTERNATIONAL 4400 - EXTENDED CAB
2	1	08008888	ALUMINUM DECK-SETBACK - EXTENDED CAB
3	1	45165L	HINGE PLATE-LEFT
4	1	45165R	HINGE PLATE-RIGHT
5	1	08008811L	CYLINDER BRACKET-LEFT
6	1	08008811R	CYLINDER BRACKET-RIGHT
7	2	45120	HINGE PIN
8	2	72130	LIFT CYLINDER
9	2	451404	CYLINDER PIN-TOP
10	2	43140	CYLINDER PIN-BOTTOM
11	1	4343101L	INT'L/FORD FRONT MOUNTING BRACKET-LEFT
	1	4343104L	INT'L/FORD FRONT MOUNTING BRACKET-LEFT
	1	434300M2L	FREIGHTLINER M2 FRONT MTG BRACKET-LEFT
	1	434305KWL	KENWORTH FRONT MOUNTING BRACKET-LEFT
	1	4343903L	PETERBILT FRONT MOUNTING BRACKET-LEFT
12	1	4343101R	INT'L/FORD FRONT MOUNTING BRACKET-RIGHT
	1	434300M2R	FREIGHTLINER M2 FRONT MOUNTING BRKT-RIGHT
	1	434305KWR	KENWORTH FRONT MOUNTING BRACKET-RIGHT
	1	4343903R	PETERBILT FRONT MOUNTING BRACKET -RIGHT
13	1	43250L	REAR MOUNTING BRACKET-LEFT GENERIC
	1	43250L2	REAR MOUNTING BRACKET-LEFT INT'L
	1	43250M2L	REAR MOUNTING BRACKET-LEFT-M2
14	1	43250R	REAR MOUNTING BRACKET-RIGHT GENERIC
	1	43250M2R	REAR MOUNTING BRACKET-RIGHT M2
15	2	43535	SAFETY CHAIN HOOK
16	1	71102	PLANETARY WINCH
	1	87141	WINCH CABLE 3/8 x 62 FT.
17	2	41817	CAB CARRIER WINCH COVER - WARN
18	1	41819	DRUM SUPPORT MOUNTING PLATE
19	1	43510	ALUMINUM BEZEL
20	7	0311516	GROMMET-MARKER LIGHT
21	7	0300513	MARKER LIGHT-AMBER
22	2	0311511	GROMMET-TURN SIGNAL
2	2	98010L	TURN SIGNAL-AMBER
24	4	0400285	BOLT 3/4-10 UNC x 3 GRADE 5
25	4	0400430	NYLON LOCK NUT 3/4-10 UNC
26	8	0400510	FLAT WASHER 3/4
27	2	12332C	WEAR PAD
28	3	07017940	CAB CARRIER FLUID TUBE FORS 137"
29	1	07017941	CAB CARRIER FLUID TUBE FORS 131"
30	1	07017942	CAB CARRIER FLUID TUBE FORS 131" OFFSET
31	1	74345	DUAL COUNTERBALANCE VALVE CBCG=XVN
32	3	07017881	FLUID TUBE CLAMP BLOCK-LOWER
33	2	0308360	RECTANGLE MARKER LIGHT-YELLOW