

# ***CHEVRON***

---

---



## **OWNER'S MANUAL**

# **SERIES 16 LCG**

# **GENERATION II**

### **INSTALLATION, OPERATION, MAINTENANCE & PARTS**

**NOTE: MANUAL including SPECIFICATIONS, subject to change without notice.  
All ratings specified are based on structural factors only,  
not vehicle capacities or capabilities.**

## ***CHEVRON***

Carriers & Wreckers  
7320 W. Market Street  
Mercer, PA 16137  
Phone (724) 981-7500 • FAX (724) 981-4425  
Toll Free (800) 886-6400  
<http://www.chevroninc.com>

**PART NO. OMC1600-LCG**



## Section V - PARTS

This Section is provided by the manufacturer for the purpose of ordering any component part of the **Series 16 LCG Carrier** that may be required when part replacement is necessary. Be certain to use only original equipment replacement parts for warranty purposes as well as for keeping your **Series 16 LCG Carrier** in its original state and optimum operating capacities.

When ordering replacement or spare parts be sure to provide the following information to your carrier manufacturer authorized representative.

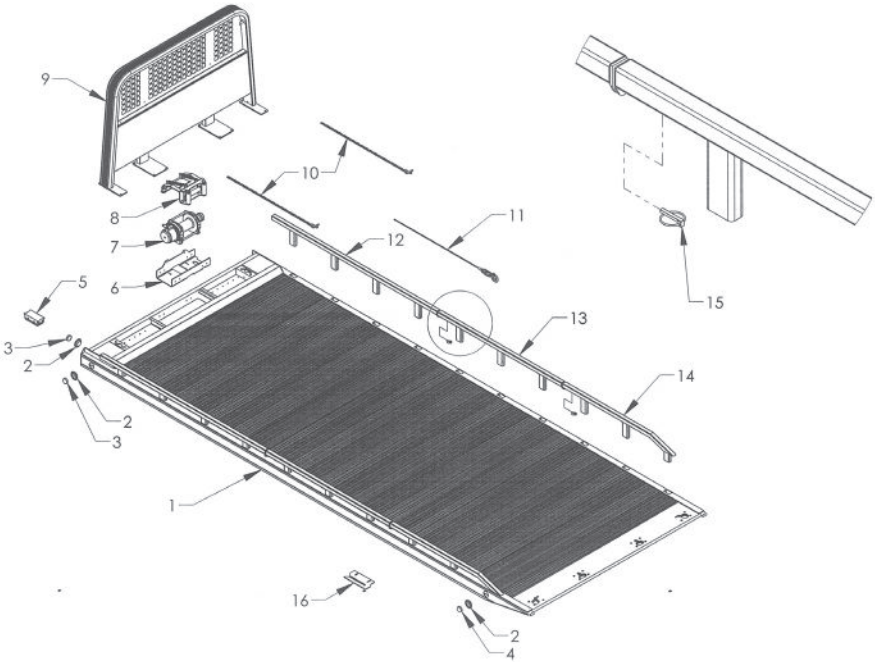
1. **Manual Number & Date of Publication**
2. **Manual Page Number**
3. **Page Title**
4. **Reference Number of Part Desired**
5. **Part Number**
6. **Part Description**
7. **Quantity of Part Desired**

Providing this information will help ensure that the correct parts will be delivered to you in an expedient manner without delay. Should additional information be required for repair or replacement of certain components, contact **Chevron Inc. Mercer, PA, Phone: 724-981-7500**.

The Manufacturer reserves the right, without notice or obligation, to improve or modify their products, which may change the specifications, models and feature availability.

**Section V - PARTS**

**ALUMINUM BED ASSEMBLY  
REMOVABLE TUBE RAIL**



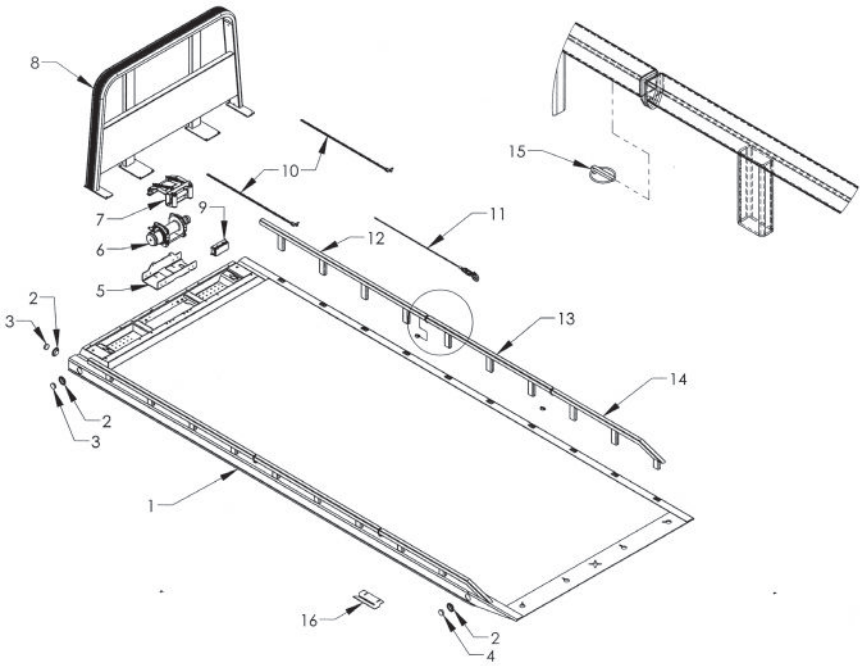
## Section V - PARTS

### ALUMINUM BED ASSEMBLY REMOVABLE TUBE RAIL

| REF. NO. | NO. REQ'D | PART NUMBER | DESCRIPTION                             |
|----------|-----------|-------------|---|
| 1        | 1         | 3018712XXX  | S12 LCG G2 AL BED WELDMNT               |
| 2        | 6         | 0311516     | 2-1/2" MARKER LIGHT GROMMET             |
| 3        | 4         | 0311513     | 2-1/2" AMBER MARKER LIGHT               |
| 4        | 2         | 0311512     | 2-1/2" RED MARKER LIGHT                 |
| 5        | 1         | 98710       | 10 POST JUNCTION BOX                    |
| 6        | 1         | 31025       | WARN WINCH MOUNTING FRAME               |
| 7        | 1         | 71109       | 9,000 LB. WARN 8 INCH DRUM OVERWIND     |
|          | 1         | 71112       | 12,000 LB. WARN 8 INCH DRUM OVERWIND    |
|          | 1         | 71115       | 15,000 LB. WARN 8 INCH DRUM OVERWIND    |
| 8        | 1         | A90209G     | ROLLER GUIDE ASSEMBLY 8 INCH DRUM       |
| 9        | 1         | 35A0XX      | CAB PROTECTOR                           |
| 10       | 2         | 0302493     | FRONT SAFETY CHAIN ASSEMBLY - 5/16 x 8" |
| 11       | 1         | 0301669     | WINCH CABLE ASSEMBLY                    |
| 12       | 2         | 3460XXF     | REMOVABLE TUBE RAIL FRONT (SEE CHART)   |
| 13       | 2         | 346071M     | REMOVABLE TUBE RAIL 3 POST MIDDLE       |
| 14       | 2         | 346064      | REMOVABLE TUBE RAIL REAR                |
| 15       | 4         | 84712       | LYNCH PIN - 7/16 x 1-15/16              |
| 16       | 1         | 33813       | ANTI-TILT PLATE                         |

# Section V - PARTS

## STEEL BED ASSEMBLY REMOVABLE TUBE RAIL



## Section V - PARTS

### STEEL BED ASSEMBLY REMOVABLE TUBE RAIL

| REF. NO. | NO. REQ'D | PART NUMBER  | DESCRIPTION                           |
|----------|-----------|--------------|---------------------------------------|
| 1        | 1         | 301274122XXX | S12 LCG G2 ST BED WELDMENT            |
| 2        | 6         | 0311516      | 2-1/2" MARKER LIGHT GROMMET           |
| 3        | 4         | 0311513      | 2-1/2" AMBER MARKER LIGHT             |
| 4        | 2         | 0311512      | 2-1/2" RED MARKER LIGHT               |
| 5        | 1         | 31025        | WARN WINCH MOUNTING FRAME             |
| 6        | 1         | 71109        | 9,000 L.B WARN 8 INCH DRUM, OVERWIND  |
|          | 1         | 71112        | 12,000 LB. WARN 8 INCH DRUM OVERWIND  |
|          | 1         | 71115        | 15,000 LB. WARN 8 INCH DRUM OVERWIND  |
| 7        | 1         | A90209G      | ROLLER GUIDE ASSEMBLY 8 INCH DRUM     |
| 8        | 1         | 35A0XX       | CAB PROTECTOR                         |
| 9        | 1         | 98710        | 10 POST JUNCTION BOX                  |
| 10       | 2         | 0302493      | FRONT SAFETY CHAIN ASSEMBLY 5/16 X 8" |
| 11       | 1         | 0301669      | WINCH CABLE ASSEMBLY                  |
| 12       | 2         | 3460XF       | REMOVABLE TUBE RAIL FRONT (SEE CHART) |
| 13       | 2         | 346071M      | REMOVABLE TUBE RAIL 3 POST MIDDLE     |
| 14       | 2         | 346064       | REMOVABLE TUBE RAIL REAR              |
| 15       | 4         | 84712        | LYNCH PIN 7/16 x 1-15/16              |
| 16       | 1         | 33813        | ANTI-TILT PLATE                       |

## Section V - PARTS

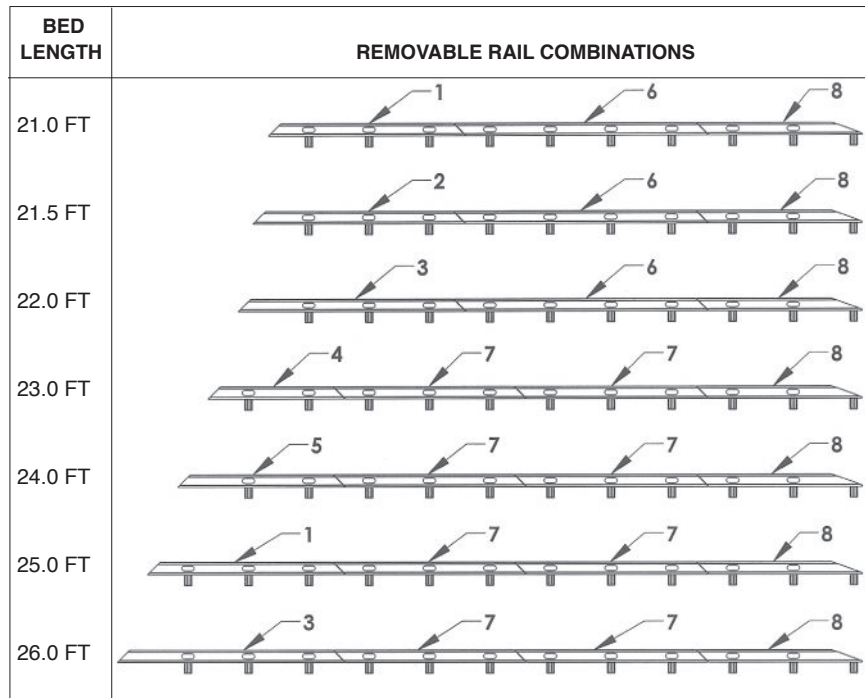
### REMOVABLE TUBE SIDE RAILS

| BED LENGTH  | REMOVABLE RAIL COMBINATIONS |
|-------------|-----------------------------|
| 21 TO 22 FT |                             |
| 23 TO 24 FT |                             |
| 25 TO 26 FT |                             |
| 27 TO 28 FT |                             |
| 29 TO 30 FT |                             |

| REF | PART #  | DESCRIPTION                         | QPU       |
|-----|---------|-------------------------------------|-----------|
| 1   | 346071F | FRONT REMOVABLE TUBE RAIL - 3 POST  | SEE CHART |
| 2   | 346095F | FRONT REMOVABLE TUBE RAIL - 4 POST  | SEE CHART |
| 3   | 346071M | MIDDLE REMOVABLE TUBE RAIL - 3 POST | SEE CHART |
| 4   | 346095M | MIDDLE REMOVABLE TUBE RAIL - 4 POST | SEE CHART |
| 5   | 346064  | REAR REMOVABLE TUBE RAIL - 3 POST   | SEE CHART |

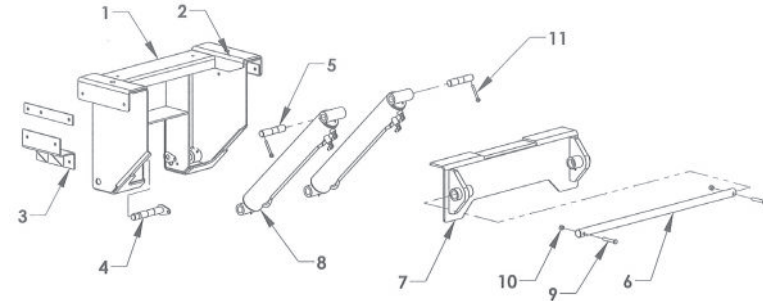


**Section V - PARTS**  
**REMOVABLE BLADE SIDE RAILS**



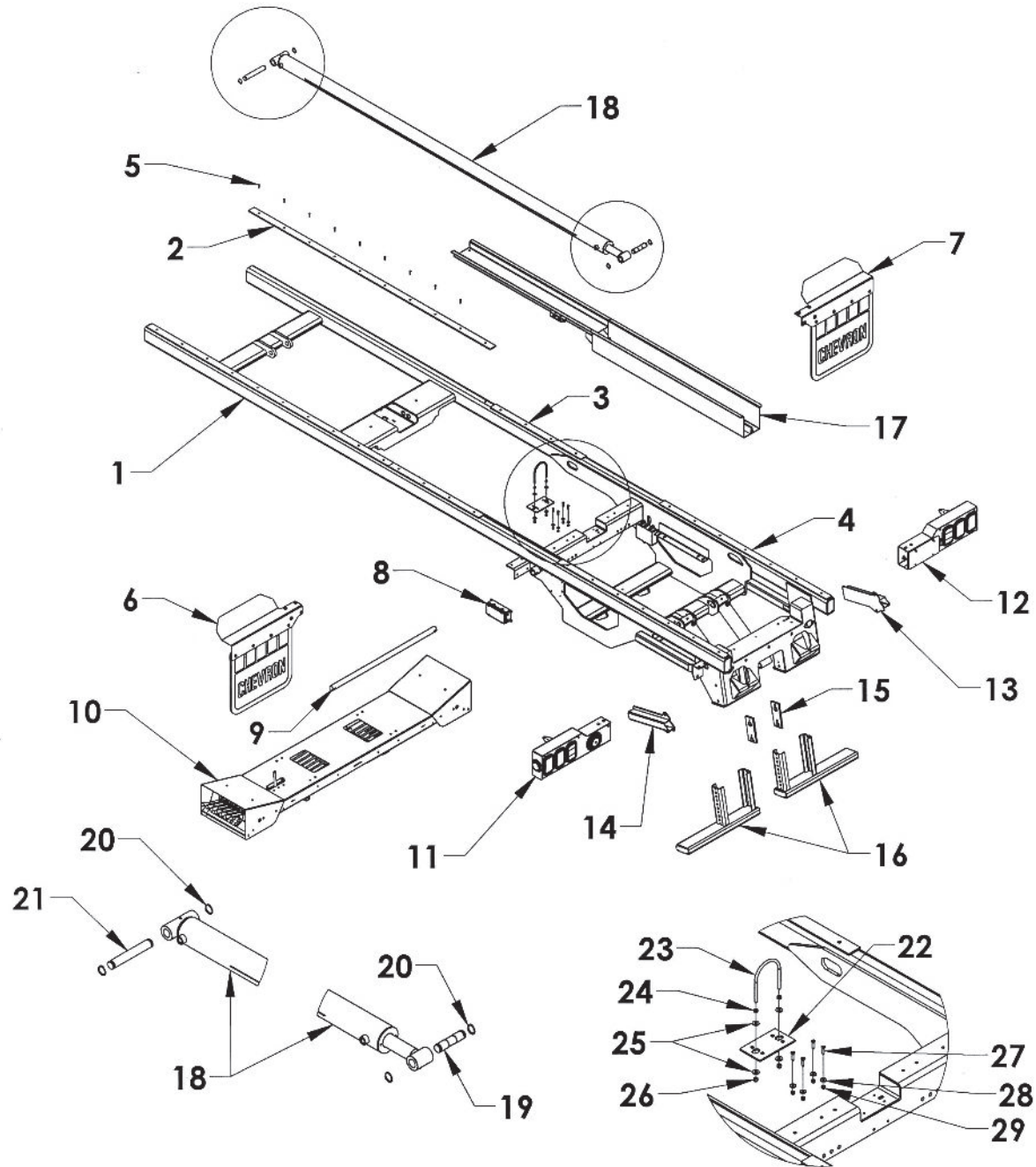
| REF | PART #   | DESCRIPTION                          | QPU       |
|-----|----------|--------------------------------------|-----------|
| 1   | 34B078FL | FRONT REMOVABLE BLADE RAIL - 3 POST  | SEE CHART |
| 2   | 34B084FL | FRONT REMOVABLE BLADE RAIL - 3 POST  | SEE CHART |
| 3   | 34B090FL | FRONT REMOVABLE BLADE RAIL - 3 POST  | SEE CHART |
| 4   | 34B054FL | FRONT REMOVABLE BLADE RAIL - 2 POST  | SEE CHART |
| 5   | 34B066FL | FRONT REMOVABLE BLADE RAIL - 2 POST  | SEE CHART |
| 6   | 34B096ML | MIDDLE REMOVABLE BLADE RAIL - 2 POST | SEE CHART |
| 7   | 34B072ML | MIDDLE REMOVABLE BLADE RAIL - 4 POST | SEE CHART |
| 8   | 34B064RL | REAR REMOVABLE BLADE RAIL - 3 POST   | SEE CHART |

**Section V - PARTS**  
**16 LCG INBOARD TILT CYLINDERS**  
**INTERNAL SADDLES**



| REF | PART #   | DESCRIPTION                 | QPU |
|-----|----------|-----------------------------|-----|
| 1   | 1A9002   | INTERNAL SADDLE             | 1   |
| 2   | 1A821S   | SADDLE SHIM                 | 2   |
| 3   | 1A825    | FRAME MOUNTING BRACKET      | 2   |
| 4   | 1A828A   | INBOARD SADDLE TILT PIN     | 2   |
| 5   | 13068    | PIN - TILT CYLINDER BASE    | 2   |
| 6   | 0750952  | HINGE PIN - 1-1/2 x 41-3/8  | 1   |
| 7   | 0809533  | HINGE ANGLE                 | 1   |
| 8   | 72A35023 | CYLINDER - CARRIER TILT     | 2   |
| 9   | 81451    | BOLT 1/2-20 UNF x 3 GRADE 5 | 2   |
| 10  | 83324    | NYLON LOCK NUT 1/2-20 UNF   | 2   |
| 11  | 84680    | PIN EYE                     | 2   |

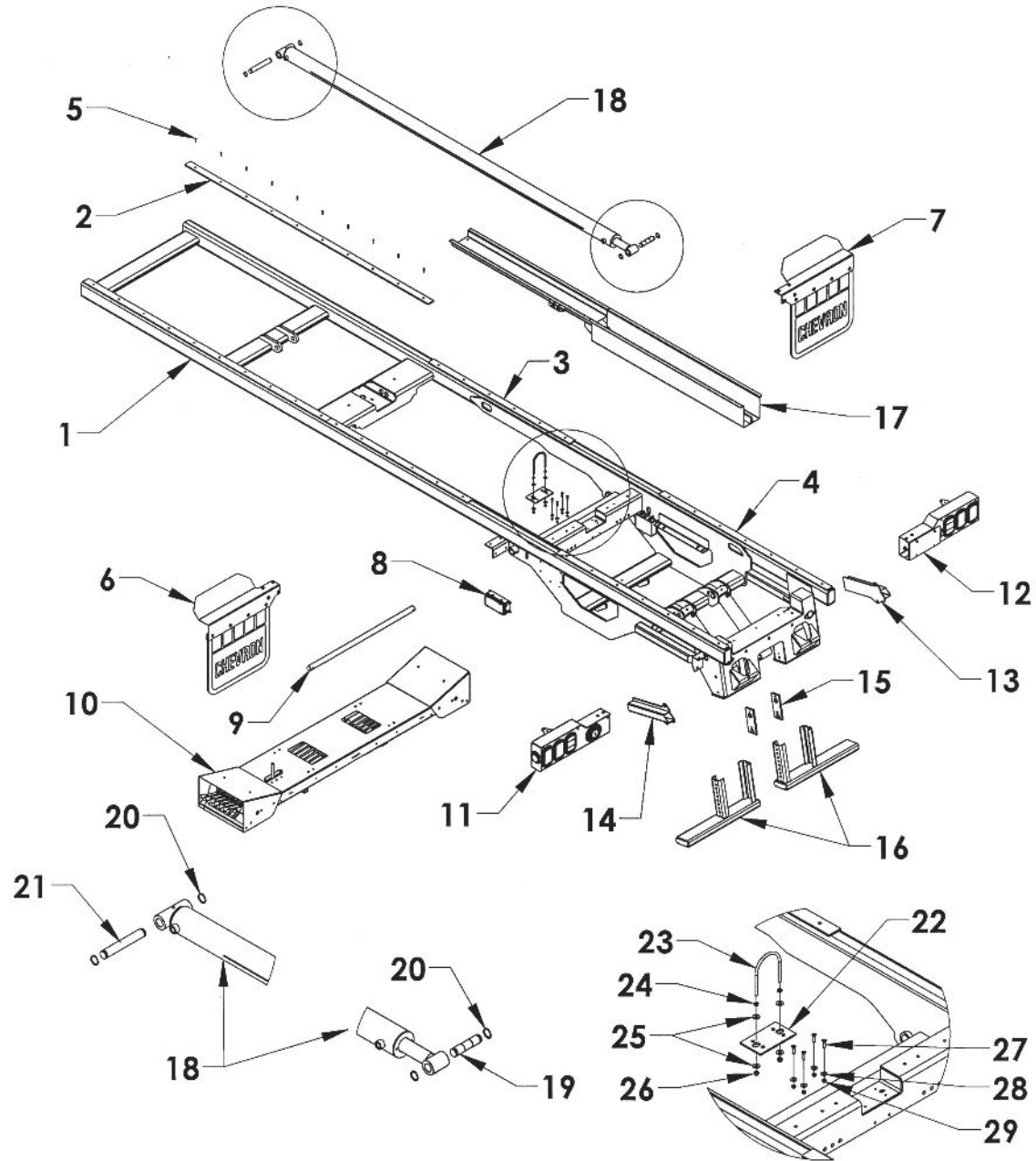
Section V - PARTS  
SERIES 16 LCG SUBFRAME COMPONENTS - 22 FT.



**Section V - PARTS**  
**SERIES 16 LCG 22 FT. SUBFRAME ASSEMBLY**

| REF NO. | NO REQ'D | PART NUMBER | DESCRIPTION                               |
|---------|----------|-------------|---|
| 1       | 1        | 0809796-22  | G2 SUBFRAME WELDMENT                      |
| 2       | 2        | 0308927-96  | SUBFRAME BEARING PAD 5/16 x 2-1/4 x 96    |
| 3       | 2        | 0308927-36  | SUBFRAME BEARING PAD 5/16 x 2-1/4 x 36    |
| 4       | 2        | 0308927-66  | SUBFRAME BEARING PAD 5/16 x 2-1/4 x 66    |
| 5       | 46       | 81007       | BOLT 1/4-20 UNC x 1 - COUNTERSUNK TORX ST |
| 6       | 1        | 0751024L    | ALUM SPLASH GUARD LEFT REAR RIGHT FRONT   |
| 7       | 1        | 0751024R    | ALUM SPLASH GUARD RIGHT REAR LEFT FRONT   |
| 8       | 1        | 0303385     | JUNCTION BOX                              |
| 9       | 1        | 0750952     | S12 LCG HINGE PIN                         |
| 10      | 1        | 183126      | CONTROL STATION                           |
| 11      | 1        | 0940327L    | LCG G2 TAIL LIGHT HOUSING GROUP - LEFT    |
| 12      | 1        | 0940327R    | LCG G2 TAIL LIGHT HOUSING GROUP - RIGHT   |
| 13      | 1        | 0809287R    | L-ARM STORAGE TUBE - RIGHT                |
| 14      | 1        | 0809287L    | L-ARM STORAGE TUBE - LEFT                 |
| 15      | 2        | 0750409     | STABILIZER WHEEL LIFT GUIDE PAD           |
| 16      | 2        | 160525      | STABILIZER EXTENSION STAND-LOW PROFILE    |
| 17      | 1        | 0809824     | LCG DUAL BAY HOSE TRAY                    |
| 18      | 1        | 72A35120    | SLIDEBACK CYLINDER 3.5 BORE x 120 STROKE  |
| 19      | 1        | 32117       | SLIDEBACK CYLINDER MOUNTING PIN 1.230     |
| 20      | 4        | 86125E      | 1-1/4 SNAP RING - EXTERNAL                |
| 21      | 1        | 13302010    | S12 LCG SLIDEBACK CYLINDER MOUNTING PIN   |
| 22      | 1        | 0751223     | CYLINDER SUPPORT PAD                      |
| 23      | 1        | 81286       | U-BOLT 3/8-16 UNC                         |
| 24      | 2        |             | 3/8 HEX NUT                               |
| 25      | 4        |             | 3/8 FLAT WASHER                           |
| 26      | 2        |             | NYLON LOCK NUT 3/8-16 UNC                 |
| 27      | 4        | 81121       | BOLT 5/16-18 UNC - ALLEN COUNTERSUNK      |
| 28      | 4        |             | 5/16 FLAT WASHER                          |
| 29      | 4        |             | NYLON LOCK NUT 5/16-18 UNC                |

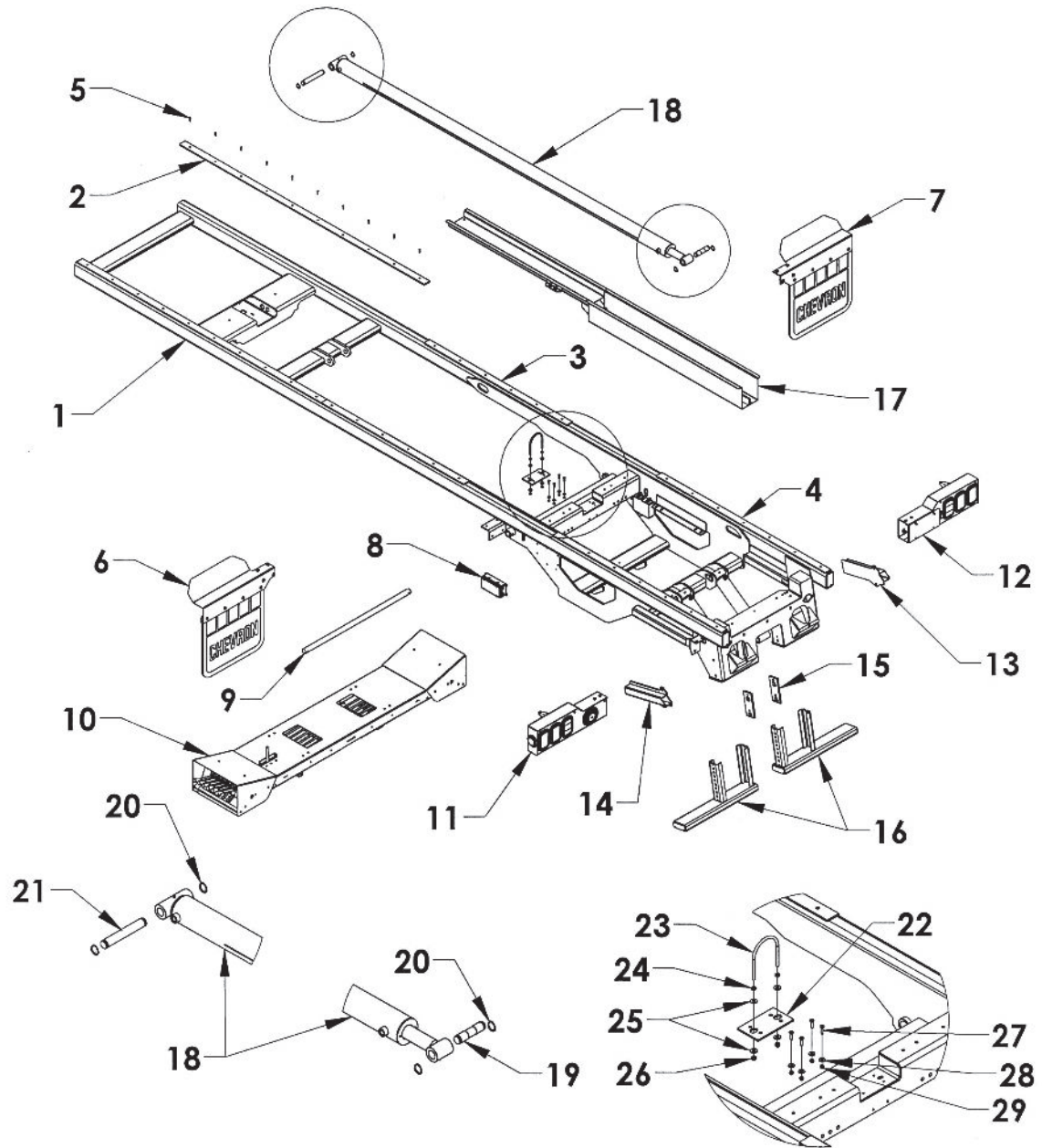
Section V - PARTS  
SERIES 16 LCG 23 FT. SUBFRAME COMPONENTS



**Section V - PARTS**  
**SERIES 16 LCG 23 FT. SUBFRAME ASSEMBLY**

| REF NO. | NO REQ'D | PART NUMBER | DESCRIPTION                               |
|---------|----------|-------------|---|
| 1       | 1        | 0809796-23  | G2 SUBFRAME WELDMENT                      |
| 2       | 2        | 0308927-96  | SUBFRAME BEARING PAD 5/16 x 2-1/4x 96     |
| 3       | 2        | 0308927-56  | SUBFRAME BEARING PAD 5/16 x 2-1/4x 56     |
| 4       | 2        | 0308927-66  | SUBFRAME BEARING PAD 5/16 x 2-1/4 x 66    |
| 5       | 46       | 81007       | BOLT 1/4-20 UNC x 1 - COUNTERSUNK TORX ST |
| 6       | 1        | 0751024L    | ALUM SPLASH GUARD LEFT REAR RIGHT FRONT   |
| 7       | 1        | 0751024R    | ALUM SPLASH GUARD RIGHT REAR LEFT FRONT   |
| 8       | 1        | 0303385     | JUNCTION BOX                              |
| 9       | 1        | 0750952     | S12 LCG HINGE PIN                         |
| 10      | 1        | 183126      | CONTROL STATION                           |
| 11      | 1        | 0940327L    | LCG G2 TAIL LIGHT HOUSING GROUP - LEFT    |
| 12      | 1        | 0940327R    | LCG G2 TAIL LIGHT HOUSING GROUP - RIGHT   |
| 13      | 1        | 0809287R    | L-ARM STORAGE TUBE - RIGHT                |
| 14      | 1        | 0809287L    | L-ARM STORAGE TUBE - LEFT                 |
| 15      | 2        | 0750409     | STABILIZER WHEEL LIFT GUIDE PAD           |
| 16      | 2        | 160525      | STABILIZER EXTENSION STAND-LOW PROFILE    |
| 17      | 1        | 0809824     | LCG DUAL BAY HOSE TRAY                    |
| 18      | 1        | 72A35120    | SLIDEBACK CYLINDER 3.5 BORE x 120 STROKE  |
| 19      | 1        | 32117       | SLIDEBACK CYLINDER MOUNTING PIN 1.230     |
| 20      | 4        | 86125E      | 1-1/4 SNAP RING - EXTERNAL                |
| 21      | 1        | 13302010    | S12 LCG SLIDEBACK CYLINDER MOUNTING PIN   |
| 22      | 1        | 0751223     | CYLINDER SUPPORT PAD                      |
| 23      | 1        | 81286       | U-BOLT 3/8-16 UNC                         |
| 24      | 2        |             | 3/8 HEX NUT                               |
| 25      | 4        |             | 3/8 FLAT WASHER                           |
| 26      | 2        |             | NYLON LOCK NUT 3/8-16 UNC                 |
| 27      | 4        | 81121       | BOLT 5/16-18 UNC - ALLEN COUNTERSUNK      |
| 28      | 4        |             | 5/16 FLAT WASHER                          |
| 29      | 4        |             | NYLON LOCK NUT 5/16-18 UNC                |

Section V - PARTS  
SERIES 16 LCG 24 FT. SUBFRAME COMPONENTS

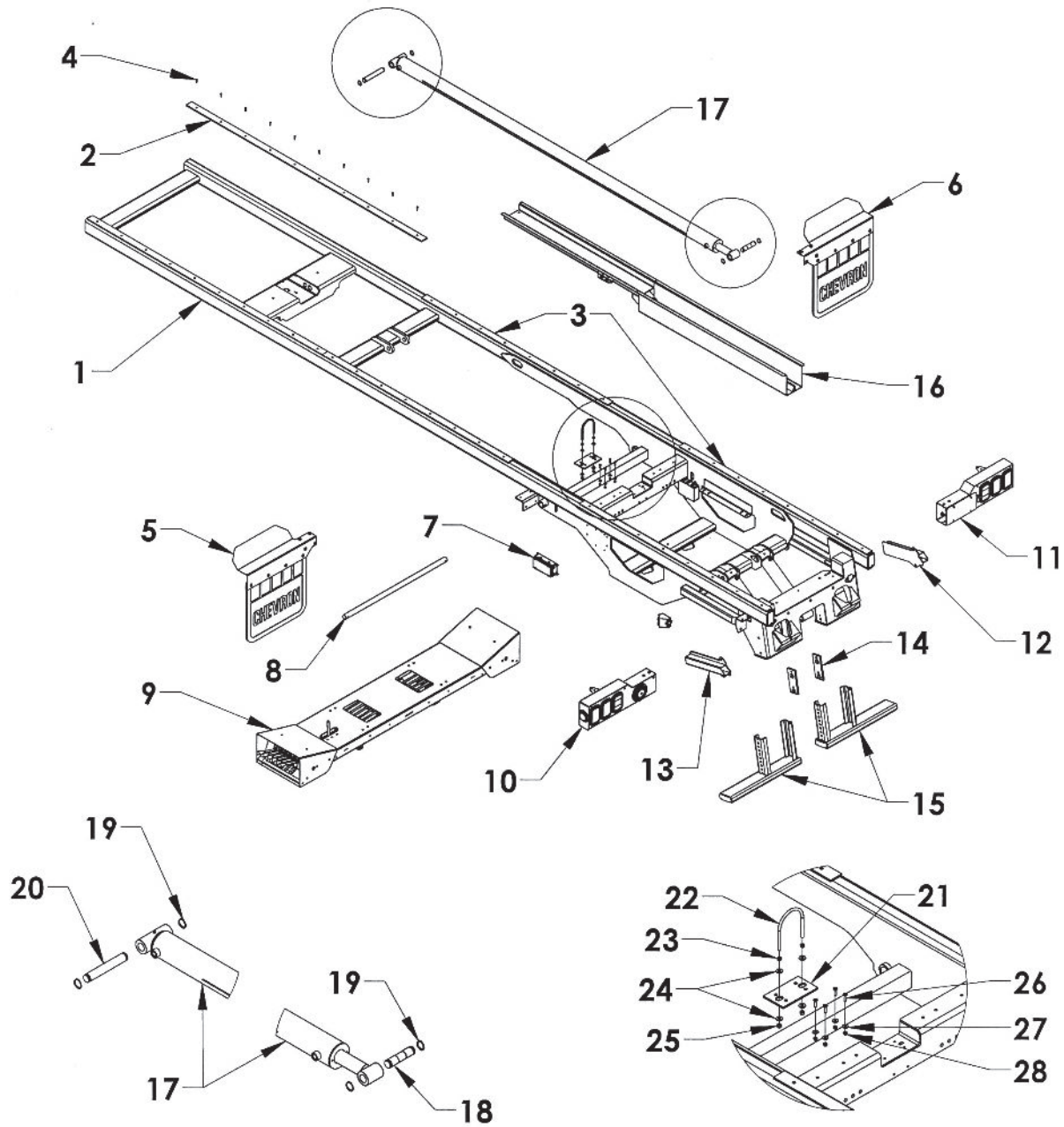


**Section V - PARTS**  
**SERIES 16 LCG 24 FT. SUBFRAME ASSEMBLY**

| REF NO. | NO REQ'D | PART NUMBER | DESCRIPTION                               |
|---------|----------|-------------|---|
| 1       | 1        | 0809796-24  | G2 SUBFRAME WELDMENT                      |
| 2       | 2        | 0308927-96  | SUBFRAME BEARING PAD 5/16 x 2-1/4x 96     |
| 3       | 2        | 0308927-56  | SUBFRAME BEARING PAD 5/16 x 2-1/4x 56     |
| 4       | 2        | 0308927-66  | SUBFRAME BEARING PAD 5/16 x 2-1/4 x 66    |
| 5       | 46       | 81007       | BOLT 1/4-20 UNC x 1 - COUNTERSUNK TORX ST |
| 6       | 1        | 0751024L    | ALUM SPLASH GUARD LEFT REAR RIGHT FRONT   |
| 7       | 1        | 0751024R    | ALUM SPLASH GUARD RIGHT REAR LEFT FRONT   |
| 8       | 1        | 0303385     | JUNCTION BOX                              |
| 9       | 1        | 0750952     | S12 LCG HINGE PIN                         |
| 10      | 1        | 183126      | CONTROL STATION                           |
| 11      | 1        | 0940327L    | LCG G2 TAIL LIGHT HOUSING GROUP - LEFT    |
| 12      | 1        | 0940327R    | LCG G2 TAIL LIGHT HOUSING GROUP - RIGHT   |
| 13      | 1        | 0809287R    | L-ARM STORAGE TUBE - RIGHT                |
| 14      | 1        | 0809287L    | L-ARM STORAGE TUBE - LEFT                 |
| 15      | 2        | 0750409     | STABILIZER WHEEL LIFT GUIDE PAD           |
| 16      | 2        | 160525      | STABILIZER EXTENSION STAND-LOW PROFILE    |
| 17      | 1        | 0809824     | LCG DUAL BAY HOSE TRAY                    |
| 18      | 1        | 72A35120    | SLIDEBACK CYLINDER 3.5 BORE x 120 STROKE  |
| 19      | 1        | 32117       | SLIDEBACK CYLINDER MOUNTING PIN 1.230     |
| 20      | 4        | 86125E      | 1-1/4 SNAP RING - EXTERNAL                |
| 21      | 1        | 13302010    | S12 LCG SLIDEBACK CYLINDER MOUNTING PIN   |
| 22      | 1        | 0751223     | CYLINDER SUPPORT PAD                      |
| 23      | 1        | 81286       | U-BOLT 3/8-16 UNC                         |
| 24      | 2        |             | 3/8 HEX NUT                               |
| 25      | 4        |             | 3/8 FLAT WASHER                           |
| 26      | 2        |             | NYLON LOCK NUT 3/8-16 UNC                 |
| 27      | 4        | 81121       | BOLT 5/16-18 UNC - ALLEN COUNTERSUNK      |
| 28      | 4        |             | 5/16 FLAT WASHER                          |
| 29      | 4        |             | NYLON LOCK NUT 5/16-18 UNC                |



Section V - PARTS  
SERIES 16 LCG 26 FT. SUBFRAME COMPONENTS

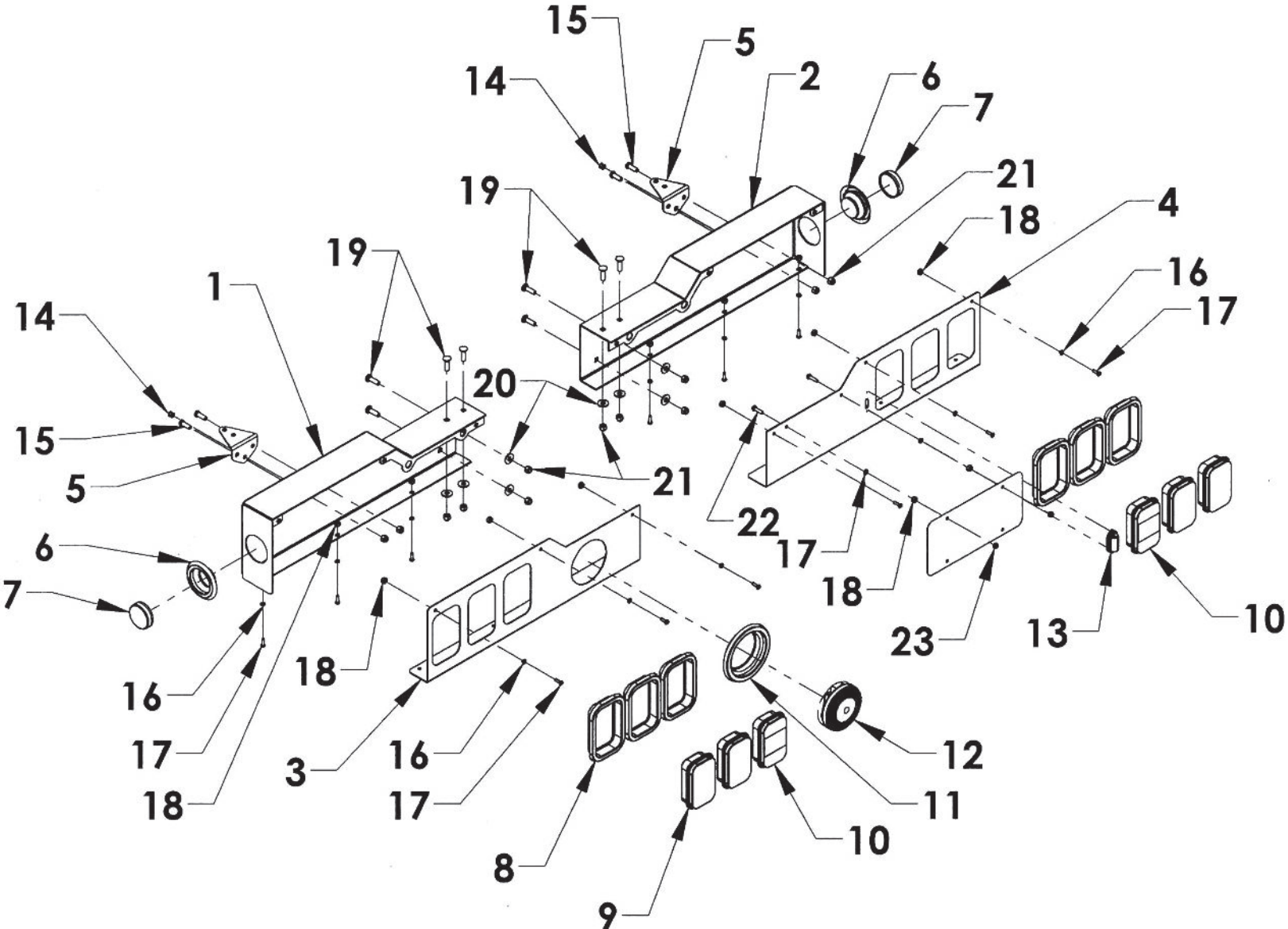




**Section V - PARTS**  
**SERIES 16 LCG 26 FT. SUBFRAME ASSEMBLY**

| REF NO. | NO REQ'D | PART NUMBER | DESCRIPTION                               |
|---------|----------|-------------|---|
| 1       | 1        | 0809796-26  | G2 SUBFRAME WELDMENT                      |
| 2       | 2        | 0308927-96  | SUBFRAME BEARING PAD 5/16 x 2-1/4x 96     |
| 3       | 4        | 0308927-76  | SUBFRAME BEARING PAD 5/16 x 2-1/4x 76     |
| 4       | 46       | 81007       | BOLT 1/4-20 UNC x 1 - COUNTERSUNK TORX ST |
| 5       | 1        | 0751024L    | ALUM SPLASH GUARD LEFT REAR RIGHT FRONT   |
| 6       | 1        | 0751024R    | ALUM SPLASH GUARD RIGHT REAR LEFT FRONT   |
| 7       | 1        | 0303385     | JUNCTION BOX                              |
| 8       | 1        | 0750952     | S12 LCG HINGE PIN                         |
| 9       | 1        | 183126      | CONTROL STATION                           |
| 10      | 1        | 0940327L    | LCG G2 TAIL LIGHT HOUSING GROUP - LEFT    |
| 11      | 1        | 0940327R    | LCG G2 TAIL LIGHT HOUSING GROUP - RIGHT   |
| 12      | 1        | 0809287R    | L-ARM STORAGE TUBE - RIGHT                |
| 13      | 1        | 0809287L    | L-ARM STORAGE TUBE - LEFT                 |
| 14      | 2        | 0750409     | STABILIZER WHEEL LIFT GUIDE PAD           |
| 15      | 2        | 160525      | STABILIZER EXTENSION STAND-LOW PROFILE    |
| 16      | 1        | 0809824     | LCG DUAL BAY HOSE TRAY                    |
| 17      | 1        | 72A35120    | SLIDEBACK CYLINDER 3.5 BORE x 120 STROKE  |
| 18      | 1        | 32117       | SLIDEBACK CYLINDER MOUNTING PIN 1.230     |
| 19      | 4        | 86125E      | 1-1/4 SNAP RING - EXTERNAL                |
| 20      | 1        | 13302010    | S12 LCG SLIDEBACK CYLINDER MOUNTING PIN   |
| 21      | 1        | 0751223     | CYLINDER SUPPORT PAD                      |
| 22      | 1        | 81286       | U-BOLT 3/8-16 UNC                         |
| 23      | 2        |             | 3/8 HEX NUT                               |
| 24      | 4        |             | 3/8 FLAT WASHER                           |
| 25      | 2        |             | NYLON LOCK NUT 3/8-16 UNC                 |
| 26      | 4        | 81121       | BOLT 5/16-18 UNC - ALLEN COUNTERSUNK      |
| 27      | 4        |             | 5/16 FLAT WASHER                          |
| 28      | 4        |             | NYLON LOCK NUT 5/16-18 UNC                |

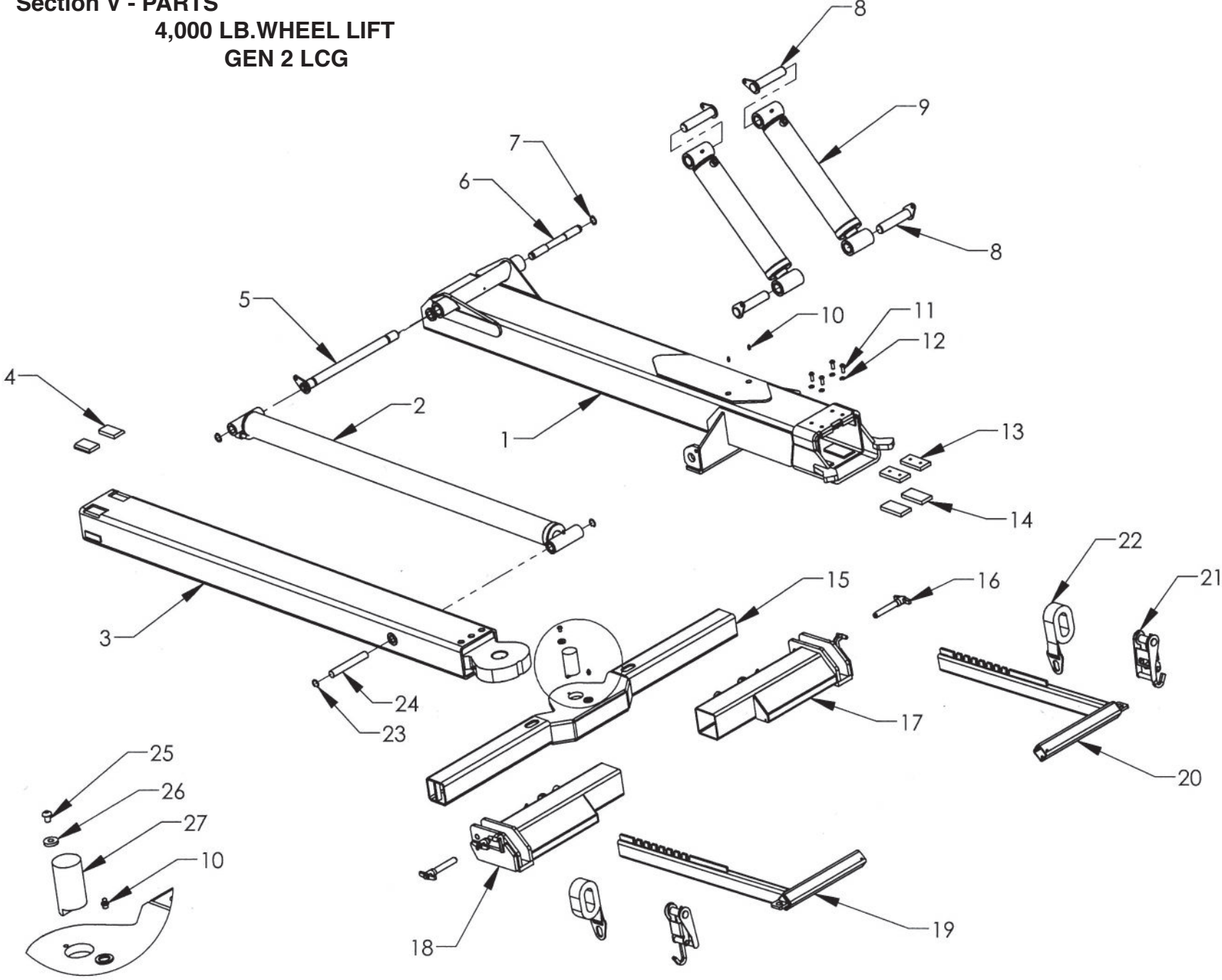
Section V - PARTS  
SERIES 16 LCG TAIL LIGHT COMPONENTS



**Section V - PARTS**  
**TAIL LIGHT COMPONENTS**

| REF | PART #   | DESCRIPTION                              | QPU |
|-----|----------|--|-----|
| 1   | 0809517L | TAIL LIGHT HOUSING WELDMENT - LEFT       | 1   |
| 2   | 0809517R | TAIL LIGHT HOUSING WELDMENT - RIGHT      | 1   |
| 3   | 196152L  | 12/16/20 LCG TAIL LIGHT BEZEL - LEFT G2  | 1   |
| 4   | 196152R  | 12/16/20 LCG TAIL LIGHT BEZEL - RIGHT G2 | 1   |
| 5   | 0750672  | WORK LIGHT MOUNTING BRACKET              | 2   |
| 6   | 0311516  | 2-1/2 IN. MARKER LIGHT GROMMET           | 2   |
| 7   | 0311512  | 2-1/2 IN. RED MARKER LIGHT               | 2   |
| 8   | 0311511  | CARRIER TAIL LIGHT GROMMET               | 6   |
| 9   | 0311507  | RECTANGULAR RED LIGHT                    | 4   |
| 10  | 0311510  | CARRIER BACK UP LIGHT                    | 2   |
| 11  | 0311528  | BACK UP ALARM GROMMET                    | 1   |
| 12  | 0306385  | BACK UP ALARM                            | 1   |
| 13  | 0311525  | LICENSE PLATE LIGHT                      | 1   |
| 14  | 0306050  | TAIL LIGHT WIRE GROMMET                  | 2   |
| 15  | -        | BOLT, HHCS 3/8-16 UNC x 1                | 4   |
| 16  | -        | LOCK WASHER - 1/4                        | 14  |
| 17  | -        | BOLT, RHMS 1/4-20 UNC x 3/4              | 12  |
| 18  | -        | HEX NUT 1/4-20 UNC                       | 14  |
| 19  | -        | BOLT, CARRIAGE 3/8-16 UNC x 1-1/4 SS     | 8   |
| 20  | -        | FLAT WASHER - 3/8                        | 8   |
| 21  | -        | NYLON LOCK NUT 3/8-16 UNC                | 12  |
| 22  | -        | BOLT, HHCS 1/4-20 UNC x 1                | 2   |
| 23  | -        | NYLON LOCK NUT 1/4-20 UNC                | 2   |

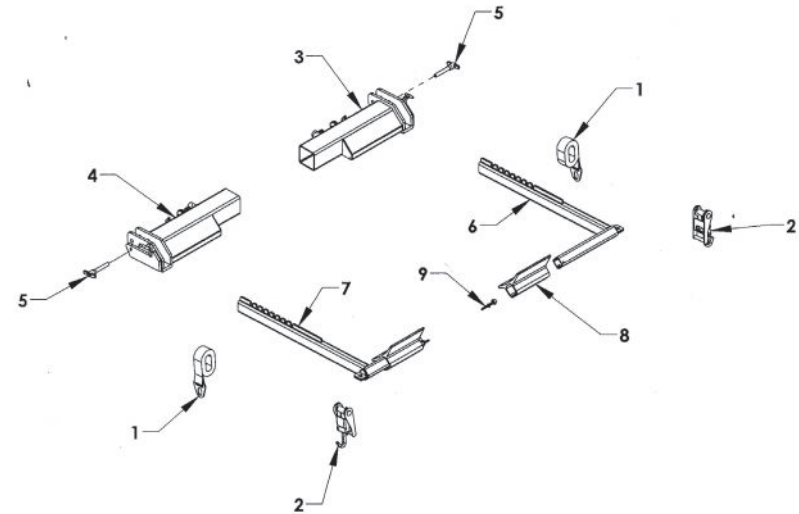
**Section V - PARTS**  
**4,000 LB. WHEEL LIFT**  
**GEN 2 LCG**



**Section V - PARTS**  
**4,000 LB. WHEEL LIFT - GEN 2**

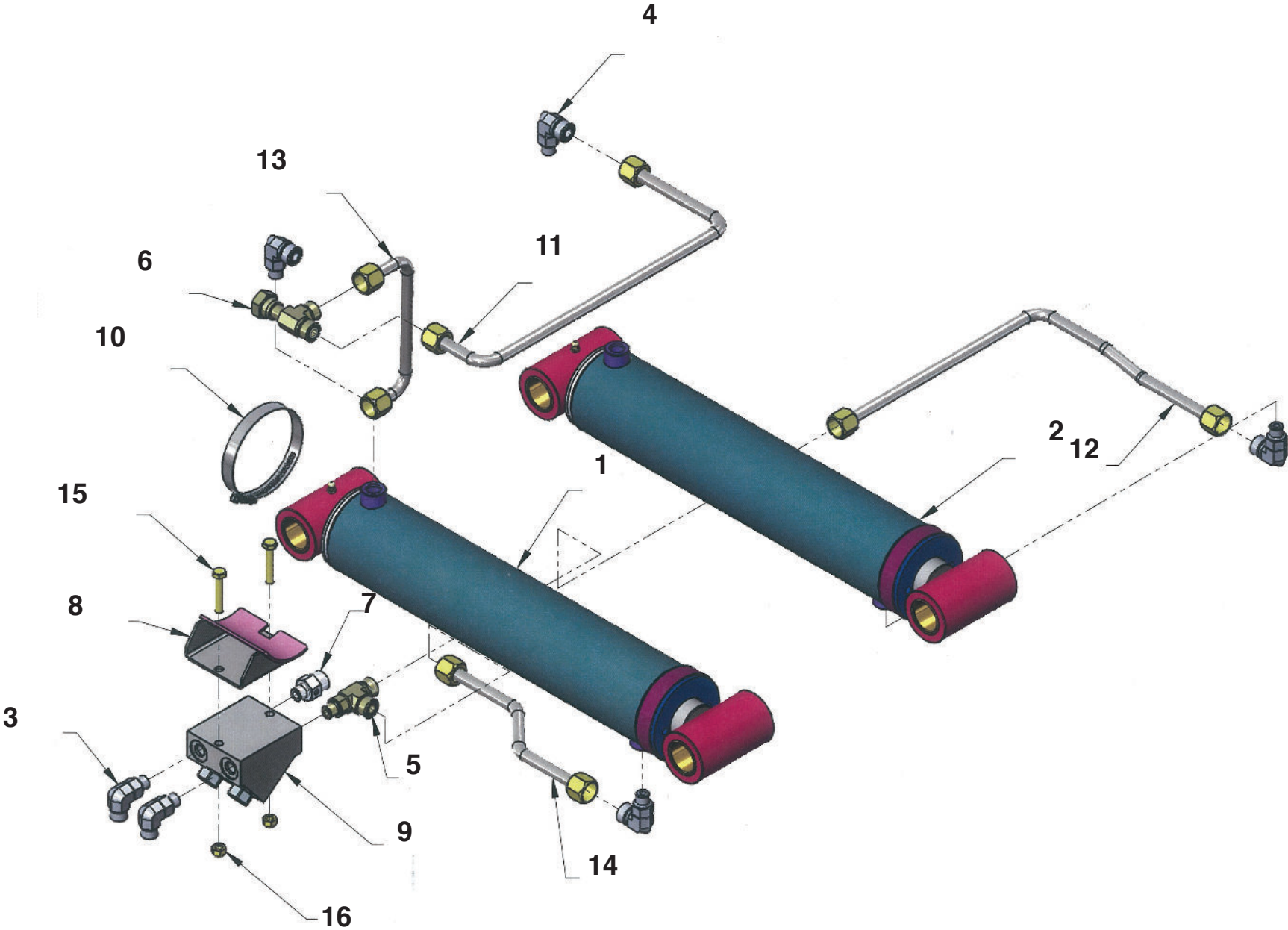
| REF. NO. | NO. REQ'D | PART NUMBER | DESCRIPTION                                       |
|----------|-----------|-------------|---|
| 1        | 1         | 10270408    | WHEEL LIFT OUTER BOOM TUBE - 4K                   |
| 2        | 1         | 72A30054    | WHEEL LIFT EXTEND CYLINDER 3.0 x 54               |
| 3        | 1         | 102404      | 4K INNER BOOM WELDMENT                            |
| 4        | 2         | 65613       | WEAR PAD 1/2 x 2 x 3 NSM BEVELED                  |
| 5        | 1         | 0809411U    | WHEEL LIFT BOOM HINGE PIN                         |
| 6        | 1         | 729352      | PIN -CARRIER W/L EXTEND CYLINDER BASE             |
| 7        | 2         | 86100E      | SNAP RING 1" EXTERNAL                             |
| 8        | 4         | 14710       | KEEPER PIN 1.23 x 5.50                            |
| 9        | 2         | 72A33013    | LIFT CYLINDER 3.25 x 1.75 x 13.00                 |
| 10       | 3         | 7B130       | GREASE FITTING 1/4-28                             |
| 11       | 4         |             | BOLT, BHCS 3/8-16 UNC x 1                         |
| 12       | 4         |             | LOCK WASHER 3/8"                                  |
| 13       | 2         | 63595H      | WEAR PAD NYLATRON NSM 1/2 x 2 x 4 WITH HOLES      |
| 14       | 2         | 63595       | WEAR PAD NYLATRON NSM 1/2 x 2 x 4                 |
| 15       | 1         | 65515       | CROSSBAR WELDMENT                                 |
| 16       | 2         | 84922       | T-PIN 3/4 x 3-1/2 QUICKPIN                        |
| 17       | 1         | 65267R      | WHEEL GRID - RIGHT                                |
| 18       | 1         | 65267L      | WHEEL GRID - LEFT                                 |
| 19       | 1         | 65250L      | 4000 LB. L-ARM - LEFT                             |
| 20       | 1         | 65250R      | 4000 LB. L-ARM - RIGHT                            |
| 21       | 2         | 65280A      | RATCHET ASSEMBLY                                  |
| 22       | 2         | 65285       | CHAIN BOX BCK PLATE - LFT WHEEL STRP W/D RING YLW |
| 23       | 2         | 86100I      | SNAP RING 1" INTERNAL                             |
| 24       | 1         | 72940       | CYLINDER PIN 0.980 x 6-5./8                       |
| 25       | 1         |             | BOLT - BHCS 3/8-16 UNC x 1/2                      |
| 26       | 1         | 82216       | WASHER 3/8 I.D. x 1 O.D.                          |
| 27       | 1         | 65435       | CROSSBAR PIVOT PIN                                |

**Section V - PARTS**  
**WHEEL LIFT RELEASABLE L-ARMS**



| REF. NO. | NO. REQ'D | PART NUMBER | DESCRIPTION                          |
|----------|-----------|-------------|--------------------------------------|
| 1        | 2         | 65285       | WHEEL STRAP WITH D-RING - YELLOW     |
| 2        | 2         | 65280A      | WHEEL LIFT RATCHET AND HOOK ASSEMBLY |
| 3        | 1         | 65265R      | WHEEL GRID - RIGHT                   |
| 4        | 1         | 65265L      | WHEEL GRID - LEFT                    |
| 5        | 2         | 84921       | T-PIN WITH LANYARD                   |
| 6        | 1         | 65250R      | 4000 LB. L-ARM RIGHT                 |
| 7        | 1         | 65250L      | 4000 LB. L-ARM LEFT                  |
| 8        | 2         | 65245       | REMOVABLE PAN                        |
| 9        | 2         | 84911       | 5/16 SAFETY SNAP PIN                 |

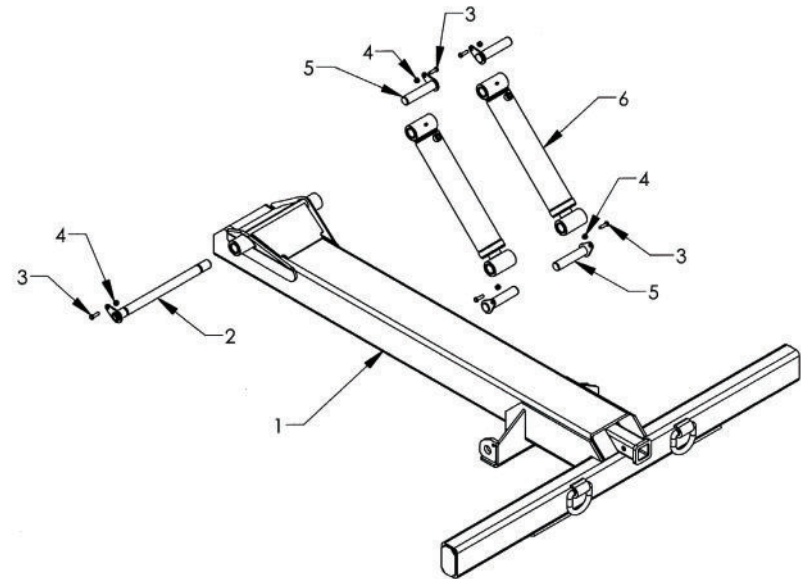
**Section V - PARTS**  
**UNDERLIFT CYLINDER FLUID TUBE GROUP**



**Section V - PARTS**  
**UNDERLIFT CYLINDER FLUID**  
**TUBE GROUP**

| REF. NO. | NO. REQ'D | PART NUMBER        | DESCRIPTION                           |
|----------|-----------|--------------------|---------------------------------------|
| 1        | 1         | 72A33013           | LIFT CYLINDER 3.25 x 1.75 x 13.00     |
| 2        | 1         | 72A39013           | LIFT CYLINDER 3.25 x 1.75 x 13.00     |
| 3        | 2         | ADPTR-FF1868T06065 | ADAPTER 90 ORS/ORB 6 x 6              |
| 4        | 4         | ADPTR-FF1868T08065 | ADAPTER 90 ORS/ORB 8 x 6              |
| 5        | 1         | ADPTR-FF1865T08065 | ADAPTER TEE ORS/ORB 8 x 8 x 6         |
| 6        | 1         | ADPTR-FF2114T08085 | ADAPTER TEE ORS 8 x 8                 |
| 7        | 1         | ADPTR-FF1852T0806  | ADAPTER STRAIGHT ORS/ORB 8 x 6        |
| 8        | 1         | 0809875-325        | UNDERLIFT VALVE MOUNTING BRACKET      |
| 9        | 1         | 74345              | DUAL COUNTERBALANCE VALVE CBCG-XVN    |
| 10       | 1         | 85164              | HOSE CLAMP 3-3.5 STAINLESS 316        |
| 11       | 1         | 72H33013L2         | UNDERLIFT FLUID TUBE ASSEMBLY - LEFT  |
| 12       | 1         | 72H33013L1         | UNDERLIFT FLUID TUBE ASSEMBLY - LEFT  |
| 13       | 1         | 72H33013R2         | UNDERLIFT FLUID TUBE ASSEMBLY - RIGHT |
| 14       | 1         | 72H33013R1         | UNDERLIFT FLUID TUBE ASSEMBLY - RIGHT |
| 15       | 2         | BOLT-HX-0312X1750  | 5/16 x 1-3/4 HEX BOLT                 |
| 16       | 2         | 7A528W             | NYLON LOCK NUT 5/16-18 UNC            |

**Section V - PARTS**  
**DOCK STABILIZER**

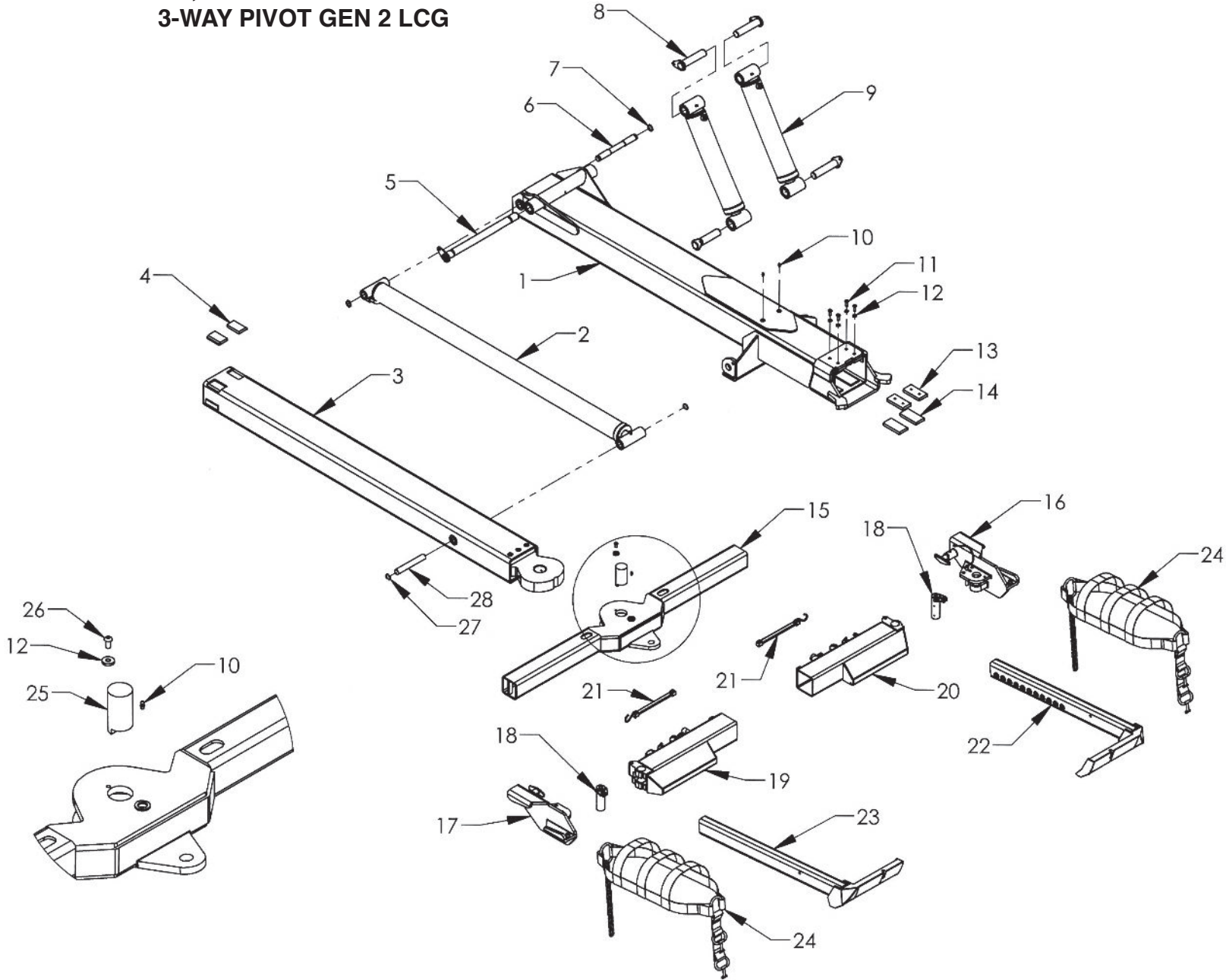


| REF. NO. | NO. REQ'D | PART NUMBER | DESCRIPTION                      |
|----------|-----------|-------------|----------------------------------|
| 1        | 1         | 0810010-12  | DOCK STABILIZER WELDMENT         |
| 2        | 1         | 0809411U    | WHEEL LIFT BOOM HINGE PIN        |
| 3        | 5         |             | BOLT HHCS, 3/8-16 UNC x 1-1/4    |
| 4        | 5         |             | NYLON LOCK NUT, 3/8-16 UNC       |
| 5        | 4         | 14710       | KEEPER PIN 1.23 x 5.50           |
| 6        | 2         | 72A33013    | LIFT CYLINDER 3/25 x 1.75 x 13.0 |



**Section V - PARTS**

**4,000 LB.WHEEL LIFT  
3-WAY PIVOT GEN 2 LCG**

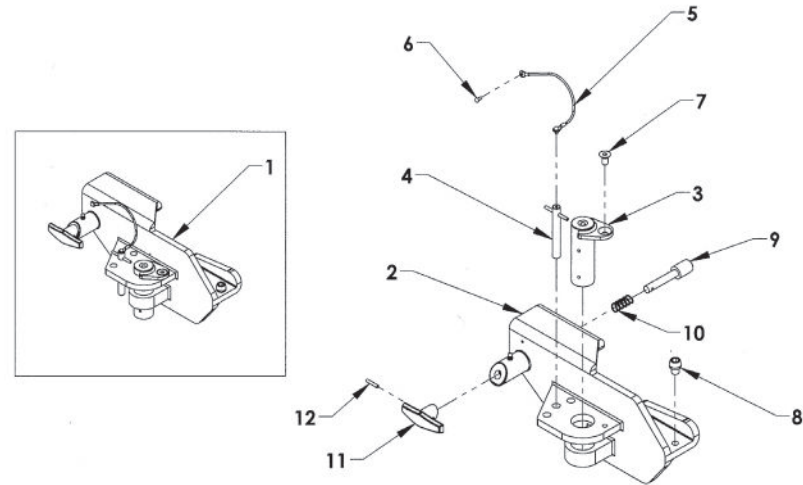




**Section V - PARTS**  
**4,000 LB. WHEEL LIFT**  
**3-WAY PIVOT GEN 2**

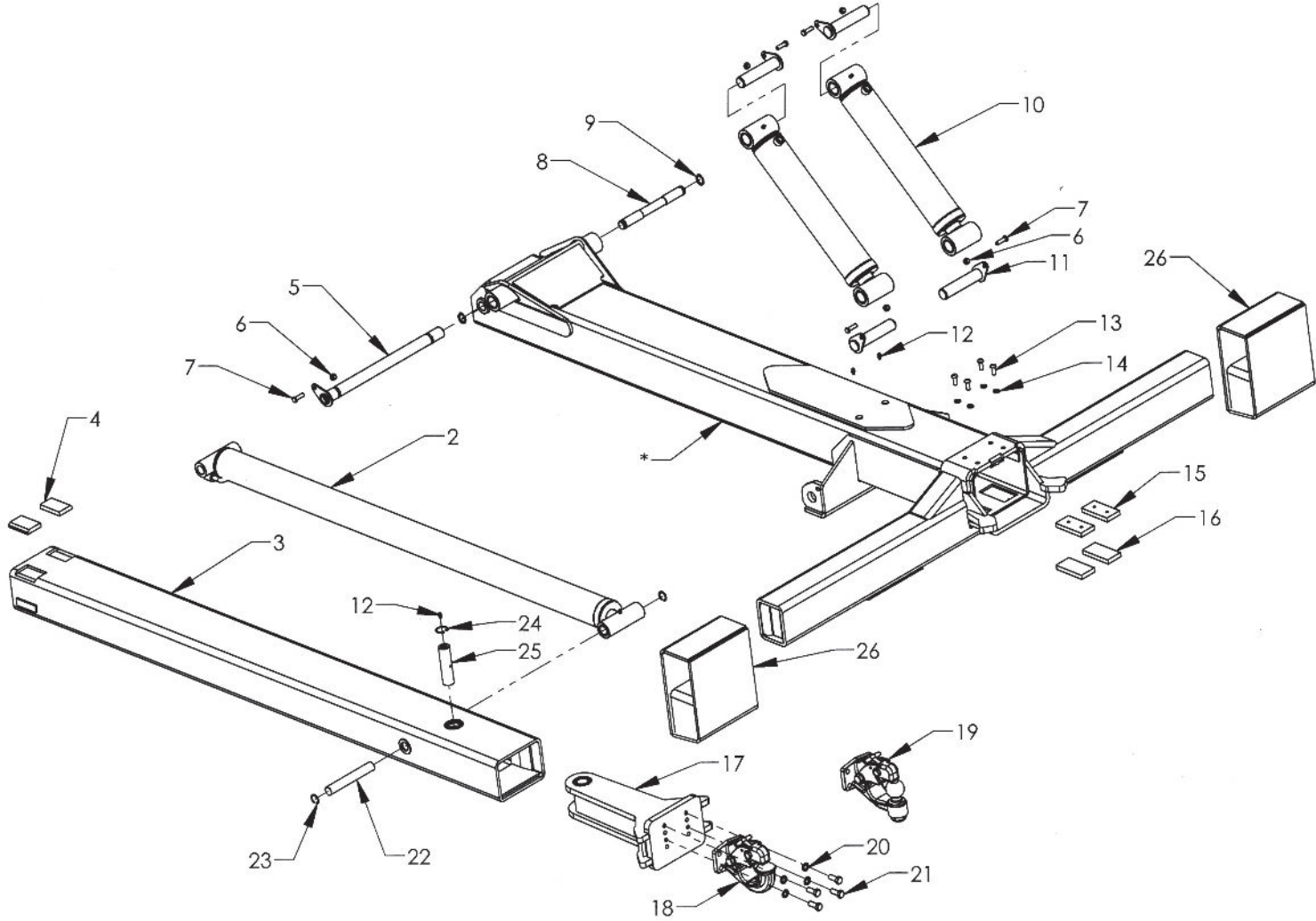
| REF. NO. | NO. REQ'D | PART NUMBER | DESCRIPTION                                  |
|----------|-----------|-------------|--|
| 1        | 1         | 10270408    | WHEEL LIFT OUTER BOOM TUBE - 4K              |
| 2        | 1         | 72A30054    | WHEEL LIFT EXTEND CYLINDER 3.0 x 54          |
| 3        | 1         | 102404      | 4K INNER BOOM WELDMENT                       |
| 4        | 2         | 65613       | WEAR PAD 1/2 x 2 x 3 NSM BEVELED             |
| 5        | 1         | 0809411U    | WHEEL LIFT BOOM HINGE PIN                    |
| 6        | 1         | 729352      | PIN -CARRIER W/L EXTEND CYLINDER BASE        |
| 7        | 2         | 86100E      | SNAP RING 1" EXTERNAL                        |
| 8        | 4         | 14710       | KEEPER PIN 1.23 x 5.50                       |
| 9        | 2         | 72A33013    | LIFT CYLINDER 3.25 x 1.75 x 13.00            |
| 10       | 3         |             | GREASE FITTING 1/4-28                        |
| 11       | 4         |             | BOLT, BHCS 3/8-16 UNC x 1                    |
| 12       | 5         |             | LOCK WASHER 3/8"                             |
| 13       | 2         | 63595H      | WEAR PAD NYLATRON NSM 1/2 x 2 x 4 WITH HOLES |
| 14       | 2         | 63595       | WEAR PAD NYLATRON NSM 1/2 x 2 x 4            |
| 15       | 1         | 655152      | CROSSBAR WELDMENT                            |
| 16       | 1         | 659821R     | PIVOT L-ARM RECEIVER - RIGHT                 |
| 17       | 1         | 659821L     | PIVOT L-ARM RECEIVER - LEFT                  |
| 18       | 2         | 659822      | L-ARM PIVOT PIN                              |
| 19       | 1         | 659811L     | PIVOT WHEEL GRID - LEFT                      |
| 20       | 1         | 659811R     | PIVOT WHEEL GRID - RIGHT                     |
| 21       | 2         | AA009G      | RUBBER TENSION STRAP WITH S-HOOK             |
| 22       | 1         | 659830R     | 3-WAY PIVOT L-ARM - RIGHT                    |
| 23       | 1         | 659830L     | 3-WAY PIVOT L-ARM - LEFT                     |
| 24       | 2         | 65286       | BASKET STRAP - CAR                           |
|          | 2         | 65287       | BASKET STRAP - TRUCK                         |
| 25       | 1         | 65435       | CROSSBAR PIVOT PIN                           |
| 26       | 1         |             | BOLT - HEX 3/8-16 x 3/4                      |
| 27       | 2         | 86100I      | SNAP RING 1" INTERNAL                        |
| 28       | 1         | 72940       | CYLINDER PIN 0.980 x 6-5/8                   |

**Section V - PARTS**  
**PIVOT L-ARM RECEIVER GROUP**



| REF. NO. | NO. REQ'D | PART NUMBER | DESCRIPTION                                 |
|----------|-----------|-------------|---|
| 1        | 1         | 659820L     | PIVOT L-ARM RECEIVER GROUP-LEFT             |
|          | 1         | 659820R     | PIVOT L-ARM RECEIVER GROUP-RIGHT (SHOWN)    |
| 2        | 1         | 659821L     | PIVOT L-ARM RECEIVER CASTING - LEFT         |
|          | 1         | 659821R     | PIVOT L-ARM RECEIVER CASTING-RHT (SHOWN)    |
| 3        | 1         | 659822      | L-ARM RECEIVER CASTING PIVOT PIN            |
| 4        | 1         | 659826      | PIVOT LOCK PIN                              |
| 5        | 1         | 659827      | LANYARD                                     |
| 6        | 1         | 85016       | RIVET                                       |
| 7        | 1         | 81225       | FLAT HEAD SOCKET CAP SCREW 3/8-16 UNC x 1/2 |
| 8        | 1         | 81226       | TAPERED SOCKET CAP SCREW 1/2-13 UNC x 1/2   |
| 9        | 1         | 659824      | 7/8 CAM PIN                                 |
| 10       | 1         | 89100       | CAM PIN SPRING                              |
| 11       | 1         | 659825      | T-HANDLE                                    |
| 12       | 1         | 84675       | ROLL PIN 3/16 x 1                           |

Section V - PARTS  
PIVOTING PINTLE - GEN 2 LCG

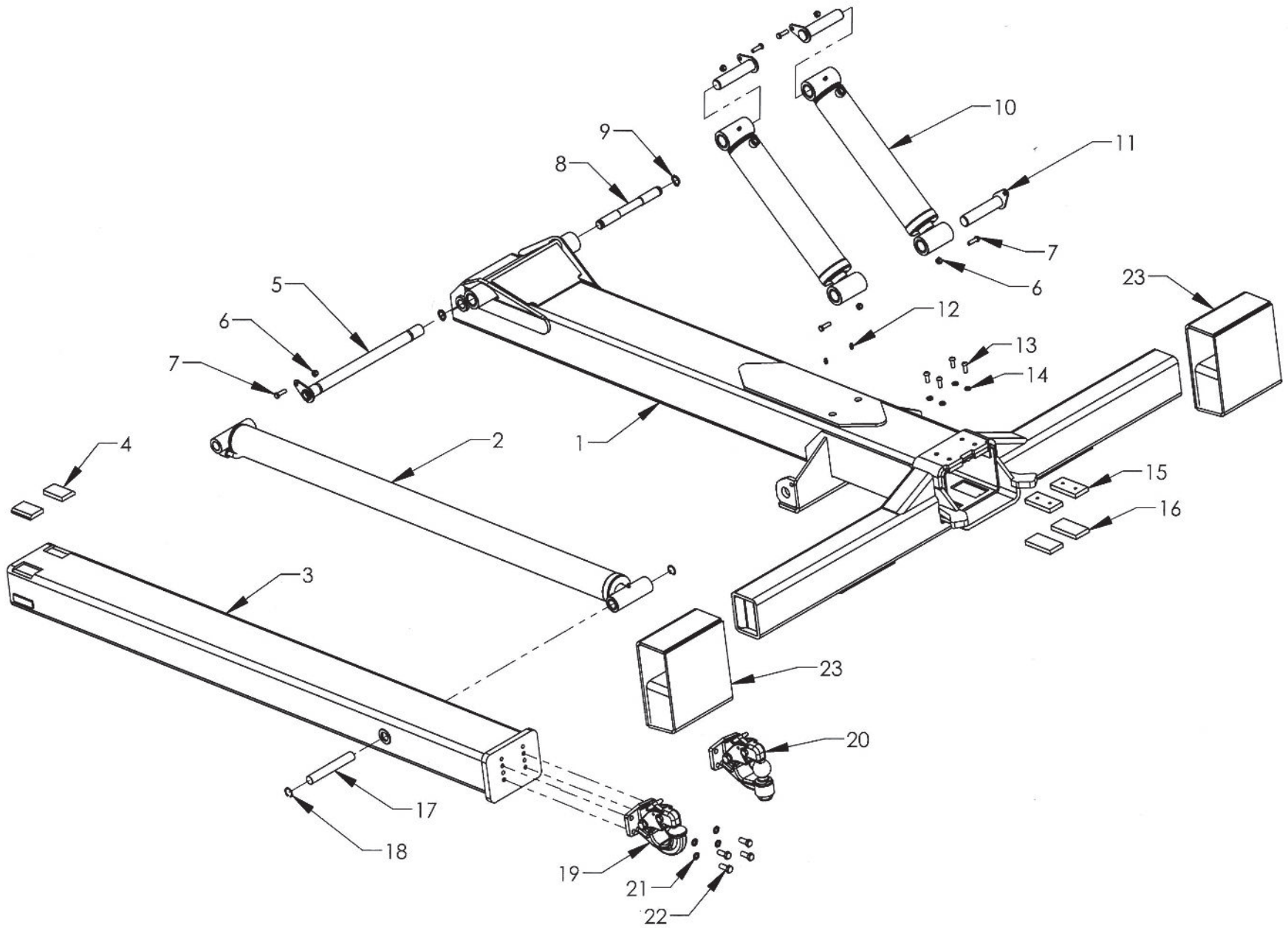


**Section V - PARTS**

**PIVOTING PINTLE - GEN 2 LCG**

| REF. NO. | NO. REQ'D | PART NUMBER | DESCRIPTION                                  |
|----------|-----------|-------------|--|
| 1        | 1         | 10270408    | WHEEL LIFT BOOM-CHEVRON GEN3 4K              |
| 2        | 1         | 72A30054    | WHEEL LIFT EXTEND CYLINDER 3.0 x 54          |
| 3        | 1         | 102404-PP   | 4K INNER BOOM - PIVOTING PINTLE              |
| 4        | 2         | 65613       | WEAR PAD 1/2 x 2 x 3 NSM BEVELED             |
| 5        | 1         | 0809411U    | WHEEL LIFT BOOM HINGE PIN                    |
| 6        | 5         |             | NYLON LOCK NUT 3/8-16 UNC                    |
| 7        | 5         |             | BOLT, HHCS 3/8-16 UNC x 1-1/4                |
| 8        | 1         | 729352      | PIN-CARRIER WHEEL LIFT EXTEND CYLINDER BASE  |
| 9        | 2         | 86100E      | SNAP RING 1" EXTERNAL                        |
| 10       | 2         | 72A33013    | LIFT CYLINDER 3.25 x 1.75 x 13.00            |
| 11       | 4         | 14710       | KEEPER PIN 1.23 x 5.50                       |
| 12       | 3         | 7B130       | GREASE FITTING 1/4-28 UNF                    |
| 13       | 4         |             | BOLT, BHCS 3/8-16 UNC x 1                    |
| 14       | 4         |             | LOCK WASHER 3/8"                             |
| 15       | 2         | 63595H      | WEAR PAD NYLATRON NSM 1/2 x 2 x 4 WITH HOLES |
| 16       | 2         | 63595       | WEAR PAD NYLATRON NSM 1/2 x 2 x 4            |
| 17       | 1         | 143355      | PIVOTING PINTLE HEAD WELDMENT 4K             |
| 18       | 1         | A3020H      | PINTLE HOOK ATTACHMENT                       |
| 19       | 1         | A3020       | PINTLE BALL ATTACHMENT                       |
| 20       | 4         |             | LOCK WASHER 1/2"                             |
| 21       | 4         |             | BOLT, HHCS 1/2-13 UNCE x 1-1/4               |
| 22       | 1         | 72940       | CYLINDER PIN                                 |
| 23       | 2         | 86100I      | SNAP RING 1" INTERNAL                        |
| 24       | 1         | 8615I       | SNAP RING 1-1/4" INTERNAL                    |
| 25       | 1         | 143142PP    | PIN - PIVOTING PINTLE HEAD 4K                |
| 26       | 2         | 0752065-54  | DOCK STABILIZER EXTENSION STAND (OPTIONAL)   |

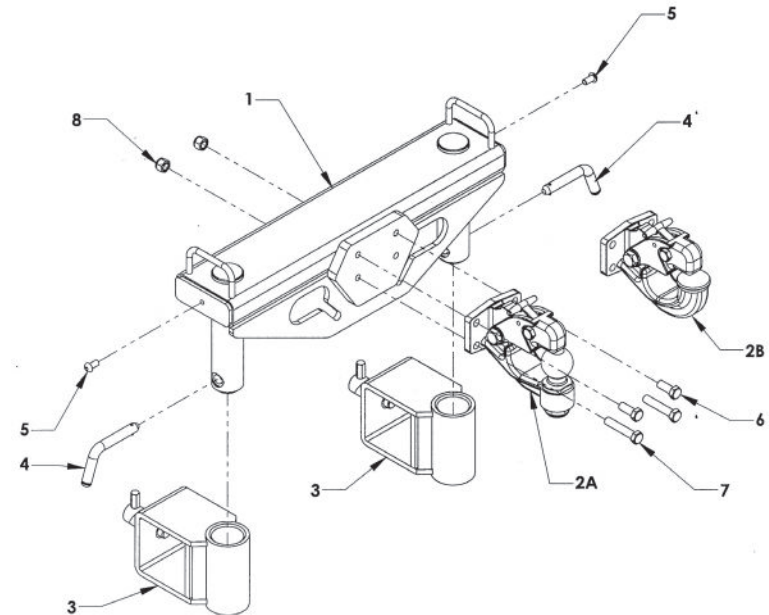
Section V - PARTS  
TELESCOPING PINTLE - GEN 2 LCG



**Section V - PARTS**  
**TELESCOPING PINTLE - GEN 2 LCG**

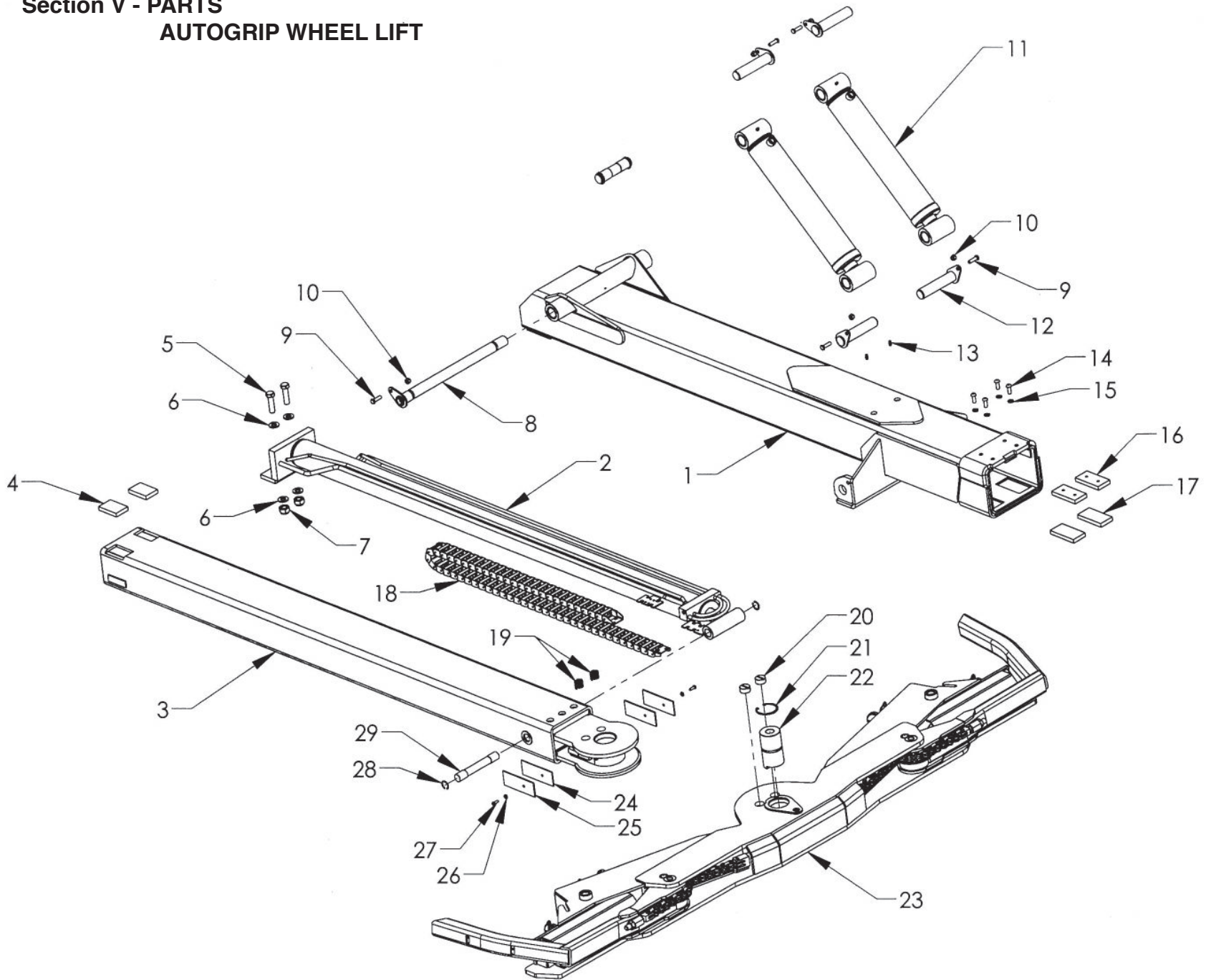
| REF. NO. | NO. REQ'D | PART NUMBER | DESCRIPTION                                  |
|----------|-----------|-------------|--|
| 1        |           | 10270408    | WHEEL LIFT BOOM-CHEVRON GEN3 4K              |
| 2        |           | 72A30054    | WHEEL LIFT EXTEND CYLINDER 3.0 x 54          |
| 3        |           | 102404-P    | 4K INNER BOOM - TELESCOPING PINTLE           |
| 4        |           | 65613       | WEAR PAD 1/2 x 2 x 3 NSM BEVELED             |
| 5        |           | 0809411U    | WHEEL LIFT BOOM HINGE PIN                    |
| 6        |           |             | NYLON LOCK NUT 3/8-16 UNC                    |
| 7        |           |             | BOLT, HHCS 3/8-16 UNC x 1-1/4                |
| 8        |           | 729352      | PIN-CARRIER WHEEL LIFT EXTEND CYLINDER BASE  |
| 9        |           | 86100E      | SNAP RING 1" EXTERNAL                        |
| 10       |           | 72A33013    | LIFT CYLINDER 3.25 x 1.75 x 13.00            |
| 11       |           | 14710       | KEEPER PIN 1.23 x 5.50                       |
| 12       |           | 7B130       | GREASE FITTING 1/4-28 UNF                    |
| 13       |           |             | BOLT, BHCS 3/8-16 UNC x 1                    |
| 14       |           |             | LOCK WASHER 3/8"                             |
| 15       |           | 63595H      | WEAR PAD NYLATRON NSM 1/2 x 2 x 4 WITH HOLES |
| 16       |           | 63595       | WEAR PAD NYLATRON NSM 1/2 x 2 x 4            |
| 17       |           | 72940       | CYLINDER PIN 0.980 x 6-5/8                   |
| 18       |           | 86100I      | SNAP RING 1" INTERNAL                        |
| 19       |           | A3020H      | PINTLE HOOK ATTACHMENT                       |
| 20       |           | A3020       | PINTLE BALL ATTACHMENT                       |
| 21       |           |             | LOCK WASHER 1/2"                             |
| 22       |           |             | BOLT HHCS 1/2-13 UNC x 1-1/4                 |
| 23       |           | 0809898-54  | DOCK STABILIZER EXTENSION STAND (OPTIONAL)   |

**Section V - PARTS**  
**PINTLE HITCH GROUP**



| REF | PART # | DESCRIPTION                                       | QPU |
|-----|--------|---|-----|
|     | 66370G | PINTLE HITCH GROUP                                | 1   |
| 1   | 66370W | PINTLE HITCH WELDMENT                             | 1   |
| 2A  | A3020  | TOW BALL PINTLE HITCH                             | 1   |
| 2B  | A3020H | PINTLE HOOK                                       | 1   |
| 3   | 66280  | FORK HOLDER - 4 IN. CROSSBAR                      | 2   |
|     | 65460  | FORK HOLDER - 3-1/2 IN. CROSSBAR                  | 2   |
| 4   | 66378  | RETAINING PIN                                     | 2   |
| 5   | 812A6  | 3/8 X 5/8 BUTTONHEAD BOLT                         | 4   |
|     | 5A220  | LANYARD   | 2   |
| 6   | 81428  | BOLT 1/2-13 X 1.25 GRADE 8<br>SECURE WITH LOCTITE | 2   |
| 7   | 81449  | BOLT 1/2-13 x 2.5 GRADE 8                         | 2   |
| 8   | 83312  | 1/2-13 NUT NYLOK                                  | 2   |

**Section V - PARTS**  
**AUTOGRIP WHEEL LIFT**

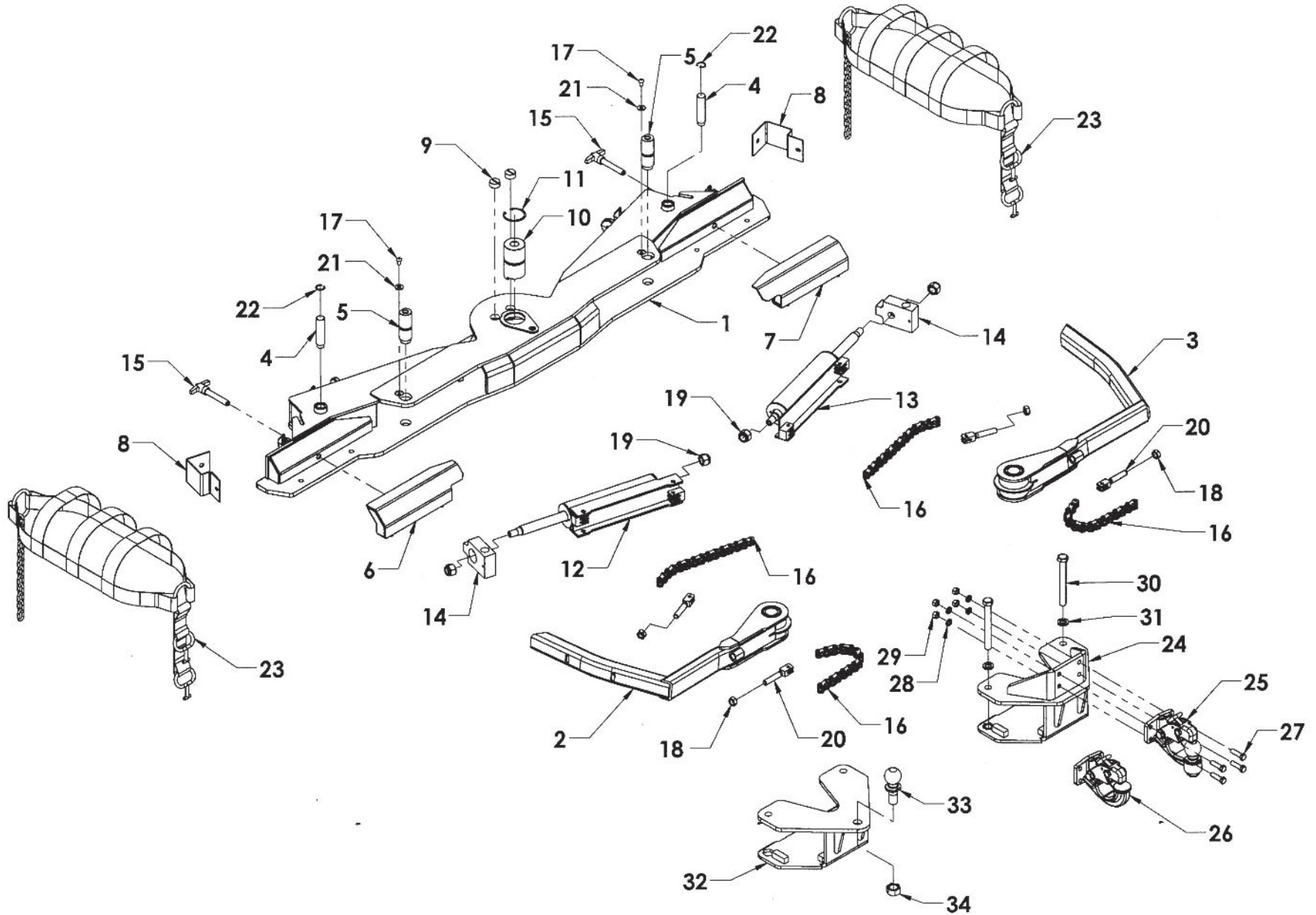




**Section V - PARTS**  
**AUTOGRIP WHEEL LIFT**

| REF NO. | NO REQ'D | PART NUMBER | DESCRIPTION                                  |
|---------|----------|-------------|--|
| 1       | 1        | 10270410    | AUTOGRIP OUTER BOOM TUBE - GEN2 LCG 4K       |
| 2       | 1        | 72136       | AUTOGRIP EXTEND CYLINDER - CARRIER           |
| 3       | 1        | 102522      | AUTOGRIP INNER TUBE GEN2                     |
| 4       | 2        | 65612       | WEAR PAD 1/2 x 2 x 3 NSM BEVELED             |
| 5       | 2        |             | BOLT HHCS 5/8-11 UNC x 2-1/4                 |
| 6       | 4        |             | FLAT WASHER 5/8                              |
| 7       | 2        |             | NYLON LOCK NUT 5/8-11 UNC                    |
| 8       | 1        | 0809411U    | WHEEL LIFT BOOM HINGE PIN                    |
| 9       | 5        |             | BOLT, HHCS 3/8-16 UNC x 1-1/4                |
| 10      | 5        |             | NYLON LOCK NUT 3/8-16 UNC                    |
| 11      | 2        | 72A33013    | LIFT CYLINDER 3.25 x 1.75 x 13.00            |
| 12      | 4        | 14710       | KEEPER PIN 1.23 x 5.50                       |
| 13      | 2        |             | GREASE FITTING 1/4-28 UNF                    |
| 14      | 4        |             | BOLT, BHCS 3/8-16 UNC x 1                    |
| 15      | 4        |             | LOCK WASHER 3/8"                             |
| 16      | 2        | 63595H      | WEAR PAD NYLATRON NSM 1/2 x 2 x 4 WITH HOLES |
| 17      | 2        | 63595       | WEAR PAD NYLATRON NSM 1/2 x 2 x 4            |
| 18      | 1        | 69757       | AUTOGRIP HOSE TRACK 58 LINKS                 |
| 19      | 2        | 69320       | AUTOGRIP DETENT SPRING GEN2                  |
| 20      | 2        | 643272      | AUTOGRIP DETENT SCREW GEN2                   |
| 21      | 1        | 86250I      | SNAP RING 2-1/2" INTERNAL                    |
| 22      | 1        | 644402      | AUTOGRIP CROSSBAR PIVOT PIN GEN2             |
| 23      | 1        | 644002CG    | AUTOGRIP CROSSBAR GEN2                       |
| 24      | 2        | 64304R      | RUBBER GASKET FOR 64304C                     |
| 25      | 2        | 64304C      | HOSE CLAMP FOR SIDE OF AUTOGRIP II YOKE      |
| 26      | 2        |             | LOCK WASHER 1/4"                             |
| 27      | 2        |             | BOLT, BUTTON HEAD 1/4-20 x 3/4               |
| 28      | 2        | 86100I      | SNAP RING 1" INTERNAL                        |
| 29      | 1        | 72940       | CYLINDER PIN 0.980 x 6-5/8                   |

Section V - PARTS  
AUTOGRIP II COMPONENTS





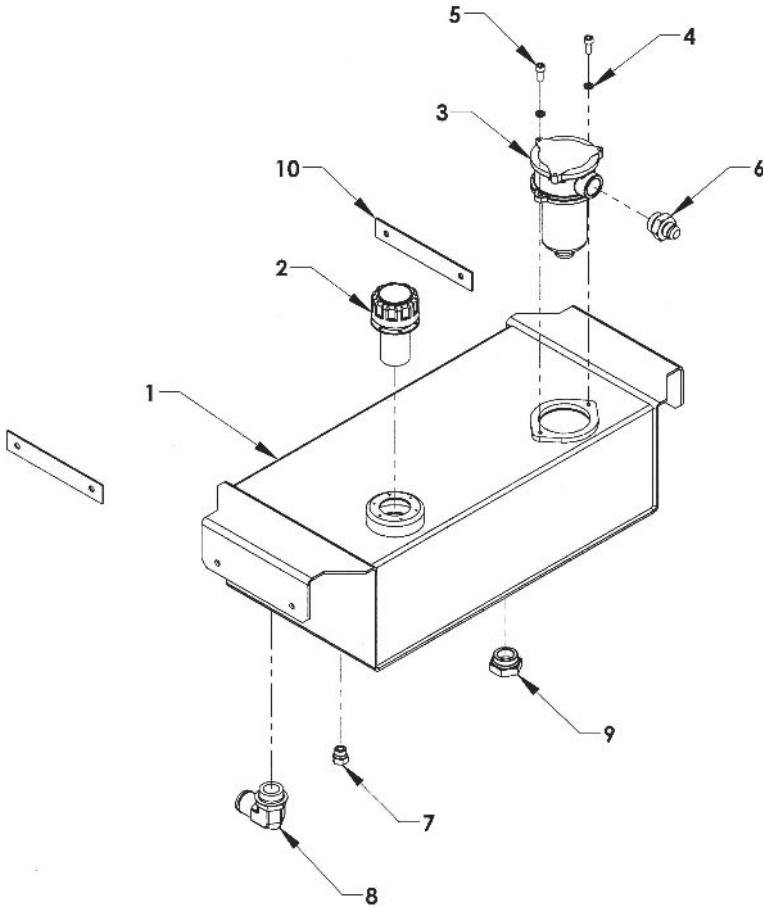
## Section V - PARTS

### AUTOGRIP II COMPONENTS

| REF NO. | NO REQ'D | PART NUMBER | DESCRIPTION                           |
|---------|----------|-------------|---------------------------------------|
| 1       | 1        | 644002      | CROSSBAR WELDMENT                     |
| 2       | 1        | 644352      | WHEEL RETAINER - LEFT                 |
| 3       | 1        | 644352      | WHEEL RETAINER - RIGHT                |
| 4       | 2        | 644432      | WHEEL RETAINER CYLINDER PIN           |
| 5       | 2        | 644452      | ARM PIVOT PIN                         |
| 6       | 1        | 697402L     | WHEEL SPACER - LEFT                   |
| 7       | 1        | 697402R     | WHEEL SPACER - RIGHT                  |
| 8       | 2        | 644292      | HOSE GUARD                            |
| 9       | 2        | 64327       | SCREW-PLUG CROSSBAR DETENT            |
| 10      | 1        | 644402      | CROSSBAR PIN                          |
| 11      | 1        | 862501      | SNAP RING 2.500 INCH INTERNAL         |
| 12      | 2        | 720152L     | WHEEL RETAINER CYLINDER - LEFT        |
| 13      | 2        | 720152R     | WHEEL RETAINER CYLINDER - RIGHT       |
| 14      | 2        | 727162      | L-ARM CYLINDER END BLOCK              |
| 15      | 2        | 84291       | T-PIN 5/8 x 3                         |
| 16      | 4        | 87440       | AUTOGRIP ARM CHAIN                    |
|         | 4        |             | 5/16 x 1-1/4 SHOULDER SHCS 1/4-20 UNC |
|         | 4        |             | 1/4-20 UNC NYLON LOCK NUT             |
| 17      | 2        |             | 3/8 ALLEN BOLT                        |
| 18      | 4        |             | 5/8 NYLON LOCK NUT                    |
| 19      | 2        | 644432      | 3/4 NYLON LOCK NUT                    |
| 20      | 4        | 64441       | CHAIN CLEVS                           |
|         | 4        |             | 5/16 x 1 SHOULDER SHCS 1/4-20 UNC     |
|         | 4        |             | 1/4-20 UNC NYLON LOCK NUT             |
| 21      | 2        |             | 5/16 FLAT WASHER                      |
| 22      | 2        | 861001      | SNAP-RING 1.000 INCH INTERNAL         |
| 23      | 2        | 65286       | BASKET TIRE STRAP - AUTO              |
|         | 2        | 66287       | BASKET TIRE STRAP - TRUCK             |
| 24      | 1        | 694520      | AUTOGRIP PINTLE ADAPTOR (OPTIONAL)    |
| 25      | 1        | A3020       | PINTLE BALL ATTACHMENT (OPTIONAL)     |
| 26      | 1        | A3020H      | PINTLE HOOK ATTACHMENT (OPTIONAL)     |
| 27      | 4        |             | BOLT, HHCS 1/2-13 UNC x 1-1/34        |
| 28      | 4        |             | LOCK WASHER, 1/2                      |
| 29      | 4        |             | HEX NUT 1/2-13 UNC                    |
| 30      | 2        |             | BOLT, HHCS 3/14-10 UNC x 6-1/2        |
| 31      | 2        |             | LOCK WASHER 3/4                       |
| 32      | 1        | 694510      | AUTOGRIP TOWBALL ADAPTOR (OPTIONAL)   |
| 33      | 1        |             | TOWBALL                               |
| 34      | 1        | 83711       | NUT - 1" NF RAMCO LOCK                |

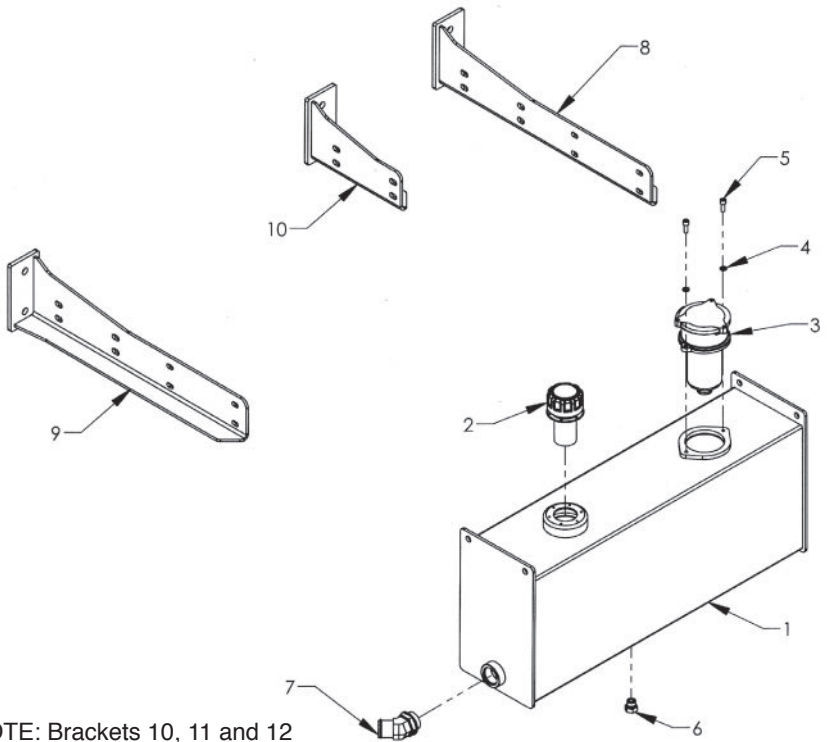
## Section V - PARTS

### INBOARD OIL RESERVOIR GROUP



| REF. NO. | NO. REQ'D | PART NUMBER         | DESCRIPTION                      |
|----------|-----------|---------------------|----------------------------------|
| 1        | 1         | 763100              | INBOARD OIL RESERVOIR WELDMENT   |
| 2        | 1         | 76213               | FILLER BREATHER CAP              |
| 3        | 1         | 76270               | FILTER ASSEMBLY                  |
|          | 1         | 76271               | REPLACEMENT FILTER ELEMENT       |
| 4        | 2         | 82220               | LOCK WASHER 3/8 ZP               |
| 5        | 2         | 812A8               | BHCS 3/8-16 UNC x 7/8 SS         |
| 6        | 1         | ADPTR202702-16 x 12 | ADAPTOR 202702-16 x 12           |
| 7        | 1         | ADPTR900598-8       | ADAPTOR 900598-8 (DRAIN PLUG)    |
| 8        | 1         | 77C92               | 20 x 24 SUCTION HOSE FITTING 90° |
| 9        | 1         | ADPTR900598-20      | ADAPTOR 90059-20 (DRAIN PLUG)    |
| 10       | 2         | 763106              | FRAME WIDTH SHIM                 |

## Section V - PARTS 12 GAL. OUTBOARD OIL TANK GROUP

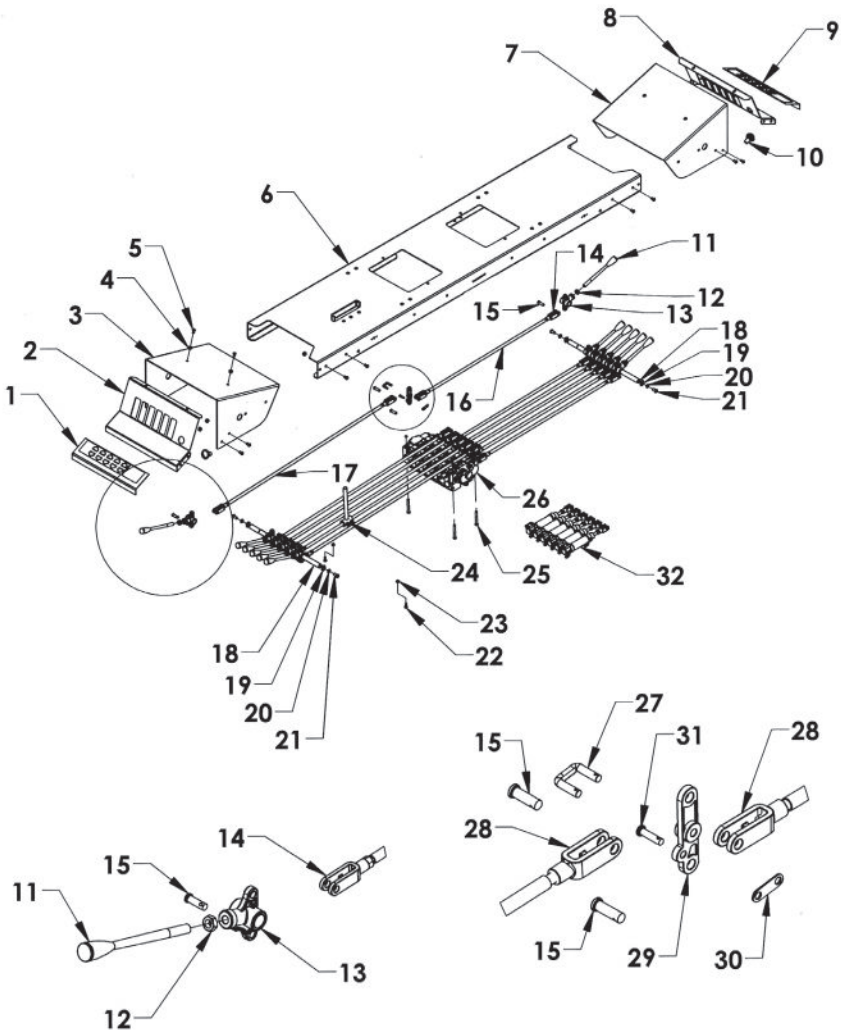


NOTE: Brackets 10, 11 and 12 are shown offset for LCG carriers 12 and 16. They can be reversed to be offset up for conventional carriers.

| REF | PART #            | DESCRIPTION                            | QPU |
|-----|-------------------|--|-----|
| 1   | 762110            | 12 GAL. OUTBOARD OIL TANK WELDMENT     | 1   |
| 2   | 76213G            | FILLER BREATHER CAP ASSEMBLY           | 1   |
| 3   | 76270             | IN-TANK FILTER ASSEMBLY #16 SAE PORT   | 1   |
| 4   | LWSHR-0312        | LOCK WASHER 5/16 ZINC PLATE            | 2   |
| 5   | BOLT-CS-0313X0875 | BHCS 5/16-18 UNC x 7/8 SS              | 2   |
| 6   | 0403113           | #8 O-RING PLUG-ADAPTOR 900898-8        | 1   |
| 7   | ADPTR2061-20x24H  | ADAPTOR 2061-20 x 24H (24 GPM)         | 1   |
| 8   | 37855L            | TOOL BOX AND OIL TANK MTG. BRACKET - L | 1   |
| 9   | 37855R            | TOOL BOX AND OIL TANK MTG. BRACKET - R | 1   |
| 10  | 37858L            | OIL TANK MOUNTING BRACKET - LEFT       | 1   |

# Section V - PARTS

## 6-SPOOL CONTROL STATION

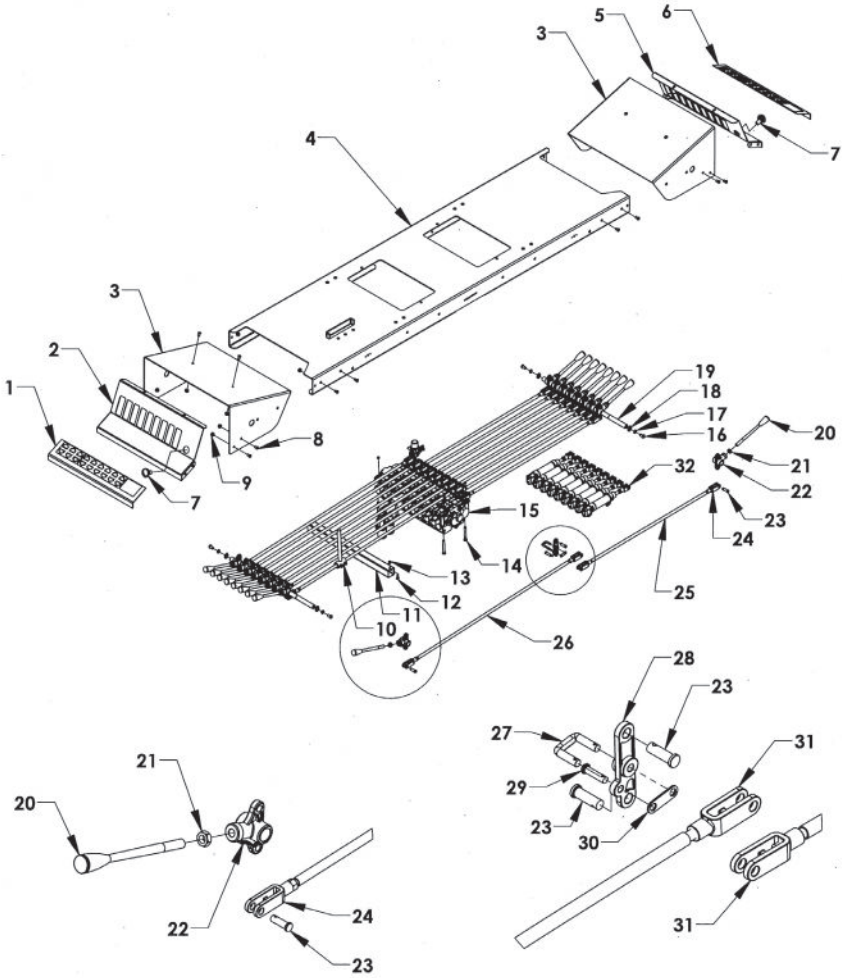


## Section V - PARTS

### 6-SPOOL CONTROL STATION

| REF. NO. | NO. REQ'D | PART NUMBER   | DESCRIPTION                             |
|----------|-----------|---------------|---|
| 1        | 1         | 18212L/18214L | 5 SPOOL/6 SPOOL CONTROL PLACARD-LEFT    |
| 2        | 1         | 18126L        | CONTROL PANEL - LEFT                    |
| 3        | 1         | 181273L       | CONTROL HOOD - LEFT                     |
| 4        | 23        |               | NYLON LOCK NUT 5/16-18 UNC              |
| 5        | 16        |               | BOLT, BUTTON HEAD 5/16-18 UNC x 5/8     |
| 6        | 1         | 181286W       | CONTROL BOX ARM WELDMENT - 79.5 IN.     |
| 7        | 1         | 181273R       | CONTROL HOOD - RIGHT                    |
| 8        | 1         | 18126R        | CONTROL PANEL - RIGHT                   |
| 9        | 1         | 18212R/18214R | 5 SPOOL/6 SPOOL CONTROL PLACARD - RIGHT |
| 10       | 1         | 0320031       | CONTROL LIGHT - 2 WIRE                  |
| 11       | 2         | 0320048-GR    | GREEN CONTROL HANDLE                    |
|          | 4         | 0320048-BL    | BLUE CONTROL HANDLE                     |
|          | 2         | 0320048-RD    | RED CONTROL HANDLE                      |
|          | 4         | 0320048-GY    | GREY CONTROL HANDLE                     |
| 12       | 12        |               | JAM NUT 1/2-13 UNC ZINC PLATE           |
| 13       | 12        | 7A1155        | CONTROL HANDLE PIVOT BASE               |
| 14       | 12        | 84530         | CLEVIS - RIGHT HAND THREAD              |
| 15       | 24        | 84620         | CLEVIS PIN, 3/8 x 1-1/8                 |
| 16       | 6         | 7A528W        | CONTROL ROD 28-1/2                      |
| 17       | 6         | 7A538W        | CONTROL ROD 37-3/4                      |
| 18       | 2         | 7A5753-17     | CONTROL HANDLE CROSS ROD 3/4 x 17       |
| 19       | 4         | 86075E        | SNAP RING 3/4 EXTERNAL                  |
| 20       | 4         |               | LOCK WASHER 3/8                         |
| 21       | 4         |               | BOLT, BUTTON HEAD 3/8-16 UNC x 3/4      |
| 22       | 4         |               | BOLT, HHCS 1/4-20 UNC x 3/4             |
| 23       | 4         |               | NYLON LOCK NUT 1/4-20 UNC               |
| 24       | 1         | 0809904       | ANTI-TILT CONTROL ROD WELDMENT          |
| 25       | 3         |               | BOLT, HHCS 5/16 -18 UNC x 2-3/4         |
| 26       | 1         | 74116         | VALVE BODY GRESEN 6 SPOOL               |
| 27       | 6         | 7A010LINK     | CLEVIS LINK                             |
| 28       | 12        | 84540         | CLEVIS - LEFT HAND THREAD               |
| 29       | 6         | 7A121         | BELL CRANK                              |
| 30       | 6         | 7A010LINK-    | CLEVIS LINK PLATE                       |
| 31       | 6         | PLATE         | CLEVIS PIN, 1/4 x 15/16                 |
| 32       | 6         | 84610         | AIR CYLINDER - 2 IN. STROKE             |

**Section V - PARTS**  
**9-SPOOL CONTROL STATION**



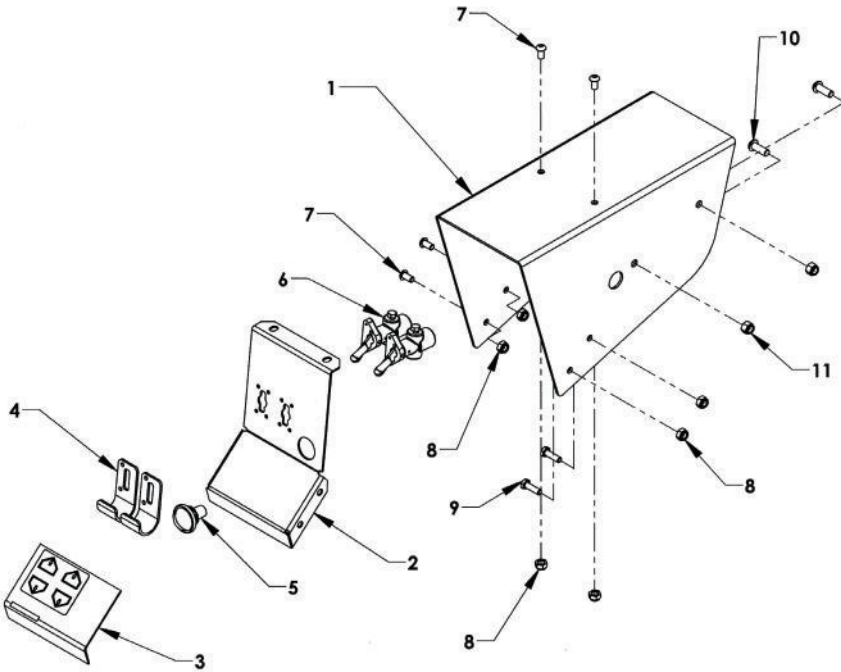
## Section V - PARTS

### 9-SPOOL CONTROL STATION

| REF. NO. | NO. REQ'D | PART NUMBER    | DESCRIPTION                         |
|----------|-----------|----------------|-------------------------------------|
| 1        | 1         | 18219L         | CONTROL PLACARD - LEFT              |
| 2        | 1         | 18142L         | CONTROL PANEL - LEFT                |
| 3        | 2         | 18141          | CONTROL HOOD                        |
| 4        | 1         | 181289W        | CONTROL BOX ARM WELDMENT - 79.5 IN. |
| 5        | 1         | 18142R         | CONTROL PANEL - RIGHT               |
| 6        | 1         | 18219R         | CONTROL PLACARD - RIGHT             |
| 7        | 2         | 0320031        | CONTROL LIGHT 2 WIRE                |
| 8        | 20        |                | BOLT, BUTTON HEAD 5/16-18 UNC x 5/8 |
| 9        | 23        |                | NYLON LOCK NUT 5/16-18 UNC          |
| 10       | 1         | 0809904        | ANTI-TILT CONTROL ROD WELDMENT      |
| 11       | 1         | 18336          | CONTROL STATION WIRE TUBE           |
| 12       | 4         |                | BOLT, HHCS 1/4-20 UNC x 3/4         |
| 13       | 4         |                | NYLON LOCK NUT 1/4-20 UNC           |
| 14       | 3         |                | BOLT, HHCS 5/16 -18 UNC x 2-3/4     |
| 15       | 1         | 74119          | VALVE BODY GRESEN 9 SPOOL           |
| 16       | 4         |                | BOLT, BUTTON HEAD 3/8-16 UNC x 3/4  |
| 17       | 4         |                | LOCK WASHER - 3/8                   |
| 18       | 4         | 86075E         | SNAP RING 3/4 EXTERNAL              |
| 19       | 2         | 7A5753-20      | CROSS ROD 3/4 X 20-3/4              |
| 20       | 6         | 0320048-BL     | BLUE CONTROL HANDLE                 |
|          | 6         | 0320048-RD     | RED CONTROL HANDLE                  |
|          | 2         | 0320048-GR     | GREEN CONTROL HANDLE                |
|          | 4         | 0320048-GY     | GRAY CONTROL HANDLE                 |
| 21       | 18        |                | JAM NUT 1/2-13 UNC ZINC PLATED      |
| 22       | 18        | 7A1155         | CONTROL HANDLE PIVOT BASE           |
| 23       | 36        | 84620          | CLEVIS PIN - 3/8 x 1-1/8            |
| 24       | 18        | 84530          | CLEVIS - RIGHT HAND THREAD          |
| 25       | 9         | 7A528W         | CONTROL ROD 28-1/2                  |
| 26       | 9         | 7A538W         | CONTROL ROD 37-3/4                  |
| 27       | 9         | 7A010LINK      | CLEVIS LINK                         |
| 28       | 9         | 7A121          | BELL CRANK                          |
| 29       | 9         | 84610          | CLEVIS PIN, 1/4 x 15/16             |
| 30       | 9         | 7A010LINKPLATE | CLEVIS LINK PLATE                   |
| 31       | 18        | 84540          | CLEVIS - LEFT HAND THREAD           |
| 32       | 9         | PC32B50        | AIR CYLINDER - 2 IN. STROKE         |

## Section V - PARTS

### 2 AIR VALVE CONTROL STATION

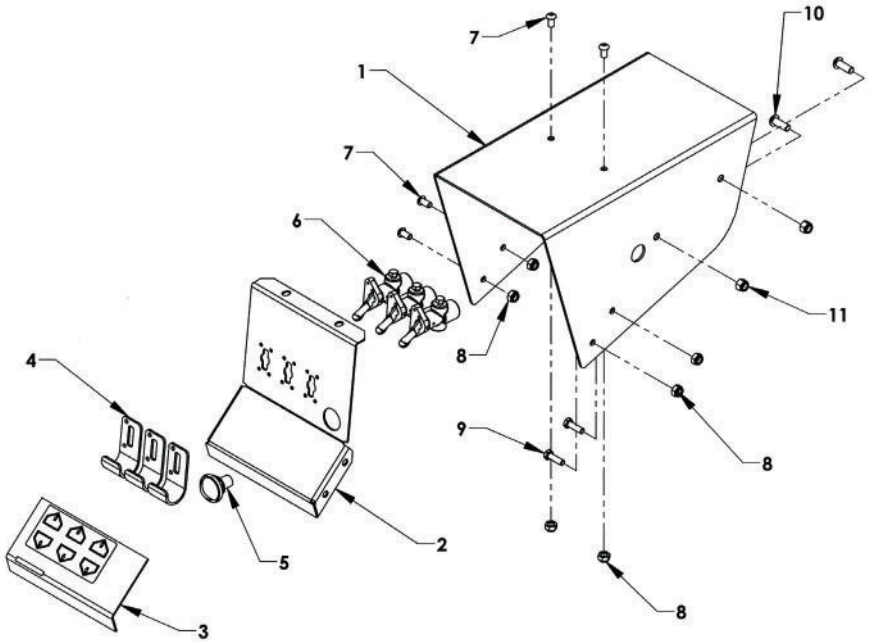


| REF. NO. | NO. REQ'D | PART NUMBER | DESCRIPTION                                |
|----------|-----------|-------------|--|
| 1        | 1         | 18148       | 2-TOGGLE AIR VALVE CONTROL HOOD            |
| 2        | 1         | 18149L      | 2-TOGGLE AIR VALVE CONTROL PANEL - LEFT    |
|          | 1         | 18148R      | 2-TOGGLE AIR VALVE CONTROL PANEL - RIGHT   |
| 3        | 1         | 18221L      | 2-TOGGLE AIR VALVE CONTROL PLACARD - LEFT  |
|          | 1         | 18221R      | 2-TOGGLE AIR VALVE CONTROL PLACARD - RIGHT |
| 4        | 2         | 18145       | TOGGLE AIR VALVE GUARD                     |
| 5        | 1         | 97300       | CONTROL LIGHT                              |
| 6        | 2         | 71716       | TOGGLE AIR VALVE                           |
| 7        | 4         | -           | BOLT BHCS 5/16-18 UNC x 5/8                |
| 8        | 6         | -           | NYLON LOCK NUT 5/16-18 UNC                 |
| 9        | 2         | -           | BOLT HHCS 5/16-18 UNC x 1                  |
| 10       | 2         | -           | BOLT BHCS 3/8-16 UNC x 1                   |
| 11       | 2         | -           | NYLON LOCK NUT 3/8-16 UNC                  |



## Section V - PARTS

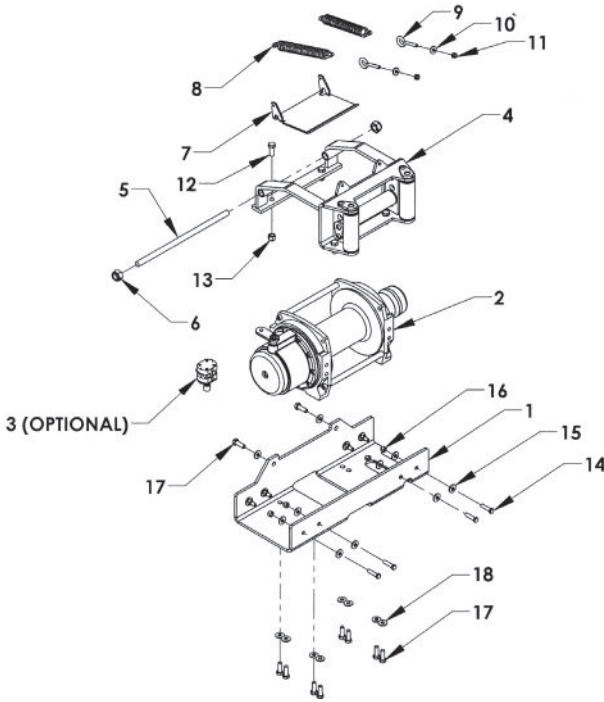
### 3 AIR VALVE CONTROL STATION



| REF. NO. | NO. REQ'D | PART NUMBER | DESCRIPTION                                |
|----------|-----------|-------------|--|
| 1        | 1         | 18146       | 3-TOGGLE AIR VALVE CONTROL HOOD            |
| 2        | 1         | 18147L      | 3-TOGGLE AIR VALVE CONTROL PANEL - LEFT    |
|          | 1         | 18147R      | 3-TOGGLE AIR VALVE CONTROL PANEL - RIGHT   |
| 3        | 1         | 18211L      | AIR SHIFT WINCH CLUTCH CONTROL PLACARD - L |
|          | 1         | 18211R      | AIR SHIFT WINCH CLUTCH CONTROL PLACARD - R |
| 4        | 3         | 18145       | TOGGLE AIR VALVE GUARD                     |
| 5        | 1         | 97300       | CONTROL LIGHT                              |
| 6        | 3         | 71716       | TOGGLE AIR VALVE                           |
| 7        | 4         | -           | BOLT BHCS 5/16-18 UNC x 5/8                |
| 8        | 6         | -           | NYLON LOCK NUT 5/16-18 UNC                 |
| 9        | 2         | -           | BOLT HHCS 5/16-18 UNC x 1                  |
| 10       | 2         | -           | BOLT BHCS 3/8-16 UNC x 1                   |
| 11       | 2         | -           | NYLON LOCK NUT 3/8-16 UNC                  |

# Section V - PARTS

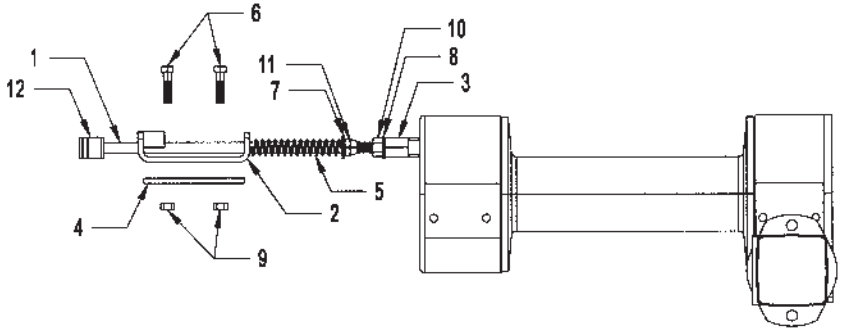
## WARN WINCH GROUP



| REF. NO. | NO. REQ'D | PART NUMBER     | DESCRIPTION                              |
|----------|-----------|-----------------|--|
| 1        | 1         | 31025           | WARN WINCH MOUNTING PLATE                |
| 2        | 1         | 71109           | WARN WINCH - 9K, 8 INCH DRUM, OVERWIND   |
|          | 1         | 71112           | WARN WINCH - 12K, 8 INCH DRUM, OVERWIND  |
|          | 1         | 71115           | WARN WINCH - 15K 8 INCH DRUM, OVERWIND   |
| 3        | 1         | 71885           | AIR-SHIFT CLUTCH CYLINDER                |
| 4        | 1         | A90209          | ROLLER GUIDE                             |
| 5        | 1         | A9008           | TENSION PLATE HINGE PIN                  |
| 6        | 2         | 83411           | NYLON LOCK NUT 5/8-11 UNC ZINC PLATED    |
| 7        | 1         | A9009N          | TENSION PLATE, 8 INCH DRUM               |
| 8        | 2         | A9018S          | TENSION SPRING 40 LB/INCH                |
| 9        | 2         | 81181           | EYE-BOLT 5/16-18 UNC x 2 ZINC PLATED     |
| 10       | 2         | 82110           | FLAT WASHER 5/16 ZINC PLATED             |
| 11       | 2         | 83125           | NYLON LOCK NUT 5/16-18 UNC ZINC PLATED   |
| 12       | 6         | 81428           | BOLT 1/2-13 UNC x 1-1/4 GR 5 ZINC PLATED |
| 13       | 6         | 83312           | NYLON LOCK NUT 1/2-13 UNC ZINC PLATED    |
| 14       | 8         | 81240           | BOLT 3/8-16 UNC x 1-1/2 GR 5 ZINC PLATED |
| 15       | 16        | 82210           | FLAT WASHER 3/8 ZINC PLATED              |
| 16       | 8         | 83211           | NYLON LOCK NUT 3/8-16 UNC ZINC PLATED    |
| 17       | 10        | (INC. W/ WINCH) | BOLT 12MM x 35MM GR 8.8 ZINC PLATED      |
| 18       | 10        |                 | FLAT WASHER 12MM OR 1/2 SAE ZINC PLATED  |

## Section V - PARTS

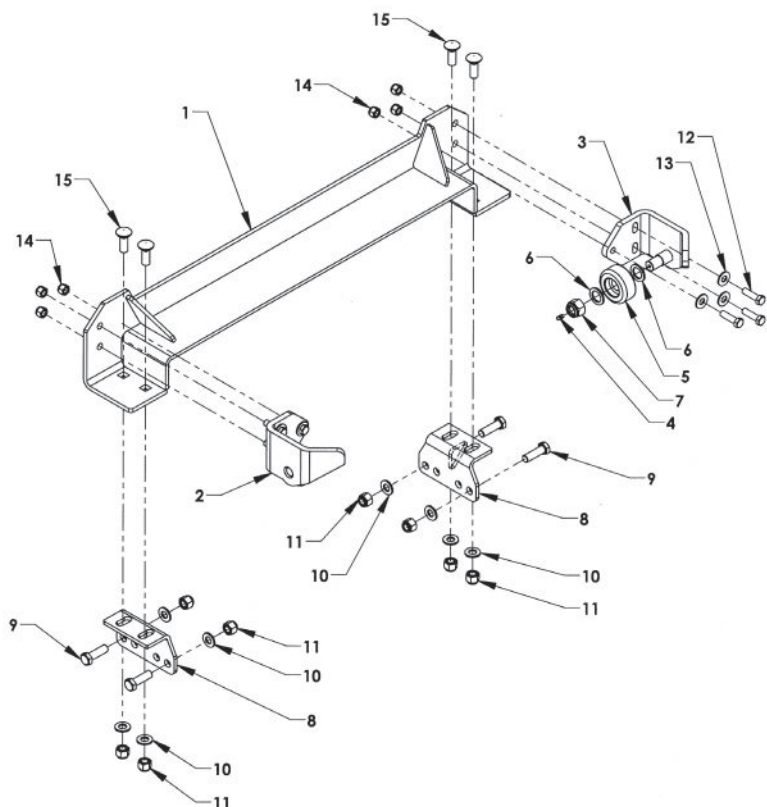
### RAMSEY WINCH CLUTCH HANDLE



| REF | PART # | DESCRIPTION                        | QPU |
|-----|--------|------------------------------------|-----|
|     | 71810A | WINCH CLUTCH ASSEMBLY              |     |
| 1   | 71810  | REMOTE CLUTCH ROD                  | 1   |
| 2   | 71811  | REMOTE CLUTCH MOUNTING BRACKET     | 1   |
| 3   | 71812  | 1/2-13 UNC COUPLING                | 1   |
| 4   | 71813  | 1/4 UHMW SHIM (FOR STEEL CARRIERS) | 1   |
| 5   | 71815  | REMOTE CLUTCH SPRING               | 1   |
| 6   | 81243  | 3/8 x 1-3/4 UNC BOLT               | 2   |
| 7   | 82310  | 1/2 FLAT WASHER                    | 1   |
| 8   | 82320  | 1/2 LOCK WASHER                    | 1   |
| 9   | 83211  | 3/8-13 UNC NYLON LOCK NUT          | 2   |
| 10  | 83311  | 1/2-13 UNC NUT                     | 1   |
| 11  | 83321  | 1/2-13 UNC NYLON LOCK NUT          | 1   |
| 12  | 88105  | T-HANDLE                           | 1   |
|     | 84665  | 5/32 x 1 PLATED ROLL PIN           | 1   |

## Section V - PARTS

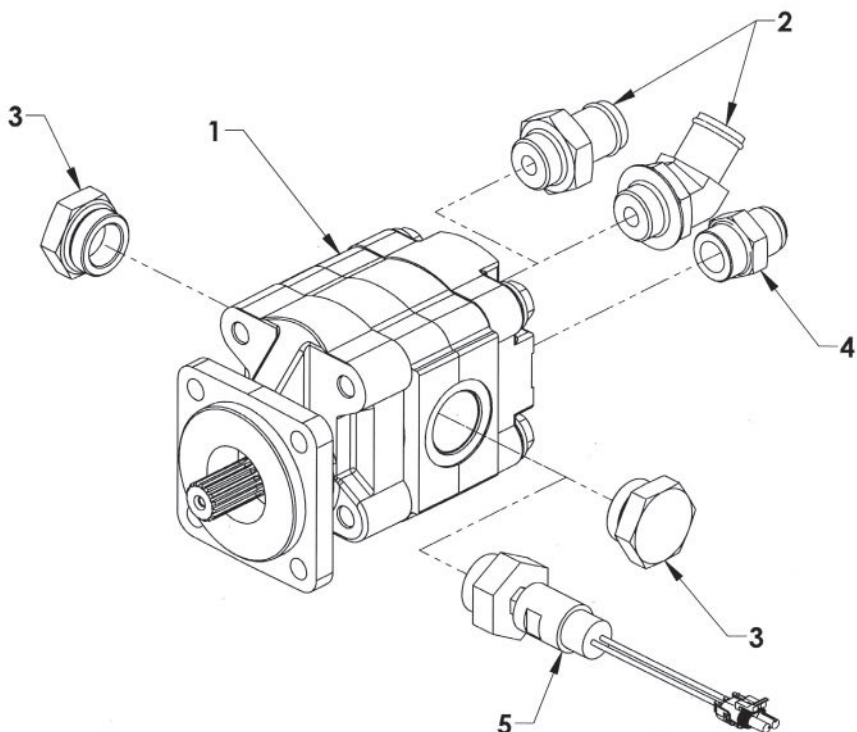
### BODY LOCK ASSEMBLY - 364220K



| REF. NO. | NO. REQ'D | PART NUMBER | DESCRIPTION                            |
|----------|-----------|-------------|--|
| 1        | 1         | 364220      | LCG BODY LOCK WELDMENT-SETBACK CAPABLE |
| 2        | 1         | 36315L      | BODY LOCK HOLD-DOWN - LEFT             |
| 3        | 1         | 36315R      | BODY LOCK HOLD-DOWN - RIGHT            |
| 4        | 2         | 7B130       | GREASE FITTING 1/4-28                  |
| 5        | 2         | 36310       | ROLLER WHEEL                           |
| 6        | 4         |             | FLAT WASHER 1                          |
| 7        | 2         |             | NYLON LOCK NUT, 7/8-14 UNF             |
| 8        | 2         | 0809183     | MOUNTING BRACKET                       |
| 9        | 4         |             | BOLT, 5/8-11 HHCS UNC x 2 GRADE 5      |
| 10       | 8         |             | FLAT WASHER 5/8                        |
| 11       | 8         |             | NYLON LOCK NUT, 5/8-11 UNC             |
| 12       | 6         |             | BOLT, HHCS 1/2-20 UNF x 1-1/4          |
| 13       | 6         |             | FLAT WASHER, 1/2 IN.                   |
| 14       | 6         |             | NYLON LOCK NUT, 1/2-20 UNF             |
| 15       | 4         |             | CARRIAGE BOLT 5/8-11 x 1-3/4           |

## Section V - PARTS

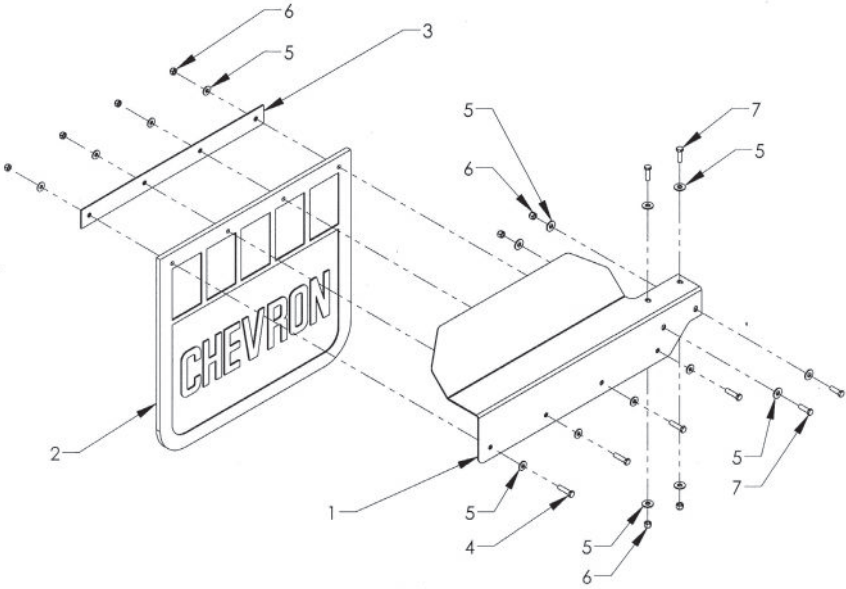
### DIRECT MOUNT PUMP - 18 GPM



| REF | PART #           | DESCRIPTION                                      | QPU |
|-----|------------------|--|-----|
| 1   | 0320144          | 17 GPM , 1 IN.15 SPLINE SHAFT, SAE 4-BOLT FLANGE | 1   |
| 2   | S14604-20 x 16   | #16-45 M O-RING x 1-1/4 M NIPPLE                 | 1   |
|     | S14603- 20 x 26F | #16 M O-RING x 1-1/4 NIPPLE                      | 1   |
| 3   | 77620            | 1-1/4 O-RING PLUG 900598-20                      | 2   |
| 4   | 779A7            | #16 M O-RING X 3/4 MJIC                          | 1   |
| 5   | 0909434          | PRESSURE TRANSDUCER (OPTIONAL)                   | 1   |

# Section V - PARTS

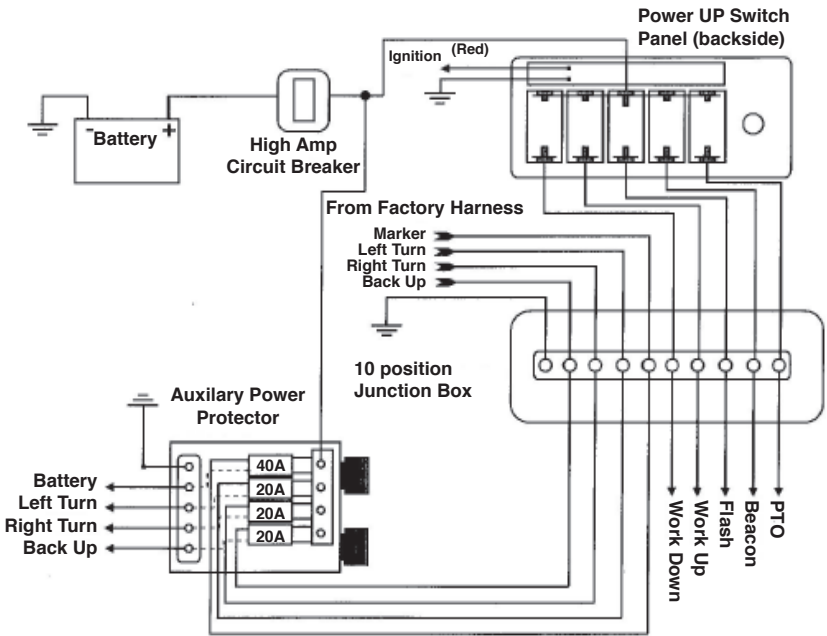
## MUDFLAP COMPONENTS



| REF | PART #   | DESCRIPTION                   | QPU |
|-----|----------|-------------------------------|-----|
| 1   | 0751034L | MUDFLAP MOUNTING BRACKET (LH) | 1   |
|     | 0751034R | MUDFLAP MOUNTING BRACKET (RH) | 1   |
| 2   | A1027    | MUDFLAP 24 x 24               | 1   |
| 3   | 0750340  | MUDFLAP SUPPORT BAR           | 1   |
| 4   |          | BOLT HHCS 3/8-16 UNC x 1-1/2  | 4   |
| 5   |          | 3/8 FLAT WASHER               | 16  |
| 6   |          | 3/8-16 NYLON LOCK NUT         | 16  |
| 7   |          | BOLT HHCS 3/8-16 UNC x 1-1/4  | 4   |

# Section V - PARTS

## OPTIONAL DASHBOARD PANEL

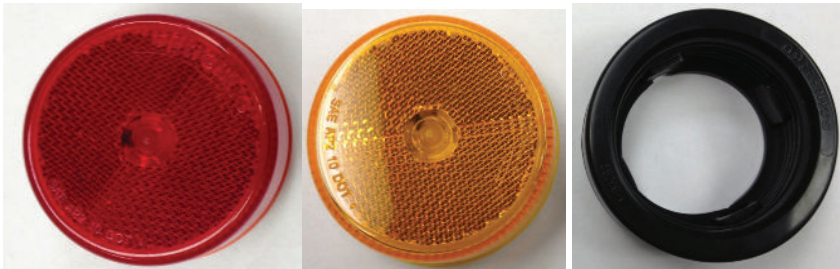


# Section V - PARTS

## LIGHT KIT



| REF. NO. | PART NUMBER | DESCRIPTION                       |
|----------|-------------|-----------------------------------|
| 1        | 0311498     | LIGHT 6" OVAL RED LED - STOP/TURN |
| 2        | 0311500     | LIGHT 6" OVAL REVERSE LED         |
| 3        | 3011503     | LIGHT 6" GROMMET                  |



| REF. NO. | PART NUMBER | DESCRIPTION                           |
|----------|-------------|---------------------------------------|
| 1        | 0311512     | LIGHT 2.5" RED REFLEX LED (MCL59RB)   |
| 2        | 0311513     | LIGHT 2.5" AMBER REFLEX LED (MCL59AB) |
| 3        | 0311516     | LIGHT 2.5" GROMMET                    |



**Section V - PARTS**

**LIGHT KIT**



| REF. NO. | PART NUMBER | DESCRIPTION                                   |
|----------|-------------|---|
| 1        | 0311514     | LIGHT 2.5" ROUND CLEAR/RED LED MARKER LIGHT   |
| 2        | 0311515     | LIGHT 2.5" ROUND CLEAR/AMBER LED MARKER LIGHT |
| 3        | 3011516     | LIGHT 2.5" GROMMET                            |



| REF. NO. | PART NUMBER | DESCRIPTION           |
|----------|-------------|-----------------------|
| 1        | 97300       | CONTROL STATION LIGHT |

**Section V - PARTS**

**LIGHT KIT**



| REF. NO. | PART NUMBER | DESCRIPTION           |
|----------|-------------|-----------------------|
| 1        | 0311519     | RED 3/4 LED ICC LIGHT |



| REF. NO. | PART NUMBER | DESCRIPTION       |
|----------|-------------|-------------------|
| 1        | 0311520     | RED 3/4 LED LIGHT |

## Section V - PARTS

### LIGHT KIT



| REF. NO. | PART NUMBER | DESCRIPTION               |
|----------|-------------|---------------------------|
| 1        | 0311521     | AMBER 3/4 ROUND LED LIGHT |



| REF. NO. | PART NUMBER | DESCRIPTION                   |
|----------|-------------|-------------------------------|
| 1        | 0311522     | CLEAR/RED 3/4 ROUND LED LIGHT |



| REF. NO. | PART NUMBER | DESCRIPTION                     |
|----------|-------------|---------------------------------|
| 1        | 0311523     | CLEAR/AMBER 3/4 ROUND LED LIGHT |

**Section V - PARTS**

**LIGHT KIT**



| REF. NO. | PART NUMBER | DESCRIPTION                 |
|----------|-------------|-----------------------------|
| 1        | 0308359     | MARKER LIGHT RED REFLEX LED |



| REF. NO. | PART NUMBER | DESCRIPTION                   |
|----------|-------------|-------------------------------|
| 1        | 0308360     | MARKER LIGHT AMBER REFLEX LED |

## Section V - PARTS

### LIGHT KIT



| REF. NO. | PART NUMBER | DESCRIPTION                 |
|----------|-------------|-----------------------------|
| 1        | 0308969R    | MARKER LIGHT RED REFLEX LED |



| REF. NO. | PART NUMBER | DESCRIPTION                   |
|----------|-------------|-------------------------------|
| 1        | 0308969A    | MARKER LIGHT AMBER REFLEX LED |

## Section V - PARTS

### LIGHT KIT



| REF. NO. | PART NUMBER  | DESCRIPTION                        |
|----------|--------------|------------------------------------|
| 1        | 074027041ACL | MILLENIUM MARKER LIGHT CLEAR/AMBER |



| REF. NO. | PART NUMBER  | DESCRIPTION                      |
|----------|--------------|----------------------------------|
| 1        | 174027041RCL | MELLIENUM MARKER LIGHT CLEAR/RED |

## Section V - PARTS

### LIGHT KIT



| REF. NO. | PART NUMBER | DESCRIPTION       |
|----------|-------------|-------------------|
| 1        | 0308491     | REFLECTOR - AMBER |

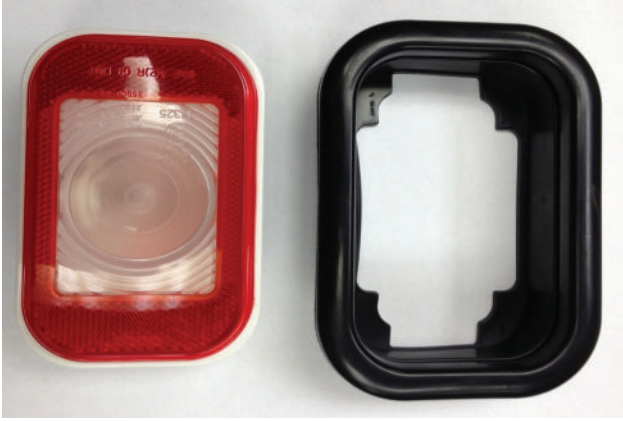


| REF. NO. | PART NUMBER | DESCRIPTION     |
|----------|-------------|-----------------|
| 1        | 0308490     | REFLECTOR - RED |



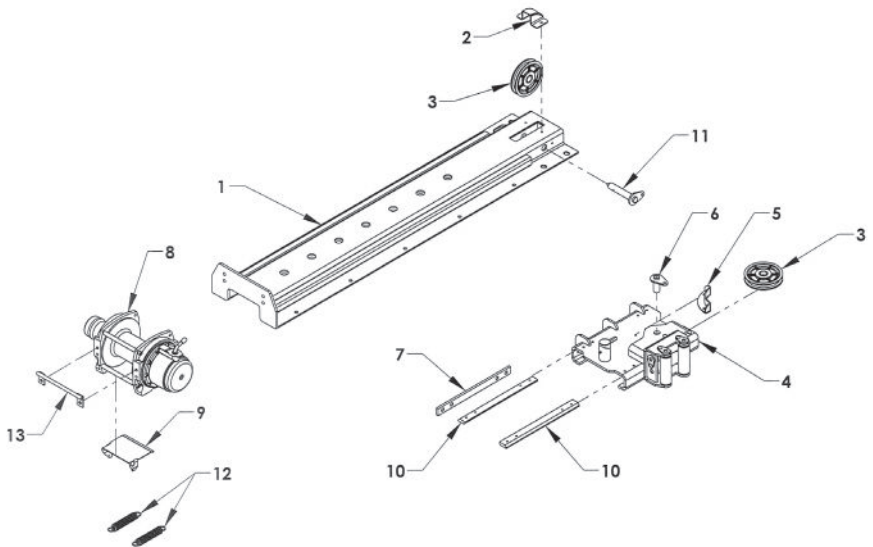
## Section V - PARTS

### LIGHT KIT



| REF. NO. | PART NUMBER | DESCRIPTION                        |
|----------|-------------|------------------------------------|
| 1        | 0311510     | RECTANGULAR REFLEX BACK UP         |
| 1        | 0311511     | RECTANGULAR REFLEX BACK UP GROMMET |

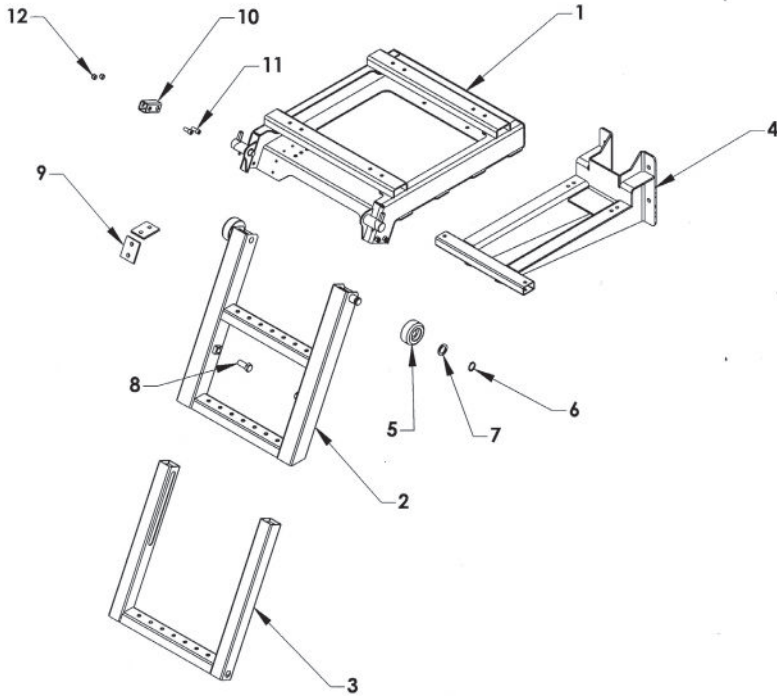
## Section V - PARTS MANUAL SLIDEWINDER



| REF | PART #  | DESCRIPTION                     | QPU |
|-----|---------|---------------------------------|-----|
| 1   | 315210  | SLIDE TRACK - SHORT             | 1   |
| 2   | 315225  | CABLE GUIDE                     | 1   |
| 3   | 69125   | 6 x 1 PULLEY                    | 2   |
| 4   | 315310  | SLIDE CARRIAGE                  | 1   |
| 5   | 315325  | CABLE GUIDE                     | 1   |
| 6   | 315330  | PULLEY PIN                      | 1   |
| 7   | 315323  | FRONT SLIDE PAD                 | 1   |
| 8   | 711096  | SERIES 9 WINCH - 6.5 INCH DRUM  | 1   |
|     | 711126  | SERIES 12 WINCH - 6.5 INCH DRUM | 1   |
| 9   | A90065  | CABLE TENSIONER PLATE           | 1   |
| 10  | 315320  | SLIDE PAD                       | 2   |
| 11  | 315230  | PULLEY PIN                      | 1   |
| 12  | A9018S  | CABLE TENSIONER SPRING          | 2   |
| 13  | 7189065 | AIR LINE TRANSFER BRACKET       | 1   |

## Section V - PARTS

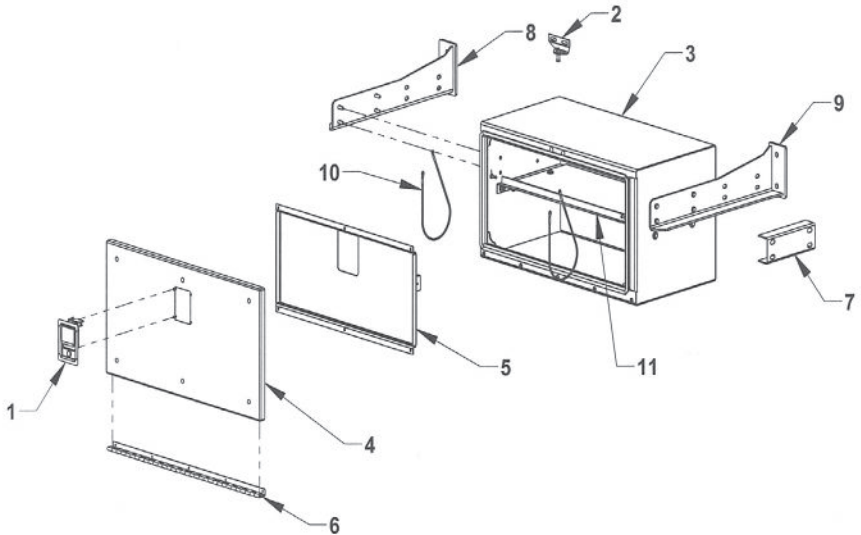
### LCG RETRACTABLE LADDER



| REF | PART # | DESCRIPTION                       |   |
|-----|--------|-----------------------------------|---|
|     | 390000 | LADDER ASSEMBLY                   | 1 |
| 1   | 391010 | LADDER CARRIAGE                   | 1 |
| 2   | 391020 | UPPER RUNG ASSEMBLY               | 1 |
| 3   | 391030 | LOWER RUNG ASSEMBLY               | 1 |
| 4   | 391050 | FRAME MOUNTING BRACKET - OPTIONAL | 1 |
| 5   | 36310  | WHEEL                             | 2 |
| 6   | 86100E | RETAINING RING 1.00 EXTERNAL      | 2 |
| 7   | 82710  | FLAT WASHER 1 x 1.50              | 2 |
| 8   | 391026 | RETAINING BOLT 5/8-11 x 1-1/2     | 2 |
| 9   | 391018 | WEAR PAD                          | 4 |
| 10  | 391015 | RETAINING TUBE                    | 2 |
| 11  | 81211  | ALLEN HEAD BOLT 3/8-16 x 1        | 4 |
| 12  | 83211  | NYLON LOCK NUT 3/8-16             | 4 |

## Section V - PARTS

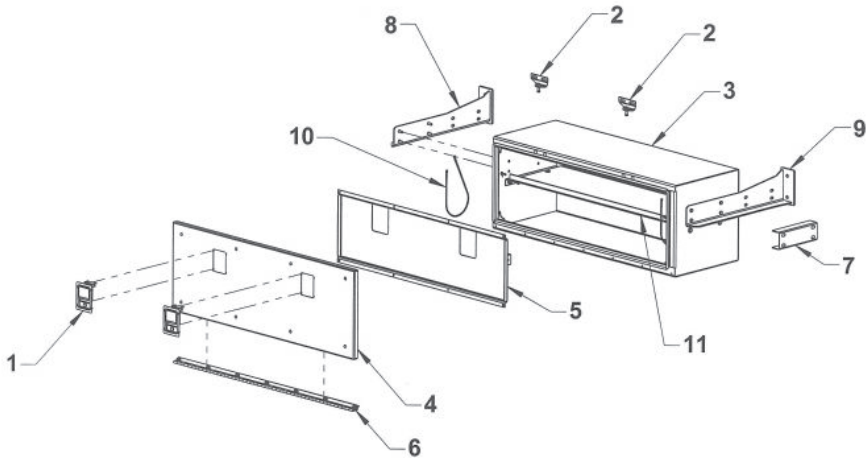
### 33" ALUMINUM TOOLBOX - 377000



| REF | PART #  | DESCRIPTION                             | QPU |
|-----|---------|---|-----|
| 1   | 54658   | ROTARY PADDLE LATCH                     | 1   |
|     | 54657   | GASKET FOR PADDLE LATCH                 | 1   |
|     | 81111   | #8-32 X 1/2 STAINLESS ONE WAY SCREW     | 4   |
|     | 83111   | #8-32 STAINLESS KEPT NUT                | 4   |
| 2   | 376182  | STRIKER PIN MOUNTING PLATE              | 1   |
|     | 54659   | STRIKER PIN                             | 1   |
|     | 81115   | STAINLESS CARRIAGE BOLT 5/16-18 x 3/4   | 2   |
|     | 82110   | FLAT WASHER 5/16                        | 4   |
|     | 82130   | LOCK WASHER 5/16                        | 2   |
|     | 83110   | NUT 5/16-18                             | 2   |
|     | 83125   | NYLON LOCK NUT 5/16-18                  | 1   |
|     | 377100W | BOX WELDMENT                            | 1   |
| 4   | 37741   | DOOR WELDMENT                           | 1   |
|     | 37740   | DOOR ASSEMBLY                           | 1   |
|     | 81100   | STAINLESS CARRIAGE BOLT 1/4-20 x 3/4    | 6   |
|     | 83105   | NYLON LOCK NUT 1/4-20                   | 6   |
| 5   | 37744   | DOOR REINFORCEMENT                      | 1   |
| 6   | 37735   | HINGE                                   | 1   |
|     | 811014  | SS SOCKET BUTTON HEAD BOLT 1/4-20 x 7/8 | 2   |
|     | 811012  | SS SOCKET BUTTON HEAD BOLT 1/4-20 x 3/4 | 3   |
|     | 811010  | SS SOCKET BUTTON HEAD BOLT 1/4-20 x 5/8 | 5   |
|     | 83105   | NYLON LOCK NUT 1/4-20                   | 10  |
| 7   | 37760   | TANDEM BOX SPACER CHANNEL (OPTIONAL)    | 1   |
| 8   | 37855R  | TANK AND TOOLBOX MT BRACKET-RIGHT       | 1   |
| 9   | 37855L  | TANK AND TOOLBOX MT BRACKET-LEFT        | 1   |
| 10  | 5A221   | LANYARD-21 INCH                         | 2   |
| 11  | 37770   | SHELF                                   | 1   |

## Section V - PARTS

### 49" ALUMINUM TOOLBOX - 378000



| REF | PART # | DESCRIPTION                             | QPU                |
|-----|--------|---|--------------------|
| 1   | 54658  | ROTARY PADDLE LATCH                     | 2                  |
|     | 54657  | GASKET FOR PADDLE LATCH                 | 2                  |
|     | 81111  | #8-32 X 1/2 STAINLESS ONE WAY SCREW     | 8                  |
|     | 83111  | #8-32 STAINLESS KEPT NUT                | 8                  |
| 2   | 376182 | STRIKER PIN MOUNTING PLATE              | 2                  |
|     | 54659  | STRIKER PIN                             | 2                  |
|     | 81115  | STAINLESS CARRIAGE BOLT 5/16-18 x 3/4   | 4                  |
|     | 82110  | FLAT WASHER 5/16                        | 8                  |
|     | 82130  | LOCK WASHER 5/16                        | 4                  |
|     | 83110  | NUT 5/16-18                             | 4                  |
|     | 83125  | NYLON LOCK NUT 5/16-18                  | 2                  |
|     | 3      | 378100W                                 | BOX WELDMENT       |
| 4   | 37841  | DOOR WELDMENT                           | 1                  |
|     | 37840  | DOOR ASSEMBLY                           | 1                  |
|     | 81100  | STAINLESS CARRIAGE BOLT 1/4-20 x 3/4    | 8                  |
|     | 83105  | NYLON LOCK NUT 1/4-20                   | 8                  |
|     | 5      | 37844                                   | DOOR REINFORCEMENT |
| 6   | 37835  | HINGE                                   | 1                  |
|     | 811014 | SS SOCKET BUTTON HEAD BOLT 1/4-20 x 7/8 | 2                  |
|     | 811012 | SS SOCKET BUTTON HEAD BOLT 1/4-20 x 3/4 | 5                  |
|     | 811010 | SS SOCKET BUTTON HEAD BOLT 1/4-20 x 5/8 | 7                  |
|     | 83105  | NYLON LOCK NUT 1/4-20                   | 14                 |
| 7   | 37760  | TANDEM BOX SPACER CHANNEL (OPTIONAL)    | 1                  |
| 8   | 37855R | TANK AND TOOLBOX MT BRACKET-RIGHT       | 1                  |
| 9   | 37855L | TANK AND TOOLBOX MT BRACKET-LEFT        | 1                  |
| 10  | 5A221  | LANYARD-21 INCH                         | 2                  |
| 11  | 37670  | SHELF                                   | 1                  |

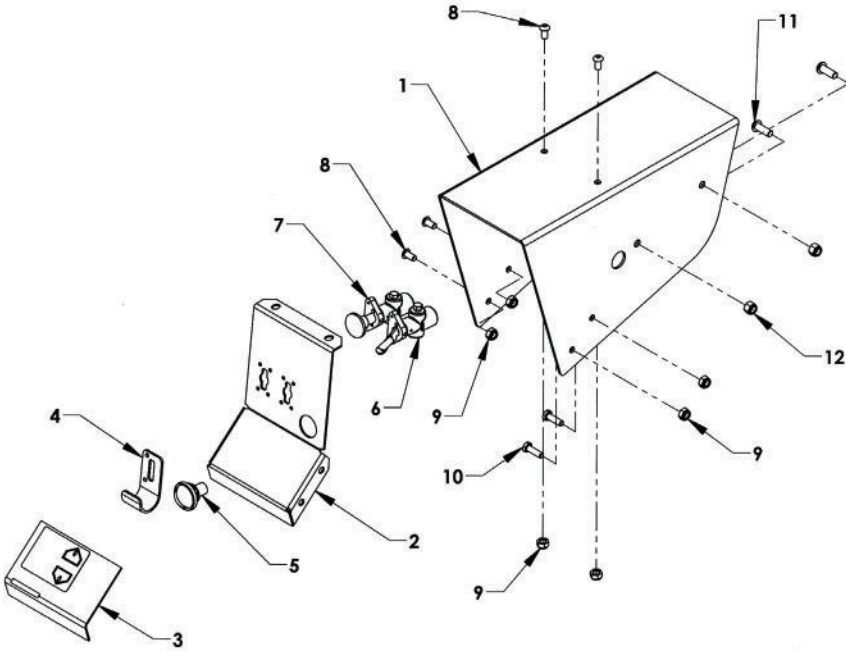
## Section V - PARTS

### DUAL DECK INCLINE ASSEMBLY

| REF | PART #              | DESCRIPTION                             | QPU |
|-----|---------------------|---|-----|
| 1   | 3DF210              | DD INCLINE WELDMENT                     | 1   |
| 2   | 3DF235              | WHEEL LOCK PLATE                        | 2   |
| 3   | 3DF136              | WEAR PAD                                | 6   |
| 4   | -                   | BOLT FSCS 1/4-20 UNC x 1                | 12  |
| 5   | -                   | WASHER 1/4 FLAT                         | 12  |
| 6   | -                   | NYLON LOCK NUT 1/4-20 UNC               | 12  |
| 7   | 0308990             | AIR CYLINDER 3.5 STROKE                 | 2   |
| 8   | 72A250035 ROSENBOOM | LIFT CYLINDER                           | 2   |
| 9   | 729450              | CYLINDER SHAFT GUARD                    | 2   |
| 10  | 7293530             | LIFT CYLINDER LOCK PIN                  | 2   |
| 11  | 84713               | LYNCH PIN 3/16                          | 2   |
| 12  | 3DF150              | LIFT CYLINDER KEEPER PIN -LOWER         | 2   |
| 13  | -                   | LOCK WASHER 5/16                        | 4   |
| 14  | -                   | BOLT HHCS 5/16-18 UNC x 1               | 2   |
| 15  | -                   | NYLON LOCK NUT 5/8-11 UNC               | 2   |
| 16  | -                   | BOLT HHCS 5/8-11 UNC x 2                | 12  |
| 17  | -                   | FLANGE LOCK NUT 5/8-11 UNC              | 14  |
| 18  | -                   | FLAT WASHER 5/8                         | 14  |
| 19  | 74521-WS            | LIMIT SWITCH-W0BBLE STICK               | 1   |
| 20  | 3DF260L             | DD LIFT TUBE CHANNEL LEFT               | 1   |
| 21  | 3DF260R             | DD LIFT TUBE-RIGHT                      | 1   |
| 22  | 3DF139              | DD WEAR PAD-UPPER REAR                  | 2   |
| 23  | 3DF138              | DD WEAR PAD -LOWER REAR                 | 2   |
| 24  | 3DF137              | DD WEAR PAD-FRONT                       | 2   |
| 25  | 86100I              | SNAP RING - 1 INCH INTERNAL             | 4   |
| 26  | 3DF266              | FRONT LIFT CYL TOP MTG PIN .980 x 2.188 | 2   |
| 27  | 72A25016            | DD FRONT LIFT CYLINDER                  | 2   |
| 28  | 3DF155              | FRNT LIFT CYL BOTM MTG PIN .980 x 4.875 | 2   |
| 29  | -                   | BOLT, HHCS, 5/16-18 UNC x 1-1/4         | 2   |
| 30  | -                   | 5/16 FLAT WASHER                        | 2   |
| 31  | -                   | HEX NUT 5/16-18 UNC                     | 2   |
| 32  | 3DF272              | FLUID TUBE - LEFT INNER                 | 1   |
| 33  | 3DF286              | FLUID TUBE - LEFT INNER                 | 1   |
| 34  | 3DF275L             | CYLINDER FLUID TUBE-LEFT                | 1   |
| 35  | 3DF274              | FLUID TUBE - RIGHT OUTER                | 1   |
| 36  | 3DF287              | FLUID TUBE - RIGHT OUTER                | 1   |
| 37  | 3DF290              | FLUID TUBE - MANIFOLD TO FLOW DIVIDER   | 1   |
| 38  | 3DF275R             | CYLINDER FLUID TUBE - RIGHT             | 1   |
| 39  | 74345               | COUNTERBALANCE VALVE                    | 2   |
| 40  | 74340               | FLOW DIVIDER MANIFOLD                   | 1   |
| 41  | 3DF270              | UPPER DD MANIFOLD                       | 1   |

# Section V - PARTS

## 2 AIR VALVE CONTROL STATION DUAL DECK

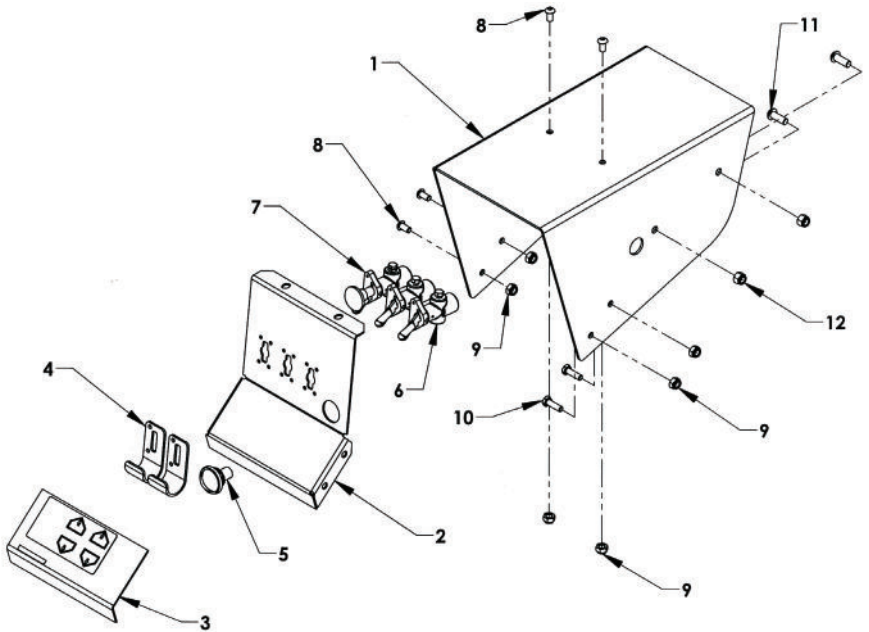


| REF. NO. | NO. REQ'D | PART NUMBER | DESCRIPTION                                |
|----------|-----------|-------------|--|
| 1        | 1         | 18148       | 2-TOGGLE AIR VALVE CONTROL HOOD            |
| 2        | 1         | 18149L      | 2-TOGGLE AIR VALVE CONTROL PANEL - LEFT    |
|          | 1         | 18149R      | 2-TOGGLE AIR VALVE CONTROL PANEL - RIGHT   |
| 3        | 1         | 18231L      | AIR SHIFT CONTROL PLACARD DD 3-CAR - LEFT  |
|          | 1         | 18231R      | AIR SHIFT CONTROL PLACARD DD 3-CAR - RIGHT |
| 4        | 1         | 18145       | TOGGLE AIR VALVE GUARD                     |
| 5        | 1         | 97300       | CONTROL LIGHT                              |
| 6        | 1         | 71716       | TOGGLE AIR VALVE                           |
| 7        | 1         | 71718       | MOMENTARY PUSH-IN AIR VALVE                |
| 8        | 4         | -           | BOLT BHCS 5/16-18 UNC x 5/8                |
| 9        | 6         | -           | NYLON LOCK NUT 5./16-18 UNC                |
| 10       | 2         | -           | BOLT HHCS 5/16-18 UNC x 1                  |
| 11       | 2         | -           | BOLT BHCS 3/8-16 UNC x 1                   |
| 12       | 2         | -           | NYLON LOCK NUT 3/8-16 UNC                  |



## Section V - PARTS

### 3 AIR VALVE CONTROL STATION DUAL DECK



| REF. NO. | NO. REQ'D | PART NUMBER | DESCRIPTION                                |
|----------|-----------|-------------|--|
| 1        | 1         | 18146       | 3-TOGGLE AIR VALVE CONTROL HOOD            |
| 2        | 1         | 18147L      | 3-TOGGLE AIR VALVE CONTROL PANEL - LEFT    |
|          | 1         | 18147R      | 3-TOGGLE AIR VALVE CONTROL PANEL - RIGHT   |
| 3        | 1         | 18234L      | AIR SHIFT CONTROL PLACARD DD 4-CAR - LEFT  |
|          | 1         | 18234R      | AIR SHIFT CONTROL PLACARD DD 4-CAR - RIGHT |
| 4        | 2         | 18145       | TOGGLE AIR VALVE GUARD                     |
| 5        | 1         | 97300       | CONTROL LIGHT                              |
| 6        | 2         | 71716       | TOGGLE AIR VALVE                           |
| 7        | 1         | 71718       | MOMENTARY PUSH-IN AIR VALVE                |
| 8        | 4         | -           | BOLT BHCS 5/16-18 UNC x 5/8                |
| 9        | 6         | -           | NYLON LOCK NUT 5/16-18 UNC                 |
| 10       | 2         | -           | BOLT HHCS 5/16-18 UNC x 1                  |
| 11       | 2         | -           | BOLT BHCS 3/8-16 UNC x 1                   |
| 12       | 2         | -           | NYLON LOCK NUT 3/8-16 UNC                  |