

CHEVRON



OWNER'S MANUAL

SERIES 10

INSTALLATION, OPERATION, MAINTENANCE & PARTS

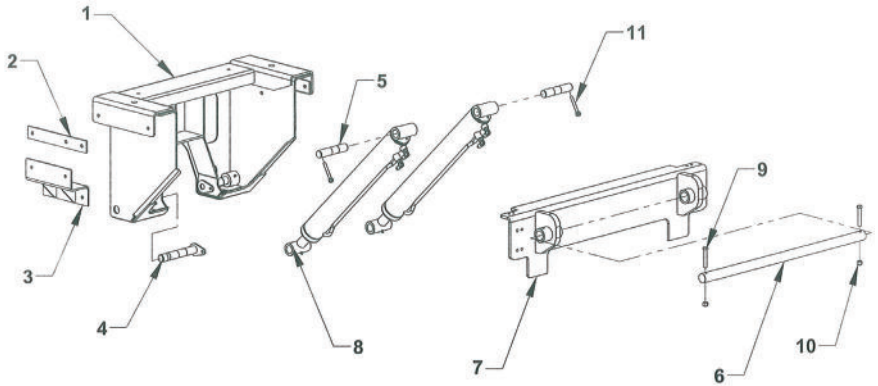
**NOTE: MANUAL including SPECIFICATIONS, subject to change without notice.
All ratings specified are based on structural factors only,
not vehicle capacities or capabilities.**

CHEVRON

Carriers & Wreckers
7320 W. Market Street
Mercer, PA 16137
Phone (724) 981-7500 • FAX (724) 981-4425
Toll Free (800) 886-6400
<http://www.chevroninc.com>

PART NO. OMC1000

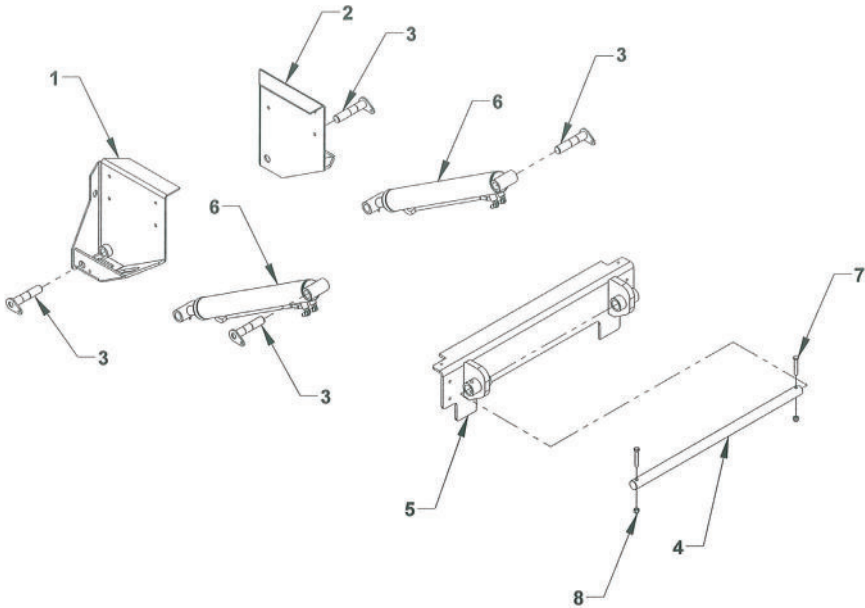
Section V - PARTS INBOARD TILT CYLINDERS



REF	PART #	DESCRIPTION	QPU
1	1A8002	INTERNAL SADDLE	1
2	1A821S	SADDLE SHIM	2
3	1A825	FRAME MOUNTING BRACKET	2
4	1A828A	INBOARD SADDLE TILT PIN	2
5	13068	PIN - TILT CYLINDER BASE	2
6	17198	HINGE PIN - 1-1/2 x 36	1
7	17500	HINGE ANGLE	1
8	721092	CYLINDER - CARRIER TILT	2
9	81451	BOLT 1/2-20 UNF x 3 GRADE 5	2
10	83324	NYLON LOCK NUT 1/2-20 UNF	2
11	84680	PIN EYE	2

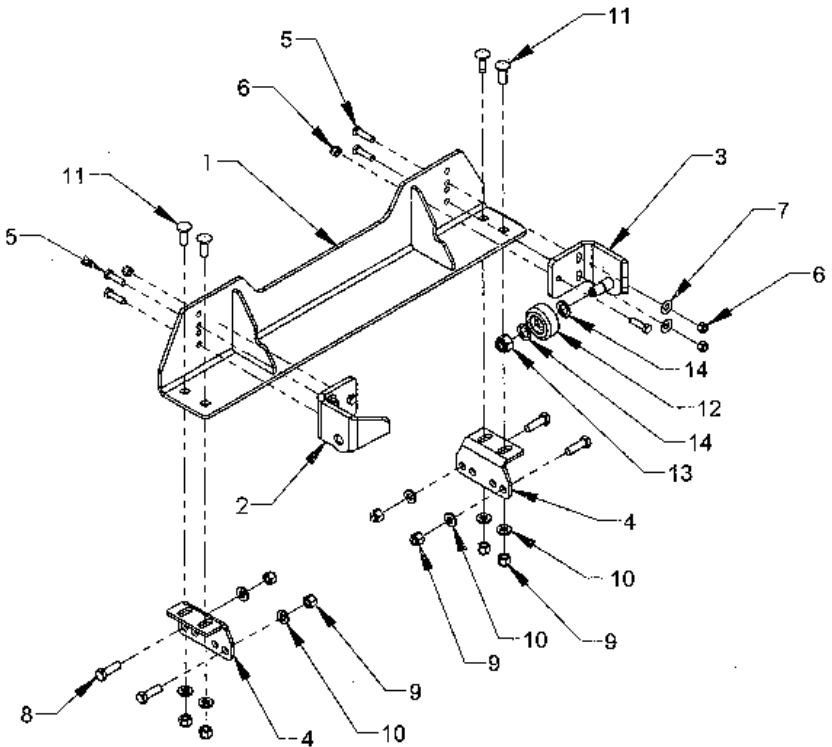
Section V - PARTS

OUTBOARD TILT CYLINDERS



REF	PART #	DESCRIPTION	QPU
1	1A730L	18 INCH OUTBOARD TILT SADDLE-LEFT	1
2	1A730R	18 INCH OUTBOARD TILT SADDLE - RIGHT	1
3	1A735	OUTBOARD TILT CYLINDER KEEP PIN	4
4	17198	HINGE PIN - 1-1/2 x 36	1
5	17500	HINGE ANGLE	1
6	721092	CYLINDER - CARRIER TILT	2
7	81451	BOLT 1/2-20 UNF x 3 GRADE 5	2
8	83324	NYLON LOCK NUT 1/2-20 UNF	2

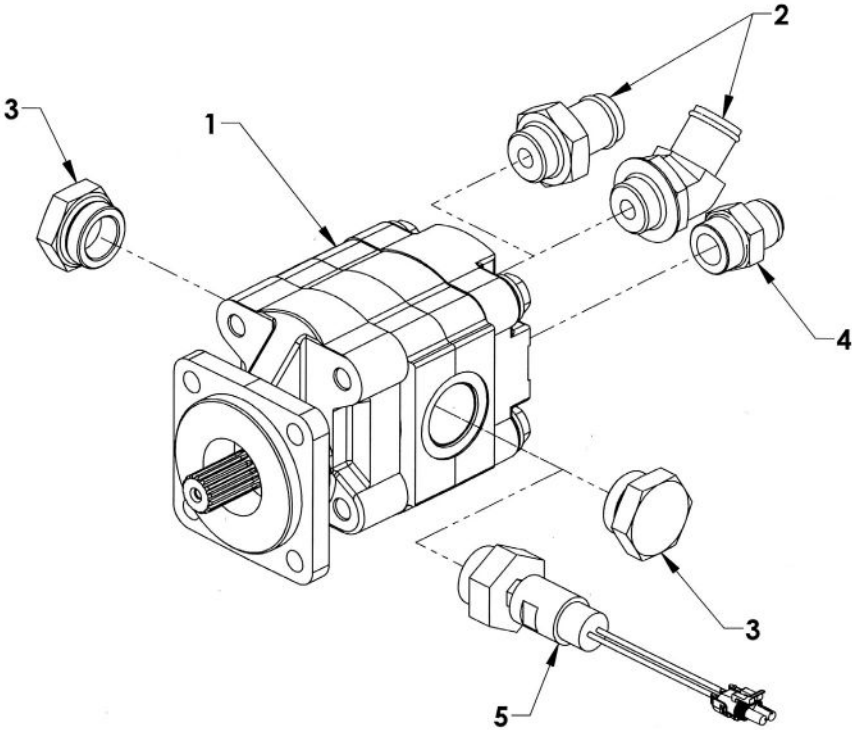
Section V - PARTS BODY LOCK



REF	PART #	DESCRIPTION	QPU
1	364002	BODY LOCK WELDMENT	1
2	36315L	BODY LOCK HOLD-DOWN (LEFT)	1
3	36315R	BODY LOCK HOLD-DOWN (RIGHT)	1
4	364062	MOUNTING BRACKET	2
5	81438	BOLT, HHCS 1/2-20 x 1-3/4	6
6	83324	NYLON LOCK NUT, 1/2-20 ZP	6
7	82310	FLAT WASHER, 1/2 ZP	4
8	81520	BOLT, HHCS 5/8-11 x 2 ZP GRADE 5	4
9	83411	NYLON LOCK NUT, 5/8-11 ZP	4
10	82410	FLAT WASHER, 5/8 ZP	8
11	81517	CARRIAGE BOLT, 5/8-11 x 1-3/4 ZP GRADE 5	4
12	36310	HOLD-DOWN WHEEL	2
13	83610	NYLON LOCK NUT, 7/8-14 ZP	2
14	82710	FLAT WASHER 1 ID x 1-1/2 OD	4

Section V - PARTS

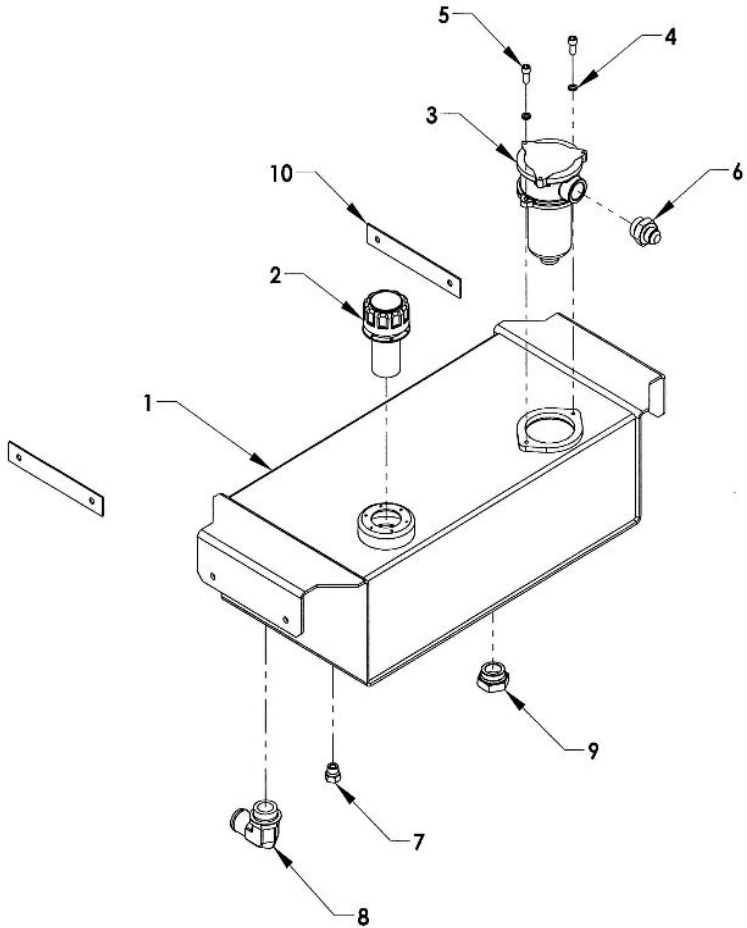
DIRECT MOUNT PUMP - 18 GPM



REF	PART #	DESCRIPTION	QPU
1	78007	18 GPM , 1 IN.15 SPLINE SHAFT, SAE 4-BOLT FLANGE	1
2	S14604-20 x 16	#16-45 M O-RING x 1-1/4 M NIPPLE	1
	S14603- 20 x 26F	#16 M O-RING x 1-1/4 NIPPLE	1
3	77620	1-1/4 O-RING PLUG 900598-20	2
4	779A7	#16 M O-RING X 3/4 MJIC	1
5	0909434	PRESSURE TRANSDUCER (OPTIONAL)	1

Section V - PARTS

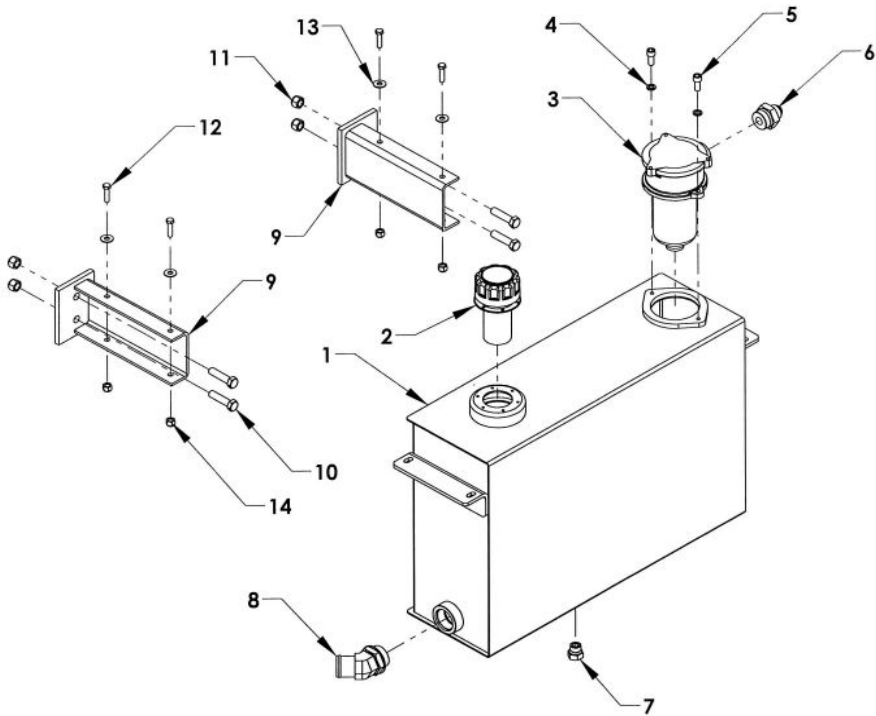
INBOARD OIL RESERVOIR GROUP



REF	PART #	DESCRIPTION	QPU
1	763100	INBOARD OIL RESERVOIR WELDMENT	1
2	76213	FILLER BREATHER CAP	1
3	76270	FILTER ASSEMBLY	1
	76271	REPLACEMENT FILTER ELEMENT	1
4	82220	LOCK WASHER 3/8 ZINC PLATE	2
5	812A8	BUTTON HEAD CAP SCREW 3/8-16 UNC x 7/8 SS	2
6	ADPTR202702-16x12	ADAPTOR 202702-16 x 12	1
7	ADPTR900598-8	ADAPTOR 900598-8 (DRAIN PLUG)	1
8	ADPTR2062-20 x 24H	20 x 24 SUCTION HOSE FITTING 90 DEGREES	1
9	ADPTR900598-20	ADAPTOR 900598-20 (DRAIN PLUG)	1
10	763106	FRAME WIDTH SHIM	2

Section V - PARTS

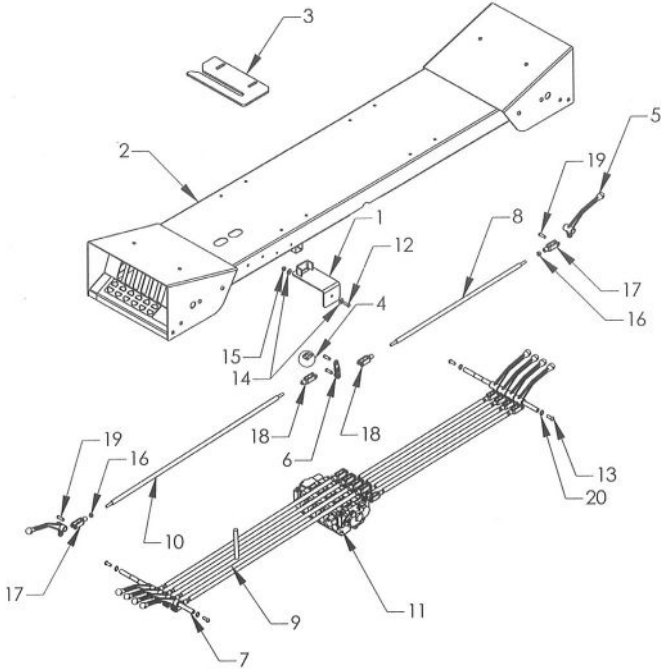
OUTBOARD OIL RESERVOIR GROUP



REF	PART #	DESCRIPTION	QPU
1	762102W	OUTBOARD OIL RESERVOIR WELDMENT	1
2	76213	FILLER BREATHER CAP	1
3	76270	FILTER ASSEMBLY	1
	76271	REPLACEMENT FILTER ELEMENT	1
4	82220	LOCK WASHER 3/8 ZINC PLATE	2
5	812A8	BUTTON HEAD CAP SCREW 3/8-16 UNC x 7/8 SS	2
6	ADPTR202702-16x12	ADAPTOR 202702-16 x 12	1
7	ADPTR900598-8	ADAPTOR 900598-8 (DRAIN PLUG)	1
8	ADPTR2062-20 x 24H	20 x 24 SUCTION HOSE FITTING 90 DEGREES	1
9	76280	TANK MOUNTING BRACKET	2
10	81440	BOLT 1/2-20 UNF x 2 GR 5 ZINC PLATED	4
11	83324	NYLON LOCK NUT 1/2-20 UNF ZINC PLATED	4
12	81128	BOLT 5/16-18 UNC x 1-1/4 ZINC PLATE	4
13	82110	FLAT WASHER 5/16 ZINC PLATED	4
14	83125	NLON LOCK NUT 5/16-18 UNC ZINC PLATED	4

Section V - PARTS

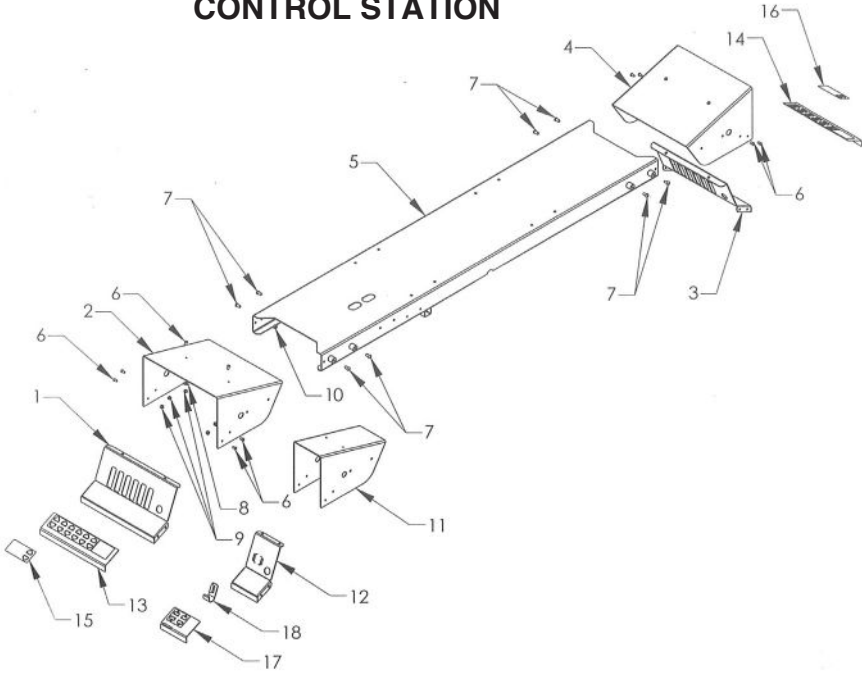
CONTROL COMPONENTS



REF	PART #	DESCRIPTION	QPU
1	181409	ANTI-TILT ROD GUIDE	1
2	183163	CONTROL BOX HOOD & ARM ASSEMBLY	1
3	33813	ANTI-TILT PLATE	1
4	7A010	PIN & LINK ASSEMBLY	5
5	7A111	CONTROL HANDLE	10
6	7A121	BELL CRANK	5
7	7A5752	HANDLE CROSS ROD	2
8	7A527A	CONTROL ROD 27-1/4	5
9	7A536A	ANTI-TILT CONTROL ROD 36-1/2	1
10	7A537A	CONTROL ROD 36-1/2	4
11	74115	CONTROL VALVE - 5 SPOOL	1
12	81110	BOLT 5/16-18 UNC x 7/8	1
13	812A9	BOLT 3/8-16 UNC x 1 BUTTON HEAD STAINLES	4
14	82110	FLAT WASHER 5/16	2
15	83125	NUT 5/16-18 UNC NYLON LOCK	1
16	83215	NUT 3/8-24 UNF	10
17	84530	CLEVIS 3/8-24 UNF RIGHT HAND THREAD	10
18	84540	CLEVIS 3/8-24 UNF LEFT HAND THREAD	10
19	84620	CLEVIS PIN 3/8	20
20	86062E	SNAP-RING 5/8 EXTERNAL	4

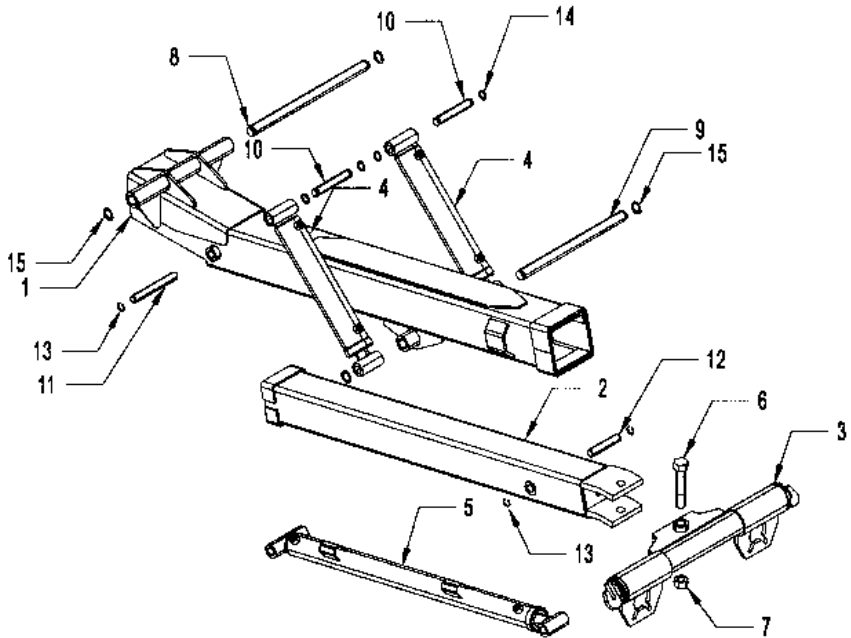
Section V - PARTS

CONTROL STATION



REF	PART #	DESCRIPTION	QPU
1	18126L	CONTROL PANEL - LEFT	1
2	181274L	CONTROL HOOD - LEFT	1
	181274KL	HOOD KIT - LEFT (PANEL, HOOD, BOLTS & NUTS)	
3	18126R	CONTROL PANEL - RIGHT	1
4	181274R	CONTROL HOOD - RIGHT	1
	181274KR	HOOD KIT - RIGHT (PANEL, HOOD, BOLTS & NUTS)	
5	181285W	CONTROL ARM WELDMENT	1
6	811A6	BOLT 5/16-18 UNC x 5/8 BUTTON HEAD STAINLESS	12
7	812A7	BOLT 3/8-16 UNC x 3/4 BUTTON HEAD STAINLESS	8
8	82110	FLAT WASHER 5/16	4
9	83125	NUT 5/16-18 UNC NYLON LOCK	12
10	83215	NUT 3/8-16 UNC NYLON LOCK	4
11	18148	AIR SWITCH CONTROL BOX HOOD	1
12	18149L	AIR SWITCH CONTROL PANEL	1
13	18214L	CONTROL PANEL I.D. PLATE (DRIVERS SIDE)	1
14	18214R	CONTROL PANEL I.D. PLATE (PASS. SIDE)	1
15	18213L	STABILIZER OVERLAY PLACARD (OPTIONAL)	1
16	18213R	STABILIZER OVERLAY PLACARD (OPTIONAL)	1
17	18221L	AIR SHIFT WINCH CONTROL PLACARD	1
18	18145	AIR SWITCH GUARD	1

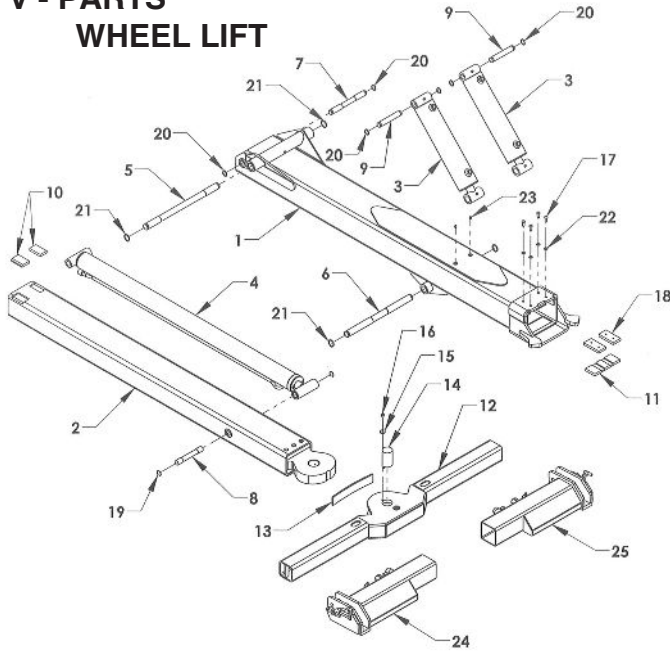
Section V - PARTS HITCH COMPONENTS



REF	PART #	DESCRIPTION	QPU
1	14130H	HITCH TUBE-OUTER	1
2	14120	HITCH TUBE-INNER	1
3	15009	TOWBAR	1
4	72133	HITCH LIFT CYLINDER	2
5	72134	HITCH EXTENSION CYLINDER	1
6	15021	TOWBAR BOLT	1
7	83610	7/8 NYLON LOCK NUT	1
8	14518	HITCH/WHEEL LIFT PIVOT PIN	1
9	14519	LIFT CYLINDER PIVOT PIN	1
10	17190	CYLINDER BASE PIN .980 x 5-7/8 SPRING	2
11	72936	CYLINDER BASE PIN .980 x 7-1/8	1
12	72941	CYLINDER ROD PIN .980 x 4-3/4	1
13	86100I	SNAP-RING 1.00 INTERNAL	4
14	86100E-1	SNAP-RING 1.00 EXTERNAL-7200	4
15	86125E-1	SNAP-RING 1.25 EXTERNAL-7200	4

Section V - PARTS

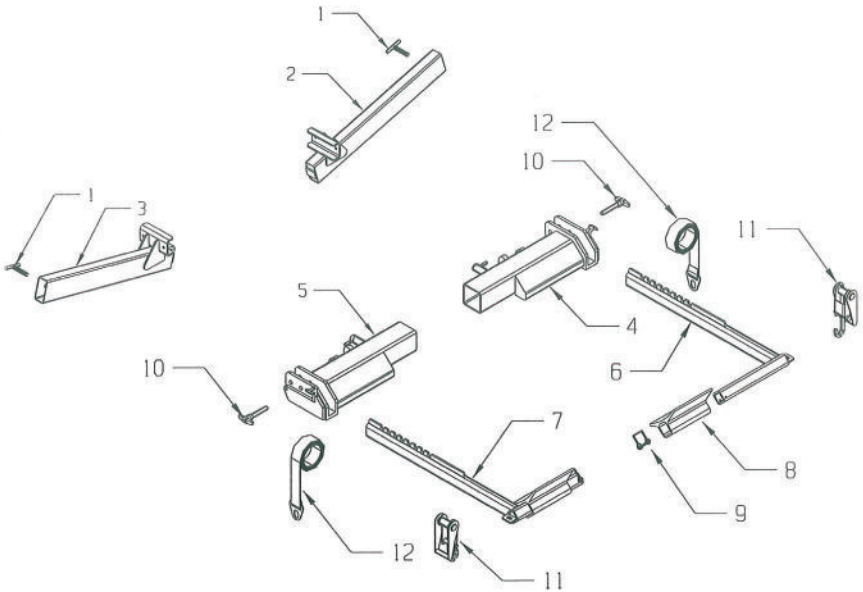
WHEEL LIFT



REF	PART #	DESCRIPTION	QPU
1	102412	WHEEL LIFT TUBE - OUTER	1
2	10244	WHEEL LIFT TUBE - INNER	1
3	72133	WHEEL LIFT LIFT CYLINDER	2
4	72127	WHEEL LIFT EXTENSION CYLINDER	1
5	14518	WHEEL LIFT PIVOT PIN	1
6	14519	LIFT CYLINDER PIVOT PIN	1
7	729352	EXTENSION CYLINDER BASE PIN .980 x 9-1/2	1
8	72940	EXTENSION CYLINDER ROD PIN .980 x 6-11/16	1
9	17190	LIFT CYLINDER BASE PIN .980 x 5-7/8 SPRING	2
10	65613	NYLATRON WEAR PAD	2
11	65611	NYLATRON WEAR PAD-GROOVED	1
12	65515	CROSSBAR	1
13	65228	LEAF SPRING	1
14	65435	CROSSBAR PIVOT PIN	1
15	82212	WASHER 3/8 I.D. x 1 O.D.	1
16	812A5	SOCKET HEAD BUTTON - 3/8 x 1/2	1
17	812A9	SOCKET HEAD BUTTON - 3/8 x 1	4
18	63595H	NYLATRON WEAR PAD	2
19	86100I	SNAP-RING 1.00 INTERNAL	2
20	86100E	SNAP-RING 1.00 EXTERNAL	6
21	86125E	SNAP-RING 1.25 EXTERNAL	4
22	82220	LOCK WASHER - 3/8	4
23	7B120	GREASE FITTING - 1/4	2
24	65265L	WHEEL GRID - LEFT	1
25	65265R	WHEEL GRID - RIGHT	1

Section V - PARTS

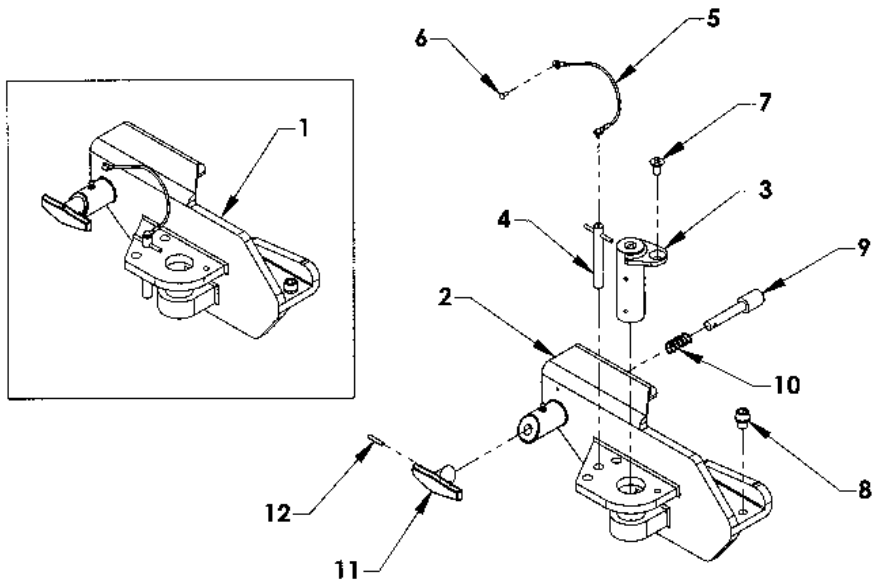
WHEEL LIFT/RELEASABLE L-ARMS



REF	PART #	DESCRIPTION	QPU
1	12614	FRICITION PIN L-ARM STORAGE TUBE	2
2	12615R	L-ARM STORAGE TUBE - RIGHT	1
3	12615L	L-ARM STORAGE TUBE - LEFT	1
4	65265R	WHEEL GRID - RIGHT	1
5	65265L	WHEEL GRID - LEFT	1
6	65250R	WHEEL RETAINER - RIGHT	1
7	65250L	WHEEL RETAINER - LEFT	1
8	65245	REMOVABLE PAN	2
9	84911	5/16 SAFETY SNAP PIN	2
10	84921	T-PIN WITH LANYARD	2
11	65280A	RATCHET	2
12	65285	WHEEL STRAP	2

Section V - PARTS

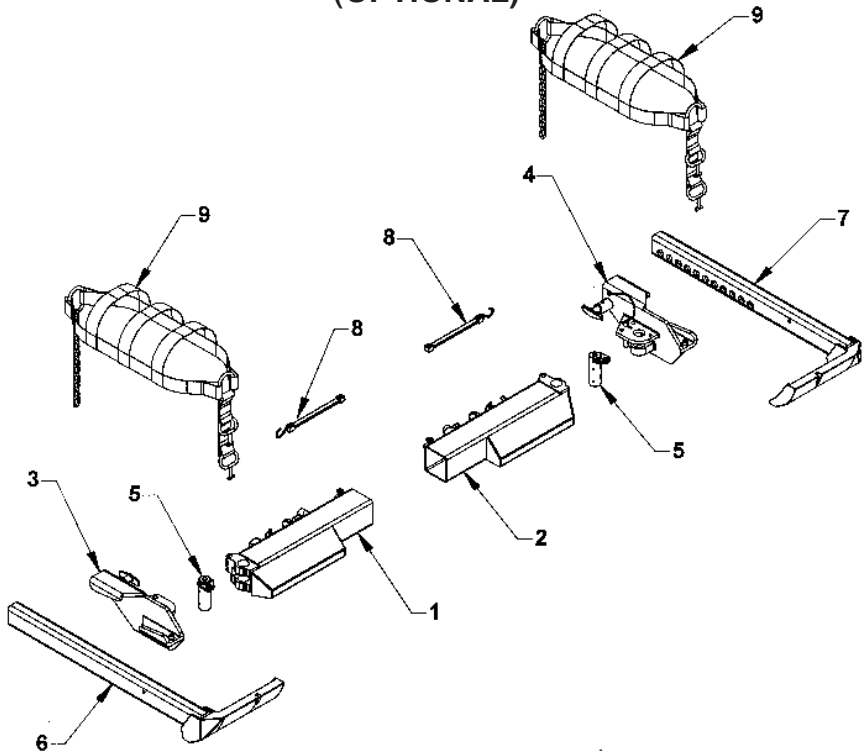
PIVOT L-ARM RECEIVER GROUP (OPTIONAL)



REF	PART #	DESCRIPTION	QPU
1	659820L	PIVOT L-ARM RECEIVER GROUP-LEFT	1
	659820R	PIVOT L-ARM RECEIVER GROUP-RIGHT (SHOWN)	1
2	659821L	PIVOT L-ARM RECEIVER CASTING-LEFT	1
	659821R	PIVOT L-ARM RECEIVER CASTING-RIGHT (SHOWN)	1
3	659822	L--ARM RECEIVER CASTING PIVOT PIN	1
4	659826	PIVOT LOCK PIN	1
5	659827	LANYARD	1
6	85016	RIVET	1
7	81225	FLAT HEAD SOCKET CAP SCREW 3/8-16 UNC X 1/2	1
8	81226	TAPERED SOCKET CAP SCREW 1/2-13 UNC X 1/2	1
9	659824	7/8 CAM PIN	1
10	89100	CAM PIN SPRING	1
11	659825	T-HANDLE	1
12	84675	ROLL PIN 3/16 X 1	1

Section V - PARTS

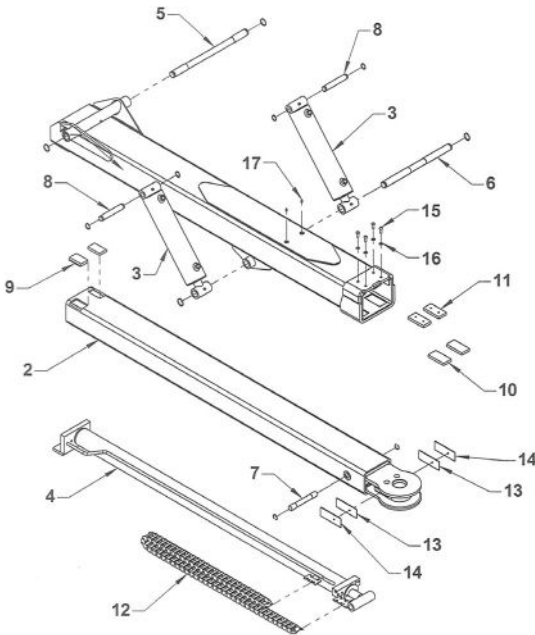
PIVOT WHEEL GRIDS AND L-ARMS (OPTIONAL)



REF	PART #	DESCRIPTION	QPU
1	659811L	PIVOT WHEEL GRID-LEFT	1
2	659811R	PIVOT WHEEL GRID-RIGHT	1
3	659820L	PIVOT L-ARM RECEIVER GROUP-LEFT	1
4	659820R	PIVOT L-ARM RECEIVER GROUP-RIGHT	1
5	659822	L-ARM RECEIVER CASTING PIVOT PIN	1
6	659830L	LEFT ALUMINUM L-ARM	1
7	659830R	RIGHT ALUMINUM L-ARM	1
8	AA009G	RUBBER TENSION STRAP WITH S-HOOK	2
9	65286	BASKET STRAP-CAR	2
	65287	BASKET STRAP-TRUCK	2

Section V - PARTS

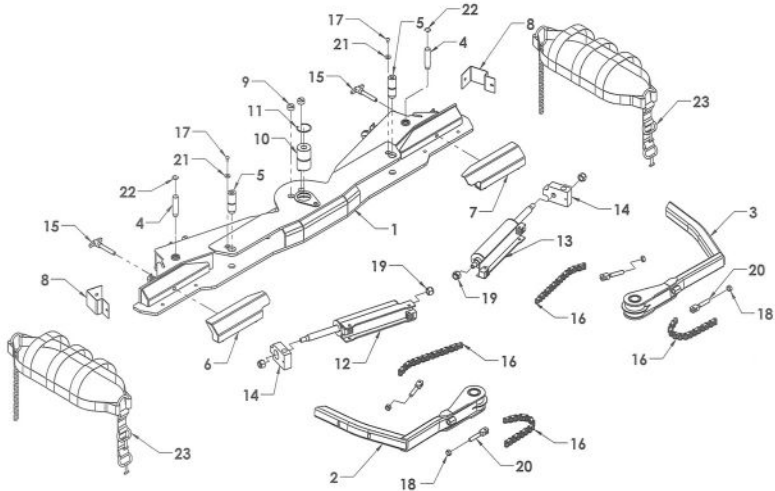
AUTOGRIP II UNDERLIFT



REF	PART #	DESCRIPTION	QPU
1	102512	OUTER BOOM TUBE	1
2	102522	INNER BOOM TUBE	1
3	72133	LIFT CYLINDER SERIES 10	2
	72135	LIFT CYLINDER SERIES 12/14	2
4	72136	EXTENSION CYLINDER	1
5	14518	WHEEL LIFT PIVOT PIN	1
	86125E	SNAP-RING 1.25 EXTERNAL	2
6	14519	LIFT CYLINDER PIVOT PIN	1
	86125E	SNAP-RING 1.25 EXTERNAL	2
7	72940	EXTENSION CYLINDER PIN .980 x 6-5/8	1
	86100I	SNAP-RING 1.00 INTERNAL	2
8	17190	LIFT CYLINDER PIN .980 x 5-7/8	2
	86100E	SNAP-RING 1.00 INTERNAL	4
9	65613	NYLATRON WEAR PAD	2
	63595	NYLATRON WEAR PAD	1
	63595H	NYLATRON WEAR PAD	1
12	69757	HOSE TRACK	1
13	64304R	RUBBER PAD	2
14	64304C	HOSE CLAMP PLATE	2
	81103	BOLT 1/4-20 x 3/4	2
	812AP	SOCKET HEAD BUTTON - 3/8 x 1	4
	82220	LOCK WASHER - 3/8	4
	7B120	GREASE FITTING - 1/4	2

Section V - PARTS

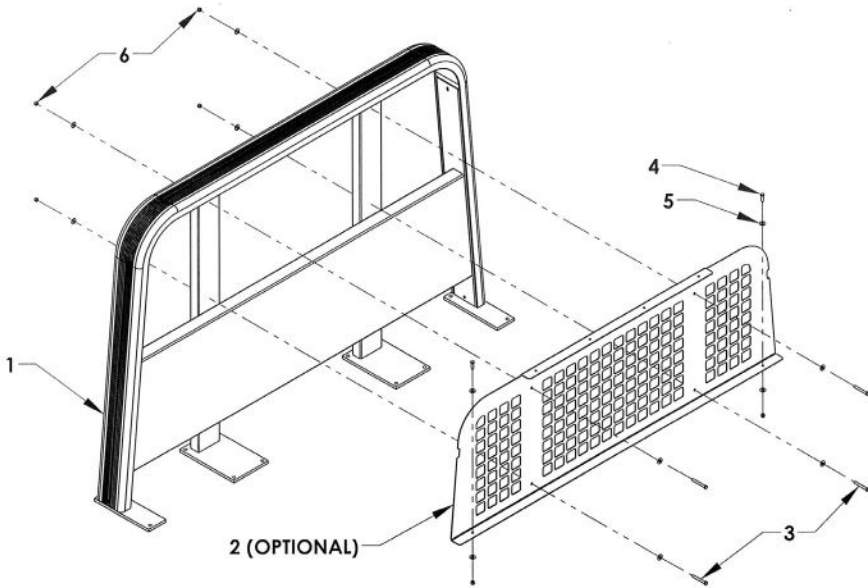
AUTOGRIP II COMPONENTS



REF NO.	PART NUMBER	DESCRIPTION	QTY
1	644002	CROSSBAR WELDMENT	
2	644352CL	WHEEL RETAINER - LEFT	1
3	644352CR	WHEEL RETAINER - RIGHT	1
4	644432	WHEEL RETAINER CYLINDER PIN	2
5	644452	ARM PIVOT PIN	2
6	697402L	WHEEL SPACER - LEFT	1
7	697402R	WHEEL SPACER - RIGHT	1
8	644292	HOSE GUARD	2
9	64327	SCREW-PLUG CROSSBAR DETENT	2
10	644402	CROSSBAR PIN	1
11	862501	SNAP RING 2.500 INCH INTERNAL	1
12	720152L	WHEEL RETAINER CYLINDER - LEFT	1
13	720152R	WHEEL RETAINER CYLINDER - RIGHT	1
14	727162	L-ARM CYLINDER END BLOCK	2
15	84291	T-PIN 5/8 x 3	2
16	87440	AUTOGRIP ARM CHAIN	4
	81127	5/16 x 1-1/4 SHOULDER SHCS 1/4-20 UNC	4
	83105	1/4-20 UNC NYLON LOCK NUT	4
17	812A5	3/8 ALLEN BOLT	2
18	83411	5/8 NYLON LOCK NUT	4
19	83520	3/4 NYLON LOCK NUT	2
20	64441	CHAIN CLEVIS	4
	81126	5/16 x 1 SHOULDER SHCS 1/4-20 UNC	4
	83105	1/4-20 UNC NYLON LOCK NUT	4
21	82110	5/16 FLAT WASHER	2
22	861001	SNAP-RING 1.000 INCH INTERNAL	2
23	65286	BASKET TIRE STRAP - AUTO	2
	66287	BASKET TIRE STRAP - TRUCK	2

Section V - PARTS

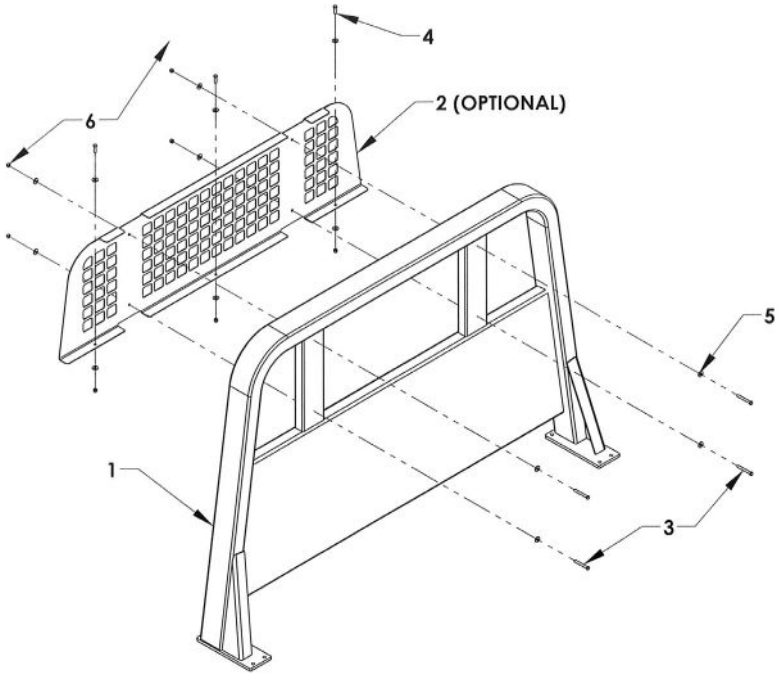
JXL CAB PROTECTOR



REF	PART #	DESCRIPTION	QPU
1	35A044	JXL CAB PROTECTOR - 44 INCHES	1
	35A046	JXL CAB PROTECTOR - 46 INCHES	1
	35A048	JXL CAB PROTECTOR - 48 INCHES	1
	35A050	JXL CAB PROTECTOR - 50 INCHES	1
	35A052	JXL CAB PROTECTOR - 52 INCHES	1
	35A056	JXL CAB PROTECTOR - 56 INCHES	1
	35A060	JXL CAB PROTECTOR - 60 INCHES	1
	2	35AS44	JXL WINDOW SCREEN PANEL - 44 INCHES
35AS46		JXL WINDOW SCREEN PANEL - 46 INCHES	1
35AS48		JXL WINDOW SCREEN PANEL - 48 INCHES	1
35AS50		JXL WINDOW SCREEN PANEL - 50 INCHES	1
35AS52		JXL WINDOW SCREEN PANEL - 52 INCHES	1
35AS56		JXL WINDOW SCREEN PANEL - 56 INCHES	1
35AS60		JXL WINDOW SCREEN PANEL - 60 INCHES	1
3	81275	BOLT 3/8-16 UNC x 3 GR 5 ZINC PLATED	4
4	81232	BOLT 3/8-16 UNC x 1-1/4 GR 5 ZINCH PLATED	2
5	82210	FLAT WASHER, 3/8 ZINC PLATED	12
6	83211	NYLON LOCK NUT 3/8-16 UNC, ZINC PLATED	6

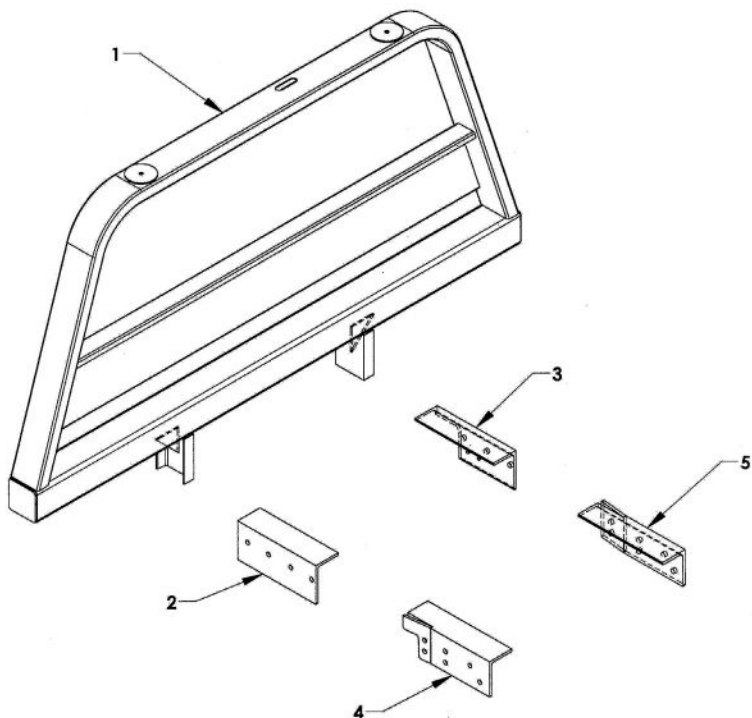
Section V - PARTS

MODEL F CAB PROTECTOR (SHORT FOOT)



REF	PART #	DESCRIPTION	QPU
1	3512046	MODEL F CAB PROTECTOR - 46 INCHES	1
	3512048	MODEL F CAB PROTECTOR - 48 INCHES	1
	3512050	MODEL F CAB PROTECTOR - 50 INCHES	1
	3512052	MODEL F CAB PROTECTOR - 52 INCHES	1
	3512056	MODEL F CAB PROTECTOR - 56 INCHES	1
	3512060	MODEL F CAB PROTECTOR - 60 INCHES	1
	3512063	MODEL F CAB PROTECTOR - 63 INCHES	1
	3512068	MODEL F CAB PROTECTOR - 68 INCHES	1
2	35246WS	MODEL F WINDOW SCREEN PANEL - 46 INCHES	1
	35248WS	MODEL F WINDOW SCREEN PANEL - 48 INCHES	1
	35250WS	MODEL F WINDOW SCREEN PANEL - 50 INCHES	1
	35252WS	MODEL F WINDOW SCREEN PANEL - 52 INCHES	1
	35256WS	MODEL F WINDOW SCREEN PANEL - 56 INCHES	1
	35260WS	MODEL F WINDOW SCREEN PANEL - 60 INCHES	1
	35263WS	MODEL F WINDOW SCREEN PANEL - 63 INCHES	1
	35268WS	MODEL F WINDOW SCREEN PANEL - 68 INCHES	1
3	81275	BOLT 3/8-16 UNC x 3 GR 5 ZINC PLATED	4
4	81232	BOLT 3/8-16 UNC x 1-1/4 GR 5 ZINCH PLATED	3
5	82210	FLAT WASHER, 3/8 ZINC PLATED	14
6	83211	NYLON LOCK NUT 3/8-16 UNC, ZINC PLATED	7

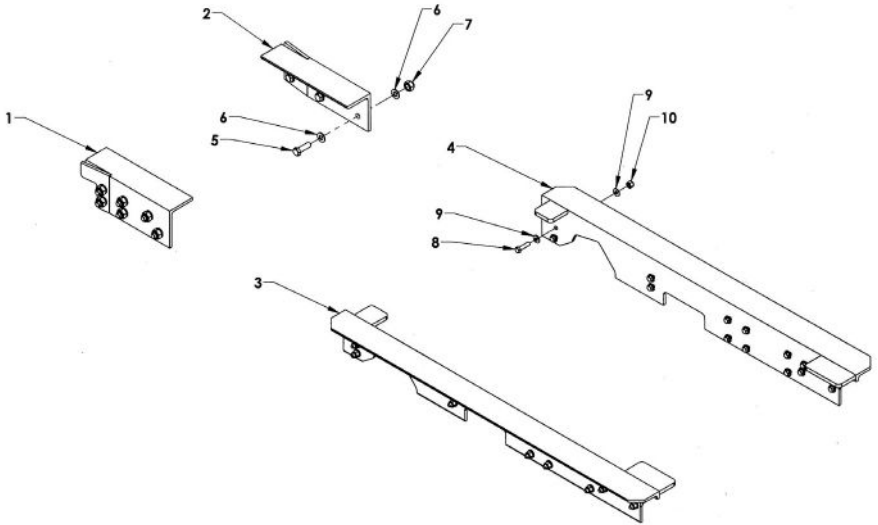
Section V-PARTS
38 INCH FRAME MOUNTED PYLON
DODGE/FORD



REF	PART #	DESCRIPTION	QPU
1	0809619-38D	FRAME MOUNTED PYLON-DODGE	1
2	0752169L	FORD F550 FMP MOUNTING ANGLE - LEFT	1
3	0752169R	FORD F550 FMP MOUNTING ANGLE - RIGHT	1
4	0751301L-2013	2013 DODGE FRAME MOUNTING ANGLE - LEFT	1
5	0751301R	2011 DODGE FRAME MOUNTING ANGLE - RIGHT	1

Section V-PARTS

2013 DODGE FRAME REINFORCEMENTS & FRAME MOUNTED PYLON BRACKETS



REF	PART #	DESCRIPTION	QPU
1	0751301L-2013	DODGE FRAME MOUNTING ANGLE - LEFT	1
2	0751301R	DODGE FRAME MOUNTING ANGLE - RIGHT	1
3	0809869L	DODGE REINFORCEMENT ANGLE WLDMT - LEFT	1
4	0809569R	DODGE REINFORCEMENT ANGLE WLDMT - RIGHT	1
5	-	BOLT KIT, DODGE FRAME MOUNTING ANGLE	
	-	BOLT, HHCS 5/8-11 UNC x 2	12
6	-	FLAT WASHER 5/8	24
7	-	NYLON LOCK NUT 5/8-11 UNC	12
	0940321	BOLT KIT, DODGE FRAME REINFORCEMENT	
8	-	BOLT, HHCS 7/16-14 UNC x 1-3/4	26
9	-	FLAT WASHER 7/16	52
10	-	NYLON LOCK NUT 7/16-14 UNC	26

Section V - PARTS

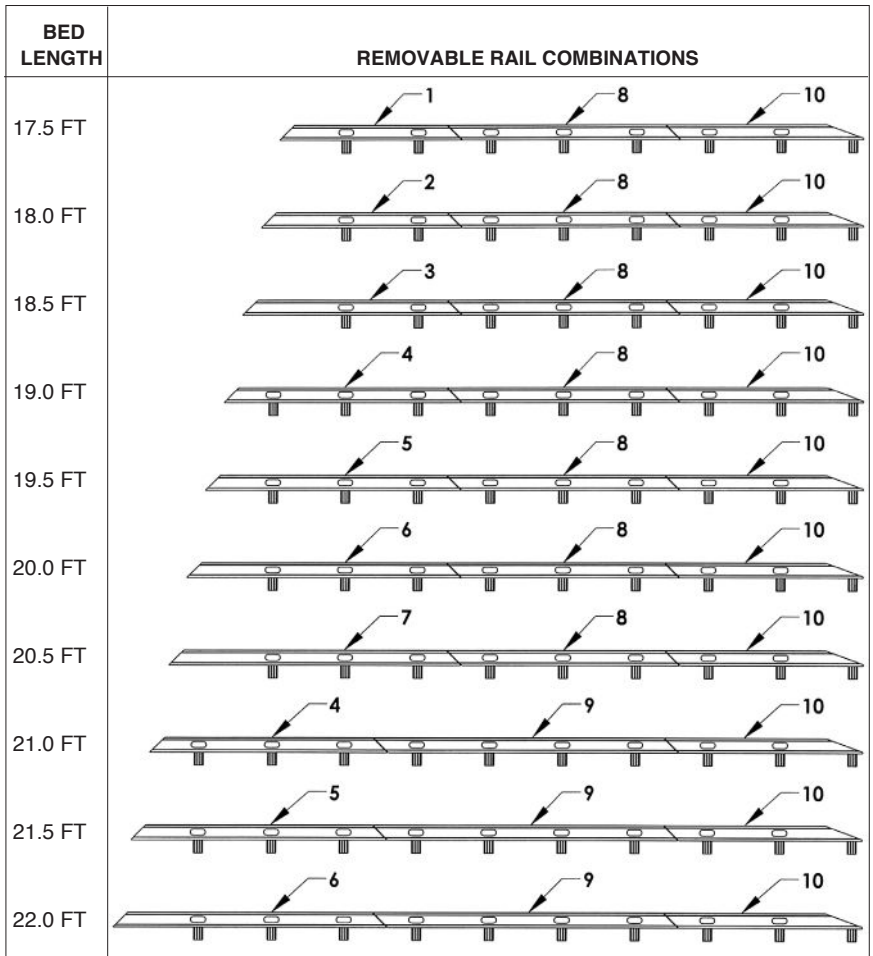
REMOVABLE TUBE SIDE RAILS

BED LENGTH	REMOVABLE RAIL COMBINATIONS
17.5 TO 18.5 FT	
19 TO 20.5 FT	
21 TO 22 FT	

REF	PART #	DESCRIPTION	QPU
1	346049F	FRONT REMOVABLE TUBE RAIL - 2 POST	SEE CHART
2	346071F	FRONT REMOVABLE TUBE RAIL - 3 POST	SEE CHART
3	346095F	FRONT REMOVABLE TUBE RAIL - 4 POST	SEE CHART
4	346071M	MIDDLE REMOVABLE TUBE RAIL - 3 POST	SEE CHART
5	346064	REAR REMOVABLE TUBE RAIL - 3 POST	SEE CHART

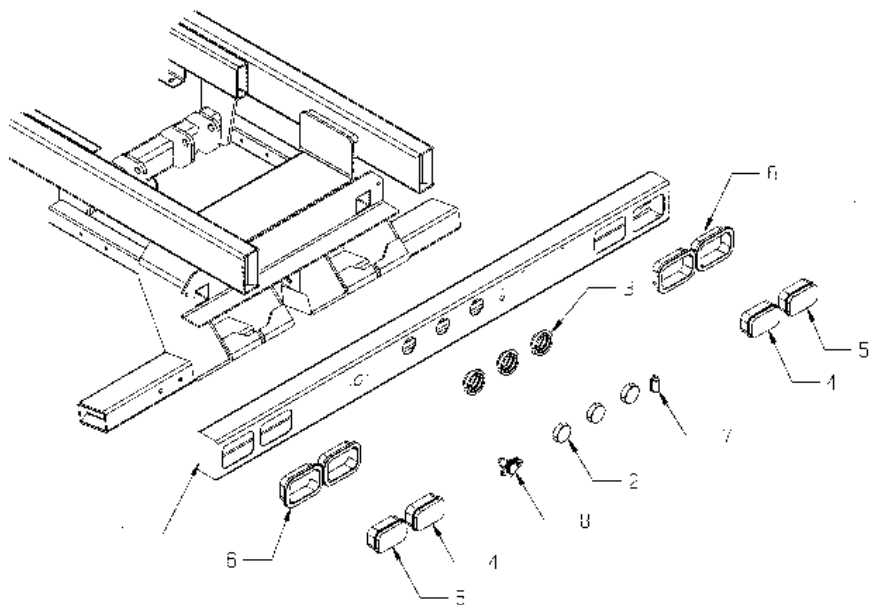
Section V - PARTS

REMOVABLE BLADE SIDE RAILS



REF	PART #	DESCRIPTION	QPU
1	34B060FL	FRONT REMOVABLE BLADE RAIL - 2 POST	SEE CHART
2	34B066FL	FRONT REMOVABLE BLADE RAIL - 2 POST	SEE CHART
3	34B072FL	FRONT REMOVABLE BLADE RAIL - 2 POST	SEE CHART
4	34B078FL	FRONT REMOVABLE BLADE RAIL - 3 POST	SEE CHART
5	34B084FL	FRONT REMOVABLE BLADE RAIL - 3 POST	SEE CHART
6	34B090FL	FRONT REMOVABLE BLADE RAIL - 3 POST	SEE CHART
7	34B096FL	FRONT REMOVABLE BLADE RAIL - 3 POST	SEE CHART
8	34B072ML	MIDDLE REMOVABLE BLADE RAIL - 3 POST	SEE CHART
9	34B096ML	MIDDLE REMOVABLE BLADE RAIL - 4 POST	SEE CHART
10	34B064RL	REAR REMOVABLE BLADE RAIL - 3 POST	SEE CHART

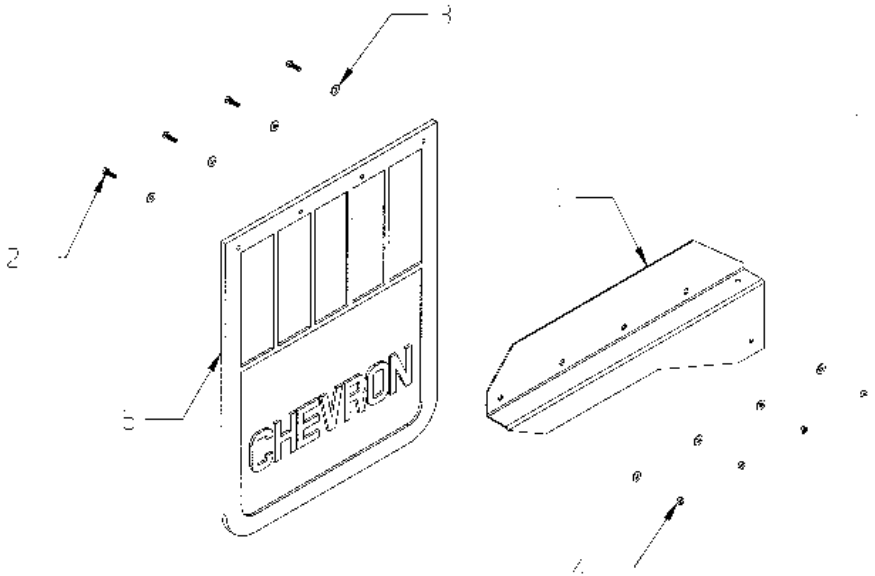
Section V - PARTS TAIL LIGHT COMPONENTS



REF	PART #	DESCRIPTION	QPU
1	19170	TAIL LIGHT HOUSING	1
	19500	TAIL LIGHT HOUSING - FOREIGN	1
2	94500	ICC LIGHT 2" ROUND	3
3	94550	GROMMET 2" ROUND	3
4	95500	LIGHT - BACKUP MODEL 45204	2
5	96500	LIGHT - TAIL, STOP, TURN MODEL 45202R	2
6	96550	GROMMET MODEL 45700	4
7	97150	LIGHT - LICENSE PLATE	1
8	98400	TOW LIGHT PLUG-4 PRONG	1
	98600	TOW LIGHT PLUG-6 PRONG	1

Section V - PARTS

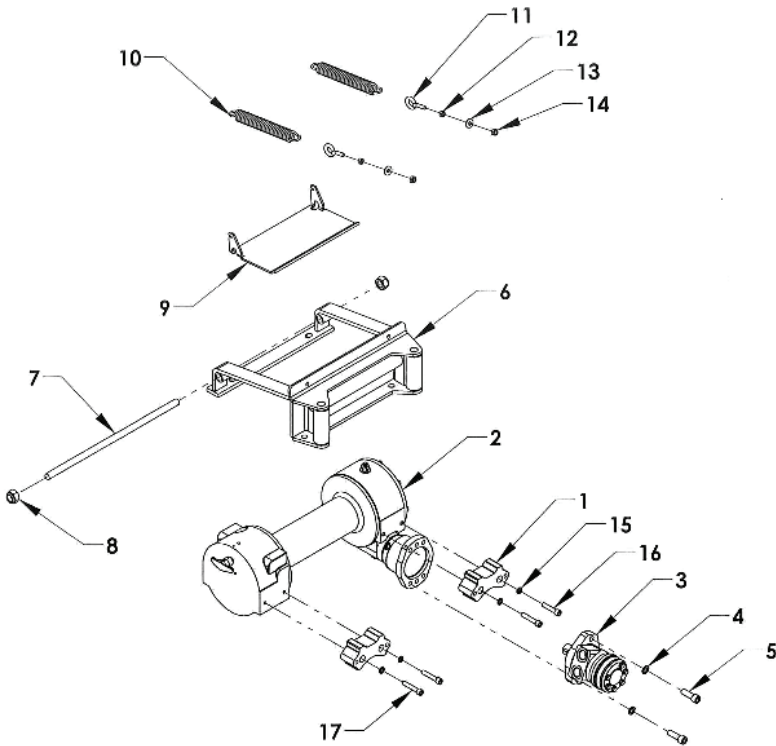
MUDFLAP COMPONENTS



REF	PART #	DESCRIPTION	QPU
1	12355L	MUDFLAP MOUNTING BRACKET	1
	12355R	MUDFLAP MOUNTING BRACKET	1
2	81110	5/16 x 1 BOLT	8
3	82110	5/16 FLAT WASHER	16
4	83125	5/16 NYLON LOCK NUT	8
5	A1026	MUDFLAP 22 x 26	2

Section V - PARTS

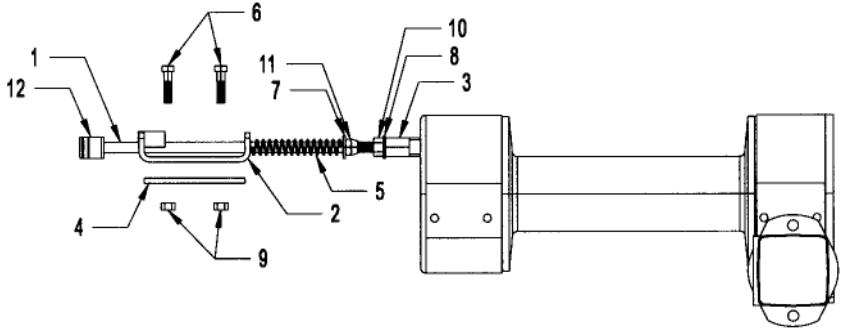
RAMSEY WINCH GROUP



REF	PART #	DESCRIPTION	QPU
1	31A05	RAMSEY WINCH MOUNTING ADAPTOR BLOCK	2
2	71104	RAMSEY WINCH - 8,000 LBS. 11 INCH DRUM	1
	71104A	RAMSEY WINCH - 8,000 LBS. 11 INCH DRUM, AIRSHIFT	1
3	71901	RAMSEY WINCH MOTOR	1
4	82320	LOCK WASHER 1/2 ZINC PLATED	2
5	81430	BOLT 1/2-13 UNC x 1-1/2 ZINC PLATED	2
6	A90140	ROLLER GUIDE	1
7	A9020	TENSION PLATE HINGE PIN	1
8	83411	NYLON LOCK NUT 5/8-11 UNC ZINC PLATED	2
9	A9021	TENSION PLATE, 8 INCH DRUM	1
10	A9018S	TENSION SPRING 40 LB/INCH	2
11	81180	EYE-BOLT 5/16-18 UNC x 1 ZINC PLATED	2
12	82110	FLAT WASHER 5/16 ZINC PLATED	2
13	83125	NYLON LOCK NUT 5/16-18 UNC ZINC PLATED	2
14	83120	NUT 5/16-18 UNC ZINC PLATED	2
15	82220	LOCK WASHER 3/8 ZINC PLATED	4
16	81243	SOCKET HEAD CAP SCREW 3/8-16 UNC x 1-3/4 SS	1
17	81244	SOCKET HEAD CAP SCREW 3/8-16 UNC x 2 SS	3

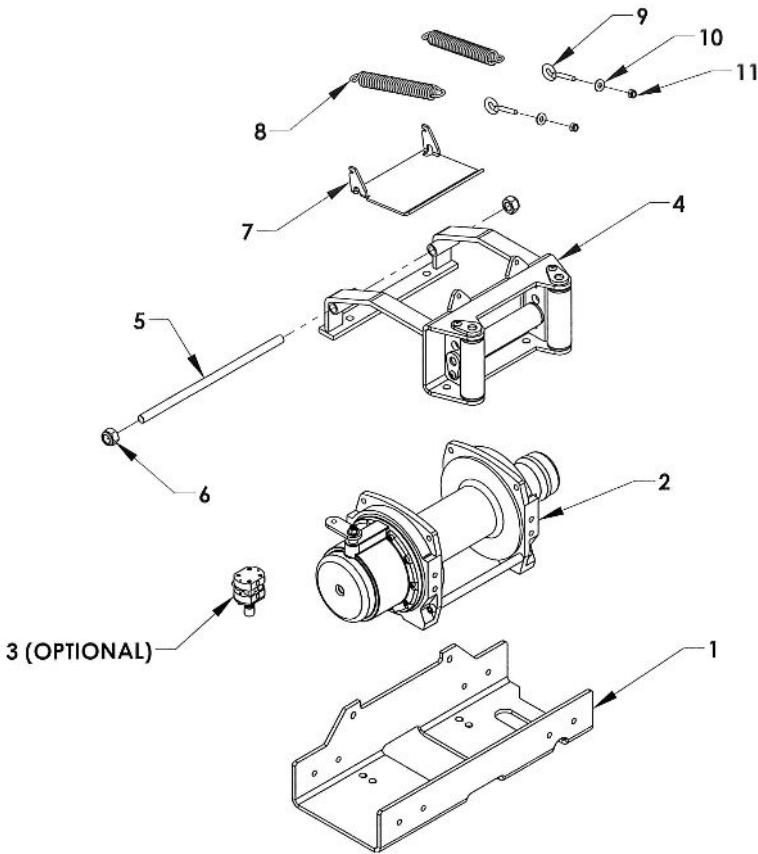
Section V - PARTS

RAMSEY WINCH CLUTCH HANDLE



REF	PART #	DESCRIPTION	QPU
1	71810	REMOTE CLUTCH ROD	1
2	71811	REMOTE CLUTCH MOUNTING BRACKET	1
3	71812	1/2-13 UNC COUPLING	1
4	71813	1/4 UHMW SHIM (FOR STEEL CARRIERS)	1
5	71815	REMOTE CLUTCH SPRING	1
6	81243	3/8 x 1-3/4 UNC BOLT	2
7	82310	1/2 FLAT WASHER	1
8	82320	1/2 LOCK WASHER	1
9	83211	3/8-13 UNC NYLON LOCK NUT	2
10	83311	1/2-13 UNC NUT	1
11	83321	1/2-13 UNC NYLON LOCK NUT	1
12	88105	T-HANDLE	1
	84665	5/32 x 1 PLATED ROLL PIN	1

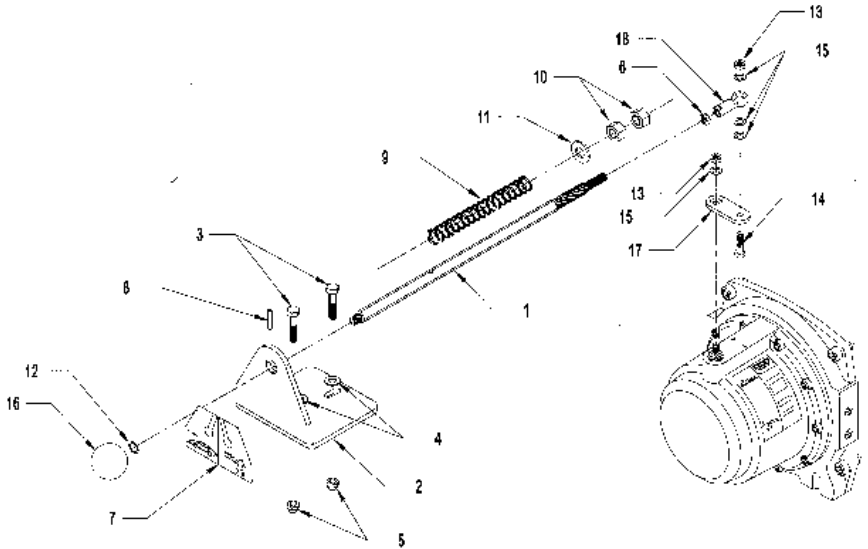
Section V - PARTS WARN WINCH GROUP



REF	PART #	DESCRIPTION	QPU
1	31025	WARN WINCH MOUNTING PLATE	1
2	71109	WARN WINCH - 9,000 LBS. 8 INCH DRUM, OVERWIND	1
	71112	WARN WINCH - 12,000 LBS. 8 INCH DRUM, OVERWIND	1
	71115	WARN WINCH - 15,000 LBS. 8 INCH DRUM, OVERWIND	1
3	71885	AIR-SHIFT CLUTCH CYLINDER	1
4	A90209	ROLLER GUIDE	1
5	A9008	TENSION PLATE HINGE PIN	1
6	83411	NYLON LOCK NUT 5/8-11 UNC ZINC PLATED	2
7	A9009N	TENSION PLATE, 8 INCH DRUM	1
8	A9018S	TENSION SPRING 40 LB/INCH	2
9	81181	EYE-BOLT 5/16-18 UNC x 2 ZINC PLATED	2
10	82110	FLAT WASHER 5/16 ZINC PLATED	2
11	83125	NYLON LOCK NUT 5/16-18 UNC ZINC PLATED	2

Section V - PARTS

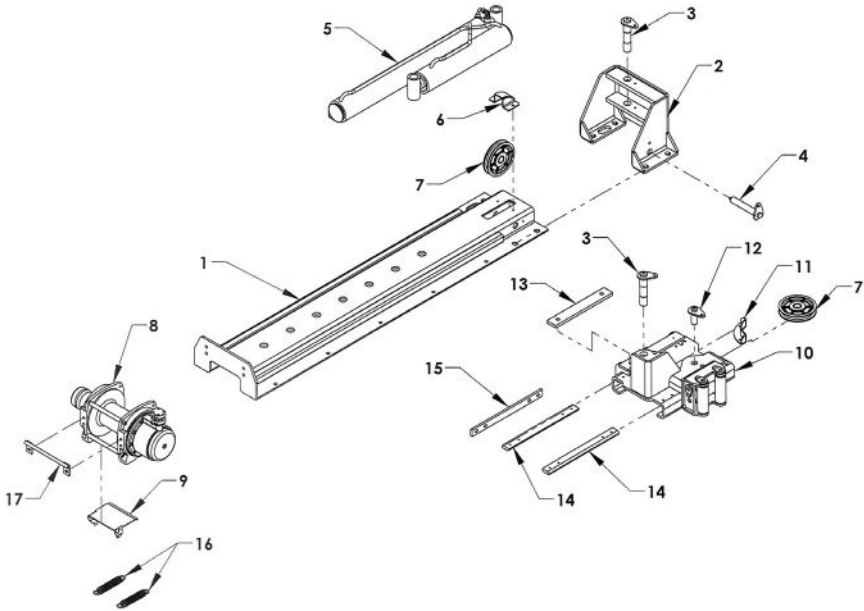
WARN WINCH REMOTE CLUTCH



REF	PART #	DESCRIPTION	QPU
1	71873	REMOTE CLUTCH ROD	1
2	71874	REMOTE HANDLE BRACKET	1
3	81122	5/16-18 UNC x 1-1/2 BOLTS	2
4	82130	5/16 FLAT WASHER	2
5	83125	5/16-18 UNC NYLON LOCK NUT	2
6	83215	3/8-24 UNF NUT	1
7	AA870	HANDLE BRACKET DECAL	1
8	84680	3/16 x 1 SPLIT PIN	1
9	71875	SPRING 1	1
10	83310	1/2-13 UNC NUT	2
11	82310	1/2 FLAT WASHER	1
12	82220	3/8 STAR WASHER	1
13	83211	3/8-16 UNC NYLON LOCK NUT	2
14	81240	3/8-16 UNC x 1-1/2 BOLT	1
15	82210	3/8 FLAT WASHER	4
16	718731	CLUTCH ROD KNOB	1
17	71872	CLUTCH SHIFTER PLATE	1
18	718732	BALL JOINT ROD END	1

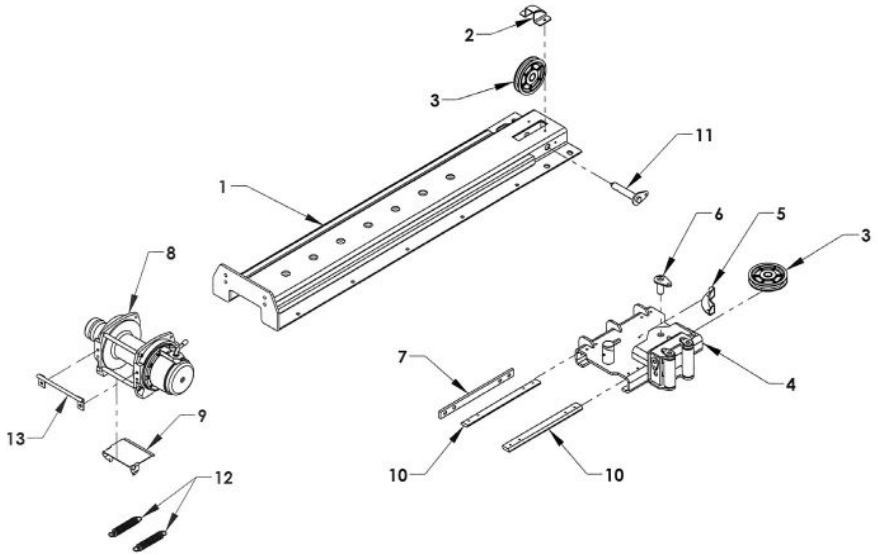
Section V - PARTS

HYDRAULIC SLIDEWINDER



REF	PART #	DESCRIPTION	QPU
1	315210	SLIDE TRACK	1
2	315360	CYLINDER MOUNTING BRACKET	1
3	315335	CYLINDER MOUNTING PIN	2
4	315235	PULLEY PIN	1
5	72A30040	SLIDEWINDER CYLINDER	1
6	315225	CABLE GUIDE	1
7	69125	6 x 1 PULLEY	2
8	711096	SERIES 9 WINCH - 6.5 INCH DRUM	1
	711126	SERIES 12 WINCH - 6.5 INCH DRUM	1
9	A90065	CABLE TENSIONER PLATE	1
10	315380	SLIDE CARRIAGE	1
11	315325	CABLE GUIDE	1
12	315330	PULLEY PIN	1
13	315321	CYLINDER SLIDE PAD	1
14	315320	SLIDE PAD	2
15	315323	FRONT SLIDE PAD	1
16	A9018S	CABLE TENSIONER SPRING	2
17	7189065	AIR LINE TRANSFER BRACKET	1

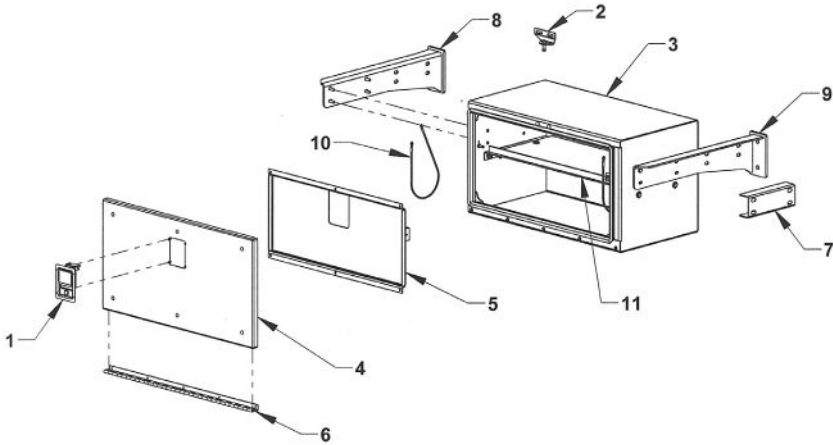
Section V - PARTS MANUAL SLIDEWINDER



REF	PART #	DESCRIPTION	QPU
1	315210	SLIDE TRACK - SHORT	1
2	315225	CABLE GUIDE	1
3	69125	6 x 1 PULLEY	2
4	315310	SLIDE CARRIAGE	1
5	315325	CABLE GUIDE	1
6	315330	PULLEY PIN	1
7	315323	FRONT SLIDE PAD	1
8	711096	SERIES 9 WINCH - 6.5 INCH DRUM	1
	711126	SERIES 12 WINCH - 6.5 INCH DRUM	1
9	A90065	CABLE TENSIONER PLATE	1
10	315320	SLIDE PAD	2
11	315230	PULLEY PIN	1
12	A9018S	CABLE TENSIONER SPRING	2
13	7189065	AIR LINE TRANSFER BRACKET	1

Section V - PARTS

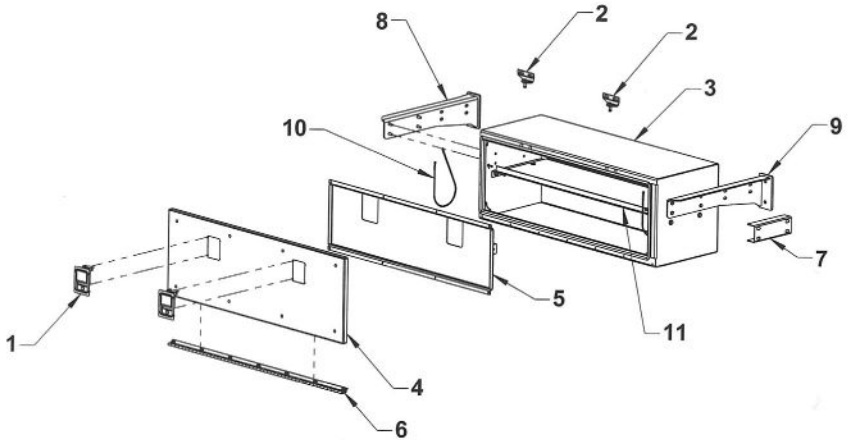
33" ALUMINUM TOOLBOX - 377000



REF	PART #	DESCRIPTION	QPU	
1	54658	ROTARY PADDLE LATCH	1	
	54657	GASKET FOR PADDLE LATCH	1	
	81111	#8-32 X 1/2 STAINLESS ONE WAY SCREW	4	
	83111	#8-32 STAINLESS KEPT NUT	4	
2	376182	STRIKER PIN MOUNTING PLATE	1	
	54659	STRIKER PIN	1	
	81115	STAINLESS CARRIAGE BOLT 5/16-18 x 3/4	2	
	82110	FLAT WASHER 5/16	4	
	82130	LOCK WASHER 5/16	2	
	83110	NUT 5/16-18	2	
	83125	NYLON LOCK NUT 5/16-18	1	
3	377100W	BOX WELDMENT	1	
4	37741	DOOR WELDMENT	1	
	37740	DOOR ASSEMBLY	1	
	81100	STAINLESS CARRIAGE BOLT 1/4-20 x 3/4	6	
	83105	NYLON LOCK NUT 1/4-20	6	
5	37744	DOOR REINFORCEMENT	1	
	6	37735	HINGE	1
		811014	SS SOCKET BUTTON HEAD BOLT 1/4-20 x 7/8	2
		811012	SS SOCKET BUTTON HEAD BOLT 1/4-20 x 3/4	3
		811010	SS SOCKET BUTTON HEAD BOLT 1/4-20 x 5/8	5
83105	NYLON LOCK NUT 1/4-20	10		
7	37760	TANDEM BOX SPACER CHANNEL (OPTIONAL)	1	
8	37855L	TANK AND TOOLBOX MOUNTING BRACKET-LEFT	1	
9	37855R	TOOLBOX MOUNTING BRACKET-RIGHT	1	
10	5A221	LANYARD-21 INCH	2	
11	37770	SHELF	1	

Section V - PARTS

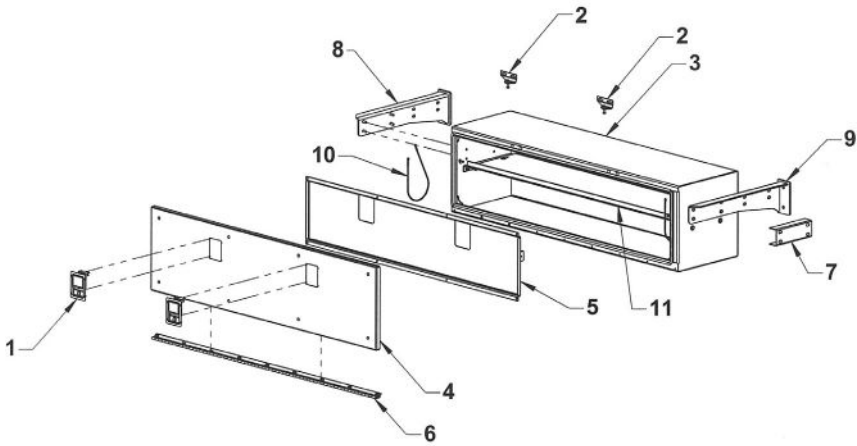
49" ALUMINUM TOOLBOX - 378000



REF	PART #	DESCRIPTION	QPU
1	54658	ROTARY PADDLE LATCH	1
	54657	GASKET FOR PADDLE LATCH	1
	81111	#8-32 X 1/2 STAINLESS ONE WAY SCREW	4
	83111	#8-32 STAINLESS KEPT NUT	4
2	376182	STRIKER PIN MOUNTING PLATE	1
	54659	STRIKER PIN	1
	81115	STAINLESS CARRIAGE BOLT 5/16-18 x 3/4	2
	82110	FLAT WASHER 5/16	4
	82130	LOCK WASHER 5/16	2
	83110	NUT 5/16-18	2
	83125	NYLON LOCK NUT 5/16-18	1
	3	377100W	BOX WELDMENT
4	37741	DOOR WELDMENT	1
	37740	DOOR ASSEMBLY	1
5	81100	STAINLESS CARRIAGE BOLT 1/4-20 x 3/4	6
	83105	NYLON LOCK NUT 1/4-20	6
	37744	DOOR REINFORCEMENT	1
	6	37735	HINGE
811014		SS SOCKET BUTTON HEAD BOLT 1/4-20 x 7/8	2
811012		SS SOCKET BUTTON HEAD BOLT 1/4-20 x 3/4	3
811010		SS SOCKET BUTTON HEAD BOLT 1/4-20 x 5/8	5
83105		NYLON LOCK NUT 1/4-20	10
7	37760	TANDEM BOX SPACER CHANNEL (OPTIONAL)	1
8	37855L	TANK AND TOOLBOX MOUNTING BRACKET-LEFT	1
9	37855R	TOOLBOX MOUNTING BRACKET-RIGHT	1
10	5A221	LANYARD-21 INCH	2
11	37770	SHELF	1

Section V - PARTS

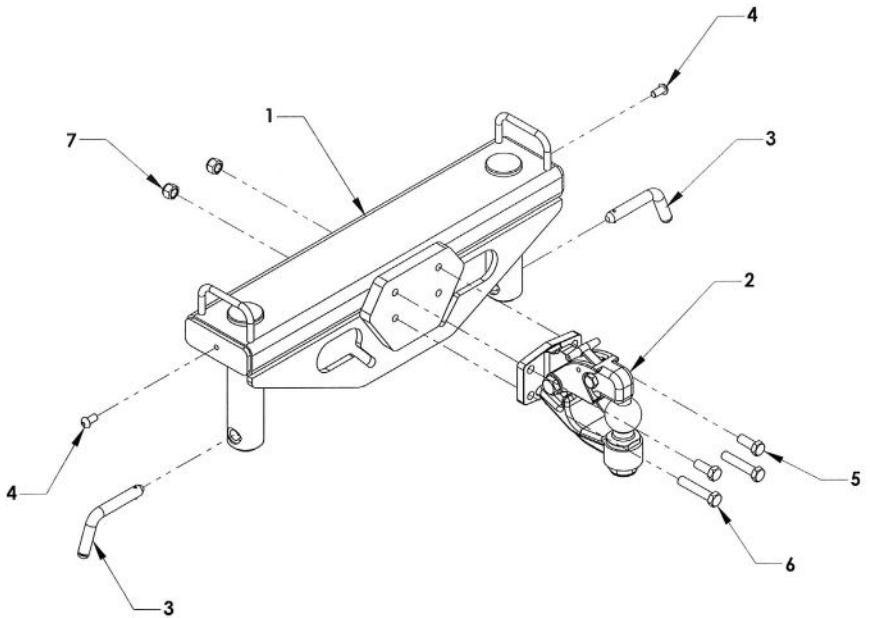
65" ALUMINUM TOOLBOX - 379000



REF	PART #	DESCRIPTION	QPU
1	54658	ROTARY PADDLE LATCH	1
	54657	GASKET FOR PADDLE LATCH	1
	81111	#8-32 X 1/2 STAINLESS ONE WAY SCREW	4
	83111	#8-32 STAINLESS KEPT NUT	4
2	376182	STRIKER PIN MOUNTING PLATE	1
	54659	STRIKER PIN	1
	81115	STAINLESS CARRIAGE BOLT 5/16-18 x 3/4	2
	82110	FLAT WASHER 5/16	4
	82130	LOCK WASHER 5/16	2
	83110	NUT 5/16-18	2
	83125	NYLON LOCK NUT 5/16-18	1
3	379100W	BOX WELDMENT	1
4	37741	DOOR WELDMENT	1
	37740	DOOR ASSEMBLY	1
	81100	STAINLESS CARRIAGE BOLT 1/4-20 x 3/4	6
	83105	NYLON LOCK NUT 1/4-20	6
5	37744	DOOR REINFORCEMENT	1
6	37735	HINGE	1
	811014	SS SOCKET BUTTON HEAD BOLT 1/4-20 x 7/8	2
	811012	SS SOCKET BUTTON HEAD BOLT 1/4-20 x 3/4	3
	811010	SS SOCKET BUTTON HEAD BOLT 1/4-20 x 5/8	5
	83105	NYLON LOCK NUT 1/4-20	10
7	37760	TANDEM BOX SPACER CHANNEL (OPTIONAL)	1
8	37855L	TANK AND TOOLBOX MOUNTING BRACKET-LEFT	1
9	37855R	TANK AND TOOLBOX MOUNTING BRACKET-RIGHT	1
10	5A221	LANYARD-21 INCH	2
11	37770	SHELF	1

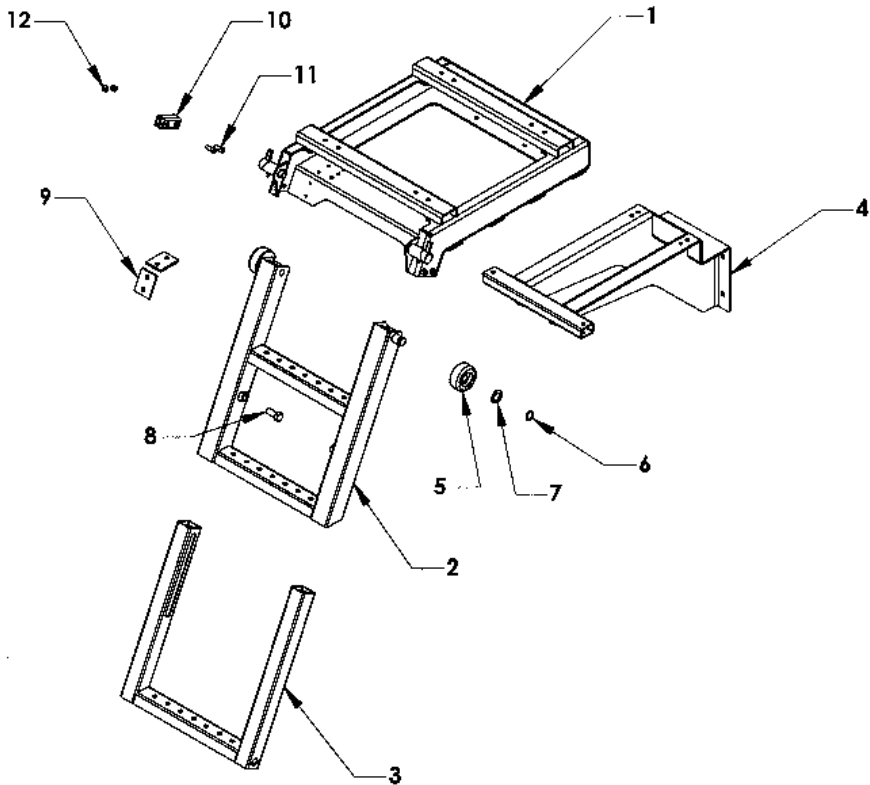
Section V - PARTS

PINTLE HITCH GROUP



REF	PART #	DESCRIPTION	QPU
	66370G	PINTLE HITCH GROUP	1
1	66370W	PINTLE HITCH WELDMENT	1
2	A3020	TOW BALL PINTLE HITCH	1
3	66378	RETAINING PIN	2
4	812A6	3/8 X 5/8 BUTTON HEAD BOLT	4
	5A220	LANYARD	2
5	81428	BOLT 1/2-13 X 1.25 GRADE 8	2
		SECURE WITH LOCTITE	
6	81449	BOLT 1/2-13 X 2.5 GRADE 8	2
7	83312	NUT NYLOK 1/2-13	2

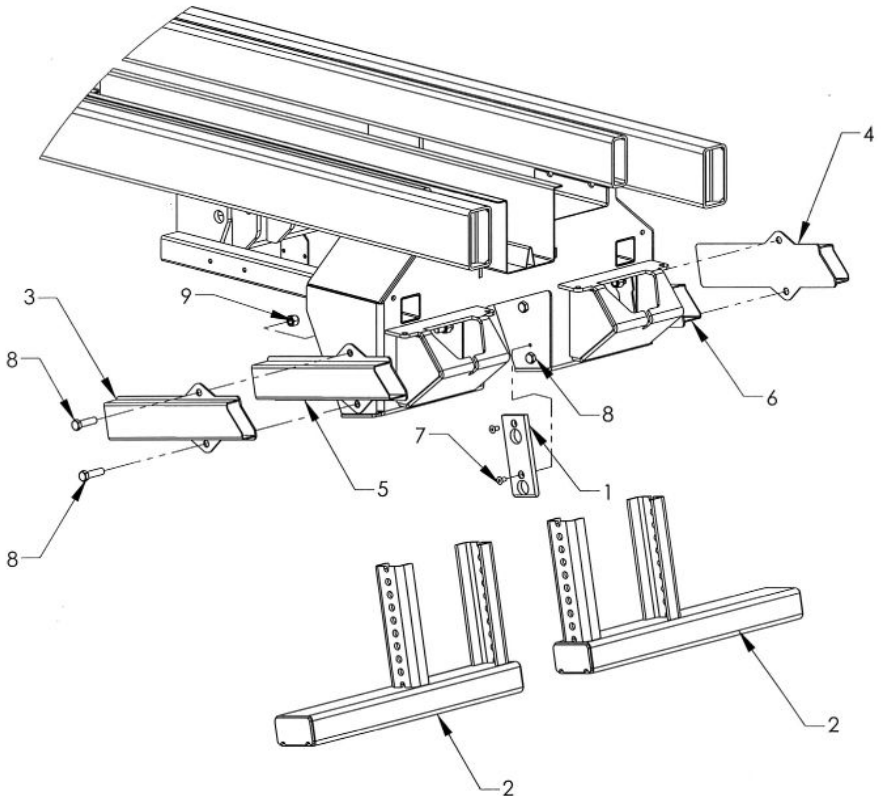
Section V - PARTS RETRACTABLE LADDER



REF	PART #	DESCRIPTION	QPU
	390000	LADDER ASSEMBLY	1
1	391010	LADDER CARRIAGE	1
2	391020	UPPER RUNG ASSEMBLY	1
3	391030	LOWER RUNG ASSEMBLY	1
4	391040	FRAME MOUNTING BRACKET-OPTIONAL	1
5	36310	WHEEL	2
6	86100E	RETAINING RING 1.00 EXTERNAL	2
7	82710	FLAT WASHER 1 x 1.50	2
8	391026	RETAINING BOLT 5/8-11 x 1-1/2	2
9	391018	WEAR PAD	4
10	391015	RETAINING TUBE	2
11	81221	ALLEN HEAD BOLT 3/8-16 x 1	4
12	83211	NYLON LOCK NUT 3/8-16	4

Section V - PARTS

STABILIZER COMPONENTS



REF	PART #	DESCRIPTION	QPU
1	160519	STABILIZER WHEEL LIFT GUIDE PAD	2
2	160520	STABILIZER EXTENSION STAND	2
	160525	STABILIZER EXTENSION STAND - LOW PROFILE	2
3	160535L	STEEL L-ARM STABILIZER STORAGE TUBE - LEFT	1
4	160536R	STEEL L-ARM STABILIZER STORAGE TUBE - RIGHT	1
5	160530L	ALUMINUM L-ARM STORAGE TUBE - LEFT (OPTIONAL)	1
6	160530R	ALUMINUM L-ARM STORAGE TUBE - RIGHT (OPTIONAL)	1
7	81412	BOLT 3/8-16 UNC x 3/4 FLAT SOCKET HEAD COUNTERSUNK	4
8	81522	BOLT 5/8-11 UNC x 2-1/4	8
9	83411	NUT 5/8-11 UNC NYLON LOCK	8