

Champion®



OWNER'S MANUAL

Champion Model 101

INSTALLATION, OPERATION, MAINTENANCE & PARTS

**NOTE: MANUAL including SPECIFICATIONS, subject to change without notice
All ratings specified are based on structural factors only,
not vehicle capacities or capabilities.**

Champion®

Miller Industries Towing Equipment Inc.
8503 Hilltop Drive
Ooltewah, Tennessee 37363

FORM NO. 0500658
9 / 94

Phone (423) 238-4171 • FAX (423) 238-5371

PRICE \$25.00

LIMITED WARRANTY

MILLER INDUSTRIES TOWING EQUIPMENT INC., hereinafter referred to as MILLER, warrants to the original purchaser that each new MILLER wrecker or other MILLER products will be free from defects in material and workmanship for a period of twelve (12) months from date placed in service, but in no event shall such warranty period exceed twenty-four (24) months from date of manufacture by MILLER. The purchaser must promptly notify MILLER in writing of any failure in material or workmanship. In no event shall MILLER accept such notification later than twenty-four (24) months from date of delivery or twelve (12) months from date placed in service, whichever is earlier.

MILLER's obligation under this warranty, statutory or otherwise, is limited to the repair or replacement at the MILLER factory, or at a point designated by MILLER, of such part or parts as shall appear upon inspection by MILLER to be defective in material or workmanship. New or remanufactured parts will be used for any replacement at MILLER's option. This warranty is not transferable. This warranty does not obligate MILLER to bear the cost of labor or transportation charges in connection with the repair or replacement of any parts found to be defective, nor shall it apply to a product upon which repairs or alterations have been made unless authorized by MILLER.

EXCEPT AS EXPRESSLY SET FORTH IN THIS WARRANTY, MILLER MAKES NO OTHER WARRANTY, EXPRESS OR IMPLIED, AND HEREBY DISCLAIMS ALL OTHER WARRANTIES INCLUDING, BUT NOT LIMITED TO, THE IMPLIED WARRANTIES OF MERCHANTABILITY AND FITNESS FOR A PARTICULAR PURPOSE. MILLER shall in no event be liable for claimed downtime, claimed loss of profits or goodwill, or any other special, incidental, indirect, or consequential damages concerning or relating to any product or parts, whether based on negligence, strict liability, breach of contract, breach of warranty, misrepresentation or any other legal theory, regardless of whether the loss resulted from any general or particular requirement which MILLER knew or had reason to know about at the time of sale.

MILLER MAKES NO WARRANTY, EXPRESS OR IMPLIED, AS TO THE FINISHED PRODUCTS MANUFACTURED OR SUPPLIED BY ANOTHER MANUFACTURER AND SUPPLIED BY MILLER TO PURCHASER, including, but not limited to, any vehicle to which a MILLER product may be affixed or any accessories or wire rope, and MILLER EXPRESSLY DISCLAIMS ANY IMPLIED WARRANTIES OF MERCHANTABILITY OR FITNESS FOR A PARTICULAR PURPOSE AS TO SUCH EQUIPMENT OR PRODUCTS. This language shall in no way affect or diminish the rights of the purchaser to rely on such warranties as are extended by such manufacturers or suppliers. MILLER shall, to the extent permitted under applicable law, pass on to the purchaser such manufacturer's or seller's warranty.

MILLER, whose policy is one of continuous improvement, reserves the right to improve its products through changes in design or materials as it may deem desirable without being obligated to incorporate such changes in products previously sold. This warranty is not intended to cover or include the following items, which are set forth by way of example and not limitation:

- A. Normal deterioration of trim, paint, lettering, and appearance items due to wear or exposure to weather, road conditions, road treatments, etc.
- B. Any damage or defect due to accident, misuse, abuse, improper or unauthorized repairs, failure to provide reasonable and necessary maintenance, or uses for which the equipment was not designed or intended.
- C. Alterations or modifications that affect performance, operation or reliability.
- D. Normal maintenance parts including, but not limited to, wear pads, bushings, wire rope, mud flaps, fenderettes, light bulbs, hydraulic oil, filters, and tow sling belts.

IT IS EXPRESSLY UNDERSTOOD THAT MILLER MAKES NO IMPLIED WARRANTY THAT MILLER PRODUCTS SHALL BE FIT FOR THE PURPOSE OF LIFTING OR MOVING PEOPLE OR FOR ANY OTHER IMPROPER USE.



Miller Industries Towing Equipment Inc.
8503 Hilltop Drive
Ooltewah, Tennessee 37363

Telephone (423) 238-4171

SERIAL NUMBER

Section VI - PARTS

This Section is provided by the manufacturer for the purpose of ordering any component part of the CHAMPION Model 101 Wrecker that may be required when part replacement is necessary. Be certain to use only original equipment replacement parts for warranty purposes as well as for keeping your CHAMPION Model 101 Wrecker in its original state and optimum operating capacities.

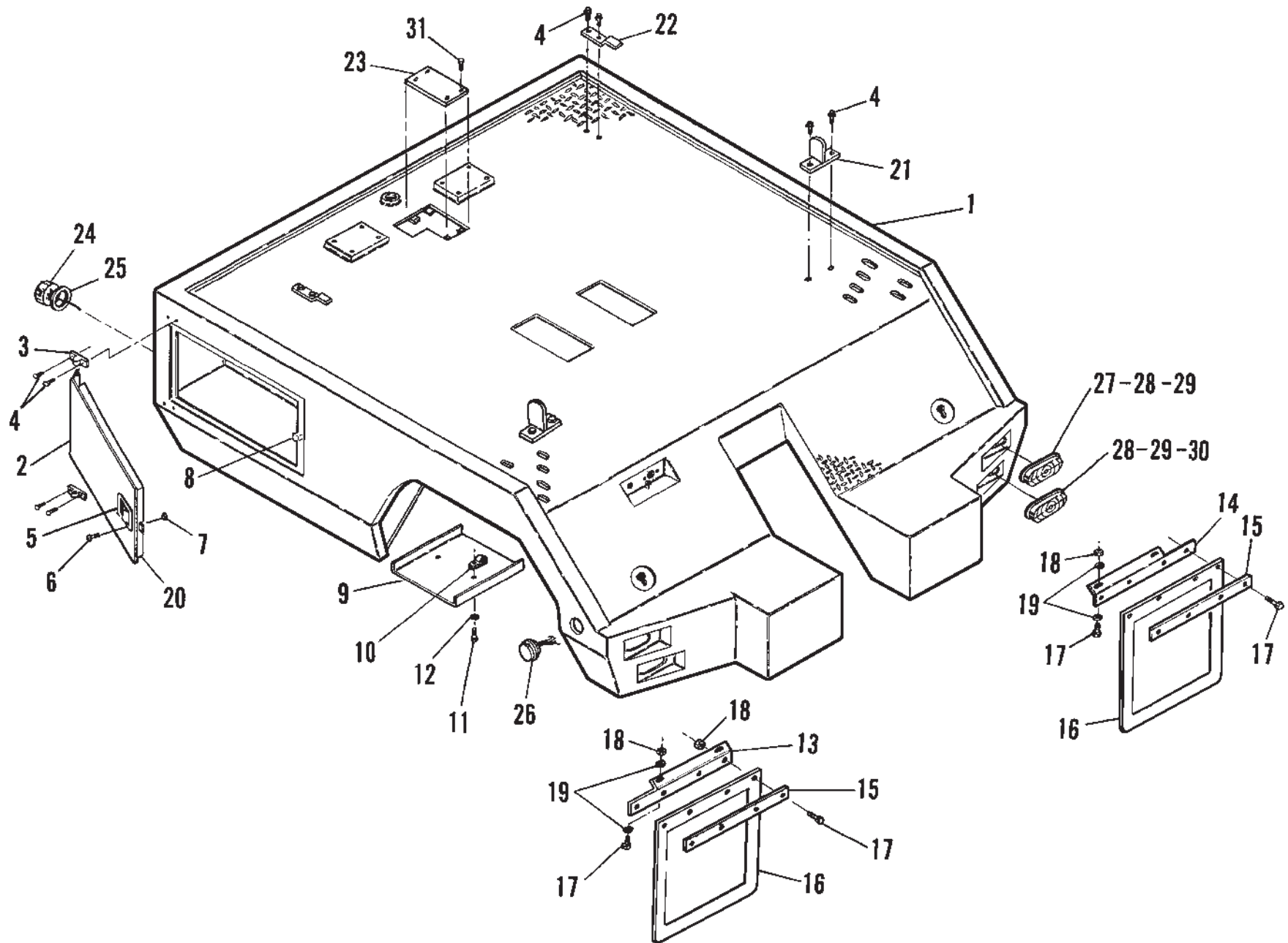
When ordering replacement or spare parts be sure to provide the following information to the manufacturer's Parts Department.

- 1. Manual Number & Date of Publication**
- 2. Manual Page Number**
- 3. Page Title**
- 4. Reference Number of Part Desired**
- 5. Part Number**
- 6. Part Description**
- 7. Quantity of Part Desired**

Providing this information will help ensure that the correct parts will be delivered to you in an expedient manner without delay. Should additional information be required for repair or replacement of certain components, contact your Wrecker Manufacturer Authorized Representative.

The Manufacturer reserves the right, without notice or obligation, to improve or modify their products, which may change the specifications, models and feature availability.

Section VI - PARTS (cont'd)
BODY ASSEMBLY



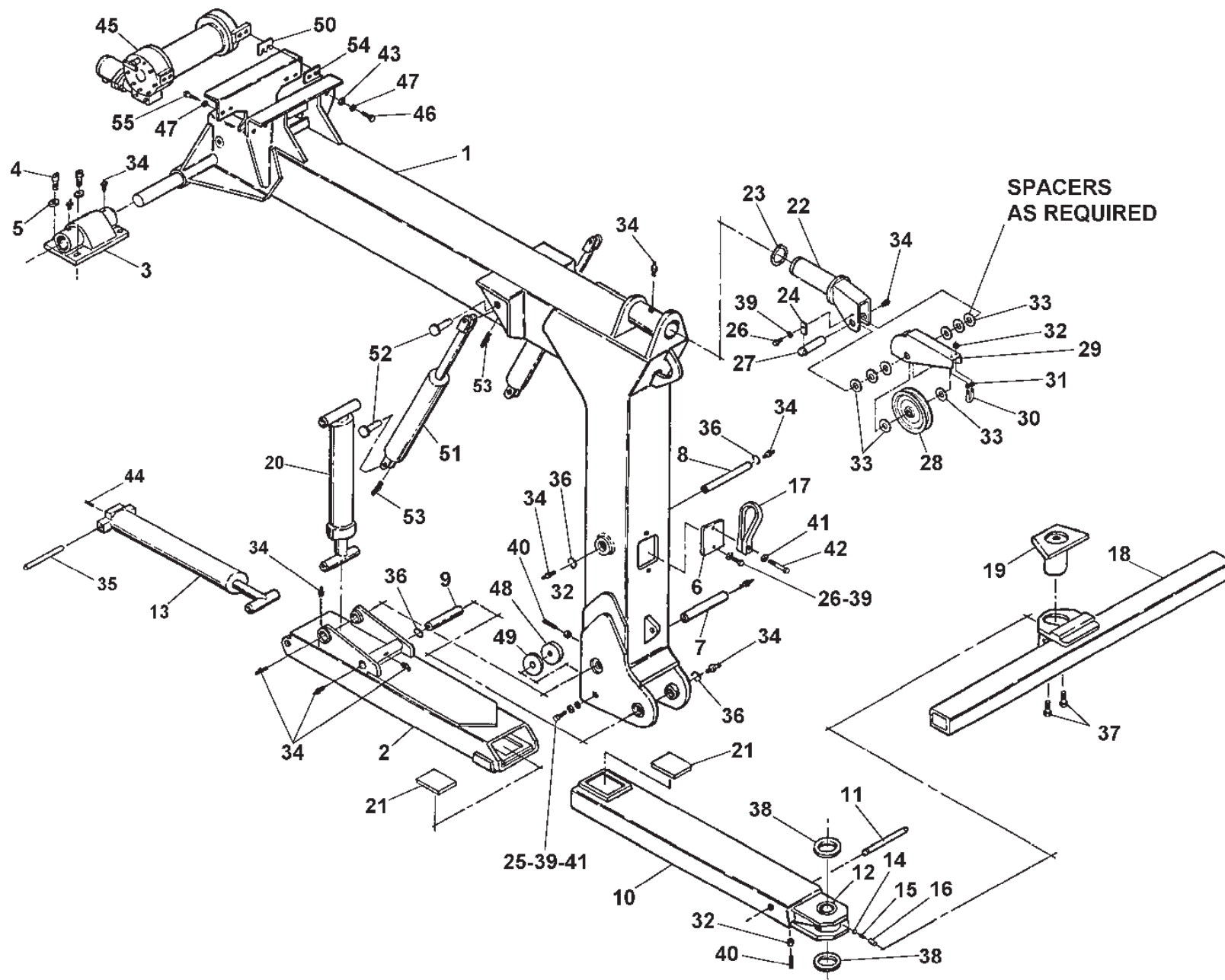
Section VI - PARTS (cont'd)
BODY ASSEMBLY

Section VI - PARTS (cont'd)
WRECKER ASSEMBLY (BRADEN WINCH)

REF. NO.	NO. REQ'D	PART NUMBER	DESCRIPTION
1	1	0802634	BODY WELDMENT, 60" C.A. - 101
2	1	HF 56	SMALL DOOR WELDMENT
3	2	CP 268	HINGE, DOOR
4	12	0400062	SCREW, 1/4"-20 X 3/4" TYPE "F" THD CUT
5	1	0302855	TOOL CPT LATCH, PLAIN
6	4	0400021	SCREW, #8-32 X 1/2" RD HD PH MCH SS
7	4	0400351	NUT & STAR WASHER, #8-32 HEX ZP
8	1	CP 285	PLATE, LATCH RETAINER
9	2	0704516	GUARD, CONTROL STATION
10	4	0400370	CLIP, TINNNERMAN 1/4" "U" TYPE
11	4	0400066	SCREW, 1/4"-20 X 3/4" HEX HD CAP GR5-ZP
12	4	0400452	WASHER, 1/4" HELICAL LOCK ZP
13	1	0708810	MUD FLAP MTG ANGLE, LEFT
14	1	0708809	MUD FLAP MTG ANGLE, RIGHT
15	2	0705092	BAR, MUD FLAP
16	2	0302985	MUD FLAP - CHAMPION
17	12	0400122	SCREW, 3/8"-16 X 1.25" HEX HD CAP GR5-ZP
18	12	0400392	NUT, 3/8"-16 NYLOK HEX HD ZP
19	8	0400480	WASHER, 3/8" FLAT-ZP
20	8 FT.	0300844	CLOSED CELL FOAM, 3/4" X 1/8" w/ADHBK
21	2	0802712	STORAGE BRACKET, WELDMENT
22	2	0707510	STORAGE BRACKET
23	1	0708931	COVER, ACCESS
24	2	0301742	SEALED MARKER LIGHT, YELLOW
25	4	0301740	GROMMET MTG KIT W/PLUG
26	2	0301741	SEALED MARKER LIGHT, RED
27	2	0301390	STOP & TURN LIGHT, BODY
28	4	0304124	STOP & TURN BEZEL
29	8	0304123	SCREW FOR BEZEL
30	2	0302201	BACK UP LIGHT
31	4	0400233	SCREW, 5/16"-18 X 1/2" HEX HD CAP GR5-ZP

Section VI - PARTS (cont'd)

WRECKER ASSEMBLY (BRADEN WINCH)

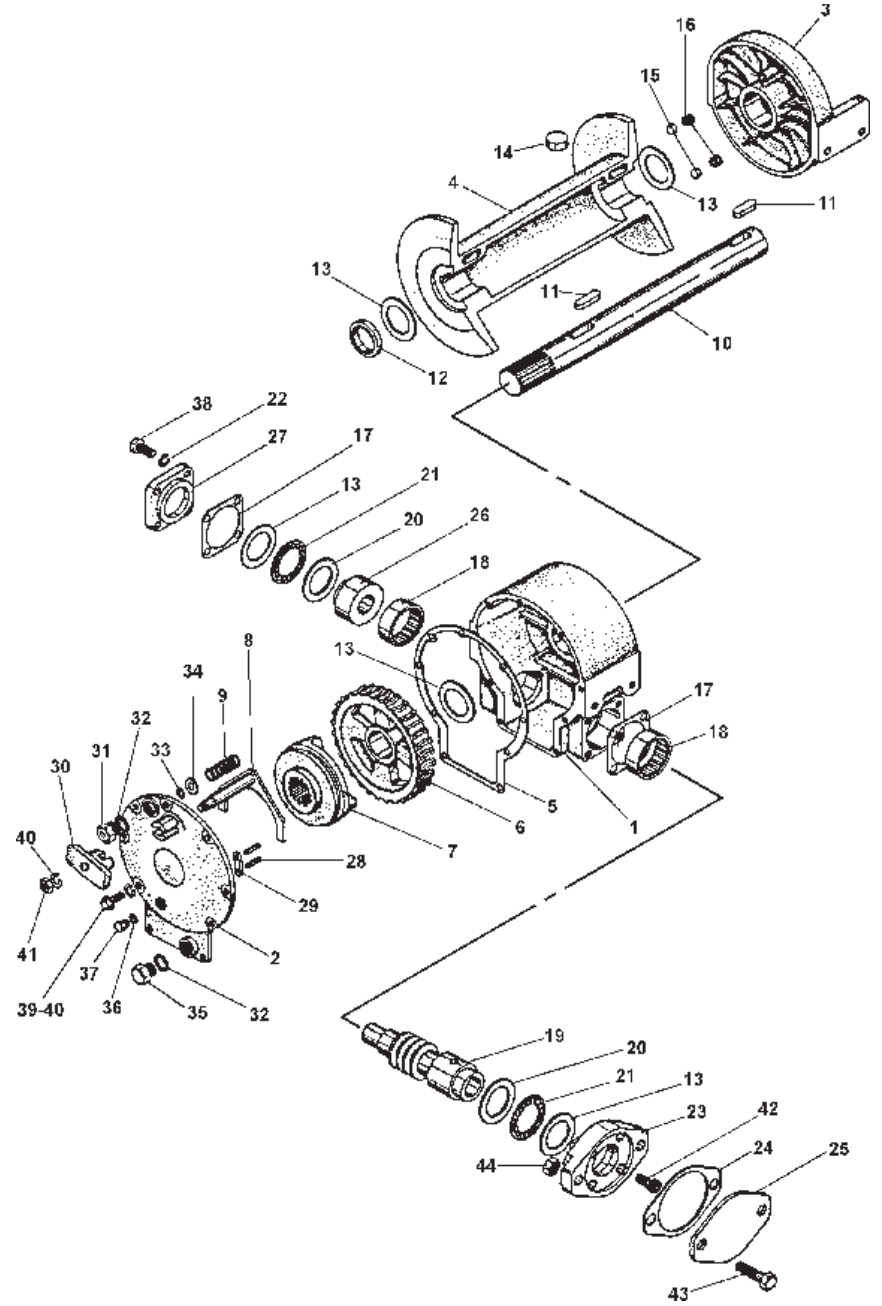


Section VI - PARTS (cont'd)
WRECKER ASSEMBLY (BRADEN WINCH)

REF. NO.	NO. REQ'D	PART NUMBER	DESCRIPTION
1	1	0802509	MAIN BOOM WELDMENT - 101
2	1	0802510	OUTER BOOM WELDMENT - UNDERLIFT
3	2	3000B-28	TRUNION PIVOT WELDMENT
4	8	0400249	SCREW, 5/8"-11 X 1-1/4" SKT HD CAP
5	8	0400508	LOCKWASHER, 5/8" HELICAL
6	1	0708519	PLATE, COVER - BOOM UPPER
7	1	0708407	SHAFT, LOWER - TILT CYLINDER
8	1	0708408	SHAFT, UPPER - TILT CYLINDER
9	1	0708409	SHAFT, BOOM PIVOT
10	1	0802480	INNER BOOM WELDMENT
11	1	0702131	SHAFT, INNER TUBE CYLINDER
12	1	0301914	BEARING, INNER BOOM
13	1	0301825	CYLINDER, EXTEND
14	1	0301398	BALL, 1-3/16" DIA STEEL
15	1	0301197	SPRING, CROSS BAR COMP
16	1	0702546	SPACER, DETENT BALL
17	1	0301533	STRAP, 15" TIE DOWN
18	1	0802310	CROSS BAR, INNER
19	1	0801073	PIVOT PIN WELDMENT
20	1	0302891	CYLINDER, UNDERLIFT TILT
21	2	0301850	SLIDE PAD, NYLATRON
22	1	0800003	SWIVEL, BOOM END
23	1	0800108	SNAP RING, 2-1/2" DIA EXT
24	1	0700032	SHAFT RETAINER
25	2	0400070	SCREW, 1/4"-20 X 1" HEX HD CAP GR5-ZP
26	2	0400060	SCREW, 1/4"-20 X 1/2" HEX HD CAP GR5
27	1	0700056	SHAFT, SHEAVE
28	1	0300022	SHEAVE, 6"

REF. NO.	NO. REQ'D	PART NUMBER	DESCRIPTION
29	1	0800735	GUIDE, CABLE
30	1	0301531	"U" BOLT (FROM 3/8" CABLE CLAMP)
31	2	0400393	NUT, 3/8"-16 HEX JAM
32	4	0400392	NUT, 3/8"-16 HEX NYLOK
33	4	0700166	WASHER, SPACER
34	12	0300113	GREASE FITTING, ALEMITE
35	1	0703345	SHAFT, EXTEND CYLINDER
36	4	AWS-3022-A	SNAP RING
37	2	0701956	SCREW, OUTER CROSS TUBE RET
38	2	070364	WASHER, THRUST
39	4	0400452	WASHER, 1/4" LOCK-ZP
40	2	0400139	SCREW, 3/8-16 X 1.5" HEX SKT SET
41	3	0400451	WASHER, 1/4" FLAT-ZP
42	1	0400078	SCREW, 1/4"-20 X 2" HEX HD CAP GR5-ZP
43	6	0400480	WASHER, 3/8" FLAT-ZP
44	1	0400120	SCREW, 3/8"-16 X 1/2" ALLEN HD SET
45	1	0302937	WINCH ASSEMBLY (LESS MOTOR)
46	6	0400122	SCREW, 3/8"-16 X 1.25 HEX HD CAP GR5-ZP
47	8	0400482	LOCKWASHER, 3/8" HELICAL-ZP
48	2	0708406	PAD, GUIDE
49	6	0708410	SHIM, GUIDE PAD
50	2	0706668	SHIM, WINCH MOUNTING
51	2	IT-27B	BOOM CYLINDER, ELEVATION
52	4	BK 518	PIN, BOOM CYLINDER
53	4	BK 519	HAIR PIN, BOOM CYLINDER PIN
54	2	0708518	SPACER, WINCH BUCKET
55	2	0400126	SCREW, 3/8"-16 X 1" HEX HD CAP GR5-ZP

Section VI - PARTS (cont'd) WINCH ASSEMBLY (HU8A BRADEN)



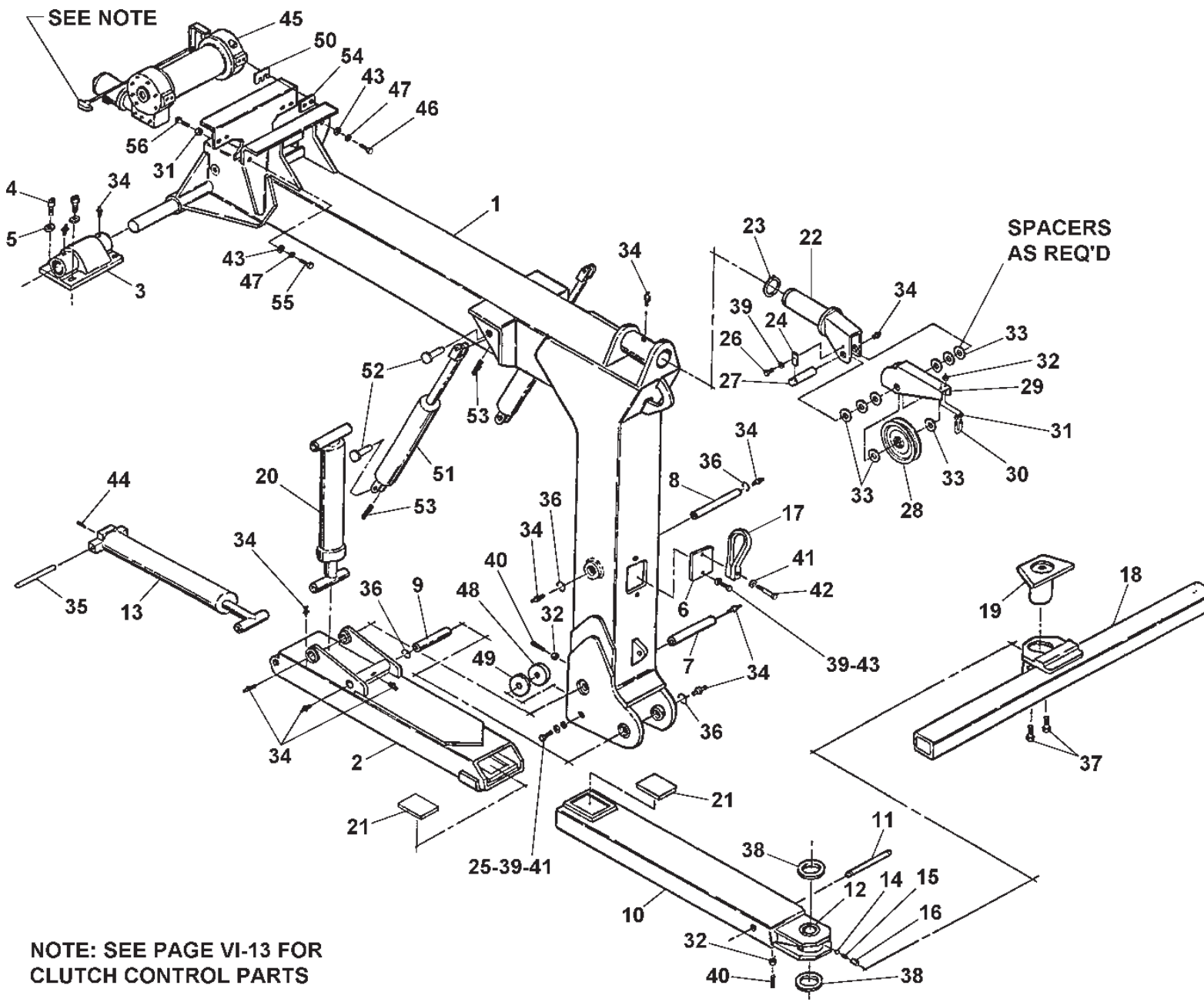
Section VI - PARTS (cont'd)
WINCH ASSEMBLY (HU8A BRADEN)

REF. NO.	NO. REQ'D	PART NUMBER	DESCRIPTION
1	1	24303	WORM HOUSING ASSEMBLY
2	1	24300	WORM COVER
3	1	24301	SUPPORT SHROUD ASSEMBLY
4	1	24731	CABLE DRUM 6" LONG
5	2	24293	WORM COVER GASKET
6	1	24661	WORM GEAR
7	1	24660	CLUTCH
8	1	24624	SHIFTER ASSEMBLY
9	1	24288	CLUTCH SPRING
10	1	24725	CABLE DRUM
11	2	23367	SHAFT KEY
12	1	24309	OIL SEAL
13	5	24307	THRUST RACE, 1/16"
14	1	24315	CABLE ANCHOR
15	2	24289	DRAG BRAKE DISC
16	2	24287	DRAG BRAKE SPRING
17	4	12723	BEARING RETAINER GASKET
18	2	24304	NEEDLE BEARING
19	1	24296	WORM
20	2	24427	THRUST RACE, 1/8"
21	2	24426	THRUST BEARING
22	4	18003	LOCKWASHER, 3/8"
23	1	24361	MOTOR ADAPTOR
24	1	23108	MOTOR GASKET
25	1	21959	DUST SHIELD
26	1	24291	BEARING ADAPTOR
27	1	24362	BEARING RETAINER
28	8	21049	ROLL PIN
29	4	24538	FRICTION PLATES
30	1	25646	CLUTCH HANDLE - T
31	1	25153	VENT PLUG
32	2	12273	O-RING
33	1	13017	O-RING
34	1	24308	THRUST RACE
35	1	25151	DRAIN PLUGO-RING
36	1	24520	OIL PLUG
37	1	25152	CAP
38	4	21961	SCREW, 3/8"-16 X 1" G5 CAP
39	9	11758	SCREW, 1/4"-20 X 3/4"
40	10	11015	LOCKWASHER, 1/4"
41	1	11761	NUT, 1/4"-20 HEX
42	4	13827	CAPSCREW, S.H. 3/8"-16 X 1-1/4"
43	2	22698	CAPSCREW, 1/2"-20 X 1-3/4" G8
44	2	18004	NUT, 1/2"-20 JAM

Section VI - PARTS (cont'd)
WRECKER ASSEMBLY (RAMSEY WINCH)

Section VI - PARTS (cont'd)

WRECKER ASSEMBLY (RAMSEY WINCH)

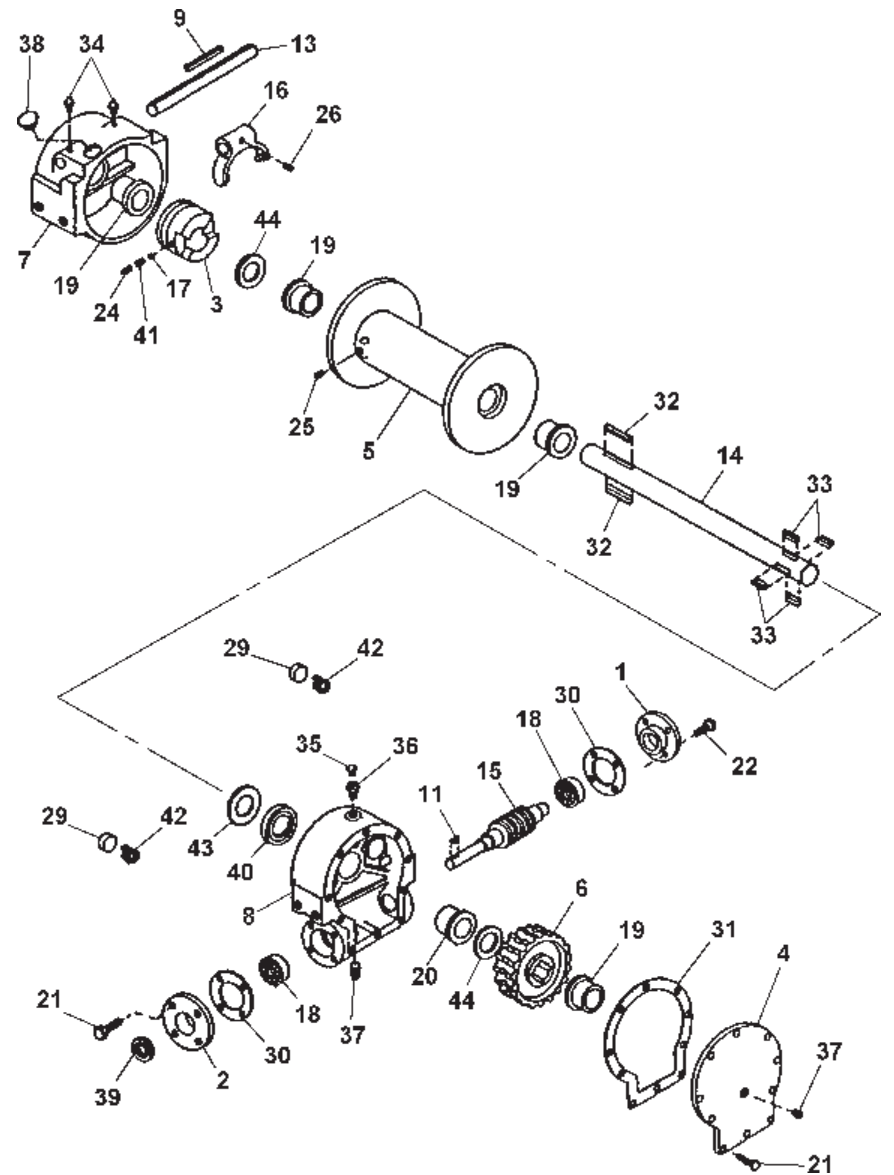


Section VI - PARTS (cont'd)
WRECKER ASSEMBLY (RAMSEY WINCH)

REF. NO.	NO. REQ'D	PART NUMBER	DESCRIPTION
1	1	0802509	MAIN BOOM WELDMENT - 101
2	1	0802510	OUTER BOOM WELDMENT - UNDERLIFT
3	2	3000B-28	TRUNION PIVOT WELDMENT
4	8	0400249	SCREW, 5/8"-11 X 1-1/4" SKT HD CAP
5	8	0400508	WASHER, 5/8" HELICAL LOCK
6	1	0708519	PLATE, COVER - BOOM UPPER
7	1	0708407	SHAFT, LOWER - TILT CYLINDER
8	1	0708408	SHAFT UPPER-TILT CYLINDER
9	1	0708409	SHAFT, BOOM PIVOT
10	1	0802480	INNER BOOM WELDMENT
11	1	0702131	SHAFT, INNER TUBE CYLINDER
12	1	0301914	BEARING, INNER BOOM
13	1	0301825	CYLINDER, EXTEND
14	1	0301398	BALL, 1-3/16" DIA STEEL
15	1	0301197	SPRING CROSS BAR COMP
16	1	0702546	SPACER, DETENT BALL
17	1	0301533	STRAP, 15" TIE DOWN
18	1	0802310	CROSS BAR, INNER
19	1	0801073	PIVOT PIN WELDMENT
20	1	0302891	CYLINDER, UNDERLIFT TILT
21	2	0301850	SLIDE PAD, NYLATRON
22	1	0800003	SWIVEL, BOOM END
23	1	0300108	SNAP RING. 2-1/2" DIA EXT
24	1	0700032	SHAFT RETAINER
25	2	0400070	SCREW, 1/4"-20 X 1" HEX HD CAP GR5-ZP
26	2	0400060	SCREW, 1/4"-20 X 1/2" HEX HD CAP GR-5
27	1	0700056	SHAFT, SHEAVE
28	1	0300022	SHEAVE, 6"

REF. NO.	NO. REQ'D	PART NUMBER	DESCRIPTION
29	1	0800735	GUIDE, CABLE
30	1	0301531	"U" BOLT (FROM 3/8" CABLE CLAMP)
31	4	0400393	NUT, 3/8"-16 HEX JAM
32	4	0400392	NUT, 3/8"-16 HEX NYLOK
33	4	0700166	WASHER, SPACER
34	12	0300113	GREASE FITTING, ALEMITE
35	1	0703345	SHAFT, EXTEND CYLINDER
36	4	AWS-3022-A	SNAP RING
37	2	0701956	SCREW, OUTER CROSS TUBE RET
38	2	0703640	WASHER, THRUST
39	4	0400452	WASHER, 1/4" LOCK-ZP
40	2	0400139	SCREW, 3/8-16 X 1.5" HEX SKT SET
41	3	0400451	WASHER, 11/4" FLAT-ZP
42	1	040008	SCREW, 1/4"-20 X 2" HEX HD CAP GR5-ZP
43	6	0400480	WASHER, 3/8" FLAT-ZP
44	1	0400120	SCREW, 3/8"-16 X 1/2" ALLEN HD SET
45	1	0302937	WINCH ASSEMBLY (LESS MOTOR)
46	4	0400122	SCREW, 3/8"-16 X 1.25" HEX HD CAP GR5-ZP
47	6	0400482	LOCKWASHER, 3/8" HELICAL-ZP
48	2	0808406	PAD, GUIDE
49	6	0708410	SHIM, GUIDE PAD
50	2	0706668	SHIM, WINCH MOUNTING
51	2	IT-27B	BOOM CYLINDER, ELEVATION
52	4	BK 518	PIN, BOOM CYLINDER
53	4	BK 519	HAIR PIN BOOM CYLINDER PIN
54	2	0708518	SPACER, WINCH BUCKET
55	2	0400126	SCREW, 3/8"-16 X 1" HEX HD CAP GR5-ZP
56	2	0400150	SCREW, 3/8"-16 X 2-1/2" HEX HD CAP GR5-ZP

Section VI - PARTS (cont'd) WINCH ASSEMBLY (HY-246 WINCH)



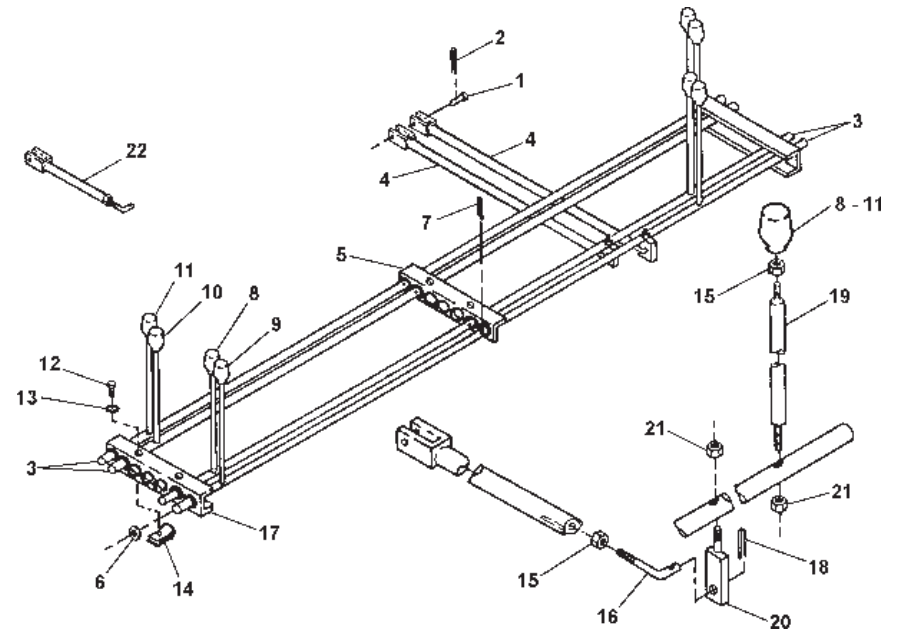
Section VI - PARTS (cont'd)
WINCH ASSEMBLY (HY-246 WINCH)

REF. NO.	NO. REQ'D	PART NUMBER	DESCRIPTION
1	1	316083	BEARING CAP
2	1	316084	BEARING CAP
3	1	324161	JAW CLUTCH
4	1	328134	COVER
5	1	332007	DRUM "Y"
6	1	334163	GEAR R.H. 46:1
	1	334164	GEAR L.H. 46:1
7	1	338008	HOUSING - CLUTCH
8	1	338273	HOUSING - GEAR
9	1	342018	KEY
10	1	342024	KEY
11	1	342027	KEY
12	1	344008	LEVER - SHIFTER
13	1	356902	SHAFT - SHIFTER
14	1	357480	SHAFT - DRUM "Y"
15	1	368002	WORM R.H. 46:1
	1	368009	WORM L.H. 46:1
16	1	370001	YOKE
17	1	400001	BALL - POPPET
18	2	402002	BEARING - BALL
19	4	412003	BUSHING
20	1	412045	BUSHING
21	10	414038	CAP SCREW 1/4"-20NC X 3/4" LG HX HD GR5

REF. NO.	NO. REQ'D	PART NUMBER	DESCRIPTION
22	8	414045	CAPSCREW 1/4"-20NC X 7/8" LG HX HD GR5
23	4	414282	CAPSCREW 3/8"-16NC X 3/4" LG HX HD GR5
24	1	416040	SETSCREW 1/4"-20NC X 1-1/4" SKT HD LESS
25	1	416059	SETSCREW 3/8"-16NC X 3/8" SKT HD LESS
26	1	416084	SETSCREW 1/4"-20NC X 1/2" LG SQ HD
27	1	416109	SETSCREW 5/16"-18NC X 1/2" LG SQ HD
28	4	418177	LOCKWASHER 3/8" MED SECT CP
29	2	438014	DRAG BRAKE
30	2	442184	GASKET
31	1	442205	GASKET
32	2	450006	KEY - BARTH
33	4	450016	KEY - BARTH
34	2	456006	FITTING - LUBE
35	1	456008	FITTING - RELIEF
36	1	468002	REDUCER
37	2	4680011	PIPE PLUG
38	1	472013	PLASTIC PLUG
39	1	486009	OIL SEAL
40	1	486017	OIL SEAL
41	1	494001	SPRING - POPPET
42	2	494002	SPRING
43	1	518014	THRUST WASHER
44	2	518015	THRUST WASHER

Section VI - PARTS (cont'd)

CONTROL & CROSSROD ASSEMBLY



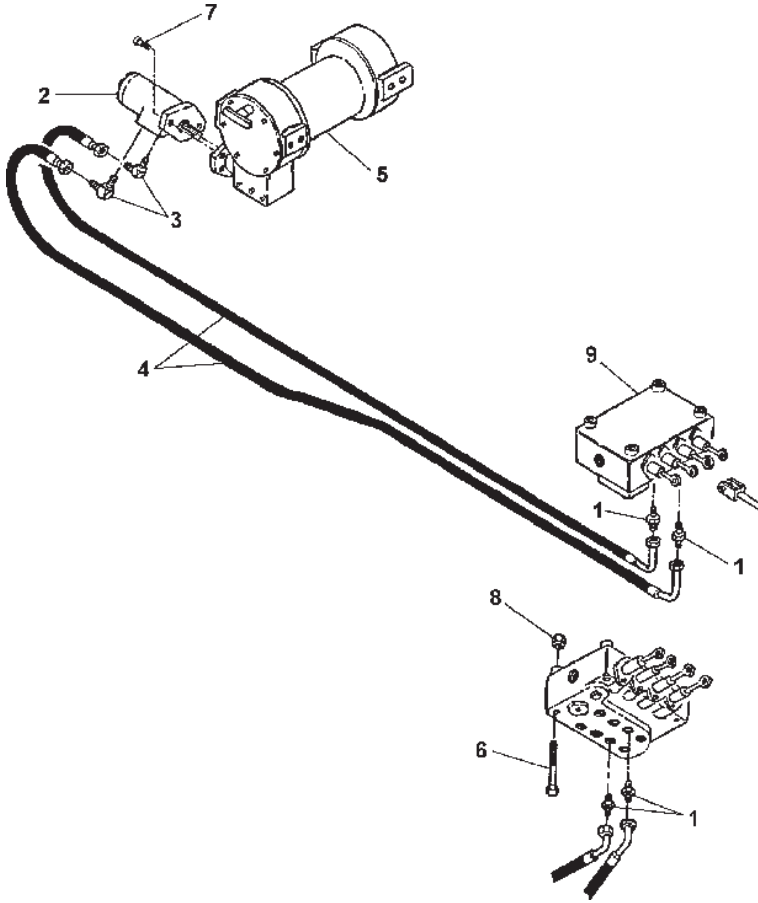
Section VI - PARTS (cont'd)

CONTROL & CROSSROD ASSEMBLY

REF. NO.	NO. REQ'D	PART NUMBER	DESCRIPTION
1	4	0400527	CLEVIS PIN, 5/16" DIA COTTERLESS SS
2	4	0400541	COTTER PIN, 1/16" X 3/4"
3	4	0704529	CROSSROD, WRECKER
4	2	0801311	SHIFTER, VALVE, LONG
5	1	0703501	ANGLE, CROSSROD BEARING
6	21	0300122	GROMMET, SPLIT PLASTIC
7	8	0400539	COTTER PIN, 3/16" X 1-1/2"
8	2	0300835	KNOB, WRECKER BOOM "UP-DN" (BLACK)
9	2	0300834	KNOB, CABLE "IN-OUT" (RED)
10	2	0302917	KNOB, W/L "IN-OUT" (GRAY)
11	2	0302856	KNOB, W/L "TILT" (GRAY)
12	6	0400063	SCREW, 1/4"-20 X 1-1/2" LG HEX HD CAP
13	6	0400452	LOCKWASHER, 1/4" EXT TOOTH
14	6	0400370	CLIP, 1/4" TINNERMAN
15	12	0400393	NUT, 3/8"-16 JAM
16	4	0701099	EXTENSION, CONTROL ROD LONG
17	2	0704517	CHANNEL, CROSSROD BEARING
18	4	0400543	COTTER PIN, 1/8" X 3/4"
19	8	0705494	LEVER, CONTROL
20	4	0800604	ARM, CROSS CONTROL
21	12	0400390	NUT, 3/8"-16 JAM ESLOK
22	2	0801309	SHIFTER, VALVE, SHORT

Section VI - PARTS (cont'd)

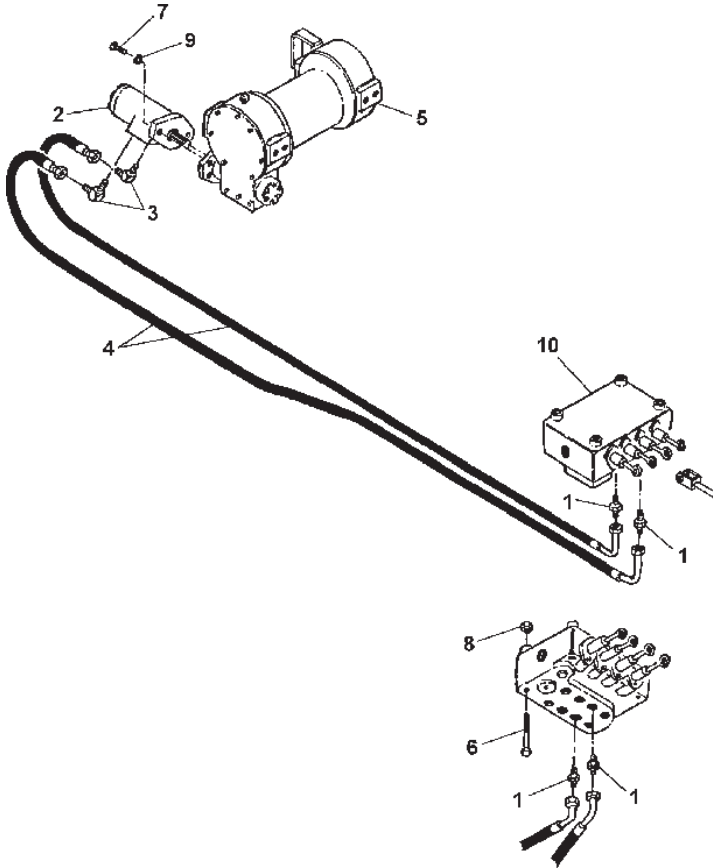
WINCH HYDRAULICS - BRADEN



REF. NO.	NO. REQ'D	PART NUMBER	DESCRIPTION
1	2	0300041	CONNECTOR, 1/2" SAE "O" RING X 1/2" JIC
2	1	0300090	MOTOR CHAR-LYNN HYD
3	2	0300229	ELBOW, 8MJ-8MP90
4	2	0301893	HOSE, WINCH MOTOR
5	REF.	0302895	WINCH ASSEMBLY, BRADEN
6	3	0400140	SCREW, 3/8"-16 X 4" HEX HD CAP GR5-ZP
7	2	0400192	SCREW 1/2"-20 X 1-3/4" SKT HD CAP GR5
8	3	0400392	NUT 3/8"-16 NYLOK HEX - ZP
9	1	0902785	VALVE ASSEMBLY, SALAMI 4 SPOOL

Section VI - PARTS (cont'd)

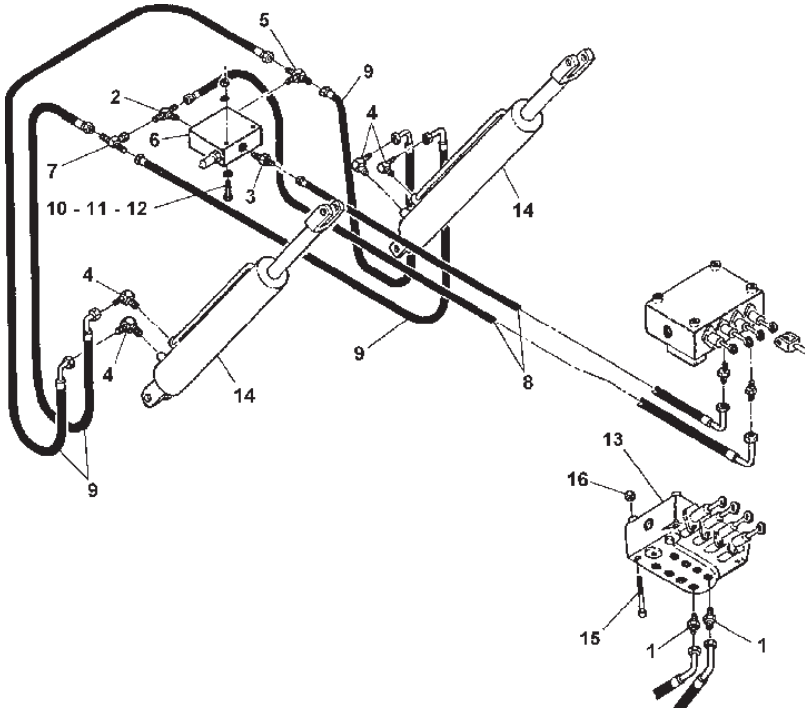
WINCH HYDRAULICS - RAMSEY



REF. NO.	NO. REQ'D	PART NUMBER	DESCRIPTION
1	2	0300041	CONNECTOR, 1/2" SAE "O" RING X 1/2" J.I.C.
2	1	0300090	MOTOR CHAR-LYNN HYD
3	2	0300229	ELBOW, 8MJ-8MP90
4	2	0301893	HOSE, WINCH MOTOR
5	REF.	0302895	WINCH ASSEMBLY, BRADEN
6	3	0400140	SCREW, 3/8"-16 X 4" HEX HD CAP GR5-ZP
7	2	0400192	SCREW 1/2"-13 X 1.-1/4" SKT HD CAP GR5
8	2	0400392	NUT 3/8"-16 NYLOK HEX - ZP
9	2	0400491	WASHER, 1/2" HELICAL LOCK - ZP
10	1	0902785	VALVE ASSEMBLY, SALAMI 4 SPOOL

Section VI - PARTS (cont'd)

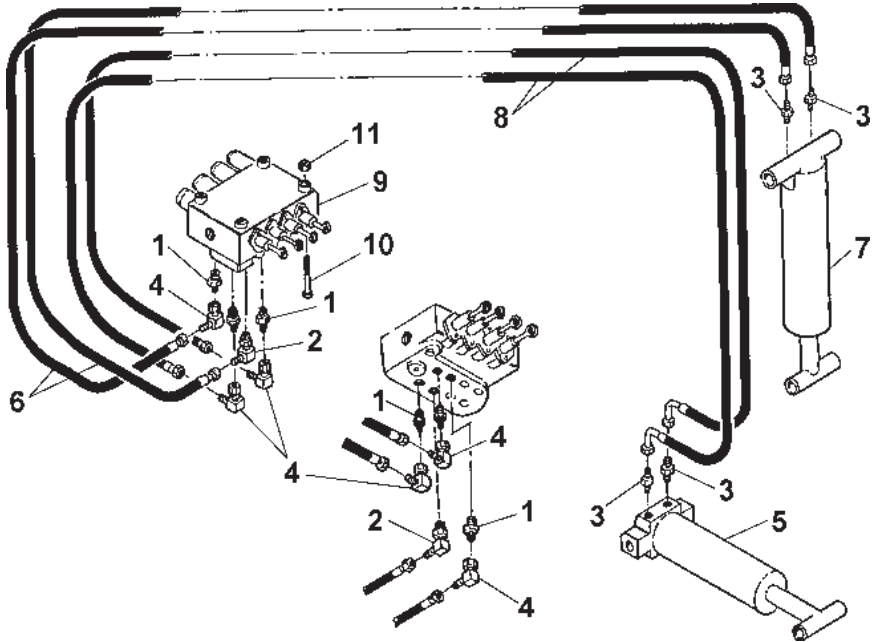
BOOM ELEVATION HYDRAULICS



REF. NO.	NO. REQ'D	PART NUMBER	DESCRIPTION
1	1	0300041	CONNECTOR, "O" RING
2	1	0300206	TEE, BRANCH 845-FS-06 X 04
3	1	0301425	CONNECTOR, MALE
4	4	0301620	ELBOW, "O" RING 90°
5	1	0301855	TEE, MALE
6	1	0302476	VALVE, HOLDING
7	1	0302573	TEE, 6MJ-6MJ-6FJX
8	2	0302909	HOSE ASSEMBLY, 36"
9	4	0302926	HOSE ASSEMBLY, 4M2T-29
10	2	0400078	SCREW, 1/4"-20 X 2" HEX HD CAP GR5-ZP
11	2	0400367	NUT, 1/4"-20 HEX NYLOK - ZP
12	4	0400451	WASHER, 1/4" FLAT - ZP
13	1	0902785	VALVE ASSEMBLY, SALAMI 4 SPOOL
14	REF.	IT-27B	BOOM CYLINDER, ELEVATION
15	3	0400140	SCREW, 3/8"-16 X 4" HEX HD CAP GR5-ZP
16	3	0400392	NUT, 3/8"-16 NYLOK HEX - ZP

Section VI - PARTS (cont'd)

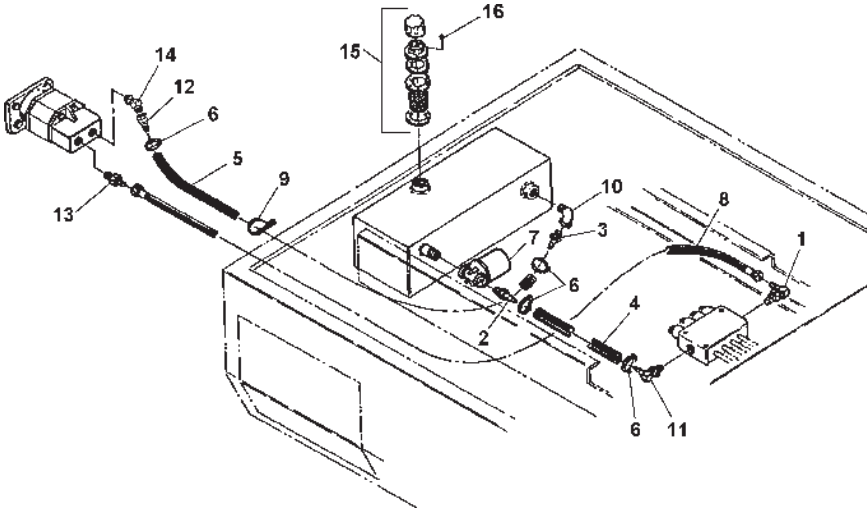
UNDERLIFT HYDRAULICS



REF. NO.	NO. REQ'D	PART NUMBER	DESCRIPTION
1	3	0300041	CONNECTOR, "O" RING
2	1	0300052	ELBOW, "O" RING 90°
3	4	0301522	CONNECTOR, STRAIGHT "O" RING
4	3	0301696	ELBOW, 90°
5	1	0301825	EXTENSION CYLINDER, DUPLEX TILT
6	2	0301965	HOSE ASSEMBLY, EXTEND CYLINDER
7	1	0302891	CYLINDER, TILT
8	2	0302922	HOSE ASSEMBLY - TILT
9	1	0902785	VALVE ASSEMBLY, SALAMI 4 SPOOL
10	3	0400140	SCREW, 3/8"-16 X 4" HEX HD CAP GR5-ZP
11	3	0400392	NUT, 3/8"-16 NYLOK HEX - ZP

Section VI - PARTS (cont'd)

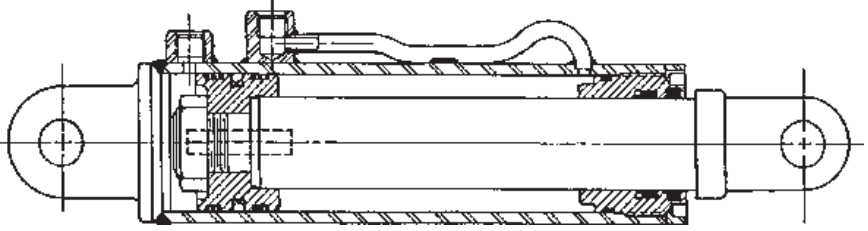
PUMP & RESERVOIR HYDRAULICS



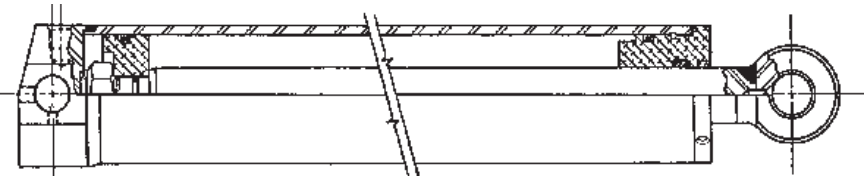
REF. NO.	NO. REQ'D	PART NUMBER	DESCRIPTION
1	1	0300052	ELBOW, "O" RING 90°
2	1	0300055	BARB, 3/4" HOSE
3	1	0300056	BARB, 1" NPT
4	33"	0300057	HOSE, 3/4" RETURN
5	9 FT.	0300058	HOSE, 1" SUCTION
6	4	0300071	CLAMP, 1" HOSE
7	1	0300136	FILTER, RETURN LINE
8	1	0300165	HOSE ASSEMBLY, FJX
9	1	0300188	CLAMP, 1" INSULATED HOSE
10	1	0300692	ELBOW, 1"-90° STREET
11	1	0301375	ELBOW, 90°
12	1	0301767	HOSE BARB, 1" FJ1XX1"
13	1	0302757	CONNECTOR, HYD 8MJ-16MB
14	1	0302761	CONNECTOR, HYD 16MJ-16MB45
15	1	0305006	CAP ASSEMBLY, FILLER
16	6	0400045	SCREW, #10-32 X 1 1/2" THD CUT RH PHIL-SS

Section VI - PARTS (cont'd)

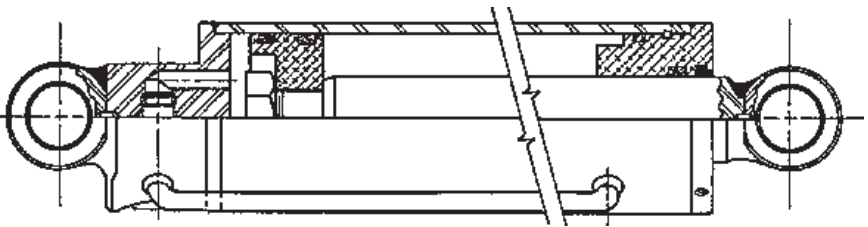
HYDRAULIC CYLINDERS



REF. NO.	NO. REQ'D	PART NUMBER	DESCRIPTION
1	2	IT-27B	BOOM CYLINDER, ELEVATION (COMPLETE)
2	1	IT-97	SEAL KIT, ELEVATION CYLINDER

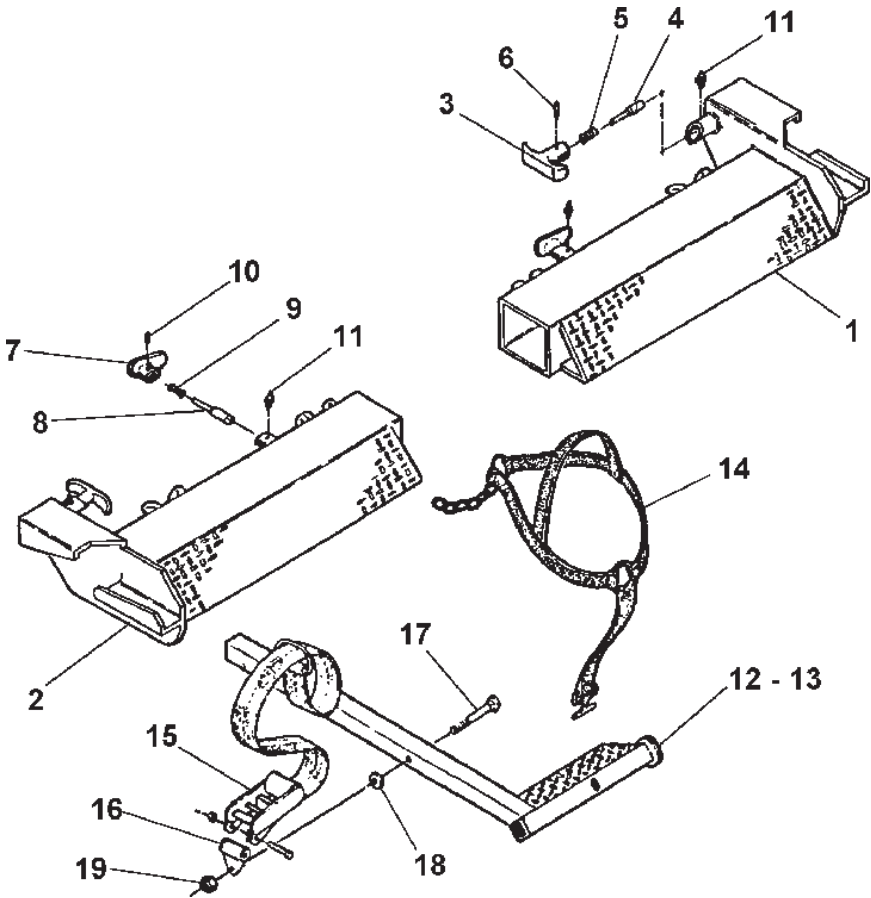


REF. NO.	NO. REQ'D	PART NUMBER	DESCRIPTION
1	1	0301825	UNDERLIFT CYLINDER EXTEND (COMPLETE)
2	1	0304086	SEAL KIT, EXTEND CYLINDER



REF. NO.	NO. REQ'D	PART NUMBER	DESCRIPTION
1	1	0302891	UNDERLIFT TILT CYLINDER (COMPLETE)
2	1	0300830	SEAL KIT, UNDERLIFT TILT CYLINDER

Section VI - PARTS (cont'd)
OUTER CROSSTUBE & SLIDE-IN
TIRE RESTRAINT ASSEMBLY



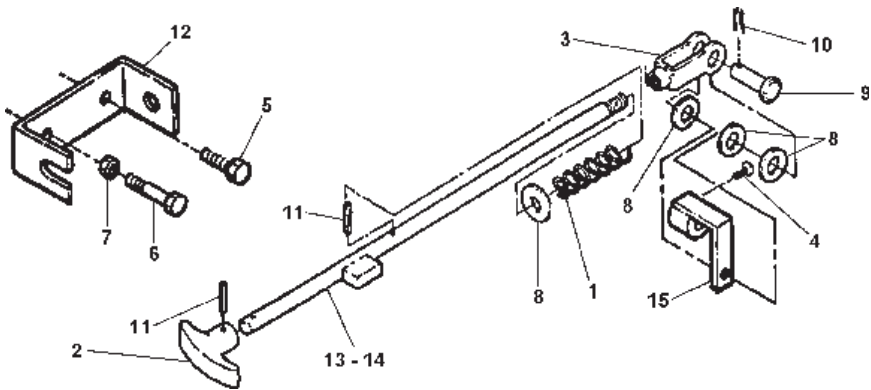
Section VI - PARTS (cont'd)
OUTER CROSSTUBE & SLIDE-IN
TIRE RESTRAINT ASSEMBLY

REF. NO.	NO. REQ'D	PART NUMBER	DESCRIPTION
1	1	0802571	"L" ARM RECEIVER, R.H.
2	1	0802570	"L" ARM RECEIVER, L.H.
3	2	0302648	"T" HANDLE
4	2	0707505	PIN, PLUNGER
5	2	0302641	SPRING, PLUNGER PIN
6	2	0400560	PIN, ROLL 5/32" X 1" ZP
7	2	RB0357	HANDLE, PULL GRIP
8	2	RB0296	PIN, PLUNGER PULL LOCK
9	2	HD1203	SPRING, PLUNGER PIN
10	2	AA-87	PIN, ROLL 5/32" X 1-1/8"
11	4	0300113	GREASE FITTING, ALEMITE
12	1	0802196	"L" ARM, ALUM - L.H.
13	1	0802197	"L" ARM, ALUM - R.H.
14	2	0902382	1" NYLON, POLY-COAT STRAP (OPT.)
15	2	0301399	STRAP, TIE DOWN W/RATCHET (OPT.)
16	2	0800583	PIVOT, TIE DOWN (OPT.)
17	2	0400161	BOLT, 3/8"-16 X 2-3/4" GR8 PL CARR. (OPT.)
18	2	0400480	WASHER, 3/8" FLAT PL (OPT.)
19	2	0400390	NUT, 3/8"-16 ESLOK JAM (OPT.)

Section VI - PARTS (cont'd)

WINCH CLUTCH CONTROL

RAMSEY WINCH

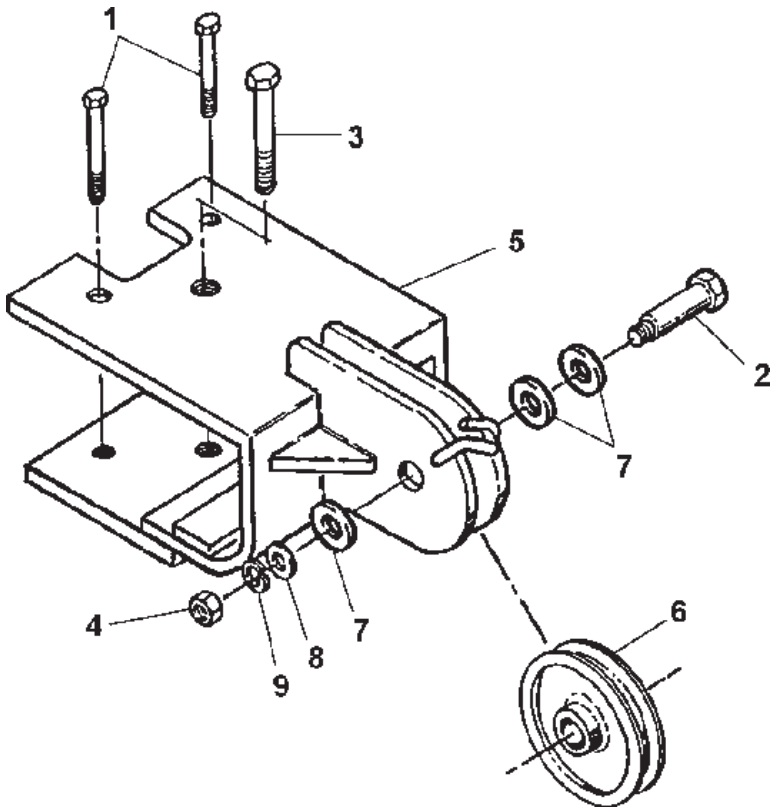


REF. NO.	NO. REQ'D	PART NUMBER	DESCRIPTION
1	1	0300845	SPRING, COMPRESSION
2	1	0301532	"T" HANDLE
3	1	0301588	ADJUSTING YOKE
4	1	0400116	SCREW, 5/16"-18 X 1/2" LG SQ HD SET
5	1	0400126	SCREW, 3/8"-16 X 1" LG HEX HD CAP
6	1	0400150	SCREW, 1/8"-16 X 2-1/2" LG HEX HD CAP
7	1	0400393	NUT, 3/8"-16 JAM
8	4	0400492	WASHER, 1/2" FLAT
9	1	0400537	PIN, 1/2" DIA X 1-1/2" LG CLEVIS
10	1	0400546	PIN, 1/8" X 1-1/4" LG COTTER
11	2	0400560	PIN, 5/32" X 1" LG ROLL
12	1	0702408	MOUNTING CHANNEL
13	1	0802613	CONTROL ROD, SINGLE WINCH
14	1	0802614	CONTROL ROD, DUAL WINCH
15	1	0800779	WELDMENT, BELL CRANK

Section VI - PARTS (cont'd)

CROSSTUBE

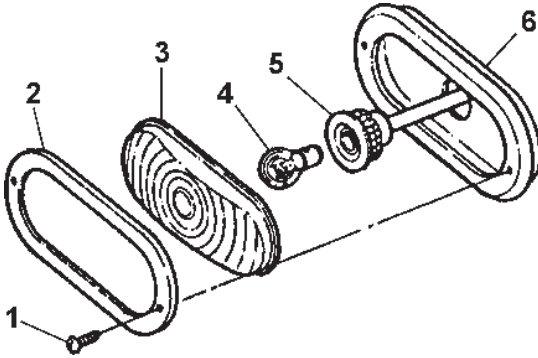
CABLE ADAPTER ASSEMBLY



REF. NO.	NO. REQ'D	PART NUMBER	DESCRIPTION
1	2	0400220	SCREW, 1/2"-13 X 5-1/2" HEX HD CAP GR5-ZP
2	1	0400277	SHOULDER BOLT, 5/8"-11, 3/4" X 1-1/2" SKHD
3	1	0400294	SCREW, 3/4"-10 X 6-1/2" HEX HD CAP GR5-ZP
4	1	0400421	NUT, 5/8"-11 NYLOK HEX
5	1	0802547	ADAPTER, WINCH CABLE
6	1	AWS-4013-A	SHEAVE, 5"
7	3	0400510	FLATWASHER, 3/4" ZP
8	1	0400506	FLATWASHER, 5/8" ZP
9	1	0400508	LOCKWASHER, 5/8" HELICAL-ZP

Section VI - PARTS (cont'd)

LIGHT KIT

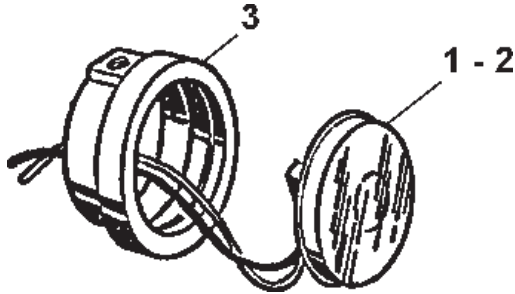


REF. NO.	NO. REQ'D	PART NUMBER	DESCRIPTION
1	--	0304123	BEZEL MTG SCREW, STOP & TURN LIGHT
2	--	0304124	CHROME BEZEL, STOP & TURN LIGHT
3	--	0304125	LENS ASSEMBLY, STOP & TURN LIGHT
4	--	0300498	BULB, STOP & TURN LIGHT
5	--	0304126	LIGHT SOCKET, STOP & TURN LIGHT
6	--	0304127	RUBBER MTG GROMMET, STOP & TURN LIGHT
--	--	0301390	LIGHT, STOP & TURN (COMPLETE)

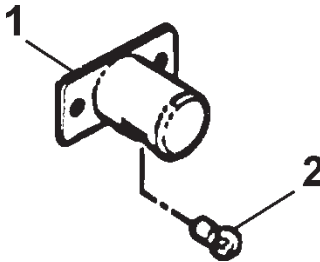


REF. NO.	NO. REQ'D	PART NUMBER	DESCRIPTION
--	--	0302201	LIGHT, BACK-UP (COMPLETE)

Section VI - PARTS (cont'd) LIGHT KIT



REF. NO.	NO. REQ'D	PART NUMBER	DESCRIPTION
1	--	0301741	LENS & BULB, RED MARKER
2	--	0301742	LENS & BULB, AMBER MARKER
3	--	0301740	GROMMET & PLUG, MARKER LIGHT



REF. NO.	NO. REQ'D	PART NUMBER	DESCRIPTION
1	--	0300273	LICENSE PLATE ILLUMINATOR (COMPLETE)
2	--	0300512	BULB, LICENSE PLATE ILLUMINATOR

Champion®

Miller Industries Towing Equipment Inc.
8503 Hilltop Drive • Ooltewah, Tennessee 37363 • (423) 238-4171
www.millerind.com