

Champion®



OWNER'S MANUAL

ALUMINUM & STEEL CAR CARRIERS

INSTALLATION, OPERATION, MAINTENANCE & PARTS

**NOTE: MANUAL including SPECIFICATIONS, subject to change without notice
All ratings specified are based on structural factors only,
not vehicle capacities or capabilities.**

A Division of Miller Industries Towing Equipment Inc.
8503 Hilltop Drive
Ooltewah, Tennessee 37363

Phone (423) 238-7227 • FAX (423) 238-5371

FORM NO. 0500800
REV.
12/05
PRICE \$25.00

Section VI - PARTS

This Section is provided by the manufacturer for the purpose of ordering any component part of the **10 Series Car Carrier** that may be required when part replacement is necessary. Be certain to use only original equipment replacement parts for warranty purposes as well as for keeping your **10 Series Car Carrier** in its original state and optimum operating capacities.

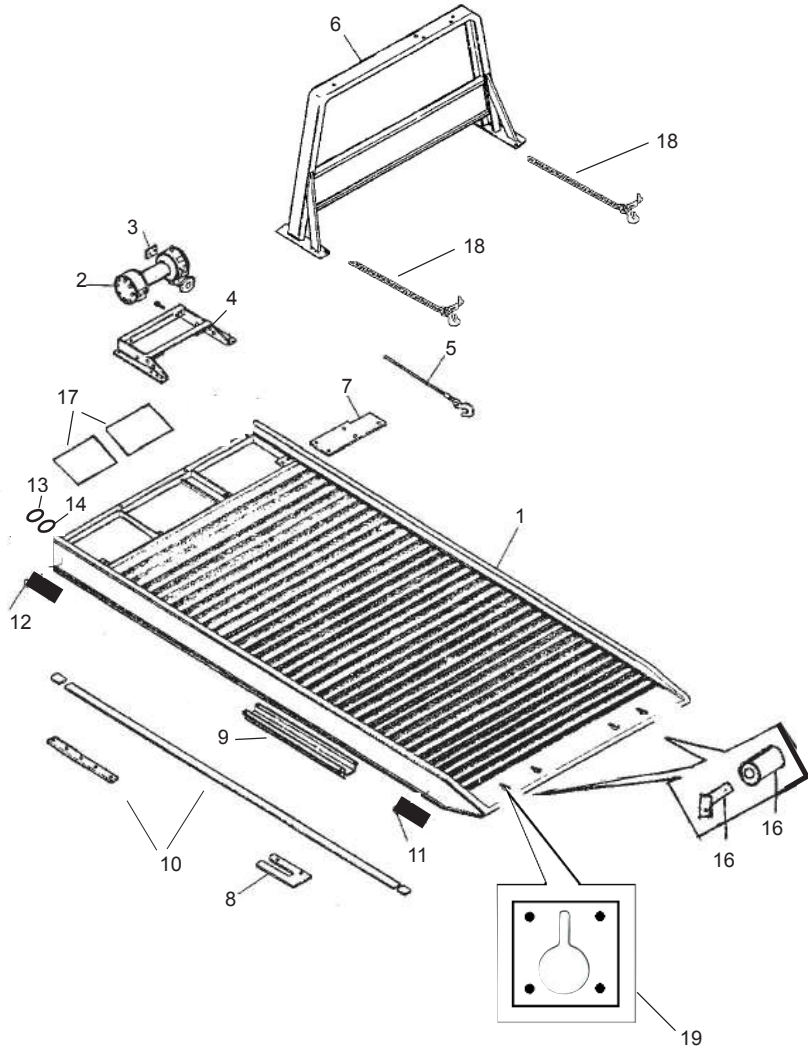
When ordering replacement or spare parts be sure to provide the following information to your carrier manufacturer authorized representative.

1. **Manual Number & Date of Publication**
2. **Manual Page Number**
3. **Page Title**
4. **Reference Number of Part Desired**
5. **Part Number**
6. **Part Description**
7. **Quantity of Part Desired**

Providing this information will help ensure that the correct parts will be delivered to you in an expedient manner without delay. Should additional information be required for repair or replacement of certain components, contact **Miller Industries, Hermitage, PA, Phone: 724-981-3328, FAX 724-981-5260.**

The Manufacturer reserves the right, without notice or obligation, to improve or modify their products, which may change the specifications, models and feature availability.

**Section VI - PARTS
ALUMINUM BED ASSEMBLY
FULL SIDE**



VI-2

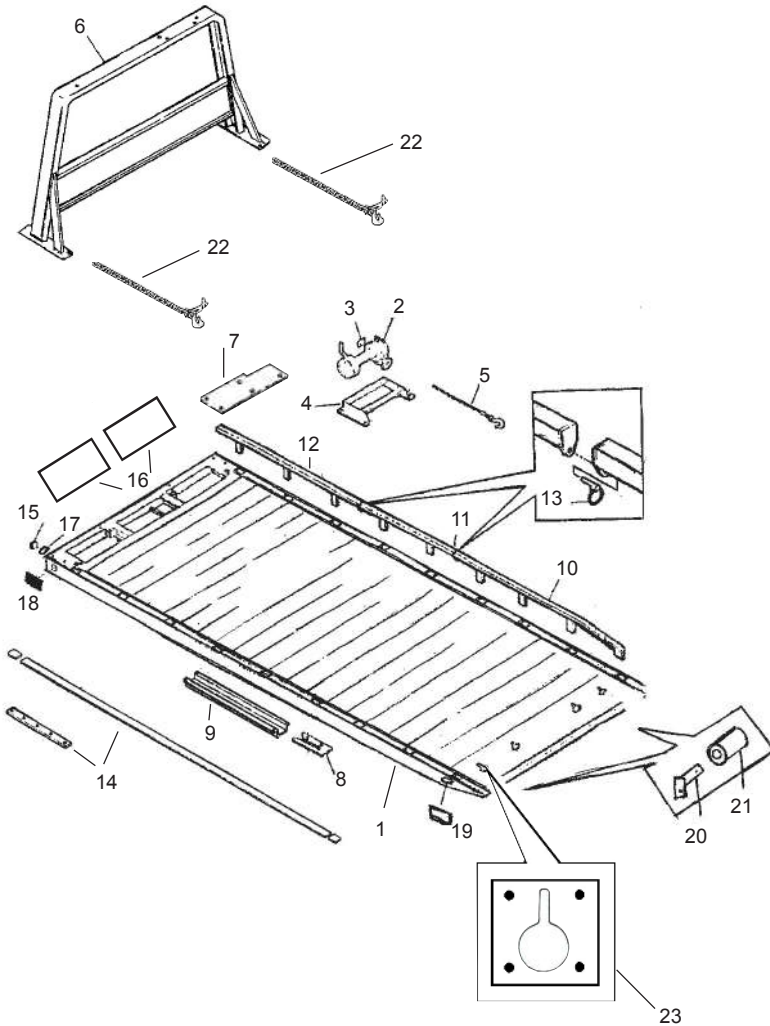
**Section VI - PARTS (cont'd)
ALUMINUM BED ASSEMBLY
FULL SIDE**

REF. NO.	NO. REQ'D	PART NUMBER	DESCRIPTION
1	1	*	CARRIER BED WELDMENT
2	1	0308698	WINCH - 4 TON WORM
3	2	0701172	SPACER, WINCH BRACKET
4	1	0801482	WINCH FRAME - 4 TON WORM
5	1	0301669	WINCH CABLE ASSEMBLY
6	1	*	CAB PROTECTOR WELDMENT - SPECIFY CHASSIS
7	1	0703203	COVER PLATE
8	1	0708913	ANTI-TILT PLATE
9	2	0720283	HOSE TRAY - 19'
	2	0710777	HOSE TRAY - 21'
10	1	0905059	BEARING PAD KIT - 17' THRU 19'6"
	1	0905060	BEARING PAD KIT - 21' THRU 22'2"
11	2	0308969R	MARKER LIGHT, RED
12	2	0308969A	MARKER LIGHT, AMBER
13	2	0311513	LIGHT 2.5" AMBER REFLEX LED (MCL59AB)
14	12	0311516	LIGHT 2.5" GROMMET
15	2	0750842	J-BAR
16	2	0721483	ROLLER (OPTION)
17	2	0306054	TRAY MAT
18	2	0301932	FRONT SAFETY CHAIN ASSEMBLY - 5/16" x 8'
19	4	0707239	KEY HOLE PLATE
	16	0403053	3/8 - 16 x 1-1/4" CARRIAGE HEAD BOLT SS
	16	0402122	3/8 - 16 HEX NUT SS
	16	0402121	3/8 LOCK WASHER SS

* CONTACT DISTRIBUTOR FOR ADDITIONAL INFORMATION

VI-3

Section VI - PARTS (cont'd)
ALUMINUM BED ASSEMBLY
REMOVABLE RAIL

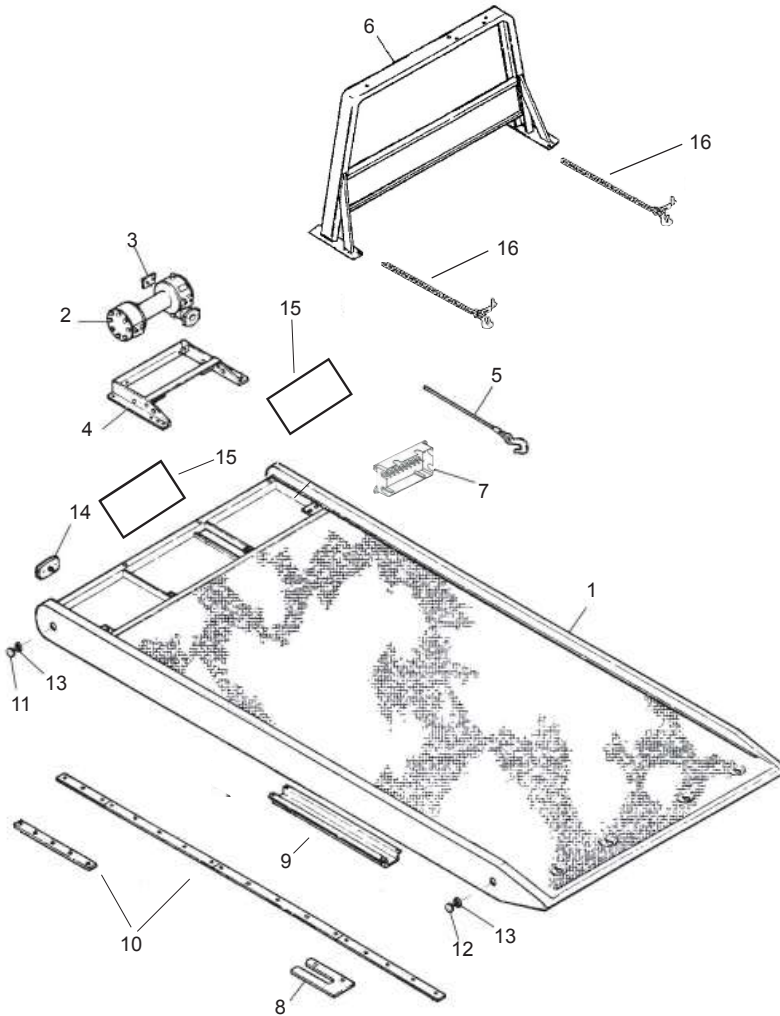


Section VI - PARTS (cont'd)
ALUMINUM BED ASSEMBLY
REMOVABLE RAIL

REF. NO.	NO. REQ'D	PART NUMBER	DESCRIPTION
1	1	*	CARRIER BED WELDMENT
2	1	0308698	WINCH - 4 TON WORM
3	2	0701172	SPACER, WINCH BRACKET
4	1	0801482	WINCH FRAME - 4 TON WORM
5	1	0301669	WINCH CABLE ASSEMBLY
6	1	*	CAB PROTECTOR WELDMENT - SPECIFY CHASSIS
7	1	0703203	COVER PLATE
8	1	0708913	ANTI-TILT PLATE
9	2	0720283	HOSE TRAY - 19'
	2	0710777	HOSE TRAY - 21'
10	2	0809393	REAR REMOVABLE RAIL - STEEL (19' THRU 21'6)
11	2	0802661	MID REMOVABLE RAIL - STEEL (19' THRU 21'6)
12	2	*	FRONT REMOVABLE RAIL - STEEL
13	4	0306070	LYNCH PIN
14			REFER TO SUBFRAME
15	2	0311513	LIGHT 2.5" AMBER REFLEX LED (MCL59AB)
16	2	0306054	TRAY MATS
17	4	0311516	LIGHT 2.5" GROMMET
18	2	0308360	LED MARKER LIGHT, AMBER (RECT)
19	2	0308359	LED MARKER LIGHT, RED (RECT)
20	2	0750842	J-BAR
21	2	0751155	J-BAR MOUNTING BRACKET (RR ONLY)
22	2	0302493	FRONT SAFETY CHAIN ASSEMBLY - 5/16" x 8'
23	4	0707239	KEY HOLE PLATE
	16	0403053	3/8 - 16 x 1-1/4" CARRIAGE HEAD BOLT SS
	16	0402122	3/8 - 16 HEX NUT SS
	16	0402121	3/8 LOCK WASHER SS

* CONTACT DISTRIBUTOR FOR ADDITIONAL INFORMATION

Section VI - PARTS (cont'd)
STEEL BED ASSEMBLY
TUBE SIDE



VI-6

Section VI - PARTS (cont'd)
STEEL BED ASSEMBLY
TUBE SIDE

REF. NO.	NO. REQ'D	PART NUMBER	DESCRIPTION
1	1	*	CARRIER BED WELDMENT
2	1	0308698	4 TON WINCH ASSEMBLY
3	2	0701172	SPACER, WINCH BRACKET
4	1	0801482	WINCH FRAME - 4 TON WORM
5	1	0301669	WINCH CABLE ASSEMBLY
6	1	*	CAB PROTECTOR WELDMENT -SPECIFY CHASSIS
7	1	0303385	JUNCTION BOX
8	1	0708913	ANTI-TILT PLATE
9	2	0720283	HOSE TRAY - 19'
	2	0710777	HOSE TRAY - 21'
10			REFER TO SUBFRAME
11	2	0311513	LIGHT 2.5" AMBER REFLEX LED (MCL59AB)
12	2	0311512	LIGHT 2.5" RED REFLEX LED (MCL59RB)
13	4	0311516	LIGHT 2.5" GROMMET
14	2	0308360	LED MARKER LIGHT, AMBER (RECT.)
15	2	0306054	STORAGE TRAY MAT - ALL STEEL BODIES
16	2	0302493	FRONT SAFETY CHAIN ASSEMBLY - 5/16" x 8'

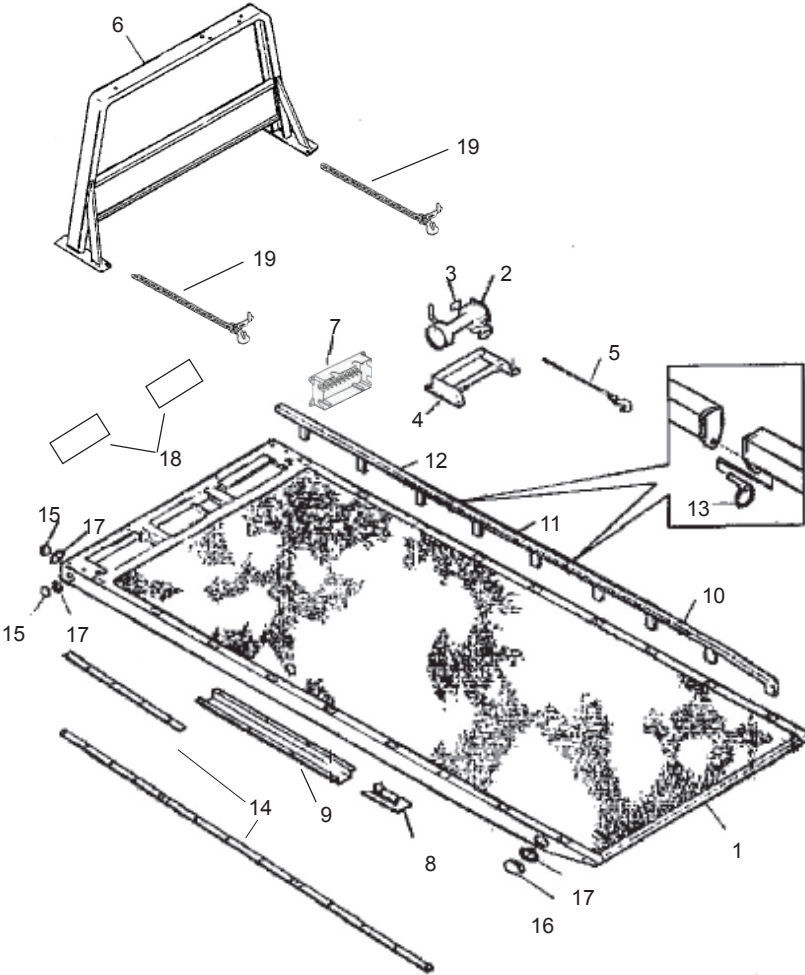
* CONTACT DISTRIBUTOR FOR ADDITIONAL INFORMATION

VI-7

Section VI - PARTS (cont'd)

STEEL BED ASSEMBLY

REMOVABLE RAIL



Section VI - PARTS
STEEL BED ASSEMBLY
REMOVABLE RAIL

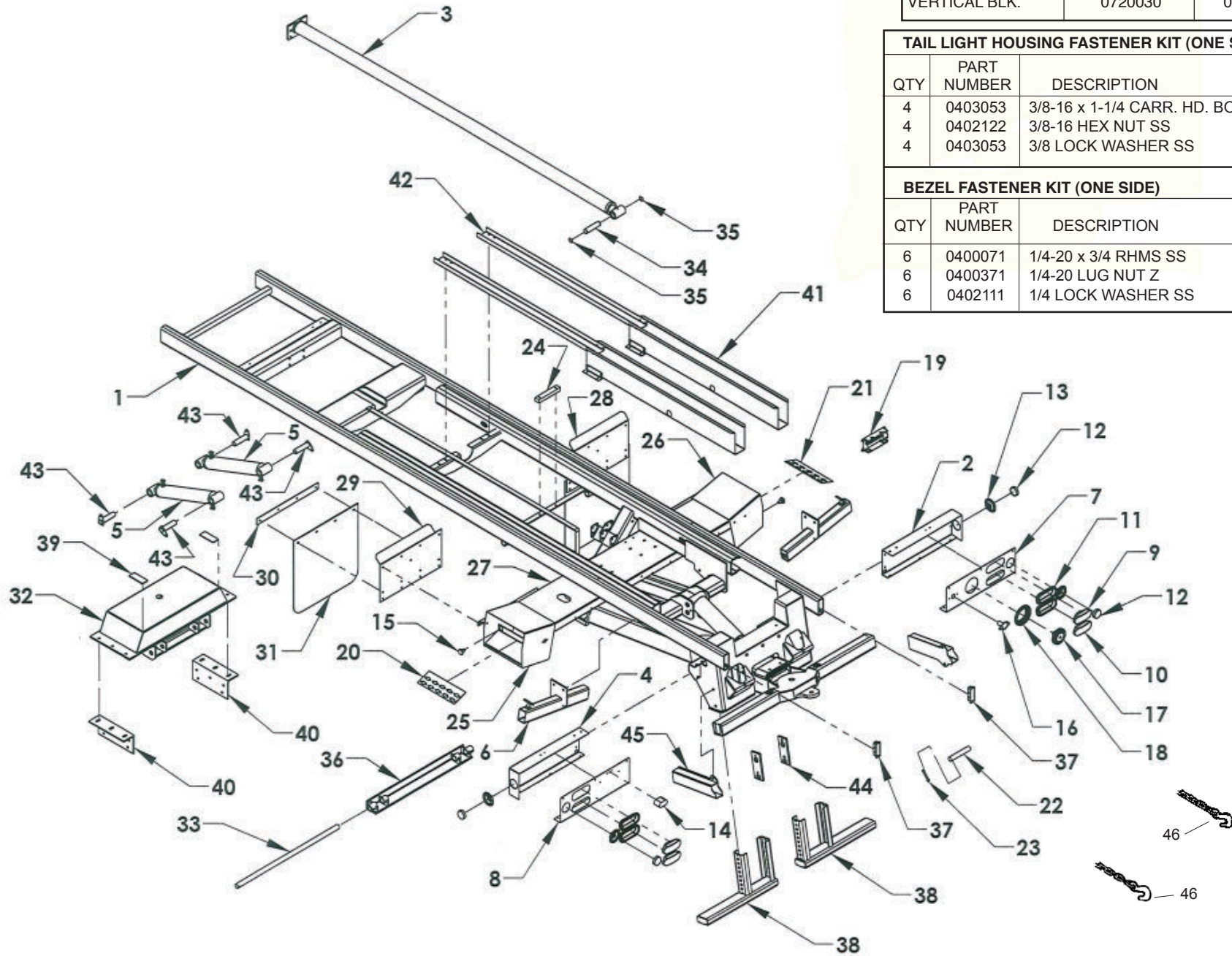
REF. NO.	NO. REQ'D	PART NUMBER	DESCRIPTION
1	1	*	CARRIER BED WELDMENT
2	1	0308698	4 TON WINCH ASSEMBLY
3	2	0701172	SPACER, WINCH BRACKET
4	1	0801482	WINCH FRAME - 4 TON WORM
5	1	0301669	WINCH CABLE ASSEMBLY
6	1	*	CAB PROTECTOR WELDMENT -SPECIFY CHASSIS
7	1	0303385	JUNCTION BOX
8	1	0708913	ANTI-TILT PLATE
9	2	0720283	HOSE TRAY - 19'
	2	0710777	HOSE TRAY - 21'
10	2	0809393	REAR REMOVABLE RAIL - STEEL (19' THRU 21'6)
11	2	0802661	MID REMOVABLE RAIL - STEEL (19' THRU 21'6)
12	2	*	FRONT REMOVABLE RAIL - STEEL
13	4	0306070	LYNCH PIN
14			REFER TO SUBFRAME
15	4	0311513	LIGHT 2.5" AMBER REFLEX LED (MCL59AB)
16	2	0311512	LIGHT 2.5" RED REFLEX LED (MCL59RB)
17	6	0311516	LIGHT 2.5" GROMMET
18	2	0306054	STORAGE TRAY MAT - ALL STEEL BODIES
19	2	0302493	FRONT SAFETY CHAIN ASSEMBLY - 5/16" x 8'

Section VI - PARTS TILT FRAME ASSEMBLY

BEZEL TYPE	LH	RH
HORIZONTAL S.S.	0721760	0721761
VERTICAL S.S.	0721339	0721340
HORIZONTAL BLK.	0705253	0705254
VERTICAL BLK.	0720030	0720031

TAIL LIGHT HOUSING FASTENER KIT (ONE SIDE)		
QTY	PART NUMBER	DESCRIPTION
4	0403053	3/8-16 x 1-1/4 CARR. HD. BOLT SS
4	0402122	3/8-16 HEX NUT SS
4	0403053	3/8 LOCK WASHER SS

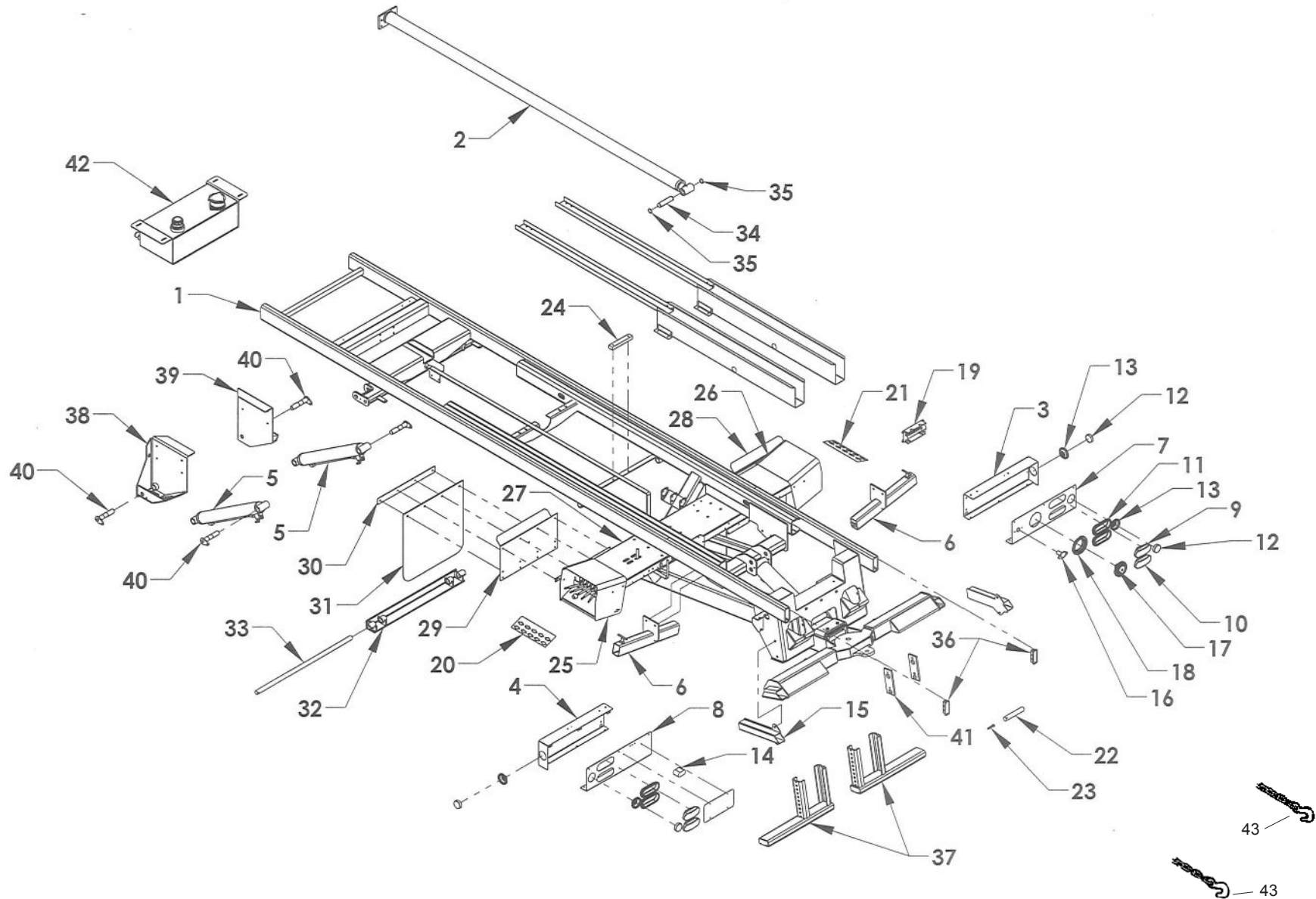
BEZEL FASTENER KIT (ONE SIDE)		
QTY	PART NUMBER	DESCRIPTION
6	0400071	1/4-20 x 3/4 RHMS SS
6	0400371	1/4-20 LUG NUT Z
6	0402111	1/4 LOCK WASHER SS



Section VI - PARTS (cont'd)
TILT FRAME ASSEMBLY

REF. NO.	NO. REQ'D	PART NUMBER	DESCRIPTION
1	1	0809293	SUBFRAME (CONVENTIONAL TILT)
2	1	0809092	TAIL LIGHT HOUSING (RH)
3	1	0301970	BED EXTENSION CYLINDER
4	1	0809093	TAIL LIGHT HOUSING (LH)
5	2	0308372	TILT CYLINDER
6	2	0805022	L-ARM STORAGE TUBE BRACKET (OPTIONAL)
	2	0809142	L-ARM STORAGE TUBE BRACKET (OPTIONAL)
7	1	0720031	PLATE, LIGHT MOUNTING (RH)
8	1	0720030	PLATE, LIGHT MOUNTING (LH)
9	2	0311498	LIGHT 6" OVAL RED LED
10	2	0311500	LIGHT 6" OVAL REVERSE LED
11	4	0311503	LIGHT 6" GROMMET
12	4	0311512	LIGHT 2.5" RED REFLEX LED (MCL59RB)
13	4	0311516	LIGHT 2.5" GROMMET
14	1	0308313	LED LICENSE PLATE ILLUMINATOR
15	2	0311527	LIGHT CONTROL BOX W/BASE & WIRE
16	1	0308210	TOW LIGHT SOCKET
17	1	0306385	BACK-UP ALARM
18	1	0311528	BACK-UP ALARM GROMMET MODEL 40
19	1	0303385	JUNCTION BOX
20	1	0500425	CONTROL STA. DECAL, 5 SPOOL (LH)
21	1	0500426	CONTROL STA. DECAL, 5 SPOOL (RH)
22	1	0750562	PIN, W/L CYLINDER
23	1	84680	ROD END
24	1	0306052	CYLINDER PAD
25	1	0809511L	CONTROL BOX HOOD WELDMENT (LH)
26	1	0809511R	CONTROL BOX HOOD WELDMENT (RH)
27	1	0809510	CONTROL BOX SUPP. CHANNEL (LONG)
	1	0940125	ITEMS #25, 26, 27 COMPLETE
28	1	0720080	MUD FLAP MTG. BRACKET, STD. LONG (RH)
29	1	0720081	MUD FLAP MTG. BRACKET, STD. LONG (LH)
30	2	0750340	BAR, MUD FLAP SUPPORTS (S.S.)
31	2	0306001	MUDFLAP 24" x 24"
32	1	0809397	OIL RESERVOIR
33	1	0704792	PIN, PIVOT (HINGE)
34	1	0702434	PIN, BED EXTEND
35	2	0301642	SNAP RING 1-1/4"
36	1	0801450	TILT PIVOT WELDMENT - MTG. FRAME
37	2	3038093	SUBFRAME END CAP
38	2	0809188	EXTENSION STAND - WHEN NEEDED
39	2	0750319	STOP PAD
40	2	1709862	OIL RESERVOIR MTG. BRACKETS
41	2	0750531	REAR HOSE TRAY
42	2	0750415	FRONT HOSE TRAY
43	4	0809395	PIN, LIFT CYLINDER
44	2	0750409	W/L WEAR PAD
45	2	0809286L	ALUM. L-ARM STORAGE TUBE BRKT (OPT)
	2	0809286R	ALUM. L-ARM STORAGE TUBE BRKT (OPT)
	2	0809287L	STEEL L-ARM STORAGE TUBE BRKT (STD)
	2	0809287R	STEEL L-ARM STORAGE TUBE BRKT (STD)
46	2	0302493	SAFETY CHAIN
	1	0940278	BEARING PAD KIT (10 SERIES)

Section VI - PARTS
TILT FRAME ASSEMBLY - OUTBOARD TILT
CYLINDERS

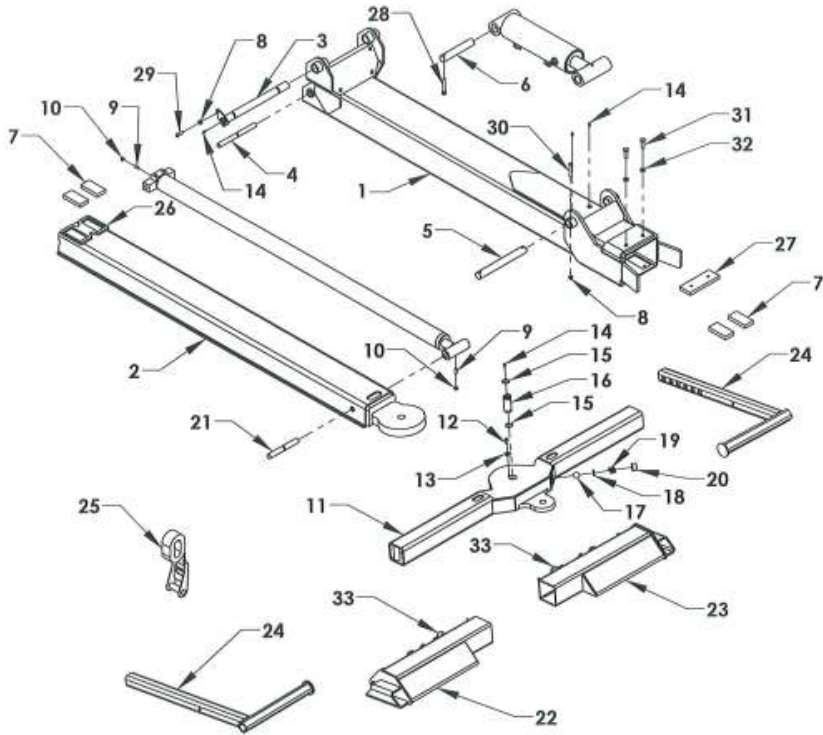


Section VI - PARTS

TILT FRAME ASSEMBLY - OUTBOARD TILT CYLINDERS

REF. NO.	NO. REQ'D	PART NUMBER	DESCRIPTION
1	1	0809293-OBT	SUBFRAME WELDMENT
2	1	0301970	BED EXTENSION CYLINDER
3	1	0809092	TAIL LIGHT HOUSING (RH)
4	1	0809093	TAIL LIGHT HOUSING (LH)
5	2	721092	TILT CYLINDER
6	2	0805022	L-ARM STORAGE TUBE BRACKET (OPTIONAL)
	2	0809142	L-ARM STORAGE TUBE BRACKET (OPTIONAL)
7	1	0721761	TAIL LIGHT BEZEL (RH)
8	1	0721760	TAIL LIGHT BEZEL (LH)
9	2	0311498	LIGHT 6" OVAL RED LED
10	2	0311500	LIGHT 6" OVAL REVERSE LED
11	4	0311503	LIGHT 6" OVAL GROMMET
12	4	0311512	LIGHT 2.5" REVERSE LED (MCL59RB)
13	4	0311516	LIGHT 2.5" GROMMET
14	1	0308313	LED LICENSE PLATE ILLUMINATOR
15	2	0809406	STEEL L-ARM STORAGE TUBE BRACKET (STD)
	2	0809286	ALUM. L-ARM STORAGE TUBE BRACKET (OPT)
16	1	0308210	TOW LIGHT SOCKET
17	1	0306385	BACK-UP ALARM
18	1	0311528	BACK-UP ALARM GROMMET MODEL 40
19	1	0303385	JUNCTION BOX
20	1	0500425	CONTROL STA. DECAL, 5 SPOOL (LH)
21	1	0500426	CONTROL STA. DECAL, 5 SPOOL (RH)
22	1	0750562	PIN, W/L CYLINDER
23	1	84680	ROD END
24	1	0306052	CYLINDER PAD
25	1	0809511L	CONTROL BOX HOOD WELDMENT (LH)
26	1	0809511R	CONTROL BOX HOOD WELDMENT (RH)
27	1	0809510	CONTROL BOX SUPP. CHANNEL WELDMENT
		0940125	ITEMS #25, 26, 27 COMPLETE
28	1	0720080	MUD FLAP MTG. BRACKET, STD. LONG (RH)
29	1	0720081	MUD FLAP MTG. BRACKET, STD. LONG (LH)
30	2	0750340	BAR, MUD FLAP SUPPORTS (S.S.)
31	2	0306001	CHAMPION MUDFLAP 24" x 24"
32	1	0801450	HINGE WELDMENT
33	1	0704792	PIN, PIVOT (HINGE))
34	1	0702434	PIN, BED EXTENSION CYLINDER
35	2	0301642	SNAP RING 1-1/4" EXTERNAL
36	2	0308093	SUBFRAME END CAPS
37	2	0809188	EXTENSION STAND - WHEN NEEDED
38	1	1A730L	OUTBOARD SADDLE (LH)
39	1	1A703R	OUTBOARD SADDLE (RH)
40	4	1A735	TILT CYLINDER PIN
41	2	0750409	W/L WEAR PAD
42	1	0909120	CENTER MOUNT OIL TANK ASSEMBLY
		0806594	CENTER MOUNT OIL TANK WELDMENT
43	2	0302493	SAFETY CHAIN
	1	0940278	BEARING PAD KIT (10 SERIES)

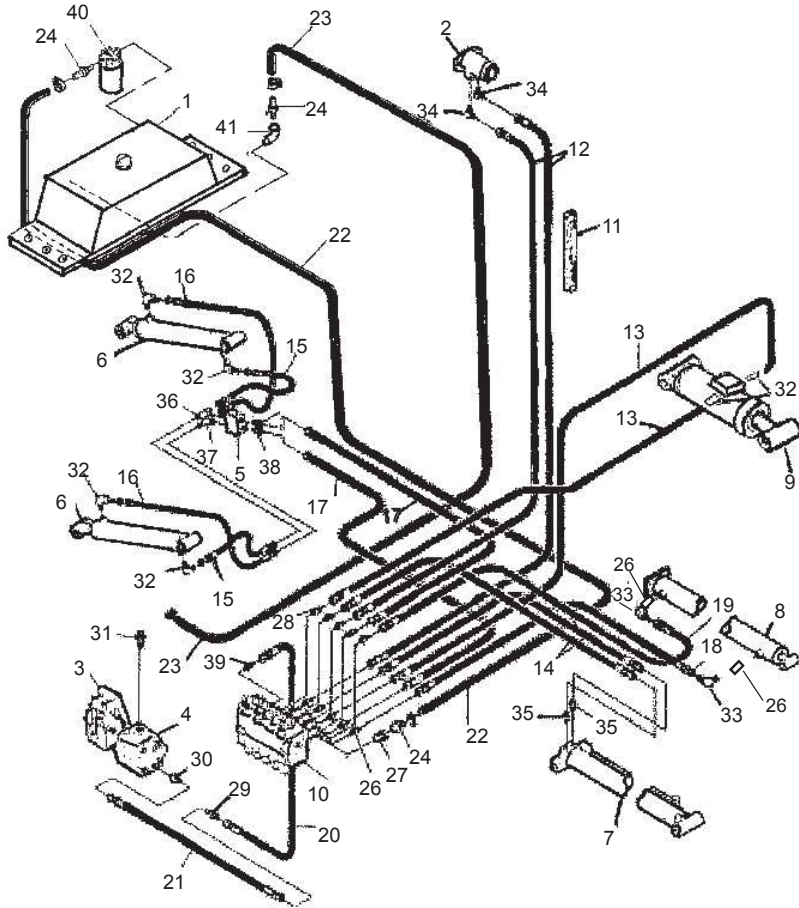
Section VI - PARTS
WHEEL LIFT & WHEEL RETAINER
ASSEMBLY



Section VI - PARTS
WHEEL LIFT & WHEEL RETAINER
ASSEMBLY

REF. NO.	NO. REQ'D	PART NUMBER	DESCRIPTION
1	1	0809187	OUTER BOOM WELDMENT
2	1	0809186	INNER BOOM WELDMENT
3	1	0809411	WHEEL LIFT HINGE PIN
4	1	0750524	EXTEND CYLINDER MOUNTING PIN 3/4" x 8-3/4"
5	1	0750523	LOWER LIFT CYLINDER PIN, (W/L)
6	1	0750562	UPPER LIFT CYLINDER PIN (W/L)
7	4	0750505	BEARING PAD, NYLATRON
8	2	0400392	NUT, 3/8"-16 HEX NYLOK
9	2	0400221	3/8-16 x 1" ALLEN HD SET SCREW Z
10	2	0400393	3/8-16 HEX JAM NUT Z
11	1	0808506	CROSSBAR WELDMENT, 3-1/2" SQUARE
12	1	0403004	3/8-16 x 3/4" BUTTON HEAD CAP SCREW
13	1	0720463	WASHER, PIVOT PIN RETAINER
14	4	0300113	GREASE FITTING, STRAIGHT
15	2	0308132	O-RING 1" ID x 1-1/4" OD x 1/8"
16	1	0720460	PIVOT PIN, W/L CROSSBAR
17	1	0308129	BALL, CHROME 1" (GRADE 16)
18	1	0721632	SPACER, CROSSBAR DETENT
19	1	0308131	SPRING, DIE
20	1	0308130	PIPE PLUG
21	1	0750525	EXTEND CYLINDER MTG PIN, 7/8" x 6-3/4"
22	1	0909498L	OUTER XTUBE ASSEMBLY (LH)
23	1	0909498R	OUTER XTUBE ASSEMBLY (RH)
24	2	0801332	L-ARM
25	2	0308664	STRAP, RATCHET PIVOT ASSEMBLY
26	1	0750383	ENCAPSULATING CAGE TOP
27	1	0750506	SPACER PAD
28	1	85680	ROD END KEEPER
29	1	0400148	SCREW, 3/8"-16 x 1-1/4" HEX HD CAP
30	1	0400150	SCREW, 3/8"-16 x 2-1/2" HEX HD CAP
31	2	0400181	1/2" x 1-1/2" HEX HD BOLT
32	2	0400491	1/2" LOCK WASHER
33	2	0306424	CAMLOCK PIN

Section VI - PARTS HYDRAULICS

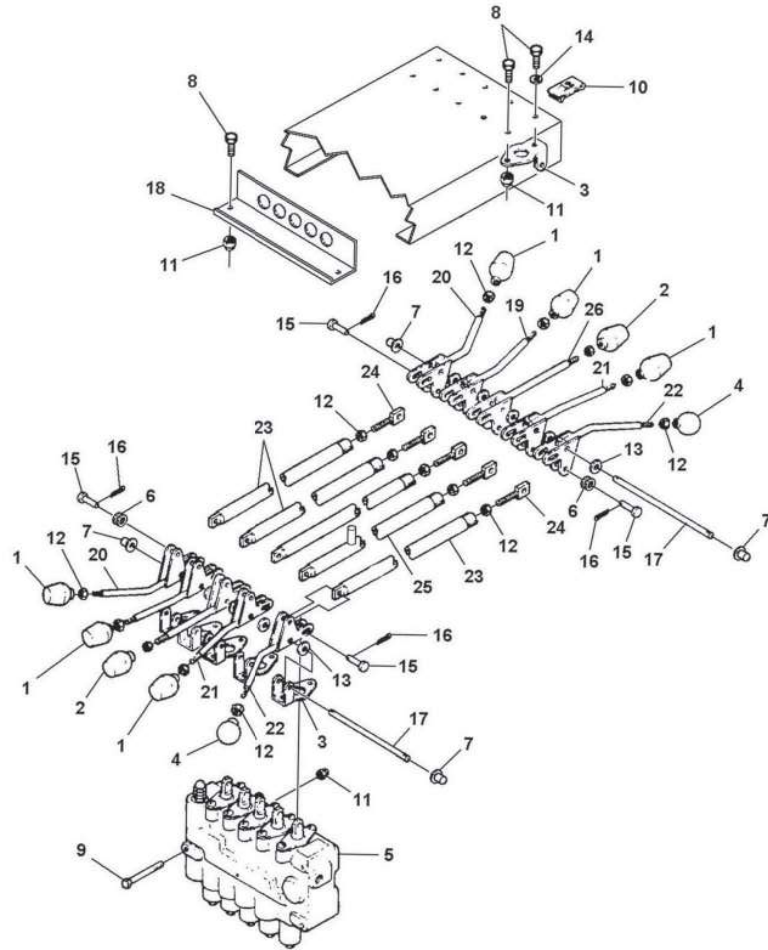


Section VI - PARTS (cont'd) HYDRAULICS

REF. NO.	NO. REQ'D	PART NUMBER	DESCRIPTION
1	1	0805093	OIL RESERVOIR
2	1	0306157	WINCH MOTOR, 4 TON
3	1	*	PTO
4	1	0306031	PUMP - 15 GPM
5	1	0308638	DOUBLE CHECK VALVE
6	2	0302867	BED TILT CYLINDER
7	1	0302178	WHEEL LIFT EXTEND CYLINDER
8	1	0301970	BED EXTEND CYLINDER
9	1	0308372	WHEEL LIFT CYLINDER
10	1	0302179	5 SPOOL VALVE BODY
11	1	0306182	HEAT SHRINK, BLACK 2" x 72" LG. - 17'6, 18'2
12	1	*	WINCH HOSE
13	2	0301403	HOSE ASSEMBLY 86"
14	2	0301478	HOSE ASSEMBLY 60"
15	2	0301524	HOSE ASSEMBLY 14"
16	2	0301660	HOSE ASSEMBLY 21"
17	2	0301878	HOSE ASSEMBLY 137"
18	1	0306071	HOSE ASSEMBLY 65-1/2"
19	1	0301658	HOSE ASSEMBLY 128"
20	1	*	HOSE ASSEMBLY
21	1	*	HOSE ASSEMBLY
22	1	0704802	HOSE, RETURN 3/4" x 192"
23	1	0306080	HOSE, SUCTION 1" x 11'
24	3	0308296	LOCK ON STEM 3/4" MALE NPT
25	1	0300056	HYDRAULIC FITTING 1" HOSE BARB
26	4	0300041	HYDRAULIC FITTING 8MJ-8MB
27	1	0300065	HYDRAULIC FITTING 12FPX-12MB
28	8	0300044	HYDRAULIC FITTING 6MJ-8MB
29	1	0300865	HYDRAULIC COUPLING 8MJ-8MJ
30	1	0302757	HYDRAULIC FITTING 8MJ-16MB
31	1	0300492	HYDRAULIC FITTING 1" HOSE BARB (16MB)
32	6	0306143	HYDRAULIC FITTING 6MJ-6MB 90 DEG.
33	2	0302488	HYDRAULIC FITTING 8MJ-8FJX 90 DEG.
34	2	0301470	HYDRAULIC FITTING 6MJ-8MB 90 DEG.
35	2	0301522	HYDRAULIC FITTING 6MJ-6MB
36	1	0300206	HYDRAULIC FITTING 6MJ-6MBP BRANCH TEE
37	1	0301694	HYDRAULIC FITTING (ORIFICE TEE)
38	2	0301424	HYDRAULIC FITTING 6MJ-4MP
39	1	0300789	HYDRAULIC FITTING 8MJ-10MB
40	1	0308151	OIL FILTER ASSEMBLY
41	1	0300692	STREET ELBOW, 1"

* CONTACT DISTRIBUTOR FOR ADDITIONAL INFORMATION

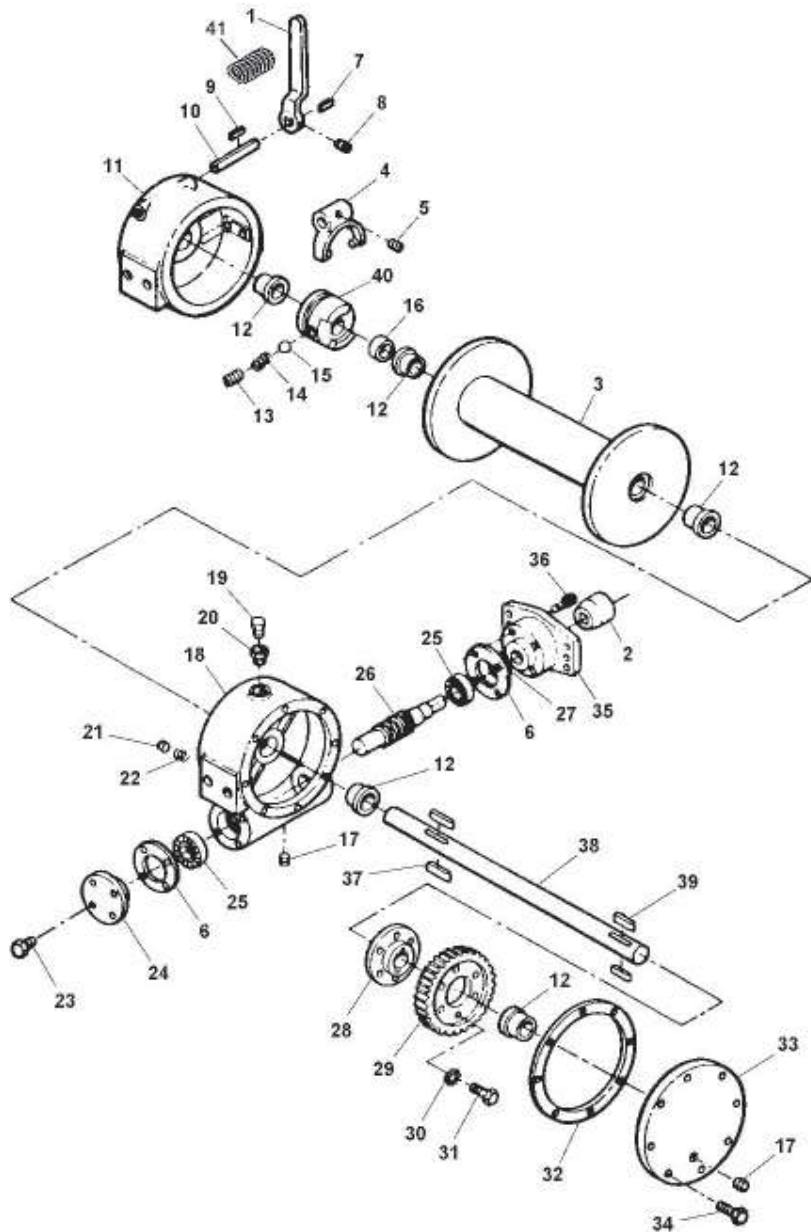
Section VI - PARTS (cont'd)
CONTROL & CROSSROD ASSEMBLY



Section VI - PARTS (cont'd)
CONTROL & CROSSROD ASSEMBLY

REF. NO.	NO. REQ'D	PART NUMBER	DESCRIPTION
1	6	0311699	CONTROL KNOB - BLUE SB/B-TILT, SP
2	2	0311700	CONTROL KNOB - RED PRIMARY WINCH
3	10	0301638	BRACKET, CONTROL HANDLE
4	2	0311702	CONTROL KNOB - GRAY W/L EXT/UP-DOWN
5	1	0302179	5-SPOOL CONTROL VALVE
6	10	0306006	SPRING, ANTI-RATTLE
7	4	0306122	END CAP, CONTROL HANDLE ROD
8	12	0400121	3/8-16 x 3/4" HHCS GR5 Z
9	3	0400140	3/8-16 x 4" HHCS GR5 Z
10	5	0400243	3/8-16, J-NUT TINNEMAN
11	10	0400392	3/8-16 NYLON LOCK NUT Z
12	10	0400393	3/8-16 HEX JAM NUT Z
13	15	0400465	5/16" SAE FLAT WASHER Z
14	5	0400482	3/8" LOCK WASHER Z
15	10	0400532	5/16" x 1" CLEVIS PIN Z
16	10	0400543	1/8" x 3/4" COTTER PIN Z
17	2	0705242	ROD, CONT. HANDLE 5 SPOOL
18	1	0720456	UHMW ANGLE
19	2	0809135	CONTROL HANDLE (FWD. INNER) LONG
20	2	0809138	CONTROL HANDLE (FWD. OUTER) LONG
21	2	0809136	CONTROL HANDLE (REAR INNER) LONG
22	2	0809137	CONTROL HANDLE (REAR OUTER) LONG
23	4	0806111	CONTROL ROD WELDMENT
24	5	0800800	CONTROL ROD LINK
25	1	0806112	CONTROL ROD WELDMENT (ANTI-TILT)
26	2	0809134	CONTROL HANDLE WELDMENT (CTR) LONG

Section VI - PARTS (cont'd) 4-TON HYDRAULIC WINCH



VI-20

Section VI - PARTS (cont'd) 4-TON HYDRAULIC WINCH

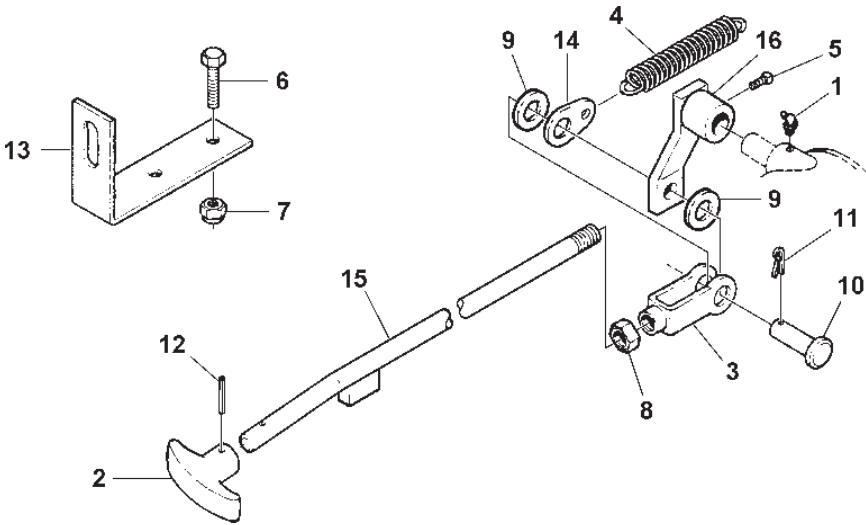
REF. NO.	NO. REQ'D	PART NUMBER	DESCRIPTION
1	1	0300261	LEVER
2	1	0300290	COUPLING
3	1	0300381	DRUM
4	1	0300398	YOKE
5	1	0300399	SCREW
6	2	0300447	GASKET
7	1	0300448	KEY
8	1	0300449	SCREW
9	1	0300450	KEY
10	1	0300451	SHAFT
11	1	0300452	CLUTCH HOUSING
12	5	0300453	BUSHING
13	1	0300454	SCREW
14	1	0300455	SPRING
15	1	0300456	BALL
16	1	0300458	SPACER
17	2	0300459	PLUG
18	1	0300460	HOUSING
19	1	0300461	PLUG
20	1	0300462	REDUCER
21	1	0300463	DRAG BRAKE
22	1	0300464	SPRING
23	16	0300465	SCREW
24	1	0300466	CAP
25	2	0300467	BEARING
26	1	0300468	WORM
27	1	0300471	SEAL
28	1	0300472	HUB
29	1	0300473	GEAR
30	6	0300474	WASHER
31	6	0300475	SCREW
32	1	0300476	GASKET
33	1	0600477	COVER
34	4	0300569	SCREW
35	1	0300694	CAP ADAPTER
36	1	0300695	SCREW
37	2	--	KEY
38	1	--	SHAFT
39	2	--	KEY
40	1	--	CLUTCH
41	1	0308608	TORSION SPRING
*	1	0308698	4 TON WORM WINCH ASSEMBLY

* When ordering specify winch serial number.

VI-21

Section VI - PARTS (cont'd)

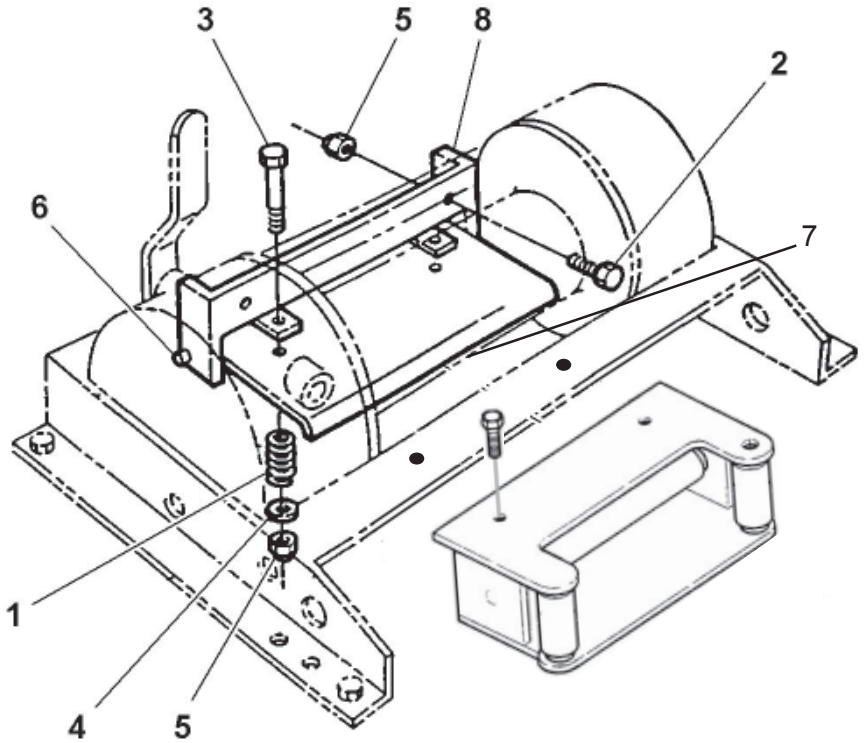
WINCH CLUTCH CONTROL



REF. NO.	NO. REQ'D	PART NUMBER	DESCRIPTION
1	1	0301397	GREASE FITTING, 90°
2	1	0301532	"T" HANDLE
3	1	0301588	ADJUSTING YOKE
4	1	0306015	SPRING COMPRESSION
5	1	0400116	SCREW, 5/16"-18 x 1/2" SQ HD SET
6	2	0400126	SCREW, 3/8"-16 x 1" HEX HD CAP
7	2	0400392	NUT, 3/8"-16 NYLOK
8	1	0400410	NUT, 1/2"-13 JAM
9	4	0400492	WASHER, 1/2" FLAT
10	1	0400537	PIN, 1/2" x 1-1/2" CLEVIS
11	1	0400546	PIN, 1/8" x 1-1/4" COTTER
12	2	0400560	PIN, 5/32" x 1" ROLL
13	1	0710918	MOUNTING ANGLE
14	1	0710919	SPRING HOLDER
15	1	0805170	CONTROL ROD
16	1	0805151	BELL CRANK

Section VI - PARTS (cont'd)

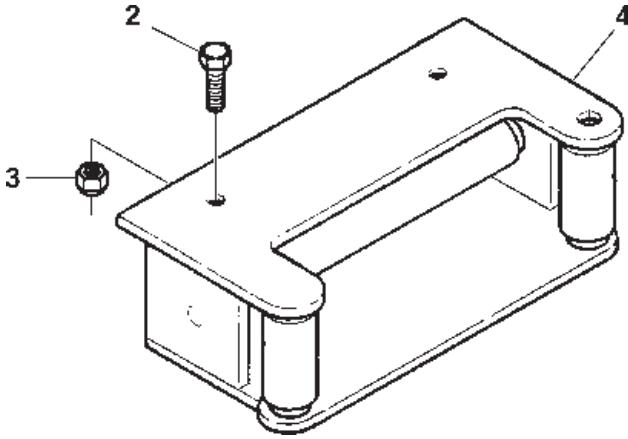
CABLE TENSIONER ASSEMBLY (STANDARD 4-TON WINCH)



REF. NO.	NO. REQ'D	PART NUMBER	DESCRIPTION
1	2	0301729	TENSIONING SPRING
2	2	0400126	SCREW, 3/8"-16 x 1" HEX HD CAP
3	2	0400130	SCREW, 3/8"-16 x 3-1/2" HEX HD CAP
4	2	0400480	WASHER, 3/8" FLAT
5	4	0400392	NUT, 3/8"-16 HEX NYLOK
6	2	0400554	ROLL PIN, 3/8" x 1"
7	1	0800908	TENSIONING PLATE
8	1	0800909	CABLE TENSIONER BRACKET
	1	124001329	CABLE TENSIONER ASSEMBLY

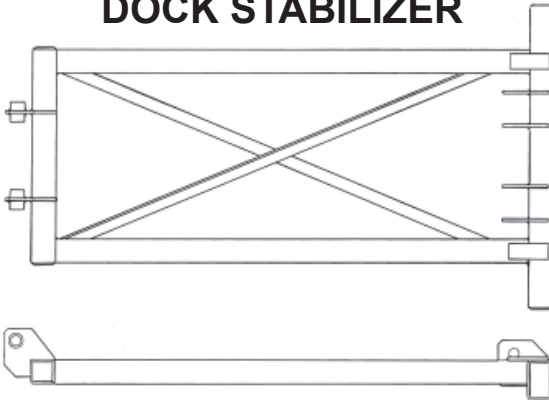
Section VI - PARTS (cont'd)

CABLE ROLLER ASSEMBLY



REF. NO.	NO. REQ'D	PART NUMBER	DESCRIPTION
1	--	0900892	CABLE ROLLER ASSEMBLY
2	2	0400177	SCREW, 1/2"-13 x 1-1/4" HEX HD
3	2	0400408	NUT, 1/2"-13 NYLOK
4	1	0805037	CABLE ROLLER GUIDE WELDMENT

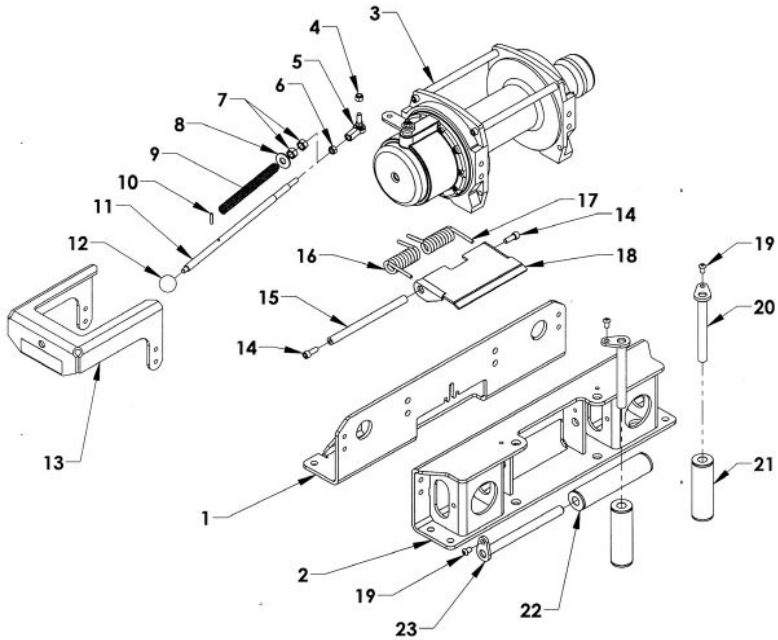
DOCK STABILIZER



REF. NO.	PART NUMBER	DESCRIPTION
1	0805273	DOCK STABILIZER WELDMENT

Section VI - PARTS (cont'd)

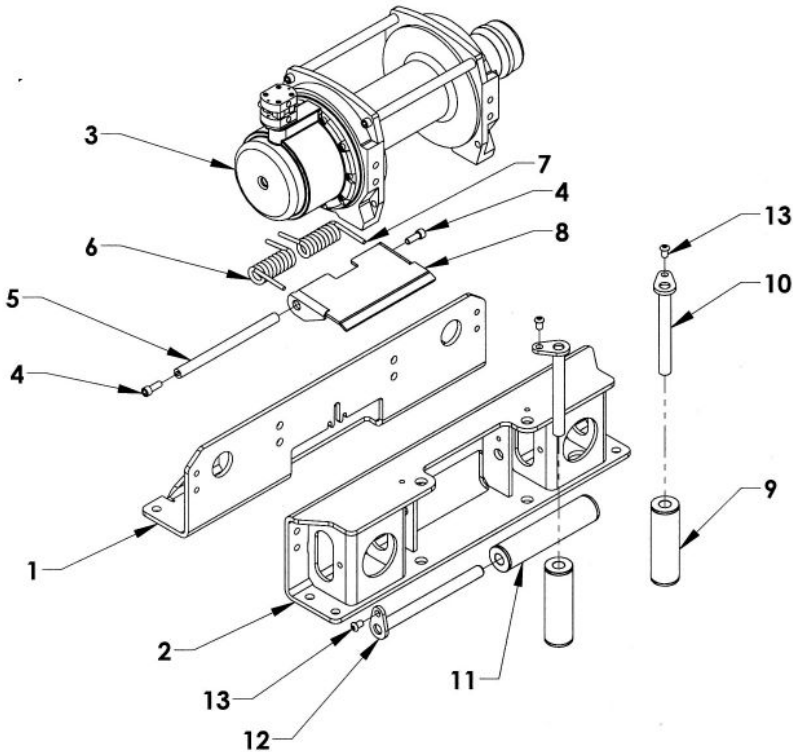
WARN WINCH - MANUAL FREE SPOOL



REF. NO.	NO. REQ'D	PART NUMBER	DESCRIPTION
1	1	0809644	MTG FRAME WELDMENT - FRONT
2	1	0809639	MTG FRAME WLDMNT - ROLLER GUIDE REAR
3	1	0308936-0908AM	WINCH 9K, 8 IN. DRUM MANUAL SHIFT
	1	0308936-1208AM	WINCH 12K, 8 IN. DRUM MANUAL SHIFT
4	1		NYLON LOCK NUT 3/8-16 UNC
5	1	718732	ROD END BEARING
6	1		HEX NUT 3/8-16 UNC
7	2		HEX NUT 1/2-13 UNC
8	1		FLAT WASHER 1/2
9	1	71875	WINCH SPRING
10	1		SPLIT PIN 3/16 x 1
11	1	71873	WINCH CLUTCH ROD
12	1	718731	WINCH CLUTCH ROD KNOB
13	1	0751267	WINCH - MANUAL FREE SPOOL BRACKET
14	2		BOLT, SHCS 3/8-16 UNC x 1
15	1	0751337	TENSION PLATE PIVOT ROD
16	1	71W73827	TENSION SPRING
17	1	71W73826	TENSION SPRING
18	1	0751268	TENSION PLATE
19	3		BOLT, BHCS 3/8-16 UNC x 5/8
20	2	0809641	ROLLER GUIDE KEEPER PIN
21	2	0809640	ROLLER GUIDE BUSHING 1.75 x 7.875
22	1	A9R281	ROLLER GUIDE BUSHING 1.75 x 5.625
23	1	A902095	ROLLER GUIDE KEEPER PIN

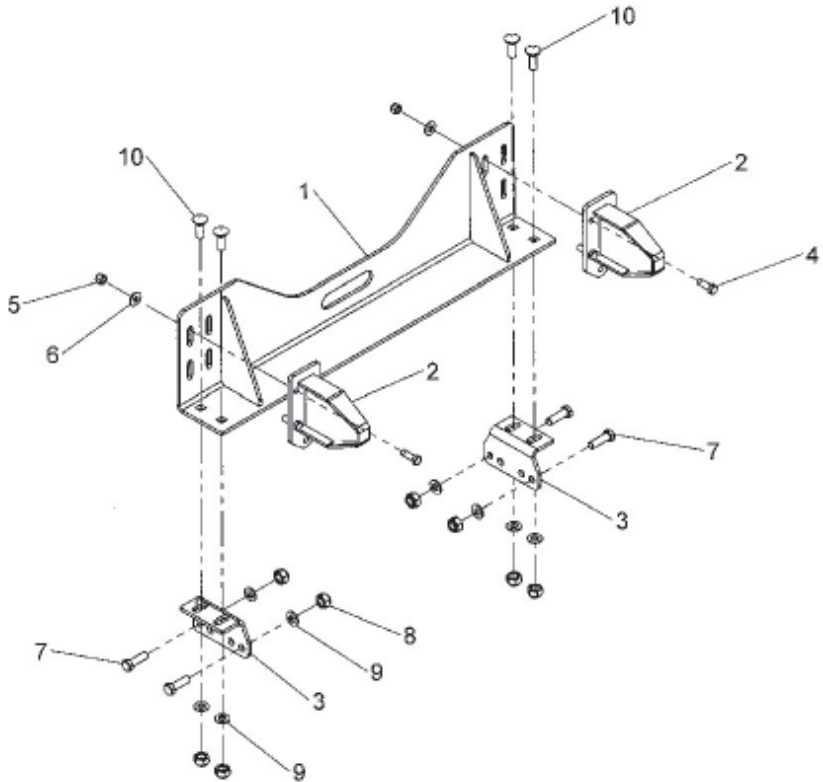
Section VI - PARTS (cont'd)

WARN WINCH - AIR FREE SPOOL



REF. NO.	NO. REQ'D	PART NUMBER	DESCRIPTION
1	1	0809644	MTG FRAME WELDMENT - FRONT
2	1	0809639	MTG FRAME WLDMNT - ROLLER GUIDE REAR
3	1	0308936-0908AA	WARN WINCH, 9K, 8 IN. DRUM, AIR SHIFT
	1	0308936-1208AA	WARN WINCH - 12K, 8 IN. DRUM, AIR SHIFT
4	1	-	BOLT, SHCS 3/8-16 UNC x 1
5	1	0751337	WARN TENSION PLATE PIVOT ROD
6	1	71W73827	WARN TENSION SPRING
7	2	71W73826	WARN TENSION SPRING
8	1	0751268	WARN TENSION PLATE
9	1	0809640	ROLLER GUIDE BUSHING 1.75 x 7.875
10	1	0809641	ROLLER GUIDE KEEPER PIN
11	1	A9R281	ROLLER GUIDE BUSHING 1.75 x 5.625
12	1	A902095	ROLLER GUIDE KEEPER PIN
13	1	-	BOLT, BHCS 3/8-16 UNC x 5/8

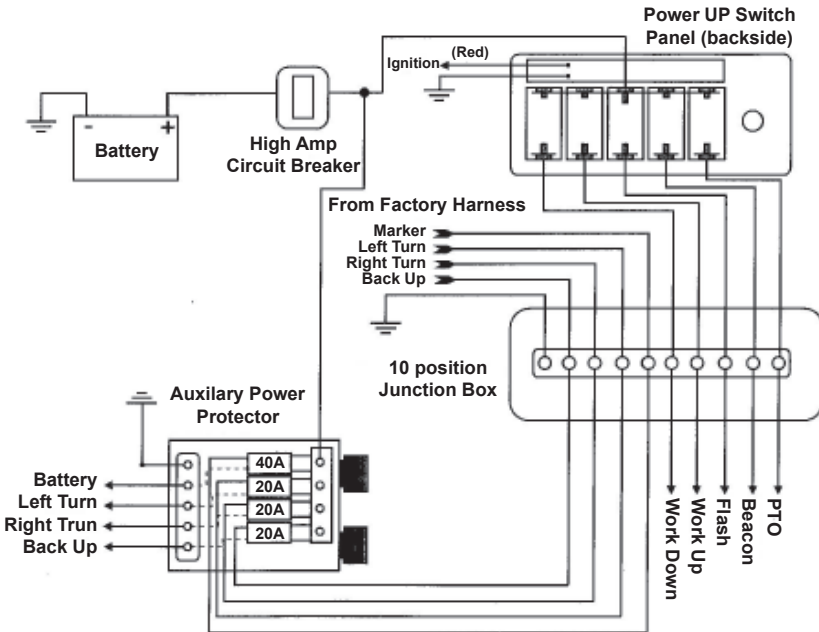
Section VI - PARTS (cont'd) BED LOCK ASSEMBLY



REF. NO.	NO. REQ'D	PART NUMBER	DESCRIPTION
1	1	0809181	BED LOCK WELDMENT
2	2	0809182	BED LOCK HOLD-DOWN
3	2	0809183	MOUNTING BRACKET
4	8	0400181	BOLT, 1/2-13 x 1-1/2 HHCS ZP GRADE 5
5	8	0400408	NYLON LOCK NUT, 1/2-13 ZP
6	8	0403040	FLAT WASHER, 1/2 ZP
7	4	0400260	BOLT, HHCS 5/8-11 x 2 ZP GRADE 5
8	8	0400421	NUT, 5/8-11 NYLON LOCK ZP
9	8	0400505	FLAT WASHER 5/8 ZP
10	4	0403068	CARRIAGE BOLT 5/8-11 x 1-3/4 ZP GRADE 5
	1	0905078	BED LOCK ASSEMBLY

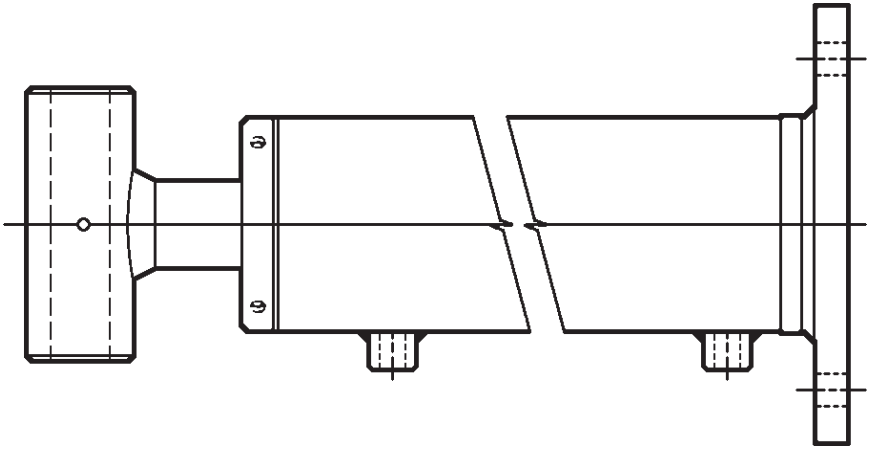
Section VI - PARTS (cont'd)

OPTIONAL DASHBOARD PANEL

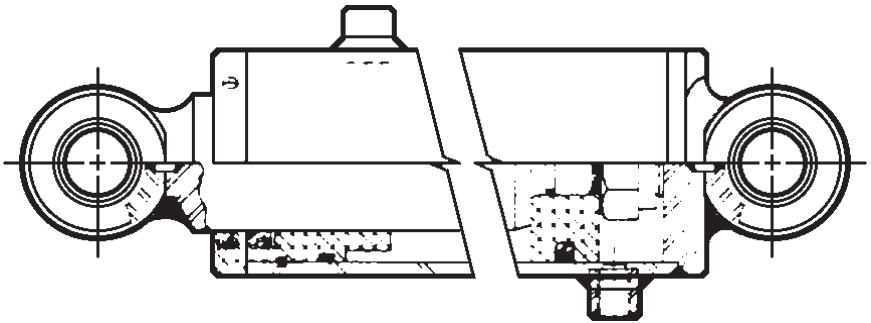


Section VI - PARTS (cont'd)

HYDRAULIC CYLINDERS



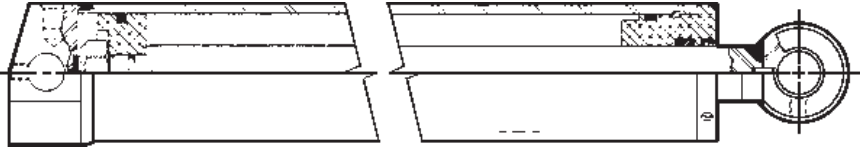
REF. NO.	NO. REQ'D	PART NUMBER	DESCRIPTION
1	1	0301970	CYLINDER, BED EXTEND
2	--	0308385	SEAL KIT, BED EXTEND



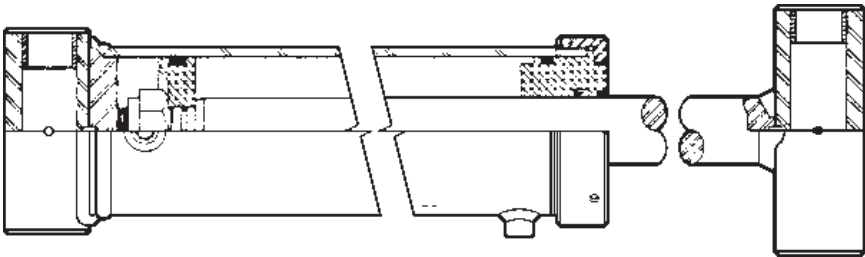
REF. NO.	NO. REQ'D	PART NUMBER	DESCRIPTION
1	2	0302867	CYLINDER, BED TILT
2	--	0308385	SEAL KIT, BED TILT

Section VI - PARTS (cont'd)

HYDRAULIC CYLINDERS



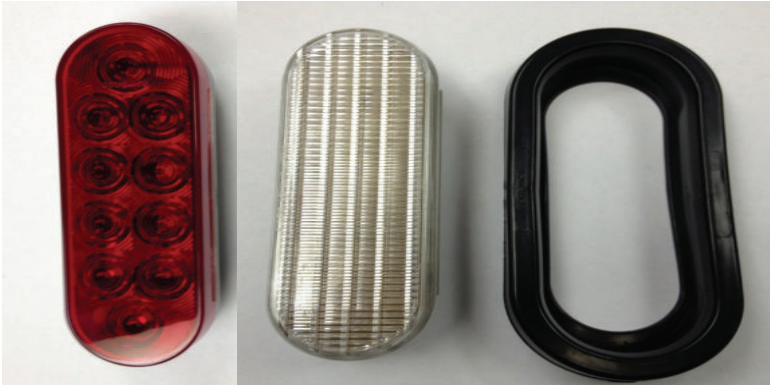
REF. NO.	NO. REQ'D	PART NUMBER	DESCRIPTION
1	1	0302178	CYLINDER, WHEEL LIFT EXTEND
2	--	0308388	SEAL KIT, WHEEL LIFT EXTEND



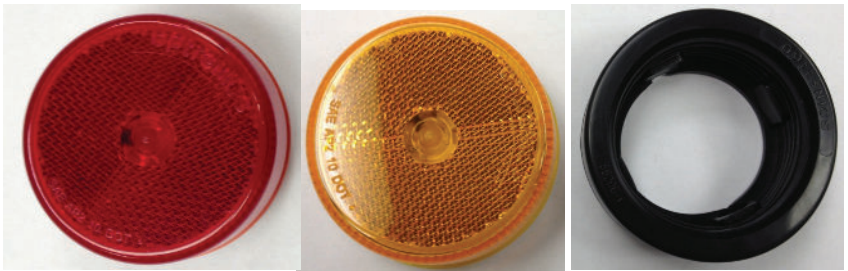
REF. NO.	NO. REQ'D	PART NUMBER	DESCRIPTION
1	1	0308372	CYLINDER, WHEEL LIFT UP/DOWN
2	--	0308389	SEAL KIT, WHEEL LIFT UP/DOWN

Section VI - PARTS

LIGHT KIT



REF. NO.	PART NUMBER	DESCRIPTION
1	0311498	LIGHT 6" OVAL RED LED - STOP/TURN
2	0311500	LIGHT 6" OVAL REVERSE LED
3	3011503	LIGHT 6" GROMMET



REF. NO.	PART NUMBER	DESCRIPTION
1	0311512	LIGHT 2.5" RED REFLEX LED (MCL59RB)
2	0311513	LIGHT 2.5" AMBER REFLEX LED (MCL59AB)
3	0311516	LIGHT 2.5" GROMMET

Section VI - PARTS

LIGHT KIT



REF. NO.	PART NUMBER	DESCRIPTION
1	0311514	LIGHT 2.5" ROUND CLEAR/RED LED MARKER LIGHT
2	0311515	LIGHT 2.5" ROUND CLEAR/AMBER LED MARKER LIGHT
3	3011516	LIGHT 2.5" GROMMET



REF. NO.	PART NUMBER	DESCRIPTION
1	0311527	RECTANGULAR LED CONTROL STATION LIGHT

Section VI - PARTS

LIGHT KIT



REF. NO.	PART NUMBER	DESCRIPTION
1	0311519	RED 3/4 LED ICC LIGHT



REF. NO.	PART NUMBER	DESCRIPTION
1	0311520	RED 3/4 LED LIGHT

Section VI - PARTS

LIGHT KIT



REF. NO.	PART NUMBER	DESCRIPTION
1	0311521	AMBER 3/4 ROUND LED LIGHT



REF. NO.	PART NUMBER	DESCRIPTION
1	0311522	CLEAR/RED 3/4 ROUND LED LIGHT



REF. NO.	PART NUMBER	DESCRIPTION
1	0311523	CLEAR/AMBER 3/4 ROUND LED LIGHT

Section VI - PARTS

LIGHT KIT



REF. NO.	PART NUMBER	DESCRIPTION
1	0308359	MARKER LIGHT RED REFLEX LED



REF. NO.	PART NUMBER	DESCRIPTION
1	0308360	MARKER LIGHT AMBER REFLEX LED

Section VI - PARTS

LIGHT KIT



REF. NO.	PART NUMBER	DESCRIPTION
1	0308969R	MARKER LIGHT RED REFLEX LED



REF. NO.	PART NUMBER	DESCRIPTION
1	0308969A	MARKER LIGHT AMBER REFLEX LED

Section VI - PARTS

LIGHT KIT



REF. NO.	PART NUMBER	DESCRIPTION
1	074027041ACL	MILLENIUM MARKER LIGHT CLEAR/AMBER



REF. NO.	PART NUMBER	DESCRIPTION
1	174027041RCL	MELLIENUM MARKER LIGHT CLEAR/RED

Section VI - PARTS

LIGHT KIT



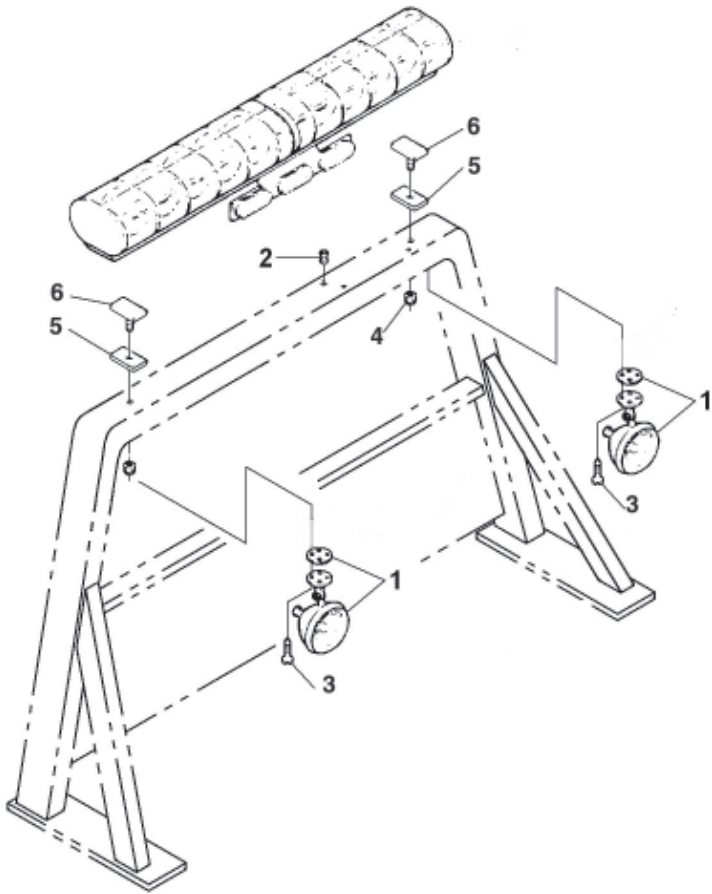
REF. NO.	PART NUMBER	DESCRIPTION
1	0308491	REFLECTOR - AMBER



REF. NO.	PART NUMBER	DESCRIPTION
1	0308490	REFLECTOR - RED

Section VI - PARTS (cont'd)

OPTIONAL LIGHTING ACCESSORIES

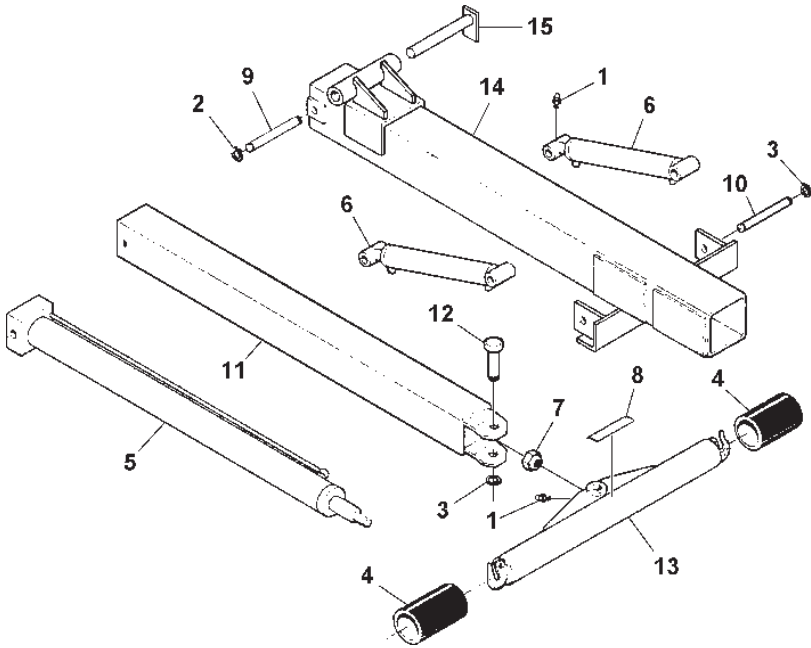


REF. NO.	NO. REQ'D	PART NUMBER	DESCRIPTION
1	2	124001001	SPOT LIGHT W/GASKET
2	2	0300897	GROMMET, RUBBER
3	8	0400043	#10-24 x 1" MACHINE SCREW
4	2	0400392	NUT, 3/8"-16 HEX NYLOK
5	2	0709872	RUBBER CUSHION
6	2	0801777	"T" BOLT ADAPTER

Section VI - PARTS (cont'd)

OPTIONAL EQUIPMENT

INDEPENDENT TOWBAR ASSEMBLY



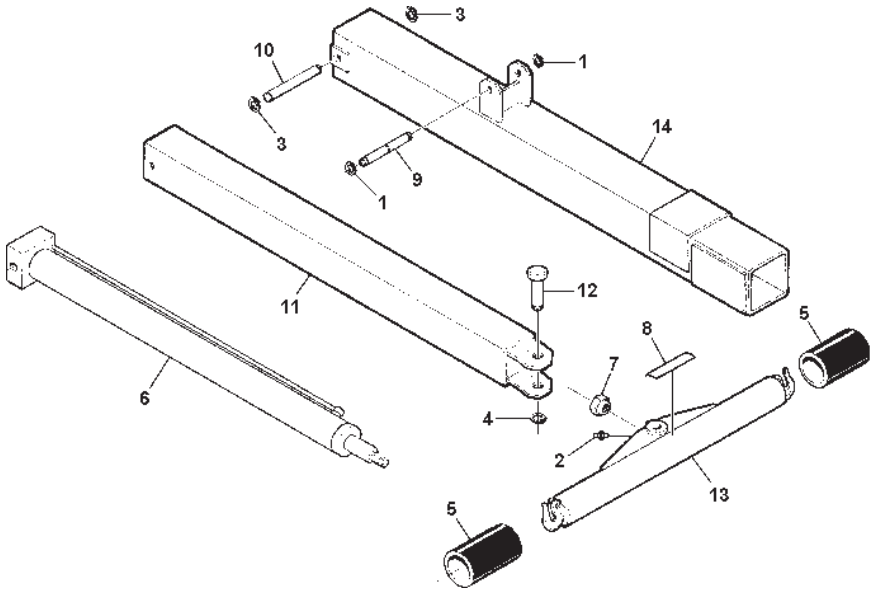
REF. NO.	NO. REQ'D	PART NUMBER	DESCRIPTION
		*	INDEPENDENT TOW BAR ASSEMBLY (COMP.)
1	3	0300113	GREASE FITTING
2	2	0301381	SNAP RING, 3/4"
3	5	0301642	SNAP RING, 1-1/4"
4	2	0301723	GUARD, TOW BAR BUMPER
5	1	0301798	CYLINDER, TOW BAR EXTEND
6	2	0302368	CYLINDER, TOW BAR
7	1	0400436	NUT
8	1	0500241	DECAL, SAFETY CHAIN WARNING
9	1	0702418	SHAFT, EXTEND CYLINDER
10	2	0702434	PIN, CYLINDER
11	1	0800777	TUBE, TOW BAR INNER
12	1	0800784	PIN, TOW BAR PIVOT
13	1	0800924	CROSSTUBE, TOW BAR
14	1	0805030	SHAFT, TOW BAR PIVOT, PIN WITH KEEPER
15	1	0805150	TUBE, TOW BAR OUTER

* CONTACT DISTRIBUTOR FOR ADDITIONAL INFORMATION

Section VI - PARTS (cont'd)

OPTIONAL EQUIPMENT

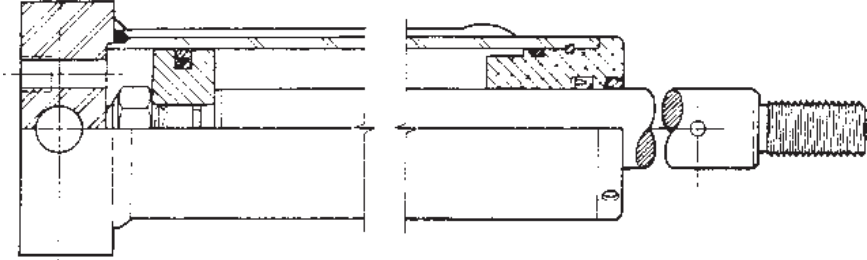
FIXED TOWBAR ASSEMBLY



REF. NO.	NO. REQ'D	PART NUMBER	DESCRIPTION
		*	FIXED TOW BAR ASSEMBLY (COMPLETE)
1	2	0300110	SNAP RING, 1"
2	1	0300113	GREASE FITTING
3	2	0301381	SNAP RING, 3/4"
4	1	0301642	SNAP RING, 1-1/4"
5	2	0301723	GUARD, TOW BAR BUMPER
6	1	0301798	CYLINDER, TOW BAR EXTEND
7	1	0400436	NUT
8	1	0500241	DECAL, SAFETY CHAIN WARNING
9	1	0700058	SHAFT, TOW BAR PIVOT
		0702418	SHAFT, EXTEND CYLINDER
11	1	0800777	TUBE, TOW BAR INNER
12	1	0800784	PIN, TOW BAR PIVOT
13	1	0800924	CROSSTUBE, TOW BAR
14	1	0801403	TUBE, TOW BAR OUTER

* CONTACT DISTRIBUTOR FOR ADDITIONAL INFORMATION

Section VI - PARTS (cont'd)
OPTIONAL EQUIPMENT
TOWBAR CYLINDER

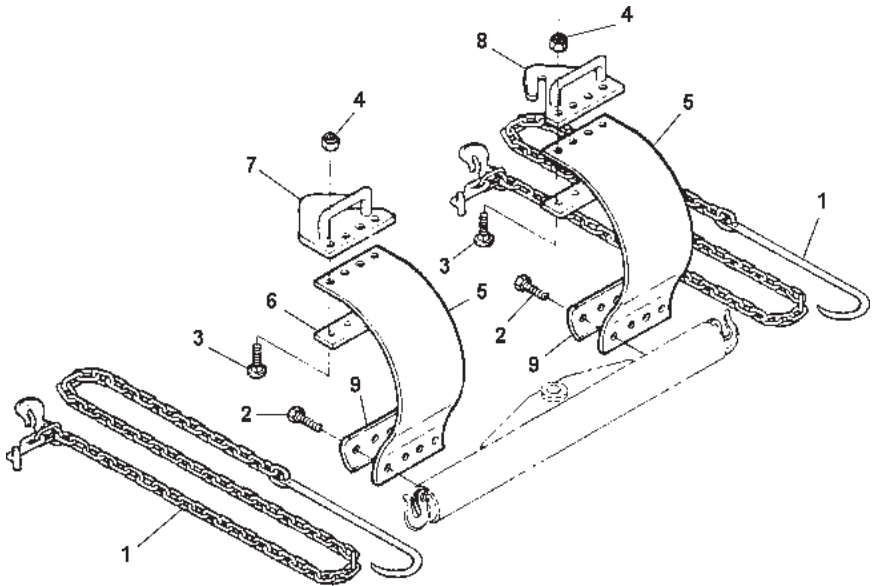


REF. NO.	NO. REQ'D	PART NUMBER	DESCRIPTION
1	1	0301798	CYLINDER, TOWBAR (COMPLETE)
2	--	0308386	SEAL KIT, TOWBAR CYLINDER

Section VI - PARTS (cont'd)

OPTIONAL EQUIPMENT

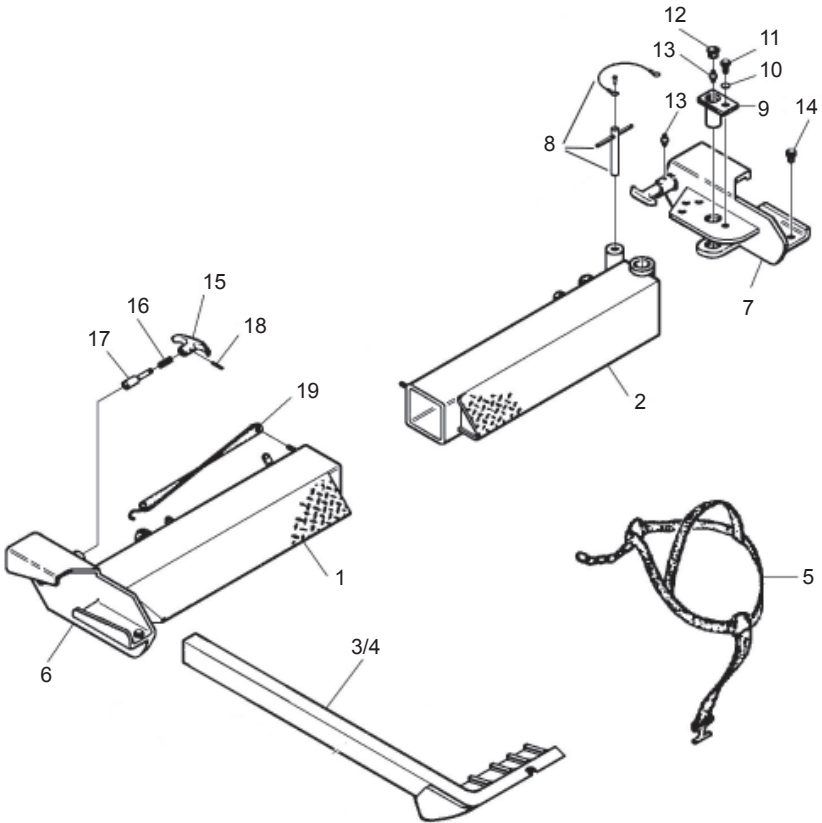
TOWING SLING



REF. NO.	NO. REQ'D	PART NUMBER	DESCRIPTION
1	2	0300176	"J" HOOK ASSEMBLY
2	8	0400105	SCREW, 5/16"-18 x 1-1/4" SELF-TAPPING
3	8	0400156	CARRIAGE BOLT, 3/8"-16 x 1-1/4"
4	8	0400392	NUT, 3/8"-16 HEX NYLOK
5	2	0701919	TOW SLING BELT
6	2	0701920	GRIP PLATE
7	1	0800608	CHAIN KEEPER, LEFT
8	1	0800609	CHAIN KEEPER, RIGHT
9	2	0800873	BELT RETAINER

Section VI - PARTS (cont'd)

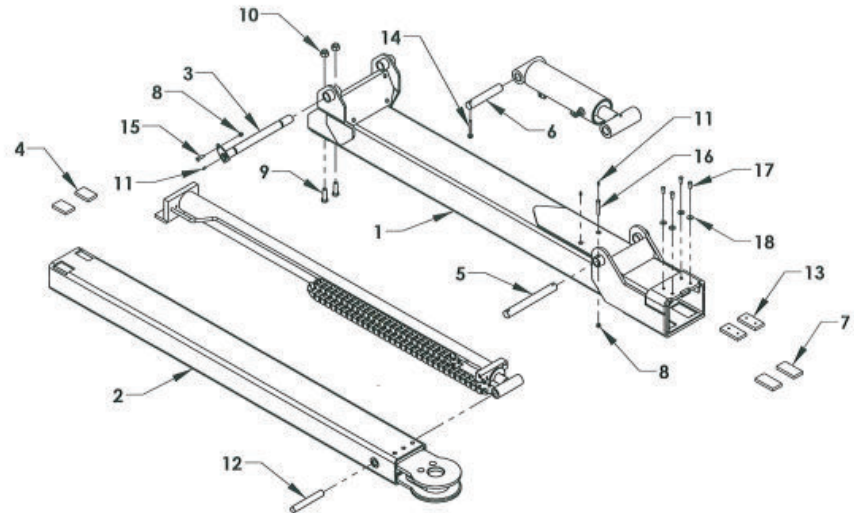
OPTIONAL OUTER CROSSTUBE & 3-WAY PIVOT TIRE RESTRAINT ASSEMBLY



Section VI - PARTS (cont'd) OPTIONAL OUTER CROSSTUBE & 3-WAY PIVOT TIRE RESTRAINT ASSEMBLY

REF. NO.	NO. REQ'D	PART NUMBER	DESCRIPTION
1	1	0909499L	OUTER XTUBE ASSY. LH(PIVOT) (COMPLETE)
2	1	0909499R	OUTER XTUBE ASSY. RH(PIVOT) (COMPLETE)
3	1	0803648	RESTRAINT TIRE, LH (PIVOT)
4	1	0803649	RESTRAINT TIRE, RH (PIVOT)
5	2	0902382	NYLON POLY-COAT STRAP (PIVOT)
6	1	0719079	END PL, LH (CSTG) PIVOT
7	1	0719080	END PL, RH (CSTG) PIVOT
8	2	0904744	PIN ASSEMBLY
9	2	0802187	PIN, PIVOT
10	2	0400483	3/8" INTERNAL TOOTH L/W Z
11	2	0400349	3/8-16 x 3/4" FLAT HD. CAP SCREW
12	2	0302640	PLUG, DRY-OUT HOLE
13	4	0300113	GREASE FITTING STRAIGHT
14	2	0712933	ALIGNMENT PIN
15	2	0302648	T HANDLE (ALUMINUM) ANGLE STYLE
16	2	0302641	SPRING, PIVOT
17	2	0707505	PIN, PLUNGER
18	2	0400560	5/32 x 1" TENSION PIN Z
19	2	0301956	TARP STRAP
-	2	0805022C	L-ARM STORAGE TUBE (BLACK) - NOT SHOWN
-	2	0809148C	L-ARM STORAGE TUBE (GALV) - NOT SHOWN

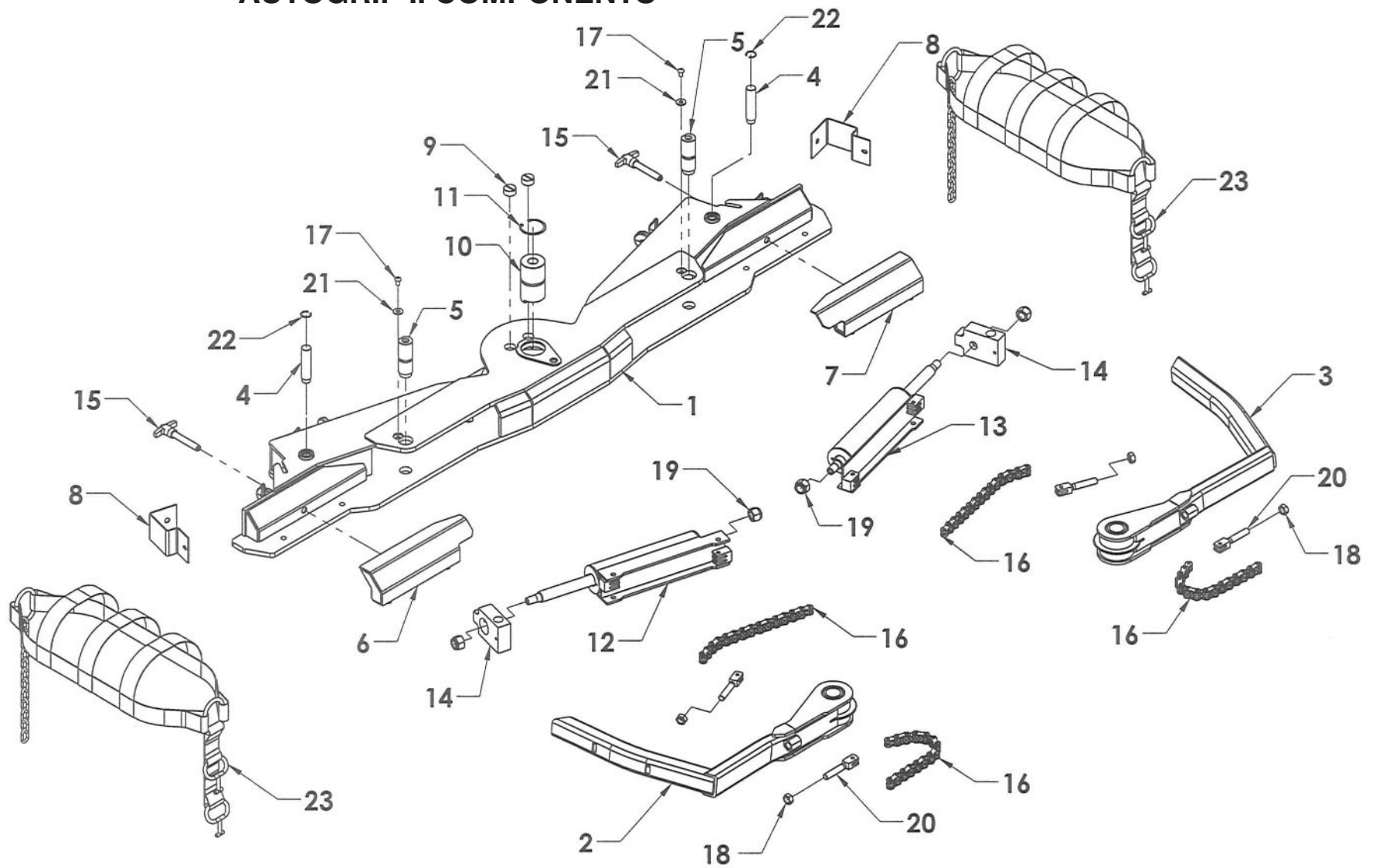
Section V I- PARTS (cont'd) AUTOGRIP COMPONENTS



REF NO.	NO REQ'D	PART NUMBER	DESCRIPTION
1	1	0809187	OUTER BOOM WELDMENT
2	1	0809186	INNER BOOM WELDMENT
3	1	0809411	WHEEL LIFT HINGE PIN
4	2	65612	BEARING PAD, NYLATRON
5	1	0750523	LOWER LIFT CYLINDER PIN (W/L)
6	1	0750562	UPPER LIFT CYLINDER PIN (W/L)
7	2	63595	BEARING PAD, NYLATRON
8	2	0400392	NUT, 3/8"-16 HEX NYLOK
9	2	0400274	5/8-11" x 2" HEX HD BOLT
10	2	0400421	NUT, 5/8-11" HEX NYLOCK
11	3	0300113	GREASE FITTING, STRAIGHT
12	1	72940	EXTEND CYLINDER MTG. PIN, 0.980" x 6-11/16"
13	2	63595H	BEARING PAD, NYLATRON
14	1	85680	ROD END KEEPER PIN
15	1	0400148	SCREW, 3/8"-16 x 1-1/4" HEX HD CAP
16	1	0400150	SCREW, 3/8"-16 x 2-1/2" HEX HD CAP
17	4	812A9	3/8" x 1 ROUND HEAD BOLT
18	4	0721632	3/8" FLAT WASHER

Section VI - PARTS (cont'd)

AUTOGRIP II COMPONENTS



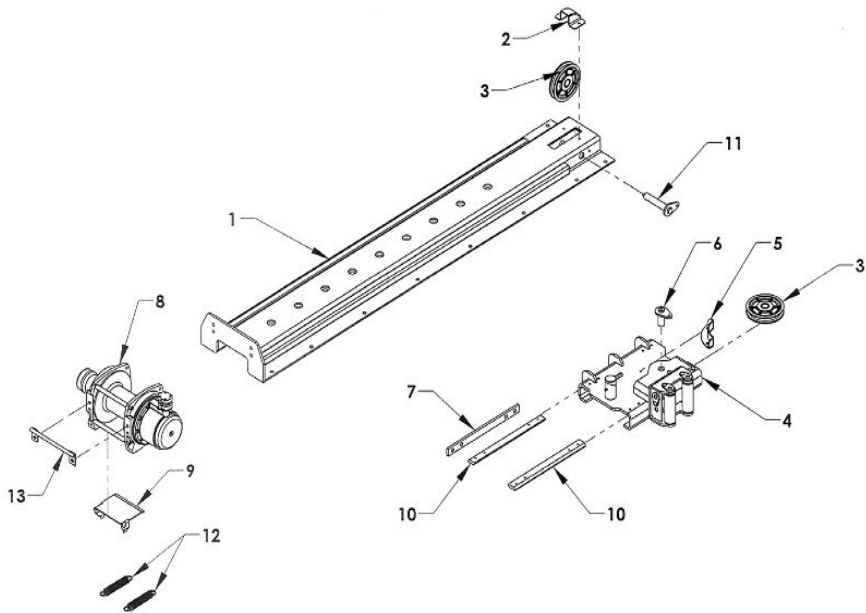
Section VI - PARTS (cont'd)

AUTOGRIP II COMPONENTS

REF NO.	NO REQ'D	PART NUMBER	DESCRIPTION
1	1	644002	CROSSBAR WELDMENT
2	1	644352CL	WHEEL RETAINER - LEFT
3	1	644352CR	WHEEL RETAINER - RIGHT
4	2	644432	WHEEL RETAINER CYLINDER PIN
5	2	644452	ARM PIVOT PIN
6	1	697402L	WHEEL SPACER - LEFT
7	1	697402R	WHEEL SPACER - RIGHT
8	2	644292	HOSE GUARD
9	2	64327	SCREW-PLUG CROSSBAR DETENT
10	1	644402	CROSSBAR PIN
11	1	862501	SNAP RING 2.500 INCH INTERNAL
12	1	720152L	WHEEL RETAINER CYLINDER - LEFT
13	1	720152R	WHEEL RETAINER CYLINDER - RIGHT
14	2	727162	L-ARM CYLINDER END BLOCK
15	2	84291	T-PIN 5/8 x 3
16	4	87440	AUTOGRIP ARM CHAIN
	4	81127	5/16 x 1-1/4 SHOULDER SHCS 1/4-20 UNC
	4	83105	1/4-20 UNC NYLON LOCK NUT
17	2	812A5	3/8 ALLEN BOLT
18	4	83411	5/8 NYLON LOCK NUT
19	2	83520	3/4 NYLON LOCK NUT
20	4	64441	CHAIN CLEVIS
	4	81126	5/16 x 1 SHOULDER SHCS 1/4-20 UNC
	4	83105	1/4-20 UNC NYLON LOCK NUT
21	2	82110	5/16 FLAT WASHER
22	2	86100I	SNAP-RING 1.000 INCH INTERNAL
23	2	65286	BASKET TIRE STRAP - AUTO
	2	66287	BASKET TIRE STRAP - TRUCK

Section VI - PARTS (cont'd)

MANUAL SLIDEWINDER



REF. NO.	NO. REQ'D	PART NUMBER	DESCRIPTION
1	1	315214	SLIDE TRACK - LONG
2	1	315225	CABLE GUIDED
3	2	69125	6 x 1 PULLEY
4	1	315310	SLIDE CARRIAGE
5	1	315325	CABLE GUIDE
6	1	315330	PULLEY PIN
7	1	315323	FRONT SLIDE PAD
8	1	711096	SERIES 9 WINCH - 6.5 INCH DRUM
	1	711126	SERIES 12 WINCH - 6.5 INCH DRUM
9	1	A90065	CABLE TENSIONER PLATE
10	2	315320	SLIDE PAD
11	1	315230	PULLEY PIN
12	2	A90185	CABLE TENSIONER SPRING
13	1	7189065	AIR LINE TRANSFER BRACKET