

CENTURY®

LEGENDARY LEADERSHIP



OWNER'S MANUAL

MIDNIGHT EXPRESS

INSTALLATION, OPERATION, MAINTENANCE & PARTS

NOTE: MANUAL including SPECIFICATIONS, subject to change without notice
All ratings specified are based on structural factors only,
not vehicle capacities or capabilities.

CENTURY®

Miller Industries Towing Equipment Inc.
8503 Hilltop Drive
Ooltewah, Tennessee 37363

FORM NO. 0501076
07 / 00

Phone (423) 238-4171 • FAX (423) 238-5371

PRICE \$25.00

LIMITED WARRANTY

MILLER INDUSTRIES TOWING EQUIPMENT INC., hereinafter referred to as MILLER, warrants to the original purchaser that each new MILLER wrecker or other MILLER products will be free from defects in material and workmanship for a period of twelve (12) months from date placed in service, but in no event shall such warranty period exceed twenty-four (24) months from date of manufacture by MILLER. The purchaser must promptly notify MILLER in writing of any failure in material or workmanship. In no event shall MILLER accept such notification later than twenty-four (24) months from date of delivery or twelve (12) months from date placed in service, whichever is earlier.

MILLER's obligation under this warranty, statutory or otherwise, is limited to the repair or replacement at the MILLER factory, or at a point designated by MILLER, of such part or parts as shall appear upon inspection by MILLER to be defective in material or workmanship. New or remanufactured parts will be used for any replacement at MILLER's option. This warranty is not transferable. This warranty does not obligate MILLER to bear the cost of labor or transportation charges in connection with the repair or replacement of any parts found to be defective, nor shall it apply to a product upon which repairs or alterations have been made unless authorized by MILLER.

EXCEPT AS EXPRESSLY SET FORTH IN THIS WARRANTY, MILLER MAKES NO OTHER WARRANTY, EXPRESS OR IMPLIED, AND HEREBY DISCLAIMS ALL OTHER WARRANTIES INCLUDING, BUT NOT LIMITED TO, THE IMPLIED WARRANTIES OF MERCHANTABILITY AND FITNESS FOR A PARTICULAR PURPOSE. MILLER shall in no event be liable for claimed downtime, claimed loss of profits or goodwill, or any other special, incidental, indirect, or consequential damages concerning or relating to any product or parts, whether based on negligence, strict liability, breach of contract, breach of warranty, misrepresentation or any other legal theory, regardless of whether the loss resulted from any general or particular requirement which MILLER knew or had reason to know about at the time of sale.

MILLER MAKES NO WARRANTY, EXPRESS OR IMPLIED, AS TO THE FINISHED PRODUCTS MANUFACTURED OR SUPPLIED BY ANOTHER MANUFACTURER AND SUPPLIED BY MILLER TO PURCHASER, including, but not limited to, any vehicle to which a MILLER product may be affixed or any accessories or wire rope, and MILLER EXPRESSLY DISCLAIMS ANY IMPLIED WARRANTIES OF MERCHANTABILITY OR FITNESS FOR A PARTICULAR PURPOSE AS TO SUCH EQUIPMENT OR PRODUCTS. This language shall in no way affect or diminish the rights of the purchaser to rely on such warranties as are extended by such manufacturers or suppliers. MILLER shall, to the extent permitted under applicable law, pass on to the purchaser such manufacturer's or seller's warranty.

MILLER, whose policy is one of continuous improvement, reserves the right to improve its products through changes in design or materials as it may deem desirable without being obligated to incorporate such changes in products previously sold. This warranty is not intended to cover or include the following items, which are set forth by way of example and not limitation:

- A. Normal deterioration of trim, paint, lettering, and appearance items due to wear or exposure to weather, road conditions, road treatments, etc.
- B. Any damage or defect due to accident, misuse, abuse, improper or unauthorized repairs, failure to provide reasonable and necessary maintenance, or uses for which the equipment was not designed or intended.
- C. Alterations or modifications that affect performance, operation or reliability.
- D. Normal maintenance parts including, but not limited to, wear pads, bushings, wire rope, mud flaps, fenderettes, light bulbs, hydraulic oil, filters, and tow sling belts.

IT IS EXPRESSLY UNDERSTOOD THAT MILLER MAKES NO IMPLIED WARRANTY THAT MILLER PRODUCTS SHALL BE FIT FOR THE PURPOSE OF LIFTING OR MOVING PEOPLE OR FOR ANY OTHER IMPROPER USE.



Miller Industries Towing Equipment Inc.
8503 Hilltop Drive
Ooltewah, Tennessee 37363

Telephone (423) 238-4171

SERIAL NUMBER

Section VI - PARTS

This Section is provided by the manufacturer for the purpose of ordering any component part of the **CENTURY Midnight Express Wrecker** that may be required when part replacement is necessary. Be certain to use only original equipment replacement parts for warranty purposes as well as for keeping your **CENTURY Midnight Express Wrecker** in its original state and optimum operating capacities.

When ordering replacement or spare parts be sure to provide the following information to the manufacturer's **Parts Department**.

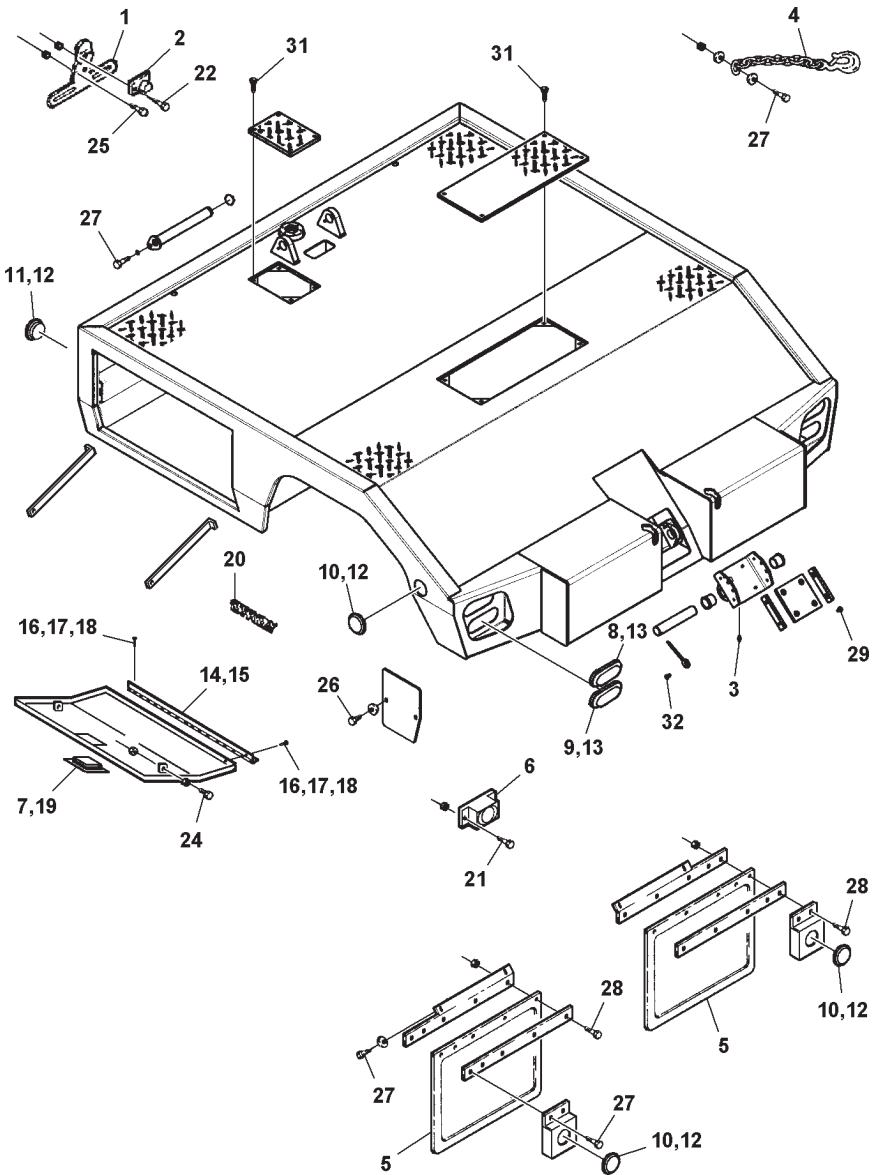
1. **Manual Number & Date of Publication**
2. **Manual Page Number**
3. **Page Title**
4. **Reference Number of Part Desired**
5. **Part Number**
6. **Part Description**
7. **Quantity of Part Desired**

Providing this information will help ensure that the correct parts will be delivered to you in an expedient manner without delay. Should additional information be required for repair or replacement of certain components, contact your Wrecker Manufacturer Authorized Representative.

The Manufacturer reserves the right, without notice or obligation, to improve or modify their products, which may change the specifications, models and feature availability.

Section VI - PARTS (cont'd)

BODY ASSEMBLY



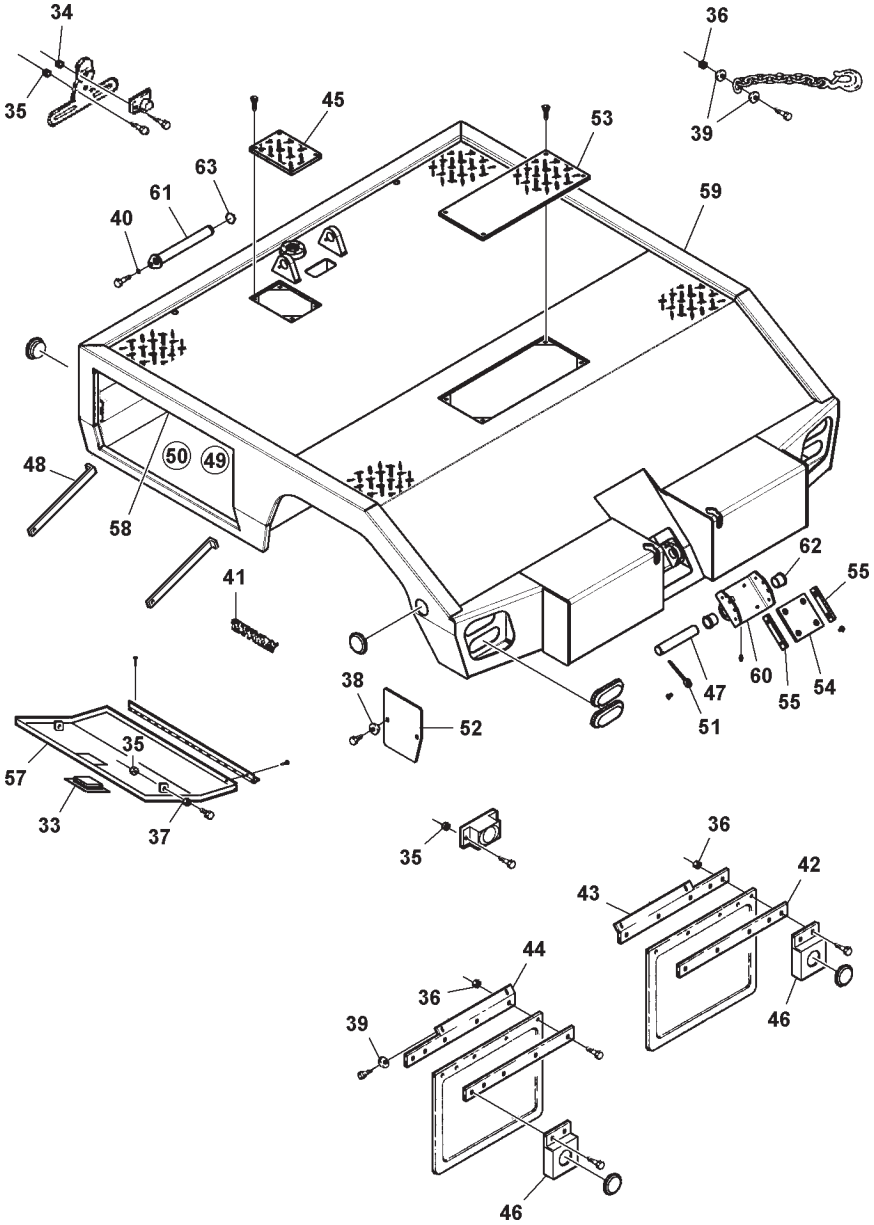
Section VI - PARTS (cont'd)

BODY ASSEMBLY

REF. NO.	NO. REQ'D	PART NUMBER	DESCRIPTION
1	1	0300076	LICENSE PLATE BRACKET
2	1	0300273	LICENSE PLATE ILLUMINATOR
3	1	0301895	GREASE FITTING, 1/8" STR
4	2	0301932	SAFETY CHAIN, 5/16" HT x 12"
5	2	0302173	MUD FLAP
6	1	0303061	BACK UP ALARM
7	1	0303120	PADDLE LATCH
8	2	0303123	LIGHT, RED STOP & TURN
9	2	0303124	LIGHT, CLEAR BACKUP
10	2	0303125	MARKER, SEALED RED
11	2	0303126	MARKER, SEALED AMBER
12	4	0303127	GROMMET, MARKER LIGHT
13	4	0303128	GROMMET, TAIL LIGHT
14	1	0303690	PIANO HINGE, 30"
15	62 IN.	0303966	WAXWRAP TAPE
16	16	0400003	SCREW, #8-32 X 3/4" FL PH MCH
17	16	0400004	NUT, #8-32 HEX NYLOK SS
18	16	0400011	WASHER, #8 FLAT SS
19	4	0400021	SCREW, #8-32 X 1/2" RD HD PH MCH SS
20	6	0400035	SCREW, #10-24 x 1/2" OVAL HD SELF TAP
21	2	0400057	SCREW, 1/4"-20 X 1-1/4" HEX HD CAP
22	2	0400061	SCREW, 1/4"-20 X 3/4" PAN HD
23	4	0400062	SCREW, 1/4"-20 X 3/4" THRD CUT
24	2	0400066	SCREW, 1/4"-20 X 3/4" HEX HD CAP
25	2	0400070	SCREW, 1/4"-20 X 1" HEX HD CAP
26	4	0400118	SCREW, 5/16"-18 X 3/4" HEX HD CAP
27	11	0400122	SCREW, 3/8"-16 X 1-1/4" HEX HD CAP
28	4	0400126	SCREW, 3/8"-16 X 1" HEX HD CAP
29	8	0400128	SCREW, 3/8"-16 X 1-1/4" FL HD SKT
30	2	0400132	SCREW, 3/8"-16 X 1-1/2" HEX HD CAP
31	8	0400233	SCREW, 5/16"-18 X 1/2" HEX HD CAP
32	1	0400349	SCREW, 3/8"-16 X 3/4" FL SKT HD

Section VI - PARTS (cont'd)

BODY ASSEMBLY (cont'd)



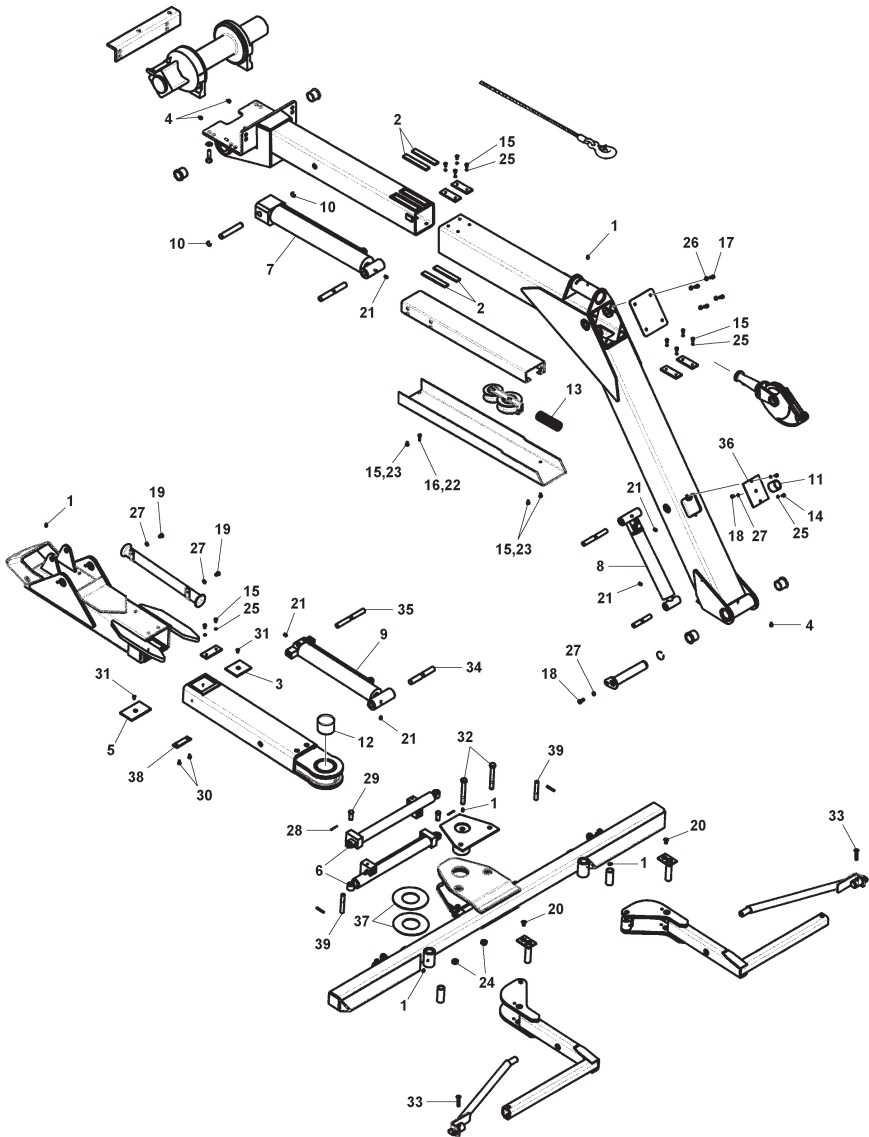
Section VI - PARTS (cont'd)

BODY ASSEMBLY (cont'd)

REF. NO.	NO. REQ'D	PART NUMBER	DESCRIPTION
33	4	0400351	NUT, #8-32 KEPS
34	2	0400366	NUT, 1/4"-20 HEX
35	6	0400367	NUT, 1/4"-20 HEX NYLOK
36	17	0400392	NUT, 3/8"-16 HEX NYLOK
37	4	0400451	WASHER, 1/4" FLAT
38	4	0400464	LOCKWASHER, 5/16" HELICAL
39	12	0400480	WASHER, 3/8" FLAT
40	1	0400482	LOCKWASHER, 3/8" HELICAL
41	2	0500406	CENTURY NAME PLATE
42	2	0705092	BAR, MUD FLAP
43	1	0708809	MUD FLAP MOUNTING ANGLE, RIGHT
44	1	0708810	MUD FLAP MOUNTING ANGLE, LEFT
45	1	0708931	ACCESS COVER
46	1	0710198	BRACKET, MARKER LIGHT
47	1	0712433	PIN, W/L PIVOT
48	2	0713003	RETAINER BAR
49	1	0713063	COVER, ELECTRICAL PANEL (NOT SHOWN)
50	1	0713124	TOOL BOX SHELF (NOT SHOWN)
51	1	0714951	RETAINER PIN, 3"
52	2	0715756	COVER, CHAIN BOX
53	1	0715817	PLATE, VALVE ACCESS
54	1	0715840	PAD, BOOM SLIDE ASSEMBLY
55	2	0715844	PAD, BOOM SLIDE ASSEMBLY (SIDE)
56	1	0716259	SPRING, RETURN (NOT SHOWN)
57	1	0803687	TOOL BOX DOOR WELDMENT
58	1	0804366	DOOR STRIKER WELDMENT (NOT SHOWN)
59	1	0804378	BODY WELDMENT, 60/86
60	1	0804386	SLIDE WELDMENT, TAILGATE PIVOT
61	1	0804387	PIN WELDMENT, BOOM PIVOT
62	2	9053713	FLANGE BEARING
63	1	9056150	RETAINING RING, 1-1/2"

Section VI - PARTS (cont'd)

BOOM ASSEMBLY



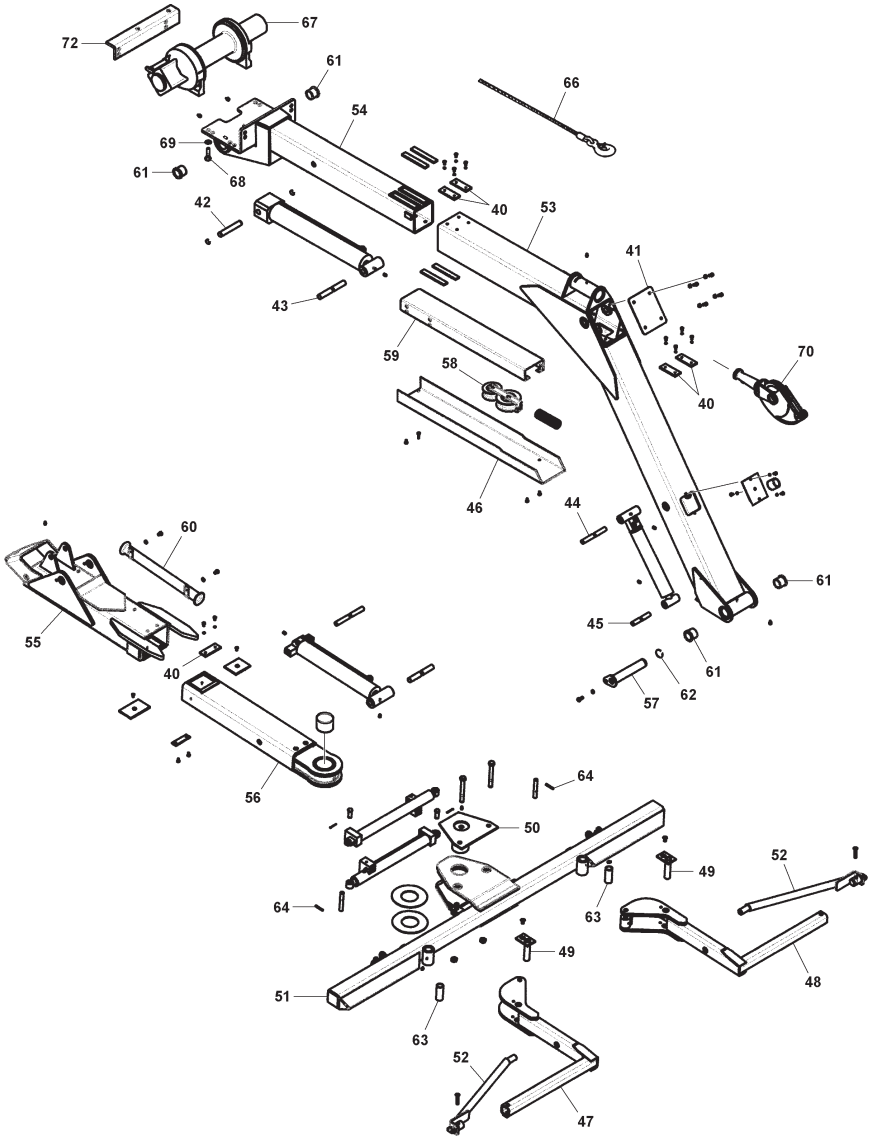
Section VI - PARTS (cont'd)

BOOM ASSEMBLY

REF. NO.	NO. REQ'D	PART NUMBER	DESCRIPTION
1	5	0300113	GREASE FITTING, 1/4"-28
2	4	0300679	BEARING PAD, BOOM
3	1	0301850	SLIDE PAD, NYLATRON
4	3	0301895	GREASE FITTING, 1/8"
5	1	0303018	SLIDE PAD, NYLATRON
6	2	0303844	CYLINDER, SWING L-ARM
7	1	0306658	CYLINDER, BOOM ELEVATION
8	1	0306659	CYLINDER, WHEEL LIFT FOLD
9	1	0306660	CYLINDER, WHEEL LIFT EXTEND
10	1	0306689	SNAP RING, 7/8" EXT
11	1	0306688	SPRING, TIMBREN 2-7/8"
12	1	0306748	BUSHING, ALUMINUM BRONZE
13	1	0306816	SPRING, HOSE TENSION
14	2	0400059	SCREW, 1/4"-20 X 5/8" HEX HD CAP
15	16	0400060	SCREW, 1/4"-20 X 1/2" HEX HD CAP
16	1	0400066	SCREW, 1/4"-20 X 3/4" HEX HD CAP
17	5	0400118	SCREW, 5/16"-18 X 3/4" HEX HD CAP
18	2	0400141	SCREW, 3/8"-16 X 7/8" HEX HD CAP
19	2	0400154	SCREW, 3/8"-16 X 1/2" HEX HD CAP
20	2	0400349	SCREW, 3/8"-16 X 3/4" FL SKT HD
21	5	0400353	SCREW, 3/8" X 1/2" ALLEN HD SET
22	1	0400367	NUT, 1/4"-20 HEX NYLOK
23	3	0400369	NUT, 1/4" "J" TINNEMAN
24	2	0400428	NUT, 5/8"-11 HEX FLEXLOC
25	12	0400452	LOCKWASHER, 1/4" HELICAL
26	5	0400464	LOCKWASHER, 5/16" HELICAL SS
27	3	0400482	LOCKWASHER, 3/8" HELICAL SS
28	2	0400546	COTTER PIN, 1/8" X 1-1/4"
29	2	0400590	CLEVIS PIN, 5/8" X 1-1/4"
30	2	0400593	SCREW, 1/4"-20 X 1/2" SKT FL HD
31	2	0400596	SCREW, 1/4"-20 X 1/2" SKT BUTTON HD
32	2	0400637	BOLT, PIVOT PIN
33	2	0701956	SCREW, 1/2"-13 X 1" HEX HD CAP
34	1	0702131	SHAFT, INNER TUBE CYLINDER
35	1	0703345	SHAFT, EXTEND CYLINDER
36	1	0708519	PLATE, COVER-BOOM UPPER
37	2	0710092	THRUST WASHER
38	1	0711334	STOP PAD
39	2	0713885	CYLINDER PIN, L-ARM END

Section VI - PARTS (cont'd)

BOOM ASSEMBLY (cont'd)



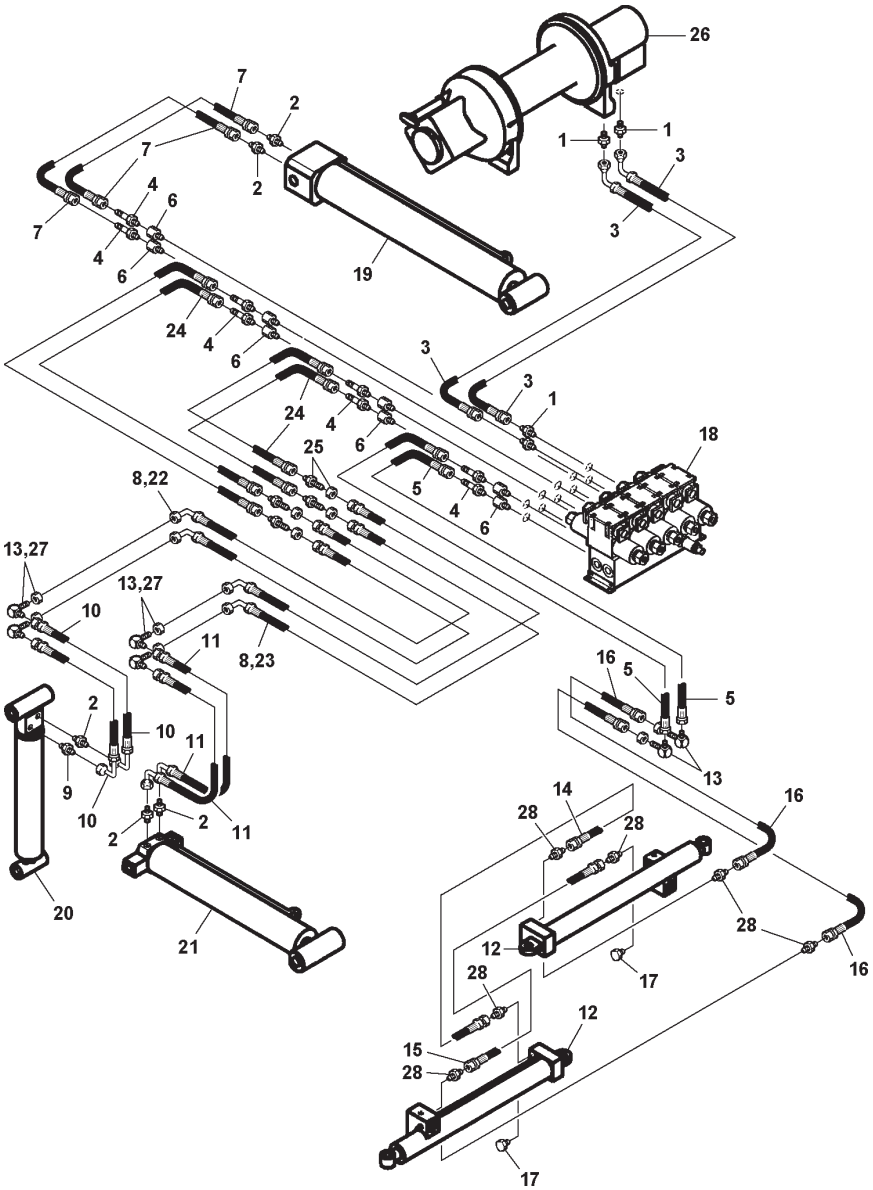
Section VI - PARTS (cont'd)

BOOM ASSEMBLY (cont'd)

REF. NO.	NO. REQ'D	PART NUMBER	DESCRIPTION
40	5	0715553	PLATE, OUTER W/L BOOM STOP
41	1	0715827	PLATE, BOOM END COVER
42	1	0715884	PIN, BOOM ELEVATION CYL @ INNER BOOM
43	1	0715885	PIN, BOOM ELEVATION CYL @ OUTER BOOM
44	1	0715886	PIN, FOLD CYL @ TOWER
45	1	0715888	PIN, FOLD CYL @ U/L
46	1	0716053	COVER, HOSE TRACK
47	1	0803911	L-ARM WELDMENT, LEFT
48	1	0803912	L-ARM WELDMENT, RIGHT
49	2	0803915	PIN WELDMENT, SWING L-ARM
50	1	0803916	PIVOT PIN WELDMENT
51	1	0803917	CROSSBAR WELDMENT
52	2	0803949	TIRE ADAPTER WELDMENT
53	1	0804382	OUTER MAIN BOOM/TOWER WELDMENT
54	1	0804383	INNER MAIN BOOM WELDMENT
55	1	0804384	OUTER UNDERLIFT BOOM WELDMENT
56	1	0804385	INNER UNDERLIFT BOOM WELDMENT
57	1	0804416	PIN WELDMENT - W/L PIVOT
58	1	0804425	HOSE PULLEY WELDMENT
59	1	0804436	CHANNEL WELDMENT, HOSE TRACK
60	1	0804484	HOSE TUBE WELDMENT
61	4	9053713	FLANGE BEARING
62	1	9056150	RETAINING RING, 1-1/2"
63	2	E300002	BEARING
64	2	HD0106	SPRING PIN, 1/4" X 1-3/4"
65	2	0906401	TIE DOWN STRAP ASSEMBLY (NOT SHOWN)
--	1	0306724	STRAP, 8' WITH SLEEVE AND HOOK
--	1	0306729	RATCHET ASSEMBLY WITH HOOK
--	--	--	301M ONLY
66	1	0300219	WIRE ROPE, 3/8X6X19 IPS
67	1	0306884	WINCH, 8K PLANETARY
68	8	0400177	SCREW, 1/2"-13 X 1-1/4" HEX HD CAP
69	8	0400491	LOCKWASHER, 1/2" HELICAL
70	1	0906598	UNIVERSAL BOOM END SWIVEL
71	1	174007111	LEVEL WINDER (NOT SHOWN)
72	1	814174501	TENSIONER MOUNTING ANGLE

Section VI - PARTS (cont'd)

BOOM HYDRAULICS



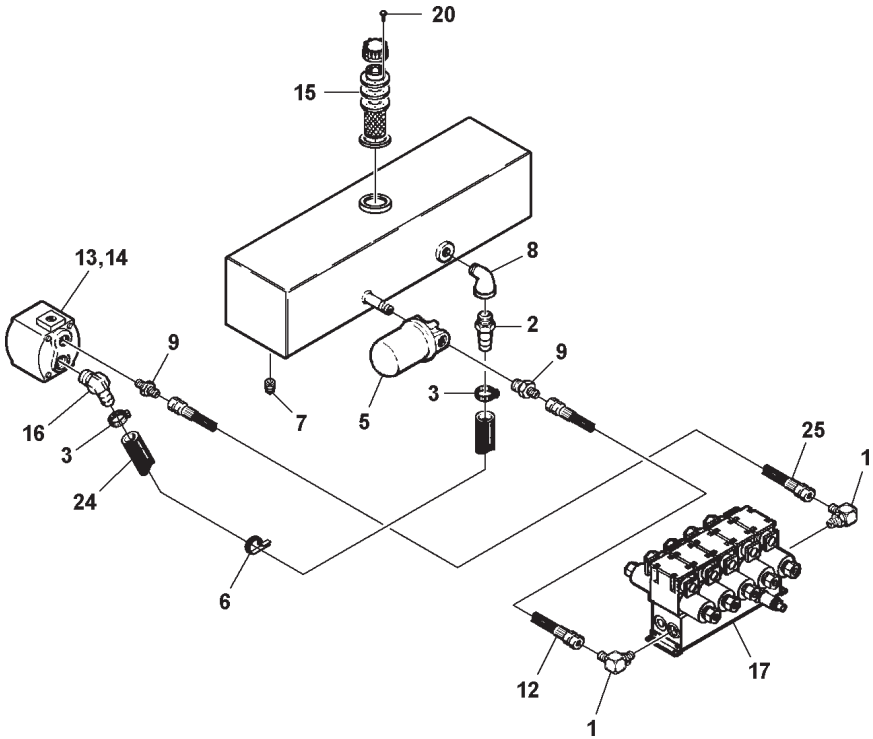
Section VI - PARTS (cont'd)

BOOM HYDRAULICS

REF. NO.	NO. REQ'D	PART NUMBER	DESCRIPTION
1	4	0300041	CONNECTOR, 8MJ-8MB (301M ONLY)
2	5	0301522	CONNECTOR, 6MJ-6MB
3	2	0301893	HOSE ASSEMBLY, 84" (301M ONLY)
4	8	0302510	CONNECTOR, 6MJ-6MBL
5	2	0302531	HOSE ASSEMBLY, 75"
6	8	0303017	CONNECTOR, 8MB-6FB
7	2	0303188	HOSE ASSEMBLY, 75"
8	4 FT.	0303193	SKUFF JACKET, BLACK
9	1	0303671	ORIFICE FITTING, 6MJ-6MB-1/32
10	2	0306781	HOSE ASSEMBLY, 67"
11	2	0306782	HOSE ASSEMBLY, 102-1/2"
12	2	0303844	CYLINDER, SWING L-ARM
13	6	0303858	ELBOW, 4MJ-BULKHEAD 90 W/ NUT
14	1	0303860	HOSE ASSEMBLY, 10-3/4"
15	1	0303861	HOSE ASSEMBLY, 17"
16	2	0303862	HOSE ASSEMBLY, 112"
17	2	0303886	PLUG, 4MB
18	1	0306657	SOLENOID VAVLE, 5 SPOOL (301M)
	1		SOLENOID VAVLE, 4 SPOOL (300M)
19	1	0306658	CYLINDER, BOOM ELEVATION
20	1	0306659	CYLINDER, WHEEL LIFT FOLD
21	1	0306660	CYLINDER, WHEEL LIFT EXTEND
22	2	0306763	HOSE ASSEMBLY, 48"
23	2	0306801	HOSE ASSEMBLY, 52"
24	4	0306814	HOSE ASSEMBLY, 60"
25	4	0306817	BULKHEAD UNION W/ NUT
26	1	0306884	WINCH, 8K PLANETARY (301M ONLY)
27	4	0400487	LOCKWASHER, 7/16" HELICAL
28	6	HC-1291	CONNECTOR, 4MJ-4MB

Section VI - PARTS (cont'd)

PUMP, VALVE AND FILTER HYDRAULICS



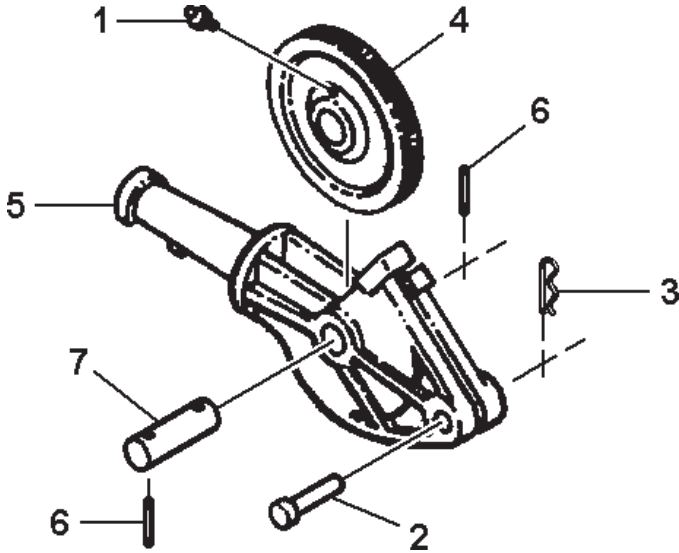
Section VI - PARTS (cont'd)

PUMP, VALVE AND FILTER HYDRAULICS

REF. NO.	NO. REQ'D	PART NUMBER	DESCRIPTION
1	2	0300052	ELBOW, 8MJ-10MB90
2	1	0300056	BARB, 16C4-16MP
3	3	0300071	HOSE CLAMP, 1"
4	5	0300132	CABLE TIE, 15-1/4"
5	1	0300136	RETURN LINE FILTER ASSEMBLY
6	1	0300188	HOSE CLAMP, 1-1/2" INSULATED
7	1	0300446	PIPE PLUG, 3/4" MALE
8	1	0300692	STREET ELBOW, 1" 90°
9	2	0301391	CONNECTOR, 8MJ-12MP
10	3	0301601	HOSE CLAMP, 5/8" INSULATED
11	8 FT.	0301672	SKUFF JACKET, 1-1/2" DIA BLACK
12	1	0302304	HOSE ASSEMBLY, 42"
13	1	0303524	HYDRAULIC CLUTCH PUMP
14	1	0303525	CLUTCH PUMP MOUNTING KIT
15	1	0305006	FILLER CAP ASSEMBLY
16	1	0306541	BARB, 16C4-20MP45
17	1	0306657	SOLENOID VALVE, 5 SPOOL (301M)
	1		SOLENOID VALVE, 4 SPOOL (300M)
18	1	0306715	5 SWITCH REMOTE ASSEMBLY (301M)
	1	0303923	4 SWITCH REMOTE ASSEMBLY (300M)
19	1	0306889	GROUND HARNESS, 10 WIRE
20	6	0400045	SCREW, #10-32 X 1/2" RD HD PHILLIPS
21	4	0400070	SCREW, 1/4"-20 X 1" HEX HD CAP
22	4	0400367	NUT, 1/4"-20 HEX NYLOK
23	8	0400451	WASHER, 1/4" FLAT
24	1	0702540	SUCTION HOSE, 1" X 12 FT.
25	1	12833018	HOSE ASSEMBLY, 185"

Section VI - PARTS (cont'd)

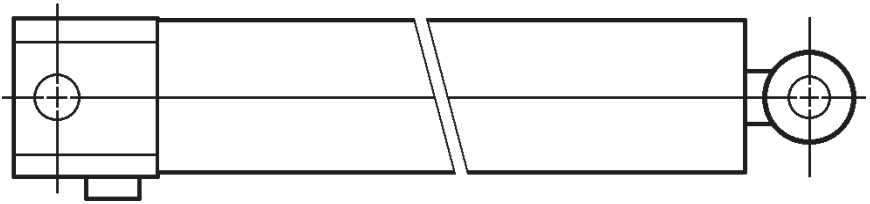
BOOM SWIVEL ASSEMBLY



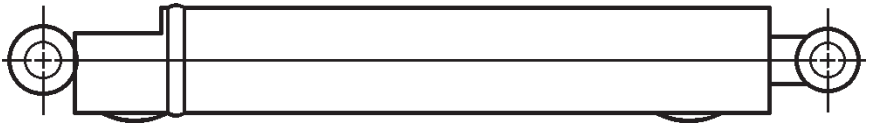
REF. NO.	NO. REQ'D	PART NUMBER	DESCRIPTION
5	1	0300113	GREASE FITTING, 1/4"-28 STR
6	1	0306886	CLEVIS PIN, 1/2" S.S.
7	2	0306887	HAIRPIN, 1-15/16"
3	1	1046E	BOOM SHEAVE WHEEL
4	1	ZZ20E	YOKE, BOOM SHEAVE
1	2	ZZ31	ROLL PIN, 3/16" X 2"
2	1	ZZ53	SHEAVE SHAFT

Section VI - PARTS (cont'd)

HYDRAULIC CYLINDERS



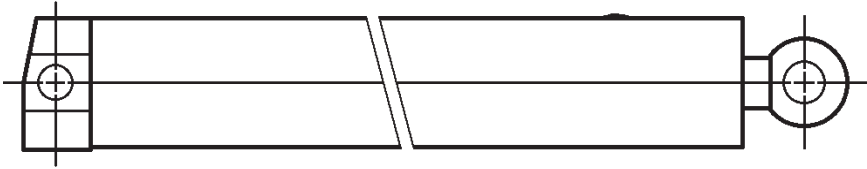
REF. NO.	NO. REQ'D	PART NUMBER	DESCRIPTION
1	1	0306658	BOOM ELEVATION CYLINDER (COMPLETE)
2	1	--	SEAL KIT, BOOM ELEVATION CYLINDER



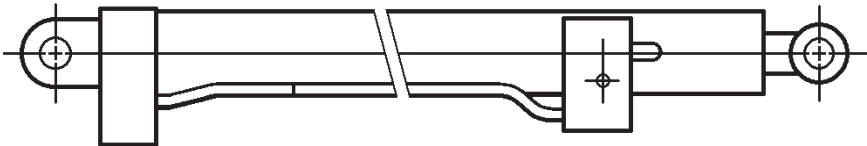
REF. NO.	NO. REQ'D	PART NUMBER	DESCRIPTION
1	1	0306659	WHEEL LIFT FOLD CYLINDER (COMPLETE)
2	1	--	SEAL KIT, WHEEL LIFT FOLD CYLINDER

Section VI - PARTS (cont'd)

HYDRAULIC CYLINDERS



REF. NO.	NO. REQ'D	PART NUMBER	DESCRIPTION
1	1	0306660	WHEEL LIFT EXTEND CYLINDER (COMPLETE)
2	1	--	SEAL KIT, WHEEL LIFT EXTEND CYLINDER



REF. NO.	NO. REQ'D	PART NUMBER	DESCRIPTION
1	1	0303844	SWING L-ARM CYLINDER (COMPLETE)
2	1	--	SEAL KIT, SWING L-ARM CYLINDER

CENTURY®

Miller Industries Towing Equipment Inc.

8503 Hilltop Drive • Ooltewah, Tennessee 37363 • (423) 238-4171

www.millerind.com