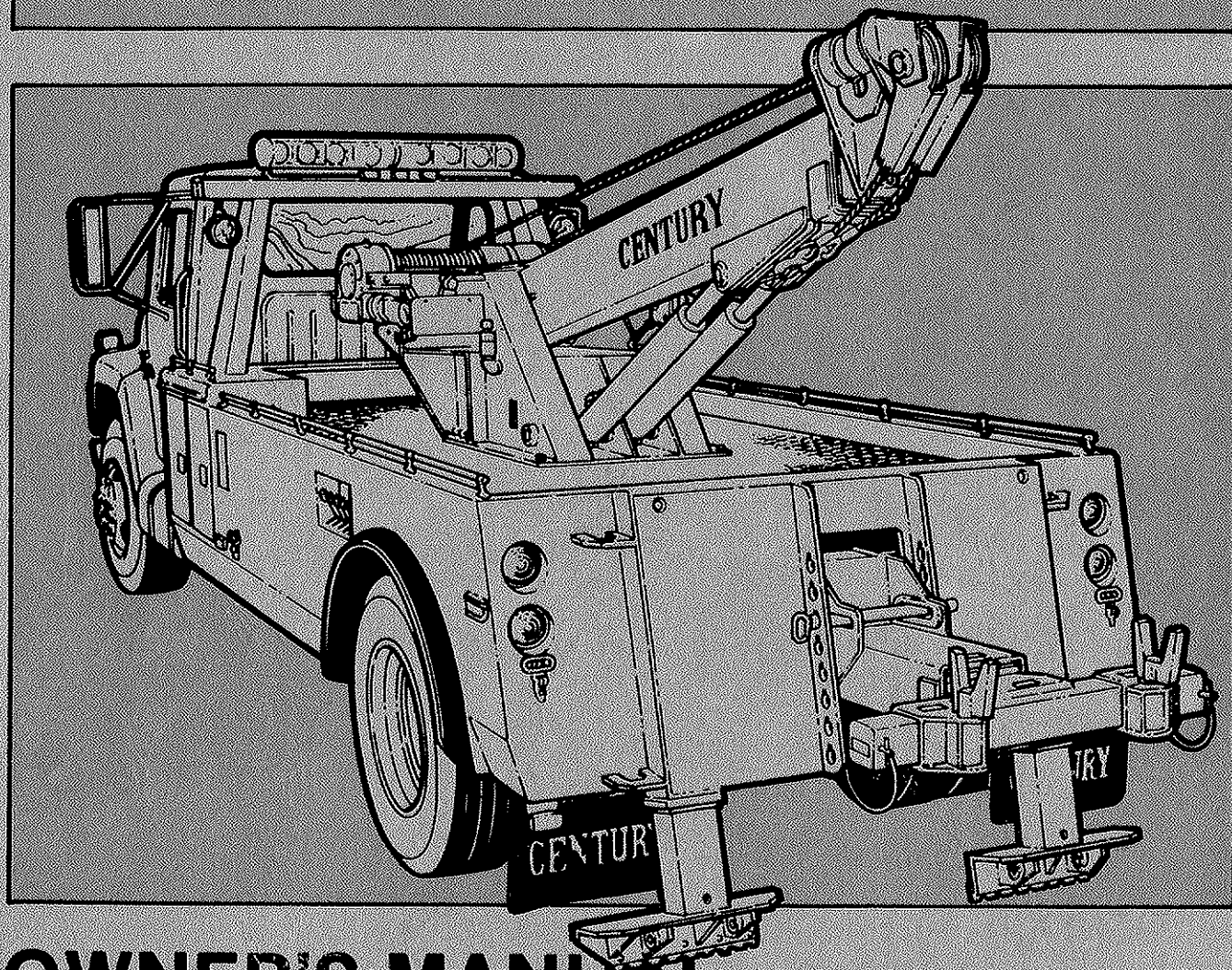


# CENTURY®



## OWNER'S MANUAL

SERIAL NO. HDU0101H87 and above

# HEAVY DUTY UNDERLIFT (HDU)

Installation, Operation,  
Maintenance & Parts

**CENTURY®  
WRECKER  
CORPORATION**

I-75 at Ooltewah Exit #11 • 8503 Hilltop Drive • Ooltewah, Tennessee 37363 • (615) 238-4171

Mailing Address: P.O. Box 120 • Ooltewah, Tennessee 37363 • Telex 856967 CENWKRTN UD

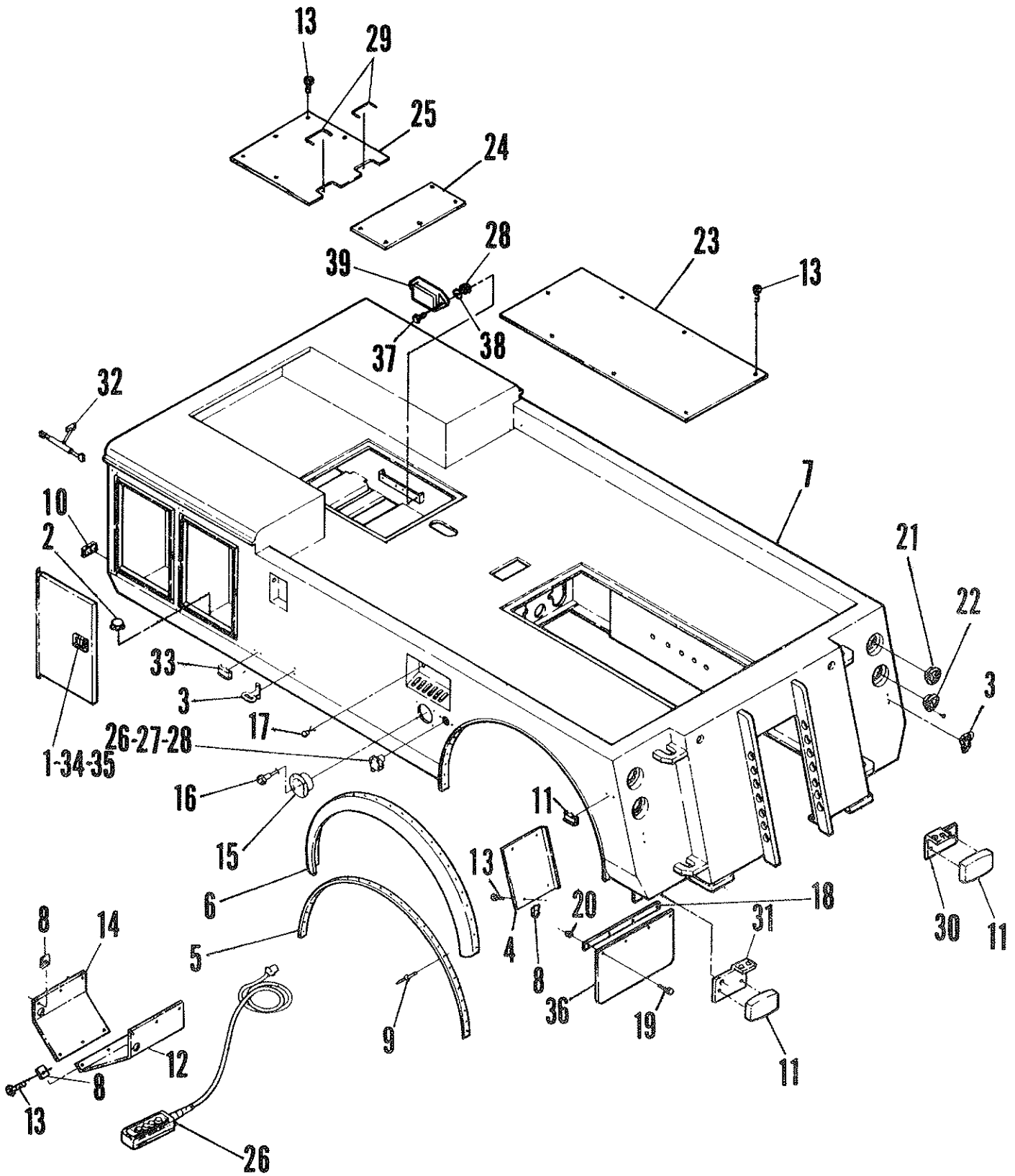
FORM NO. 0500363

PRICE \$15.00

# **Section VI**

# **PARTS**

# Section VI - PARTS BODY ASSEMBLY

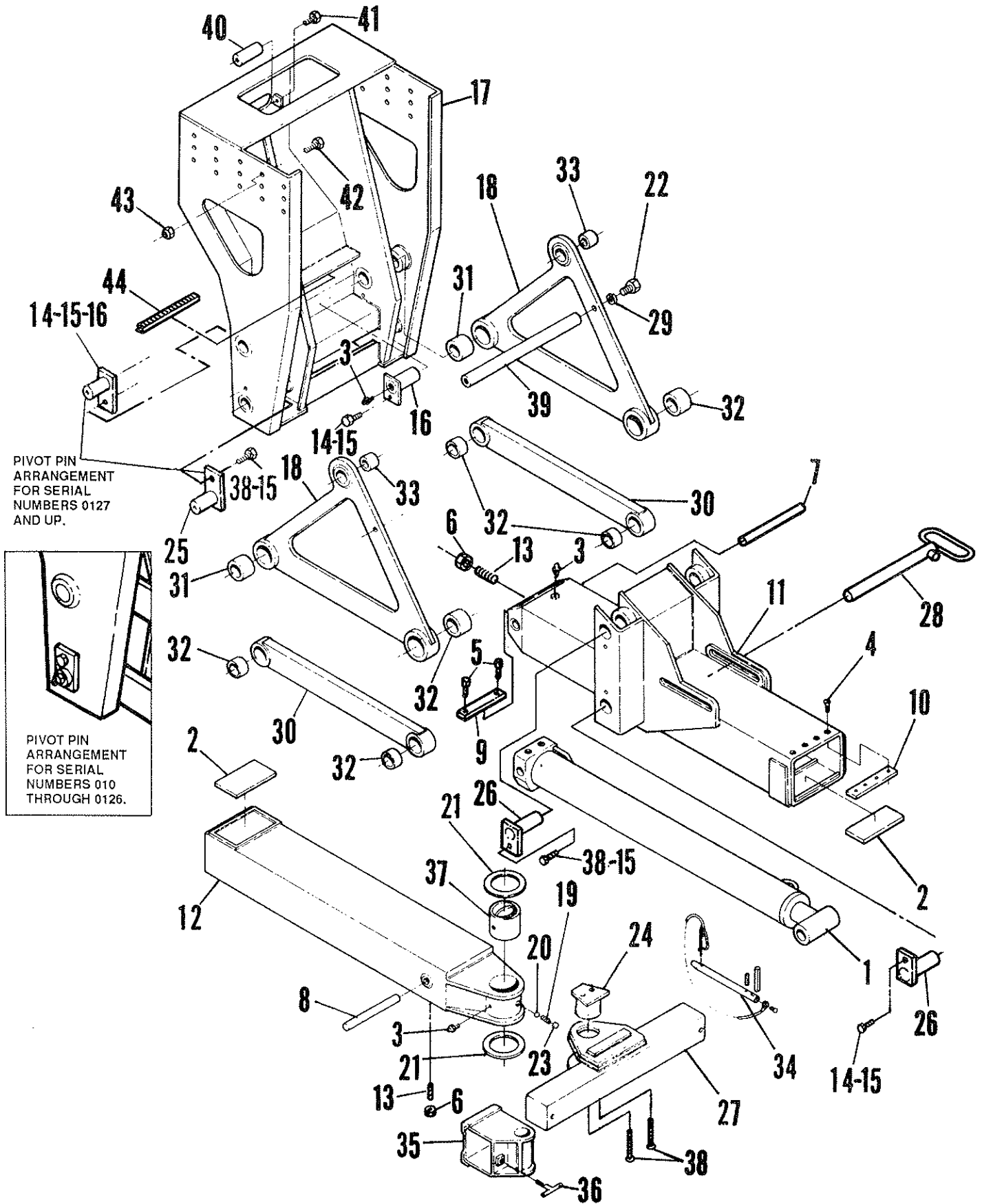


# Section VI - PARTS

## BODY ASSEMBLY

| REF. NO. | NO. REQ'D. | PART NUMBER | DESCRIPTION                                      |
|----------|------------|-------------|--|
| 1        | 4          | 0300027     | LATCH, TOOL COMPARTMENT                          |
| 2        | 2          | 0300032     | PLUG, TOOL COMPARTMENT DRAIN                     |
| 3        | 4          | 0300097     | STEPS, CHROME BOARDING                           |
| 4        | 2          | 0703562     | MUD GUARD  |
| 5        | 2          | 0704046     | RETAINING STRIP, RUBBER FENDER (SINGLE AXLE)     |
| -        | 4          | 0704046     | RETAINING STRIP, RUBBER FENDER (TANDEM AXLE)     |
| 6        | 2          | 0704047     | FENDER, RUBBER (SINGLE AXLE)                     |
| -        | 4          | 0704047     | FENDER, RUBBER (TANDEM AXLE)                     |
| 7        | 1          | 0801178     | BODY WELDMENT (820 SINGLE AXLE)                  |
| -        | 1          | 0801256     | BODY WELDMENT (925 TANDEM AXLE)                  |
| -        | 1          | 0801314     | BODY WELDMENT (925 SINGLE AXLE)                  |
| 8        | 26         | 0400369     | CLIP, 1/4"-J" TYPE TINNEMAN                      |
| 9        | 42         | 0400566     | RIVET, 1/4" DIA, SINGLE                          |
| -        | 68         | 0400566     | RIVET, 1/4" DIA, TANDEM                          |
| 10       | 2          | 0300428     | LIGHT, FRONT & SIDE MARKER (AMBER)               |
| 11       | 4          | 0300427     | LIGHT, SIDE & BACK MARKER (RED)                  |
| 12       | 2          | 0703546     | MUD GUARD, REAR HALF                             |
| 13       | 43         | 0400066     | SCREW, 1/4"-20 x 3/4" LG. HEX. HD. CAP.          |
| 14       | 2          | 0703547     | MUD GUARD, FRONT HALF                            |
| 15       | 1          | 0701328     | HOUSING, THROTTLE CONTROL                        |
| 16       | 1          | 0301218     | CONTROL, 35 FT. THROTTLE                         |
| 17       | 4          | 0300867     | LIGHT, CONTROL STATION ILLUMINATOR               |
| 18       | 2          | 0700554     | BAR, MUD FLAP                                    |
| 19       | 8          | 0400122     | SCREW, 3/8"-16 x 1 1/4" LG. HEX. HD. CAP. GR.5   |
| 20       | 28         | 0400392     | NUT, 3/8"-16 NYLON LOCK                          |
| 21       | 2          | 0300501     | LIGHT, STOP & TURN                               |
| 22       | 2          | 0300505     | LIGHT, BACK-UP                                   |
| 23       | 1          | 0704223     | PLATE, HDU REAR COVER (VALVE ACCESS)             |
| 24       | 1          | 0704213     | PLATE, VALVE COVER (REAR HALF)                   |
| 25       | 1          | 0704222     | PLATE, VALVE COVER (FRONT HALF)                  |
| 26       | 1          | 0302017     | CONTROL, LANYARD HAND (INCLUDES 6-WAY CONNECTOR) |
| 27       | 2          | 0400083     | SCREW, 1/4"-20 x 1 1/4" LG. RD. HD.              |
| 28       | 6          | 0400367     | NUT, 1/4" - 20 NYLON LOCK                        |
| 29       | 2          | 0703616     | HOSE GUARD                                       |
| 30       | 1          | 0700160     | BRACKET, R.H. REAR CLEARANCE LIGHT               |
| 31       | 1          | 0700159     | BRACKET, L.H. REAR CLEARANCE LIGHT               |
| 32       | 4          | 0301912     | DOOR CHECK                                       |
| 33       | 2          | 0301887     | LIGHT, REFLECTIVE SIDE MARKER (AMBER)            |
| 34       | 16         | 0400021     | SCREW, #8-32 x 1/2" RD. HD. PHILLIPS, S.S.       |
| 35       | 16         | 0400351     | NUT, #8 - 32 PL KEPS                             |
| 36       | 2          | 0301223     | MUD FLAP   |
| 37       | 4          | 0400070     | SCREW, 1/4" - 20 x 1" LG. HEX. HD. CAP.          |
| 38       | 6          | 0400451     | WASHER, 1/4" FLAT ZINC PLATED                    |
| 39       | 2          | 0301800     | JUNCTION BOX                                     |

# Section I - PARTS HEAVY DUTY UNDERLIFT ASSEMBLY



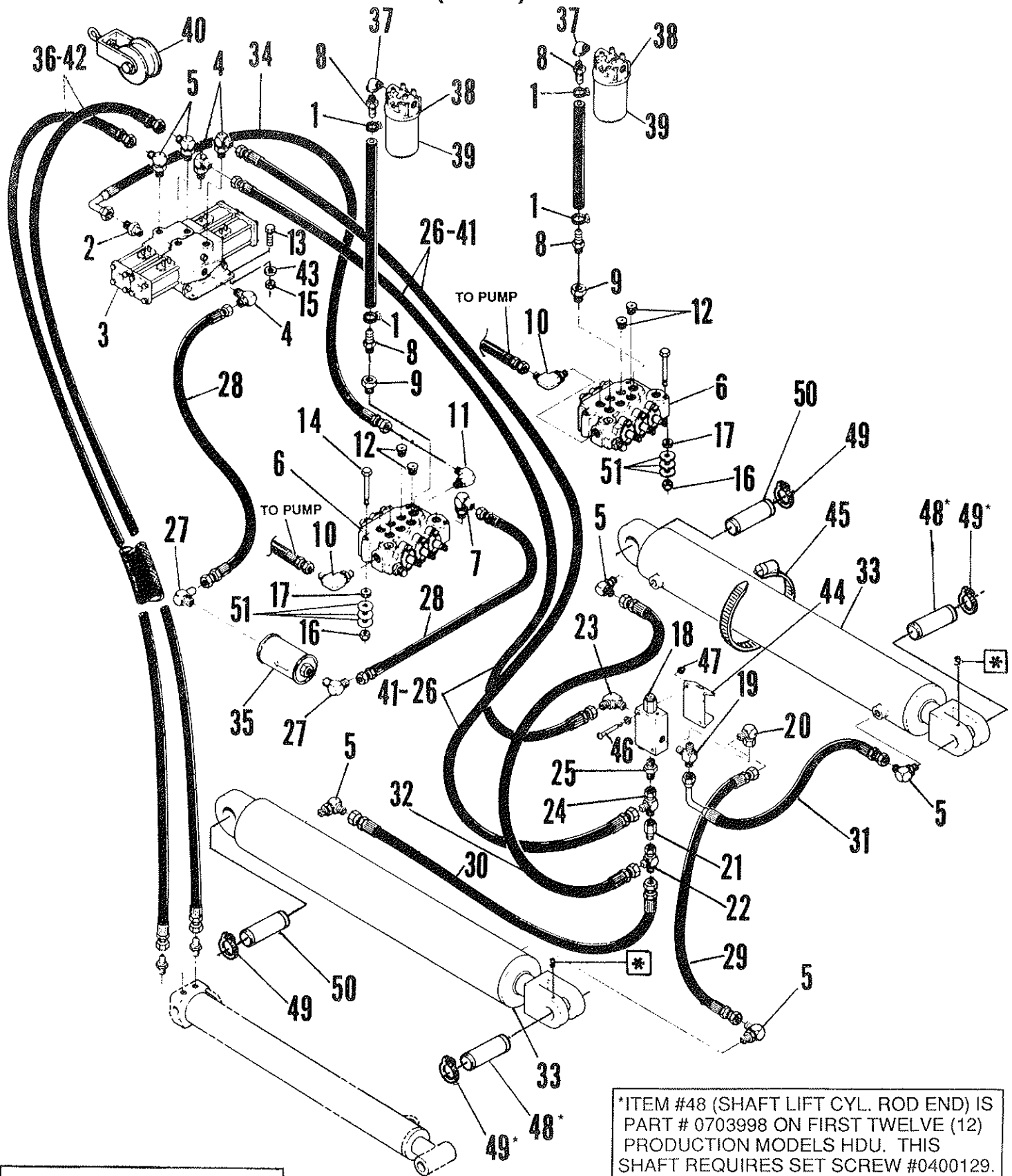
# Section VI - PARTS

## HEAVY DUTY UNDERLIFT ASSEMBLY

| REF. NO. | NO. REQ'D. | PART NUMBER | DESCRIPTION  |
|----------|------------|-------------|--|
| 1        | 1          | 0302002     | CYLINDER, HDU EXTEND                                   |
| 2        | 2          | 0302009     | PAD, NYLATRON SLIDE                                    |
| 3        | 6          | 0300113     | GREASE FITTING, 1/4" - 28 STR.                         |
| 4        | 4          | 0400134     | SCREW, 3/8"-24 x 3/4" LG. FLAT SOCKET HD.              |
| 5        | 2          | 0400207     | SCREW, 1/2"-20 x 3/4" LG. SOCKET HD. CAP               |
| 6        | 2          | 0400392     | NUT, 3/8" - 16 NYLON LOCK ZINC PL                      |
| 7        | 1          | 0703996     | SHAFT, EXT. CYL. OUTER BOOM                            |
| 8        | 1          | 0703997     | SHAFT, EXT. CYL. INNER BOOM                            |
| 9        | 1          | 0704001     | GUIDE BAR  |
| 10       | 1          | 0704017     | STOP PLATE, OUTER BOOM                                 |
| 11       | 1          | 0801155     | OUTER BOOM WELDMENT                                    |
| 12       | 1          | 0801154     | INNER BOOM WELDMENT                                    |
| 13       | 2          | 0400139     | SCREW, 3/8 - 16 NC SOG HD. SET                         |
| 14       | 4          | 0400177     | SCREW, 1/2"-13 X 1 1/4" LG. HEX. HD. CAP. GR.5 ZINC PL |
| 15       | 8          | 0400408     | NUT, 1/2" - 13 NYLON LOCK ZINC PL                      |
| 16       | 2          | 0801147     | SHAFT, FRAME UPPER ARM                                 |
| 17       | 1          | 0801156     | FRAME WELDMENT   |
| 18       | 2          | 0801141     | UPPER ARM & CRANK WELDMENT                             |
| 19       | 1          | 0301197     | SPRING   |
| 20       | 1          | 0301398     | BALL   |
| 21       | 2          | 0302006     | THRUST WASHER  |
| 22       | 2          | 0400323     | SCREW, 1"-8 x 2 1/2" LG. HEX. HD. CAP. GR.5            |
| 23       | 1          | 0704000     | DETENT SPRING SPACER                                   |
| 24       | 1          | 0801146     | PIVOT PIN WELDMENT                                     |
| 25       | 2          | 0801148     | SHAFT, FRAME LOWER ARM                                 |
| 26       | 4          | 0801149     | SHAFT, BOOM UPPER & LOWER                              |
| 27       | 1          | 0801152     | CROSSBAR   |
| 28       | 1          | 0900879     | SAFETY PIN   |
| 29       | 2          | 0400516     | LOCKWASHER, HELICAL 1" ZINC PLATED                     |
| 30       | 2          | 0801153     | LOWER ARM WELDMENT                                     |
| 31       | 2          | 0302005     | BUSHING, UPPER ARM & CRANK                             |
| 32       | 6          | 0302004     | BUSHING, LOWER PIVOT ARM                               |
| 33       | 2          | 0302003     | BUSHING, UPPER ARM & CRANK CYLINDER PIN                |
| 34       | 2          | 0900900     | PIN ASS'Y, RETAINING                                   |
| 35       | 2          | 0801150     | FORK ADAPTOR WELDMENT                                  |
| 36       | 2          | 0800993     | TEE HANDLE   |
| 37       | 1          | 0302019     | BUSHING, PIVOT PIN                                     |
| 38       | 6          | 0400208     | SCREW, 1/2 - 20 NF x 2 LG. SOC. FLT. HD.               |
| 39       | 1          | 0703974     | TUBE, CONNECTING                                       |
| 40       | 1          | 0703441     | ROLLER   |
| 41       | 2          | 0400070     | SCREW, 1/4" - 20 NC x 1" LG. HEX. HD. CAP. ZINC PL     |
| 42       | 15         | 0400302     | SCREW, 7/8" - 9 NC x 2" LG. HEX. HD. CAP. ZINC PL      |
| 43       | 15         | 0400436     | NUT, 7/8" - 9 NC NYLON LOCK ZINC PL                    |
| 44       | 1          | 0301870     | GROMMET, CATERPILLAR                                   |

# Section VI - PARTS

## HEAVY DUTY UNDERLIFT (HDU) HYDRAULICS



NOTE: LIFT CYLINDERS ON FIRST FIVE UNITS AFTER PROTOTYPE ARE PART No. 0302001. (REFER TO BOTTOM OF PAGE 26).

\*ITEM #48 (SHAFT LIFT CYL. ROD END) IS PART # 0703998 ON FIRST TWELVE (12) PRODUCTION MODELS HDU. THIS SHAFT REQUIRES SET SCREW #0400129. ALL OTHER MODELS THEREAFTER AND ANY REPLACEMENT CYLINDERS WILL REQUIRE ITEMS #48 AND #49 OF THIS PARTS LIST.

# Section VI - PARTS

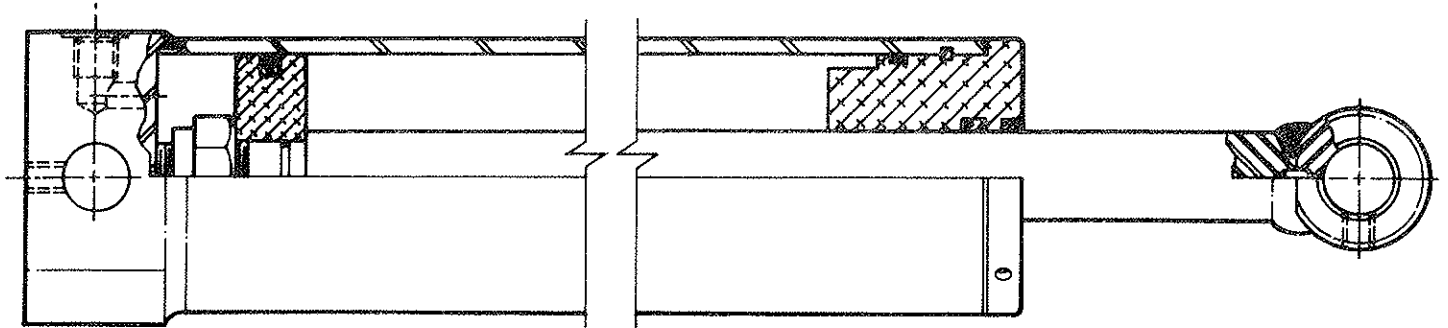
## HEAVY DUTY UNDERLIFT (HDU) HYDRAULICS

| REF. NO. | NO. REQ'D. | PART NUMBER | DESCRIPTION                                       |
|----------|------------|-------------|---|
| 1        | 4          | 0300071     | HOSE CLAMP, 1"                                    |
| 2        | 1          | 0300041     | ADAPTOR, 1/2" SAE x 1/2" JIC STRAIGHT             |
| 3        | 1          | 0301379     | SOLENOID VALVE                                    |
| 4        | 3          | 0301388     | ELBOW, 1/2" SAE x 1/2" JIC x 90°                  |
| 5        | 6          | 0301470     | ELBOW, 1/2" SAE x 3/8" JIC x 90°                  |
| 6        | 2          | 0300010     | VALVE, THREE SPOOL                                |
| 7        | 1          | 0300052     | ELBOW, 5/8" SAE "O" - RING x 1/2" JIC x 90°       |
| 8        | 4          | 0300055     | HOSE BARB   |
| 9        | 2          | 0300065     | ADAPTOR, 3/4" SAE "O" - RING x 3/4" NPT F         |
| 10       | 2          | 0301547     | ELBOW, 3/4" SAE "O" - RING x 1/2" JIC x 90°       |
| 11       | 1          | 0301388     | ELBOW, 1/2" SAE "O" - RING x 1/2" JIC x 90°       |
| 12       | 4          | 0302031     | PLUG, #8 SAE "O" - RING SOCKET HEAD               |
| 13       | 4          | 0400103     | SCREW, 5/16" - 18 x 1 1/4" LG. HEX. HD. CAP. GR.5 |
| 14       | 6          | 0400135     | SCREW, 3/8" - 16 x 4 1/2" LG. HEX. HD. CAP. GR. 5 |
| 15       | 4          | 0400382     | NUT, 5/16" - 18 NYLON LOCK                        |
| 16       | 6          | 0400392     | NUT, 3/8" - 16 NYLON LOCK                         |
| 17       | 6          | 0704045     | SPACER, 3/4" O.D. x 1/8" CONTROL VALVE            |
| 18       | 1          | 0301731     | HOLDING VALVE                                     |
| 19       | 1          | 0301855     | TEE, 3/8" JIC x 3/8" JIC x 3/8" NPT               |
| 20       | 1          | 0301993     | ELBOW, 3/8" JIC x 3/8" JIC SWIVEL x 90°           |
| 21       | 1          | 0301995     | REDUCER, 1/2" JIC x 3/8" JIC F                    |
| 22       | 1          | 0301996     | TEE, 3/8" JIC x 3/8" JIC SWIVEL x 3/8" JIC        |
| 23       | 1          | 0302051     | ELBOW, 1/2" JIC x 3/8" NPT x 90°                  |
| 24       | 1          | 0302052     | TEE, 1/2" JIC x 1/2" JIC SWIVEL x 1/2" JIC RUN    |
| 25       | 1          | 0302053     | REDUCER, 1/2" JIC x 1/4" NPT STRAIGHT             |
| 26       | 2          | 0300165     | HOSE ASS'Y (820 HDU)                              |
| 27       | 2          | 0300229     | ELBOW, 1/2" JIC x 1/2" NPT x 90°                  |
| 28       | 2          | 0300750     | HOSE ASS'Y  |
| 29       | 1          | 0301997     | HOSE ASS'Y  |
| 30       | 1          | 0301998     | HOSE ASS'Y  |
| 31       | 1          | 0301999     | HOSE ASS'Y  |
| 32       | 1          | 0302000     | HOSE ASS'Y  |
| 33       | 2          | 0302050     | CYLINDER, 4" BORE LIFT                            |
| 34       | 1          | 0301471     | HOSE ASS'Y  |
| 35       | 1          | 0301699     | FILTER, HYDRAULIC IN-LINE                         |
| 36       | 2          | 0301875     | HOSE ASS'Y (820 HDU)                              |
| 37       | 2          | 0300288     | ELBOW, STREET                                     |
| 38       | 2          | 0300136     | FILTER ASS'Y, 3/4" NPT OIL                        |
| 39       | 2          | 0300146     | REPLACEMENT ELEMENT                               |
| 40       | 1          | 0901054     | HOSE TENSIONER PULLEY ASS'Y                       |
| 41       | 2          | 0300212     | HOSE ASS'Y (925 HDU)                              |
| 42       | 2          | 0302056     | HOSE ASS'Y (925 HDU)                              |
| 43       | 4          | 0400463     | WASHER, 5/16" FLAT                                |
| 44       | 1          | 0703001     | MOUNTING BRACKET, HOLDING VALVE                   |
| 45       | 1          | 0300133     | CLAMP, BRACKET                                    |
| 46       | 2          | 0400064     | SCREW, 1/4 - 20 NC x 2 1/4" LG. RD. HD. PL        |
| 47       | 2          | 0400367     | NUT, 1/4 - 20 NC NYLON LOCK                       |
| 48       | 2          | 0704390     | SHAFT, LIFT CYL. ROD END                          |
| 49       | 8          | 0300109     | RETAINER RING                                     |
| 50       | 2          | 0703999     | SHAFT, LIFT CYL. BASE END                         |
| 51       | 18         | 0400480     | WASHER, 3/8" FLAT                                 |



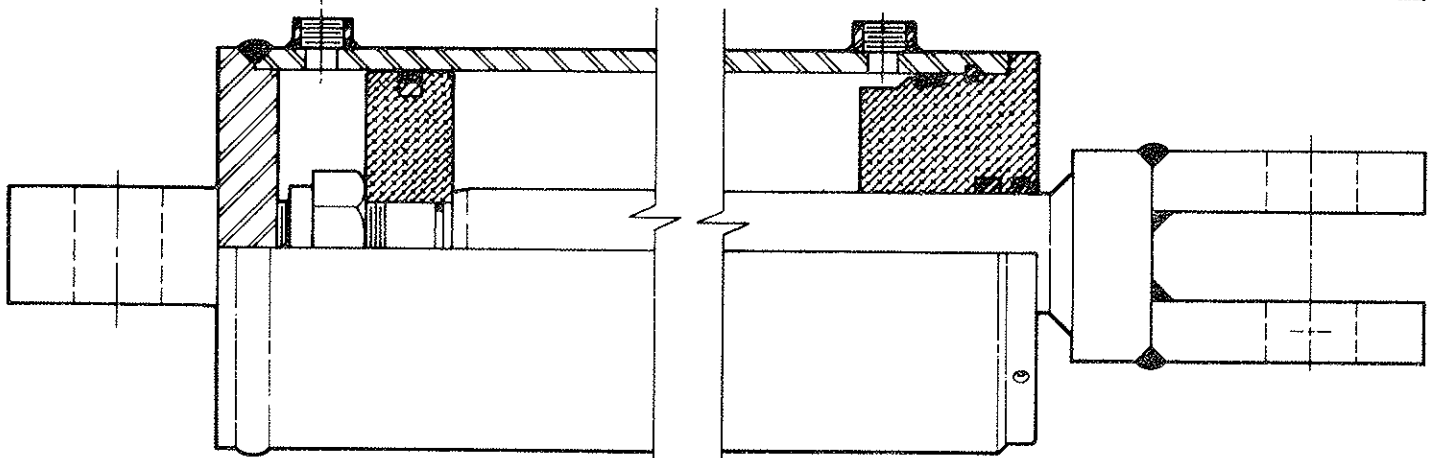
# Section VI - PARTS

## HYDRAULIC CYLINDERS



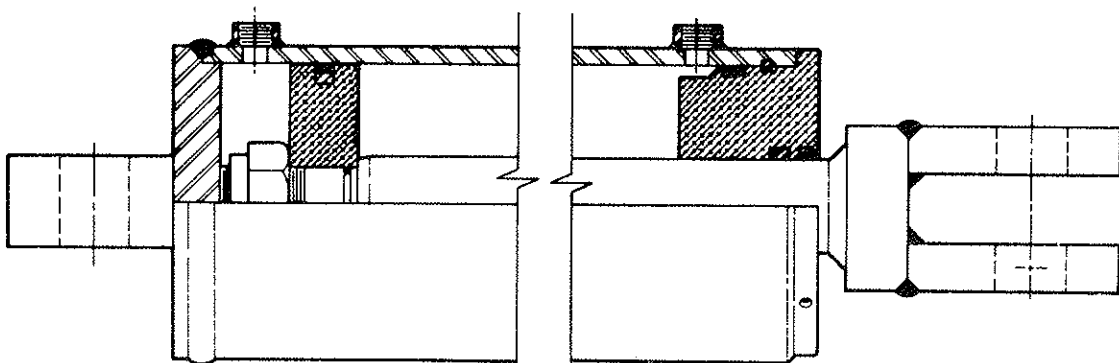
HDU BOOM EXTEND CYLINDER

| REF. NO. | NO. REQ'D. | PART NUMBER | DESCRIPTION                                |
|----------|------------|-------------|--|
| 1        | 1          | 0302002     | HYDRAULIC CYLINDER, BOOM EXTEND (COMPLETE) |
| 2        | 1          | 0304319     | SEAL KIT, BOOM EXTEND CYLINDER             |



HDU LIFT CYLINDER (4" BORE)

| REF. NO. | NO. REQ'D. | PART NUMBER | DESCRIPTION                                     |
|----------|------------|-------------|---|
| 1        | 1          | 0302050     | HYDRAULIC CYLINDER, HDU LIFT (4" BORE) COMPLETE |
| 2        | 1          | 0304320     | SEAL KIT, HDU LIFT CYLINDER (4" BORE)           |

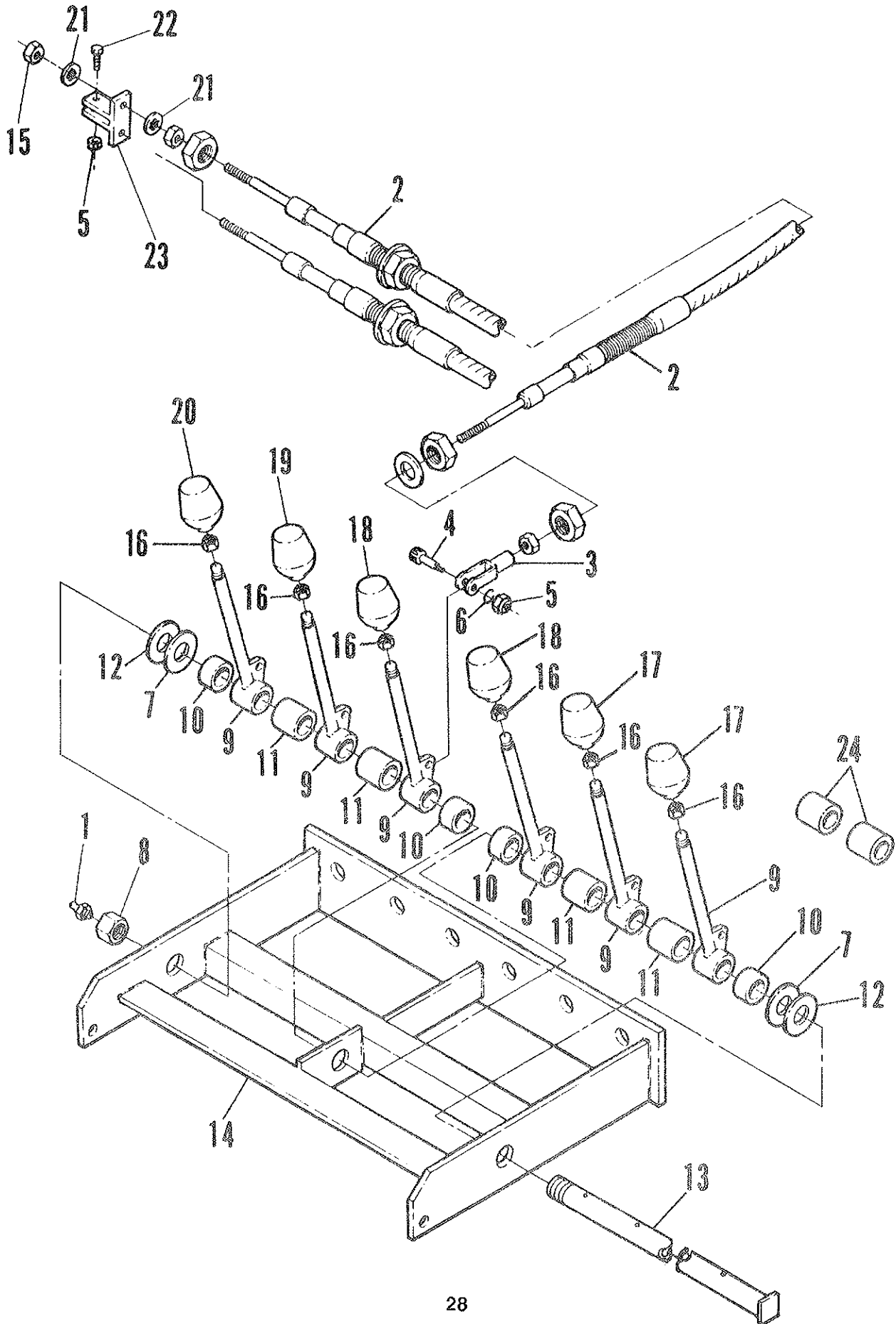


HDU LIFT CYLINDER (6" BORE) \*

| REF. NO. | NO. REQ'D. | PART NUMBER | DESCRIPTION                                     |
|----------|------------|-------------|---|
| 1        | 1          | 0302001     | HYDRAULIC CYLINDER, HDU LIFT (4" BORE) COMPLETE |
| 2        | 1          | 0304321     | SEAL KIT, HDU LIFT CYLINDER (6" BORE)           |

\* Only applies to the following Serial Numbers HDU 0102H87 through HDU 0106H87

Section VI - PARTS -  
CONTROL ASSEMBLY - HDU

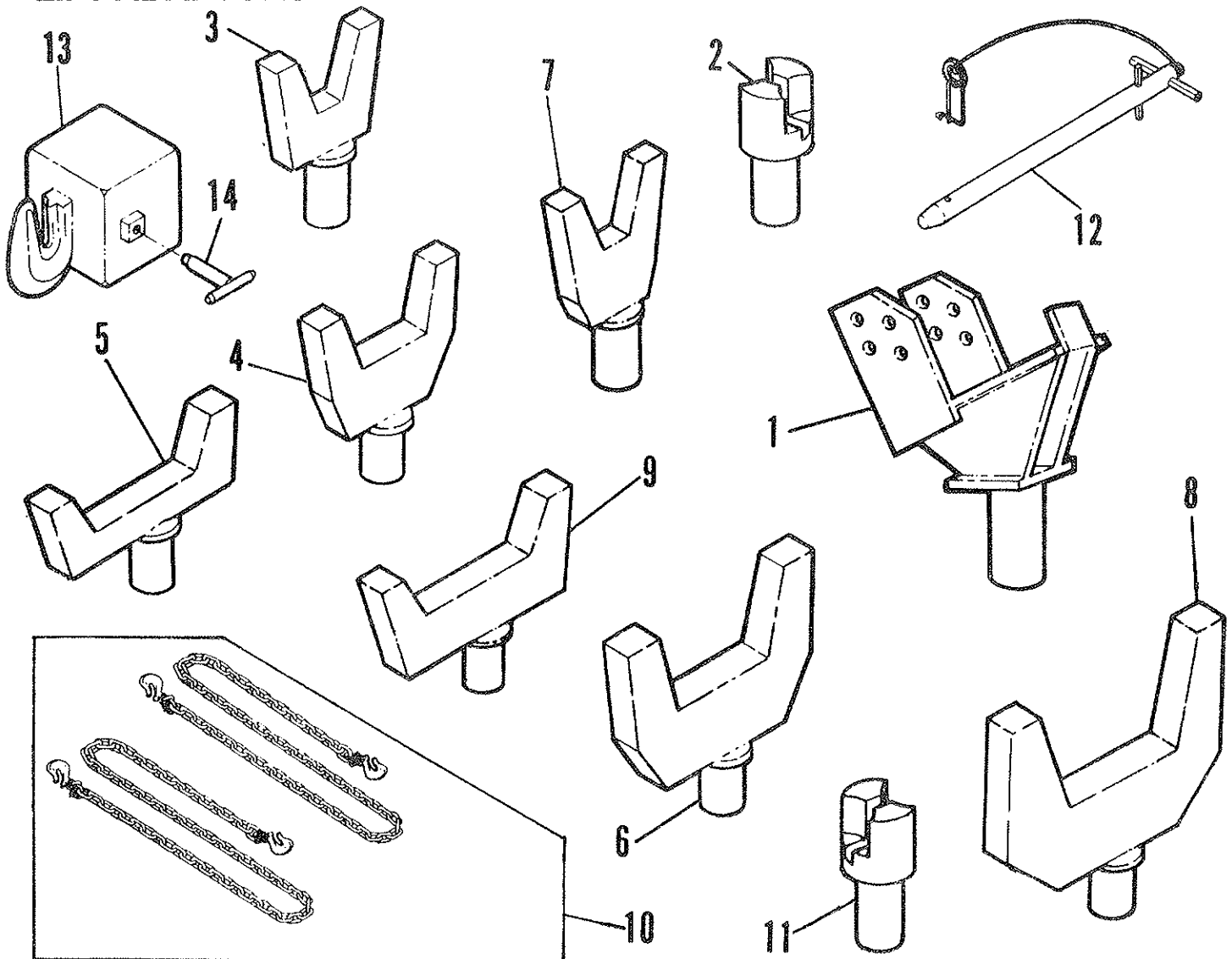


# Section VI - PARTS CONTROL ASSEMBLY

| REF. NO. | NO. REQ'D. | PART NUMBER | DESCRIPTION                                    |
|----------|------------|-------------|--|
| 1        | 2          | 0300113     | GREASE FITTING                                 |
| 2        | 8*         | 0301969     | CONTROL CABLE (820)                            |
| 2        | 8*         | 0301884     | CONTROL CABLE (925)                            |
| 3        | 8*         | 0301867     | CLEVIS, ADJUSTING                              |
| 4        | 8*         | 0400095     | SCREW, 5/16" - 18 x 3/8" DIA x 1" LG. SHOULDER |
| 5        | 12**       | 0400382     | NUT, 5/16" - 18 NYLON LOCK                     |
| 6        | 8*         | 0400482     | LOCKWASHER, 3/8" HELICAL                       |
| 7        | 4          | 0700954     | SPACER, CONTROL HANDLE 0.100"                  |
| 8        | 2          | 0701169     | CAP  |
| 9        | 8*         | 0704363     | CONTROL HANDLE                                 |
| 10       | 6+         | 0703509     | SPACER, CONTROL HANDLE 3/8"                    |
| 11       | 4+         | 0703510     | SPACER, CONTROL HANDLE 1"                      |
| 12       | 2++        | 0703597     | SPACER, CONTROL HANDLE 0.134"                  |
| 13       | 2          | 0801046     | SHAFT, CONTROL HANDLE                          |
| 14       | 2          | 0801047     | MOUNTING BRACKET, CONTROL HANDLE               |
| 15       | 8*         | 0400383     | NUT, 5/16" - 24                                |
| 16       | 8*         | 0400393     | NUT, 3/8" - 16 JAM PL                          |
| 17       | 4          | 0300836     | KNOB, OPTIONAL "JACK UP-DOWN"                  |
| 18       | 4          | 0300834     | KNOB, "CABLE IN-OUT"                           |
| 19       | 2          | 0300837     | KNOB, "BOOM IN-OUT"                            |
| 20       | 2          | 0300835     | KNOB, "BOOM UP-DOWN"                           |
| 21       | 16***      | 0400466     | LOCKWASHER, 5/16" INT TOOTH                    |
| 22       | 4+++       | 0400103     | SCREW, 5/16" - 18 x 1 1/4" LG.                 |
| 23       | 4+++       | 0801054     | CONTROL CABLE CONNECTOR                        |
| 24       | 2          | 0704044     | SPACER, CONTROL HANDLE REPLACEMENT             |

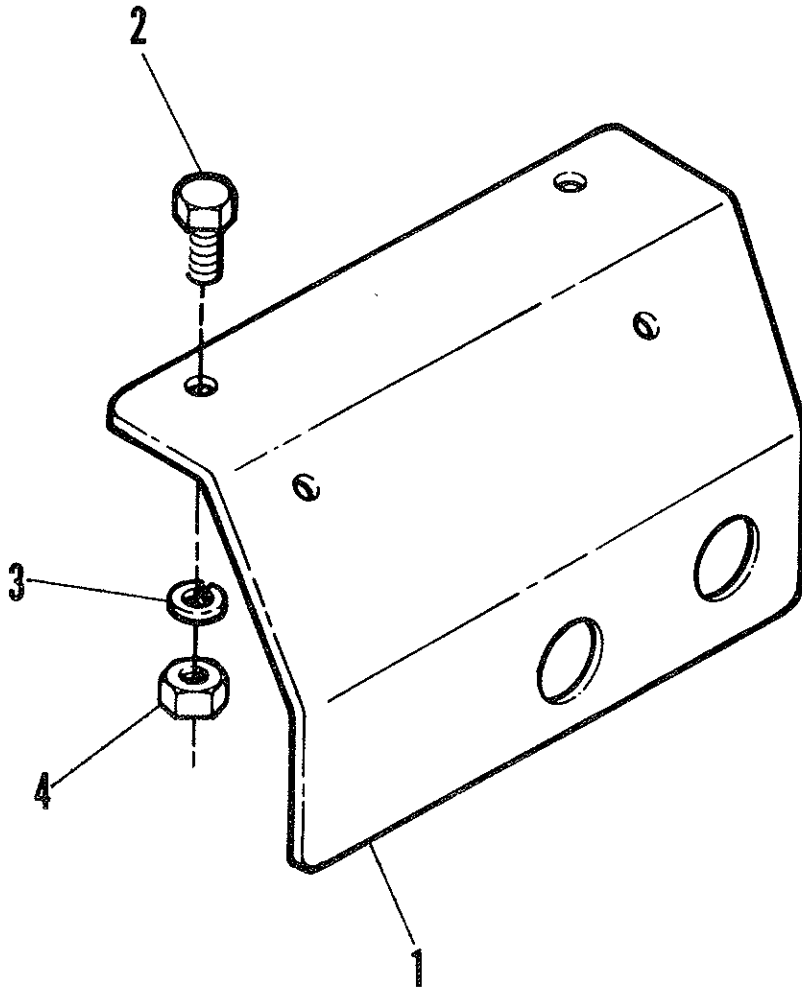
- \* - QUANTITY OF 12 WITH OPTIONAL REAR JACKS
- \*\* - QUANTITY OF 16 WITH OPTIONAL REAR JACKS
- \*\*\* - QUANTITY OF 24 WITH OPTIONAL REAR JACKS
- + - QUANTITY OF 8 WITH OPTIONAL REAR JACKS
- ++ - QUANTITY OF 4 WITH OPTIONAL REAR JACKS
- +++ - QUANTITY OF 6 WITH OPTIONAL REAR JACKS

# Section VI - PARTS - LIFT ADAPTORS



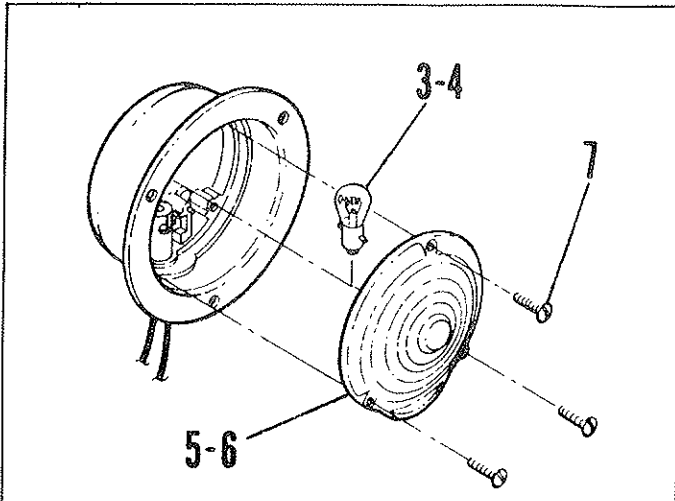
| REF. NO. | NO. REQ'D. | PART NUMBER | DESCRIPTION                                  |
|----------|------------|-------------|--|
| 1        | 2          | 0801090     | SPRING LIFT BRACKET (OPTIONAL)               |
| 2        | 2          | 0703591     | 5/8" CHAIN LIFT ADAPTOR                      |
| 3        | 2          | 0800858     | FORK WELDMENT, SHORT (3" OPENING)            |
| 4        | 2          | 0800857     | FORK WELDMENT, MEDIUM (3" OPENING) (OPT)     |
| 5        | 2          | 0801086     | FORK WELDMENT, SHORT (4-1/2" OPENING)        |
| 6        | 2          | 0801088     | FORK WELDMENT, LONG (4-1/2" OPENING)         |
| 7        | 2          | 0800859     | FORK WELDMENT, LONG (3" OPENING)             |
| 8        | 2          | 0801077     | REAR AXLE FORK, 6" OPENING (OPTIONAL)        |
| 9        | 2          | 0801087     | FORK WELDMENT MEDIUM (4-1/2" OPENING)(OPT)   |
| 10       | 2          | 0301205     | TOWBAR CHAINS, 5/8" X 96" W/HOOKS (OPTIONAL) |
| 11       | 2          | 0703785     | 1/2" CHAIN LIFT, ADAPTOR (OPTIONAL)          |
| 12       | 2          | 0900900     | RETAINER PIN, SPRING LIFT BRACKET (OPTIONAL) |
| 13       | 1          | 0801186     | CHAIN HOOK ADAPTOR, R.H. (OPTIONAL)          |
| —        | 1          | 0801187     | CHAIN HOOK ADAPTOR, L.H. (OPTIONAL)          |
| 14       | 2          | 0801184     | TEE HANDLE                                   |

# Section VI - PARTS STANDARD PTO PANEL



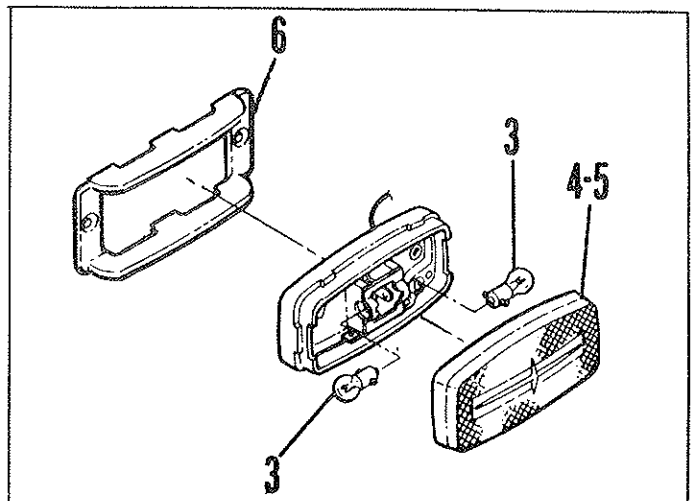
| REF. NO. | NO. REQ'D. | PART NUMBER | DESCRIPTION             |
|----------|------------|-------------|-------------------------|
| 1        | 1          | 0702227     | PANEL                   |
| 2        | 2          | 0400061     | SCREW, 1/4" - 20 x 3/4" |
| 3        | 2          | 0400452     | LOCKWASHER, 1/4"        |
| 4        | 2          | 0400366     | NUT, 1/4" - 20 HEX      |

# Section VI - PARTS - LIGHT KIT



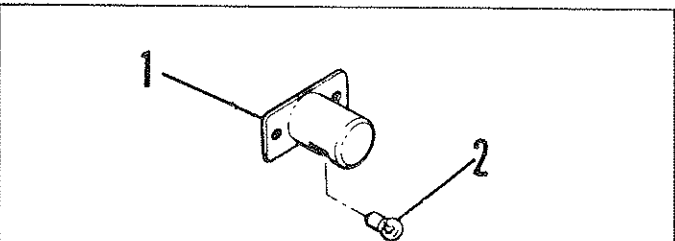
### STOP & TURN/BACK-UP LIGHTS

- |                                  |         |
|----------------------------------|---------|
| 1. LIGHT, STOP & TURN (COMPLETE) | 0300501 |
| 2. LIGHT, BACK-UP (COMPLETE)     | 0300505 |
| 3. BULB, STOP & TURN             | 0300498 |
| 4. BULB, BACK-UP                 | 0300503 |
| 5. LENS, STOP & TURN (RED)       | 0300499 |
| 6. LENS, BACK-UP (CLEAR)         | 0300504 |
| 7. SCREW, LENS                   | 0300500 |



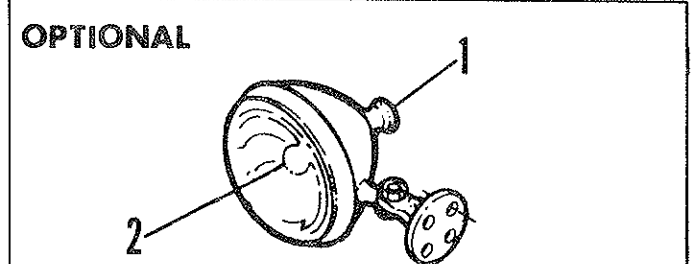
### MARKER LIGHTS - RED & AMBER

- |                                 |         |
|---------------------------------|---------|
| 1. LIGHT, RED MARKER (COMPLETE) | 0300427 |
| 2. LIGHT, AMBER MARKER (CPL)    | 0300428 |
| 3. BULB, MARKER LIGHT           | 0300507 |
| 4. LENS, RED MARKER             | 0300508 |
| 5. LENS, AMBER MARKER           | 0300510 |
| 6. GUARD, MARKER LIGHT (OPT)    | 0300242 |



### LICENSE PLATE ILLUMINATOR

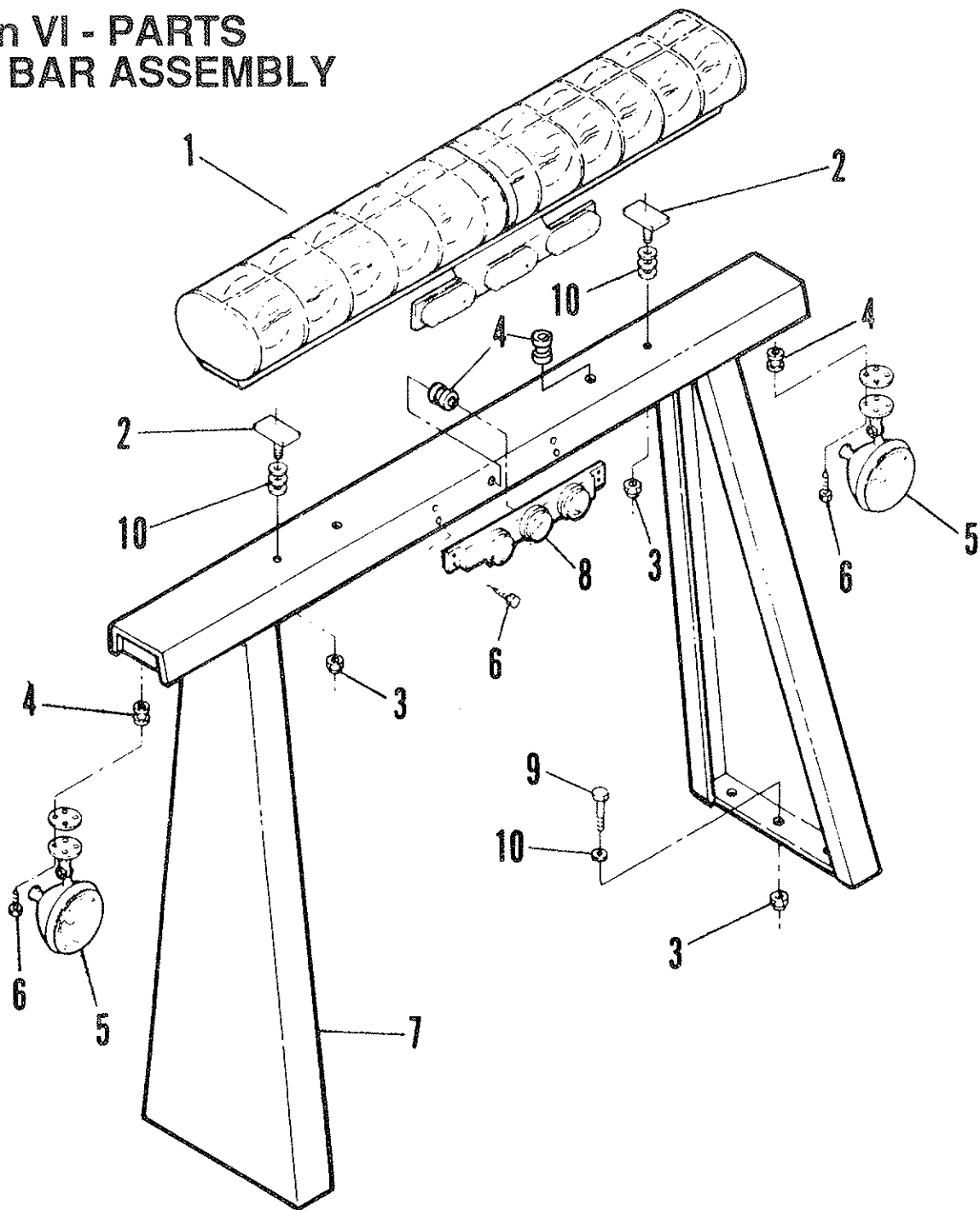
- |                               |         |
|-------------------------------|---------|
| 1. LICENSE PLATE ILLUM. (CPL) | 0300273 |
| 2. BULB, LICENSE PLATE ILLUM. | 0300512 |



### HAND OPERATED SPOTLIGHTS

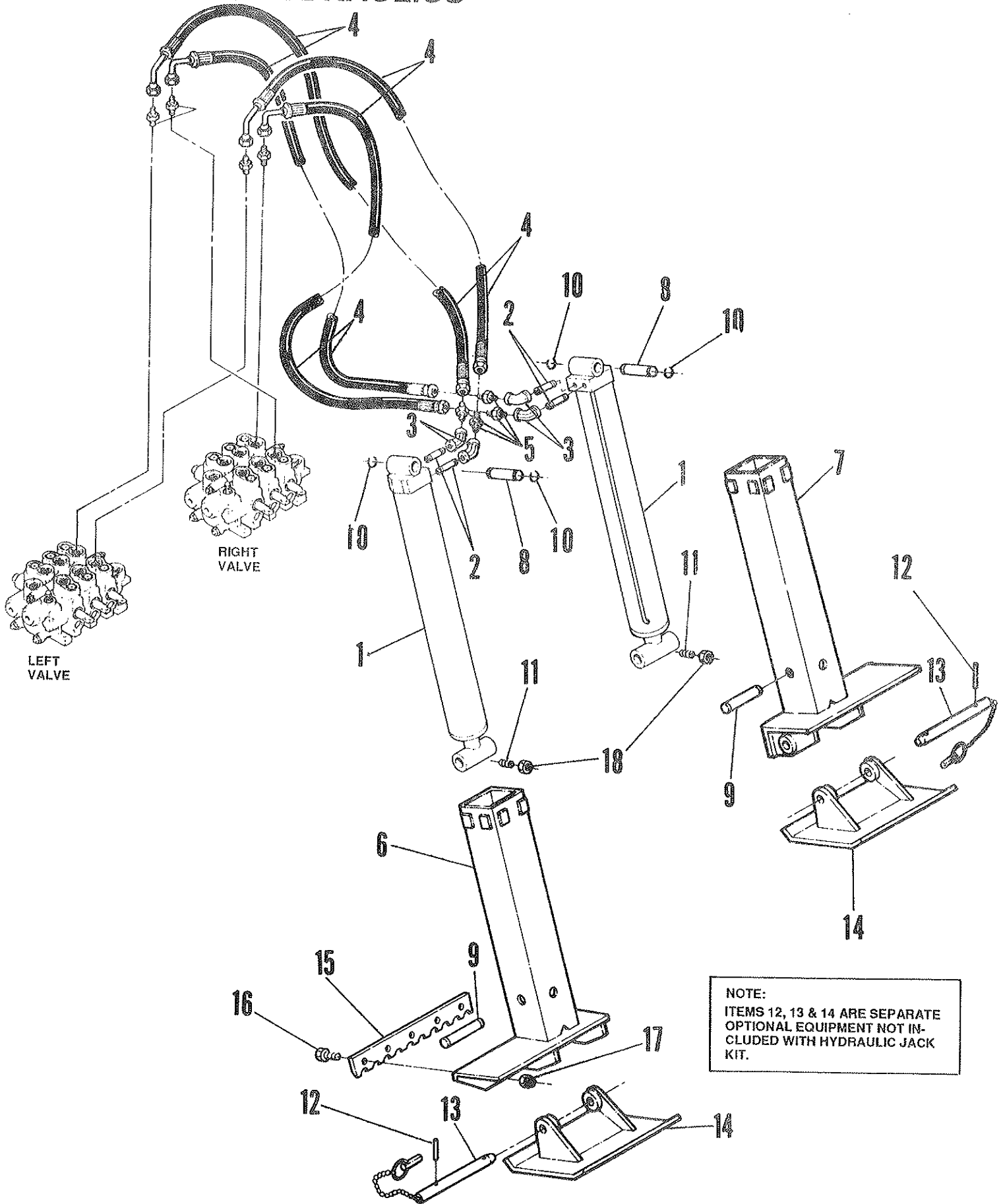
- |                         |         |
|-------------------------|---------|
| 1. SPOTLIGHT (COMPLETE) | 0300095 |
| 2. BULB, SPOTLIGHT      | 0300700 |

# Section VI - PARTS LIGHT BAR ASSEMBLY



| REF. NO. | NO. REQ'D. | PART NUMBER | DESCRIPTION                            |
|----------|------------|-------------|--|
| 1        | 1          | 0301359     | WRECKER SPECIAL LIGHT                  |
| 2        | 2          | 0800539     | "T" BOLT ADAPTOR                       |
| 3        | 8          | 0400392     | NUT, 3/8" - 16 HEX. NYLON LOCK         |
| 4        | 4          | 0300117     | RUBBER GROMMET                         |
| 5        | 2          | 0300095     | SPOTLIGHT W/GASKET                     |
| 6        | 12         | 0400027     | SCREW, #8 - 32 x 5/8" LG. SELF TAPPING |
| 7        | 1          | 0800879     | LIGHT BAR FOR WRECKER, 36"             |
| -        | 1          | 0800933     | LIGHT BAR FOR WRECKER, 44 1/2"         |
| 8        | 1          | 0300442     | 3 BAR LIGHT                            |
| 9        | 6          | 0400122     | SCREW, 3/8" - 16 x 1 1/4" LG. HEX. HD. |
| 10       | 12         | 0400480     | FLATWASHER, 3/8"                       |

# Section VII - OPTIONAL EQUIPMENT REAR JACKS HYDRAULICS



NOTE:  
ITEMS 12, 13 & 14 ARE SEPARATE  
OPTIONAL EQUIPMENT NOT IN-  
CLUDED WITH HYDRAULIC JACK  
KIT.



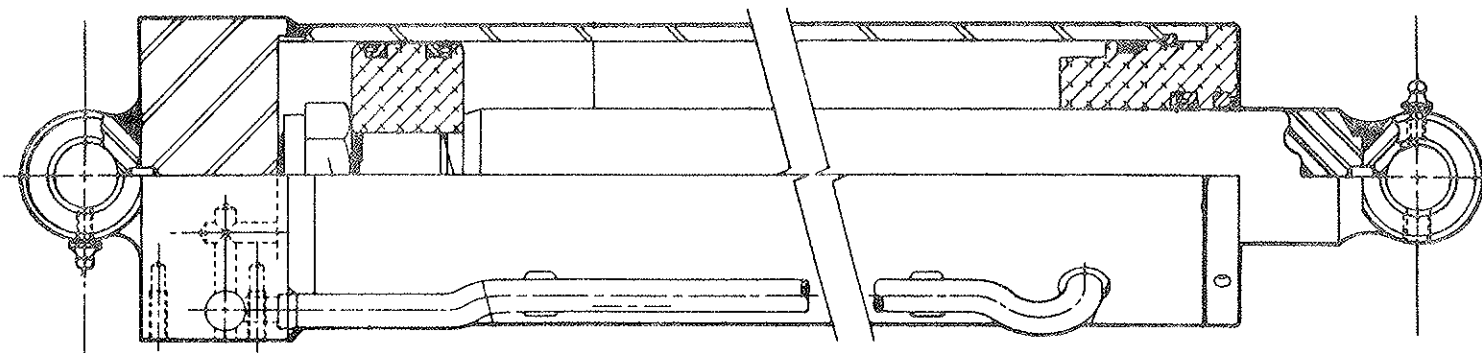
# Section VII - OPTIONAL EQUIPMENT

## REAR JACKS & REAR JACKS HYDRAULICS

| REF. NO. | NO. REQ'D. | PART NUMBER | DESCRIPTION                                  |
|----------|------------|-------------|--|
| 1        | 2          | 0300680     | CYLINDER, REAR JACK                          |
| 2        | 4          | 0301819     | NIPPLE, 1/2" NPT SCH 80 x 4-1/2" BLK PIPE    |
| 3        | 4          | 0301816     | ELBOW, 1/2" NPT x 45° FEM NPT                |
| 4        | 4          | 0300661     | HOSE ASS'Y                                   |
| 5        | 4          | 0300040     | CONNECTOR, 1/2" JIC x 1/2" NPT STR.          |
| 6        | 1          | 0801037     | LEFT REAR INNER JACK WELDMENT                |
| 7        | 1          | 0801038     | RIGHT REAR INNER JACK WELDMENT               |
| 8        | 2          | 0703457     | SHAFT, JACK CYLINDER UPPER                   |
| 9        | 2          | 0703458     | SHAFT, JACK CYLINDER LOWER                   |
| 10       | 4          | 0300110     | RING, 1" EXTERNAL RETAINING                  |
| 11       | 2          | 0400139     | SCREW, 3/8" - 16 x 1-1/2" LG. SOCKET HD. SET |
| 12       | 2          | 0400554     | ROLL PIN                                     |
| 13       | 2          | 0900910     | PIN, JACK PAD                                |
| 14       | 2          | 0801039     | PAD, PIN-ON JACK                             |
| 15       | 2          | 0703459     | BLADE, REAR JACK                             |
| 16       | 10         | 0400181     | SCREW, 1/2" - 13 x 1-1/2" LG. HEX. HD. CAP   |
| 17       | 10         | 0400408     | NUT, 1/2" - 13 NYLON LOCK                    |
| 18       | 2          | 0400392     | NUT, 3/8" - 16 NYLON LOCK                    |

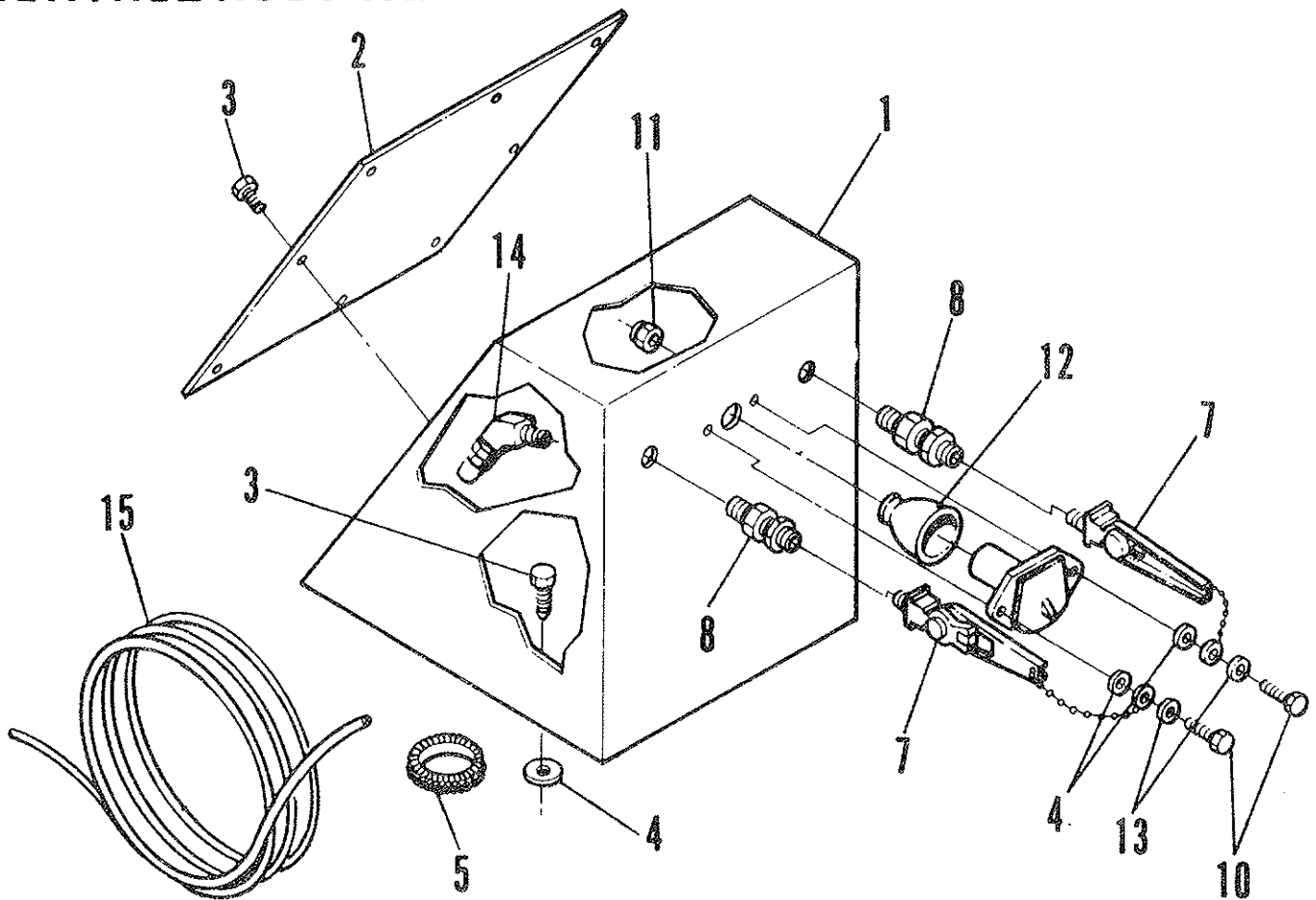
# Section VII - OPTIONAL EQUIPMENT

## REAR SPADE CYLINDER



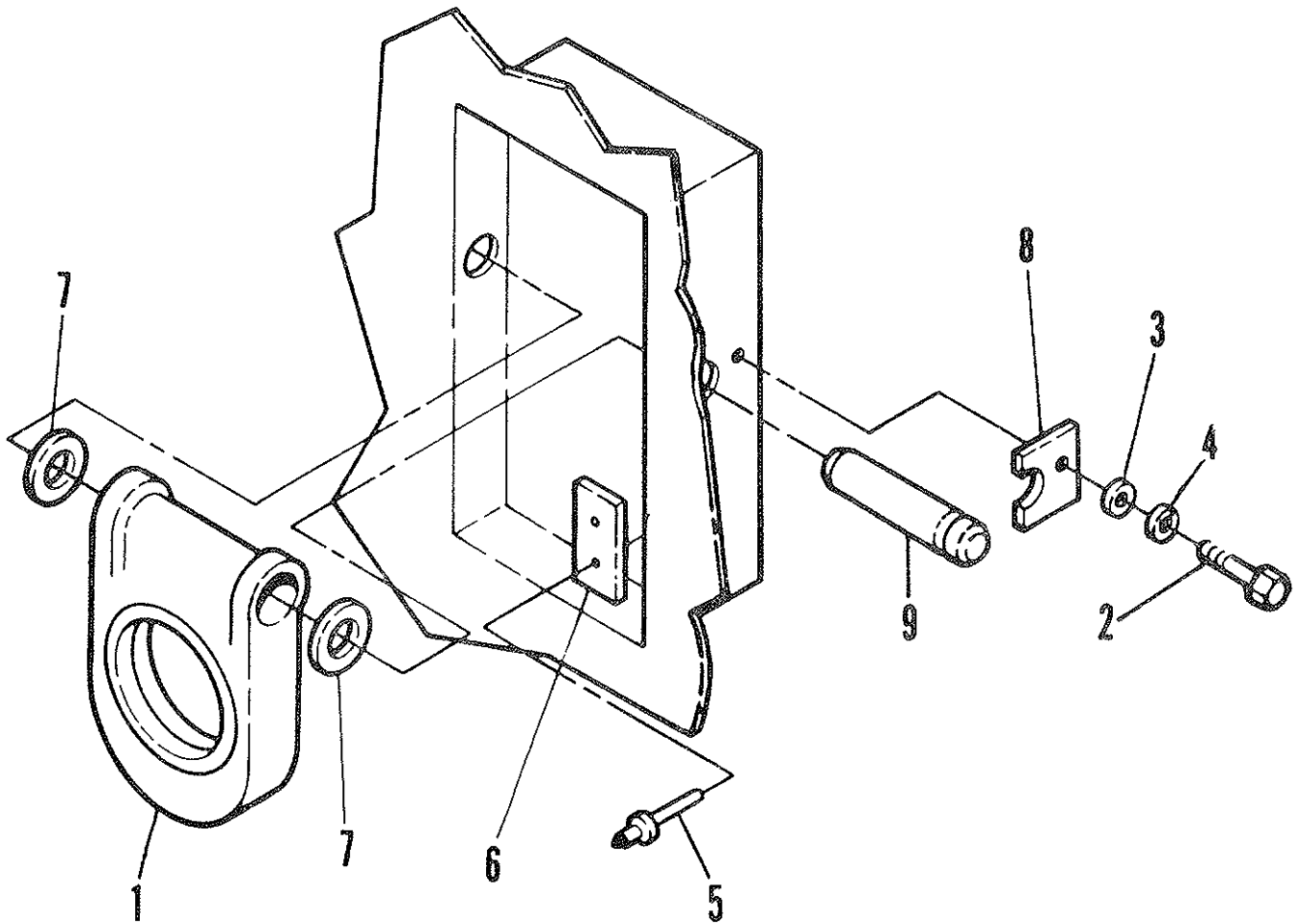
| REF. NO. | NO. REQ'D. | PART NUMBER | DESCRIPTION                               |
|----------|------------|-------------|---|
| 1        | 1          | 0300680     | HYDRAULIC CYLINDER, REAR SPADE (COMPLETE) |
| 2        | 1          | 0301353     | SEAL KIT, REAR SPADE CYLINDER             |
|          |            |             |   |

# Section VII - OPTIONAL EQUIPMENT CONTROL HOUSING ASSEMBLY



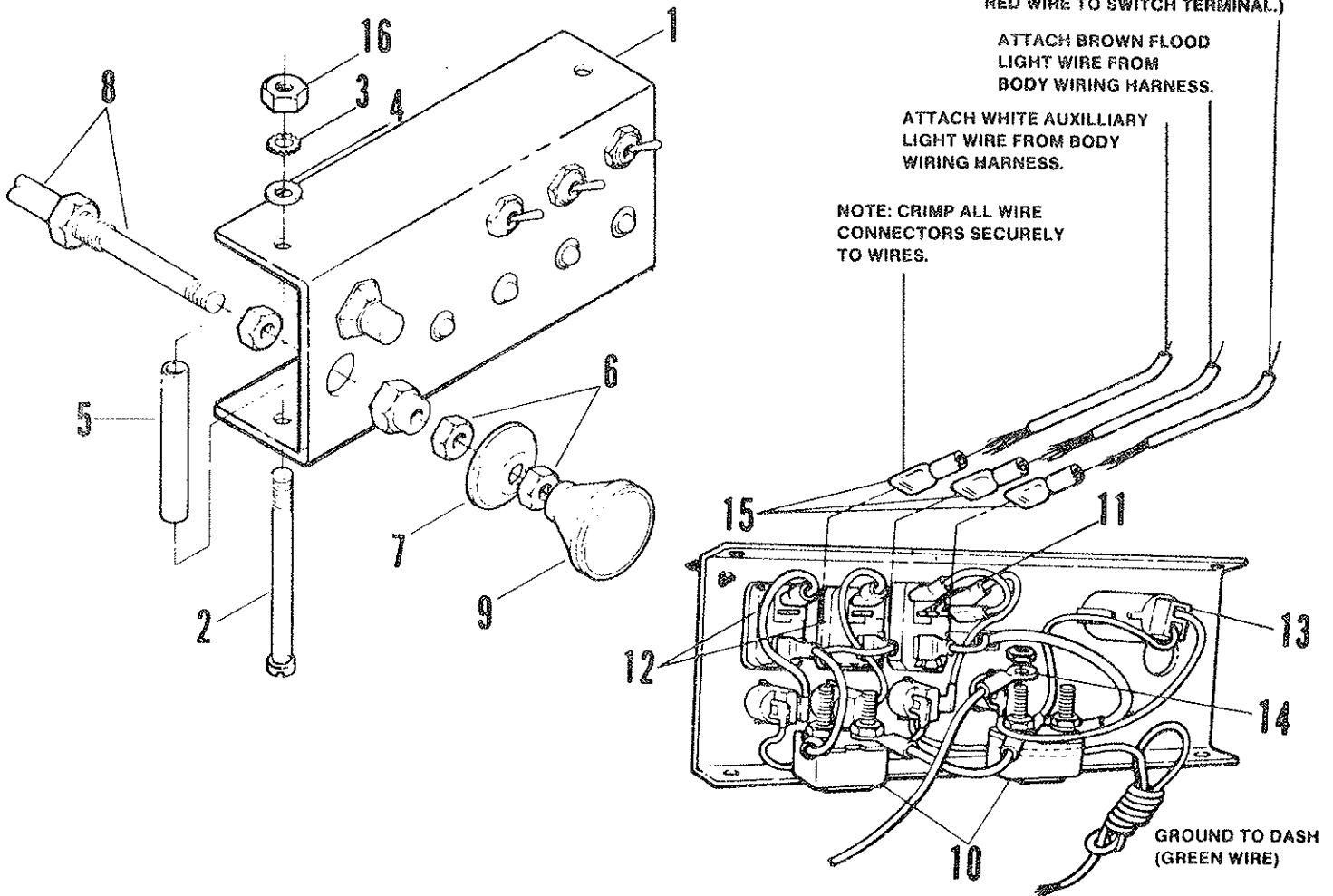
| REF. NO. | NO. REQ'D. | PART NUMBER | DESCRIPTION   |
|----------|------------|-------------|---|
| —        | —          | 1100441     | CONTROL HOUSING - COMPLETE                          |
| —        | —          | 0900973     | HOUSING ASS'Y., GLAD HAND                           |
| 1        | 1          | 0801099     | HOUSING, WELDED GLAD HAND                           |
| 2        | 1          | 0703797     | LID HOUSING, WELDED                                 |
| 3        | 9          | 0400062     | SCREW, 1/4"-20 X 3/4" LG. HEX. HD., SELF-TAPPING ZP |
| 4        | 4          | 0400451     | FLATWASHER, 1/4", ZP                                |
| 5        | 1          | 0301862     | GROMMET   |
| 6        | 2          | 0301944     | GLAD HAND COUPLING                                  |
| 7        | 2          | 0301945     | GLAD HAND PLUG                                      |
| 8        | 2          | 0301946     | CONNECTOR   |
| 9        | 1          | 0301948     | H.D. 7-WAY TRAILER CONNECTOR                        |
| 10       | 2          | 0400070     | SCREW, 1/4"-20 x 1" LG. HEX. HD. CAP, GR.5, ZP      |
| 11       | 2          | 0400367     | NUT, 1/4"-20 NYLON LOCK HEX., ZP                    |
| 12       | 1          | 0301909     | RECEPTACLE BOOT                                     |
| 13       | 2          | 0400463     | FLATWASHER, 5/16", ZP                               |
| 14       | 2          | 0301947     | ADAPTOR, 1/4 NPTM X 3/8" SYN. HOSE                  |
| 15       | 2          | 0703795     | HOSE. 3/8" x 4" LG. SYN.                            |

**Section VII - OPTIONAL EQUIPMENT**  
**"D" - RING**



| REF. NO. | NO. REQ'D | PART NUMBER | DESCRIPTION                            |
|----------|-----------|-------------|--|
| 1        | 2         | 0301102     | HEAVY DUTY "D" RING                    |
| 2        | 2         | 0400121     | SCREW, 3/8" - 16 x 3/4", CAP HEX GR. 5 |
| 3        | 2         | 0400480     | WASHER, 3/8" FLAT, ZINC PL.            |
| 4        | 2         | 0400482     | LOCKWASHER, 3/8" HELICAL, ZINC PL.     |
| 5        | 4         | 0400566     | RIVET, 1/4" PLATED                     |
| 6        | 2         | 0701421     | BUMPER                                 |
| 7        | 4         | 0701616     | WASHER, SHAFT                          |
| 8        | 2         | 0701693     | RETAINER, "D" RING SHAFT               |
| 9        | 2         | 0701694     | SHAFT, 1 3/8" DIA.                     |

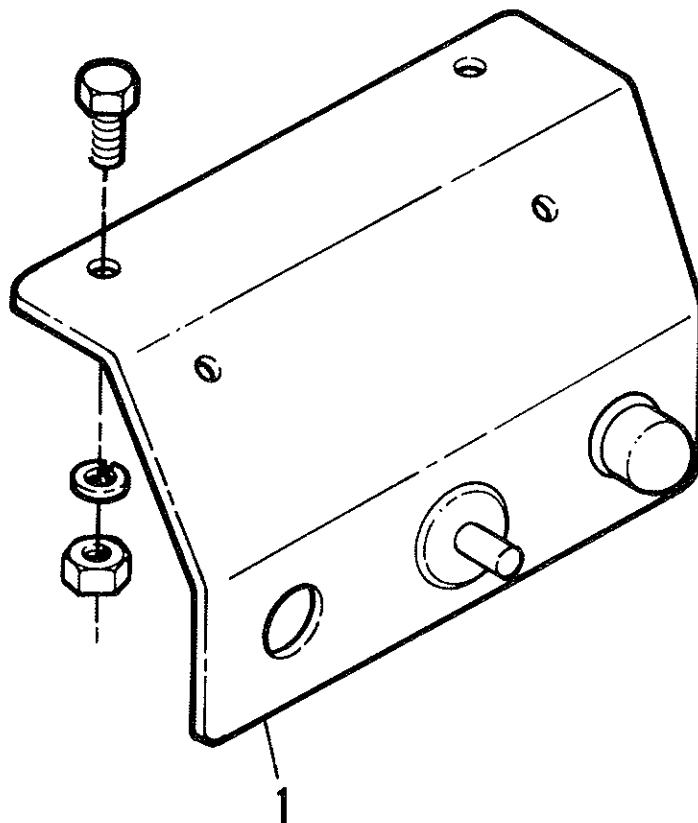
# Section VII - OPTIONAL EQUIPMENT DASHBOARD PANEL



| REF. NO. | NO. REQ'D. | PART NUMBER | DESCRIPTION                       |
|----------|------------|-------------|-----------------------------------|
| 1        | 1          | 0304155     | SWITCH PANEL HOUSING              |
| 2        | 2          | 0304156     | MTG. SCREW #10-32 X 3-3/8"        |
| 3        | 2          | 0304157     | LOCKWASHER, #10 EXT. TOOTH        |
| 4        | 2          | 0304158     | FLATWASHER, #10                   |
| 5        | 2          | 0304159     | SPACER TUBE                       |
| 6        | 2          | 0304160     | JAM NUT                           |
| 7        | 1          | 0304161     | ACTUATOR DISK                     |
| 8        | 1          | 0301421     | PTO CABLE, 14FT.                  |
| 9        | 1          | 0304163     | PTO KNOB                          |
| 10       | 2          | 0304162     | CIRCUIT BREAKER, 40 AMP           |
| 11       | 1          | 0304154     | SWITCH, DOUBLE POLE, SINGLE THROW |
| 12       | 2          | 0304006     | SWITCH, SINGLE POLE, SINGLE THROW |
| 13       | 1          | 0304164     | PTO LIGHT SWITCH                  |
| 14       | 1          | 0301503     | RING CONNECTOR                    |
| 15       | 3          | 0304165     | SPADE CONNECTOR                   |
| 16       | 2          | 0304166     | NUT, 10-32                        |

# Section VII - OPTIONAL EQUIPMENT

## PTO PANEL



| REF. NO. | NO. REQ'D. | PART NUMBER | DESCRIPTION      |
|----------|------------|-------------|------------------|
| 1        | 1          | 03011675    | PANEL (COMPLETE) |

# NOTES

Section VIII - SCHEMATICS  
801 HYDRAULIC SCHEMATIC

Lined area for notes, consisting of horizontal lines across the page.

**CENTURY  
WRECKER  
CORPORATION**

I-75 at Ooltewah Exit #11 • 8503 Hilltop Drive • Ooltewah, Tennessee 37363 • (615) 238-4171  
Mailing Address: P.O. Box 120 • Ooltewah, Tennessee 37363 • Telex: 856967 CENWKRTN UD