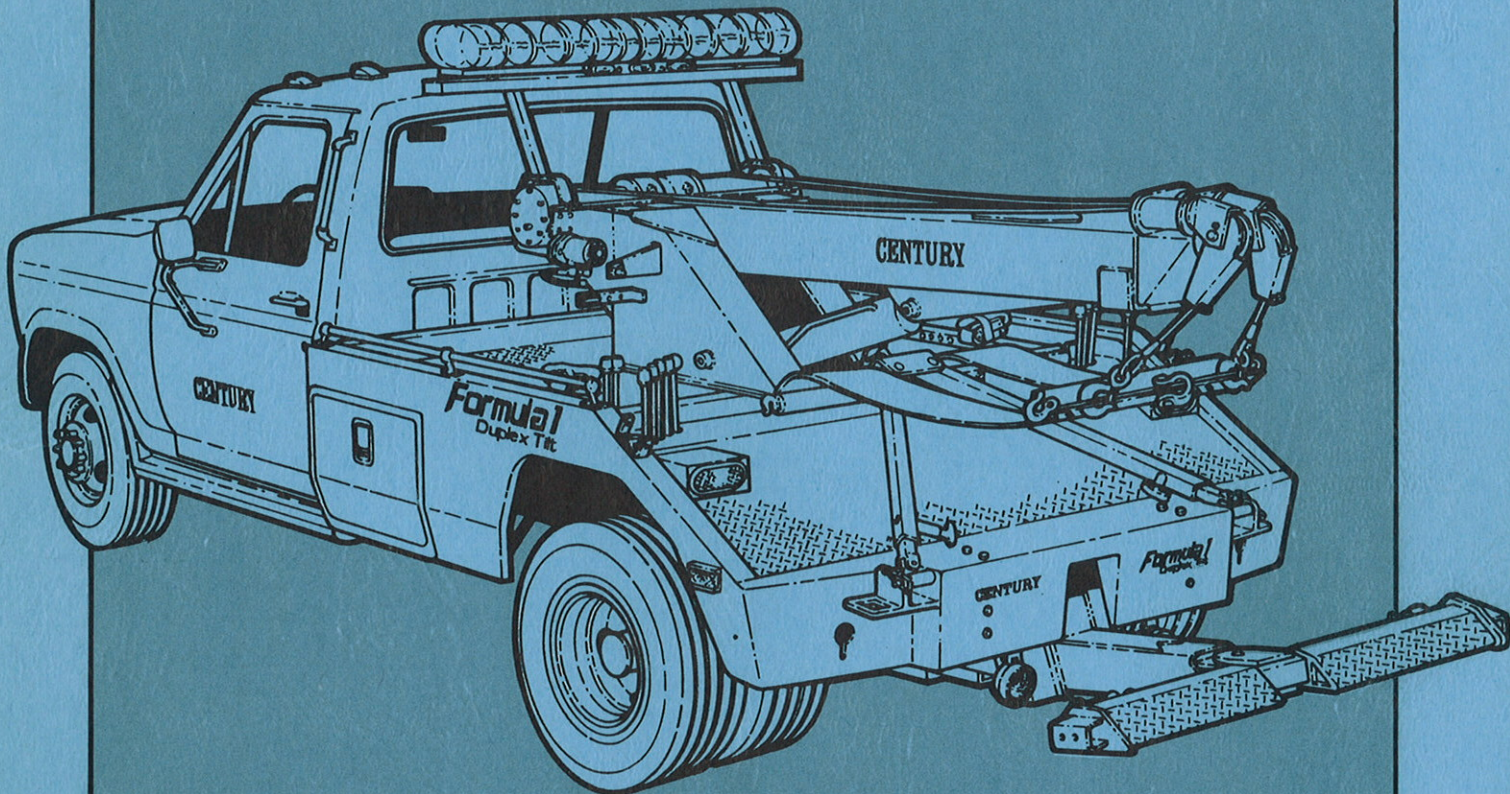


CENTURY®



OWNER'S MANUAL

SERIAL NO.

FORMULA 1, Duplex Tilt, Super Six & 500 Series

**CENTURY®
WRECKER
CORPORATION**

**Installation, Operation,
Maintenance & Parts**

I-75 at Ooltewah Exit #11 • 8503 Hilltop Drive • Ooltewah, Tennessee 37363 • (615) 238-4171

Mailing Address: P.O. Box 120 • Ooltewah, Tennessee 37363 • Telex: 856967 CENWKRTN UD

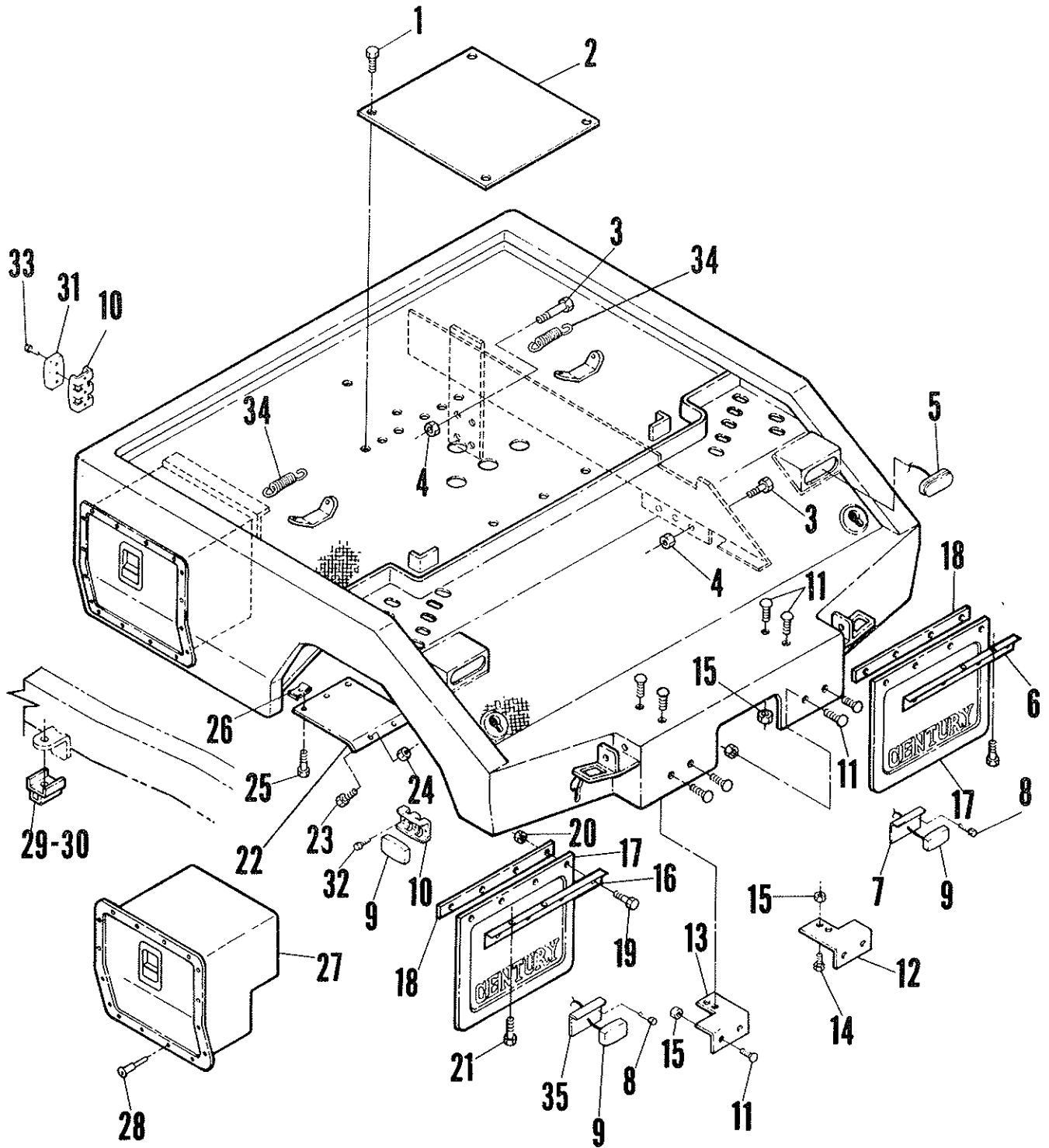
FORM NO. 0500287-F87

PRICE \$15.00

Section VI

PARTS

Section VI - PARTS- BODY ASSEMBLY FORMULA I, DUPLEX TILT, SUPER SIX & 500 SERIES

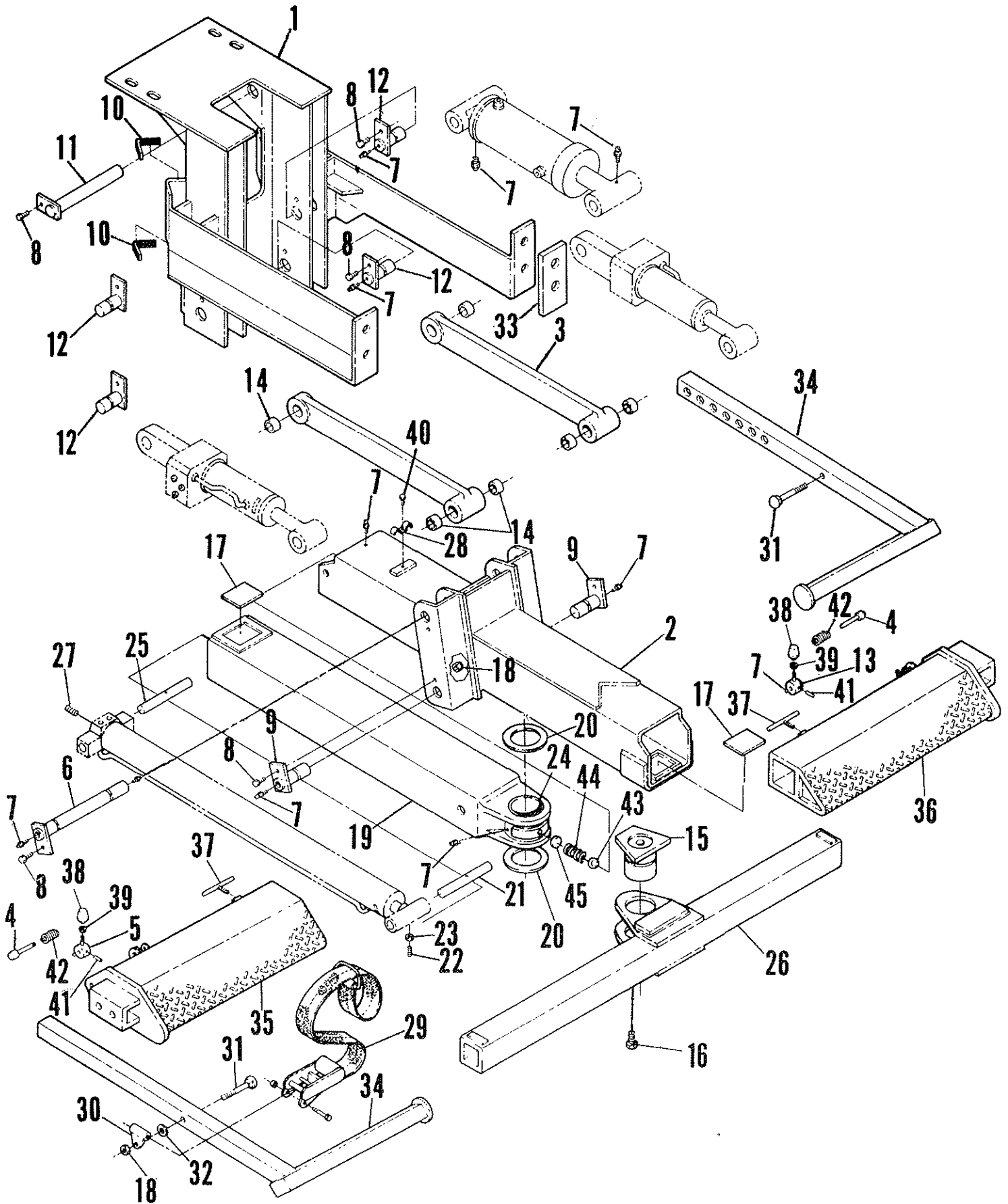


**Section VI - PARTS- BODY ASSEMBLY
 FORMULA I, DUPLEX TILT, SUPER SIX & 500 SERIES**

REF. NO.	NO. REQ'D.	PART NUMBER	DESCRIPTION
1	4	0400260	SCREW, 5/8"-11 X 2" LG. HX. HD. CAP, GR. 5 PL
2	1	0703220	PLATE, ACCESS HOLE COVER (FORMULA I. WHEEL LIFT ONLY)
3	14	0400260	SCREW, 5/8"-11 X 2" LG. HX. HD. CAP
4	14	0400421	NUT, 5/8"-11 NYLON LOCK
5	2	0301390	STOP & TURN LAMP
6	1	0702009	RIGHT MUD FLAP MTG. ANGLE (OPT)
7	1	0700160	BRACKET, RIGHT REAR CLEARANCE LIGHT
8	2	0400132	SCREW, 3/8"-16 X 1 1/2" LG. HEX. HD. CAP
9	4	0300427	MARKER LIGHT, RED
10	4	0300242	GUARDS, MARKER LIGHT (OPT)
11	8	0400201	SCREW, 1/2"-13 X 1 1/2" LG. CARRIAGE BOLT
12	1	0702752	TAILGATE BOLTING ANGLE, R.H.
13	1	0702751	TAILGATE BOLTING ANGLE, L.H.
14	4	0400188	SCREW, 1/2"-13 X 2" LG. HEX. HD. CAP. GR. 5
15	12	0400408	NUT, 1/2"-13 NYLON LOCK
16	1	0702008	LEFT MUD FLAP MTG. ANGLE (OPT.)
17	2	0301447	MUD FLAP (OPT.)
18	2	0700554	MUD FLAP BAR (OPT.)
19	8	0400122	SCREW, 3/8"-16 X 1 1/4" LG. HEX. HD. CAP
20	12	0400392	NUT, 3/8"-16 NYLON LOCK
21	4	0400126	SCREW, 3/8"-16 X 1" LG. HEX. HD. CAP
22	2	0701924	TOP MUD GUARD
23	4	0400066	SCREW, 1/4"-20 X 3/4" LG. HEX. HD. CAP
24	4	0400367	NUT, 1/4"-20 NYLON LOCK
25	6	0400060	SCREW, 1/4"-20 X 1/2" LG.
26	6	0400369	TINNERMAN CLIP, 1/4" "J" TYPE
27	1	0900486	10" OFFSET TOOL BOX (L.H. STD./R.H. OPT.)
28	16	0400567	RIVET, POP
29	4	0800649	SPRING SPACER, FORD
30	4	0800650	SPRING SPACER, CHEVY/GMC
31	2	0300428	MARKER LIGHT, AMBER
32	8	0400042	SCREW, #10-24 X 1/2" LG. (OPT.)
33	12	0400045	SCREW, #10-32 X 3/8" LG. THRD. CUTTING
34	2	0301416	SPRING, STOW BRKT.
35	1	0700159	LT. CLEAR LIGHT BRACKET

Section VI - PARTS

WHEEL LIFT ASSEMBLY — DUPLEX TILT



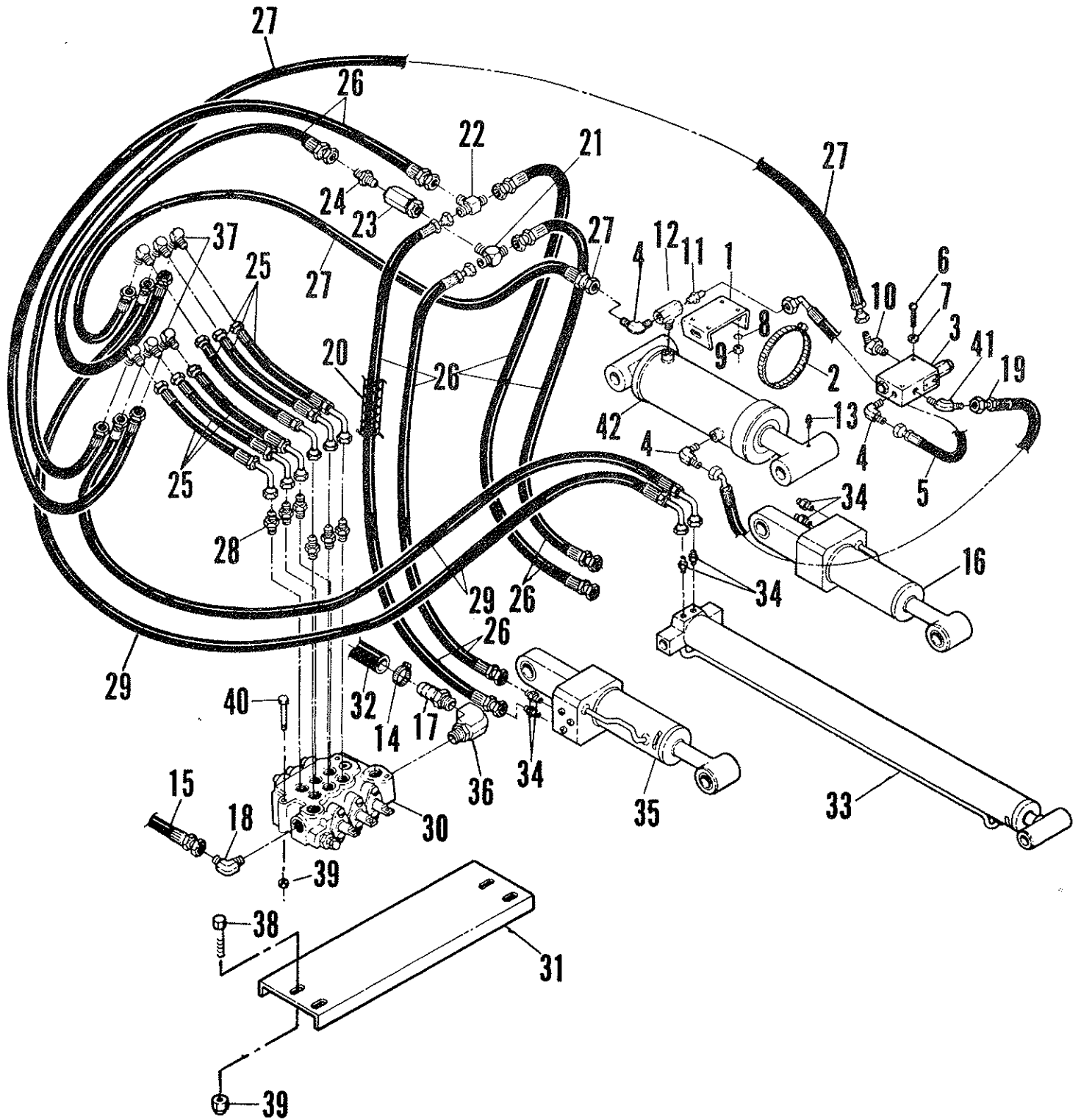
Section VI - PARTS

WHEEL LIFT ASSEMBLY — DUPLEX TILT

REF. NO.	NO. REQ'D.	PART NUMBER	DESCRIPTION
1	1	0801006	FRAME WELDMENT
2	1	0801004	OUTER BOOM WELDMENT
3	2	0900883	UPPER ARM ASS'Y - INCLUDES ITEMS 25 & 26
4	2	0701916	PLUNGER PIN
5	1	0800837	LEFT PLUNGER HANDLE
6	1	0801009	UPPER SHAFT WELDMENT, BOOM
7	13	0300113	GREASE FTG., 1/4" - 28 STR.
8	8	0400141	SCREW, 3/8"-16 X 7/8" LG. GR. 5 PL. CAP
9	2	0801010	LOWER SHAFT WELDMENT, BOOM
10	4	0703422	HOSE GUARD
11	1	0801012	SHAFT, LIFT CYLINDER
12	4	0801011	SHAFT WELDMENT, ARM
13	1	0800838	RIGHT PLUNGER HANDLE
14	6	0301845	BUSHING
15	1	0801073	PIN, CROSS TUBE PIVOT
16	2	0701956	SCREW, 1/2"-13 X 1" LG. HEX. HD. CAP. GR. 5
17	2	0301850	SLIDE PAD, NYLATRON
18	10	0400390	JAM LOCK NUT, 3/8"-16 NC HEX., PL.
19	1	0801076	INNER BOOM WELDMENT — INCLUDES ITEM 24
20	2	0703640	THRUST WASHER
21	1	0702131	SHAFT, CYLINDER
22	1	0400139	SET SCREW, 3/8" - 16 NC X 1 1/2" LG. ALLEN HD.
23	1	0400392	LOCKNUT, 3/8"-16 NC NYLOK, PL.
24	1	0301914	BUSHING
25	1	0703345	SHAFT, EXTEND CYLINDER
26	1	0801074	CROSS TUBE, INNER WELDMENT, DUPLEX TILT
27	1	0400129	SET SCREW, 3/8" - 16 NC X 3/4" CUP POINT ALLEN HD.
28	2	0301601	CLAMP
29	2	0301399	TIE DOWN RATCHET, STRAP, NUT, SCREW
30	2	0800583	TIE DOWN PIVOT
31	2	0400161	SCREW, 3/8"-16 X 2 3/4" CARRIAGE BOLT
32	2	0400480	WASHER, 3/8" FLAT
*33	---	0701941	WHEEL LIFT MTG. SPACER
34	2	0800897	TIRE RESTRAINT
35	1	0800912	LEFT OUTER CROSS TUBE
36	1	0800913	RIGHT OUTER CROSS TUBE
37	2	0800590	TEE HANDLE
38	2	0300341	KNOB
39	2	0400393	NUT, 3/8"-16 JAM
40	1	0400060	SCREW, 1/4"-20 NC X 1/2" LG. GR. 5 PL. CAP
41	2	0400560	ROLL PIN, 5/32" X 1"
42	2	0301417	PLUNGER SPRING
43	1	0301398	BALL, DETENT
44	1	0301197	SPRING, DETENT
45	1	0702546	SPACER

* Used as needed in centering Wheel Lift (Left-to-Right).

Section VI - PARTS WHEEL LIFT / DUPLEX TILT HYDRAULICS

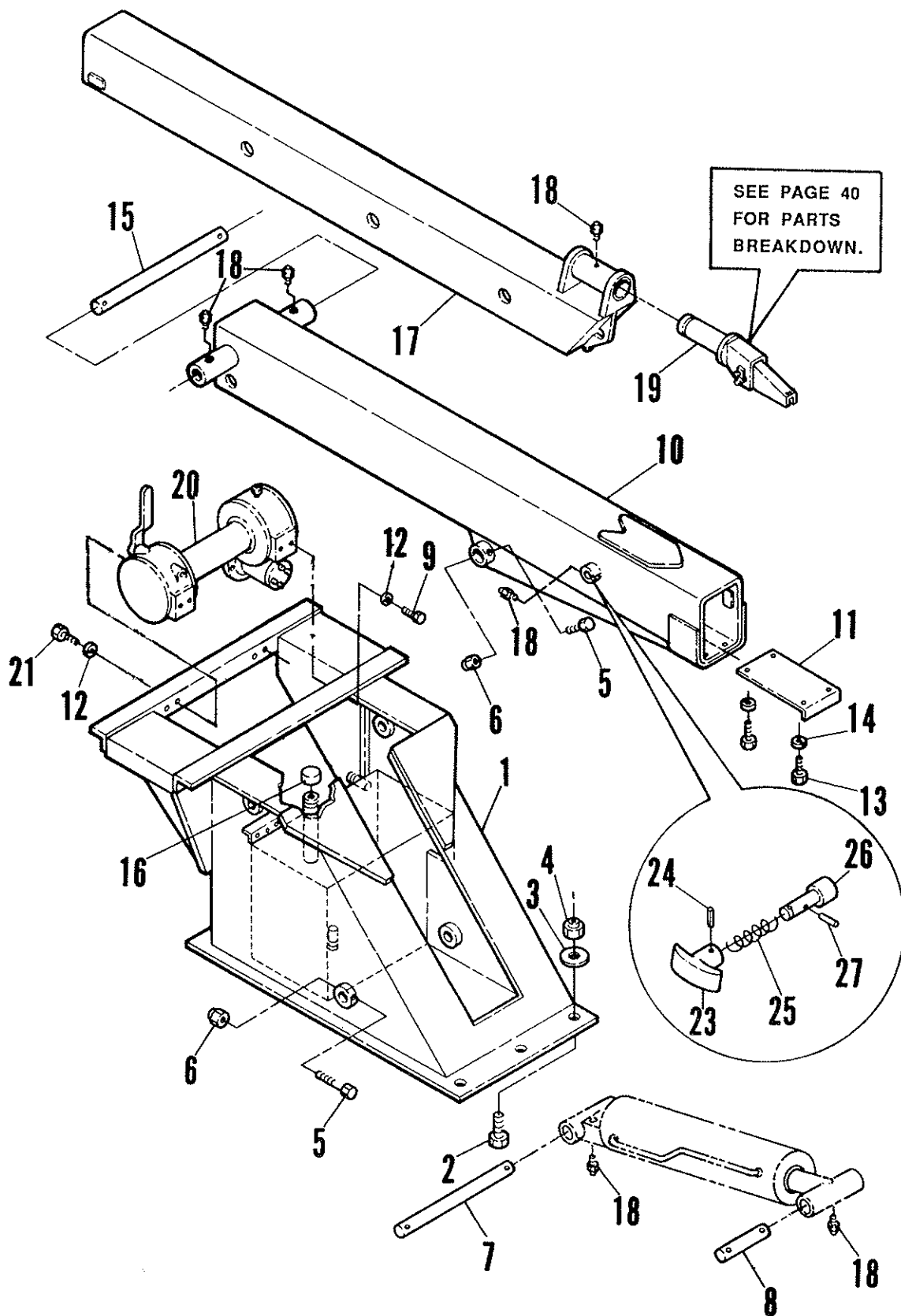


Section VI - PARTS

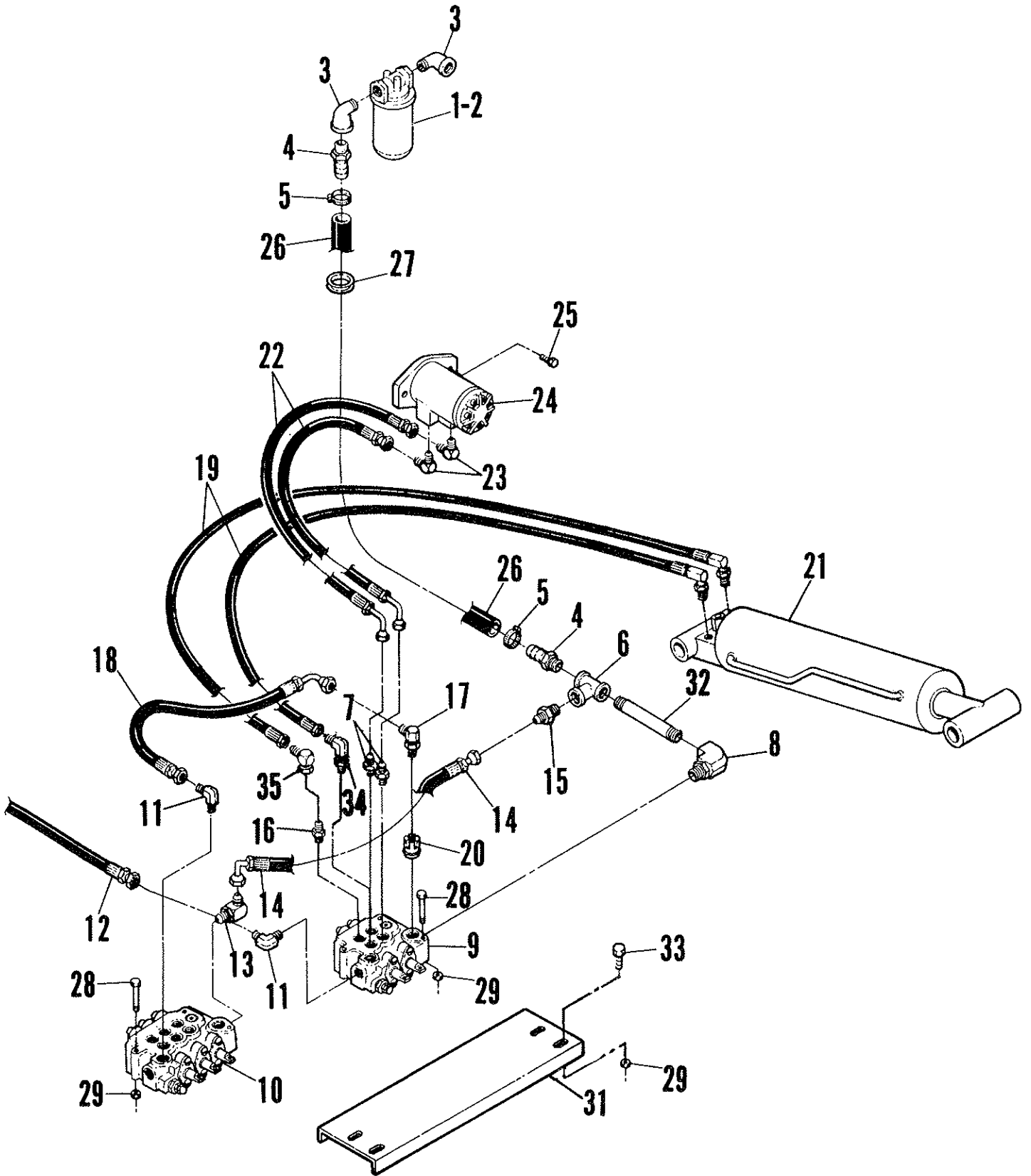
WHEEL LIFT / DUPLEX TILT HYDRAULICS

REF. NO.	NO. REQ'D.	PART NUMBER	DESCRIPTION
1	1	0703001	BRACKET, CHECK VALVE MOUNTING
2	1	0300133	CLAMP, BRACKET
3	1	0301731	HOLDING VALVE
4	3	0300142	ELBOW, 1/4" NPT X 3/8" J.I.C. 90°
5	1	0301473	HOSE, LIFT CYLINDER (18" LG.)
6	2	0400064	SCREW, 1/4" - 20 NC X 2 1/4" LG. RD. HD. PL.
7	2	0400451	FLAT WASHER, 1/4" PL.
8	2	0400452	LOCKWASHER, 1/4" PL.
9	2	0400366	NUT, 1/4" - 20 NC HEX. PL.
10	1	0301848	ELBOW, 3/8" J.I.C. X 3/8" NPT, 45°
11	1	0301424	CONNECTOR, 1/4" NPT X 3/8" J.I.C. STR.
12	1	0301868	TEE, 1/4" FEM. NPT X 1/4" FEM. NPT X 1/4" MALE NPT
13	2	0300113	GREASE FTG., 1/4"-28 STR.
14	2	0300071	HOSE CLAMP, 1"
15	1	0300165	HOSE ASSEMBLY
16	1	0301824	TILT CYLINDER, L.H.
17	1	0300055	HOSE BARB, 3/4" NPT
18	1	0300052	ELBOW, 1/2" J.I.C. X 3/8" SAE O-RING STR. 90°
19	1	0301900	HOSE ASSEMBLY 5000 PSI
20	4	0301580	SCUFF JACKET
21	1	0301855	TEE
22	1	0301377	TEE
23	1	0301854	RESTRICTOR VALVE
24	1	0301425	CONNECTOR
25	6	0301908	HOSE ASSEMBLY
26	6	0301902	HOSE ASSEMBLY
27	2	0301402	HOSE ASSEMBLY
28	6	0300044	CONNECTOR
29	2	0301485	HOSE ASSEMBLY
30	1	0300010	3-SPOOL VALVE
31	1	0703896	VALVE MOUNTING CHANNEL
32	1	0300057	RETURN HOSE, 3/4" I.D. X 47" LG.
33	1	0301825	CYLINDER, EXTEND
34	6	0301522	CONNECTOR, 3/8" S.A.E. "O" RING X 3/8" J.I.C.M
35	1	0301823	CYLINDER, TILT, R.H.
36	1	0301375	ELBOW, 3/4" SAE X 3/4" NPT, 90°
37	6	0301413	ELBOW, 3/8" JIC M (BOTH ENDS)
38	4	0400126	SCREW, 3/8"-16 NC X 1" GR. 5 CAP
39	7	0400392	3/8"-16 NC HEX. NUT, NYLOK PL.
40	3	0400140	SCREW, 3/8"-16 NC X 4" GR. 5 CAP
41	1	0300209	ELBOW, 3/8" JIC X 3/8" NPT, 90°
42	1	0301484	CYLINDER, LIFT

Section VI - PARTS SUPER SIX WRECKER



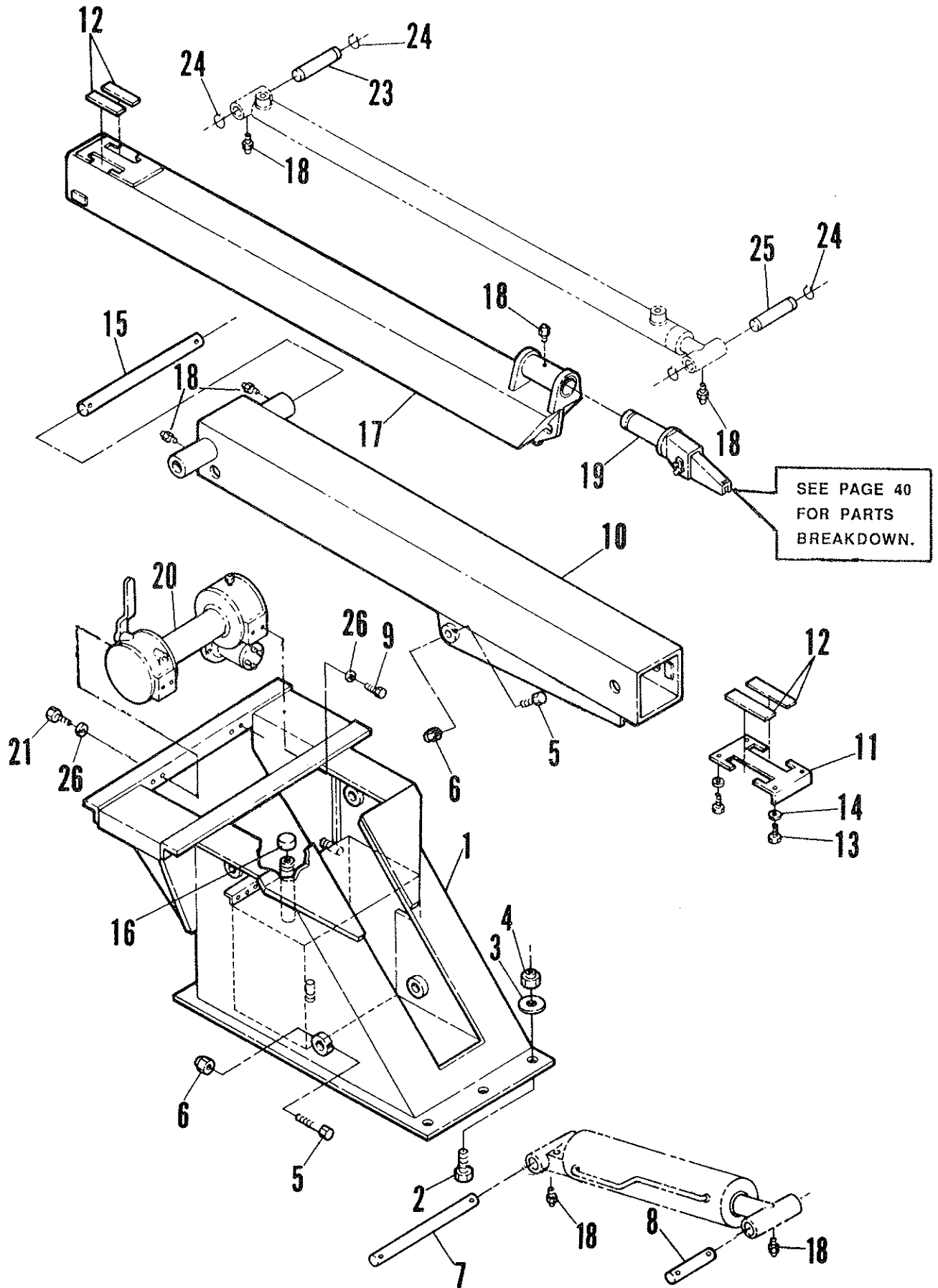
Section VI - PARTS SUPER SIX HYDRAULICS



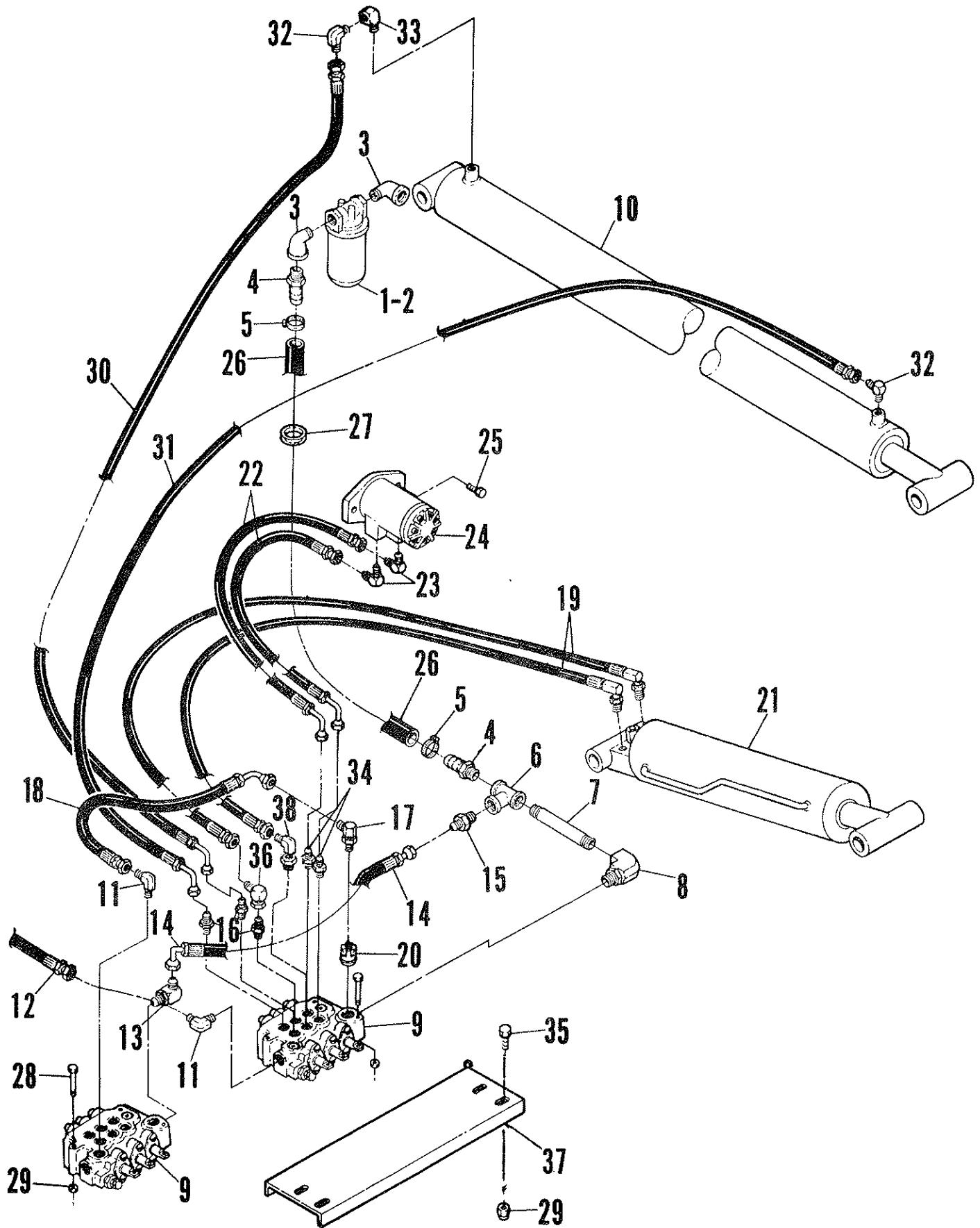
Section VI - PARTS SUPER SIX HYDRAULICS

REF. NO.	NO. REQ'D.	PART NUMBER	DESCRIPTION
1	1	0300136	OIL FILTER ASS'Y
2	1	0300135	FILTER REPLACEMENT CARTRIDGE
3	2	0300288	STREET ELBOW, 3/4" NPT
4	2	0300055	HOSE BARB, 3/4" HOSE-3/4" NPT
5	2	0300071	HOSE CLAMP, 1"
6	1	0301387	TEE, 3/4" FEM. NPT
7	2	0300041	CONNECTOR, 1/2" S.A.E. X 1/2" J.I.C.
8	1	0301375	ELBOW, 3/4" SAE MALE X 3/4" NPT. FEM. 90°
9	1	0301415	VALVE, 2 SPOOL
10	1	0300010	VALVE, 3 SPOOL
11	2	0300052	ELBOW, 5/8" SAE MALE X 1/2" J.I.C. MALE 90°
12	1	0300165	HIGH PRESSURE HOSE
13	1	0300814	ELBOW, 3/4" SAE X 1/2" J.I.C. MALE 90°
14	1	0301790	HOSE, 1/2" J.I.C. X 1/2" J.I.C. 90° X 17" LG.
15	1	0301881	CONNECTOR, 3/4" NPT MALE X 1/2" J.I.C. MALE STR.
16	7	0300044	CONNECTOR, 1/2" S.A.E. "O" RING X 3/8" J.I.C.M
17	1	0301388	ELBOW, 1/2" SAE "O" RING M X 1/2" J.I.C.M 90°
18	1	0301471	HOSE, 1/2" J.I.C. X 1/2" J.I.C. 90° X 30" LG.
19	2	0301784	HOSE, LIFT CYL.
20	1	0300286	ADAPTOR, H.P.C.O.
21	1	0301756	BOOM LIFT CYL.
22	2	0301207	HOSE, WINCH MOTOR
23	2	0300229	ELBOW, 1/2"
24	1	0300090	MOTOR, HYDRAULIC
25	2	0400177	SCREW, 1/2"-13 X 1 1/4" LG. HEX. HD. CAP. GR. 5
26	1	0300057	RETURN HOSE, 3/4" I.D. X 47" LG.
27	1	0300124	GROMMET, SPLIT
28	6	0400140	SCREW, 3/8"-16 X 4" LG. HEX. HD. CAP. GR. 5
29	10	0400392	NUT, 3/8"-16 NYLON LOCK
30	1	0703896	VALVE MOUNTING CHANNEL
31	1	0301899	NIPPLE, 3.4" X 5" LG. NPT
32	4	0400126	SCREW, 3/8"-16 NC X 1" GR. 5 PL.
33	1	0301470	ELBOW, 1/2" SAE X 3/8" JIC, 90°
34	1	0301696	ELBOW, 3/8" JIC MALE X 3/8" JIC FEMALE 90°

Section VI-PARTS 501 - FI WRECKER



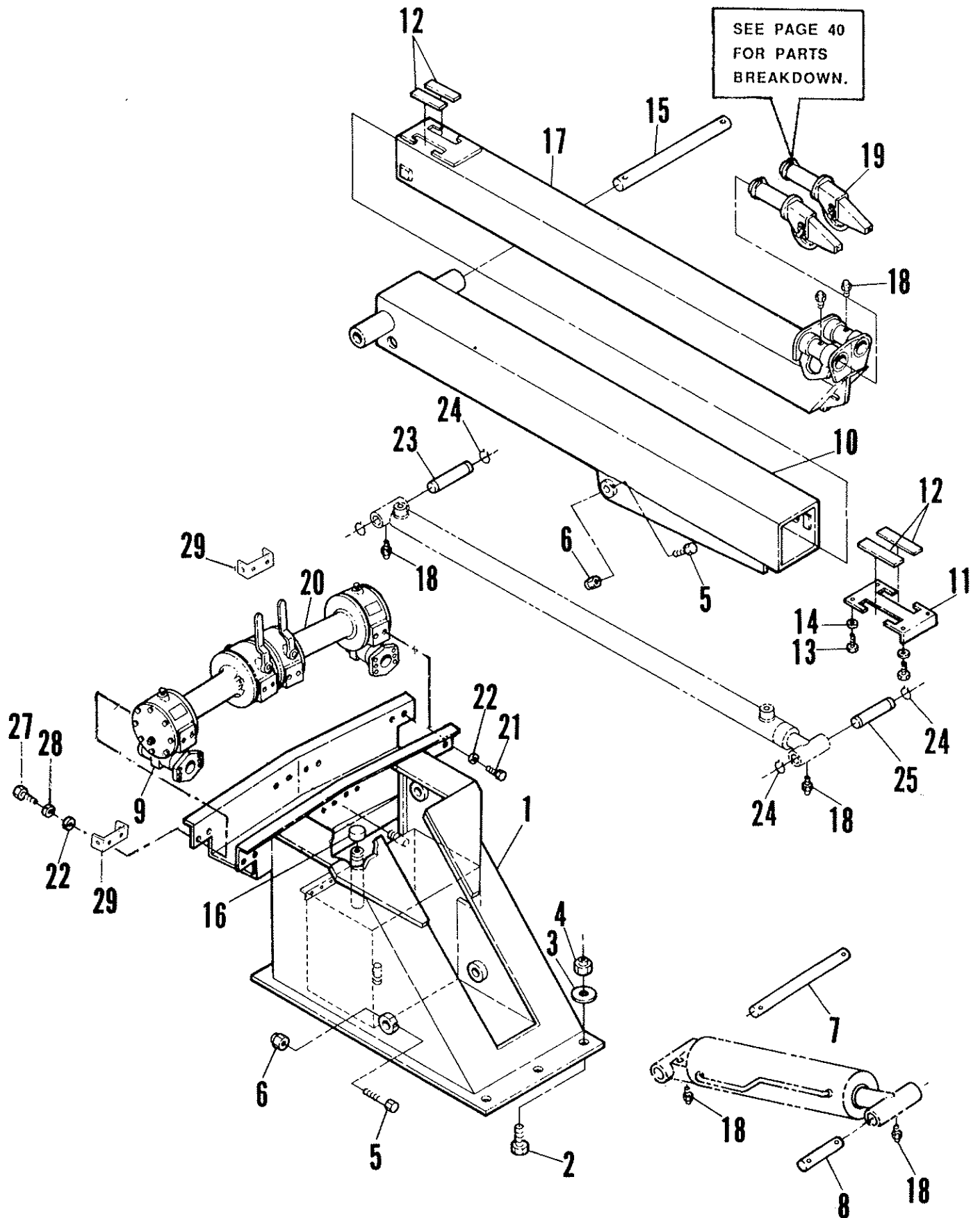
Section VI - 501 - FI HYDRAULICS



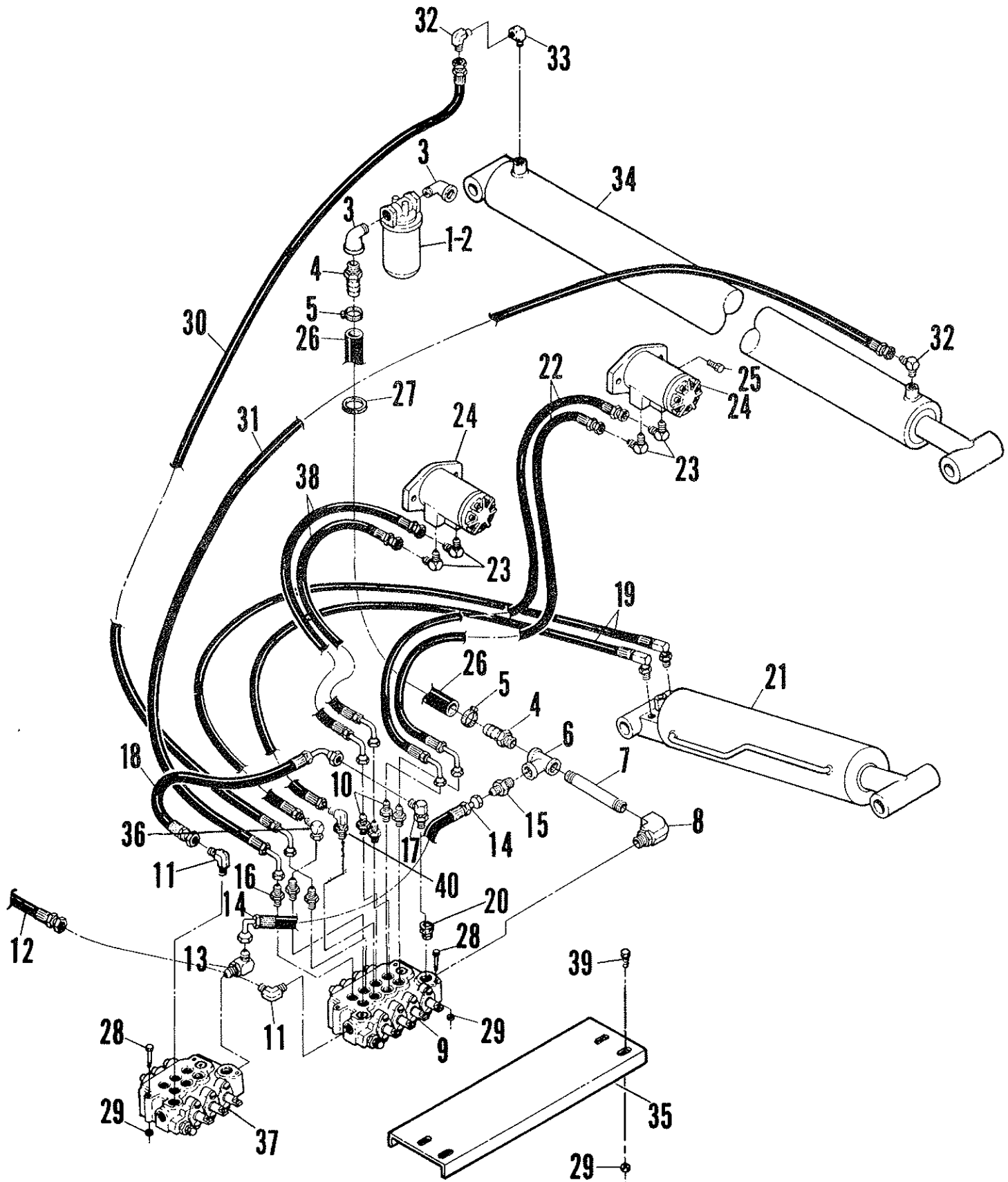
Section VI - 501 - FI HYDRAULICS

REF. NO.	NO. REQ'D.	PART NUMBER	DESCRIPTION
1	1	0300136	OIL FILTER ASS'Y
2	1	0300135	FILTER REPLACEMENT CARTRIDGE
3	2	0300288	STREET ELBOW, 3/4" NPT
4	2	0300055	HOSE BARB, 3/4" HOSE-3/4" NPT
5	2	0300071	HOSE CLAMP, 1"
6	1	0301387	TEE, 3/4" FEM. NPT
7	1	0301899	NIPPLE, 3/4" X 5" LG. NPT
8	1	0301375	ELBOW, 3/4" SAE MALE X 3/4" NPT. FEM. 90°
9	2	0300010	VALVE, 3 SPOOL
10	1	0301755	BOOM EXTEND CYL.
11	2	0300052	ELBOW, 3/8" SAE MALE X 1/2" J.I.C. MALE 90°
12	1	0300165	HIGH PRESSURE HOSE
13	1	0300814	ELBOW, 3/4" SAE X 1/2" J.I.C. MALE 90°
14	1	0301790	HOSE, 1/2" J.I.C. X 1/2" J.I.C. 90° X 17" LG.
15	1	0301881	CONNECTOR, 3/4" NPT MALE X 1/2" J.I.C. MALE STR.
16	3	0300044	CONNECTOR, 1/2" S.A.E. "O" RING X 3/8" J.I.C.M
17	1	0301388	ELBOW, 1/2" SAE "O" RING M X 1/2" J.I.C.M 90°
18	1	0301471	HOSE, 1/2" J.I.C. X 1/2" J.I.C. 90° X 30" LG.
19	2	0301784	HOSE, LIFT CYL.
20	1	0300286	ADAPTOR, H.P.C.O.
21	1	0301756	BOOM LIFT CYL.
22	2	0301207	HOSE, WINCH MOTOR
23	2	0300229	ELBOW, 1/2"
24	1	0300090	MOTOR, HYDRAULIC
25	2	0400177	SCREW, 1/2"-13 X 1 1/4" LG. HEX. HD. CAP. GR. 5
26	1	0300057	RETURN HOSE, 3/4" I.D. X 47" LG.
27	1	0300124	GROMMET, SPLIT
28	6	0400140	SCREW, 3/8"-16 X 4" LG. HEX. HD. CAP. GR. 5
29	10	0400392	NUT, 3/8"-16 NYLON LOCK
30	1	0301964	HOSE, 3/8" J.I.C. X 3/8" J.I.C. 90° x 62" LG.
31	1	0301965	HOSE, 3/8" J.I.C. X 3/8" J.I.C. 90° X 128" LG.
32	2	0300142	ELBOW, 1/4" NPT MALE X 3/8" J.I.C. MALE 90°
33	1	0300147	STREET ELBOW, 1/4" NPT FEM. X 1/4" NPT. MALE
34	2	0300041	CONNECTOR, 1/2" S.A.E. "O" RING x 1/2" J.I.C.
35	4	0400126	SCREW, 3/8"-16 NC X 1" GR. 5 CAP
36	1	0301696	ELBOW, 90°
37	1	0703896	VALVE MOUNTING CHANNEL
38	1	0301470	ELBOW, 1/2" SAE X 3/8" JIC 90°

Section VI - PARTS 502 - FI WRECKER



Section VI - PARTS 502 - FI HYDRAULICS

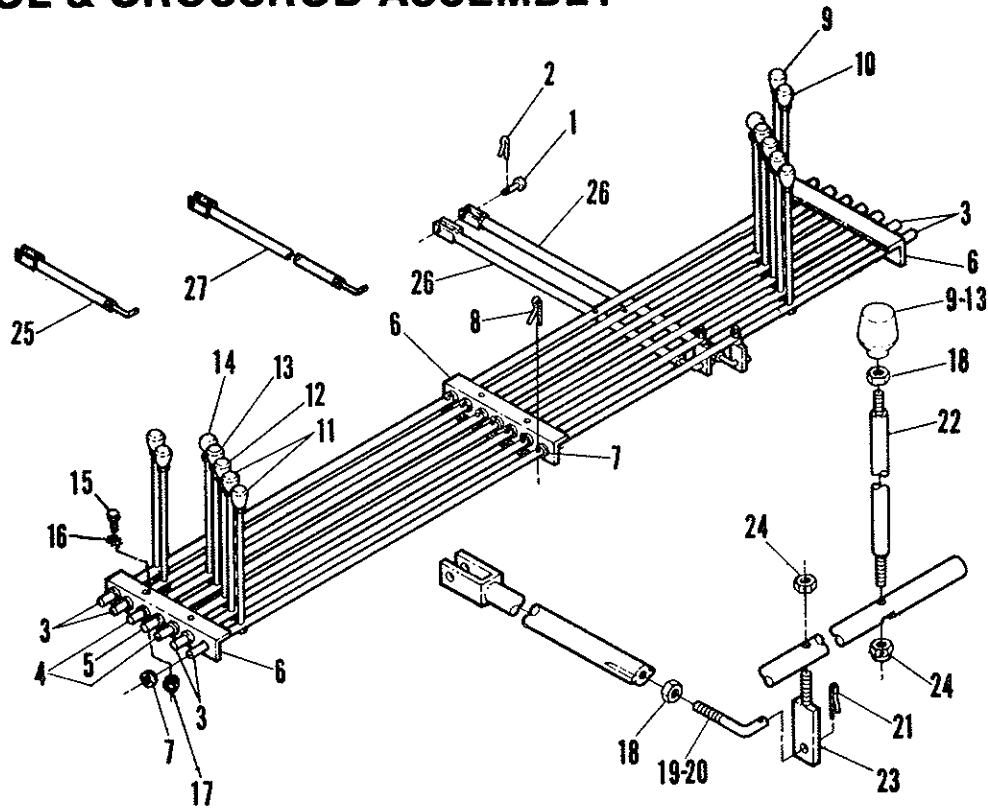


Section VI - PARTS 502 - FI HYDRAULICS

REF. NO.	NO. REQ'D.	PART NUMBER	DESCRIPTION
1	1	0300136	OIL FILTER ASS'Y
2	1	0300135	FILTER REPLACEMENT CARTRIDGE
3	2	0300288	STREET ELBOW, 3/4" NPT
4	2	0300055	HOSE BARB, 3/4" HOSE - 3/4" NPT
5	2	0300071	HOSE CLAMP, 1"
6	1	0301387	TEE, 3/4" FEM, NPT
7	1	0301899	NIPPLE, 3/4" x 5" LG. NPT
8	1	0301375	ELBOW, 3/4" SAE MALE x 3/4" NPT FEM 90°
9	1	0300011	VALVE, 4 SPOOL
10	4	0300041	CONNECTOR, 1/2" S.A.E. "O" RING x 1/2" J.I.C.
11	2	0300052	ELBOW, 3/8" SAE MALE x 1/2" J.I.C. MALE 90°
12	1	0300165	HIGH PRESSURE HOSE
13	1	0300814	ELBOW, 3/4" SAE x 1/2" J.I.C. MALE 90°
14	1	0301790	HOSE, 1/2" J.I.C. x 1/2" J.I.C. 90° x 17" LG.
15	1	0301881	CONNECTOR, 3/4" NPT MALE 1/2" J.I.C. MALE STR.
16	3	0300044	CONNECTOR, 1/2" S.A.E. "O" RING x 3/8" J.I.C. M
17	1	0301388	ELBOW, 1/2" SAE "O" RING M x 1/2" J.I.C. M 90°
18	1	0301471	HOSE, 1/2" J.I.C. x 1/2" J.I.C. 90° x 30" LG.
19	2	0301784	HOSE, LIFT CYLINDER
20	1	0300286	ADAPTOR, H.P.C.O.
21	1	0301756	BOOM LIFT CYLINDER
22	2	0301207	HOSE, WINCH MOTOR
23	4	0300229	ELBOW, 1/2"
24	2	0300090	MOTOR, HYDRAULIC
25	4	0400177	SCREW, 1/2"-13 x 1 1/4" LG. HEX, HD, CAP, GR. 5
26	1	0300057	RETURN HOSE, 3/4" I.D. x 47" LG.
27	1	0300124	GROMMET, SPLIT
28	6	0400140	SCREW, 3/8"-16 x 4" LG. HEX, HD, CAP, GR. 5
29	10	0400392	NUT, 3/8"-16 NYLON LOCK
30	1	0301964	HOSE, 3/8" J.I.C. x 3/8" J.I.C. 90° x 62" LG.
31	1	0301965	HOSE, 3/8" J.I.C. x 3/8" J.I.C. 90° x 128" LG.
32	1	0300142	ELBOW, 1/4" NPT MALE x 3/8" J.I.C. 90°
33	1	0300147	STREET ELBOW, 1/2" NPT FEM. x 1/2" NPT MALE
34	1	0301755	BOOM EXTEND CYLINDER
35	1	0703896	VALVE MOUNTING CHANNEL
36	1	0301696	ELBOW, 3/8" J.I.C. (MALE) X 3/8" J.I.C. (FEMALE), 90°
37	1	0300010	VALVE, 3-SPOOL
38	2	0301893	WINCH MOTOR HOSE L.H.
39	4	0400126	SCREW, 3/8"-16 NC X 1" LG. GR. 5 PL. CAP
40	1	0301470	ELBOW, 1/2" SAE X 3/8" J.I.C. 90°

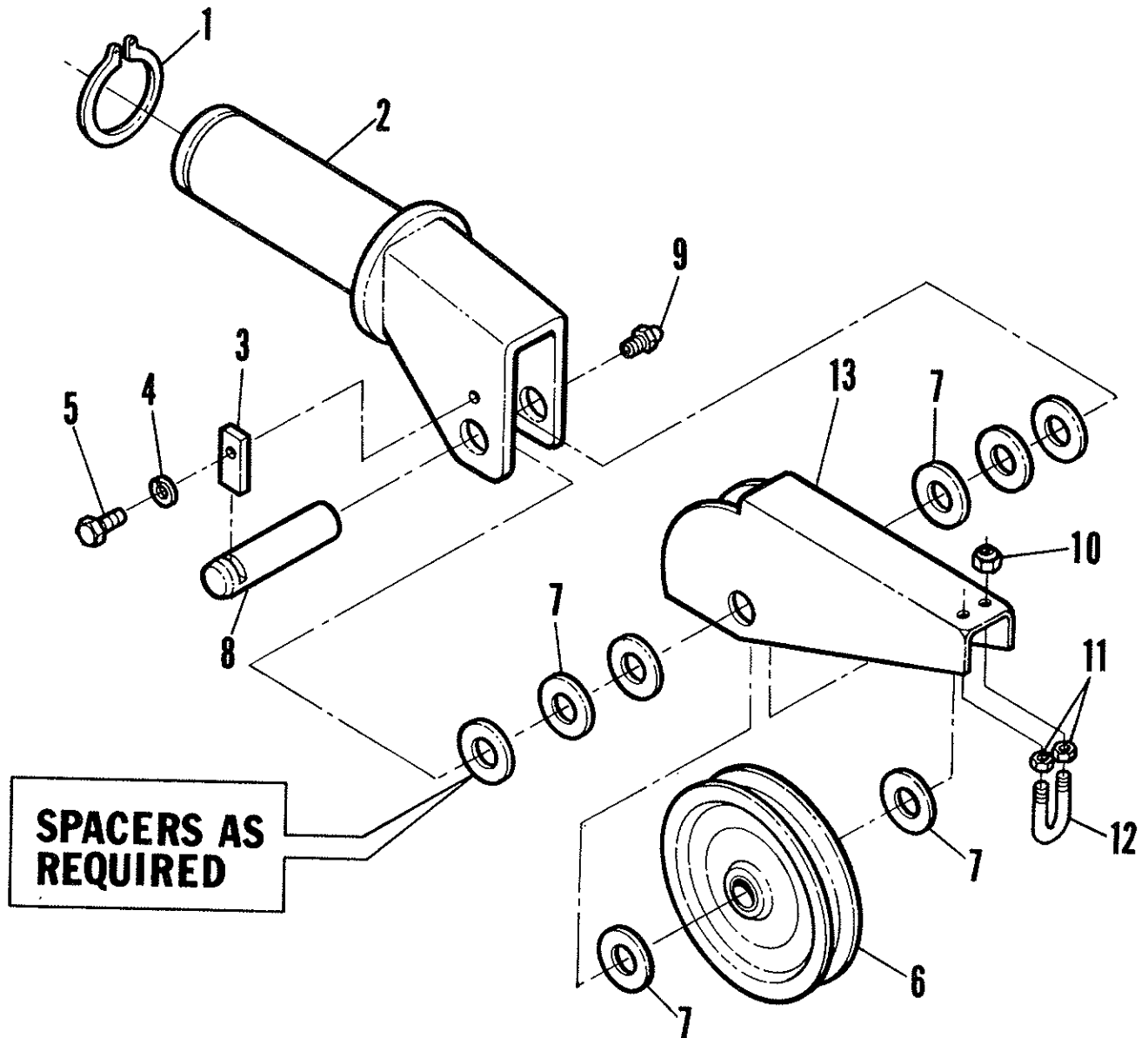
Section VI - PARTS

CONTROL & CROSSROD ASSEMBLY



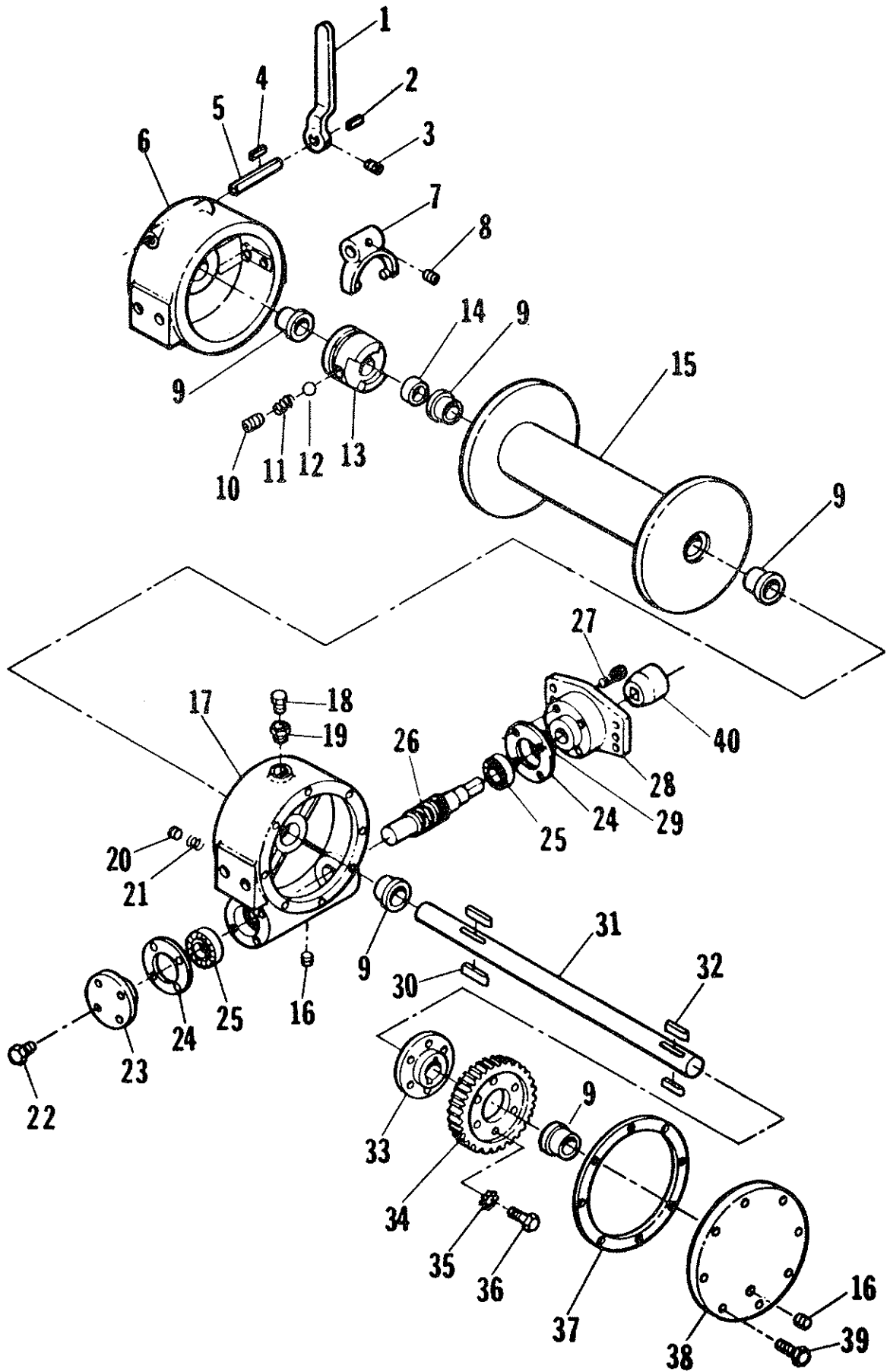
REF. NO.	NO. REQ'D.	PART NUMBER	DESCRIPTION
1	7	0400532	CLEVIS PIN, 5/16" X 1"
2	7	0400541	COTTER PIN, 1/16" X 3/4"
3	4	0703523	CROSSROD —WRECKER
4	2	0703521	CROSSROD—W/L
5	1	0703522	CROSSROD-W/L
6	3	0703501	ANGLE, CROSS CONTROL
7	21	0300122	GROMMET, SPLIT PLASTIC
8	14	0400539	COTTER PIN, 3/16" X 1-1/2"
9	2	0300837	KNOB, WRECKER BOOM "IN-OUT" (BLACK)
10	2	0300835	KNOB, WRECKER BOOM "UP-DN" (BLACK)
11	2	0300834	KNOB, CABLE "IN-OUT" (RED)
12	2	0301428	KNOB, W/L "UP—DN" (GREY)
13	2	0301429	KNOB, W/L "IN—OUT" (GREY)
14	2	0301720	KNOB, W/L "TILT" (ROUND BLACK)
15	6	0400126	SCREW, 3/8"-16 X 1" LG. HEX. HEAD
16	6	0400481	LOCKWASHER, 3/8" EXTERNAL TOOTH
17	6	0400392	NUT, 3/8"-16 NYLON LOCK
18	21	0400393	NUT, 3/8"-16 JAM
19	--	0701099	EXTENSION, CONTROL ROD LONG
20	--	0701927	EXTENSION, CONTROL ROD SHORT
21	7	0400543	COTTER PIN, 1/8" X 3/4"
22	14	0701929	LEVER, CONTROL
23	7	0800604	ARM, CROSS CONTROL
24	21	0400390	NUT, 3/8"-16 JAM ESLOK
25	--	0800612	CONTROL ROD SHORT
26	--	0800613	CONTROL ROD LONG
27	--	0800955	CONTROL ROD MED.

Section VI - PARTS BOOM END ASSEMBLY

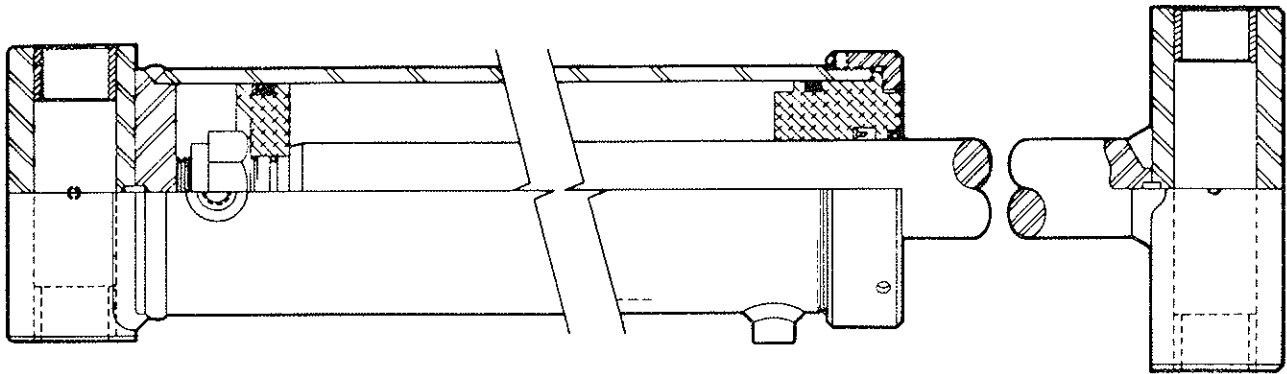


REF. NO.	NO. REQ'D.	PART NUMBER	DESCRIPTION
1	1	0300108	SNAP RING, 2-1/2" DIA., EXT.
2	1	0800003	BOOM END SWIVEL
3	1	0700032	SHAFT RETAINER
4	1	0400452	1/4" LOCKWASHER
5	1	0400060	1/4"-20 NC X 1/2" HEX. HD. CAP SCREW GR. 5
6	1	0300022	6" SHEAVE
7	2	0700166	WASHER - SPACER
8	1	0700056	SHAFT
9	1	0300113	GREASE FITTING
10	2	0400392	3/8"-16 NC HEX. NYLOC NUT
11	2	0400393	3/8"-16 NC HEX. JAM NUT
12	1	0301531	"U" BOLT (FROM 3/8" CABLE CLAMP)
13	1	0800735	CABLE GUIDE

Section VI - PARTS HYDRAULIC WINCH

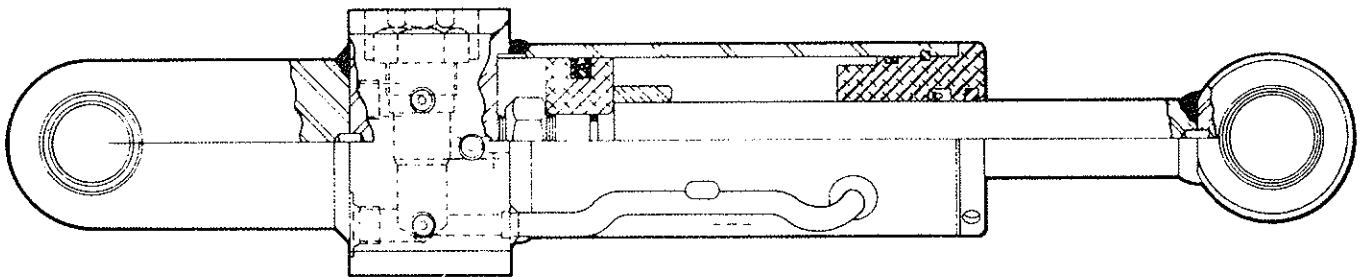


Section VI - PARTS
FORMULA I - DUPLEX TILT WHEEL LIFT
HYDRAULIC CYLINDERS



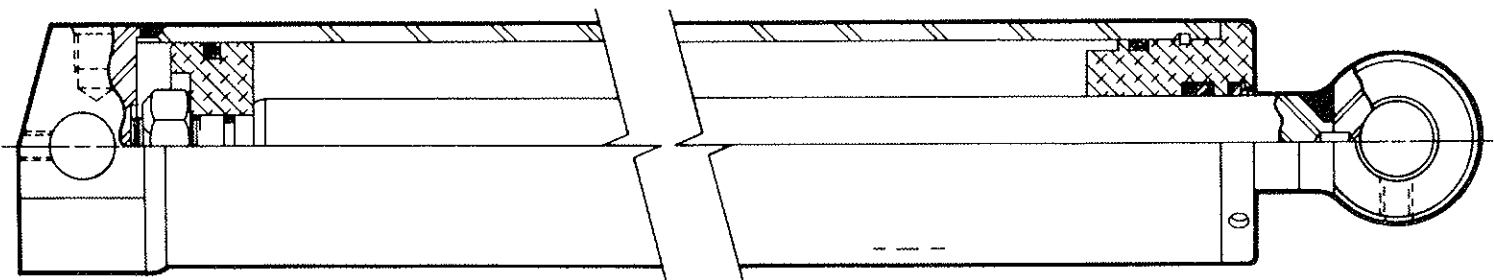
W/L LIFT CYLINDER

REF. NO.	NO. REQ'D.	PART NUMBER	DESCRIPTION
1	1	0301484	HYDRAULIC CYLINDER, LIFT (COMPLETE)
2	1	0304181	SEAL KIT, LIFT CYLINDER



W/L TILT CYLINDER

REF. NO.	NO. REQ'D.	PART NUMBER	DESCRIPTION
1	1	0301824	HYDRAULIC CYLINDER, TILT (COMPLETE) L. H.
2	1	0301823	HYDRAULIC CYLINDER, TILT (COMPLETE) R. H.
3	2	0304241	SEAL KIT, TILT CYLINDER

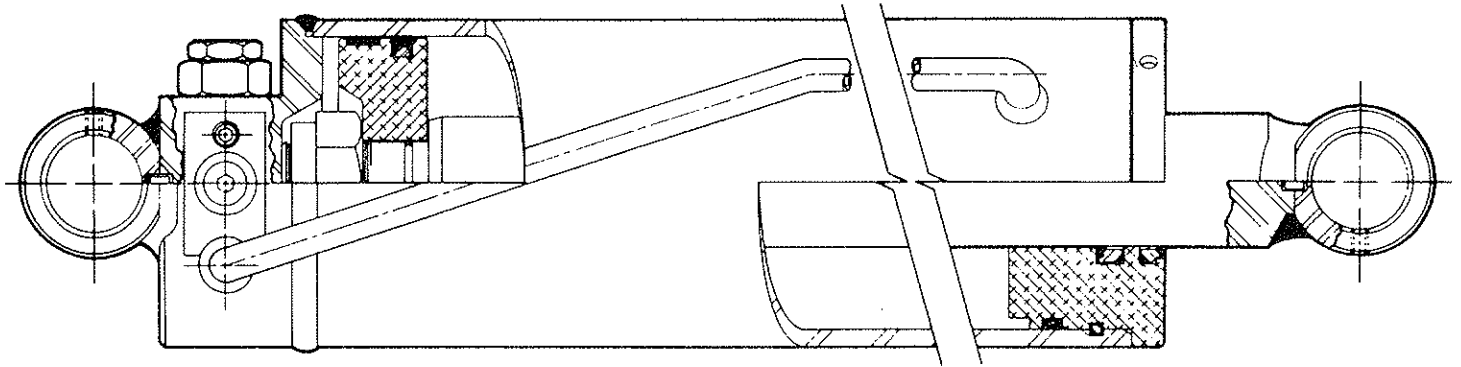


W/L EXTEND CYLINDER

REF. NO.	NO. REQ'D.	PART NUMBER	DESCRIPTION
1	1	0301825	HYDRAULIC CYLINDER, EXTEND (COMPLETE)
2	1	0304086	SEAL KIT, EXTEND CYLINDER

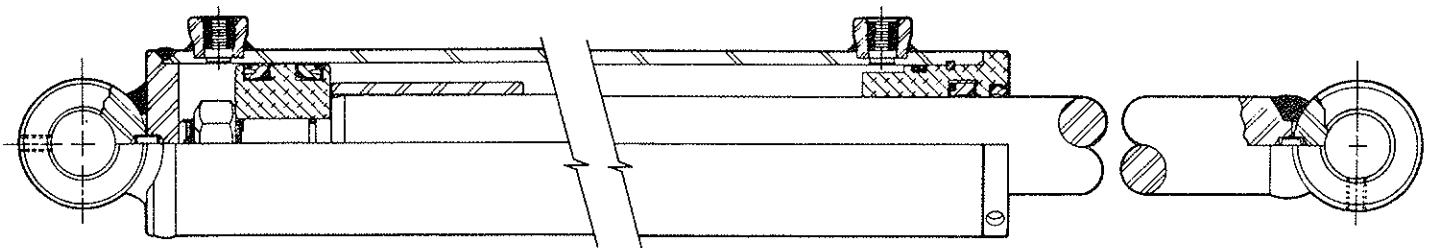
Section VI - PARTS

500 SERIES WRECKER HYDRAULIC CYLINDERS



BOOM LIFT CYLINDER

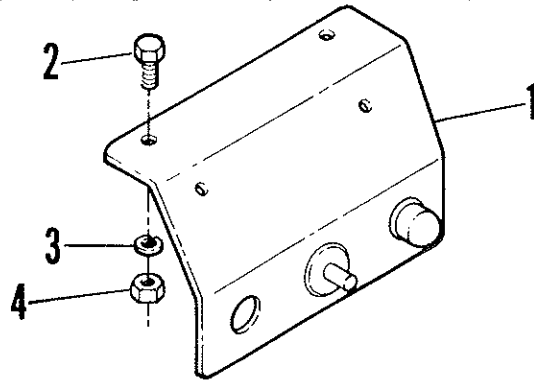
REF. NO.	NO. REQ'D.	PART NUMBER	DESCRIPTION
1	1	0301756	HYDRAULIC CYLINDER, LIFT (COMPLETE)
2	1	0304222	SEAL KIT, LIFT CYLINDER



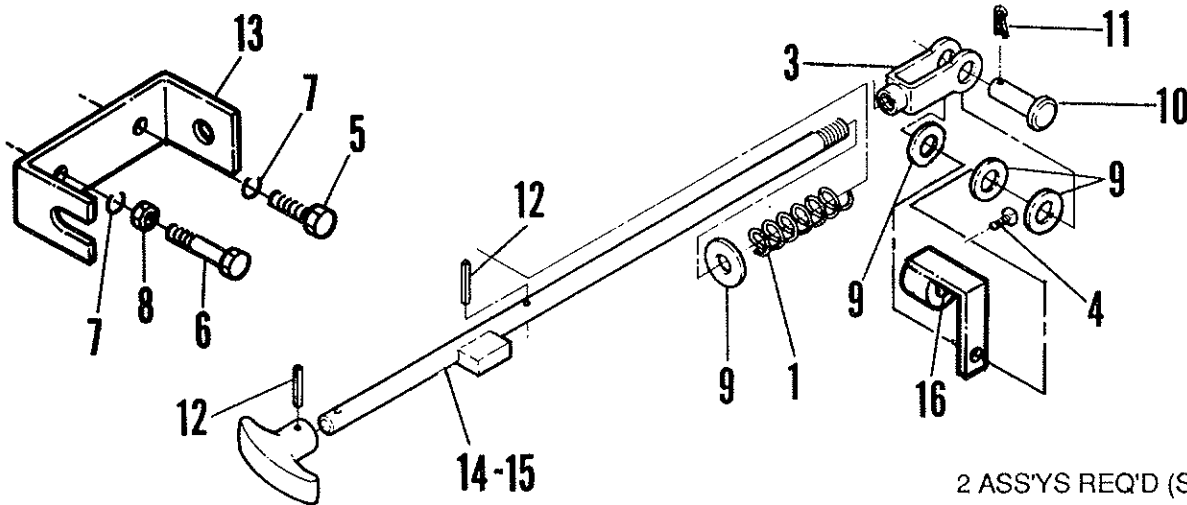
BOOM EXTEND CYLINDER

REF. NO.	NO. REQ'D.	PART NUMBER	DESCRIPTION
1	1	0301755	HYDRAULIC CYLINDER, EXTEND (COMPLETE)
2	1	0300624	SEAL KIT, EXTEND CYLINDER

Section VI - PARTS STANDARD PTO PANEL & WINCH CLUTCH CONTROL



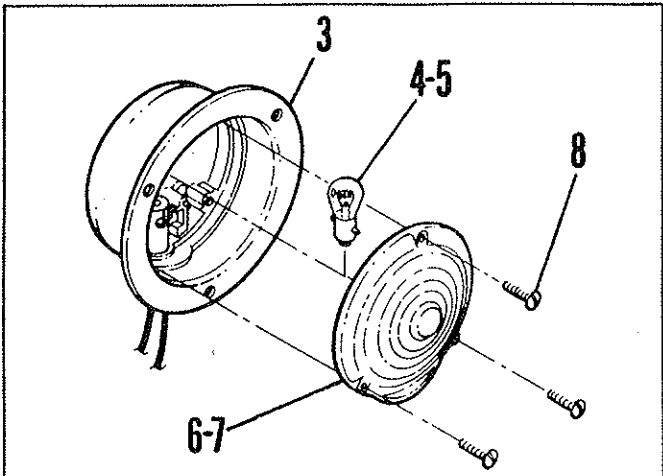
REF. NO.	NO. REQ'D.	PART NUMBER	DESCRIPTION
1	1	0301675	PANEL (COMPLETE)
2	2	0400061	SCREW, 1/4" - 20 X 3/4"
3	2	0400452	LOCKWASHER, 1/4"
4	2	0400366	NUT, 1/4" - 20 HEX



2 ASSYS REQ'D (SINGLE & DUAL)

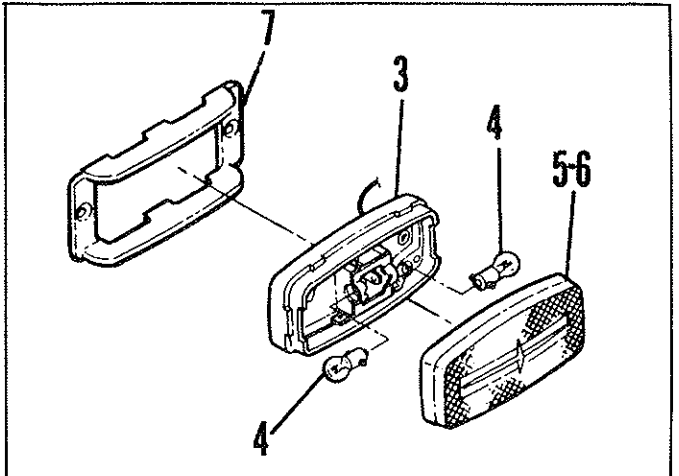
REF. NO.	NO. REQ'D.	PART NUMBER	DESCRIPTION
1	1	0300845	SPRING, COMPRESSION
2	1	0301532	"T" HANDLE
3	1	0301588	ADJUSTING YOKE
4	1	0400116	SCREW, 5/16"-18 X 1/2" LG. SQ. HD. SET
5	1	0400122	SCREW, 3/8"-16 X 1-1/4" LG. HEX. HD. CAP (DUAL WINCH)
-	1	0400126	SCREW, 3/8"-16 X 1" LG. HEX. HD. CAP (SINGLE WINCH)
6	1	0400150	SCREW, 3/8"-16 X 2-1/2" LG. HEX. HD. CAP
7	2	0400482	WASHER, 3/8" LOCK
8	1	0400393	NUT, 3/8"-16 JAM
9	4	0400492	WASHER, 1/2" FLAT
10	1	0400537	PIN, 1/2" DIA. X 1-1/2" LG. CLEVIS
11	1	0400546	PIN, 1/8" X 1-1/4" LG. COTTER
12	2	0400560	PIN, 5/32" X 1" LG. ROLL
13	1	0702408	MOUNTING CHANNEL
14	1	0800780	CONTROL ROD, SINGLE WINCH
15	1	0800781	CONTROL ROD, DUAL WINCH
16	1	0800779	WELDMENT, BELL CRANK

Section VI - PARTS - LIGHT KIT



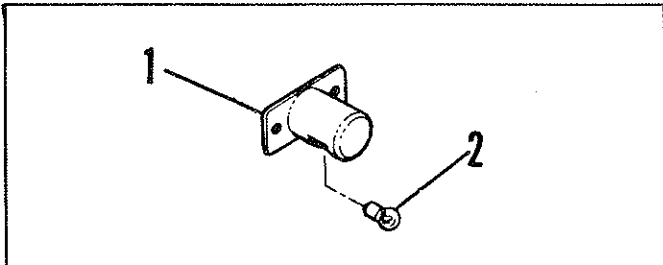
STOP & TURN/BACK-UP LIGHTS

- | | |
|----------------------------------|---------|
| 1. LIGHT, STOP & TURN (COMPLETE) | 0300501 |
| 2. LIGHT, BACK-UP (COMPLETE) | 0300505 |
| 3. HOUSING | 0300497 |
| 4. BULB, STOP & TURN | 0300498 |
| 5. BULB, BACK-UP | 0300503 |
| 6. LENS, STOP & TURN (RED) | 0300499 |
| 7. LENS, BACK-UP (CLEAR) | 0300504 |
| 8. SCREW, LENS | 0300500 |



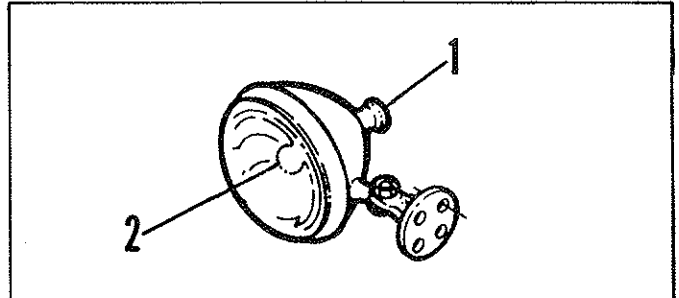
MARKER LIGHTS - RED & AMBER

- | | |
|---------------------------------|---------|
| 1. LIGHT, RED MARKER (COMPLETE) | 0300427 |
| 2. LIGHT, AMBER MARKER (CPL) | 0300428 |
| 3. HOUSING, MARKER LIGHT | 0300506 |
| 4. BULB, MARKER LIGHT | 0300507 |
| 5. LENS, RED MARKER | 0300508 |
| 6. LENS, AMBER MARKER | 0300510 |
| 7. GUARD, MARKER LIGHT | 0300242 |



LICENSE PLATE ILLUMINATOR

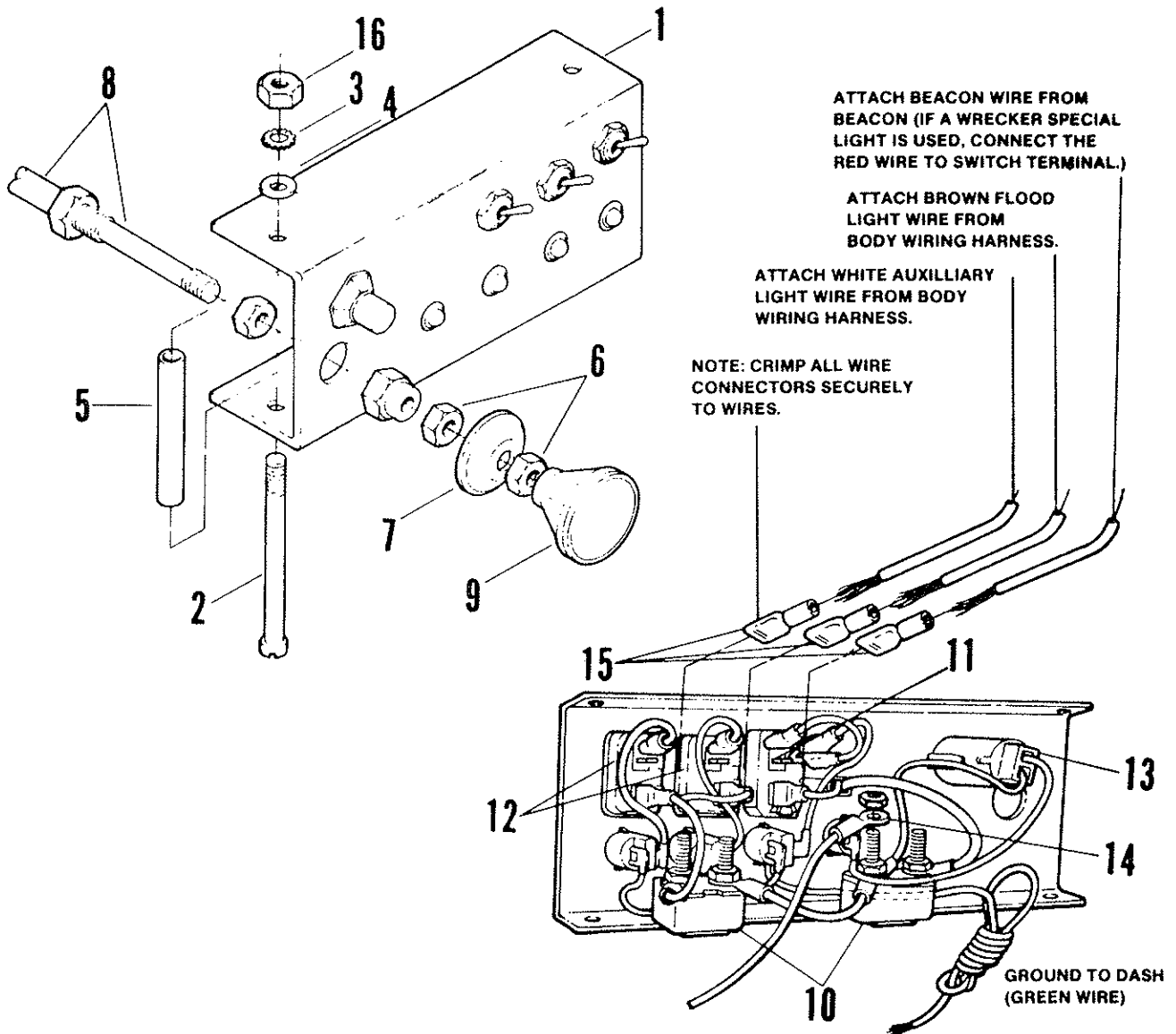
- | | |
|-------------------------------|---------|
| 1. LICENSE PLATE ILLUM. (CPL) | 0300273 |
| 2. BULB, LICENSE PLATE ILLUM. | 0300512 |



HAND OPERATED SPOTLIGHTS

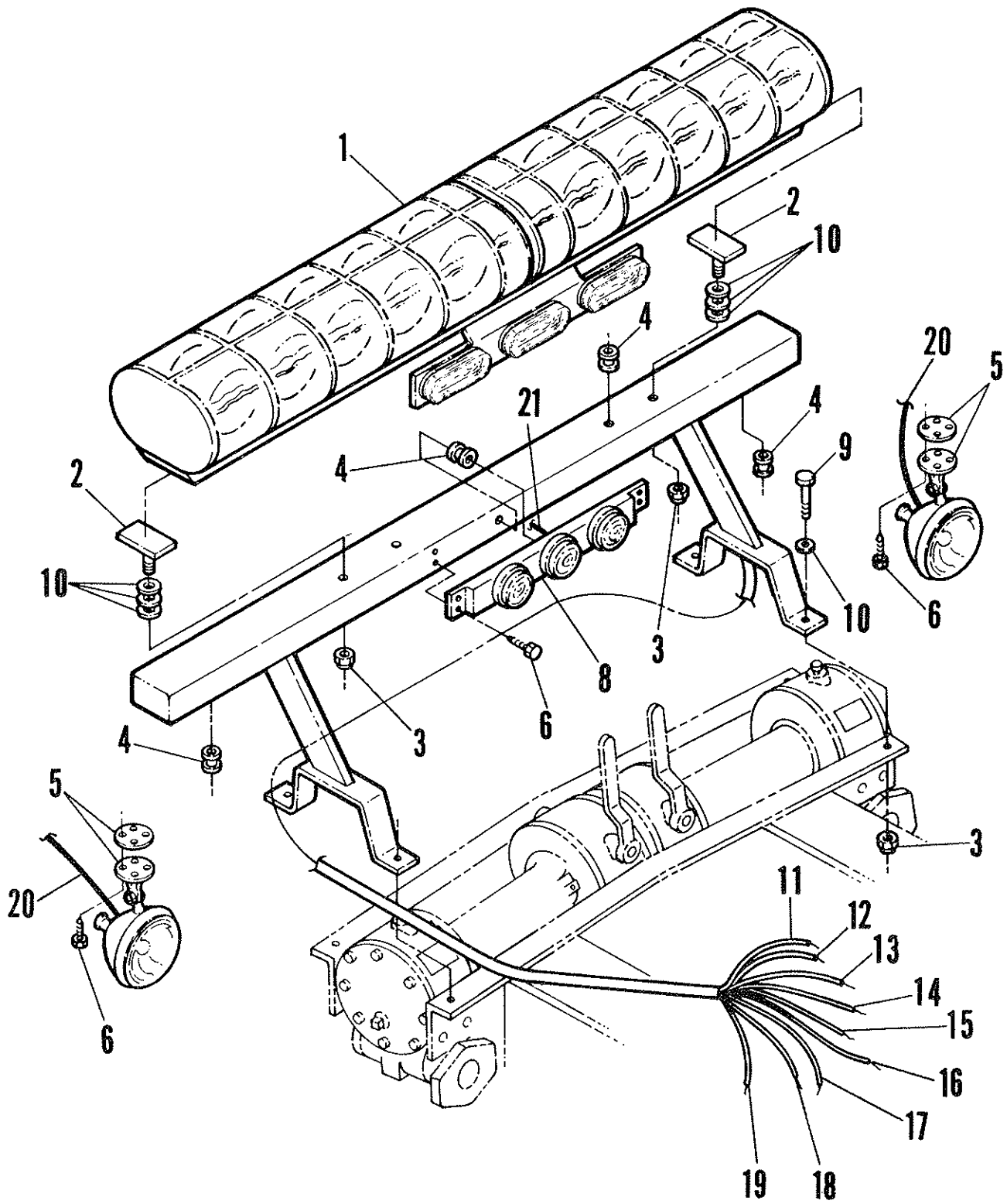
- | | |
|-------------------------|---------|
| 1. SPOTLIGHT (COMPLETE) | 0300095 |
| 2. BULB, SPOTLIGHT | 0300700 |

Section VII - DASHBOARD PANEL



REF. NO.	NO. REQ'D.	PART NUMBER	DESCRIPTION
1	1	0304155	SWITCH PANEL HOUSING
2	2	0304156	MTG. SCREW #10 - 32 x 3 - 3/8
3	2	0304157	LOCKWASHER, #10 EXT. TOOTH
4	2	0304158	FLAT WASHER, #10
5	2	0304159	SPACER TUBE
6	2	0304160	JAM NUT
7	1	0304161	ACTUATOR DISK
8	1	0301421	PTO CABLE, 14 FT.
9	1	0304163	PTO KNOB
10	2	0304162	CIRCUIT BREAKER, 40 AMP
11	1	0304154	SWITCH, DOUBLE POLE, SINGLE THROW
12	2	0304006	SWITCH, SINGLE POLE, SINGLE THROW
13	1	0304164	PTO LIGHT SWITCH
14	1	0301503	RING CONNECTOR
15	3	0304165	SPADE CONNECTOR
16	2	0304166	NUT, 10-32

Section VII - OPTIONAL EQUIPMENT LIGHTING ACCESSORIES-SUPER SIX & 500 SERIES



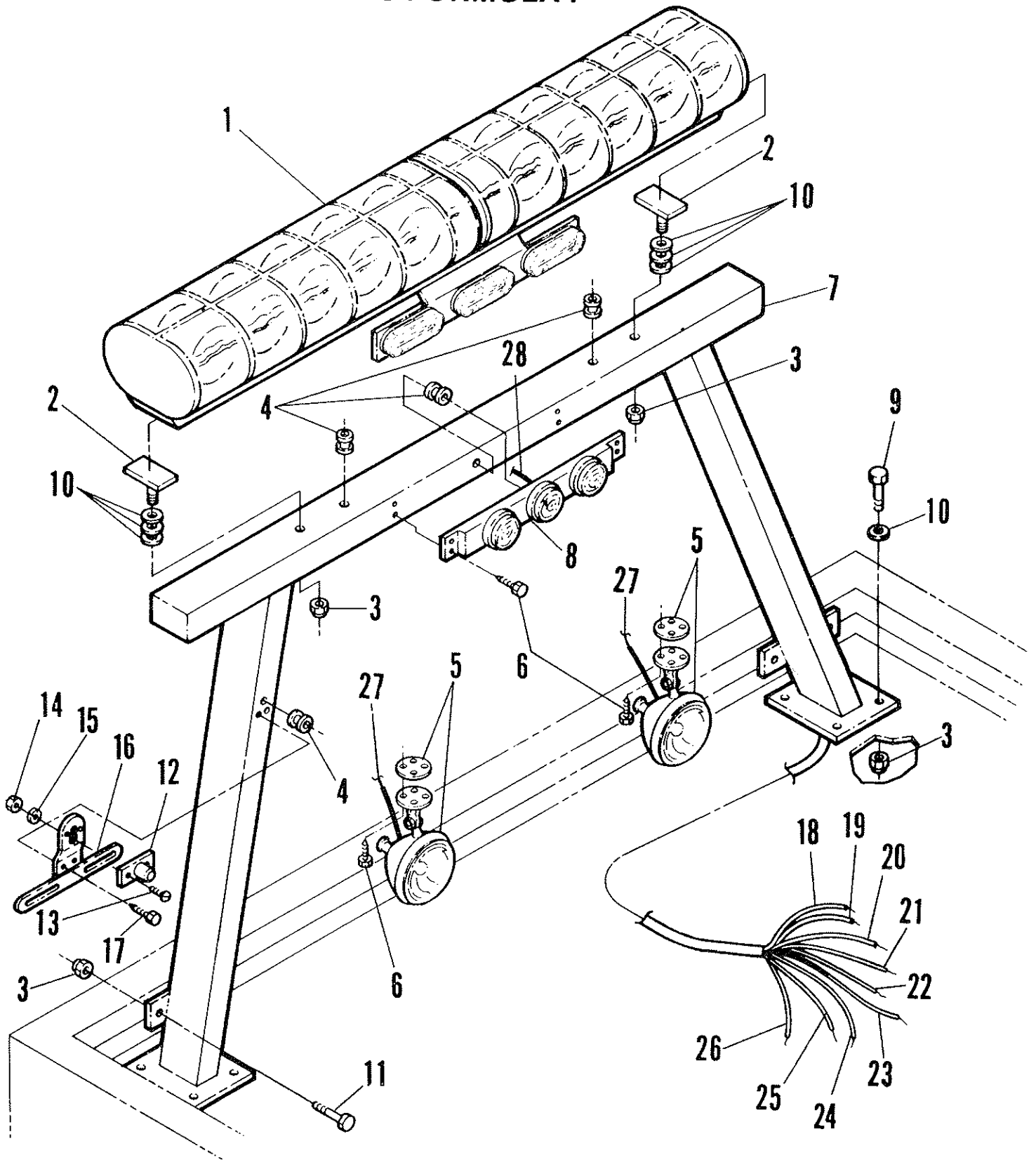
Section VII - OPTIONAL EQUIPMENT LIGHTING ACCESSORIES-SUPER SIX & 500 SERIES

REF. NO.	NO. REQ'D.	PART NUMBER	DESCRIPTION
1	1	0301359	WRECKER SPECIAL LIGHT
2	2	0800539	"T" BOLT ADAPTER
3	14	0400392	NUT, 3/8" - 16 HEX HD. NYLOK
4	3	0300117	RUBBER GROMMET
5	2	0300095	SPOTLIGHT W/GASKET
6	12	0400027	SCREW, #8-32 X 3/8" SELF TAPPING
7	1	0801107	LIGHT BAR FOR WRECKER
8	1	0300442	3 BAR LIGHT
9	4	0400122	SCREW, 3/8" - 16 X 1-1/4" HEX. HD.
10	18	0400480	FLAT WASHER, 3/8"

WIRING

REF. NO.	COLOR	DESCRIPTION	TERMINATION
11	GREY		NOT CONNECTED
12	BROWN W/WHITE STRIPE		NOT CONNECTED
13	BLUE	FLASHING LIGHTS	CONNECT TO RED (21) RUN TO PANEL
14	RED	ROTATING LIGHTS	CONNECT TO BLUE (20)
15	BROWN	TAIL LIGHTS	CONNECT TO BLACK ON BODY HARNESS
16	ORANGE	FLOOD LIGHTS	CONNECT TO BROWN ON BODY HARNESS
17	BLACK	GROUND	CONNECT TO CHASSIS OR BODY
18	GREEN	R. TURN/STOP	CONNECT TO BLUE ON BODY HARNESS
19	YELLOW	L. TURN/STOP	CONNECT TO YELLOW ON BODY HARNESS
20	BLACK	SPOTLIGHTS	CONNECT TO BROWN ON BODY HARNESS
21	BLACK	3-BAR LIGHT	CONNECT TO BLACK ON BODY HARNESS

Section VII - OPTIONAL EQUIPMENT LIGHTING ACCESSORIES FORMULA I



Section VII - OPTIONAL EQUIPMENT LIGHTING ACCESSORIES FORMULA I

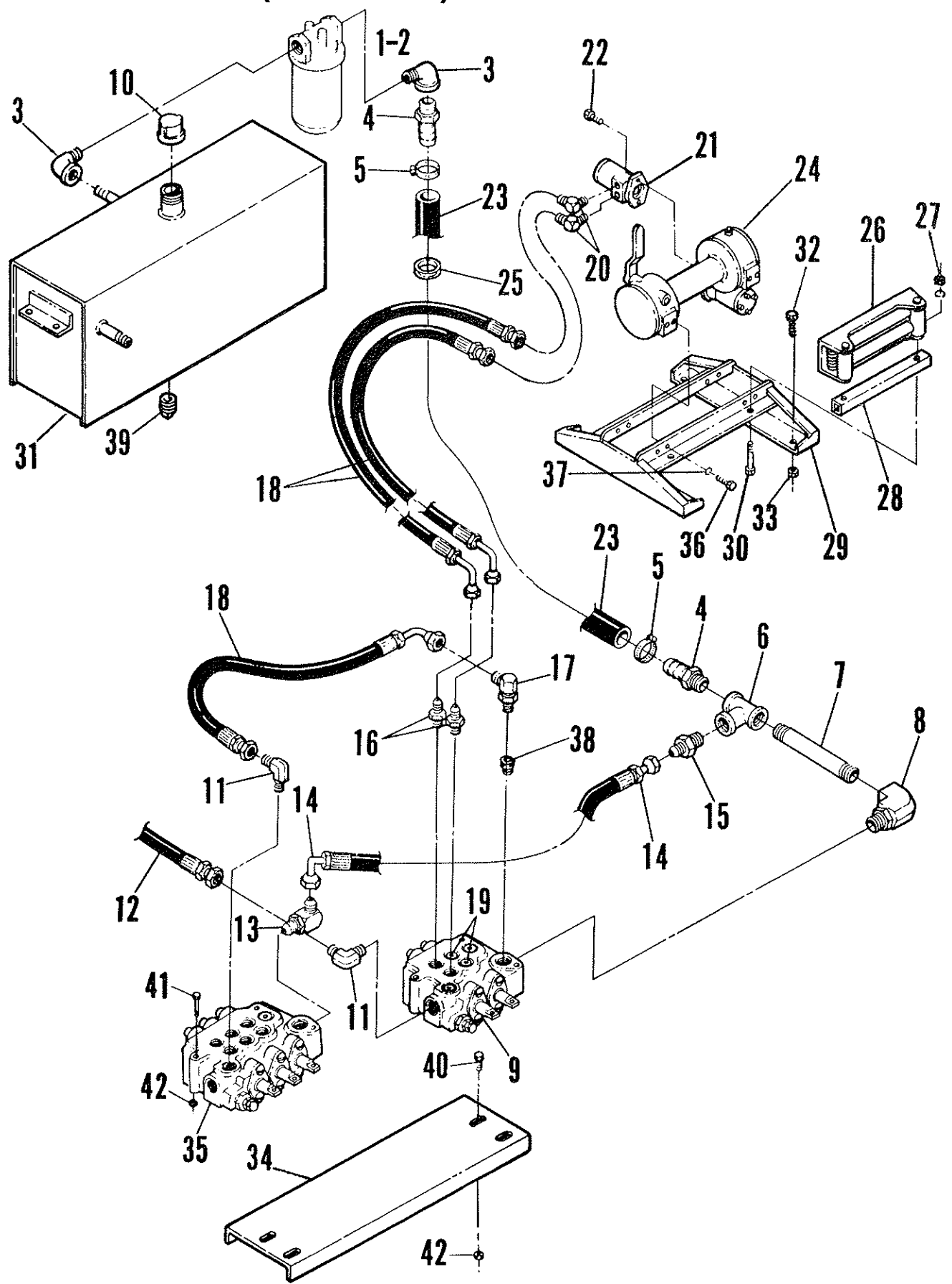
REF. NO.	NO. REQ'D.	PART NUMBER	DESCRIPTION
1	1	0301359	WRECKER SPECIAL LIGHT
2	2	0800539	"T" BOLT ADAPTER
3	6	0400392	NUT, 3/8" - 16 HEX HD. NYLOK
4	4	0300117	RUBBER GROMMET
5	2	0300095	SPOTLIGHT W/GASKET
6	12	0400027	SCREW, #8-32 X 5/8" SELF TAPPING
7	1	0801110	LIGHT BAR FOR WRECKER
8	1	0300442	3 BAR LIGHT
9	4	0400122	SCREW, 3/8" - 16 X 1-1/4" HEX. HD.
10	14	0400480	FLAT WASHER, 3/8"
11	4	0400126	SCREW 3/8"-16 X 1" HEX HD.
12	1	0300273	LICENSE PLATE ILLUMINATOR
13	2	0400061	SCREW 1/4" - 20 X 3/4" PAN HD.
14	2	0400366	NUT 1/4"-20 PLAIN
15	2	0400452	LOCKWASHER 1/4"
16	1	0300076	LICENSE PLATE HOLDER
17	2	0400062	SCREW 1/4" - 20 X 3/4" THREAD CUT HEX. HD.

WIRING

REF. NO.	COLOR	DESCRIPTION	TERMINATION
18	GREY		NOT CONNECTED
19	BROWN		NOT CONNECTED
	W/WHITE STRIPE		
20	BLUE	FLASHING LIGHTS	CONNECT TO RED (21) RUN TO PANEL
21	RED	ROTATING LIGHTS	CONNECT TO BLUE (20)
22	BROWN	TAIL LIGHTS	CONNECT TO BLACK ON BODY HARNESS
23	ORANGE	FLOOD LIGHTS	CONNECT TO BROWN ON BODY HARNESS
24	BLACK	GROUND	CONNECT TO CHASSIS OR BODY
25	GREEN	R. TURN/STOP	CONNECT TO BLUE ON BODY HARNESS
26	YELLOW	L. TURN/STOP	CONNECT TO YELLOW ON BODY HARNESS
27	BLACK	SPOTLIGHTS	CONNECT TO BROWN ON BODY HARNESS
28	BLACK	3-BAR LIGHT	CONNECT TO BLACK ON BODY HARNESS

Section VII - OPTIONAL EQUIPMENT

FI - DRAG WINCH (OPTIONAL)

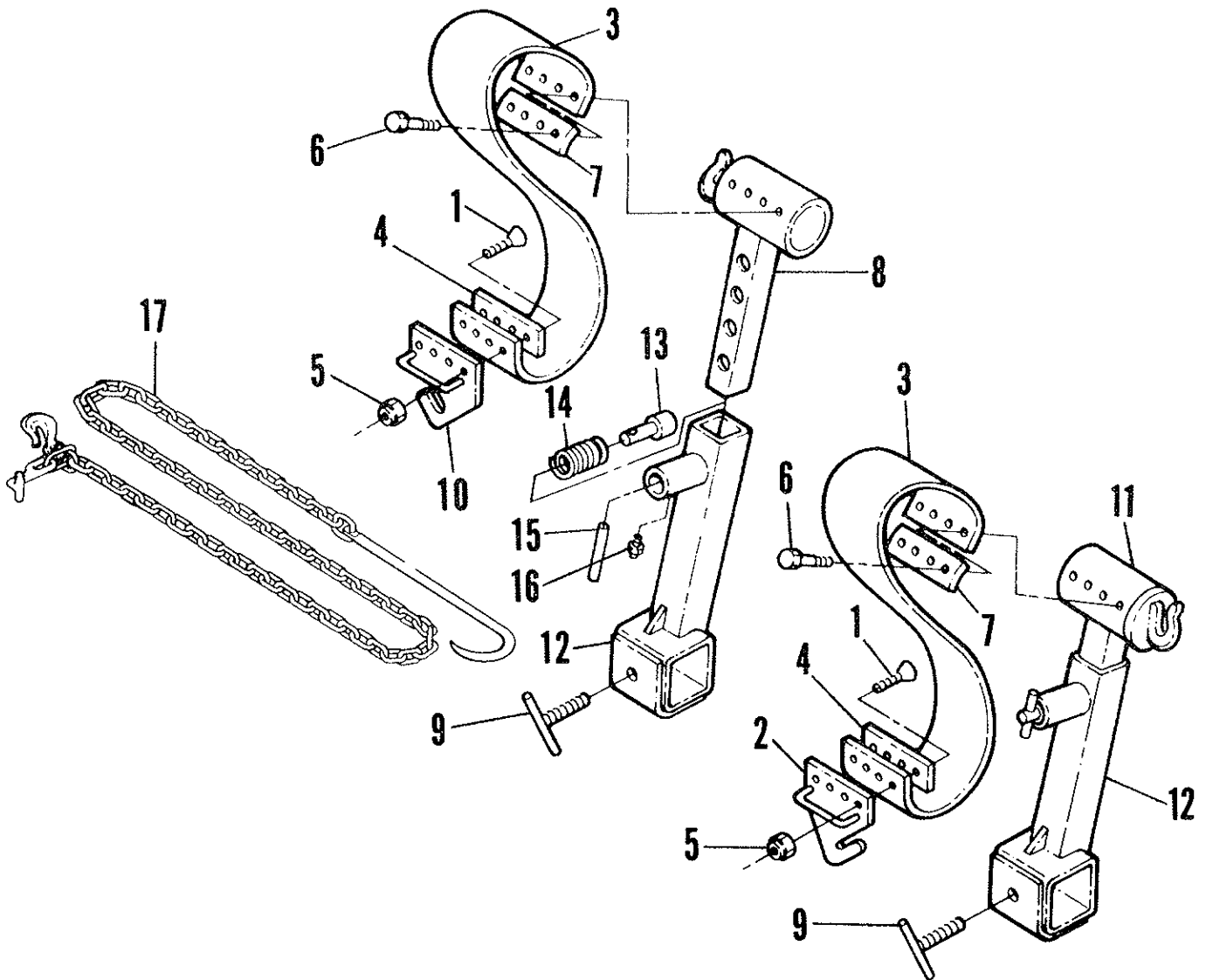


Section VII - OPTIONAL EQUIPMENT

FI - DRAG WINCH (OPTIONAL)

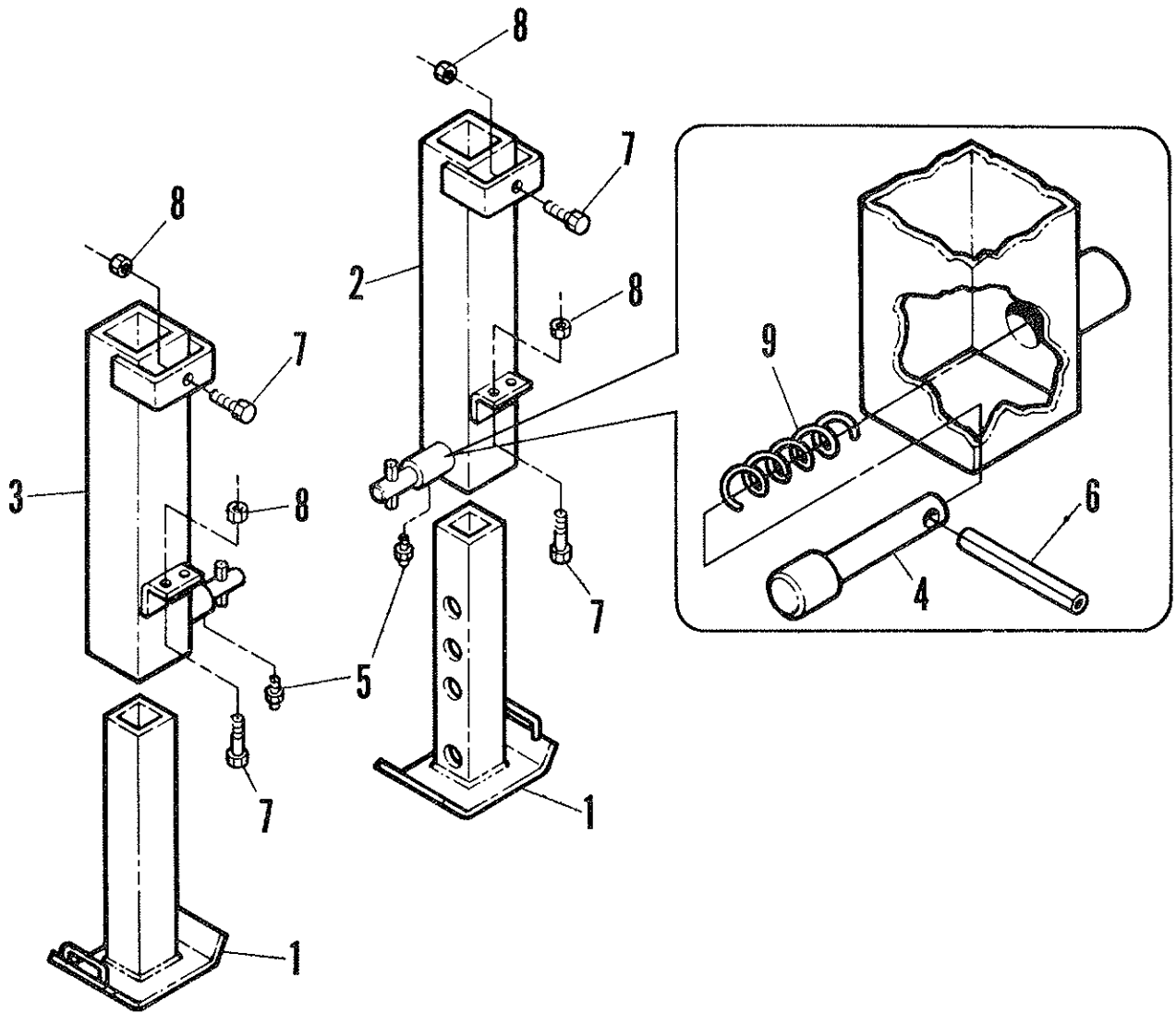
REF. NO.	NO. REQ'D.	PART NUMBER	DESCRIPTION
1	1	0300136	OIL FILTER ASS'Y
2	1	0300135	FILTER REPLACEMENT CARTRIDGE
3	2	0300288	STREET ELBOW, 3/4" NPT
4	2	0300055	HOSE BARB, 3/4" HOSE - 3/4" NPT
5	2	0300071	HOSE CLAMP, 1"
6	1	0301387	TEE, 3/4" FEM, NPT
7	1	0301899	NIPPLE, 3/4" X 5" LG. NPT
8	1	0301375	ELBOW, 3/4" SAE MALE X 3/4" NPT FEM. 90°
9	1	0301415	VALVE, 2 SPOOL
10	1	0702741	CAP, RESERVOIR
11	2	0300052	ELBOW, 5/8" SAE MALE X 1/2" J.I.C. MALE 90°
12	1	0300165	HIGH PRESSURE HOSE
13	1	0300814	ELBOW, 3/4" SAE X 1/2" J.I.C. MALE 90°
14	1	0301790	HOSE, 1/2" J.I.C. X 1/2" J.I.C. 90° X 17" LG.
15	1	0301881	CONNECTOR, 3/4" NPT MALE X 1/2" J.I.C. MALE STR.
16	2	0300041	CONNECTOR, 1/2" SAE "O" RING X 1/2" J.I.C. STR.
17	1	0301388	ELBOW, 1/2" SAE "O" RING M X 1/2" J.I.C. M 90°
18	1	0301471	HOSE, 1/2" J.I.C. X 1/2" J.I.C. 90° X 30" LG.
19	2	0301783	HOLE PLUG
20	2	0300229	ELBOW, 1/2"
21	1	0300090	MOTOR, HYDRAULIC
22	2	0400196	SCREW, 1/2" - 13 X 1 1/4" LG. SOCKET HD. CAP, GR. 5
23	1	0300057	RETURN HOSE, 3/4" I.D. X 47" LG.
24	1	0300251	WINCH, L.H.
25	1	0300124	GROMMET, CATERPILLAR
26	1	0301444	FAIRLEAD
27	2	0400407	NUT, 1/2" - 13 HEX.
28	1	0701756	SPACER TUBE
29	1	0801029	FRAME, DRAG WINCH
30	2	0400197	SCREW, 1/2" - 13 X 2 3/4" HEX. HD. CAP, GR. 5
31	1	0800788	RESERVOIR
32	4	0400260	SCREW, 5/8"-11 X 2" HEX. HD.
33	4	0400421	NUT, 5/8" NYLON LOCK
34	1	0703896	VALVE MOUNTING CHANNEL
35	1	0300010	3-SPOOL VALVE
36	6	0400122	SCREW, 3/8"-16 NC X 1-1/4" LG. HEX. HD. CAP
37	8	0400482	LOCKWASHER, 3/8"
38	1	0300286	ADAPTER, H.P.C.O.
39	1	0300347	PLUG - SQ. HD.
40	4	0400126	SCREW, 3/8"-16 NC X 1" LG. HEX. HD. CAP
41	6	0400140	SCREW, 3/8"-16 X 4" LG. HEX. HD. CAP, GR. 5
42	10	0400392	NUT, 3/8"-16 NYLON LOCK

Section VII - OPTIONAL EQUIPMENT TOW SLING ADAPTORS



REF. NO.	NO. REQ'D.	PART NUMBER	DESCRIPTION
1	8	0400156	SCREW, 3/8"-16 X 1 1/4" FLAT HD. SOC.
2	1	0800608	CHAIN KEEPER, LEFT
3	2	0701919	TOW SLING BELT
4	2	0701920	GRIP PLATE
5	8	0400392	NUT, 1/8"-16 NYLOK
6	8	0400105	SCREW, 3/8"-18 X 1-1/4" SELF-TAPPING
7	2	0701921	BELT RETAINER
8	1	0800693	INNER ADJUSTMENT TUBE, RIGHT
9	2	0800590	TEE HANDLE
10	1	0800609	CHAIN KEEPER, RIGHT
11	1	0800692	INNER ADJUSTMENT TUBE LEFT
12	2	0800823	MOUNTING BRACKET
13	2	0700154	PIN, PLUNGER
14	2	0300004	SPRING, PLUNGER
15	2	0400568	ROLL PIN
16	2	0300113	GREASE FITTING
17	2	0900176	"J" HOOK ASS'Y

Section VII - OPTIONAL EQUIPMENT REAR MANUAL JACKS



REF. NO.	NO. REQ'D.	PART NUMBER	DESCRIPTION
1	2	0800630	INNER JACK TUBE
2	1	0800607	RIGHT OUTER JACK TUBE
3	1	0800606	LEFT OUTER JACK TUBE
4	2	0700154	PLUNGER PIN
5	2	0300113	GREASE FITTING
6	2	0400568	ROLL PIN 5/8" DIA. X 3" LONG
7	6	0400253	SCREW 5/8"-11 X 1 1/4"
8	6	0400421	NUT 5/8"-11
9	2	0300004	PLUNGER SPRING

**CENTURY®
WRECKER
CORPORATION**

I-75 at Ooltewah Exit #11 • 8503 Hilltop Drive • Ooltewah, Tennessee 37363 • (615) 238-4171
Mailing Address: P.O. Box 120 • Ooltewah, Tennessee 37363 • Telex: 856967 CENWKRTN UD