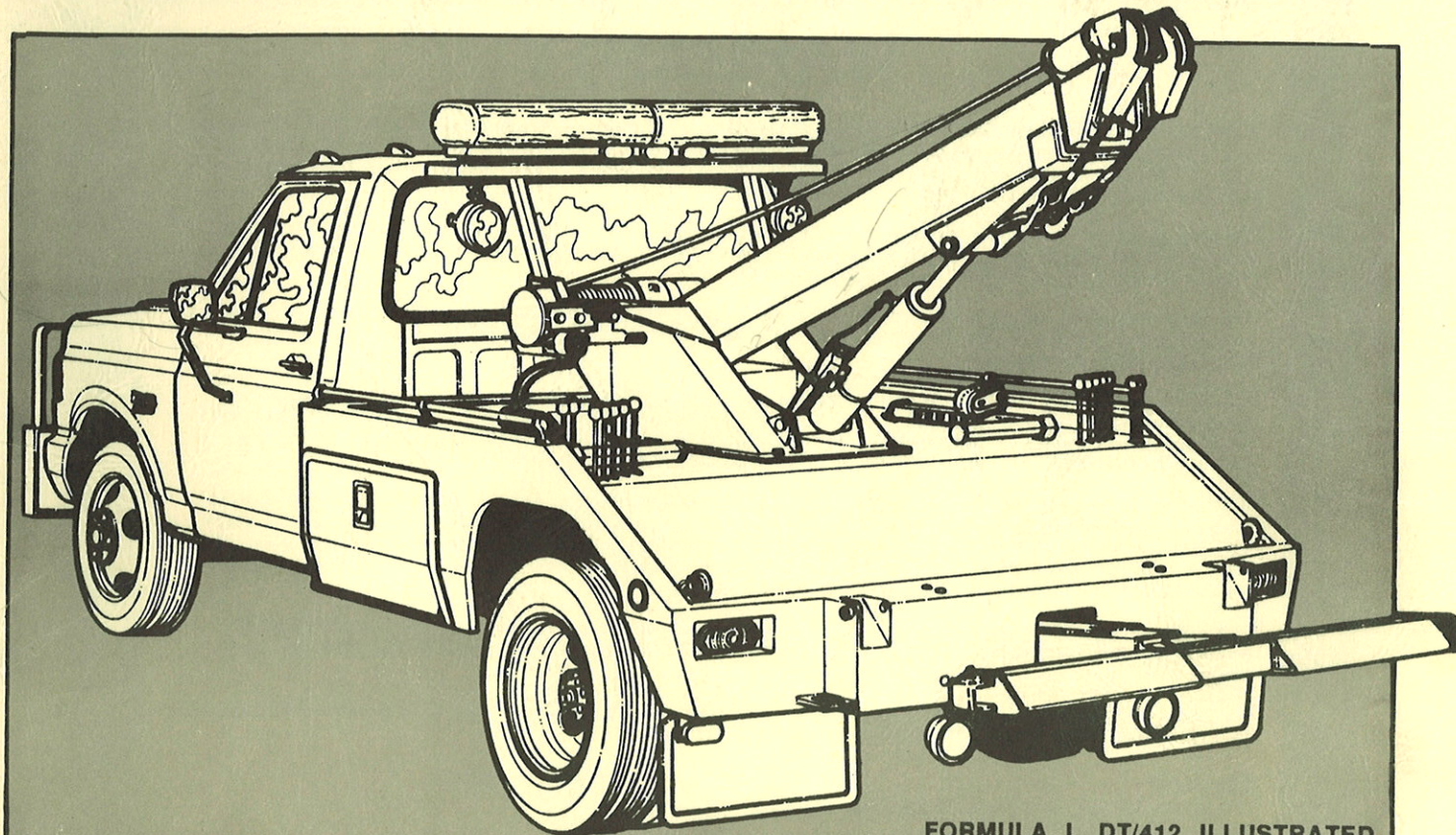


CENTURY®



FORMULA 1, DT/412 ILLUSTRATED

OWNER'S MANUAL FORMULA 1, Duplex Tilt, 411 & 412 Wreckers

**OPERATION, MAINTENANCE
& PARTS**

CENTURY

I-75 at Ooltewah Exit #11 • 8503 Hilltop Drive • Ooltewah, Tennessee 37363 • (615) 238-4171

Mailing Address: P.O. Box 120 • Ooltewah, Tennessee 37363 • Telex: 856967 CENWKRTN UD • FAX (615)238-5371

FORM NO. 0500471

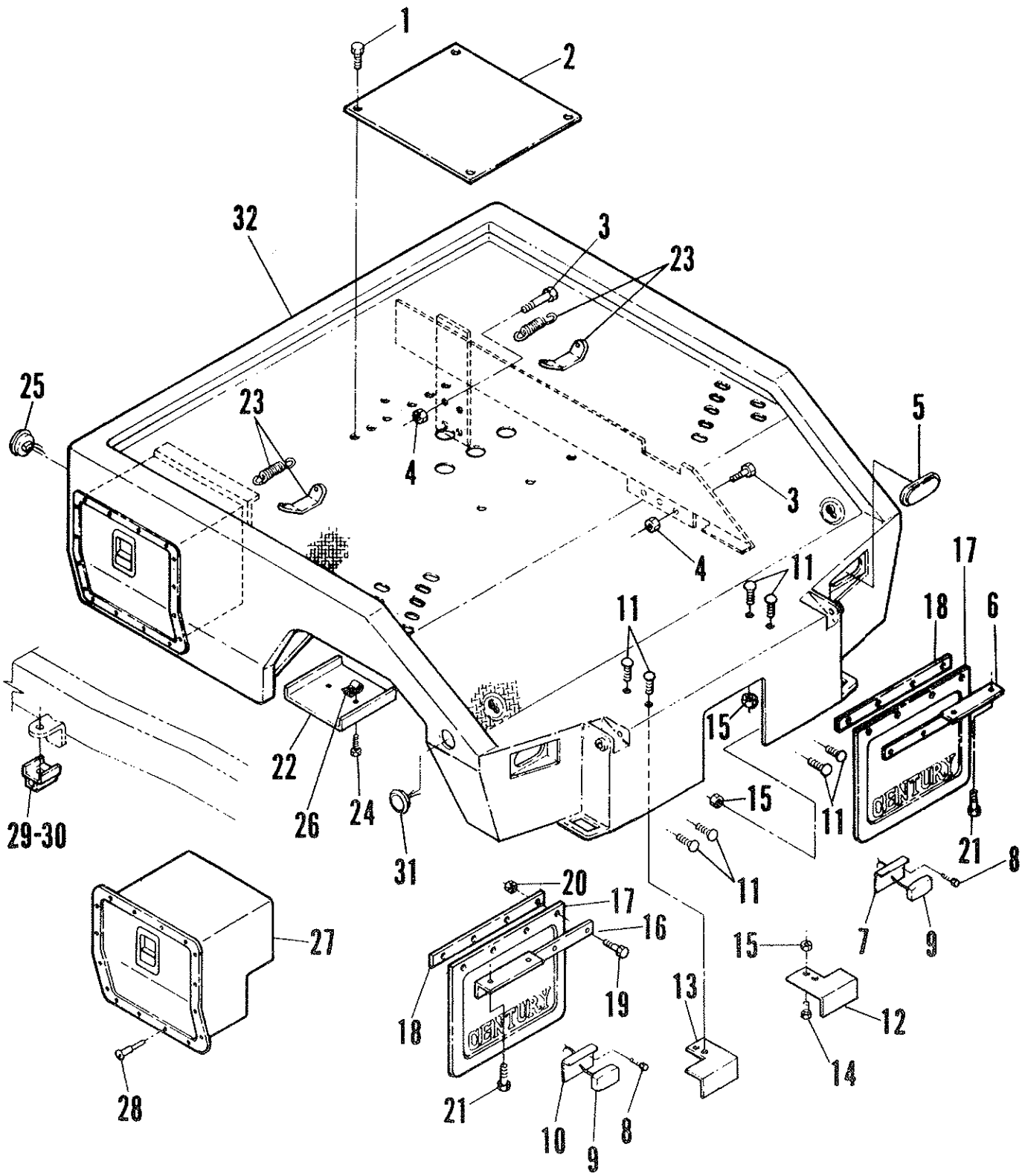
PRICE \$15.00

Section VI

PARTS

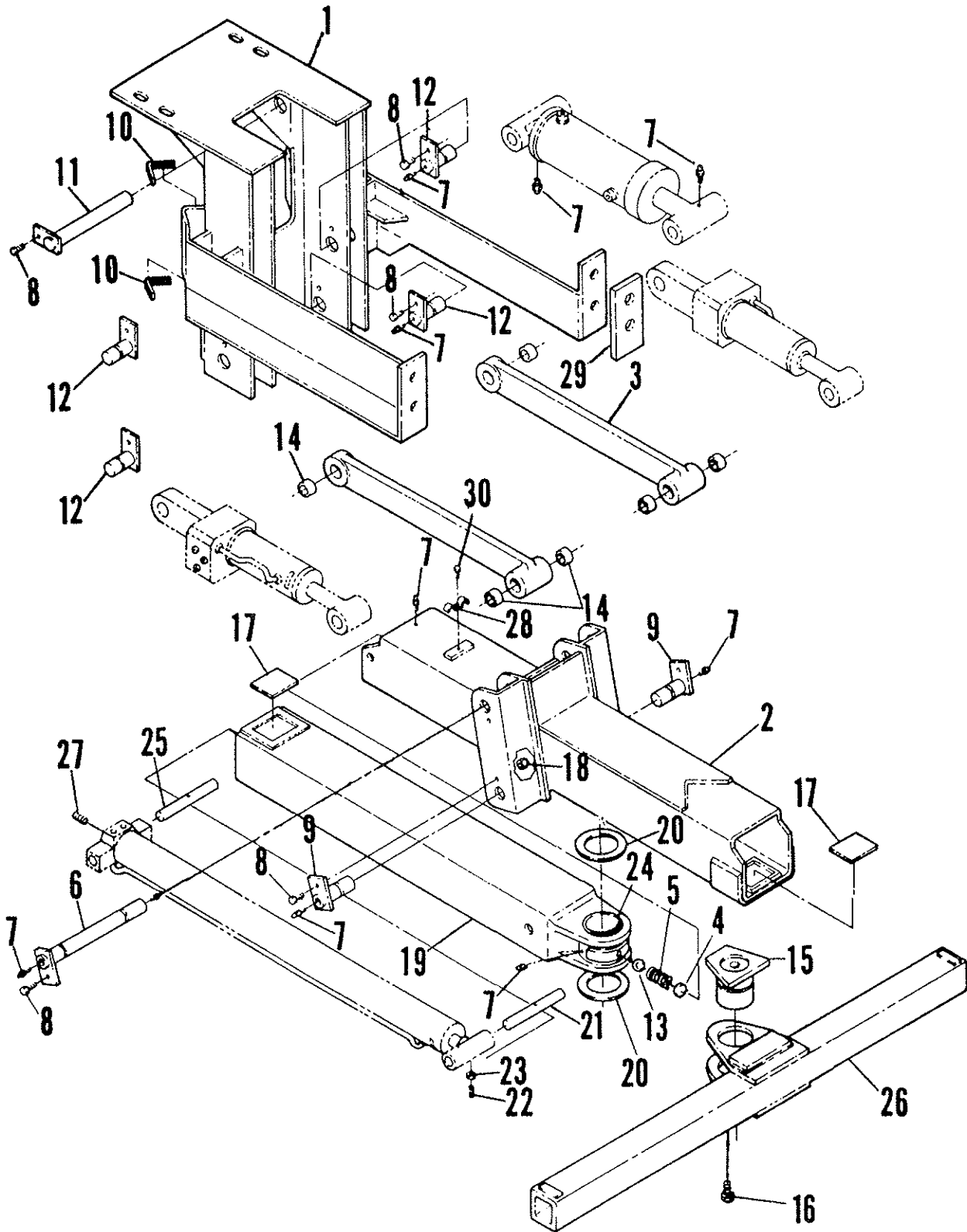
Section VI - PARTS - BODY ASSEMBLY

FORMULA I, Duplex Tilt, 411 & 412



Section VI - PARTS

WHEEL LIFT ASSEMBLY - Duplex Tilt



Section VI - PARTS

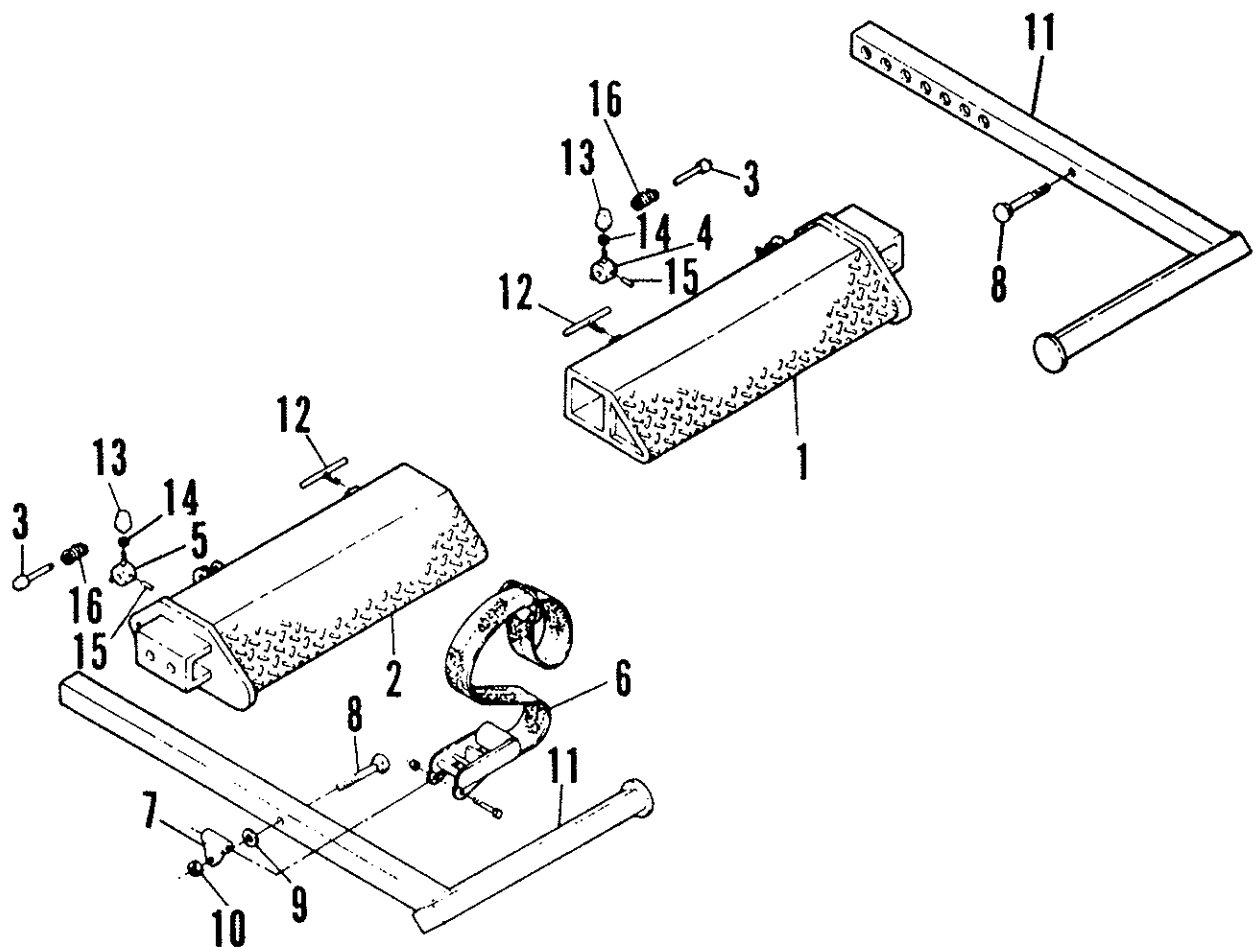
WHEEL LIFT ASSEMBLY - Duplex Tilt

REF. NO.	NO. REQ'D.	PART NUMBER	DESCRIPTION
1	1	0801006	FRAME WELDMENT
2	1	0801004	OUTER BOOM WELDMENT
3	2	0900883	UPPER ARM ASS'Y - INCLUDES ITEMS 25 & 26
4	1	0702546	SPACER
5	1	0301197	SPRING, DETENT
6	1	0801009	UPPER SHAFT WELDMENT, BOOM
7	13	0300113	GREASE FTG., 1/4" - 28 STR.
8	8	0400141	SCREW, 3/8" - 16 X 7/8" LG. GR. 5 PL. CAP
9	2	0801010	LOWER SHAFT WELDMENT, BOOM
10	4	0703422	HOSE GUARD
11	1	0801012	SHAFT, LIFT CYLINDER
12	4	0801011	SHAFT WELDMENT, ARM
13	1	0301398	BALL, DETENT
14	6	0301845	BUSHING
15	1	0801073	PIN, CROSS TUBE PIVOT
16	2	0701956	SCREW, 1/2" - 13 X 1" LG. HEX. HD. CAP. GR. 5
17	2	0301850	SLIDE PAD, NYLATRON
18	10	0400390	JAM LOCK NUT, 3/8" - 16 NC HEX., PL.
19	1	0801076	INNER BOOM WELDMENT - INCLUDES ITEM 24
20	2	0703640	THRUST WASHER
21	1	0702131	SHAFT, CYLINDER
22	1	0400139	SET SCREW, 3/8" - 16 NC X 1-1/2" LG. ALLEN HD.
23	1	0400392	LOCKNUT, 3/8" - 16 NC NYLOK, PL.
24	1	0301914	BUSHING
25	1	0703345	SHAFT, EXTEND CYLINDER
26	1	0801074	CROSS TUBE, INNER WELDMENT, Duplex Tilt
27	1	0400129	SET SCREW, 3/8" - 16 NC X 3/4" CUP POINT ALLEN HD.
28	2	0301601	CLAMP
*29	—	0701941	WHEEL LIFT MTG. SPACER
30	1	0400060	SCREW, 1/4" - 20 NC X 1/2" LG. GR. 5 PL. CAP

* Used as needed in centering Wheel Lift (Left-to-Right)

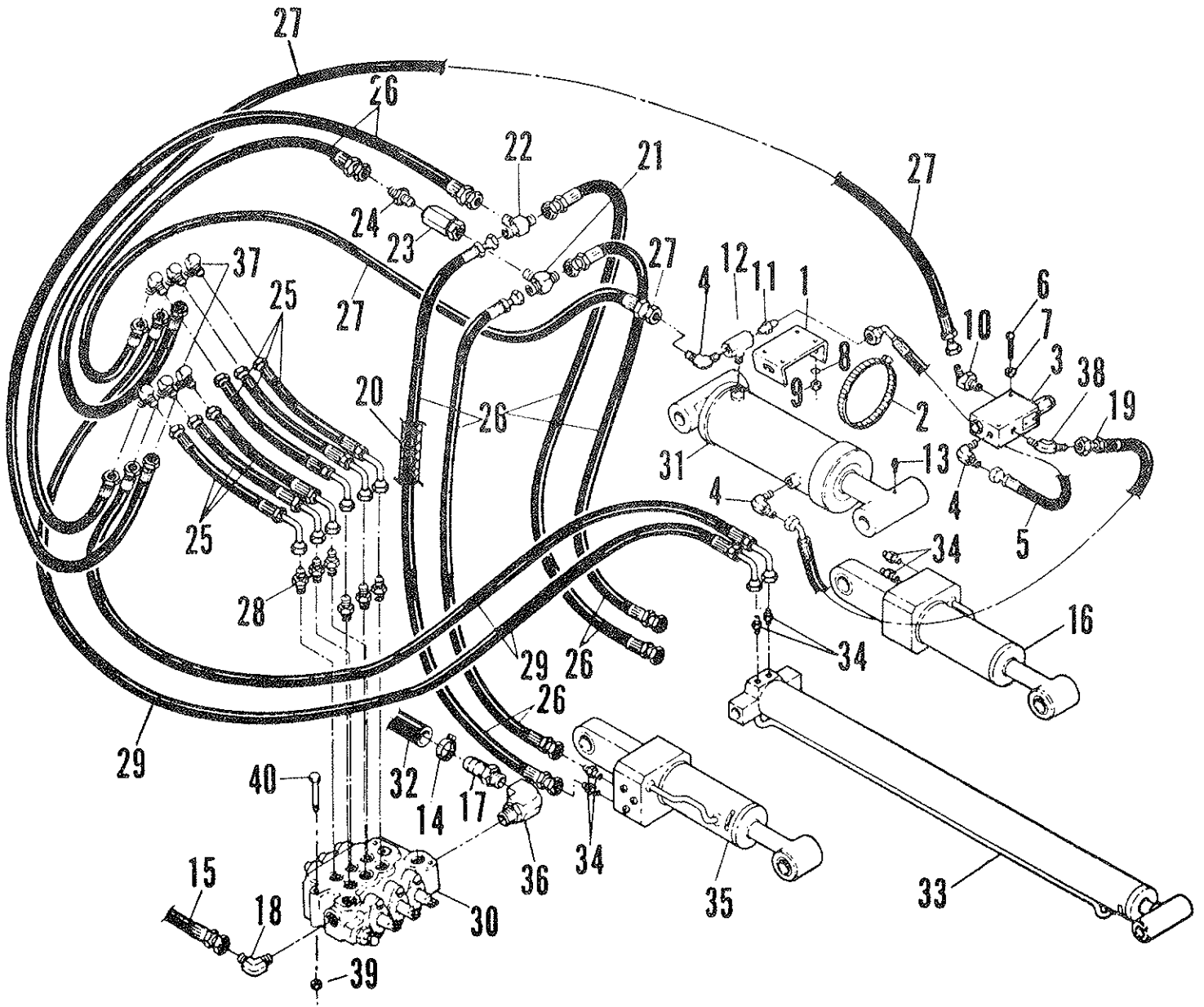
Section VI - PARTS

OUTER CROSS TUBE & SLIDE-IN TIRE RESTRAINT ASS'Y



REF. NO.	NO. REQ'D.	PART NUMBER	DESCRIPTION
1	1	0800912	CROSS TUBE, LEFT OUTER
2	1	0800913	CROSS TUBE, RIGHT OUTER
3	2	0701916	PIN, PLUNGER
4	1	0800837	HANDLE, LEFT PLUNGER
5	1	0800838	HANDLE, RIGHT PLUNGER
6	2	0301399	RATCHET, TIE DOWN (INCLUDES SCREW & NUT)
7	2	0800583	PIVOT, TIE DOWN
8	2	0400161	BOLT, 3/8" - 16 X 2-3/4" CARRIAGE GR. 5 PL
9	2	0400480	WASHER, 3/8" FLAT PL.
10	2	0400390	NUT, 3/8" - 16 JAM LOCK HEX PL.
11	2	0800897	RESTRAINT, TIRE
12	2	0800590	HANDLE, TEE
13	2	0300341	KNOB
14	2	0400393	NUT, 3/8" - 16 JAM
15	2	0400560	PIN, 5/32" X 1" LG. ROLL
16	2	0301416	SPRING, PLUNGER

Section VI - PARTS WHEEL LIFT/Duplex Tilt HYDRAULICS

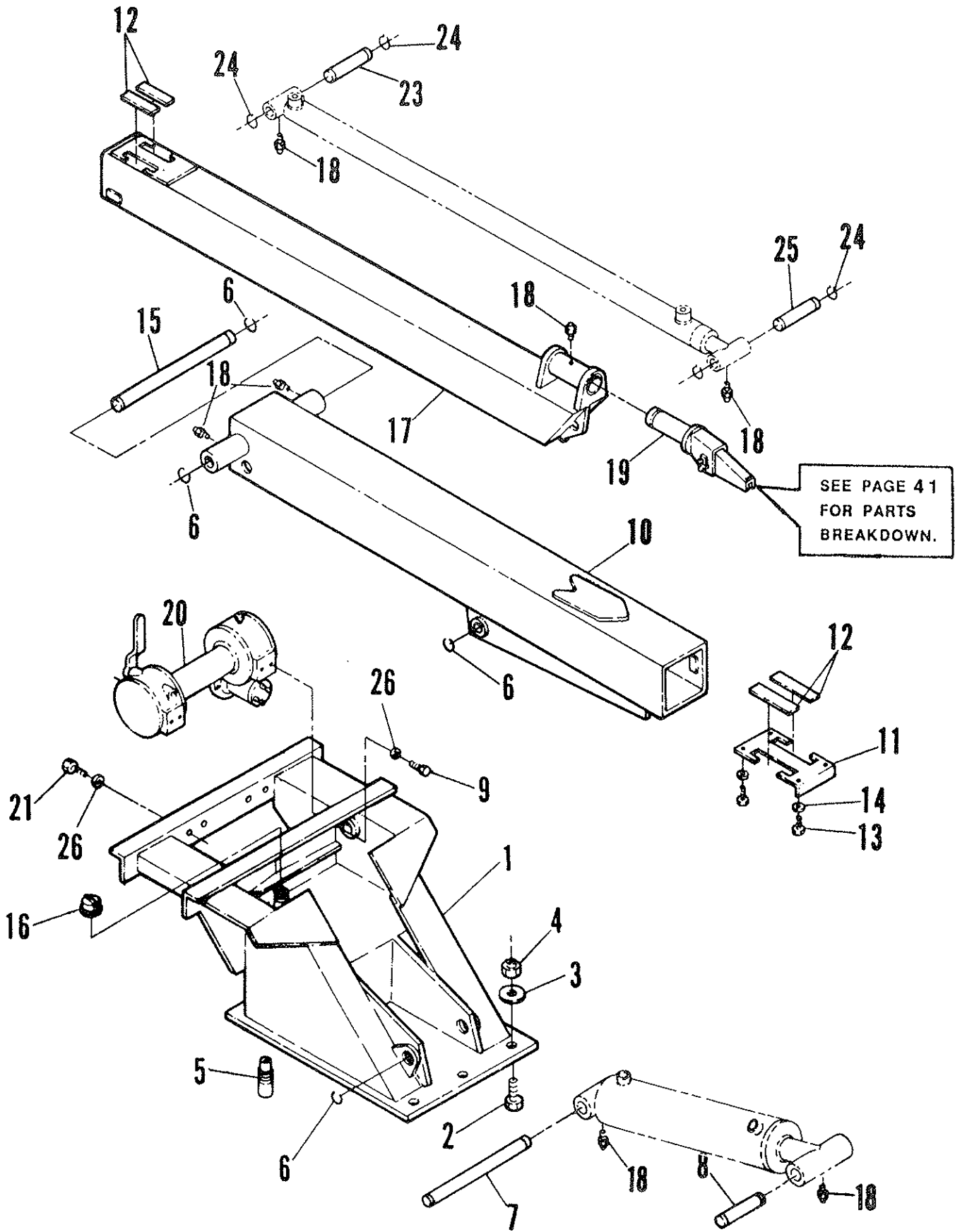


Section VI - PARTS

WHEEL LIFT/Duplex Tilt HYDRAULICS

REF. NO.	NO. REQ'D.	PART NUMBER	DESCRIPTION
1	1	0703001	BRACKET, CHECK VALVE MOUNTING
2	1	0300133	CLAMP, BRACKET
3	1	0301731	HOLDING VALVE
4	3	0300142	ELBOW, 1/4" NPT X 3/8" J.I.C. 90°
5	1	0301473	HOSE, LIFT CYLINDER (18" LG.)
6	2	0400064	SCREW, 1/4" - 20 NC X 2 1/4 " LG. RD. HD. PL.
7	2	0400451	FLAT WASHER, 1/4" PL.
8	2	0400452	LOCKWASHER, 1/4" PL.
9	2	0400366	NUT, 1/4" - 20 NC HEX. PL.
10	1	0301848	ELBOW, 3/8" J.I.C. X 3/8" NPT, 45°
11	1	0301424	CONNECTOR, 1/4" NPT X 3/8" J.I.C. STR.
12	1	0301868	TEE, 1/4" FEM. NPT X 1/4" FEM. NPT X 1/4" MALE NPT
13	2	0300113	GREASE FTG., 1/4" - 28 STR.
14	2	0300071	HOSE CLAMP, 1"
15	1	0300165	HOSE ASSEMBLY
16	1	0301824	TILT CYLINDER, L.H.
17	1	0300055	HOSE BARB, 3/4" NPT
18	1	0300052	ELBOW, 1/2" J.I.C. X 5/8" SAE O-RING STR. 90°
19	1	0301900	HOSE ASSEMBLY 5000 PSI
20	4	0301580	SKUFF JACKET
21	1	0301855	TEE
22	1	0301377	TEE
23	1	0301854	RESTRICTOR VALVE
24	1	0301425	CONNECTOR
25	6	0301908	HOSE ASSEMBLY
26	6	0301902	HOSE ASSEMBLY
27	2	0301402	HOSE ASSEMBLY
28	6	0300044	CONNECTOR
29	2	0301485	HOSE ASSEMBLY
30	1	0300010	3-SPOOL VALVE
31	1	0301484	CYLINDER, LIFT
32	1	0300057	RETURN HOSE, 3/4 I.D. X 47" LG.
33	1	0301825	CYLINDER, EXTEND
34	6	0301522	CONNECTOR, 3/8" SAE "O" RING X 3/8" J.I.C.M
35	1	0301823	CYLINDER, TILT, R.H.
36	1	0301375	ELBOW, 3/4" SAE X 3/4" NPT, 90°
37	6	0301413	ELBOW, 3/8" UIC M (BOTH ENDS)
38	1	0300209	ELBOW, 3/8" JIC X 3/8" NPT, 90°
39	7	0400392	3/8" - 16 NC HEX. NUT, NYLOK PL.
40	3	0400140	SCREW, 3/8" - 16 NC X 4" GR. 5 CAP

Section VI - PARTS 411 - F1 WRECKER



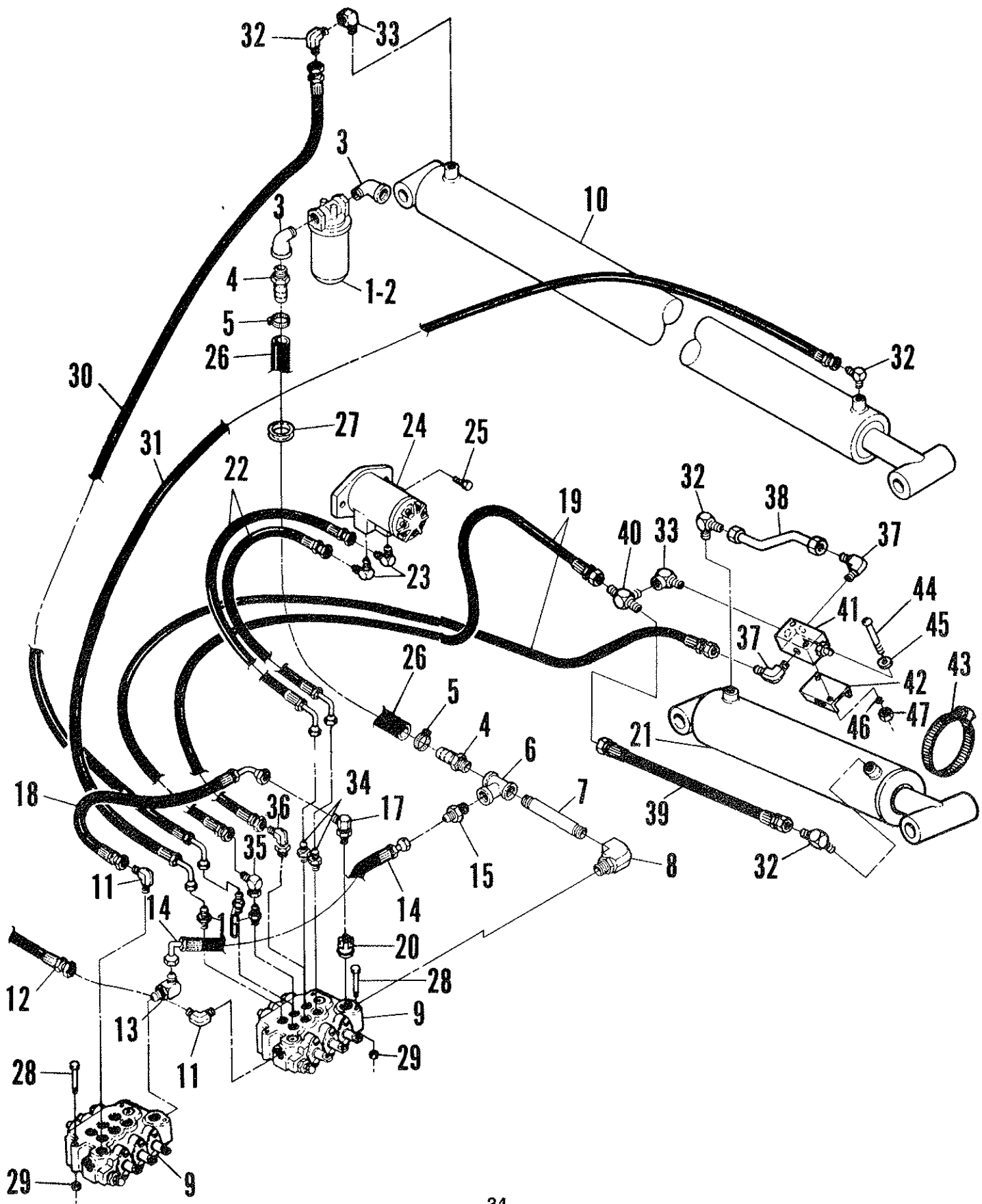
Section VI - PARTS

411 - F1 WRECKER

REF. NO.	NO. REQ'D.	PART NUMBER	DESCRIPTION
1	1	0801376	WRECKER FRAME WELDMENT, SINGLE
2	9	0400260	SCREW, 5/8" - 11 X 2" LG. HEX. HD. CAP, GR. 5
3	9	0400506	WASHER, 5/8" FLAT
4	9	0400421	NUT, 5/8" - 11 NYLON LOCK
5	1	0703094	SUCTION NIPPLE, 3/4" DIA. X 4 1/2" LG.
6	6	0300109	SNAP RING
7	1	0704746	SHAFT, LOWER LIFT CYLINDER
8	1	0704745	SHAFT, UPPER LIFT CYLINDER
9	1	0400121	SCREW, 3/8" - 16 NC X 3/4" LG. HEX. HD. CAP
10	1	0800943	OUTER BOOM WELDMENT
11	1	0703093	RETAINER, SLIDE PAD
12	4	0300679	SLIDE PAD, NYLATRON
13	4	0400060	SCREW, 1/4" - 20 X 1/2" LG. HEX. HD. CAP, GR. 2
14	4	0400452	WASHER, 1/4" LOCK
15	1	0704747	BOOM PIVOT SHAFT
16	1	0703109	FILLER PIPE CAP
17	1	0800941	INNER BOOM WELDMENT
18	6	0300113	GREASE FITTING, STR.
19	1	0900007	BOOM END SWIVEL ASS'Y.
20	1	0300251	WINCH
21	6	0400122	SCREW, 3/8" - 16 NC X 1 1/4" LG. HEX. HD. CAP
22	8	0400482	WASHER, 3/8" LOCK
23	1	0703137	SHAFT, EXT. CYL. BASE END
24	4	0300110	SNAP RING
25	1	0703082	SHAFT, EXT. CYL. ROD END
26	8	0400482	WASHER, 3/8" LOCK

Section VI - PARTS

411 - F1 HYDRAULICS

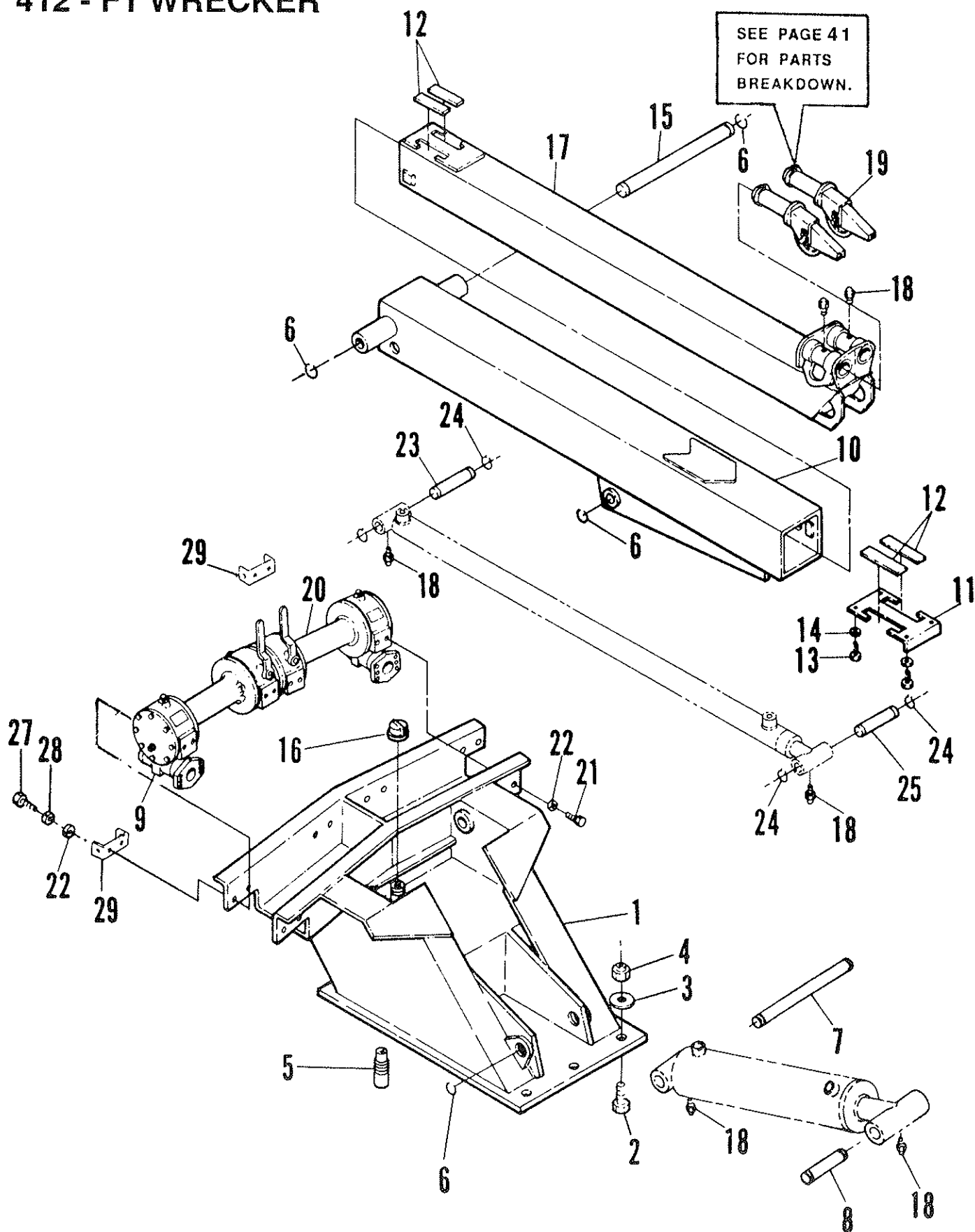


Section VI - PARTS

411 - F1 HYDRAULICS

REF. NO.	NO. REQ'D.	PART NUMBER	DESCRIPTION
1	1	0300136	OIL FILTER ASS'Y.
2	1	0300135	FILTER REPLACEMENT CARTRIDGE
3	2	0300288	STREET ELBOW, 3/4" NPT
4	2	0300055	HOSE BARB, 3/4" HOSE - 3/4" NPT
5	2	0300071	HOSE CLAMP, 1"
6	1	0301387	TEE, 3/4" FEM. NPT
7	1	0301899	NIPPLE, 3/4" X 5" LG. NPT
8	1	0301375	ELBOW, 3/4" SAE MALE X 3/4" NPT. FEM. 90°
9	2	0300010	VALVE, 3 SPOOL
10	1	0301755	BOOM EXTEND CYL.
11	2	0300052	ELBOW, 5/8" SAE MALE X 1/2" J.I.C. MALE 90°
12	1	0300165	HIGH PRESSURE HOSE
13	1	0300814	ELBOW, 3/4" SAE X 1/2" J.I.C. MALE 90°
14	1	0301790	HOSE, 1/2" J.I.C. X 1/2" J.I.C. 90° X 17" LG.
15	1	0301881	CONNECTOR, 3/4" NPT MALE X 1/2" J.I.C. MALE STR.
16	3	0300044	CONNECTOR, 1/2" SAE "O" RING M X 3/8" J.I.C. M
17	1	0301388	ELBOW, 1/2" SAE "O" RING M X 1/2" J.I.C. M 90°
18	1	0301471	HOSE, 1/2" J.I.C. X 1/2" J.I.C. 90° X 30" LG.
19	2	0301902	HOSE, LIFT CYL.
20	1	0300286	ADAPTOR, H.P.C.O.
21	1	0302218	BOOM LIFT CYL.
22	2	0301207	HOSE, WINCH MOTOR
23	2	0300229	ELBOW, 1/2"
24	1	0300090	MOTOR, HYDRAULIC
25	2	0400177	SCREW, 1/2" - 13 X 1 1/4" LG. HEX. HD. CAP, GR. 5
26	1	0300057	RETURN HOSE, 3/4" I.D. X 47" LG.
27	1	0300124	GROMMET, SPLIT
28	6	0400140	SCREW, 3/8" - 16 X 4" LG. HEX. HD. CAP, GR. 5
29	6	0400392	NUT, 3/8" - 16 NYLON LOCK
30	1	0301964	HOSE, 3/8" J.I.C. X 3/8" J.I.C. 90° X 62" LG.
31	1	0301965	HOSE, 3/8" J.I.C. X 3/8" J.I.C. 90° X 128" LG.
32	4	0300142	ELBOW, 1/4" NPT MALE X 3/8" J.I.C. MALE 90°
33	2	0300147	STREET ELBOW, 1/4" NPT FEM. X 1/4" NPT. MALE
34	2	0300041	CONNECTOR, 1/2" SAE "O" RING X 1/2" J.I.C.
35	4	0301696	ELBOW, 90°
36	1	0301470	ELBOW, 1/2" SAE X 3/8" J.I.C. 90°
37	2	0300209	ELBOW, 90°
38	1	0301405	LINE, STEEL
39	1	0302738	HOSE ASS'Y, 16"
40	1	0300206	TEE
41	1	0301731	HOLDING VALVE
42	1	0703001	BRACKET, HOLDING VALVE MOUNTING
43	1	0300133	CLAMP, BRACKET
44	2	0400064	SCREW, 1/4"-20 X 2 1/4" LG. RD. HD. PL.
45	2	040051	WASHER, 1/4" FLAT PL.
46	2	0400452	WASHER, 1/4" LOCK PL.
47	2	0400366	NUT, 1/4-20 HEX PL.

Section VI - PARTS 412 - F1 WRECKER



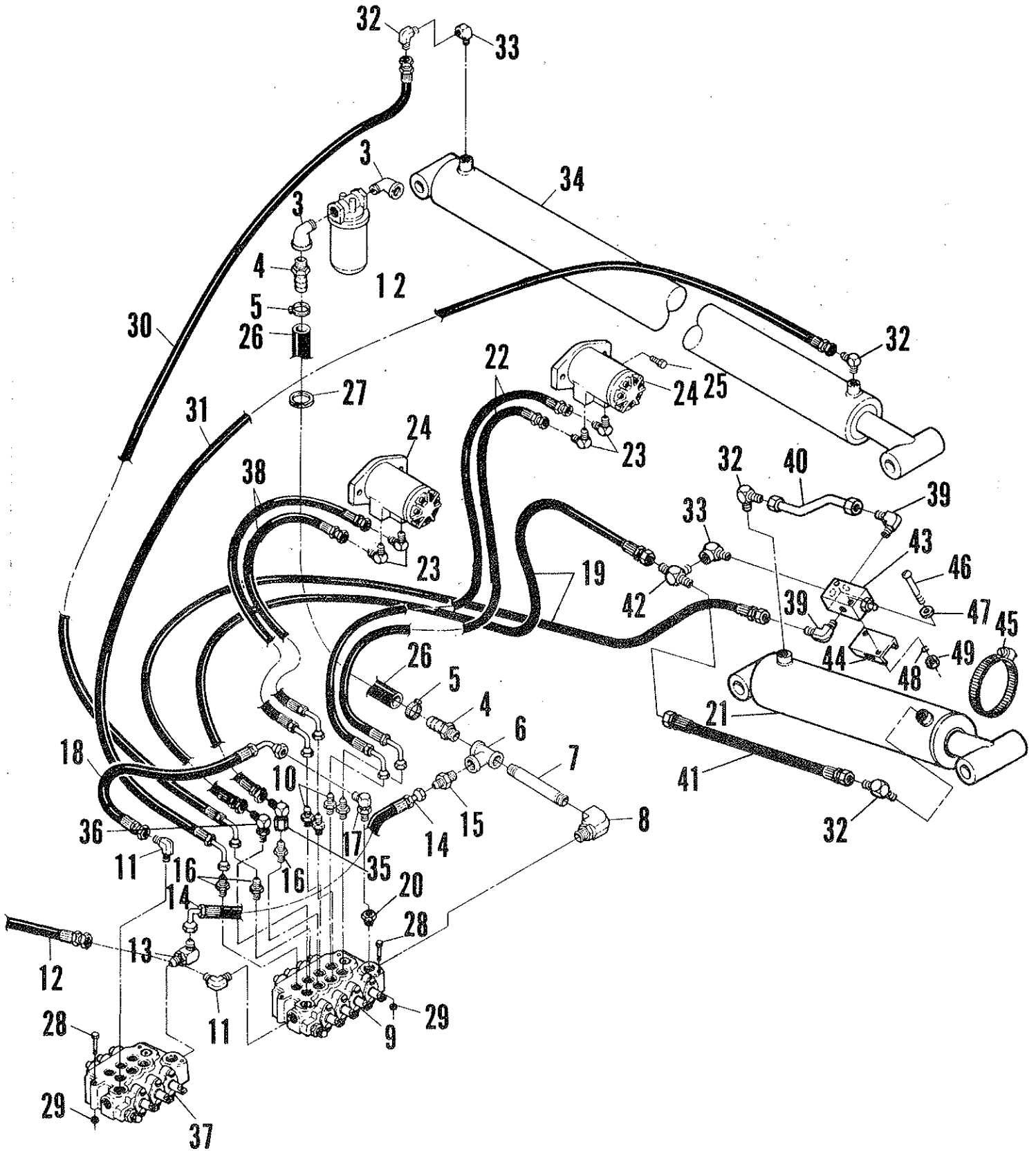
Section VI - PARTS

412 - F1 WRECKER

REF. NO.	NO. REQ'D.	PART NUMBER	DESCRIPTION
1	1	0801375	WRECKER FRAME WELDMENT, DUAL
2	9	0400260	SCREW, 5/8" - 11 X 2" LG. HEX. HD. CAP. GR. 5
3	9	0400506	WASHER, 5/8" FLAT
4	9	0400421	NUT, 5/8" - 11 NYLON LOCK
5	1	0703094	SUCTION NIPPLE, 3/4" DIA. X 4 1/2" LG.
6	6	0300109	SNAP RING
7	1	0704746	SHAFT, LOWER LIFT CYL.
8	1	0704745	SHAFT, UPPER LIFT CYL.
9	1	0300251	WINCH ASS'Y., LEFT
10	1	0800943	OUTER BOOM WELDMENT
11	1	0703093	RETAINER, SLIDE PAD
12	4	0300679	SLIDE PAD, NYLATRON
13	4	0400060	SCREW, 1/4" - 20 X 1/2" LG. HEX. HD. CAP. GR. 2
14	4	0400452	WASHER, 1/4" LOCK
15	1	0704747	BOOM PIVOT SHAFT
16	1	0703109	FILLER PIPE CAP
17	1	0800942	INNER BOOM WELDMENT
18	8	0300113	GREASE FITTING, STR.
19	2	0900007	BOOM END SWIVEL ASS'Y.
20	1	0300250	WINCH ASS'Y RIGHT REAR, ROUND SHAFT
21	2	0400121	SCREW, 3/8" - 16 NC X 3/4" LG. HEX. HD. CAP
22	16	0400482	WASHER, 3/8" LOCK
23	1	0703137	SHAFT, EXT. CYL. BASE END
24	4	0300110	SNAP RING
25	1	0703082	SHAFT, EXT. CYL. ROD END
26	12	0400122	SCREW, 3/8" - 16 NC X 1 1/4" LG. HEX. HD. CAP
27	2	0400150	SCREW, 3/8" - 16 NC X 2 1/2" LG. HEX. HD. CAP
28	2	0400393	JAM NUT, 3/8" - 16 NC HEX.
29	2	0702408	MOUNTING CHANNEL (SEE PAGE 50 FOR WINCH CLUTCH CONTROL BREAKDOWN)

Section VI - PARTS

412 - F1 HYDRAULICS



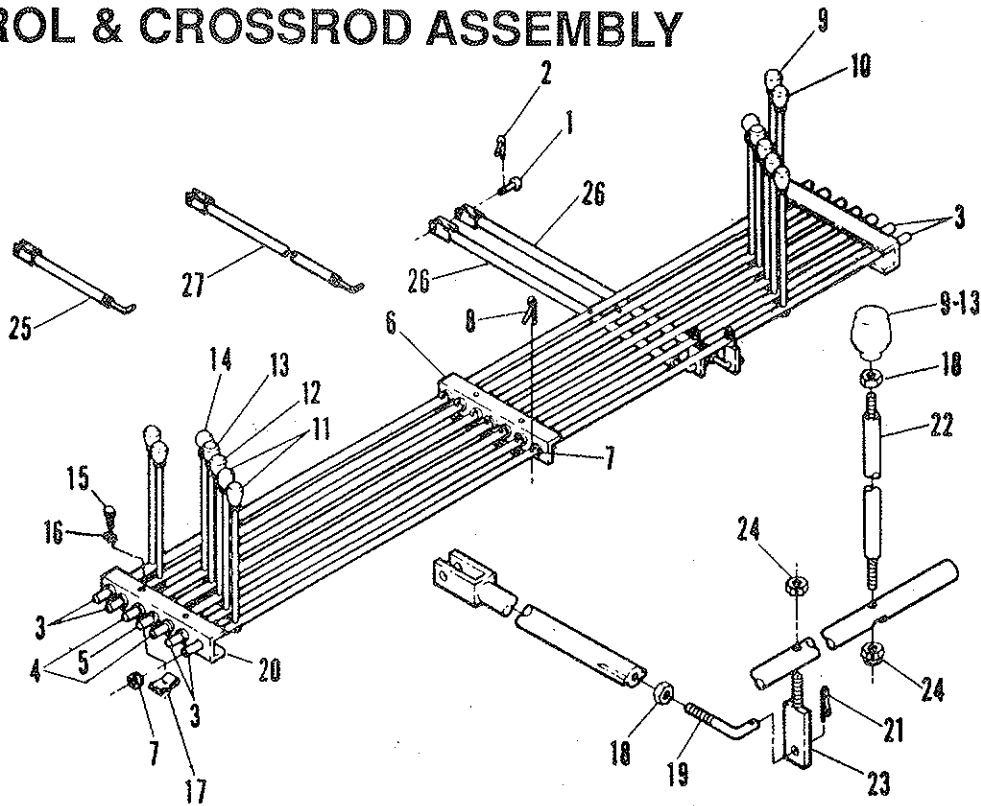
Section VI - PARTS

412 - F1 HYDRAULICS

REF. NO.	NO. REQ'D.	PART NUMBER	DESCRIPTION
1	1	0300136	OIL FILTER ASS'Y
2	1	0300135	FILTER REPLACEMENT CARTRIDGE
3	2	0300288	STREET ELBOW, 3/4" NPT
4	2	0300055	HOSE BARB, 3/4" HOSE - 3/4" NPT
5	2	0300071	HOSE CLAMP, 1"
6	1	0301387	TEE, 3/4" FEM, NPT
7	1	0301899	NIPPLE, 3/4" X 5" LG. NPT
8	1	0301375	ELBOW, 3/4" SAE MALE X 3/4" NPT FEM 90°
9	1	0300011	VALVE, 4 SPOOL
10	4	0300041	CONNECTOR, 1/2" SAE "O" RING X 1/2" J.I.C.
11	2	0300052	ELBOW, 5/8" SAE MALE X 1/2" J.I.C. MALE 90°
12	1	0300165	HIGH PRESSURE HOSE
13	1	0300814	ELBOW, 3/4" SAE X 1/2" J.I.C. MALE 90°
14	1	0301790	HOSE, 1/2" J.I.C. X 1/2" J.I.C. 90° X 17" LG.
15	1	0301881	CONNECTOR, 3/4" NPT MALE 1/2" J.I.C. MALE STR.
16	4	0300044	CONNECTOR, 1/2" SAE "O" RING X 3/8" J.I.C. M
17	1	0301388	ELBOW, 1/2" SAE "O" RING M X 1/2" J.I.C. M 90°
18	1	0301471	HOSE, 1/2" J.I.C. X 1/2" J.I.C. 90° X 30" LG.
19	2	0301902	HOSE, LIFT CYLINDER
20	1	0300286	ADAPTOR, H.P.C.O.
21	1	0302218	BOOM LIFT CYLINDER
22	2	0301207	HOSE, WINCH MOTOR
23	4	0300229	ELBOW, 1/2"
24	2	0300090	MOTOR, HYDRAULIC
25	4	0400177	SCREW, 1/2" - 13 X 1 1/4" LG. HEX. HD. CAP. GR. 5
26	1	0300057	RETURN HOSE, 3/4" I.D. X 47" LG.
27	1	0300124	GROMMET, SPLIT
28	6	0400140	SCREW, 3/8" - 16 X 4" LG. HEX. HD. CAP. GR. 5
29	6	0400392	NUT, 3/8" - 16 NYLON LOCK
30	1	0301964	HOSE, 3/8" J.I.C. X 3/8" J.I.C. 90° X 62" LG.
31	1	0301965	HOSE, 3/8" J.I.C. X 3/8" J.I.C. 90° X 128" LG.
32	3	0300142	ELBOW, 1/4" NPT MALE X 3/8" J.I.C. 90°
33	2	0300147	STREET ELBOW, 1/4" NPT FEM. X 1/4" NPT MALE
34	1	0301755	BOOM EXTEND CYLINDER
35	1	0301696	ELBOW, 1/2" SAE X 3/8" J.I.C. 90°
36	1	0301696	ELBOW, 3/8" J.I.C. (MALE) X 3/8" J.I.C. (FEMALE), 90°
37	1	0300010	VALVE, 3 SPOOL
38	2	0301893	WINCH MOTOR HOSE, L.H.
39	2	0300209	ELBOW, 90°
40	1	0301405	LINE, STEEL
41	1	0302738	HOSE ASS'Y, 16"
42	1	0300206	TEE
43	1	0301731	HOLDING VALVE
44	1	0703001	BRACKET, HOLDING VALVE MOUNTING
45	1	0300133	CLAMP, BRACKET
46	2	0400064	SCREW, 1/4" - 20 X 2 1/4" LG. RD. HD. PL.
47	2	0400451	WASHER, 1/4" FLAT PL.
48	2	0400452	WASHER, 1/4" LOCK PL.
49	2	0400366	NUT, 1/4" - 20 HEX. PL.

Section VI - PARTS

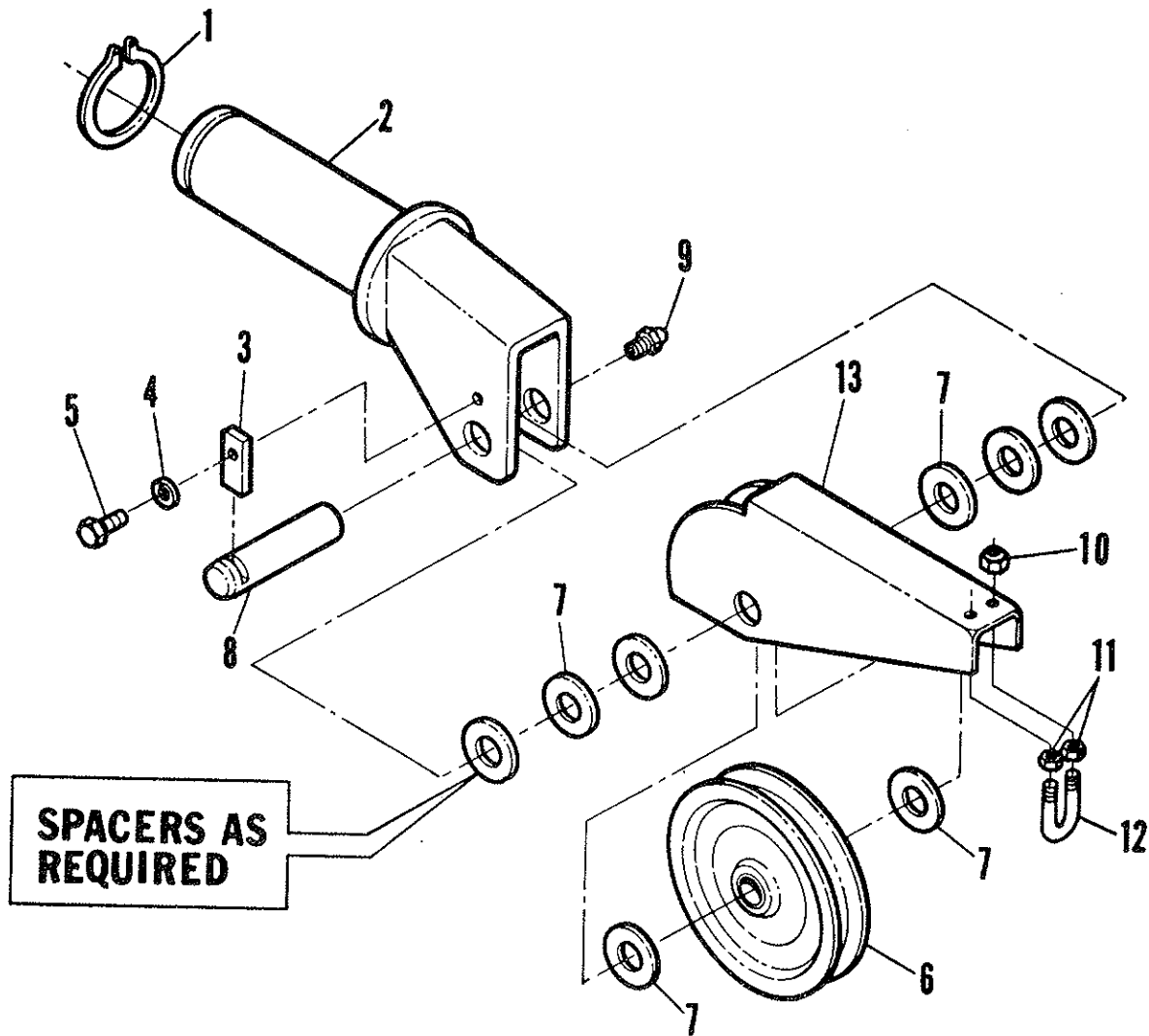
CONTROL & CROSSROD ASSEMBLY



REF. NO.	NO. REQ'D.	PART NUMBER	DESCRIPTION
1	7	0400527	CLEVIS PIN, 5/16" DIA. COTTERLESS S.S.
2	7	0400541	COTTER PIN, 1/16" X 3/4"
3	4	0704529	CROSSROD - WRECKER
4	2	0703528	CROSSROD -W/L
5	1	0704530	CROSSROD - TILT
6	1	0703501	ANGLE, CROSS ROD BEARING
7	21	0300122	GROMMET, SPLIT PLASTIC
8	14	0400539	COTTER PIN, 3/16" X 1 1/2"
9	2	0300837	KNOB, WRECKER BOOM "IN-OUT" (BLACK)
10	2	0300835	KNOB, WRECKER BOOM "UP-DN" (BLACK)
11	2	0300834	KNOB, CABLE "IN-OUT" (RED)
12	2	0301428	KNOB, W/L "UP-DN" (GREY)
13	2	0301429	KNOB, W/L "IN-OUT" (GREY)
14	2	0301720	KNOB, W/L "TILT" (ROUND BLACK)
15	6	0400063	SCREW, 1/4" - 20 X 1 1/2" LG. HEX. HD. CAP
16	6	0400452	LOCKWASHER, 1/4 EXT. TOOTH
17	6	0400370	CLIP, 1/4" TINNEMAN
18	21	0400393	NUT, 3/8" - 16 JAM
19	--	0701099	EXTENSION, CONTROL ROD LONG
20	2	0704517	CHANNEL, CROSS ROD BEARING
21	7	0400543	COTTER PIN, 1/8" X 3/4"
22	14	0704527	LEVER, CONTROL
23	7	0800604	ARM, CROSS CONTROL
24	21	0400390	NUT, 3/8" - 16 JAM ESLOK
25	--	0800612	CONTROL ROD SHORT
26	--	0800613	CONTROL ROD LONG
27	--	0800955	CONTROL ROD MED.

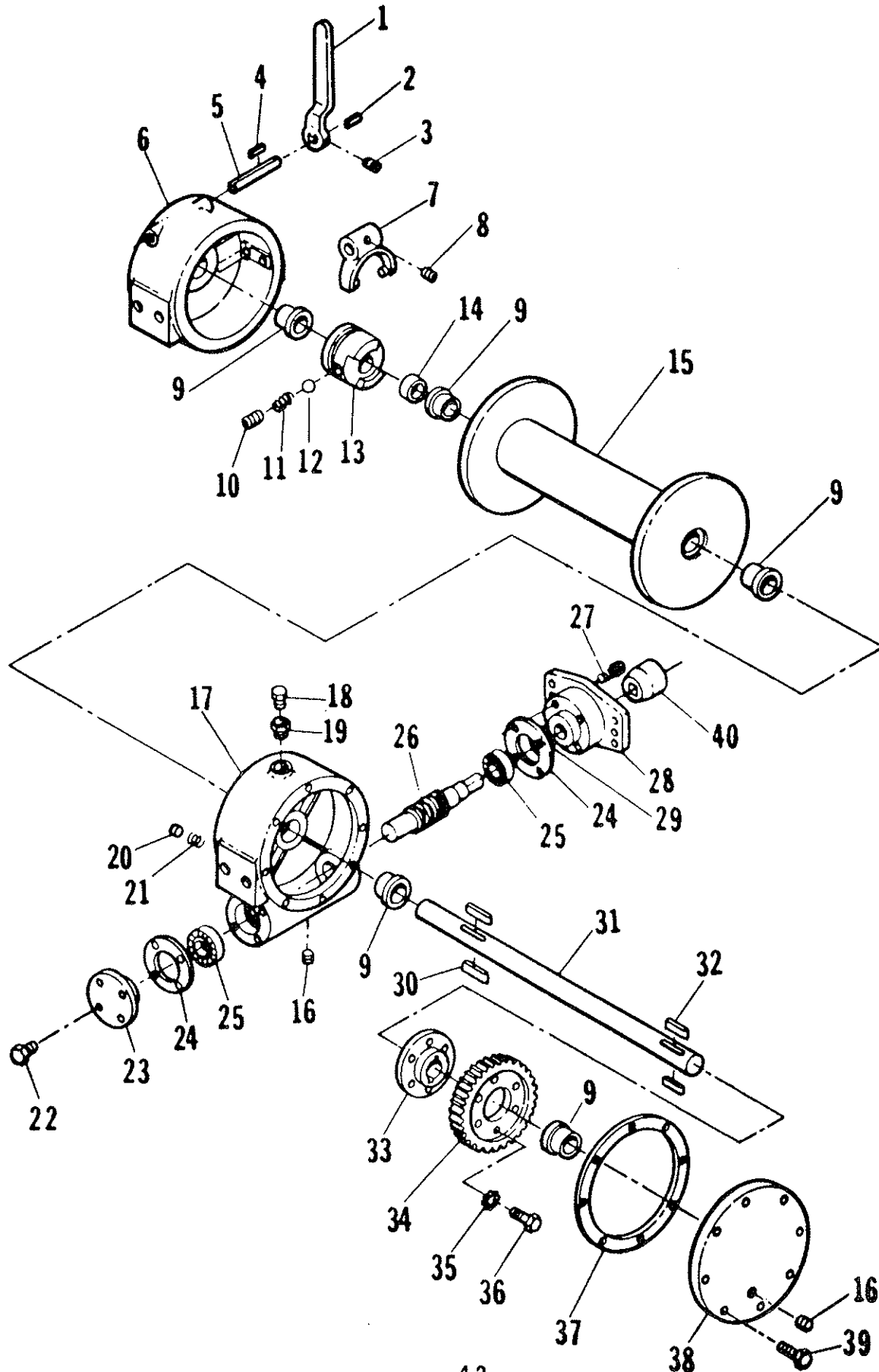
Section VI - PARTS

BOOM END ASSEMBLY



REF. NO.	NO. REQ'D.	PART NUMBER	DESCRIPTION
1	1	0300108	SNAP RING, 2-1/2" DIA. EXT.
2	1	0800003	BOOM END SWIVEL
3	1	0700032	SHAFT RETAINER
4	1	0400452	1/4" LOCKWASHER
5	1	0400060	1/4" - 20 NC X 1/2" HEX. HD. CAPSCREW GR. 5
6	1	0300022	6" SHEAVE
7	2	0700166	WASHER - SPACER
8	1	0700056	SHAFT
9	1	0300113	GREASE FITTING
10	2	0400392	3/8" - 16 NC HEX. NYLOC NUT
11	2	0400393	3/8" - 16 NC HEX. JAM NUT
12	1	0301531	"U" BOLT (FROM 3/8" CABLE CLAMP)
13	1	0800735	CABLE GUIDE

Section VI - PARTS HYDRAULIC WINCH



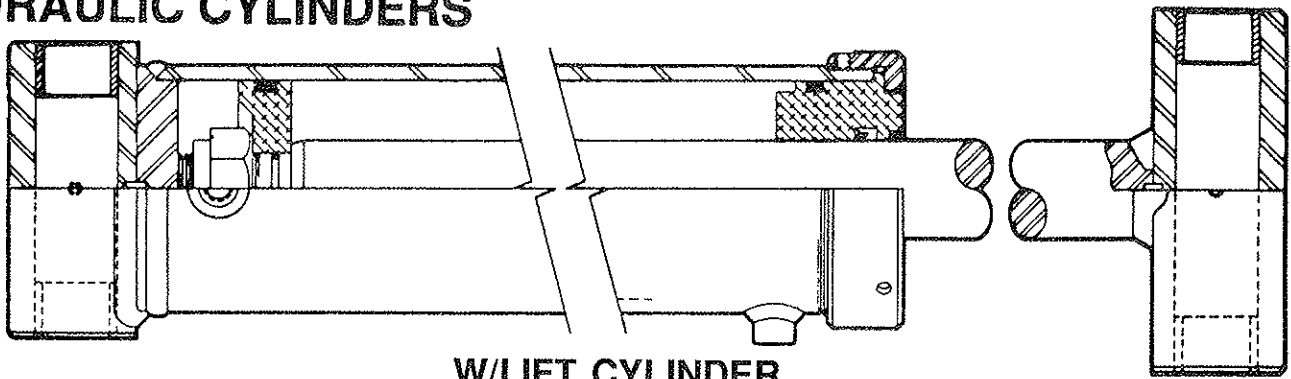
Section VI - PARTS

HYDRAULIC WINCH

REF. NO.	NO. REQ'D.	PART NUMBER	DESCRIPTION
1	1	0300261	LEVER
2	1	0300448	KEY
3	1	0300449	SCREW
4	1	0300450	KEY
5	1	0300451	SHAFT
6	1	0300452	CLUTCH HOUSING
7	1	0300398	YOKE
8	1	0300399	SCREW
9	5	0300453	BUSHING
10	1	0300454	SCREW
11	1	0300455	SPRING
12	1	0300456	BALL
13*	1	—	CLUTCH
14	1	0300458	SPACER
15	1	0300381	DRUM
16	2	0300459	PLUG
17	1	0300460	HOUSING
18	1	0300461	PLUG
19	1	0300462	REDUCER
20	1	0300463	DRAG BRAKE
21	1	0300464	SPRING
22	16	0300465	SCREW
23	1	0300466	CAP
24	2	0300447	GASKET
25	2	0300467	BEARING
26	1	0300468	WORM
27	1	0300695	SCREW
28	1	0300694	CAP, ADAPTOR
29	1	0300471	SEAL
30*	2	—	KEY
31*	1	—	SHAFT
32*	2	—	KEY
33	1	0300472	HUB
34	1	0300473	GEAR
35	6	0300474	WASHER
36	6	0300475	SCREW
37	1	0300476	GASKET
38	1	0300477	COVER
39	4	0300569	SCREW
40	1	0300290	COUPLING

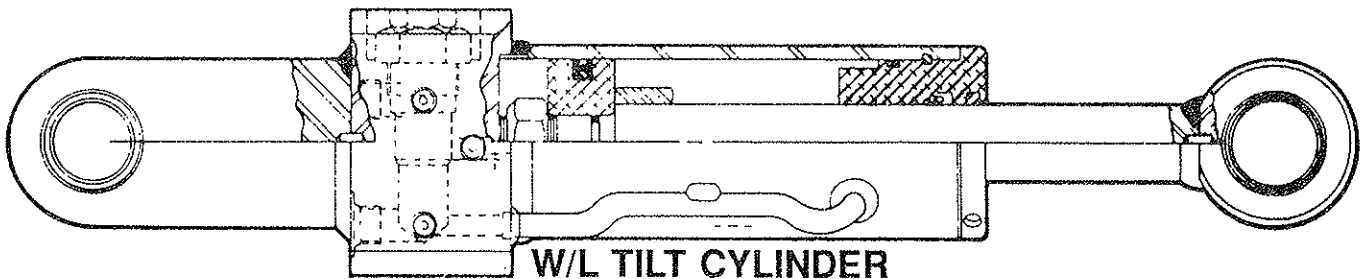
*When Ordering Specify Winch Serial Number

Section VI - PARTS
FORMULA I - DUPLEX TILT WHEEL LIFT
HYDRAULIC CYLINDERS



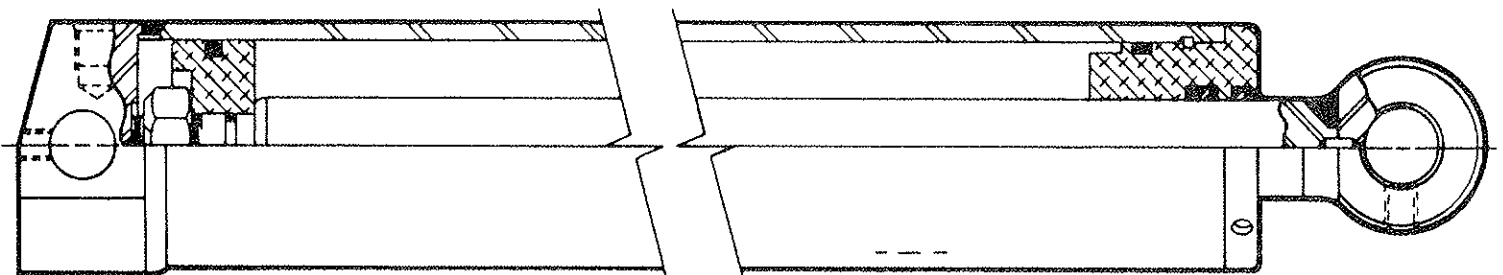
W/LIFT CYLINDER

REF. NO.	NO. REQ'D.	PART NUMBER	DESCRIPTION
1	1	0301484	HYDRAULIC CYLINDER, LIFT (COMPLETE)
2	1	0304181	SEAL KIT, LIFT CYLINDER



W/L TILT CYLINDER

REF. NO.	NO. REQ'D.	PART NUMBER	DESCRIPTION
1	1	0301824	HYDRAULIC CYLINDER, TILT (COMPLETE)L.H.
2	1	0301823	HYDRAULIC CYLINDER, TILT (COMPLETE)R.H.
3	2	0304241	SEAL KIT, TILT CYLINDER

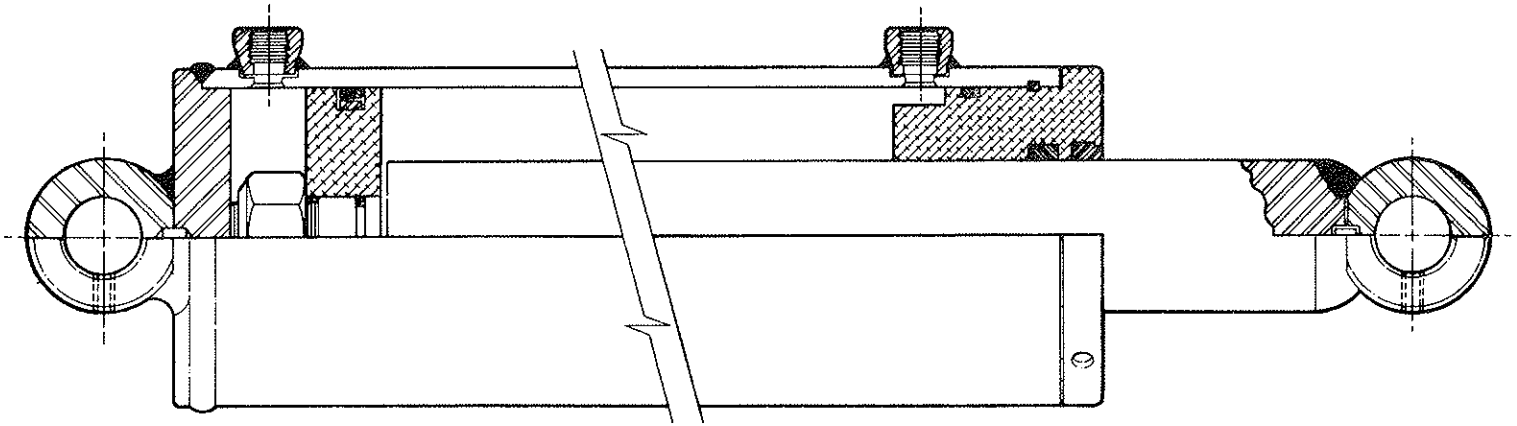


W/L EXTEND CYLINDER

REF. NO.	NO. REQ'D.	PART NUMBER	DESCRIPTION
1	1	0301825	HYDRAULIC CYLINDER, EXTEND (COMPLETE)
2	1	0304086	SEAL KIT, EXTEND CYLINDER

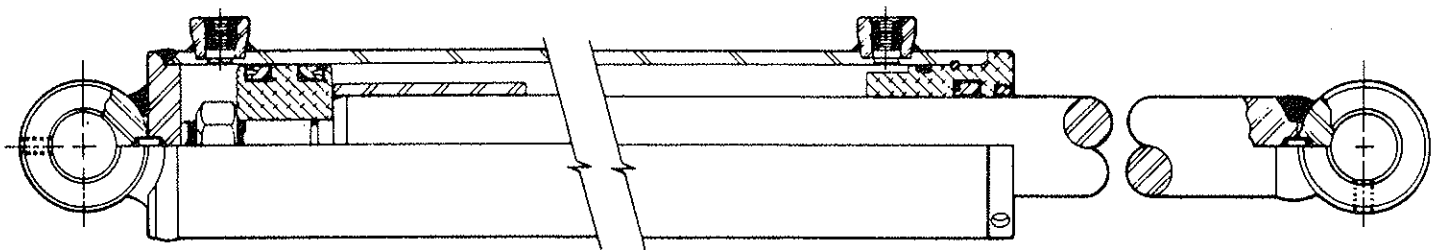
Section VI - PARTS

411 & 412 WRECKER HYDRAULIC CYLINDERS



BOOM CYLINDER

REF. NO.	NO. REQ'D	PART NUMBER	DESCRIPTION
1	1	0302218	HYDRAULIC CYLINDER, LIFT (COMPLETE)
2	1	0300625	SEAL KIT, LIFT CYLINDER

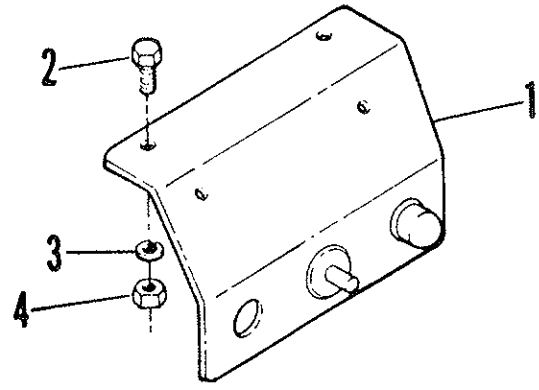


BOOM EXTEND CYLINDER

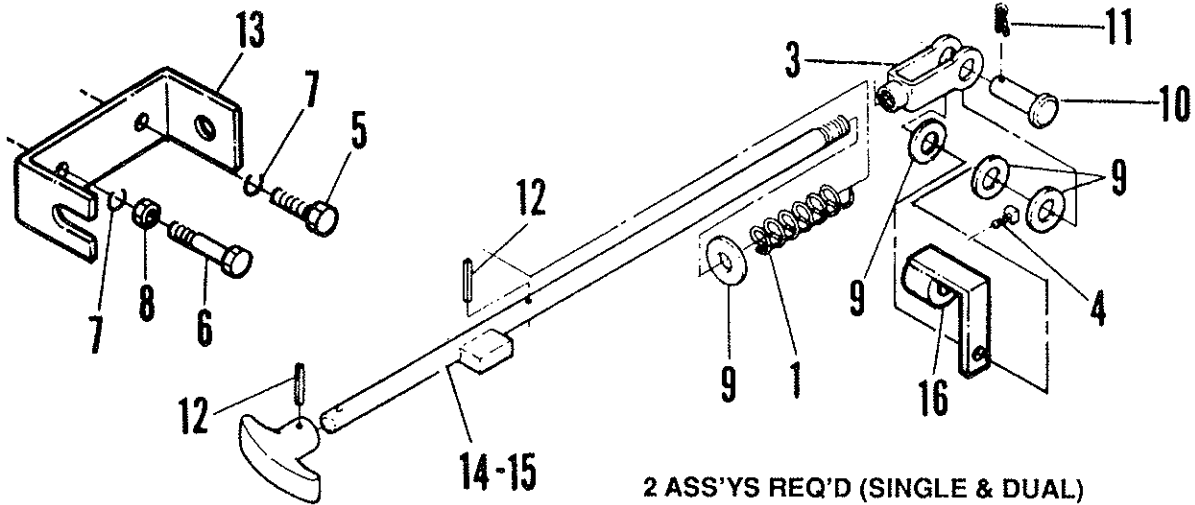
REF. NO.	NO. REQ'D.	PART NUMBER	DESCRIPTION
1	1	0301755	HYDRAULIC CYLINDER, EXTEND (COMPLETE)
2	1	0300624	SEAL KIT, EXTEND CYLINDER

Section VI - PARTS

STANDARD PTO PANEL & WINCH CLUTCH CONTROL



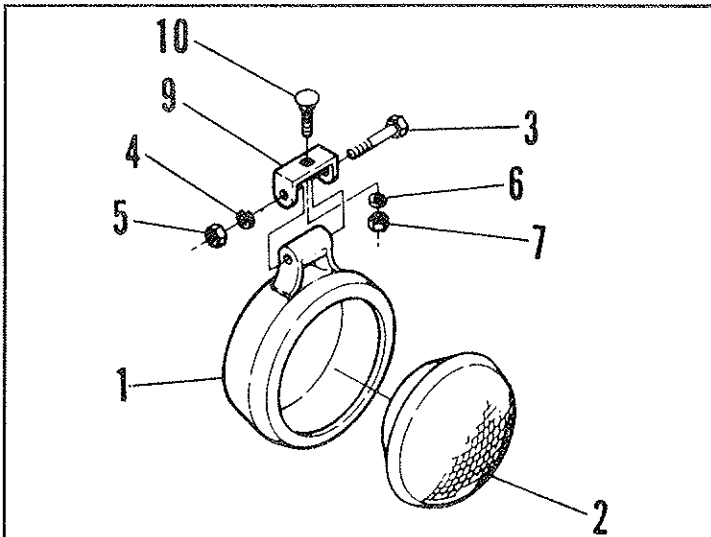
REF. NO.	NO. REQ'D.	PART NUMBER	DESCRIPTION
1	1	0301675	PANEL (COMPLETE)
2	2	0400061	SCREW, 1/4" - 20 x 3/4"
3	2	0400452	LOCKWASHER, 1/4"
4	2	0400366	NUT, 1/4" - 20 HEX



REF. NO.	NO. REQ'D.	PART NUMBER	DESCRIPTION
1	1	0300845	SPRING, COMPRESSION
2	1	0301532	"T" HANDLE
3	1	0301588	ADJUSTING YOKE
4	1	0400116	SCREW, 5/16" - 18 X 1/2" LG. SQ. HD. SET
5	1	0400122	SCREW, 3/8" - 16 X 1-1/4" LG. HEX. HD. CAP (DUAL WINCH)
-	1	0400126	SCREW, 3/8" - 16 X 1" LG. HEX. HD. CAP (SINGLE WINCH)
6	1	0400150	SCREW, 3/8" - 16 X 2-1/2" LG. HEX. HD. CAP
7	2	0400482	WASHER, 3/8" LOCK
8	1	0400393	NUT, 3/8" - 16 JAM
9	4	0400492	WASHER, 1/2" FLAT
10	1	0400537	PIN, 1/2" DIA. X 1-1/2" LG. CLEVIS
11	1	0400546	PIN, 1/8" X 1-1/4" LG. COTTER
12	2	0400560	PIN, 5/32" X 1" LG. ROLL
13	1	0702408	MOUNTING CHANNEL
14	1	0800780	CONTROL ROD, SINGLE WINCH
15	1	0800781	CONTROL ROD, DUAL WINCH
16	1	0800779	WELDMENT, BELL CRANK

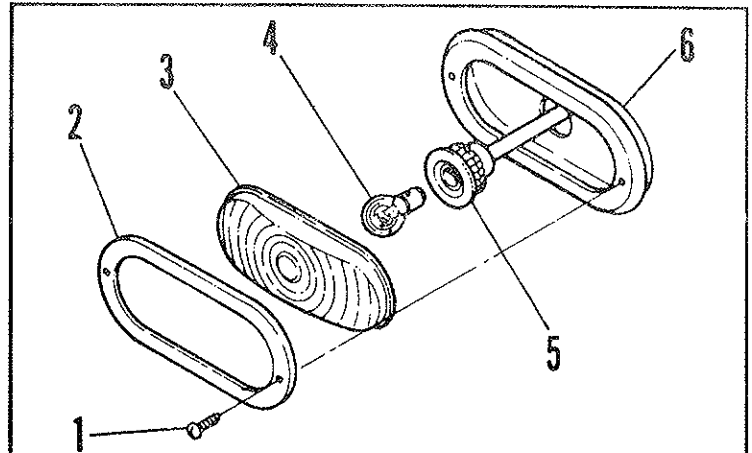
Section VI - PARTS

LIGHT KIT



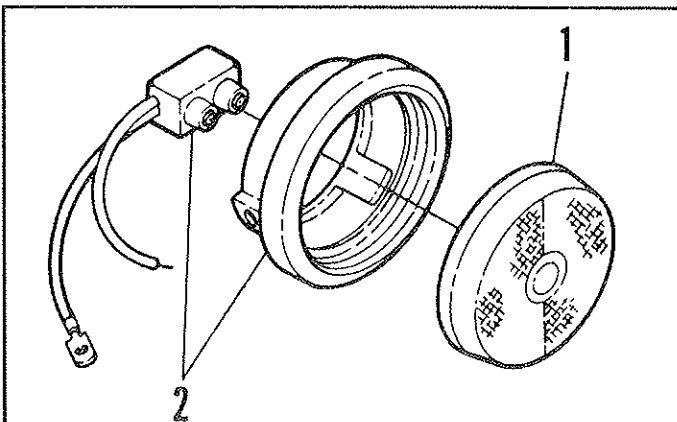
BACK-UP LIGHT

- 1. 0304147 HOUSING, BACK-UP LIGHT
- 2. 0304152 BULB, BACK-UP LIGHT
- 3. 0304151 PIVOT SCREW, BACK-UP LIGHT
- 4. 0304150 PIVOT SCREW LOCKWASHER, BACK-UP LIGHT
- 5. 0304153 PIVOT SCREW NUT, BACK-UP LIGHT
- 6. 0304150 MTG. SCREW LOCKWASHER, BACK-UP LIGHT
- 7. 0304153 MTG. SCREW NUT, BACK-UP LIGHT
- 8. 0301505 LIGHT, BACK-UP COMPLETE
- 9. 0304148 MOUNTING BRACKET
- 10. 0304149 MOUNTING SCREW, BACK-UP LIGHT



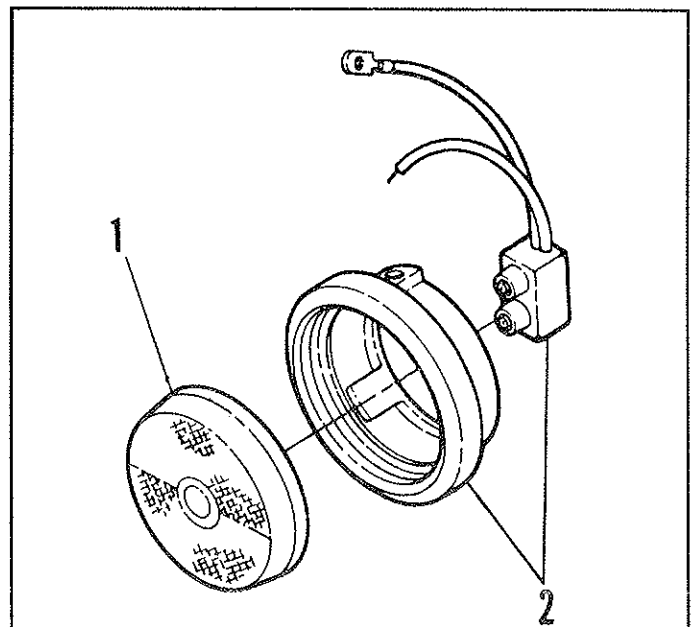
STOP & TURN LIGHT

- 1. 0304123 BEZEL MTG. SCREW, STOP & TURN LIGHT
- 2. 0304124 CHROME BEZEL, STOP & TURN LIGHT
- 3. 0304125 LENS ASS'Y., STOP & TURN LIGHT
- 4. 0300498 BULB STOP & TURN LIGHT
- 5. 0304126 LIGHT SOCKET, STOP & TURN LIGHT
- 6. 0304127 RUBBER MTG. GROMMET, STOP & TURN LIGHT
- 7. 0301390 LIGHT, STOP & TURN (COMPLETE)



MARKER LIGHTS

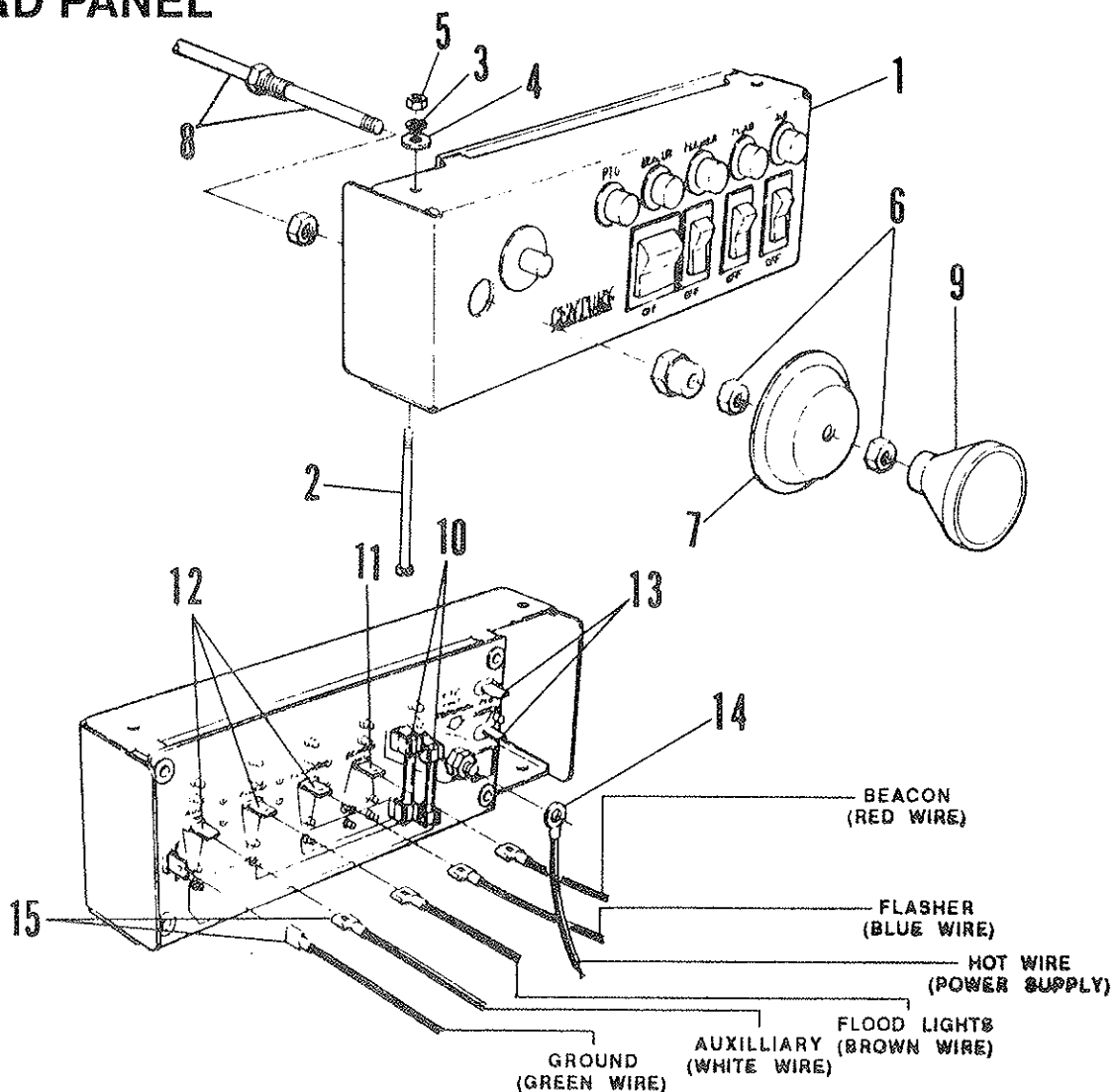
- 1. 0301741 LIGHT ASS'Y., RED
- 2. 0301740 GROMMET MOUNTING KIT



MARKER LIGHTS

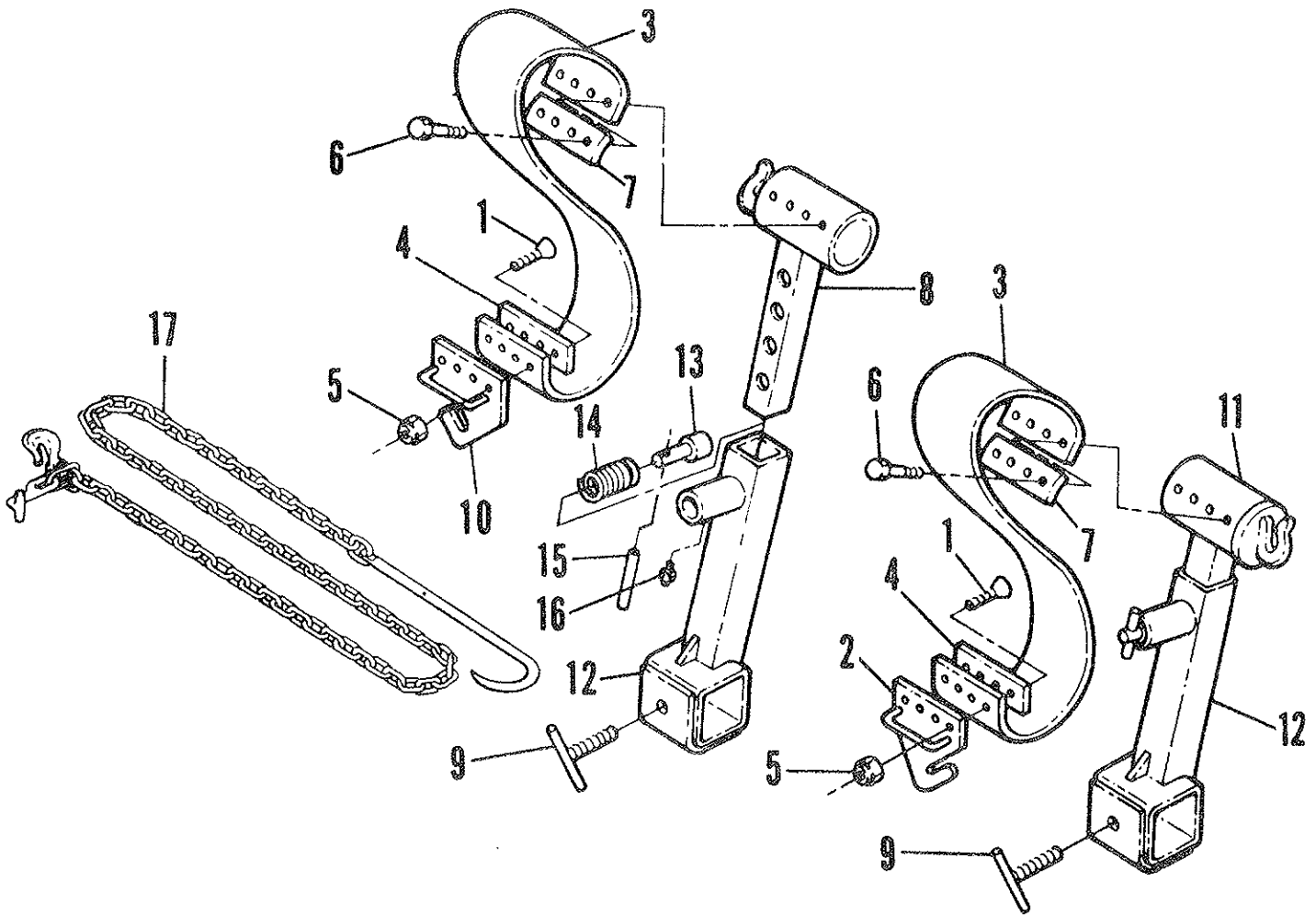
- 1. 0301742 LIGHT ASS'Y., AMBER
- 2. 0301740 GROMMET MOUNTING KIT

Section VII - OPTIONAL EQUIPMENT DASHBOARD PANEL



REF. NO.	NO. REQ'D.	PART NUMBER	DESCRIPTION
1	1	0304155	SWITCH PANEL HOUSING
2	2	0304156	MTG. SCREW #10 - 32 X 3-3/8"
3	2	0304157	LOCKWASHER, #10 EXT. TOOTH
4	2	0304158	FLATWASHER, #10
5	2	0304166	NUT, 10-32
6	2	0304160	JAM NUT
7	1	0304161	ACTUATOR DISK
8*	1	—	PTO CABLE, 14 FT. (*Specify Make & Model of Truck)
9	1	0304163	PTO KNOB
10	2	0304162	CIRCUIT BREAKER, 40 AMP
11	1	0304154	SWITCH, DOUBLE POLE, SINGLE THROW
12	2	0304006	SWITCH, SINGLE POLE, SINGLE THROW
13	1	0304164	PTO LIGHT SWITCH
14	1	0301503	RING CONNECTOR
15	3	0304165	SPADE CONNECTOR

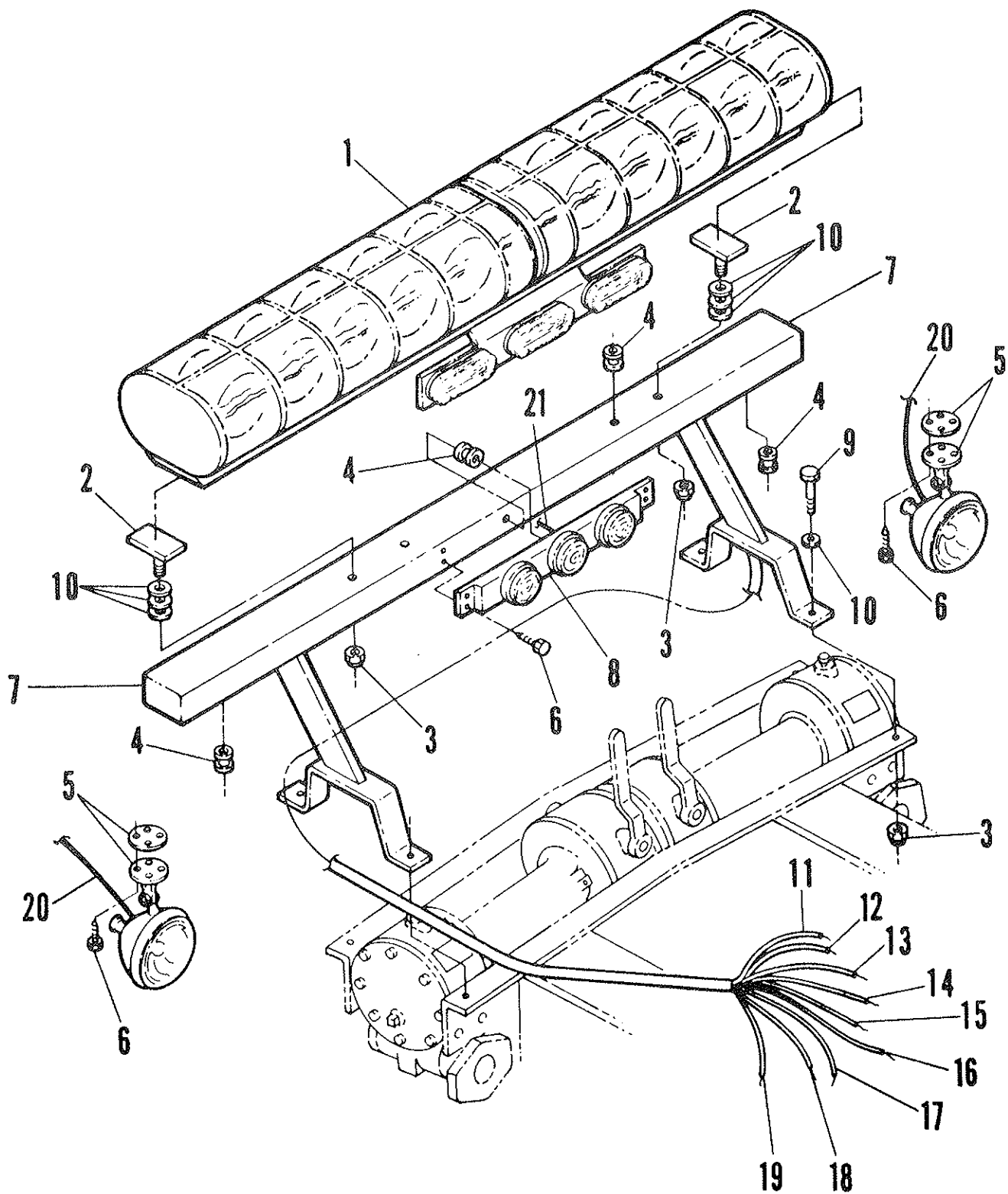
Section VII - OPTIONAL EQUIPMENT TOW SLING ADAPTORS



REF. NO.	NO. REQ'D.	PART NUMBER	DESCRIPTION
1	8	0400156	SCREW, 3/8" - 16 X 1 1/4" FLAT HD. SOC.
2	1	0800608	CHAIN KEEPER, LEFT
3	2	0701919	TOW SLING BELT
4	2	0701920	GRIP PLATE
5	8	0400392	NUT, 1/8" - 16 NYLOK
6	8	0400105	SCREW, 5/8" - 18 X 1 1/4" SELF-TAPPING
7	2	0701921	BELT RETAINER
8	1	0800693	INNER ADJUSTMENT TUBE, RIGHT
9	2	0800590	TEE HANDLE
10	1	0800609	CHAIN KEEPER, RIGHT
11	1	0800692	INNER ADJUSTMENT TUBE, LEFT
12	2	0800823	MOUNTING BRACKET
13	2	0700154	PIN, PLUNGER
14	2	0300004	SPRING, PLUNGER
15	2	0400568	ROLL PIN
16	2	0300113	GREASE FITTING
17	2	0900176	"J" HOOK ASS'Y.

Section VII - OPTIONAL EQUIPMENT

LIGHTING ACCESSORIES - 411 & 412



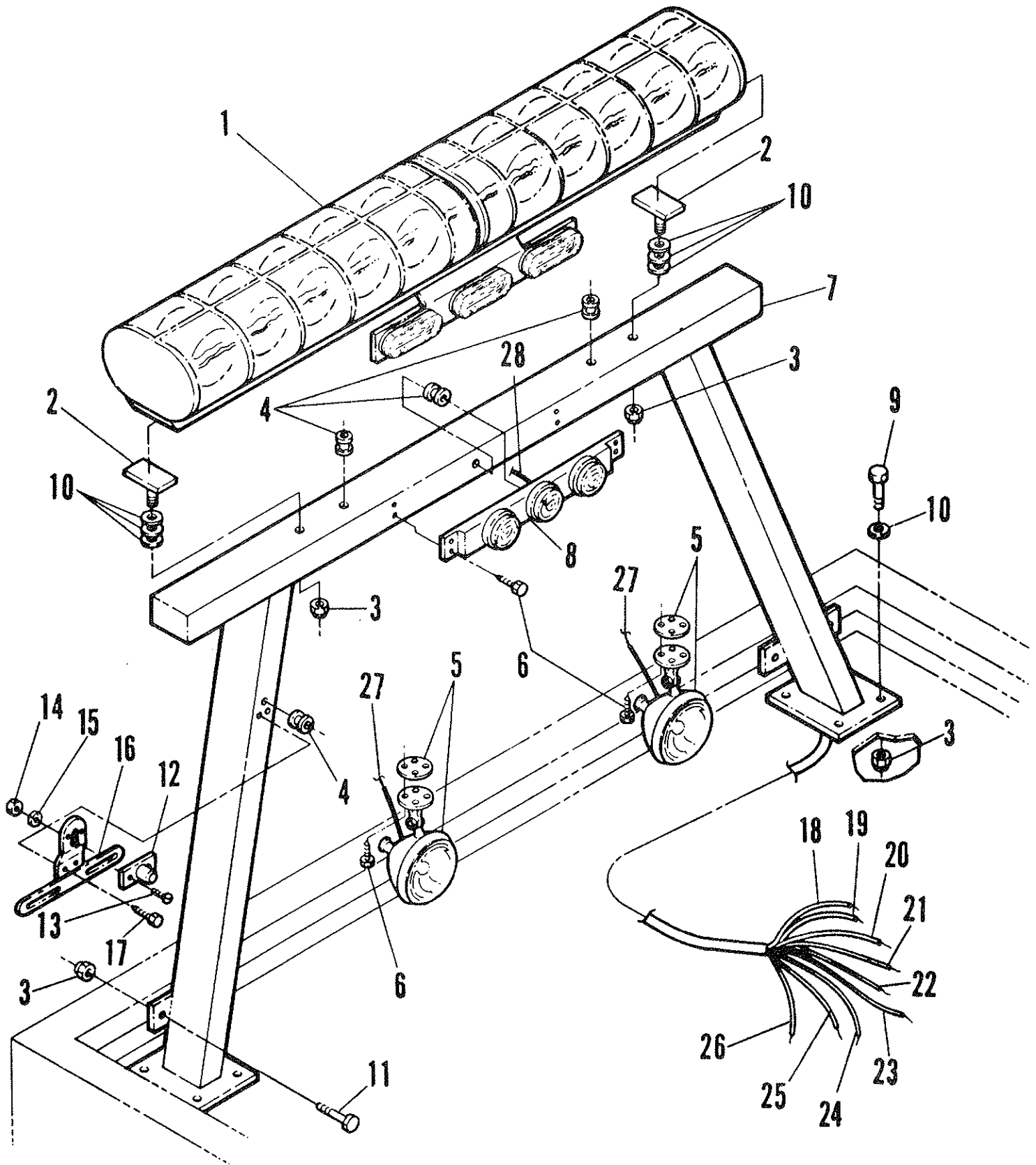
Section VII - OPTIONAL EQUIPMENT LIGHTING ACCESSORIES - 411 & 412

REF. NO.	NO. REQ'D.	PART NUMBER	DESCRIPTION
1	1	0301359	WRECKER SPECIAL LIGHT
2	2	0800539	"T" BOLT ADAPTOR
3	14	0400392	NUT, 3/8" - 16 HEX. HD. NYLOK
4	3	0300117	RUBBER GROMMET
5	2	0300095	SPOTLIGHT W/GASKET
6	12	0400027	SCREW, #8-32 X 5/8" SELF-TAPPING
7	1	0801110	LIGHT BAR FOR WRECKER
8	1	0300442	3 BAR LIGHT
9	4	0400122	SCREW, 3/8" - 16 X 1-1/4" HEX. HD.
10	18	0400480	FLAT WASHER, 3/8"

WIRING

REF. NO.	COLOR	DESCRIPTION	TERMINATION
11	GREY		NOT CONNECTED
12	BROWN W/WHITE STRIPE		NOT CONNECTED
13	BLUE	FLASHING LIGHTS	CONNECT TO RED (21) RUN TO PANEL
14	RED	ROTATING LIGHTS	CONNECT TO BLUE (20)
15	BROWN	TAIL LIGHTS	CONNECT TO BLACK ON BODY HARNESS
16	ORANGE	FLOOD LIGHTS	CONNECT TO BROWN ON BODY HARNESS
17	BLACK	GROUND	CONNECT TO CHASSIS OR BODY
18	GREEN	R. TURN/STOP	CONNECT TO BLUE ON BODY HARNESS
19	YELLOW	L. TURN/STOP	CONNECT TO YELLOW ON BODY HARNESS
20	BLACK	SPOTLIGHTS	CONNECT TO BROWN ON BODY HARNESS
21	BLACK	3-BAR LIGHT	CONNECT TO BLACK ON BODY HARNESS

Section VII - OPTIONAL EQUIPMENT LIGHTING ACCESSORIES FORMULA I, Duplex Tilt



Section VII - OPTIONAL EQUIPMENT

LIGHTING ACCESSORIES FORMULA I, Duplex Tilt

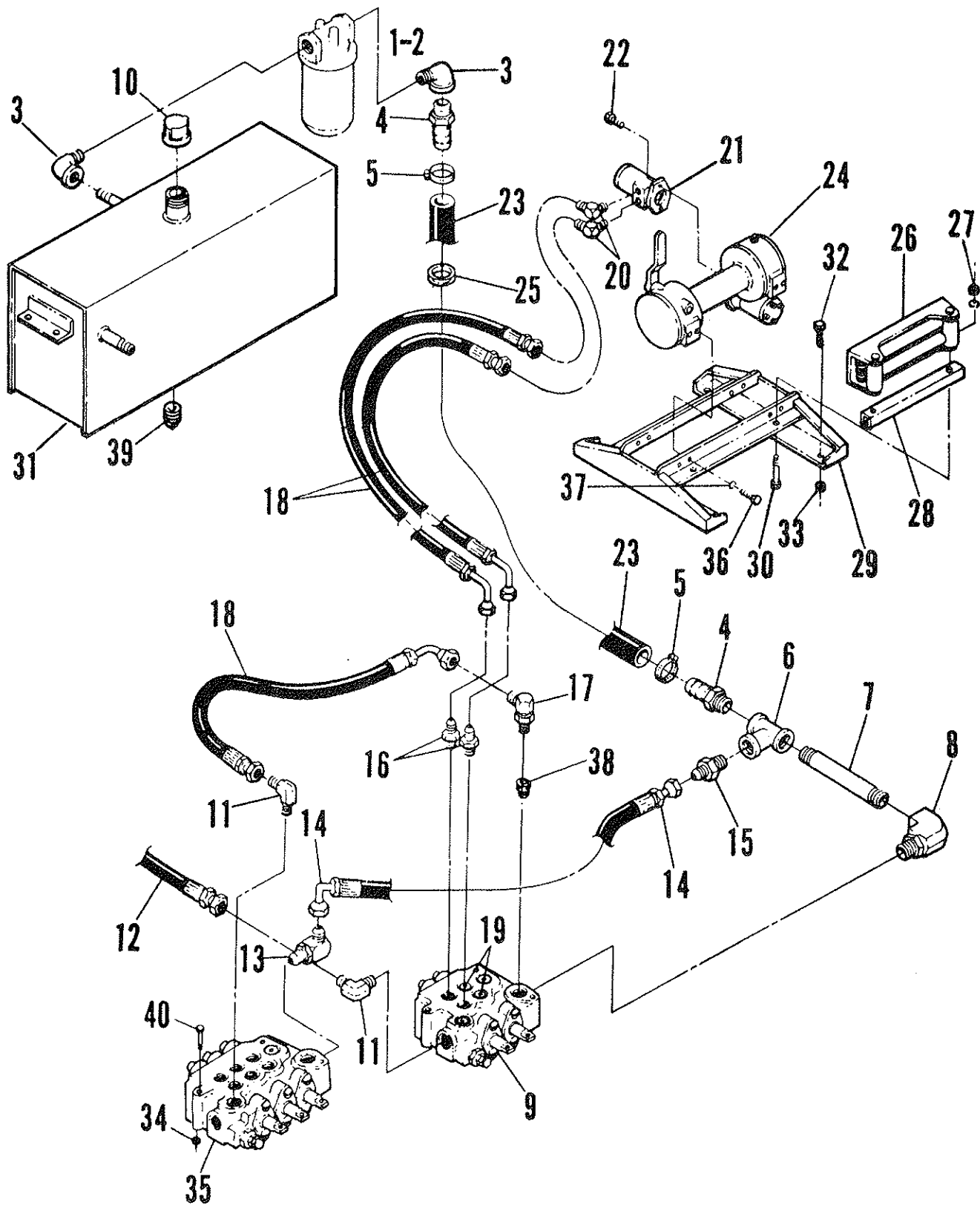
REF. NO.	NO. REQ'D.	PART NUMBER	DESCRIPTION
1	1	0301359	WRECKER SPECIAL LIGHT
2	2	0800539	"T" BOLT ADAPTOR
3	6	0400392	NUT, 3/8" - 16 HEX HD. NYLOK
4	4	0300117	RUBBER GROMMET
5	2	0300095	SPOTLIGHT W/GASKET
6	12	0400027	SCREW, #8 - 32 X 5/8" SELF-TAPPING
7	1	0801107	LIGHT BAR FOR WRECKER
8	1	0300442	3 BAR LIGHT
9	4	0400122	SCREW, 3/8" - 16 X 1-1/4" HEX. HD.
10	14	0400480	FLAT WASHER, 3/8"
11	4	0400126	SCREW, 3/8" - 16 X 1" HEX. HD.
12	1	0300273	LICENSE PLATE ILLUMINATOR
13	2	0400061	SCREW, 1/4" - 20 X 3/4" PAN HD.
14	2	0400366	NUT, 1/4" - 20 PLAIN
15	2	0400452	LOCKWASHER, 1/4"
16	1	0300076	LICENSE PLATE HOLDER
17	2	0400062	SCREW, 1/4" - 20 X 3/4" THREAD CUT HEX. HD.

WIRING

REF. NO.	COLOR	DESCRIPTION	TERMINATION
18	GREY		NOT CONNECTED
19	BROWN		NOT CONNECTED
	W/WHITE STRIPE		
20	BLUE	FLASHING LIGHTS	CONNECT TO RED (21) RUN TO PANEL
21	RED	ROTATING LIGHTS	CONNECT TO BLUE (20)
22	BROWN	TAIL LIGHTS	CONNECT TO BLACK ON BODY HARNESS
23	ORANGE	FLOOD LIGHTS	CONNECT TO BROWN ON BODY HARNESS
24	BLACK	GROUND	CONNECT TO CHASSIS OR BODY
25	GREEN	R. TURN/STOP	CONNECT TO BLUE ON BODY HARNESS
26	YELLOW	L. TURN/STOP	CONNECT TO YELLOW ON BODY HARNESS
27	BLACK	SPOTLIGHTS	CONNECT TO BROWN ON BODY HARNESS
28	BLACK	3-BAR LIGHT	CONNECT TO BLACK ON BODY HARNESS

Section VII - OPTIONAL EQUIPMENT

F1 - DRAG WINCH



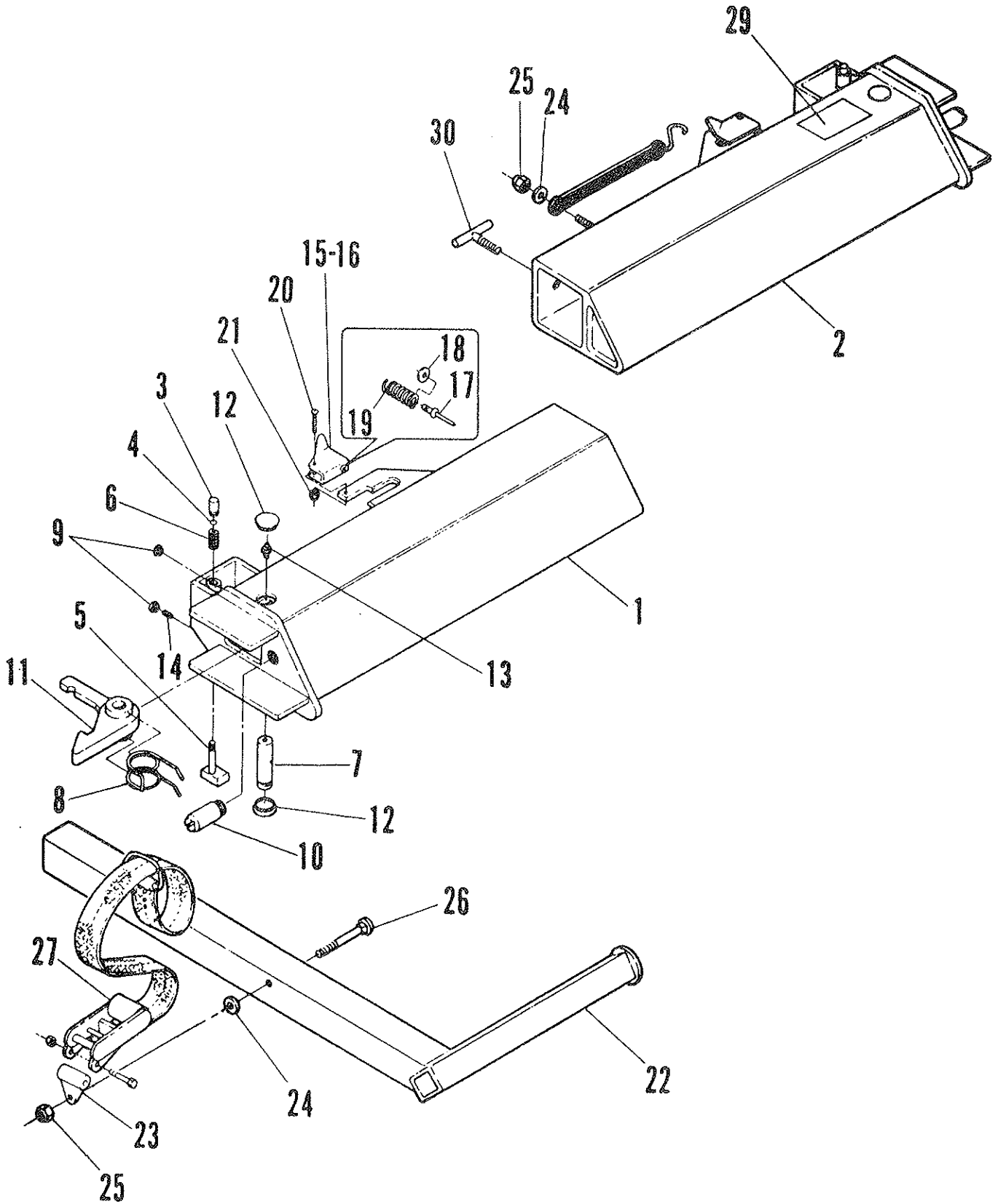
Section VII - OPTIONAL EQUIPMENT

F1 - DRAG WINCH

REF. NO.	NO. REQ'D.	PART NUMBER	DESCRIPTION
1	1	0300136	OIL FILTER ASS'Y.
2	1	0300135	FILTER REPLACEMENT CARTRIDGE
3	2	0300288	STREET ELBOW, 3/4 NPT
4	2	0300055	HOSE BARB, 3/4" HOSE - 3/4" NPT
5	2	0300071	HOSE CLAMP, 1"
6	1	0301387	TEE, 3/4" FEM, NPT
7	1	0301899	NIPPLE, 3/4" X 5" LG. NPT
8	1	0301375	ELBOW, 3/4" SAE MALE X 3/4" NPT FEM. 90°
9	1	0301415	VALVE, 2 SPOOL
10	1	0702741	CAP, RESERVOIR
11	2	0300052	ELBOW, 5/8" SAE MALE X 1/2" J.I.C. MALE 90°
12	1	0300165	HIGH PRESSURE HOSE
13	1	0300814	ELBOW, 3/4" SAE X 1/2" J.I.C. MALE 90°
14	1	0301790	HOSE, 1/2" J.I.C. X 1/2" J.I.C. 90° X 17" LG.
15	1	0301881	CONNECTOR, 3/4" NPT MALE X 1/2" J.I.C. MALE STR.
16	2	0300041	CONNECTOR, 1/2" SAE "O" RING X 1/2" J.I.C. STR.
17	1	0301388	ELBOW, 1/2" SAE "O" RING M X 1/2" J.I.C.M 90°
18	1	0301471	HOSE, 1/2" J.I.C. X 1/2" J.I.C. 90° X 30" LG.
19	2	0301783	HOLE PLUG
20	2	0300229	ELBOW, 1/2"
21	1	0300090	MOTOR, HYDRAULIC
22	2	0400196	SCREW, 1/2" - 13 X 1 1/4" LG. SOCKET HD. CAP, GR. 5
23	1	0300057	RETURN HOSE, 3/4" I.D. X 47" LG.
24	1	0300251	WINCH, L.H.
25	1	0300124	GROMMET, CATERPILLAR
26	1	0301444	FAIRLEAD
27	2	0400407	NUT, 1/2" - 13 HEX.
28	1	0701756	SPACER TUBE
29	1	0801029	FRAME, DRAG WINCH
30	2	0400197	SCREW, 1/2" - 13 X 2 3/4" HEX. HD. CAP, GR. 5
31	1	0800788	RESERVOIR
32	4	0400260	SCREW, 5/8" - 11 X 2" HEX. HD.
33	4	0400421	NUT, 5/8" NYLON LOCK
34	10	0400392	NUT, 3/8" - 16 NYLON LOCK
35	1	0300010	3-SPOOL VALVE
36	6	0400122	SCREW, 3/8" - 16 NC X 1 1/4" LG. HEX. HD. CAP
37	8	0400482	LOCKWASHER, 3/8"
38	1	0300286	ADAPTOR, H.P.C.O.
39	1	0300347	PLUG - SQ. HD.
40	6	0400140	SCREW, 3/8" - 16 X 4" LG. HEX. HD. CAP, GR. 5

Section VII - OPTIONAL EQUIPMENT

OUTER CROSS TUBE & SNAP-IN TIRE RESTRAINT ASSEMBLY



Section VII - OPTIONAL EQUIPMENT

OUTER CROSS TUBE & SNAP-IN TIRE RESTRAINT ASSEMBLY

REF. NO.	NO. REQ'D.	PART NUMBER	DESCRIPTION
1	1	0801477	CROSSTUBE, L.H. OUTER
2	1	0801478	CROSSTUBE, R.H. OUTER
3	2	0704992	BUTTON, PLUNGER
4	2	0302153	"O"- RING, LATCH BUTTON
5	2	0801474	LOCK, LATCH
6	2	0302154	PLUNGER, SPRING
7	2	0704991	PIN, LATCH
8	2	0302156	SPRING, LATCH TORSION
9	4	0302152	PLUG, 1/2" HOLE
10	2	0704993	PIN, GUIDE
11	2	0200004	LATCH, RETAINING
12	4	0901201	PLUG, 1 1/4" HOLE
13	2	0300113	FITTING, GREASE
14	2	0400036	SCREW, 1/4 - 20 X 5/16" LG. SOCKET SET
15	2	0901203	HOOK LATCH ASS'Y (INCLUDES ITEMS 16-21)
16	2	0704994	LATCH, CHAIN HOOK
17	2	0400576	RIVET, POP
18	2	0400519	WASHER, FLAT
19	2	0302155	SPRING, CHAIN HOOK LATCH
20	2	0400036	SCREW, #10 - 32 X 1" LG. RD. HD. SLOTTED MACH. PL.
21	2	0400357	NUT, #10 - 32 NYLON LOCK PL.
22	2	0801472	RESTRAINT, TIRE
23	2	0800583	PIVOT, TIE DOWN
24	2	0400480	WASHER, 3/8" FLAT PL.
25	2	0400390	NUT, 3/8" - 16 ESLOK JAM
26	2	0400161	BOLT, 3/8" - 16 X 2 3/4" LG. GR. 8 PL. CARRIAGE
27	2	0301399	STRAP, TIE DOWN W/RATCHET
28	3	0500241	DECAL, SAFETY CHAIN WARNING
29	2	0500397	DECAL, SNAP (LATCH WARNING)
30	2	0800590	TEE HANDLE

CENTURY

I-75 at Ooltewah Exit #11 • 8503 Hilltop Drive • Ooltewah, Tennessee 37363 • (615) 238-4171

Mailing Address: P.O. Box 120 • Ooltewah, Tennessee 37363 • Telex: 856967 CENWKRTN UD • FAX (615) 238-5371