

CENTURY®

LEGENDARY LEADERSHIP



OWNER'S MANUAL FORMULA I 411 & 412 WRECKER

INSTALLATION, OPERATION, MAINTENANCE & PARTS

**NOTE: MANUAL including SPECIFICATIONS, subject to change without notice
All ratings specified are based on structural factors only,
not vehicle capacities or capabilities.**

CENTURY®

Miller Industries Towing Equipment Inc.
8503 Hilltop Drive
Ooltewah, Tennessee 37363

FORM NO. 0500744
REV. A
12 / 99

Phone (423) 238-4171 • FAX (423) 238-5371

PRICE \$25.00

LIMITED WARRANTY

MILLER INDUSTRIES TOWING EQUIPMENT INC., hereinafter referred to as MILLER, warrants to the original purchaser that each new MILLER wrecker or other MILLER products will be free from defects in material and workmanship for a period of twelve (12) months from date placed in service, but in no event shall such warranty period exceed twenty-four (24) months from date of manufacture by MILLER. The purchaser must promptly notify MILLER in writing of any failure in material or workmanship. In no event shall MILLER accept such notification later than twenty-four (24) months from date of delivery or twelve (12) months from date placed in service, whichever is earlier.

MILLER's obligation under this warranty, statutory or otherwise, is limited to the repair or replacement at the MILLER factory, or at a point designated by MILLER, of such part or parts as shall appear upon inspection by MILLER to be defective in material or workmanship. New or remanufactured parts will be used for any replacement at MILLER's option. This warranty is not transferable. This warranty does not obligate MILLER to bear the cost of labor or transportation charges in connection with the repair or replacement of any parts found to be defective, nor shall it apply to a product upon which repairs or alterations have been made unless authorized by MILLER.

EXCEPT AS EXPRESSLY SET FORTH IN THIS WARRANTY, MILLER MAKES NO OTHER WARRANTY, EXPRESS OR IMPLIED, AND HEREBY DISCLAIMS ALL OTHER WARRANTIES INCLUDING, BUT NOT LIMITED TO, THE IMPLIED WARRANTIES OF MERCHANTABILITY AND FITNESS FOR A PARTICULAR PURPOSE. MILLER shall in no event be liable for claimed downtime, claimed loss of profits or goodwill, or any other special, incidental, indirect, or consequential damages concerning or relating to any product or parts, whether based on negligence, strict liability, breach of contract, breach of warranty, misrepresentation or any other legal theory, regardless of whether the loss resulted from any general or particular requirement which MILLER knew or had reason to know about at the time of sale.

MILLER MAKES NO WARRANTY, EXPRESS OR IMPLIED, AS TO THE FINISHED PRODUCTS MANUFACTURED OR SUPPLIED BY ANOTHER MANUFACTURER AND SUPPLIED BY MILLER TO PURCHASER, including, but not limited to, any vehicle to which a MILLER product may be affixed or any accessories or wire rope, and MILLER EXPRESSLY DISCLAIMS ANY IMPLIED WARRANTIES OF MERCHANTABILITY OR FITNESS FOR A PARTICULAR PURPOSE AS TO SUCH EQUIPMENT OR PRODUCTS. This language shall in no way affect or diminish the rights of the purchaser to rely on such warranties as are extended by such manufacturers or suppliers. MILLER shall, to the extent permitted under applicable law, pass on to the purchaser such manufacturer's or seller's warranty.

MILLER, whose policy is one of continuous improvement, reserves the right to improve its products through changes in design or materials as it may deem desirable without being obligated to incorporate such changes in products previously sold. This warranty is not intended to cover or include the following items, which are set forth by way of example and not limitation:

- A. Normal deterioration of trim, paint, lettering, and appearance items due to wear or exposure to weather, road conditions, road treatments, etc.
- B. Any damage or defect due to accident, misuse, abuse, improper or unauthorized repairs, failure to provide reasonable and necessary maintenance, or uses for which the equipment was not designed or intended.
- C. Alterations or modifications that affect performance, operation or reliability.
- D. Normal maintenance parts including, but not limited to, wear pads, bushings, wire rope, mud flaps, fenderettes, light bulbs, hydraulic oil, filters, and tow sling belts.

IT IS EXPRESSLY UNDERSTOOD THAT MILLER MAKES NO IMPLIED WARRANTY THAT MILLER PRODUCTS SHALL BE FIT FOR THE PURPOSE OF LIFTING OR MOVING PEOPLE OR FOR ANY OTHER IMPROPER USE.



Miller Industries Towing Equipment Inc.
8503 Hilltop Drive
Ooltewah, Tennessee 37363

Telephone (423) 238-4171

SERIAL NUMBER

Section VI - PARTS

This Section is provided by the manufacturer for the purpose of ordering any component part of the **Formula I Wheel Lift** and **411 / 412 Wrecker** that may be required when part replacement is necessary.

Be certain to use only original equipment replacement parts for warranty purposes as well as for keeping your **Formula I Wheel Lift** and **411 / 412 Wrecker** in its original state and optimum operating capacities.

When ordering replacement or spare parts be sure to provide the following information to the manufacturer's **Parts Department**.

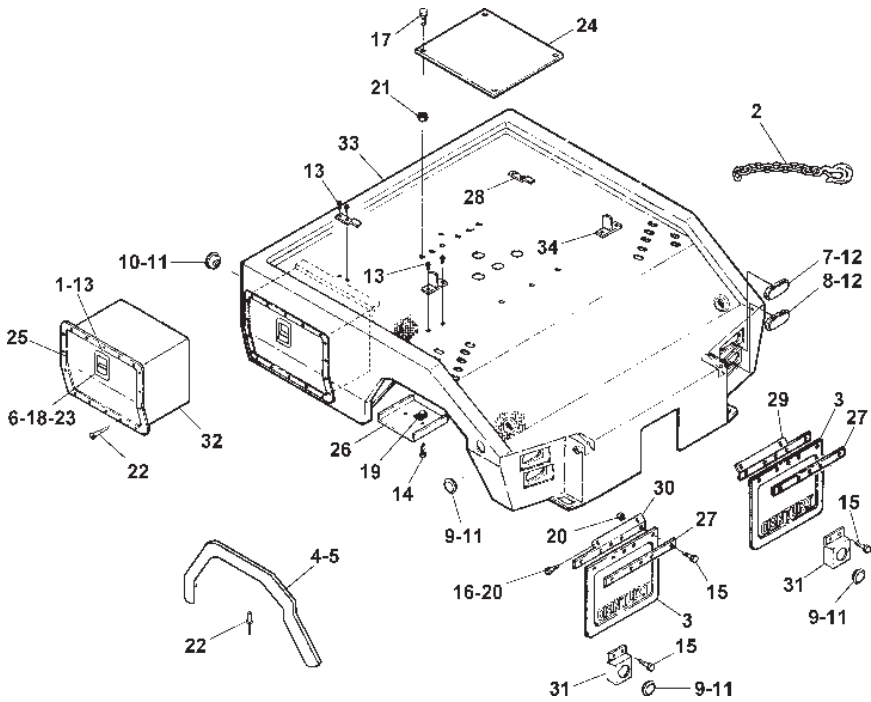
1. **Manual Number & Date of Publication**
2. **Manual Page Number**
3. **Page Title**
4. **Reference Number of Part Desired**
5. **Part Number**
6. **Part Description**
7. **Quantity of Part Desired**

Providing this information will help ensure that the correct parts will be delivered to you in an expedient manner. Should additional information be required for repair or replacement of certain components, contact your Wrecker Manufacturer Authorized Representative.

The Manufacturer reserves the right, without notice or obligation, to improve or modify their products, which may change the specifications, models and feature availability.

Section VI - PARTS (cont'd)

FORMULA BODY ASSEMBLY



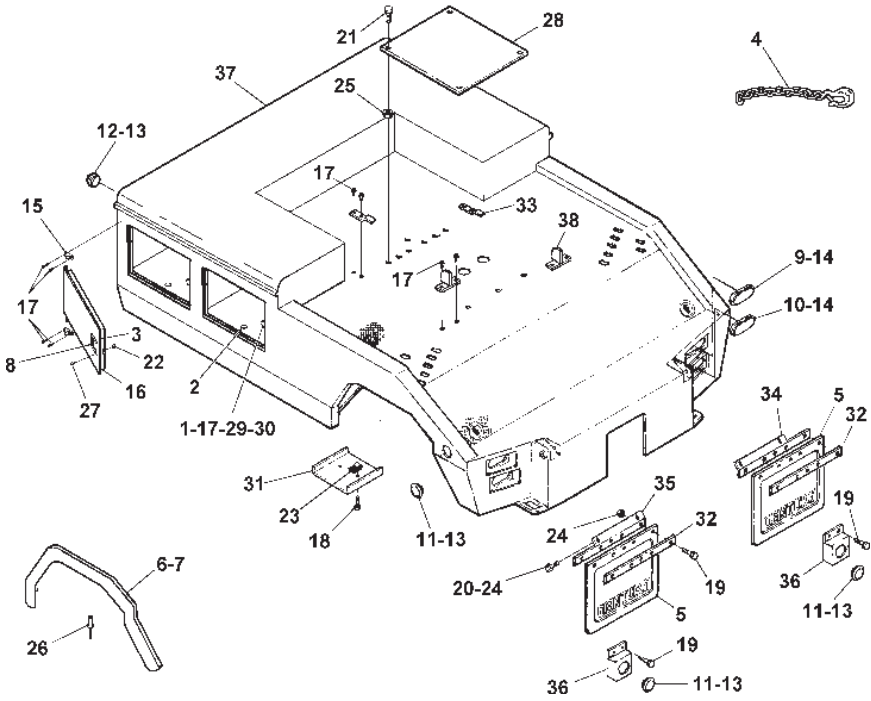
Section VI - PARTS (cont'd)

FORMULA BODY ASSEMBLY

REF. NO.	NO. REQ'D	PART NUMBER	DESCRIPTION
1	1	0300028	STRIKER, TOOL COMPARTMENT
2	2	0301932	SAFETY CHAIN, 5/16" ALLOY
3	2	0302173	MUD FLAP
4	1	0302181	LT FIBERGLASS FENDER (OPT.)
5	1	0302182	RT FIBERGLASS FENDER (OPT.)
6	1	0302855	LATCH, TOOL COMPARTMENT DOOR
7	2	0303123	LIGHT, STOP & TURN, RED
8	2	0303124	LIGHT, BACKUP, CLEAR
9	4	0303125	MARKER, SEALED RED
10	2	0303126	MARKER, SEALED AMBER
11	6	0303127	GROMMET, MARKER LIGHT
12	4	0303128	GROMMET, TAIL LIGHT
13	10	0400062	SCREW, 1/4-20 X 3/4" THREAD CUTTING
14	4	0400066	SCREW, 1/4"-20 X 3/4" HEX HD CAP
15	8	0400122	SCREW, 3/8"-16 X 1-1/4" HEX HD CAP
16	4	0400126	SCREW, 3/8"-16 X 1" HEX HD CAP
17	4	0400260	SCREW, 5/8"-11 X 2" HEX HD CAP
18	4	0400351	NUT, #8-32 KEPS
19	4	0400370	CLIP, 1/4" TINNERMAN "U" TYPE
20	12	0400392	NUT, 3/8"-16 NYLOK
21	2	0400421	NUT, 5/8"-11 NYLOK
22	42	0400567	RIVET, 1/4" POP
23	4	0400821	SCREW, #8-32 RD HD
24	1	0703220	PLATE, ACCESS HOLE COVER (FORMULA I, WHEEL LIFT ONLY)
25	16 FT.	0703792	MIRACLE SEAL
26	2	0704516	GUARD, CONTROL STATION
27	2	0705092	MUD FLAP BAR
28	1	0707510	BRACKET, "L" ARM STORAGE
29	1	0708809	RT MUD FLAP MTG ANGLE
30	1	0708810	LT MUD FLAP MTG ANGLE
31	2	0710198	BRACKET, MARKER LIGHT
32	1	0801258	SIDE TOOL BOX
33	1	0802620	BODY WELDMENT - 60 C.A. FI
--	--	0802714	BODY WELDMENT - 56 C.A. FI
34	2	0802712	BRACKET, "L" ARM STORAGE

Section VI - PARTS (cont'd)

DAYTONA BODY ASSEMBLY



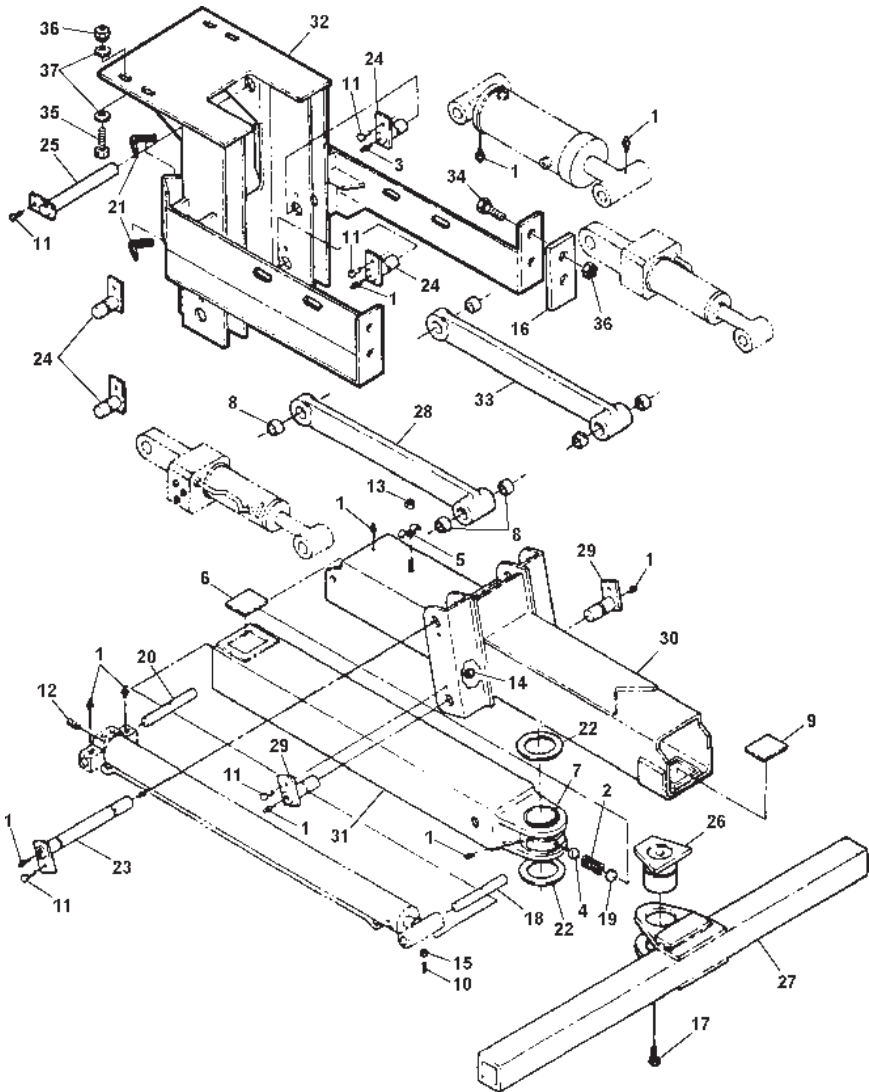
Section VI - PARTS (cont'd)

DAYTONA BODY ASSEMBLY

REF. NO.	NO. REQ'D	PART NUMBER	DESCRIPTION
1	1	0300028	STRIKER, TOOL COMPARTMENT
2	4	0300032	PLUG, 1" HOLE
3	32 FT.	0300844	SPONGE, 3/4" X 1/8" W/ ADHBK
4	2	0301932	SAFETY CHAIN, 5/16" ALLOY
5	2	0302173	MUD FLAP
6	1	0302181	LT FIBERGLASS FENDER (OPT.)
7	1	0302182	RT FIBERGLASS FENDER (OPT.)
8	4	0302855	LATCH, TOOL COMPARTMENT DOOR
9	2	0303123	LIGHT, STOP & TURN, RED
10	2	0303124	LIGHT, BACKUP, CLEAR
11	4	0303125	MARKER, SEALED RED
12	2	0303126	MARKER, SEALED AMBER
13	6	0303127	GROMMET, MARKER LIGHT
14	4	0303128	GROMMET, TAIL LIGHT
15	8	0304264	HINGE, DOOR
16	4	0304480	DOOR, DAYTONA BOX
17	16	0400062	SCREW, 1/4-20 X 3/4" THREAD CUTTING
18	4	0400066	SCREW, 1/4"-20 X 3/4" HEX HD CAP
19	8	0400122	SCREW, 3/8"-16 X 1-1/4" HEX HD CAP
20	4	0400126	SCREW, 3/8"-16 X 1" HEX HD CAP
21	4	0400260	SCREW, 5/8"-11 X 2" HEX HD CAP
22	16	0400351	NUT, #8-32 KEPS
23	4	0400370	CLIP, 1/4" TINNERMAN "U" TYPE
24	12	0400392	NUT, 3/8"-16 NYLOK
25	2	0400421	NUT, 5/8"-11 NYLOK
26	42	0400567	RIVET, 1/4" POP
27	32	0400821	SCREW, #8-32 RD HD
28	1	0703220	PLATE, ACCESS HOLE COVER (FORMULA I, WHEEL LIFT ONLY)
29	4	0703654	PAD, DOOR CHECK
30	4	0704231	ANGLE DOOR CHECK
31	2	0704516	GUARD, CONTROL STATION
32	2	0705092	MUD FLAP BAR
33	1	0707510	BRACKET, "L" ARM STORAGE
34	1	0708809	RT MUD FLAP MTG ANGLE
35	1	0708810	LT MUD FLAP MTG ANGLE
36	2	0710198	BRACKET, MARKER LIGHT
37	1	0802621	BODY WELDMENT - 60 C.A. DAYTONA
	--	0802622	BODY WELDMENT - 72 C.A. DAYTONA
	--	0802623	BODY WELDMENT - 84 C.A. DAYTONA
38	2	0802712	BRACKET, "L" ARM STORAGE

Section VI - PARTS (cont'd)

FORMULA I WHEEL LIFT ASSEMBLY



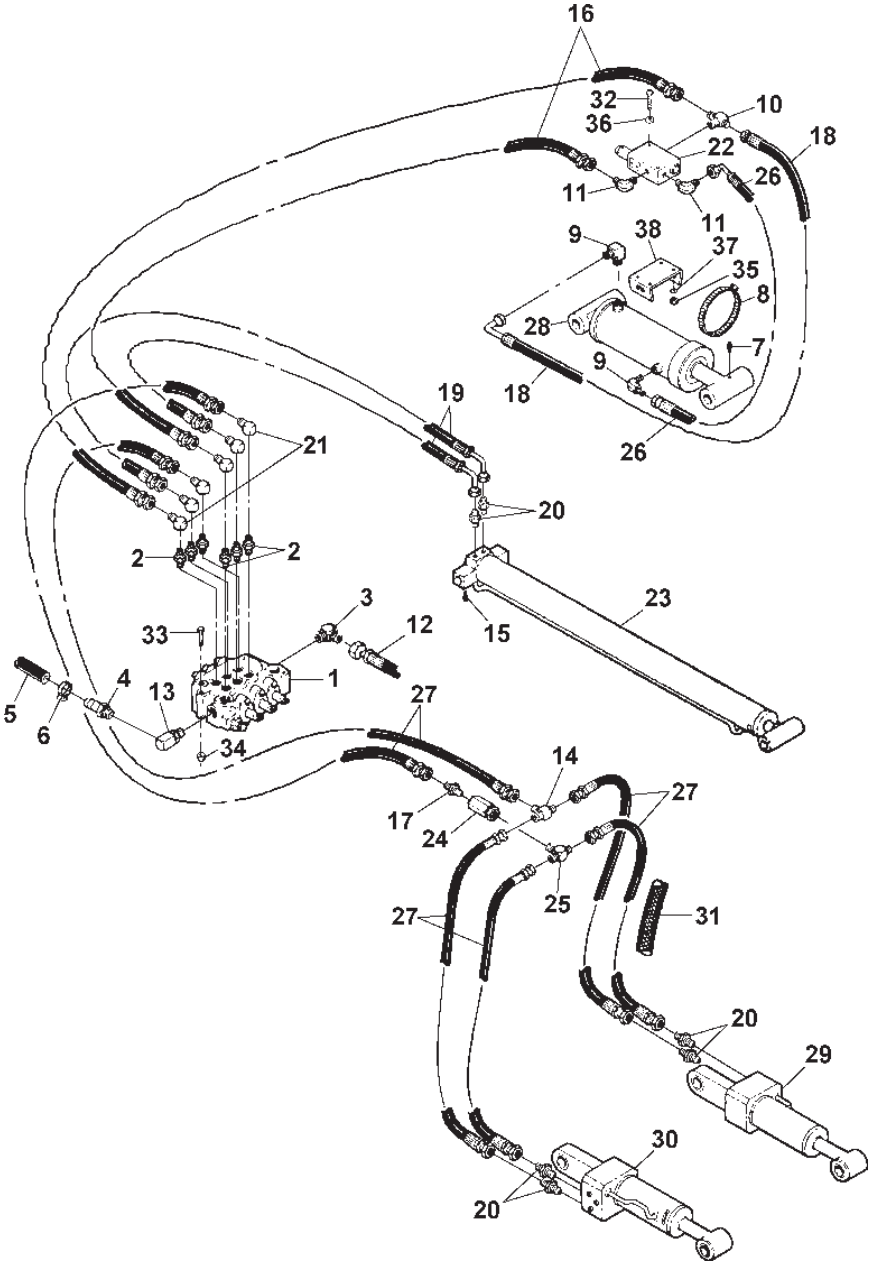
Section VI - PARTS (cont'd)

FORMULA I WHEEL LIFT ASSEMBLY

REF. NO.	NO. REQ'D	PART NUMBER	DESCRIPTION
1	13	0300113	GREASE FITTING, ALEMITE
2	1	0301197	SPRING, DETENT
3	2	0301397	GREASE FITTING, ALEMITE
4	1	0301398	BALL, DETENT
5	2	0301601	CLAMP
6	1	0301850	SLIDE PAD, NYLATRON
7	1	0306748	BUSHING
8	6	0303016	BUSHING
9	1	0303018	SLIDE PAD, NYLATRON
10	1	0400139	SCREW, 3/8"-16 X 1-1/2" HEX SKT SET
11	8	0400141	SCREW, 3/8"-16 X 7/8" HEX HD CAP
12	1	0400353	SETSCREW, 3/8"-16 X 1/2" ALLEN HD
13	1	0400366	NUT, 1/4"-20 HEX
14	8	0400392	NUT, 3/8"-16 NYLOK HEX
15	1	0400398	NUT, 3/8"-16 HEX JAM
16	*	0701941	WHEEL LIFT MOUNTING SPACER
17	2	0701956	SCREW, 1/2"-13 X 1" HEX HD CAP
18	1	0702131	SHAFT, CYLINDER
19	1	0702546	SPACER
20	1	0703345	SHAFT, EXTEND CYLINDER
21	4	0703422	HOSE GUARD
22	2	0703640	THRUST WASHER
23	1	0801009	UPPER SHAFT WELDMENT, BOOM
24	4	0801011	SHAFT WELDMENT, ARM
25	1	0802820	SHAFT, LIFT CYLINDER
26	1	0801073	PIN, CROSSTUBE PIVOT
27	1	0801074	CROSSTUBE, INNER WELDMENT
28	2	0200040	UPPER ARM CASTING
29	2	0801448	LOWER SHAFT WELDMENT, BOOM
30	1	0801687	OUTER BOOM WELDMENT
31	1	0803639	INNER BOOM WELDMENT
32	1	0802610	FRAME WELDMENT
33	2	0906575	UPPER ARM ASSY - INCLUDES ITEMS 8 & 28
--	--	0902835	WHEEL LIFT MOUNTING HARDWARE
34	4	0400260	SCREW, 5/8"-11 X 2" HEX HD CAP
35	4	0400264	SCREW, 5/8"-11 X 2-1/4" HEX HD CAP
36	8	0400421	NUT, 5/8"-11 NYLOK HEX
37	8	0400506	WASHER, 5/8" FLAT

Section VI - PARTS (cont'd)

FORMULA I WHEEL LIFT HYDRAULICS



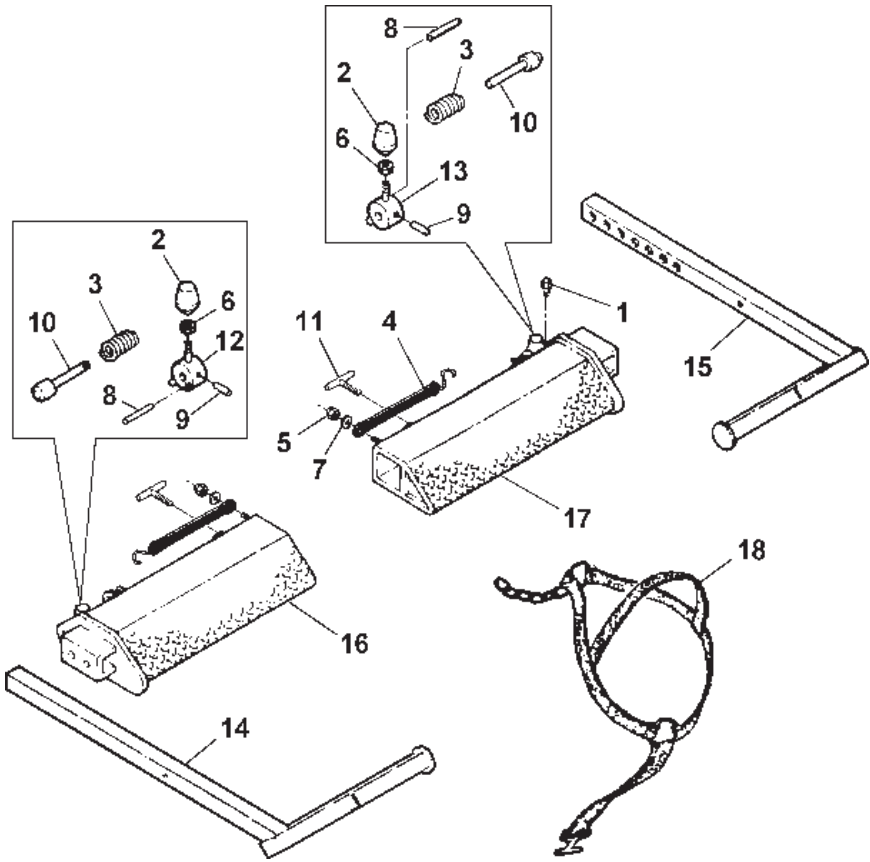
Section VI - PARTS (cont'd)

FORMULA I WHEEL LIFT HYDRAULICS

REF. NO.	NO. REQ'D	PART NUMBER	DESCRIPTION
1	1	0300010	3-SPOOL VALVE
2	6	0300040	CONNECTOR, 6MJ-8MB
3	1	0300052	ELBOW, 8MJ-10MB90
4	1	0300055	HOSEBARB, 12C4-12MP
5	4 FT.	0301674	HOSE, 3/4" RETURN
6	1	0300071	CLAMP, HOSE 1"
7	2	0300113	GREASE FITTING, ALEMITE
8	1	0300133	CLAMP, HOLDING VALVE
9	2	0300142	ELBOW, 6MJ-4MP90
10	1	0300206	BRANCHTEE, 6MJ-6MJ-4MP
11	2	0300209	ELBOW, 6MJ-6MP90
12	1	0300660	HOSE ASSEMBLY, 120"
13	1	0301375	ELBOW, 12MB-12FP90
14	1	0301377	TEE, 6MJ-6MJ-6MJ
15	2	0301397	GREASE FITTING, ALEMITE 90°
16	2	0301402	HOSE, LIFT CYLINDER, 45"
17	1	0301425	CONNECTOR, 6MJ-6MP
18	1	0301473	HOSE ASSEMBLY, 18"
19	2	0301485	HOSE ASSEMBLY, 81"
20	6	0301522	CONNECTOR, 6MJ-6MB
21	6	0301696	ELBOW, 6MJ-6FJX90
22	1	0301731	HOLDING VALVE, 4000 PSI
23	1	0301825	CYLINDER, EXTEND
24	1	0301854	VALVE, RESTRICTOR
25	1	0301855	TEE, 6MJ-6MJ-6MP
26	1	0301900	HOSE ASSEMBLY, 18"
27	6	0301902	HOSE ASSEMBLY, 35"
28	1	0302341	CYLINDER, LIFT
29	1	0302904	CYLINDER, TILT, L.H.
30	1	0302905	CYLINDER, TILT, R.H.
31	20 FT.	0303193	SKUFF JACKET
32	2	0400069	SCREW, 1/4"-20 X 2" RD HD SLOTTED
33	2	0400140	SCREW, 3/8"-16 X 4" HEX HD CAP
34	2	0400362	NUT, 3/8"-16 NYLOK HEX
35	2	040366	NUT, 1/4"-20 HEX
36	2	0400451	WASHER, 1/4" FLAT
37	2	0400452	LOCKWASHER, 1/4" HELICAL
38	1	0703001	BRACKET, CHECK VALVE MOUNTING

Section VI - PARTS (cont'd)

OUTER CROSSTUBE & SLIDE-IN TIRE RESTRAINT ASSEMBLY

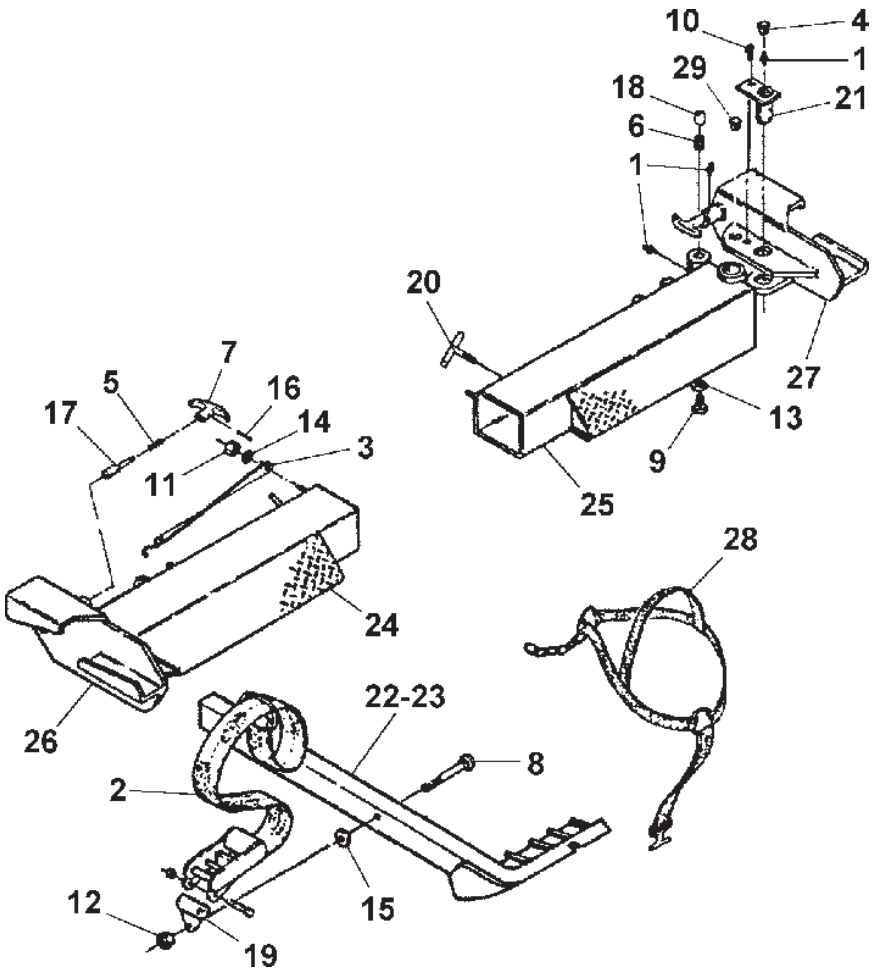


Section VI - PARTS (cont'd)

OUTER CROSSTUBE & SLIDE-IN TIRE RESTRAINT ASSEMBLY

REF. NO.	NO. REQ'D	PART NUMBER	DESCRIPTION
--	1	0902456	CROSSTUBE, LEFT OUTER, W/ BASKET STRAP HOOKS (COMPLETE)
--	1	0902457	CROSSTUBE, RIGHT OUTER, W/ BASKET STRAP HOOKS (COMPLETE)
1	2	0300113	GREASE FITTING, ALEMITE
2	2	0300341	KNOB
3	2	0301417	SPRING, PLUNGER PIN
4	2	0301956	STRAP, 9" RUBBER
5	2	0400367	NUT, 1/4"-20 NYLOK HEX
6	2	0400393	NUT, 3/8"-16 JAM HEX
7	2	0400451	WASHER, 1/4" FLAT
8	2	0400559	PIN, 3/16" X 1" ROLL
9	2	0400560	PIN, 5/32" X 1" ROLL
10	2	0706688	PIN, PLUNGER
11	2	0800590	HANDLE, TEE
12	1	0802069	HANDLE, LEFT PLUNGER
13	1	0802070	HANDLE, RIGHT PLUNGER
14	1	0903478	TIRE RESTRAINT, LEFT, W/ BASKET STRAP SLOT
15	1	0903479	TIRE RESTRAINT, RIGHT, W/ BASKET STRAP SLOT
16	1	0802359	CROSSTUBE, LEFT OUTER
17	1	0802360	CROSSTUBE, RIGHT OUTER
18	2	0902382	1" NYLON POLY COAT STRAP

Section VI - PARTS (cont'd)
OUTER CROSSTUBE & 3-WAY PIVOT
TIRE RESTRAINT ASSEMBLY



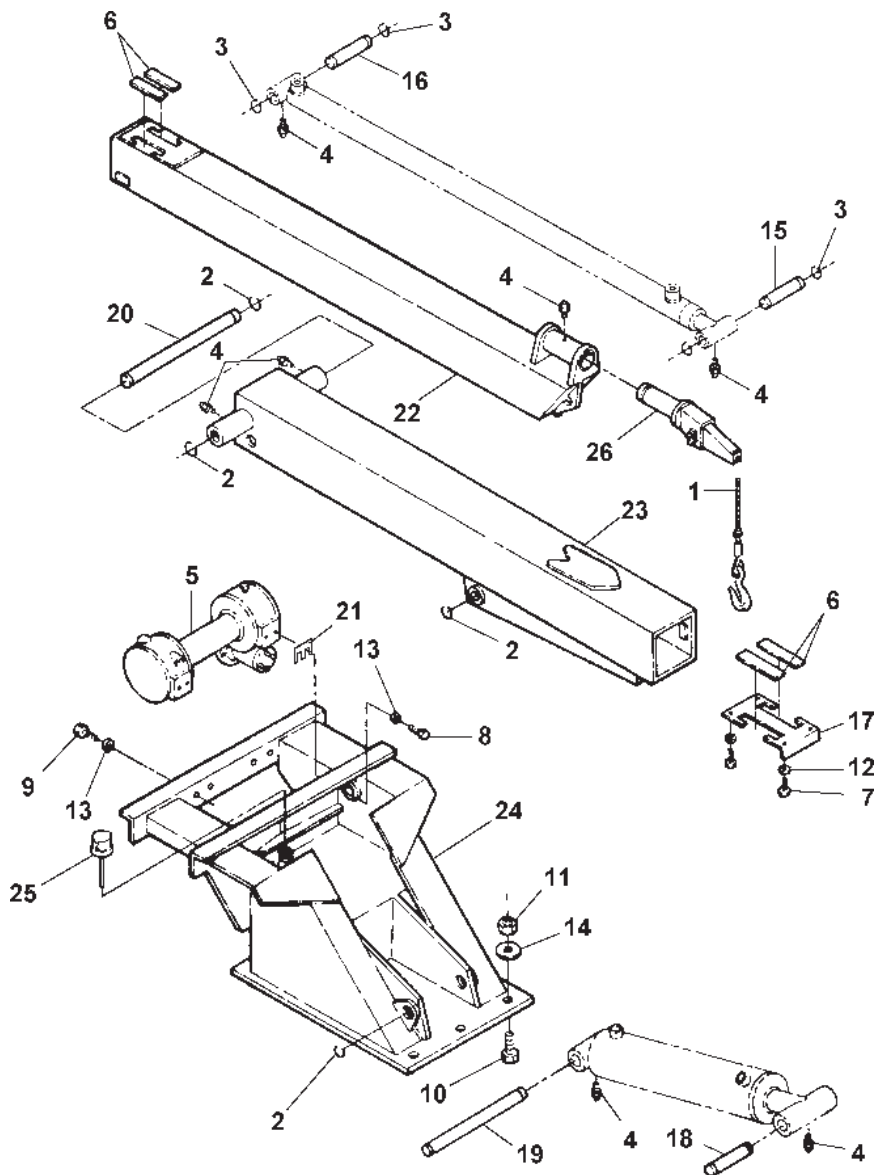
Section VI - PARTS (cont'd)

OUTER CROSSTUBE & 3-WAY PIVOT TIRE RESTRAINT ASSEMBLY

REF. NO.	NO. REQ'D	PART NUMBER	DESCRIPTION
1	6	0300113	GREASE FITTING, ALEMITE
2	2	0301399	STRAP, TIE DOWN W/ RATCHET (OPT.)
3	2	0301956	STRAP, 9" RUBBER
4	2	0302640	PLUG, DRY-OUT HOLE
5	2	0302641	SPRING, PLUNGER PIN
6	2	0302642	SPRING, PIVOT LOCK
7	2	0302648	"T" HANDLE
8	2	0400161	BOLT, 3/8"-16 X 2-3/4" CARRIAGE (OPT.)
9	2	0400207	SCREW, 1/2"-20 X 1-1/4" HEX HD CAP
10	2	0400349	SCREW, 3/8"-16 X 3/4" SKT HD
11	2	0400367	NUT, 1/4"-20 HEX NYLOK
12	2	0400390	NUT, 3/8"-16 ESLOK JAM (OPT.)
13	2	0400412	NUT, 1/2"-20 HEX JAM
14	2	0400451	WASHER, 1/4" FLAT
15	2	0400480	WASHER, 3/8" FLAT (OPT.)
16	2	0400560	PIN, ROLL 5/32" X 1"
17	2	0707505	PIN, PLUNGER
18	2	0710227	PIN, DETENT
19	2	0800583	PIVOT, TIE DOWN (OPT.)
20	2	0800590	TEE HANDLE
21	2	0802187	SHAFT, PIVOT
22	1	0903489	"L" ARM, L.H.
23	1	0903490	"L" ARM, R.H.
24	1	0802675	OUTER CROSSTUBE, L.H.
25	1	0802676	OUTER CROSSTUBE, R.H.
26	1	0802679	END PLATE WELDMENT, L.H.
27	1	0802680	END PLATE WELDMENT, R.H.
28	2	0902382	1" NYLON, POLY-COAT STRAP (OPT.)
29	2	0708915	THREADED INSERT

Section VI - PARTS (cont'd)

411 WRECKER ASSEMBLY



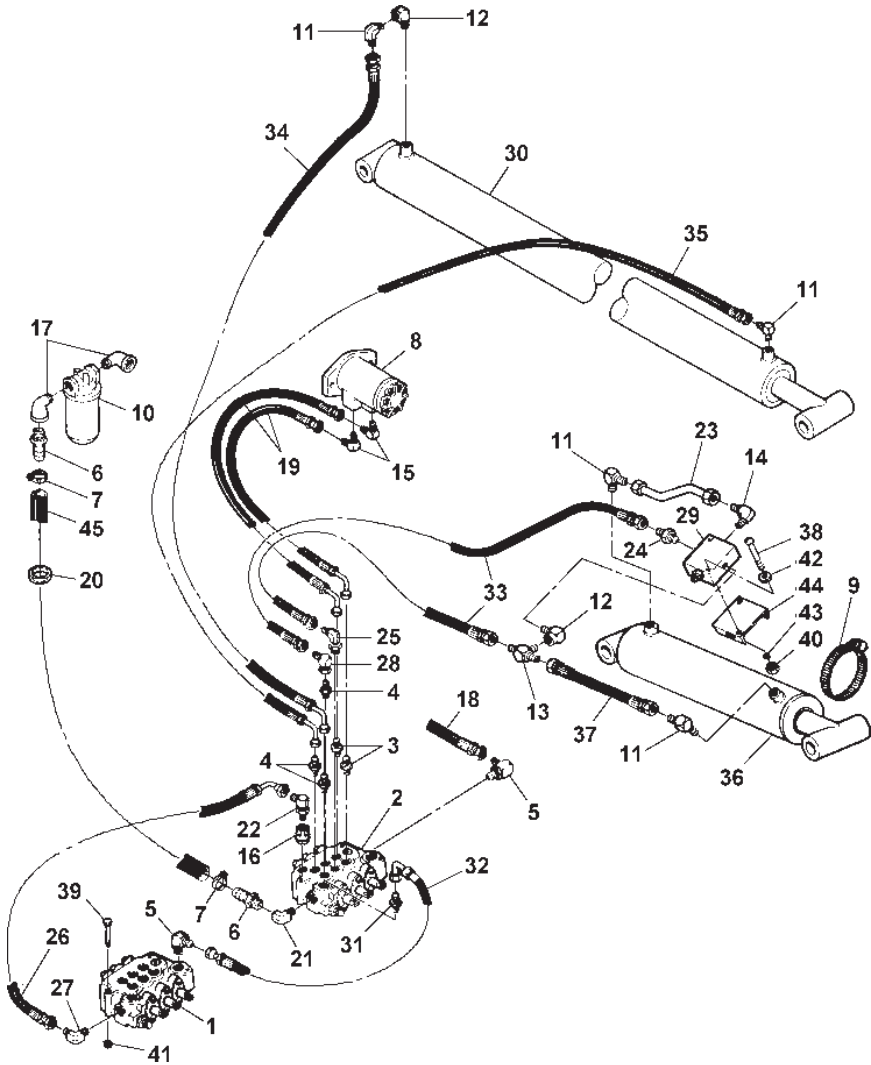
Section VI - PARTS (cont'd)

411 WRECKER ASSEMBLY

REF. NO.	NO. REQ'D	PART NUMBER	DESCRIPTION
1	1	0300219	WIRE ROPE, 3/8" X 100', 6 X 19 IPS
2	6	0300109	SNAP RING, 1-1/2"
3	4	0300110	SNAP RING, 1"
4	6	0300113	GREASE FITTING, ALEMITE
5	1	0300251	WINCH, HLC-246 LEFT REAR
6	4	0300679	SLIDE PAD, NYLATRON
7	4	0400060	SCREW, 1/4"-20 X 1/2" HEX HD CAP
8	1	0400121	SCREW, 3/8"-16 X 3/4" HEX HD CAP
9	6	0400122	SCREW, 3/8"-16 X 1-1/4" HEX HD CAP
10	9	0400260	SCREW, 5/8"-11 X 2" HEX HD CAP
11	9	0400421	NUT, 5/8"-11 NYLOK
12	4	0400452	WASHER, 1/4" LOCK
13	8	0400482	WASHER, 3/8" LOCK
14	9	0400506	WASHER, 5/8" FLAT
15	1	0703082	PIN, EXT CYLINDER PIVOT
16	1	0703137	SHAFT, EXT CYLINDER OUTER BOOM
17	1	0703965	RETAINER, BOLT-ON PAD
18	1	0704745	SHAFT, BOOM LIFT PIVOT
19	1	0704746	SHAFT, LOWER LIFT CYLINDER
20	1	0704747	SHAFT, BOOM PIVOT
21	2	0706668	SHIM, WINCH MOUNTING
22	1	0800941	INNER BOOM WELDMENT
23	1	0801373	OUTER BOOM WELDMENT
24	1	0801376	WRECKER FRAME, SINGLE WINCH
25	1	0801510	DIP STICK WELDMENT
26	1	0900007	BOOM END SWIVEL ASSEMBLY

Section VI - PARTS (cont'd)

411 WRECKER HYDRAULICS



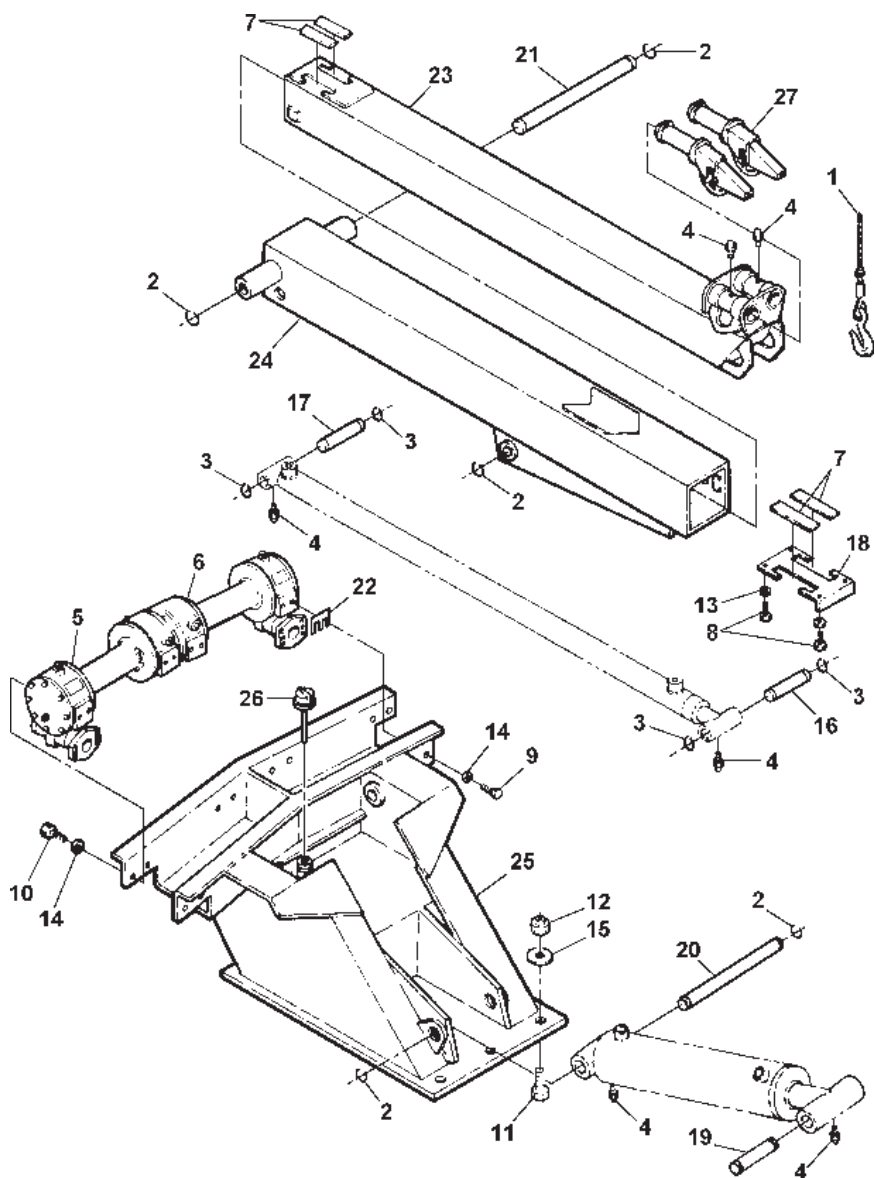
Section VI - PARTS (cont'd)

411 WRECKER HYDRAULICS

REF. NO.	NO. REQ'D	PART NUMBER	DESCRIPTION
1	REF.	0300010	VALVE, 3 SPOOL CONTROL
2	1	0300010	VALVE, 3 SPOOL CONTROL
3	2	0300041	CONNECTOR, 8MJ-8MB
4	3	0300044	CONNECTOR, 6MJ-8MB
5	2	0300052	ELBOW, 8MJ-10MB90
6	2	0300055	HOSE BARB, 12C4-12MP
7	2	0300071	CLAMP, HOSE 1"
8	1	0300090	MOTOR, HYDRAULIC
9	1	0300133	CLAMP, 3" - 4", CK VALVE RET
10	1	0300136	RETURN LINE FILTER ASSY
11	4	0300142	ELBOW, 6MJ-4MP90
12	2	0300147	STREET ELBOW, 4MP-4FP90
13	1	0300206	TEE, BRANCH 6MJ-6MJ-4MP
14	1	0300209	ELBOW, 6MJ-6MP90
15	2	0300229	ELBOW, 8MJ-8MP90
16	1	0300286	ADAPTOR, H.P.C.O.
17	2	0300288	ELBOW, 90°, 3/4" NPT STREET
18	1	0300660	HIGH PRESSURE HOSE ASSY, 120"
19	2	0301207	HOSE ASSY, 72"
20	1	0301334	GROMMET, CATERPILLAR
21	1	0301375	ELBOW, 12MB-12FP90
22	1	0301388	ELBOW, 8MJ-8MB90
23	1	0301405	BENT TUBE ASSY, 4-1/2"
24	1	0301425	CONNECTOR, 6MJ-6MP
25	1	0301470	ELBOW, 6MJ-8MB90
26	1	0301471	HOSE ASSY, 30"
27	1	0301547	ELBOW, 8MJ-12MB90
28	1	0301696	ELBOW, 6MJ-6FJX90
29	1	0301731	HOLDING VALVE, 4000 PSI
30	1	0301755	BOOM EXTEND CYLINDER
31	1	0301780	CONNECTOR, 8MJ-12MB
32	1	0301790	HOSE ASSY, 15"
33	2	0301902	HOSE ASSY, 35"
34	1	0301964	HOSE ASSY, 65"
35	1	0301965	HOSE ASSY, 131"
36	1	0302356	BOOM LIFT CYLINDER
37	1	0302777	HOSE ASSY, 16"
38	2	0400069	SCREW, 1/4"-20 X 2" RD HD
39	6	0400140	SCREW, 3/8"-16 X 4" HEX HD CAP
40	2	0400366	NUT, 1/4"-20 HEX
41	6	0400392	NUT, 3/8"-16 NYLOK HEX
42	2	0400451	WASHER, 1/4" FLAT
43	2	0400452	WASHER, 1/4" HELICAL LOCK
44	1	0700238	BRACKET, HOLDING VALVE
45	1	0705085	HOSE, 3/4" ID X 48" RETURN

Section VI - PARTS (cont'd)

412 WRECKER ASSEMBLY



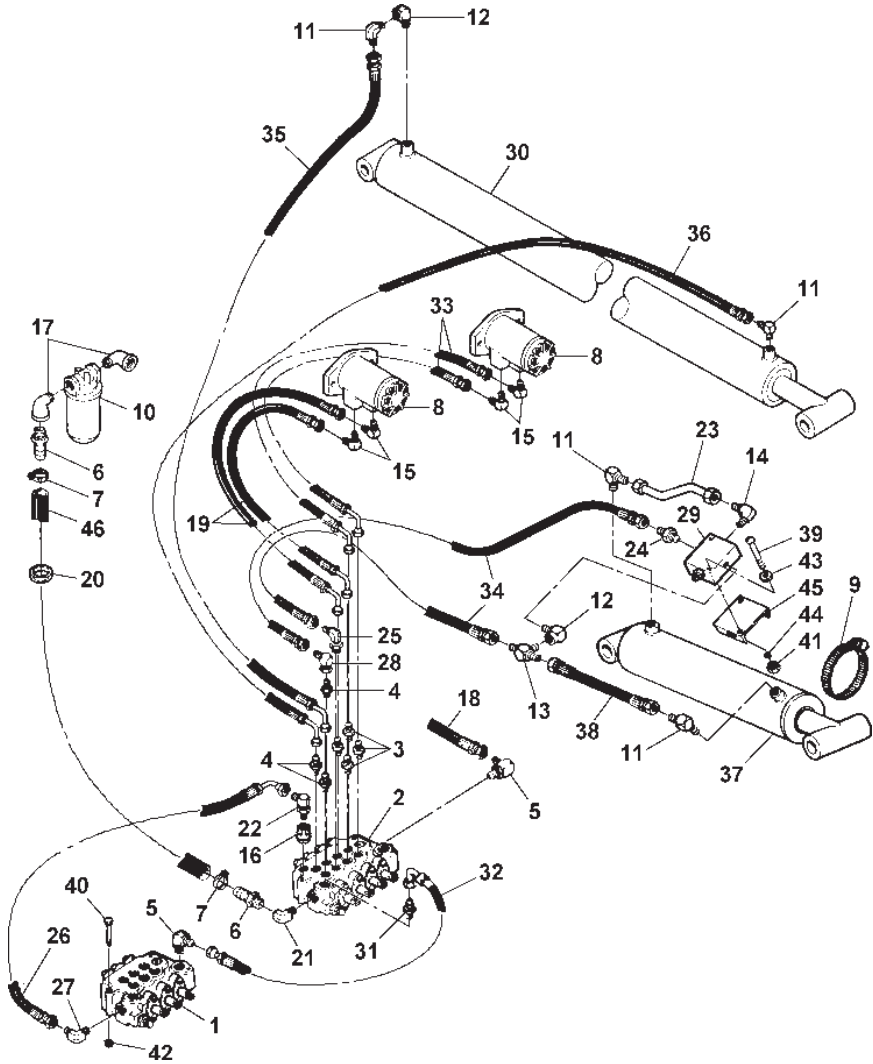
Section VI - PARTS (cont'd)

412 WRECKER ASSEMBLY

REF. NO.	NO. REQ'D	PART NUMBER	DESCRIPTION
1	2	0300219	WIRE ROPE, 3/8" X 100', 6 X 19 IPS
2	6	0300109	SNAP RING, 1-1/2"
3	4	0300110	SNAP RING, 1"
4	6	0300113	GREASE FITTING, ALEMITE
5	1	0300250	WINCH, HLC-246 RIGHT REAR
6	1	0300251	WINCH, HLC-246 LEFT REAR
7	4	0300679	SLIDE PAD, NYLATRON
8	4	0400060	SCREW, 1/4"-20 X 1/2" HEX HD CAP
9	2	0400121	SCREW, 3/8"-16 X 3/4" HEX HD CAP
10	12	0400122	SCREW, 3/8"-16 X 1-1/4" HEX HD CAP
11	9	0400260	SCREW, 5/8"-11 X 2" HEX HD CAP
12	9	0400421	NUT, 5/8"-11 NYLOK
13	4	0400452	WASHER, 1/4" LOCK
14	16	0400482	WASHER, 3/8" LOCK
15	9	0400506	WASHER, 5/8" FLAT
16	1	0703082	PIN, EXT CYLINDER PIVOT
17	1	0703137	SHAFT, EXT CYLINDER OUTER BOOM
18	1	0703965	RETAINER, BOLT-ON PAD
19	1	0704745	SHAFT, BOOM LIFT PIVOT
20	1	0704746	SHAFT, LOWER LIFT CYLINDER
21	1	0704747	SHAFT, BOOM PIVOT
22	4	0706668	SHIM, WINCH MOUNTING
23	1	0800942	INNER BOOM WELDMENT, DUAL
24	1	0801373	OUTER BOOM WELDMENT
25	1	0801375	WRECKER FRAME, DUAL WINCH
26	1	0801510	DIP STICK WELDMENT
27	2	0900007	BOOM END SWIVEL ASSEMBLY

Section VI - PARTS (cont'd)

412 WRECKER HYDRAULICS



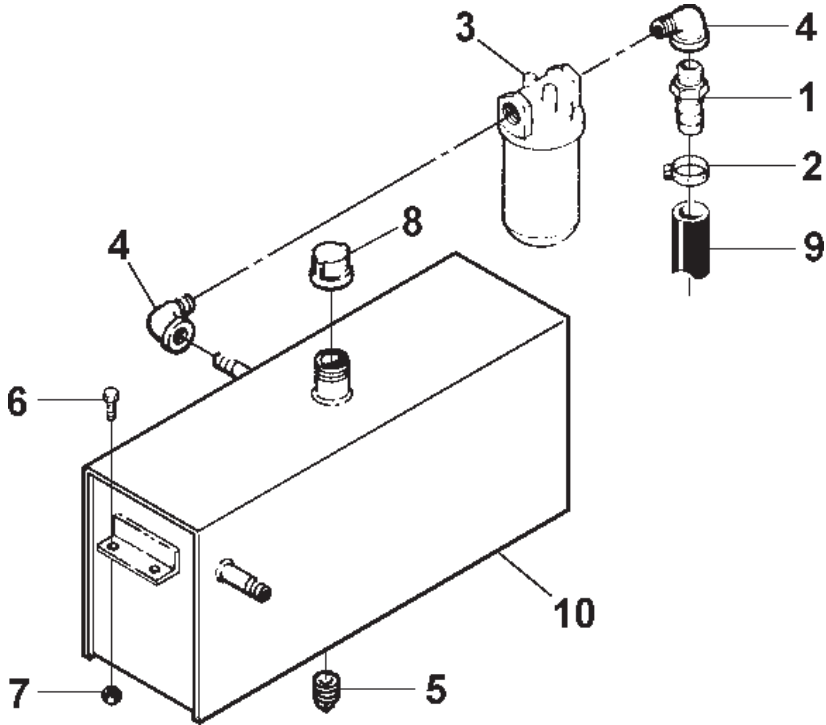
Section VI - PARTS (cont'd)

412 WRECKER HYDRAULICS

REF. NO.	NO. REQ'D	PART NUMBER	DESCRIPTION
1	REF.	0300010	VALVE, 3 SPOOL CONTROL
2	1	0300011	VALVE, 4 SPOOL CONTROL
3	4	0300041	CONNECTOR, 8MJ-8MB
4	4	0300044	CONNECTOR, 6MJ-8MB
5	2	0300052	ELBOW, 8MJ-10MB90
6	2	0300055	HOSE BARB, 12C4-12MP
7	2	0300071	CLAMP, HOSE 1"
8	2	0300090	MOTOR, HYDRAULIC
9	1	0300133	CLAMP, 3" - 4", CHK VALVE RET
10	1	0300136	RETURN LINE FILTER ASSY
11	4	0300142	ELBOW, 6MJ-4MP90
12	2	0300147	STREET ELBOW, 4MP-4FP90
13	1	0300206	TEE, BRANCH 6MJ-6MJ-4MP
14	1	0300209	ELBOW, 6MJ-6MP90
15	4	0300229	ELBOW, 8MP-8MJ90
16	1	0300286	ADAPTOR, H.P.C.O.
17	2	0300288	ELBOW, 90°, 3/4" NPT STREET
18	1	0300660	HIGH PRESSURE HOSE ASSY, 120"
19	2	0301207	HOSE ASSY, 72"
20	1	0301334	GROMMET, CATERPILLAR
21	1	0301375	ELBOW, 12MB-12FP90
22	1	0301388	ELBOW, 8MJ-8MB90
23	1	0301405	BENT TUBE ASSY, 4-1/2"
24	1	0301425	CONNECTOR, 6MJ-6MP
25	1	0301470	ELBOW, 6MJ-8MB90
26	1	0301471	HOSE ASSY, 30"
27	1	0301547	ELBOW, 8MJ-12MB90
28	1	0301696	ELBOW, 6MJ-6FJX90
29	1	0301731	HOLDING VALVE, 4000 PSI
30	1	0301755	BOOM EXTEND CYLINDER
31	1	0301780	CONNECTOR, 8MJ-12MB
32	1	0301790	HOSE ASSY, 15"
33	2	0301893	HOSE ASSY, 84"
34	2	0301902	HOSE ASSY, 35"
35	1	0301964	HOSE ASSY, 65"
36	1	0301965	HOSE ASSY, 131"
37	1	0302356	BOOM LIFT CYLINDER
38	1	0302777	HOSE ASSY, 16"
39	2	0400069	SCREW, 1/4"-20 X 2" RD HD
40	6	0400140	SCREW, 3/8"-16 X 4" HEX HD CAP
41	2	0400366	NUT, 1/4"-20 HEX
42	6	0400392	UT, 3/8"-16 NYLOK HEX
43	2	0400451	WASHER, 1/4" FLAT
44	2	0400452	WASHER, 1/4" HELICAL LOCK
45	1	0700238	BRACKET, HOLDING VALVE
46	1	0705085	HOSE, 3/4" ID X 48" RETURN

Section VI - PARTS (cont'd)

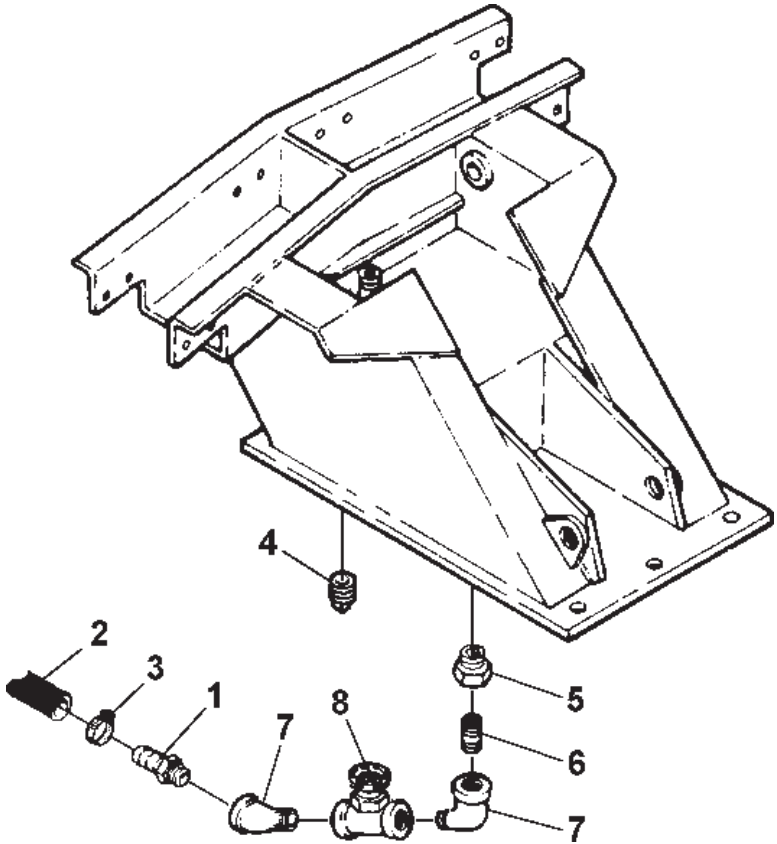
FORMULA I (W/O WRECKER) SUCTION



REF. NO.	NO. REQ'D	PART NUMBER	DESCRIPTION
1	1	0300055	HOSEBARB, 12C4-12MP
2	2	0300071	CLAMP, HOSE 1"
3	1	0300136	RETURN LINE FILTER ASSEMBLY
4	2	0300288	ELBOW, STREET 90° 3/4" MALLEABLE BLACK
5	1	0300347	PLUG, 1/2" SQ HD BLACK
6	4	0400126	SCREW, 3/8"-16 X 1" HEX HD CAP
7	4	0400392	NUT, 3/8"-16 NYLOK HEX
8	1	0702741	RESERVOIR CAP
9	1	0705085	HOSE, RETURN 3/4" X 48"
10	1	0800788	RESERVOIR WELDMENT

Section VI - PARTS (cont'd)

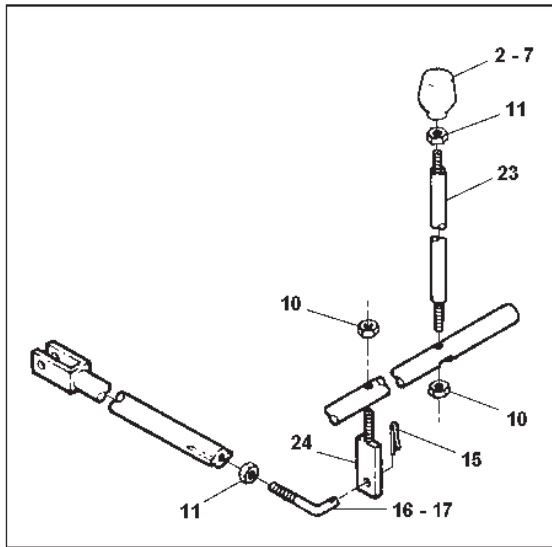
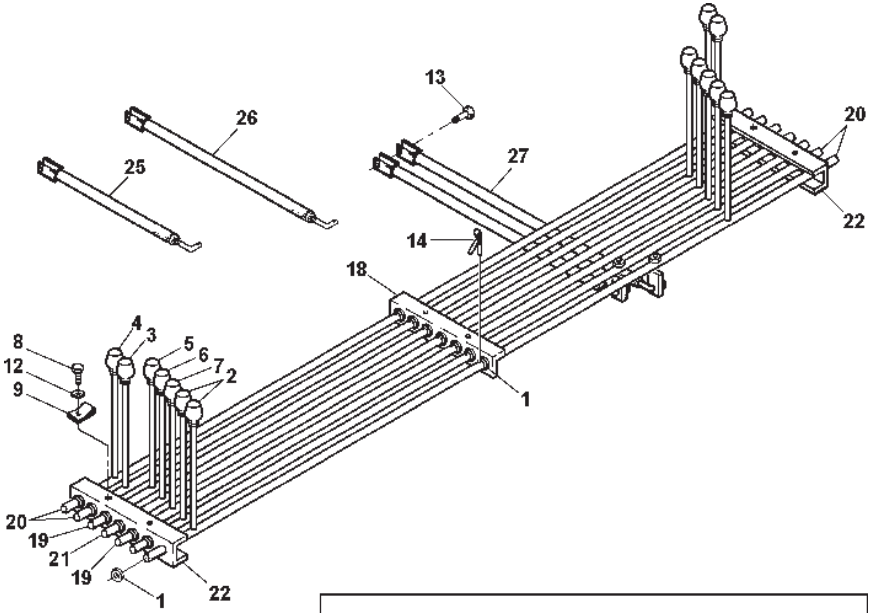
411 & 412 WRECKER SUCTION



REF. NO.	NO. REQ'D	PART NUMBER	DESCRIPTION
1	1	0300056	BARB, 16C4-16MP
2	9 FT	0300058	HOSE, SUCTION 1"
3	1	0300071	CLAMP, HOSE 1"
4	1	0300446	PLUG, PIPE 3/4" NPT MALE
5	1	0302108	BUSHING, REDUCER, 20MP-16FP
6	1	0302959	NIPPLE, 1" NPT X 3"
7	2	0303099	ELBOW, STREET 45° 1" MALLEABLE BLACK
8	1	HC1338	VALVE, GATE 1" BRASS

Section VI - PARTS (cont'd)

CONTROL & CROSSROD ASSEMBLY



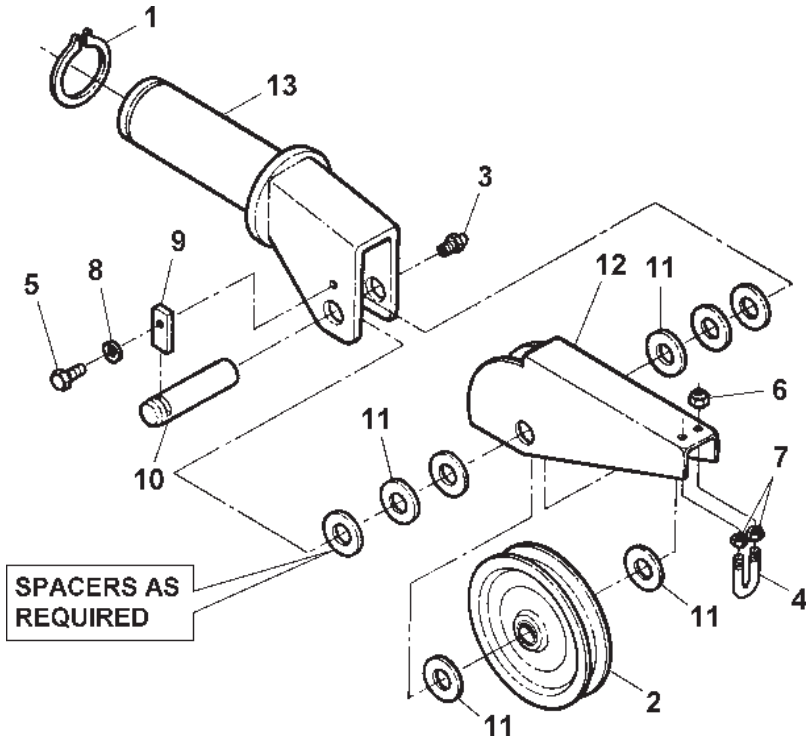
Section VI - PARTS (cont'd)

CONTROL & CROSSROD ASSEMBLY

REF. NO.	NO. REQ'D	PART NUMBER	DESCRIPTION
1	21	0300122	GROMMET, SPLIT PLASTIC
2	4	0300834	KNOB, CABLE "IN-OUT" (RED)
3	2	0300835	KNOB, WRECKER BOOM "UP-DN" (BLACK)
4	2	0300837	KNOB, WRECKER BOOM "IN-OUT" (BLACK)
5	2	0302856	KNOB W/L "TILT" (GRAY)
6	2	0302917	KNOB, W/L "IN-OUT" (GRAY)
7	2	0302967	KNOB, W/L "UP-DN" (GRAY)
8	6	0400066	SCREW, 1/4"-20 X 3/4" HEX HD CAP
9	6	0400370	CLIP, 1/4" TINNERMAN
10	21	0400390	NUT, 3/8"-16 HEX JAM ESLOK
11	21	0400393	NUT, 3/8"-16 HEX JAM
12	6	0400452	LOCKWASHER, 1/4" HELICAL
13	7	0400527	CLEVIS PIN, 5/16" X 5/8" COTTERLESS
14	14	0400542	COTTER PIN, 3/16" X 1-1/4"
15	7	0400543	COTTER PIN, 1/8" X 3/4"
16	5	0701099	EXTENSION, CONTROL ROD LONG
17	2	0701927	EXTENSION, CONTROL ROD SHORT
18	1	0703501	ANGLE, CROSSROD BEARING
19	2	0704528	CROSSROD - W/L
20	4	0704529	CROSSROD - WRECKER
21	1	0704530	CROSSROD - TILT
22	2	0704517	CHANNEL, CROSS ROD BEARING
23	14	0704527	LEVER, CONTROL
24	7	0800604	ARM, CROSS CONTROL
25	3	0801309	CONTROL ROD, SHORT
26	2	0801310	CONTROL ROD, MEDIUM
27	2	0801311	CONTROL ROD, LONG

Section VI - PARTS (cont'd)

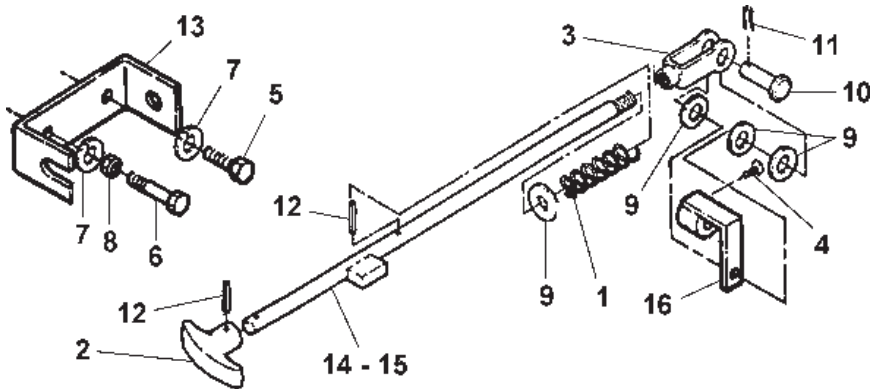
BOOM END SWIVEL ASSEMBLY



REF. NO.	NO. REQ'D	PART NUMBER	DESCRIPTION
1	1	0300108	SNAP RING, 2-1/2" DIA EXT
2	1	0300022	6" SHEAVE
3	1	0300113	GREASE FITTING
4	1	0301531	"U" BOLT (FROM 3/8" CABLE CLAMP)
5	1	0400060	SCREW, 1/4"-20 X 1/2" HEX HD CAP
6	1	0400392	NUT, 3/8"-16 HEX NYLOK
7	2	0400393	NUT, 3/8"-16 HEX JAM
8	2	0400452	1/4" LOCKWASHER
9	1	0700032	SHAFT RETAINER
10	1	0700056	SHAFT
11	--	0700166	WASHER-SPACER
12	1	0702285	CABLE GUIDE
13	1	0800003	BOOM END SWIVEL

Section VI - PARTS (cont'd)

WINCH CLUTCH CONTROL ASSEMBLY

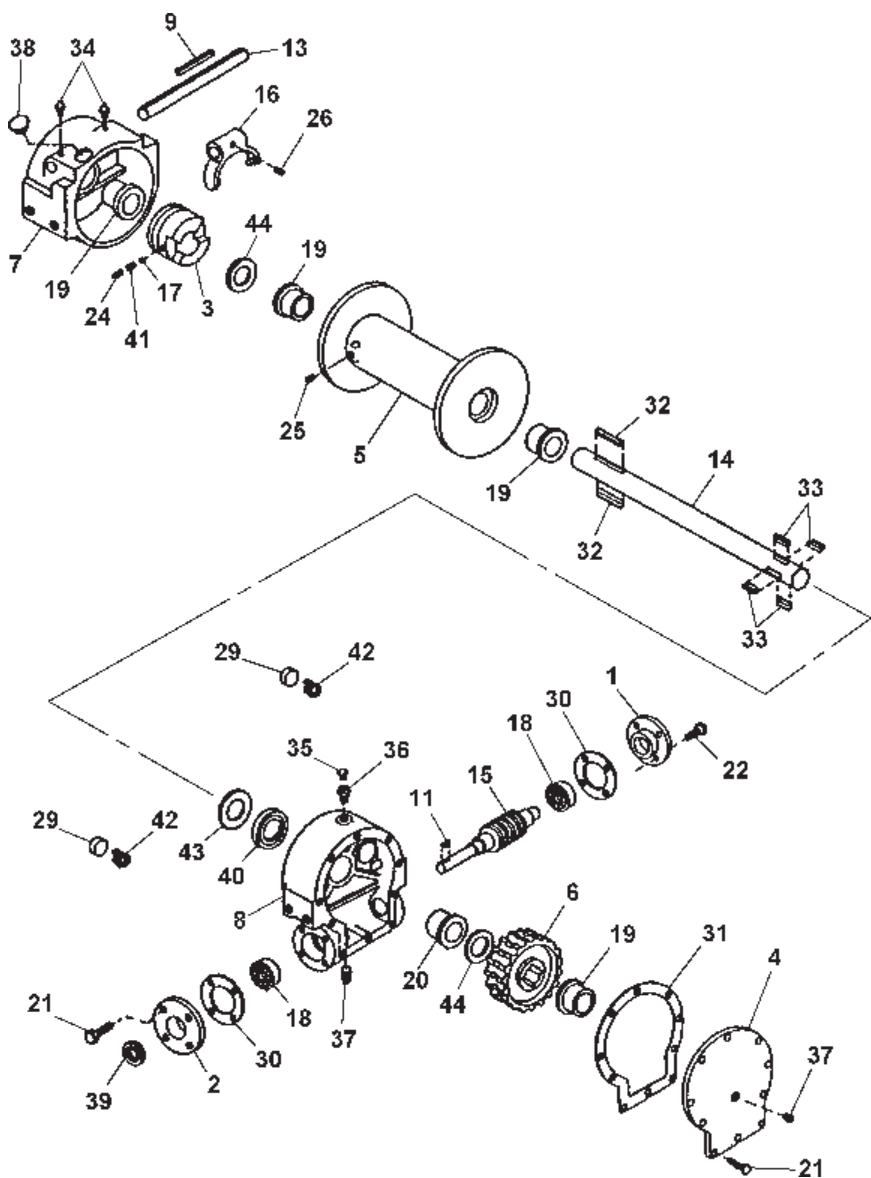


2 ASSEMBLIES REQUIRED FOR 412 (DUAL WINCH)

REF. NO.	NO. REQ'D	PART NUMBER	DESCRIPTION
1	1	0300845	SPRING, COMPRESSION
2	1	0301532	"T" HANDLE
3	1	0301588	ADJUSTING YOKE
4	1	0400116	SCREW, 5/16"-18 X 1/2" SQ HD SET
5	1	0400122	SCREW, 3/8"-16 X 1-1/4" HEX HD CAP (SINGLE WINCH)
--	1	0400126	SCREW, 3/8"-16 X 1" HEX HD CAP (DUAL WINCH)
6	1	0400150	SCREW, 3/8"-16 X 2-1/2" HEX HD CAP
7	2	0400482	WASHER, 3/8" LOCK
8	1	0400393	NUT, 3/8"-16 JAM
9	4	0400492	WASHER, 1/2" FLAT
10	1	0400537	PIN, 1/2" X 1-1/2" CLEVIS
11	1	0400546	PIN, 1/8" X 1-1/4" COTTER
12	2	0400560	PIN, 5/32" X 1" ROLL
13	1	0702408	MOUNTING CHANNEL
14	1	0800780	CONTROL ROD, SINGLE WINCH
15	1	0800781	CONTROL ROD, DUAL WINCH
16	1	0800779	WELDMENT, BELL CRANK

Section VI - PARTS (cont'd)

HYDRAULIC WINCH



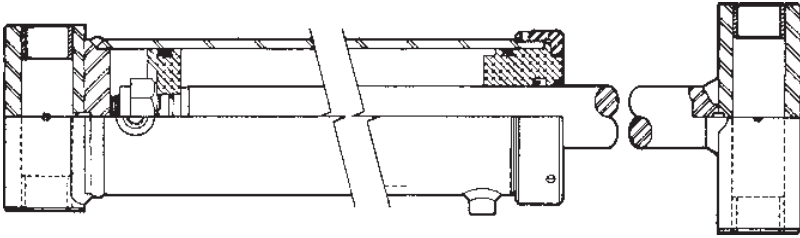
Section VI - PARTS (cont'd)

HYDRAULIC WINCH

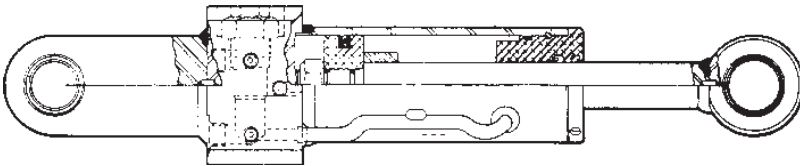
REF. NO.	NO. REQ'D	PART NUMBER	DESCRIPTION
1	1	316083	BEARING CAP
2	1	316084	BEARING CAP
3	1	324161	JAW CLUTCH
4	1	328134	COVER
5	1	332007	DRUM "Y"
6	1	334164	GEAR L.H. 46:1
7	1	338003	HOUSING, CLUTCH
8	1	338273	HOUSING, GEAR
9	1	342018	KEY
10	1	342024	KEY
11	1	342027	KEY
12	1	344008	LEVER, SHIFTER
13	1	356902	SHAFT, SHIFTER
14	1	357480	SHAFT, DRUM "Y"
15	1	368009	WORM L.H. 46:1
16	1	370001	YOKE
17	1	400001	BALL, POPPET
18	2	402002	BEARING, BALL
19	4	412003	BUSHING
20	1	412045	BUSHING
21	10	414038	SCREW, 1/4-20 X 3/4" HEX HD CAP
22	8	414045	SCREW, 1/4-20 X 7/8" HEX HD CAP
23	4	414282	SCREW, 3/8-16 X 3/4" HEX HD CAP
24	1	416040	SCREW, 1/4-20 X 1-1/4" SKT HD LESS SET
25	1	416059	SCREW, 3/8-16 X 3/8" SKT HD LESS SET
26	1	416084	SCREW, 1/4-20 X 1/2" SQ HD SET
27	1	416109	SCREW, 5/16-18 X 1/2" SQ HD SET
28	4	418177	LOCKWASHER, 3/8 MED SECT
29	2	438014	DRAG BRAKE
30	2	442184	GASKET
31	1	442205	GASKET
32	2	450006	KEY, BARTH
33	4	450016	KEY, BARTH
34	2	456006	FITTING, LUBE
35	1	456008	FITTING, RELIEF
36	1	468002	REDUCER
37	2	468011	PIPE PLUG
38	1	472013	PLASTIC PLUG
39	1	486009	OIL SEAL
40	4	486017	OIL SEAL
41	1	494001	SPRING, POPPET
42	2	494002	SPRING
43	1	518014	THRUST WASHER
44	2	518015	THRUST WASHER

Section VI - PARTS (cont'd)

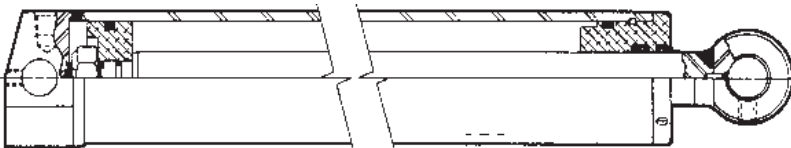
HYDRAULIC CYLINDERS - WHEEL LIFT



REF. NO.	NO. REQ'D	PART NUMBER	DESCRIPTION
1	1	0303681	HYDRAULIC CYLINDER, LIFT (COMPLETE)
2	1	0304573	SEAL KIT, LIFT CYLINDER



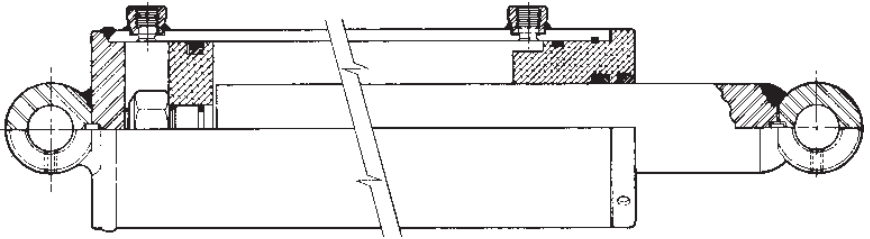
REF. NO.	NO. REQ'D	PART NUMBER	DESCRIPTION
1	1	0303675	HYDRAULIC CYLINDER., TILT (COMPLETE) L.H.
2	1	0303674	HYDRAULIC CYLINDER., TILT (COMPLETE) R.H.
3	2	0304492	SEAL KIT, TILT CYLINDER



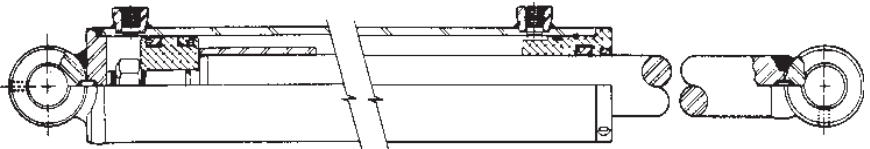
REF. NO.	NO. REQ'D	PART NUMBER	DESCRIPTION
1	1	0301825	HYDRAULIC CYLINDER, EXTEND (COMPLETE)
2	1	0304086	SEAL KIT, EXTEND CYLINDER

Section VI - PARTS (cont'd)

HYDRAULIC CYLINDERS - WRECKER



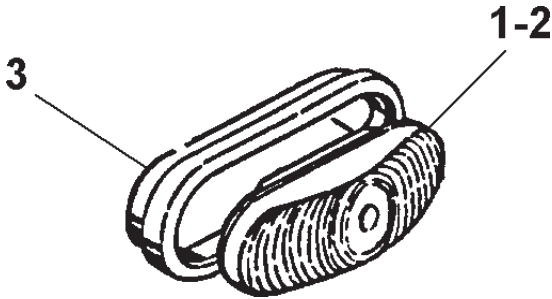
REF. NO.	NO. REQ'D	PART NUMBER	DESCRIPTION
1	1	0302218	HYDRAULIC CYLINDER, LIFT (COMPLETE)
2	1	0300625	SEAL KIT, LIFT CYLINDER



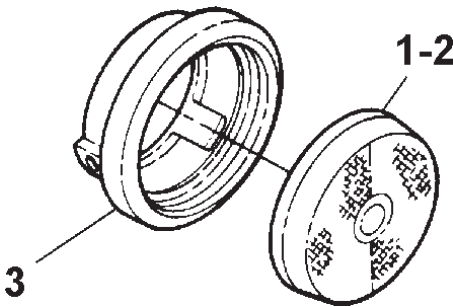
REF. NO.	NO. REQ'D	PART NUMBER	DESCRIPTION
1	1	0301755	HYDRAULIC CYLINDER., EXTEND (COMPLETE)
2	1	0300624	SEAL KIT, EXTEND CYLINDER

Section VI - PARTS (cont'd)

LIGHT KIT

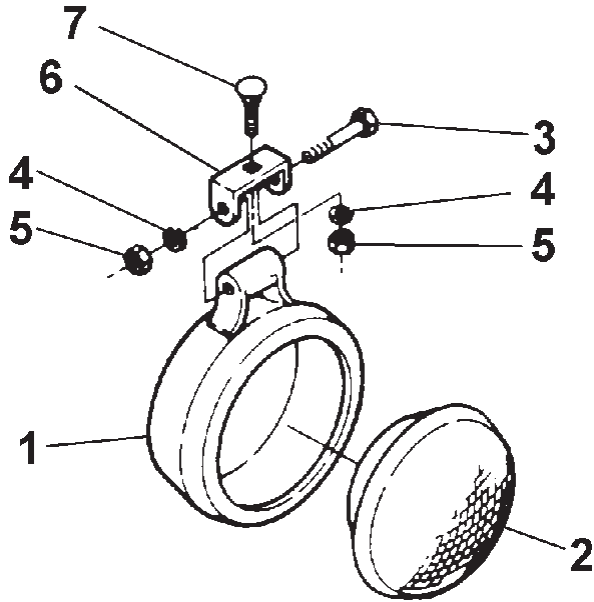


REF. NO.	NO. REQ'D	PART NUMBER	DESCRIPTION
1	2	0303123	LIGHT, SEALED RED, STOP & TURN
2	2	0303124	LIGHT, SEALED WHITE, BACKUP
3	4	0303128	TAIL LIGHT GROMMET



REF. NO.	NO. REQ'D	PART NUMBER	DESCRIPTION
1	4	0303125	LIGHT, SEALED MARKER, RED
2	2	0303126	LIGHT, SEALED MARKER, AMBER
3	6	0303127	GROMMET

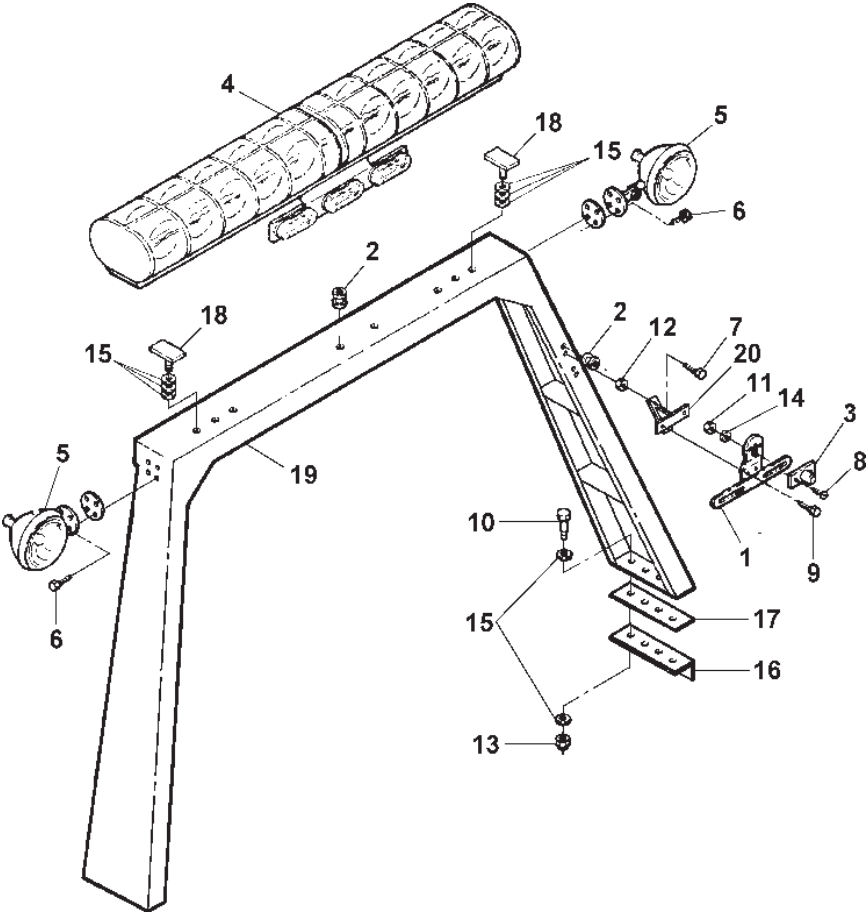
Section VI - PARTS (cont'd) LIGHT KIT (cont'd)



REF. NO.	NO. REQ'D	PART NUMBER	DESCRIPTION
1	1	0304147	HOUSING
2	1	0304152	BULB
3	1	0304151	PIVOT SCREW
4	2	0304150	LOCKWASHER
5	2	0304153	NUT
6	1	0301505	MOUNTING BRACKET
7	1	0304148	MOUNTING SCREW
8	1	0304149	LIGHT, BACKUP (COMPLETE)

Section VI - PARTS (cont'd)

LIGHTING ACCESSORIES - DECK MOUNT



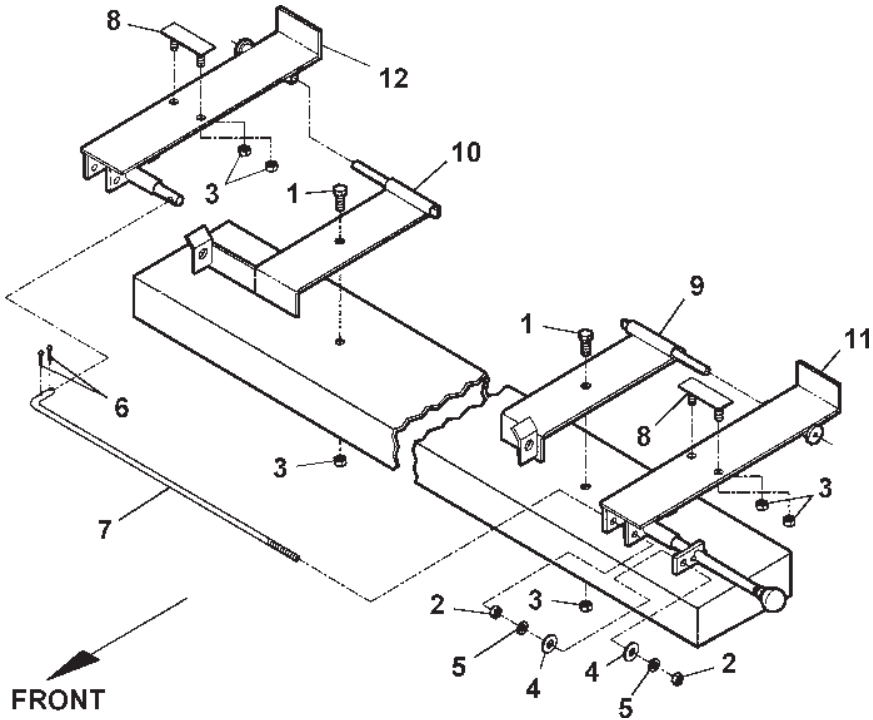
Section VI - PARTS (cont'd)

LIGHTING ACCESSORIES - DECK MOUNT

REF. NO.	NO. REQ'D	PART NUMBER	DESCRIPTION
1	1	0300076	LICENSE PLATE HOLDER
2	2	0300117	RUBBER GROMMET
3	1	0300273	LICENSE PLATE ILLUMINATOR
4	1	0301359	WRECKER SPECIAL LIGHT
5	2	0302158	SPOTLIGHT W/GASKET
6	8	0400039	SCREW, #10-32 X 3/4" SELF-TAPPING
7	2	0400057	SCREW, 1/4"-20 X 1-1/2" HEX HD CAP
8	2	0400061	SCREW, 1/4"-20 X 3/4" PAN HD
9	2	0400062	SCREW, 1/4"-20 X 3/4" THD CUT HEX HD
10	8	0400132	SCREW, 3/8"-16 X 1-1/2" HEX HD CAP
11	2	0400366	NUT, 1/4"-20 HEX PLAIN
12	2	0400367	NUT, 1/4"-20 NYLOK HEX
13	8	0400392	NUT, 3/8"-16 HEX HD NYLOK
14	2	0400452	LOCKWASHER, 1/4"
15	22	0400480	WASHER, 3/8" FLAT
16	2	0710028	ANGLE, PYLON BASE REINFORCING
17	2	0710030	GASKET, PYLON BASE - 22" PYLON
	--	0710031	GASKET, PYLON BASE - 26" PYLON
	--	0710032	GASKET, PYLON BASE - 33" PYLON
	--	0710033	GASKET, PYLON BASE - 36" PYLON
	--	0710034	GASKET, PYLON BASE - 40" PYLON
	--	0710035	GASKET, PYLON BASE - 42" PYLON
	--	0710036	GASKET, PYLON BASE - 45" PYLON
18	2	0801777	"T" BOLT ADAPTER
19	1	0802832	LIGHT MOUNTING PYLON - 22"
	--	0802833	LIGHT MOUNTING PYLON - 26"
	--	0802834	LIGHT MOUNTING PYLON - 33"
	--	0802835	LIGHT MOUNTING PYLON - 36"
	--	0802836	LIGHT MOUNTING PYLON - 40"
	--	0802837	LIGHT MOUNTING PYLON - 42"
	--	0802838	LIGHT MOUNTING PYLON - 45"
20	1	0802885	BRACKET, LICENSE PLATE MOUNTING

Section VI - PARTS (cont'd)

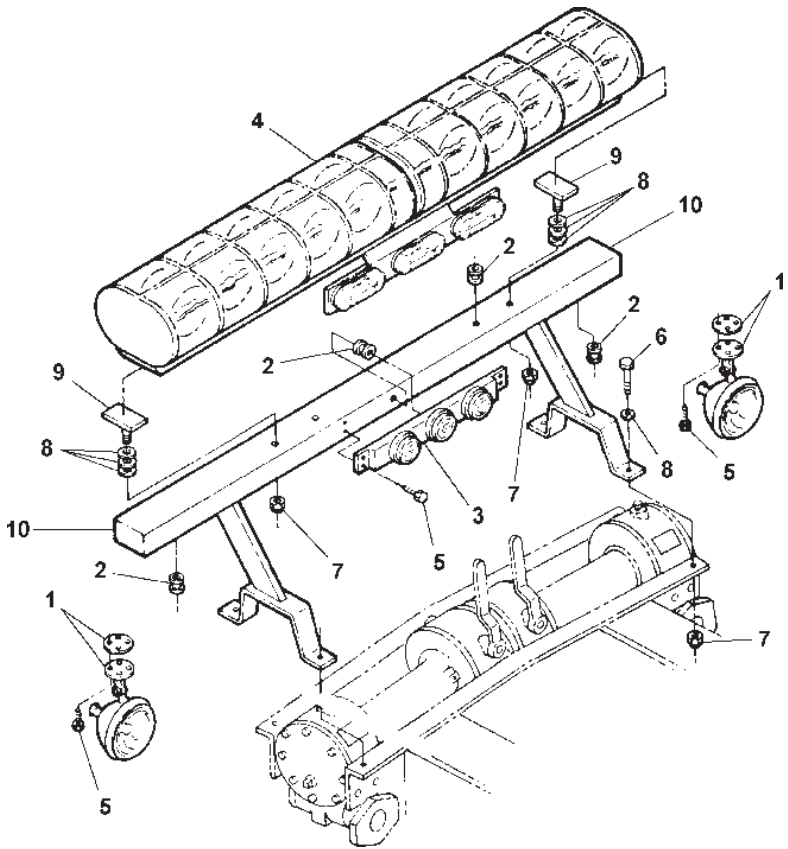
FOLD DOWN LIGHT BRACKET (PYLON)



REF. NO.	NO. REQ'D	PART NUMBER	DESCRIPTION
1	2	0400126	SCREW, 3/8"-16 X 1" HEX HD CAP
2	2	0400381	NUT, 5/16"-18 HEX
3	6	0400392	NUT, 3/8"-16 NYLOK HEX
4	2	0400463	WASHER, 5/16" FLAT
5	2	0400464	LOCKWASHER, 5/16" HELICAL
6	2	0400543	PIN, 1/8" X 3/4" COTTER
7	2	0703886	ROD, CONNECTING
8	1	0801120	TEE BOLT - FOLD DOWN LIGHT BRACKET
9	1	0903130	L.H. BOTTOM HINGE ASSEMBLY
10	1	0903131	R.H. BOTTOM HINGE ASSEMBLY
11	1	0903132	L.H. TOP HINGE ASSEMBLY
12	1	0903133	R.H. TOP HINGE ASSEMBLY

Section VI - PARTS (cont'd)

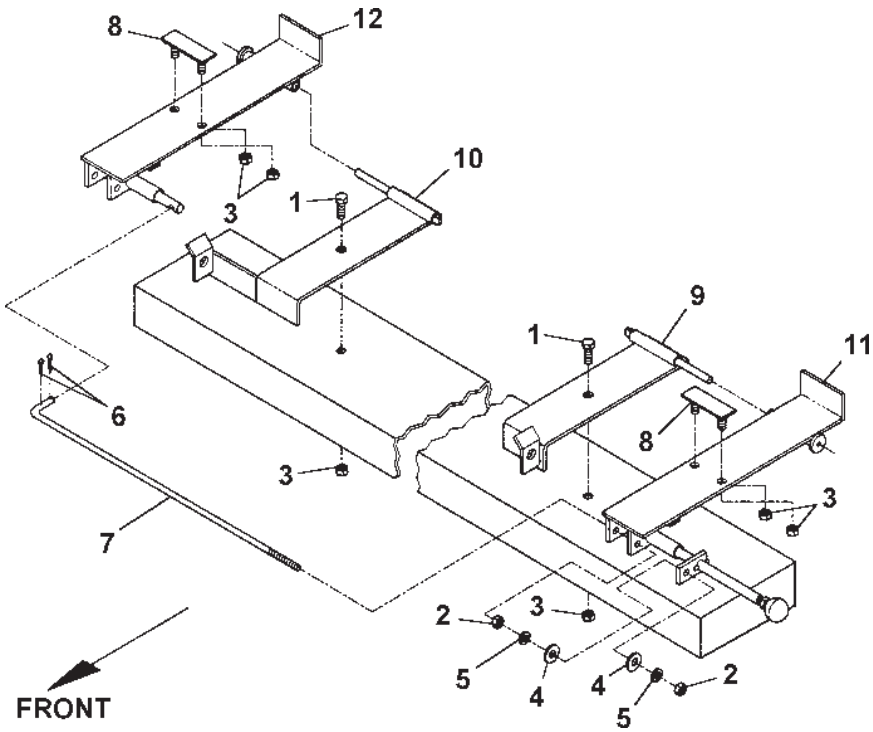
LIGHTING ACCESSORIES - WINCH MOUNT



REF. NO.	NO. REQ'D	PART NUMBER	DESCRIPTION
1	2	0300095	SPOTLIGHT W/GASKET
2	3	0300117	RUBBER GROMMET
3	1	0300442	3 BAR LIGHT
4	1	0301359	WRECKER SPECIAL LIGHT
5	12	0400027	SCREW, #8-32 X 5/8" SELF-TAPPING
6	4	0400122	SCREW, 3/8"-16 X 1-1/4" HEX HD CAP
7	14	0400392	NUT, 3/8"-16 NYLOK HEX
8	18	0400480	FLAT WASHER, 3/8"
9	2	0800539	"T" BOLT ADAPTER
10	1	0801427	LIGHT BAR FOR WRECKER

Section VI - PARTS (cont'd)

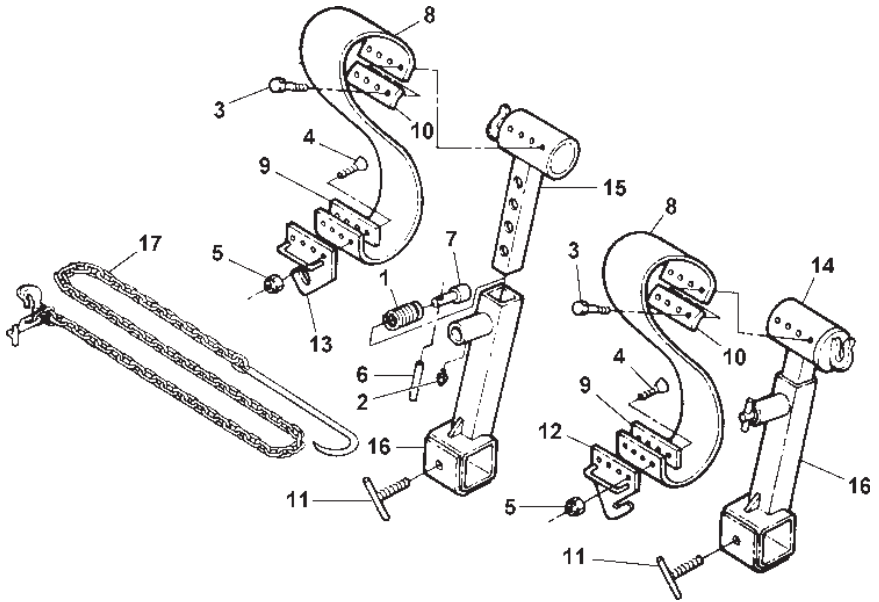
FOLD DOWN LIGHT BRACKET (WINCH MOUNTED LIGHT BAR)



REF. NO.	NO. REQ'D	PART NUMBER	DESCRIPTION
1	2	0400126	SCREW, 3/8"-16 X 1" HEX HD CAP
2	2	0400381	NUT, 5/16"-18 HEX
3	6	0400392	NUT, 3/8"-16 NYLOK HEX
4	2	0400463	WASHER, 5/16" FLAT
5	2	0400464	LOCKWASHER, 5/16" HELICAL
6	2	0400543	PIN, 1/8" X 3/4" COTTER
7	1	0703886	ROD, CONNECTING
8	1	0801120	TEE BOLT - FOLD DOWN LIGHT BRACKET
9	2	0900985	L.H. BOTTOM HINGE ASSEMBLY
10	1	0900986	R.H. BOTTOM HINGE ASSEMBLY
11	1	0900987	L.H. TOP HINGE ASSEMBLY
12	1	0900988	R.H. TOP HINGE ASSEMBLY

Section VI - PARTS (cont'd)

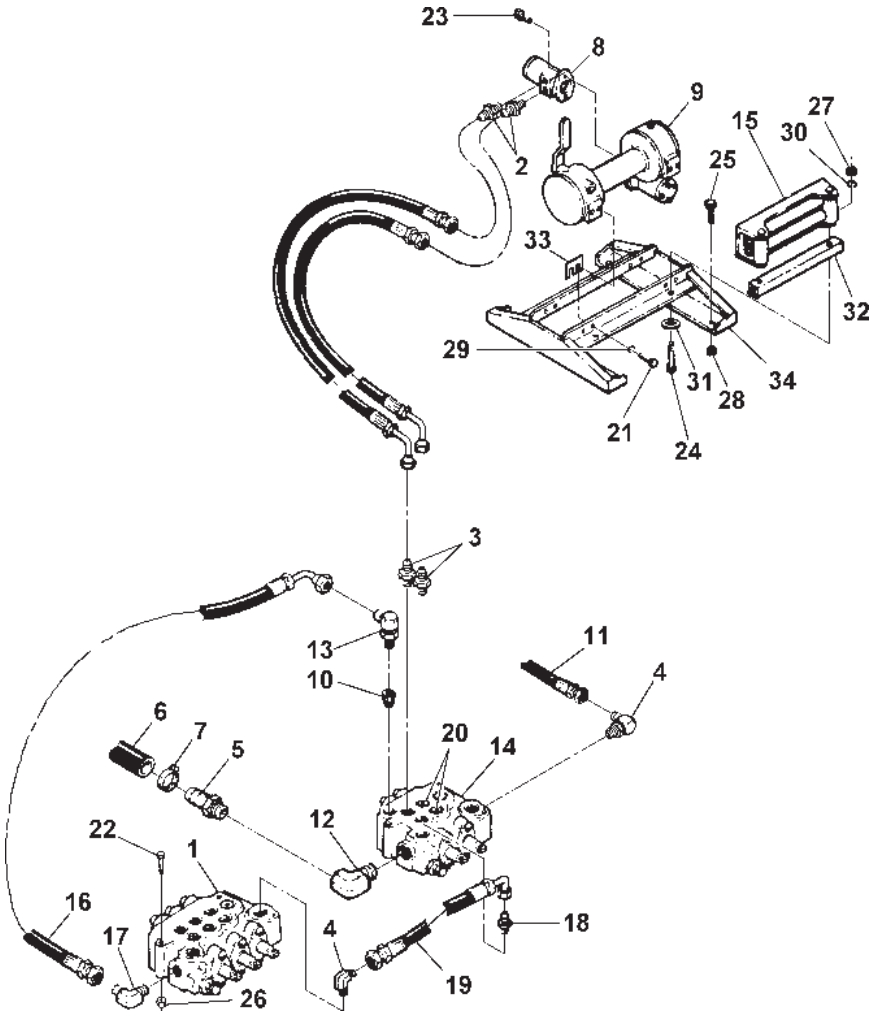
TOW SLING ADAPTERS - FORMULA I



REF. NO.	NO. REQ'D	PART NUMBER	DESCRIPTION
1	2	0300004	SPRING, PLUNGER
2	2	0300113	GREASE FITTING
3	8	0400105	SCREW, 5/8"-18 X 1-1/4" SELF-TAPPING
4	8	0400156	SCREW, 3/8"-16 X 1-1/4" FLAT HD SKT
5	8	0400392	NUT, 1/8"-16 NYLOK
6	2	0400568	ROLL PIN
7	2	0700154	PIN, PLUNGER
8	2	0701919	TOW SLING BELT
9	2	0701920	GRIP PLATE
10	2	0701921	BELT RETAINER
11	2	0800590	TEE HANDLE
12	1	0800608	CHAIN KEEPER, LEFT
13	1	0800609	CHAIN KEEPER, RIGHT
14	1	0800692	INNER ADJUSTMENT TUBE, LEFT
15	1	0800693	INNER ADJUSTMENT TUBE, RIGHT
16	2	0800823	MOUNTING BRACKET
17	2	0900176	"J" HOOK ASSY

Section VI - PARTS (cont'd)

FORMULA I - DRAG WINCH



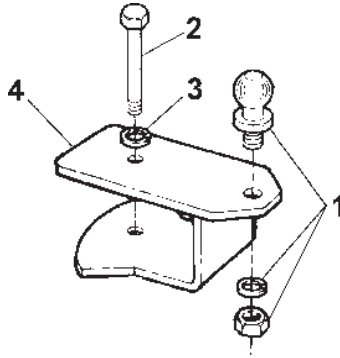
Section VI - PARTS (cont'd)

FORMULA I - DRAG WINCH

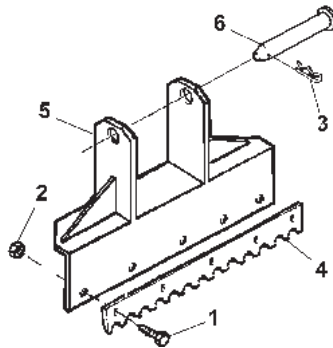
REF. NO.	NO. REQ'D	PART NUMBER	DESCRIPTION
1	REF.	0300010	VALVE, 3-SPOOL CONTROL
2	2	0300040	CONNECTOR, 8MJ-8MP
3	2	0300041	CONNECTOR, 8MJ-8MB
4	2	0300052	ELBOW, 8MJ-10MB90
5	1	0300055	HOSE BARB, 12C4-12MP
6	1	0300057	RETURN HOSE, 3/4" ID X 48"
7	1	0300071	CLAMP, HOSE 1"
8	1	0300090	MOTOR, HYDRAULIC
9	1	0300251	WINCH, HLC-246 LEFT REAR
10	1	0300286	ADAPTER, H.P.C.O.
11	1	0300660	HIGH PRESSURE HOSE ASSEMBLY, 120"
12	1	0301375	ELBOW, 12MB-12FP90
13	1	0301388	ELBOW, 8MJ-8MB90
14	1	0301415	VALVE, 2-SPOOL CONTROL
15	1	0301444	CABLE TENSIONER, DRAGLINE
16	3	0301471	HOSE ASSEMBLY, 30"
17	1	0301547	ELBOW, 8MJ-12MB90
18	1	0301780	CONNECTOR, 8MJ-12MB
19	1	0301790	HOSE ASSEMBLY, 15"
20	2	0302031	HOLE PLUG
21	6	0400122	SCREW, 3/8"-16 X 1-1/4" HEX HD CAP
22	6	0400140	SCREW, 3/8"-16 X 4" HEX HD CAP
23	2	0400196	SCREW, 1/2"-13 X 1-1/4" SKT HD CAP
24	2	0400197	SCREW, 1/2"-13 X 2-3/4" HEX HD CAP
25	4	0400260	SCREW, 5/8"-11 X 2" HEX HD CAP
26	6	0400392	NUT, 3/8"-16 NYLOK HEX
27	2	0400417	NUT, 1/2"-13 HEX
28	4	0400421	NUT, 5/8"-11 NYLOK HEX
29	8	0400482	LOCKWASHER, 3/8" HELICAL
30	2	0400491	LOCKWASHER, 1/2" HELICAL
31	2	0400492	WASHER, 1/2" FLAT
32	1	0701756	SPACER TUBE
33	2	0706668	SHIM, WINCH MOUNTING
34	1	0801029	FRAME, DRAG WINCH

Section VI - PARTS (cont'd)

WHEEL LIFT ATTACHMENTS



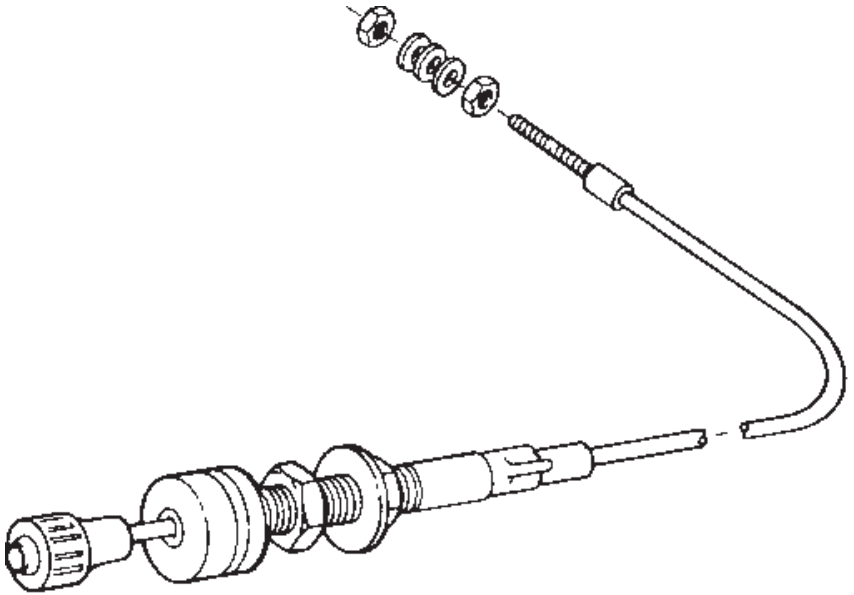
REF. NO.	NO. REQ'D	PART NUMBER	DESCRIPTION
1	1	0300091	BALL, TRAILER, 2" CHROME
2	1	0400294	SCREW, 3/4"-10 X 5-1/2" HEX HD CAP
3	1	0400511	LOCKWASHER, 3/4" HELICAL
4	1	0801091	TOWBALL BRACKET



REF. NO.	NO. REQ'D	PART NUMBER	DESCRIPTION
1	5	0400181	SCREW, 1/2"-13 X 1-1/2" HEX HD CAP
2	5	0400408	NUT 1/2"-13 NYLOK
3	1	0400585	HAIR PIN COTTER
4	1	0703459	OUTRIGGER BLADE
5	1	0801272	SPADE ATTACHMENT
6	1	0801273	SPADE PIN

Section VI - PARTS (cont'd)

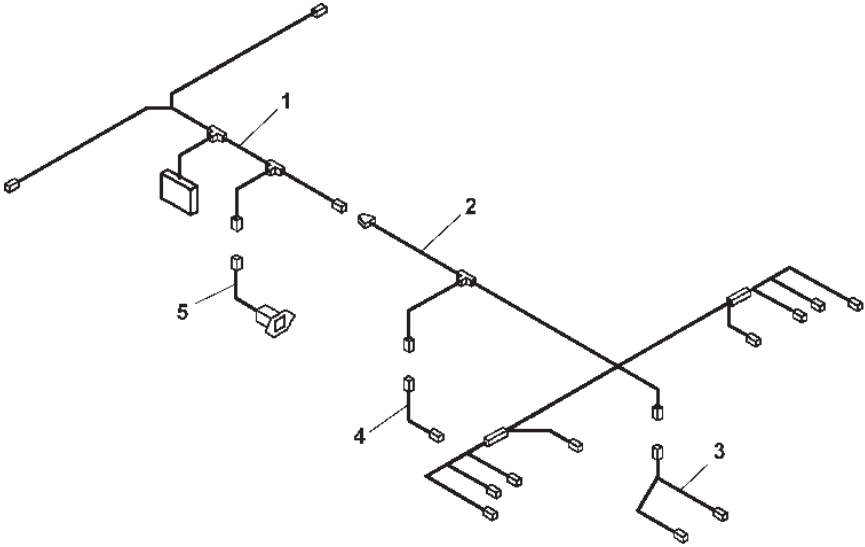
THROTTLE CONTROL



REF. NO.	NO. REQ'D	PART NUMBER	DESCRIPTION
1	1	0300683	THROTTLE CONTROL, 16' - 60 C.A.
2	1	0300684	THROTTLE CONTROL, 18' - 84 C.A.
3	1	0900377	KIT, THROTTLE, FORD & CHEVY

Section VI - PARTS (cont'd)

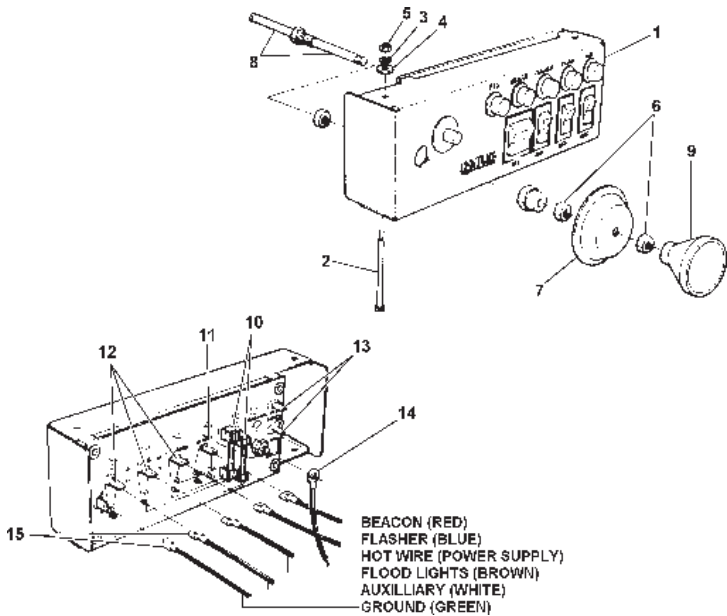
WIRING KIT



REF. NO.	NO. REQ'D	PART NUMBER	DESCRIPTION
1	1	0303110	FRONT HARNESS & JUNCTION BOX
2	1	0303111	REAR HARNESS
3	1	0303112	WORK LIGHT HARNESS
4	1	0303153	BACK UP ALARM HARNESS
5	1	0301671	4 POLE SKT & HARNESS

Section VI - PARTS (cont'd)

OPTIONAL PTO PANEL



REF. NO.	NO. REQ'D	PART NUMBER	DESCRIPTION
1	1	0304155	SWITCH PANEL HOUSING
2	2	0304156	SCREW, #10-32 X 3-3/8", MTG
3	2	0304157	LOCKWASHER, #10 EXT TOOTH
4	2	0304158	WASHER, #10 FLAT
5	2	0304166	NUT, 10-32
6	2	0304160	JAM NUT
7	1	0304161	ACTUATOR DISK
8	1	--	PTO CABLE, 14 FT (*SPECIFY MAKE & MODEL OF TRUCK)
9	1	0304163	PTO KNOB
10	2	0304162	CIRCUIT BREAKER, 40 AMP
11	1	0304154	SWITCH, DOUBLE POLE, SINGLE THROW
12	2	0304006	SWITCH, SINGLE POLE, SINGLE THROW
13	1	0304164	PTO LIGHT SWITCH
14	1	0301503	RING CONNECTOR
15	3	0304165	SPADE CONNECTOR

CENTURY®

Miller Industries Towing Equipment Inc.

8503 Hilltop Drive • Ooltewah, Tennessee 37363 • (423) 238-4171

www.millerind.com