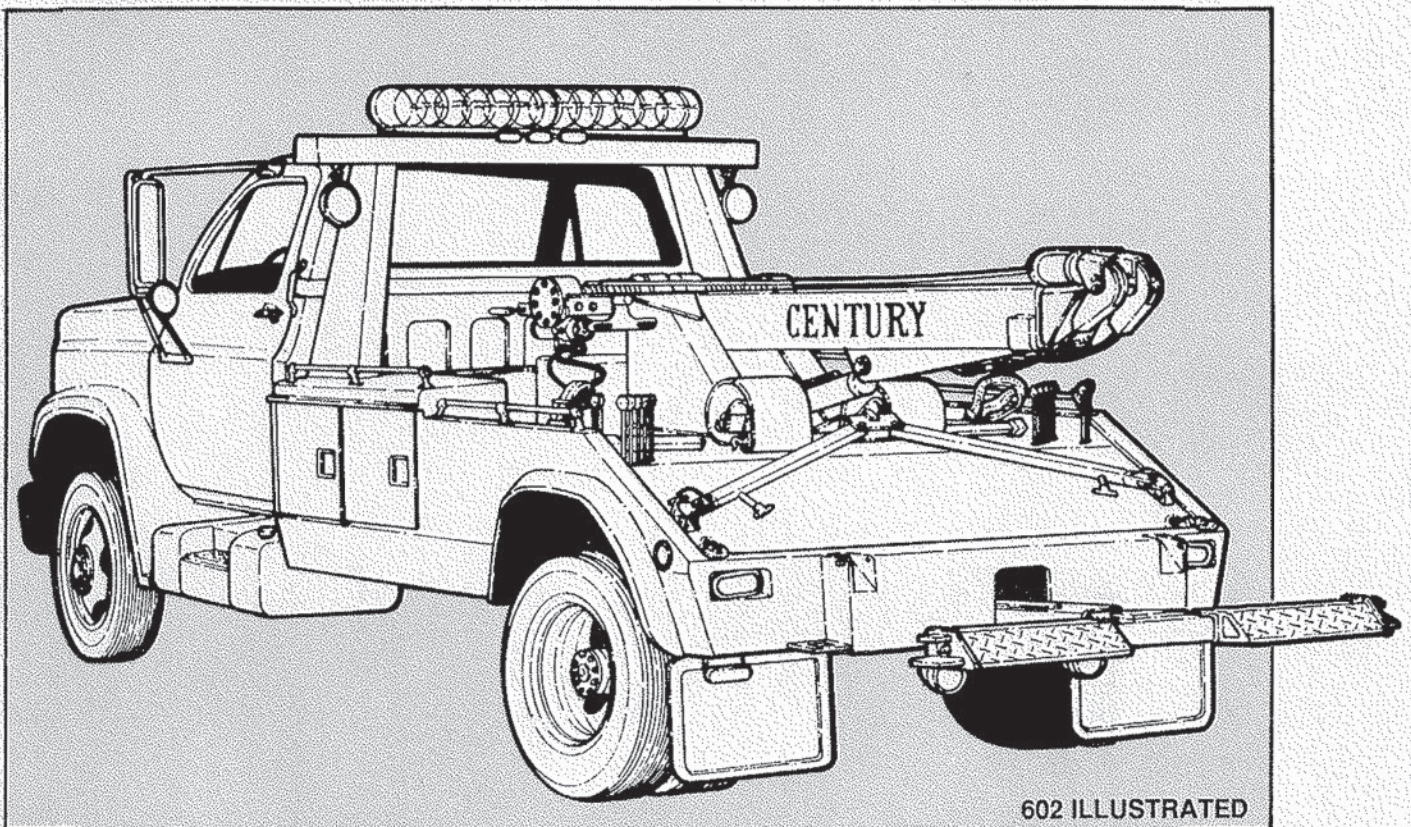


CENTURY®



602 ILLUSTRATED

OWNER'S MANUAL

FORMULA 6000 & 600 SERIES

OPERATION, MAINTENANCE & PARTS

CENTURY

1-75 at Ooltewah Exit #11 • 8503 Hilltop Drive • Ooltewah, Tennessee 37363 • (615) 238-4171
Mailing Address: P.O. Box 120 • Ooltewah, Tennessee 37363 • Telex: 856967 CENWKRTN UD • FAX (615) 238-5371

FORM NO. 0500482
PRICE \$15.00

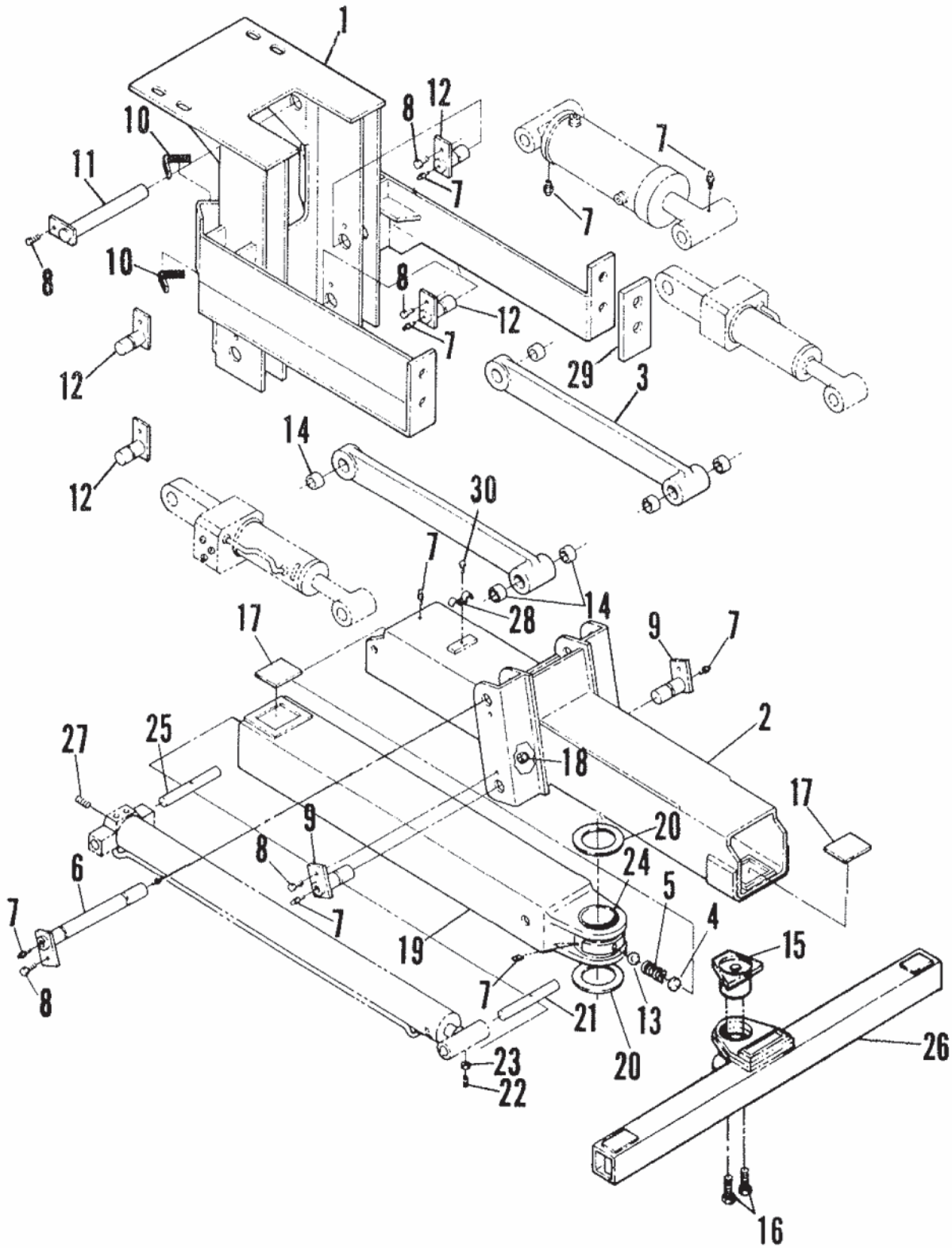
Section VI - PARTS - BODY ASSEMBLY

FORMULA 6000 & 600 Series

REF. NO.	NO. REQ'D.	PART NUMBER	DESCRIPTION
1	4	0400260	SCREW, 5/8" - 11 X 2" LG. HEX. HD. CAP, GR. 5 PL
2	1	0703220	PLATE, ACCESS HOLE COVER (FORMULA 1, WHEEL LIFT ONLY)
3	14	0400260	SCREW, 5/8" - 11 X 2" LG. HEX. HD. CAP
4	14	0400421	NUT, 5/8" - 11 NYLON LOCK
5	2	0301390	STOP & TURN LAMP
6	1	0702009	RIGHT MUD FLAP MTG. ANGLE (OPT)
7	1	0700160	BRACKET, RIGHT REAR CLEARANCE LIGHT
8	2	0400132	SCREW, 3/8" - 16 X 1 1/2" LG. HEX. HD. CAP
9	4	0300427	MARKER LIGHT, RED
10	1	0700159	LT. CLEAR LIGHT BRACKET
11	8	0400201	SCREW, 1/2" - 13 X 1 1/2" LG. CARRIAGE BOLT
12	1	0702752	TAILGATE BOLTING ANGLE, R.H.
13	1	0702751	TAILGATE BOLTING ANGLE, L.H.
14	4	0400188	SCREW, 1/2" - 13 X 2" LG. HEX. HD. CAP, GR. 5
15	12	0400408	NUT, 1/2" - 13 NYLON LOCK
16	1	0702008	LEFT MUD FLAP MTG. ANGLE (OPT.)
17	2	0301447	MUD FLAP (OPT.)
18	2	0700554	MUD FLAP BAR (OPT.)
19	8	0400133	SCREW, 3/8" - 16 X 1 1/4" LG. HEX. HD. CAP
20	12	0400392	NUT, 3/8" - 16 NYLON LOCK
21	4	0400126	SCREW, 3/8" - 16 X 1" LG. HEX. HD. CAP
22	2	0704516	GUARD, CONTROL STATION
23	2	0301416	SPRING, STOW BRKT.
24	4	0400063	SCREW, 1/4" - 20 X 1 1/2" LG. HEX. HD. CAP
25	6	0301742	LAMP, AMBER SEALED
26	6	0400370	CLIP, 1/4" TINNERMAN
27	1	0900486	10" OFFSET TOOL BOX (L.H. STD./R.H. OPT.)
28	16	0400567	RIVET, 1/8" DIA. X 1/4" GRIP POP
29	4	0800649	SPRING SPACER, FORD
30	4	0800650	SPRING SPACER, CHEVY/GMC
31	2	0301741	LAMP, RED SEALED
32	1	0801640	BODY WELDMENT

Section VI - PARTS

FORMULA 6000 WHEEL LIFT ASSEMBLY



Section VI - PARTS

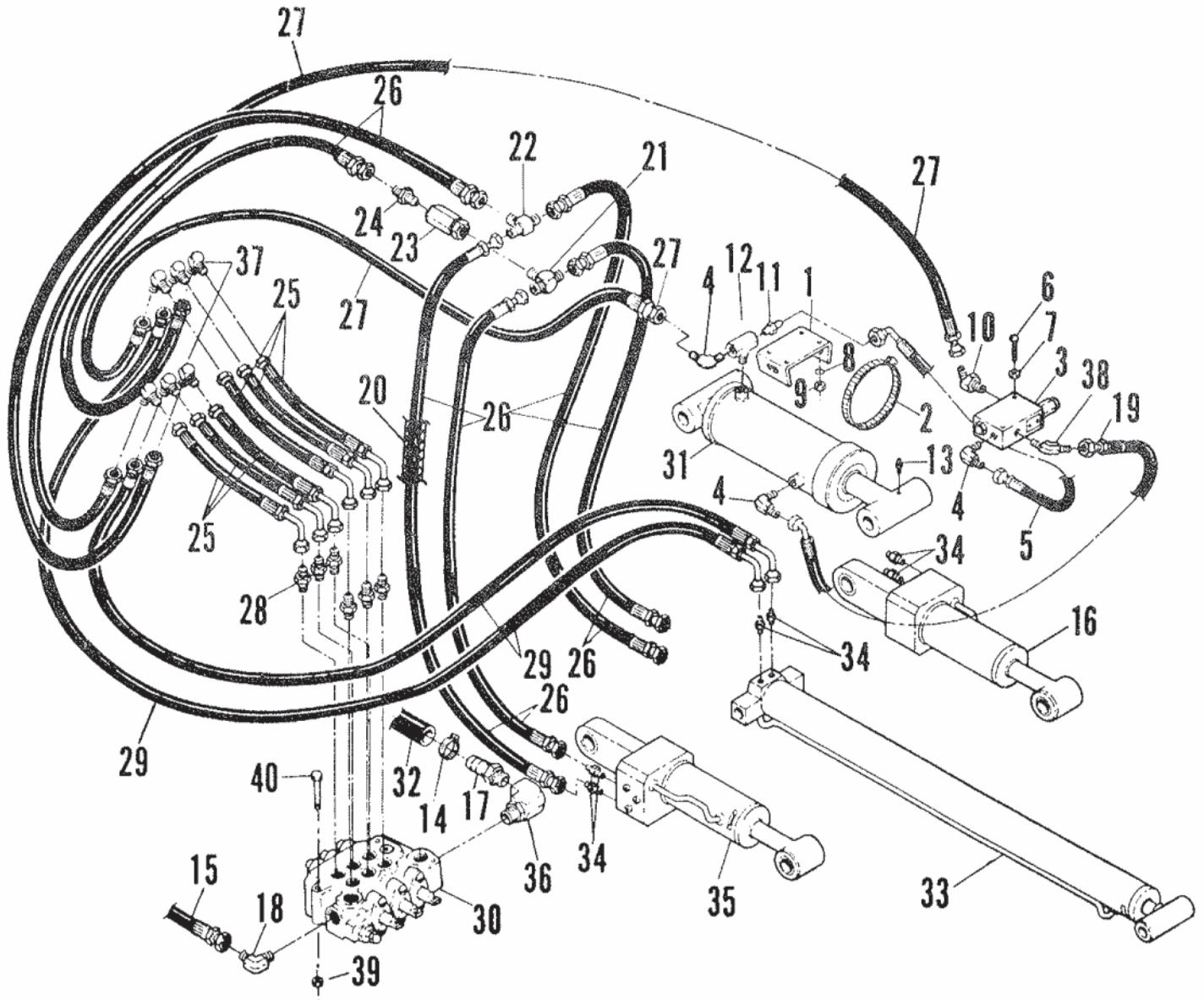
FORMULA 6000 WHEEL LIFT ASSEMBLY

REF. NO.	NO. REQ'D.	PART NUMBER	DESCRIPTION
1	1	0801006	FRAME WELDMENT
2	1	0801687	OUTER BOOM WELDMENT
3	2	0900883	UPPER ARM ASS'Y - INCLUDES ITEMS 25 & 26
4	1	0702681	SPACER
5	1	0301197	SPRING, DETENT
6	1	0801009	UPPER SHAFT WELDMENT, BOOM
7	13	0300113	GREASE FTG., 1/4" - 28 STR.
8	8	0400141	SCREW, 3/8" - 16 X 7/8" LG. GR. 5 PL. CAP
9	2	0801010	LOWER SHAFT WELDMENT, BOOM
10	4	0703422	HOSE GUARD
11	1	0801012	SHAFT, LIFT CYLINDER
12	4	0801011	SHAFT WELDMENT, ARM
13	1	0301398	BALL, DETENT
14	6	0301845	BUSHING
15	1	0801877	CROSSBAR PIN
16	2	0701956	CAP SCREW HEX HD.
17	2	0301850	SLIDE PAD, NYLATRON
18	10	0400390	JAM LOCK NUT, 3/8" - 16 NC HEX., PL.
19	1	0801685	INNER BOOM WELDMENT
20	2	0703747	THRUST WASHER
21	1	0702131	SHAFT, CYLINDER
22	1	0400139	SET SCREW, 3/8" - 16 NC X 1-1/2" LG. ALLEN HD.
23	1	0400392	LOCKNUT, 3/8" - 16 NC NYLOK, PL.
24	1	0302248	BUSHING
25	1	0703345	SHAFT, EXTEND CYLINDER
26	1	0801879	CROSS TUBE, INNER WELDMENT
27	1	0400129	SET SCREW, 3/8" - 16 NC X 3/4" CUP POINT ALLEN HD.
28	2	0301601	CLAMP
*29	—	0701941	WHEEL LIFT MTG. SPACER
30	1	0400060	SCREW, 1/4" - 20 NC X 1/2" LG. GR. 5 PL. CAP

* Used as needed in centering Wheel Lift (Left-to-Right)

Section VI - PARTS

FORMULA 6000 WHEEL LIFT HYDRAULICS

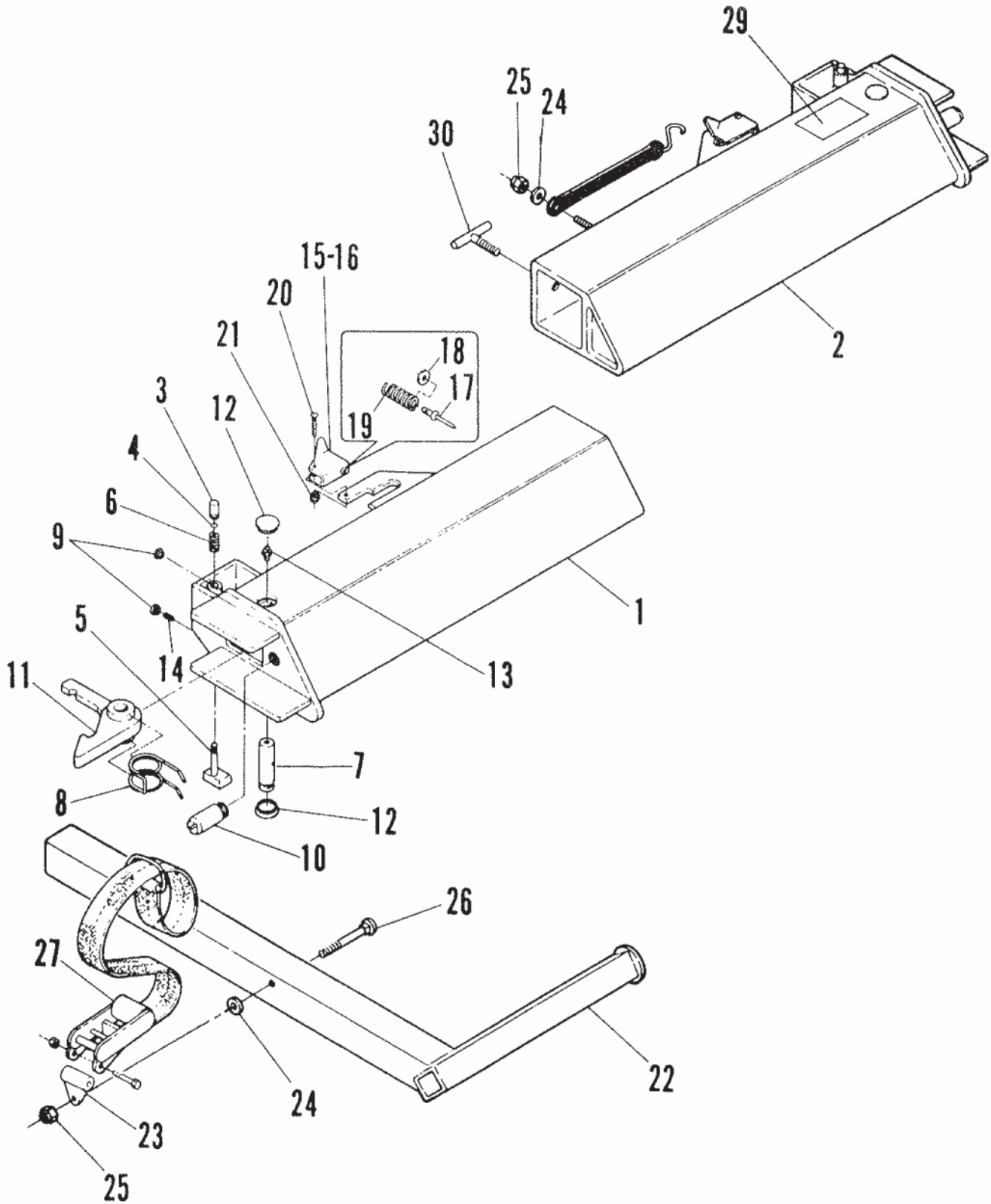


Section VI - PARTS

FORMULA 6000 WHEEL LIFT HYDRAULICS

REF. NO.	NO. REQ'D.	PART NUMBER	DESCRIPTION
1	1	0703001	BRACKET, CHECK VALVE MOUNTING
2	1	0300133	CLAMP, BRACKET
3	1	0301731	HOLDING VALVE
4	3	0300142	ELBOW, 1/4" NPT X 3/8" J.I.C. 90°
5	1	0301473	HOSE, LIFT CYLINDER (18" LG.)
6	2	0400064	SCREW, 1/4" - 20 NC X 2 1/4" LG. RD. HD. PL.
7	2	0400451	FLAT WASHER, 1/4" PL.
8	2	0400452	LOCKWASHER, 1/4" PL.
9	2	0400366	NUT, 1/4" - 20 NC HEX. PL.
10	1	0301848	ELBOW, 3/8" J.I.C. X 3/8" NPT, 45°
11	1	0301424	CONNECTOR, 1/4" NPT X 3/8" J.I.C. STR.
12	1	0301868	TEE, 1/4" FEM. NPT X 1/4" FEM. NPT X 1/4" MALE NPT
13	2	0300113	GREASE FTG., 1/4" - 28 STR.
14	2	0300071	HOSE CLAMP, 1"
15	1	0300165	HOSE ASSEMBLY
16	1	0301824	TILT CYLINDER, L.H.
17	1	0300055	HOSE BARB, 3/4" NPT
18	1	0300052	ELBOW, 1/2" J.I.C. X 5/8" SAE O-RING STR. 90°
19	1	0301900	HOSE ASSEMBLY 5000 PSI
20	4	0301580	SKUFF JACKET
21	1	0301855	TEE
22	1	0301377	TEE
23	1	0301854	RESTRICTOR VALVE
24	1	0301425	CONNECTOR
25	6	0301908	HOSE ASSEMBLY
26	6	0301902	HOSE ASSEMBLY
27	2	0301402	HOSE ASSEMBLY
28	6	0300044	CONNECTOR
29	2	0301485	HOSE ASSEMBLY
30	1	0300010	3-SPOOL VALVE
31	1	0301484	CYLINDER, LIFT
32	1	0300057	RETURN HOSE, 3/4 I.D. X 47" LG.
33	1	0301825	CYLINDER, EXTEND
34	6	0301522	CONNECTOR, 3/8" SAE "O" RING X 3/8" J.I.C.M
35	1	0301823	CYLINDER, TILT, R.H.
36	1	0301375	ELBOW, 3/4" SAE X 3/4" NPT, 90°
37	6	0301413	ELBOW, 3/8" UIC M (BOTH ENDS)
38	1	0300209	ELBOW, 3/8" JIC X 3/8" NPT, 90°
39	7	0400392	3/8" - 16 NC HEX. NUT, NYLOK PL.
40	3	0400140	SCREW, 3/8" - 16 NC X 4" GR. 5 CAP

Section VI - PARTS
OUTER CROSS TUBE & SNAP-IN TIRE RESTRAINT
FORMULA 6000

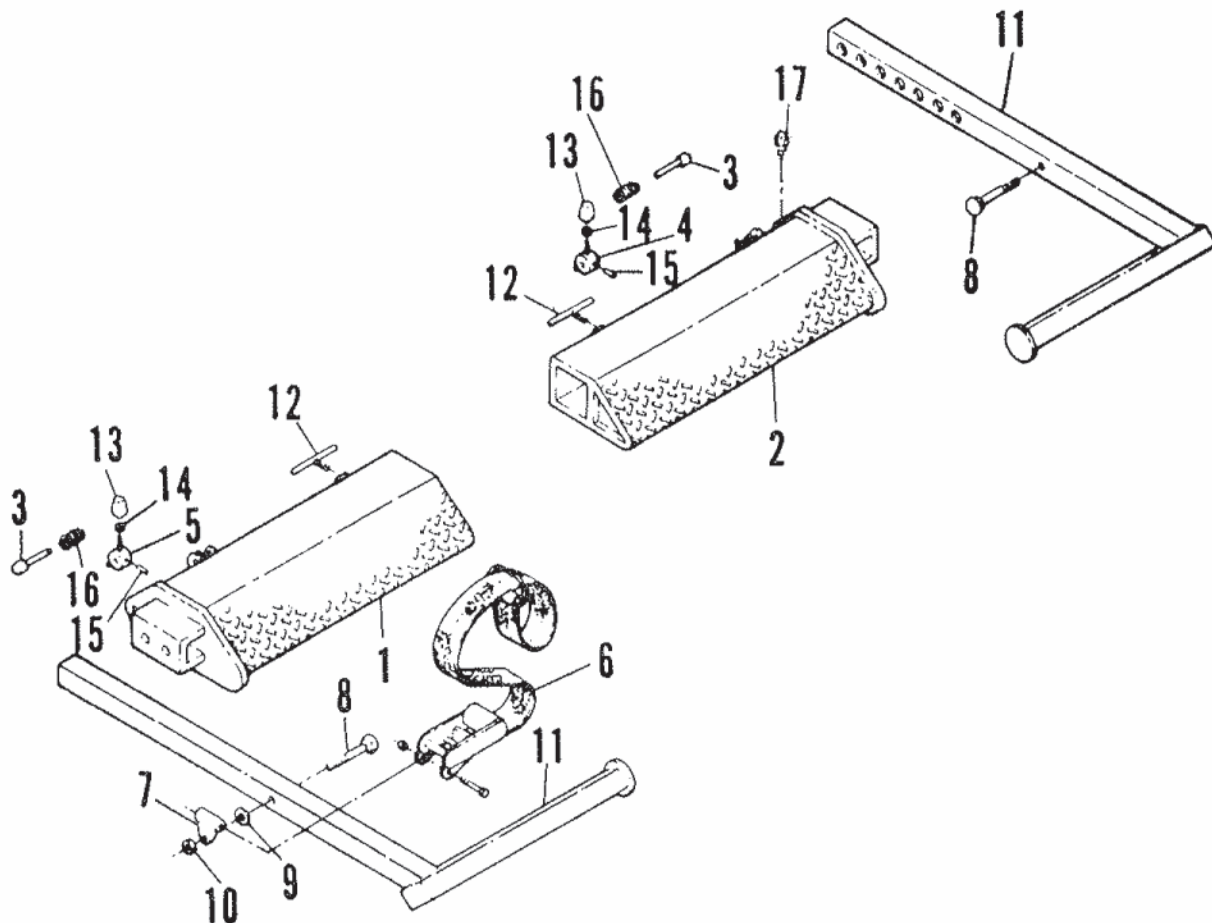


Section VI - PARTS
OUTER CROSS TUBE & SNAP-IN TIRE RESTRAINT
FORMULA 6000

REF. NO.	NO. REQ'D.	PART NUMBER	DESCRIPTION
1	1	0801736	CROSSTUBE, L.H. OUTER
2	1	0801737	CROSSTUBE, R.H. OUTER
3	2	0704992	BUTTON, PLUNGER
4	2	0302153	"O"- RING, LATCH BUTTON
5	2	0801474	LOCK, LATCH
6	2	0302154	PLUNGER, SPRING
7	2	0704991	PIN, LATCH
8	2	0302156	SPRING, LATCH TORSION
9	4	0302152	PLUG, 1/2" HOLE
10	2	0704993	PIN, GUIDE
11	2	0200004	LATCH, RETAINING
12	4	0901201	PLUG, 1 1/4" HOLE
13	2	0300113	FITTING, GREASE
14	2	0400036	SCREW, 1/4 - 20 X 5/16" LG. SOCKET SET
15	2	0901203	HOOK LATCH ASS'Y (INCLUDES ITEMS 16-21)
16	2	0704994	LATCH, CHAIN HOOK
17	2	0400576	RIVET, POP
18	2	0400519	WASHER, FLAT
19	2	0302155	SPRING, CHAIN HOOK LATCH
20	2	0400036	SCREW, #10 - 32 X 1" LG. RD. HD. SLOTTED MACH. PL.
21	2	0400357	NUT, #10 - 32 NYLON LOCK PL.
22	2	0801472	RESTRAINT, TIRE
23	2	0800583	PIVOT, TIE DOWN
24	2	0400480	WASHER, 3/8" FLAT PL.
25	2	0400390	NUT, 3/8" - 16 ESLOK JAM
26	2	0400161	BOLT, 3/8" - 16 X 2 3/4" LG. GR. 8 PL. CARRIAGE
27	2	0301399	STRAP, TIE DOWN W/RATCHET
28	3	0500241	DECAL, SAFETY CHAIN WARNING
29	2	0500397	DECAL, SNAP (LATCH WARNING)
30	2	0800590	TEE HANDLE

Section VI - PARTS

OUTER CROSS TUBE & SLIDE-IN TIRE RESTRAINT ASS'Y FORMULA 6000

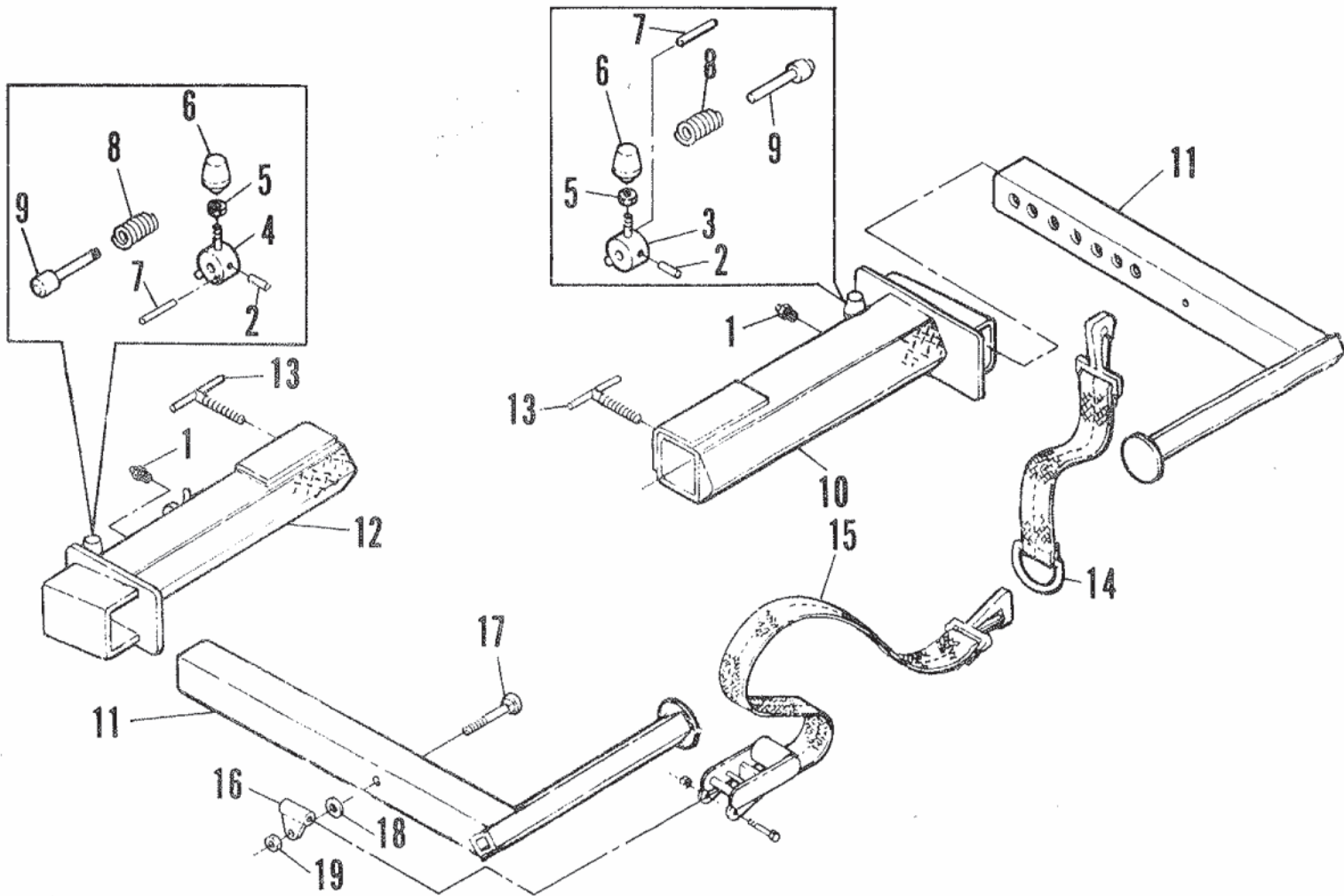


REF. NO.	NO. REQ'D.	PART NUMBER	DESCRIPTION
1	1	0801734	CROSS TUBE, LEFT OUTER
2	1	0801735	CROSS TUBE, RIGHT OUTER
3	2	0701916	PIN, PLUNGER
4	1	0800837	HANDLE, LEFT PLUNGER
5	1	0800838	HANDLE, RIGHT PLUNGER
6	2	0301399	RATCHET, TIE DOWN (INCLUDES SCREW & NUT)
7	2	0800583	PIVOT, TIE DOWN
8	2	0400161	BOLT, 3/8" - 16 X 2-3/4" CARRIAGE GR. 5 PL
9	2	0400480	WASHER, 3/8" FLAT PL.
10	2	0400390	NUT, 3/8" - 16 JAM LOCK HEX PL.
11	2	0800897	RESTRAINT, TIRE
12	2	0800590	HANDLE, TEE
13	2	0300341	KNOB
14	2	0400393	NUT, 3/8" - 16 JAM
15	2	0400560	PIN, 5/32" X 1" LG. ROLL
16	2	0301416	SPRING, PLUNGER
17	2	0300113	GREASE FITTING, STRAIGHT

Section VI - PARTS

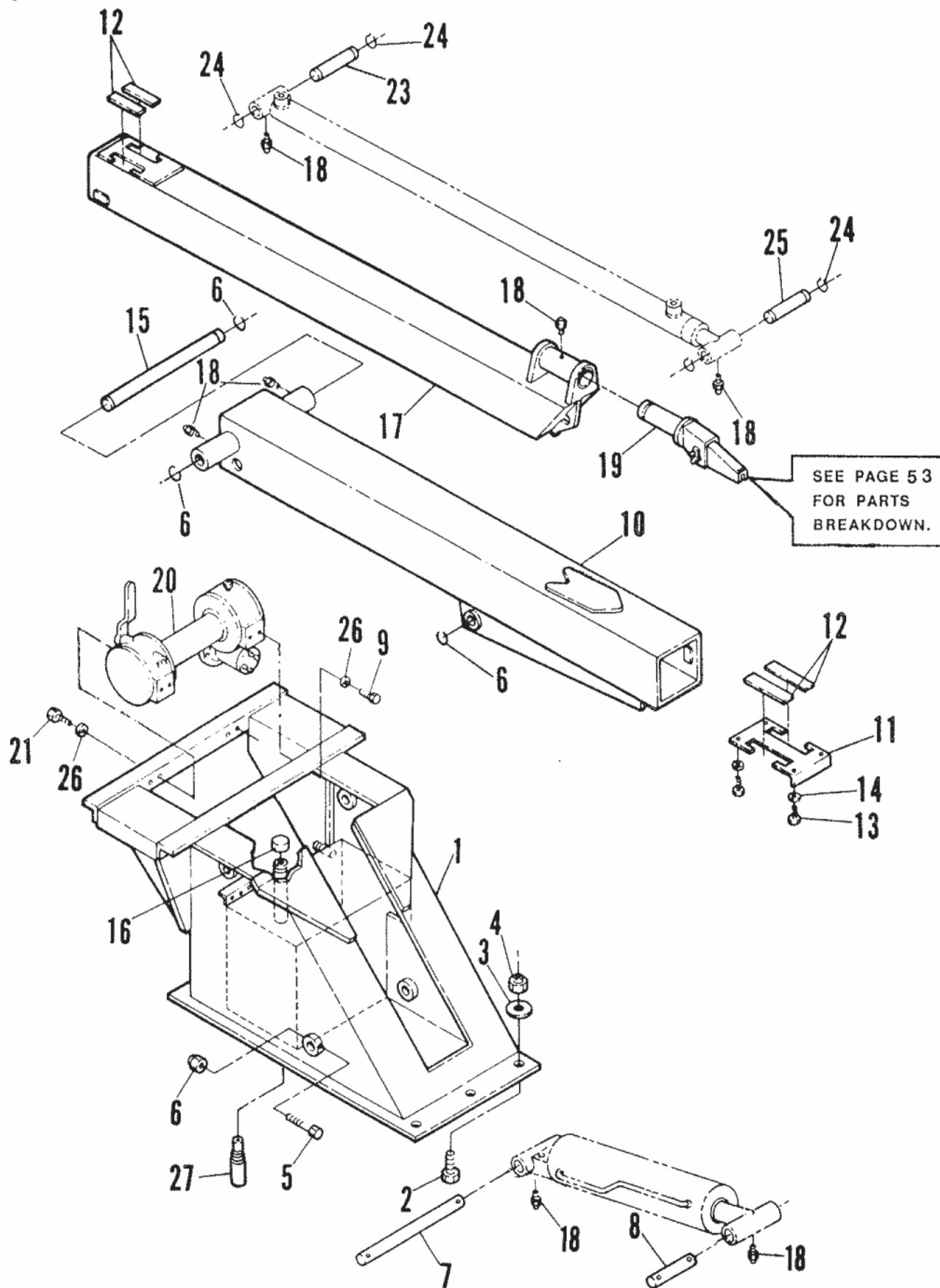
OUTER CROSS TUBE & SLIDE-IN TIRE RESTRAINT ASS'Y

FORMULA 6000 HEAVY DUTY



REF. NO.	NO. REQ'D.	PART NUMBER	DESCRIPTION
1	2	0300113	GREASE FITTING (STR.)
2	2	0400560	ROLL PIN
3	1	0800838	RIGHT PLUNGER HANDLE
4	1	0800837	LEFT PLUNGER HANDLE
5	2	0400393	JAM NUT
6	2	0300341	KNOB
7	2	0400559	ROLL PIN
8	2	0301417	PLUNGER SPRING
9	2	0701916	PLUNGER
10	1	0800902	CROSSTUBE, R.H. - OUTER
11	2	0800841	TIRE RESTRAINT
12	1	0800903	CROSSTUBE, L.H. - OUTER
13	2	0800590	"T" HANDLE
14	2	0301681	BELT EXTENSION
15	2	0301682	RATCHET ASS'Y
16	2	0800839	PIVOT BRACKET
17	2	0400269	CARRIAGE BOLT
18	2	0400505	5/8" FLATWASHER
19	2	0400421	5/8" LOCKNUT

Section VI - PARTS 601 - WRECKER

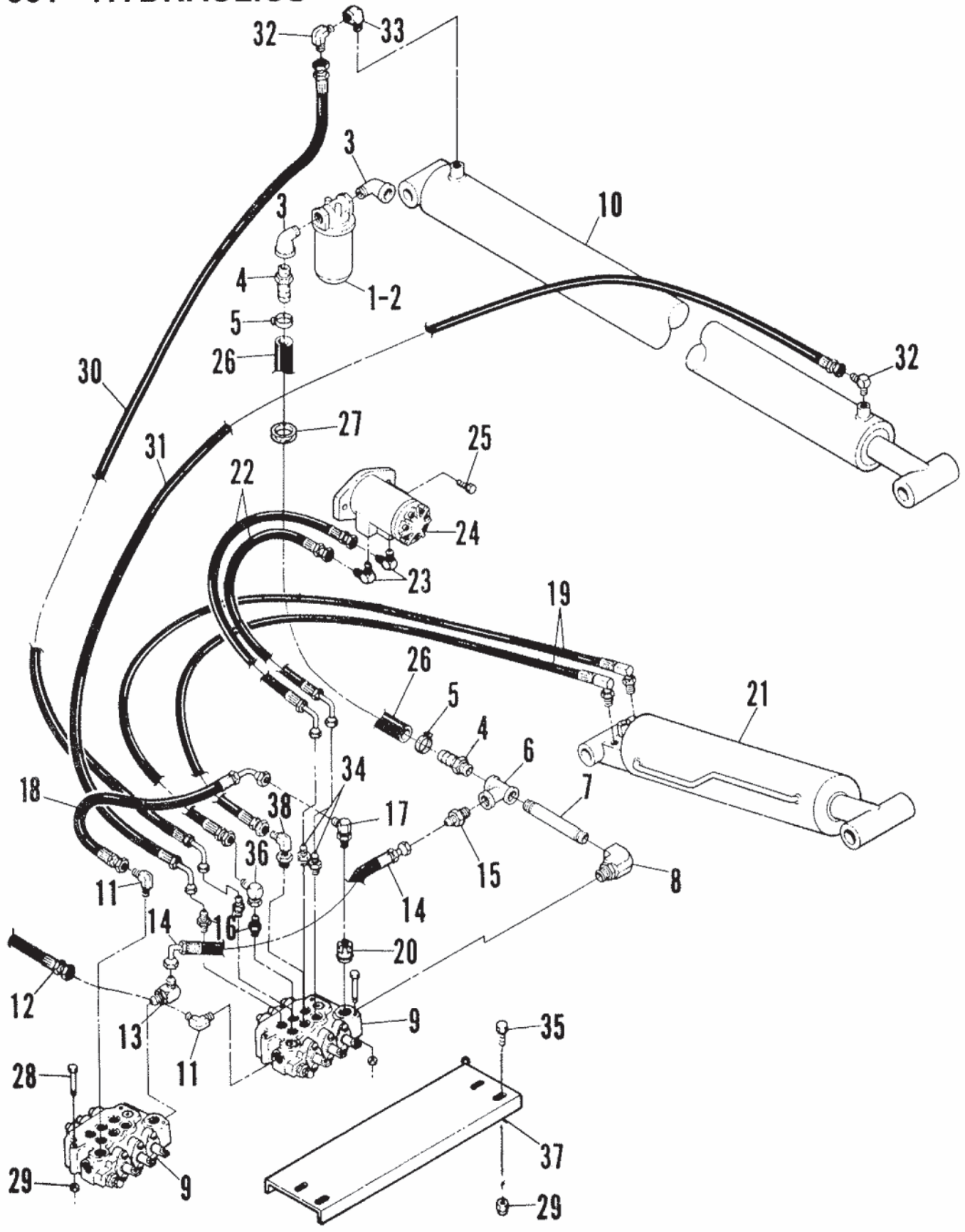


Section VI - PARTS

601 - WRECKER

REF. NO.	NO. REQ'D.	PART NUMBER	DESCRIPTION
1	1	0800948	WRECKER FRAME WELDMENT, SINGLE
2	9	0400260	SCREW, 5/8" - 11 X 2" LG. HEX. HD. CAP, GR. 5
3	9	0400506	WASHER, 5/8" FLAT
4	9	0400421	NUT, 5/8" - 11 NYLON LOCK
5	1	0703094	SUCTION NIPPLE, 3/4" DIA. X 4 1/2" LG.
6	6	0300109	SNAP RING
7	1	0704746	SHAFT, LOWER LIFT CYLINDER
8	1	0704745	SHAFT, UPPER LIFT CYLINDER
9	1	0400121	SCREW, 3/8" - 16 NC X 3/4" LG. HEX. HD. CAP
10	1	0801304	OUTER BOOM WELDMENT
11	1	0703093	RETAINER, SLIDE PAD
12	4	0300679	SLIDE PAD, NYLATRON
13	4	0400060	SCREW, 1/4" - 20 X 1/2" LG. HEX. HD. CAP, GR. 2
14	4	0400452	WASHER, 1/4" LOCK
15	1	0704747	BOOM PIVOT SHAFT
16	1	0801510	FILLER PIPE CAP W/DIP STICK
17	1	0800941	INNER BOOM WELDMENT
18	6	0300113	GREASE FITTING, STR.
19	1	0900007	BOOM END SWIVEL ASS'Y.
20	1	0300251	WINCH
21	6	0400122	SCREW, 3/8" - 16 NC X 1 1/4" LG. HEX. HD. CAP
22	8	0400482	WASHER, 3/8" LOCK
23	1	0703137	SHAFT, EXT. CYL. BASE END
24	4	0300110	SNAP RING
25	1	0703082	SHAFT, EXT. CYL. ROD END
26	8	0400482	WASHER, 3/8" LOCK
27	1	0703094	SUCTION NIPPLE

Section VI - PARTS 601 - HYDRAULICS

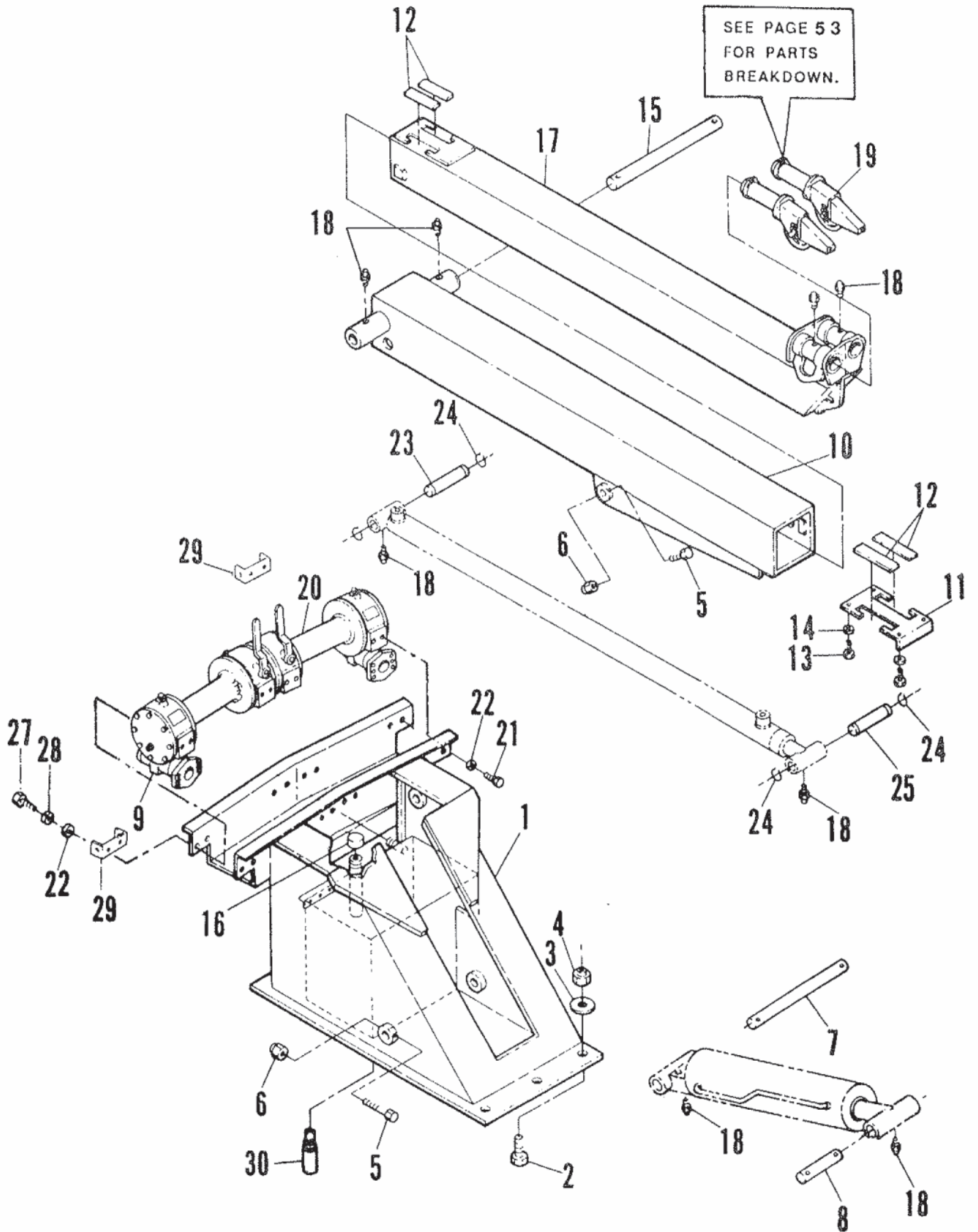


Section VI - PARTS

601 - HYDRAULICS

REF. NO.	NO. REQ'D.	PART NUMBER	DESCRIPTION
1	1	0300136	OIL FILTER ASS'Y
2	1	0300135	FILTER REPLACEMENT CARTRIDGE
3	2	0300288	STREET ELBOW, 3/4" NPT
4	2	0300055	HOSE BARB, 3/4" HOSE - 3/4" NPT
5	2	0300071	HOSE CLAMP, 1"
6	1	0301387	TEE, 3/4" FEM, NPT
7	1	0301899	NIPPLE, 3/4" X 5" LG. NPT
8	1	0301375	ELBOW, 3/4" SAE MALE X 3/4" NPT FEM 90°
9	1	0300011	VALVE, 4 SPOOL
10	4	0300041	CONNECTOR, 1/2" SAE "O" RING X 1/2" J.I.C.
11	2	0300052	ELBOW, 5/8" SAE MALE X 1/2" J.I.C. MALE 90°
12	1	0300165	HIGH PRESSURE HOSE
13	1	0300814	ELBOW, 3/4" SAE X 1/2" J.I.C. MALE 90°
14	1	0301790	HOSE, 1/2" J.I.C. X 1/2" J.I.C. 90° X 17" LG.
15	1	0301881	CONNECTOR, 3/4" NPT MALE 1/2" J.I.C MALE STR.
16	4	0300044	CONNECTOR, 1/2" SAE "O" RING X 3/8" J.I.C. M
17	1	0301388	ELBOW, 1/2" SAE "O" RING M X 1/2" J.I.C. M 90°
18	1	0301471	HOSE, 1/2" J.I.C. X 1/2" J.I.C. 90° X 30" LG.
19	2	0301902	HOSE, LIFT CYLINDER
20	1	0300286	ADAPTOR, H.P.C.O.
21	1	0301756	BOOM LIFT CYLINDER
22	2	0301207	HOSE, WINCH MOTOR
23	4	0300229	ELBOW, 1/2"
24	2	0300090	MOTOR, HYDRAULIC
25	4	0400177	SCREW, 1/2" - 13 X 1 1/4" LG. HEX. HD. CAP. GR. 5
26	1	0300057	RETURN HOSE, 3/4" I.D. X 47" LG.
27	1	0300124	GROMMET, SPLIT
28	6	0400140	SCREW, 3/8" - 16 X 4" LG. HEX. HD. CAP. GR. 5
29	6	0400392	NUT, 3/8" - 16 NYLON LOCK
30	1	0301964	HOSE, 3/8" J.I.C. X 3/8" J.I.C. 90° X 62" LG.
31	1	0301965	HOSE, 3/8" J.I.C. X 3/8" J.I.C. 90° X 128" LG.
32	3	0300142	ELBOW, 1/4" NPT MALE X 3/8" J.I.C. 90°
33	2	0300147	STREET ELBOW, 1/4" NPT FEM. X 1/4" NPT MALE
34	2	0300041	CONNECTOR, 1/2" SAE "O" RING x 1/2" J.I.C.
35	4	0400126	SCREW, 3/8" - 16 NC X 1" GR. 5 CAP
36	1	0301696	ELBOW, 90°
37	1	0703896	VALVE MOUNTING CHANNEL
38	1	0301470	ELBOW, 1/2" SAE X 3/8" JIC 90°

Section VI - PARTS 602 - WRECKER

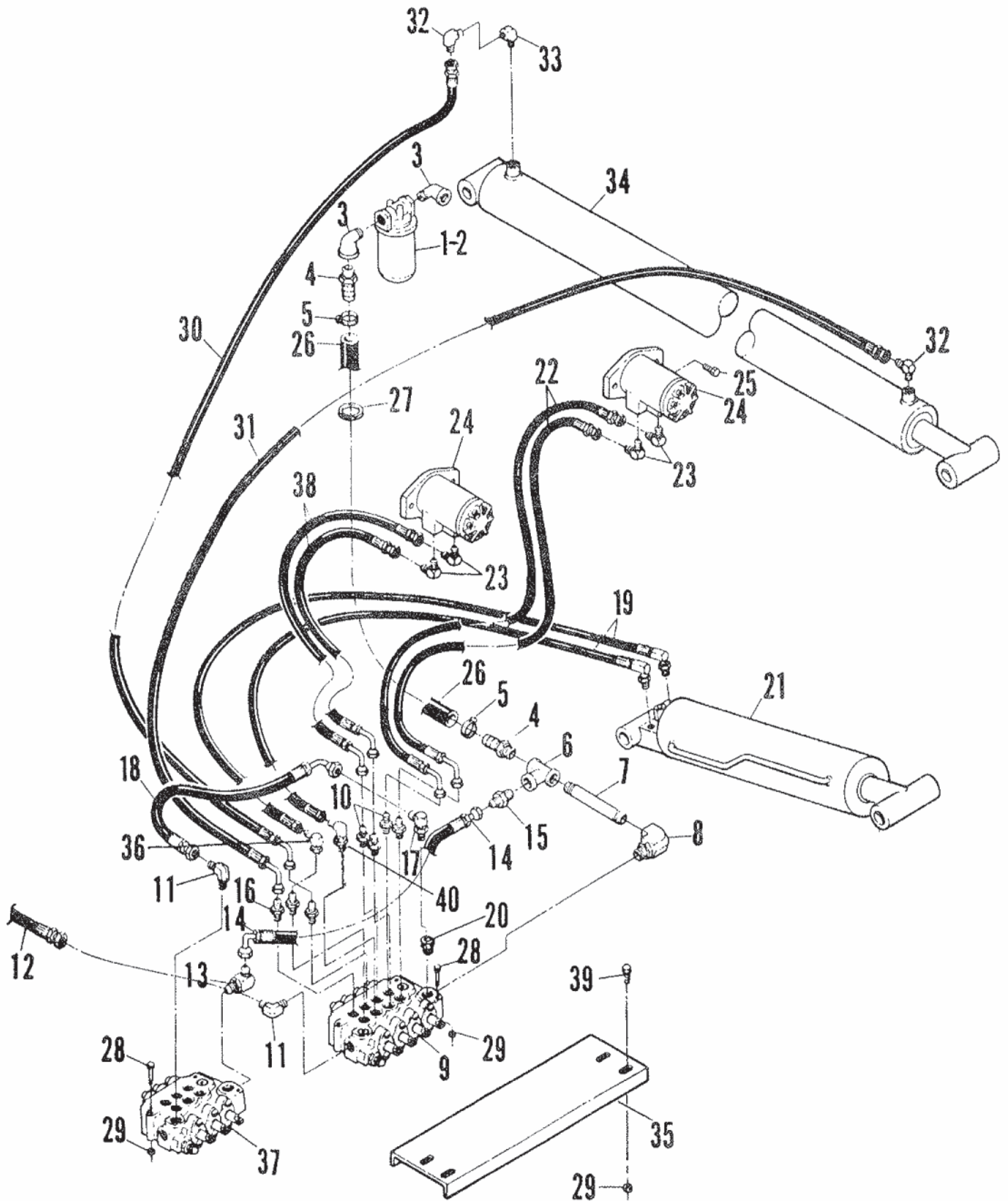


Section VI - PARTS

602 - WRECKER

REF. NO.	NO. REQ'D.	PART NUMBER	DESCRIPTION
1	1	0800947	WRECKER FRAME WELDMENT
2	9	0400260	SCREW, 5/8" - 11 X 2" LG. HEX. HD. CAP. GR. 5
3	9	0400506	WASHER, 5/8" FLAT
4	9	0400421	NUT, 5/8" - 11 NYLON LOCK
5	1	0703094	SUCTION NIPPLE, 3/4" DIA. X 4 1/2" LG.
6	6	0300109	SNAP RING
7	1	0704746	SHAFT, LOWER LIFT CYL.
8	1	0704745	SHAFT, UPPER LIFT CYL.
9	1	0300251	WINCH ASS'Y., LEFT
10	1	0801304	OUTER BOOM WELDMENT
11	1	0703093	RETAINER, SLIDE PAD
12	4	0300679	SLIDE PAD, NYLATRON
13	4	0400060	SCREW, 1/4" - 20 X 1/2" LG. HEX. HD. CAP. GR. 2
14	4	0400452	WASHER, 1/4" LOCK
15	1	0704747	BOOM PIVOT SHAFT
16	1	0801510	FILLER PIPE CAP W/DIP STICK
17	1	0800942	INNER BOOM WELDMENT
18	8	0300113	GREASE FITTING, STR.
19	2	0900007	BOOM END SWIVEL ASS'Y.
20	1	0300250	WINCH ASS'Y RIGHT REAR, ROUND SHAFT
21	2	0400121	SCREW, 3/8" - 16 NC X 3/4" LG. HEX. HD. CAP
22	16	0400482	WASHER, 3/8" LOCK
23	1	0703137	SHAFT, EXT. CYL. BASE END
24	4	0300110	SNAP RING
25	1	0703082	SHAFT, EXT. CYL. ROD END
26	12	0400122	SCREW, 3/8" - 16 NC X 1 1/4" LG. HEX. HD. CAP
27	2	0400150	SCREW, 3/8" - 16 NC X 2 1/2" LG. HEX. HD. CAP
28	2	0400393	JAM NUT, 3/8" - 16 NC HEX.
29	2	0702408	MOUNTING CHANNEL
30	1	0703094	SUCTION NIPPLE

Section VI - PARTS 602 - HYDRAULICS

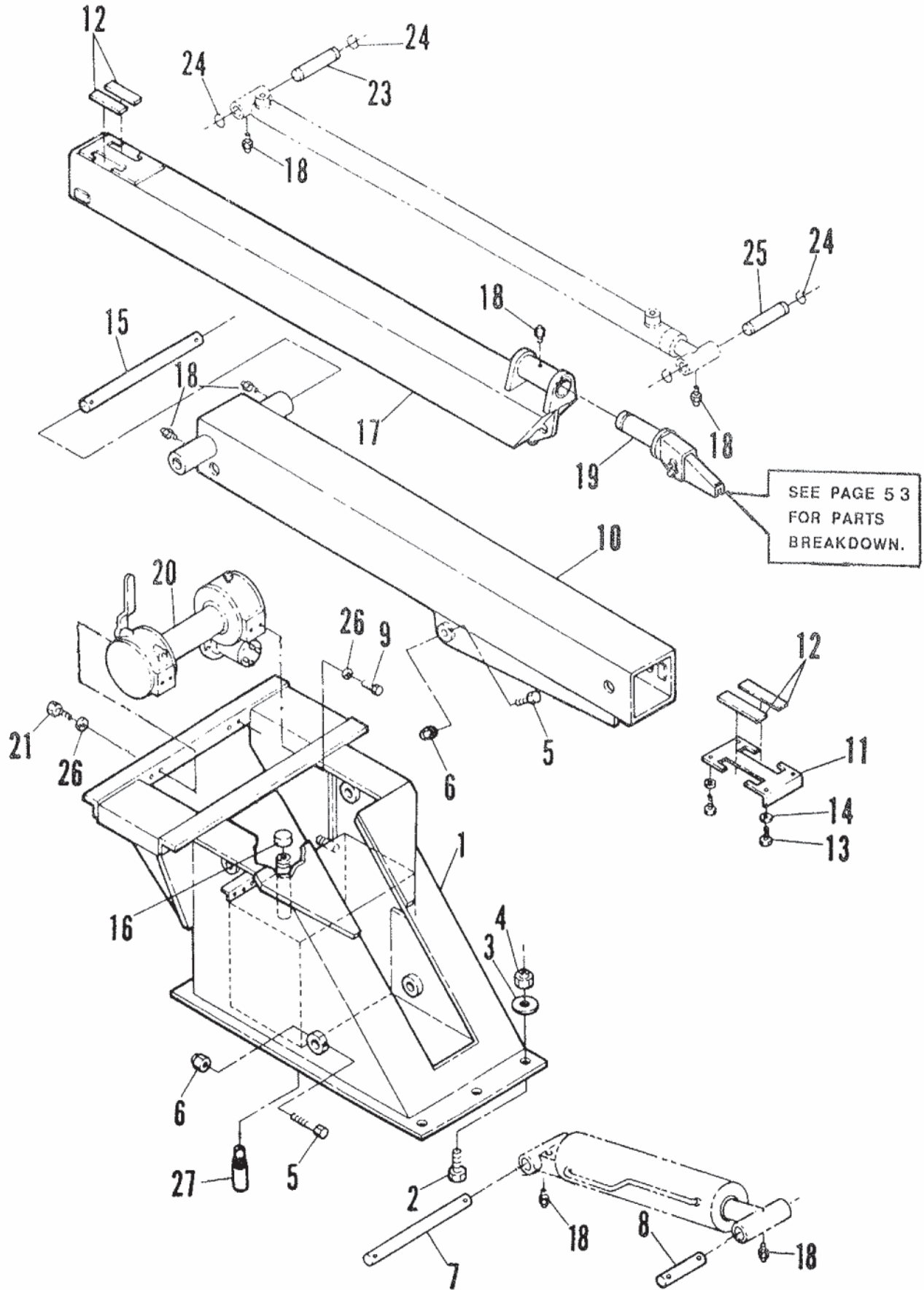


Section VI - PARTS

602 - HYDRAULICS

REF. NO.	NO. REQ'D.	PART NUMBER	DESCRIPTION
1	1	0300136	OIL FILTER ASS'Y
2	1	0300135	FILTER REPLACEMENT CARTRIDGE
3	2	0300288	STREET ELBOW, 3/4" NPT
4	2	0300055	HOSE BARB, 3/4" HOSE - 3/4" NPT
5	2	0300071	HOSE CLAMP, 1"
6	1	0301387	TEE, 3/4" FEM, NPT
7	1	0301899	NIPPLE, 3/4" X 5" LG. NPT
8	1	0301375	ELBOW, 3/4" SAE MALE X 3/4" NPT FEM 90°
9	1	0300011	VALVE, 4 SPOOL
10	4	0300041	CONNECTOR, 1/2" SAE "O" RING X 1/2" J.I.C.
11	2	0300052	ELBOW, 5/8" SAE MALE X 1/2" J.I.C. MALE 90°
12	1	0300165	HIGH PRESSURE HOSE
13	1	0300814	ELBOW, 3/4" SAE X 1/2" J.I.C. MALE 90°
14	1	0301790	HOSE, 1/2" J.I.C. X 1/2" J.I.C. 90° X 17" LG.
15	1	0301881	CONNECTOR, 3/4" NPT MALE 1/2" J.I.C. MALE STR.
16	4	0300044	CONNECTOR, 1/2" SAE "O" RING X 3/8" J.I.C. M
17	1	0301388	ELBOW, 1/2" SAE "O" RING M X 1/2" J.I.C. M 90°
18	1	0301471	HOSE, 1/2" J.I.C. X 1/2" J.I.C. 90° X 30" LG.
19	2	0301902	HOSE, LIFT CYLINDER
20	1	0300286	ADAPTOR, H.P.C.O.
21	1	0301756	BOOM LIFT CYLINDER
22	2	0301207	HOSE, WINCH MOTOR
23	4	0300229	ELBOW, 1/2"
24	2	0300090	MOTOR, HYDRAULIC
25	4	0400177	SCREW, 1/2" - 13 X 1 1/4" LG. HEX. HD. CAP. GR. 5
26	1	0300057	RETURN HOSE, 3/4" I.D. X 47" LG.
27	1	0300124	GROMMET, SPLIT
28	6	0400140	SCREW, 3/8" - 16 X 4" LG. HEX. HD. CAP. GR. 5
29	6	0400392	NUT, 3/8" - 16 NYLON LOCK
30	1	0301964	HOSE, 3/8" J.I.C. X 3/8" J.I.C. 90° X 62" LG.
31	1	0301965	HOSE, 3/8" J.I.C. X 3/8" J.I.C. 90° X 128" LG.
32	3	0300142	ELBOW, 1/4" NPT MALE X 3/8" J.I.C. 90°
33	2	0300147	STREET ELBOW, 1/4" NPT FEM. X 1/4" NPT MALE
34	1	0301755	BOOM EXTEND CYLINDER
35	1	0703896	VALVE MOUNTING CHANNEL
36	1	0301696	ELBOW, 3/8" J.I.C. (MALE) X 3/8" J.I.C. (FEMALE), 90°
37	1	0300010	VALVE, 3-SPOOL
38	2	0301893	WINCH MOTOR HOSE, L.H.
39	4	0400126	SCREW, 3/8" - 16 NC X 1" LG. GR. 5 PL. CAP
40	1	0301470	ELBOW, 1/2" SAE X 3/8" J.I.C. 90°

Section VI - PARTS 611 - WRECKER

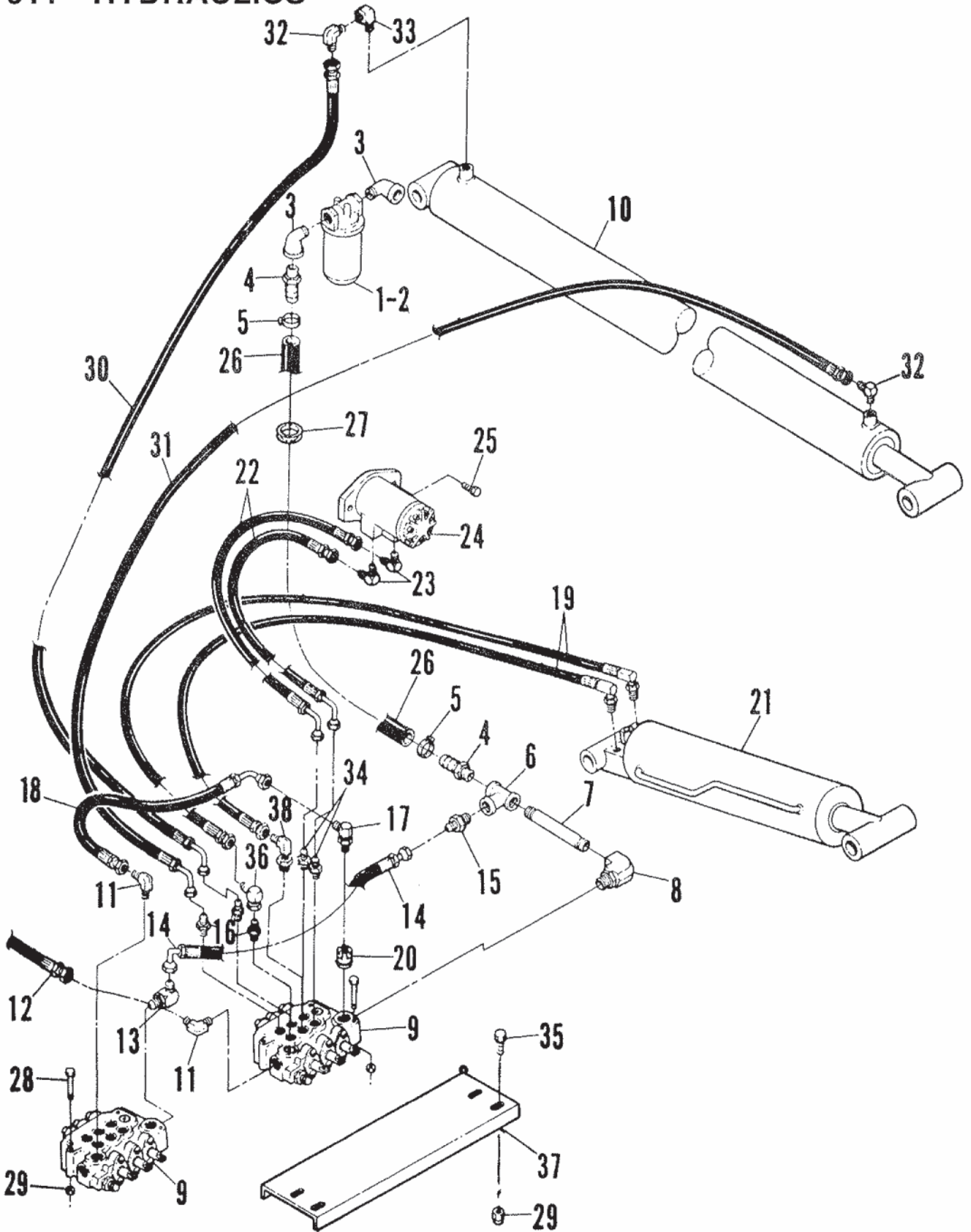


Section VI - PARTS

611 - WRECKER

REF. NO.	NO. REQ'D.	PART NUMBER	DESCRIPTION
1	1	0801742	WRECKER FRAME WELDMENT
2	9	0400260	SCREW, 5/8" - 11 X 2" LG. HEX. HD. CAP. GR. 5
3	9	0400506	WASHER, 5/8" FLAT
4	9	0400421	NUT, 5/8" - 11 NYLON LOCK
5	1	0703094	SUCTION NIPPLE, 3/4" DIA. X 4 1/2" LG.
6	6	0300109	SNAP RING
7	1	0704746	SHAFT, LOWER LIFT CYL.
8	1	0704745	SHAFT, UPPER LIFT CYL.
9	1	0300251	WINCH ASS'Y., LEFT
10	1	0801304	OUTER BOOM WELDMENT
11	1	0703093	RETAINER, SLIDE PAD
12	4	0300679	SLIDE PAD, NYLATRON
13	4	0400060	SCREW, 1/4" - 20 X 1/2" LG. HEX. HD. CAP. GR. 2
14	4	0400452	WASHER, 1/4" LOCK
15	1	0704747	BOOM PIVOT SHAFT
16	1	0801510	FILLER PIPE CAP W/DIPSTICK
17	1	0800941	INNER BOOM WELDMENT
18	8	0300113	GREASE FITTING, STR.
19	2	0900007	BOOM END SWIVEL ASS'Y.
20	1	0302279	WINCH
21	2	0400121	SCREW, 3/8" - 16 NC X 3/4" LG. HEX. HD. CAP
22	16	0400482	WASHER, 3/8" LOCK
23	1	0703137	SHAFT, EXT. CYL. BASE END
24	4	0300110	SNAP RING
25	1	0703082	SHAFT, EXT. CYL. ROD END
26	8	0400482	WASHER, 3/8" LOCK
27	1	0703094	SUCTION NIPPLE

Section VI - PARTS
611 - HYDRAULICS

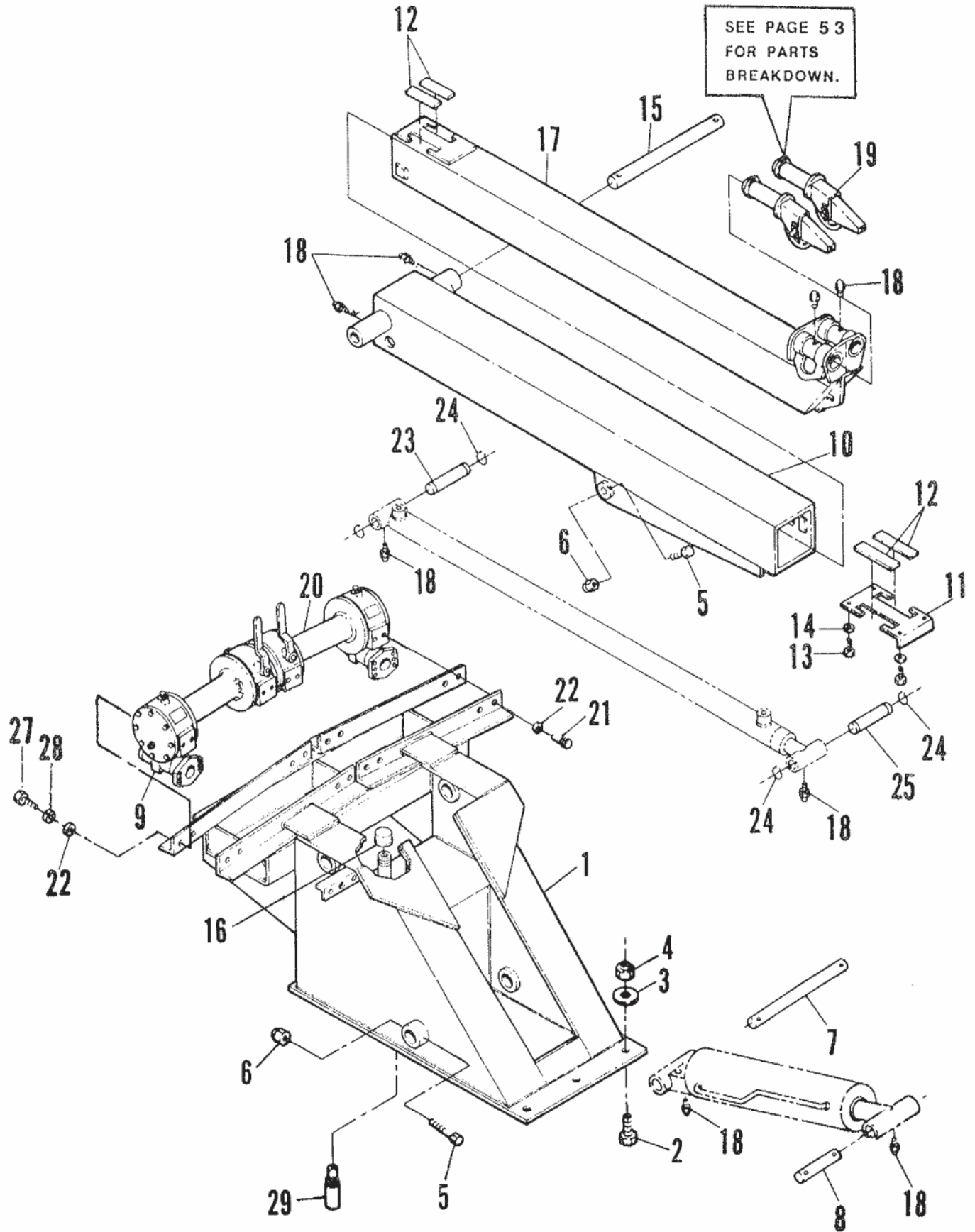


Section VI - PARTS

611 - HYDRAULICS

REF. NO.	NO. REQ'D.	PART NUMBER	DESCRIPTION
1	1	0300136	OIL FILTER ASS'Y.
2	1	0300135	FILTER REPLACEMENT CARTRIDGE
3	2	0300288	STREET ELBOW, 3/4" NPT
4	2	0300055	HOSE BARB, 3/4" HOSE - 3/4" NPT
5	2	0300071	HOSE CLAMP, 1"
6	1	0301387	TEE, 3/4" FEM. NPT
7	1	0301899	NIPPLE, 3/4" X 5" LG. NPT
8	1	0301375	ELBOW, 3/4" SAE MALE X 3/4" NPT. FEM. 90°
9	2	0300010	VALVE, 3 SPOOL
10	1	0301755	BOOM EXTEND CYL.
11	2	0300052	ELBOW, 5/8" SAE MALE X 1/2" J.I.C. MALE 90°
12	1	0300165	HIGH PRESSURE HOSE
13	1	0300814	ELBOW, 3/4" SAE X 1/2" J.I.C. MALE 90°
14	1	0301790	HOSE, 1/2" J.I.C. X 1/2" J.I.C. 90° X 17" LG.
15	1	0301881	CONNECTOR, 3/4" NPT MALE X 1/2" J.I.C. MALE STR.
16	3	0300044	CONNECTOR, 1/2" SAE "O" RING M X 3/8" J.I.C. M
17	1	0301388	ELBOW, 1/2" SAE "O" RING M X 1/2" J.I.C. M 90°
18	1	0301471	HOSE, 1/2" J.I.C. X 1/2" J.I.C. 90° X 30" LG.
19	2	0301902	HOSE, LIFT CYL.
20	1	0300286	ADAPTOR, H.P.C.O.
21	1	0301756	BOOM LIFT CYL.
22	2	0301207	HOSE, WINCH MOTOR
23	2	0300229	ELBOW
24	1	0302148	MOTOR, HYDRAULIC
25	2	0400196	SCREW, 1/2" - 13 X 1 1/4" LG. SOCKET HD.
26	1	0300057	RETURN HOSE, 3/4" I.D. X 47" LG.
27	1	0300124	GROMMET, SPLIT
28	6	0400140	SCREW, 3/8" - 16 X 4" LG. HEX. HD. CAP, GR. 5
29	6	0400392	NUT, 3/8" - 16 NYLON LOCK
30	1	0301964	HOSE, 3/8" J.I.C. X 3/8" J.I.C. 90° X 62" LG.
31	1	0301965	HOSE, 3/8" J.I.C. X 3/8" J.I.C. 90° X 128" LG.
32	4	0300142	ELBOW, 1/4" NPT MALE X 3/8" J.I.C. MALE 90°
33	2	0300147	STREET ELBOW, 1/4" NPT FEM. X 1/4" NPT. MALE
34	2	0300041	CONNECTOR, 1/2" SAE "O" RING X 1/2" J.I.C.
35	4	0400126	SCREW, 3/8" - 16 NC X 1" GR. 5 CAP
36	1	0301696	ELBOW, 90°
37	1	0703896	VALVE MOUNTING CHANNEL
38	1	0301470	ELBOW, 1/2" SAE X 3/8" JIC 90°

Section VI - PARTS 612 - WRECKER

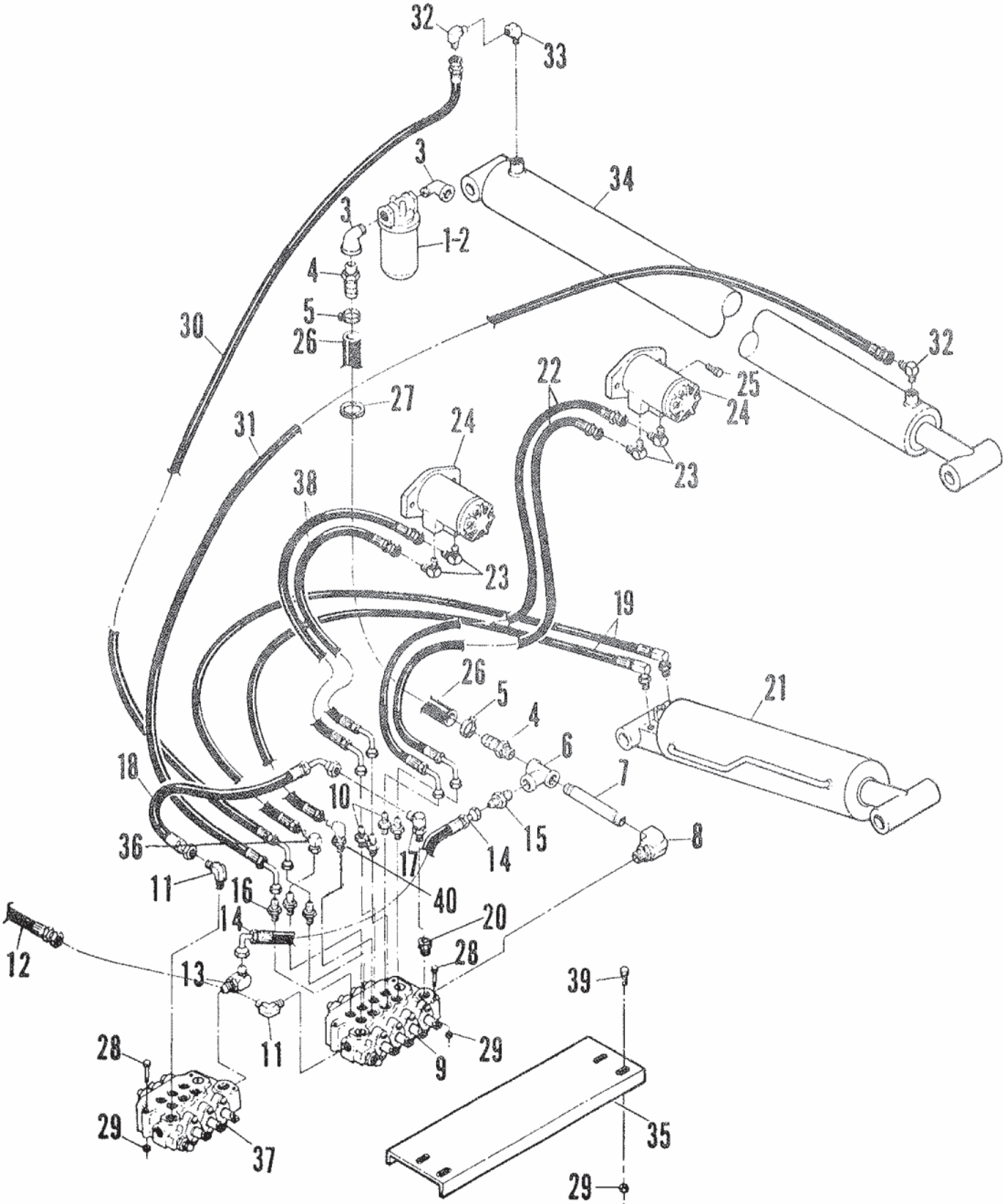


Section VI - PARTS

612 - WRECKER

REF. NO.	NO. REQ'D.	PART NUMBER	DESCRIPTION
1	1	0801743	WRECKER FRAME WELDMENT
2	9	0400260	SCREW, 5/8" - 11 X 2" LG. HEX. HD. CAP. GR. 5
3	9	0400506	WASHER, 5/8" FLAT
4	9	0400421	NUT, 5/8" - 11 NYLON LOCK
5	3	0400133	SCREW, 3/8" - 16 X 3" LG. HEX. HD. CAP. GR. 5 PL.
6	3	0400392	NUT, 3/8" - 16 NYLON LOCK
7	1	0703097	SHAFT, LOWER LIFT CYL.
8	1	0703092	SHAFT, UPPER LIFT CYL.
9	1	0302279	WINCH ASS'Y., LEFT
10	1	0801304	OUTER BOOM WELDMENT
11	1	0703093	RETAINER, SLIDE PAD
12	4	0300679	SLIDE PAD, NYLATRON
13	4	0400060	SCREW, 1/4" - 20 X 1/2" LG. HEX. HD. CAP. GR. 2
14	4	0400452	WASHER, 1/4" LOCK
15	1	0704747	BOOM PIVOT SHAFT
16	1	0801510	FILLER PIPE CAP W/DIPSTICK
17	1	0800942	INNER BOOM WELDMENT
18	8	0300113	GREASE FITTING, STR.
19	2	0900007	BOOM END SWIVEL ASS'Y.
20	1	0702280	WINCH ASS'Y RIGHT
21	2	0400121	SCREW, 3/8" - 16 NC X 3/4" LG. HEX. HD. CAP
22	16	0400482	WASHER, 3/8" LOCK
23	1	0703137	SHAFT, EXT. CYL. BASE END
24	4	0300110	SNAP RING
25	1	0703082	SHAFT, EXT. CYL. ROD END
26	12	0400122	SCREW, 3/8" - 16 NC X 1 1/4" LG. HEX. HD. CAP
27	2	0400150	SCREW, 3/8" - 16 NC X 2 1/2" LG. HEX. HD. CAP
28	2	0400393	JAM NUT, 3/8" - 16 NC HEX.
29	1	0703094	SUCTION NIPPLE

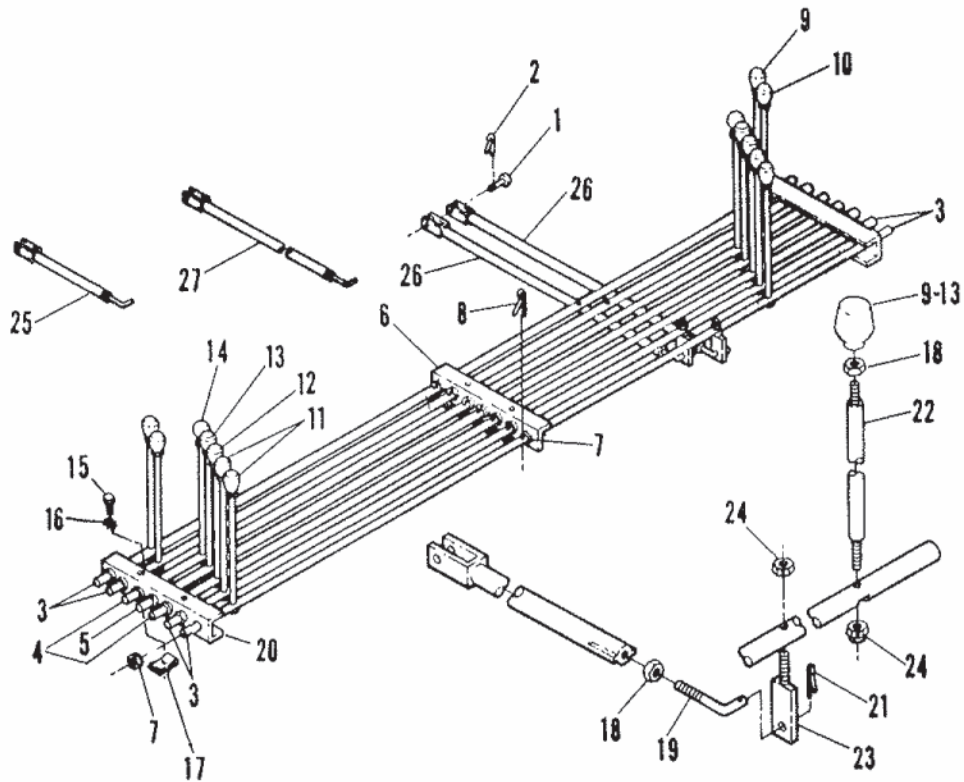
Section VI - PARTS
612 - HYDRAULICS



Section VI - PARTS 612 - HYDRAULICS

REF. NO.	NO. REQ'D.	PART NUMBER	DESCRIPTION
1	1	0300136	OIL FILTER ASS'Y
2	1	0300135	FILTER REPLACEMENT CARTRIDGE
3	2	0300288	STREET ELBOW, 3/4" NPT
4	2	0300055	HOSE BARB, 3/4" HOSE - 3/4" NPT
5	2	0300071	HOSE CLAMP, 1"
6	1	0301387	TEE, 3/4" FEM, NPT
7	1	0301899	NIPPLE, 3/4" X 5" LG. NPT
8	1	0301375	ELBOW, 3/4" SAE MALE X 3/4" NPT FEM 90°
9	1	0300011	VALVE, 4 SPOOL
10	4	0300041	CONNECTOR, 1/2" SAE "O" RING X 1/2" J.I.C.
11	2	0300052	ELBOW, 5/8" SAE MALE X 1/2" J.I.C. MALE 90°
12	1	0300165	HIGH PRESSURE HOSE
13	1	0300814	ELBOW, 3/4" SAE X 1/2" J.I.C. MALE 90°
14	1	0301790	HOSE, 1/2" J.I.C. X 1/2" J.I.C. 90° X 17" LG.
15	1	0301881	CONNECTOR, 3/4" NPT MALE 1/2" J.I.C. MALE STR.
16	4	0300044	CONNECTOR, 1/2" SAE "O" RING X 3/8" J.I.C. M
17	1	0301388	ELBOW, 1/2" SAE "O" RING M X 1/2" J.I.C. M 90°
18	1	0301471	HOSE, 1/2" J.I.C. X 1/2" J.I.C. 90° X 30" LG.
19	2	0301902	HOSE, LIFT CYLINDER
20	1	0300286	ADAPTOR, H.P.C.O.
21	1	0301756	BOOM LIFT CYLINDER
22	2	0301207	HOSE, WINCH MOTOR
23	4	0300229	ELBOW, 1/2"
24	2	0302148	MOTOR, HYDRAULIC
25	4	0400196	SCREW, 1/2" - 13 X 1 1/4" LG. SOCKET HD.
26	1	0300057	RETURN HOSE, 3/4" I.D. X 47" LG.
27	1	0300124	GROMMET, SPLIT
28	6	0400140	SCREW, 3/8" - 16 X 4" LG. HEX. HD. CAP. GR. 5
29	6	0400392	NUT, 3/8" - 16 NYLON LOCK
30	1	0301964	HOSE, 3/8" J.I.C. X 3/8" J.I.C. 90° X 62" LG.
31	1	0301965	HOSE, 3/8" J.I.C. X 3/8" J.I.C. 90° X 128" LG.
32	3	0300142	ELBOW, 1/4" NPT MALE X 3/8" J.I.C. 90°
33	2	0300147	STREET ELBOW, 1/4" NPT FEM. X 1/4" NPT MALE
34	1	0301755	BOOM EXTEND CYLINDER
35	1	0703896	VALVE MOUNTING CHANNEL
36	1	0301696	ELBOW, 3/8" J.I.C. (MALE) X 3/8" J.I.C. (FEMALE), 90°
37	1	0300010	VALVE, 3-SPOOL
38	2	0301893	WINCH MOTOR HOSE L.H.
39	4	0400126	SCREW, 3/8" - 16 NC X 1" LG. 5 PL. CAP
40	1	0301470	ELBOW, 1/2" SAE X 3/8" J.I.C. 90°

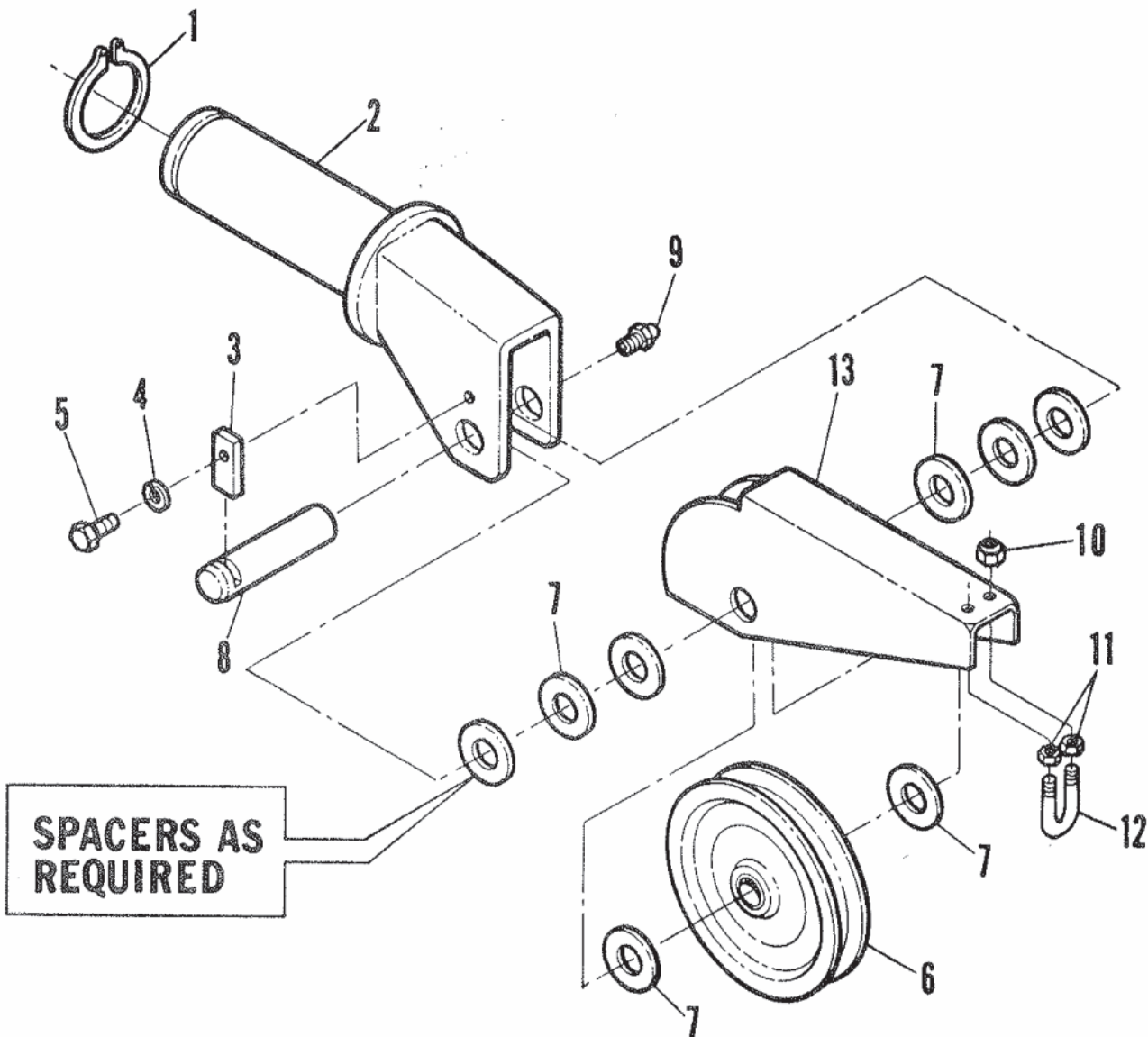
Section VI - PARTS CONTROL & CROSSROD ASSEMBLY



REF. NO.	NO. REQ'D.	PART NUMBER	DESCRIPTION
1	7	0400527	CLEVIS PIN, 5/16"DIA. COTTERLESS S.S.
2	7	0400541	COTTER PIN, 1/16" X 3/4"
3	4	0704529	CROSSROD - WRECKER
4	2	0703528	CROSSROD -W/L
5	1	0704530	CROSSROD - TILT
6	1	0703501	ANGLE, CROSS ROD BEARING
7	21	0300122	GROMMET, SPLIT PLASTIC
8	14	0400539	COTTER PIN, 3/16" X 1 1/2"
9	2	0300837	KNOB, WRECKER BOOM "IN-OUT" (BLACK)
10	2	0300835	KNOB, WRECKER BOOM "UP-DN" (BLACK)
11	2	0300834	KNOB, CABLE "IN-OUT" (RED)
12	2	0301428	KNOB, W/L "UP-DN" (GREY)
13	2	0301429	KNOB, W/L "IN-OUT" (GREY)
14	2	0301720	KNOB, W/L "TILT" (ROUND BLACK)
15	6	0400063	SCREW, 1/4" - 20 X 1 1/2" LG. HEX. HD. CAP
16	6	0400452	LOCKWASHER, 1/4 EXT. TOOTH
17	6	0400370	CLIP, 1/4" TINNEMAN
18	21	0400393	NUT, 3/8" - 16 JAM
19	--	0701099	EXTENSION, CONTROL ROD LONG
20	2	0704517	CHANNEL, CROSS ROD BEARING
21	7	0400543	COTTER PIN, 1/8" X 3/4"
22	14	0704527	LEVER, CONTROL
23	7	0800604	ARM, CROSS CONTROL
24	21	0400390	NUT, 3/8" - 16 JAM ESLOK
25	--	0800612	CONTROL ROD SHORT
26	--	0800613	CONTROL ROD LONG
27	--	0800955	CONTROL ROD MED.

Section VI - PARTS

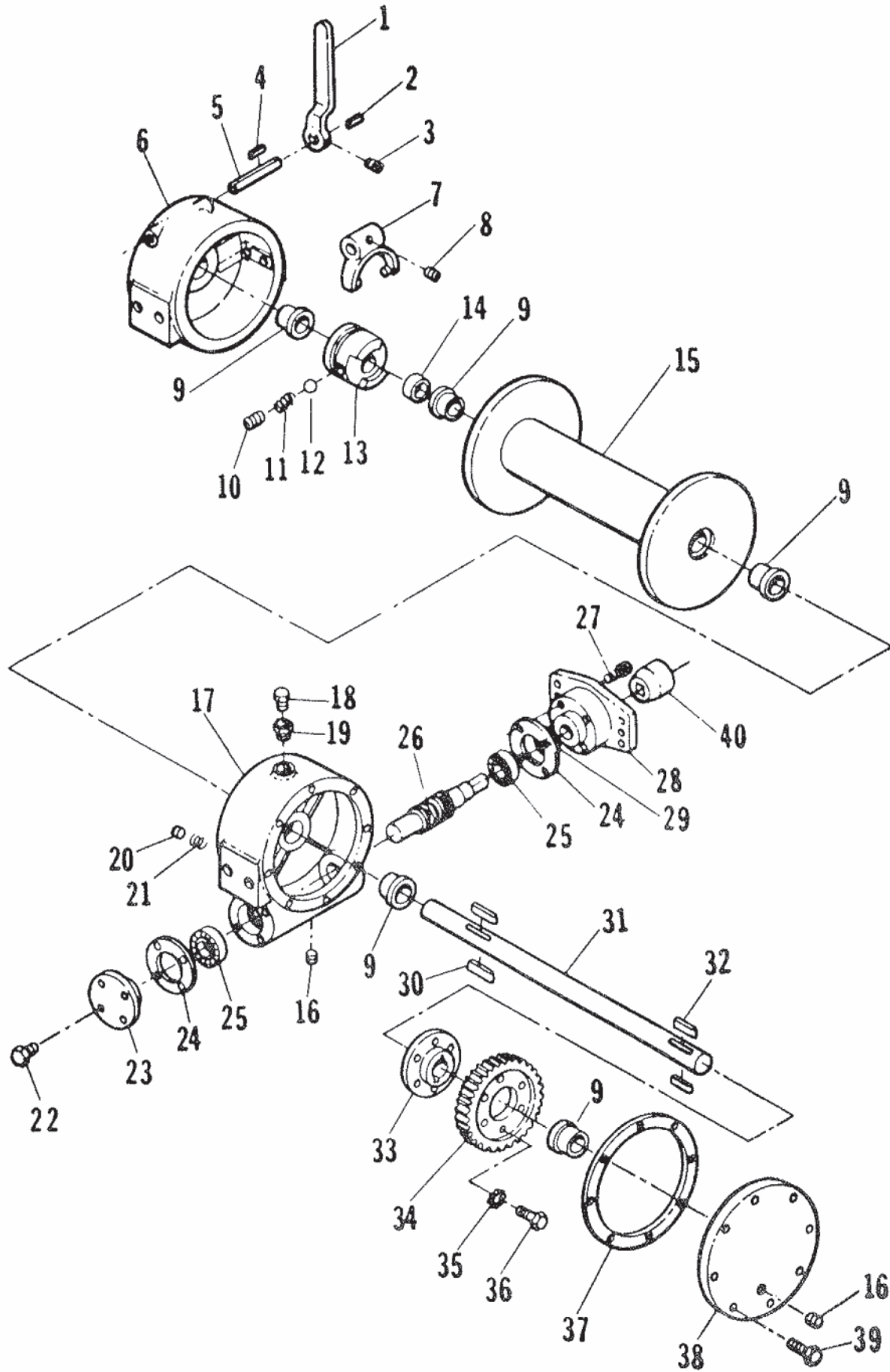
BOOM END ASSEMBLY



REF. NO.	NO. REQ'D.	PART NUMBER	DESCRIPTION
1	1	0300108	SNAP RING, 2-1/2" DIA. EXT.
2	1	0800003	BOOM END SWIVEL
3	1	0700032	SHAFT RETAINER
4	1	0400452	1/4" LOCKWASHER
5	1	0400060	1/4" - 20 NC X 1/2" HEX. HD. CAPSCREW GR. 5
6	1	0300022	6" SHEAVE
7	2	0700166	WASHER - SPACER
8	1	0700056	SHAFT
9	1	0300113	GREASE FITTING
10	2	0400392	3/8" - 16 NC HEX. NYLOC NUT
11	2	0400393	3/8" - 16 NC HEX. JAM NUT
12	1	0301531	"U" BOLT (FROM 3/8" CABLE CLAMP)
13	1	0800735	CABLE GUIDE

Section VI - PARTS

601 & 602 HYDRAULIC WINCH



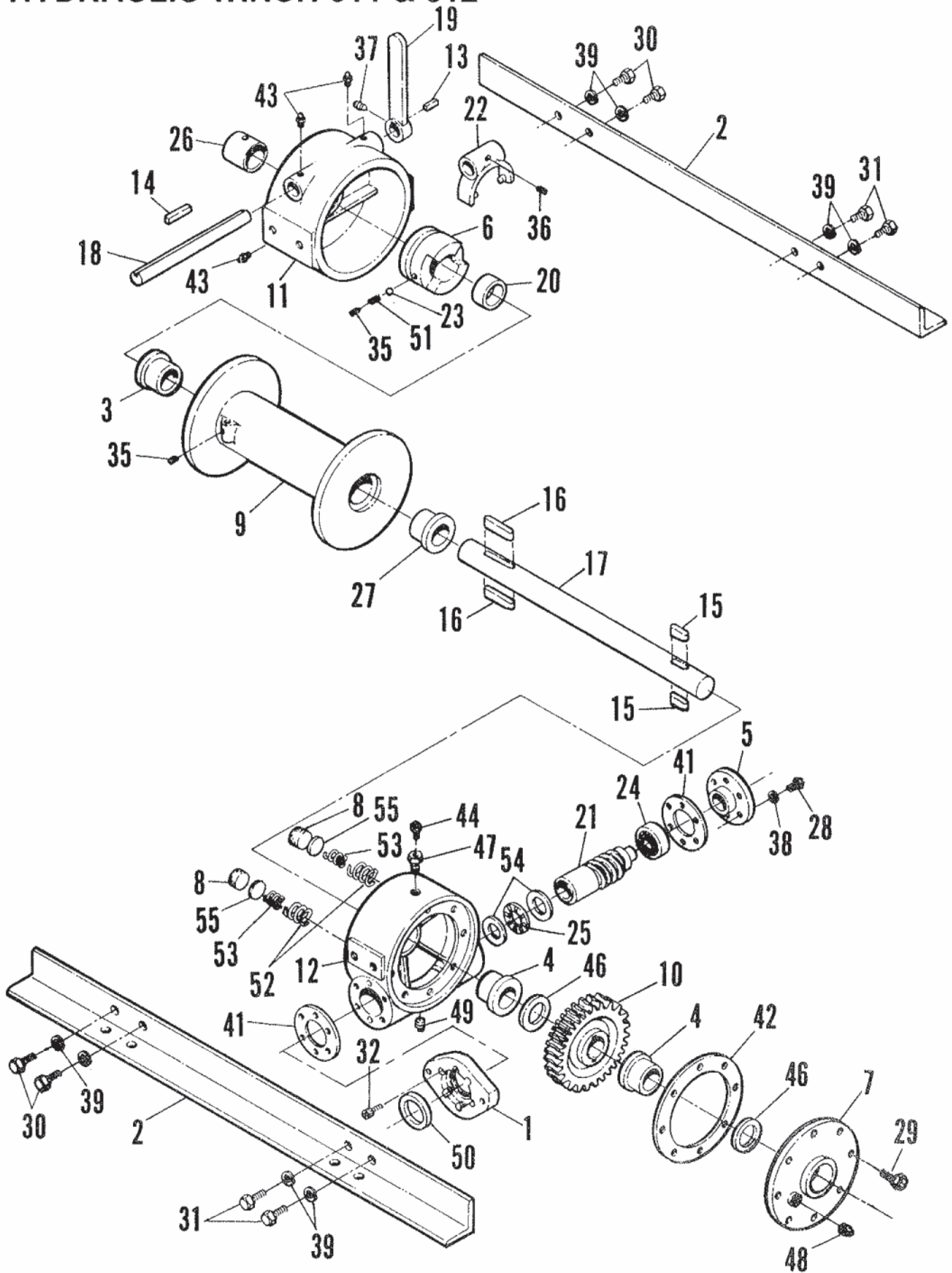
Section VI - PARTS

601 & 602 HYDRAULIC WINCH

REF. NO.	NO. REQ'D.	PART NUMBER	DESCRIPTION
1	1	0300261	LEVER
2	1	0300448	KEY
3	1	0300449	SCREW
4	1	0300450	KEY
5	1	0300451	SHAFT
6	1	0300452	CLUTCH HOUSING
7	1	0300398	YOKE
8	1	0300399	SCREW
9	5	0300453	BUSHING
10	1	0300454	SCREW
11	1	0300455	SPRING
12	1	0300456	BALL
13*	1	—	CLUTCH
14	1	0300458	SPACER
15	1	0300381	DRUM
16	2	0300459	PLUG
17	1	0300460	HOUSING
18	1	0300461	PLUG
19	1	0300462	REDUCER
20	1	0300463	DRAG BRAKE
21	1	0300464	SPRING
22	16	0300465	SCREW
23	1	0300466	CAP
24	2	0300447	GASKET
25	2	0300467	BEARING
26	1	0300468	WORM
27	1	0300695	SCREW
28	1	0300694	CAP, ADAPTOR
29	1	0300471	SEAL
30*	2	—	KEY
31*	1	—	SHAFT
32*	2	—	KEY
33	1	0300472	HUB
34	1	0300473	GEAR
35	6	0300474	WASHER
36	6	0300475	SCREW
37	1	0300476	GASKET
38	1	0300477	COVER
39	4	0300569	SCREW
40	1	0300290	COUPLING

*When Ordering Specify Winch Serial Number

Section VI - PARTS HYDRAULIC WINCH 611 & 612

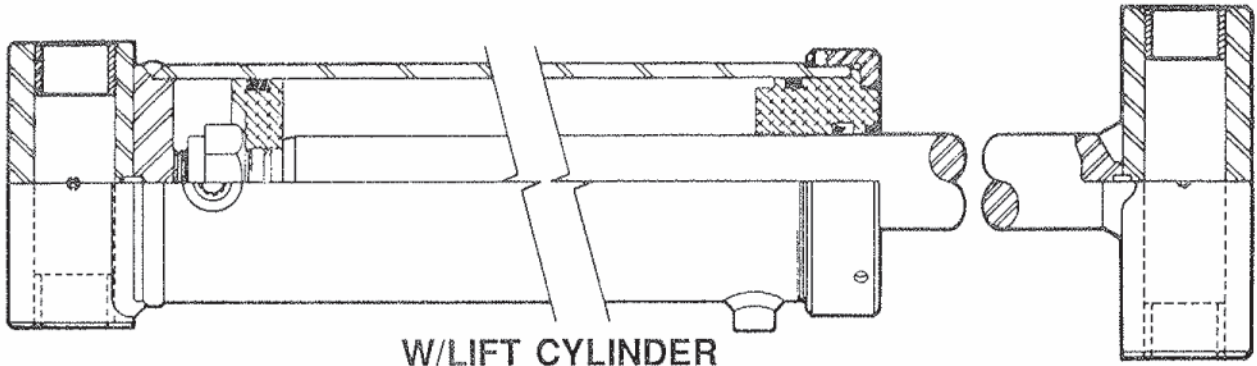


Section VI - PARTS

HYDRAULIC WINCH 611 & 612

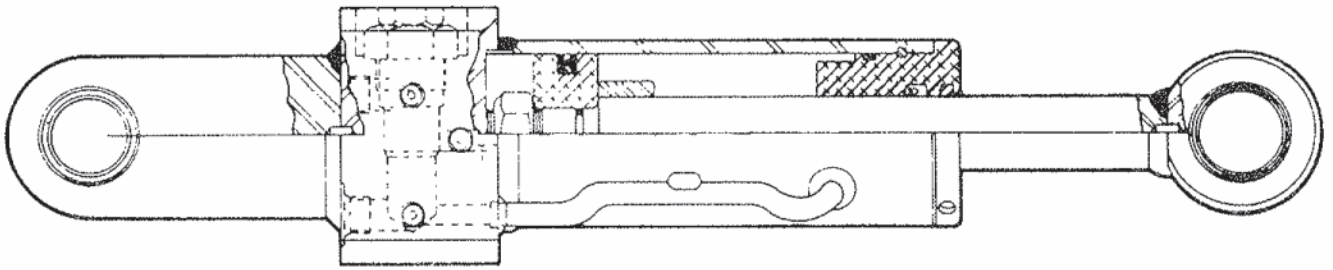
ITEM NO.	NO. REQ'D.	PART NUMBER	DESCRIPTION
1	1	300062	ADAPTOR
2	2	302956	ANGLE-H400
3	1	308046	BUSHING
4	2	308048	BUSHING
5	1	316004	CAP
6	1	324102	CLUTCH-JAW
7	1	328010	COVER
8	2	330010	SHOE - DRAG BRAKE
9	1	332139	DRUM - 400
10	1	334016	GEAR - R.H.
11	1	338009	HOUSING - CLUTCH
12	1	338010	HOUSING - GEAR
13	1	342024	KEY - SQ. END
14	1	342032	KEY - SQ. END
15	2	342120	KEY - RD. END
16	2	342123	KEY - RD. END
17	1	356702	SHAFT - DRUM - 400
18	1	356902	SHAFT - SHIFTER
19	1	358052	SHIFTER - HANDLE
20	1	362007	SPACER - DRUM
21	1	368183	WORM - R.H.
22	1	370003	YOKE
23	1	400003	BALL - POPPET
24	1	402044	BEARING - BALL
25	1	402107	BEARING - THRUST
26	1	412005	BUSHING
27	1	412006	BUSHING
28	6	414139	CAPSCREW, 5/16 - 18 NC X 1-1/4 LG. HEX. HD. GR. 5
29	8	414140	CAPSCREW, 5/16 - 18 NC X 3/4 LG. HEX. HD. GR. 5 NYLOK HVY. PATCH
30	4	414457	CAPSCREW, 7/16 - 14 NC X 1-1/4 LG. HEX. HD. GR. 5
31	4	414481	CAPSCREW, 7/16 - 14 NC X 1-1/4 LG. HEX. HD. GR. 5 NYLOK HVY. PATCH
32	6	414887	CAPSCREW, 5/16 - 18 NC X 1 LG. SOC. HD. LOK-WEL
34	1	414971	SCREW - POPPET 1/2 - 20 NF HD. - LESS DR. SLOT
35	1	416059	SETSCREW, 3/8 - 16 NC X 1/2 LG. HEX. SOC. HD. CUP PT.
36	1	416109	SETSCREW, 5/16 - 18 NC X 1/2 LG. SQ. HD. CUP PT.
37	1	416112	SETSCREW, 5/16 - 18 NC X 3/4 LG. SQ. HD. CUP PT.
38	6	418163	LOCKWASHER, 5/16 MED. SECT. C.P.
39	8	418198	LOCKWASHER, 7/16 MED. SECT. C.P.
41	2	442182	GASKET
42	1	442183	GASKET
43	3	456006	FITTING - LUBE
44	1	456008	FITTING - RELIEF
46	2	462003	QUAD - RING
47	1	468002	REDUCER
48	1	468010	PLUG - PIPE
49	1	468011	PLUG - PIPE
50	1	486079	SEAL - PILOT
51	1	494005	SPRING
52	2	494088	SPRING
53	2	494089	SPRING
54	2	518026	WASHER - THRUST
55	2	530094	SPACER - BRAKE DISC

Section VI - PARTS
FORMULA 6000 WHEEL LIFT
HYDRAULIC CYLINDERS



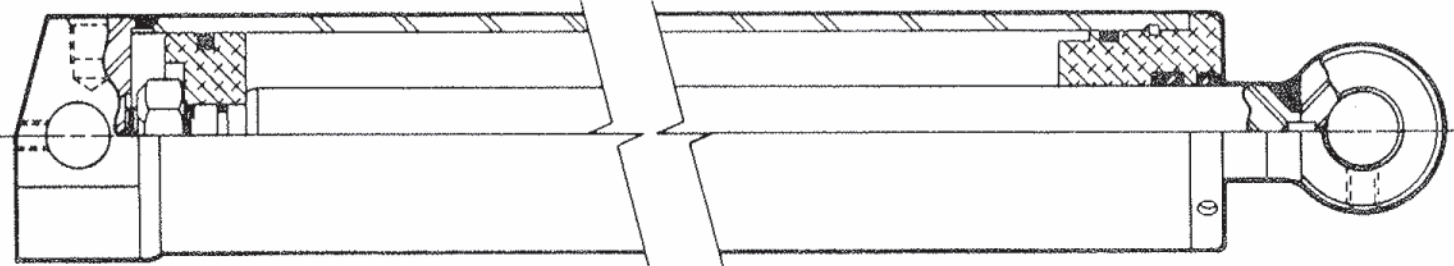
W/LIFT CYLINDER

REF. NO.	NO. REQ'D.	PART NUMBER	DESCRIPTION
1	1	0301484	HYDRAULIC CYLINDER, LIFT (COMPLETE)
2	1	0304181	SEAL KIT, LIFT CYLINDER



W/L TILT CYLINDER

REF. NO.	NO. REQ'D.	PART NUMBER	DESCRIPTION
1	1	0301824	HYDRAULIC CYLINDER, TILT (COMPLETE)L.H.
2	1	0301823	HYDRAULIC CYLINDER, TILT (COMPLETE)R.H.
3	2	0304241	SEAL KIT, TILT CYLINDER

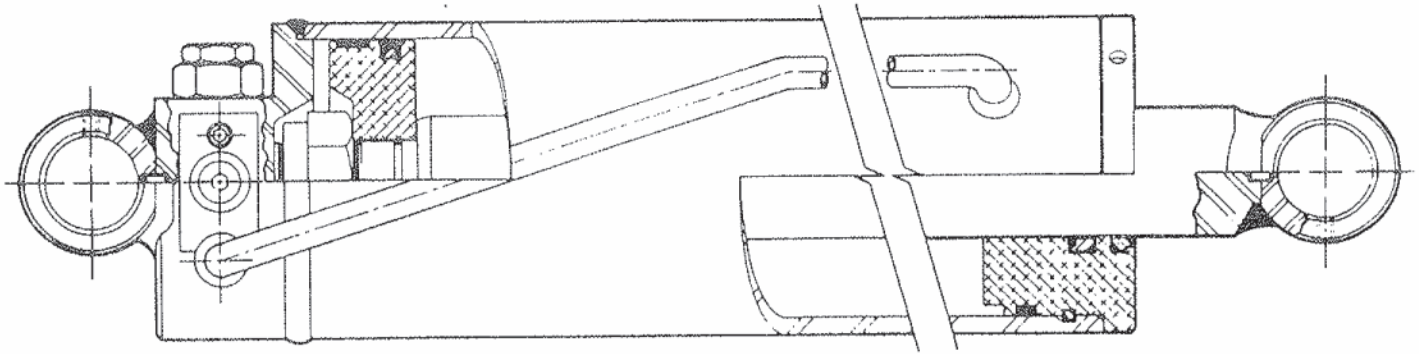


W/L EXTEND CYLINDER

REF. NO.	NO. REQ'D.	PART NUMBER	DESCRIPTION
1	1	0301825	HYDRAULIC CYLINDER, EXTEND (COMPLETE)
2	1	0304086	SEAL KIT, EXTEND CYLINDER

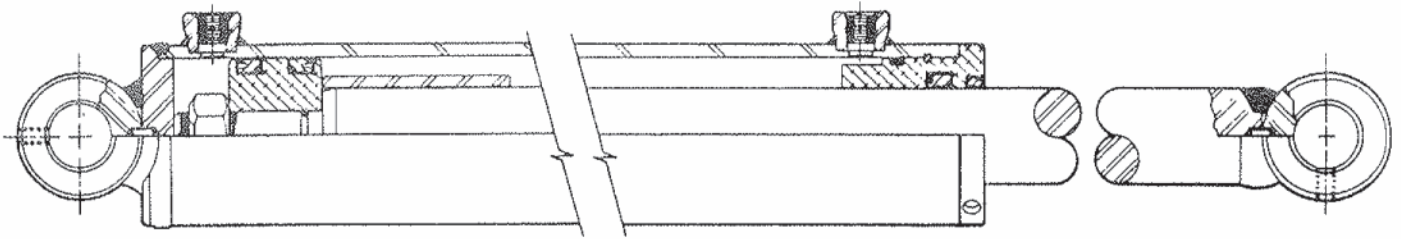
Section VI - PARTS

600 SERIES WRECKER HYDRAULIC CYLINDERS



BOOM LIFT CYLINDER

REF. NO.	NO. REQ'D	PART NUMBER	DESCRIPTION
1	1	0301756	HYDRAULIC CYLINDER, LIFT (COMPLETE)
2	1	0304222	SEAL KIT, LIFT CYLINDER

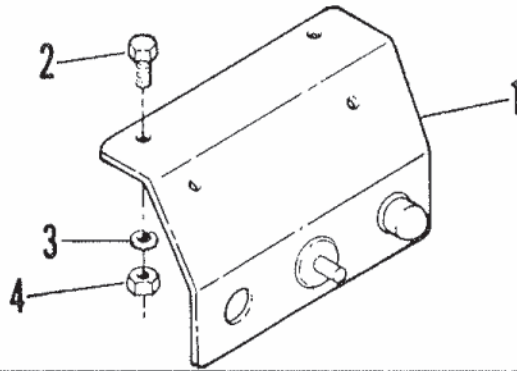


BOOM EXTEND CYLINDER

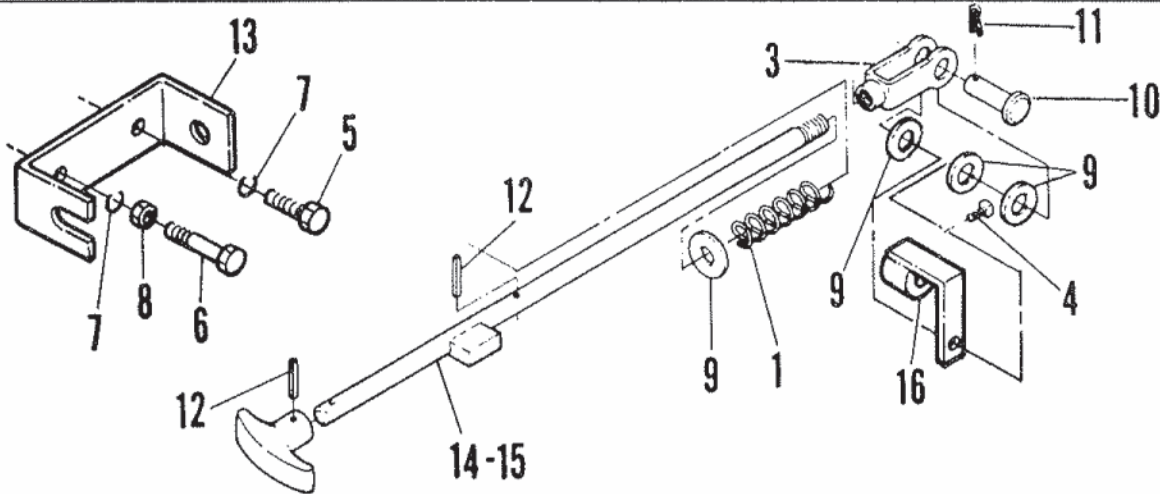
REF. NO.	NO. REQ'D.	PART NUMBER	DESCRIPTION
1	1	0301755	HYDRAULIC CYLINDER, EXTEND (COMPLETE)
2	1	0300624	SEAL KIT, EXTEND CYLINDER

Section VI - PARTS

STANDARD PTO PANEL & WINCH CLUTCH CONTROL



REF. NO.	NO. REQ'D.	PART NUMBER	DESCRIPTION
1	1	0301675	PANEL (COMPLETE)
2	2	0400061	SCREW, 1/4" - 20 x 3/4"
3	2	0400452	LOCKWASHER, 1/4"
4	2	0400366	NUT, 1/4" - 20 HEX



REF. NO.	NO. REQ'D.	PART NUMBER	DESCRIPTION
1	1	0300845	SPRING, COMPRESSION
2	1	0301532	"T" HANDLE
3	1	0301588	ADJUSTING YOKE
4	1	0400116	SCREW, 5/16" - 18 X 1/2" LG. SQ. HD. SET
5	1	0400122	SCREW, 3/8" - 16 X 1-1/4" LG. HEX. HD. CAP (DUAL WINCH)
-	1	0400126	SCREW, 3/8" - 16 X 1" LG. HEX. HD. CAP (SINGLE WINCH)
6	1	0400150	SCREW, 3/8" - 16 X 2-1/2" LG. HEX. HD. CAP
7	2	0400482	WASHER, 3/8" LOCK
8	1	0400393	NUT, 3/8" - 16 JAM
9	4	0400492	WASHER, 1/2" FLAT
10	1	0400537	PIN, 1/2" DIA. X 1-1/2" LG. CLEVIS
11	1	0400546	PIN, 1/8" X 1-1/4" LG. COTTER
12	2	0400560	PIN, 5/32" X 1" LG. ROLL
13	1	0702408	MOUNTING CHANNEL
14	1	0800780	CONTROL ROD, SINGLE WINCH
15	1	0800781	CONTROL ROD, DUAL WINCH
16	1	0800779	WELDMENT, BELL CRANK

Section VI - PARTS

LIGHT KIT

BACK-UP LIGHT

1.	0304147	HOUSING, BACK-UP LIGHT
2.	0304152	BULB, BACK-UP LIGHT
3.	0304151	PIVOT SCREW, BACK-UP LIGHT
4.	0304150	PIVOT SCREW LOCKWASHER, BACK-UP LIGHT
5.	0304153	PIVOT SCREW NUT, BACK-UP LIGHT
6.	0304150	MTG. SCREW LOCKWASHER, BACK-UP LIGHT
7.	0304153	MTG. SCREW NUT, BACK-UP LIGHT
8.	0301505	LIGHT, BACK-UP COMPLETE
9.	0304148	MOUNTING BRACKET
10.	0304149	MOUNTING SCREW, BACK-UP LIGHT

MARKER LIGHTS

1.	0301741	LIGHT ASS'Y., RED
2.	0301740	GROMMET MOUNTING KIT

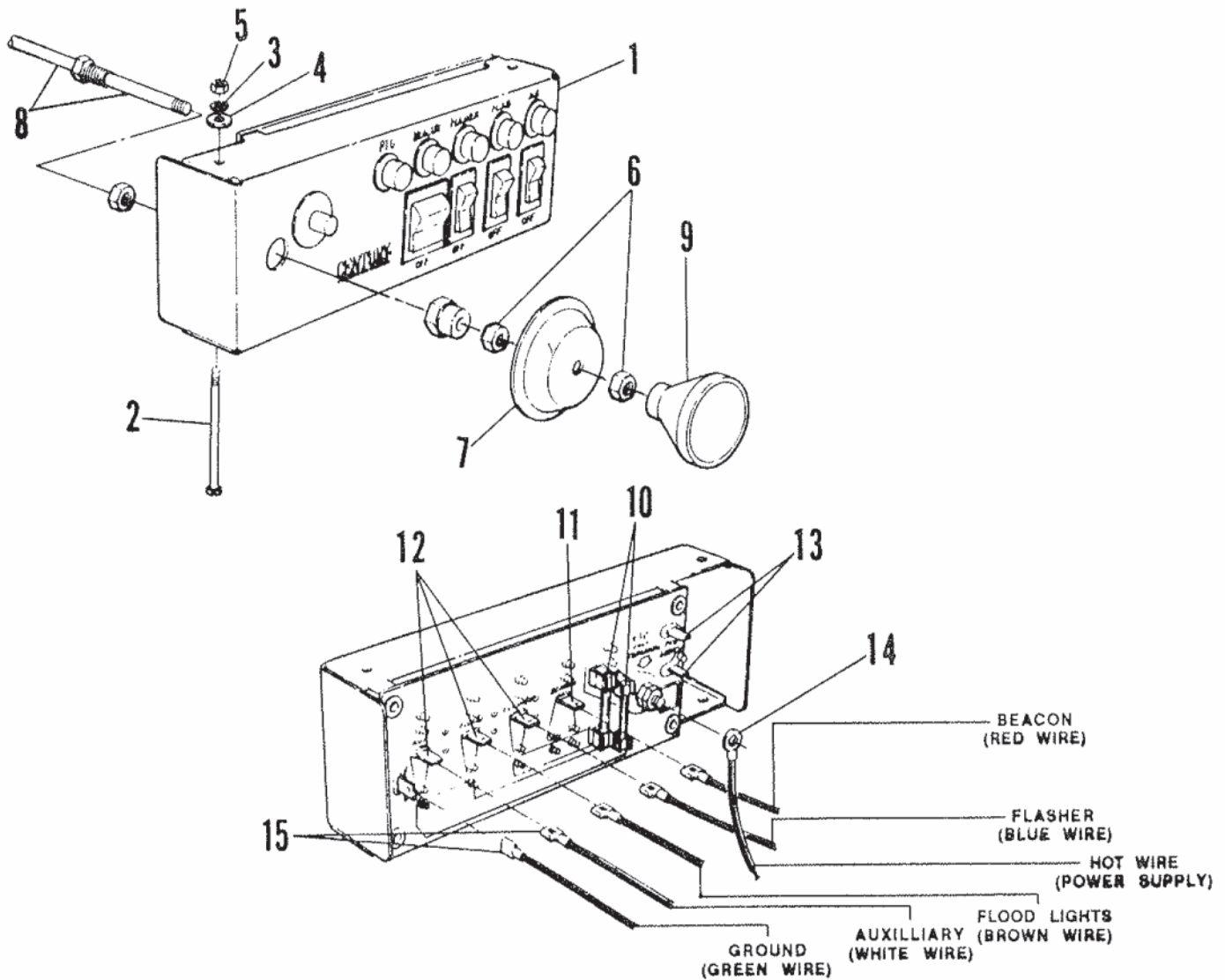
STOP & TURN LIGHT

1.	0304123	BEZEL MTG. SCREW, STOP & TURN LIGHT
2.	0304124	CHROME BEZEL, STOP & TURN LIGHT
3.	0304125	LENS ASS'Y., STOP & TURN LIGHT
4.	0300498	BULB STOP & TURN LIGHT
5.	0304126	LIGHT SOCKET, STOP & TURN LIGHT
6.	0304127	RUBBER MTG. GROMMET, STOP & TURN LIGHT
7.	0301390	LIGHT, STOP & TURN (COMPLETE)

MARKER LIGHTS

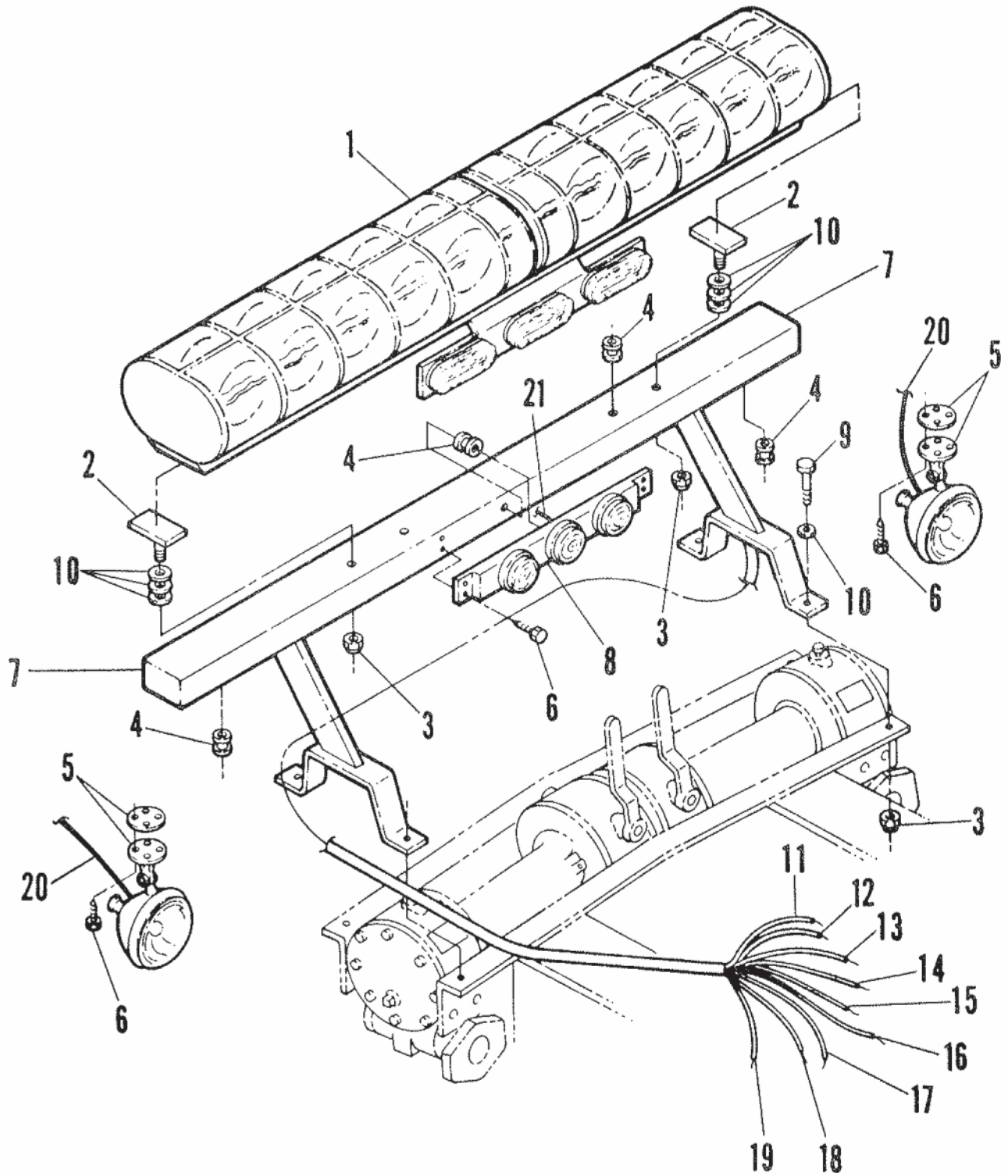
1.	0301742	LIGHT ASS'Y., AMBER
2.	0301740	GROMMET MOUNTING KIT

Section VII - OPTIONAL EQUIPMENT DASHBOARD PANEL



REF. NO.	NO. REQ'D.	PART NUMBER	DESCRIPTION
1	1	0304155	SWITCH PANEL HOUSING
2	2	0304156	MTG. SCREW #10 - 32 X 3-3/8"
3	2	0304157	LOCKWASHER, #10 EXT. TOOTH
4	1	0304158	FLATWASHER, #10
5	2	0304166	NUT, 10 - 32
6	2	0304160	JAM NUT
7	1	0304161	ACTUATOR DISK
8*	1	---	PTO CABLE, 14 FT. (*Specify Make & Model Of Truck)
9	1	0304163	PTO KNOB
10	2	0304162	CIRCUIT BREAKER, 40 AMP
11	1	0304154	SWITCH, DOUBLE POLE, SINGLE THROW
12	2	0304006	SWITCH, SINGLE POLE, SINGLE THROW
13	1	0304164	PTO LIGHT SWITCH
14	1	0301503	RING CONNECTOR
15	3	0304165	SPADE CONNECTOR

Section VII - OPTIONAL EQUIPMENT
LIGHTING ACCESSORIES 600 SERIES
601 & 602 ONLY



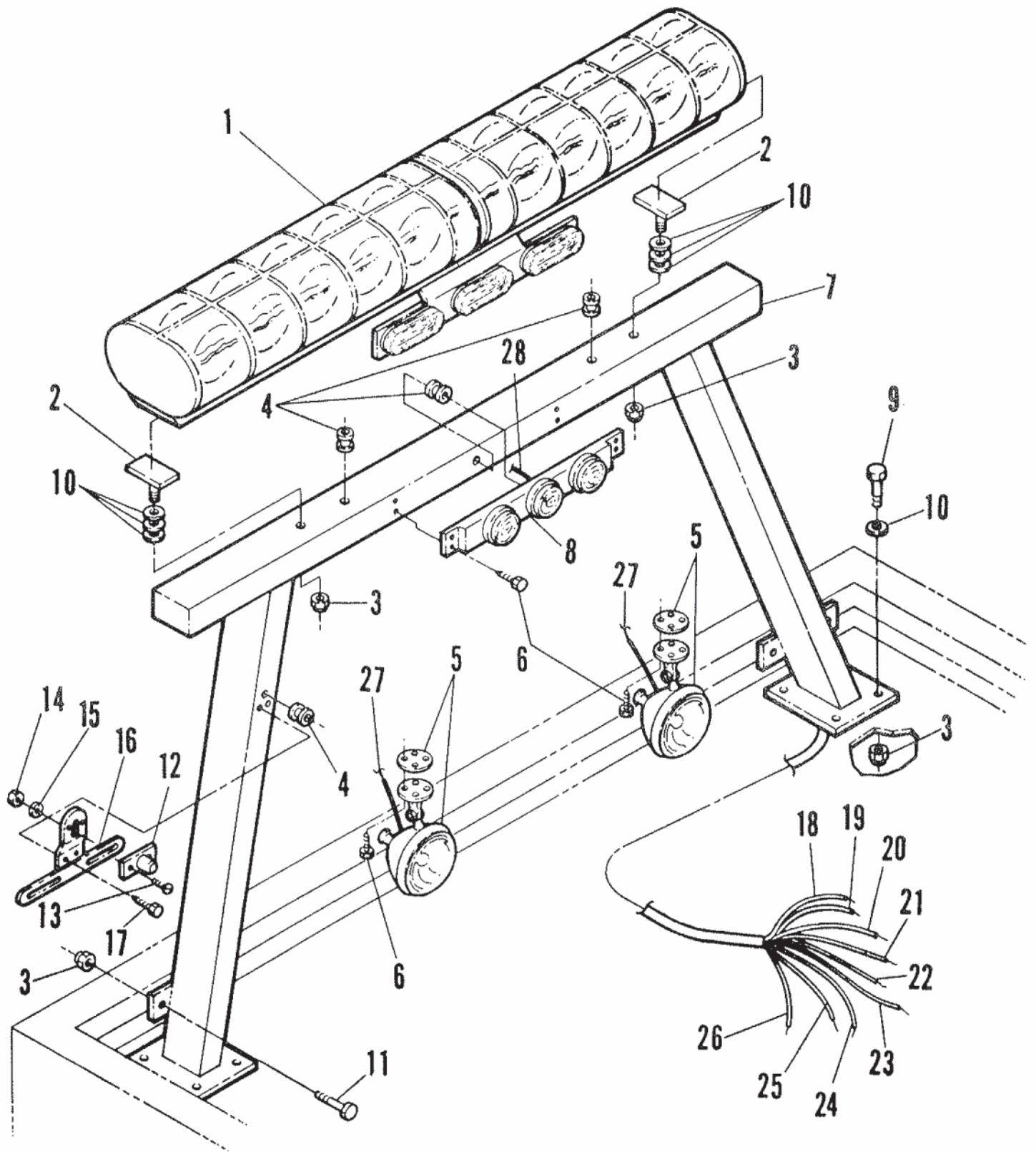
**Section VII - OPTIONAL EQUIPMENT
LIGHTING ACCESSORIES 600 SERIES
601 & 602 ONLY**

REF. NO.	NO. REQ'D.	PART NUMBER	DESCRIPTION
1	1	0301359	WRECKER SPECIAL LIGHT
2	2	0800539	"T" BOLT ADAPTOR
3	6	0400392	NUT, 3/8" - 16 HEX HD. NYLOK
4	4	0300117	RUBBER GROMMET
5	2	0300095	SPOTLIGHT W/GASKET
6	12	0400027	SCREW, #8 - 32 X 5/8" SELF-TAPPING
7	1	0801107	LIGHT BAR FOR WRECKER
8	1	0300442	3 BAR LIGHT
9	4	0400122	SCREW, 3/8" - 16 X 1-1/4" HEX. HD.
10	14	0400480	FLAT WASHER, 3/8"

WIRING

REF. NO.	COLOR	DESCRIPTION	TERMINATION
11	GREY		NOT CONNECTED
12	BROWN W/WHITE STRIPE		NOT CONNECTED
13	BLUE	FLASHING LIGHTS	CONNECT TO RED (21) RUN TO PANEL
14	RED	ROTATING LIGHTS	CONNECT TO BLUE (20)
15	BROWN	TAIL LIGHTS	CONNECT TO BLACK ON BODY HARNESS
16	ORANGE	FLOOD LIGHTS	CONNECT TO BROWN ON BODY HARNESS
17	BLACK	GROUND	CONNECT TO CHASSIS OR BODY
18	GREEN	R. TURN/STOP	CONNECT TO BLUE ON BODY HARNESS
19	YELLOW	L. TURN/STOP	CONNECT TO YELLOW ON BODY HARNESS
20	BLACK	SPOTLIGHTS	CONNECT TO BROWN ON BODY HARNESS
21	BLACK	3-BAR LIGHT	CONNECT TO BLACK ON BODY HARNESS

Section VII - OPTIONAL EQUIPMENT LIGHTING ACCESSORIES FORMULA 6000



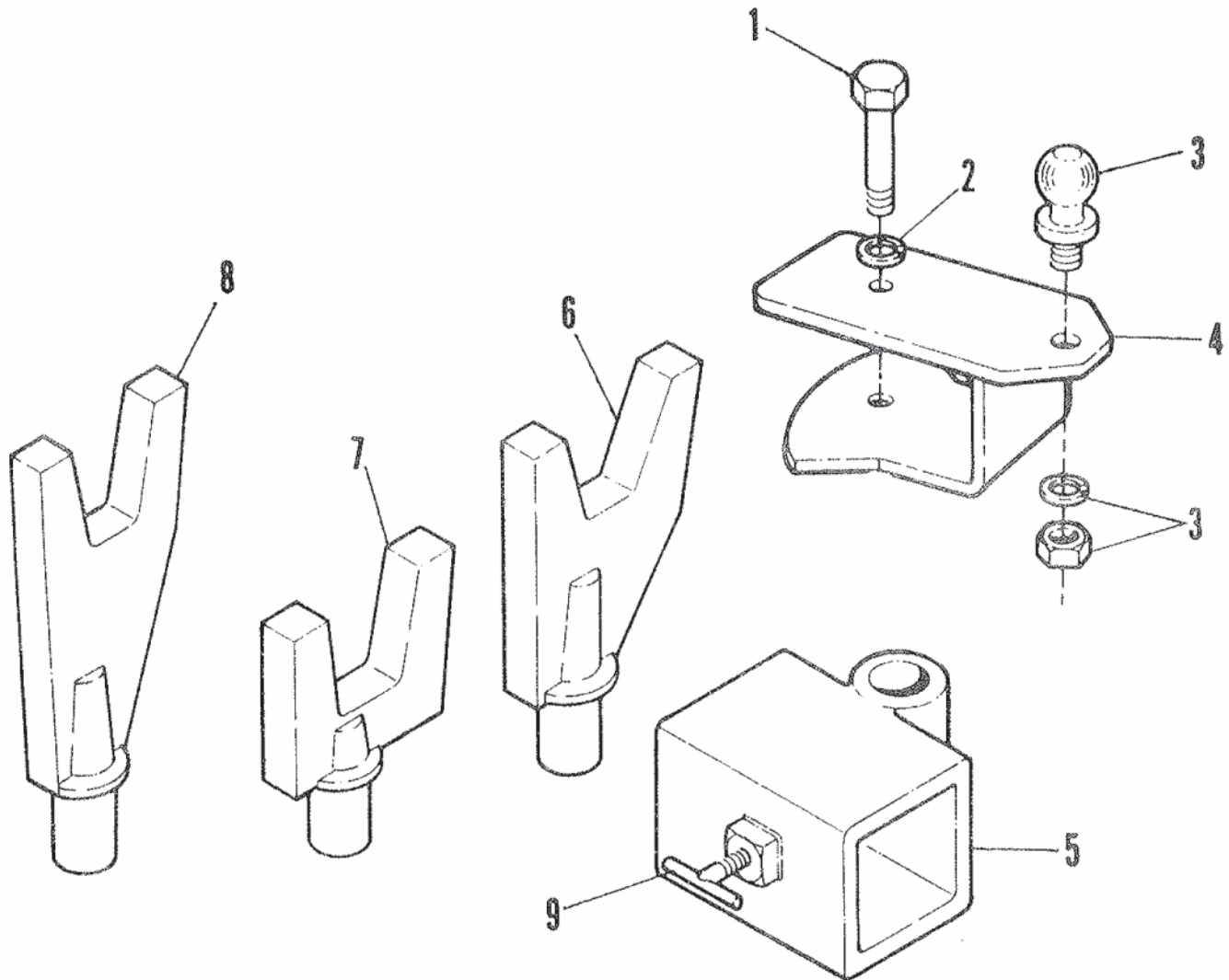
Section VII - OPTIONAL EQUIPMENT LIGHTING ACCESSORIES FORMULA 6000

REF. NO.	NO. REQ'D.	PART NUMBER	DESCRIPTION
1	1	0301359	WRECKER SPECIAL LIGHT
2	2	0800539	"T" BOLT ADAPTOR
3	6	0400392	NUT, 3/8" - 16 HEX HD. NYLOK
4	4	0300117	RUBBER GROMMET
5	2	0300095	SPOTLIGHT W/GASKET
6	12	0400027	SCREW, #8 - 32 X 5/8" SELF-TAPPING
7	1	0801107	LIGHT BAR FOR WRECKER
8	1	0300442	3 BAR LIGHT
9	4	0400122	SCREW, 3/8" - 16 X 1-1/4" HEX. HD.
10	14	0400480	FLAT WASHER, 3/8"
11	4	0400126	SCREW, 3/8" - 16 X 1" HEX. HD.
12	1	0300273	LICENSE PLATE ILLUMINATOR
13	2	0400061	SCREW, 1/4" - 20 X 3/4" PAN HD.
14	2	0400366	NUT, 1/4" - 20 PLAIN
15	2	0400452	LOCKWASHER, 1/4"
16	1	0300076	LICENSE PLATE HOLDER
17	2	0400062	SCREW, 1/4" - 20 X 3/4" THREAD CUT HEX. HD.

WIRING

REF. NO.	COLOR	DESCRIPTION	TERMINATION
18	GREY		NOT CONNECTED
19	BROWN		NOT CONNECTED
	W/WHITE STRIPE		
20	BLUE	FLASHING LIGHTS	CONNECT TO RED (21) RUN TO PANEL
21	RED	ROTATING LIGHTS	CONNECT TO BLUE (20)
22	BROWN	TAIL LIGHTS	CONNECT TO BLACK ON BODY HARNESS
23	ORANGE	FLOOD LIGHTS	CONNECT TO BROWN ON BODY HARNESS
24	BLACK	GROUND	CONNECT TO CHASSIS OR BODY
25	GREEN	R. TURN/STOP	CONNECT TO BLUE ON BODY HARNESS
26	YELLOW	L. TURN/STOP	CONNECT TO YELLOW ON BODY HARNESS
27	BLACK	SPOTLIGHTS	CONNECT TO BROWN ON BODY HARNESS
28	BLACK	3-BAR LIGHT	CONNECT TO BLACK ON BODY HARNESS

Section VII - OPTIONAL EQUIPMENT LIFT ADAPTORS



REF. NO.	NO. REQ'D.	PART NUMBER	DESCRIPTION
1	1	0400294	TOWBALL MOUNTING BOLT (OPT.)
2	1	0400511	LOCKWASHER (OPT.)
3	1	0300091	TOWBALL (OPT.)
4	1	0800820	TOW BALL BRACKET (OPT.)
5	2	0800861	FORK LIFT ADAPTOR (STD.)
6	2	0800857	FORK WELDMENT, MEDIUM (OPT.)
7	2	0800858	FORK WELDMENT, SHORT (STD.)
8	2	0800859	FORK WELDMENT, LONG (OPT.)
9	2	0800590	"T" HANDLE (STD.)