

CENTURY®

L E G E N D A R Y L E A D E R S H I P



OWNER'S MANUAL

9055

PARTS

NOTE: MANUAL including SPECIFICATIONS, subject to change without notice.
All ratings specified are based on structural factors only,
not vehicle capacities or capabilities.

CENTURY®

Miller Industries Towing Equipment Inc.
8503 Hilltop Drive
Ooltewah, Tennessee 37363
Phone (423) 238-4171 • FAX (423) 238-5371

FORM NO. 0501763
09 / 2010
PRICE \$25.00

LIMITED WARRANTY

MILLER INDUSTRIES TOWING EQUIPMENT INC., hereinafter referred to as MILLER, warrants to the original purchaser that each new MILLER wrecker or other MILLER products will be free from defects in material and workmanship for a period of twelve (12) months from date placed in service, but in no event shall such warranty period exceed twenty-four (24) months from date of manufacture by MILLER. The purchaser must promptly notify MILLER in writing of any failure in material or workmanship. In no event shall MILLER accept such notification later than twenty-four (24) months from date of delivery or twelve (12) months from date placed in service, whichever is earlier.

MILLER's obligation under this warranty, statutory or otherwise, is limited to the repair or replacement at the MILLER factory, or at a point designated by MILLER, of such part or parts as shall appear upon inspection by MILLER to be defective in material or workmanship. New or remanufactured parts will be used for any replacement at MILLER's option. This warranty is not transferable. This warranty does not obligate MILLER to bear the cost of labor or transportation charges in connection with the repair or replacement of any parts found to be defective, nor shall it apply to a product upon which repairs or alterations have been made unless authorized by MILLER.

EXCEPT AS EXPRESSLY SET FORTH IN THIS WARRANTY, MILLER MAKES NO OTHER WARRANTY, EXPRESS OR IMPLIED, AND HEREBY DISCLAIMS ALL OTHER WARRANTIES INCLUDING, BUT NOT LIMITED TO, THE IMPLIED WARRANTIES OF MERCHANTABILITY AND FITNESS FOR A PARTICULAR PURPOSE. MILLER shall in no event be liable for claimed downtime, claimed loss of profits or goodwill, or any other special, incidental, indirect, or consequential damages concerning or relating to any product or parts, whether based on negligence, strict liability, breach of contract, breach of warranty, misrepresentation or any other legal theory, regardless of whether the loss resulted from any general or particular requirement which MILLER knew or had reason to know about at the time of sale.

MILLER MAKES NO WARRANTY, EXPRESS OR IMPLIED, AS TO THE FINISHED PRODUCTS MANUFACTURED OR SUPPLIED BY ANOTHER MANUFACTURER AND SUPPLIED BY MILLER TO PURCHASER, including, but not limited to, any vehicle to which a MILLER product may be affixed or any accessories or wire rope, and MILLER EXPRESSLY DISCLAIMS ANY IMPLIED WARRANTIES OF MERCHANTABILITY OR FITNESS FOR A PARTICULAR PURPOSE AS TO SUCH EQUIPMENT OR PRODUCTS. This language shall in no way affect or diminish the rights of the purchaser to rely on such warranties as are extended by such manufacturers or suppliers. MILLER shall, to the extent permitted under applicable law, pass on to the purchaser such manufacturer's or seller's warranty.

MILLER, whose policy is one of continuous improvement, reserves the right to improve its products through changes in design or materials as it may deem desirable without being obligated to incorporate such changes in products previously sold. This warranty is not intended to cover or include the following items, which are set forth by way of example and not limitation:

- A. Normal deterioration of trim, paint, lettering, and appearance items due to wear or exposure to weather, road conditions, road treatments, etc.
- B. Any damage or defect due to accident, misuse, abuse, improper or unauthorized repairs, failure to provide reasonable and necessary maintenance, or uses for which the equipment was not designed or intended.
- C. Alterations or modifications that affect performance, operation or reliability.
- D. Normal maintenance parts including, but not limited to, wear pads, bushings, wire rope, mud flaps, fenderettes, light bulbs, hydraulic oil, filters, and tow sling belts.

IT IS EXPRESSLY UNDERSTOOD THAT MILLER MAKES NO IMPLIED WARRANTY THAT MILLER PRODUCTS SHALL BE FIT FOR THE PURPOSE OF LIFTING OR MOVING PEOPLE OR FOR ANY OTHER IMPROPER USE.



Miller Industries Towing Equipment Inc.
8503 Hilltop Drive
Ooltewah, Tennessee 37363
Telephone (423) 238-4171

SERIAL NUMBER

OWNER, USER AND OPERATOR:

We appreciate your choice of our towing and recovery unit for your application. Our number one priority is user safety which is best achieved by our joint efforts. We feel that you can make a major contribution to safety if you, as the equipment owner and operator:

1. **Comply with Federal, State, and Local Regulations.**
2. **Read, Understand, and Follow the Instructions in this Manual.**
3. **Use Good, Safe Work Practices in a Common Sense Way.**
4. **Only have Authorized and Trained Personnel performing maintenance on the Towing and Recovery Unit.**

TABLE OF CONTENTS

It is assumed by the manufacturer that the Owner/Operator has a thorough knowledge of the accepted and lawful retrieval and towing methods as dictated by his city, county or state. The manufacturer rejects any liability claim that may result from the incorrect or unlawful application of its equipment.

Section I - PARTS

SUBFRAME ASSEMBLY	I-2 thru I-5
BODY ASSEMBLY	I-6 & I-7
BOOM ASSEMBLY	I-8 thru I-11
UNDERLIFT & TOWER ASSEMBLY	I-12 thru I-15
BOOM HYDRAULICS	I-16 & I-17
UNDERLIFT HYDRAULICS	I-18 & I-19
PUMP, VALVE & FILTER HYDRAULICS	I-20 & I-21
WINCH HYDRAULICS	I-22 & I-23
SPADE HYDRAULICS	I-24 & I-25
CONTROL LINK KIT	I-26 & I-27
LEFT CONTROL ASSEMBLY	I-28 & I-29
RIGHT CONTROL ASSEMBLY	I-30 & I-31
PARTS LIST 9055 3-STAGE BOOM 2-SPEED	I-32 thru I-45
PARTS LIST 9055 3-STAGE BOOM 2-SPEED W/ LOWRIDER	I-46

Section I - PARTS

This Section is provided by the manufacturer for the purpose of ordering any component part of the **Century 9055** that may be required when part replacement is necessary. Be certain to use only original equipment replacement parts for warranty purposes as well as for keeping your unit in its original state and optimum operating capacities.

When ordering replacement or spare parts be sure to provide the following information to the manufacturer's **Parts Department**.

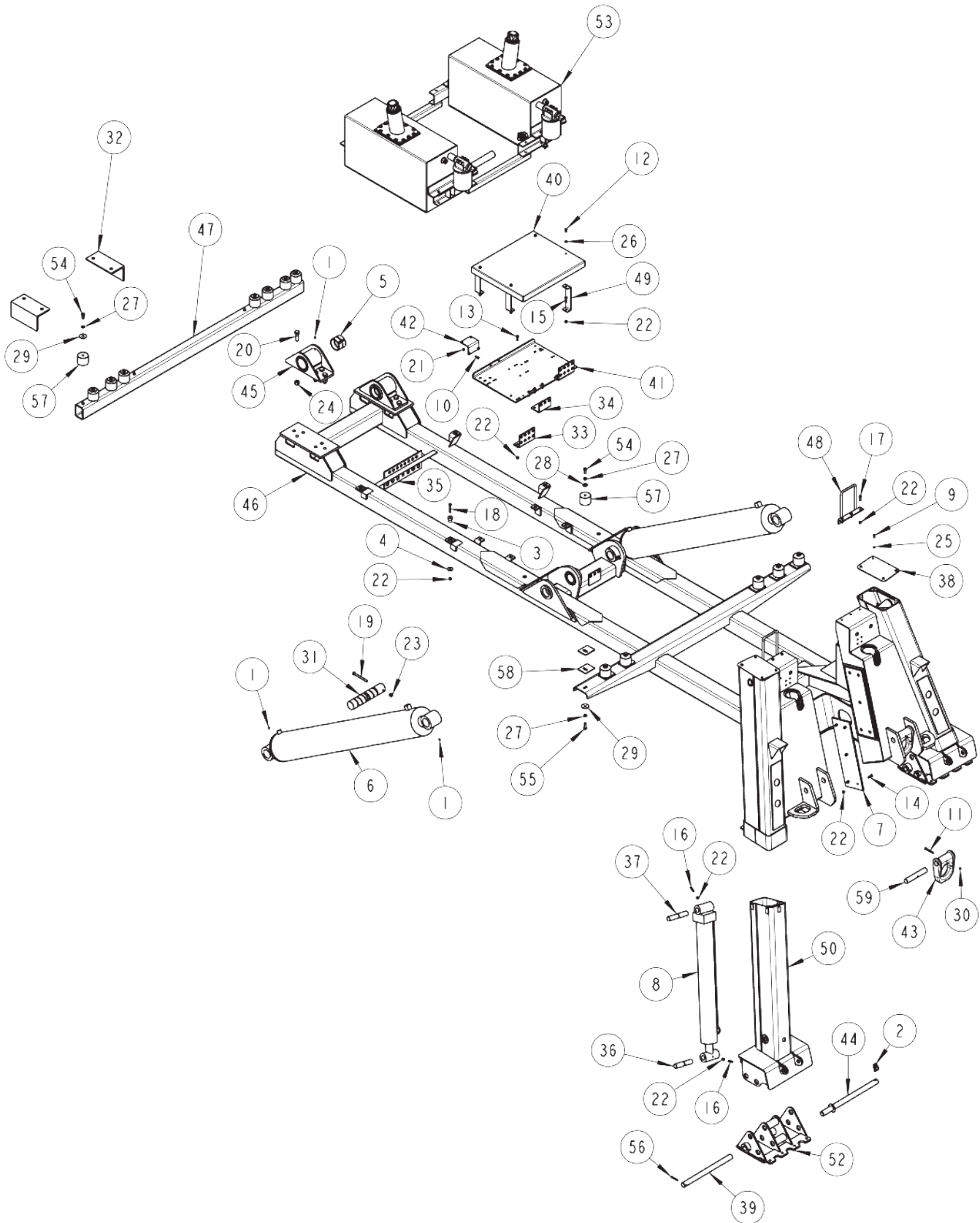
1. **Manual Number & Date of Publication**
2. **Manual Page Number**
3. **Page Title**
4. **Reference Number of Part Desired**
5. **Part Number**
6. **Part Description**
7. **Quantity of Part Desired**

Providing this information will help ensure that the correct parts will be delivered to you in an expedient manner without delay. Should additional information be required for repair or replacement of certain components, contact your Wrecker Manufacturer Authorized Representative.

The Manufacturer reserves the right, without notice or obligation, to improve or modify their products, which may change the specifications, models and feature availability.

Section I - PARTS (cont'd)

SUBFRAME ASSEMBLY

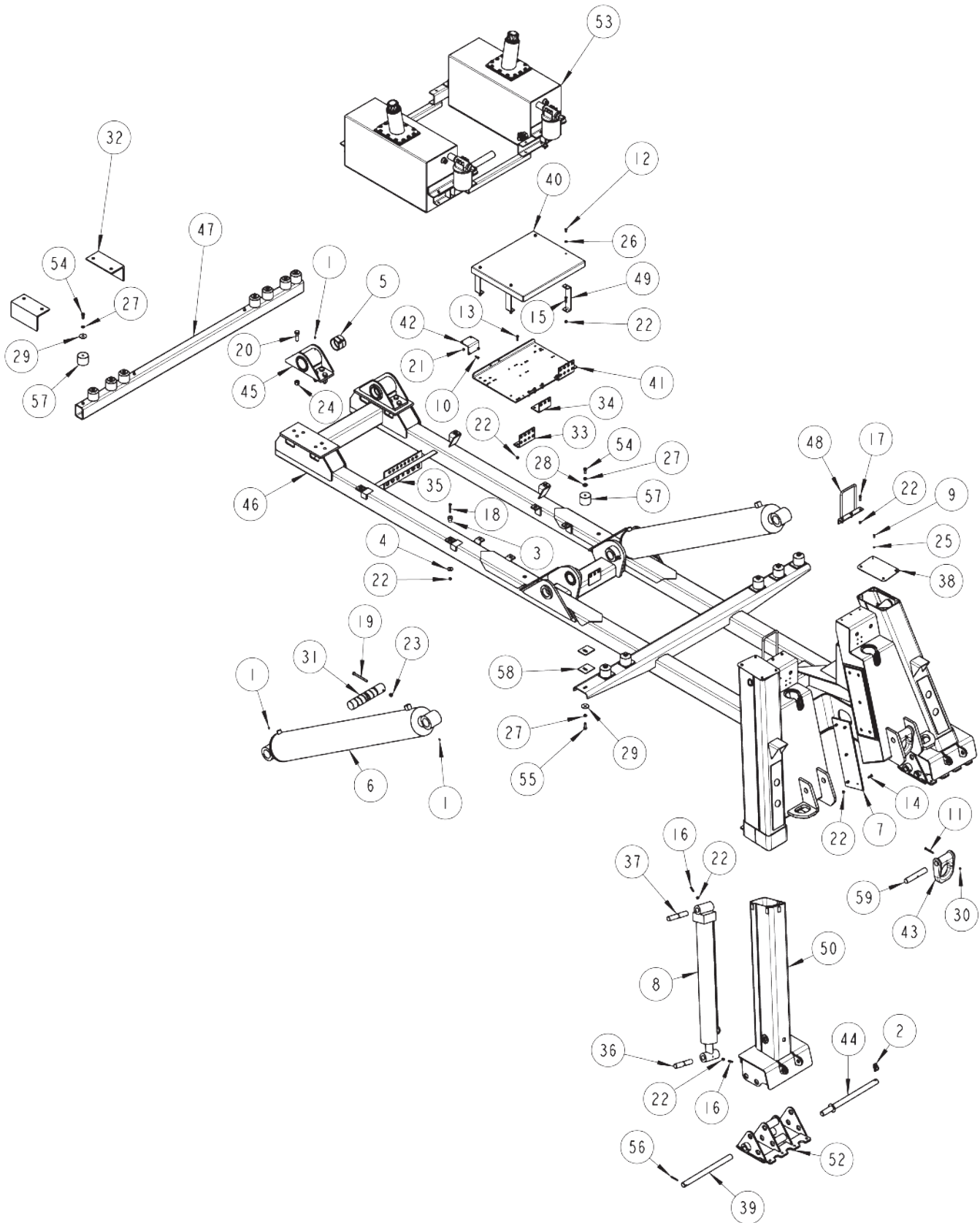


Section I - PARTS (cont'd)

SUBFRAME ASSEMBLY

ITEM	PART NUMBER	DESCRIPTION	QTY
1	0300113	GREASE FITTING, 1/4-28 STRAIGHT	8
2	0301861	QUICK PIN	2
3	0302227	CENTER BONDED MOUNT	4
4	0302228	SPECIAL WASHER	4
5	0302538	SPRING BUSHING, 3.5OD X 3ID X 2.5	2
6	0302792	HYD CYLINDER	2
7	0303089	RAMP PAD	2
8	0307843	CYLINDER - 4" BORE 30" STROKE	2
9	0400066	1/4-20 X 3/4 HHCS GR.5,ZP	8
10	0400109	5/16-18 X 1 HHCS GR.5,ZP	2
11	0400114	5/16-18 X 3 HHCS GR 5 ZP	2
12	0400121	3/8-16NC X 3/4 HHCS GR. B	4
13	0400122	3/8-16 X 1 1/4 HHCS GR.5,ZP	14
14	0400128	3/8-16X1.25 FLAT HD SOC	10
15	0400132	3/8-16 X 1 1/2 HHCS GR.5,ZP	4
16	0400139	SCREW, 3/8"-16 X 1-1/2" HEX SKT SET	4
17	0400148	3/8-16 X 1-1/4 HHCS GR5 ZP	6
18	0400150	3/8-16 X 2-1/2 HHCS GR5 ZP	4
19	0400206	1/2-13 X 5 HHCS GR.5, ZP	2
20	0400288	3/4-10 X 2-1/2 HHCS GR.8 GOLD	12
21	0400382	5/16-18 NYLOCK HEX NUT ZP	2
22	0400392	3/8-16 NYLOCK HEX NUT ZP	42
23	0400408	1/2-13 NYLOCK HEX NUT ZP	2
24	0400431	3/4-10 NYLOCK HEX NUT GR.8, ZP	12
25	0400452	1/4 HELICAL LOCK WASHER ZP	8
26	0400482	3/8 HELICAL LOCK WASHER ZP	4
27	0400491	1/2 HELICAL LOCK WASHER ZP	20
28	0400497	1/2 FLAT WASHER GR.8,YZ PLATED	6
29	0400498	WASHER, 1/2' ID X 2" OD X .150	14
30	0400776	HEX NUT	2

Section I - PARTS (cont'd)
SUBFRAME ASSEMBLY (cont'd)



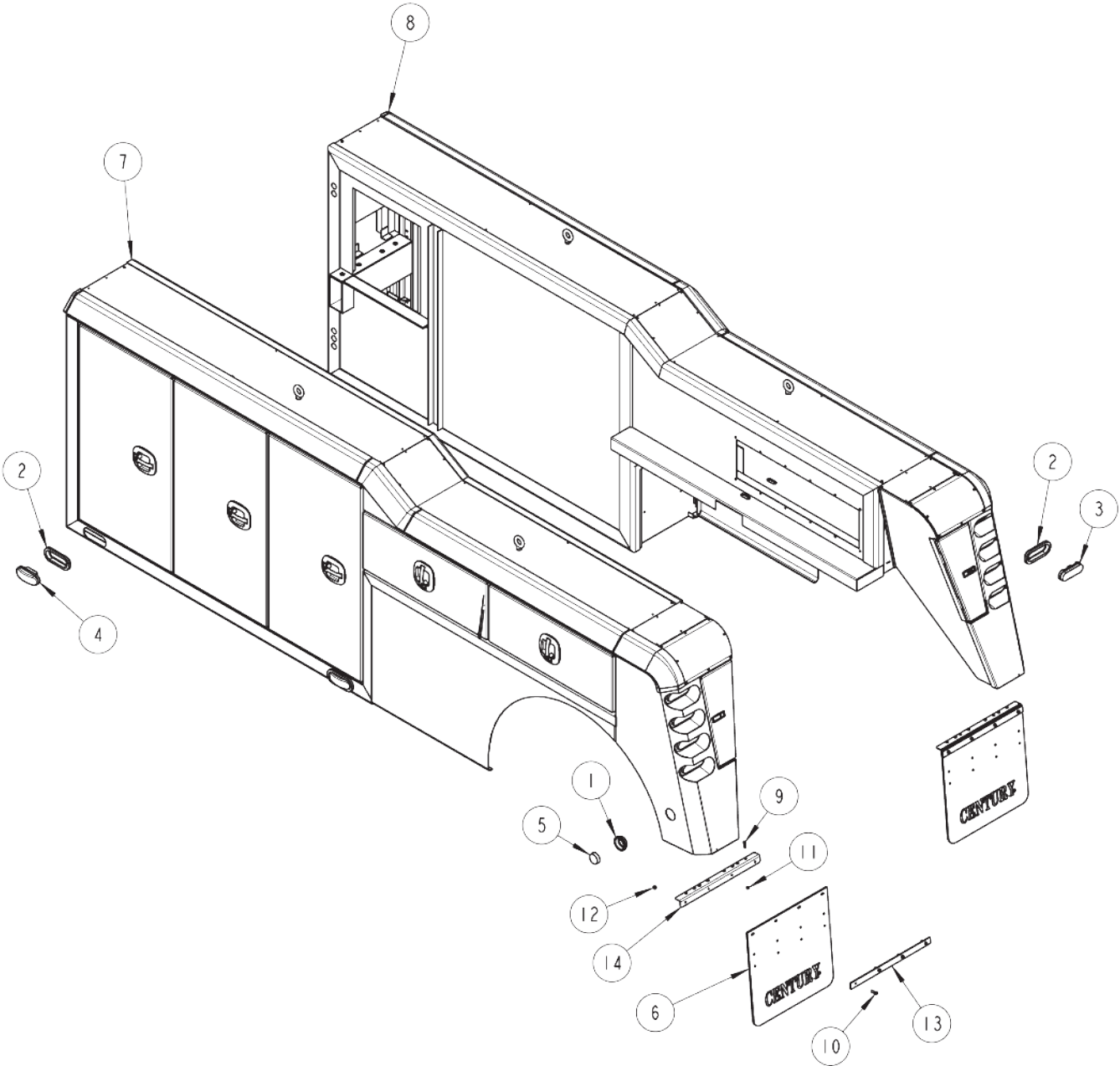
Section I - PARTS (cont'd)

SUBFRAME ASSEMBLY (cont'd)

ITEM	PART NUMBER	DESCRIPTION	QTY
31	0708094	PIN - LIFT CYLINDER	2
32	0710545	HR ANGLE	2
33	0711249	PLATE - CONTROL BOX	2
34	0711250	PLATE - CONTROL BOX	1
35	0711287	PLATE - BULKHEAD MOUNTING	1
36	0713128	SHAFT - LOWER SPADE	2
37	0713129	SHAFT - UPPER SPADE	2
38	0715584	COVER PLATE	2
39	0715694	PIN - SPADE PIVOT	2
40	0717066	COVER - VALVE	1
41	0717827	PLATE - VALVE MOUNTING	1
42	0719122	PLATE - VALVE MTG.	1
43	0719585	"D" RING - TOWING	2
44	0804334	PIN, MULTI-POSITION	2
45	0804405	BOOM PIVOT BRKT	2
46	0806001	SUBFRAME WELDMENT	1
47	0806004	FRONT TOOLBOX MOUNT	1
48	0806521	HAND RAIL WLMT	2
49	0807181	COVER SUPPORT WLMT	4
50	0807627	INNER SPADE WLMT (LH)	1
51	0807628	INNER SPADE WLMT (RH)	1
52	0807630	LOWER SPADE PAD WELDMENT	2
53	0907802	KIT - RESERVOIR	1
54	9041402	1/2-13NC X 1 1/4 HHCS, ZP,GR.8	14
55	9041403	1/2-13 X 1-1/2 HHCS GR 8 ZP	6
56	9046354	1/4 X 2-1/2 ROLL PIN ZP	2
57	9402970	TOOLBOX MTG. PAD	14
58	942480011	REAR WASHER PLATE	12
59	GA0215	PIN, D RING	2

Section I - PARTS (cont'd)

BODY ASSEMBLY



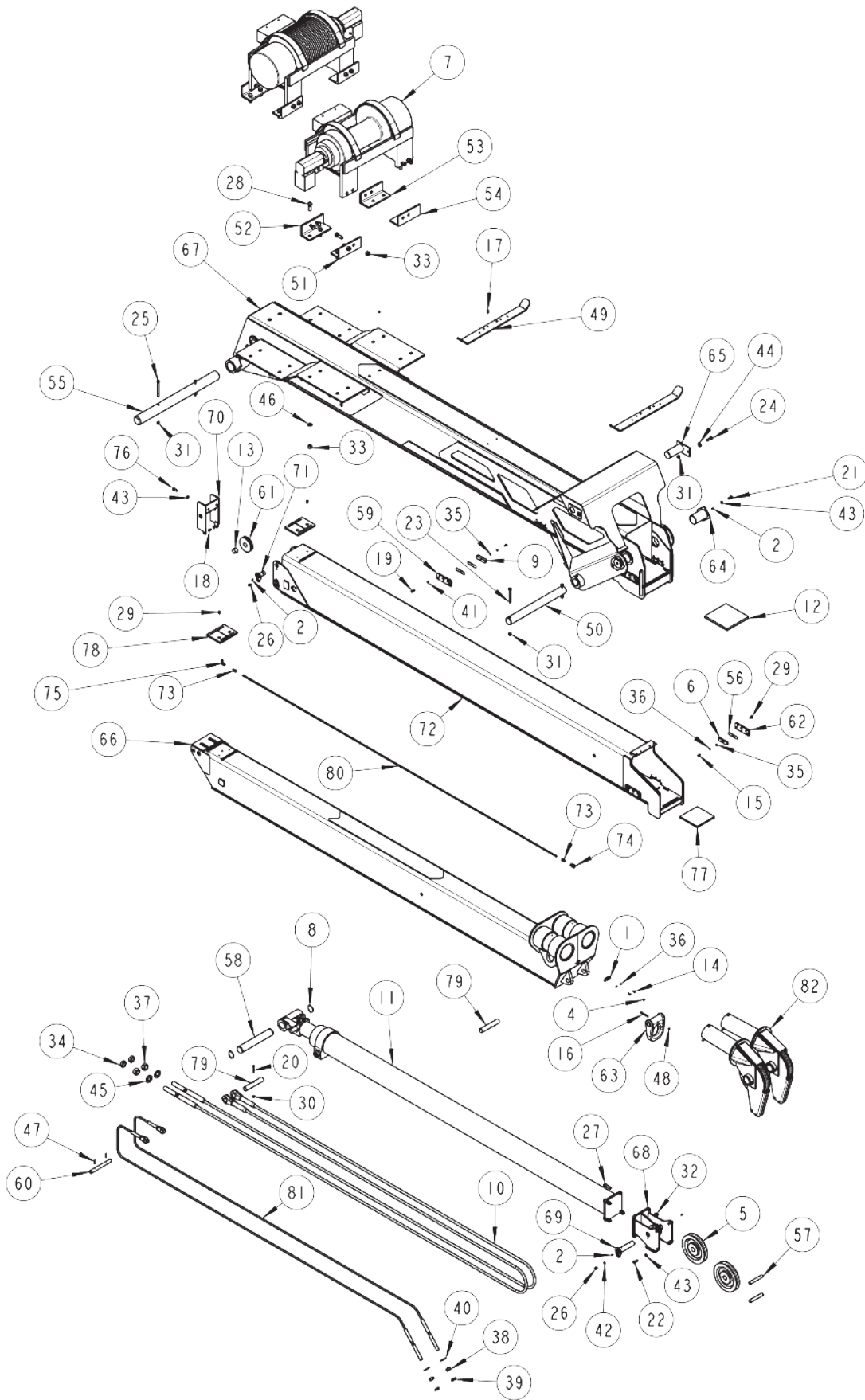
Section I - PARTS (cont'd)

BODY ASSEMBLY

ITEM	PART NUMBER	DESCRIPTION	QTY
1	0303127	GROMMET, MARKER LIGHT	2
2	0303128	GROMMET, TAIL LIGHT	12
3	0306958	LIGHT OVAL AMBER 60 LED	8
4	0307220	LIGHT OVAL AMBER 60 LED	4
5	0310496	MARKER LAMP, RED 2-1/2" ROUND	2
6	0310631	MUD FLAP	2
7	0310975	TOOLBOX LH AL 156CA 2010	1
8	0310976	TOOLBOX RH AL 156CA 2010	1
9	0400103	5/16-18 X 1 1/4 HHCS GR.5, ZP	16
10	0400148	3/8-16 X 1-1/4 HHCS GR5 ZP	8
11	0400382	5/16-18 NYLOCK HEX NUT ZP	16
12	0400392	3/8-16 NYLOCK HEX NUT ZP	8
13	0717386	BAR - MUDFLAP	2
14	0718139	ANGLE - MUD FLAP MOUNT	2

Section I - PARTS (cont'd)

BOOM ASSEMBLY



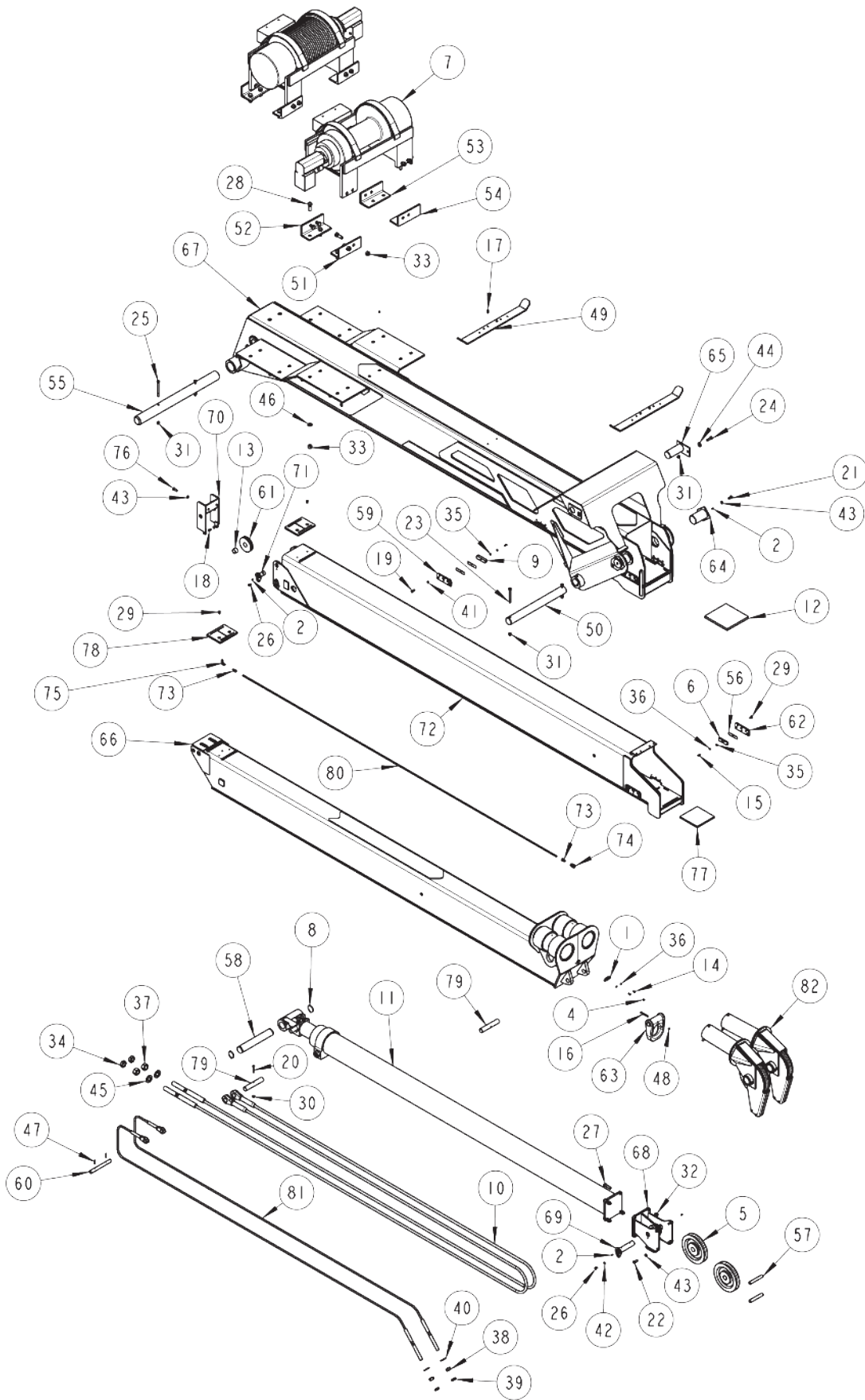
Section I - PARTS (cont'd)

BOOM ASSEMBLY

ITEM	PART NUMBER	DESCRIPTION	QTY
1	3012-793001	PLATE - LUBE MOUNT	1
2	0300113	GREASE FITTING, 1/4-28 STRAIGHT	10
3	0301388	ELBOW, 8MJ-8MB90	2
4	0301895	GREASE FITTING, 1/8 NPT STRAIGHT	1
5	0303441	SHEAVE, 10"	2
6	0303490	WEAR PAD (1/2 X 1 X 4)	2
7	0303505	WINCH, DP MODEL S50-50K	1
8	0305023	SNAP RING 5100-0225PP	2
9	0306825	PAD - WEAR	4
10	0307160	CABLE - EXT ASSY 3-STAGE BOOM	2
11	0307402	CYLINDER - BOOM EXTEND	1
12	0307406	SLIDE PAD	1
13	0307432	BUSHING - BRONZE	4
14	0400059	1/4-20 X 5/8 HHCS GR 5 ZP	2
15	0400066	1/4-20 X 3/4 HHCS GR.5,ZP	6
16	0400114	5/16-18 X 3 HHCS GR 5 ZP	1
17	0400118	5/16-18 X 3/4 HHCS GR.5 ZP	4
18	0400121	3/8-16NC X 3/4 HHCS GR. B	2
19	0400126	3/8-16 X 1 HHCS GR.5,ZP	20
20	0400146	3/8-16 X 2-1/4 HHCS GR.5 ZP	1
21	0400176	1/2-13 X 1 HHCS GR.5,ZP	2
22	0400177	1/2-13 X 1 1/4 HHCS GR. 5, ZP	4
23	0400206	1/2-13 X 5 HHCS GR.5, ZP	2
24	0400211	1/2-13 X 1-3/4 HHCS GR5 ZP	2
25	0400220	1/2-13 X 5-1/2 HHCS GR5 ZP	2
26	0400223	3/8-16 X 3/4 FL. HD. SOCKET SCREW	5
27	0400264	5/8-11 X 2-1/4 HHCS GR5 ZP	4
28	0400284	3/4-10 X 2-1/2 HHCS GR.8 GOLD	32
29	0400349	SCREW, 3/8"-16 X 3/4" FL HD SKT	14
30	0400390	3/8-16 HEX JAM NUT W/PELL	1
31	0400408	1/2-13 NYLOCK HEX NUT ZP	6
32	0400421	5/8-11 NYLOCK HEX NUT ZP	4
33	0400430	3/4-10 NYLOCK HEX NUT ZP	32
34	0400448	1-1/4-12 HEX JAM NUT	2
35	0400451	1/4 FLAT WASHER ZP	6
36	0400452	1/4 HELICAL LOCK WASHER ZP	8
37	0400461	1-1/4-12 NEX NUT GR8 ZP	2
38	0400471	7/8-14 UNF HEX NUT	2
39	0400472	7/8-14 UNF HEX NUT JAM	2
40	0400473	7/8 FLATWASHER HARDENED	2
41	0400482	3/8 HELICAL LOCK WASHER ZP	22

Section I - PARTS (cont'd)

BOOM ASSEMBLY (cont'd)



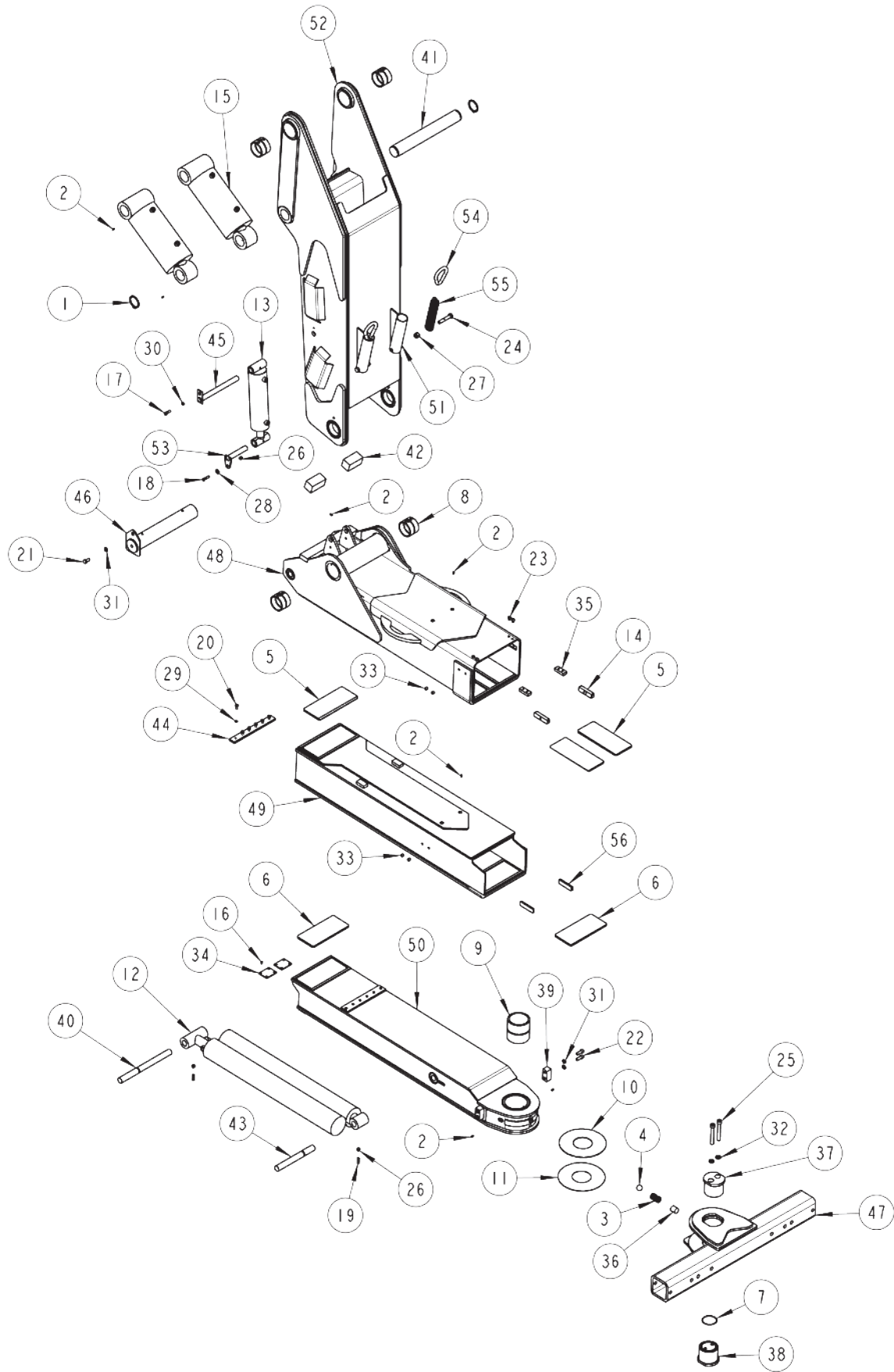
Section I - PARTS (cont'd)

BOOM ASSEMBLY (cont'd)

ITEM	PART NUMBER	DESCRIPTION	QTY
42	0400483	LOCKWASHER, 3/8" COUNTERSUNK	1
43	0400491	1/2 HELICAL LOCK WASHER ZP	8
44	0400492	1/2 FLAT WASHER ZP	2
45	0400501	WASH - SAE 1 1/4 HARDENED PL	2
46	0400510	3/4 FLAT WASHER ZP	16
47	0400587	1/4 X 1-1/2 ROLL PIN ZP	2
48	0400776	HEX NUT	1
49	0705104	PLATE - SUPPORT	2
50	0708124	PIN-TILT CYL BASE	1
51	0709702	HR ANGLE	2
52	0709703	HR ANGLE	2
53	0709704	HR ANGLE	2
54	0709705	HR ANGLE	2
55	0715953	PIN - BOOM PIVOT	1
56	0717262	SHIM - SLIDE PAD	10
57	0717743	ROD - EXTEND SHEAVE SPACER	2
58	0717744	PIN - EXTEND CYLINDER	1
59	0717746	PLATE - SLIDE PAD SUPPORT	4
60	0717747	PIN - CABLE RETRACT	1
61	0717909	SHEAVE - 5 " DIA RETRACT	4
62	0718134	PLATE - SLIDE PAD SUPPORT	2
63	0719585	"D" RING - TOWING	1
64	0802460	TOWER PIVOT PIN WLDMT	2
65	0802463	LIFT CYL PIN WELDMT	2
66	0806712	INNER BOOM TUBE WLMT	1
67	0806716	9055 OUTER BOOM WLD (3-STAGE)	1
68	0806721	EXTEND SHEAVE BRACKET WELDMENT	1
69	0806722	SHAFT, EXTENSION SHEAVE WELDMENT	1
70	0806751	RETRACT SHEAVE SUPPORT WLD	1
71	0806752	SHAFT - RETRACT SHEAVE WELDMENT	4
72	0806824	INNER BOOM TUBE WLMT	1
73	9012549	CONNECTOR, 3/8 TUBE X 1/8 NPT	2
74	9012552	BULKHEAD COUPLING, 1/8	1
75	9012584	ELBOW, 1/4 NPT X 3/8 TUBE 90	1
76	9041402	1/2-13NC X 1 1/4 HHCS, ZP,GR.8	2
77	916040004	WEAR PAD ~ LOWER	1
78	946030004	UPPER WEAR PAD - RECOVERY	2
79	GA0215	PIN, D RING	2
80	0301949	3/8" OD AIRLINE, SYNDFLEX	1
81	0307403	CABLE - EXT. ASSEMBLY 3-STAGE	2
82	0906535	SWIVEL ASSEMBLY	2

Section I - PARTS (cont'd)

UNDERLIFT & TOWER ASSEMBLY



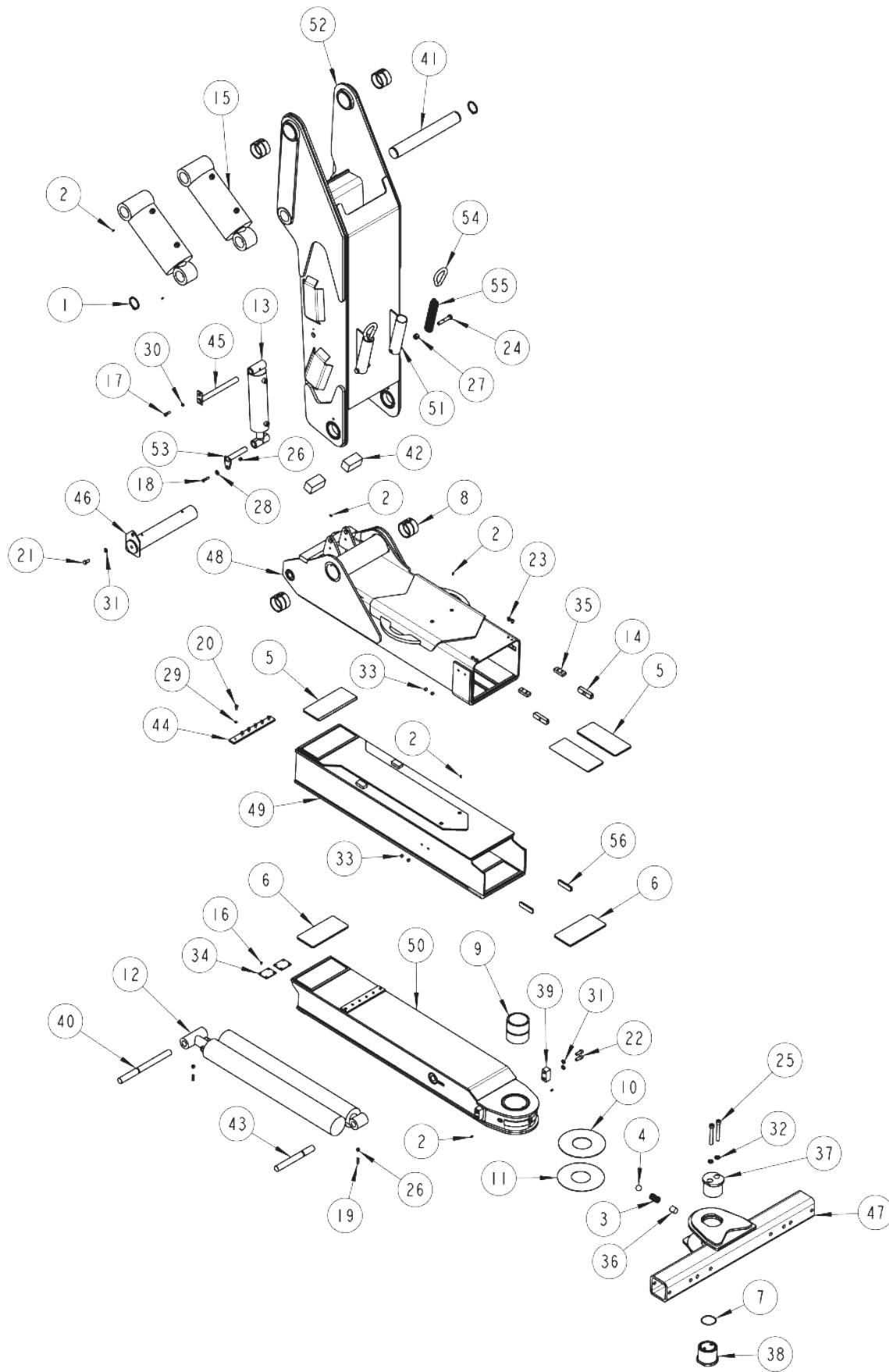
Section I - PARTS (cont'd)

UNDERLIFT & TOWER ASSEMBLY

ITEM	PART NUMBER	DESCRIPTION	QTY
1	0300108	RETAINING RING	2
2	0300113	GREASE FITTING, 1/4-28 STRAIGHT	12
3	0301197	DETENT SPRING	1
4	0301398	DETENT BALL	1
5	0301817	SLIDE PAD, HORIZ BOOM	3
6	0301818	SLIDE PAD, HORIZ BOOM	2
7	0301822	O-RING, PIVOT PIN	1
8	0302538	SPRING BUSHING, 3.5OD X 3ID X 2.5	4
9	0303088	BUSHING, PIVOT PIN	1
10	0303097	THRUST WASHER, 1/8" THICK	1
11	0303098	THRUST WASHER, 1/16" THICK	1
12	0303501	HYD CYLINDER, EXT	1
13	0306746	CYLINDER, HYD LIFT	1
14	0306825	PAD - WEAR	2
15	0307105	CYLINDER, HYDRAULIC	2
16	0400044	DRIVE SCREW, #10-24 X 1/2" RD HD	8
17	0400122	3/8-16 X 1 1/4 HHCS GR.5,ZP	1
18	0400132	3/8-16 X 1 1/2 HHCS GR.5,ZP	1
19	0400139	SCREW, 3/8"-16 X 1-1/2" HEX SKT SET	2
20	0400151	3/8-24 X 3/4 HHCS GR5 ZP	6
21	0400176	1/2-13 X 1 HHCS GR.5,ZP	1
22	0400196	SCREW, 1/2"-13 X 1-1/4" SKT HD	4
23	0400228	SCREW, 3/8"-24 X 5/8" BUTTON HEAD SKT	4
24	0400257	5/8-11 X 3-1/4 HHCS GR5 ZP	2
25	0400271	SCREW, 5/8"-11 X 4-1/2" SKT HD CAP	2
26	0400392	3/8-16 NYLOCK HEX NUT ZP	3
27	0400421	5/8-11 NYLOCK HEX NUT ZP	2
28	0400480	3/8 FLAT WASHER ZP	1

Section I - PARTS (cont'd)

UNDERLIFT & TOWER ASSEMBLY (cont'd)



Section I - PARTS (cont'd)

UNDERLIFT & TOWER ASSEMBLY (cont'd)

ITEM	PART NUMBER	DESCRIPTION	QTY
29	0400481	LOCKWASHER, 3/8" EXT TOOTH	6
30	0400482	3/8 HELICAL LOCK WASHER ZP	1
31	0400491	1/2 HELICAL LOCK WASHER ZP	5
32	0400508	5/8 HELICAL LOCK WASHER ZP	2
33	0400990	1/2-13 X 1/2 SKT HD SET SCREW ZP	8
34	0703277	SLIDER PAD	2
35	0707034	STOP PLATE	2
36	0708470	SPACER - DETENT BALL	1
37	0710051	PIVOT PIN, TOP HALF	1
38	0710052	PIVOT PIN, BOTTOM HALF	1
39	0710450	BAR, RETRACT	2
40	0712195	SHAFT, EXTEND CYL	1
41	0717095	SHAFT	1
42	0717851	STOP BLOCK	2
43	0718764	SHAFT, EXT CYLINDER	1
44	0719515	PLATE, STOP	1
45	0802459	PIN-FOLD CYL. WLDMT	1
46	0802461	PIN - UNDERLIFT PIVOT WELDMENT	1
47	0802914	CROSSBAR WELDMENT	1
48	0803440	OUTER BOOM WLMT.	1
49	0803441	BOOM, 2ND STAGE WELDMENT	1
50	0803442	BOOM, U/L INNER WELDMENT	1
51	0804483	CABLE TIE BACK WLMT	2
52	0805960	TOWER WELDMENT - 9055	1
53	0806756	PIN WELDMENT - FOLD CYLINDER	1
54	9048800	5/8 WELDLESS CHAIN LINK	2
55	945030007	SPRING - HOSE TENSIONER	2
56	BK2003	PAD-WEAR	2

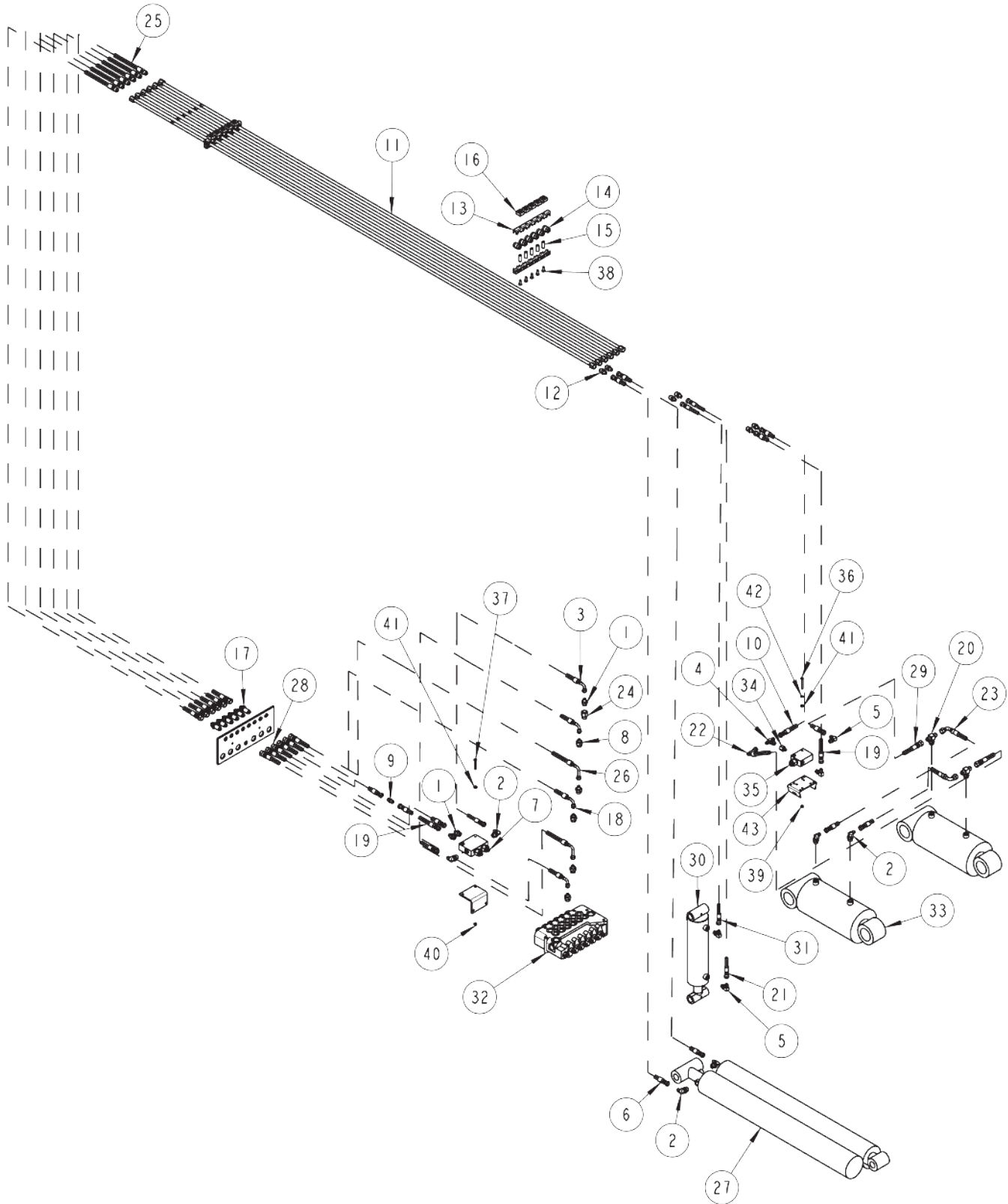
Section I - PARTS (cont'd)

BOOM HYDRAULICS

ITEM	PART NUMBER	DESCRIPTION	QTY
1	0300041	CONNECTOR 8MJX8MB	2
2	0300644	HOSE CLAMP, 8"	2
3	0300657	HOSE ASSEMBLY, 46" LG	2
4	0300659	HOSE ASSEMBLY, 45" LG	2
5	0301376	CONNECTOR 8MJX10MB	4
6	0301388	ELBOW, 8MJ-8MB90	4
7	0301529	HOSE ASSEMBLY - 58 LG.	2
8	0302275	CONNECTOR 8MJX6MB	2
9	0302276	ELBOW, 8MJ-6MB90	4
10	0302296	VALVE, 3 SPOOL	1
11	0302568	HYDRAULIC TUBING	2
12	0302574	FITTING - BULKHEAD - RUN TEE W/NUT	2
13	0302576	FITTING, BULKHEAD UNION	2
14	0302792	HYD CYLINDER	2
15	0302796	BRANCH TEE, 8MJ-8MJ-8FJX	2
16	0303346	HOSE ASSEMBLY, 45" LG.	1
17	0303347	HOSE ASSEMBLY, 50" LG	1
18	0303354	HOSE ASSEMBLY, 33" LG	1
19	0303355	HOSE ASSEMBLY, 45" LG.	1
20	0307062	VALVE, 6 SPOOL VDP12-CDDD	1
21	0307107	VALVE HOLDING 4000 PSI SAE	2
22	0307402	CYLINDER - BOOM EXTEND	1
23	0307613	HYDRAULIC TUBING ASSY - 1/2" DIA	2
24	0400078	1/4-20 X 2 HHCS GR5 ZP	4
25	0400367	1/4-20 NYLOCK HEX NUT ZP	4
26	0400451	1/4 FLAT WASHER ZP	4
27	0703001	BRACKET - MOUNTING	2

Section I - PARTS (cont'd)

UNDERLIFT HYDRAULICS



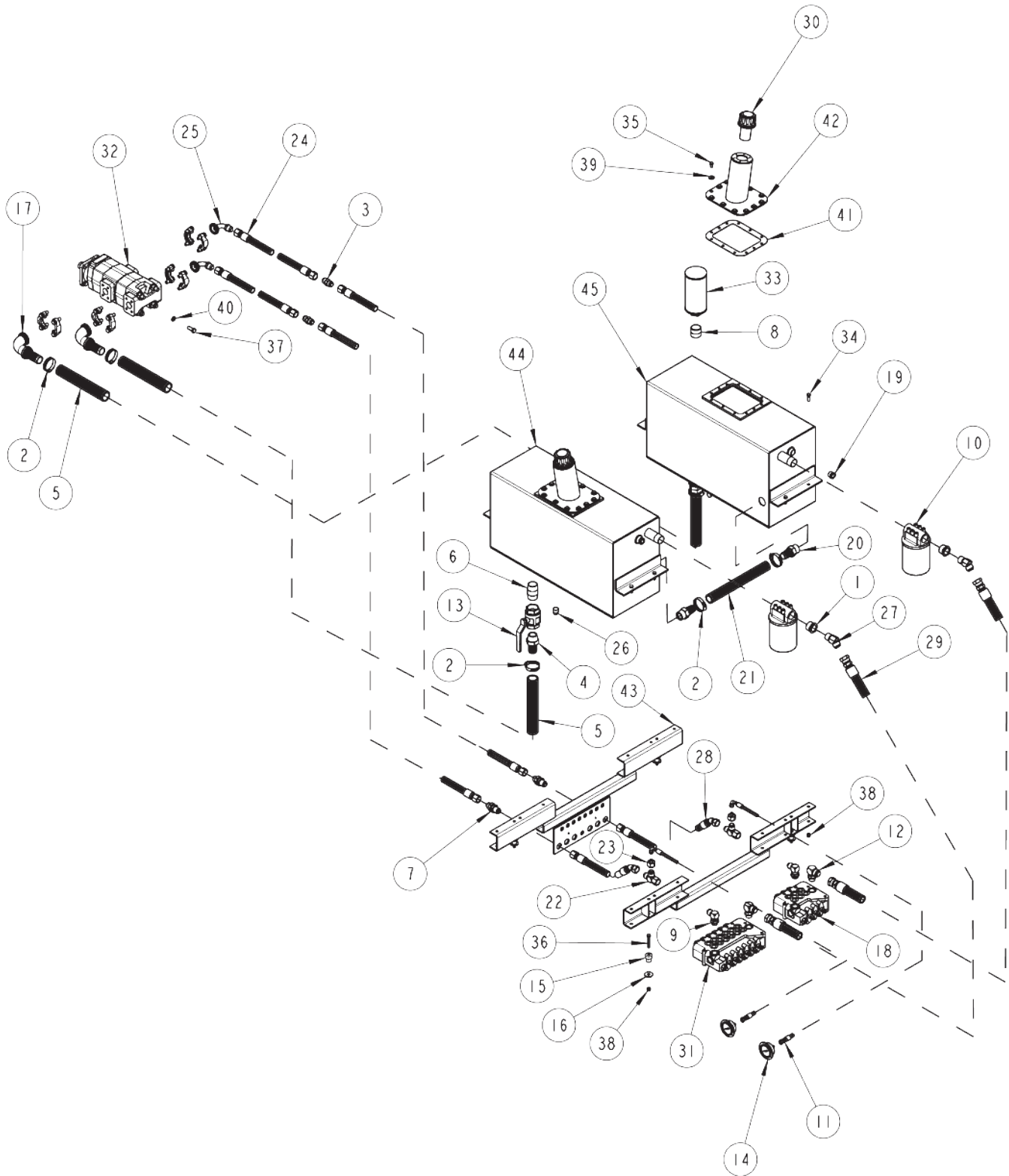
Section I - PARTS (cont'd)

UNDERLIFT HYDRAULICS

ITEM	PART NUMBER	DESCRIPTION	QTY
1	0300044	CONNECTOR 6MJX8MB	3
2	0301470	ELBOW, 6MJ-8MB90	6
3	0301473	HOSE ASSEMBLY, 18" LG	2
4	0301619	BRANCH TEE, 6MJ-6MJ-6MB	1
5	0301620	FITTING, ELBOW, 6MJ-6MB90	4
6	0301662	HOSE ASSEMBLY, 120" LG	2
7	0301730	DOUBLE HOLDING VALVE	1
8	0301778	CONNECTOR 6MJX10MB	5
9	0301837	INLINE ORIFICE	1
10	0302035	HOSE ASSEMBLY, 18" LG	1
11	0302504	TUBE ASSEMBLY	6
12	0302514	ADAPTER, 8MJ-6MJ	6
13	0302548	CLAMPING UNIT (SET) HC-10-6	4
14	0302549	SPLIT BUSH RUBBER C-SB10-8 1/2	12
15	0302551	SOCKET HEAD C-SN-10	10
16	0302552	WELD ADAPTER, C-WA-10	10
17	0302576	FITTING, BULKHEAD UNION	6
18	0302584	HOSE ASSEMBLY, 50" LG.	2
19	0302805	HOSE ASSY - 10" LG	2
20	0302842	ELBOW, 8MJ-8MB90	2
21	0302911	HOSE ASSEMBLY, 88" LG	1
22	0302914	HOSE ASSEMBLY, 35" LG	1
23	0302915	HOSE ASSEMBLY, 12" LG	2
24	0303176	CONNECTOR 10MPX8FB	1
25	0303342	HOSE ASSEMBLY, 30" LG	6
26	0303348	HOSE ASSEMBLY, 48" LG	2
27	0303501	HYD CYLINDER, EXT	1
28	0303562	HOSE ASSEMBLY, 37" LG	1
29	0303563	HOSE ASSEMBLY, 27" LG	2
30	0306746	CYLINDER, HYD LIFT	1
31	0306870	HOSE ASSEMBLY, 96" LG	1
32	0307062	VALVE, 6 SPOOL VDP12-CDDD	1
33	0307105	CYLINDER, HYDRAULIC	2
34	0307106	CONNECTOR 4MBX6FB	1
35	0307107	VALVE HOLDING 4000 PSI SAE	1
36	0400064	SCREW, 1/4"-20 X 2 1/4" RD HD PHIL SS	2
37	0400078	1/4-20 X 2 HHCS GR5 ZP	2
38	0400118	5/16-18 X 3/4 HHCS GR.5 ZP	10
39	0400366	1/4-20 HEX NUT ZP	2
40	0400367	1/4-20 NYLOCK HEX NUT ZP	2
41	0400451	1/4 FLAT WASHER ZP	4
42	0400452	1/4 HELICAL LOCK WASHER ZP	2
43	0703001	BRACKET - MOUNTING	1

Section I - PARTS (cont'd)

PUMP, VALVE & FILTER HYDRAULICS



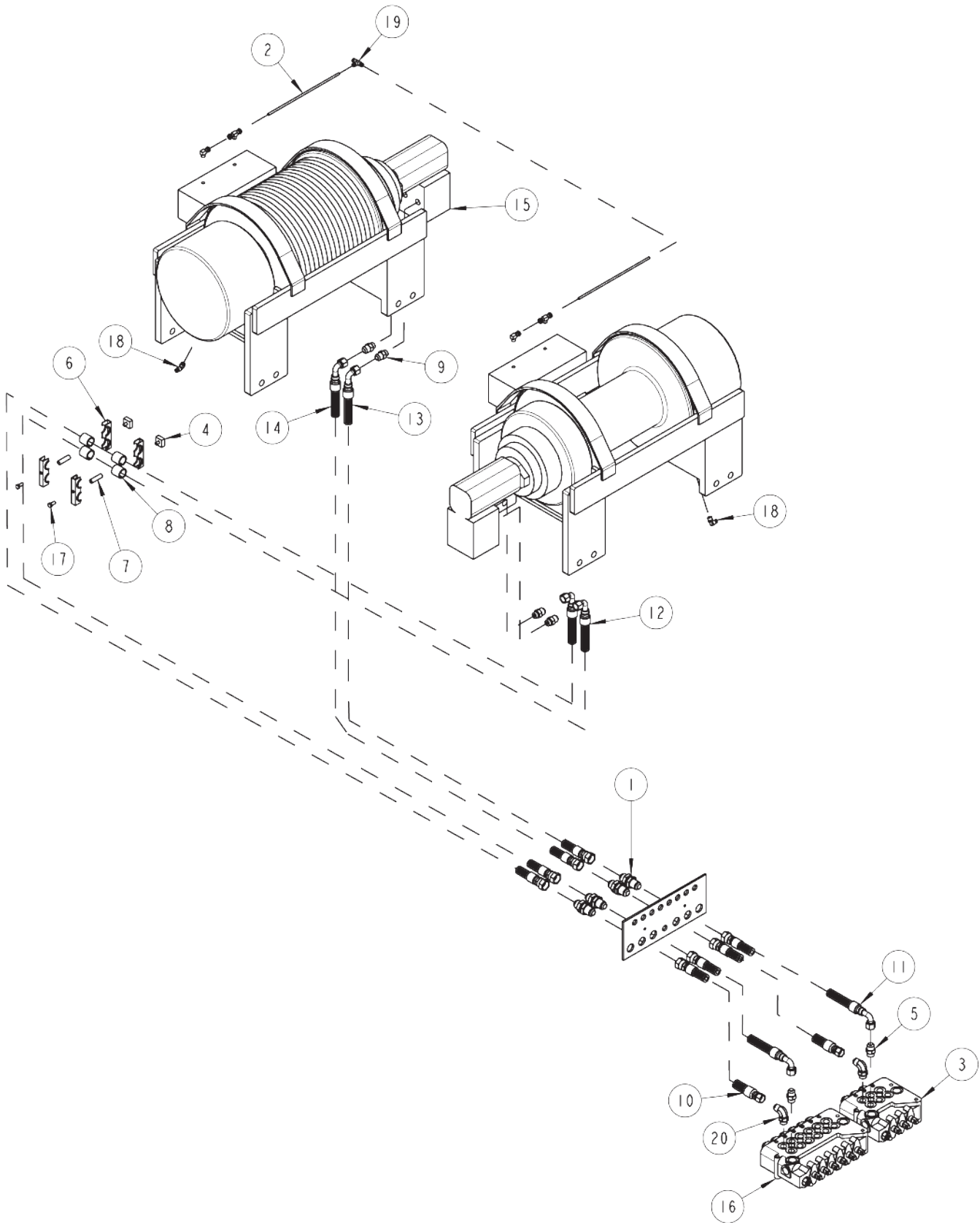
Section I - PARTS (cont'd)

PUMP, VALVE & FILTER HYDRAULICS

ITEM	PART NUMBER	DESCRIPTION	QTY
1	0300287	PIPE BUSHING, 1 1/4" TO 1" NPT REDUCER	2
2	0300364	HOSE CLAMP, 7/8" TO 2-3/4"	6
3	0300649	CONNECTOR, 12MJ-12MJ	2
4	0300666	BARB, 24C4-24MP	2
5	0300671	SUCTION HOSE, 1-1/2" I.D. 100R4	4
6	0300891	PIPE NIPPLE - 1-1/2 X 3	2
7	0301093	BULKHEAD UNION, 3/4" JIC	2
8	0301350	PIPE, 1-1/2" CLOSE NIPPLE	2
9	0301545	ELBOW, 12MJ-12MB90	2
10	0301894	FILTER ASSEMBLY, SPIN ON	2
11	0301965	HOSE ASSEMBLY, 131" LG.	2
12	0302083	16MJ - 12MB 90 ELBOW	2
13	0302088	BALL VALVE - 1 1/2 BRONZE	2
14	0302205	GAUGE, FLUSH MOUNT 6000 PSI	2
15	0302227	CENTER BONDED MOUNT	4
16	0302228	SPECIAL WASHER	4
17	0302242	ELBOW, FLANGE 24-24FL90 W/ FLANGE KIT	2
18	0302296	VALVE, 3 SPOOL	1
19	0302570	SIGHT GAUGE	2
20	0302698	HOSE BARB, 1-1/4"	2
21	0302756	SUCTION HOSE, 1-1/4" ID (100R4)	1
22	0302826	RUN TEE, 12MJ-12FJX-12MJ	2
23	0302829	ADAPTER, 12FJ-6MJ	2
24	0302901	HOSE - HYD ASSY 120" LG	2
25	0302932	FITTING ~ 12MJ-20FL 90	2
26	0303155	PIPE PLUG - 3/4 NPT (MAGNETIC)	2
27	0303338	ELBOW, 16MJ-16MP45	2
28	0303339	HOSE ASSEMBLY, 45" LG.	2
29	0303341	HOSE ASSEMBLY, 31" LG.	2
30	0305006	FILLER CAP	2
31	0307062	VALVE, 6 SPOOL VDP12-CDDD	1
32	0307119	HYDR. PUMP - P350B242JEAB20-7MHAB20-1	1
33	0307344	SUCTION STRAINERS	2
34	0400122	3/8-16 X 1 1/4 HHCS GR.5,ZP	8
35	0400149	3/8-16 X 5/8 HHCS GR5 ZP	24
36	0400150	3/8-16 X 2-1/2 HHCS GR5 ZP	4
37	0400177	1/2-13 X 1 1/4 HHCS GR. 5, ZP	4
38	0400392	3/8-16 NYLOCK HEX NUT ZP	12
39	0400480	3/8 FLAT WASHER ZP	24
40	0400491	1/2 HELICAL LOCK WASHER ZP	4
41	0706114	GASKET - CLEANOUT & FILLER COVER	2
42	0802747	FILLER PIPE WELD'T	2
43	0803193	SUPPORT - RESERVOIR WELDMENT	2
44	0806653	RESERVOIR LEFT WELDMENT	1
45	0806654	RESERVOIR RIGHT WELDMENT	1

Section I - PARTS (cont'd)

WINCH HYDRAULICS



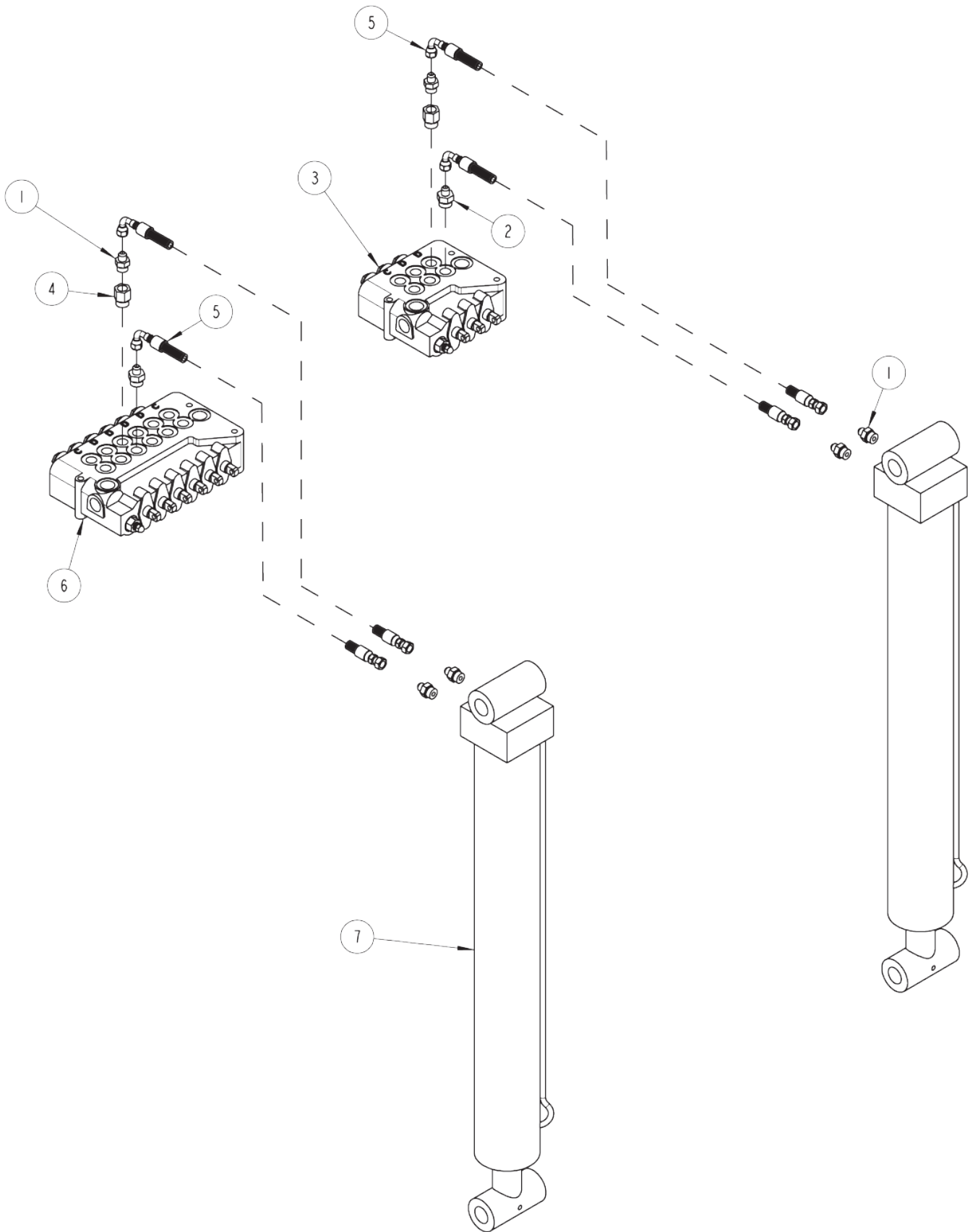
Section I - PARTS (cont'd)

WINCH HYDRAULICS

ITEM	PART NUMBER	DESCRIPTION	QTY
1	0301093	BULKHEAD UNION, 3/4" JIC	4
2	0301577	TUBING- PLASTIC 1/4 OD X 5" AIR LINE	2
3	0302296	VALVE, 3 SPOOL	1
4	0302552	WELD ADAPTER, C-WA-10	2
5	0302827	CONNECTOR 10MJX10MB	2
6	0302835	C-WA-10 WELD ADAPTER	4
7	0302836	SOCKET HEAD STACKING NUTS	2
8	0302837	SPLIT BUSHING 1"	4
9	0303079	CONNECTOR, 10MJ-8MB	4
10	0303344	10G 10FJX HOSE END	2
11	0303345	HOSE ASSEMBLY, 48" LG	2
12	0303350	HOSE ASSEMBLY, 89" LG	2
13	0303351	HOSE ASSEMBLY, 105" LG	1
14	0303352	HOSE ASSEMBLY, 117" LG	1
15	0303505	WINCH, DP MODEL S50-50K	1
16	0307062	VALVE, 6 SPOOL VDP12-CDDD	1
17	0400118	5/16-18 X 3/4 HHCS GR.5 ZP	2
18	9010520	FITTING,BRASS ELB. 1/4T-1/4MP	2
19	9011071	FITTING,BRASS TEE 1/4T-1/4T-1/4T	1
20	GX263	FITTING,ELBOW 10MJ-10MB90	2

Section I - PARTS (cont'd)

SPADE HYDRAULICS



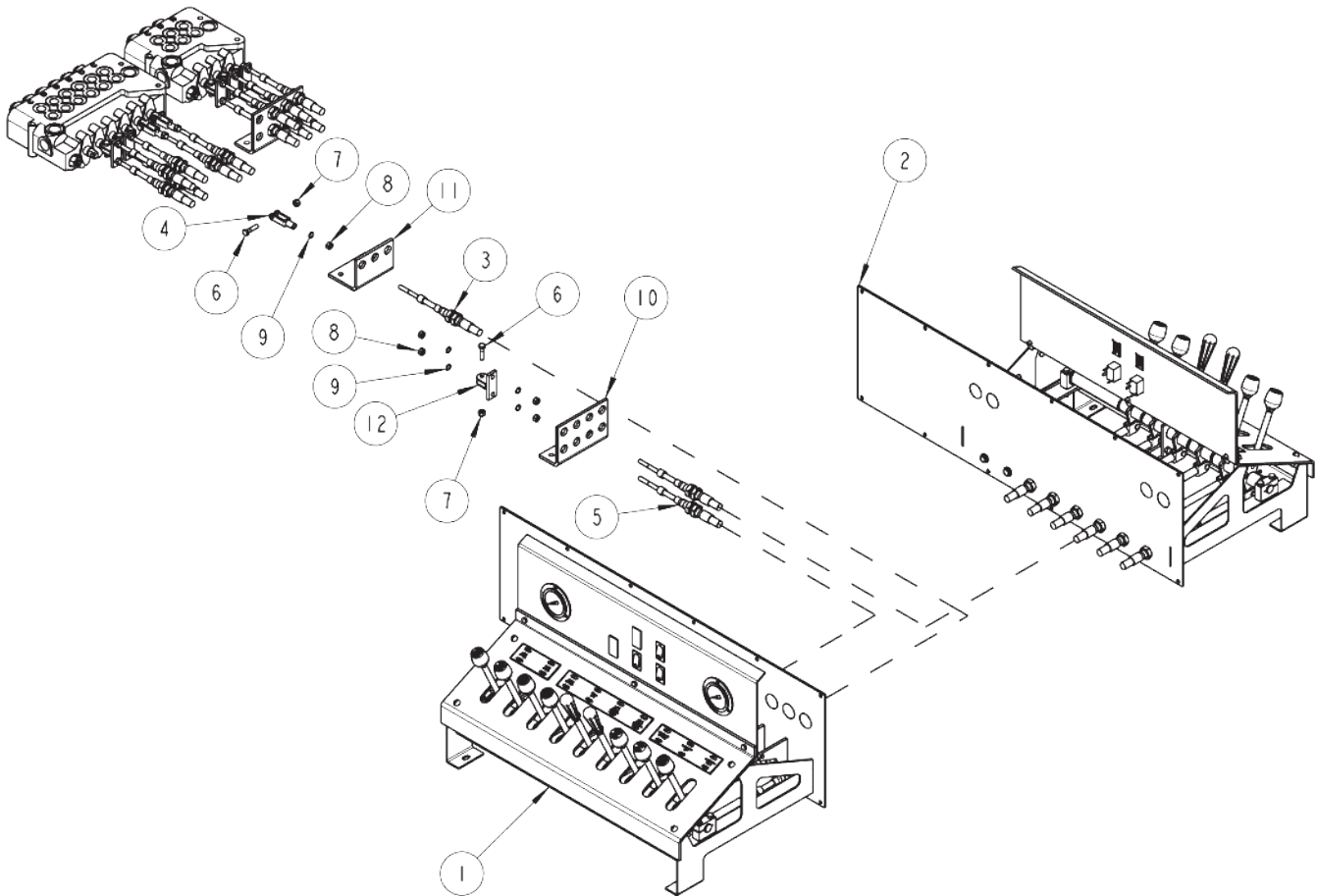
Section I - PARTS (cont'd)

SPADE HYDRAULICS

ITEM	PART NUMBER	DESCRIPTION	QTY
1	0300044	CONNECTOR 6MJX8MB	6
2	0301778	CONNECTOR 6MJX10MB	2
3	0302296	VALVE, 3 SPOOL	1
4	0303176	CONNECTOR 10MPX8FB	2
5	0303748	HOSE ASSEMBLY, 32"	4
6	0307062	VALVE, 6 SPOOL VDP12-CDDD	1
7	0307843	CYLINDER - 4" BORE 30" STROKE	2

Section I - PARTS (cont'd)

CONTROL ASSEMBLY



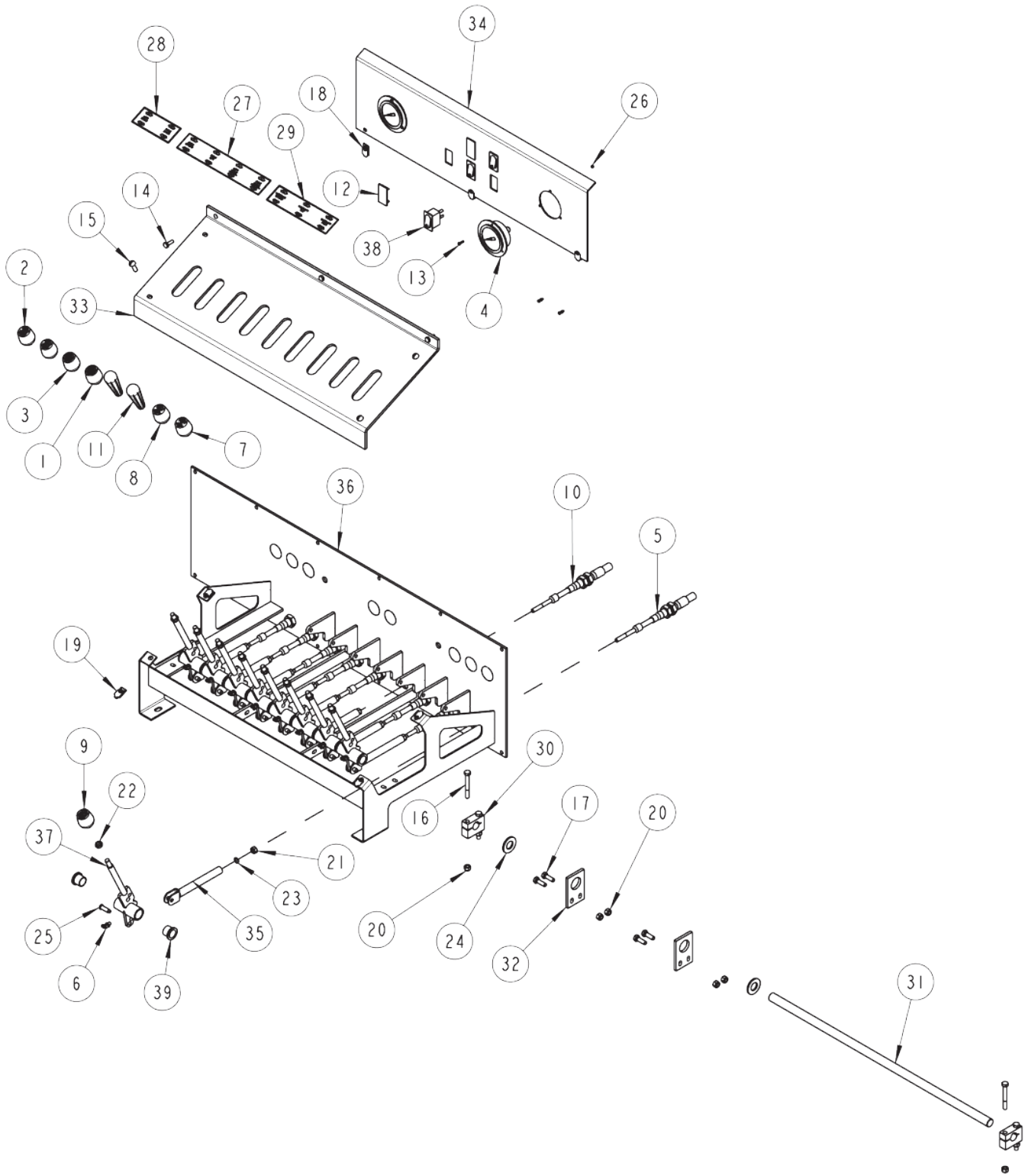
Section I - PARTS (cont'd)

CONTROL ASSEMBLY

ITEM	PART NUMBER	DESCRIPTION	QTY
1	--	9055 CONTROL ASSEMBLY 9 HANDLE	1
2	--	9055 CONTROL ASSEMBLY RH 6H	1
3	0302457	CONTROL CABLE	5
4	0303008	CLEVIS - ADJUSTABLE	3
5	0303427	CONTROL CABLE	10
6	0400103	5/16-18 X 1 1/4 HHCS GR.5, ZP	9
7	0400382	5/16-18 NYLOCK HEX NUT ZP	9
8	0400383	5/16-24 HEX NUT ZP	27
9	0400466	LOCKWASHER, 5/16" INTERNAL TOOTH	27
10	0711249	PLATE - CONTROL BOX	2
11	0711250	PLATE - CONTROL BOX	1
12	0801054	CONNECTOR - CONTROL CABLE	6

Section I - PARTS (cont'd)

LEFT CONTROL ASSEMBLY



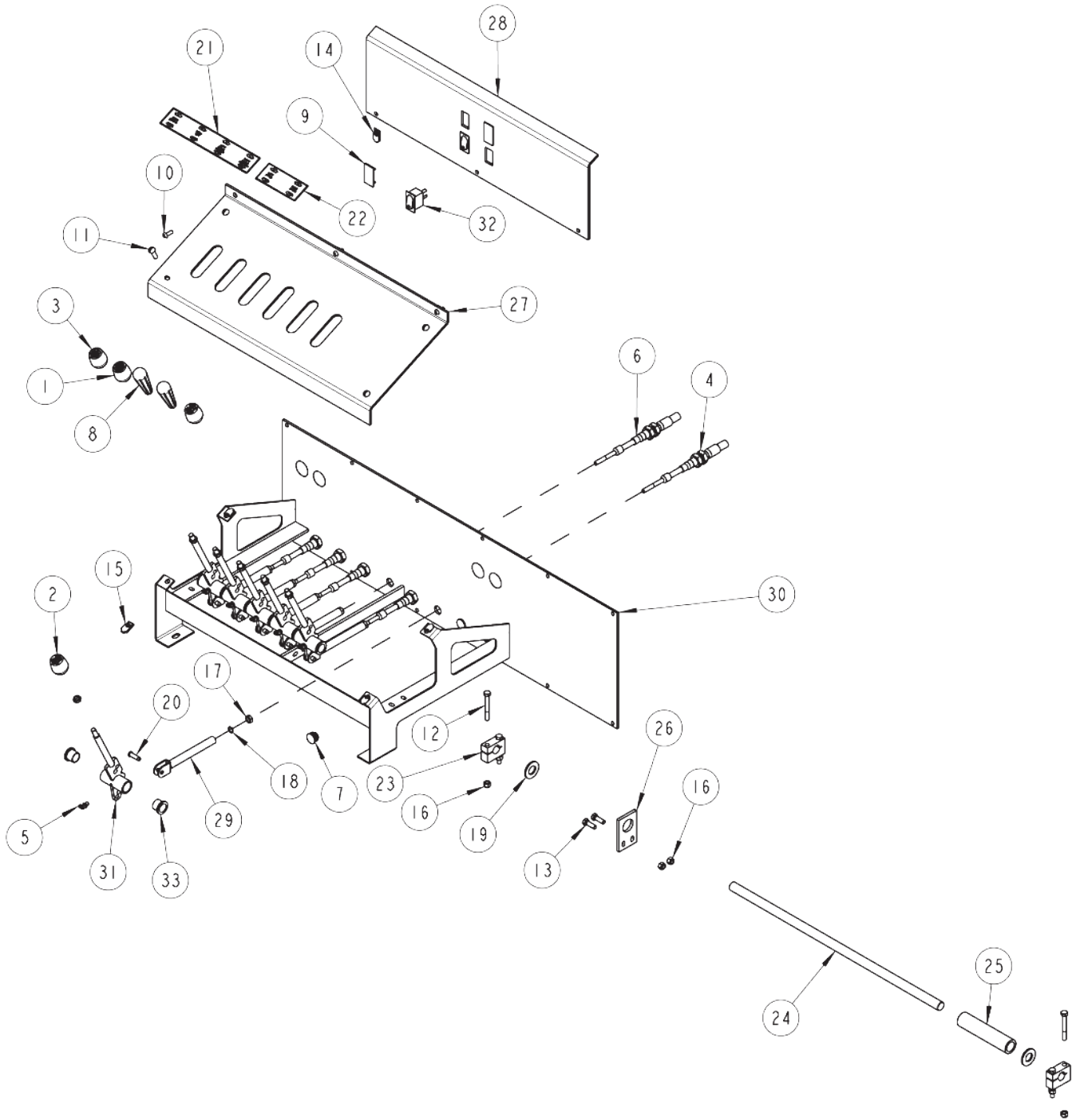
Section I - PARTS (cont'd)

LEFT CONTROL ASSEMBLY

ITEM	PART NUMBER	DESCRIPTION	QTY
1	0300835	KNOB, BOOM (UP-DN)	1
2	0300836	KNOB, JACK (UP-DN)	2
3	0300837	KNOB, BOOM (IN-OUT)	1
4	0302205	GAUGE, FLUSH MOUNT 6000 PSI	2
5	0302457	CONTROL CABLE	3
6	0302726	GREASE FITTING, 1/4"-28 X 45°	9
7	0302856	KNOB, TILT (UP-DN)	1
8	0302917	KNOB, WHL LIFT EXT (IN-OUT)	1
9	0303382	KNOB, FOLD (UP-DN)	1
10	0303427	CONTROL CABLE	6
11	0307604	KNOB - RED LONG	2
12	0307778	PLUG, FILLER	2
13	0400005	#6-32 X .5 FLAT HEAD PHILLIPS	6
14	0400066	1/4-20 X 3/4 HHCS GR.5,ZP	3
15	0400101	SCREW, 5/16"-18 X 1" RD HD SLOTTED SS	4
16	0400107	5/16-2.5 X 2-1/2 HHCS	4
17	0400109	5/16-18 X 1 HHCS GR.5,ZP	4
18	0400369	1/4 "J" TYPE TINNERMAN	3
19	0400379	CLIP, 5/16" "J" TYPE TINNERMAN	4
20	0400382	5/16-18 NYLOCK HEX NUT ZP	8
21	0400383	5/16-24 HEX NUT ZP	9
22	0400393	3/8"-16 HEX JAM NUT	9
23	0400466	LOCKWASHER, 5/16" INTERNAL TOOTH	9
24	0400512	3/4 FLAT WASHER (SPECIAL)	2
25	0400527	CLEVIS PIN, 5/16" X 5/8" COTTERLESS	9
26	0402094	HEX NUT & STAR WASHER, #8-32 ZP	6
27	0500914	DECAL- CONTROL PANEL WRECKER	1
28	0500915	DECAL - CTROL PANEL SPADE	1
29	0500916	DECAL - CONTROL PANEL UNDERLIFT	1
30	0711235	CLAMP - SHAFT	2
31	0717198	PIN - CONTROL HANDLE (9)	1
32	0717461	PLATE - SHAFT SUPPORT	2
33	0723230	PANEL - CONTROL (9)	1
34	0723233	PANEL - GAUGE (9 HDL, STD)	1
35	0806006	CLEVIS WELDMENT	9
36	0806007	CONTROL FRAME WLMT (9) HANDLE	1
37	0806515	CONTROL HANDLE WLMT	9
38	9024041	MCGILL SWITCH	3
39	9053524	BRONZE BUSHING (.752 X .879 X .750)	18

Section I - PARTS (cont'd)

RIGHT CONTROL ASSEMBLY



Section I - PARTS (cont'd)

RIGHT CONTROL ASSEMBLY

ITEM	PART NUMBER	DESCRIPTION	QTY
1	0300835	KNOB, BOOM (UP-DN)	1
2	0300836	KNOB, JACK (UP-DN)	2
3	0300837	KNOB, BOOM (IN-OUT)	1
4	0302457	CONTROL CABLE	2
5	0302726	GREASE FITTING, 1/4"-28 X 45°	6
6	0303427	CONTROL CABLE	4
7	0307166	PLUG 7/8	2
8	0307604	KNOB - RED LONG	2
9	0307778	PLUG, FILLER	2
10	0400061	SCREW, 1/4"-20 X 2 1/4" RD HD PHIL SS	3
11	0400101	SCREW, 5/16"-18 X 1" RD HD SLOTTED SS	4
12	0400107	5/16-2.5 X 2-1/2 HHCS	4
13	0400109	5/16-18 X 1 HHCS GR.5,ZP	2
14	0400369	1/4 "J" TYPE TINNERMAN	3
15	0400379	CLIP, 5/16" "J" TYPE TINNERMAN	4
16	0400382	5/16-18 NYLOCK HEX NUT ZP	6
17	0400393	3/8"-16 HEX JAM NUT	12
18	0400466	LOCKWASHER, 5/16" INTERNAL TOOTH	6
19	0400512	3/4 FLAT WASHER (SPECIAL)	2
20	0400527	CLEVIS PIN, 5/16" X 5/8" COTTERLESS	6
21	0500914	DECAL- CONTROL PANEL WRECKER	1
22	0500915	DECAL - CTROL PANEL SPADE	1
23	0711235	CLAMP - SHAFT	2
24	0717203	PIN - CONTROL HANDLE (6)	1
25	0717206	SPACER	1
26	0717461	PLATE - SHAFT SUPPORT	1
27	0723231	PANEL - CONTROL (6 HANDLE)	1
28	0723232	PANEL - SWITCH	1
29	0806006	CLEVIS WELDMENT	6
30	0806008	CONTROL FRAME WLMT (6,7,8 HANDLE)	1
31	0806515	CONTROL HANDLE WLMT	6
32	9024041	MCGILL SWITCH	2
33	9053524	BRONZE BUSHING (.752 X .879 X .750)	12

Section I - PARTS (cont'd)

9055 3-STAGE 2-SPEED PARTS LIST

ITEM	PART NUMBER	DESCRIPTION	QTY
--	125956023	9055 3-STAGE 2-SPEED	
1	0907135	SHIP KIT - 9055	1
2	0908031	BSC UNIT ASSY 9055 2/SPD 3STG	1
3	0911135	INTEGRATED NON-LIGHTED CONTROL	1
--	0907135	SHIP KIT - 9055	
4	0300844	3/4 X 1/8 CLOSED CELL	15
5	0301215	WIRE ROPE 3/4X6X37 IWRC 250'	2
6	0303226	80 AMP CIRCUIT BREAKER	2
7	0307119	PUMP - HYDRAULIC	1
8	0310599	CRC HD CORROSION INHIBIT SPRAY	1
9	0902687	DATA PACKAGE 9055	1
10	0903064	KIT-BODY MOUNTING 9055	1
11	0903137	KIT-TOWER RAMP 9055/5030	1
12	0903729	CHAIN-SAFETY ASSY	1
13	0903953	KIT-STANDARD 9055 FORK	1
14	0904217	HARDWARE-BODY MOUNTING	1
15	0908275	KIT, FENDER SKIRT-AL TBOX LWRK	1
16	0910480	PURCHASED SHIP KIT - 9055	1
--	0902687	DATA PACKAGE 9055	
17	0500620	MANUAL 9055	1
18	0501763	CENTURY LARGE INT INSTL MANUAL	1
--	0903064	KIT-BODY MOUNTING 9055	
19	0707174	ANG TAILGATE MTG	2
20	0707175	PLATE, MOUNTING 5030	2
21	0711286	SPACER - REAR FRAME BRKT	2
22	0717507	PLATE - MOUNTING	2
--	0903137	KIT-TOWER RAMP 9055/5030	
23	0303089	RAMP PAD - 9055/5030	2
24	0400128	3/8-16X1.25 FLAT HD SOC	10
25	0400392	3/8-16 NYLOK HEX NUT ZINC	10
--	0903729	CHAIN-SAFETY ASSY	
26	0307626	SAFETY CHAIN ASY,1/2X14' GR100	2
--	0903953	KIT-STANDARD 9055 FORK	
27	0200018	FORK-SHORT, 3IN OPNG	2
28	0200019	FORK-SHORT, 4-1/2IN OPNG	2
29	0200020	FORK-MED, 3IN OPNG	2
30	0200021	FORK-MED, 4-1/2IN OPNG	2
31	0200022	FORK-LONG, 3IN OPNG	2
32	0200023	FORK-LONG, 4-1/2IN OPNG	2
33	0200024	FORK-OFFSET REAR AXLE	2
34	0200042	FORK-MEDIUM ROUND AXLE	2
35	0306564	ALUM T HANDLE 5/8" X 1-1/4"	4
36	0310230	CLEVIS PIN, 5/8 X 6 ZINC PLT	2
37	0400585	1-1/4" HAIR PIN COTTER	2

Section I - PARTS (cont'd)

9055 3-STAGE 2-SPEED PARTS LIST (cont'd)

ITEM	PART NUMBER	DESCRIPTION	QTY
--	0903953	KIT-STANDARD 9055 FORK (cont'd)	
38	0400886	HITCH PIN CLIP,1/8 DIAx2.6 OAL	2
39	0801186	ADAPTER-HDU CHAIN (LH OR RH)	1
40	0801186	ADAPTER-HDU CHAIN (LH OR RH)	1
41	0801459	BRKT-RISER-HDU	2
42	0803591	ADAPTER-LEFT FORK	1
43	0803592	ADAPTER-RIGHT FORK	1
44	0807023	BRKT-PIVOT SPRING LIFT	2
45	0900900	PIN-ASSY, RETAINER	2
46	0908672	PIN-RET.-SPRING LIFT	2
--	0900900	PIN-ASSY, RETAINER	
47	0302474	PIN, LINCH 3/16	1
48	0311167	3/16 SWAGE FOR 1/8 COATED CABL	1
49	0311210	CABLE, PIN RETAINER ASSY .125	1
50	0400568	3/8x3" ROLL PIN ZP	1
51	0400573	3/16x1-1/4ROLL PIN ZP	1
52	0402020	1/4-20NC X 3/4 HEX HD SS	1
53	0703426	PIN,RETAINER	1
--	0908672	PIN-RET.-SPRING LIFT	
54	0302474	PIN, LINCH 3/16	1
55	0311167	3/16 SWAGE FOR 1/8 COATED CABL	1
56	0311210	CABLE, PIN RETAINER ASSY .125	1
57	0400568	3/8x3" ROLL PIN ZP	1
58	0400573	3/16x1-1/4ROLL PIN ZP	1
59	0402020	1/4-20NC X 3/4 HEX HD SS	1
60	0718917	PIN, RETAINER	1
--	0904217	HARDWARE-BODY MOUNTING	
61	0400286	3/4-10x2.75" HHCSGR 8GOLD	44
62	0400301	7/8-9x3HHCS GR5 ZP	4
63	0400431	3/4-10 NYLOK HEX GR 8 ZP	44
64	0400436	7/8-9 NYLOK HEX NUT ZP	4
--	0908275	KIT, FENDER SKIRT-AL TBOX LWRK	
65	0307270	SIKAFLEX-GRAY 221-G SEALANT	1
66	9025068	REFLECTOR-PETERSON B489R DECAL	4
--	0910480	PURCHASED SHIP KIT - 9055	
67	0300132	14" UV BLK CABLE TIE	100
68	0303226	80 AMP CIRCUIT BREAKER	2
69	0500554	FLAG, AMERICAN LT	2
70	0500686	DECAL - RETRACT CAUTION	2
71	0501167	PLATE, CENTURY, NAME, PLASTIC	2
72	0501669	DECAL, AIR FREE SPOOL	2
73	0711438	BRACKET - HOSE	8
74	0902333	KIT-GLAD HAND	1
75	0904183	KIT-AIR TENSIONER	1
76	0906838	GROUND KIT MTG.HARNESS CENTURY	1

Section I - PARTS (cont'd)

9055 3-STAGE 2-SPEED PARTS LIST (cont'd)

ITEM	PART NUMBER	DESCRIPTION	QTY
--	0910480	PURCHASED SHIP KIT - 9055 (cont'd)	
77	0907043	KIT, HOLE PLUG TOOL BOX	1
78	0908095	KIT - PUMP 9055	1
79	0908382	KIT - MUDFLAP LRG CENTURY WKR	1
80	0908446	KIT, SWITCH/DECALS 2-SPD WINCH	1
81	0911090	KIT-SAFETY TREAD-INTEGRATED	1
--	0902333	KIT-GLAD HAND	
82	0301909	RECEPTACLE BOOT	1
83	0301946	FITTING, BLKHD CONNECT	2
84	0301948	HD 7 WAY TRAILER CONNECT	1
85	0304363	QUICK DISCONNECT 1/2 FPT	2
86	0400070	1/4-20X1 HHCS GR5 ZP	2
87	0400367	1/4-20 NYLOK HEX NUT ZP	2
88	0400451	1/4 FLATWASHER ZP	2
--	0904183	KIT-AIR TENSIONER	
89	0301577	1/4 OD PLASTIC AIRLINE, BLACK	25
90	0302495	CONVOLUTED LOOM 1/4	25
91	0311193	6" CABLE TIE	25
92	0400062	1/4-20X3/4 THRD CUT HEX	2
93	0700188	BRKT,BULKHEAD	2
94	0909085	KIT,AIR FLR/REG/LUBE COMBO 1/4	1
95	HA0132	GAUGE 0-160 PSI	1
--	0909085	KIT,AIR FLR/REG/LUBE COMBO 1/4	
96	0302123	HEX NIPPLE 4MP-4MP	1
97	0303363	AIR FLTR/REGULATOR COMBO	1
98	0306983	FITT, BRASS RUNTEE 1/4T-1/4MPX	1
99	9010520	FITT, BRASS ELB 1/4T-1/4MP	1
--	0906838	GROUND KIT MTG.HARNES CENTURY	
100	0400126	3/8-16X1 HHCS GR5 ZP.	1
101	0400392	3/8-16 NYLOK HEX NUT ZINC	1
102	0400481	3/8" EXT.TOOTH LOCKWASHER	1
103	0400499	3/4" EXT.TOOTH LOCKWASHER	1
104	0402122	3/8-16NC HEX NUT 316 SS	1
105	0716468	LUG - GROUNDING	1
--	0907043	KIT, HOLE PLUG TOOL BOX	
106	0307052	WASHER, RUBBER 7/16X1 1/4X1/4	8
107	0400201	1/2-13X1.5 CRGBLT GR5 ZP	4
108	0400407	1/2-13 HEX NUT ZP	4
109	0400491	1/2" HCL LKWSHR ZP	4
110	0400492	1/2" FLATWASHER ZP	4
111	0400506	5/8 FLATWASHER ZP	4
--	0908095	KIT - PUMP 9055	
112	0300364	CLAMP-HOSE,0.875"-2.75" 50"LBS	4
113	0300649	UNION, STRAIGHT 12MJ - 12MJ	2

Section I - PARTS (cont'd)

9055 3-STAGE 2-SPEED PARTS LIST (cont'd)

ITEM	PART NUMBER	DESCRIPTION	QTY
--	0908095	KIT - PUMP 9055 (cont'd)	
114	0300666	FITTING, BARB 24C4-24MP	2
115	0300671	HOSE, SUCTION 1-1/2 ID	38
116	0300891	PIPE NIPPLE, 1-1/2 X 3	2
117	0302088	BALL VALVE	2
118	0302242	FITT, FLANGE 24 HOSE-24FL90	2
119	0302901	HOSE HYD, 120" 12C12	4
120	0302932	FITTING, ELBOW	2
121	0303290	INSULATED CLAMP 2 1/2	12
122	0400126	3/8-16X1 HHCS GR5 ZP.	6
123	0400177	1/2-13X1.25 HHCS GR5 ZP	4
124	0400392	3/8-16 NYLOK HEX NUT ZINC	6
125	0400480	3/8 FLATWASHER ZP	6
126	0400491	1/2" HCL LKWSHR ZP	4
--	0908382	KIT - MUDFLAP LRG CENTURY WKR	
127	0310631	MUD FLAP, CENTURY	2
128	0400103	5/16-18X1.25 HHCS GR5 ZP	8
129	0400148	3/8-16X1.25 HHCS GR5 ZP	4
130	0400382	5/16-18 NYLOK HEX NUT ZP	8
131	0400392	3/8-16 NYLOK HEX NUT ZINC	4
132	0717386	BAR - MUDFLAP	2
133	0718139	ANGLE - MUD FLAP MOUNT	2
--	0908446	KIT, SWITCH/DECALS 2-SPD WINCH	
134	0501647	DECAL, 2-SPEED	2
135	9024041	SWITCH-ROCKER, LIGHTED 12V	4
--	0908031	BSC UNIT ASSY 9055 2/SPD 3STG	
136	0903156	CROSSBAR-5" ASSY	1
137	0903902	BOOM HORIZONTAL ASSY	1
138	0911092	9055 3STG2SP PURC ASY LESS W/L	1
139	0911095	9055 3STG DATA PKG	1
--	0903156	CROSSBAR-5" ASSY	
140	0301197	COMP.SPRING,CROSS BAR,FI	1
141	0301398	STEEL BALL, 1-3/16 DIA	1
142	0301822	O-RING - PIVOT PIN1	
143	0303097	THRUST WASHER - 1/8 THK	1
144	0303098	THRUST WASHER - 1/16 THK	1
145	0400271	5/8-11X4.5SKTHDCAPSCREW	2
146	0400508	5/8" HELICAL LCKWSHR ZP	2
147	0708470	SPACER - DETENT BALL SPRG	1
148	0710051	PIN - TOP HALF PIVOT	1
149	0710052	PIN - BOTTOM HALF PIVOT	1
150	0802914	CROSSBAR WELDMENT	1
--	0903902	BOOM HORIZONTAL ASSY	
151	0300113	GREASE FITTING,1/4-28 STRAIGHT	8
152	0301470	FITTING, 90ELB 6MJ-8MB90	2

Section I - PARTS (cont'd)

9055 3-STAGE 2-SPEED PARTS LIST (cont'd)

ITEM	PART NUMBER	DESCRIPTION	QTY
--	0903902	BOOM HORIZONTAL ASSY (cont'd)	
153	0301817	SLIDE PAD-HORIZ BOOM NYL	3
154	0301818	SLIDE PAD-HORIZ BOOM	2
155	0302538	BUSHING - U/L	2
156	0303501	CYL HYD EXT-3M U/LIFT H/CHROME	1
157	0307013	PAD - WEAR	2
158	0400139	3/8-16X1.5 HEX SKT SET	2
159	0400151	3/8-24X3/4 HHCS GR5 ZP	6
160	0400204	1/2-13X3/4 SKT HD SET	4
161	0400228	3/8-24X5/8 BUTTON HEAD	4
162	0400392	3/8-16 NYLOK HEX NUT ZINC	2
163	0400481	3/8" EXT.TOOTH LOCKWASHER	6
164	0400990	SET SCRW,1/2-13X1/2 SKT,CUP PT	4
165	0707034	PLATE,STOP	2
166	0712195	SHAFT - EXTEND CYLINDER	1
167	0718764	SHAFT - EXTEND CYL	1
168	0719515	PLATE, STOP	1
169	0803440	BOOM,U/L OUTER WLMT	1
170	0803441	BOOM-2ND STAGE U/L WELDMENT	1
171	0903901	BOOM-U/L INNER ASSY	1
172	BK2003	PAD-WEAR	2
--	0903901	BOOM-U/L INNER ASSY	
173	0303088	BUSHING - PIVOT PIN	1
174	0400044	10X1/2 DRIVE SCREW RD	8
175	0703277	PAD, SLIDER	2
176	0803442	BOOM-U/L INNER WELDT 3RD STAGE	1
--	0911092	9055 3STG2SP PURC ASY LESS W/L	
177	0907057	WINCH ASSY 9055 W/2-SPD WINCH	1
178	0907313	SUBFRAME ASSY - 9055	1
179	0908019	BOOM INSTALLATION 9055 3-STAGE	1
180	0911093	9055 TOWER LESS U/L ASSY	1
--	0907057	WINCH ASSY 9055 W/2-SPD WINCH	
181	0301577	1/4 OD PLASTIC AIRLINE, BLACK	70
182	0301601	CLAMP, HOSE, INSUL, 5/8	1
183	0302495	CONVOLUTED LOOM 1/4	70
184	0303079	FITTING, CONNECTOR	4
185	0303505	WINCH-DP MODEL S50-50K (2)SPD	2
186	0310194	HARNESS, WIRING 2-SPEED	1
187	0311193	6" CABLE TIE	35
188	0400121	3/8-16X3/4 HHCS GR5 ZP	1
189	0400284	3/4-10X2.25" HHCS GR5 ZP	16
190	0400430	3/4-10 NYLOK HEXNUT ZP	16
191	0400510	3/4 FLATWASHER ZP	16
192	0709702	ANGLE - WINCH MTG 9055	2
193	0709703	ANGLE - WINCH MTG 9055	2
194	0709704	ANGLE - WINCH MTG 9055	2
195	0709705	ANGLE - WINCH MTG 9055	2

Section I - PARTS (cont'd)

9055 3-STAGE 2-SPEED PARTS LIST (cont'd)

ITEM	PART NUMBER	DESCRIPTION	QTY
--	0907057	WINCH ASSY 9055 W/2-SPD WINCH	
196	0711164	BLOCK - SHEAR	8
197	9010520	FITT, BRASS ELB 1/4T-1/4MP	2
198	9011071	FITT, BRASS TEE 1/4T-1/4T-1/4T	1
--	0907313	SUBFRAME ASSY - 9055	
199	0302538	BUSHING - U/L	2
200	0400070	1/4-20X1 HHCS GR5 ZP	2
201	0400288	3/4-10X2.5HHCS GR 8GOLD	12
202	0400367	1/4-20 NYLOK HEX NUT ZP	2
203	0400431	3/4-10 NYLOK HEX GR 8 ZP	12
204	0711164	BLOCK - SHEAR	2
205	0711287	PLATE - BULKHEAD	1
206	0712522	BAR	4
207	0714581	PLATE - BOLTING	4
208	0804405	BRACKET - BOOM PIVOT	2
209	0806001	SUBFRAME WELD'T - 7035/9055	1
210	0902553	KIT-D RING LARGE	1
211	0903514	KIT-LIFT CYLINDER 9055	1
212	0903516	KIT-FRAME HYDRAULIC 9055	1
213	0903528	LINK-LT.&RT. SIDE CONT.	1
214	0906313	SPADE ASSY - REAR HYDRAULIC	1
215	0907138	PAN-VALVE ASSY. -9055	1
216	0907140	KIT-VALVE COVER 9055	1
217	0907288	CONTROL ASSY (9) HANDLES	1
218	0907289	RIGHT CONTROL ASSY-(6 HANDLE)	1
219	0907347	KIT - REAR HANDRAIL	1
220	0907802	KIT - RESERVOIR 5130-9055	1
--	0902553	KIT-D RING LARGE	
221	0400114	5/16-18X3 HHCS GR5 ZP	2
222	0400776	5/16-18 HEX NUT JAM NYLOK ZP	2
223	0719585	D-RING, TOWING	2
224	GA0215	PIN-"D" RING	2
--	0903514	KIT-LIFT CYLINDER 9055	
225	0300041	FITTING, CONNECTOR 8MJ-8MB	2
226	0300113	GREASE FITTING, 1/4-28 STRAIGHT	4
227	0300644	HOSE CLAMP, 8 68452/I	2
228	0300657	HOSE HYD, 46" LG	2
229	0300659	HOSE HYD, 45"	2
230	0301388	FITTING, 90ELL, 8MJ-8MB90	2
231	0302275	FITTING, CONN 8MJ-6MB W/STEP	2
232	0302276	FITTING, ELB 90 DEG	4
233	0302568	HYD TUBING	2
234	0302792	CYL HYD HEAVY/CHROME	2
235	0302796	FITTING, TEE	2
236	0307106	FITT, CONNECTOR 4MB-6FB	2
237	0307107	VALVE, HOLDING 4000 PSI SAE	2
238	0307613	TUBING-HYD ASSY 1/2" DIA 9055	2

Section I - PARTS (cont'd)

9055 3-STAGE 2-SPEED PARTS LIST (cont'd)

ITEM	PART NUMBER	DESCRIPTION	QTY
--	0903514	KIT-LIFT CYLINDER 9055 (cont'd	
239	0400078	1/4-20X2 HHCS GR5 ZP	4
240	0400206	1/2-13X5 HHCS GR5 ZP	2
241	0400367	1/4-20 NYLOK HEX NUT ZP	4
242	0400408	1/2-13 NYLOK HEX NUT ZP	2
243	0400451	1/4 FLATWASHER ZP	4
244	0703001	BRKT,MTG,CHECK VALVE	2
245	0708094	PIN - LIFT CYLINDER	2
--	0903516	KIT-FRAME HYDRAULIC 9055	
246	0301093	BULKHEAD UNION,3/4" JIC	6
247	0301372	FITTING, ST.CONN. 12FJ-8MJ	2
248	0301473	HOSE HYD, 18" LG	2
249	0301837	INLINE ORIFICE	1
250	0301965	HOSE HYD, 131"	2
251	0302552	C-WA-10 WELD ADAPTER	2
252	0302574	FITTING-BULKHEAD RUN TEE	2
253	0302576	FITTING, BULKHEAD UNION	8
254	0302584	HOSE HYD, 50"	2
255	0302805	HOSE HYD, 10"	1
256	0302835	C-WA-10 WELD ADAPTER	4
257	0302836	SOCKET-HD STACKING NUTS	2
258	0302837	SPLIT BUSHING 1"	4
259	0303036	8 FJ CAP	2
260	0303339	HOSE HYD, 45" LG	2
261	0303341	HOSE HYD, 36" LG	2
262	0303342	HOSE HYD, 30" LG	6
263	0303344	HOSE HYD, 46" LG	2
264	0303345	HOSE HYD, 48" LG	2
265	0303346	HOSE HYD, 48" LG	1
266	0303347	HOSE HYD, 50" LG	1
267	0303348	HOSE HYD, 48" LG	2
268	0303354	HOSE HYD, 33" LG	1
269	0303355	HOSE HYD, 33" LG	1
270	0303562	HOSE HYD, 37"	1
271	0303563	HOSE HYD, 27"	1
--	0903528	LINK-LT.&RT. SIDE CONT.	
272	0303008	ADJUSTABLE CLEVIS	3
273	0400103	5/16-18X1.25 HHCS GR5 ZP	9
274	0400122	3/8-16X1.25 HHCS GR5 ZP	6
275	0400382	5/16-18 NYLOK HEX NUT ZP	9
276	0400383	5/16-24 HEX NUT ZP	12
277	0400392	3/8-16 NYLOK HEX NUT ZINC	6
278	0400466	5/16 INT.TOOTH LOCKWSHR	47
279	0711249	PLATE - CONTROL BULKHEAD	2
280	0711250	PLATE - CONTROL BULKHEAD	1
281	0801054	CONNECTOR-CONTROL CABLE	6

Section I - PARTS (cont'd)

9055 3-STAGE 2-SPEED PARTS LIST (cont'd)

ITEM	PART NUMBER	DESCRIPTION	QTY
--	0906313	SPADE ASSY - REAR HYDRAULIC	
282	0300044	FITT, HYD CONN. 6MJ-8MB	4
283	0300134	CLAMP, 1" HOSE INSULATED	12
284	0301861	QUICK PIN,LINCH -B7932 PL 7/16	2
285	0303748	HOSE HYD, 136	4
286	0307843	CYL, HYD TI-S40030032PPBZ	2
287	0400066	1/4-20X3/4 HHCS GR5 ZP	8
288	0400139	3/8-16X1.5 HEX SKT SET	4
289	0400392	3/8-16 NYLOK HEX NUT ZINC	10
290	0400452	1/4" HELICAL LCKWASHR ZP	8
291	0713128	SHAFT - LOWER SPADE	2
292	0713129	SHAFT - UPPER SPADE	2
293	0715584	PLATE - REAR SPADE COVER	2
294	0715694	PIN - SPADE PIVOT	2
295	0804334	PIN - MULTI-POSITION	2
296	0807627	INNER SPADE WELD'T LH	1
297	0807628	INNER SPADE WELD'T RH REINF	1
298	0807630	LOWER SPADE PAD WLMT	2
299	9046354	SPRING PIN 1/4 X 2-1/2	2
--	0907138	PAN-VALVE ASSY. -9055	
300	0300044	FITT, HYD CONN. 6MJ-8MB	5
301	0301376	CONNECTOR 8 MJ - 10 MB	4
302	0301470	FITTING, 90ELB 6MJ-8MB90	2
303	0301545	FITTING, ELB 12MJ-12MB 90	2
304	0301730	VALVE, DOUBLE HOLDING	1
305	0301778	6MJ - 10MB STRAIGHT CONNECTOR	7
306	0302083	16 MJ - 12 MB 90 ELBOW	2
307	0302296	VALVE, 3 SPOOL	1
308	0302826	FITTING, TEE	2
309	0302827	FITTING, CONNECTOR 10MJ-10MB	2
310	0302829	FITTING, ADAPTOR	2
311	0303176	FITTING, CONNECTOR	3
312	0307062	VALVE, 6 SPOOL VDP12-CDDDDC	1
313	0400078	1/4-20X2 HHCS GR5 ZP	2
314	0400109	5/16-18X1 HHCS GR5 ZP	2
315	0400132	3/8-16X1.5 HHCS GR5 ZP	4
316	0400135	3/8-16X4.5 HHCS GR5 ZP	6
317	0400367	1/4-20 NYLOK HEX NUT ZP	2
318	0400382	5/16-18 NYLOK HEX NUT ZP	2
319	0400392	3/8-16 NYLOK HEX NUT ZINC	10
320	0400451	1/4 FLATWASHER ZP	2
321	0400480	3/8 FLATWASHER ZP	4
322	0704045	SPACER-CONTROL VALVE	6
323	0717827	PLATE, VALVE MOUNTING	1
324	0719122	PLATE - VALVE MTG	1
325	GX263	FITTING, ELB 10MJ-10MB90	2
--	0907140	KIT-VALVE COVER 9055	
326	0400121	3/8-16X3/4 HHCS GR5 ZP	4

Section I - PARTS (cont'd)

9055 3-STAGE 2-SPEED PARTS LIST (cont'd)

ITEM	PART NUMBER	DESCRIPTION	QTY
--	0907140	KIT-VALVE COVER 9055 (cont'd)	
327	0400482	3/8" HELICAL LCKWSHR - ZP	4
328	0717066	COVER - VALVE	1
329	0807181	COVER, SUPPORT WELDMENT	4
--	0907288	CONTROL ASSY (9) HANDLES	
330	0301473	HOSE HYD, 18" LG 2	
331	0302205	GAUGE, FLUSH MNTG-6000 PSI	2
332	0302457	CABLE, CONTROL 104	3
333	0302726	GREASE FITTING, 1/4-28 X 45DEG	9
334	0303427	CABLE, CONTROL 114"	6
335	0400107	5/16-18X2.5 HHCS GR5 ZP	4
336	0400109	5/16-18X1 HHCS GR5 ZP	4
337	0400382	5/16-18 NYLOK HEX NUT ZP	8
338	0400393	3/8-16 HEX NUT JAM ZP	9
339	0400451	1/4 FLATWASHER ZP	8
340	0400512	3/4 FLAT WASHER(SPECIAL)	2
341	0400527	CLEVIS PIN, 5/16X1"X5/8"GRIP	9
342	0711235	CLAMP - SHAFT CONTROL BOX	2
343	0717198	PIN - CONTROL HANDLE (9)	1
344	0717461	PLATE - SUPPORT SHAFT	2
345	0806006	CLEVIS WELD'T	9
346	0806007	CONTROL FRAME WELD'T-(9) HANDL	1
347	0907441	CONTROL HANDLE ASSY - SHORT	9
348	FC41	FITTING-90DEG BLKHD ELB	2
--	0907441	CONTROL HANDLE ASSY - SHORT	
349	0806515	CONTROL HANDLE WELD'T	1
350	9053524	BEARING BR. FLG.752 X .879X.75	2
--	0907289	RIGHT CONTROL ASSY-(6 HANDLE)	
351	0302457	CABLE, CONTROL 104	2
352	0302726	GREASE FITTING, 1/4-28 X 45DEG	6
353	0303427	CABLE, CONTROL 114"	4
354	0400107	5/16-18X2.5 HHCS GR5 ZP	4
355	0400109	5/16-18X1 HHCS GR5 ZP	2
356	0400382	5/16-18 NYLOK HEX NUT ZP	6
357	0400451	1/4 FLATWASHER ZP	6
358	0400512	3/4 FLAT WASHER(SPECIAL)	2
359	0400527	CLEVIS PIN, 5/16X1"X5/8"GRIP	6
360	0711235	CLAMP - SHAFT CONTROL BOX	2
361	0717203	PIN - CONTROL HANDLE (6)	1
362	0717206	TUBE - 1.25 OD SPACER	1
363	0717461	PLATE - SUPPORT SHAFT	1
364	0806006	CLEVIS WELD'T	6
365	0806008	CNTRL FRAME WELD'T-(6,7,8 HND)	1
366	0907441	CONTROL HANDLE ASSY - SHORT	6
--	0907441	CONTROL HANDLE ASSY - SHORT	
367	0806515	CONTROL HANDLE WELD'T	1

Section I - PARTS (cont'd)

9055 3-STAGE 2-SPEED PARTS LIST (cont'd)

ITEM	PART NUMBER	DESCRIPTION	QTY
--	0907441	CONTROL HANDLE ASSY - SHORT (cont'd)	
368	9053524	BEARING BR. FLG.752 X .879X.75	2
--	0907347	KIT - REAR HANDRAIL	
369	0400148	3/8-16X1.25 HHCS GR5 ZP	6
370	0400392	3/8-16 NYLOK HEX NUT ZINC	6
371	0806521	HAND RAIL WELD'T	2
--	0907802	KIT - RESERVOIR 5130-9055	1
372	0300287	FITTING, PIPE BUSHING, 1.25X1	2
373	0300364	CLAMP-HOSE,0.875"-2.75" 50"LBS	2
374	0301350	PIPE, 1-1/2 CLOSE NIPPLE	2
375	0301894	SPIN-ON FLTR ASSY	2
376	0302227	CENTER BONDED MOUNT	4
377	0302228	SPECIAL WASHER (LORD	4
378	0302570	SIGHT GAUGE 3/4 NPT (SVM-12)	2
379	0302756	SUCTION HOSE,1-1/4IDX100 100R4	2.25
380	0303155	PIPE PLUG 3/4 NPT MAGNETIC	2
381	0303338	FITTING, ELBOW	2
382	0305006	FILLER CAP (GO205,FB194)	2
383	0307344	SUCTION STRAINER	2
384	0400122	3/8-16X1.25 HHCS GR5 ZP	8
385	0400149	3/8-16 X 5/8 HHCS GR5 ZP	24
386	0400150	3/8-16X2.5 HHCS GR5 ZP	4
387	0400392	3/8-16 NYLOK HEX NUT ZINC	12
388	0400480	3/8 FLATWASHER ZP	24
389	0706114	GSKT-CLEANOUT&FLLR COVER	2
390	0802747	PIPE-FILLER WLMT	2
391	0803193	SUPPORT-RESERVOIR WLDMT.	2
392	0806653	RESERVOIR-LEFT WELDMENT	1
393	0806654	RESERVOIR-RIGHT WELDMENT	1
--	0908019	BOOM INSTALLATION 9055 3-STAGE	
394	0302504	HYD TUBING	6
395	0302514	ADAPTER 8MJ-6MJ	6
396	0302548	CLAMPING UNIT(SET) HC-10-6	4
397	0302549	SPLIT BUSH.RUBBER C-SB10-8 1/2	24
398	0302551	C-SN-10 SOCKET-HEAD	8
399	0302552	C-WA-10 WELD ADAPTER	11
400	0302835	C-WA-10 WELD ADAPTER	3
401	0302836	SOCKET-HD STACKING NUTS	3
402	0302837	SPLIT BUSHING 1"	6
403	0303350	HOSE HYD, 89" LG	2
404	0303351	HOSE HYD, 105" LG	1
405	0303352	HOSE HYD, 117" LG	1
406	0400118	5/16-18X3/4 HHCS GR5 ZP	11
407	0400176	1/2-13X1 HHCS GR5 ZP	2
408	0400211	1/2-13X1.75 HHCS GR5 ZP	2
409	0400220	1/2-13X5.5" HHCS GR5 ZP	1
410	0400392	3/8-16 NYLOK HEX NUT ZINC	4

Section I - PARTS (cont'd)

9055 3-STAGE 2-SPEED PARTS LIST (cont'd)

ITEM	PART NUMBER	DESCRIPTION	QTY
--	0908019	BOOM INSTALLATION 9055 3-STAGE (cont'd)	
411	0400408	1/2-13 NYLOK HEX NUT ZP	4
412	0400492	1/2" FLATWASHER ZP	2
413	0705104	PLATE-WINCH CABLE SPPT.	2
414	0715953	PIN - BOOM PIVOT	1
415	0802463	PIN-LIFT CYL. PIVOT WLMT	2
416	0906533	KIT - BOOM SWIVEL	1
417	0907122	KIT-9055 TILT CYLINDER	1
418	0908357	BOOM ASSEMBLY 9055 (3-STAGE)	1
419	DE1381	1/2 WASHER SAE 17/32 ID	2
--	0906533	KIT - BOOM SWIVEL	
420	0400557	1/2X1-1/4 ROLL PIN ZP	6
421	0906535	SWIVEL-BOOM ASSEMBLY	2
--	0906535	SWIVEL-BOOM ASSEMBLY	
422	0300113	GREASE FITTING,1/4-28 STRAIGHT	1
423	0300311	SHEAVE, 12-10-1BB 10	1
424	0400133	3/8-16X3 HHCS GR5 ZP	2
425	0400140	3/8-16X4 HHCS GR5 ZP	1
426	0400392	3/8-16 NYLOK HEX NUT ZINC	3
427	0700511	GUIDE, BOTTOM CABLE	2
428	0700563	SHAFT,SHEAVE	1
429	0802027	GUIDE-CABLE WELDMENT	1
430	0804450	BOOM END SWIVEL WLDT-FIXED9055	1
--	0907122	KIT-9055 TILT CYLINDER	
431	0300108	SNAP RING, 2.5 5100-250	2
432	0300113	GREASE FITTING,1/4-28 STRAIGHT	4
433	0301470	FITTING, 90ELB 6MJ-8MB90	2
434	0301619	FITT, 6MJ-6MJ-6MB BRANCH TEE	1
435	0301620	FITTING, HYD. 6MJ - 6MB90	2
436	0302035	HOSE HYD, 18" 6FJX-6FJX -6M1T	1
437	0302805	HOSE HYD, 10"	1
438	0302842	FITTING, TEE	2
439	0302914	HOSE HYD, 35"	1
440	0302915	HOSE HYD, 12"	2
441	0303079	FITTING, CONNECTOR	4
442	0303563	HOSE HYD, 27"	1
443	0307105	CYLINDER, HYD.	2
444	0307106	FITT, CONNECTOR 4MB-6FB	1
445	0307107	VALVE, HOLDING 4000 PSI SAE	1
446	0400064	1/4-20X2.25 SLOTTED RD	2
447	0400206	1/2-13X5 HHCS GR5 ZP	2
448	0400366	1/4-20 HEX NUT ZP	2
449	0400408	1/2-13 NYLOK HEX NUT ZP	2
450	0400451	1/4 FLATWASHER ZP	2
451	0400452	1/4" HELICAL LCKWASHR ZP	2
452	0703001	BRKT,MTG,CHECK VALVE	1
453	0708124	PIN - TILT CYLINDER BASE	1

Section I - PARTS (cont'd)

9055 3-STAGE 2-SPEED PARTS LIST (cont'd)

ITEM	PART NUMBER	DESCRIPTION	QTY
--	0907122	KIT-9055 TILT CYLINDER (cont'd)	
454	0717095	SHAFT	1
--	0908357	BOOM ASSEMBLY 9055 (3-STAGE)	1
455	0300113	GREASE FITTING,1/4-28 STRAIGHT	4
456	0301529	HOSE HYD, 58	2
457	0301895	GREASE FITTING,STR 1/8 PTF	1
458	0301949	3/8" OD AIRLINE,SYNFLEX HOSE	15
459	0302552	C-WA-10 WELD ADAPTER	11
460	0307406	PAD, SLIDE - (3) STAGE 9055	1
461	0400059	1/4-20X5/8 HHCS GR5 ZP	2
462	0400121	3/8-16X3/4 HHCS GR5 ZP	5
463	0400349	3/8-16X3/4 FLT SOC HD	4
464	0400452	1/4" HELICAL LCKWASHR ZP	2
465	0806712	INNER BOOM TUBE WLMT 9055	1
466	0806716	BOOM, OUTER WELD'T	1
467	0806824	BOOM, MID STAGE WELD'T	1
468	0908028	SLIDE PAD ASSY (9055 3 STAGE)	4
469	0908119	BOOM EXTEND SYSTEM 9055 3STAGE	1
470	0908356	SLIDE PAD ASSY (9055 3 STAGE)	2
471	0908430	KIT-D RING BOOM	1
472	3012-793001	PLATE - LUBE MTG.	1
473	9012549	CONNECTOR-MALE 3/8TUBEX1	1
474	9012549	CONNECTOR-MALE 3/8TUBEX1	1
475	9012552	BULKHEAD ADAPTER 1/8M-1/8F NPT	1
476	9012584	ELBOW-1/4NPT X 3/8TUBE 9	1
477	916040004	WEAR PAD - LOWER	1
478	946030004	UPPER WEAR PAD-RECOVERY	2
--	0908028	SLIDE PAD ASSY (9055 3 STAGE)	
479	0306825	SLIDE PAD - 3/4 X 1 X 4	1
480	0400066	1/4-20X3/4 HHCS GR5 ZP	1
481	0400126	3/8-16X1 HHCS GR5 ZP.	5
482	0400451	1/4 FLATWASHER ZP	1
483	0400452	1/4" HELICAL LCKWASHR ZP	1
484	0400482	3/8" HELICAL LCKWSHR - ZP	5
485	0717262	SHIM - SLIDE PAD 2	
486	0717746	PLATE, SLIDE PAD SUPPORT	1
--	0908119	BOOM EXTEND SYSTEM 9055 3STAGE	
487	0300113	GREASE FITTING,1/4-28 STRAIGHT	4
488	0301388	FITTING, 90ELL, 8MJ-8MB90	2
489	0305023	SNAP RING 5100-0225PP	2
490	0307160	CABLE - EXT ASSY 3-STAGE BOOM	2
491	0307402	CYL HYD 6.5 BORE 3-STAGE 9055&	1
492	0307403	CABLE - ASSY (RETRACT) 3-STAGE	2
493	0400146	3/8-16X2.25 HHCS GR5 ZP	1
494	0400223	3/8-16X3/4 FL HEAD	4
495	0400264	5/8-11X2.25 HHCS GR5 ZP	4
496	0400390	3/8-16 HEX JAM NUT W/PELLET	1

Section I - PARTS (cont'd)

9055 3-STAGE 2-SPEED PARTS LIST (cont'd)

ITEM	PART NUMBER	DESCRIPTION	QTY
--	0908119	BOOM EXTEND SYS 9055 3STAGE (cont'd)	
497	0400421	5/8-11 NYLOK HEX NUT ZP	4
498	0400448	1.25-12X1/2 HEX JAM NUT	2
499	0400461	NUT, HEX 1.25-12 GR8 PL	2
500	0400471	NUT, HEX 7/8-14 UNF GR8 ZP	2
501	0400472	NUT, JAM 7/8-14 UNF GR8 ZP	2
502	0400473	WASH, FLAT 7/8" PL HARD'N	2
503	0400480	3/8 FLATWASHER ZP	6
504	0400501	WASH, SAE 1 1/4 HARDENED PL	2
505	0717744	PIN, EXTEND CYL. BASE	1
506	0717747	PIN, RETRACT CABLE	1
507	0806752	SHAFT-RETRACT SHEAVE WELD'T	4
508	0908022	EXTEND SHEAVE ASSY 9055 3STAGE	1
509	0908118	SHEAVE ASSY 5" DIA	4
510	GA0215	PIN-"D" RING	1
--	0908022	EXTEND SHEAVE ASSY 9055 3STAGE	
511	0300113	GREASE FITTING,1/4-28 STRAIGHT	2
512	0303441	SHEAVE-10" DIA X 1.5 BORE	2
513	0400177	1/2-13X1.25 HHCS GR5 ZP	4
514	0400223	3/8-16X3/4 FL HEAD	1
515	0400483	3/8 CNTR'SUNK LOCKWASHER	1
516	0400491	1/2" HCL LKWSHR ZP	4
517	0717743	ROD, EXTEND SHEAVE SPACER	2
518	0806721	BRKT WELD'T - EXTEND SHEAVE	1
519	0806722	SHAFT - EXTEND SHEAVE WELD'T	1
--	0908118	SHEAVE ASSY 5" DIA	
520	0307432	BUSHING - BRONZE	1
521	0717909	SHEAVE, 5" DIA RETRACT	1
--	0908356	SLIDE PAD ASSY (9055 3 STAGE)	
522	0303490	PAD-WEAR 1/2" X 1" X 4"	1
523	0400066	1/4-20X3/4 HHCS GR5 ZP	1
524	0400349	3/8-16X3/4 FLT SOC HD	5
525	0400451	1/4 FLATWASHER ZP	1
526	0400452	1/4" HELICAL LCKWASHR ZP	1
527	0717262	SHIM - SLIDE PAD	2
528	0718134	PLATE - SLIDE PAD SUPPORT	1
--	0908430	KIT-D RING BOOM	
529	0400114	5/16-18X3 HHCS GR5 ZP	1
530	0400776	5/16-18 HEX NUT JAM NYLOK ZP	1
531	0719585	D-RING, TOWING	1
532	GA0215	PIN-"D" RING	1
--	0911093	9055 TOWER LESS U/L ASSY	
533	0300113	GREASE FITTING,1/4-28 STRAIGHT	2
534	0301601	CLAMP, HOSE, INSUL, 5/8	4
535	0301620	FITTING, HYD. 6MJ - 6MB90	2

Section I - PARTS (cont'd)

9055 3-STAGE 2-SPEED PARTS LIST (cont'd)

ITEM	PART NUMBER	DESCRIPTION	QTY
--	0911093	9055 TOWER LESS U/L ASSY (cont'd)	
536	0301662	HOSE HYD, 120" 6M1T 6FJX-6FJX	2
537	0302538	BUSHING - U/L	2
538	0302911	HOSE HYD, 88"	1
539	0306746	CYL HYD - FOLD	1
540	0306870	HOSE HYDR - 96"	1
541	0307420	SLEEVE, NYLON PROTECTIVE-24HG	2
542	0400122	3/8-16X1.25 HHCS GR5 ZP	1
543	0400132	3/8-16X1.5 HHCS GR5 ZP	1
544	0400176	1/2-13X1 HHCS GR5 ZP	1
545	0400196	1/2-13X1.25 SOCKET HD	4
546	0400392	3/8-16 NYLOK HEX NUT ZINC	1
547	0400480	3/8 FLATWASHER ZP	1
548	0400482	3/8" HELICAL LCKWSHR - ZP	1
549	0400491	1/2" HCL LKWSHR ZP	1
550	0706432	BLOCK - STOP	2
551	0710450	BAR - RETRACT	2
552	0713217	BAR	6
553	0714762	BAR - RETAINER	2
554	0717657	PLATE, STOP BLOCK SUPRT	2
555	0717851	BLOCK, STOP	2
556	0802459	PIN-FOLD CYL. WLDMT	1
557	0802460	PIN-TOWER PIVOT WLDMT	2
558	0802461	PIN-UNDERLIFT PIVOT WLMT	1
559	0804483	CABLE TIE BACK WLMT	2
560	0805960	TOWER WELDT - 9055	1
561	0806756	PIN WELD'T - FOLD CYLINDER	1
562	0906572	KIT-WINCH CABLE STOW	2
563	DE1381	1/2 WASHER SAE 17/32 ID	1
--	0906572	KIT-WINCH CABLE STOW	
564	0400257	5/8-11X3.25 HHCS GR5 ZP	1
565	0400421	5/8-11 NYLOK HEX NUT ZP	1
566	0804483	CABLE TIE BACK WLMT	1
567	9048800	5/8 WELDLESS CHAIN LINK	1
568	945030007	CABLE TIE BACK SPRING-1	1
--	0911095	9055 3STG DATA PKG	
569	0400002	4X1/4 DRIVE SCREW RD HD	4
570	0501441	PLATE-SERIAL & DATA 9055/CH-50	1

Section I - PARTS (cont'd)

LOWRIDER (9055) PARTS LIST

ITEM	PART NUMBER	DESCRIPTION	QTY
	125956033	9055 LOW RIDER 3 STAGE 2-SPD	
	0908114	9055 2/SPD 3STG BUA	1
	0908114	9055 2/SPD 3STG BUA	
	0903156	CROSSBAR-5" ASSY	1
	0908270	ASSEMBLY - LOWRIDER (9055)	1
	0911092	9055 3STG2SP PURC ASY LESS W/L	1
	0911095	9055 3STG DATA PKG	1
	0908270	ASSEMBLY - LOWRIDER (9055)	1
	0300113	GREASE FITTING,1/4-28 STRAIGHT	6
	0302538	BUSHING - U/L	2
	0303968	HOSE HYD, 10" LG	2
	0307425	CYL, HYD - U/L BOOM EXTEND	2
	0307460	FITTING, HYD 6MJ-6MB90LL	2
	0400079	1/4-20X3/4 FL SKTSCR GR5	8
	0400086	1/4-20X1.25 FLTHDSKTCPCSC	4
	0400139	3/8-16X1.5 HEX SKT SET	1
	0400181	1/2-13X1.5 HHCS GR5 ZP	5
	0400249	5/8-11X1.25" SOC HD CAP S	2
	0400344	1/2-13X3/4 LG FLAT HD SOCKET 8	8
	0400392	3/8-16 NYLOK HEX NUT ZINC	1
	0400491	1/2" HCL LKWSHR ZP	5
	0400594	1/4-20X5/8 SOC FLT HD	4
	0400749	1/2-13x1.25 FLT HD SKT CAP SRW	5
	0400749	1/2-13x1.25 FLT HD SKT CAP SRW	8
	0717869	PLATE, SPACER (BOLT-ON)	4
	0717871	PIN, CYLINDER ROD	1
	0717872	PIN, EXTEND CYLINDER BASE	1
	0717873	PIN, SHEAR OUTER BOOM	2
	0718087	PLATE - PAD SPACER	2
	0718096	BLOCK, STOP	2
	0724419	PLATE-PLUG RETAINER	2
	0806808	BOOM - OUTER WLD KIT	1
	0806812	BRACKET - EXTEND CYLINDER	1
	0806814	BOOM - 2nd STAGE WLMT	1
	0908282	INNER BOOM ASSY	1
	9012594	FITT,HYD RUN TEE, 6MJx6MBx6MJ	2
	930150003	TOP PADS	6
	0908282	INNER BOOM ASSY	
	0300113	GREASE FITTING,1/4-28 STRAIGHT	2
	0303088	BUSHING - PIVOT PIN	1
	0400483	3/8 CNTR'SUNK LOCKWASHER	4
	0400594	1/4-20X5/8 SOC FLT HD	4
	0400653	FLAT HD SOCKET SCRW 3/8-24 X 1	4
	0706996	PAD, SPACER	1
	0806813	BOOM - 3rd STAGE WLMT U/L	1
	930150003	TOP PADS	2

CENTURY®

Miller Industries Towing Equipment Inc.

8503 Hilltop Drive • Ooltewah, Tennessee 37363 • (423) 238-4171

www.millerind.com