

CENTURY®

LEGENDARY LEADERSHIP



OWNER'S MANUAL

712 / 716 Wrecker & Formula III T

INSTALLATION, OPERATION, MAINTENANCE & PARTS

**NOTE: MANUAL including SPECIFICATIONS, subject to change without notice.
All ratings specified are based on structural factors only,
not vehicle capacities or capabilities.**

CENTURY®

Miller Industries Towing Equipment Inc.
8503 Hilltop Drive
Ooltewah, Tennessee 37363

FORM NO. 0500739
04 / 97

Phone (423) 238-4171 • FAX (423) 238-5371

PRICE \$25.00

LIMITED WARRANTY

MILLER INDUSTRIES TOWING EQUIPMENT INC., hereinafter referred to as MILLER, warrants to the original purchaser that each new MILLER wrecker or other MILLER products will be free from defects in material and workmanship for a period of twelve (12) months from date placed in service, but in no event shall such warranty period exceed twenty-four (24) months from date of manufacture by MILLER. The purchaser must promptly notify MILLER in writing of any failure in material or workmanship. In no event shall MILLER accept such notification later than twenty-four (24) months from date of delivery or twelve (12) months from date placed in service, whichever is earlier.

MILLER's obligation under this warranty, statutory or otherwise, is limited to the repair or replacement at the MILLER factory, or at a point designated by MILLER, of such part or parts as shall appear upon inspection by MILLER to be defective in material or workmanship. New or remanufactured parts will be used for any replacement at MILLER's option. This warranty is not transferable. This warranty does not obligate MILLER to bear the cost of labor or transportation charges in connection with the repair or replacement of any parts found to be defective, nor shall it apply to a product upon which repairs or alterations have been made unless authorized by MILLER.

EXCEPT AS EXPRESSLY SET FORTH IN THIS WARRANTY, MILLER MAKES NO OTHER WARRANTY, EXPRESS OR IMPLIED, AND HEREBY DISCLAIMS ALL OTHER WARRANTIES INCLUDING, BUT NOT LIMITED TO, THE IMPLIED WARRANTIES OF MERCHANTABILITY AND FITNESS FOR A PARTICULAR PURPOSE. MILLER shall in no event be liable for claimed downtime, claimed loss of profits or goodwill, or any other special, incidental, indirect, or consequential damages concerning or relating to any product or parts, whether based on negligence, strict liability, breach of contract, breach of warranty, misrepresentation or any other legal theory, regardless of whether the loss resulted from any general or particular requirement which MILLER knew or had reason to know about at the time of sale.

MILLER MAKES NO WARRANTY, EXPRESS OR IMPLIED, AS TO THE FINISHED PRODUCTS MANUFACTURED OR SUPPLIED BY ANOTHER MANUFACTURER AND SUPPLIED BY MILLER TO PURCHASER, including, but not limited to, any vehicle to which a MILLER product may be affixed or any accessories or wire rope, and MILLER EXPRESSLY DISCLAIMS ANY IMPLIED WARRANTIES OF MERCHANTABILITY OR FITNESS FOR A PARTICULAR PURPOSE AS TO SUCH EQUIPMENT OR PRODUCTS. This language shall in no way affect or diminish the rights of the purchaser to rely on such warranties as are extended by such manufacturers or suppliers. MILLER shall, to the extent permitted under applicable law, pass on to the purchaser such manufacturer's or seller's warranty.

MILLER, whose policy is one of continuous improvement, reserves the right to improve its products through changes in design or materials as it may deem desirable without being obligated to incorporate such changes in products previously sold. This warranty is not intended to cover or include the following items, which are set forth by way of example and not limitation:

- A. Normal deterioration of trim, paint, lettering, and appearance items due to wear or exposure to weather, road conditions, road treatments, etc.
- B. Any damage or defect due to accident, misuse, abuse, improper or unauthorized repairs, failure to provide reasonable and necessary maintenance, or uses for which the equipment was not designed or intended.
- C. Alterations or modifications that affect performance, operation or reliability.
- D. Normal maintenance parts including, but not limited to, wear pads, bushings, wire rope, mud flaps, fenderettes, light bulbs, hydraulic oil, filters, and tow sling belts.

IT IS EXPRESSLY UNDERSTOOD THAT MILLER MAKES NO IMPLIED WARRANTY THAT MILLER PRODUCTS SHALL BE FIT FOR THE PURPOSE OF LIFTING OR MOVING PEOPLE OR FOR ANY OTHER IMPROPER USE.



Miller Industries Towing Equipment Inc.
8503 Hilltop Drive
Ooltewah, Tennessee 37363

Telephone (423) 238-4171

SERIAL NUMBER

Section VI - PARTS

This Section is provided by the manufacturer for the purpose of ordering any component part of the **712 or 716 Wrecker and Formula IIIT Wheel Lift** that may be required when part replacement is necessary.

Be certain to use only original equipment replacement parts for warranty purposes as well as for keeping your **712 or 716 Wrecker and Formula IIIT Wheel Lift** in its original state and optimum operating capacities.

When ordering replacement or spare parts be sure to provide the following information to the manufacturer's **Parts Department**.

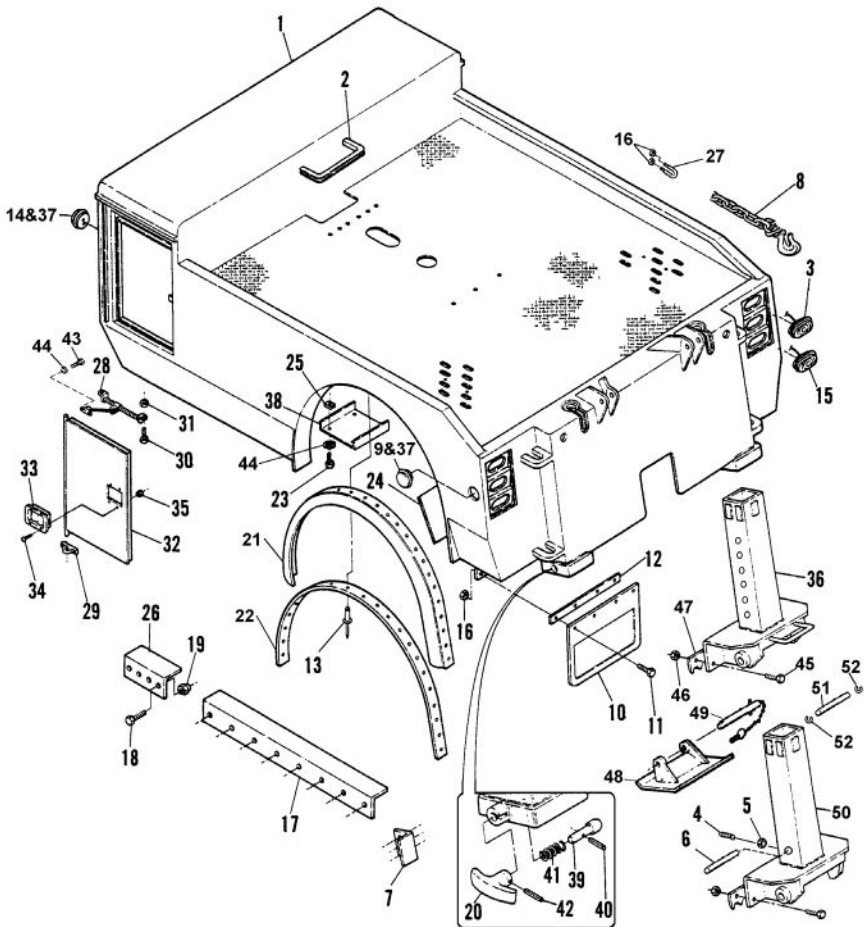
1. **Manual Number & Date of Publication**
2. **Manual Page Number**
3. **Page Title**
4. **Reference Number of Part Desired**
5. **Part Number**
6. **Part Description**
7. **Quantity of Part Desired**

Providing this information will help ensure that the correct parts will be delivered to you in an expedient manner. Should additional information be required for repair or replacement of certain components, contact your Wrecker Manufacturer Authorized Representative.

The Manufacturer reserves the right, without notice or obligation, to improve or modify their products, which may change the specifications, models and feature availability.

Section VI - PARTS (cont'd)

84" C.A. BODY ASSEMBLY



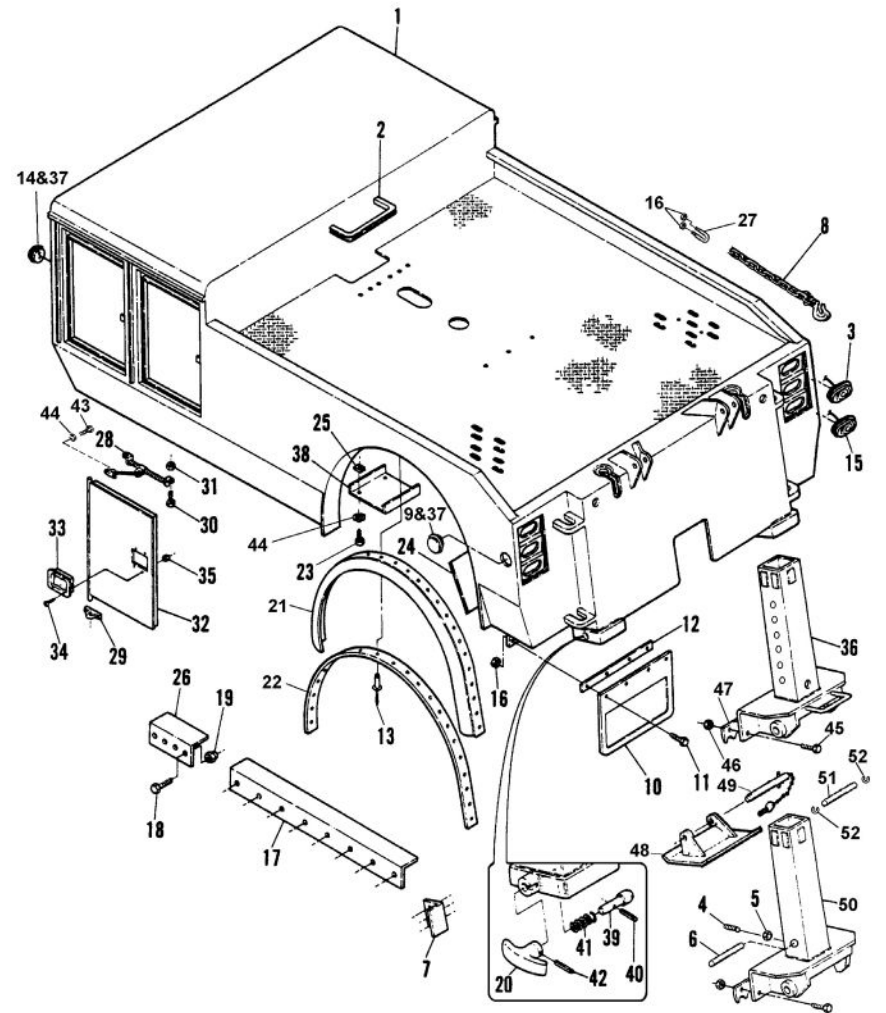
Section VI - PARTS (cont'd)
84" C.A. BODY ASSEMBLY

REF. NO.	NO. REQ'D	PART NUMBER	DESCRIPTION
1	1	0803037	BODY WELDMENT, 84" C.A.
2		0301799	FLEXIBLE TRIM
3	4	0301390	LIGHT, RED
4	1	0400139	SCREW, 3/8"-16 X 1-1/2" HEX SKT SET
5	1	0400392	NUT, 3/8"-16 NYLOK HEX
6	1	0705500	SHAFT, LOWER SPADE
7	2	0706553	ANGLE, TAILGATE MOUNTING
8	2	0303086	CHAIN, SAFETY
9	2	0301741	MARKER, SEALED RED
10	2		MUD FLAP
11	10	0400122	SCREW, 3/8"-16 X 1-1/4" HEX HD CAP
12	2	0705092	BAR, MUD FLAP
13	40	0400566	RIVET, 1/4"
14	2	0301742	MARKER, SEALED YELLOW
15	2	0302201	LIGHT, WHITE BACK-UP
16	14	0400392	NUT, 3/8"-16 HEX NYLOK
17	2	0705493	ANGLE, REAR MOUNTING
18	30	0400264	SCREW, 5/8"-11 X 2-1/4" HEX HD CAP
19	30	0400421	NUT, 5/8"-11 HEX NYLOK
20	2	0300331	HANDLE, PLUNGER "T"
21	2	0704047	RUBBER FENDER
22	2	0706609	RETAINING STRIP
23	8	0400066	SCREW, 1/4"-20 x 3/4" HEX HD CAP
24	2	0705497	MUD GUARD
25	8	0400369	NUT, 1/4" "J" TINNERMAN
26	2	0705492	ANGLE, FRONT MOUNTING

REF. NO.	NO. REQ'D	PART NUMBER	DESCRIPTION
27	2	0302376	CLAMP
28	2	0301912	HOLD BACK, DOOR CHECK
29	4	0304264	HINGE, DOOR
30	4	0400070	SCREW, 1/4"-20 X 1" HEX HD CAP
31	4	0400367	NUT, 1/4"-20 HEX NYLOK
32	2	0304480	DOOR, TOOL BOX (ORDER BY SIZE)
33	2	0302855	LATCH, TOOL COMPARTMENT DOOR
34	8	0400021	SCREW, #8-32 RD HD
35	8	0400351	NUT, #8-32 KEPS
36	2	0801664	SPADE, MANUAL REAR
37	4	0301740	GROMMET, LIGHT MOUNTING W/PLUG
38	2	0705497	MUD GUARD, CONTROL CROSS
39	2	0700526	ROD PLUNGER
40	2	0400563	PIN, ROLL
41	2	0300004	SPRING, PLUNGER
42	2	0400561	PIN, ROLL
43	4	0400060	SCREW, 1/4"-20 X 1/2" HEX HD CAP
44	8	0400452	WASHER, LOCK 1/4"
45	8	0400181	SCREW, 1/2"-13 X 1-1/2" HEX HD CAP
46	8	0400408	NUT, LOCK 1/2"-13
47	2	0705485	SPADE BLADE
48	2	0801665	SPADE PAD
49	2	0901311	SPADE PAD PIN ASSEMBLY
50	1	0801656	INNER SPADE TUBE (HYDRAULIC)
51	1	0705499	SHAFT, UPPER SPADE
52	2	0300110	RING, SNAP 1"

Section VI - PARTS (cont'd)

108" C.A. BODY ASSEMBLY

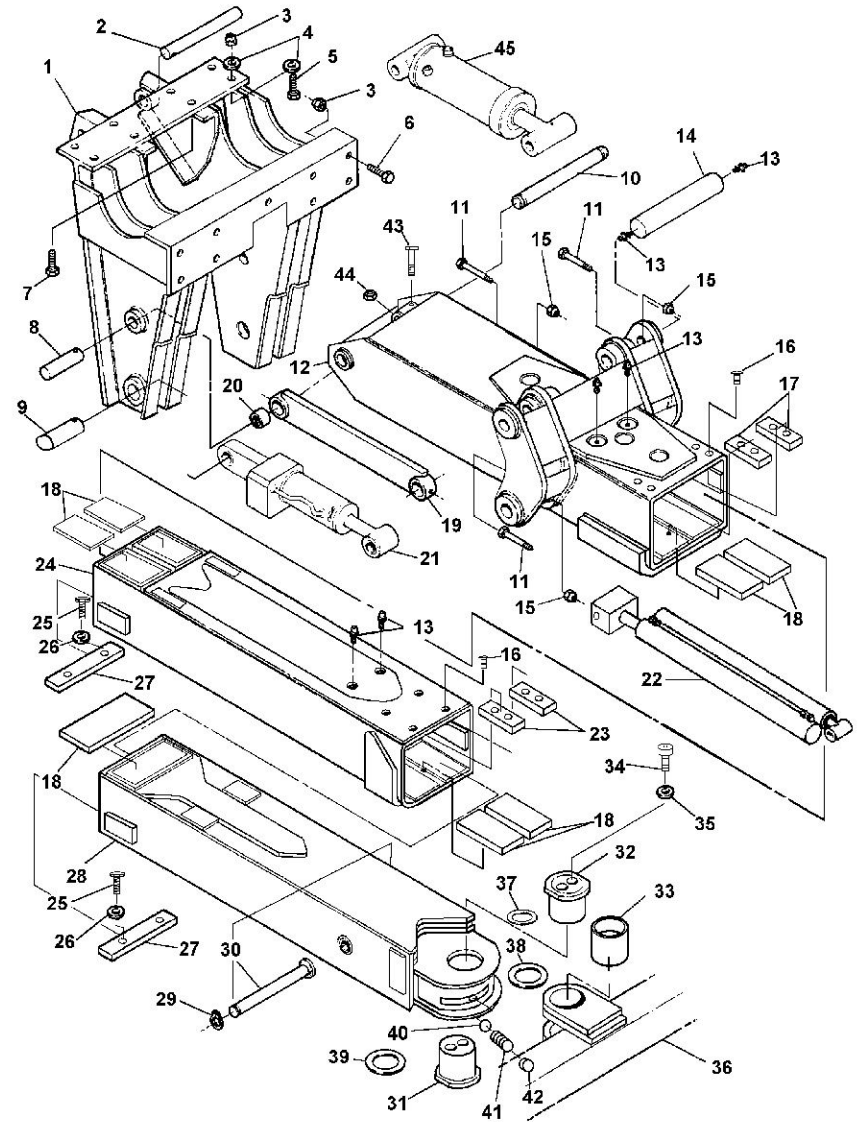


Section VI - PARTS (cont'd)
108" C.A. BODY ASSEMBLY

REF. NO.	NO. REQ'D	PART NUMBER	DESCRIPTION
1	1	0802930	BODY WELDMENT, 108" C.A.
2		0301799	FLEXIBLE TRIM
3	4	0301390	LIGHT, RED
4	1	0400139	SCREW, 3/8"-16 X 1-1/2" HEX SKT SET
5	1	0400392	NUT, 3/8"-16 NYLOK HEX
6	1	0705500	SHAFT, LOWER SPADE
7	2	0706553	ANGLE, TAILGATE MOUNTING
8	2	0303086	CHAIN, SAFETY
9	2	0301741	MARKER, SEALED RED
10	2	0301223	MUDFLAP
11	10	0400122	SCREW, 3/8"-16 X 1-1/4" HEX HD CAP
12	2	0705092	BAR, MUDFLAP
13	40	0400566	RIVET, 1/4"
14	2	0301742	MARKER, SEALED YELLOW
15	2	0302201	LIGHT, WHITE BACK-UP
16	14	0400392	NUT, 3/8"-16 HEX NYLOK
17	2	0705493	ANGLE, REAR MOUNTING
18	30	0400264	SCREW, 5/8"-11 X 2-1/4" HEX HD CAP
19	30	0400421	NUT, 5/8"-11 HEX NYLOK
20	2	0300331	HANDLE, PLUNGER "T"
21	1	0300505	LIGHT, BACK-UP (BUILT BEFORE 4/94)
22	1	0300501	LIGHT, STOP & TURN (BUILT BEFORE 4/94)
23	8	0400066	SCREW, 1/4"-20 x 3/4" HEX HD CAP
24	2	0705497	MUD GUARD
25	8	0400369	NUT, 1/4" "J" TINNERMAN
26	2	0705492	ANGLE, FRONT MOUNTING

REF. NO.	NO. REQ'D	PART NUMBER	DESCRIPTION
27	2	0302376	CLAMP
28	4	0301912	HOLDBACK, DOOR CHECK
29	8	0304264	HINGE, DOOR
30	8	0400070	SCREW, 1/4"-20 X 1" HEX HD CAP
31	8	0400367	NUT, 1/4"-20 HEX NYLOK
32	4	0304480	DOOR, TOOL BOX (ORDER BY SIZE)
33	4	0302855	LATCH, TOOL COMPARTMENT DOOR
34	16	0400021	SCREW, #8-32 RD HD
35	16	0400351	NUT, #8-32 KEPS
36	2	0801664	SPADE, MANUAL REAR
37	4	0301740	GROMMET, LIGHT MOUNTING W/PLUG
38	2	0705497	MUD GUARD, CONTROL CROSSROD
39	2	0700526	PIN, PLUNGER
40	2	0400568	PIN, ROLL
41	2	0300004	SPRING, PLUNGER
42	2	0400561	PIN, ROLL
43	4	0400060	SCREW, 1/4"-20 X 1/2" HEX HD CAP
44	8	0400452	WASHER, LOCK 1/4"
45	8	0400181	SCREW, 1/2"-13 X 1-1/2" HEX HD CAP
46	8	0400408	NUT, LOCK 1/2"-13
47	2	0705485	SPADE BLADE
48	2	0801665	SPADE PAD
49	2	0901311	SPADE PAD PIN ASSEMBLY
50	1	0801656	INNER SPADE TUBE (HYDRAULIC)
51	1	0705499	SHAFT, UPPER SPADE
52	2	0300110	RING, SNAP 1"

Section VI - PARTS (cont'd) FORMULA III T WHEEL LIFT ASSEMBLY



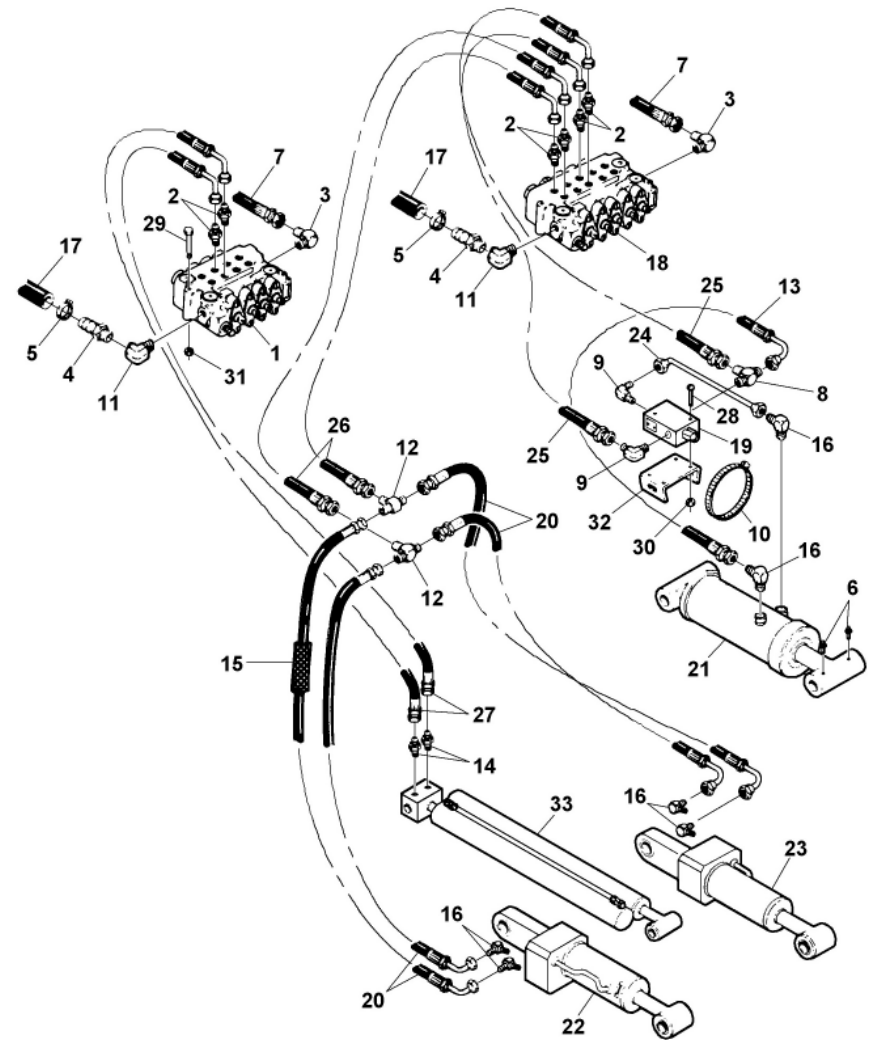
Section VI - PARTS (cont'd)
FORMULA IIIT WHEEL LIFT ASSEMBLY

REF. NO.	NO. REQ'D	PART NUMBER	DESCRIPTION
1	1	0802921	FRAME WELDMENT
2	1	HD55	PIN, CYLINDER BASE
3	17	0400421	NUT, 5/8"-11 NYLOK HEX
4	16	0400506	WASHER, 5/8" X 1-3/4" FLAT
5	4	0400264	SCREW, 5/8"-11 X 2-1/4" HEX HD CAP
6	9	0400260	SCREW, 5/8"-11 X 2" HEX HD CAP
7	4	0400254	SCREW, 5/8"-11 X 2-1/2" HEX HD CAP
8	2	HD67B	PIN, UPPER LINK
9	4	HD68B	PIN, LOWER LINK
10	1	0707271	PIN, EXTEND CYLINDER, BASE END
11	9	DE496	SCREW, 3/8"-16 X 3-3/4" HEX HD CAP
12	1	0802920	OUTER BOOM WELDMENT
13	16	0300113	GREASE FITTING
14	1	0710193	PIN, UPPER LINK & LIFT CYLINDER
15	9	0400392	NUT, 3/8"-16 NYLOK HEX
16	8	0400228	SCREW, 3/8"-24 X 5/8" BUTTON HD SKT
17	2	0703231	STOP BLOCK, 2ND STAGE
18	7	0302561	SLIDE PAD
19	2	HD58	UPPER LINK ARM WELDMENT
20	4	HD59	BEARING, LINK UPPER
21	REF.	0303102	TILT CYLINDER, LEFT
	REF.	0303103	TILT CYLINDER, RIGHT
22	REF.	HD130	CYLINDER, BOOM EXTENSION

REF. NO.	NO. REQ'D	PART NUMBER	DESCRIPTION
23	2	0707034	STOP PLATE
24	1	0802917	BOOM WELDMENT, 2ND STAGE
25	4	0400147	SCREW, 3/8"-24 X 5/8" HEX HD CAP
26	4	0400481	LOCKWASHER, 3/8" EXT. TOOTH
27	2	0707452	SPACER PAD
28	1	0802918	BOOM WELDMENT, 3RD STAGE
29	1	HD89	RETAINING RING, 1-5/16"
30	1	HD86	EXTEND CYLINDER PIN WELDMENT
31	1	0710055	PIVOT PIN, BOTTOM HALF
32	1	0710054	PIVOT PIN, TOP HALF
33	1	0302625	BUSHING
34	2	0400271	SCREW, 5/8"-11 X 4-1/2" SKT HD CAP
35	2	0400508	LOCKWASHER, 5/8" HELICAL
36	1	0803579	CROSSBAR WELDMENT
37	1	0303087	"O" RING, PIVOT PIN
38	2	0303105	THRUST WASHER, 1/8"
39	2	0303106	THRUST WASHER, 1/16"
40	1	0301398	BALL, 1-3/16" DIA. STEEL
41	1	0301197	COMPRESSION SPRING, CROSSBAR
42	1	0710195	SPACER, DETENT SPRING
43	1	0400107	SCREW, 5/16"-18 X 2-1/2" HEX HD CAP
44	1	0400382	NUT, 5/16"-18 NYLOK HEX
45	REF.	0303101	LIFT CYLINDER

Section VI - PARTS (cont'd)

FORMULA IIIIT WHEEL LIFT HYDRAULICS



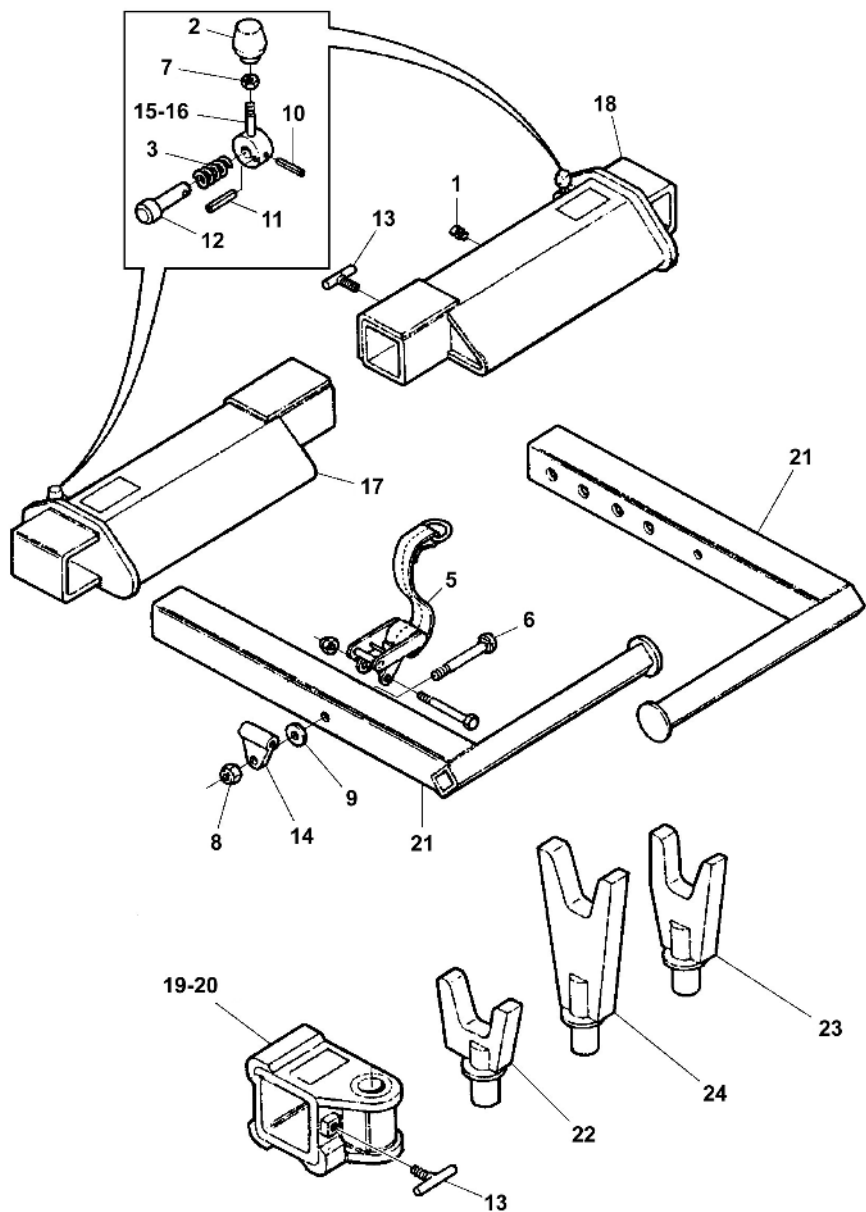
Section VI - PARTS (cont'd)

FORMULA IIIT WHEEL LIFT HYDRAULICS

REF. NO.	NO. REQ'D	PART NUMBER	DESCRIPTION
1	1	0300011	VALVE, 4 SPOOL
2	6	0300044	CONNECTOR, 6MJ-8MB
3	2	0300052	ELBOW, 8MJ-10MB90
4	2	0300055	HOSEBARB, 12C4-12MP
5	2	0300071	CLAMP, HOSE 1"
6	2	0300113	GREASE FITTING
7	2	0300165	HOSE ASSEMBLY, 91" H.P.
8	1	0300206	BRANCH TEE, 6MJ-6MJ-4MP
9	2	0300209	ELBOW, 6MJ-6MP90
10	1	0300365	CLAMP, CHECK VALVE RETAINING, 7"
11	2	0301375	ELBOW, STREET, 12MB-12FP90
12	2	0301377	TEE, 6MJ-6MJ-6MJ
13	1	0301473	HOSE ASSEMBLY, 18"
14	2	0301522	CONNECTOR, 6MJ-6MB
15	10	0301580	BLACK HOSE "SKUFF" JACKET
16	6	0301620	ELBOW, 6MJ-6MB90
17	7 FT.	0301674	RETURN HOSE, 3/4"
18	1	0302179	VALVE, 5 SPOOL
19	1	0302476	HOLDING VALVE, 3000 PSI
20	4	0302881	HOSE ASSEMBLY, 45"
21	1	0303101	LIFT CYLINDER
22	1	0303102	TILT CYLINDER, LEFT
23	1	0301303	TILT CYLINDER, RIGHT
24	1	0303160	TUBE ASSEMBLY, LIFT CYLINDER
25	2	0303169	HOSE ASSEMBLY, 104"
26	2	0303170	HOSE ASSEMBLY, 75"
27	4	0303171	HOSE ASSEMBLY, 111"
28	2	0400090	SCREW, 1/4"-20 X 1-3/4" RD HD
29	2	0400140	SCREW, 3/8"-16 X 4" HEX HD CAP
30	6	0400367	NUT, 1/4"-20 NYLOK HEX
31	6	0400392	NUT, 3/8"-16 NYLOK HEX
32	1	0700238	BRACKET, HOLDING VALVE
33	1	HD130	CYLINDER, BOOM EXTEND

Section VI - PARTS (cont'd)

OUTER CROSSTUBE & LIFT ADAPTERS



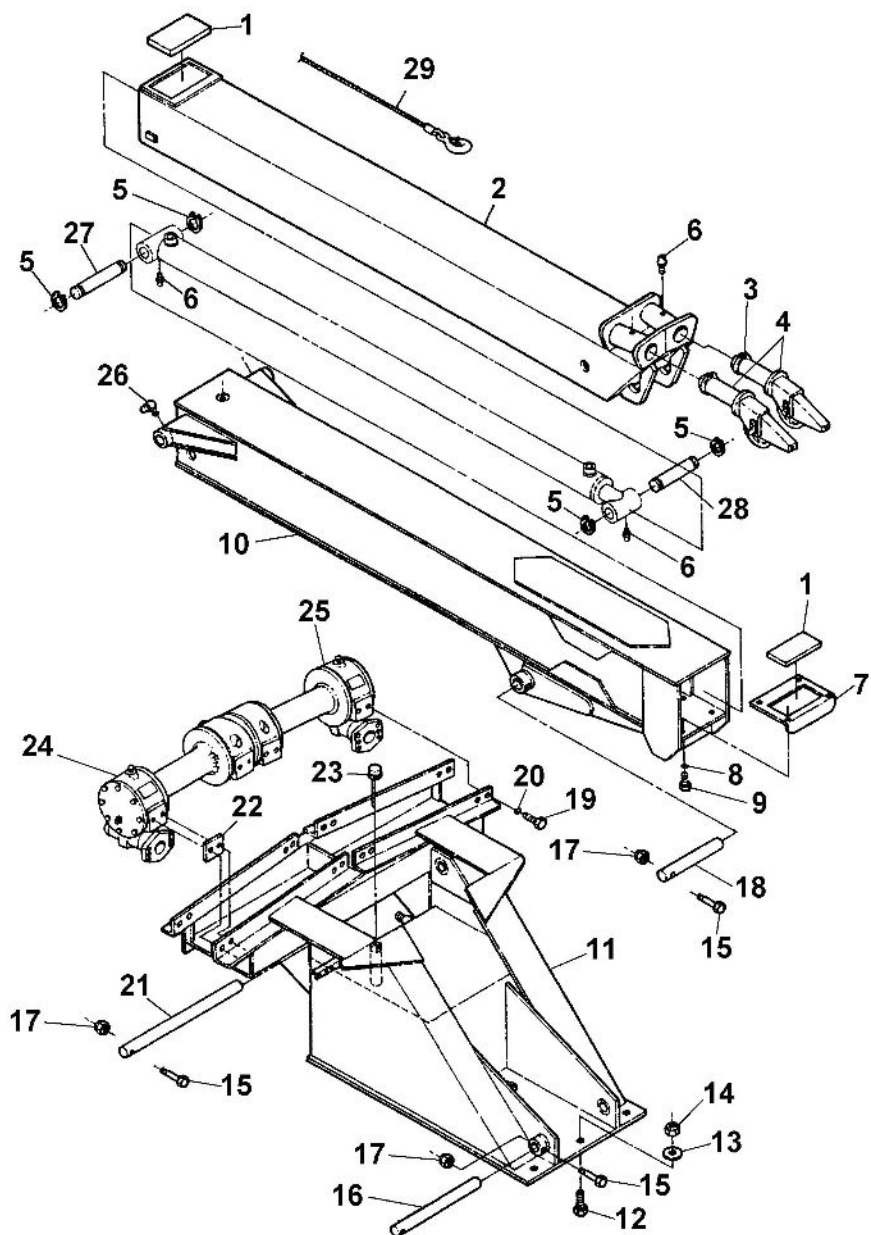
Section VI - PARTS (cont'd)

OUTER CROSSTUBE & LIFT ADAPTERS

REF. NO.	NO. REQ'D	PART NUMBER	DESCRIPTION
1	2	0300113	GREASE FITTING
2	2	0300341	KNOB, "L" BAR LOCK CONTROL
3	2	0301417	SPRING, PLUNGER PIN
4	2	0301681	EXTENSION, TIRE RESTRAINT
5	2	0301682	TIRE RESTRAINT
6	2	0400269	BOLT, 5/8"-11 X 4-1/2" CARRIAGE
7	2	0400393	NUT, 3/8"-16 HEX JAM
8	2	0400421	NUT, 5/8"-11 HEX NYLOK
9	2	0400506	WASHER, 5/8" FLAT
10	2	0400559	PIN, 3/16" X 1" ROLL
11	2	0400560	PIN, 5/32" X 1" ROLL
12	2	0706688	PIN, PLUNGER
13	4	0800590	HANDLE, "T"
14	2	0800839	BRACKET, RESTRAINT ASSEMBLY PIVOT
15	1	0802069	HANDLE, L.H. PLUNGER PIN
16	1	0802070	HANDLE, R.H. PLUNGER PIN
17	1	0802231	CROSSBAR, LEFT OUTER
18	1	0802232	CROSSBAR, RIGHT OUTER
19	1	0802249	ADAPTER, L.H. LIFT FORK OFFSET
20	1	0802250	ADAPTER, R.H. LIFT FORK OFFSET
21	2	0802606	RESTRAINT, TIRE MEDIUM
22	2	0802804	FORK, SHORT (3" OPENING)
23	2	0802805	FORK, MEDIUM (3" OPENING)
24	2	0802806	FORK, LONG (3" OPENING)

Section VI - PARTS (cont'd)

712 WRECKER ASSEMBLY



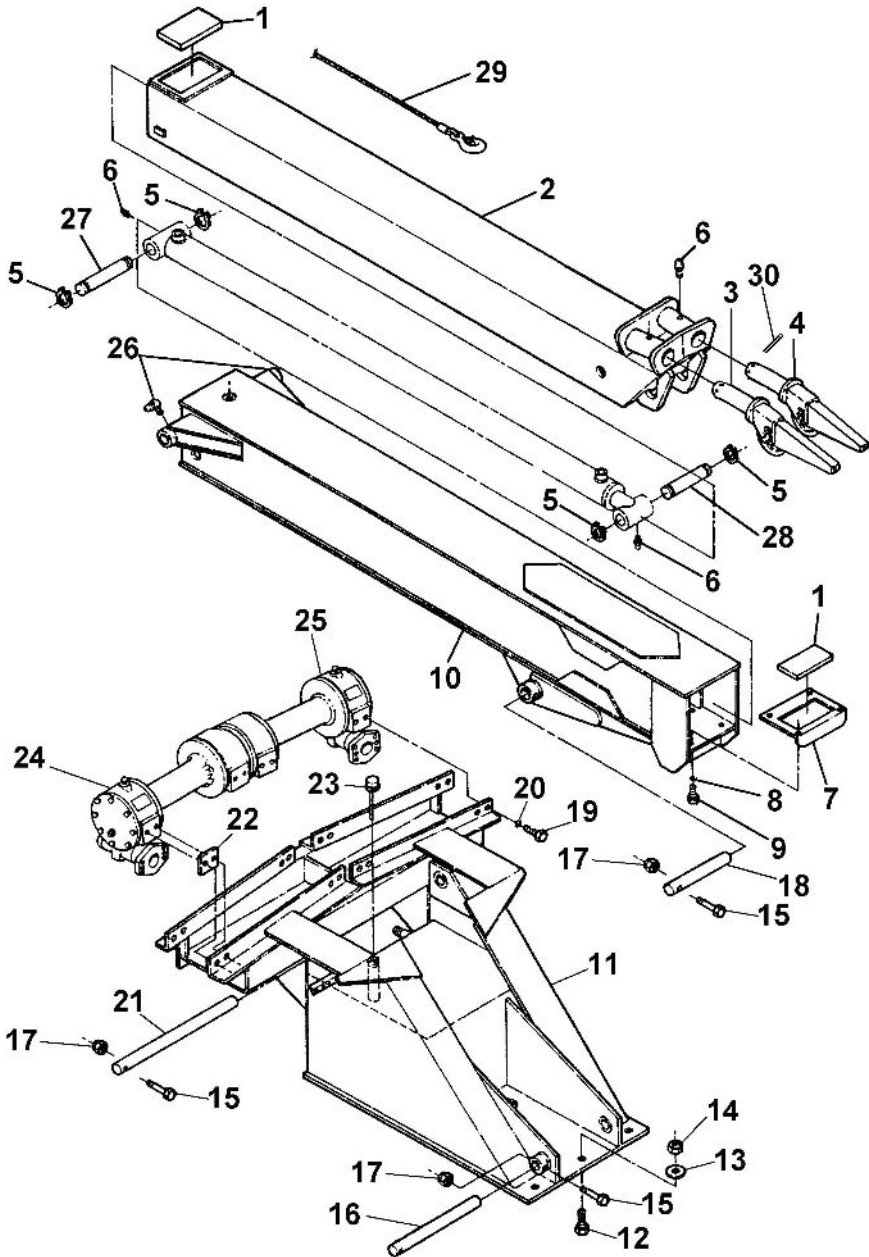
Section VI - PARTS (cont'd)

712 WRECKER ASSEMBLY

REF. NO.	NO. REQ'D	PART NUMBER	DESCRIPTION
1	2	0301582	PAD, BOOM SLIDE
2	1	0801666	BOOM, INNER
3	2	0300108	RING, RETAINING
4	2	0900007	SWIVEL ASSEMBLY
5	4	0301642	RING, RETAINING
6	4	0300113	GREASE FITTING
7	1	0705484	RETAINER, SLIDE PAD
8	4	0400452	LOCKWASHER, 1/4"
9	4	0400059	SCREW, 1/4"-20 X 5/8" HEX HD CAP
10	1	0802455	BOOM, OUTER
11	1	0801668	FRAME, 712 WRECKER
12	9	0400264	SCREW, 5/8"-11 X 2-1/4" HEX HD CAP
13	9	0400506	WASHER, 5/8" FLAT
14	9	0400421	NUT, 5/8"-11 HEX NYLOK
15	3	0400133	SCREW, 3/8"-16 X 3" HEX HD CAP
16	1	0705488	SHAFT, LIFT CYLINDER
17	3	0400392	NUT, 3/8"-16 HEX NYLOK
18	1	0705489	SHAFT, LIFT CYLINDER
19	16	0400234	SCREW, 7/16"-14 X 1-1/4" HEX HD CAP
20	16	0400487	LOCKWASHER, 7/16"
21	1	0705487	SHAFT, BOOM PIVOT
22	4	0706668	SHIM, WINCH MTG.
23	1	0801826	DIPSTICK, RESERVOIR
24	1	0302724	WINCH, LT.
25	1	0302149	WINCH, RT.
26	2	0301397	GREASE FITTING
27	1	0705490	SHAFT, EXTEND CYLINDER
28	1	0705491	SHAFT, EXTEND CYLINDER
29	2	0302626	WINCH, CABLE ASSEMBLY

Section VI - PARTS (cont'd)

716 WRECKER ASSEMBLY



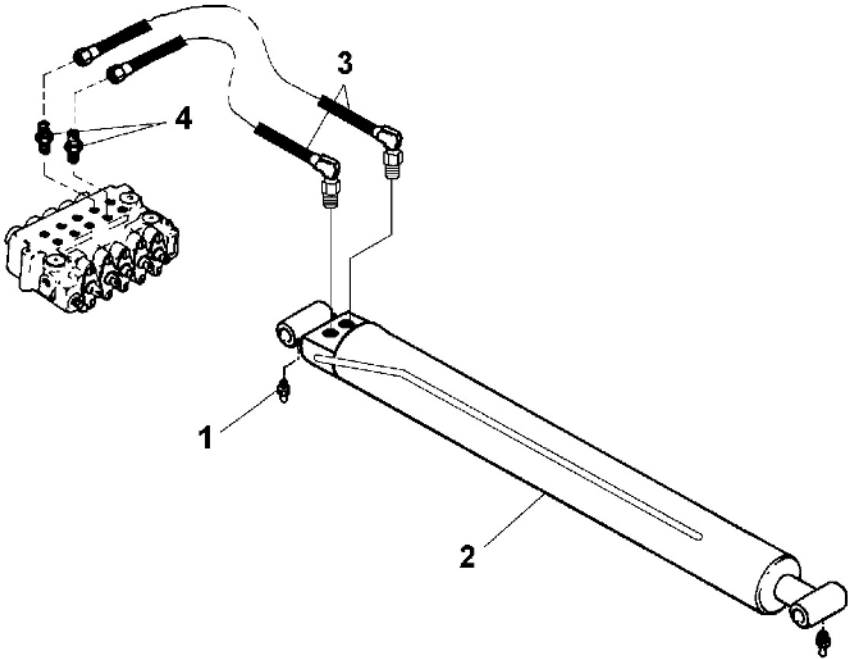
Section VI - PARTS (cont'd)

716 WRECKER ASSEMBLY

REF. NO.	NO. REQ'D	PART NUMBER	DESCRIPTION
1	2	0301582	PAD, BOOM SLIDE
2	1	0803005	BOOM, INNER
3	1	0900431	SWIVEL ASSEMBLY, BOOM END LEFT
4	1	0900432	SWIVEL ASSEMBLY, BOOM END RIGHT
5	4	0301642	RING, RETAINING
6	4	0300113	GREASE FITTING
7	1	0705484	RETAINER, SLIDE PAD
8	4	0400452	LOCKWASHER, 1/4"
9	4	0400059	SCREW, 1/4"-20 X 5/8" HEX HD CAP
10	1	0802455	BOOM, OUTER
11	1	0803006	FRAME, 716 WRECKER
12	9	0400264	SCREW, 5/8"-11 X 2-1/4" HEX HD CAP
13	9	0400506	WASHER, 5/8" FLAT
14	9	0400421	NUT, 5/8"-11 HEX NYLOK
15	3	0400133	SCREW, 3/8"-16 X 3" HEX HD CAP
16	1	0705488	SHAFT, LIFT CYLINDER
17	3	0400392	NUT, 3/8"-16 HEX NYLOK
18	1	0705489	SHAFT, LIFT CYLINDER
19	16	0400234	SCREW, 7/16"-14 X 1-1/4" HEX HD CAP
20	16	0400487	LOCKWASHER, 7/16"
21	1	0705487	SHAFT, BOOM PIVOT
22	4	0706668	SHIM, WINCH MTG.
23	1	0801826	DIPSTICK, RESERVOIR
24	1	0302617	WINCH, H-600 LT.
25	1	0302618	WINCH, H-600 RT.
26	2	0301397	GREASE FITTING
27	1	0705490	SHAFT, EXTEND CYLINDER
28	1	0705491	SHAFT, EXTEND CYLINDER
29	2	0302626	WINCH, CABLE ASSEMBLY
30	6	0400554	PIN, ROLL

Section VI - PARTS (cont'd)

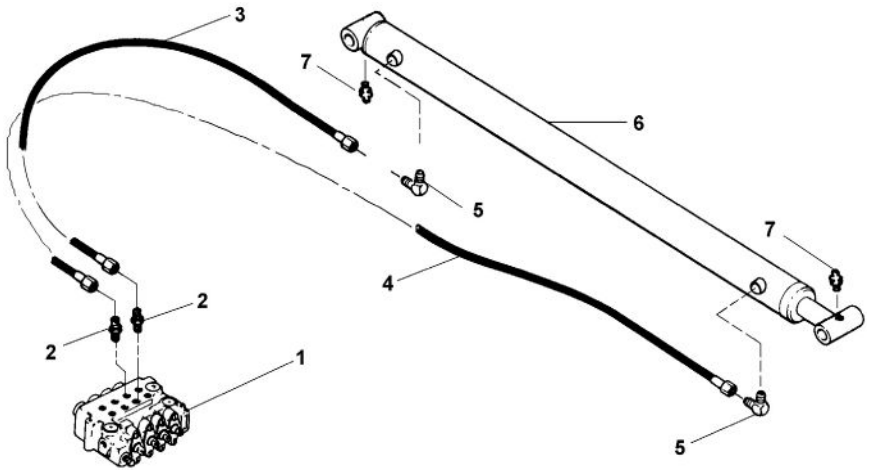
BOOM ELEVATION HYDRAULICS



REF. NO.	NO. REQ'D	PART NUMBER	DESCRIPTION
1	2	0300113	GREASE FITTING
2	1	0302720	CYLINDER, BOOM LIFT
3	2	0302728	HOSE ASS'Y, 42"
4	2	0300044	CONNECTOR, 6MJ-8MB

Section VI - PARTS (cont'd)

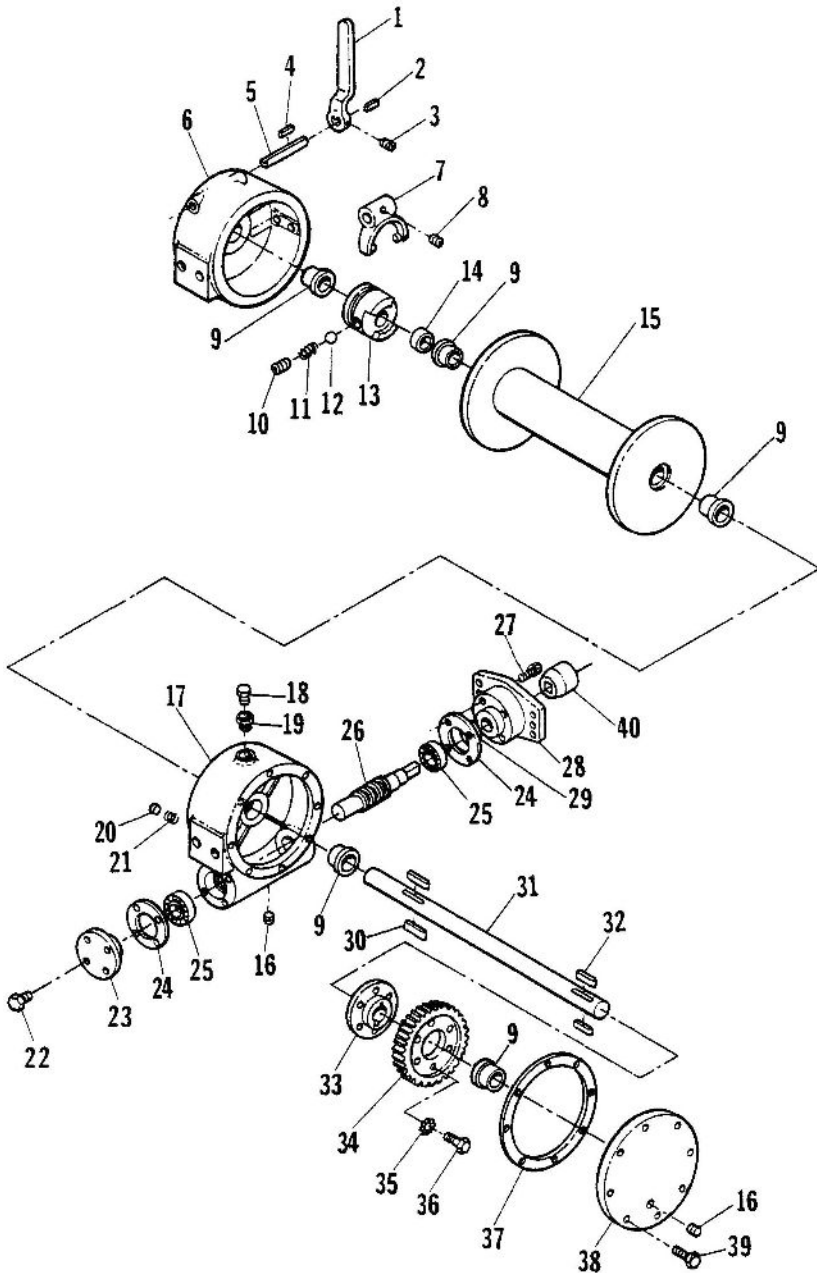
BOOM EXTENSION HYDRAULICS



REF. NO.	NO. REQ'D	PART NUMBER	DESCRIPTION
1	1	0300011	VALVE, CONTROL, 4 SPOOL
2	2	0300044	CONNECTOR, 6MJ-8MB
3	1	0300663	HOSE ASSY, 64"
4	1	0302732	HOSE ASSY, 140"
5	2	0300142	ELBOW, 6MJ-6MP90
6	1	0302721	CYLINDER, EXTENSION
7	2	0300113	GREASE FITTING

Section VI - PARTS (cont'd)

712 HYDRAULIC WINCH ASSEMBLY



Section VI - PARTS (cont'd)
712 HYDRAULIC WINCH ASSEMBLY

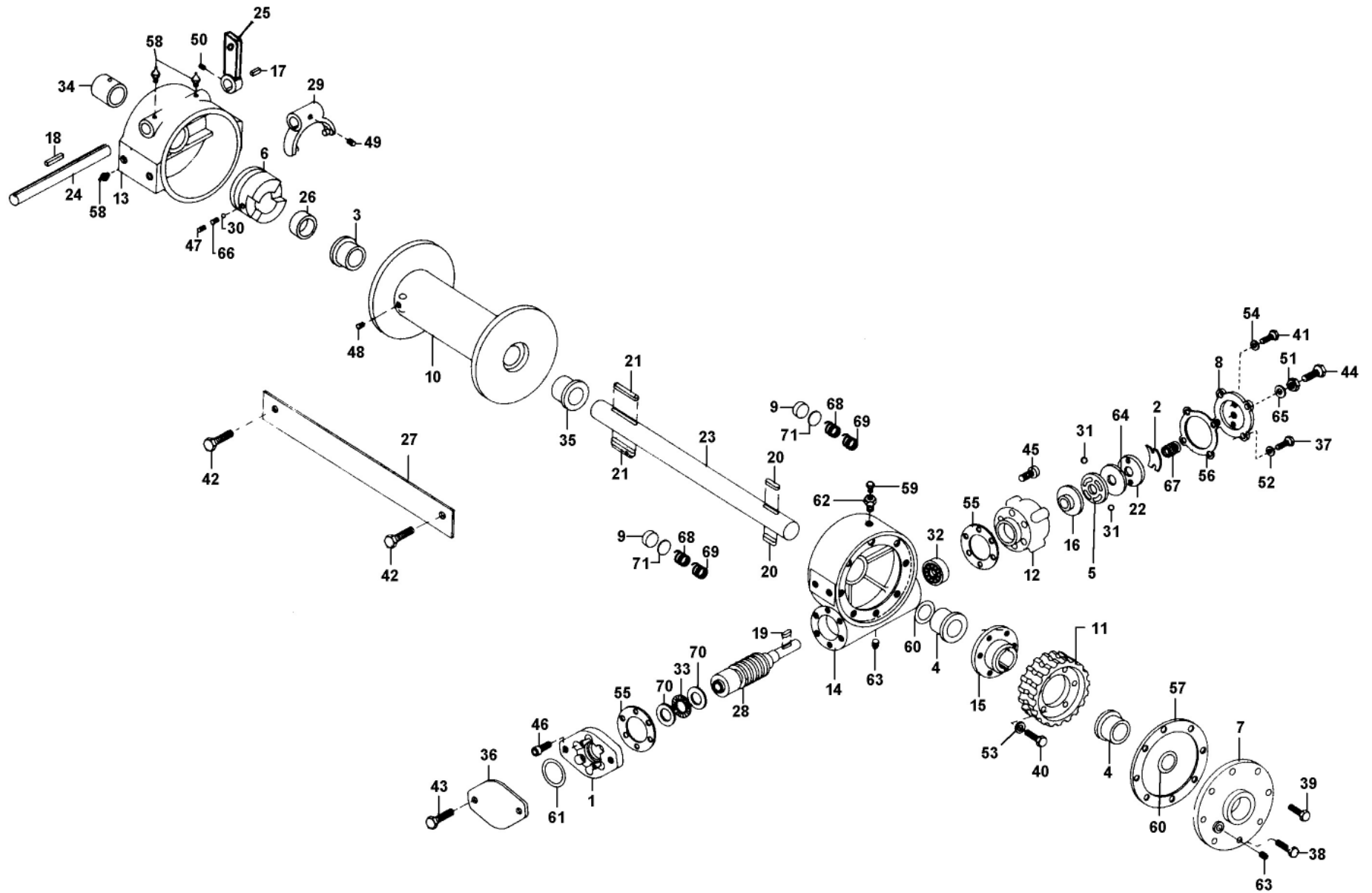
Section VI - PARTS (cont'd)
716 HYDRAULIC WINCH ASSEMBLY

REF. NO.	NO. REQ'D	PART NUMBER	DESCRIPTION
1	1	0300261	LEVER
2	1	0300448	KEY
3	1	0300449	SCREW
4	1	0300450	KEY
5	1	0300451	SHAFT
6	1	0300452	CLUTCH HOUSING
7	1	0300398	YOKE
8	1	0300399	SCREW
9	5	0300453	BUSHING
10	1	0300454	SCREW
11	1	0300455	SPRING
12	1	0300456	BALL
13	1	*	CLUTCH
14	1	0300458	SPACER
15	1	0300381	DRUM
16	2	0300459	PLUG
17	1	0300460	HOUSING
18	1	0300461	PLUG
19	1	0300462	REDUCER
20	1	0300463	DRAG BRAKE
21	1	0300464	SPRING
22	4	0300465	SCREW
23	1	0300466	CAP
24	2	0300447	GASKET
25	2	0300467	BEARING
26	1	0300468	WORM
27	1	0300695	SCREW
28	1	0300694	CAP, ADAPTOR
29	1	0300471	SEAL
30	2	*	KEY
31	1	*	SHAFT
32	2	*	KEY
33	1	0300472	HUB
34	1	0300473	GEAR
35	6	0300474	WASHER
36	6	0300475	SCREW
37	1	0300476	GASKET
38	1	0300477	COVER
39	16	0300569	SCREW
40	1	0300290	COUPLING

* WHEN ORDERING SPECIFY WINCH SERIAL NUMBER

Section VI - PARTS (cont'd)

716 HYDRAULIC WINCH ASSEMBLY



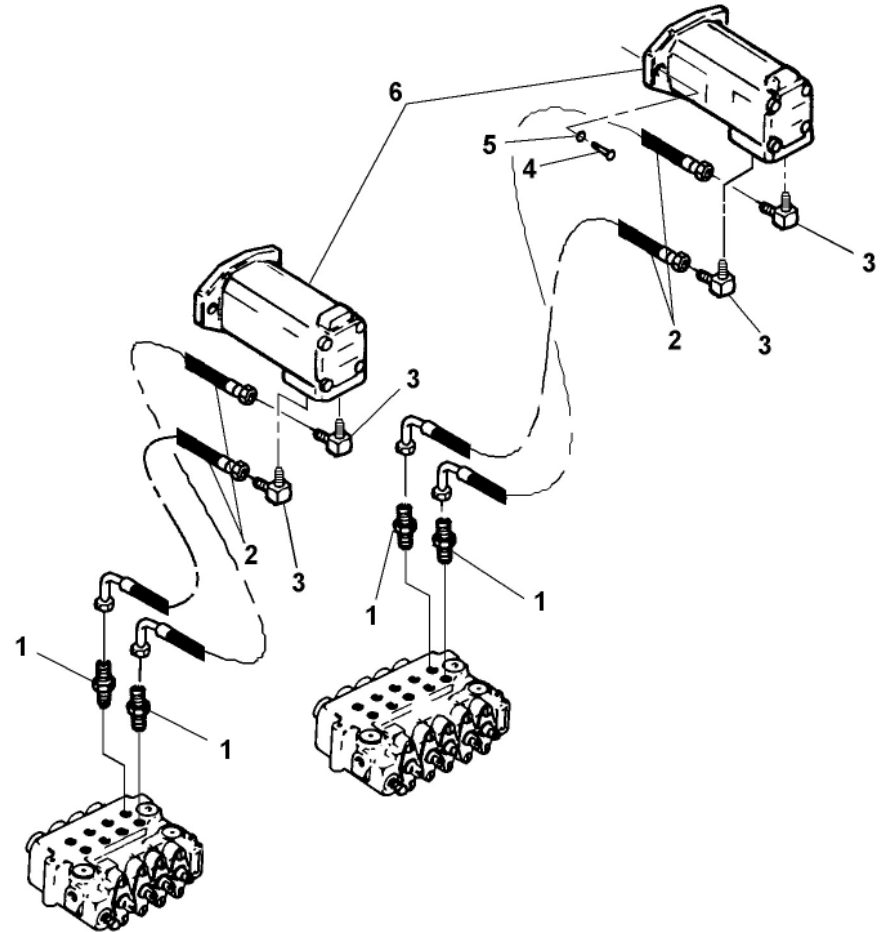
Section VI - PARTS (cont'd)

716 HYDRAULIC WINCH ASSEMBLY

REF. NO.	NO. REQ'D	PART NUMBER	DESCRIPTION
1	1	300062	ADAPTER
2	1	306036	SPRING, FLAT
3	1	308046	BUSHING
4	2	038048	BUSHING
5	1	314003	PLATE, CAM
6	1	324163	CLUTCH, JAW
7	1	328046	COVER
8	1	328057	COVER, BRAKE
9	2	330010	SHOE, DRAG BRAKE
10	1	332140	DRUM, 600
11	1	334050	GEAR, R.H.
12	1	338038	HOUSING, BRAKE
13	1	338040	HOUSING, CLUTCH
14	1	338270	HOUSING, GEAR
15	1	340014	HUB, GEAR
16	1	340024	HUB, BRAKE
17	1	342024	KEY, SQ. END
18	1	342032	KEY, SQ. END
19	1	342051	KEY, RD. END
20	2	342120	KEY, RD. END
21	2	450017	KEY, BARTH
22	1	352020	PLATE, RETAINER
23	1	357466	SHAFT, DRUM, 600
24	1	356945	SHAFT, SHIFTER
25	1	358001	SHIFTER, HANDLE
26	1	362007	SPACER, DRUM
27	1	364047	SHIP STRAP
28	1	368195	WORM, R.H.
29	1	370003	YOKE
30	1	400003	BALL, POPPET
31	1	400007	BALL, BRAKE
32	1	402044	BEARING, BALL
33	1	402107	BEARING, THRUST
34	1	412005	BUSHING
35	1	412006	BUSHING, 600
36	1	413013	COVER, ADAPTER
37	4	414111	CAP SCREW, 5/16-18 NC X 1" HEX HD GR. 5
38	1	414140	CAP SCREW, 5/16-18 NC X 3/4" HEX HD GR. 5 NYLOK H/P
39	7	414141	CAP SCREW, 5/16-18 NC X 1" LG HEX HD GR. 5 NYLOK H/P

REF. NO.	NO. REQ'D	PART NUMBER	DESCRIPTION
40	6	414283	CAP SCREW, 3/8-16 NC X 1-1/4" LG HEX HD GR. 8
41	2	414398	CAP SCREW, 3/8-24 NF X 1" LG HEX HD GR. 5 NYLOK H/P
42	2	414411	CAP SCREW, 7/16-14 NC X 3/4" LG HEX HD GR. 5
43	2	414581	CAP SCREW, 1/2-13 NC X 3/4" LG HEX HD C.P. GR. 5
44	1	414603	CAP SCREW, 1/2-20 NF X 1-3/4" LG HEX HD GR.5 ALL-THD
45	6	414865	CAP SCREW, 5/16-18 NC X 1" LG HEX SOC HD
46	6	414887	CAP SCREW, 5/16-18 NC X 1" LG SOC BUTTON HD ND STRIP
47	1	414971	SCREW, POPPET 1/2-20 NF HD LESS DR SLOT
48	1	416059	SET SCREW, 3/8-16 NC X 1/2" LG HEX SOC HD
49	1	416109	SET SCREW, 5/16-18 NC X 1/2" LG SQ HD
50	1	416112	SET SCREW, 5/16-18 NC X 3/4" LG SQ HD
51	1	418067	NUT, JAM 1/2-20 NF HEX
52	4	418163	LOCKWASHER, 5/16" MED SECT
53	6	418176	LOCK WASHER, 3/8" MED SECT
54	2	418184	WASHER, FLAT 3/8" ALUM
55	2	442182	GASKET
56	1	442190	GASKET
57	1	442191	GASKET
58	3	456006	FITTING, LUBE
59	1	456008	FITTING, RELIEF
60	2	462003	QUAD, RING
61	1	462029	"O"-RING
62	1	468002	REDUCER
63	2	468011	PLUG, PIPE
64	1	474004	PLATE
65	1	486076	THREAD, SEAL
66	1	494005	SPRING
67	1	494010	SPRING
68	2	494088	SPRING
69	2	494089	SPRING
70	2	518026	WASHER, THRUST
71	2	530094	SPACER, BRAKE DISC

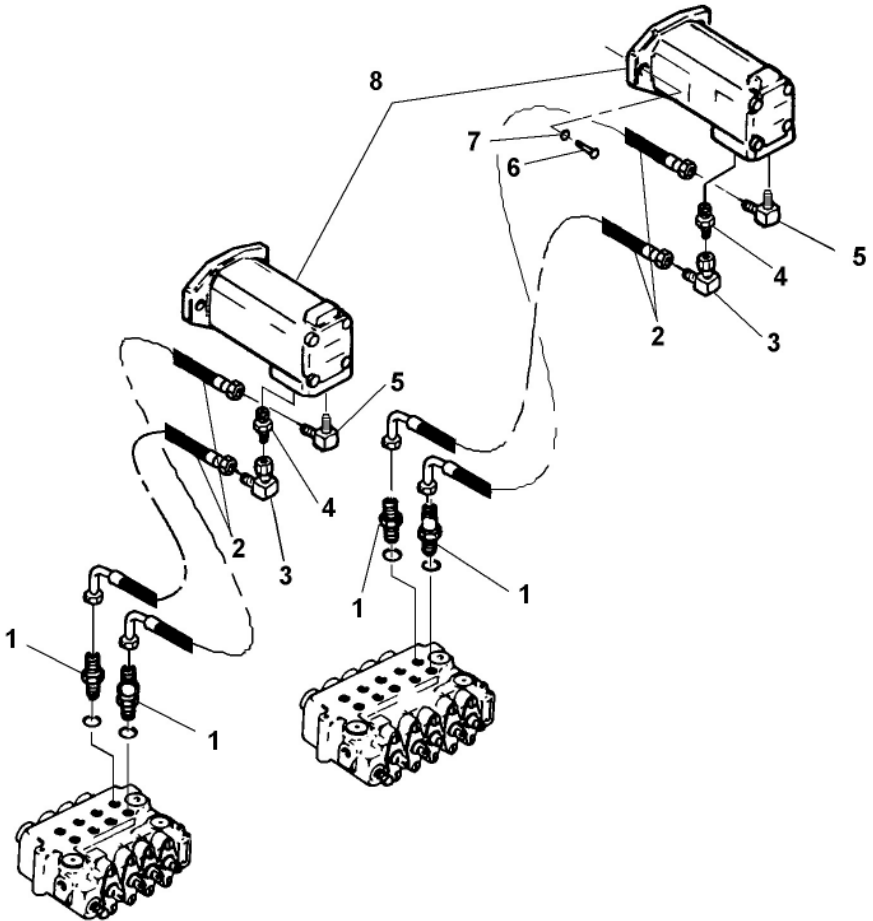
Section VI - PARTS (cont'd) 712 WINCH MOTOR HYDRAULICS



REF. NO.	NO. REQ'D	PART NUMBER	DESCRIPTION
1	4	0300041	CONNECTOR, 8MJ-8MB
2	4	0300787	HOSE ASSY, MOTOR, 53"
3	4	0300052	ELBOW, 8MJ-10MB90°
4	4	0400196	SCREW, 1/2"-13 X 1.25" SOCKET HEAD CAP
5	4	0400491	WASHER, 1/2", LOCK, HELICAL
6	2	0302469	MOTOR, HYD., CHAR-LYNN, #103-1538-010

Section VI - PARTS (cont'd)

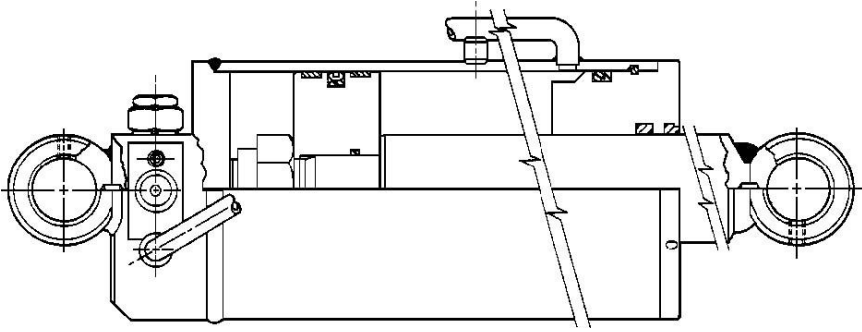
716 WINCH MOTOR HYDRAULICS



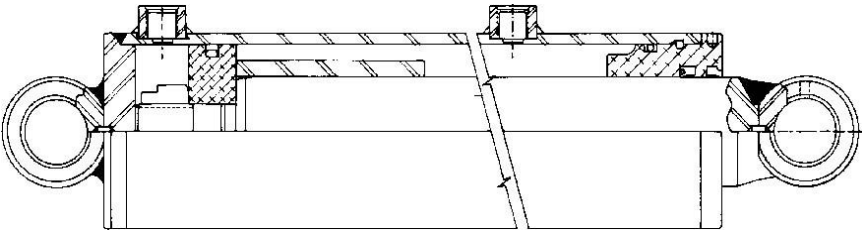
REF. NO.	NO. REQ'D	PART NUMBER	DESCRIPTION
1	4	0300041	CONNECTOR, 8MJ-8MB
2	4	0300787	HOSE ASSY, MOTOR, 53"
3	2	0302488	ELBOW, 8MJ-8FJX90°
4	2	0301376	CONNECTOR, 8MJ-10MB
5	2	0300057	ELBOW, 8MJ-10MB90°
6	4	0400196	SCREW, 1/2"-13 X 1.25" SOCKET HEAD CAP
7	4	0400491	WASHER, 1/2", LOCK, HELICAL
8	2	0302469	MOTOR, HYD., CHAR-LYNN, #103-1538-010

Section VI - PARTS (cont'd)

HYDRAULIC CYLINDERS - WRECKER



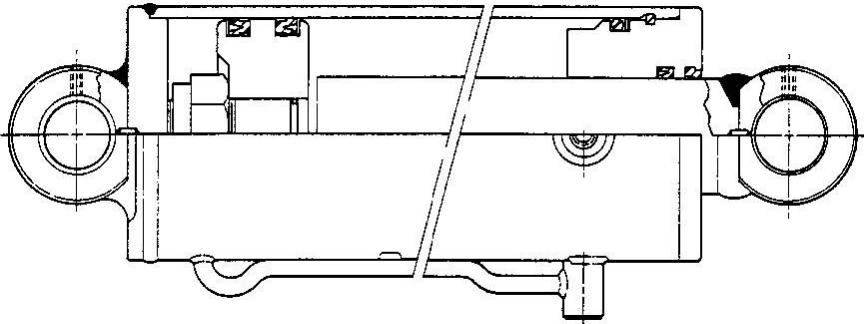
REF. NO.	NO. REQ'D	PART NUMBER	DESCRIPTION
1	1	0302720	CYLINDER, BOOM LIFT (COMPLETE)
2	1	0304446	KIT, BOOM LIFT CYLINDER SEAL



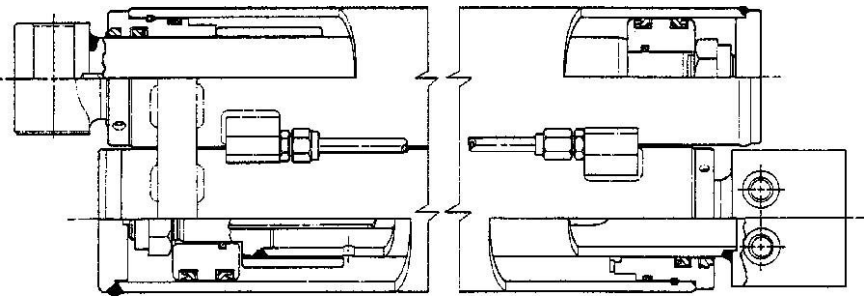
REF. NO.	NO. REQ'D	PART NUMBER	DESCRIPTION
1	1	0302721	CYLINDER, BOOM EXTEND (COMPLETE)
2	1	0304447	KIT, BOOM EXTEND CYLINDER SEAL

Section VI - PARTS (cont'd)

HYDRAULIC CYLINDERS - UNDERLIFT



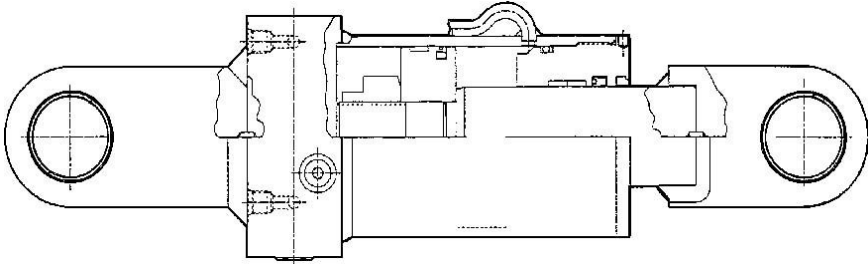
REF. NO.	NO. REQ'D	PART NUMBER	DESCRIPTION
1	2	0303101	CYLINDER, UNDERLIFT LIFT (COMPLETE)
2	--	0304499	KIT, UNDERLIFT LIFT CYLINDER SEAL



REF. NO.	NO. REQ'D	PART NUMBER	DESCRIPTION
1	1	HD130	CYLINDER, UNDERLIFT EXTEND (COMPLETE)
2	1	HD163	KIT, UNDERLIFT EXTEND CYLINDER SEAL

Section VI - PARTS (cont'd)

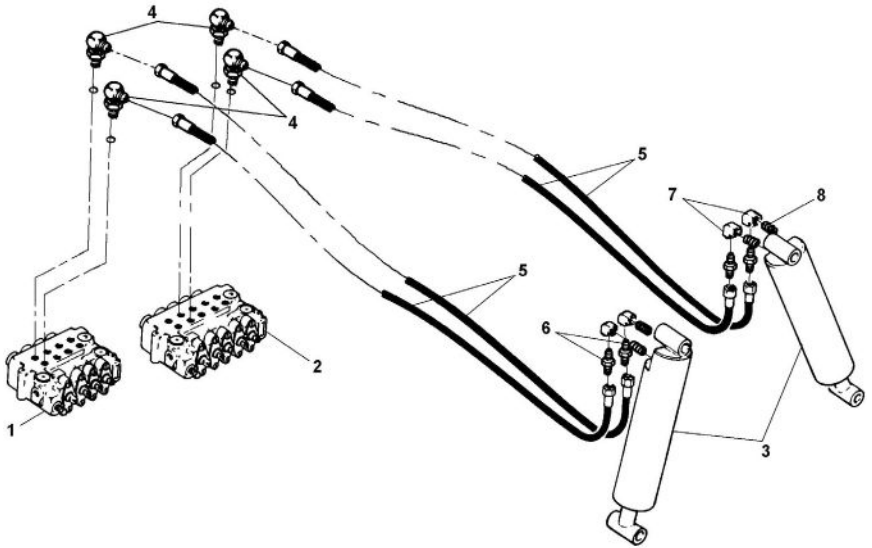
HYDRAULIC CYLINDERS - UNDERLIFT



REF. NO.	NO. REQ'D	PART NUMBER	DESCRIPTION
1	1	0303102	CYLINDER, LT TILT
	1	0303103	CYLINDER, RT TILT
2	--	0304500	KIT, BOOM LIFT CYLINDER SEAL (TEXAS)
	--	0304625	KIT, BOOM LIFT CYLINDER SEAL (SOUTHERN)

Section VI - PARTS (cont'd)

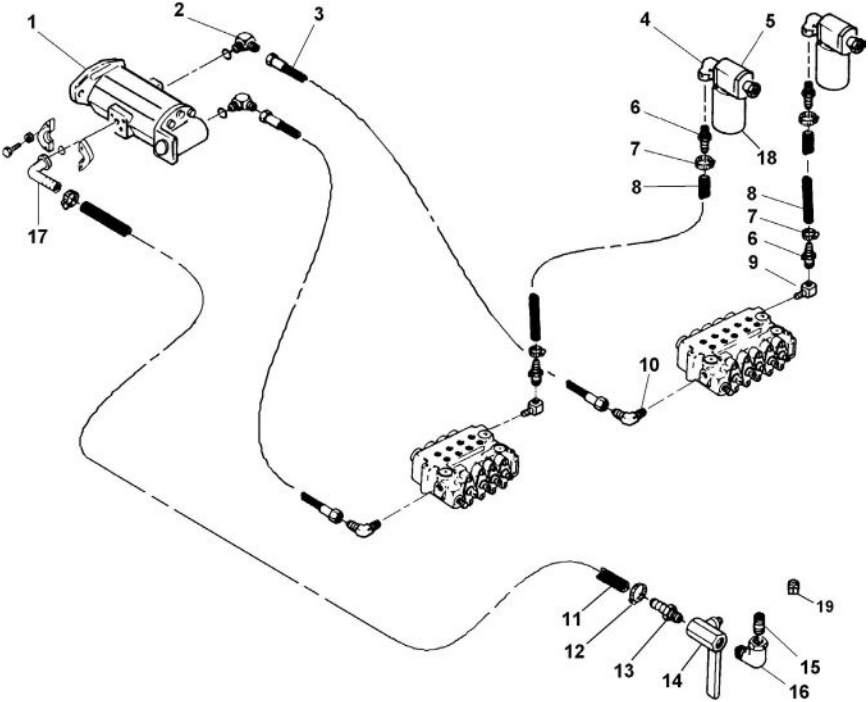
REAR JACK HYDRAULICS



REF. NO.	NO. REQ'D	PART NUMBER	DESCRIPTION
1	1	0300011	VALVE, CONTROL, 4 SPOOL
2	1	0302179	VALVE, CONTROL, 5 SPOOL
3	2	0302722	CYLINDER, SPADE
4	4	0301696	ELBOW, 6MJ-6FJX90°
5	4	0301403	HOSE ASSY, 81-1/2"
6	4	0302727	CONNECTOR, 6MJ-8MP
7	4	0301816	FITTING, 45°, 8FP-8FP
8	4	0301819	NIPPLE, BLACK PIPE, 1/2" SCH 80, 4-1/2" LG.

Section VI - PARTS (cont'd)

PUMP, VALVE & FILTER HYDRAULICS



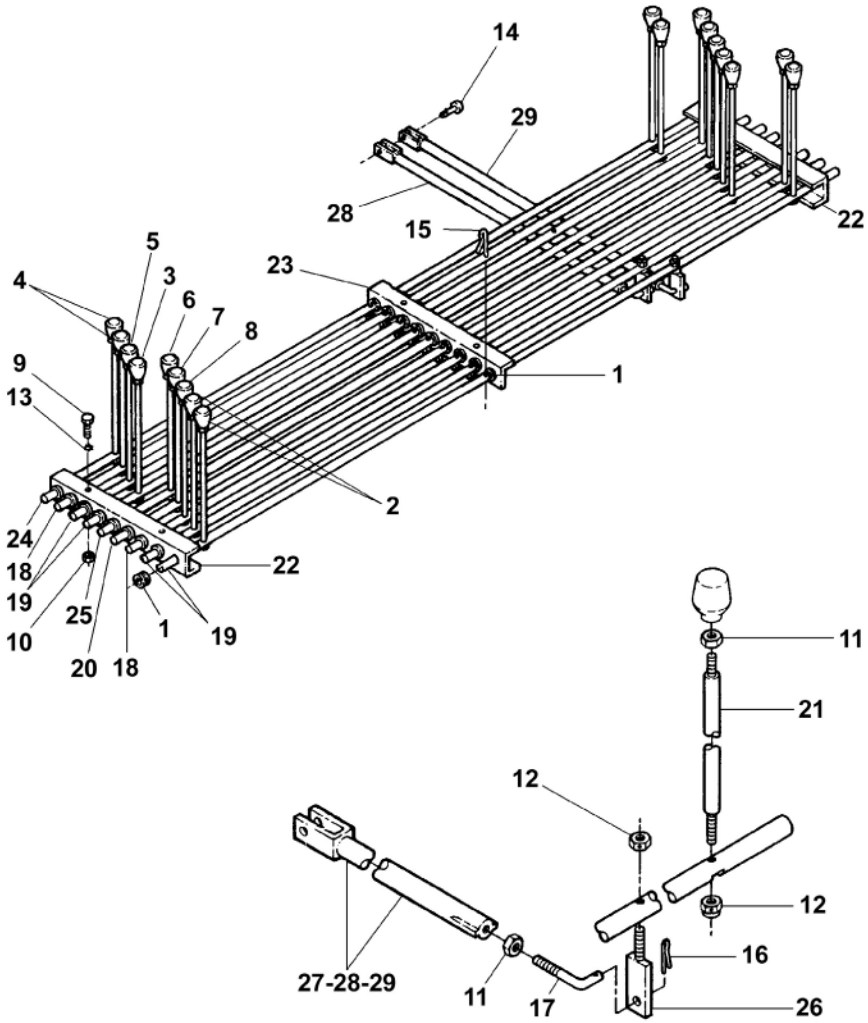
Section VI - PARTS (cont'd)

PUMP, VALVE & FILTER HYDRAULICS

REF. NO.	NO. REQ'D	PART NUMBER	DESCRIPTION
1	1	0301507	PUMP, TP16-150A-2N55
2	2	0301547	ELBOW, 8MJ-12MB90°
3	2	0300660	HOSE ASSY, HI PRESSURE 120"
4	2	0300288	STREET ELBOW, 90°, 1"
5	2	0300136	FILTER ASSY, PARKER
6	2	0300055	HOSE BARB, 12C4-12MP
7	4	0300071	CLAMP, HOSE 1"
8	2	0301674	HOSE, 3/4" RETURN
9	2	0301375	ELBOW, 12MB-12FP90°
10	2	0300052	ELBOW, 8MJ-10MB90°
11	14 FT.	0300671	SUCTION HOSE, 1-1/2"
12	2	0300364	CLAMP, HOSE, 1" - 2-1/4"
13	1	0300666	HOSE BARB, 24C4-24MP
14	1	0302088	VALVE, BRONZE BALL
15	1	0300891	PIPE NIPPLE, 1-1/2" X 3"
16	1	0300627	STREET ELBOW, 1-1/2" 90°
17	1	0302242	FLANGE FITTING
18	2	0300146	FILTER ELEMENT, SPIN-ON
19	1	0300446	PIPE PLUG, 3/4"

Section VI - PARTS (cont'd)

CONTROLS & CROSSRODS



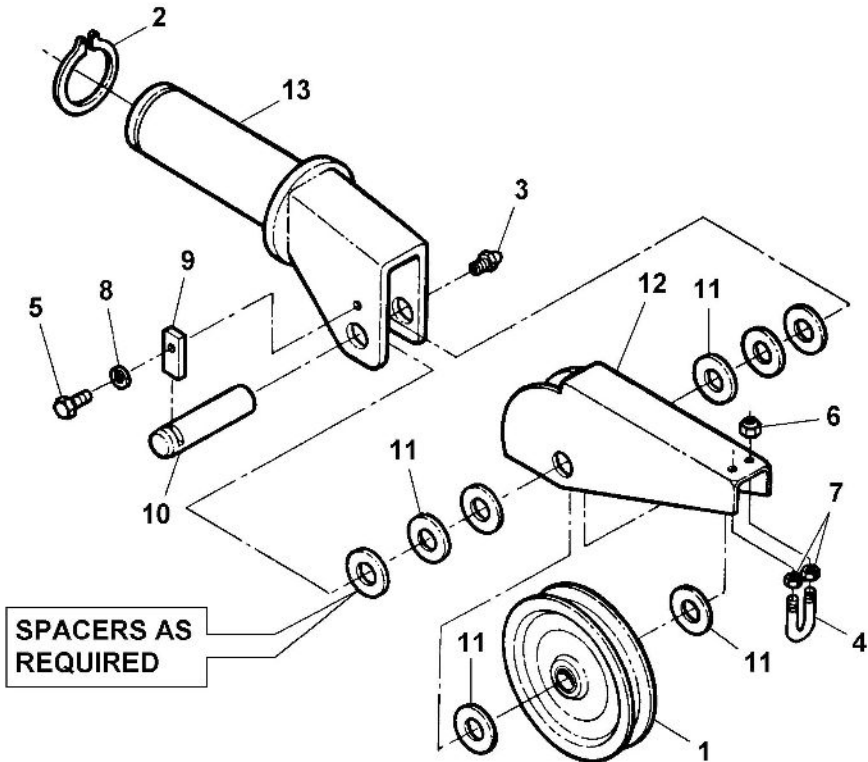
Section VI - PARTS (cont'd)

CONTROLS & CROSSRODS

REF. NO.	NO. REQ'D	PART NUMBER	DESCRIPTION
1	27	0300122	GROMMET, SPLIT PLASTIC
2	4	0300834	KNOB, WINCH CABLE IN-OUT
3	2	0300835	KNOB, BOOM UP-DOWN
4	4	0300836	KNOB, JACK UP-DOWN
5	2	0300837	KNOB, BOOM EXTEND IN-OUT
6	2	0302856	KNOB, WHEEL LIFT TILT UP-DOWN
7	2	0302917	KNOB, WHEEL LIFT EXTEND IN-OUT
8	2	0302967	KNOB, WHEEL LIFT LIFT UP-DOWN
9	6	0400060	SCREW, 1/4"-20 X 1/2" HEX HD CAP
10	6	0400370	CLIP, 1/4" "U" TYPE TINNERMAN
11	27	0400390	NUT, 3/8"-16 HEX ESLOK JAM
12	27	0400393	NUT, 3/8"-16 HEX JAMLOCK
13	6	0400452	WASHER, 1/4" HELICAL
14	9	0400527	PIN, 5/16" X 5/8" CLEVIS COTTERLESS
15	18	0400539	PIN, 3/16" X 1-1/2" COTTER
16	9	0400543	PIN, 1/8" X 3/4" COTTER
17	9	0701099	EXTENSION, CONTROL ROD
18	2	0704528	CROSS ROD, WHEEL LIFT
19	4	0704529	CROSS ROD, WRECKER
20	1	0704530	CROSS ROD, WHEEL LIFT
21	18	0705494	CONTROL LEVER
22	2	0705495	CHANNEL, CONTROL ROD BEARING
23	1	0705496	ANGLE, CONTROL ROD BEARING
24	1	0705498	CROSS ROD, CONTROL
25	1	0710204	CROSS ROD, TILT
26	9	0800604	ARM, CROSS CONTROL
27	3	0802023	SHIFTER ROD, SHORT
28	3	0802024	SHIFTER ROD, MEDIUM
29	3	0802025	SHIFTER ROD, LONG

Section VI - PARTS (cont'd)

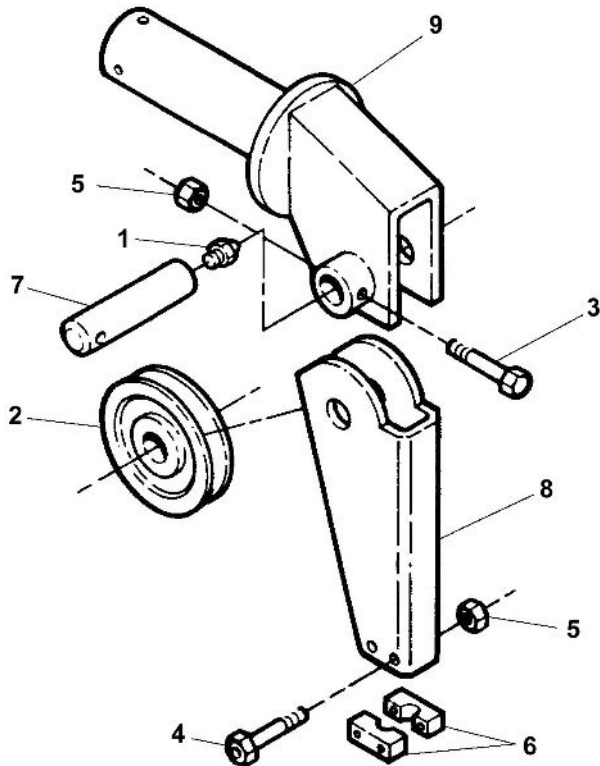
712 BOOM END SWIVEL (2 Req'd)



REF. NO.	NO. REQ'D	PART NUMBER	DESCRIPTION
1	1	0300022	SHEAVE, 6"
2	1	0300108	SNAP RING
3	1	0300113	GREASE FITTING
4	1	0301531	BOLT, 3/8"-16 CABLE CLAMP "U"
5	1	0400060	SCREW, 1/4"-20 X 1/2" HEX HD CAP
6	2	0400392	NUT, 3/8"-16 NYLOK HEX
7	2	0400393	NUT, 3/8"-16 HEX JAM
8	1	0400452	LOCKWASHER, 1/4" HELICAL
9	1	0700032	RETAINER, SHAFT
10	1	0700056	SHAFT, SHEAVE
11	2	0700166	SPACER, SHEAVE
12	2	0700801	CABLE GUIDE
13	1	0800003	SWIVEL, BOOM END

Section VI - PARTS (cont'd)

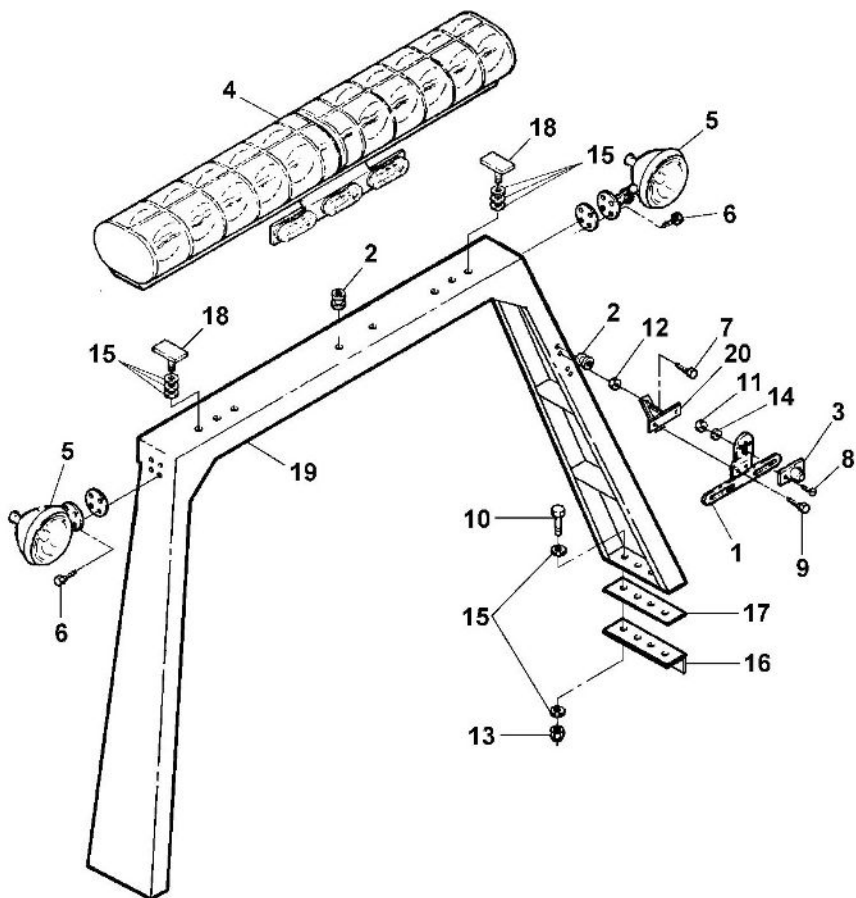
716 BOOM END SWIVEL



REF. NO.	NO. REQ'D	PART NUMBER	DESCRIPTION
	1	0900431	BOOM SWIVEL ASSEMBLY, LEFT (COMPLETE)
	1	0900432	BOOM SWIVEL ASSEMBLY, RIGHT (COMPLETE)
1	1	0300113	GREASE FITTING
2	1	0300626	SHEAVE, 8" DIA X 1-1/2" RIM
3	1	0400133	SCREW, 3/8"-16 X 3" HEX HD CAP
4	2	0400150	SCREW, 3/8"-16 X 2-1/2" HEX HD CAP
5	3	0400392	NUT, 3/8"-16 NYLOK HEX
6	2	0700801	CABLE GUIDE, BOTTOM
7	1	0700888	SHAFT, SHEAVE
8	1	0800286	CABLE GUIDE WELDMENT
9	1	0800509	SWIVEL WELDMENT, LEFT
	1	0800510	SWIVEL WELDMENT, RIGHT

Section VI - PARTS (cont'd)

LIGHTING ACCESSORIES



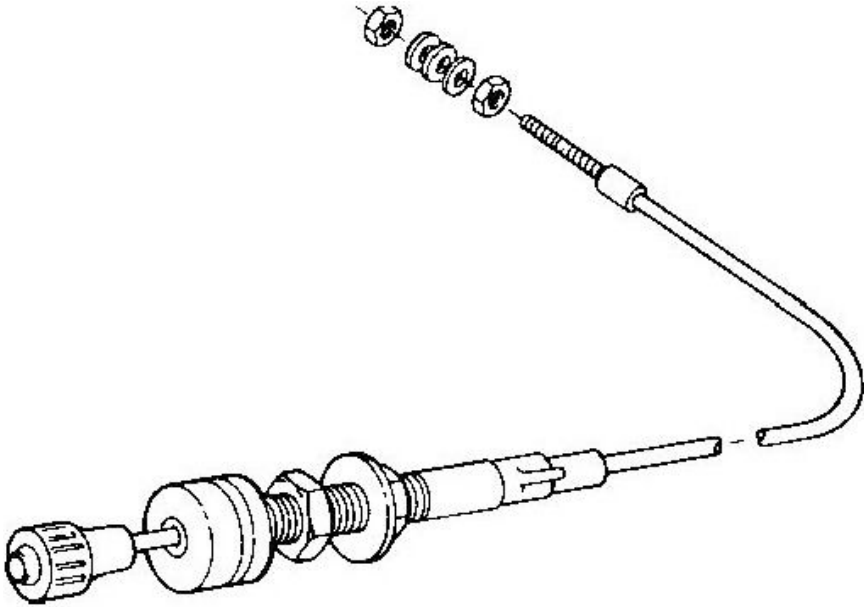
Section VI - PARTS (cont'd)

LIGHTING ACCESSORIES

REF. NO.	NO. REQ'D	PART NUMBER	DESCRIPTION
1	1	0300076	LICENSE PLATE HOLDER
2	2	0300117	RUBBER GROMMET
3	1	0300273	LICENSE PLATE ILLUMINATOR
4	1	0301359	WRECKER SPECIAL LIGHT
5	2	0302158	SPOTLIGHT W/GASKET
6	8	0400039	SCREW, #10-32 X .75" SELF-TAPPING
7	2	0400057	SCREW, 1/4"-20 X 1.5" HEX HD CAP
8	2	0400061	SCREW, 1/4"-20 X .75" PAN HD
9	2	0400062	SCREW, 1/4"-20 X .75" THD CUT HEX HD
10	8	0400132	SCREW, 3/8"-16 X 1.5" HEX HD CAP
11	2	0400366	NUT, 1/4"-20 HEX PLAIN
12	2	0400367	NUT, 1/4"-20 NYLOK HEX
13	8	0400392	NUT, 3/8"-16 HEX HD NYLOK
14	2	0400452	WASHER, LOCK, 1/4"
15	22	0400480	WASHER, FLAT, 3/8"
16	2	0710028	ANGLE, PYLON BASE REINFORCING
17	2	0710029	GASKET, PYLON BASE, 22" PYLON
	--	0710030	GASKET, PYLON BASE, 26" PYLON
	--	0710031	GASKET, PYLON BASE, 29" PYLON
	--	0710032	GASKET, PYLON BASE, 33" PYLON
	--	0710033	GASKET, PYLON BASE, 36" PYLON
	--	0710034	GASKET, PYLON BASE, 40" PYLON
	--	0710035	GASKET, PYLON BASE, 42" PYLON
	--	0710036	GASKET, PYLON BASE, 45" PYLON
18	2	0801777	ADAPTER, "T" BOLT
19	1	0802831	LIGHT MOUNTING PYLON, 22"
	--	0802832	LIGHT MOUNTING PYLON, 26"
	--	0802833	LIGHT MOUNTING PYLON, 29"
	--	0802834	LIGHT MOUNTING PYLON, 33"
	--	0802835	LIGHT MOUNTING PYLON, 36"
	--	0802836	LIGHT MOUNTING PYLON, 40"
	--	0802837	LIGHT MOUNTING PYLON, 42"
	--	0802838	LIGHT MOUNTING PYLON, 45"
20	1	0802885	BRACKET, LICENSE PLATE MOUNTING

Section VI - PARTS (cont'd)

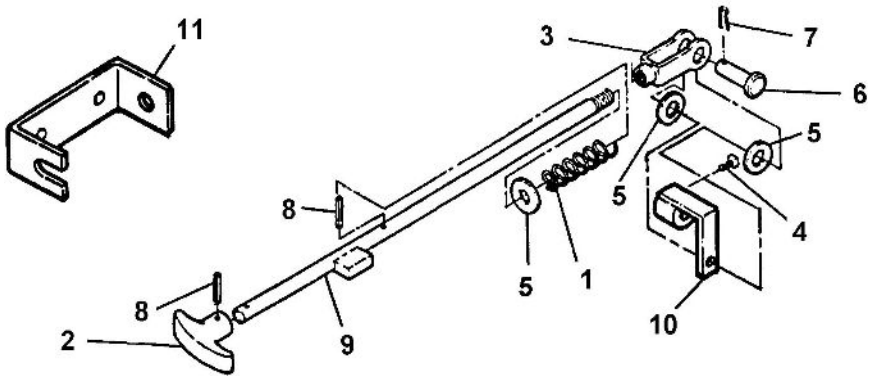
VERNIER THROTTLE CONTROL



REF. NO.	NO. REQ'D	PART NUMBER	DESCRIPTION
1	1	0300182	STOP COLLAR #516 (HD1255)
2	1	0300685	THROTTLE CONTROL CABLE, 20'
3	1	0900377	KIT, THROTTLE ATTACHMENT

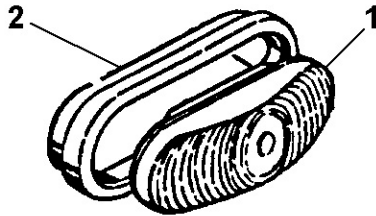
Section VI - PARTS (cont'd)

WINCH CLUTCH CONTROL

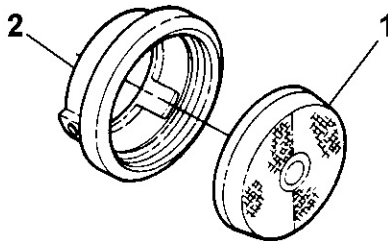


REF. NO.	NO. REQ'D	PART NUMBER	DESCRIPTION
1	1	0300845	SPRING, CLUTCH
2	1	0301532	"T" HANDLE
3	1	0301588	YOKE, ADJUSTABLE
4	1	0400116	SCREW, 5/16"-18 X 1/2" SQ HD SET
5	3	0400492	WASHER, 1/2" FLAT HD
6	1	0400537	PIN, 1/2" X 1-1/2" COTTER
7	1	0400546	PIN, 1/8" X 1-1/4" COTTER
8	2	0400560	PIN, 5/32" X 1" ROLL
9	1	0801672	ROD, WINCH CONTROL
10	1	0800779	BELL CRANK - WINCH CONTROL
11	1	0803028	MTG. CHANNEL - WINCH CONTROL

Section VI - PARTS (cont'd) LIGHT KIT



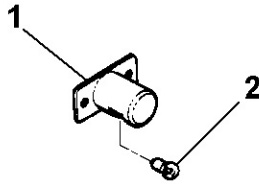
REF. NO.	NO. REQ'D	PART NUMBER	DESCRIPTION
1	4	0303123	LIGHT, SEALED RED (STOP & TURN)
	2	0303124	LIGHT, SEALED CLEAR (BACKUP)
2	6	0303128	TAIL LIGHT GROMMET & PLUG KIT



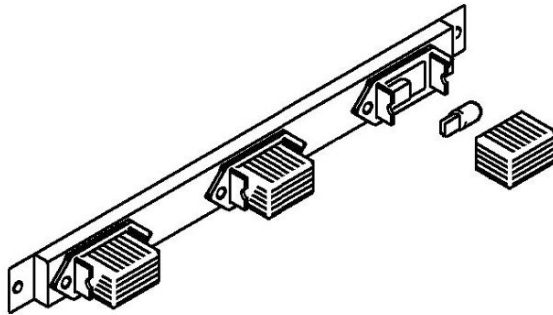
REF. NO.	NO. REQ'D	PART NUMBER	DESCRIPTION
1	2	0303125	MARKER LIGHT, SEALED RED
	2	0303126	MARKER LIGHT, SEALED AMBER
2	4	0303127	GROMMET MOUNTING KIT W/PLUG

Section VI - PARTS (cont'd)

LIGHT KIT



REF. NO.	NO. REQ'D	PART NUMBER	DESCRIPTION
1	1	0300273	LICENSE PLATE ILLUMINATOR
2	1	0300512	BULB, LICENSE PLATE ILLUMINATOR



REF. NO.	NO. REQ'D	PART NUMBER	DESCRIPTION
1	1	0300442	BAR, 3 - LIGHT
2	3	0300511	LENS, 3 - LIGHT BAR
3	3	0300507	BULB, MARKER LIGHT

CENTURY®

Miller Industries Towing Equipment Inc.

8503 Hilltop Drive • Ooltewah, Tennessee 37363 • (423) 238-4171

www.millerind.com