

CENTURY®



OWNER'S MANUAL

5230 KNEEBOOM TRANSPORTER PARTS

**NOTE: MANUAL including SPECIFICATIONS subject to change without notice.
All ratings specified are based on structural factors only, not vehicle capacities or capabilities.**

Miller Industries Towing Equipment Inc.
8503 Hilltop Drive
Ooltewah, Tennessee 37363
Phone (423) 238-4171 • FAX (423) 238-5371

FORM NO. 05001924
04 / 2020

LIMITED WARRANTY

MILLER INDUSTRIES TOWING EQUIPMENT INC., hereinafter referred to as MILLER, warrants to the original purchaser that each new MILLER wrecker or other MILLER products will be free from defects in material and workmanship for a period of twelve (12) months from date placed in service, but in no event shall such warranty period exceed twenty-four (24) months from date of manufacture by MILLER. The purchaser must promptly notify MILLER in writing of any failure in material or workmanship. In no event shall MILLER accept such notification later than twenty-four (24) months from date of delivery or twelve (12) months from date placed in service, whichever is earlier.

MILLER's obligation under this warranty, statutory or otherwise, is limited to the repair or replacement at the MILLER factory, or at a point designated by MILLER, of such part or parts as shall appear upon inspection by MILLER to be defective in material or workmanship. New or remanufactured parts will be used for any replacement at MILLER's option. This warranty is not transferable. This warranty does not obligate MILLER to bear the cost of labor or transportation charges in connection with the repair or replacement of any parts found to be defective, nor shall it apply to a product upon which repairs or alterations have been made unless authorized by MILLER.

EXCEPT AS EXPRESSLY SET FORTH IN THIS WARRANTY, MILLER MAKES NO OTHER WARRANTY, EXPRESS OR IMPLIED, AND HEREBY DISCLAIMS ALL OTHER WARRANTIES INCLUDING, BUT NOT LIMITED TO, THE IMPLIED WARRANTIES OF MERCHANTABILITY AND FITNESS FOR A PARTICULAR PURPOSE. MILLER shall in no event be liable for claimed downtime, claimed loss of profits or goodwill, or any other special, incidental, indirect, or consequential damages concerning or relating to any product or parts, whether based on negligence, strict liability, breach of contract, breach of warranty, misrepresentation or any other legal theory, regardless of whether the loss resulted from any general or particular requirement which MILLER knew or had reason to know about at the time of sale.

MILLER MAKES NO WARRANTY, EXPRESS OR IMPLIED, AS TO THE FINISHED PRODUCTS MANUFACTURED OR SUPPLIED BY ANOTHER MANUFACTURER AND SUPPLIED BY MILLER TO PURCHASER, including, but not limited to, any vehicle to which a MILLER product may be affixed or any accessories or wire rope, and MILLER EXPRESSLY DISCLAIMS ANY IMPLIED WARRANTIES OF MERCHANTABILITY OR FITNESS FOR A PARTICULAR PURPOSE AS TO SUCH EQUIPMENT OR PRODUCTS. This language shall in no way affect or diminish the rights of the purchaser to rely on such warranties as are extended by such manufacturers or suppliers. MILLER shall, to the extent permitted under applicable law, pass on to the purchaser such manufacturer's or seller's warranty.

MILLER, whose policy is one of continuous improvement, reserves the right to improve its products through changes in design or materials as it may deem desirable without being obligated to incorporate such changes in products previously sold. This warranty is not intended to cover or include the following items, which are set forth by way of example and not limitation:

- A. Normal deterioration of trim, paint, lettering, and appearance items due to wear or exposure to weather, road conditions, road treatments, etc.
- B. Any damage or defect due to accident, misuse, abuse, improper or unauthorized repairs, failure to provide reasonable and necessary maintenance, or uses for which the equipment was not designed or intended.
- C. Alterations or modifications that affect performance, operation or reliability.
- D. Normal maintenance parts including, but not limited to, wear pads, bushings, wire rope, mud flaps, fenderettes, light bulbs, hydraulic oil, filters, and tow sling belts.

IT IS EXPRESSLY UNDERSTOOD THAT MILLER MAKES NO IMPLIED WARRANTY THAT MILLER PRODUCTS SHALL BE FIT FOR THE PURPOSE OF LIFTING OR MOVING PEOPLE OR FOR ANY OTHER IMPROPER USE.



Miller Industries Towing Equipment Inc.
8503 Hilltop Drive
Ooltewah, Tennessee 37363
Telephone (423) 238-4171

SERIAL NUMBER

OWNER, USER AND OPERATOR:

We appreciate your choice of our towing and recovery unit for your application. Our number one priority is user safety which is best achieved by our joint efforts. We feel that you can make a major contribution to safety if you, as the equipment owner and operator:

- 1. Comply with Federal, State, and Local Regulations.**
- 2. Read, Understand, and Follow the Instructions in this Manual.**
- 3. Use Good, Safe Work Practices in a Common Sense Way.**
- 4. Only have Authorized and Trained Personnel performing maintenance on the Towing and Recovery Unit.**

TABLE OF CONTENTS

It is assumed by the manufacturer that the Owner/Operator has a thorough knowledge of the accepted and lawful retrieval and towing methods as dictated by his city, county or state. The manufacturer rejects any liability claim that may result from the incorrect or unlawful application of its equipment.

Section I - PARTS

50007384, 5230 KNEEBOOM TRANSPORTER	I-2 thru I-13
09010428, BUA KNEEBOOM TRANSPORTER	I-14 thru I-35
09001440, 50K DRAG WINCH ASSEMBLY	I-36 & I-37
0906532, BOOM SWIVEL ASSEMBLY	I-38 & I-39
09004266, U/L BOOM ASSEMBLY (SHORT)	I-40 thru I-45
09003929, U/L HORIZONTAL BOOM ASSEMBLY	I-46 thru I-55
0908282, INNER BOOM ASSEMBLY	I-56 & I-57
124004464, ALUM HEEL PLATE	I-58 & I-59
09010429, SUBFRAME ASSEMBLY - KNEEBOOM TRANSPORTER	I-60 thru I-67
09011728, RESERVOIR ASSEMBLY	I-68 & I-69
09012729, VALVE ASSEMBLY 24V KB TRANS	I-70 thru I-75
0907021, REAR SPADE ASSEMBLY	I-76 thru I-79
0911957, KIT D-RING PARTS	I-80 & I-81
0912063, CROSSBAR ASSEMBLY XHD 5X5 CENTURY W/ LOWRIDER	I-82 & I-83
0908382, KIT - MUDFLAP LARGE CENTURY WRECKER	I-84 & I-85
0911804, AIR REGULATOR-GAUGE ASSEMBLY	I-86 & I-87

Section I - PARTS

REF. 05002403

This Section is provided by the manufacturer for the purpose of ordering any component part of the **5230 Kneeboom Transporter** that may be required when part replacement is necessary. Be certain to use only original equipment replacement parts for warranty purposes as well as for keeping your unit in its original state and optimum operating capacities.

When ordering replacement or spare parts be sure to provide the following information to the manufacturer's **Parts Department**.

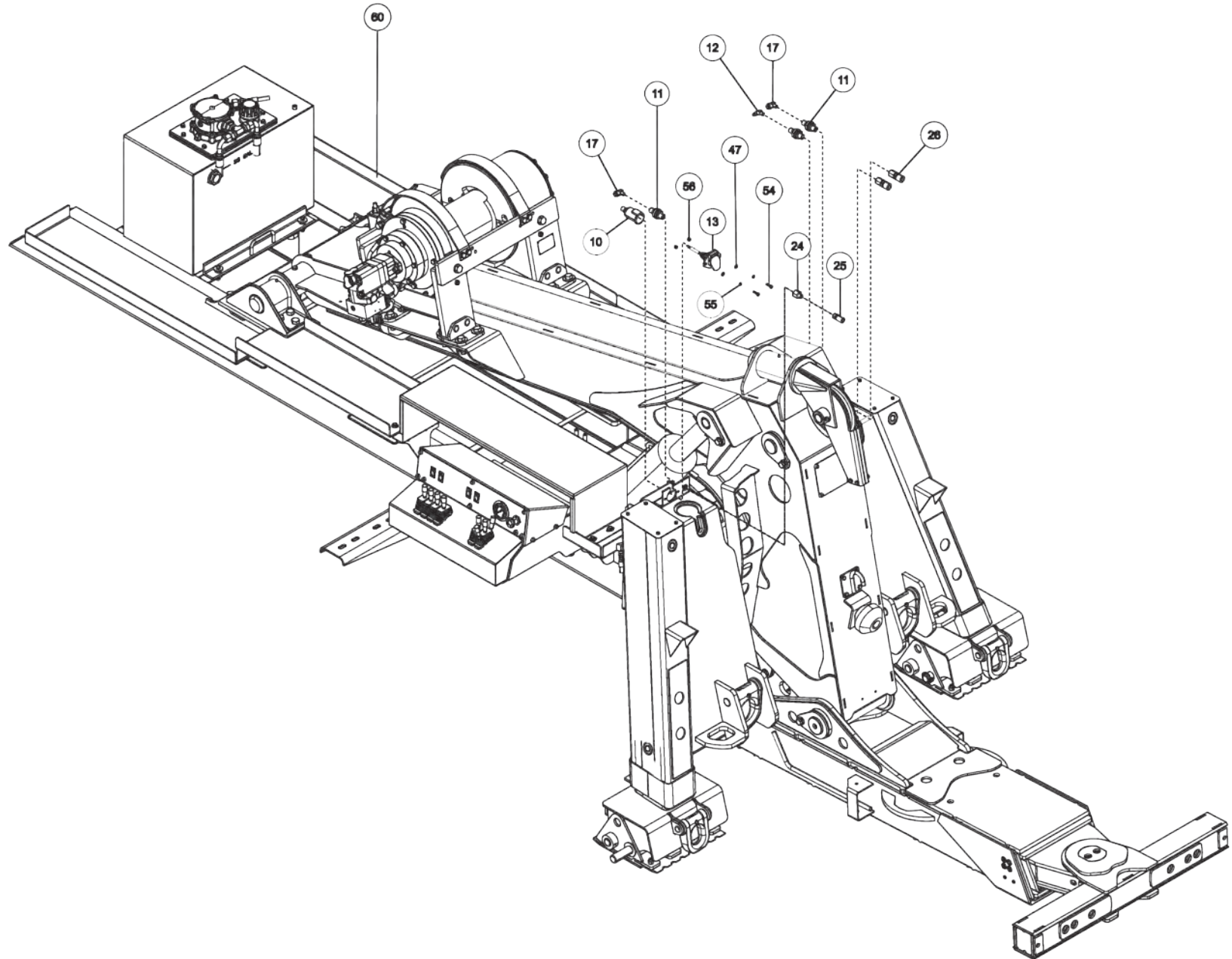
1. **Manual Number & Date of Publication**
2. **Manual Page Number**
3. **Page Title**
4. **Reference Number of Part Desired**
5. **Part Number**
6. **Part Description**
7. **Quantity of Part Desired**
8. **Unit Serial Number**

Providing this information will help ensure that the correct parts will be delivered to you in an expedient manner without delay. Should additional information be required for repair or replacement of certain components, contact your Wrecker Manufacturer Authorized Representative.

The Manufacturer reserves the right, without notice or obligation, to improve or modify their products, which may change the specifications, models and feature availability.

Section I - PARTS

50007384, 5230 KNEEBOOM TRANSPORTER



Section I - PARTS

50007384, 5230 KNEEBOOM TRANSPORTER (cont'd)

ITEM	PART NUMBER	DESCRIPTION	QTY
1	0300364	CLAMP-HOSE,0.875"-2.75" 50"LBS	4
2	0300649	UNION, STRAIGHT 12MJ - 12MJ	1
3	03013402	PUMP - HYDRAULIC, 11 GPM	1
4	0301373	PIPE BUSHING	1
5	0301545	FITTING, ELB 12MJ-12MB 90	1
6	0301577	1/4 OD PLASTIC AIRLINE, BLACK	40
7	0301621	PRESSURE PROTECTION VLV.	1
8	03017761	HOSE, HYD 12FJX-10EFG5K-12FJX	2
9	03017827	FITT, BRASS TEE 1/4M-1/4T/1/4T	1
10	0301909	RECEPTACLE BOOT	1
11	0301946	FITTING, BLKHD CONNECT	3
12	0301947	FITTING, 45 DEG ADAPTER	1
13	0301948	HD 7 WAY TRAILER CONNECT	1
14	0302088	BALL VALVE	1
15	0302123	HEX NIPPLE 4MP-4MP	1
16	0302125	PIPE, BUSHING 1/2MPT X 1/4FPT	1
17	0302534	FITTING, 45 DEG ELBOW	3
18	0302677	BREATHER VENT 1/8 MP	2
19	0302698	FITTING, HOSE BARB,1-1/4	1
20	0302699	PIPE NIPPLE - 1-1/4 X 2	1
21	0302756	SUCTION HOSE,1-1/4IDX100 100R4	20
22	0302906	FITTING, ADAPTER	1
23	0303463	BUSHING 1 1/2MP-1 1/4FP	1
24	0303538	FITT, ADAPTER -BRASS 8FP-6MP	1
25	0303539	QUICK DISCONNECT 3/8 FPT	1
26	0304363	QUICK DISCONNECT 1/2 FPT	2
27	0306539	HOSE BARB 20HOSE16MB90	1
28	0306977	FITTING BRASS PLUG 1/8	4
29	0306983	FITT-MALE RUNTEE 1/4T-1/4NPT	1
30	0307151	RUBBER FENDER	28
31	0310190	AIR SOL STK 24VDC 4 BANK	1
32	0310942	LH 180 CB TANDEM ALUM BODY '10	1
33	0310943	RH 180 CB TANDEM ALUM BODY '10	1
34	0311500	LIGHT 6"OVAL REVERSE LED	2
35	0311502	LIGHT 6"OVAL CLEAR-AMBER LED	6

ITEM	PART NUMBER	DESCRIPTION	QTY
36	0311503	GROMMET, LIGHT 6" OVAL	12
37	0311514	LIGHT 2.5" CLEAR LENS-RED LED	2
38	0311516	GROMMET, LIGHT 2.5" ROUND	2
39	0311755	WATER SEPARATOR-MONNIER	1
40	0312309	LIGHT 6" OVAL GLO-LT STT CLR/R	4
41	0400009	SCREW, 8-32X1-1/2 PRH SS	2
42	0400070	SCREW, 1/4-20X1 HHC GR5	9
43	0400351	NUT, 8-32 HEX	2
44	0400367	NUT, 1/4-20 LOK	8
45	0400451	WASHER, 1/4	9
46	0400452	LKWASHER, 1/4	9
47	0400454	WASHER, 1/4 SS	2
48	0400491	LKWASHER, 1/2	20
49	0400497	WASHER, 1/2 GR8	6
50	0400498	WASHER, 1/2X2X0.125	14
51	0400687	SCREW, 10-24X3/4 PRH SS	4
52	0400752	NUT, 10-24 LOK EXT	4
53	0400816	WASHER, M10 SS	4
54	0402021	SCREW, 1/4-20X1 HHC SS	2
55	0402111	LKWASHER, 1/4 SS	2
56	0402113	NUT, 1/4-20 LOK SS	2
57	07017900	PLATE, REAR VALVE COVER, KB55	1
58	0710545	ANGLE, MTG	2
59	08000546	FRONT BODY MOUNT	1
60	09010428	BUA - KNEEBOOM TRANSPORTER 24V	1
61	0908382	KIT - MUDFLAP LRG CENTURY WKR	2
62	0911804	AIR REGULATOR-GAUGE ASSEMBLY	2
63	9010024	FITT, BRASS CONN 1/4T-1/8MP	1
64	9010030	FITT, BRASS ELBOW 1/4T-1/8MPX	1
65	9010520	FITTING-ELBOW 1/4T-1/4NPT	4
66	9041402	1/2 NC X 1 1/4 HHCS PLT GR8	6
67	9041403	1/2 NC X 1 1/2 HHCS PL GR8	14
68	9402970	TOOLBOX MTG. PAD	14
69	942480011	PLATE,SLOT-SS REAR WASHER TBOX	12

Section I - PARTS

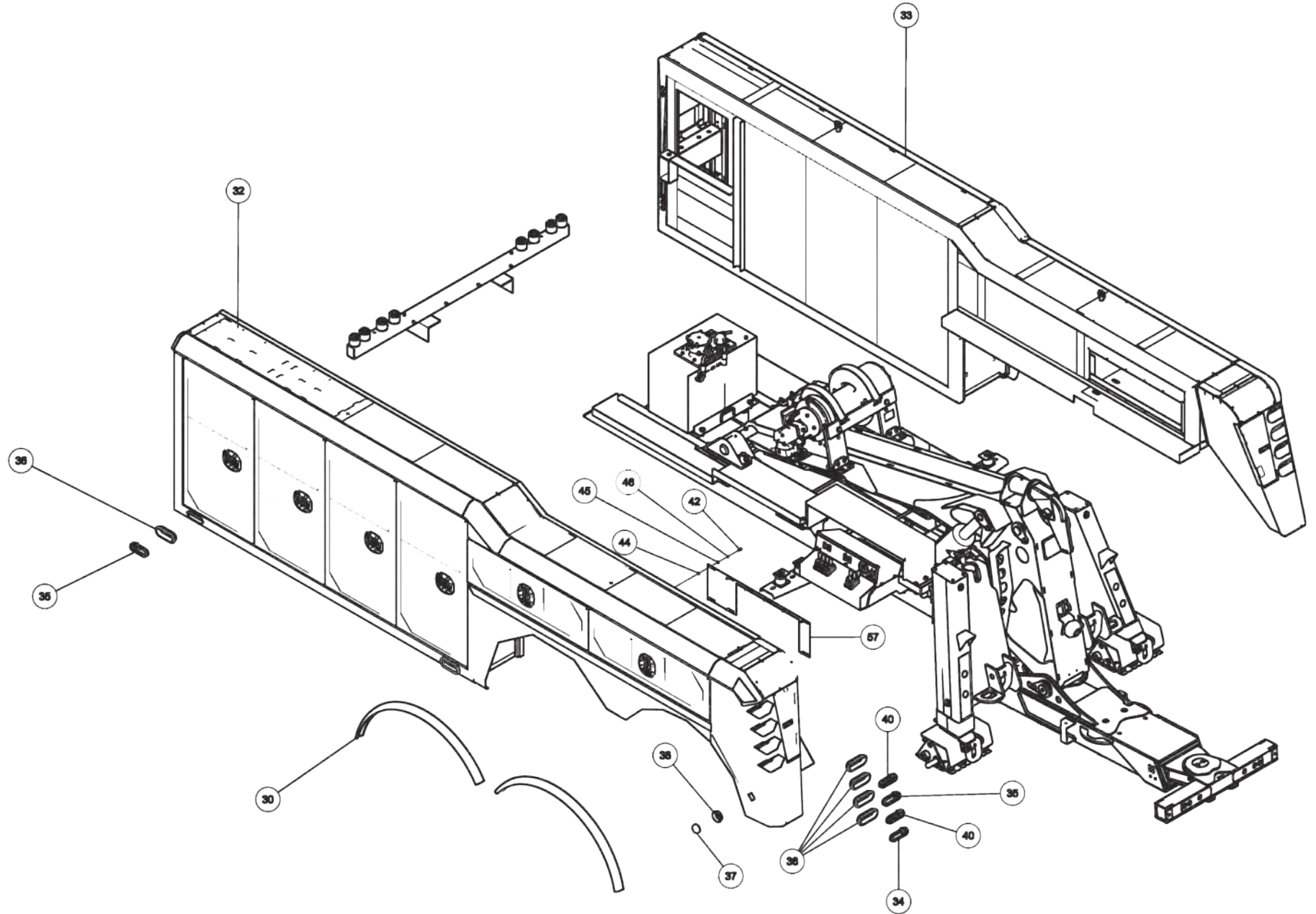
50007384, 5230 KNEEBOOM TRANSPORTER (cont'd)

ITEM	PART NUMBER	DESCRIPTION	QTY
1	0300364	CLAMP-HOSE,0.875"-2.75" 50"LBS	4
2	0300649	UNION, STRAIGHT 12MJ - 12MJ	1
3	03013402	PUMP - HYDRAULIC, 11 GPM	1
4	0301373	PIPE BUSHING	1
5	0301545	FITTING, ELB 12MJ-12MB 90	1
6	0301577	1/4 OD PLASTIC AIRLINE, BLACK	40
7	0301621	PRESSURE PROTECTION VLV.	1
8	03017761	HOSE, HYD 12FJX-10EFG5K-12FJX	2
9	03017827	FITT, BRASS TEE 1/4M-1/4T/1/4T	1
10	0301909	RECEPTACLE BOOT	1
11	0301946	FITTING, BLKHD CONNECT	3
12	0301947	FITTING, 45 DEG ADAPTER	1
13	0301948	HD 7 WAY TRAILER CONNECT	1
14	0302088	BALL VALVE	1
15	0302123	HEX NIPPLE 4MP-4MP	1
16	0302125	PIPE, BUSHING 1/2MPT X 1/4FPT	1
17	0302534	FITTING, 45 DEG ELBOW	3
18	0302677	BREATHER VENT 1/8 MP	2
19	0302698	FITTING, HOSE BARB,1-1/4	1
20	0302699	PIPE NIPPLE - 1-1/4 X 2	1
21	0302756	SUCTION HOSE,1-1/4IDX100 100R4	20
22	0302906	FITTING, ADAPTER	1
23	0303463	BUSHING 1 1/2MP-1 1/4FP	1
24	0303538	FITT, ADAPTER -BRASS 8FP-6MP	1
25	0303539	QUICK DISCONNECT 3/8 FPT	1
26	0304363	QUICK DISCONNECT 1/2 FPT	2
27	0306539	HOSE BARB 20HOSE16MB90	1
28	0306977	FITTING BRASS PLUG 1/8	4
29	0306983	FITT-MALE RUNTEE 1/4T-1/4NPT	1
30	0307151	RUBBER FENDER	28
31	0310190	AIR SOL STK 24VDC 4 BANK	1
32	0310942	LH 180 CB TANDEM ALUM BODY '10	1
33	0310943	RH 180 CB TANDEM ALUM BODY '10	1
34	0311500	LIGHT 6"OVAL REVERSE LED	2
35	0311502	LIGHT 6"OVAL CLEAR-AMBER LED	6

ITEM	PART NUMBER	DESCRIPTION	QTY
36	0311503	GROMMET, LIGHT 6" OVAL	12
37	0311514	LIGHT 2.5" CLEAR LENS-RED LED	2
38	0311516	GROMMET, LIGHT 2.5" ROUND	2
39	0311755	WATER SEPARATOR-MONNIER	1
40	0312309	LIGHT 6" OVAL GLO-LT STT CLR/R	4
41	0400009	SCREW, 8-32X1-1/2 PRH SS	2
42	0400070	SCREW, 1/4-20X1 HHC GR5	9
43	0400351	NUT, 8-32 HEX	2
44	0400367	NUT, 1/4-20 LOK	8
45	0400451	WASHER, 1/4	9
46	0400452	LKWASHER, 1/4	9
47	0400454	WASHER, 1/4 SS	2
48	0400491	LKWASHER, 1/2	20
49	0400497	WASHER, 1/2 GR8	6
50	0400498	WASHER, 1/2X2X0.125	14
51	0400687	SCREW, 10-24X3/4 PRH SS	4
52	0400752	NUT, 10-24 LOK EXT	4
53	0400816	WASHER, M10 SS	4
54	0402021	SCREW, 1/4-20X1 HHC SS	2
55	0402111	LKWASHER, 1/4 SS	2
56	0402113	NUT, 1/4-20 LOK SS	2
57	07017900	PLATE, REAR VALVE COVER, KB55	1
58	0710545	ANGLE, MTG	2
59	08000546	FRONT BODY MOUNT	1
60	09010428	BUA - KNEEBOOM TRANSPORTER 24V	1
61	0908382	KIT - MUDFLAP LRG CENTURY WKR	2
62	0911804	AIR REGULATOR-GAUGE ASSEMBLY	2
63	9010024	FITT, BRASS CONN 1/4T-1/8MP	1
64	9010030	FITT, BRASS ELBOW 1/4T-1/8MPX	1
65	9010520	FITTING-ELBOW 1/4T-1/4NPT	4
66	9041402	1/2 NC X 1 1/4 HHCS PLT GR8	6
67	9041403	1/2 NC X 1 1/2 HHCS PL GR8	14
68	9402970	TOOLBOX MTG. PAD	14
69	942480011	PLATE,SLOT-SS REAR WASHER TBOX	12

Section I - PARTS

50007384, 5230 KNEEBOOM TRANSPORTER (cont'd)



Section I - PARTS

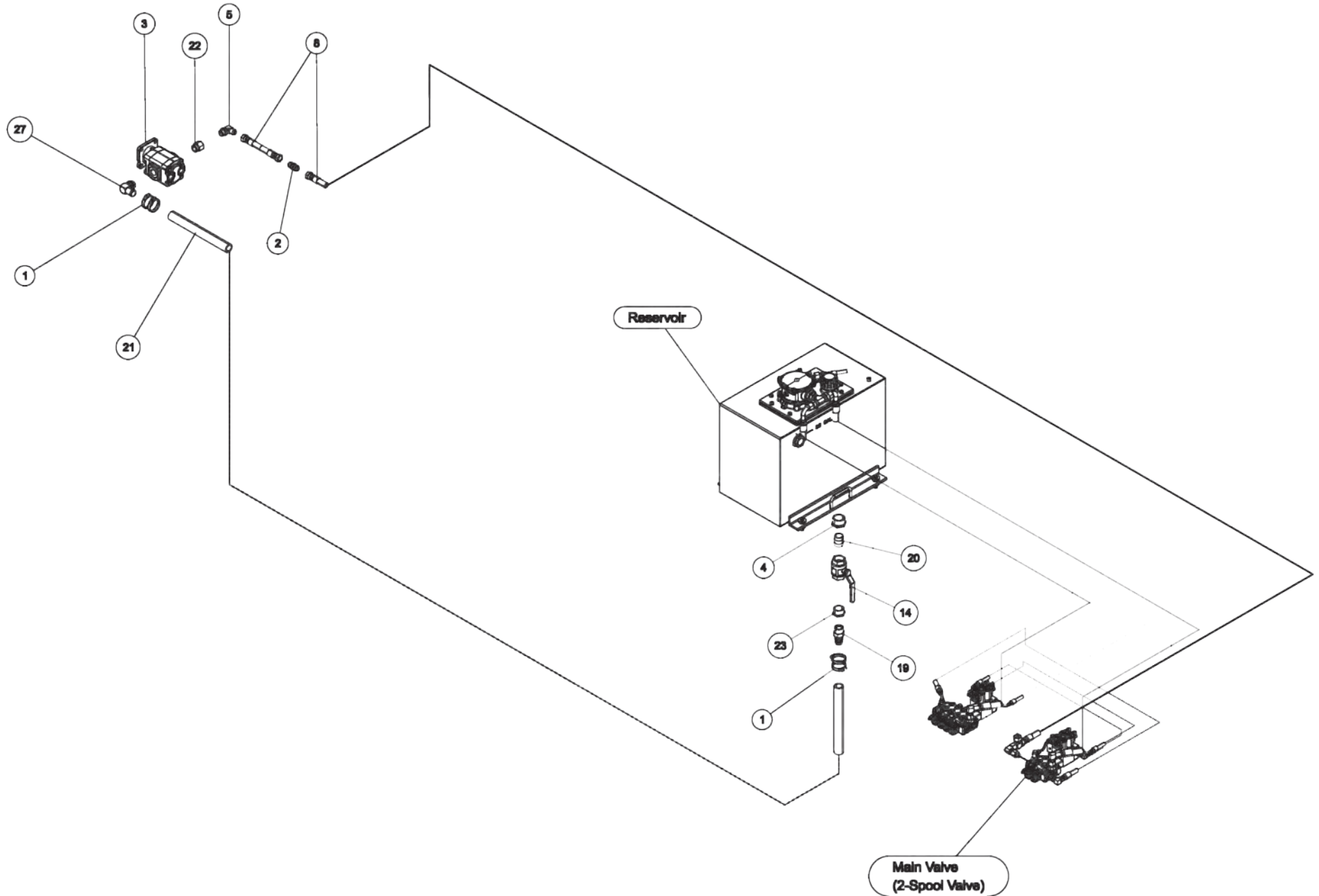
50007384, 5230 KNEEBOOM TRANSPORTER (cont'd)

ITEM	PART NUMBER	DESCRIPTION	QTY
1	0300364	CLAMP-HOSE,0.875"-2.75" 50"LBS	4
2	0300649	UNION, STRAIGHT 12MJ - 12MJ	1
3	03013402	PUMP - HYDRAULIC, 11 GPM	1
4	0301373	PIPE BUSHING	1
5	0301545	FITTING, ELB 12MJ-12MB 90	1
6	0301577	1/4 OD PLASTIC AIRLINE, BLACK	40
7	0301621	PRESSURE PROTECTION VLV.	1
8	03017761	HOSE, HYD 12FJX-10EFG5K-12FJX	2
9	03017827	FITT, BRASS TEE 1/4M-1/4T/1/4T	1
10	0301909	RECEPTACLE BOOT	1
11	0301946	FITTING, BLKHD CONNECT	3
12	0301947	FITTING, 45 DEG ADAPTER	1
13	0301948	HD 7 WAY TRAILER CONNECT	1
14	0302088	BALL VALVE	1
15	0302123	HEX NIPPLE 4MP-4MP	1
16	0302125	PIPE, BUSHING 1/2MPT X 1/4FPT	1
17	0302534	FITTING, 45 DEG ELBOW	3
18	0302677	BREATHER VENT 1/8 MP	2
19	0302698	FITTING, HOSE BARB,1-1/4	1
20	0302699	PIPE NIPPLE - 1-1/4 X 2	1
21	0302756	SUCTION HOSE,1-1/4IDX100 100R4	20
22	0302906	FITTING, ADAPTER	1
23	0303463	BUSHING 1 1/2MP-1 1/4FP	1
24	0303538	FITT, ADAPTER -BRASS 8FP-6MP	1
25	0303539	QUICK DISCONNECT 3/8 FPT	1
26	0304363	QUICK DISCONNECT 1/2 FPT	2
27	0306539	HOSE BARB 20HOSE16MB90	1
28	0306977	FITTING BRASS PLUG 1/8	4
29	0306983	FITT-MALE RUNTEE 1/4T-1/4NPT	1
30	0307151	RUBBER FENDER	28
31	0310190	AIR SOL STK 24VDC 4 BANK	1
32	0310942	LH 180 CB TANDEM ALUM BODY '10	1
33	0310943	RH 180 CB TANDEM ALUM BODY '10	1
34	0311500	LIGHT 6"OVAL REVERSE LED	2
35	0311502	LIGHT 6"OVAL CLEAR-AMBER LED	6

ITEM	PART NUMBER	DESCRIPTION	QTY
36	0311503	GROMMET, LIGHT 6" OVAL	12
37	0311514	LIGHT 2.5" CLEAR LENS-RED LED	2
38	0311516	GROMMET, LIGHT 2.5" ROUND	2
39	0311755	WATER SEPARATOR-MONNIER	1
40	0312309	LIGHT 6" OVAL GLO-LT STT CLR/R	4
41	0400009	SCREW, 8-32X1-1/2 PRH SS	2
42	0400070	SCREW, 1/4-20X1 HHC GR5	9
43	0400351	NUT, 8-32 HEX	2
44	0400367	NUT, 1/4-20 LOK	8
45	0400451	WASHER, 1/4	9
46	0400452	LKWASHER, 1/4	9
47	0400454	WASHER, 1/4 SS	2
48	0400491	LKWASHER, 1/2	20
49	0400497	WASHER, 1/2 GR8	6
50	0400498	WASHER, 1/2X2X0.125	14
51	0400687	SCREW, 10-24X3/4 PRH SS	4
52	0400752	NUT, 10-24 LOK EXT	4
53	0400816	WASHER, M10 SS	4
54	0402021	SCREW, 1/4-20X1 HHC SS	2
55	0402111	LKWASHER, 1/4 SS	2
56	0402113	NUT, 1/4-20 LOK SS	2
57	07017900	PLATE, REAR VALVE COVER, KB55	1
58	0710545	ANGLE, MTG	2
59	08000546	FRONT BODY MOUNT	1
60	09010428	BUA - KNEEBOOM TRANSPORTER 24V	1
61	0908382	KIT - MUDFLAP LRG CENTURY WKR	2
62	0911804	AIR REGULATOR-GAUGE ASSEMBLY	2
63	9010024	FITT, BRASS CONN 1/4T-1/8MP	1
64	9010030	FITT, BRASS ELBOW 1/4T-1/8MPX	1
65	9010520	FITTING-ELBOW 1/4T-1/4NPT	4
66	9041402	1/2 NC X 1 1/4 HHCS PLT GR8	6
67	9041403	1/2 NC X 1 1/2 HHCS PL GR8	14
68	9402970	TOOLBOX MTG. PAD	14
69	942480011	PLATE,SLOT-SS REAR WASHER TBOX	12

Section I - PARTS

50007384, 5230 KNEEBOOM TRANSPORTER (cont'd)



Section I - PARTS

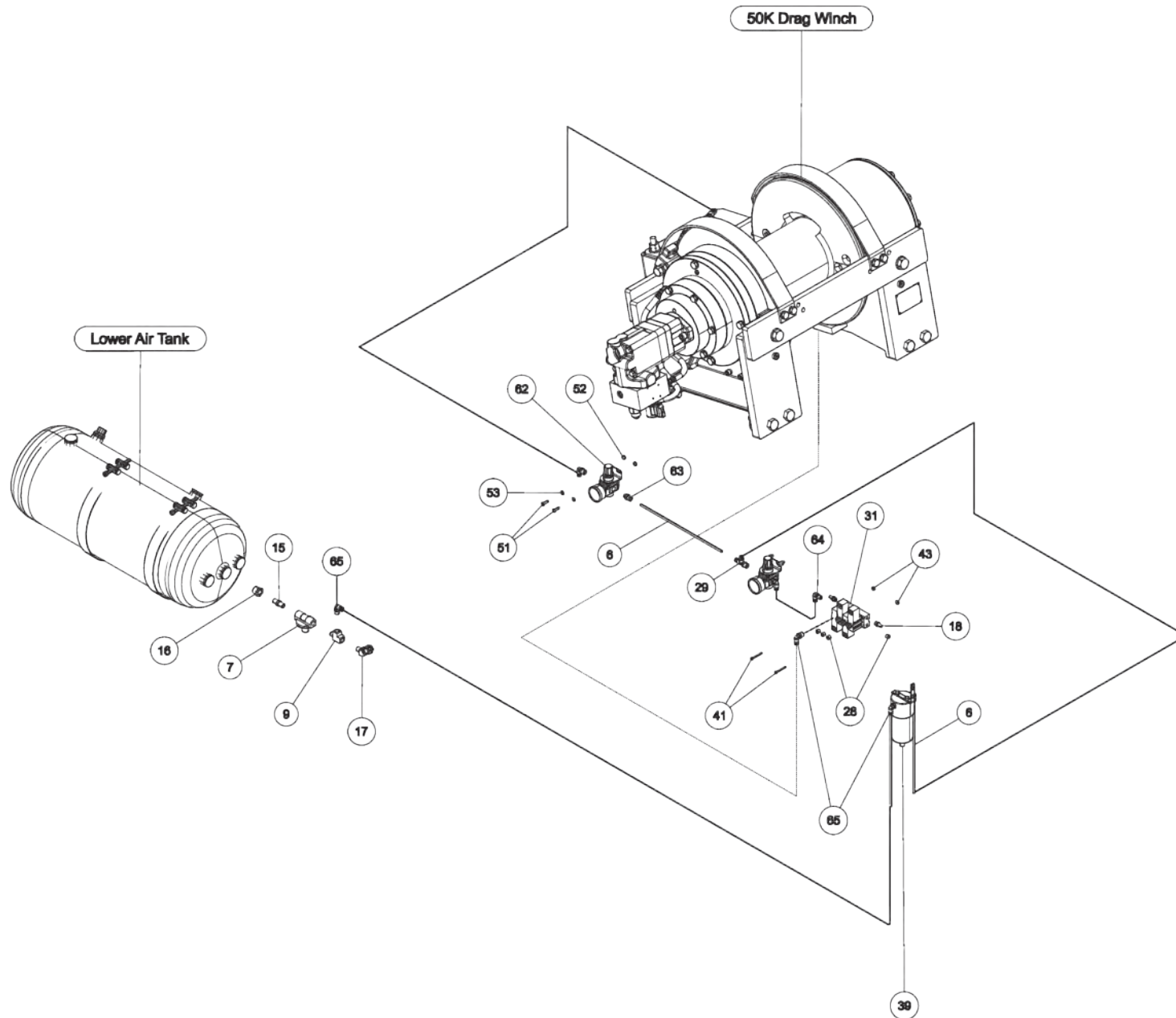
50007384, 5230 KNEEBOOM TRANSPORTER (cont'd)

ITEM	PART NUMBER	DESCRIPTION	QTY
1	0300364	CLAMP-HOSE,0.875"-2.75" 50"LBS	4
2	0300649	UNION, STRAIGHT 12MJ - 12MJ	1
3	03013402	PUMP - HYDRAULIC, 11 GPM	1
4	0301373	PIPE BUSHING	1
5	0301545	FITTING, ELB 12MJ-12MB 90	1
6	0301577	1/4 OD PLASTIC AIRLINE, BLACK	40
7	0301621	PRESSURE PROTECTION VLV.	1
8	03017761	HOSE, HYD 12FJX-10EFG5K-12FJX	2
9	03017827	FITT, BRASS TEE 1/4M-1/4T/1/4T	1
10	0301909	RECEPTACLE BOOT	1
11	0301946	FITTING, BLKHD CONNECT	3
12	0301947	FITTING, 45 DEG ADAPTER	1
13	0301948	HD 7 WAY TRAILER CONNECT	1
14	0302088	BALL VALVE	1
15	0302123	HEX NIPPLE 4MP-4MP	1
16	0302125	PIPE, BUSHING 1/2MPT X 1/4FPT	1
17	0302534	FITTING, 45 DEG ELBOW	3
18	0302677	BREATHER VENT 1/8 MP	2
19	0302698	FITTING, HOSE BARB,1-1/4	1
20	0302699	PIPE NIPPLE - 1-1/4 X 2	1
21	0302756	SUCTION HOSE,1-1/4IDX100 100R4	20
22	0302906	FITTING, ADAPTER	1
23	0303463	BUSHING 1 1/2MP-1 1/4FP	1
24	0303538	FITT, ADAPTER -BRASS 8FP-6MP	1
25	0303539	QUICK DISCONNECT 3/8 FPT	1
26	0304363	QUICK DISCONNECT 1/2 FPT	2
27	0306539	HOSE BARB 20HOSE16MB90	1
28	0306977	FITTING BRASS PLUG 1/8	4
29	0306983	FITT-MALE RUNTEE 1/4T-1/4NPT	1
30	0307151	RUBBER FENDER	28
31	0310190	AIR SOL STK 24VDC 4 BANK	1
32	0310942	LH 180 CB TANDEM ALUM BODY '10	1
33	0310943	RH 180 CB TANDEM ALUM BODY '10	1
34	0311500	LIGHT 6"OVAL REVERSE LED	2
35	0311502	LIGHT 6"OVAL CLEAR-AMBER LED	6

ITEM	PART NUMBER	DESCRIPTION	QTY
36	0311503	GROMMET, LIGHT 6" OVAL	12
37	0311514	LIGHT 2.5" CLEAR LENS-RED LED	2
38	0311516	GROMMET, LIGHT 2.5" ROUND	2
39	0311755	WATER SEPARATOR-MONNIER	1
40	0312309	LIGHT 6" OVAL GLO-LT STT CLR/R	4
41	0400009	SCREW, 8-32X1-1/2 PRH SS	2
42	0400070	SCREW, 1/4-20X1 HHC GR5	9
43	0400351	NUT, 8-32 HEX	2
44	0400367	NUT, 1/4-20 LOK	8
45	0400451	WASHER, 1/4	9
46	0400452	LKWASHER, 1/4	9
47	0400454	WASHER, 1/4 SS	2
48	0400491	LKWASHER, 1/2	20
49	0400497	WASHER, 1/2 GR8	6
50	0400498	WASHER, 1/2X2X0.125	14
51	0400687	SCREW, 10-24X3/4 PRH SS	4
52	0400752	NUT, 10-24 LOK EXT	4
53	0400816	WASHER, M10 SS	4
54	0402021	SCREW, 1/4-20X1 HHC SS	2
55	0402111	LKWASHER, 1/4 SS	2
56	0402113	NUT, 1/4-20 LOK SS	2
57	07017900	PLATE, REAR VALVE COVER, KB55	1
58	0710545	ANGLE, MTG	2
59	08000546	FRONT BODY MOUNT	1
60	09010428	BUA - KNEEBOOM TRANSPORTER 24V	1
61	0908382	KIT - MUDFLAP LRG CENTURY WKR	2
62	0911804	AIR REGULATOR-GAUGE ASSEMBLY	2
63	9010024	FITT, BRASS CONN 1/4T-1/8MP	1
64	9010030	FITT, BRASS ELBOW 1/4T-1/8MPX	1
65	9010520	FITTING-ELBOW 1/4T-1/4NPT	4
66	9041402	1/2 NC X 1 1/4 HHCS PLT GR8	6
67	9041403	1/2 NC X 1 1/2 HHCS PL GR8	14
68	9402970	TOOLBOX MTG. PAD	14
69	942480011	PLATE,SLOT-SS REAR WASHER TBOX	12

Section I - PARTS

50007384, 5230 KNEEBOOM TRANSPORTER (cont'd)



Section I - PARTS

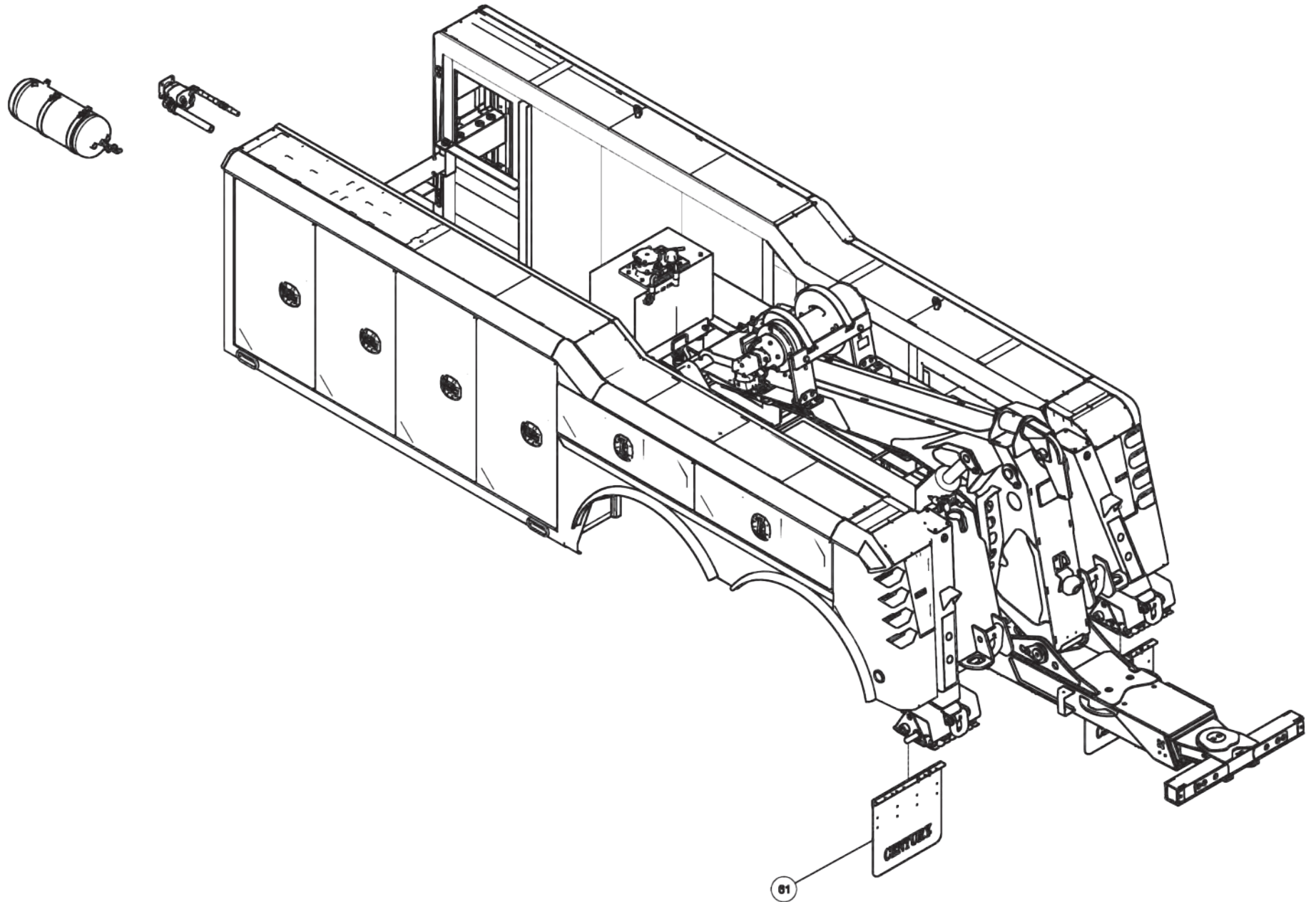
50007384, 5230 KNEEBOOM TRANSPORTER (cont'd)

ITEM	PART NUMBER	DESCRIPTION	QTY
1	0300364	CLAMP-HOSE,0.875"-2.75" 50"LBS	4
2	0300649	UNION, STRAIGHT 12MJ - 12MJ	1
3	03013402	PUMP - HYDRAULIC, 11 GPM	1
4	0301373	PIPE BUSHING	1
5	0301545	FITTING, ELB 12MJ-12MB 90	1
6	0301577	1/4 OD PLASTIC AIRLINE, BLACK	40
7	0301621	PRESSURE PROTECTION VLV.	1
8	03017761	HOSE, HYD 12FJX-10EFG5K-12FJX	2
9	03017827	FITT, BRASS TEE 1/4M-1/4T/1/4T	1
10	0301909	RECEPTACLE BOOT	1
11	0301946	FITTING, BLKHD CONNECT	3
12	0301947	FITTING, 45 DEG ADAPTER	1
13	0301948	HD 7 WAY TRAILER CONNECT	1
14	0302088	BALL VALVE	1
15	0302123	HEX NIPPLE 4MP-4MP	1
16	0302125	PIPE, BUSHING 1/2MPT X 1/4FPT	1
17	0302534	FITTING, 45 DEG ELBOW	3
18	0302677	BREATHER VENT 1/8 MP	2
19	0302698	FITTING, HOSE BARB,1-1/4	1
20	0302699	PIPE NIPPLE - 1-1/4 X 2	1
21	0302756	SUCTION HOSE,1-1/4IDX100 100R4	20
22	0302906	FITTING, ADAPTER	1
23	0303463	BUSHING 1 1/2MP-1 1/4FP	1
24	0303538	FITT, ADAPTER -BRASS 8FP-6MP	1
25	0303539	QUICK DISCONNECT 3/8 FPT	1
26	0304363	QUICK DISCONNECT 1/2 FPT	2
27	0306539	HOSE BARB 20HOSE16MB90	1
28	0306977	FITTING BRASS PLUG 1/8	4
29	0306983	FITT-MALE RUNTEE 1/4T-1/4NPT	1
30	0307151	RUBBER FENDER	28
31	0310190	AIR SOL STK 24VDC 4 BANK	1
32	0310942	LH 180 CB TANDEM ALUM BODY '10	1
33	0310943	RH 180 CB TANDEM ALUM BODY '10	1
34	0311500	LIGHT 6"OVAL REVERSE LED	2
35	0311502	LIGHT 6"OVAL CLEAR-AMBER LED	6

ITEM	PART NUMBER	DESCRIPTION	QTY
36	0311503	GROMMET, LIGHT 6" OVAL	12
37	0311514	LIGHT 2.5" CLEAR LENS-RED LED	2
38	0311516	GROMMET, LIGHT 2.5" ROUND	2
39	0311755	WATER SEPARATOR-MONNIER	1
40	0312309	LIGHT 6" OVAL GLO-LT STT CLR/R	4
41	0400009	SCREW, 8-32X1-1/2 PRH SS	2
42	0400070	SCREW, 1/4-20X1 HHC GR5	9
43	0400351	NUT, 8-32 HEX	2
44	0400367	NUT, 1/4-20 LOK	8
45	0400451	WASHER, 1/4	9
46	0400452	LKWASHER, 1/4	9
47	0400454	WASHER, 1/4 SS	2
48	0400491	LKWASHER, 1/2	20
49	0400497	WASHER, 1/2 GR8	6
50	0400498	WASHER, 1/2X2X0.125	14
51	0400687	SCREW, 10-24X3/4 PRH SS	4
52	0400752	NUT, 10-24 LOK EXT	4
53	0400816	WASHER, M10 SS	4
54	0402021	SCREW, 1/4-20X1 HHC SS	2
55	0402111	LKWASHER, 1/4 SS	2
56	0402113	NUT, 1/4-20 LOK SS	2
57	07017900	PLATE, REAR VALVE COVER, KB55	1
58	0710545	ANGLE, MTG	2
59	08000546	FRONT BODY MOUNT	1
60	09010428	BUA - KNEEBOOM TRANSPORTER 24V	1
61	0908382	KIT - MUDFLAP LRG CENTURY WKR	2
62	0911804	AIR REGULATOR-GAUGE ASSEMBLY	2
63	9010024	FITT, BRASS CONN 1/4T-1/8MP	1
64	9010030	FITT, BRASS ELBOW 1/4T-1/8MPX	1
65	9010520	FITTING-ELBOW 1/4T-1/4NPT	4
66	9041402	1/2 NC X 1 1/4 HHCS PLT GR8	6
67	9041403	1/2 NC X 1 1/2 HHCS PL GR8	14
68	9402970	TOOLBOX MTG. PAD	14
69	942480011	PLATE,SLOT-SS REAR WASHER TBOX	12

Section I - PARTS

50007384, 5230 KNEEBOOM TRANSPORTER (cont'd)



Section I - PARTS

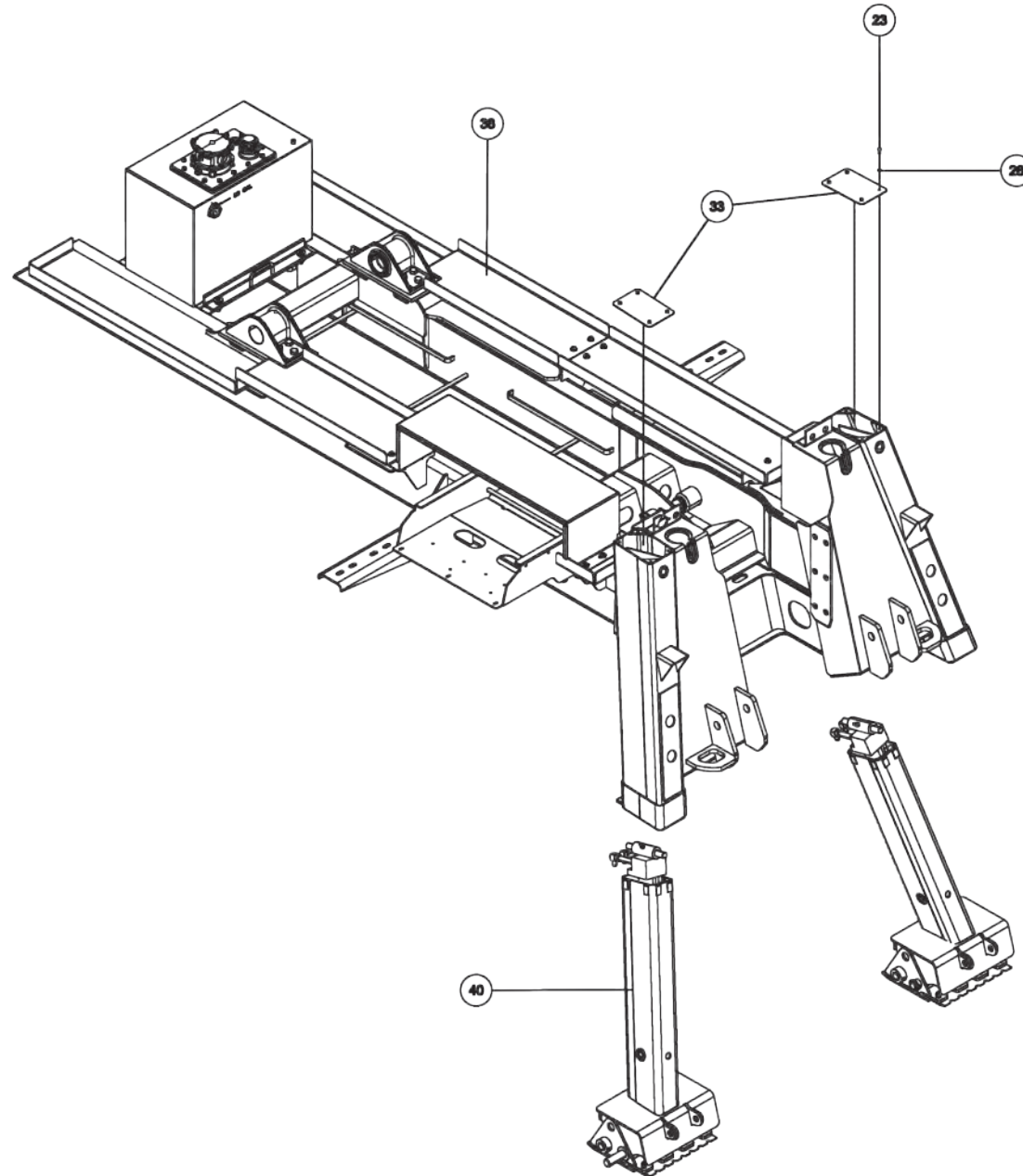
50007384, 5230 KNEEBOOM TRANSPORTER (cont'd)

ITEM	PART NUMBER	DESCRIPTION	QTY
1	0300364	CLAMP-HOSE,0.875"-2.75" 50"LBS	4
2	0300649	UNION, STRAIGHT 12MJ - 12MJ	1
3	03013402	PUMP - HYDRAULIC, 11 GPM	1
4	0301373	PIPE BUSHING	1
5	0301545	FITTING, ELB 12MJ-12MB 90	1
6	0301577	1/4 OD PLASTIC AIRLINE, BLACK	40
7	0301621	PRESSURE PROTECTION VLV.	1
8	03017761	HOSE, HYD 12FJX-10EFG5K-12FJX	2
9	03017827	FITT, BRASS TEE 1/4M-1/4T/1/4T	1
10	0301909	RECEPTACLE BOOT	1
11	0301946	FITTING, BLKHD CONNECT	3
12	0301947	FITTING, 45 DEG ADAPTER	1
13	0301948	HD 7 WAY TRAILER CONNECT	1
14	0302088	BALL VALVE	1
15	0302123	HEX NIPPLE 4MP-4MP	1
16	0302125	PIPE, BUSHING 1/2MPT X 1/4FPT	1
17	0302534	FITTING, 45 DEG ELBOW	3
18	0302677	BREATHER VENT 1/8 MP	2
19	0302698	FITTING, HOSE BARB,1-1/4	1
20	0302699	PIPE NIPPLE - 1-1/4 X 2	1
21	0302756	SUCTION HOSE,1-1/4IDX100 100R4	20
22	0302906	FITTING, ADAPTER	1
23	0303463	BUSHING 1 1/2MP-1 1/4FP	1
24	0303538	FITT, ADAPTER -BRASS 8FP-6MP	1
25	0303539	QUICK DISCONNECT 3/8 FPT	1
26	0304363	QUICK DISCONNECT 1/2 FPT	2
27	0306539	HOSE BARB 20HOSE16MB90	1
28	0306977	FITTING BRASS PLUG 1/8	4
29	0306983	FITT-MALE RUNTEE 1/4T-1/4NPT	1
30	0307151	RUBBER FENDER	28
31	0310190	AIR SOL STK 24VDC 4 BANK	1
32	0310942	LH 180 CB TANDEM ALUM BODY '10	1
33	0310943	RH 180 CB TANDEM ALUM BODY '10	1
34	0311500	LIGHT 6"OVAL REVERSE LED	2
35	0311502	LIGHT 6"OVAL CLEAR-AMBER LED	6

ITEM	PART NUMBER	DESCRIPTION	QTY
36	0311503	GROMMET, LIGHT 6" OVAL	12
37	0311514	LIGHT 2.5" CLEAR LENS-RED LED	2
38	0311516	GROMMET, LIGHT 2.5" ROUND	2
39	0311755	WATER SEPARATOR-MONNIER	1
40	0312309	LIGHT 6" OVAL GLO-LT STT CLR/R	4
41	0400009	SCREW, 8-32X1-1/2 PRH SS	2
42	0400070	SCREW, 1/4-20X1 HHC GR5	9
43	0400351	NUT, 8-32 HEX	2
44	0400367	NUT, 1/4-20 LOK	8
45	0400451	WASHER, 1/4	9
46	0400452	LKWASHER, 1/4	9
47	0400454	WASHER, 1/4 SS	2
48	0400491	LKWASHER, 1/2	20
49	0400497	WASHER, 1/2 GR8	6
50	0400498	WASHER, 1/2X2X0.125	14
51	0400687	SCREW, 10-24X3/4 PRH SS	4
52	0400752	NUT, 10-24 LOK EXT	4
53	0400816	WASHER, M10 SS	4
54	0402021	SCREW, 1/4-20X1 HHC SS	2
55	0402111	LKWASHER, 1/4 SS	2
56	0402113	NUT, 1/4-20 LOK SS	2
57	07017900	PLATE, REAR VALVE COVER, KB55	1
58	0710545	ANGLE, MTG	2
59	08000546	FRONT BODY MOUNT	1
60	09010428	BUA - KNEEBOOM TRANSPORTER 24V	1
61	0908382	KIT - MUDFLAP LRG CENTURY WKR	2
62	0911804	AIR REGULATOR-GAUGE ASSEMBLY	2
63	9010024	FITT, BRASS CONN 1/4T-1/8MP	1
64	9010030	FITT, BRASS ELBOW 1/4T-1/8MPX	1
65	9010520	FITTING-ELBOW 1/4T-1/4NPT	4
66	9041402	1/2 NC X 1 1/4 HHCS PLT GR8	6
67	9041403	1/2 NC X 1 1/2 HHCS PL GR8	14
68	9402970	TOOLBOX MTG. PAD	14
69	942480011	PLATE,SLOT-SS REAR WASHER TBOX	12

Section I - PARTS

09010428, BUA KNEEBOOM TRANSPORTER



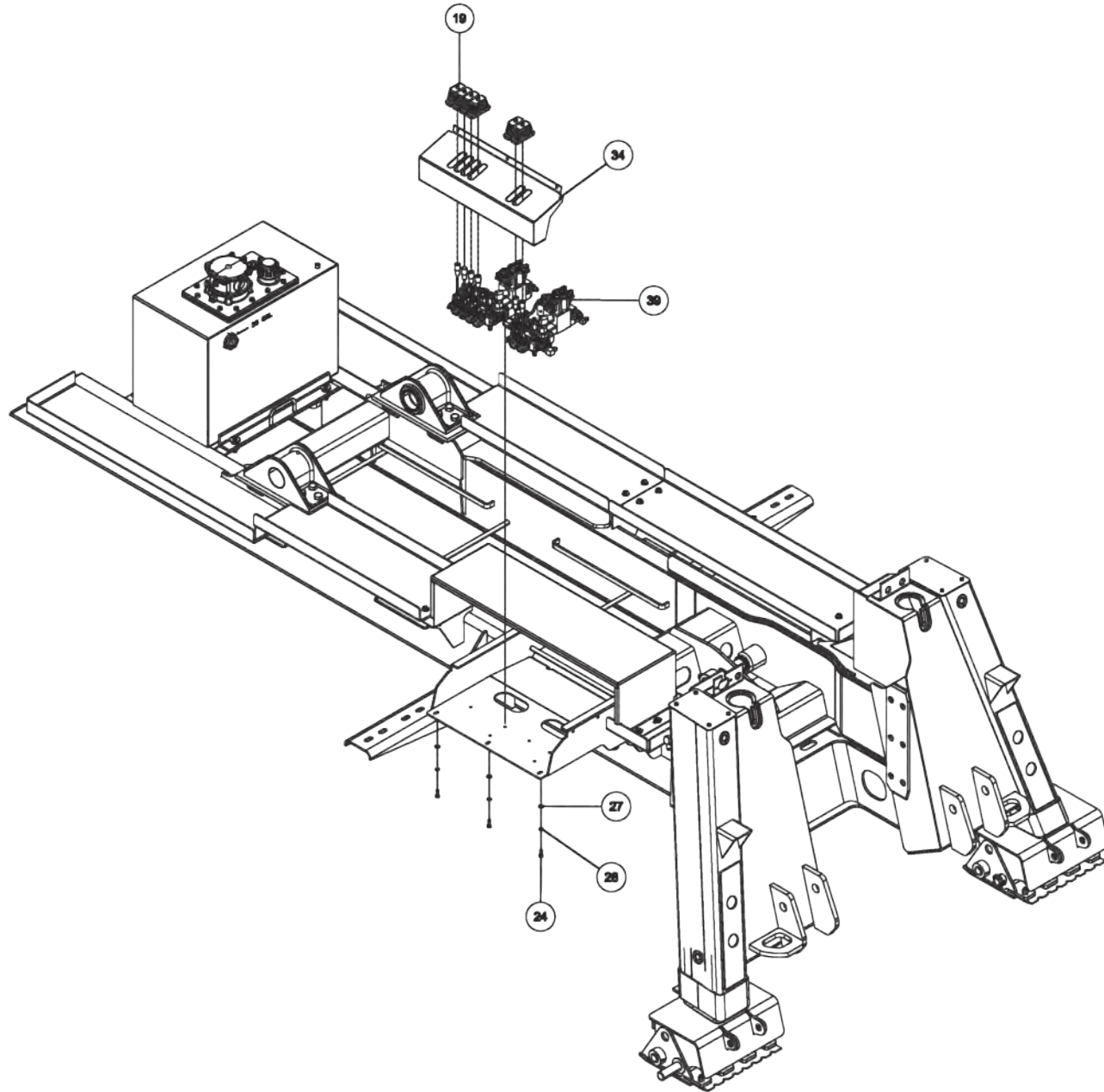
Section I - PARTS

09010428, BUA KNEEBOOM TRANSPORTER (cont'd)

ITEM	PART NUMBER	DESCRIPTION	QTY
1	0300113	GREASE FITTING, 1/4-28 STR	1
2	0300229	FITTING, ELB 8MJ-8MP90	1
3	03003426	HOSE, HYD 45" LG	4
4	03003940	HOSE, HYD	2
5	0300657	HOSE HYD, 46" LG	1
6	0301473	HOSE HYD, 18" LG	1
7	03017681	HOSE, HYD 6FJX 6M4K 6FJX90S	4
8	03017682	HOSE, HYD 6FJX 6M4K 6FJX90S	2
9	0301995	FITTING, ADAPTER STR	1
10	0302065	FITTING, 6-FJ CAP	1
11	0302205	GAUGE, FLUSH MNTG-6000 PSI	1
12	0302581	HOSE HYD, 36"	2
13	0302727	FITTING, HYD CONN	1
14	0303748	HOSE HYD, 136	4
15	0306537	EMERGENCY SWITCH (RAMSEY)	1
16	0306651	MCGILL SWITCH 24V SSW08520283	4
17	0307345	CONNECTOR, 16MJ-12MJ	2
18	0307424	FITTING, TEE 16MJ-16MJ-16FJX	1
19	0310148	BOOT, CONTROL HANDLE	6
20	0310432	FITTING - ADAPTER 16MJ-20MB	1
21	0311439	HOSE ASSY 156" LG 6FJX-6FJX90	1
22	0400005	SCREW, 6-32X1/2 PRH SS	3
23	0400066	SCREW, 1/4-20X3/4 HHC GR5	8
24	0400109	SCREW, 5/16-18X1 HHC GR5	15
25	0400111	SCREW, 5/16-18X2 HHC GR5	2
26	0400452	LKWASHER, 1/4	8
27	0400463	WASHER, 5/16	15
28	0400464	LKWASHER, 5/16	15
29	0400776	NUT, 5/16-18 JAM LOK	2
30	0402094	NUT, HEX 6-32 SS	3
31	07017406	PLATE, DISPLAY PANEL, KB TRANS	1
32	0712380	D-RING	2
33	0715796	PLATE, COVER SPADES 4024	2
34	08011008	FRT COVER, CONT STAT, KB TRANS	1
35	08011010	TOP COVER, CONT STAT, KB TRANS	1
36	09001440	50K DRAG WINCH ASSY	1
37	09004266	U/L BOOM ASSEMBLY (SHORT)	1
38	09010429	SUBFRAME ASSY - KNEEBOOM TRANS	1
39	09012729	VALVE ASSEMBLY, 24V, KB TRANS	1
40	0907021	REAR SPADE ASSY	1
41	0911957	KIT, D-RING PARTS	2
42	0912063	XBAR ASY-XHD 5X5 CENT W/ LWRDR	1
43	AWS-6821-A	HOSE ASSY-PRESSURE	2
44	BA0259	PIN - "D" RING	2

Section I - PARTS

09010428, BUA KNEEBOOM TRANSPORTER (cont'd)



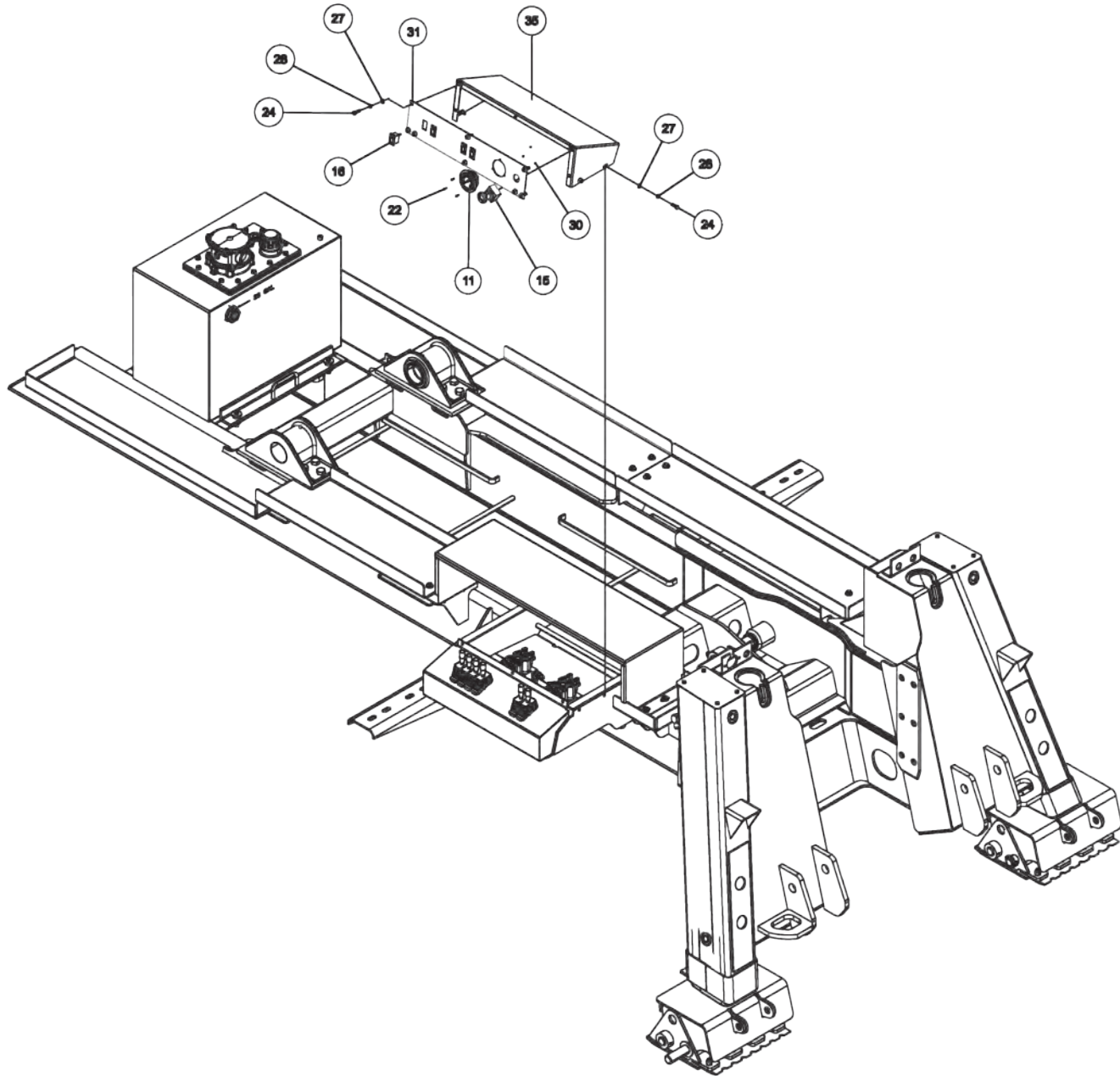
Section I - PARTS

09010428, BUA KNEEBOOM TRANSPORTER (cont'd)

ITEM	PART NUMBER	DESCRIPTION	QTY
1	0300113	GREASE FITTING, 1/4-28 STR	1
2	0300229	FITTING, ELB 8MJ-8MP90	1
3	03003426	HOSE, HYD 45" LG	4
4	03003940	HOSE, HYD	2
5	0300657	HOSE HYD, 46" LG	1
6	0301473	HOSE HYD, 18" LG	1
7	03017681	HOSE, HYD 6FJX 6M4K 6FJX90S	4
8	03017682	HOSE, HYD 6FJX 6M4K 6FJX90S	2
9	0301995	FITTING, ADAPTER STR	1
10	0302065	FITTING, 6-FJ CAP	1
11	0302205	GAUGE, FLUSH MNTG-6000 PSI	1
12	0302581	HOSE HYD, 36"	2
13	0302727	FITTING, HYD CONN	1
14	0303748	HOSE HYD, 136	4
15	0306537	EMERGENCY SWITCH (RAMSEY)	1
16	0306651	MCGILL SWITCH 24V SSW08520283	4
17	0307345	CONNECTOR, 16MJ-12MJ	2
18	0307424	FITTING, TEE 16MJ-16MJ-16FJX	1
19	0310148	BOOT, CONTROL HANDLE	6
20	0310432	FITTING - ADAPTER 16MJ-20MB	1
21	0311439	HOSE ASSY 156" LG 6FJX-6FJX90	1
22	0400005	SCREW, 6-32X1/2 PRH SS	3
23	0400066	SCREW, 1/4-20X3/4 HHC GR5	8
24	0400109	SCREW, 5/16-18X1 HHC GR5	15
25	0400111	SCREW, 5/16-18X2 HHC GR5	2
26	0400452	LKWASHER, 1/4	8
27	0400463	WASHER, 5/16	15
28	0400464	LKWASHER, 5/16	15
29	0400776	NUT, 5/16-18 JAM LOK	2
30	0402094	NUT, HEX 6-32 SS	3
31	07017406	PLATE, DISPLAY PANEL, KB TRANS	1
32	0712380	D-RING	2
33	0715796	PLATE, COVER SPADES 4024	2
34	08011008	FRT COVER, CONT STAT, KB TRANS	1
35	08011010	TOP COVER, CONT STAT, KB TRANS	1
36	09001440	50K DRAG WINCH ASSY	1
37	09004266	U/L BOOM ASSEMBLY (SHORT)	1
38	09010429	SUBFRAME ASSY - KNEEBOOM TRANS	1
39	09012729	VALVE ASSEMBLY, 24V, KB TRANS	1
40	0907021	REAR SPADE ASSY	1
41	0911957	KIT, D-RING PARTS	2
42	0912063	XBAR ASY-XHD 5X5 CENT W/ LWRDR	1
43	AWS-6821-A	HOSE ASSY-PRESSURE	2
44	BA0259	PIN - "D" RING	2

Section I - PARTS

09010428, BUA KNEEBOOM TRANSPORTER (cont'd)



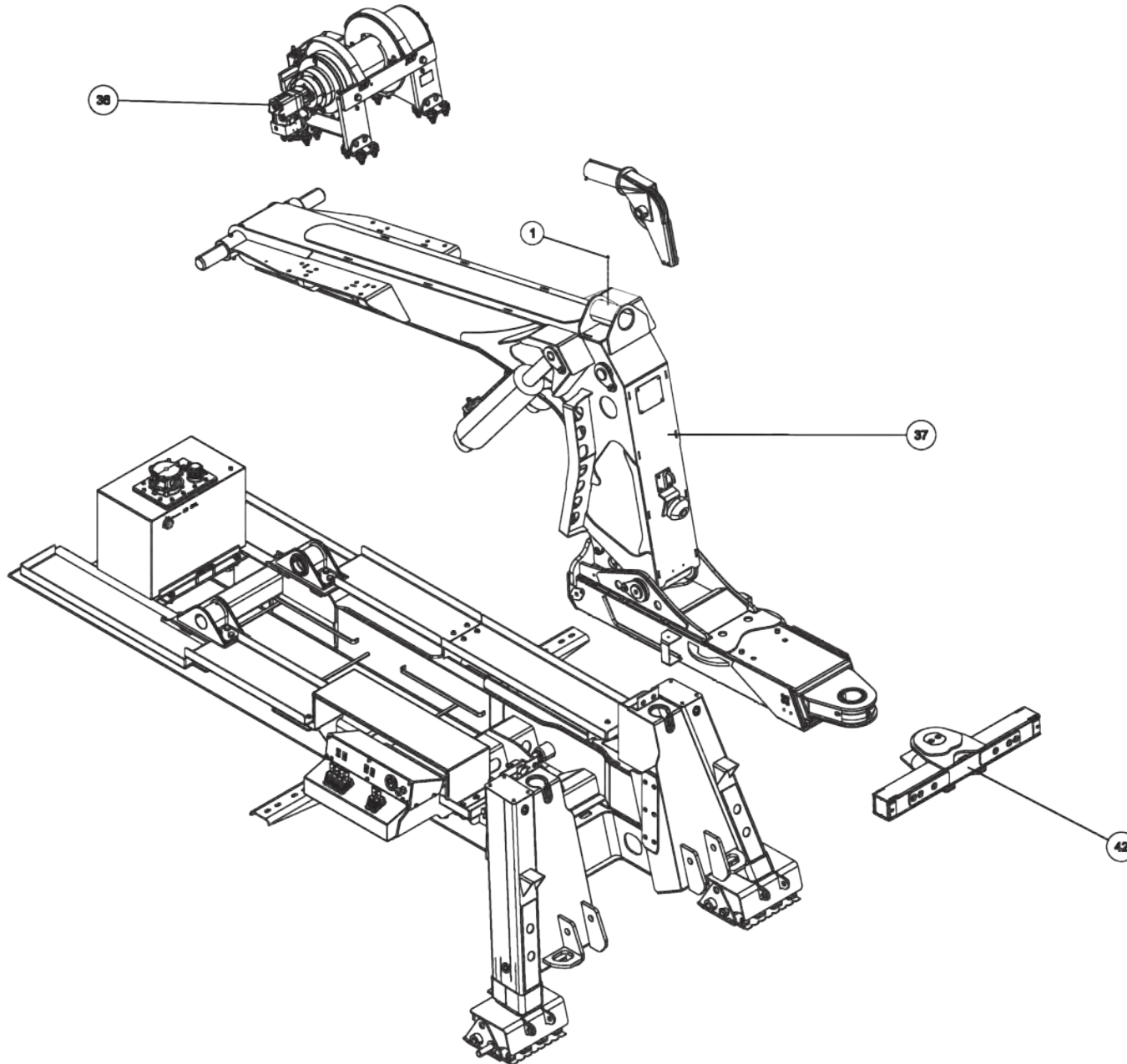
Section I - PARTS

09010428, BUA KNEEBOOM TRANSPORTER (cont'd)

ITEM	PART NUMBER	DESCRIPTION	QTY
1	0300113	GREASE FITTING, 1/4-28 STR	1
2	0300229	FITTING, ELB 8MJ-8MP90	1
3	03003426	HOSE, HYD 45" LG	4
4	03003940	HOSE, HYD	2
5	0300657	HOSE HYD, 46" LG	1
6	0301473	HOSE HYD, 18" LG	1
7	03017681	HOSE, HYD 6FJX 6M4K 6FJX90S	4
8	03017682	HOSE, HYD 6FJX 6M4K 6FJX90S	2
9	0301995	FITTING, ADAPTER STR	1
10	0302065	FITTING, 6-FJ CAP	1
11	0302205	GAUGE, FLUSH MNTG-6000 PSI	1
12	0302581	HOSE HYD, 36"	2
13	0302727	FITTING, HYD CONN	1
14	0303748	HOSE HYD, 136	4
15	0306537	EMERGENCY SWITCH (RAMSEY)	1
16	0306651	MCGILL SWITCH 24V SSW08520283	4
17	0307345	CONNECTOR, 16MJ-12MJ	2
18	0307424	FITTING, TEE 16MJ-16MJ-16FJX	1
19	0310148	BOOT, CONTROL HANDLE	6
20	0310432	FITTING - ADAPTER 16MJ-20MB	1
21	0311439	HOSE ASSY 156" LG 6FJX-6FJX90	1
22	0400005	SCREW, 6-32X1/2 PRH SS	3
23	0400066	SCREW, 1/4-20X3/4 HHC GR5	8
24	0400109	SCREW, 5/16-18X1 HHC GR5	15
25	0400111	SCREW, 5/16-18X2 HHC GR5	2
26	0400452	LKWASHER, 1/4	8
27	0400463	WASHER, 5/16	15
28	0400464	LKWASHER, 5/16	15
29	0400776	NUT, 5/16-18 JAM LOK	2
30	0402094	NUT, HEX 6-32 SS	3
31	07017406	PLATE, DISPLAY PANEL, KB TRANS	1
32	0712380	D-RING	2
33	0715796	PLATE, COVER SPADES 4024	2
34	08011008	FRT COVER, CONT STAT, KB TRANS	1
35	08011010	TOP COVER, CONT STAT, KB TRANS	1
36	09001440	50K DRAG WINCH ASSY	1
37	09004266	U/L BOOM ASSEMBLY (SHORT)	1
38	09010429	SUBFRAME ASSY - KNEEBOOM TRANS	1
39	09012729	VALVE ASSEMBLY, 24V, KB TRANS	1
40	0907021	REAR SPADE ASSY	1
41	0911957	KIT, D-RING PARTS	2
42	0912063	XBAR ASY-XHD 5X5 CENT W/ LWRDR	1
43	AWS-6821-A	HOSE ASSY-PRESSURE	2
44	BA0259	PIN - "D" RING	2

Section I - PARTS

09010428, BUA KNEEBOOM TRANSPORTER (cont'd)



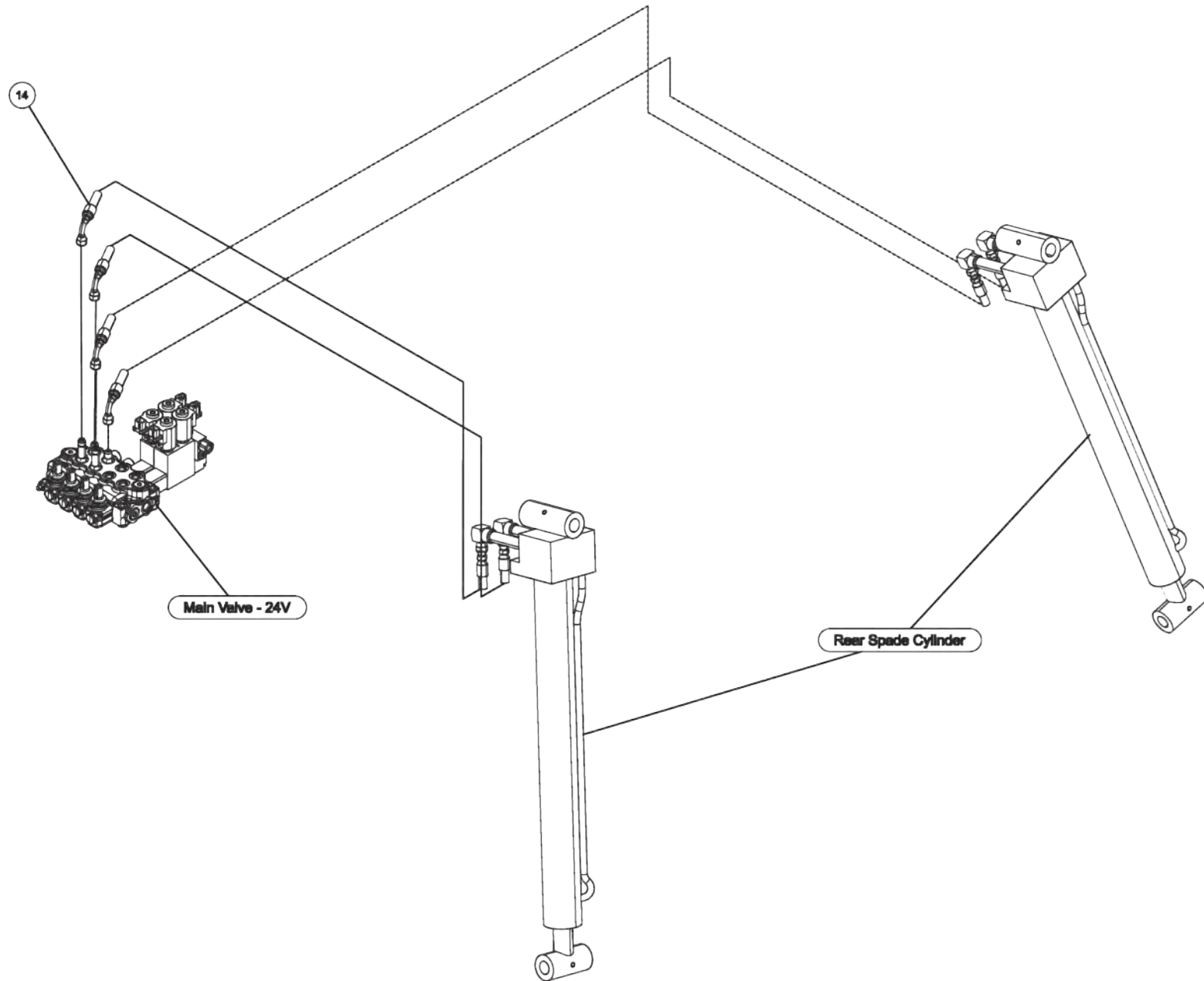
Section I - PARTS

09010428, BUA KNEEBOOM TRANSPORTER (cont'd)

ITEM	PART NUMBER	DESCRIPTION	QTY
1	0300113	GREASE FITTING, 1/4-28 STR	1
2	0300229	FITTING, ELB 8MJ-8MP90	1
3	03003426	HOSE, HYD 45" LG	4
4	03003940	HOSE, HYD	2
5	0300657	HOSE HYD, 46" LG	1
6	0301473	HOSE HYD, 18" LG	1
7	03017681	HOSE, HYD 6FJX 6M4K 6FJX90S	4
8	03017682	HOSE, HYD 6FJX 6M4K 6FJX90S	2
9	0301995	FITTING, ADAPTER STR	1
10	0302065	FITTING, 6-FJ CAP	1
11	0302205	GAUGE, FLUSH MNTG-6000 PSI	1
12	0302581	HOSE HYD, 36"	2
13	0302727	FITTING, HYD CONN	1
14	0303748	HOSE HYD, 136	4
15	0306537	EMERGENCY SWITCH (RAMSEY)	1
16	0306651	MCGILL SWITCH 24V SSW08520283	4
17	0307345	CONNECTOR, 16MJ-12MJ	2
18	0307424	FITTING, TEE 16MJ-16MJ-16FJX	1
19	0310148	BOOT, CONTROL HANDLE	6
20	0310432	FITTING - ADAPTER 16MJ-20MB	1
21	0311439	HOSE ASSY 156" LG 6FJX-6FJX90	1
22	0400005	SCREW, 6-32X1/2 PRH SS	3
23	0400066	SCREW, 1/4-20X3/4 HHC GR5	8
24	0400109	SCREW, 5/16-18X1 HHC GR5	15
25	0400111	SCREW, 5/16-18X2 HHC GR5	2
26	0400452	LKWASHER, 1/4	8
27	0400463	WASHER, 5/16	15
28	0400464	LKWASHER, 5/16	15
29	0400776	NUT, 5/16-18 JAM LOK	2
30	0402094	NUT, HEX 6-32 SS	3
31	07017406	PLATE, DISPLAY PANEL, KB TRANS	1
32	0712380	D-RING	2
33	0715796	PLATE, COVER SPADES 4024	2
34	08011008	FRT COVER, CONT STAT, KB TRANS	1
35	08011010	TOP COVER, CONT STAT, KB TRANS	1
36	09001440	50K DRAG WINCH ASSY	1
37	09004266	U/L BOOM ASSEMBLY (SHORT)	1
38	09010429	SUBFRAME ASSY - KNEEBOOM TRANS	1
39	09012729	VALVE ASSEMBLY, 24V, KB TRANS	1
40	0907021	REAR SPADE ASSY	1
41	0911957	KIT, D-RING PARTS	2
42	0912063	XBAR ASY-XHD 5X5 CENT W/ LWRDR	1
43	AWS-6821-A	HOSE ASSY-PRESSURE	2
44	BA0259	PIN - "D" RING	2

Section I - PARTS

09010428, BUA KNEEBOOM TRANSPORTER (cont'd)



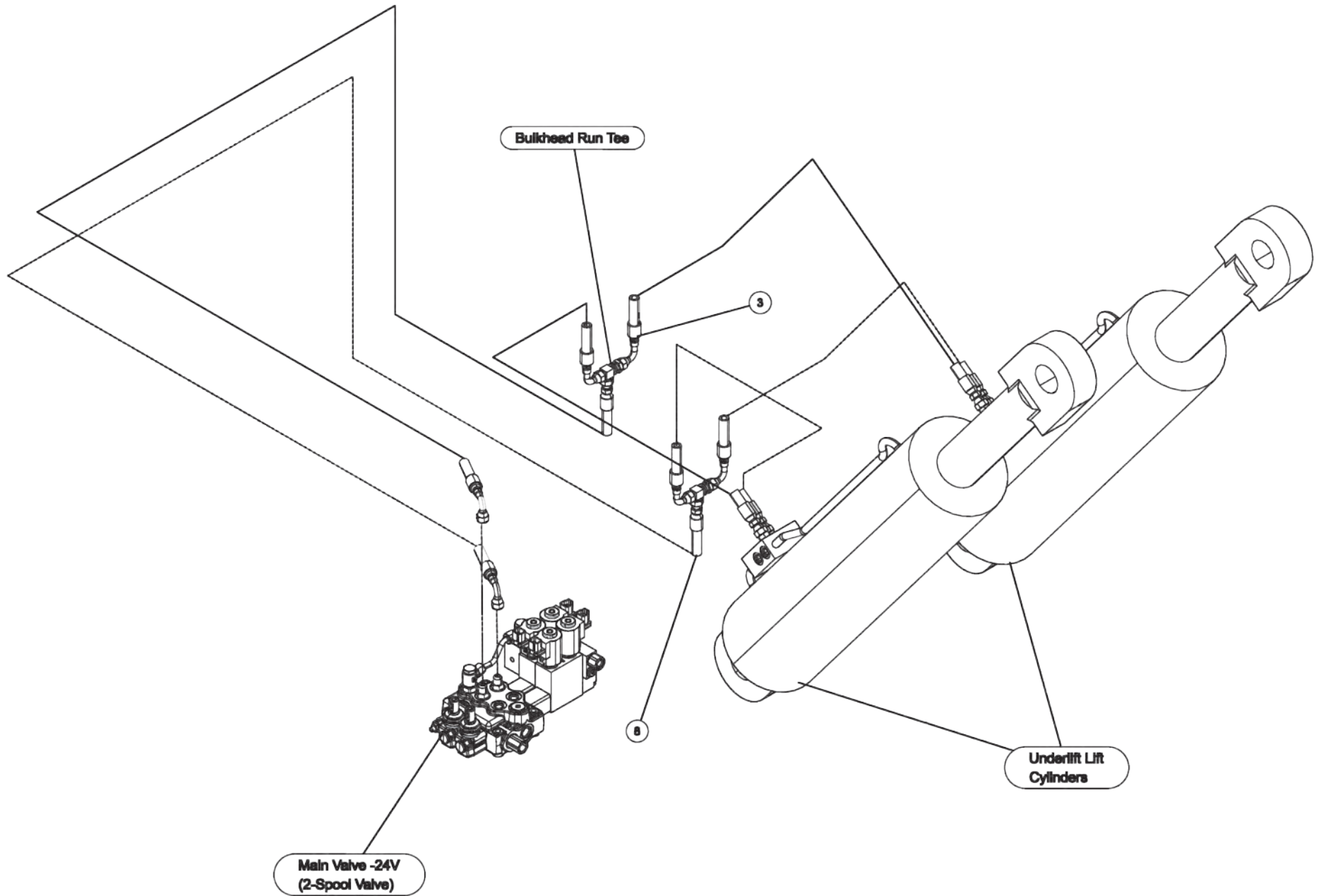
Section I - PARTS

09010428, BUA KNEEBOOM TRANSPORTER (cont'd)

ITEM	PART NUMBER	DESCRIPTION	QTY
1	0300113	GREASE FITTING, 1/4-28 STR	1
2	0300229	FITTING, ELB 8MJ-8MP90	1
3	03003426	HOSE, HYD 45" LG	4
4	03003940	HOSE, HYD	2
5	0300657	HOSE HYD, 46" LG	1
6	0301473	HOSE HYD, 18" LG	1
7	03017681	HOSE, HYD 6FJX 6M4K 6FJX90S	4
8	03017682	HOSE, HYD 6FJX 6M4K 6FJX90S	2
9	0301995	FITTING, ADAPTER STR	1
10	0302065	FITTING, 6-FJ CAP	1
11	0302205	GAUGE, FLUSH MNTG-6000 PSI	1
12	0302581	HOSE HYD, 36"	2
13	0302727	FITTING, HYD CONN	1
14	0303748	HOSE HYD, 136	4
15	0306537	EMERGENCY SWITCH (RAMSEY)	1
16	0306651	MCGILL SWITCH 24V SSW08520283	4
17	0307345	CONNECTOR, 16MJ-12MJ	2
18	0307424	FITTING, TEE 16MJ-16MJ-16FJX	1
19	0310148	BOOT, CONTROL HANDLE	6
20	0310432	FITTING - ADAPTER 16MJ-20MB	1
21	0311439	HOSE ASSY 156" LG 6FJX-6FJX90	1
22	0400005	SCREW, 6-32X1/2 PRH SS	3
23	0400066	SCREW, 1/4-20X3/4 HHC GR5	8
24	0400109	SCREW, 5/16-18X1 HHC GR5	15
25	0400111	SCREW, 5/16-18X2 HHC GR5	2
26	0400452	LKWASHER, 1/4	8
27	0400463	WASHER, 5/16	15
28	0400464	LKWASHER, 5/16	15
29	0400776	NUT, 5/16-18 JAM LOK	2
30	0402094	NUT, HEX 6-32 SS	3
31	07017406	PLATE, DISPLAY PANEL, KB TRANS	1
32	0712380	D-RING	2
33	0715796	PLATE, COVER SPADES 4024	2
34	08011008	FRT COVER, CONT STAT, KB TRANS	1
35	08011010	TOP COVER, CONT STAT, KB TRANS	1
36	09001440	50K DRAG WINCH ASSY	1
37	09004266	U/L BOOM ASSEMBLY (SHORT)	1
38	09010429	SUBFRAME ASSY - KNEEBOOM TRANS	1
39	09012729	VALVE ASSEMBLY, 24V, KB TRANS	1
40	0907021	REAR SPADE ASSY	1
41	0911957	KIT, D-RING PARTS	2
42	0912063	XBAR ASY-XHD 5X5 CENT W/ LWRDR	1
43	AWS-6821-A	HOSE ASSY-PRESSURE	2
44	BA0259	PIN - "D" RING	2

Section I - PARTS

09010428, BUA KNEEBOOM TRANSPORTER (cont'd)



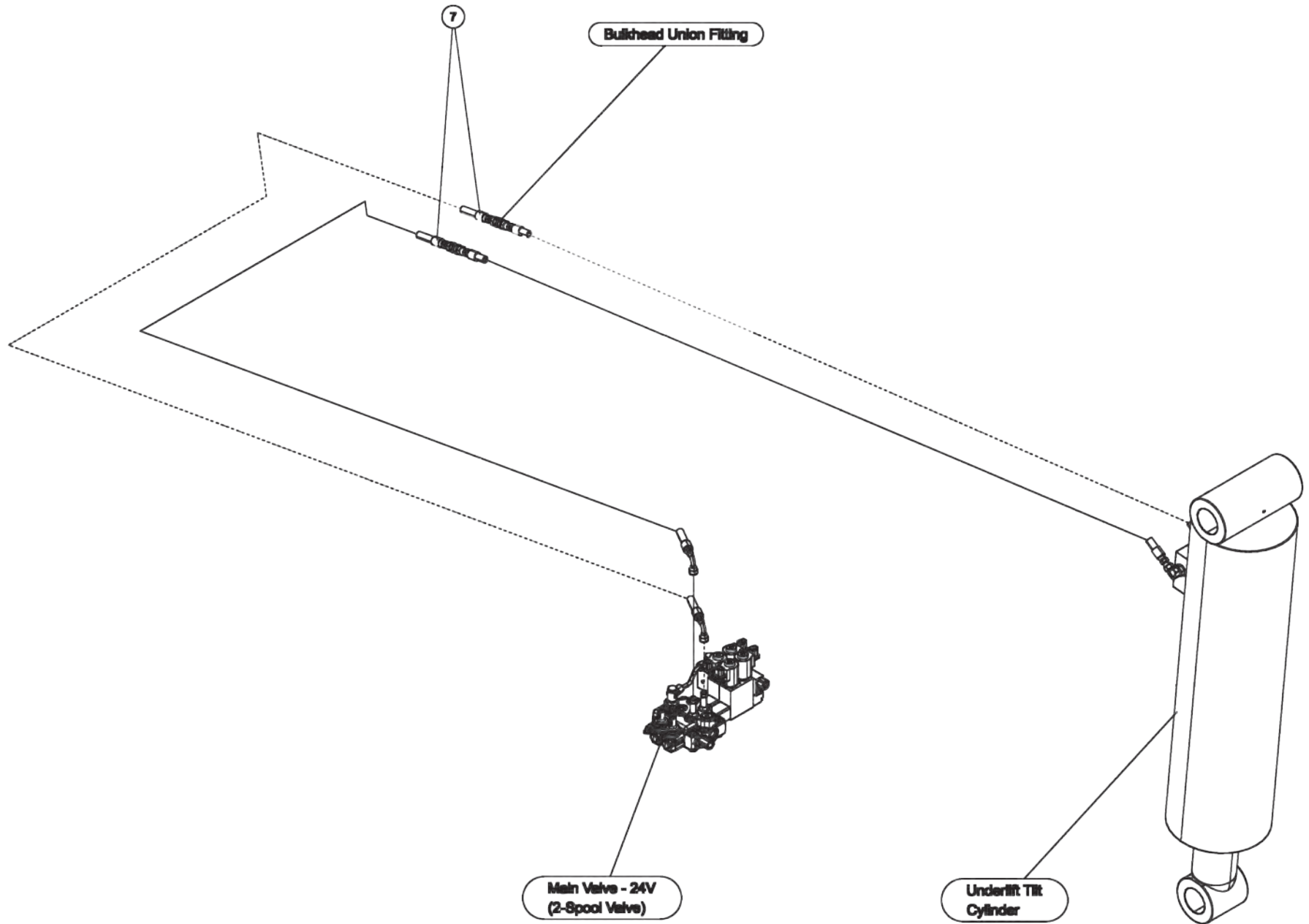
Section I - PARTS

09010428, BUA KNEEBOOM TRANSPORTER (cont'd)

ITEM	PART NUMBER	DESCRIPTION	QTY
1	0300113	GREASE FITTING, 1/4-28 STR	1
2	0300229	FITTING, ELB 8MJ-8MP90	1
3	03003426	HOSE, HYD 45" LG	4
4	03003940	HOSE, HYD	2
5	0300657	HOSE HYD, 46" LG	1
6	0301473	HOSE HYD, 18" LG	1
7	03017681	HOSE, HYD 6FJX 6M4K 6FJX90S	4
8	03017682	HOSE, HYD 6FJX 6M4K 6FJX90S	2
9	0301995	FITTING, ADAPTER STR	1
10	0302065	FITTING, 6-FJ CAP	1
11	0302205	GAUGE, FLUSH MNTG-6000 PSI	1
12	0302581	HOSE HYD, 36"	2
13	0302727	FITTING, HYD CONN	1
14	0303748	HOSE HYD, 136	4
15	0306537	EMERGENCY SWITCH (RAMSEY)	1
16	0306651	MCGILL SWITCH 24V SSW08520283	4
17	0307345	CONNECTOR, 16MJ-12MJ	2
18	0307424	FITTING, TEE 16MJ-16MJ-16FJX	1
19	0310148	BOOT, CONTROL HANDLE	6
20	0310432	FITTING - ADAPTER 16MJ-20MB	1
21	0311439	HOSE ASSY 156" LG 6FJX-6FJX90	1
22	0400005	SCREW, 6-32X1/2 PRH SS	3
23	0400066	SCREW, 1/4-20X3/4 HHC GR5	8
24	0400109	SCREW, 5/16-18X1 HHC GR5	15
25	0400111	SCREW, 5/16-18X2 HHC GR5	2
26	0400452	LKWASHER, 1/4	8
27	0400463	WASHER, 5/16	15
28	0400464	LKWASHER, 5/16	15
29	0400776	NUT, 5/16-18 JAM LOK	2
30	0402094	NUT, HEX 6-32 SS	3
31	07017406	PLATE, DISPLAY PANEL, KB TRANS	1
32	0712380	D-RING	2
33	0715796	PLATE, COVER SPADES 4024	2
34	08011008	FRT COVER, CONT STAT, KB TRANS	1
35	08011010	TOP COVER, CONT STAT, KB TRANS	1
36	09001440	50K DRAG WINCH ASSY	1
37	09004266	U/L BOOM ASSEMBLY (SHORT)	1
38	09010429	SUBFRAME ASSY - KNEEBOOM TRANS	1
39	09012729	VALVE ASSEMBLY, 24V, KB TRANS	1
40	0907021	REAR SPADE ASSY	1
41	0911957	KIT, D-RING PARTS	2
42	0912063	XBAR ASY-XHD 5X5 CENT W/ LWRDR	1
43	AWS-6821-A	HOSE ASSY-PRESSURE	2
44	BA0259	PIN - "D" RING	2

Section I - PARTS

09010428, BUA KNEEBOOM TRANSPORTER (cont'd)



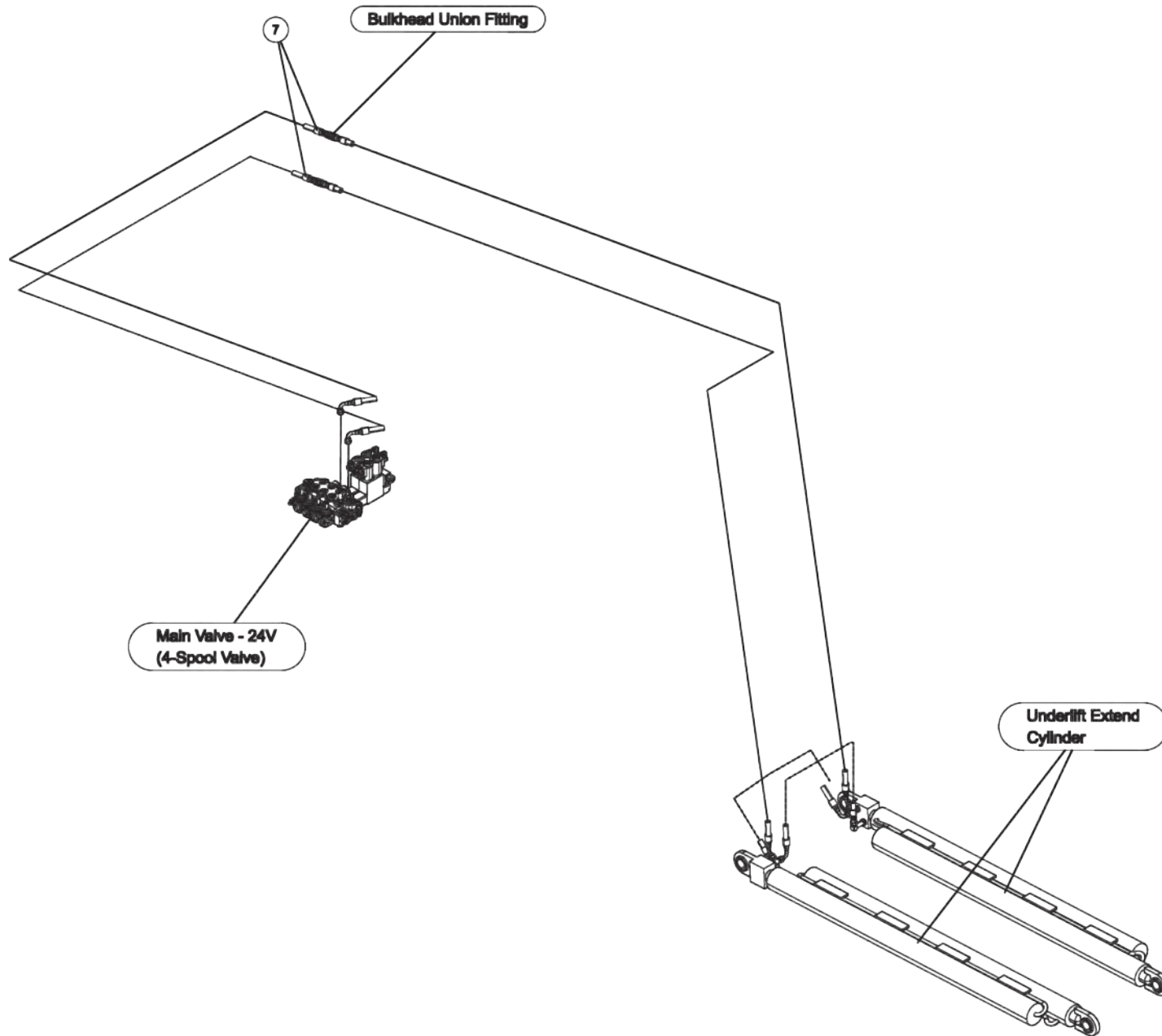
Section I - PARTS

09010428, BUA KNEEBOOM TRANSPORTER (cont'd)

ITEM	PART NUMBER	DESCRIPTION	QTY
1	0300113	GREASE FITTING, 1/4-28 STR	1
2	0300229	FITTING, ELB 8MJ-8MP90	1
3	03003426	HOSE, HYD 45" LG	4
4	03003940	HOSE, HYD	2
5	0300657	HOSE HYD, 46" LG	1
6	0301473	HOSE HYD, 18" LG	1
7	03017681	HOSE, HYD 6FJX 6M4K 6FJX90S	4
8	03017682	HOSE, HYD 6FJX 6M4K 6FJX90S	2
9	0301995	FITTING, ADAPTER STR	1
10	0302065	FITTING, 6-FJ CAP	1
11	0302205	GAUGE, FLUSH MNTG-6000 PSI	1
12	0302581	HOSE HYD, 36"	2
13	0302727	FITTING, HYD CONN	1
14	0303748	HOSE HYD, 136	4
15	0306537	EMERGENCY SWITCH (RAMSEY)	1
16	0306651	MCGILL SWITCH 24V SSW08520283	4
17	0307345	CONNECTOR, 16MJ-12MJ	2
18	0307424	FITTING, TEE 16MJ-16MJ-16FJX	1
19	0310148	BOOT, CONTROL HANDLE	6
20	0310432	FITTING - ADAPTER 16MJ-20MB	1
21	0311439	HOSE ASSY 156" LG 6FJX-6FJX90	1
22	0400005	SCREW, 6-32X1/2 PRH SS	3
23	0400066	SCREW, 1/4-20X3/4 HHC GR5	8
24	0400109	SCREW, 5/16-18X1 HHC GR5	15
25	0400111	SCREW, 5/16-18X2 HHC GR5	2
26	0400452	LKWASHER, 1/4	8
27	0400463	WASHER, 5/16	15
28	0400464	LKWASHER, 5/16	15
29	0400776	NUT, 5/16-18 JAM LOK	2
30	0402094	NUT, HEX 6-32 SS	3
31	07017406	PLATE, DISPLAY PANEL, KB TRANS	1
32	0712380	D-RING	2
33	0715796	PLATE, COVER SPADES 4024	2
34	08011008	FRT COVER, CONT STAT, KB TRANS	1
35	08011010	TOP COVER, CONT STAT, KB TRANS	1
36	09001440	50K DRAG WINCH ASSY	1
37	09004266	U/L BOOM ASSEMBLY (SHORT)	1
38	09010429	SUBFRAME ASSY - KNEEBOOM TRANS	1
39	09012729	VALVE ASSEMBLY, 24V, KB TRANS	1
40	0907021	REAR SPADE ASSY	1
41	0911957	KIT, D-RING PARTS	2
42	0912063	XBAR ASY-XHD 5X5 CENT W/ LWRDR	1
43	AWS-6821-A	HOSE ASSY-PRESSURE	2
44	BA0259	PIN - "D" RING	2

Section I - PARTS

09010428, BUA KNEEBOOM TRANSPORTER (cont'd)



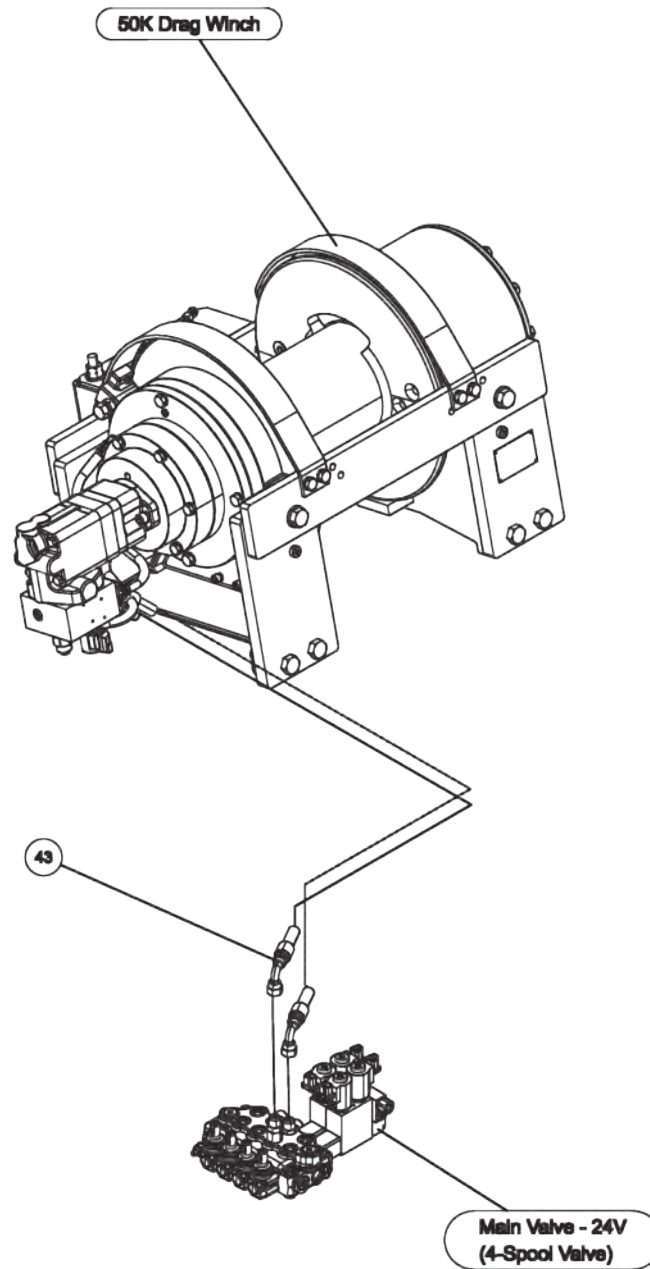
Section I - PARTS

09010428, BUA KNEEBOOM TRANSPORTER (cont'd)

ITEM	PART NUMBER	DESCRIPTION	QTY
1	0300113	GREASE FITTING, 1/4-28 STR	1
2	0300229	FITTING, ELB 8MJ-8MP90	1
3	03003426	HOSE, HYD 45" LG	4
4	03003940	HOSE, HYD	2
5	0300657	HOSE HYD, 46" LG	1
6	0301473	HOSE HYD, 18" LG	1
7	03017681	HOSE, HYD 6FJX 6M4K 6FJX90S	4
8	03017682	HOSE, HYD 6FJX 6M4K 6FJX90S	2
9	0301995	FITTING, ADAPTER STR	1
10	0302065	FITTING, 6-FJ CAP	1
11	0302205	GAUGE, FLUSH MNTG-6000 PSI	1
12	0302581	HOSE HYD, 36"	2
13	0302727	FITTING, HYD CONN	1
14	0303748	HOSE HYD, 136	4
15	0306537	EMERGENCY SWITCH (RAMSEY)	1
16	0306651	MCGILL SWITCH 24V SSW08520283	4
17	0307345	CONNECTOR, 16MJ-12MJ	2
18	0307424	FITTING, TEE 16MJ-16MJ-16FJX	1
19	0310148	BOOT, CONTROL HANDLE	6
20	0310432	FITTING - ADAPTER 16MJ-20MB	1
21	0311439	HOSE ASSY 156" LG 6FJX-6FJX90	1
22	0400005	SCREW, 6-32X1/2 PRH SS	3
23	0400066	SCREW, 1/4-20X3/4 HHC GR5	8
24	0400109	SCREW, 5/16-18X1 HHC GR5	15
25	0400111	SCREW, 5/16-18X2 HHC GR5	2
26	0400452	LKWASHER, 1/4	8
27	0400463	WASHER, 5/16	15
28	0400464	LKWASHER, 5/16	15
29	0400776	NUT, 5/16-18 JAM LOK	2
30	0402094	NUT, HEX 6-32 SS	3
31	07017406	PLATE, DISPLAY PANEL, KB TRANS	1
32	0712380	D-RING	2
33	0715796	PLATE, COVER SPADES 4024	2
34	08011008	FRT COVER, CONT STAT, KB TRANS	1
35	08011010	TOP COVER, CONT STAT, KB TRANS	1
36	09001440	50K DRAG WINCH ASSY	1
37	09004266	U/L BOOM ASSEMBLY (SHORT)	1
38	09010429	SUBFRAME ASSY - KNEEBOOM TRANS	1
39	09012729	VALVE ASSEMBLY, 24V, KB TRANS	1
40	0907021	REAR SPADE ASSY	1
41	0911957	KIT, D-RING PARTS	2
42	0912063	XBAR ASY-XHD 5X5 CENT W/ LWRDR	1
43	AWS-6821-A	HOSE ASSY-PRESSURE	2
44	BA0259	PIN - "D" RING	2

Section I - PARTS

09010428, BUA KNEEBOOM TRANSPORTER (cont'd)



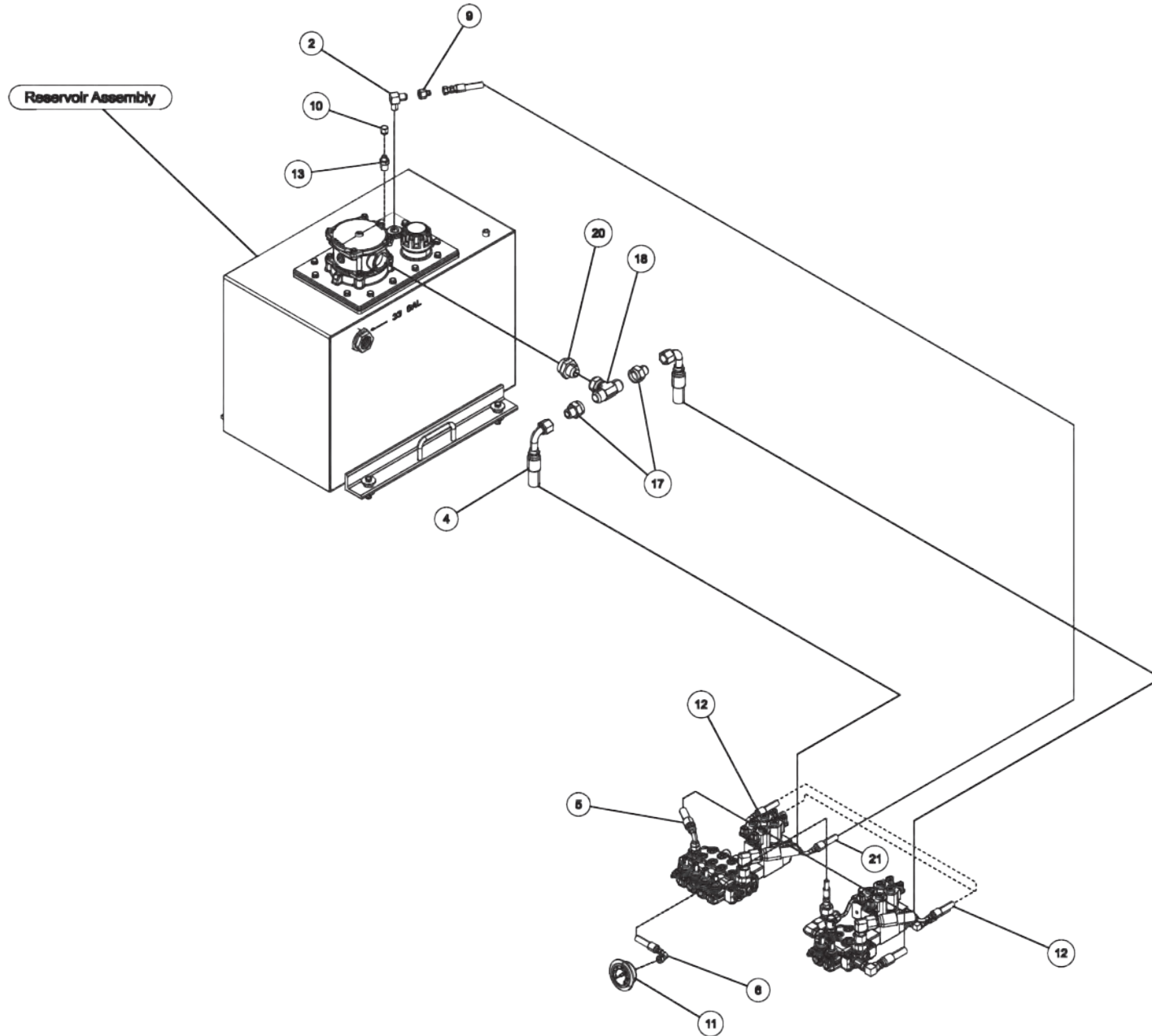
Section I - PARTS

09010428, BUA KNEEBOOM TRANSPORTER (cont'd)

ITEM	PART NUMBER	DESCRIPTION	QTY
1	0300113	GREASE FITTING, 1/4-28 STR	1
2	0300229	FITTING, ELB 8MJ-8MP90	1
3	03003426	HOSE, HYD 45" LG	4
4	03003940	HOSE, HYD	2
5	0300657	HOSE HYD, 46" LG	1
6	0301473	HOSE HYD, 18" LG	1
7	03017681	HOSE, HYD 6FJX 6M4K 6FJX90S	4
8	03017682	HOSE, HYD 6FJX 6M4K 6FJX90S	2
9	0301995	FITTING, ADAPTER STR	1
10	0302065	FITTING, 6-FJ CAP	1
11	0302205	GAUGE, FLUSH MNTG-6000 PSI	1
12	0302581	HOSE HYD, 36"	2
13	0302727	FITTING, HYD CONN	1
14	0303748	HOSE HYD, 136	4
15	0306537	EMERGENCY SWITCH (RAMSEY)	1
16	0306651	MCGILL SWITCH 24V SSW08520283	4
17	0307345	CONNECTOR, 16MJ-12MJ	2
18	0307424	FITTING, TEE 16MJ-16MJ-16FJX	1
19	0310148	BOOT, CONTROL HANDLE	6
20	0310432	FITTING - ADAPTER 16MJ-20MB	1
21	0311439	HOSE ASSY 156" LG 6FJX-6FJX90	1
22	0400005	SCREW, 6-32X1/2 PRH SS	3
23	0400066	SCREW, 1/4-20X3/4 HHC GR5	8
24	0400109	SCREW, 5/16-18X1 HHC GR5	15
25	0400111	SCREW, 5/16-18X2 HHC GR5	2
26	0400452	LKWASHER, 1/4	8
27	0400463	WASHER, 5/16	15
28	0400464	LKWASHER, 5/16	15
29	0400776	NUT, 5/16-18 JAM LOK	2
30	0402094	NUT, HEX 6-32 SS	3
31	07017406	PLATE, DISPLAY PANEL, KB TRANS	1
32	0712380	D-RING	2
33	0715796	PLATE, COVER SPADES 4024	2
34	08011008	FRT COVER, CONT STAT, KB TRANS	1
35	08011010	TOP COVER, CONT STAT, KB TRANS	1
36	09001440	50K DRAG WINCH ASSY	1
37	09004266	U/L BOOM ASSEMBLY (SHORT)	1
38	09010429	SUBFRAME ASSY - KNEEBOOM TRANS	1
39	09012729	VALVE ASSEMBLY, 24V, KB TRANS	1
40	0907021	REAR SPADE ASSY	1
41	0911957	KIT, D-RING PARTS	2
42	0912063	XBAR ASY-XHD 5X5 CENT W/ LWRDR	1
43	AWS-6821-A	HOSE ASSY-PRESSURE	2
44	BA0259	PIN - "D" RING	2

Section I - PARTS

09010428, BUA KNEEBOOM TRANSPORTER (cont'd)



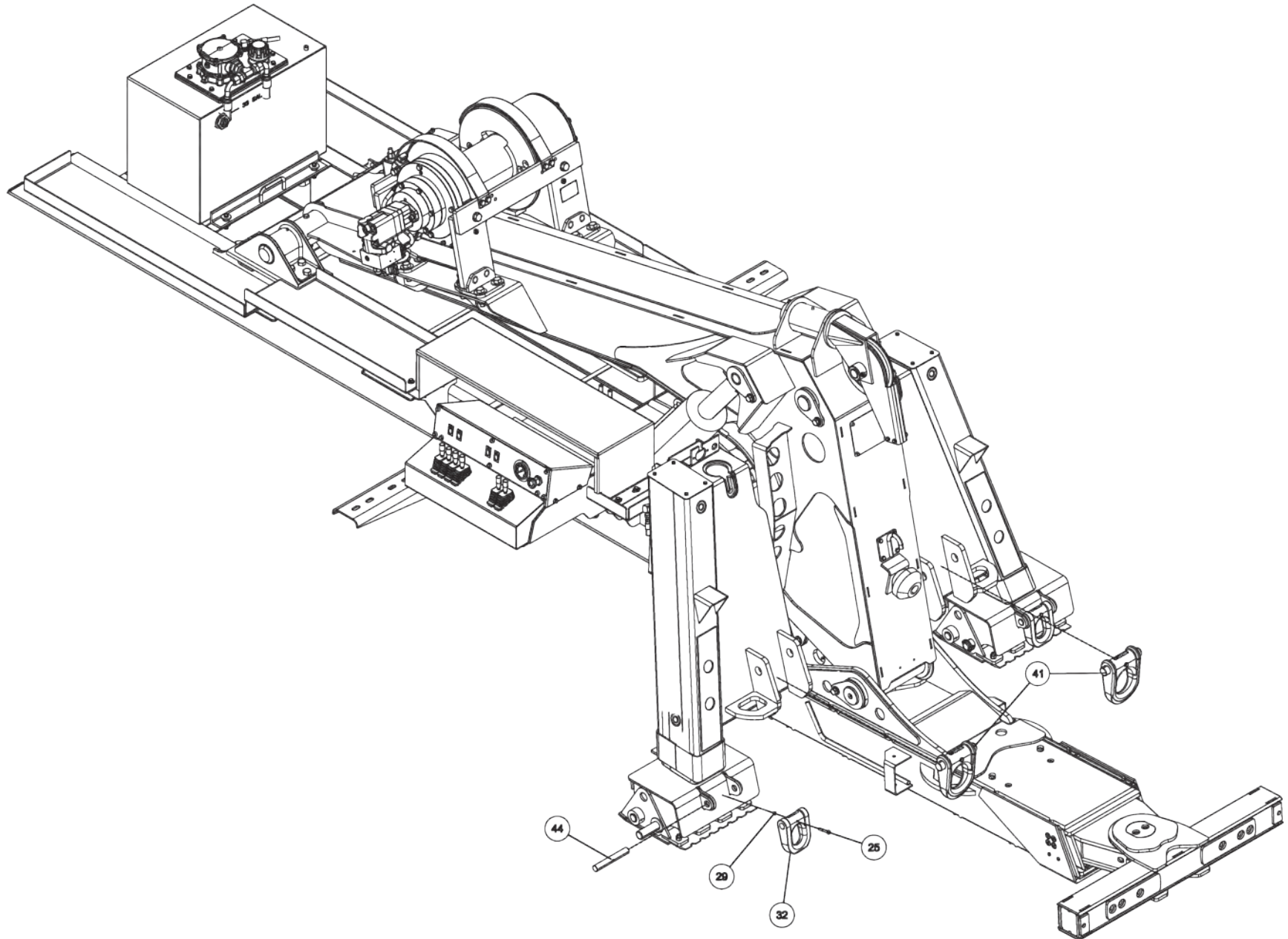
Section I - PARTS

09010428, BUA KNEEBOOM TRANSPORTER (cont'd)

ITEM	PART NUMBER	DESCRIPTION	QTY
1	0300113	GREASE FITTING, 1/4-28 STR	1
2	0300229	FITTING, ELB 8MJ-8MP90	1
3	03003426	HOSE, HYD 45" LG	4
4	03003940	HOSE, HYD	2
5	0300657	HOSE HYD, 46" LG	1
6	0301473	HOSE HYD, 18" LG	1
7	03017681	HOSE, HYD 6FJX 6M4K 6FJX90S	4
8	03017682	HOSE, HYD 6FJX 6M4K 6FJX90S	2
9	0301995	FITTING, ADAPTER STR	1
10	0302065	FITTING, 6-FJ CAP	1
11	0302205	GAUGE, FLUSH MNTG-6000 PSI	1
12	0302581	HOSE HYD, 36"	2
13	0302727	FITTING, HYD CONN	1
14	0303748	HOSE HYD, 136	4
15	0306537	EMERGENCY SWITCH (RAMSEY)	1
16	0306651	MCGILL SWITCH 24V SSW08520283	4
17	0307345	CONNECTOR, 16MJ-12MJ	2
18	0307424	FITTING, TEE 16MJ-16MJ-16FJX	1
19	0310148	BOOT, CONTROL HANDLE	6
20	0310432	FITTING - ADAPTER 16MJ-20MB	1
21	0311439	HOSE ASSY 156" LG 6FJX-6FJX90	1
22	0400005	SCREW, 6-32X1/2 PRH SS	3
23	0400066	SCREW, 1/4-20X3/4 HHC GR5	8
24	0400109	SCREW, 5/16-18X1 HHC GR5	15
25	0400111	SCREW, 5/16-18X2 HHC GR5	2
26	0400452	LKWASHER, 1/4	8
27	0400463	WASHER, 5/16	15
28	0400464	LKWASHER, 5/16	15
29	0400776	NUT, 5/16-18 JAM LOK	2
30	0402094	NUT, HEX 6-32 SS	3
31	07017406	PLATE, DISPLAY PANEL, KB TRANS	1
32	0712380	D-RING	2
33	0715796	PLATE, COVER SPADES 4024	2
34	08011008	FRT COVER, CONT STAT, KB TRANS	1
35	08011010	TOP COVER, CONT STAT, KB TRANS	1
36	09001440	50K DRAG WINCH ASSY	1
37	09004266	U/L BOOM ASSEMBLY (SHORT)	1
38	09010429	SUBFRAME ASSY - KNEEBOOM TRANS	1
39	09012729	VALVE ASSEMBLY, 24V, KB TRANS	1
40	0907021	REAR SPADE ASSY	1
41	0911957	KIT, D-RING PARTS	2
42	0912063	XBAR ASY-XHD 5X5 CENT W/ LWRDR	1
43	AWS-6821-A	HOSE ASSY-PRESSURE	2
44	BA0259	PIN - "D" RING	2

Section I - PARTS

09010428, BUA KNEEBOOM TRANSPORTER (cont'd)



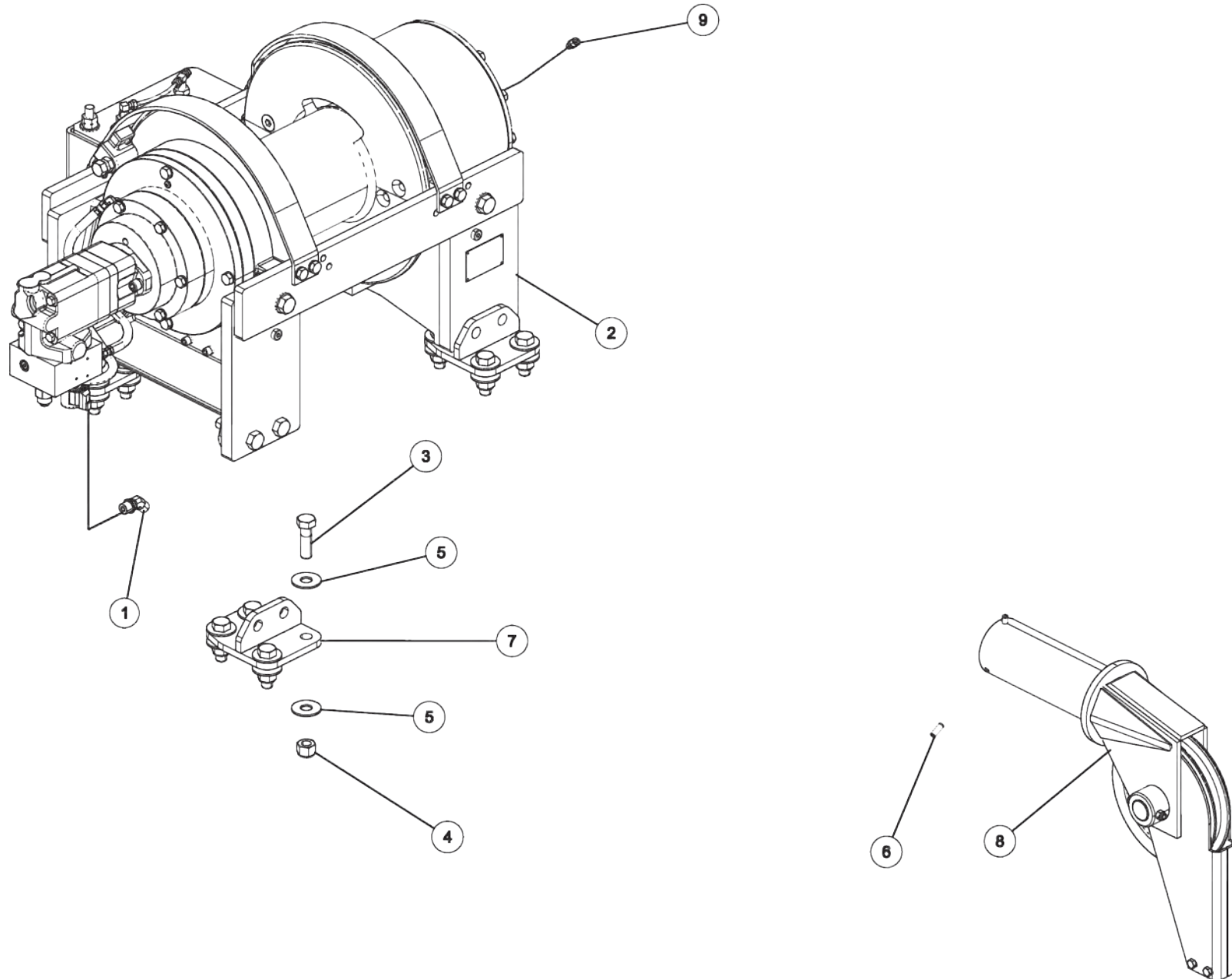
Section I - PARTS

09010428, BUA KNEEBOOM TRANSPORTER (cont'd)

ITEM	PART NUMBER	DESCRIPTION	QTY
1	0300113	GREASE FITTING, 1/4-28 STR	1
2	0300229	FITTING, ELB 8MJ-8MP90	1
3	03003426	HOSE, HYD 45" LG	4
4	03003940	HOSE, HYD	2
5	0300657	HOSE HYD, 46" LG	1
6	0301473	HOSE HYD, 18" LG	1
7	03017681	HOSE, HYD 6FJX 6M4K 6FJX90S	4
8	03017682	HOSE, HYD 6FJX 6M4K 6FJX90S	2
9	0301995	FITTING, ADAPTER STR	1
10	0302065	FITTING, 6-FJ CAP	1
11	0302205	GAUGE, FLUSH MNTG-6000 PSI	1
12	0302581	HOSE HYD, 36"	2
13	0302727	FITTING, HYD CONN	1
14	0303748	HOSE HYD, 136	4
15	0306537	EMERGENCY SWITCH (RAMSEY)	1
16	0306651	MCGILL SWITCH 24V SSW08520283	4
17	0307345	CONNECTOR, 16MJ-12MJ	2
18	0307424	FITTING, TEE 16MJ-16MJ-16FJX	1
19	0310148	BOOT, CONTROL HANDLE	6
20	0310432	FITTING - ADAPTER 16MJ-20MB	1
21	0311439	HOSE ASSY 156" LG 6FJX-6FJX90	1
22	0400005	SCREW, 6-32X1/2 PRH SS	3
23	0400066	SCREW, 1/4-20X3/4 HHC GR5	8
24	0400109	SCREW, 5/16-18X1 HHC GR5	15
25	0400111	SCREW, 5/16-18X2 HHC GR5	2
26	0400452	LKWASHER, 1/4	8
27	0400463	WASHER, 5/16	15
28	0400464	LKWASHER, 5/16	15
29	0400776	NUT, 5/16-18 JAM LOK	2
30	0402094	NUT, HEX 6-32 SS	3
31	07017406	PLATE, DISPLAY PANEL, KB TRANS	1
32	0712380	D-RING	2
33	0715796	PLATE, COVER SPADES 4024	2
34	08011008	FRT COVER, CONT STAT, KB TRANS	1
35	08011010	TOP COVER, CONT STAT, KB TRANS	1
36	09001440	50K DRAG WINCH ASSY	1
37	09004266	U/L BOOM ASSEMBLY (SHORT)	1
38	09010429	SUBFRAME ASSY - KNEEBOOM TRANS	1
39	09012729	VALVE ASSEMBLY, 24V, KB TRANS	1
40	0907021	REAR SPADE ASSY	1
41	0911957	KIT, D-RING PARTS	2
42	0912063	XBAR ASY-XHD 5X5 CENT W/ LWRDR	1
43	AWS-6821-A	HOSE ASSY-PRESSURE	2
44	BA0259	PIN - "D" RING	2

Section I - PARTS

09001440, 50K DRAG WINCH ASSEMBLY



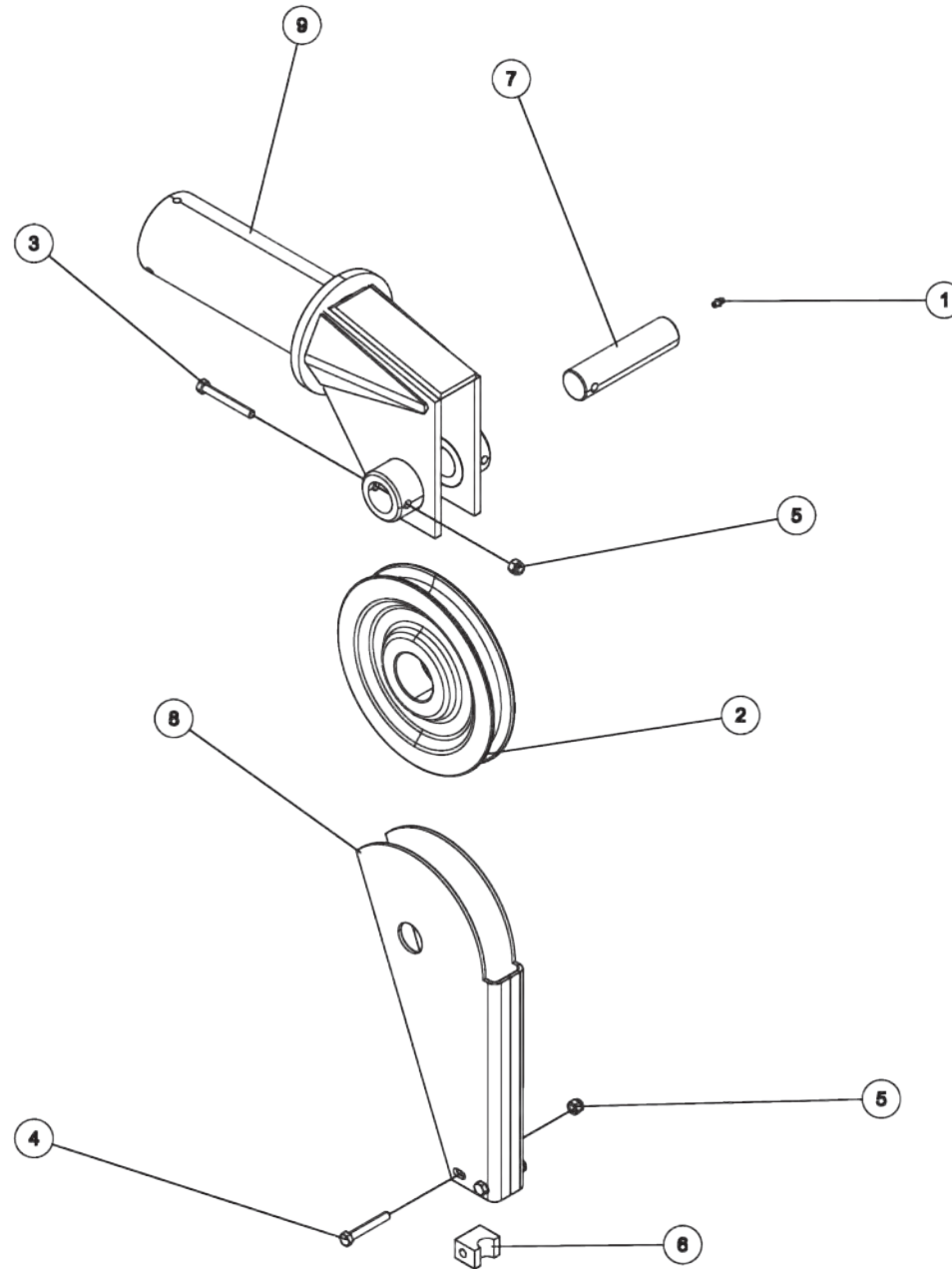
Section I - PARTS

09001440, 50K DRAG WINCH ASSEMBLY (cont'd)

ITEM	PART NUMBER	DESCRIPTION	QTY
1	0302321	FITTING, ELB 45 DEG	2
2	0311878	WINCH 50K SHORT DRUM W TENSI	1
3	0400288	SCREW, 3/4-10X2-1/2 HHC GR8	16
4	0400431	NUT, 3/4-10 LOK GR8	16
5	0400489	WASHER, 3/4 SAE GR8	32
6	0400554	PIN, 3/8X1 SPR	3
7	0807965	WINCH MTG BRACKET	4
8	0906532	SWIVEL - BOOM ASSEMBLY	1
9	9010520	FITTING-ELBOW 1/4T-1/4NPT	1

Section I - PARTS

0906532, BOOM SWIVEL ASSEMBLY



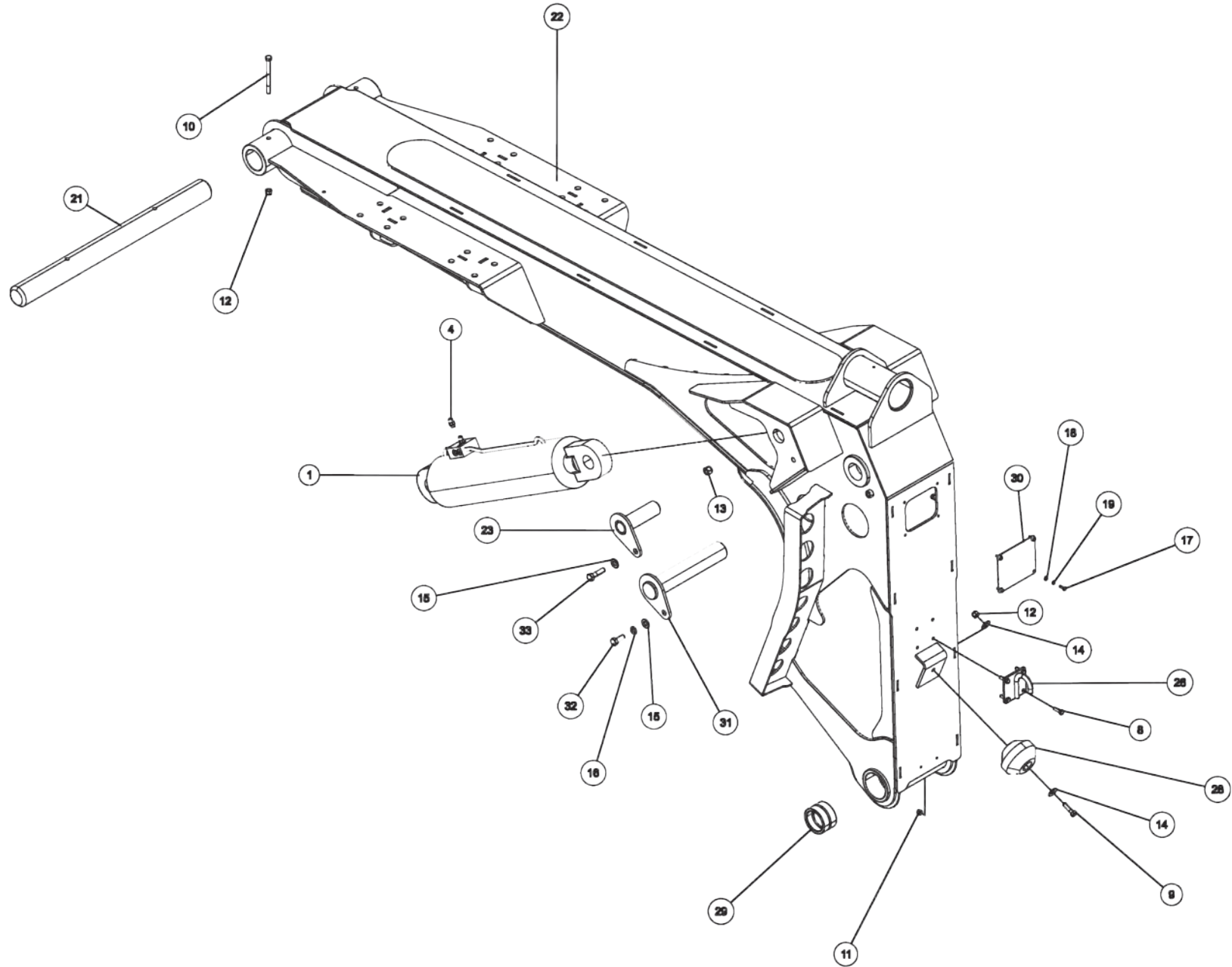
Section I - PARTS

0906532, BOOM SWIVEL ASSEMBLY (cont'd)

ITEM	PART NUMBER	DESCRIPTION	QTY
1	0300113	GREASE FITTING, 1/4-28 STR	1
2	0303441	SHEAVE-10" DIA X 1.5 BORE	1
3	0400133	SCREW, 3/8-16X3 HHC GR5	1
4	0400150	SCREW, 3/8-16X2-1/2 HHC GR5	2
5	0400392	NUT, 3/8-16 LOK	3
6	0700801	GUIDE, BTM CABLE	2
7	0716134	SHEAVE SHAFT	1
8	0803313	GUIDE-CABLE WELDMENT	1
9	0804449	BOOM END SWIVEL WLDT-INTEGRATD	1

Section I - PARTS

09004266, U/L BOOM ASSEMBLY (SHORT)



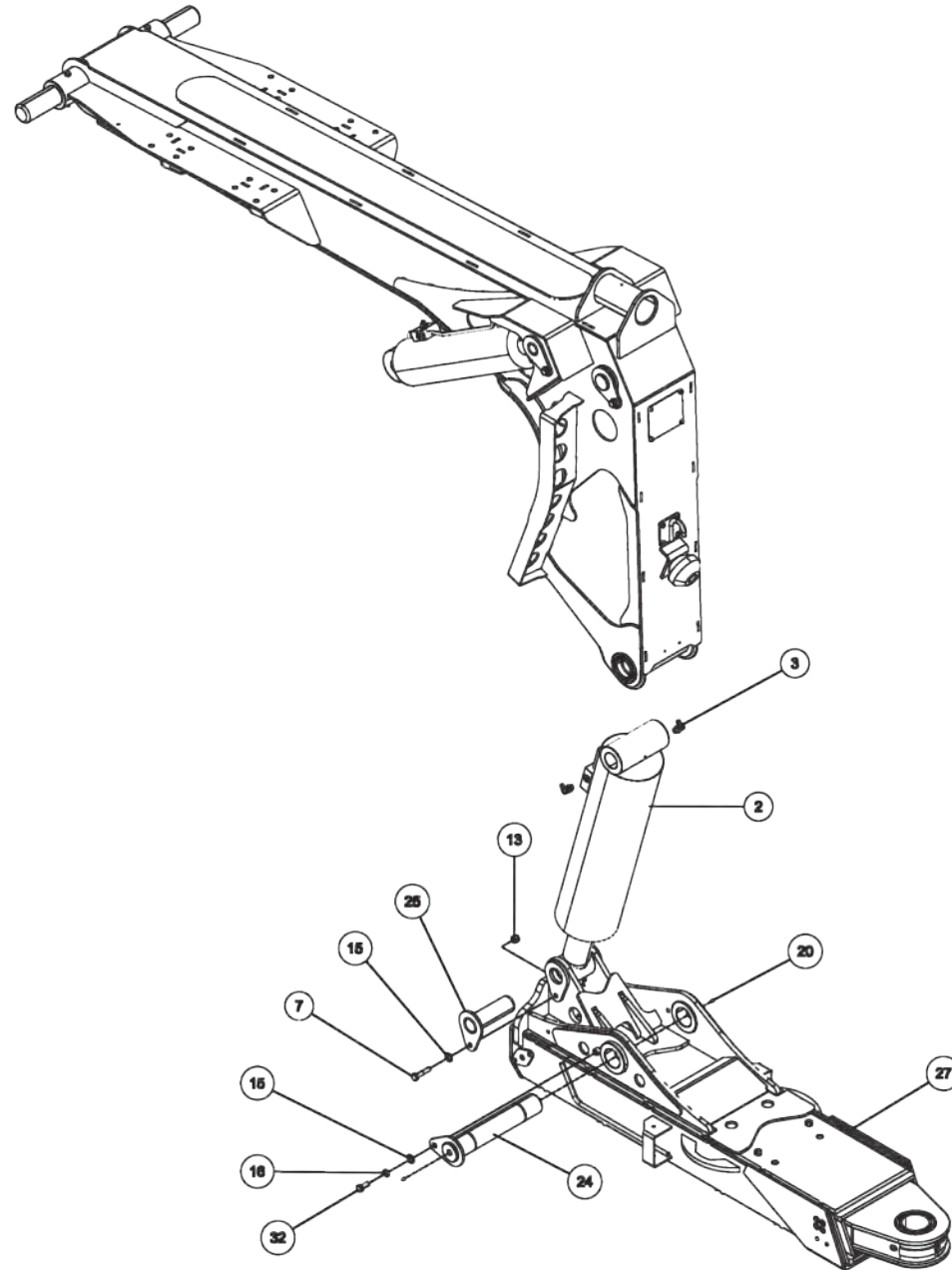
Section I - PARTS

09004266, U/L BOOM ASSEMBLY (SHORT) (cont'd)

ITEM	PART NUMBER	DESCRIPTION	QTY
1	03001432	CYLINDER, U/L LIFT	2
2	03001433	CYLINDER, U/L TILT	1
3	0301470	FITTING, 90ELB 6MJ-8MB90	2
4	0301522	ADAPTER, 6MJ-6MB	4
5	0310480	FITTING - BULKHEAD -6 UNION	4
6	0311418	HOSE, 90" 3/8 2 X STRAIGHT	1
7	04000401	SCREW, 5/8-11X2-3/4 HHC GR8	1
8	0400122	SCREW, 3/8-16X1-1/4 HHC GR5	4
9	0400211	SCREW, 1/2-13X1-3/4 HHC GR5	1
10	0400220	SCREW, 1/2-13X5-1/2 HHC GR5	2
11	0400392	NUT, 3/8-16 LOK	4
12	0400408	NUT, 1/2-13 LOK	3
13	0400426	NUT, 5/8-11 LOK GR8	3
14	0400492	WASHER, 1/2	2
15	0400503	WASHER, 5/8 GR8	5
16	0400508	LKWASHER, 5/8	2
17	0402020	SCREW, 1/4-20X3/4 HHC SS	4
18	0402110	WASHER, 1/4 SS	4
19	0402111	LKWASHER, 1/4 SS	4
20	0410410	GREASE FITTING, M6-1.0 STR SS	2
21	0715953	PIN, BOOM PIVOT	1
22	08001034	U/L BOOM WELDMENT	1
23	08001289	U/L LIFT CYLINDER PIN WELDMENT	2
24	08001290	U/L PIVOT PIN WELDMENT	1
25	08002548	PIN WELDMENT, LOWER TILT CYL	1
26	0810517	HOOK PLATE WLDMT	1
27	09003929	U/L HORIZONTAL BOOM ASSY	1
28	26113028	TIMBREN SPRING - A103B-75	1
29	26687448	BUSHING 3 ID X 3 75 OD X 2 31	2
30	26687481	PLATE, COVER - TILT CYL ACCESS	1
31	26688067	PIN WELD'T - UPPER TILT CYL	1
32	9043950	5/8 NC X 1 1/2 HHCS PL GR 8	2
33	9044409	SCREW, 5/8-11X2-1/4 HHC GR8 YZ	2

Section I - PARTS

09004266, U/L BOOM ASSEMBLY (SHORT) (cont'd)



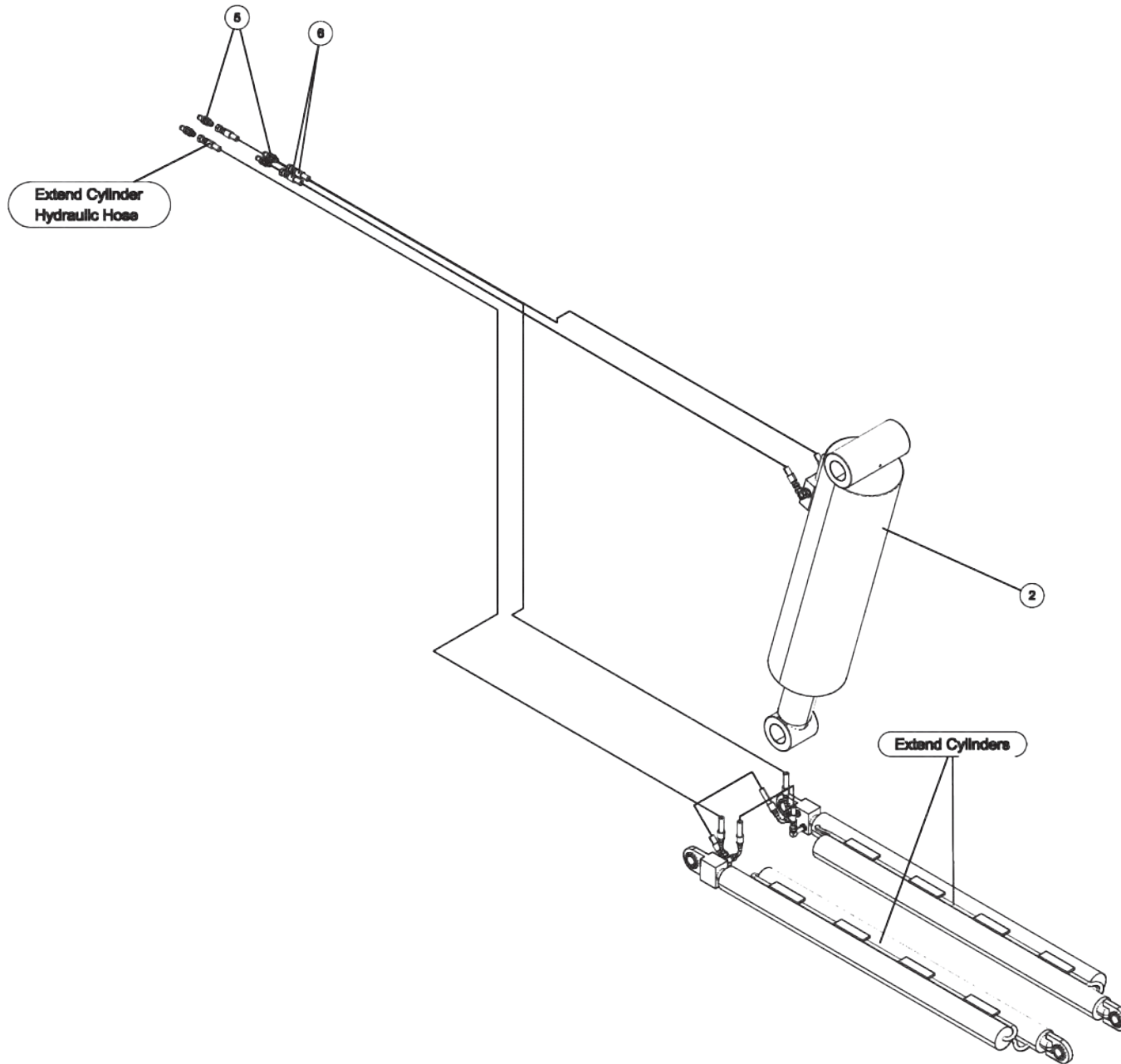
Section I - PARTS

09004266, U/L BOOM ASSEMBLY (SHORT) (cont'd)

ITEM	PART NUMBER	DESCRIPTION	QTY
1	03001432	CYLINDER, U/L LIFT	2
2	03001433	CYLINDER, U/L TILT	1
3	0301470	FITTING, 90ELB 6MJ-8MB90	2
4	0301522	ADAPTER, 6MJ-6MB	4
5	0310480	FITTING - BULKHEAD -6 UNION	4
6	0311418	HOSE, 90" 3/8 2 X STRAIGHT	1
7	04000401	SCREW, 5/8-11X2-3/4 HHC GR8	1
8	0400122	SCREW, 3/8-16X1-1/4 HHC GR5	4
9	0400211	SCREW, 1/2-13X1-3/4 HHC GR5	1
10	0400220	SCREW, 1/2-13X5-1/2 HHC GR5	2
11	0400392	NUT, 3/8-16 LOK	4
12	0400408	NUT, 1/2-13 LOK	3
13	0400426	NUT, 5/8-11 LOK GR8	3
14	0400492	WASHER, 1/2	2
15	0400503	WASHER, 5/8 GR8	5
16	0400508	LKWASHER, 5/8	2
17	0402020	SCREW, 1/4-20X3/4 HHC SS	4
18	0402110	WASHER, 1/4 SS	4
19	0402111	LKWASHER, 1/4 SS	4
20	0410410	GREASE FITTING, M6-1.0 STR SS	2
21	0715953	PIN, BOOM PIVOT	1
22	08001034	U/L BOOM WELDMENT	1
23	08001289	U/L LIFT CYLINDER PIN WELDMENT	2
24	08001290	U/L PIVOT PIN WELDMENT	1
25	08002548	PIN WELDMENT, LOWER TILT CYL	1
26	0810517	HOOK PLATE WLDMT	1
27	09003929	U/L HORIZONTAL BOOM ASSY	1
28	26113028	TIMBREN SPRING - A103B-75	1
29	26687448	BUSHING 3 ID X 3 75 OD X 2 31	2
30	26687481	PLATE, COVER - TILT CYL ACCESS	1
31	26688067	PIN WELD'T - UPPER TILT CYL	1
32	9043950	5/8 NC X 1 1/2 HHCS PL GR 8	2
33	9044409	SCREW, 5/8-11X2-1/4 HHC GR8 YZ	2

Section I - PARTS

09004266, U/L BOOM ASSEMBLY (SHORT)



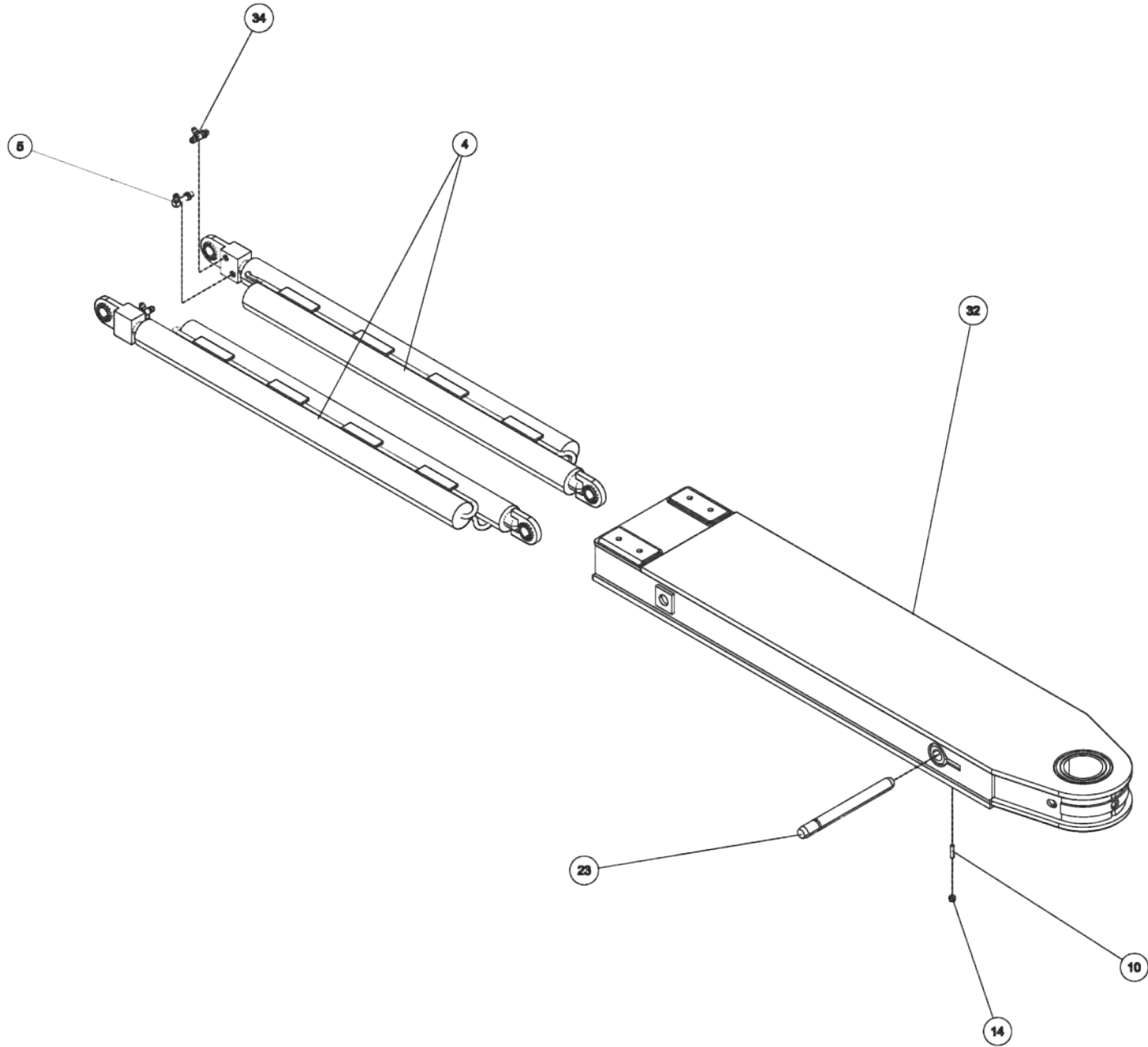
Section I - PARTS

09004266, U/L BOOM ASSEMBLY (SHORT) (cont'd)

ITEM	PART NUMBER	DESCRIPTION	QTY
1	03001432	CYLINDER, U/L LIFT	2
2	03001433	CYLINDER, U/L TILT	1
3	0301470	FITTING, 90ELB 6MJ-8MB90	2
4	0301522	ADAPTER, 6MJ-6MB	4
5	0310480	FITTING - BULKHEAD -6 UNION	4
6	0311418	HOSE, 90" 3/8 2 X STRAIGHT	1
7	04000401	SCREW, 5/8-11X2-3/4 HHC GR8	1
8	0400122	SCREW, 3/8-16X1-1/4 HHC GR5	4
9	0400211	SCREW, 1/2-13X1-3/4 HHC GR5	1
10	0400220	SCREW, 1/2-13X5-1/2 HHC GR5	2
11	0400392	NUT, 3/8-16 LOK	4
12	0400408	NUT, 1/2-13 LOK	3
13	0400426	NUT, 5/8-11 LOK GR8	3
14	0400492	WASHER, 1/2	2
15	0400503	WASHER, 5/8 GR8	5
16	0400508	LKWASHER, 5/8	2
17	0402020	SCREW, 1/4-20X3/4 HHC SS	4
18	0402110	WASHER, 1/4 SS	4
19	0402111	LKWASHER, 1/4 SS	4
20	0410410	GREASE FITTING, M6-1.0 STR SS	2
21	0715953	PIN, BOOM PIVOT	1
22	08001034	U/L BOOM WELDMENT	1
23	08001289	U/L LIFT CYLINDER PIN WELDMENT	2
24	08001290	U/L PIVOT PIN WELDMENT	1
25	08002548	PIN WELDMENT, LOWER TILT CYL	1
26	0810517	HOOK PLATE WLDMT	1
27	09003929	U/L HORIZONTAL BOOM ASSY	1
28	26113028	TIMBREN SPRING - A103B-75	1
29	26687448	BUSHING 3 ID X 3 75 OD X 2 31	2
30	26687481	PLATE, COVER - TILT CYL ACCESS	1
31	26688067	PIN WELD'T - UPPER TILT CYL	1
32	9043950	5/8 NC X 1 1/2 HHCS PL GR 8	2
33	9044409	SCREW, 5/8-11X2-1/4 HHC GR8 YZ	2

Section I - PARTS

09003929, U/L HORIZONTAL BOOM ASSEMBLY



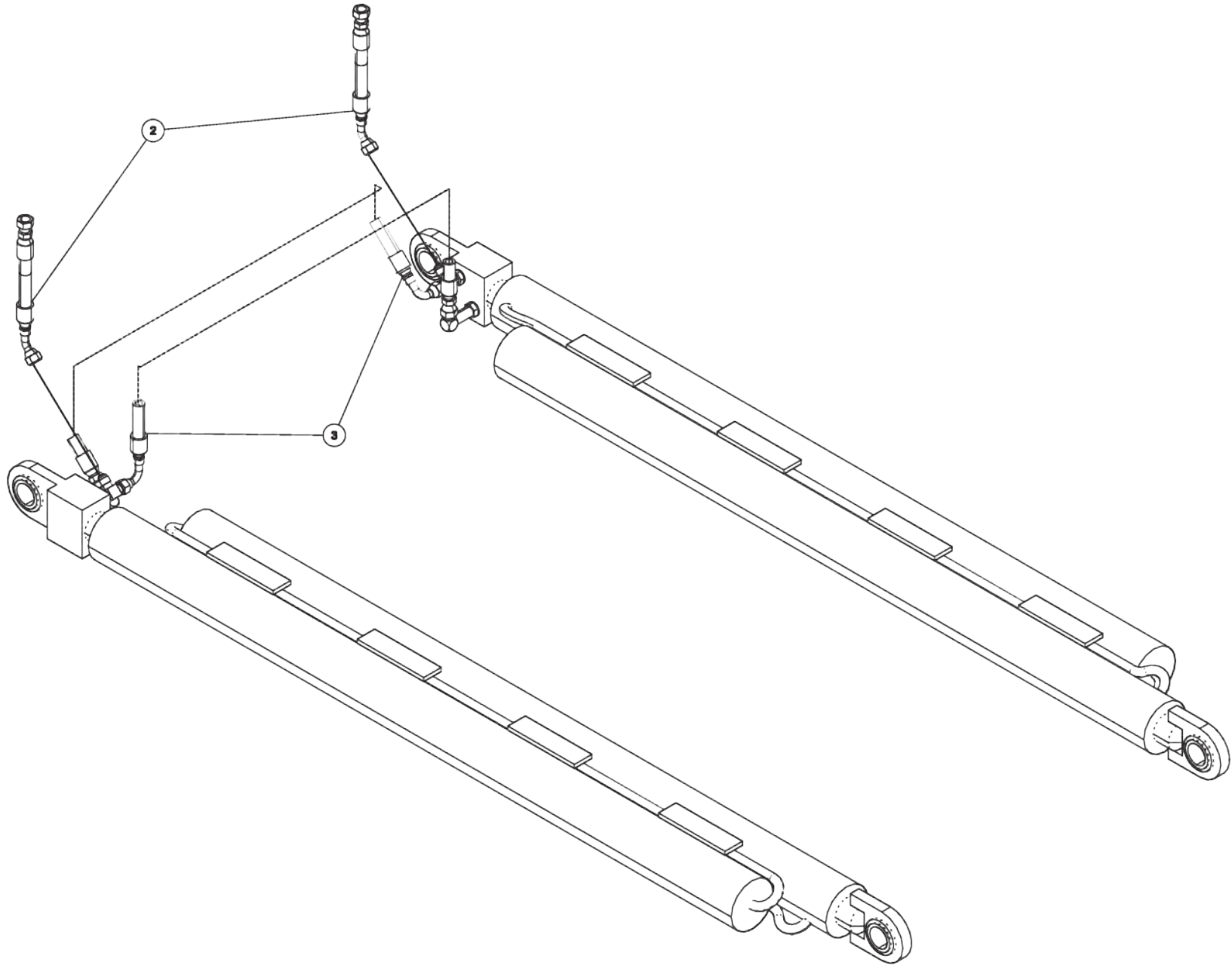
Section I - PARTS

09003929, U/L HORIZONTAL BOOM ASSEMBLY (cont'd)

ITEM	PART NUMBER	DESCRIPTION	QTY
1	0300113	GREASE FITTING, 1/4-28 STR	4
2	03003427	HOSE, HYD 192" LG	2
3	0303968	HOSE HYD, 10" LG	2
4	0307425	CYL, HYD - U/L BOOM EXTEND	2
5	0307460	FITTING, HYD 6MJ-6MB90LL	2
6	0311442	WEAR PAD (15/16 X 1 X 4)	2
7	0400079	SCREW, 1/4-20X3/4 FHS GR5	8
8	0400086	SCREW, 1/4-20X1-1/4 FHS	4
9	0400118	SCREW, 5/16-18X3/4 HHC GR5	3
10	0400139	SET SCREW, 3/8-16X1-1/2 SOC	1
11	0400249	SCREW, 5/8-11X1-1/4 SHC	2
12	0400344	SCREW, 1/2-13X3/4 FHS GR8	8
13	0400379	NUT, 5/16-18 SPR J	1
14	0400392	NUT, 3/8-16 LOK	1
15	0400463	WASHER, 5/16	3
16	0400464	LKWASHER, 5/16	3
17	0400594	SCREW, 1/4-20X5/8 FHS	4
18	0400749	SCREW, 1/2-13X1-1/4 FHS	18
19	0400990	SET SCREW, 1/2-13X1/2 SOC	4
20	07004402	ANGLE, HOSE COVER	1
21	07004403	PLATE, HOSE COVER	1
22	0717869	PLATE, SPACER (BOLT-ON)	4
23	0717871	PIN, CYLINDER ROD	1
24	0717872	PIN, EXTEND CYLINDER BASE	1
25	0717873	PIN, SHEAR OUTER BOOM	2
26	0718087	PLATE - PAD SPACER	2
27	0718096	BLOCK, STOP	2
28	0724419	PLATE-PLUG RETAINER	2
29	08001288	EXTEND CYL BRACKET WELDMENT	1
30	08003427	U/L OUTER BOOM WELDMENT	1
31	0810106	2ND STAGE BOOM WLMT	1
32	0908282	INNER BOOM ASSY	1
33	124004464	ALUM HEEL PLATE-14" SDU4&COACH	1
34	9012594	FITT, HYD RUN TEE, 6MJX6MBX6MJ	2
35	930150003	TOP PADS	6
36	GH246	SPLIT RUBBER GROMMET	2

Section I - PARTS

09003929, U/L HORIZONTAL BOOM ASSEMBLY (cont'd)



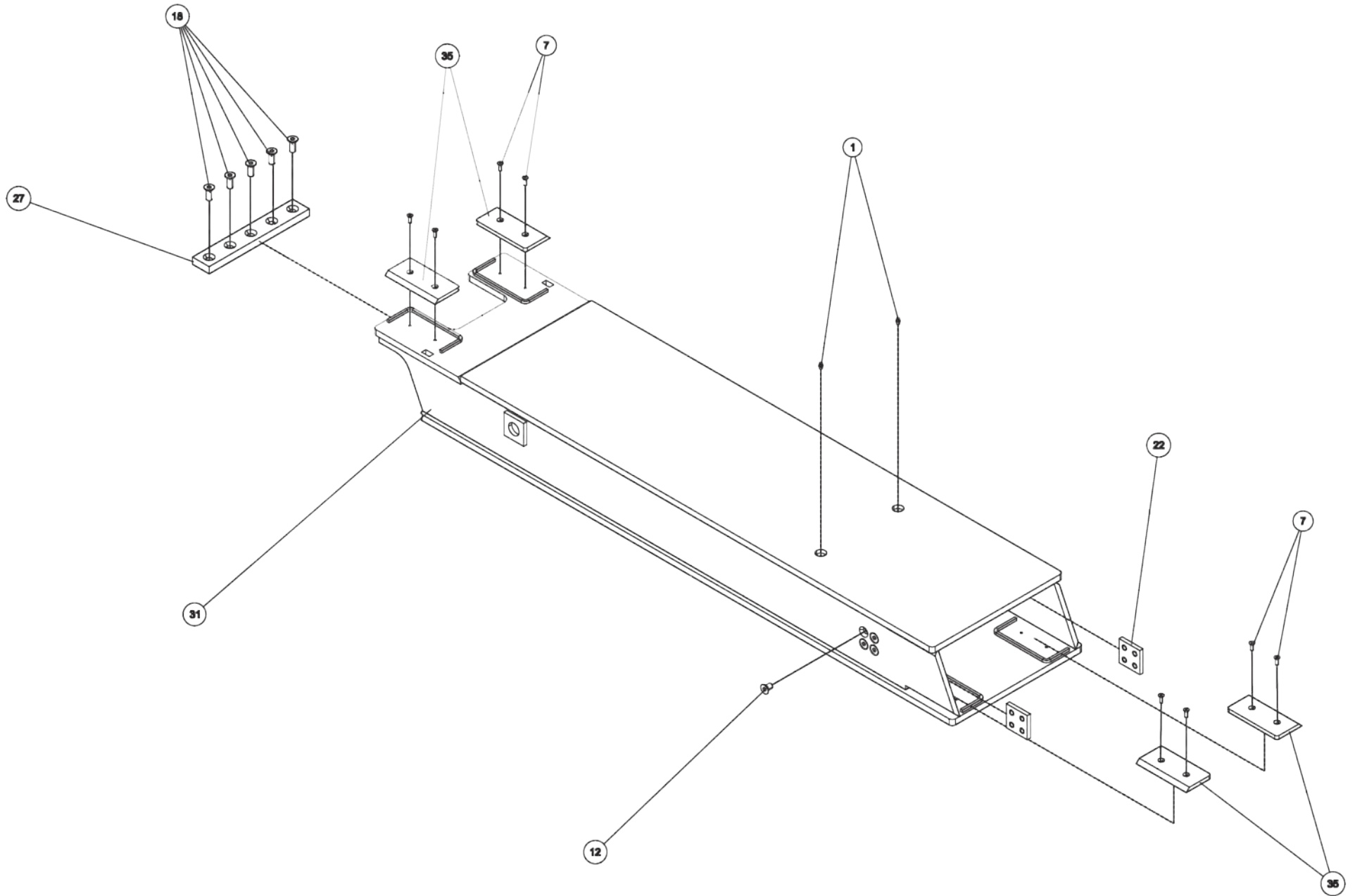
Section I - PARTS

09003929, U/L HORIZONTAL BOOM ASSEMBLY (cont'd)

ITEM	PART NUMBER	DESCRIPTION	QTY
1	0300113	GREASE FITTING, 1/4-28 STR	4
2	03003427	HOSE, HYD 192" LG	2
3	0303968	HOSE HYD, 10" LG	2
4	0307425	CYL, HYD - U/L BOOM EXTEND	2
5	0307460	FITTING, HYD 6MJ-6MB90LL	2
6	0311442	WEAR PAD (15/16 X 1 X 4)	2
7	0400079	SCREW, 1/4-20X3/4 FHS GR5	8
8	0400086	SCREW, 1/4-20X1-1/4 FHS	4
9	0400118	SCREW, 5/16-18X3/4 HHC GR5	3
10	0400139	SET SCREW, 3/8-16X1-1/2 SOC	1
11	0400249	SCREW, 5/8-11X1-1/4 SHC	2
12	0400344	SCREW, 1/2-13X3/4 FHS GR8	8
13	0400379	NUT, 5/16-18 SPR J	1
14	0400392	NUT, 3/8-16 LOK	1
15	0400463	WASHER, 5/16	3
16	0400464	LKWASHER, 5/16	3
17	0400594	SCREW, 1/4-20X5/8 FHS	4
18	0400749	SCREW, 1/2-13X1-1/4 FHS	18
19	0400990	SET SCREW, 1/2-13X1/2 SOC	4
20	07004402	ANGLE, HOSE COVER	1
21	07004403	PLATE, HOSE COVER	1
22	0717869	PLATE, SPACER (BOLT-ON)	4
23	0717871	PIN, CYLINDER ROD	1
24	0717872	PIN, EXTEND CYLINDER BASE	1
25	0717873	PIN, SHEAR OUTER BOOM	2
26	0718087	PLATE - PAD SPACER	2
27	0718096	BLOCK, STOP	2
28	0724419	PLATE-PLUG RETAINER	2
29	08001288	EXTEND CYL BRACKET WELDMENT	1
30	08003427	U/L OUTER BOOM WELDMENT	1
31	0810106	2ND STAGE BOOM WLMT	1
32	0908282	INNER BOOM ASSY	1
33	124004464	ALUM HEEL PLATE-14" SDU4&COACH	1
34	9012594	FITT, HYD RUN TEE, 6MJX6MBX6MJ	2
35	930150003	TOP PADS	6
36	GH246	SPLIT RUBBER GROMMET	2

Section I - PARTS

09003929, U/L HORIZONTAL BOOM ASSEMBLY (cont'd)



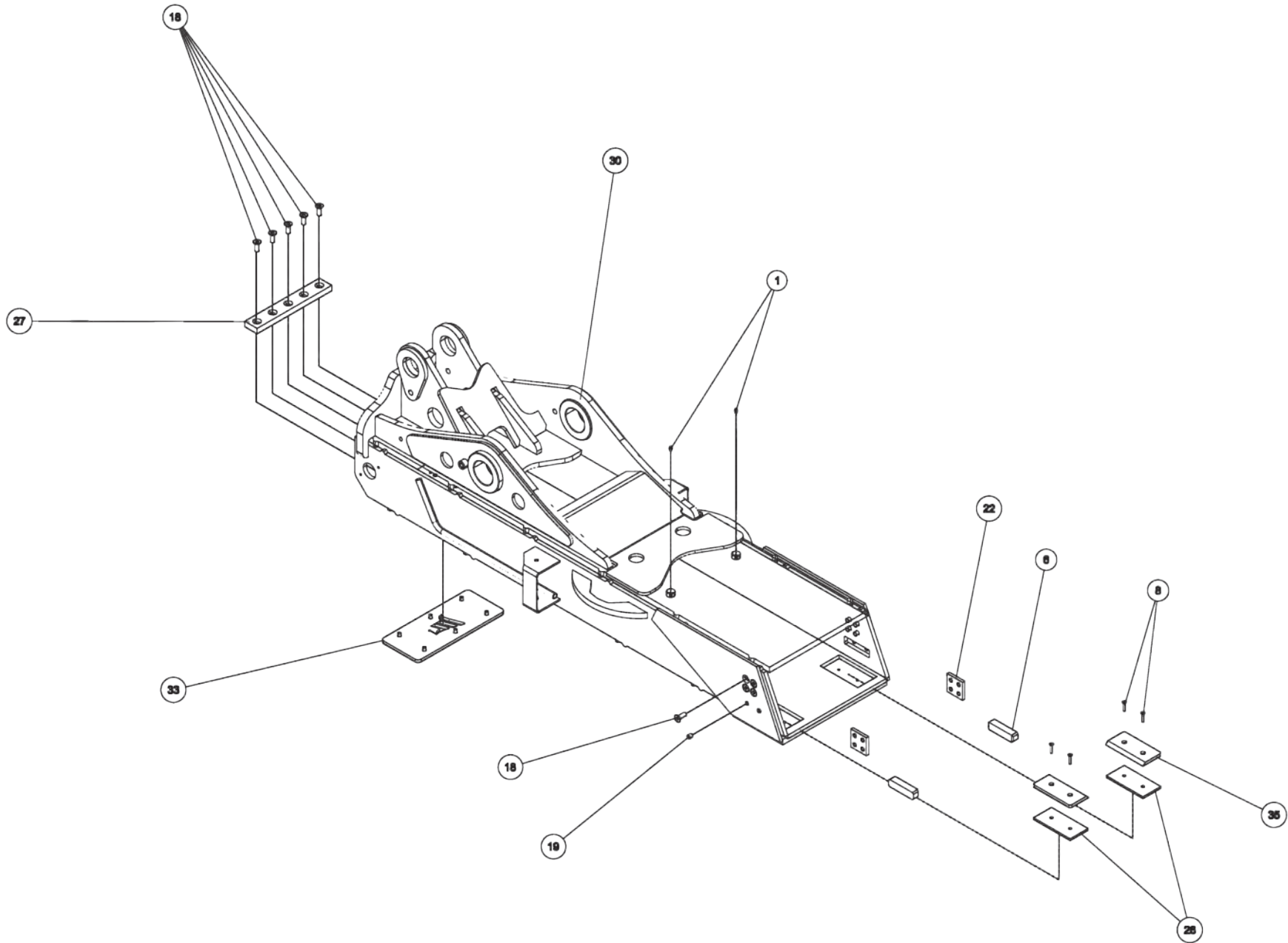
Section I - PARTS

09003929, U/L HORIZONTAL BOOM ASSEMBLY (cont'd)

ITEM	PART NUMBER	DESCRIPTION	QTY
1	0300113	GREASE FITTING, 1/4-28 STR	4
2	03003427	HOSE, HYD 192" LG	2
3	0303968	HOSE HYD, 10" LG	2
4	0307425	CYL, HYD - U/L BOOM EXTEND	2
5	0307460	FITTING, HYD 6MJ-6MB90LL	2
6	0311442	WEAR PAD (15/16 X 1 X 4)	2
7	0400079	SCREW, 1/4-20X3/4 FHS GR5	8
8	0400086	SCREW, 1/4-20X1-1/4 FHS	4
9	0400118	SCREW, 5/16-18X3/4 HHC GR5	3
10	0400139	SET SCREW, 3/8-16X1-1/2 SOC	1
11	0400249	SCREW, 5/8-11X1-1/4 SHC	2
12	0400344	SCREW, 1/2-13X3/4 FHS GR8	8
13	0400379	NUT, 5/16-18 SPR J	1
14	0400392	NUT, 3/8-16 LOK	1
15	0400463	WASHER, 5/16	3
16	0400464	LKWASHER, 5/16	3
17	0400594	SCREW, 1/4-20X5/8 FHS	4
18	0400749	SCREW, 1/2-13X1-1/4 FHS	18
19	0400990	SET SCREW, 1/2-13X1/2 SOC	4
20	07004402	ANGLE, HOSE COVER	1
21	07004403	PLATE, HOSE COVER	1
22	0717869	PLATE, SPACER (BOLT-ON)	4
23	0717871	PIN, CYLINDER ROD	1
24	0717872	PIN, EXTEND CYLINDER BASE	1
25	0717873	PIN, SHEAR OUTER BOOM	2
26	0718087	PLATE - PAD SPACER	2
27	0718096	BLOCK, STOP	2
28	0724419	PLATE-PLUG RETAINER	2
29	08001288	EXTEND CYL BRACKET WELDMENT	1
30	08003427	U/L OUTER BOOM WELDMENT	1
31	0810106	2ND STAGE BOOM WLMT	1
32	0908282	INNER BOOM ASSY	1
33	124004464	ALUM HEEL PLATE-14" SDU4&COACH	1
34	9012594	FITT, HYD RUN TEE, 6MJX6MBX6MJ	2
35	930150003	TOP PADS	6
36	GH246	SPLIT RUBBER GROMMET	2

Section I - PARTS

09003929, U/L HORIZONTAL BOOM ASSEMBLY (cont'd)



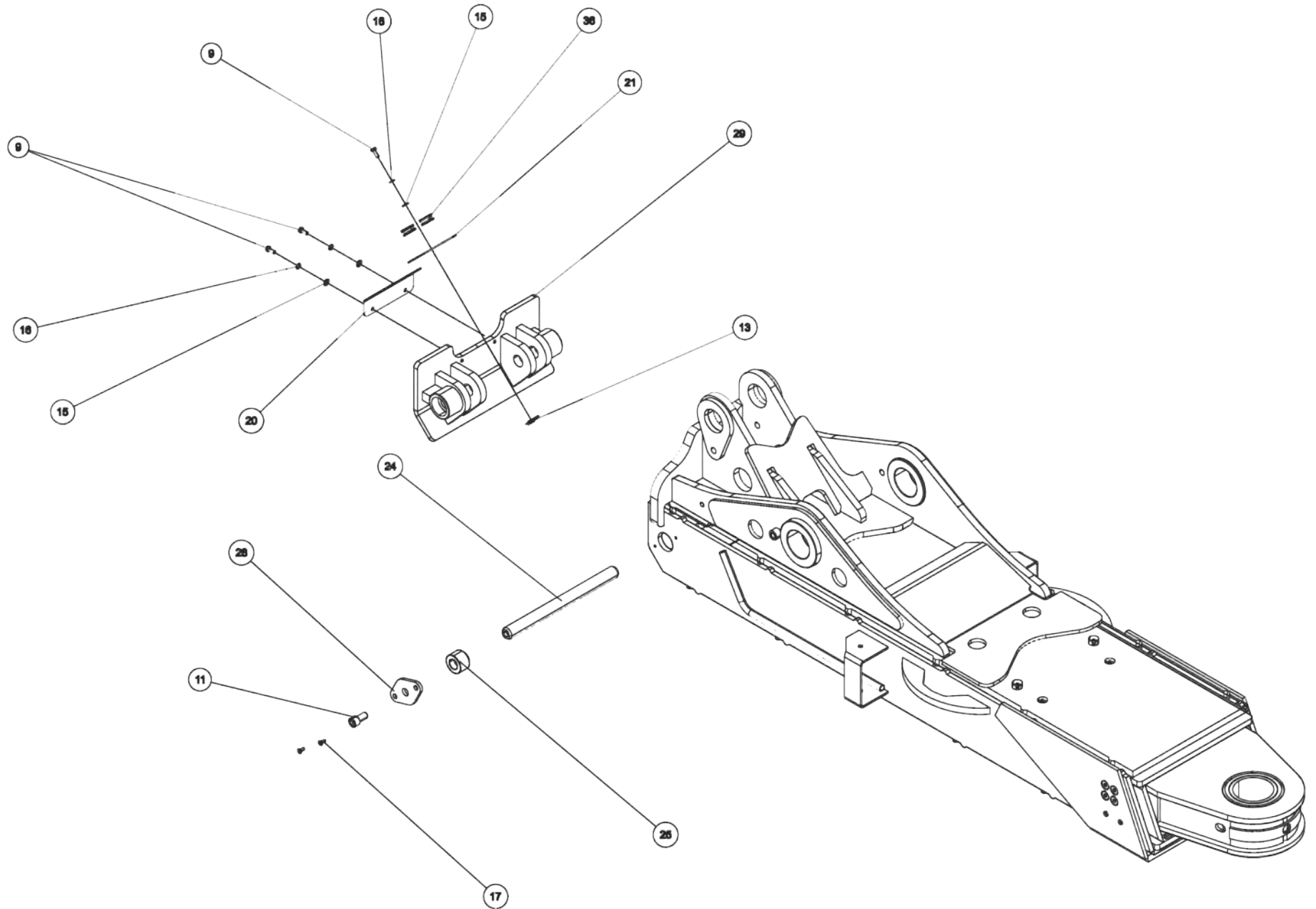
Section I - PARTS

09003929, U/L HORIZONTAL BOOM ASSEMBLY (cont'd)

ITEM	PART NUMBER	DESCRIPTION	QTY
1	0300113	GREASE FITTING, 1/4-28 STR	4
2	03003427	HOSE, HYD 192" LG	2
3	0303968	HOSE HYD, 10" LG	2
4	0307425	CYL, HYD - U/L BOOM EXTEND	2
5	0307460	FITTING, HYD 6MJ-6MB90LL	2
6	0311442	WEAR PAD (15/16 X 1 X 4)	2
7	0400079	SCREW, 1/4-20X3/4 FHS GR5	8
8	0400086	SCREW, 1/4-20X1-1/4 FHS	4
9	0400118	SCREW, 5/16-18X3/4 HHC GR5	3
10	0400139	SET SCREW, 3/8-16X1-1/2 SOC	1
11	0400249	SCREW, 5/8-11X1-1/4 SHC	2
12	0400344	SCREW, 1/2-13X3/4 FHS GR8	8
13	0400379	NUT, 5/16-18 SPR J	1
14	0400392	NUT, 3/8-16 LOK	1
15	0400463	WASHER, 5/16	3
16	0400464	LKWASHER, 5/16	3
17	0400594	SCREW, 1/4-20X5/8 FHS	4
18	0400749	SCREW, 1/2-13X1-1/4 FHS	18
19	0400990	SET SCREW, 1/2-13X1/2 SOC	4
20	07004402	ANGLE, HOSE COVER	1
21	07004403	PLATE, HOSE COVER	1
22	0717869	PLATE, SPACER (BOLT-ON)	4
23	0717871	PIN, CYLINDER ROD	1
24	0717872	PIN, EXTEND CYLINDER BASE	1
25	0717873	PIN, SHEAR OUTER BOOM	2
26	0718087	PLATE - PAD SPACER	2
27	0718096	BLOCK, STOP	2
28	0724419	PLATE-PLUG RETAINER	2
29	08001288	EXTEND CYL BRACKET WELDMENT	1
30	08003427	U/L OUTER BOOM WELDMENT	1
31	0810106	2ND STAGE BOOM WLMT	1
32	0908282	INNER BOOM ASSY	1
33	124004464	ALUM HEEL PLATE-14" SDU4&COACH	1
34	9012594	FITT, HYD RUN TEE, 6MJX6MBX6MJ	2
35	930150003	TOP PADS	6
36	GH246	SPLIT RUBBER GROMMET	2

Section I - PARTS

09003929, U/L HORIZONTAL BOOM ASSEMBLY (cont'd)



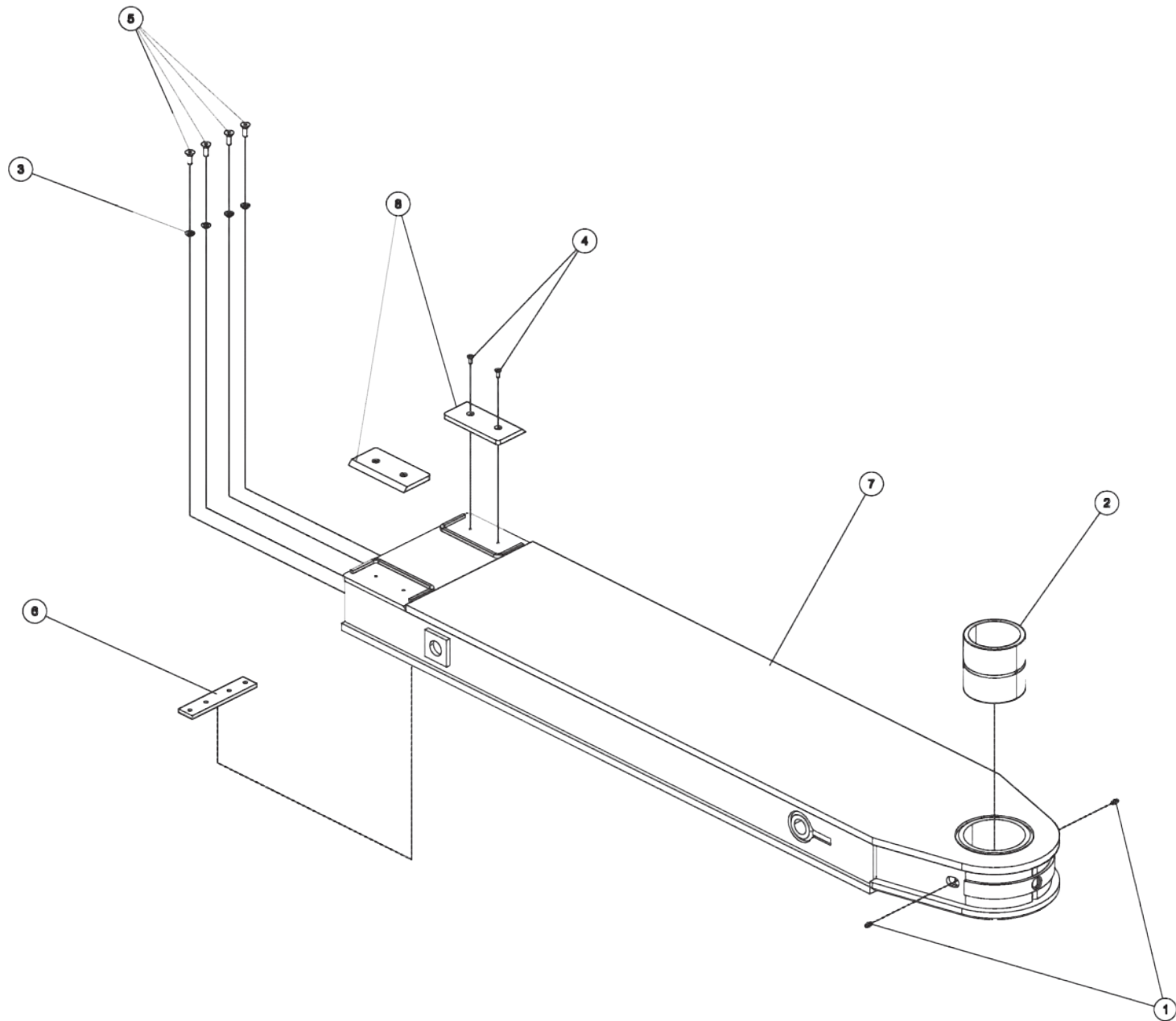
Section I - PARTS

09003929, U/L HORIZONTAL BOOM ASSEMBLY (cont'd)

ITEM	PART NUMBER	DESCRIPTION	QTY
1	0300113	GREASE FITTING, 1/4-28 STR	4
2	03003427	HOSE, HYD 192" LG	2
3	0303968	HOSE HYD, 10" LG	2
4	0307425	CYL, HYD - U/L BOOM EXTEND	2
5	0307460	FITTING, HYD 6MJ-6MB90LL	2
6	0311442	WEAR PAD (15/16 X 1 X 4)	2
7	0400079	SCREW, 1/4-20X3/4 FHS GR5	8
8	0400086	SCREW, 1/4-20X1-1/4 FHS	4
9	0400118	SCREW, 5/16-18X3/4 HHC GR5	3
10	0400139	SET SCREW, 3/8-16X1-1/2 SOC	1
11	0400249	SCREW, 5/8-11X1-1/4 SHC	2
12	0400344	SCREW, 1/2-13X3/4 FHS GR8	8
13	0400379	NUT, 5/16-18 SPR J	1
14	0400392	NUT, 3/8-16 LOK	1
15	0400463	WASHER, 5/16	3
16	0400464	LKWASHER, 5/16	3
17	0400594	SCREW, 1/4-20X5/8 FHS	4
18	0400749	SCREW, 1/2-13X1-1/4 FHS	18
19	0400990	SET SCREW, 1/2-13X1/2 SOC	4
20	07004402	ANGLE, HOSE COVER	1
21	07004403	PLATE, HOSE COVER	1
22	0717869	PLATE, SPACER (BOLT-ON)	4
23	0717871	PIN, CYLINDER ROD	1
24	0717872	PIN, EXTEND CYLINDER BASE	1
25	0717873	PIN, SHEAR OUTER BOOM	2
26	0718087	PLATE - PAD SPACER	2
27	0718096	BLOCK, STOP	2
28	0724419	PLATE-PLUG RETAINER	2
29	08001288	EXTEND CYL BRACKET WELDMENT	1
30	08003427	U/L OUTER BOOM WELDMENT	1
31	0810106	2ND STAGE BOOM WLMT	1
32	0908282	INNER BOOM ASSY	1
33	124004464	ALUM HEEL PLATE-14" SDU4&COACH	1
34	9012594	FITT, HYD RUN TEE, 6MJX6MBX6MJ	2
35	930150003	TOP PADS	6
36	GH246	SPLIT RUBBER GROMMET	2

Section I - PARTS

0908282, INNER BOOM ASSEMBLY



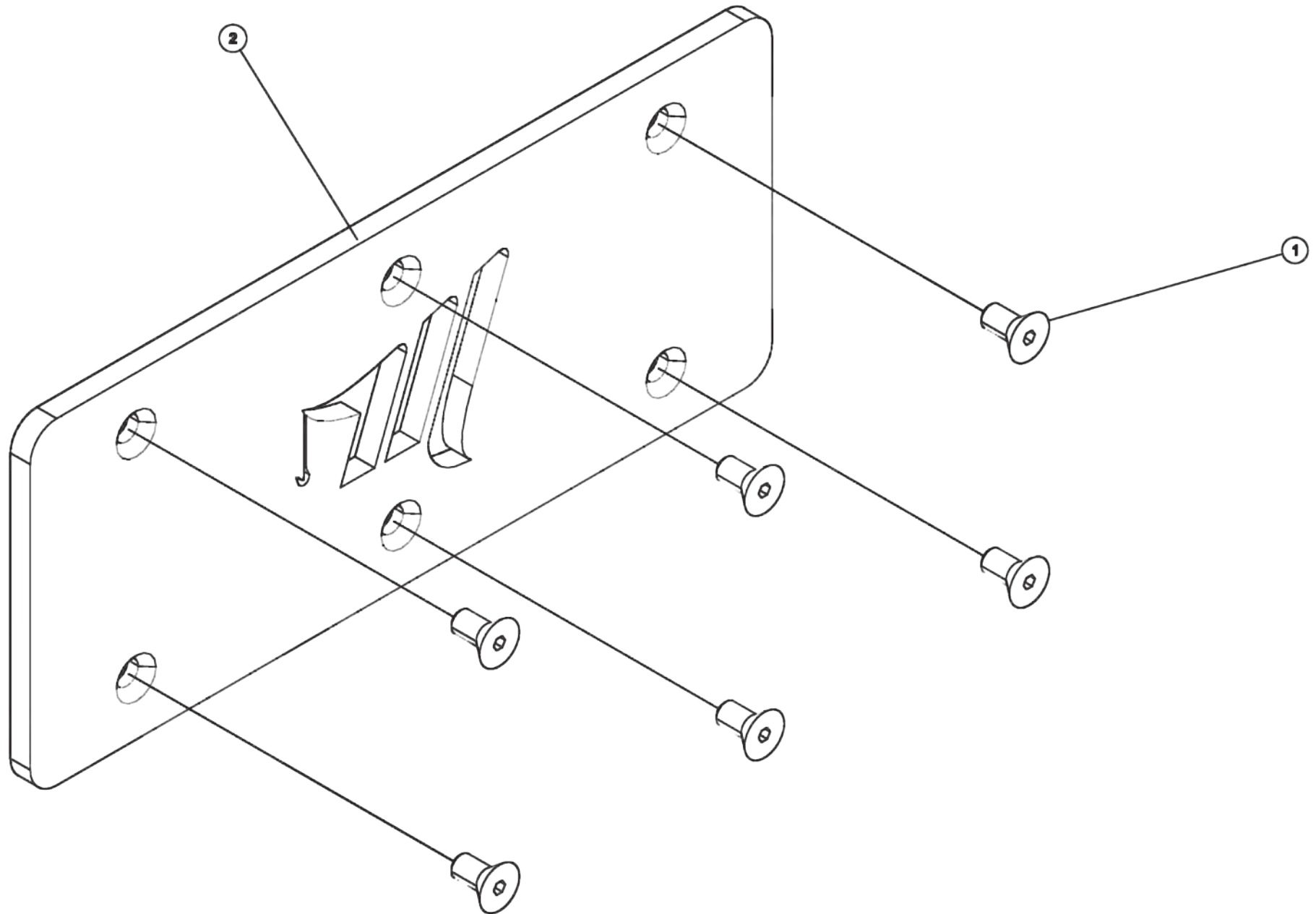
Section I - PARTS

0908282, INNER BOOM ASSEMBLY (cont'd)

ITEM	PART NUMBER	DESCRIPTION	QTY
1	0300113	GREASE FITTING, 1/4-28 STR	2
2	0303088	BUSHING - PIVOT PIN	1
3	0400483	LKWASHER, 3/8 CET	4
4	0400594	SCREW, 1/4-20X5/8 FHS	4
5	0400653	SCREW, 3/8-24X1 FHS	4
6	0706996	PAD, SPACER	1
7	0806813	BOOM - 3RD STAGE WLMT U/L	1
8	930150003	TOP PADS	2

Section I - PARTS

124004464, ALUM HEEL PLATE



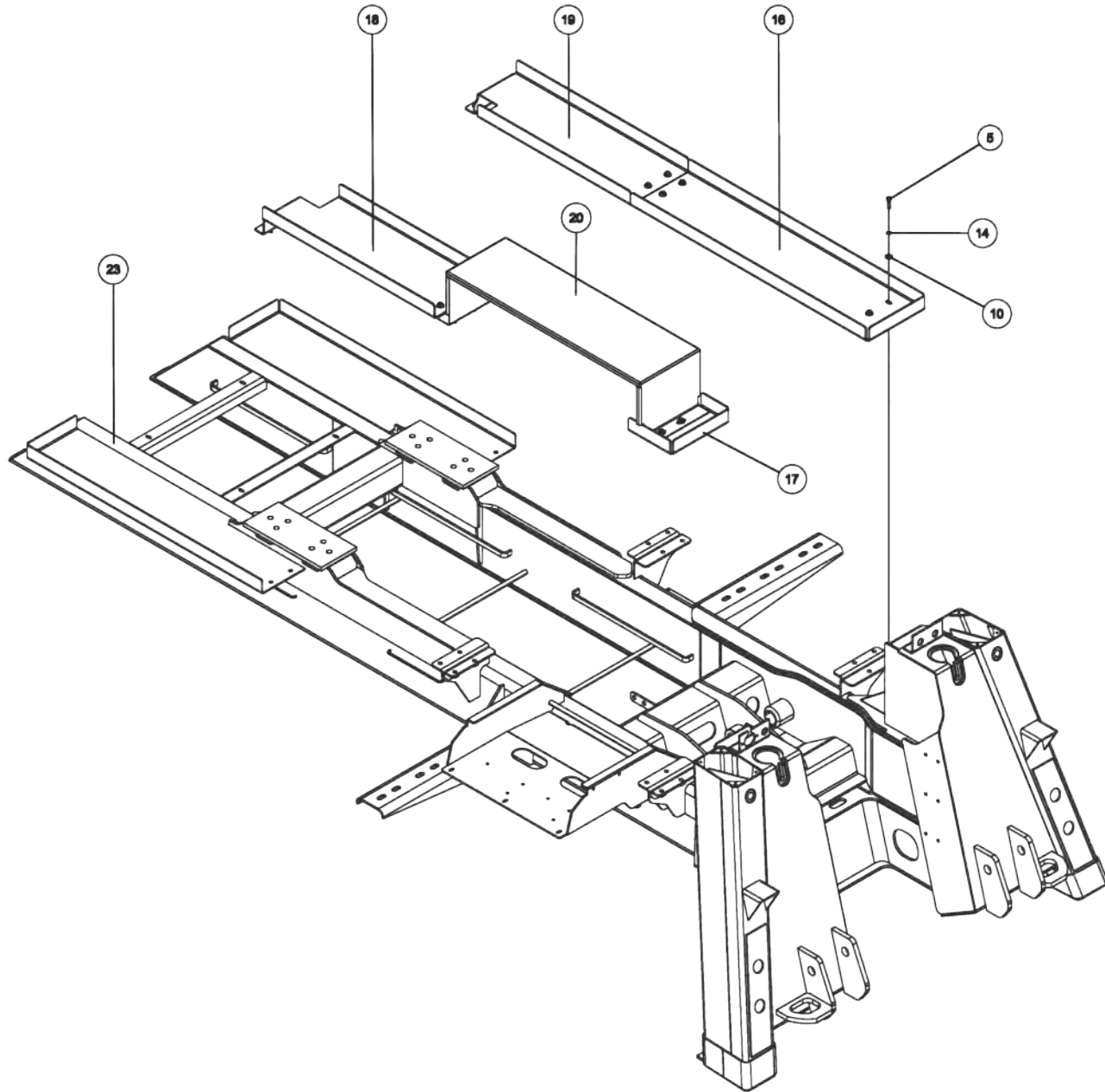
Section I - PARTS

124004464, ALUM HEEL PLATE (cont'd)

ITEM	PART NUMBER	DESCRIPTION	QTY
1	0400155	SCREW, 3/8-16X3/4 FHS	6
2	0724683	UNDERLIFT HEEL BOARD-LOWRIDER	1

Section I - PARTS

09010429, SUBFRAME ASSEMBLY - KNEEBOOM TRANSPORTER



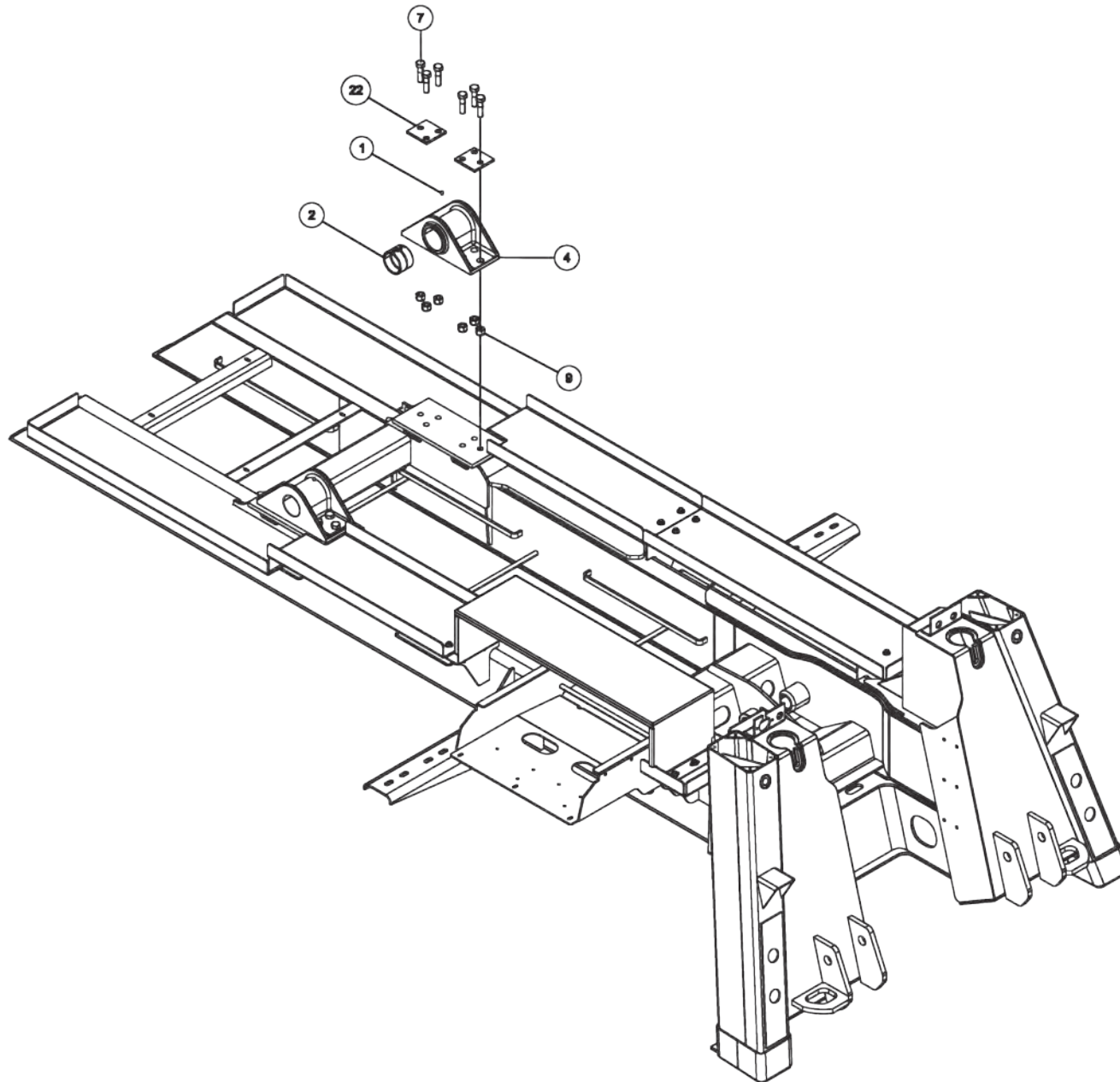
Section I - PARTS

09010429, SUBFRAME ASSEMBLY - KNEEBOOM TRANSPORTER (cont'd)

ITEM	PART NUMBER	DESCRIPTION	QTY
1	0300113	GREASE FITTING, 1/4-28 STR	2
2	0302538	BUSHING - U/L	2
3	0302575	FITTING-BULKHEAD RUN TEE	2
4	0312575	BOOM PIVOT BRKT-MACHINED	2
5	0400132	SCREW, 3/8-16X1-1/2 HHC GR5	18
6	0400237	SCREW, 1/2-13X4 HHC GR5	2
7	0400286	SCREW, 3/4-10X2-3/4 HHC GR8	12
8	0400408	NUT, 1/2-13 LOK	2
9	0400431	NUT, 3/4-10 LOK GR8	12
10	0400480	WASHER, 3/8	18
11	0400491	LKWASHER, 1/2	2
12	0400497	WASHER, 1/2 GR8	2
13	0400980	SCREW, 3/8-16X1 FHS	12
14	0402121	LKWASHER, 3/8 SS	18
15	07002416	PIN, U/L LIFT CYLINDER BASE	2
16	07013245	FLOOR SHEET - REAR DECK (RH)	1
17	07013248	FLOOR SHEET - REAR DECK (LH)	1
18	07017407	ANGLE, DECK PLATE, MID DVR	1
19	07017408	ANGLE, DECK PLATE, MID PASS	1
20	07017409	ANGLE, VALVE COVER, KB TRANS	1
21	07020624	NYLATRON PAD	2
22	0714581	PLATE, BOLTING	4
23	08008728	SUBFRAME WLMT - KNEEBOOM TRANS	1
24	09011728	RESERVOIR ASSY	1
25	26687634	THRUST WASHER	4
26	9041402	1/2 NC X 1 1/4 HHCS PLT GR8	2

Section I - PARTS

09010429, SUBFRAME ASSEMBLY - KNEEBOOM TRANSPORTER (cont'd)



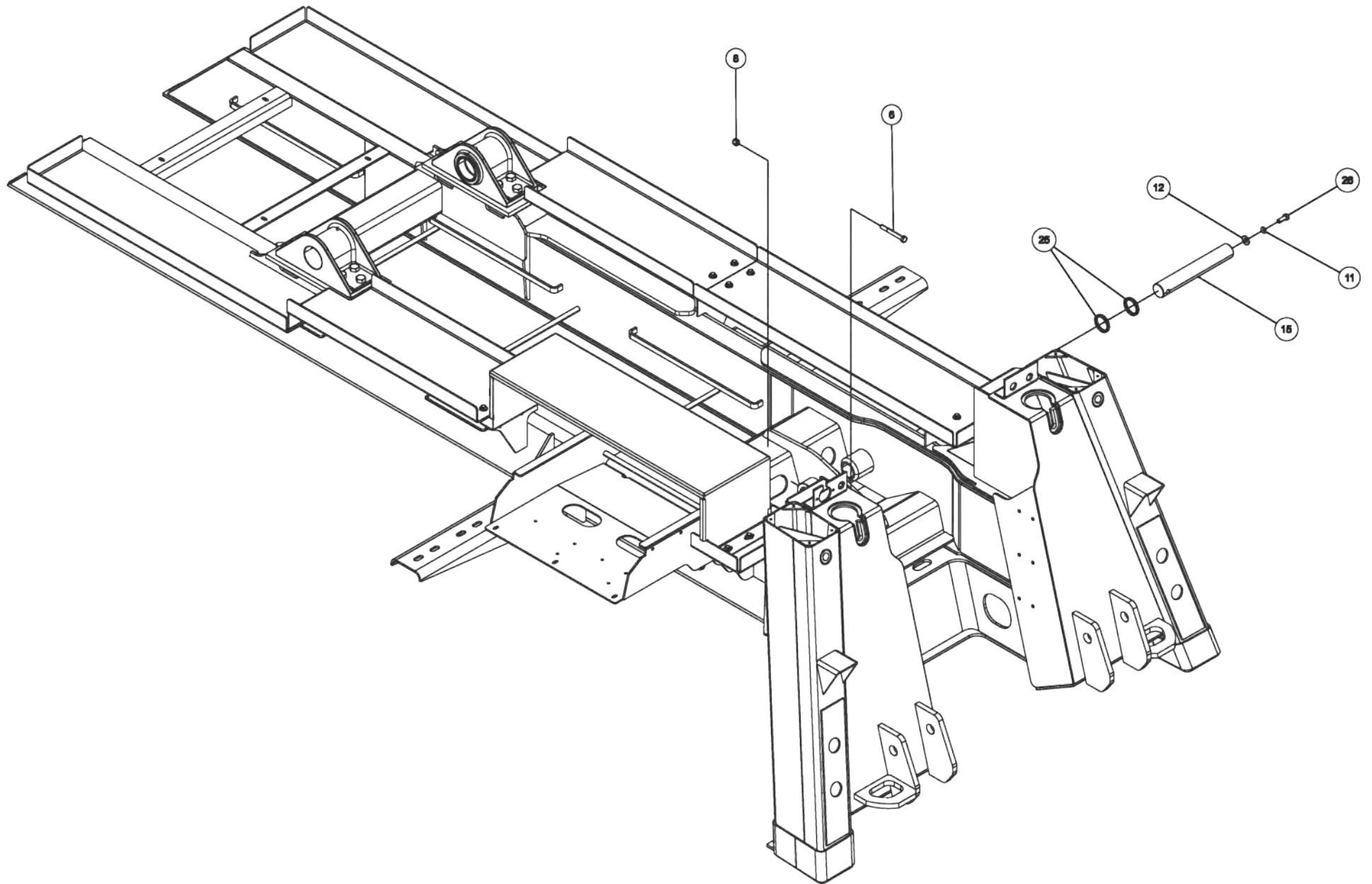
Section I - PARTS

09010429, SUBFRAME ASSEMBLY - KNEEBOOM TRANSPORTER (cont'd)

ITEM	PART NUMBER	DESCRIPTION	QTY
1	0300113	GREASE FITTING, 1/4-28 STR	2
2	0302538	BUSHING - U/L	2
3	0302575	FITTING-BULKHEAD RUN TEE	2
4	0312575	BOOM PIVOT BRKT-MACHINED	2
5	0400132	SCREW, 3/8-16X1-1/2 HHC GR5	18
6	0400237	SCREW, 1/2-13X4 HHC GR5	2
7	0400286	SCREW, 3/4-10X2-3/4 HHC GR8	12
8	0400408	NUT, 1/2-13 LOK	2
9	0400431	NUT, 3/4-10 LOK GR8	12
10	0400480	WASHER, 3/8	18
11	0400491	LKWASHER, 1/2	2
12	0400497	WASHER, 1/2 GR8	2
13	0400980	SCREW, 3/8-16X1 FHS	12
14	0402121	LKWASHER, 3/8 SS	18
15	07002416	PIN, U/L LIFT CYLINDER BASE	2
16	07013245	FLOOR SHEET - REAR DECK (RH)	1
17	07013248	FLOOR SHEET - REAR DECK (LH)	1
18	07017407	ANGLE, DECK PLATE, MID DVR	1
19	07017408	ANGLE, DECK PLATE, MID PASS	1
20	07017409	ANGLE, VALVE COVER, KB TRANS	1
21	07020624	NYLATRON PAD	2
22	0714581	PLATE, BOLTING	4
23	08008728	SUBFRAME WLMT - KNEEBOOM TRANS	1
24	09011728	RESERVOIR ASSY	1
25	26687634	THRUST WASHER	4
26	9041402	1/2 NC X 1 1/4 HHCS PLT GR8	2

Section I - PARTS

09010429, SUBFRAME ASSEMBLY - KNEEBOOM TRANSPORTER (cont'd)



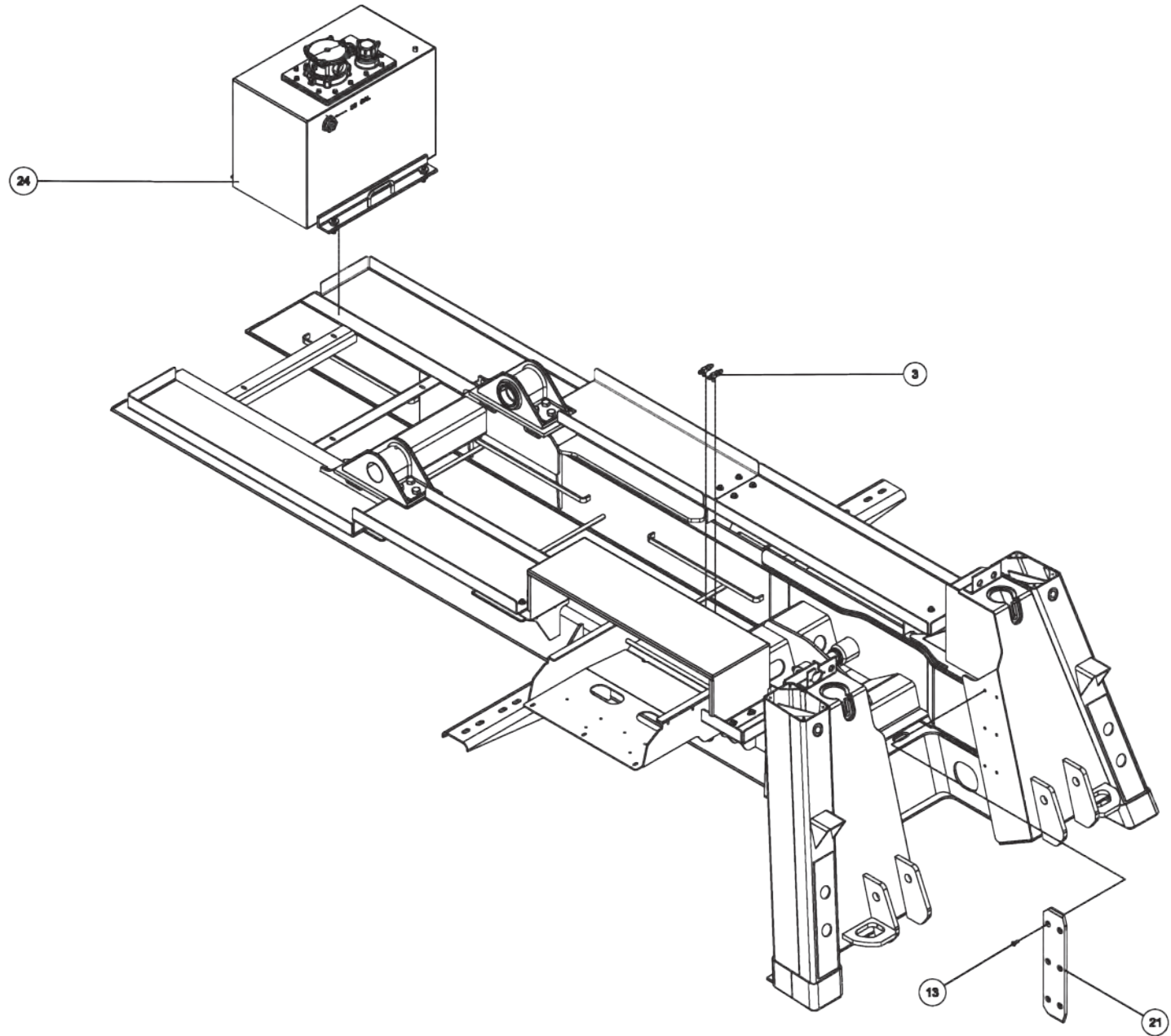
Section I - PARTS

09010429, SUBFRAME ASSEMBLY - KNEEBOOM TRANSPORTER (cont'd)

ITEM	PART NUMBER	DESCRIPTION	QTY
1	0300113	GREASE FITTING, 1/4-28 STR	2
2	0302538	BUSHING - U/L	2
3	0302575	FITTING-BULKHEAD RUN TEE	2
4	0312575	BOOM PIVOT BRKT-MACHINED	2
5	0400132	SCREW, 3/8-16X1-1/2 HHC GR5	18
6	0400237	SCREW, 1/2-13X4 HHC GR5	2
7	0400286	SCREW, 3/4-10X2-3/4 HHC GR8	12
8	0400408	NUT, 1/2-13 LOK	2
9	0400431	NUT, 3/4-10 LOK GR8	12
10	0400480	WASHER, 3/8	18
11	0400491	LKWASHER, 1/2	2
12	0400497	WASHER, 1/2 GR8	2
13	0400980	SCREW, 3/8-16X1 FHS	12
14	0402121	LKWASHER, 3/8 SS	18
15	07002416	PIN, U/L LIFT CYLINDER BASE	2
16	07013245	FLOOR SHEET - REAR DECK (RH)	1
17	07013248	FLOOR SHEET - REAR DECK (LH)	1
18	07017407	ANGLE, DECK PLATE, MID DVR	1
19	07017408	ANGLE, DECK PLATE, MID PASS	1
20	07017409	ANGLE, VALVE COVER, KB TRANS	1
21	07020624	NYLATRON PAD	2
22	0714581	PLATE, BOLTING	4
23	08008728	SUBFRAME WLMT - KNEEBOOM TRANS	1
24	09011728	RESERVOIR ASSY	1
25	26687634	THRUST WASHER	4
26	9041402	1/2 NC X 1 1/4 HHCS PLT GR8	2

Section I - PARTS

09010429, SUBFRAME ASSEMBLY - KNEEBOOM TRANSPORTER (cont'd)



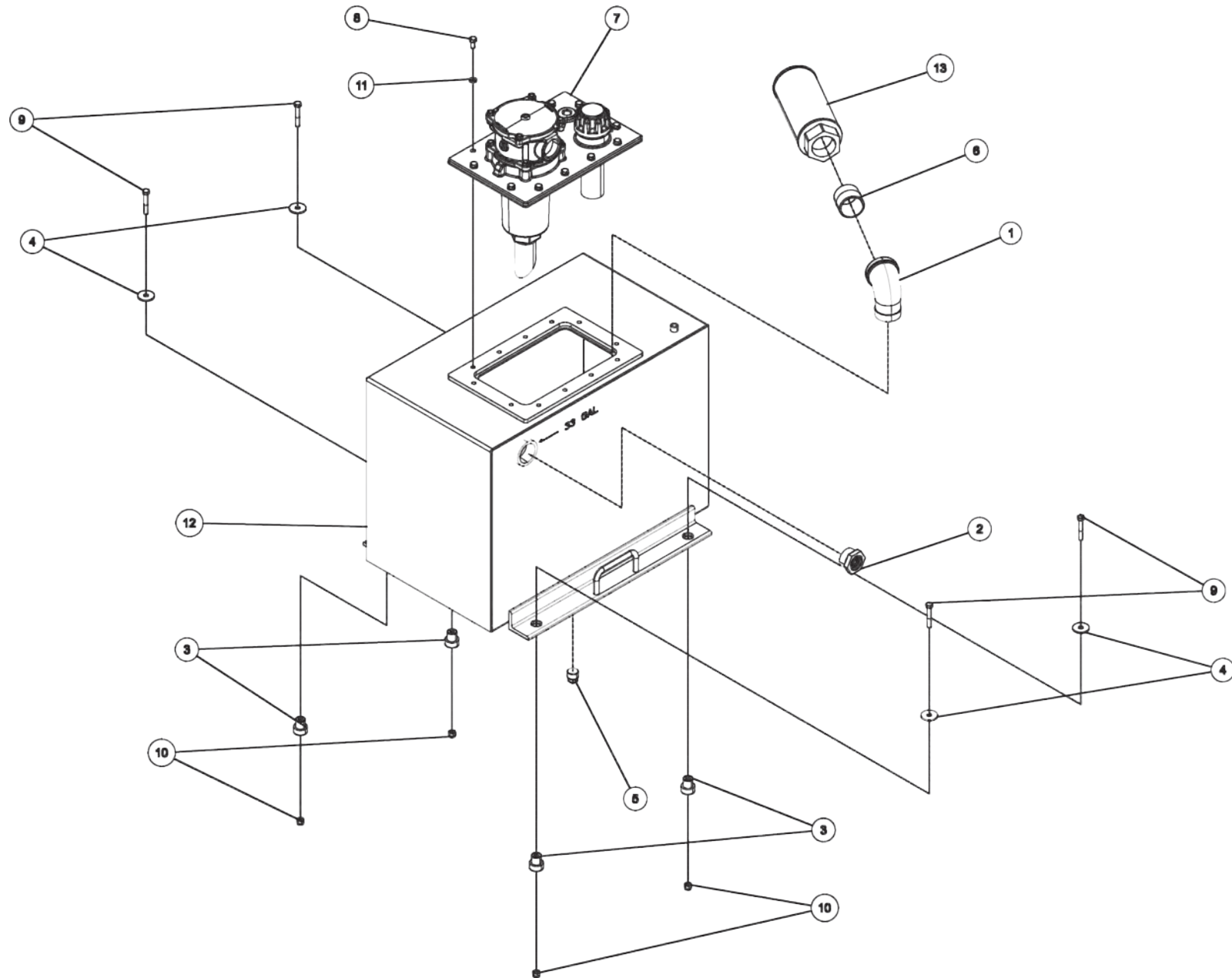
Section I - PARTS

09010429, SUBFRAME ASSEMBLY - KNEEBOOM TRANSPORTER (cont'd)

ITEM	PART NUMBER	DESCRIPTION	QTY
1	0300113	GREASE FITTING, 1/4-28 STR	2
2	0302538	BUSHING - U/L	2
3	0302575	FITTING-BULKHEAD RUN TEE	2
4	0312575	BOOM PIVOT BRKT-MACHINED	2
5	0400132	SCREW, 3/8-16X1-1/2 HHC GR5	18
6	0400237	SCREW, 1/2-13X4 HHC GR5	2
7	0400286	SCREW, 3/4-10X2-3/4 HHC GR8	12
8	0400408	NUT, 1/2-13 LOK	2
9	0400431	NUT, 3/4-10 LOK GR8	12
10	0400480	WASHER, 3/8	18
11	0400491	LKWASHER, 1/2	2
12	0400497	WASHER, 1/2 GR8	2
13	0400980	SCREW, 3/8-16X1 FHS	12
14	0402121	LKWASHER, 3/8 SS	18
15	07002416	PIN, U/L LIFT CYLINDER BASE	2
16	07013245	FLOOR SHEET - REAR DECK (RH)	1
17	07013248	FLOOR SHEET - REAR DECK (LH)	1
18	07017407	ANGLE, DECK PLATE, MID DVR	1
19	07017408	ANGLE, DECK PLATE, MID PASS	1
20	07017409	ANGLE, VALVE COVER, KB TRANS	1
21	07020624	NYLATRON PAD	2
22	0714581	PLATE, BOLTING	4
23	08008728	SUBFRAME WLMT - KNEEBOOM TRANS	1
24	09011728	RESERVOIR ASSY	1
25	26687634	THRUST WASHER	4
26	9041402	1/2 NC X 1 1/4 HHCS PLT GR8	2

Section I - PARTS

09011728, RESERVOIR ASSEMBLY



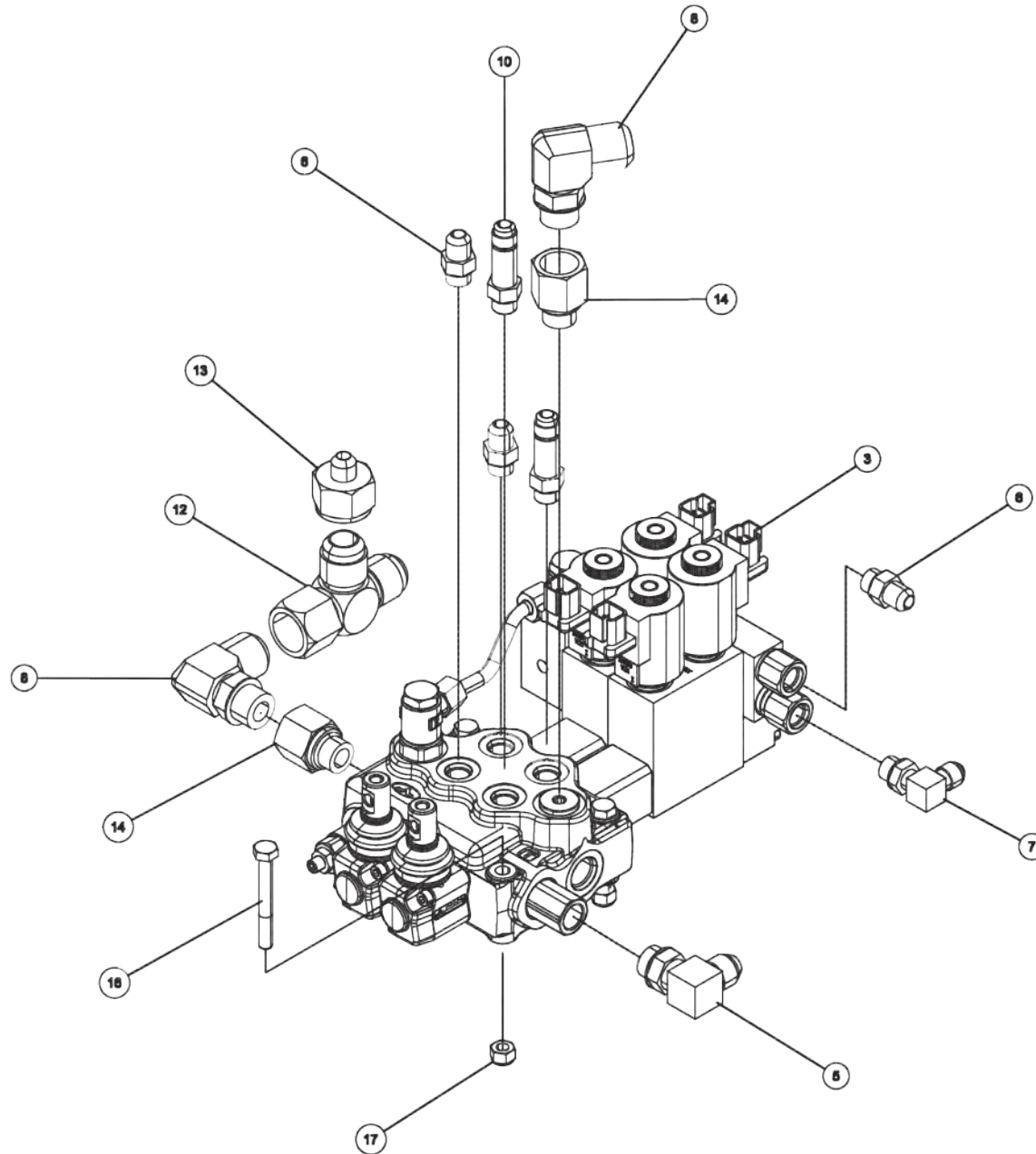
Section I - PARTS

09011728, RESERVOIR ASSEMBLY (cont'd)

ITEM	PART NUMBER	DESCRIPTION	QTY
1	0300593	FITTING, 2BL STREET	1
2	0301541	SIGHT GAGE, TYPE SVM-24	1
3	0302227	CENTER BONDED MOUNT	4
4	0302228	SPECIAL WASHER (LORD	4
5	0303155	PIPE PLUG 3/4 NPT MAGNETIC	1
6	0310204	NIPPLE, 2 CLOSE	1
7	0310429	TANK COVER - FILTER & FILLER	1
8	0400121	SCREW, 3/8-16X3/4 HHC GR5	12
9	0400146	SCREW, 3/8-16X2-1/4 HHC GR5	4
10	0400392	NUT, 3/8-16 LOK	4
11	0400482	LKWASHER, 3/8	12
12	08009988	RESERVOIR WLMT	1
13	HC0634	STRAINER/FILTER	1

Section I - PARTS

09012729, VALVE ASSEMBLY 24V KB TRANS



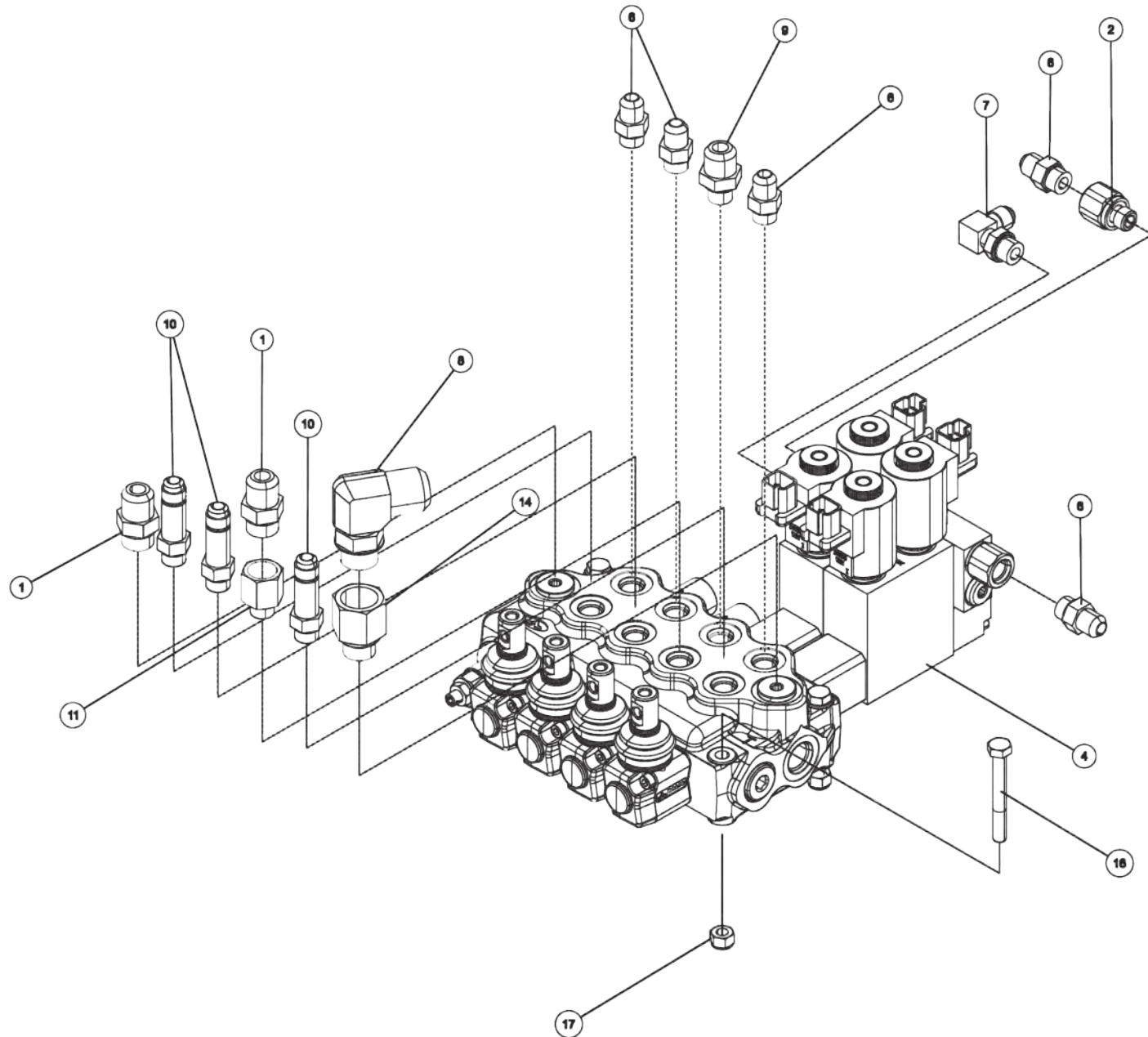
Section I - PARTS

09012729, VALVE ASSEMBLY 24V KB TRANS (cont'd)

ITEM	PART NUMBER	DESCRIPTION	QTY
1	0300041	CONNECTOR, 8MJ-8MB	1
2	03001132	ADAPTER, 4MBSPP-6FB	2
3	03013400	VALVE, SD5/2/2/2-24V-CC	1
4	03013401	VALVE, SD5/4/4/2-24V-CCMC	1
5	0301388	ELBOW, 8MJ-8MB90	1
6	0301522	ADAPTER, 6MJ-6MB	8
7	0301620	FITTING, HYD. 6MJ - 6MB90	2
8	0302085	FITTING, 90 DEG ADPTR	3
9	0302275	FITTING, CONN 8MJ-6MB W/STEP	1
10	0302510	ADAPTER, 6MJ-6MBL	5
11	0302704	FITTING, ADAPTER 6MB-8FB	1
12	0302826	FITTING, TEE	1
13	0302829	FITTING, ADAPTOR	1
14	0306633	FITTING, 8MB-10FB	3
15	0310398	HANDLE, DIVERter VALVE	6
16	0400107	SCREW, 5/16-18X2-1/2 HHC GR5	6
17	0400382	NUT, 5/16-18 LOK	6

Section I - PARTS

09012729, VALVE ASSEMBLY 24V KB TRANS (cont'd)



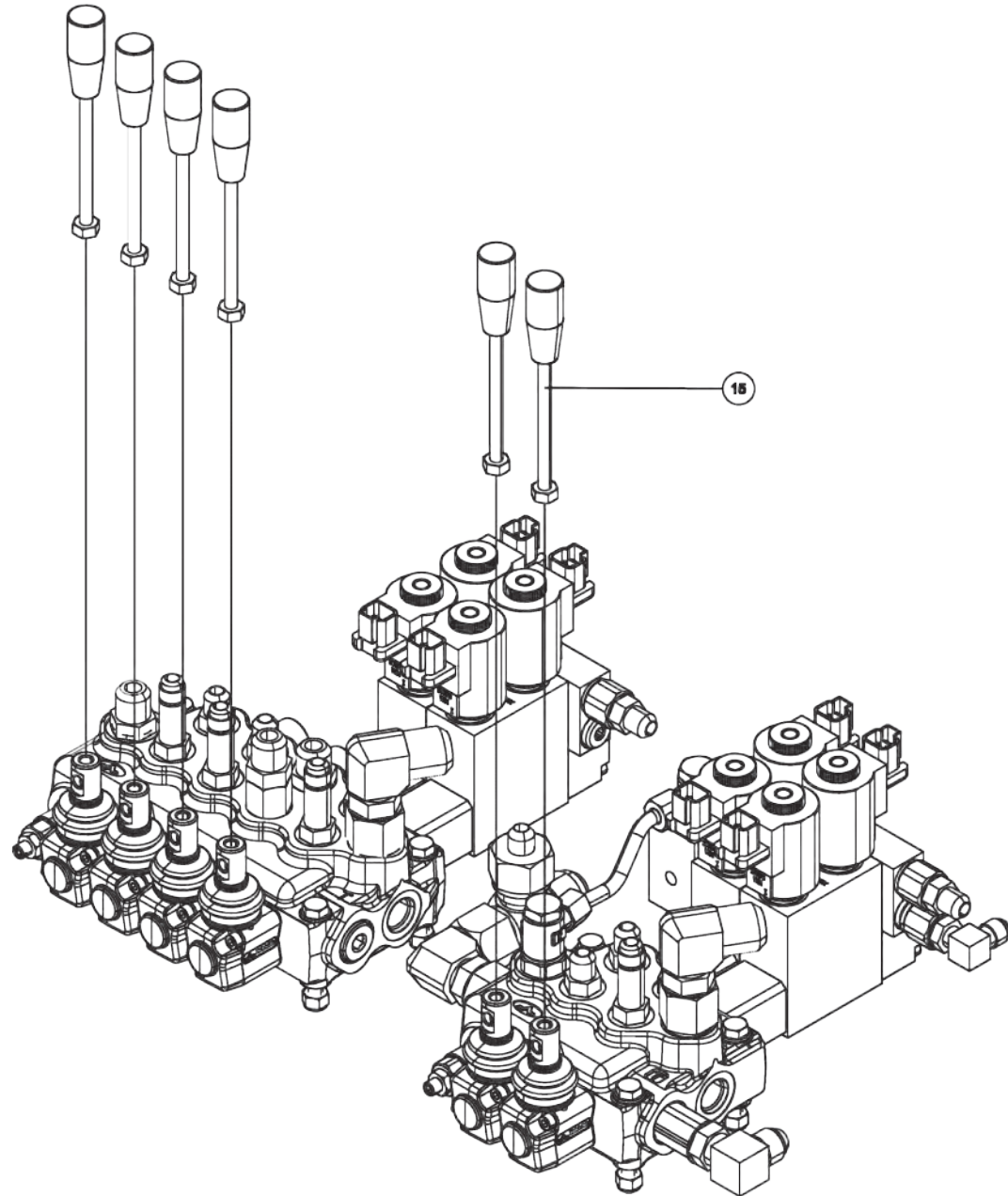
Section I - PARTS

09012729, VALVE ASSEMBLY 24V KB TRANS (cont'd)

ITEM	PART NUMBER	DESCRIPTION	QTY
1	0300041	CONNECTOR, 8MJ-8MB	1
2	03001132	ADAPTER, 4MBSPP-6FB	2
3	03013400	VALVE, SD5/2/2/2-24V-CC	1
4	03013401	VALVE, SD5/4/4/2-24V-CCMC	1
5	0301388	ELBOW, 8MJ-8MB90	1
6	0301522	ADAPTER, 6MJ-6MB	8
7	0301620	FITTING, HYD. 6MJ - 6MB90	2
8	0302085	FITTING, 90 DEG ADPTR	3
9	0302275	FITTING, CONN 8MJ-6MB W/STEP	1
10	0302510	ADAPTER, 6MJ-6MBL	5
11	0302704	FITTING, ADAPTER 6MB-8FB	1
12	0302826	FITTING, TEE	1
13	0302829	FITTING, ADAPTOR	1
14	0306633	FITTING, 8MB-10FB	3
15	0310398	HANDLE, DIVERTER VALVE	6
16	0400107	SCREW, 5/16-18X2-1/2 HHC GR5	6
17	0400382	NUT, 5/16-18 LOK	6

Section I - PARTS

09012729, VALVE ASSEMBLY 24V KB TRANS (cont'd)



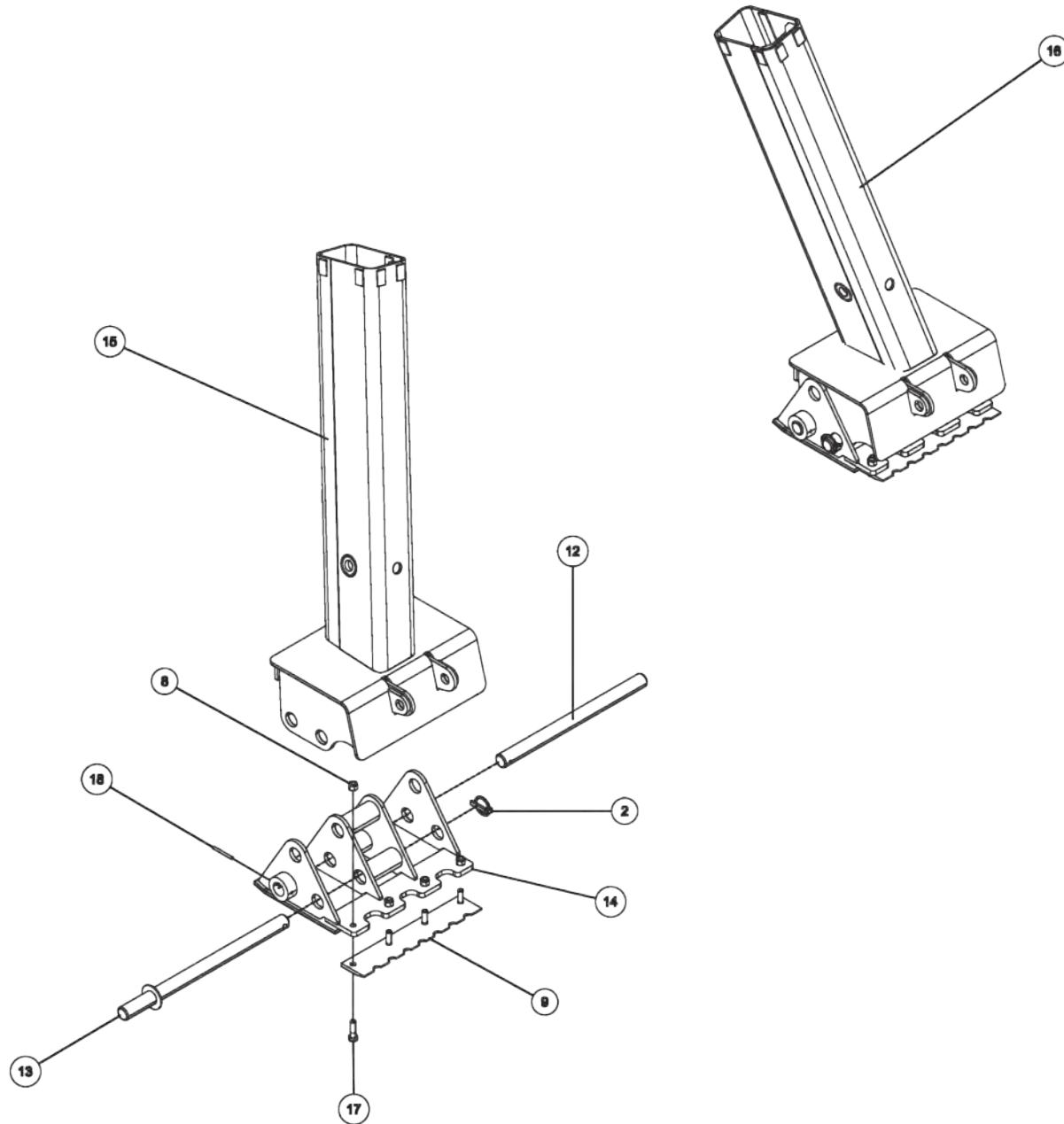
Section I - PARTS

09012729, VALVE ASSEMBLY 24V KB TRANS (cont'd)

ITEM	PART NUMBER	DESCRIPTION	QTY
1	0300041	CONNECTOR, 8MJ-8MB	1
2	03001132	ADAPTER, 4MBSPP-6FB	2
3	03013400	VALVE, SD5/2/2/2-24V-CC	1
4	03013401	VALVE, SD5/4/4/2-24V-CCMC	1
5	0301388	ELBOW, 8MJ-8MB90	1
6	0301522	ADAPTER, 6MJ-6MB	8
7	0301620	FITTING, HYD. 6MJ - 6MB90	2
8	0302085	FITTING, 90 DEG ADPTR	3
9	0302275	FITTING, CONN 8MJ-6MB W/STEP	1
10	0302510	ADAPTER, 6MJ-6MBL	5
11	0302704	FITTING, ADAPTER 6MB-8FB	1
12	0302826	FITTING, TEE	1
13	0302829	FITTING, ADAPTOR	1
14	0306633	FITTING, 8MB-10FB	3
15	0310398	HANDLE, DIVERter VALVE	6
16	0400107	SCREW, 5/16-18X2-1/2 HHC GR5	6
17	0400382	NUT, 5/16-18 LOK	6

Section I - PARTS

0907021, REAR SPADE ASSEMBLY



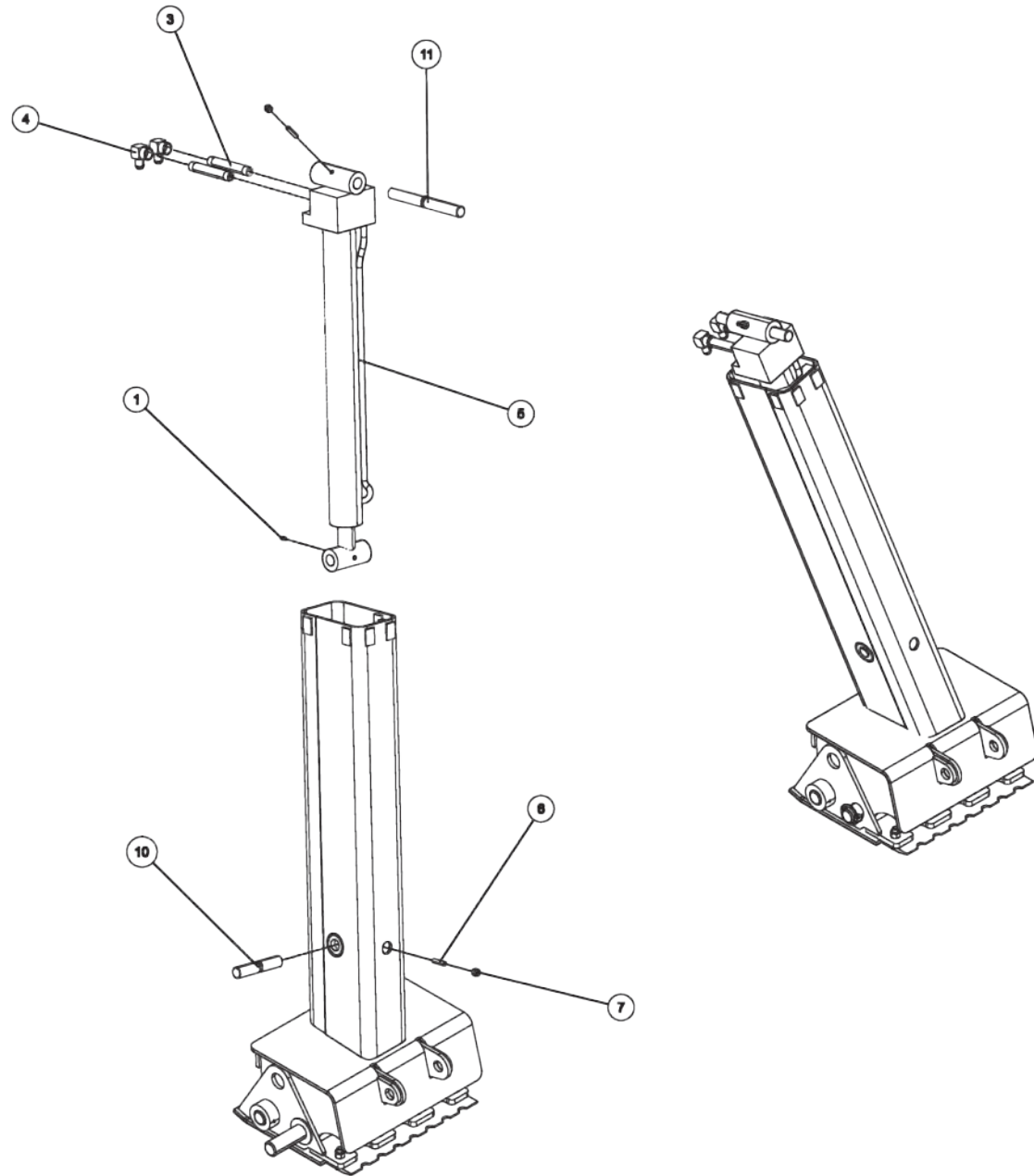
Section I - PARTS

0907021, REAR SPADE ASSEMBLY (cont'd)

ITEM	PART NUMBER	DESCRIPTION	QTY
1	0300113	GREASE FITTING, 1/4-28 STR	2
2	0301861	QUICK PIN,LINCH -B7932 PL 7/16	2
3	0302980	NIPPLE, 1/2X5 S80 BLK PIPE	4
4	0307045	FITT. 90 DEG EL 6MJ-8FP90	4
5	0310013	CYL, HYD TI-S24023424PPBZ	2
6	0400139	SET SCREW, 3/8-16X1-1/2 SOC	4
7	0400392	NUT, 3/8-16 LOK	4
8	0400416	NUT, 1/2-13 LOK GR8	8
9	0705485	BLADE, DIG PAD	2
10	0705500	SHAFT, LOWER SPADE	2
11	0707394	SHAFT, UPPER SPADE	2
12	0715694	PIN, SPADE PIVOT	2
13	0804334	PIN - MULTI-POSITION	2
14	0807630	LOWER SPADE PAD WLMT	2
15	0807664	INNER SPADE WELD'T L.H.(4024)	1
16	0807665	INNER SPADE WELD'T R.H.(4024)	1
17	9041404	1/2 NC X 1 3/4 HHCS PL GR8	8
18	9046354	PIN, 1/4X2-1/2 SPR	2

Section I - PARTS

0907021, REAR SPADE ASSEMBLY (cont'd)



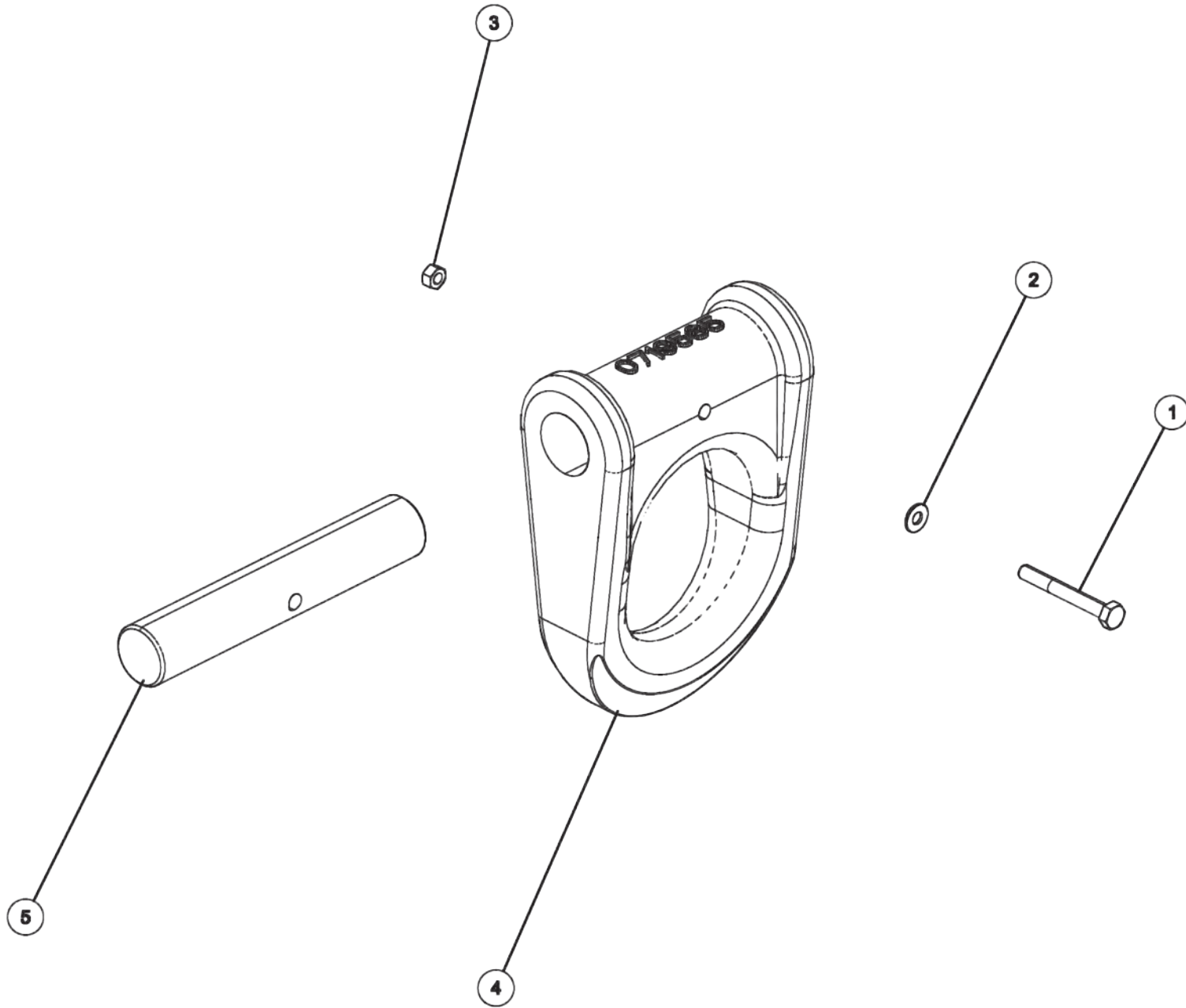
Section I - PARTS

0907021, REAR SPADE ASSEMBLY (cont'd)

ITEM	PART NUMBER	DESCRIPTION	QTY
1	0300113	GREASE FITTING, 1/4-28 STR	2
2	0301861	QUICK PIN,LINCH -B7932 PL 7/16	2
3	0302980	NIPPLE, 1/2X5 S80 BLK PIPE	4
4	0307045	FITT. 90 DEG EL 6MJ-8FP90	4
5	0310013	CYL, HYD TI-S24023424PPBZ	2
6	0400139	SET SCREW, 3/8-16X1-1/2 SOC	4
7	0400392	NUT, 3/8-16 LOK	4
8	0400416	NUT, 1/2-13 LOK GR8	8
9	0705485	BLADE, DIG PAD	2
10	0705500	SHAFT, LOWER SPADE	2
11	0707394	SHAFT, UPPER SPADE	2
12	0715694	PIN, SPADE PIVOT	2
13	0804334	PIN - MULTI-POSITION	2
14	0807630	LOWER SPADE PAD WLMT	2
15	0807664	INNER SPADE WELD'T L.H.(4024)	1
16	0807665	INNER SPADE WELD'T R.H.(4024)	1
17	9041404	1/2 NC X 1 3/4 HHCS PL GR8	8
18	9046354	PIN, 1/4X2-1/2 SPR	2

Section I - PARTS

0911957, KIT D-RING PARTS



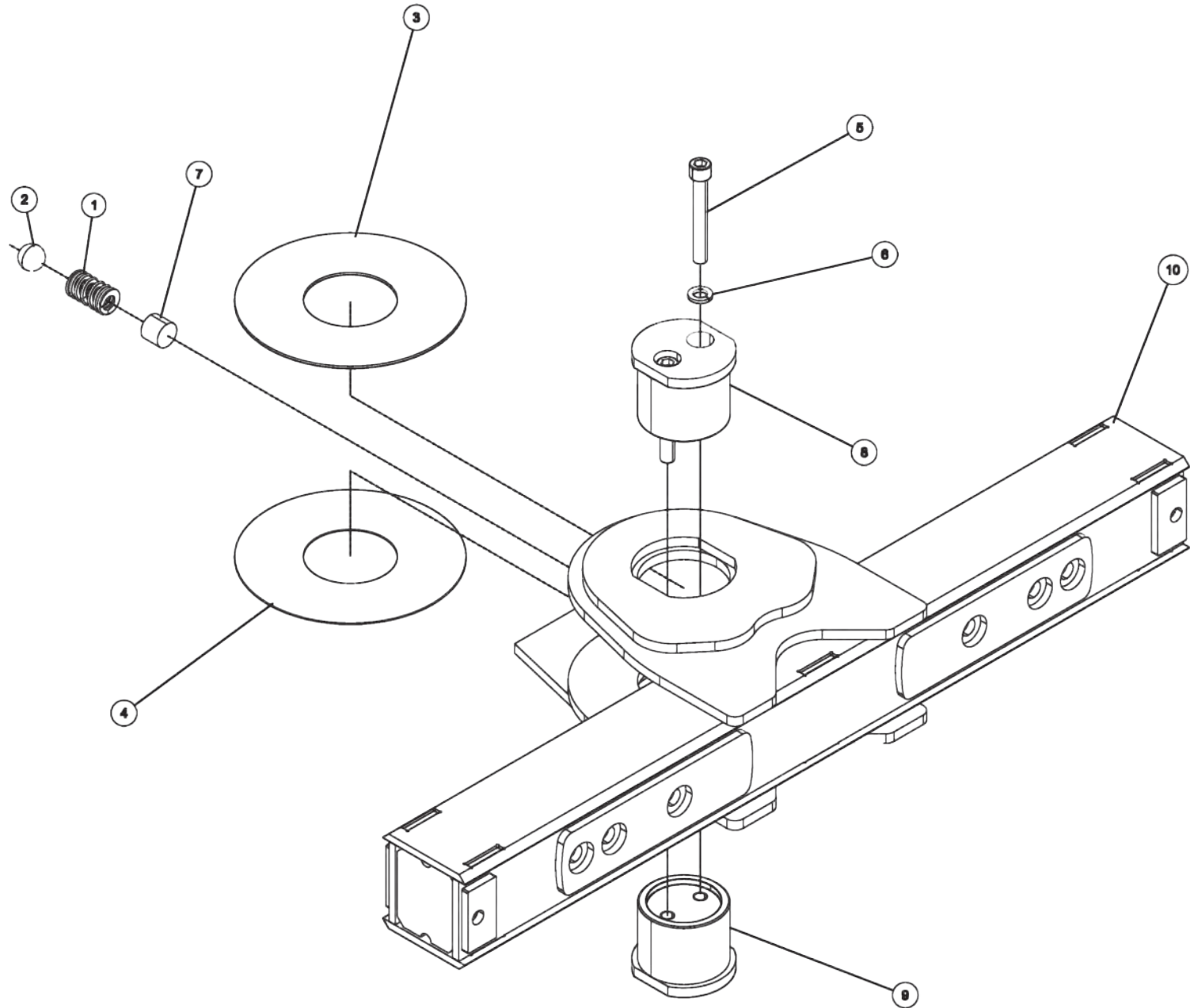
Section I - PARTS

0911957, KIT D-RING PARTS (cont'd)

ITEM	PART NUMBER	DESCRIPTION	QTY
1	0400107	SCREW, 5/16-18X2-1/2 HHC GR5	1
2	0400451	WASHER, 1/4	1
3	0400776	NUT, 5/16-18 JAM LOK	1
4	0719585	D-RING, TOWING	1
5	GA0215	PIN-"D" RING	1

Section I - PARTS

0912063, CROSSBAR ASSEMBLY XHD 5X5 CENTURY W/ LOWRIDER



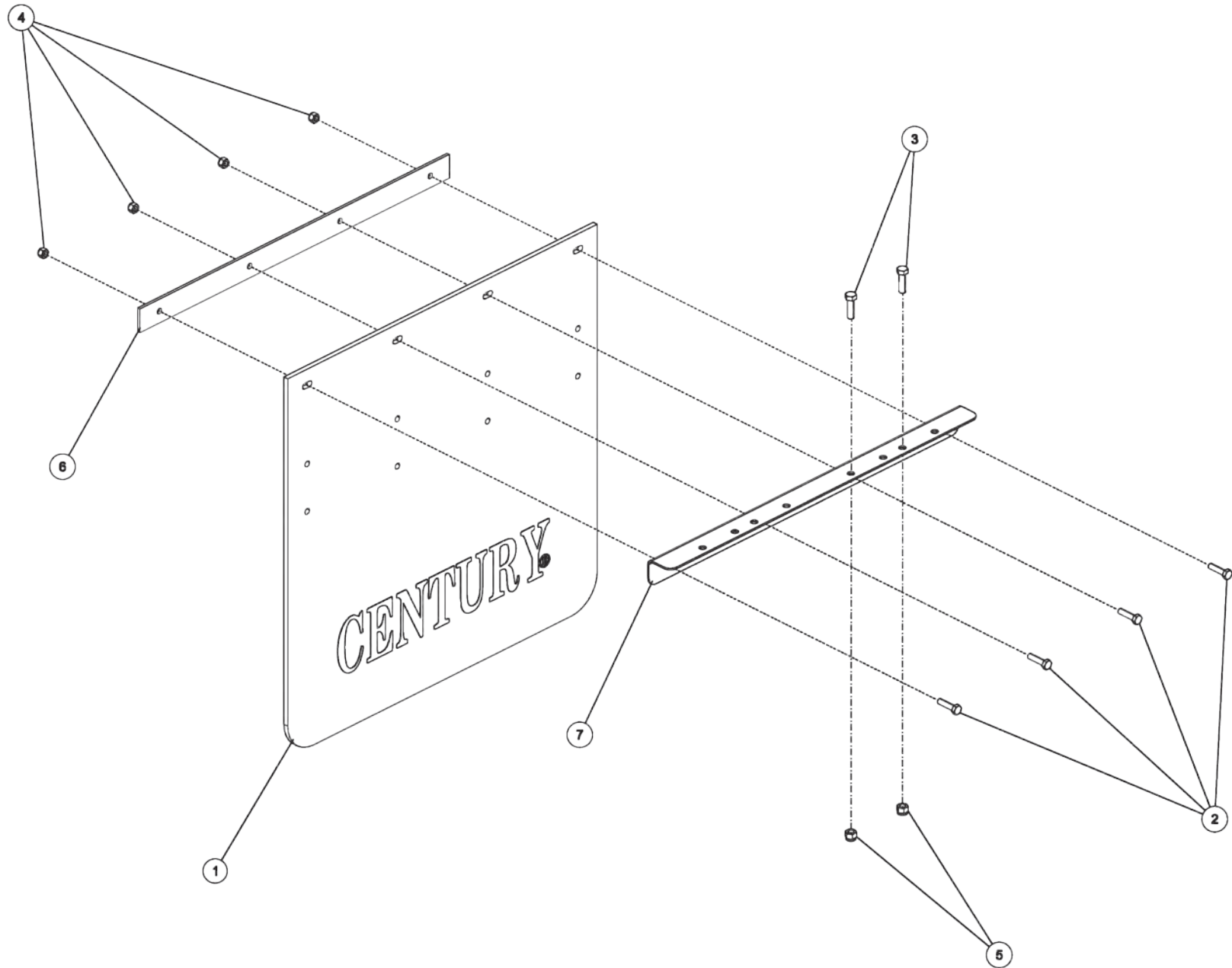
Section I - PARTS

0912063, CROSSBAR ASSEMBLY XHD 5X5 CENTURY W/ LOWRIDER (cont'd)

ITEM	PART NUMBER	DESCRIPTION	QTY
1	0301197	COMP.SPRING,CROSS BAR,FI	1
2	0301398	STEEL BALL, 1-3/16 DIA	1
3	0303097	THRUST WASHER - 1/8 THK	1
4	0303098	THRUST WASHER - 1/16 THK	1
5	0400271	SCREW, 5/8-11X4-1/2 HHC	2
6	0400508	LKWASHER, 5/8	2
7	07011109	SPACER, DETENT BALL SPRING	1
8	0724980	PIN-TOP HALF PIVOT	1
9	0724981	PIN-BOTTOM HALF PIVOT	1
10	0810597	XBAR WLDMT 25K, CENT W/ LWRRDR	1

Section I - PARTS

0908382, KIT - MUDFLAP LARGE CENTURY WRECKER



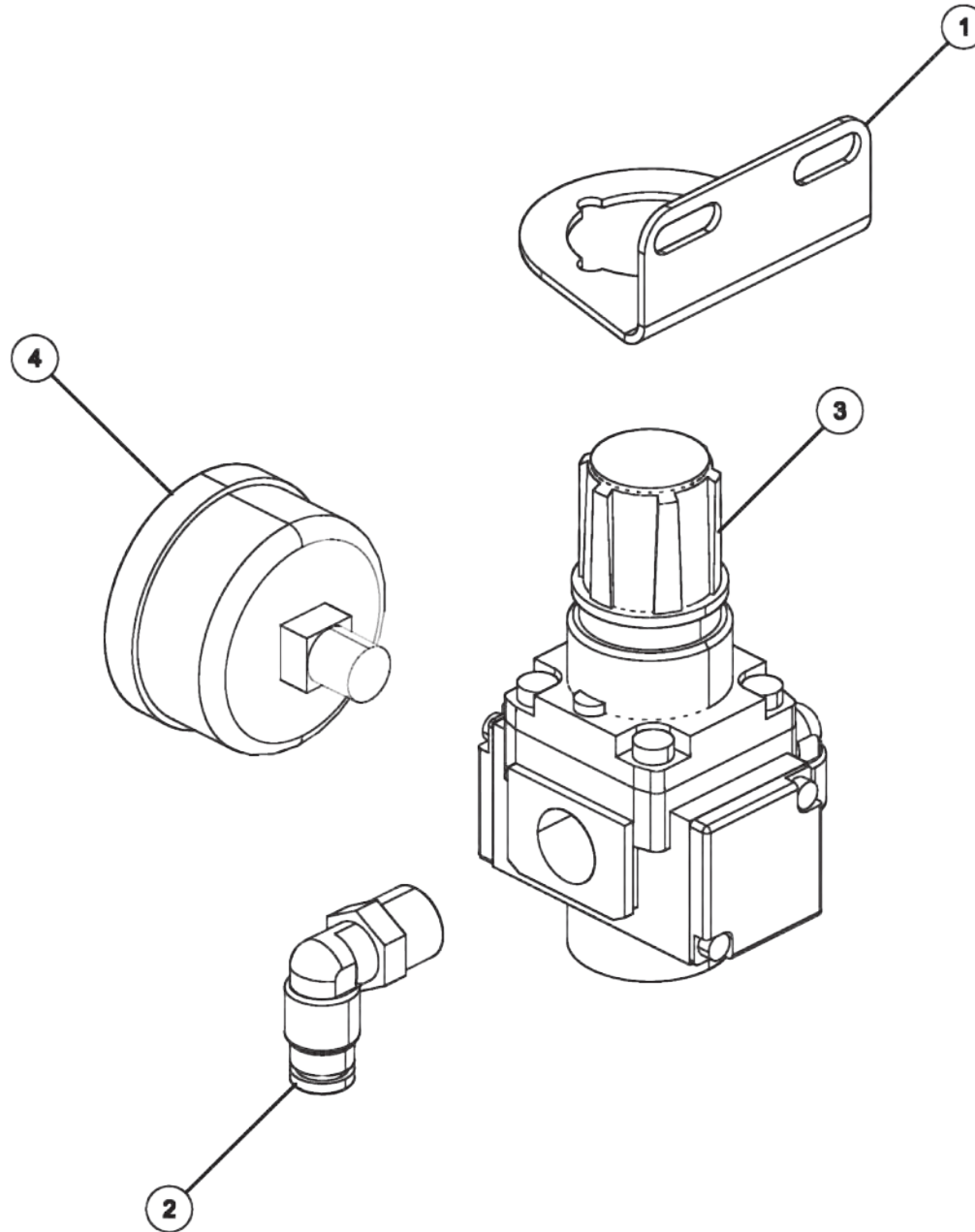
Section I - PARTS

0908382, KIT - MUDFLAP LARGE CENTURY WRECKER (cont'd)

ITEM	PART NUMBER	DESCRIPTION	QTY
1	0310631	MUD FLAP, CENTURY	2
2	0400103	SCREW, 5/16-18X1-1/4 HHC GR5	8
3	0400148	SCREW, 3/8-16X1-1/4 HHC GR5	4
4	0400382	NUT, 5/16-18 LOK	8
5	0400392	NUT, 3/8-16 LOK	4
6	0717386	BAR - MUDFLAP	2
7	0718139	ANGLE - MUD FLAP MOUNT	2

Section I - PARTS

0911804, AIR REGULATOR-GAUGE ASSEMBLY



Section I - PARTS

0911804, AIR REGULATOR-GAUGE ASSEMBLY (cont'd)

ITEM	PART NUMBER	DESCRIPTION	QTY
1	0303365	BRACKET, MOUNTING - AIR PREP	1
2	9010520	FITTING-ELBOW 1/4T-1/4NPT	2
3	HA0131	REGULATOR, AIR	1
4	HA0132	GAUGE 0-160 PSI	1



CENTURY®

Miller Industries Towing Equipment Inc.
8503 Hilltop Drive • Ooltewah, Tennessee 37363
(423) 238-4171 • www.millerind.com