

CENTURY®

L E G E N D A R Y L E A D E R S H I P



OWNER'S MANUAL

5130 / 5230 PARTS & SCHEMATICS

**NOTE: MANUAL including SPECIFICATIONS, subject to change without notice
All ratings specified are based on structural factors only,
not vehicle capacities or capabilities.**

CENTURY®

Miller Industries Towing Equipment Inc.
8503 Hilltop Drive
Ooltewah, Tennessee 37363
Phone (423) 238-4171 • FAX (423) 238-5371

FORM NO. 0501779
10 / 2011
PRICE \$25.00

LIMITED WARRANTY

MILLER INDUSTRIES TOWING EQUIPMENT INC., hereinafter referred to as MILLER, warrants to the original purchaser that each new MILLER wrecker or other MILLER products will be free from defects in material and workmanship for a period of twelve (12) months from date placed in service, but in no event shall such warranty period exceed twenty-four (24) months from date of manufacture by MILLER. The purchaser must promptly notify MILLER in writing of any failure in material or workmanship. In no event shall MILLER accept such notification later than twenty-four (24) months from date of delivery or twelve (12) months from date placed in service, whichever is earlier.

MILLER's obligation under this warranty, statutory or otherwise, is limited to the repair or replacement at the MILLER factory, or at a point designated by MILLER, of such part or parts as shall appear upon inspection by MILLER to be defective in material or workmanship. New or remanufactured parts will be used for any replacement at MILLER's option. This warranty is not transferable. This warranty does not obligate MILLER to bear the cost of labor or transportation charges in connection with the repair or replacement of any parts found to be defective, nor shall it apply to a product upon which repairs or alterations have been made unless authorized by MILLER.

EXCEPT AS EXPRESSLY SET FORTH IN THIS WARRANTY, MILLER MAKES NO OTHER WARRANTY, EXPRESS OR IMPLIED, AND HEREBY DISCLAIMS ALL OTHER WARRANTIES INCLUDING, BUT NOT LIMITED TO, THE IMPLIED WARRANTIES OF MERCHANTABILITY AND FITNESS FOR A PARTICULAR PURPOSE. MILLER shall in no event be liable for claimed downtime, claimed loss of profits or goodwill, or any other special, incidental, indirect, or consequential damages concerning or relating to any product or parts, whether based on negligence, strict liability, breach of contract, breach of warranty, misrepresentation or any other legal theory, regardless of whether the loss resulted from any general or particular requirement which MILLER knew or had reason to know about at the time of sale.

MILLER MAKES NO WARRANTY, EXPRESS OR IMPLIED, AS TO THE FINISHED PRODUCTS MANUFACTURED OR SUPPLIED BY ANOTHER MANUFACTURER AND SUPPLIED BY MILLER TO PURCHASER, including, but not limited to, any vehicle to which a MILLER product may be affixed or any accessories or wire rope, and MILLER EXPRESSLY DISCLAIMS ANY IMPLIED WARRANTIES OF MERCHANTABILITY OR FITNESS FOR A PARTICULAR PURPOSE AS TO SUCH EQUIPMENT OR PRODUCTS. This language shall in no way affect or diminish the rights of the purchaser to rely on such warranties as are extended by such manufacturers or suppliers. MILLER shall, to the extent permitted under applicable law, pass on to the purchaser such manufacturer's or seller's warranty.

MILLER, whose policy is one of continuous improvement, reserves the right to improve its products through changes in design or materials as it may deem desirable without being obligated to incorporate such changes in products previously sold. This warranty is not intended to cover or include the following items, which are set forth by way of example and not limitation:

- A. Normal deterioration of trim, paint, lettering, and appearance items due to wear or exposure to weather, road conditions, road treatments, etc.
- B. Any damage or defect due to accident, misuse, abuse, improper or unauthorized repairs, failure to provide reasonable and necessary maintenance, or uses for which the equipment was not designed or intended.
- C. Alterations or modifications that affect performance, operation or reliability.
- D. Normal maintenance parts including, but not limited to, wear pads, bushings, wire rope, mud flaps, fenderettes, light bulbs, hydraulic oil, filters, and tow sling belts.

IT IS EXPRESSLY UNDERSTOOD THAT MILLER MAKES NO IMPLIED WARRANTY THAT MILLER PRODUCTS SHALL BE FIT FOR THE PURPOSE OF LIFTING OR MOVING PEOPLE OR FOR ANY OTHER IMPROPER USE.



Miller Industries Towing Equipment Inc.
8503 Hilltop Drive
Ooltewah, Tennessee 37363
Telephone (423) 238-4171

SERIAL NUMBER

OWNER, USER AND OPERATOR:

We appreciate your choice of our towing and recovery unit for your application. Our number one priority is user safety which is best achieved by our joint efforts. We feel that you can make a major contribution to safety if you, as the equipment owner and operator:

1. **Comply with Federal, State, and Local Regulations.**
2. **Read, Understand, and Follow the Instructions in this Manual.**
3. **Use Good, Safe Work Practices in a Common Sense Way.**
4. **Only have Authorized and Trained Personnel performing maintenance on the Towing and Recovery Unit.**

TABLE OF CONTENTS

It is assumed by the manufacturer that the Owner/Operator has a thorough knowledge of the accepted and lawful retrieval and towing methods as dictated by his city, county or state. The manufacturer rejects any liability claim that may result from the incorrect or unlawful application of its equipment.

Section I - PARTS

SUBFRAME ASSEMBLY	I-2 & I-3
5130 BODY ASSEMBLY	I-4 & I-5
5230 BODY ASSEMBLY	I-6 & I-7
RECOVERY BOOM ASSEMBLY	I-8 & I-9
UNDERLIFT & TOWER ASSEMBLY	I-10 thru I-13
UNDERLIFT HYDRAULICS	I-14 & I-15
RECOVERY BOOM HYDRAULICS	I-16 & I-17
WINCH HYDRAULICS & AIR FREE SPOOL	I-18 & I-19
PUMP, VALVE & FILTER HYDRAULICS	I-20 & I-21
LEFT & RIGHT CONTROL ASSEMBLY	I-22 & I-23
LEFT CONTROL ASSEMBLY	I-24 & I-25
RIGHT CONTROL ASSEMBLY (OPTIONAL)	I-26 & I-27
REAR SPADE HYDRAULICS	I-28 & I-29
BOOM SWIVEL ASSEMBLY	I-30

Section II - PARTS LIST

5130 PARTS	II-1 thru II-14
5230 PARTS	II-15 thru II-28
2010 ALUMINUM BODY OPTION 206 C.A (5130)	II-29 & II-30
2010 ALUMINUM BODY OPTION 180 TANDEM (5230)	II-31 & II-32

Section II - SCHEMATICS

ELECTRICAL	III-1 thru III-3
HYDRAULIC	III-4

Section I - PARTS

This Section is provided by the manufacturer for the purpose of ordering any component part of the **5130 & 5230 Recovery Unit** that may be required when part replacement is necessary. Be certain to use only original equipment replacement parts for warranty purposes as well as for keeping your **5130 & 5230 Recovery Unit** in its original state and optimum operating capacities.

When ordering replacement or spare parts be sure to provide the following information to the manufacturer's Parts Department.

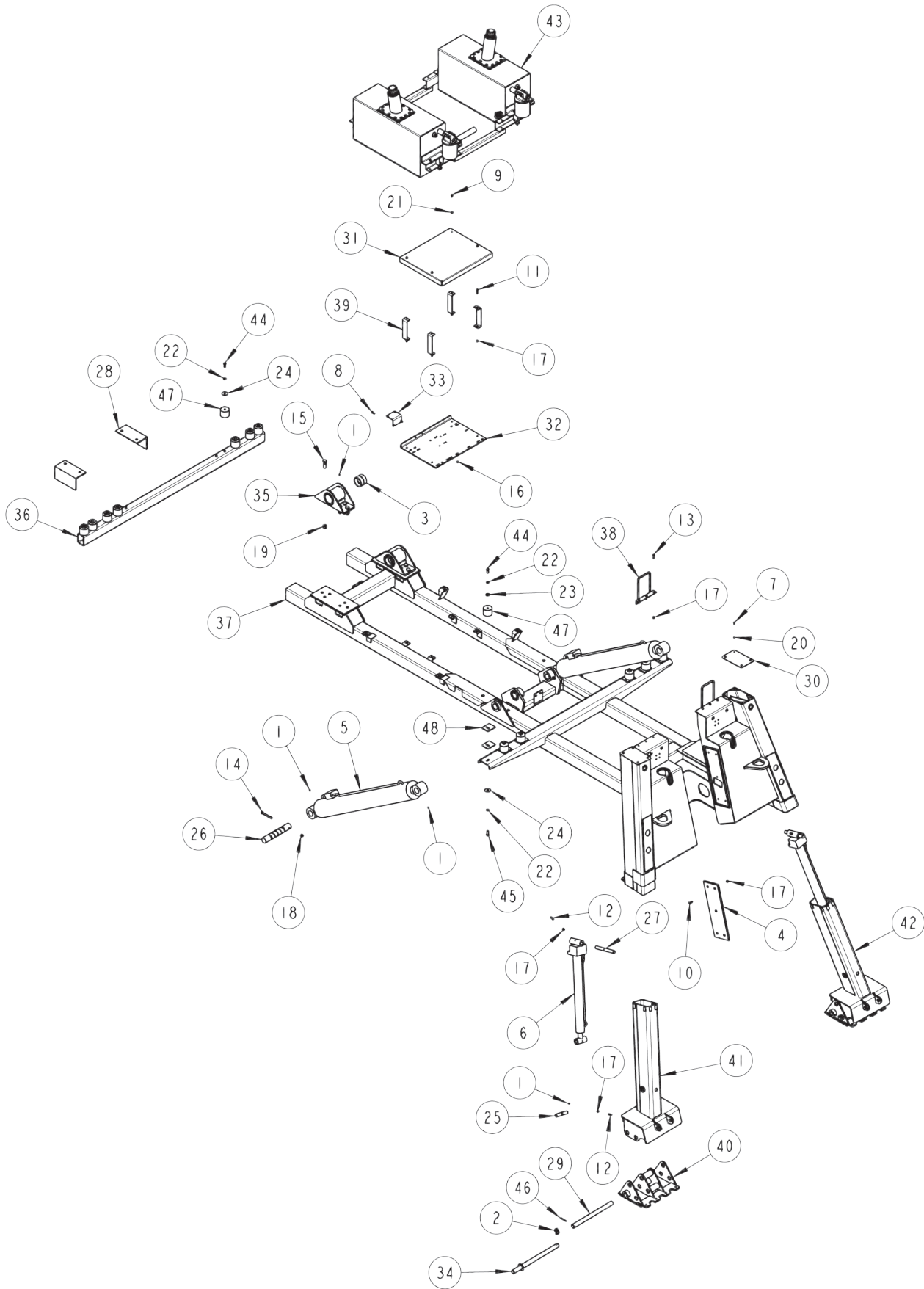
1. **Manual Number & Date of Publication**
2. **Manual Page Number**
3. **Page Title**
4. **Reference Number of Part Desired**
5. **Part Number**
6. **Part Description**
7. **Quantity of Part Desired**

Providing this information will help ensure that the correct parts will be delivered to you in an expedient manner. Should additional information be required for repair or replacement of certain components, contact your Wrecker Manufacturer Authorized Representative.

The Manufacturer reserves the right, without notice or obligation, to improve or modify their products, which may change the specifications, models and feature availability.

Section I - PARTS (cont'd)

SUBFRAME ASSEMBLY



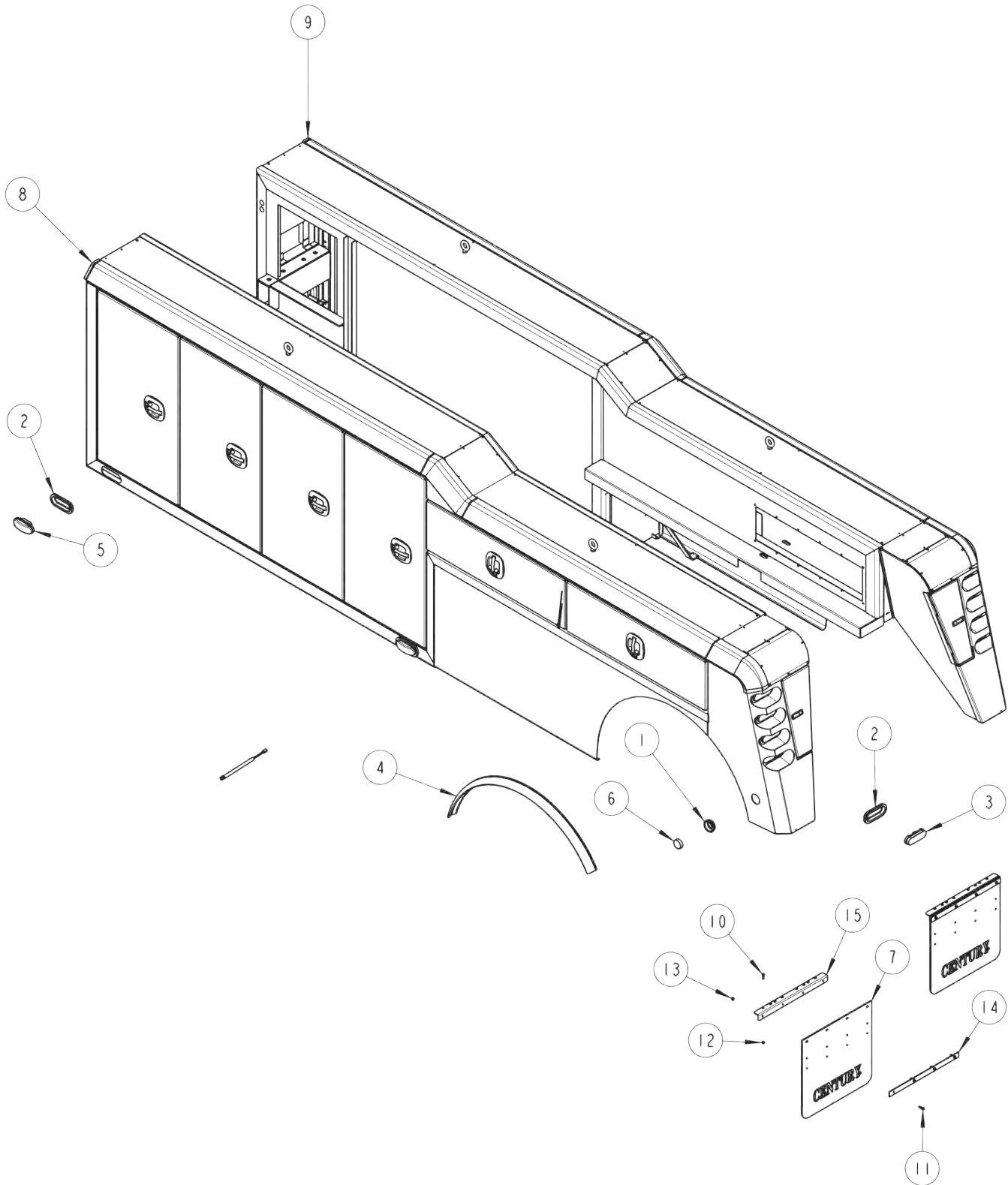
Section I - PARTS (cont'd)

SUBFRAME ASSEMBLY

ITEM	PART NUMBER	DESCRIPTION	QTY
1	0300113	GREASE FITTING, 1/4-28 STRAIGHT	8
2	0301861	QUICK PIN	2
3	0302538	SPRING BUSHING, 3.5OD X 3ID X 2.5	2
4	0303089	RAMP PAD	2
5	0307012	CYLINDER, BOOM LIFT (5035)	2
6	0310013	CYLINDER, HYDRAULIC TI S24023424PPBZ	2
7	0400066	1/4-20 X 3/4 HHCS GR.5,ZP	8
8	0400109	5/16-18 X 1 HHCS GR.5,ZP	2
9	0400121	3/8-16NC X 3/4 HHCS GR. B	4
10	0400128	3/8-16X1.25 FLAT HD SOC	10
11	0400132	3/8-16 X 1 1/2 HHCS GR.5,ZP	4
12	0400139	SCREW, 3/8"-16 X 1-1/2" HEX SKT SET	4
13	0400148	3/8-16 X 1-1/4 HHCS GR5 ZP	6
14	0400219	1/2-13 X 4-1/2 HHCS GR.5 ZP	2
15	0400288	3/4-10 X 2-1/2 HHCS GR.8 GOLD	12
16	0400382	5/16-18 NYLOCK HEX NUT ZP	2
17	0400392	3/8-16 NYLOCK HEX NUT ZP	24
18	0400408	1/2-13 NYLOCK HEX NUT ZP	2
19	0400431	3/4-10 NYLOCK HEX NUT GR.8, ZP	12
20	0400452	1/4 HELICAL LOCK WASHER ZP	8
21	0400482	3/8 HELICAL LOCK WASHER ZP	4
22	0400491	1/2 HELICAL LOCK WASHER ZP	20
23	0400497	1/2 FLAT WASHER GR.8,YZ PLATED	6
24	0400498	WASHER, 1/2' ID X 2" OD X .150	14
25	0705500	SHAFT - LOWER SPADE	2
26	0707118	PIN - LIFT CYLINDER	2
27	0707394	SHAFT - UPPER SPADE	2
28	0710545	HR ANGLE	2
29	0715694	PIN - SPADE PIVOT	2
30	0715796	COVER PLATE	2
31	0717066	COVER - VALVE	1
32	0717827	PLATE - VALVE MOUNTING	1
33	0719122	PLATE - VALVE MTG.	1
34	0804334	PIN, MULTI-POSITION	2
35	0804405	BOOM PIVOT BRKT	2
36	0806004	FRONT TOOLBOX MOUNT	1
37	0806508	SUBFRAME WELDMENT (5130 / 5230)	1
38	0806521	HAND RAIL WLMT	2
39	0807181	COVER SUPPORT WLMT	4
40	0807630	LOWER SPADE PAD WELDMENT	2
41	0807664	INNER SPADE WLMT (LH)	1
42	0807665	INNER SPADE WLMT (RH)	1
43	0907802	KIT - RESERVOIR	1
44	9041402	1/2-13NC X 1 1/4 HHCS, ZP,GR.8	14
45	9041403	1/2-13 X 1-1/2 HHCS GR 8 ZP	6
46	9046354	1/4 X 2-1/2 ROLL PIN ZP	2
47	9402970	TOOLBOX MTG. PAD	14
48	942480011	REAR WASHER PLATE	12

Section I - PARTS (cont'd)

5130 BODY ASSEMBLY



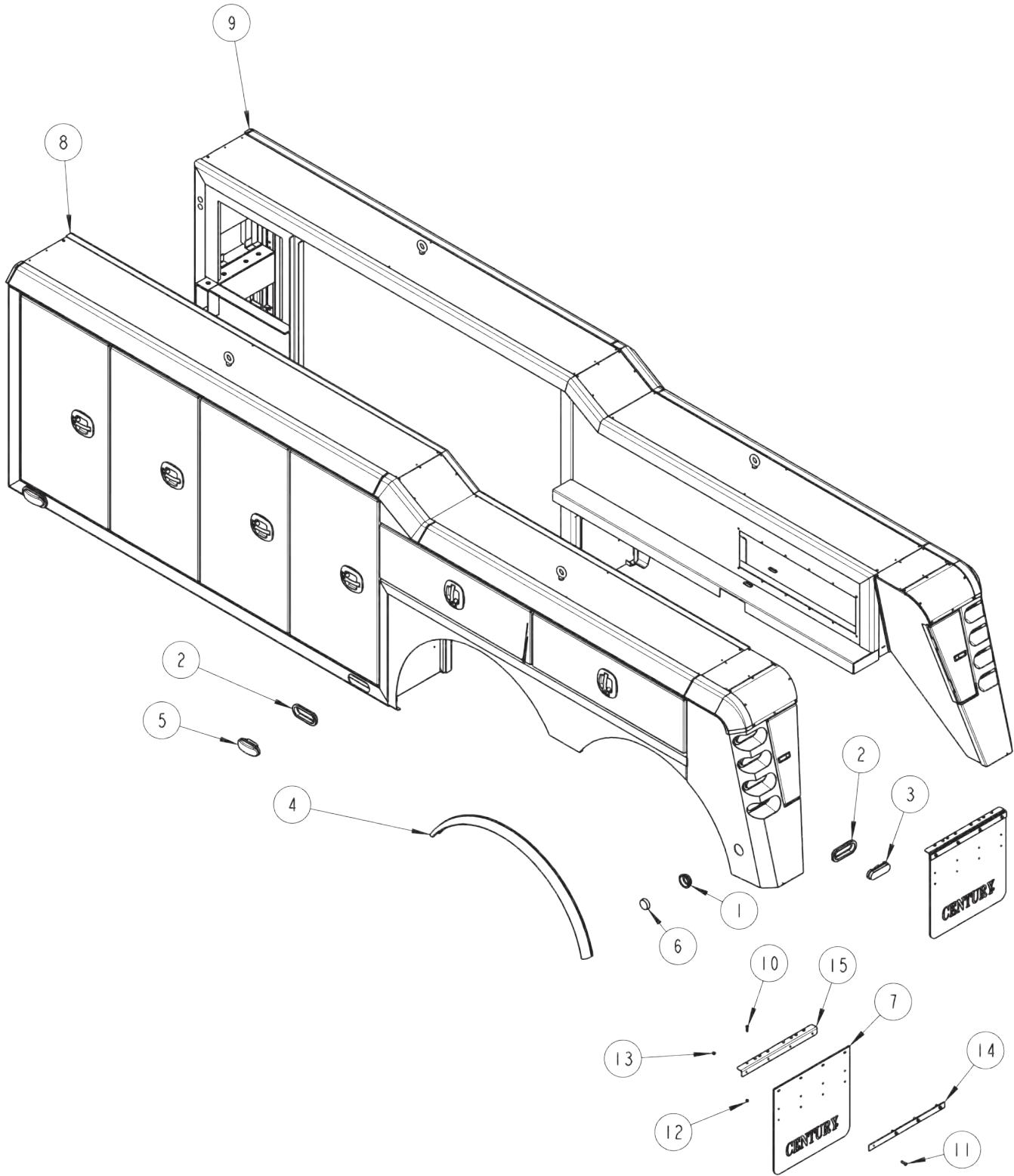
Section I - PARTS (cont'd)

5130 BODY ASSEMBLY

ITEM	PART NUMBER	DESCRIPTION	QTY
1	0303127	GROMMET, MARKER LIGHT	1
2	0303128	GROMMET, TAIL LIGHT	6
3	0306958	STOP/TURN LGHT-RED LED CLR LEN	4
4	0307151	RUBBER FENDER	1
5	0307220	LIGHT OVAL AMBER 60 LED	2
6	0310496	MARKER LAMP, RED 2-1/2" ROUND	1
7	0310631	MUD FLAP	2
8	0310981	TOOLBOX LH AL 206CA 2010	1
9	0310982	TOOLBOX RH AL 206CA 2010	1
10	0400103	5/16-18 X 1 1/4 HHCS GR.5, ZP	16
11	0400148	3/8-16 X 1-1/4 HHCS GR5 ZP	8
12	0400382	5/16-18 NYLOCK HEX NUT ZP	16
13	0400392	3/8-16 NYLOCK HEX NUT ZP	8
14	0717386	BAR - MUDFLAP	2
15	0718139	ANGLE - MUD FLAP MOUNT	2

Section I - PARTS (cont'd)

5230 BODY ASSEMBLY



Section I - PARTS (cont'd)

5230 BODY ASSEMBLY

ITEM	PART NUMBER	DESCRIPTION	QTY
1	0303127	GROMMET, MARKER LIGHT	1
2	0303128	GROMMET, TAIL LIGHT	6
3	0306958	STOP/TURN LGHT-RED LED CLR LEN	4
4	0307151	RUBBER FENDER	1
5	0307220	LIGHT OVAL AMBER 60 LED	2
6	0310496	MARKER LAMP, RED 2-1/2" ROUND	1
7	0310631	MUD FLAP	2
8	0310942	LH 180 CB TANDEM AL. BODY	1
9	0310943	RH 180 CB TANDEM AL. BODY	1
10	0400103	5/16-18 X 1 1/4 HHCS GR.5, ZP	16
11	0400148	3/8-16 X 1-1/4 HHCS GR5 ZP	8
12	0400382	5/16-18 NYLOCK HEX NUT ZP	16
13	0400392	3/8-16 NYLOCK HEX NUT ZP	8
14	0717386	BAR - MUDFLAP	2
15	0718139	ANGLE - MUD FLAP MOUNT	2

Section I - PARTS (cont'd)

RECOVERY BOOM ASSEMBLY

ITEM	PART NUMBER	DESCRIPTION	QTY
1	3012-793001	PLATE - LUBE MTG	1
2	0300113	GREASE FITTING, 1/4-28 STRAIGHT	6
3	0301895	GREASE FITTING, 1/8 NPT STRAIGHT	1
4	0301959	SNAP RING - 1.5 INTERNAL	2
5	0303490	WEAR PAD (1/2 X 1 X 4)	2
6	0307082	CYLINDER - BOOM EXTEND	1
7	0400059	1/4-20 X 5/8 HHCS GR 5 ZP	2
8	0400121	3/8-16NC X 3/4 HHCS GR. B	4
9	0400132	3/8-16 X 1 1/2 HHCS GR.5,ZP	2
10	0400133	3/8-16 X 3 HHCS GR.5,ZP	4
11	0400176	1/2-13 X 1 HHCS GR.5,ZP	2
12	0400181	1/2-13 X 1-1/2 HHCS GR 5 ZP	2
13	0400220	1/2-13 X 5-1/2 HHCS GR5 ZP	2
14	0400262	5/8-11 X 2 1/2 HHCS GR.8,ZP	16
15	0400392	3/8-16 NYLOCK HEX NUT ZP	10
16	0400408	1/2-13 NYLOCK HEX NUT ZP	4
17	0400426	5/8-11 NYLOCK NUT GR.8 ZP	16
18	0400452	1/4 HELICAL LOCK WASHER ZP	2
19	0400482	3/8 HELICAL LOCK WASHER ZP	6
20	0400491	1/2 HELICAL LOCK WASHER ZP	2
21	0400492	1/2 FLAT WASHER ZP	2
22	0400990	1/2-13 X 1/2 SKT HD SET SCREW ZP	4
23	0705104	PLATE - SUPPORT	1
24	0707580	PIN - SPADE CYLINDER - ROD CH-50	1
25	0711164	BLOCK - SHEAR	8
26	0712380	"D" RING	1
27	0715947	ANGLE - WINCH MOUNTING	2
28	0715948	ANGLE - WINCH MOUNTING	2
29	0715949	ANGLE - WINCH MOUNTING	2
30	0715950	ANGLE - WINCH MOUNTING	2
31	0715953	PIN - BOOM PIVOT	1
32	0716763	SHAFT	1
33	0802219	PIN - LIFT CYLINDER PIVOT	2
34	0802365	PIN-TOWER PIVOT WLMT	2
35	0805876	OUTER BOOM WLMT - 5130/5230	1
36	0906530	BOOM SWIVEL ASSEMBLY	2
37	9012549	CONNECTOR, 3/8 TUBE X 1/8 NPT	2
38	9012552	BULKHEAD COUPLING, 1/8	1
39	9012584	ELBOW, 1/4 NPT X 3/8 TUBE 90	1
40	9044434	3/8-16X1 NC FLAT	2
41	9048248	WINCH DP 2-SPD 25K NARROW DRUM	1
42	9056150	RETAINING RING, 1-1/2"	2
43	915030004	WEAR PAD	1
44	915040001	PAD RETAINING PLATE	1
45	915040400	TOP SPIDER CLAMP ASSY ~ BOOM ASSY	1
46	915040501	BOTTOM CLAMP ANGLE - EXT. CYL. ASSY	2
47	916040004	WEAR PAD - LOWER	1
48	916350001	PIN - BOOM EXT. CYL. FR.	1
49	BA0259	PIN, 'D' RING	1
50	HD0106	1/4 X 1-3/4 ROLL PIN ZP	1
51	0301949	3/8" OD AIRLINE, SYNDFLEX	1

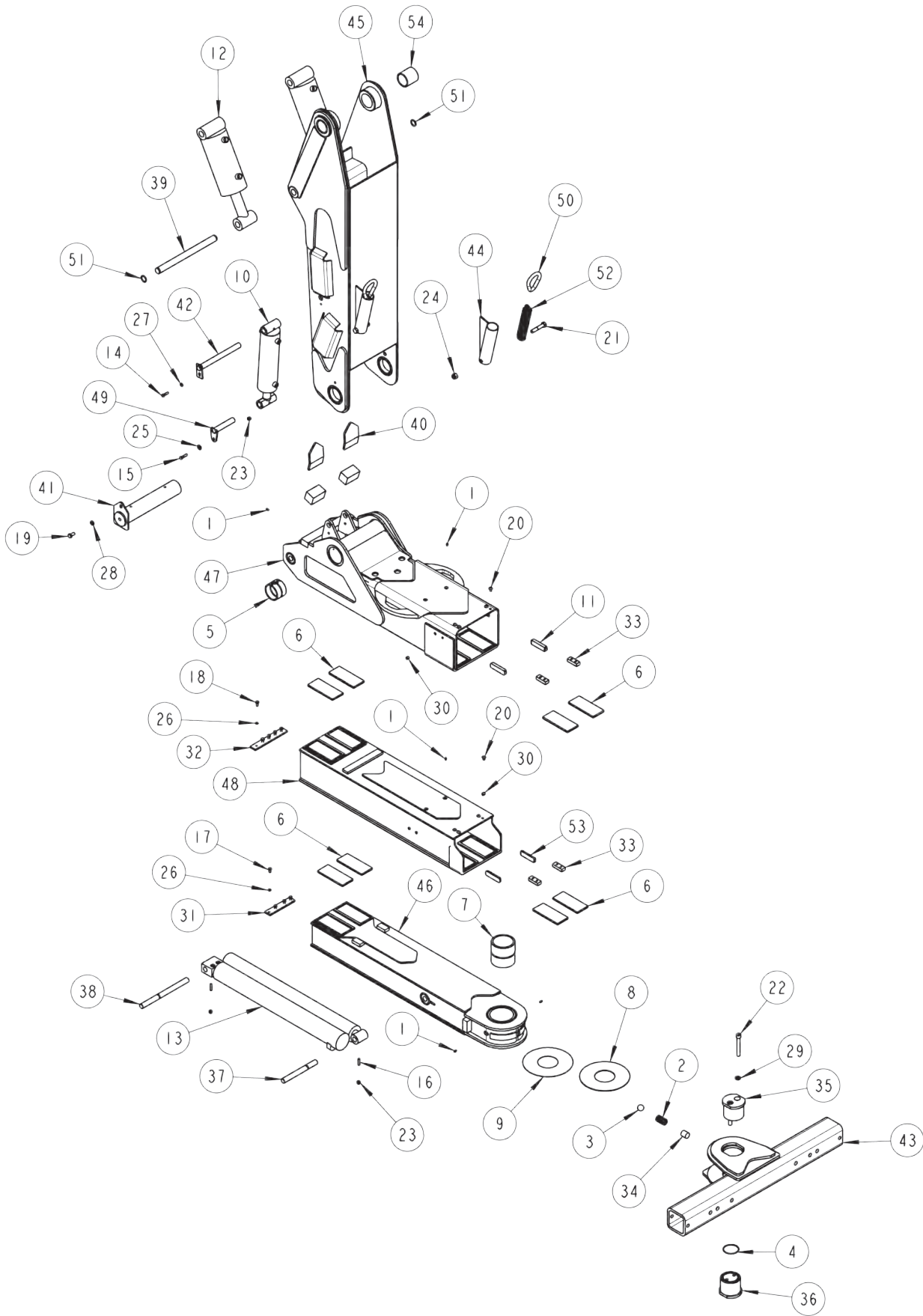
Section I - PARTS (cont'd)

UNDERLIFT & TOWER ASSEMBLY

ITEM	PART NUMBER	DESCRIPTION	QTY
1	0300113	GREASE FITTING, 1/4-28 STRAIGHT	8
2	0301197	DETENT SPRING	1
3	0301398	DETENT BALL	1
4	0301822	O-RING, PIVOT PIN	1
5	0302538	SPRING BUSHING, 3.5OD X 3ID X 2.5	2
6	0302561	SLIDE PAD	8
7	0303088	BUSHING, PIVOT PIN	1
8	0303097	THRUST WASHER, 1/8" THICK	1
9	0303098	THRUST WASHER, 1/16" THICK	1
10	0306746	CYLINDER - HYDRAULIC FOLD	1
11	0307013	PAD - WEAR	2
12	0307040	CYL - U/L TILT	2
13	0307041	U/L EXTEND CYLINDER	1
14	0400122	3/8-16 X 1 1/4 HHCS GR.5,ZP	1
15	0400132	3/8-16 X 1 1/2 HHCS GR.5,ZP	1
16	0400139	SCREW, 3/8"-16 X 1-1/2" HEX SKT SET	2
17	0400147	3/8-24X 5/8 HHCS GR5 ZP	4
18	0400151	3/8-24 X 3/4 HHCS GR5 ZP	5
19	0400176	1/2-13 X 1 HHCS GR.5,ZP	1
20	0400228	SCREW, 3/8"-24 X 5/8" BUTTON HEAD SKT	8
21	0400257	5/8-11 X 3-1/4 HHCS GR5 ZP	2
22	0400271	SCREW, 5/8"-11 X 4-1/2" SKT HD CAP	2
23	0400392	3/8-16 NYLOCK HEX NUT ZP	3
24	0400421	5/8-11 NYLOCK HEX NUT ZP	2
25	0400480	3/8 FLAT WASHER ZP	1
26	0400481	LOCKWASHER, 3/8" EXT TOOTH	9
27	0400482	3/8 HELICAL LOCK WASHER ZP	1

Section I - PARTS (cont'd)

UNDERLIFT & TOWER ASSEMBLY (cont'd)



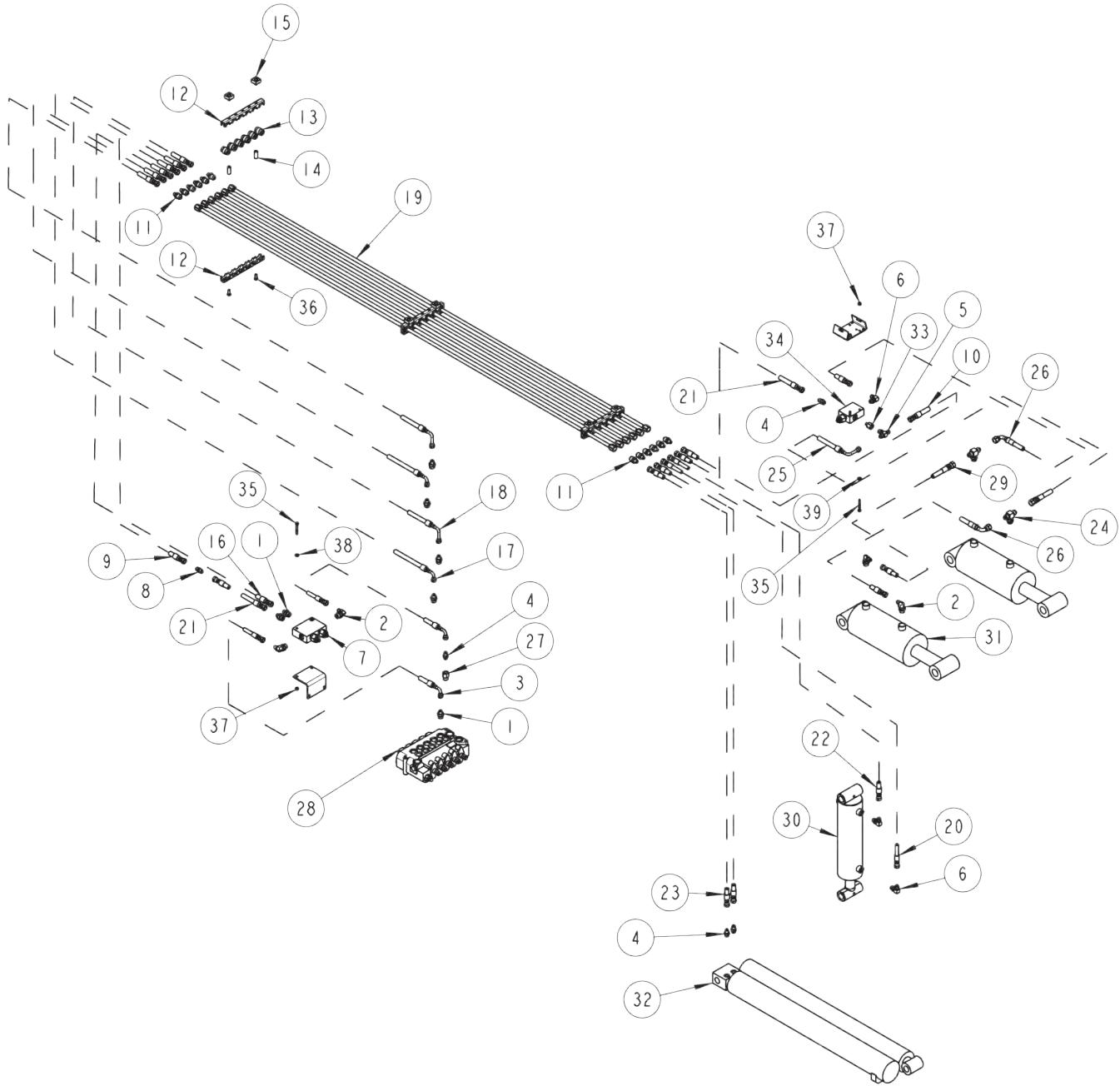
Section I - PARTS (cont'd)

UNDERLIFT & TOWER ASSEMBLY (cont'd)

ITEM	PART NUMBER	DESCRIPTION	QTY
28	0400491	1/2 HELICAL LOCK WASHER ZP	1
29	0400508	5/8 HELICAL LOCK WASHER ZP	2
30	0400990	1/2-13 x 1/2 SKT HD SET SCREW ZP	8
31	0706996	SPACER PAD	1
32	0707028	PAD, BEARING	1
33	0707034	STOP PLATE	4
34	0708470	SPACER - DETENT BALL	1
35	0710051	PIVOT PIN, TOP HALF	1
36	0710052	PIVOT PIN, BOTTOM HALF	1
37	0716745	EXTEND CYLINDER SHAFT	1
38	0716746	EXTEND CYLINDER SHAFT	1
39	0716870	SHAFT	1
40	0717657	PLATE - STOP BLOCK SUPPORT	2
41	0802214	PIN-UNDERLIFT PIVOT	1
42	0802459	PIN-FOLD CYL. WLDMT	1
43	0802914	CROSSBAR WELDMENT	1
44	0804483	CABLE TIE BACK WLMT	2
45	0805884	TOWER WLMT	1
46	0805885	3rd STAGE BOOM WLMT	1
47	0805894	OUTER U/L BOOM WLMT	1
48	0805895	2nd STAGE U/L BOOM WLMT	1
49	0806756	PIN WELDMENT - FOLD CYLINDER	1
50	9048800	5/8 WELDLESS CHAIN LINK	2
51	9056125	SNAP RING - 1-1/4" HEAVY DUTY	2
52	945030007	SPRING - HOSE TENSIONER	2
53	BK2003	PAD-WEAR	2
54	RB0205	SPLIT BUSHING	2

Section I - PARTS (cont'd)

UNDERLIFT HYDRAULICS



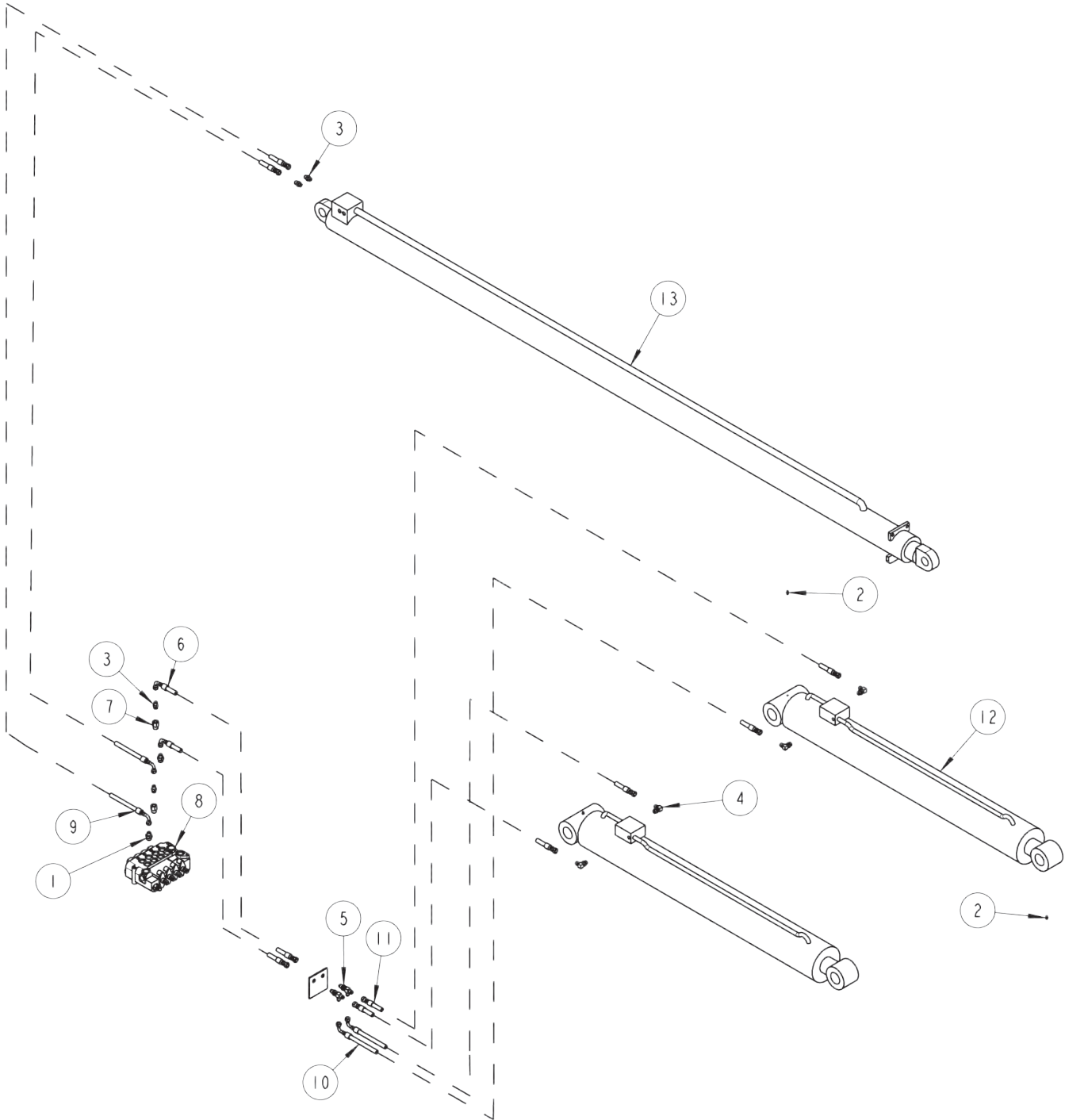
Section I - PARTS (cont'd)

UNDERLIFT HYDRAULICS

ITEM	PART NUMBER	DESCRIPTION	QTY
1	0300044	CONNECTOR 6MJX8MB	7
2	0301470	FITTING - HYDRAULIC ELBOW 6MJ-8MB90	4
3	0301473	HOSE ASSEMBLY, 18" LG	2
4	0301522	CONNECTOR 6MJ-6MB	4
5	0301619	BRANCH TEE, 6MJ-6MJ-6MB	1
6	0301620	FITTING, ELBOW, 6MJ-6MB90	3
7	0301730	DOUBLE HOLDING VALVE	1
8	0301837	INLINE ORIFICE	1
9	0302000	HOSE ASSY - 24" LG	1
10	0302035	HOSE ASSEMBLY, 18" LG	1
11	0302514	ADAPTER, 8MJ-6MJ	12
12	0302548	CLAMPING UNIT (SET) HC-10-6	6
13	0302549	SPLIT BUSH RUBBER C-SB10-8 1/2	18
14	0302551	SOCKET HEAD C-SN-10	6
15	0302552	WELD ADAPTER, C-WA-10	6
16	0302596	HOSE ASSY - 34" LG	1
17	0302604	HOSE ASSY - 44" LG	2
18	0302605	HOSE ASSEMBLY - 44" LG	2
19	0302624	TUBE ASSEMBLY	6
20	0302637	HOSE ASSEMBLY - 72" LG	1
21	0302805	HOSE ASSY - 10" LG	2
22	0302812	HOSE ASSY - 78" LG.	1
23	0302813	HOSE ASSY - 108" LG	2
24	0302842	ELBOW, 8MJ-8MB90	2
25	0302914	HOSE ASSEMBLY, 35" LG	1
26	0302915	HOSE ASSEMBLY, 12" LG	2
27	0303017	CONNECTOR 8MBX6FB	1
28	0303094	VALVE, 5 SPOOL PARKER	1
29	0303563	HOSE ASSEMBLY, 27" LG	1
30	0306746	CYLINDER - HYDRAULIC FOLD	1
31	0307040	CYL - U/L TILT	2
32	0307041	U/L EXTEND CYLINDER	1
33	0307106	CONNECTOR 4MBX6FB	1
34	0307107	VALVE HOLDING 4000 PSI SAE	1
35	0400078	1/4-20 X 2 HHCS GR5 ZP	4
36	0400118	5/16-18 X 3/4 HHCS GR.5 ZP	6
37	0400367	1/4-20 NYLOCK HEX NUT ZP	4
38	0400451	1/4 FLAT WASHER ZP	2
39	0402110	1/4 FLATWASHER 316 STAINLESS	2

Section I - PARTS (cont'd)

RECOVERY BOOM HYDRAULICS



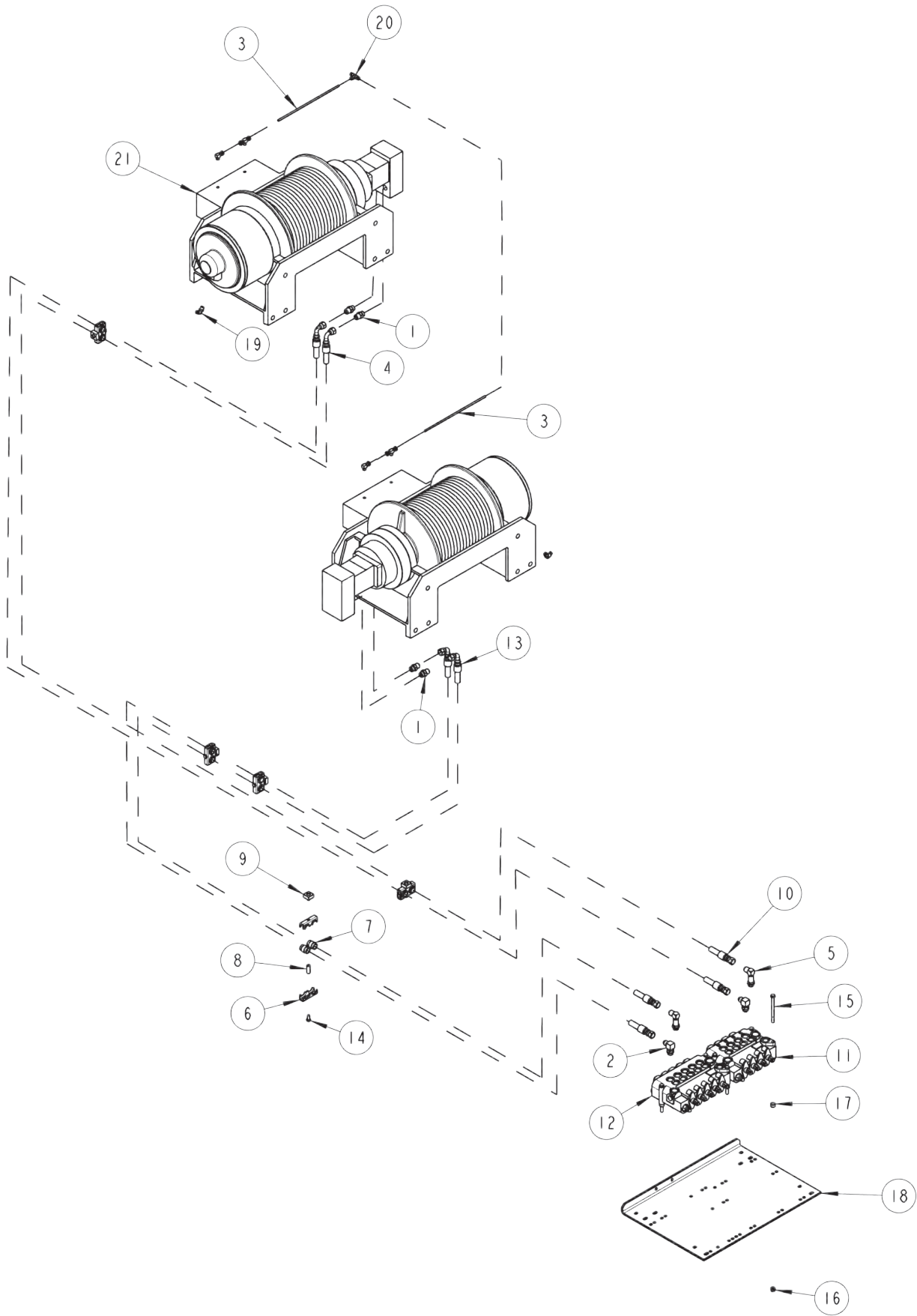
Section I - PARTS (cont'd)

RECOVERY BOOM HYDRAULICS

ITEM	PART NUMBER	DESCRIPTION	QTY
1	0300044	CONNECTOR 6MJX8MB	2
2	0300113	GREASE FITTING, 1/4-28 STRAIGHT	4
3	0301522	CONNECTOR 6MJ-6MB	4
4	0301620	FITTING, ELBOW, 6MJ-6MB90	4
5	0302575	BLKHD RUN TEE, 6MJ-6BLKHD-6MJ W/NUT	2
6	0302585	HOSE ASSEMBLY - 54" LG	2
7	0303017	CONNECTOR 8MBX6FB	2
8	0303093	CONTROL VALVE, VDP11DDDC110	1
9	0303170	HOSE ASSY - 75" LG.	2
10	0303389	HOSE ASSY - 46" LG.	2
11	0303394	HOSE ASSEMBLY - 46" LG	2
12	0307012	CYLINDER, BOOM LIFT (5035)	2
13	0307082	CYLINDER - BOOM LIFT	1

Section I - PARTS (cont'd)

WINCH HYDRAULICS & AIR FREE SPOOL



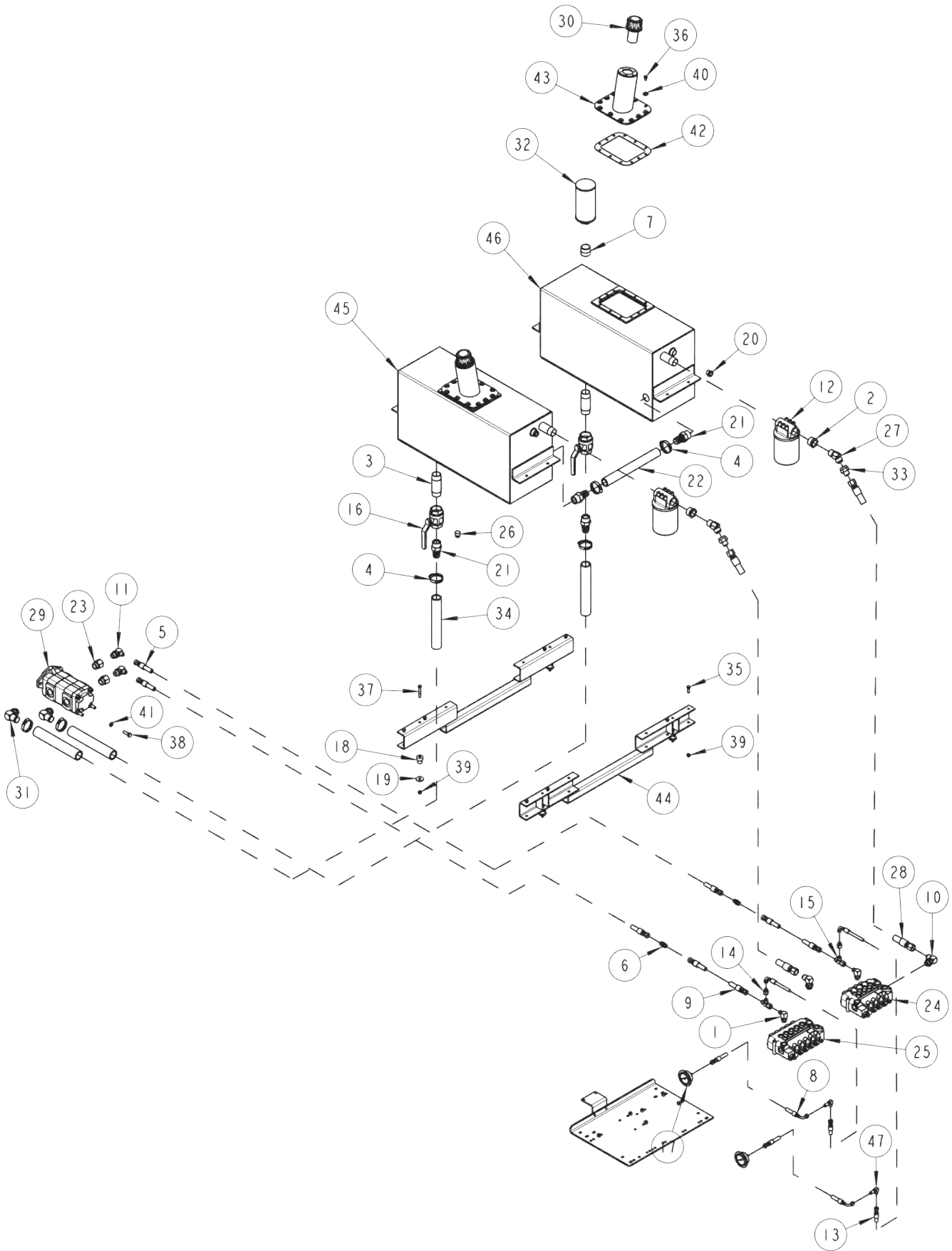
Section I - PARTS (cont'd)

WINCH HYDRAULICS & AIR FREE SPOOL

ITEM	PART NUMBER	DESCRIPTION	QTY
1	0300041	CONNECTOR 8MJX8MB	4
2	0301388	ELBOW, 8MJ-8MB90	2
3	0301577	TUBING- PLASTIC 1/4 OD X 5" AIR LINE	2
4	0301893	HOSE ASSEMBLY - 84" LG	2
5	0302508	ELBOW, 8MJ-8MB90LL	2
6	0302546	CLAMPING UNIT (SET) HC-10-2	10
7	0302550	SPLIT BUSH RUBBER C-SB10-12 3/4	10
8	0302551	SOCKET HEAD C-SN-10	5
9	0302552	WELD ADAPTER, C-WA-10	5
10	0302955	HOSE ASSY - 48 1/4"	4
11	0303093	CONTROL VALVE, VDP11DDDC110	1
12	0303094	VALVE, 5 SPOOL PARKER	1
13	0303391	HOSE ASSY - 110"	2
14	0400118	5/16-18 X 3/4 HHCS GR.5 ZP	5
15	0400135	3/8-16 X 4-1/2 HHCS GR 5 ZP	6
16	0400392	3/8-16 NYLOCK HEX NUT ZP	6
17	0704045	SPACER, CONTROL VALVE	6
18	0717827	PLATE - VALVE MOUNTING	1
19	9010520	FITTING - ELBOW,1/4T-1/4NPT MALE	2
20	9011071	FITTING,BRASS TEE 1/4T-1/4T-1/4T	1
21	9048248	WINCH DP 2-SPD 25K NARROW DRUM	1

Section I - PARTS (cont'd)

PUMP, VALVE & FILTER HYDRAULICS



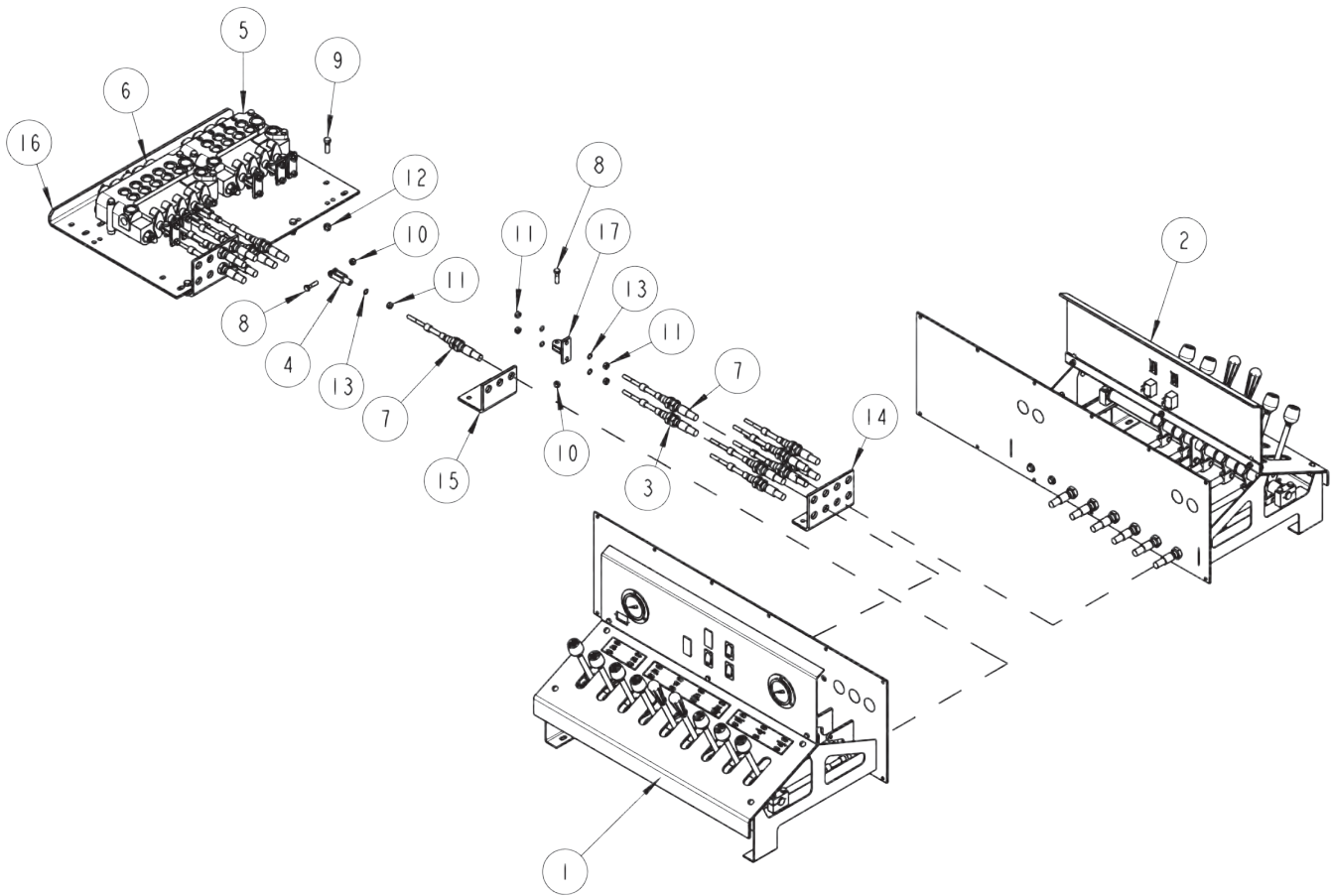
Section I - PARTS (cont'd)

PUMP, VALVE & FILTER HYDRAULICS

ITEM	PART NUMBER	DESCRIPTION	QTY
1	0300052	ELBOW, 8MJ-10MB90	2
2	0300287	PIPE BUSHING, 1 1/4" TO 1" NPT REDUCER	2
3	0300348	NIPPLE - 1-1/2 X 5	2
4	0300364	HOSE CLAMP, 7/8" TO 2-3/4"	6
5	0300660	HOSE ASSEMBLY - 120" LG	2
6	0300865	ADAPTER, 8MJ-6MJ	2
7	0301350	PIPE, 1-1/2" CLOSE NIPPLE	2
8	0301473	HOSE ASSEMBLY, 18" LG	2
9	0301529	HOSE ASSEMBLY - 58 LG.	2
10	0301545	ELBOW, 12MJ-12MB90	2
11	0301547	ELBOW, 8MJ-12MB90	2
12	0301894	FILTER ASSEMBLY, SPIN ON	2
13	0301965	HOSE ASSEMBLY, 131" LG.	2
14	0301995	ADAPTER, 8FJ-6MJ STRAIGHT	2
15	0302052	RUN TEE, 8MJ-8MJ-8FJX	2
16	0302088	BALL VALVE - 1 1/2 BRONZE	2
17	0302205	GAUGE, FLUSH MOUNT 6000 PSI	2
18	0302227	CENTER BONDED MOUNT	4
19	0302228	SPECIAL WASHER	4
20	0302570	SIGHT GAUGE	2
21	0302698	HOSE BARB, 1-1/4"	4
22	0302756	SUCTION HOSE, 1-1/4" ID (100R4)	1
23	0302906	ADAPTER, 16MB-12FB	2
24	0303093	CONTROL VALVE, VDP11DDDC110	1
25	0303094	VALVE, 5 SPOOL PARKER	1
26	0303155	PIPE PLUG - 3/4 NPT (MAGNETIC)	2
27	0303338	ELBOW, 16MJ-16MP45	2
28	0303392	HOSE ASSEMBLY - 73" LG	2
29	0303867	PUMP, BI-ROTATIONAL	1
30	0305006	FILLER CAP	2
31	0306539	HOSE BARB, 20HOSE-16MB90	2
32	0307344	SUCTION STRAINERS	2
33	0307345	CONNECTOR, 16MJ-20MP	2
34	0310010	SUCTION HOSE, 1-1/2" I.D. 100R4	2
35	0400122	3/8-16 X 1 1/4 HHCS GR.5,ZP	8
36	0400149	3/8-16 X 5/8 HHCS GR5 ZP	24
37	0400150	3/8-16 X 2-1/2 HHCS GR5 ZP	4
38	0400181	1/2-13 X 1-1/2 HHCS GR 5 ZP	2
39	0400392	3/8-16 NYLOCK HEX NUT ZP	12
40	0400480	3/8 FLAT WASHER ZP	24
41	0400491	1/2 HELICAL LOCK WASHER ZP	2
42	0706114	GASKET - CLEANOUT & FILLER COVER	2
43	0802747	FILLER PIPE WELD'T	2
44	0803193	SUPPORT - RESERVOIR WELDMENT	2
45	0806653	RESERVOIR LEFT WELDMENT	1
46	0806654	RESERVOIR RIGHT WELDMENT	1
47	FC41	ELBOW - BULKHEAD	2

Section I - PARTS (cont'd)

LEFT & RIGHT CONTROL ASSEMBLY



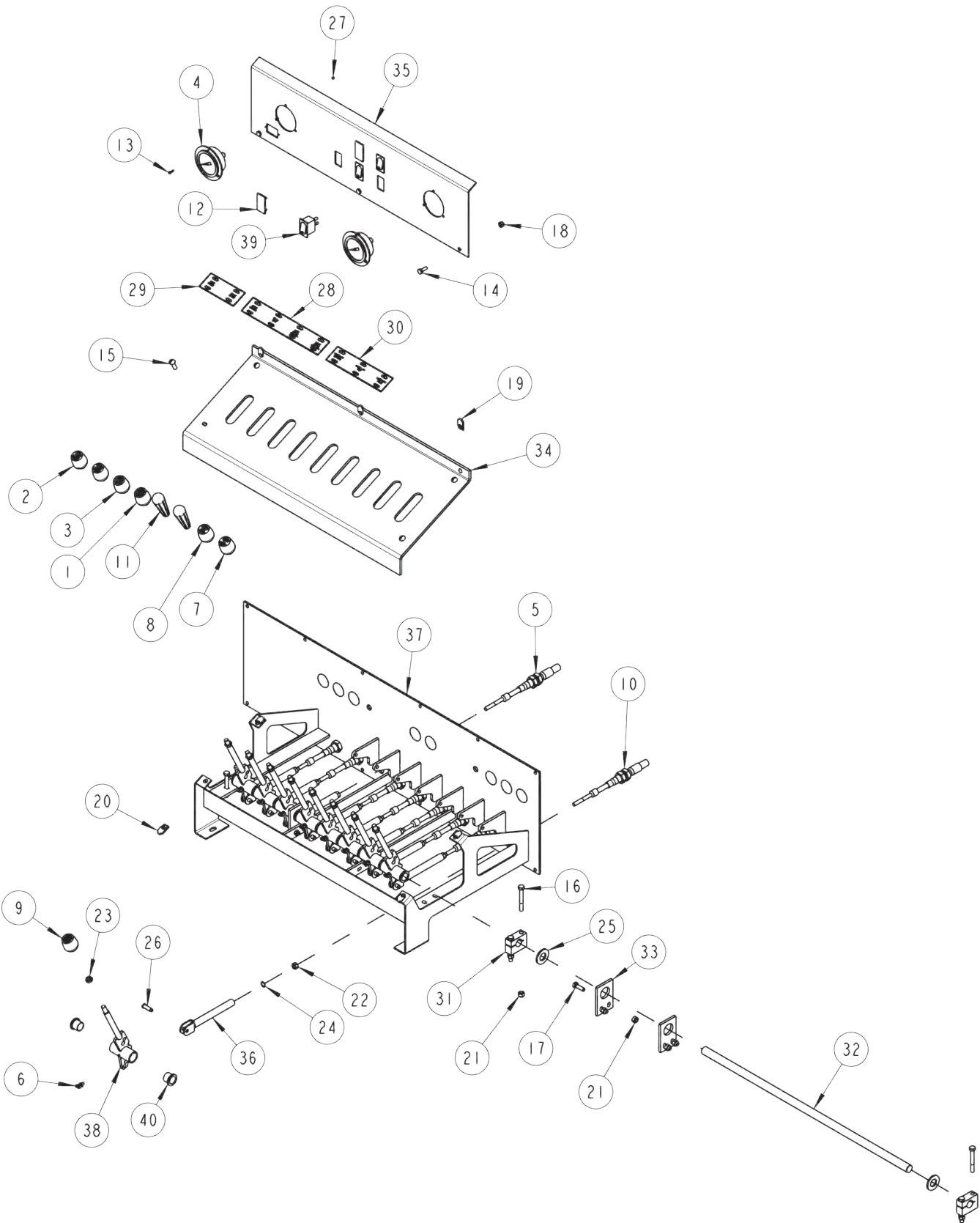
Section I - PARTS (cont'd)

LEFT & RIGHT CONTROL ASSEMBLY

ITEM	PART NUMBER	DESCRIPTION	QTY
1	0907288	5230 CONTROL ASSEMBLY 9 HANDLES	1
2	0907289	5230 CONTROL ASSEMBLY RH 6H	1
3	0302457	CONTROL CABLE	5
4	0303008	CLEVIS - ADJUSTABLE	3
5	0303093	CONTROL VALVE, VDP11DDDC110	1
6	0303094	VALVE, 5 SPOOL PARKER	1
7	0303427	CONTROL CABLE	10
8	0400103	5/16-18 X 1 1/4 HHCS GR.5, ZP	9
9	0400122	3/8-16 X 1 1/4 HHCS GR.5,ZP	6
10	0400382	5/16-18 NYLOCK HEX NUT ZP	11
11	0400383	5/16-24 HEX NUT ZP	27
12	0400392	3/8-16 NYLOCK HEX NUT ZP	12
13	0400466	LOCKWASHER, 5/16" INTERNAL TOOTH	27
14	0711249	PLATE - CONTROL BOX	2
15	0711250	PLATE - CONTROL BOX	1
16	0717827	PLATE - VALVE MOUNTING	1
17	0801054	CONNECTOR - CONTROL CABLE	6

Section I - PARTS (cont'd)

LEFT CONTROL ASSEMBLY

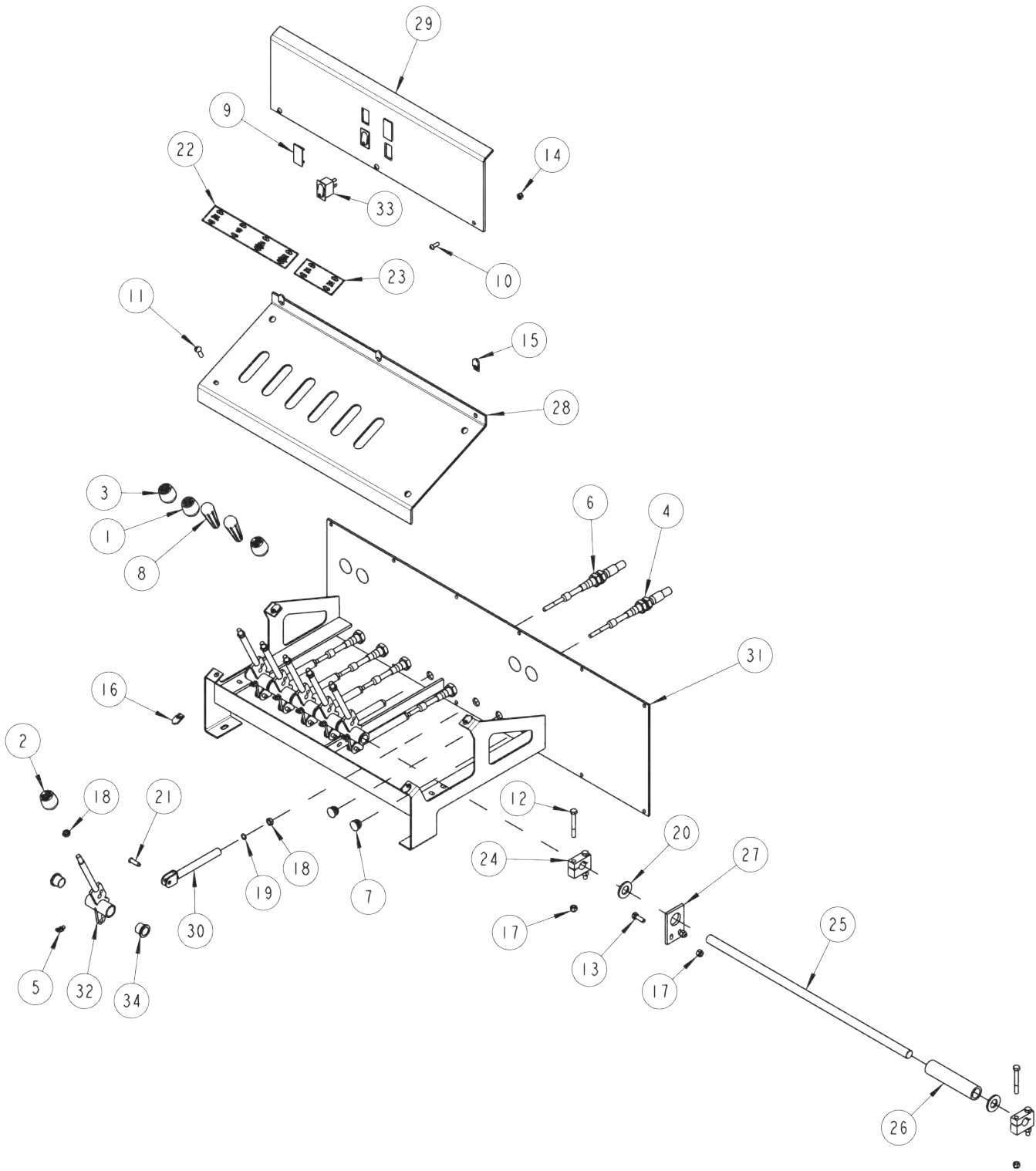


Section I - PARTS (cont'd)

LEFT CONTROL ASSEMBLY

ITEM	PART NUMBER	DESCRIPTION	QTY
1	0300835	KNOB, BOOM (UP-DN)	1
2	0300836	KNOB, JACK (UP-DN)	2
3	0300837	KNOB, BOOM (IN-OUT)	1
4	0302205	GAUGE, FLUSH MOUNT 6000 PSI	2
5	0302457	CONTROL CABLE	3
6	0302726	GREASE FITTING, 1/4"-28 X 45°	17
7	0302856	KNOB, TILT (UP-DN)	1
8	0302917	KNOB, WHL LIFT EXT (IN-OUT)	1
9	0303382	KNOB, FOLD (UP-DN)	1
10	0303427	CONTROL CABLE	6
11	0307604	KNOB - RED LONG	2
12	0307778	PLUG, FILLER	2
13	0400005	#6-32 X .5 FLAT HEAD PHILLIPS	6
14	0400066	1/4-20 X 3/4 HHCS GR.5,ZP	5
15	0400101	SCREW, 5/16"-18 X 1" RD HD SLOTTED SS	4
16	0400107	5/16-2.5 X 2-1/2 HHCS	6
17	0400109	5/16-18 X 1 HHCS GR.5,ZP	4
18	0400367	1/4-20 NYLOCK HEX NUT ZP	5
19	0400369	1/4 "J" TYPE TINNERMAN	3
20	0400379	CLIP, 5/16" "J" TYPE TINNERMAN	4
21	0400382	5/16-18 NYLOCK HEX NUT ZP	10
22	0400383	5/16-24 HEX NUT ZP	9
23	0400393	3/8"-16 HEX JAM NUT	17
24	0400466	LOCKWASHER, 5/16" INTERNAL TOOTH	9
25	0400512	3/4 FLAT WASHER (SPECIAL)	2
26	0400527	CLEVIS PIN, 5/16" X 5/8" COTTERLESS	9
27	0402094	HEX NUT & STAR WASHER, #8-32 ZP	6
28	0500914	DECAL- CONTROL PANEL WRECKER	1
29	0500915	DECAL - CTROL PANEL SPADE	1
30	0500916	DECAL - CONTROL PANEL UNDERLIFT	1
31	0711235	CLAMP - SHAFT	2
32	0717198	PIN - CONTROL HANDLE (9)	1
33	0717461	PLATE - SHAFT SUPPORT	3
34	0723230	PANEL - CONTROL (9)	1
35	0723233	PANEL - GAUGE (9 HDL, STD)	1
36	0806006	CLEVIS WELDMENT	9
37	0806007	CONTROL FRAME WELDMENT (9) HANDLE	1
38	0806515	CONTROL HANDLE WELDMENT	9
39	9024041	MCGILL SWITCH	3
40	9053524	BRONZE BUSHING (.752 X .879 X .750)	18

Section I - PARTS (cont'd)
RIGHT CONTROL ASSEMBLY (OPTIONAL)



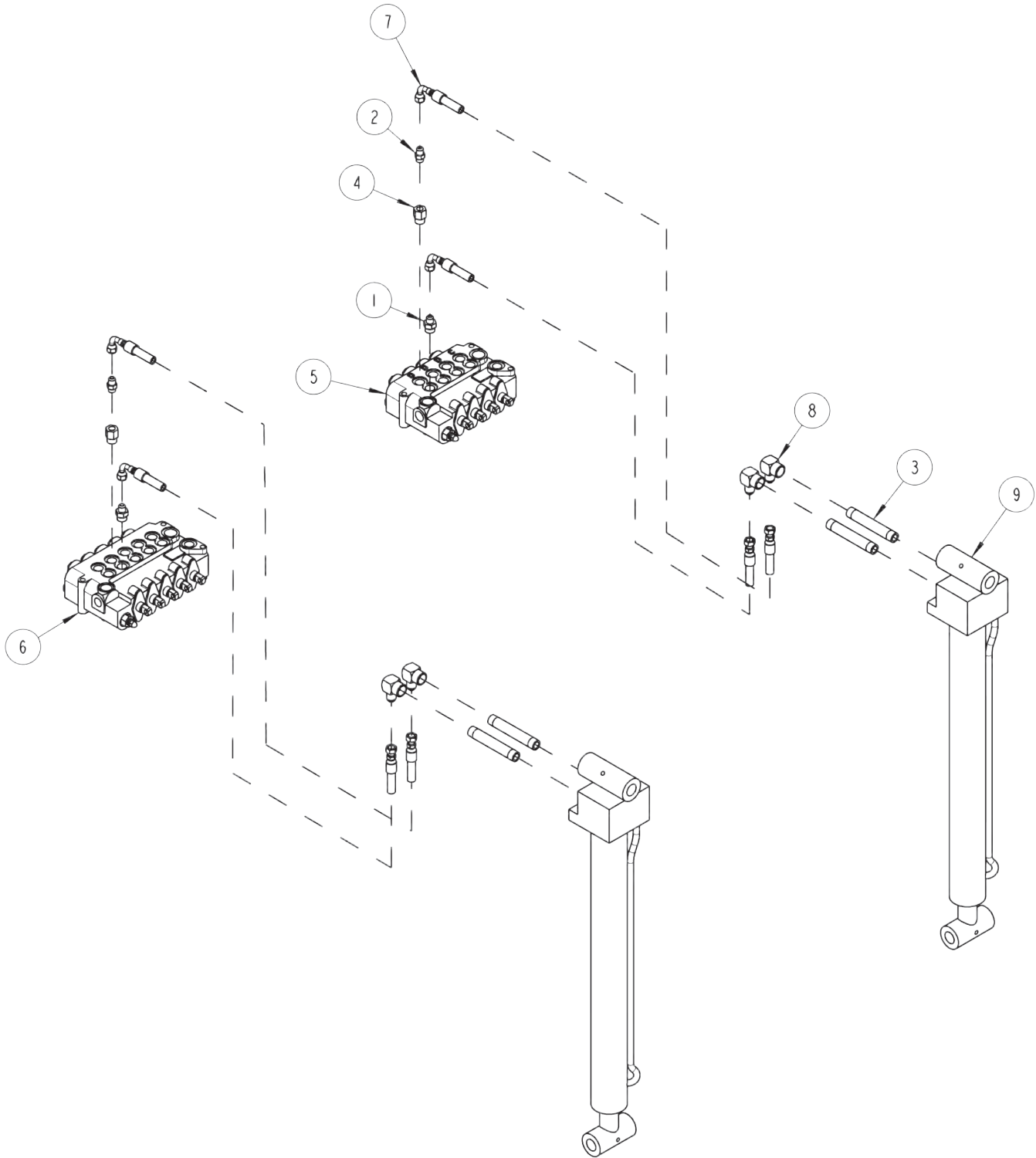
Section I - PARTS (cont'd)

RIGHT CONTROL ASSEMBLY (OPTIONAL)

ITEM	PART NUMBER	DESCRIPTION	QTY
1	0300835	KNOB, BOOM (UP-DN)	1
2	0300836	KNOB, JACK (UP-DN)	2
3	0300837	KNOB, BOOM (IN-OUT)	1
4	0302457	CONTROL CABLE	2
5	0302726	GREASE FITTING, 1/4"-28 X 45°	6
6	0303427	CONTROL CABLE	4
7	0307166	PLUG 7/8	2
8	0307604	KNOB - RED LONG	2
9	0307778	PLUG, FILLER	2
10	0400061	SCREW, 1/4"-20 X 2 1/4" RD HD PHIL SS	3
11	0400101	SCREW, 5/16"-18 X 1" RD HD SLOTTED SS	4
12	0400107	5/16-2.5 X 2-1/2 HHCS	4
13	0400109	5/16-18 X 1 HHCS GR.5,ZP	2
14	0400367	1/4-20 NYLOCK HEX NUT ZP	3
15	0400369	1/4 "J" TYPE TINNERMAN	3
16	0400379	CLIP, 5/16" "J" TYPE TINNERMAN	4
17	0400382	5/16-18 NYLOCK HEX NUT ZP	6
18	0400393	3/8"-16 HEX JAM NUT	12
19	0400466	LOCKWASHER, 5/16" INTERNAL TOOTH	6
20	0400512	3/4 FLAT WASHER (SPECIAL)	2
21	0400527	CLEVIS PIN, 5/16" X 5/8" COTTERLESS	6
22	0500914	DECAL- CONTROL PANEL WRECKER	1
23	0500915	DECAL - CTROL PANEL SPADE	1
24	0711235	CLAMP - SHAFT	2
25	0717203	PIN - CONTROL HANDLE (6)	1
26	0717206	SPACER	1
27	0717461	PLATE - SHAFT SUPPORT	1
28	0723231	PANEL - CONTROL (6 HANDLE)	1
29	0723232	PANEL - SWITCH	1
30	0806006	CLEVIS WELDMENT	6
31	0806008	CONTROL FRAME WELDMENT (6 HANDLE)	1
32	0806515	CONTROL HANDLE WELDMENT	6
33	9024041	MCGILL SWITCH	2
34	9053524	BRONZE BUSHING (.752 X .879 X .750)	12

Section I - PARTS (cont'd)

REAR SPADE HYDRAULICS



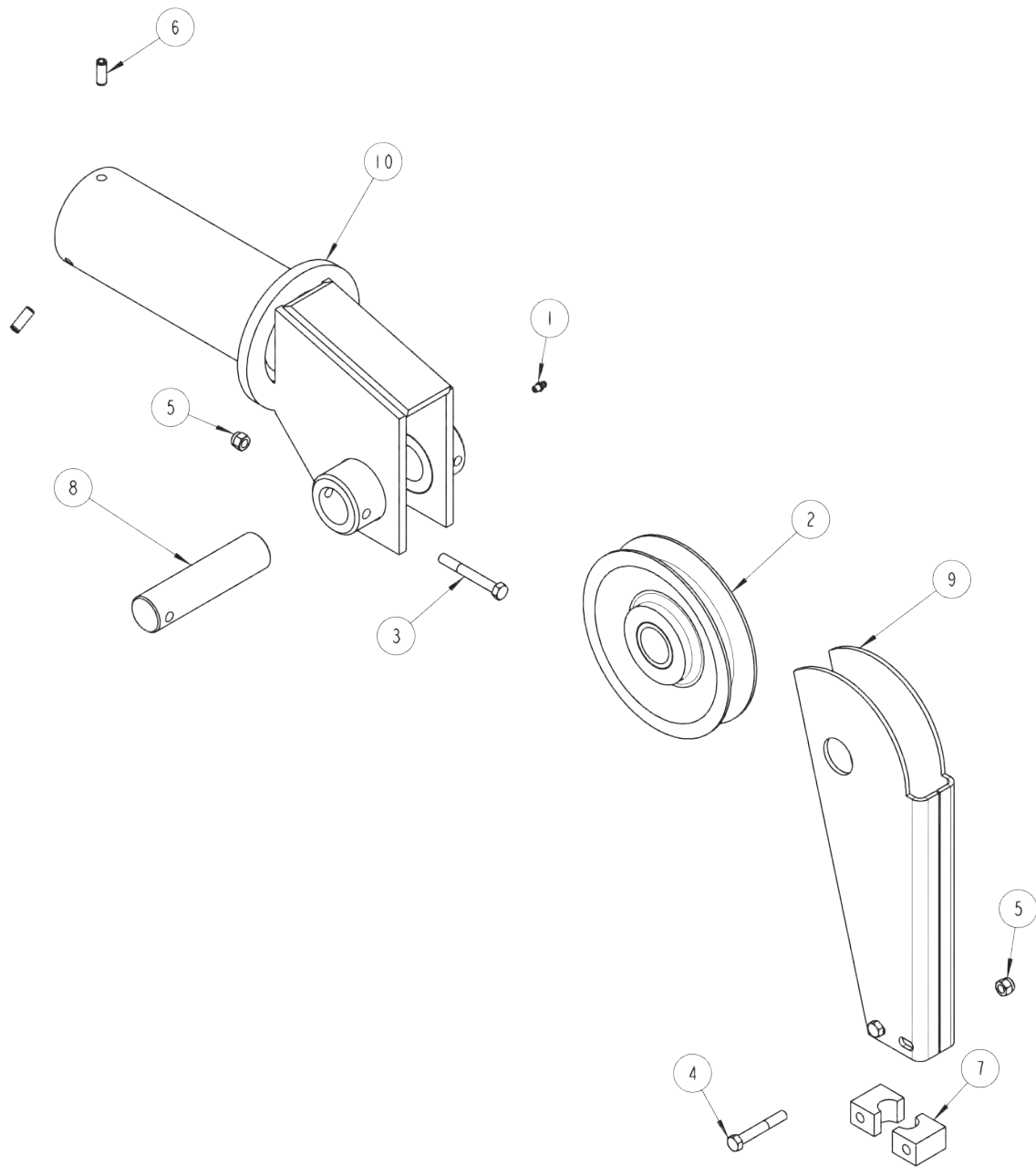
Section I - PARTS (cont'd)

REAR SPADE HYDRAULICS

ITEM	PART NUMBER	DESCRIPTION	QTY
1	0300044	CONNECTOR 6MJX8MB	2
2	0301522	CONNECTOR 6MJ-6MB	2
3	0302980	PIPE NIPPLE, 1/2" NPT X 5"	4
4	0303017	CONNECTOR 8MBX6FB	2
5	0303093	CONTROL VALVE, VDP11DDDC110	1
6	0303094	VALVE, 5 SPOOL PARKER	1
7	0303748	HOSE ASSEMBLY, 32"	4
8	0307045	ELBOW, 6MJ-8MP90	4
9	0310013	CYLINDER, HYDRAULIC TI S24023424PPBZ	2

Section I - PARTS (cont'd)

BOOM SWIVEL ASSEMBLY



ITEM	PART NUMBER	DESCRIPTION	QTY
1	0300113	GREASE FITTING, 1/4-28 STRAIGHT	1
2	0300626	SHEAVE - 8"	1
3	0400133	3/8-16 X 3 HHCS GR.5,ZP	1
4	0400150	3/8-16 X 2-1/2 HHCS GR5 ZP	2
5	0400392	3/8-16 NYLOCK HEX NUT ZP	3
6	0400554	3/8 X 1 ROLL PIM ZP	3
7	0700801	BOTTOM CABLE GUIDE	2
8	0716134	SHEAVE SHAFT	1
9	0800286	CABLE GUIDE WELDMENT	1
10	0804448	BOOM END SWIVEL WELDMENT	1

Section II - PARTS LIST

5130 PARTS

ITEM	PART NUMBER	DESCRIPTION	QTY
--	125514021	CENTURY 5130 W/2-SP WINCHES	
1	0400002	4X1/4 DRIVE SCREW RD HD	4
2	0501220	PLATE - SERIAL & DATA GENERIC	1
3	0907152	SHIP KIT 5130	1
4	0908559	5130/5230 UNIT ASSY GREENVILLE	1
5	0911135	INTEGRATED NON-LIGHTED CONTROL	1
--	0907152	SHIP KIT 5130	
6	0300844	3/4 X 1/8 CLOSED CELL	15
7	0303867	PUMP, BI-ROTATIONAL	1
8	0306899	WIRE ROPE 5/8X6X37 IWRC XIPS	2
9	0310599	CRC HD CORROSION INHIBIT SPRAY	1
10	0902328	KIT-BODY MOUNTING - 5030	1
11	0903223	KIT-TOWER RAMP 3224	1
12	0903729	CHAIN-SAFETY ASSY	1
13	0904217	HARDWARE-BODY MOUNTING	1
14	0904366	KIT-FORK (9) PAIRS	1
15	0908275	KIT, FENDER SKIRT-AL TBOX LWRK	1
16	0910479	PURCHASED SHIP KIT 5130	1
--	0902328	KIT-BODY MOUNTING - 5030	
17	0707174	ANG TAILGATE MTG	2
18	0707175	PLATE, MOUNTING 5030	2
19	0711286	SPACER - REAR FRAME BRKT	2
20	0717507	PLATE - MOUNTING	2
--	0903223	KIT-TOWER RAMP 3224	
21	0303140	RAMP PAD - 3224	2
22	0400128	3/8-16X1.25 FLAT HD SOC	10
23	0400392	3/8-16 NYLOK HEX NUT ZINC	10
--	0903729	CHAIN-SAFETY ASSY	
24	0307626	SAFETY CHAIN ASY,1/2X14' GR100	2
	0904217	HARDWARE-BODY MOUNTING	
25	0400286	3/4-10X2.75" HHCSGR 8GOLD	44
26	0400301	7/8-9X3HHCS GR5 ZP	4
27	0400431	3/4-10 NYLOK HEX GR 8 ZP	44
28	0400436	7/8-9 NYLOK HEX NUT ZP	4
	0904366	KIT-FORK (9) PAIRS	
29	0200018	FORK-SHORT, 3IN OPNG	2
30	0200019	FORK-SHORT, 4-1/2IN OPNG	2
31	0200020	FORK-MED, 3IN OPNG	2
32	0200021	FORK-MED, 4-1/2IN OPNG	2
33	0200022	FORK-LONG, 3IN OPNG	2
34	0200023	FORK-LONG, 4-1/2IN OPNG	2
35	0200024	FORK-OFFSET REAR AXLE	2
36	0200042	FORK-MEDIUM ROUND AXLE	2
37	0306564	ALUM T HANDLE 5/8" X 1-1/4"	2

Section II - PARTS LIST (cont'd)

5130 PARTS (cont'd)

ITEM	PART NUMBER	DESCRIPTION	QTY
--	0904366	KIT-FORK (9) PAIRS (cont'd)	
38	0310230	CLEVIS PIN, 5/8 X 6 ZINC PLT	2
39	0400886	HITCH PIN CLIP,1/8 DIA X 2.6 OAL	2
40	0801186	ADAPTER-HDU CHAIN (LH OR RH)	1
41	0801186	ADAPTER-HDU CHAIN (LH OR RH)	1
42	0803591	ADAPTER-LEFT FORK	1
43	0803592	ADAPTER-RIGHT FORK	1
44	0807023	BRKT-PIVOT SPRING LIFT	2
45	0900900	PIN-ASSY, RETAINER	2
46	0908672	PIN-RET.-SPRING LIFT	2
--	0900900	PIN-ASSY, RETAINER	
47	0302474	PIN, LINCH 3/16	1
48	0311167	3/16 SWAGE FOR 1/8 COATED CABL	1
49	0311210	CABLE, PIN RETAINER ASSY .125	1
50	0400568	3/8X3" ROLL PIN ZP	1
51	0400573	3/16X1-1/4ROLL PIN ZP	1
52	0402020	1/4-20NC X 3/4 HEX HD SS	1
53	0703426	PIN,RETAINER	1
--	0908672	PIN-RET.-SPRING LIFT	
54	0302474	PIN, LINCH 3/16	1
55	0311167	3/16 SWAGE FOR 1/8 COATED CABL	1
56	0311210	CABLE, PIN RETAINER ASSY .125	1
57	0400568	3/8X3" ROLL PIN ZP	1
58	0400573	3/16X1-1/4ROLL PIN ZP	1
59	0402020	1/4-20NC X 3/4 HEX HD SS	1
60	0718917	PIN, RETAINER	1
--	0908275	KIT, FENDER SKIRT-AL TBOX LWRK	
61	0307270	SIKAFLEX-GRAY 221-G SEALANT	1
62	9025068	REFLECTOR-PETERSON B489R DECAL	4
--	0910479	PURCHASED SHIP KIT 5130	
63	0300132	14" UV BLK CABLE TIE	100
64	0500241	DECAL-SAFETY CHAIN WARN	3
65	0500554	FLAG, AMERICAN LT	2
66	0500686	DECAL - RETRACT CAUTION	2
67	0501140	5130/5230 OWNERS MANUAL	1
68	0501167	PLATE, CENTURY, NAME, PLASTIC	2
69	0501763	CENTURY LARGE INT INSTL MANUAL	1
70	0711438	BRACKET - HOSE	8
71	0902333	KIT-GLAD HAND	1
72	0904183	KIT-AIR TENSIONER	1
73	0906838	GROUND KIT MTG.HARNESS CENTURY	1
74	0907043	KIT, HOLE PLUG TOOL BOX	1
75	0907883	KIT- PUMP 5130-7035	1
76	0908382	KIT - MUDFLAP LRG CENTURY WKR	1
77	0908446	KIT, SWITCH/DECALS 2-SPD WINCH	1
78	0911090	KIT-SAFETY TREAD-INTEGRATED	1

Section II - PARTS LIST (cont'd)
5130 PARTS (cont'd)

ITEM	PART NUMBER	DESCRIPTION	QTY
--	0902333	KIT-GLAD HAND	
79	0301909	RECEPTACLE BOOT	1
80	0301946	FITTING, BLKHD CONNECT	2
81	0301948	HD 7 WAY TRAILER CONNECT	1
82	0304363	QUICK DISCONNECT 1/2 FPT	2
83	0400070	1/4-20X1 HHCS GR5 ZP	2
84	0400367	1/4-20 NYLOK HEX NUT ZP	2
85	0400451	1/4 FLATWASHER ZP	2
--	0904183	KIT-AIR TENSIONER	
86	0301577	1/4 OD PLASTIC AIRLINE, BLACK	25
87	0302495	CONVOLUTED LOOM 1/4	25
88	0311193	6" CABLE TIE	25
89	0400062	1/4-20X3/4 THRD CUT HEX	2
90	0700188	BRKT,BULKHEAD	2
91	0909085	KIT,AIR FLR/REG/LUBE COMBO 1/4	1
92	HA0132	GAUGE 0-160 PSIG	1
--	0909085	KIT,AIR FLR/REG/LUBE COMBO 1/4	
93	0306983	FITT-MALE RUNTEE 1/4T-1/4NPT	1
94	0311367	INTERFACE ADAPTER	1
95	0911210	ASSEMBLY-FILTER/REGULATOR COMB	1
96	9010520	FITTING-ELBOW 1/4T-1/4NPT	1
--	0911210	ASSEMBLY-FILTER/REGULATOR COMB	
97	0311363	FILTER/REGULATOR COMBINATION	1
98	0311365	BRACKET	1
99	HA0132	GAUGE 0-160 PSIG	1
--	0906838	GROUND KIT MTG.HARNESS CENTURY	
100	0400126	3/8-16X1 HHCS GR5 ZP.	1
101	0400392	3/8-16 NYLOK HEX NUT ZINC	1
102	0400481	3/8" EXT.TOOTH LOCKWASHER	1
103	0400499	3/4" EXT.TOOTH LOCKWASHER	1
104	0402122	3/8-16NC HEX NUT 316 SS	1
105	0716468	LUG - GROUNDING	1
--	0907043	KIT, HOLE PLUG TOOL BOX	
106	0307052	WASHER, RUBBER 7/16X1 1/4X1/4	8
107	0400201	1/2-13X1.5 CRGBLT GR5 ZP	4
108	0400407	1/2-13 HEX NUT ZP	4
109	0400491	1/2" HCL LKWSHR ZP	4
110	0400492	1/2" FLATWASHER ZP	4
111	0400506	5/8 FLATWASHER ZP	4
--	0907883	KIT- PUMP 5130-7035	
112	0300348	NIPPLE, 1-1/2 X 5	2
113	0300364	CLAMP-HOSE,0.875"-2.75" 50"LBS	8
114	0300660	HOSE HYD, 120"	2
115	0300865	FITTING, CONNECTOR 8MJ-8MJ	2

Section II - PARTS LIST (cont'd)

5130 PARTS (cont'd)

ITEM	PART NUMBER	DESCRIPTION	QTY
--	0907883	KIT- PUMP 5130-7035 (cont'd)	
116	0301529	HOSE HYD, 58	2
117	0301547	FITTING, ELB 8MJ-12MB 90	2
118	0302088	BALL VALVE	2
119	0302698	FITTING, HOSE BARB,1-1/4	2
120	0302906	FITTING, ADAPTER	2
121	0303290	INSULATED CLAMP 2 1/2	12
122	0303463	BUSHING 1 1/2MP-1 1/4FP	2
123	0306539	HOSE BARB 20HOSE16MB90	2
124	0310010	SUCTION HOSE,1-1/4ID X50 100R4	1
125	0400181	1/2-13X1.5 HHCS GR5 ZP	2
126	0400491	1/2" HCL LKWSHR ZP	2
--	0908382	KIT - MUDFLAP LRG CENTURY WKR	
127	0310631	MUD FLAP, CENTURY	2
128	0400103	5/16-18X1.25 HHCS GR5 ZP	8
129	0400148	3/8-16X1.25 HHCS GR5 ZP	4
130	0400382	5/16-18 NYLOK HEX NUT ZP	8
131	0400392	3/8-16 NYLOK HEX NUT ZINC	4
132	0717386	BAR - MUDFLAP	2
133	0718139	ANGLE - MUD FLAP MOUNT	2
--	0908446	KIT, SWITCH/DECALS 2-SPD WINCH	
134	0501647	DECAL, 2-SPEED	2
135	9024041	SWITCH-ROCKER, LIGHTED 12V	4
--	0908559	5130/5230 UNIT ASSY GREENVILLE	
136	0906529	KIT - BOOM SWIVEL	1
137	0906911	UNDERLIFT & TOWER ASSY 51/5230	1
138	0907317	SUBFRAME ASSY - 5130/5230	1
139	0908047	BOOM INSTALLATION - 5035 2-SP	1
--	0906529	KIT - BOOM SWIVEL	
140	0400554	3/8X1 ROLL PIN ZP	6
141	0906530	SWIVEL - BOOM ASSEMBLY	2
--	0906530	SWIVEL - BOOM ASSEMBLY	
142	0300113	GREASE FITTING,1/4-28 STRAIGHT	1
143	0300626	SHEAVE,8" 58SHVBBAY 1.5	1
144	0400133	3/8-16X3 HHCS GR5 ZP	1
145	0400150	3/8-16X2.5 HHCS GR5 ZP	2
146	0400392	3/8-16 NYLOK HEX NUT ZINC	3
147	0700801	GUIDE, BOTTOM CABLE	2
148	0716134	SHAFT - SHEAVE	1
149	0800286	GUIDE-CABLE	1
150	0804448	BOOM END SWIVEL WLDT-FIII/4024	1
--	0906911	UNDERLIFT & TOWER ASSY 51/5230	
151	0300113	GREASE FITTING,1/4-28 STRAIGHT	8
152	0301601	CLAMP, HOSE, INSUL, 5/8	4

Section II - PARTS LIST (cont'd)
5130 PARTS (cont'd)

ITEM	PART NUMBER	DESCRIPTION	QTY
--	0906911	UNDERLIFT & TOWER ASSY 51/5230 (cont'd)	
153	0301620	FITTING, HYD. 6MJ - 6MB90	2
154	0302637	HOSE HYD, 72"	1
155	0302812	HOSE HYD, 78"	1
156	0302813	HOSE HYD, 108" LG	2
157	0306746	CYL HYD - FOLD	1
158	0307420	SLEEVE, NYLON PROTECTIVE-24HG	2
159	0400122	3/8-16X1.25 HHCS GR5 ZP	1
160	0400132	3/8-16X1.5 HHCS GR5 ZP	1
161	0400151	3/8-24X3/4 HHCS GR5 ZP	5
162	0400176	1/2-13X1 HHCS GR5 ZP	1
163	0400392	3/8-16 NYLOK HEX NUT ZINC	5
164	0400480	3/8 FLATWASHER ZP	1
165	0400481	3/8" EXT.TOOTH LOCKWASHER	9
166	0400482	3/8" HELICAL LCKWSHR - ZP	1
167	0400491	1/2" HCL LKWSHR ZP	2
168	0706432	BLOCK - STOP	2
169	0707099	BLOCK,STOP	2
170	0717657	PLATE, STOP BLOCK SUPRT	2
171	0802214	PIN-UNDERLIFT PIVOT	1
172	0802365	PIN-TOWER PIVOT WLMT	2
173	0802459	PIN-FOLD CYL. WLDMT	1
174	0804483	CABLE TIE BACK WLMT	2
175	0805884	TOWER WELD'T (5130,5230)	1
176	0806756	PIN WELD'T - FOLD CYLINDER	1
177	0903156	CROSSBAR-5" ASSY	1
178	0906572	KIT-WINCH CABLE STOW	2
179	0906883	U/L BOOM ASSY (5035)	1
180	RB0205	SPLIT BUSHING	2
--	0903156	CROSSBAR-5" ASSY	
181	0301197	COMP.SPRING,CROSS BAR,FI	1
182	0301398	STEEL BALL, 1-3/16 DIA	1
183	0301822	O-RING - PIVOT PIN	1
184	0303097	THRUST WASHER - 1/8 THK	1
185	0303098	THRUST WASHER - 1/16 THK	1
186	0400271	5/8-11X4.5SKTHDCAPSCREW	2
187	0400508	5/8" HELICAL LCKWSHR ZP	2
188	0708470	SPACER - DETENT BALL SPRG	1
189	0710051	PIN - TOP HALF PIVOT	1
190	0710052	PIN - BOTTOM HALF PIVOT	1
191	0802914	CROSSBAR WELDMENT	1
--	0906572	KIT-WINCH CABLE STOW	
192	0400257	5/8-11X3.25 HHCS GR5 ZP	1
193	0400421	5/8-11 NYLOK HEX NUT ZP	1
194	0804483	CABLE TIE BACK WLMT	1
195	9048800	5/8 WELDLESS CHAIN LINK	1
196	945030007	CABLE TIE BACK SPRING-1	1

Section II - PARTS LIST (cont'd)

5130 PARTS (cont'd)

ITEM	PART NUMBER	DESCRIPTION	QTY
--	0906883	U/L BOOM ASSY (5035)	
197	0301522	FITTING, CONN. 6MJ-6MB	2
198	0302538	BUSHING - U/L	2
199	0302561	SLIDE PAD	8
200	0307013	PAD - WEAR	2
201	0307041	U/L EXTEND CYL.	1
202	0400139	3/8-16X1.5 HEX SKT SET	2
203	0400147	3/8-24X5/8 HHCS GR5 ZP	4
204	0400151	3/8-24X3/4 HHCS GR5 ZP	5
205	0400228	3/8-24X5/8 BUTTON HEAD	8
206	0400392	3/8-16 NYLOK HEX NUT ZINC	2
207	0400481	3/8" EXT.TOOTH LOCKWASHER	9
208	0400990	SET SCRW,1/2-13X1/2 SKT,CUP PT	8
209	0706996	PAD, SPACER	1
210	0707028	PAD, BOLT-ON BEARING	1
211	0707034	PLATE, STOP	4
212	0716745	SHAFT - EXTEND CYL(ROD) PL	1
213	0716746	SHAFT - EXTEND CYL(BASE) PL	1
214	0805894	OUTER U/L BOOM (5130,5230)	1
215	0805895	2ND STAGE U/L BOOM (5130,5230)	1
216	0906962	3RD STAGE BOOM ASSY - 5035	1
217	124004465	ALUM HEEL PLATE 9.5" 4024	1
218	BK2003	PAD-WEAR	2
--	0906962	3RD STAGE BOOM ASSY - 5035	
219	0303088	BUSHING - PIVOT PIN	1
220	0805885	3RD STAGE U/L BOOM (5130,5230)	1
--	124004465	ALUM HEEL PLATE 9.5" 4024	
221	0400980	3/8-16X1" FLAT HD SOC CAP SCRW	6
222	0724684	U/L HEEL PLATE-4024	1
--	0907317	SUBFRAME ASSY - 5130/5230	
223	0302538	BUSHING - U/L	2
224	0400070	1/4-20X1 HHCS GR5 ZP	2
225	0400288	3/4-10X2.5HHCS GR 8GOLD	12
226	0400367	1/4-20 NYLOK HEX NUT ZP	2
227	0400431	3/4-10 NYLOK HEX GR 8 ZP	12
228	0711164	BLOCK - SHEAR	4
229	0712522	BAR	4
230	0714581	PLATE - BOLTING	4
231	0804405	BRACKET - BOOM PIVOT	2
232	0806508	SUBFRAME WELD'T - 5130/5230	1
233	0903528	LINK-LT.&RT. SIDE CONT.	1
234	0906983	KIT - LIFT CYLINDER 5035	1
235	0907020	KIT-FRAME HYDRAULIC	1
236	0907021	REAR SPADE ASSY	1
237	0907139	PAN-VALVE ASSY	1
238	0907140	KIT-VALVE COVER 9055	1
239	0907288	CONTROL ASSY (9) HANDLES	1

Section II - PARTS LIST (cont'd)
5130 PARTS (cont'd)

ITEM	PART NUMBER	DESCRIPTION	QTY
--	0907317	SUBFRAME ASSY - 5130/5230 (cont'd)	
240	0907289	RIGHT CONTROL ASSY-(6 HANDLE)	1
241	0907347	KIT - REAR HANDRAIL	1
242	0907802	KIT - RESERVOIR 5130-9055	1
--	0903528	LINK-LT.&RT. SIDE CONT.	
243	0303008	ADJUSTABLE CLEVIS	3
244	0400103	5/16-18X1.25 HHCS GR5 ZP	9
245	0400122	3/8-16X1.25 HHCS GR5 ZP	6
246	0400382	5/16-18 NYLOK HEX NUT ZP	9
247	0400383	5/16-24 HEX NUT ZP	12
248	0400392	3/8-16 NYLOK HEX NUT ZINC	6
249	0400466	5/16 INT.TOOTH LOCKWSHR	47
250	0711249	PLATE - CONTROL BULKHEAD	2
251	0711250	PLATE - CONTROL BULKHEAD	1
252	0801054	CONNECTOR-CONTROL CABLE	6
--	0906983	KIT - LIFT CYLINDER 5035	
253	0300113	GREASE FITTING,1/4-28 STRAIGHT	4
254	0301620	FITTING, HYD. 6MJ - 6MB90	4
255	0303389	HOSE HYD, 46" LG	2
256	0303394	HOSE HYD, 46"	2
257	0307012	CYL - BOOM LIFT (5035)	2
258	0400219	1/2-13X4.5HHCS GR5 ZP	2
259	0400408	1/2-13 NYLOK HEX NUT ZP	2
260	0707118	PIN,LIFT CYL.	2
--	0907020	KIT-FRAME HYDRAULIC	
261	0300660	HOSE HYD, 120"	2
262	0301372	FITTING, ST.CONN. 12FJ-8MJ	1
263	0301837	INLINE ORIFICE	1
264	0301965	HOSE HYD, 131"	2
265	0302000	HOSE HYD, 24"	1
266	0302551	C-SN-10 SOCKET-HEAD	2
267	0302552	C-WA-10 WELD ADAPTER	2
268	0302575	FITTING-BULKHEAD RUN TEE	2
269	0302585	HOSE HYD, 54"	2
270	0302596	HOSE HYD, 34"	1
271	0302604	HOSE HYD, 44"	2
272	0302605	HOSE HYD, 44"	2
273	0302805	HOSE HYD, 10"	1
274	0303170	HOSE, HYD. 75"	2
275	0303389	HOSE HYD, 46" LG	2
276	0303392	HOSE HYD, 73"	2
277	0307345	FITTING, ADAPTER 16FJ-12MJ	2
278	0400118	5/16-18X3/4 HHCS GR5 ZP	2
--	0907021	REAR SPADE ASSY	
279	0300113	GREASE FITTING,1/4-28 STRAIGHT	2
280	0300134	CLAMP, 1" HOSE INSULATED	4

Section II - PARTS LIST (cont'd)

5130 PARTS (cont'd)

ITEM	PART NUMBER	DESCRIPTION	QTY
--	0907021	REAR SPADE ASSY (cont'd)	
281	0301861	QUICK PIN,LINCH -B7932 PL 7/16	2
282	0302980	NIPPLE, 1/2X5 S80 BLK PIPE	4
283	0303748	HOSE HYD, 136	4
284	0307045	FITT. 90 DEG EL 6MJ-8FP90	4
285	0310013	CYL, HYD TI-S24023424PPBZ	2
286	0400066	1/4-20X3/4 HHCS GR5 ZP	8
287	0400139	3/8-16X1.5 HEX SKT SET	4
288	0400392	3/8-16 NYLOK HEX NUT ZINC	7
289	0400452	1/4" HELICAL LCKWASHR ZP	8
290	0705500	SHAFT - LOWER SPADE	2
291	0707394	SHAFT,UPPER SPADE	2
292	0715694	PIN - SPADE PIVOT	2
293	0715796	PLATE - COVER SPADES (4024)	2
294	0804334	PIN - MULTI-POSITION	2
295	0807630	LOWER SPADE PAD WLMT	2
296	0807664	INNER SPADE WELD'T L.H.(4024)	1
297	0807665	INNER SPADE WELD'T R.H.(4024)	1
298	9046354	SPRING PIN 1/4 X 2-1/2	2
--	0907139	PAN-VALVE ASSY	
299	0300044	FITT, HYD CONN. 6MJ-8MB	2
300	0301470	FITTING, 90ELB 6MJ-8MB90	2
301	0301730	VALVE, DOUBLE HOLDING	1
302	0400078	1/4-20X2 HHCS GR5 ZP	2
303	0400109	5/16-18X1 HHCS GR5 ZP	9
304	0400135	3/8-16X4.5 HHCS GR5 ZP	6
305	0400157	3/8-16X1.75 HHCS GR5 ZP	8
306	0400367	1/4-20 NYLOK HEX NUT ZP	2
307	0400382	5/16-18 NYLOK HEX NUT ZP	2
308	0400384	5/16-24 NYLOK HEX NUT ZP	2
309	0400392	3/8-16 NYLOK HEX NUT ZINC	12
310	0400451	1/4 FLATWASHER ZP	2
311	0704045	SPACER-CONTROL VALVE	6
312	0717827	PLATE, VALVE MOUNTING	1
313	0719122	PLATE - VALVE MTG	1
314	0906494	VALVE ASSY,PARKER 4 SPL W/FTGS	1
315	0906495	VALVE ASSY,PARKER 5 SPL W/FTGS	1
--	0906494	VALVE ASSY,PARKER 4 SPL W/FTGS	
316	0300044	FITT, HYD CONN. 6MJ-8MB	3
317	0300052	FITTING, ELB 8MJ-10MB 90	1
318	0301388	FITTING, 90ELL, 8MJ-8MB90	1
319	0301522	FITTING, CONN. 6MJ-6MB	3
320	0301545	FITTING, ELB 12MJ-12MB 90	1
321	0301995	FITTING, ADAPTER STR	1
322	0302052	FITTING, RUN TEE	1
323	0302508	FITTING, ELL 8MJ-8MB 90LL	1
324	0303017	FITTING, CONNECTOR	3
325	0303093	VALVE, 4 SPOOL PARKER	1

Section II - PARTS LIST (cont'd)
5130 PARTS (cont'd)

ITEM	PART NUMBER	DESCRIPTION	QTY
--	0906495	VALVE ASSY,PARKER 5 SPL W/FTGS	
326	0300044	FITT, HYD CONN. 6MJ-8MB	6
327	0300052	FITTING, ELB 8MJ-10MB 90	1
328	0301388	FITTING, 90ELL, 8MJ-8MB90	1
329	0301522	FITTING, CONN. 6MJ-6MB	2
330	0301545	FITTING, ELB 12MJ-12MB 90	1
331	0301995	FITTING, ADAPTER STR	1
332	0302052	FITTING, RUN TEE	1
333	0302508	FITTING, ELL 8MJ-8MB 90LL	1
334	0303017	FITTING, CONNECTOR	2
335	0303094	VALVE, 5 SPOOL PARKER	1
--	0907140	KIT-VALVE COVER 9055	
336	0400121	3/8-16X3/4 HHCS GR5 ZP	4
337	0400482	3/8" HELICAL LCKWSHR - ZP	4
338	0717066	COVER - VALVE	1
339	0807181	COVER, SUPPORT WELDMENT	4
--	0907288	CONTROL ASSY (9) HANDLES	
340	0301473	HOSE HYD, 18" LG	2
341	0302205	GAUGE, FLUSH MNTG-6000 PSI	2
342	0302457	CABLE, CONTROL 104	3
343	0302726	GREASE FITTING, 1/4-28 X 45DEG	9
344	0303427	CABLE, CONTROL 114"	6
345	0400107	5/16-18X2.5 HHCS GR5 ZP	4
346	0400109	5/16-18X1 HHCS GR5 ZP	4
347	0400382	5/16-18 NYLOK HEX NUT ZP	8
348	0400393	3/8-16 HEX NUT JAM ZP	9
349	0400451	1/4 FLATWASHER ZP	8
350	0400512	3/4 FLAT WASHER(SPECIAL)	2
351	0400527	CLEVIS PIN, 5/16X1"X5/8"GRIP	9
352	0711235	CLAMP - SHAFT CONTROL BOX	2
353	0717198	PIN - CONTROL HANDLE (9)	1
354	0717461	PLATE - SUPPORT SHAFT	2
355	0806006	CLEVIS WELD'T	9
356	0806007	CONTROL FRAME WELD'T-(9) HANDL	1
357	0907441	CONTROL HANDLE ASSY - SHORT	9
358	FC41	FITTING-90DEG BLKHD ELB	2
--	0907441	CONTROL HANDLE ASSY - SHORT	
359	0806515	CONTROL HANDLE WELD'T	1
360	9053524	BEARING BR. FLG.752 X .879X.75	2
--	0907289	RIGHT CONTROL ASSY-(6 HANDLE)	
361	0302457	CABLE, CONTROL 104	2
362	0302726	GREASE FITTING, 1/4-28 X 45DEG	6
363	0303427	CABLE, CONTROL 114"	4
364	0400107	5/16-18X2.5 HHCS GR5 ZP	4
365	0400109	5/16-18X1 HHCS GR5 ZP	2
366	0400382	5/16-18 NYLOK HEX NUT ZP	6

Section II - PARTS LIST (cont'd)

5130 PARTS (cont'd)

ITEM	PART NUMBER	DESCRIPTION	QTY
--	0907289	RIGHT CONTROL ASSY-(6 HANDLE) (cont'd)	
367	0400451	1/4 FLATWASHER ZP	6
368	0400512	3/4 FLAT WASHER(SPECIAL)	2
369	0400527	CLEVIS PIN, 5/16X1"X5/8"GRIP	6
370	0711235	CLAMP - SHAFT CONTROL BOX	2
371	0717203	PIN - CONTROL HANDLE (6)	1
372	0717206	TUBE - 1.25 OD SPACER	1
373	0723378	PLATE-PIN SUPPORT	1
374	0806006	CLEVIS WELD'T	6
375	0806008	CNTRL FRAME WELD'T-(6,7,8 HND)	1
376	0907441	CONTROL HANDLE ASSY - SHORT	6
--	0907441	CONTROL HANDLE ASSY - SHORT	
377	0806515	CONTROL HANDLE WELD'T	1
378	9053524	BEARING BR. FLG.752 X .879X.75	2
--	0907347	KIT - REAR HANDRAIL	
379	0400148	3/8-16X1.25 HHCS GR5 ZP	6
380	0400392	3/8-16 NYLOK HEX NUT ZINC	6
381	0806521	HAND RAIL WELD'T	2
--	0907802	KIT - RESERVOIR 5130-9055	
382	0300287	FITTING, PIPE BUSHING, 1.25X1	2
383	0300364	CLAMP-HOSE,0.875"-2.75" 50"LBS	2
384	0301350	PIPE, 1-1/2 CLOSE NIPPLE	2
385	0301894	SPIN-ON FLTR ASSY	2
386	0302227	CENTER BONDED MOUNT	4
387	0302228	SPECIAL WASHER (LORD	4
388	0302570	SIGHT GAUGE 3/4 NPT (SVM-12)	2
389	0302756	SUCTION HOSE,1-1/4IDX100 100R4	2.25
390	0303155	PIPE PLUG 3/4 NPT MAGNETIC	2
391	0303338	FITTING, ELBOW	2
392	0305006	FILLER CAP (GO205,FB194)	2
393	0307344	SUCTION STRAINER	2
394	0400122	3/8-16X1.25 HHCS GR5 ZP	8
395	0400149	3/8-16 X 5/8 HHCS GR5 ZP	24
396	0400150	3/8-16X2.5 HHCS GR5 ZP	4
397	0400392	3/8-16 NYLOK HEX NUT ZINC	12
398	0400480	3/8 FLATWASHER ZP	24
399	0706114	GSKT-CLEANOUT&FLLR COVER	2
400	0802747	PIPE-FILLER WLMT	2
401	0803193	SUPPORT-RESERVOIR WLDMT.	2
402	0806653	RESERVOIR-LEFT WELDMENT	1
403	0806654	RESERVOIR-RIGHT WELDMENT	1
--	0908047	BOOM INSTALLATION - 5035 2-SP	
404	0301893	HOSE HYD, 84	2
405	0301895	GREASE FITTING,STR 1/8 PTF	2
406	0302514	ADAPTER 8MJ-6MJ	12
407	0302546	CLAMPING UNIT C-PH-10-2	6

Section II - PARTS LIST (cont'd)
5130 PARTS (cont'd)

ITEM	PART NUMBER	DESCRIPTION	QTY
--	0908047	BOOM INSTALLATION - 5035 2-SP (cont'd)	
408	0302548	CLAMPING UNIT(SET) HC-10-6	3
409	0302549	SPLIT BUSH.RUBBER C-SB10-8 1/2	19
410	0302550	C-SB-10-12 3/4 SPLIT	10
411	0302551	C-SN-10 SOCKET-HEAD	7
412	0302624	HYD TUBING	6
413	0302955	HOSE HYD, 48-1/4"	2
414	0303391	HOSE 8AT2(8FJX-8FJ90) 110"	2
415	0400118	5/16-18X3/4 HHCS GR5 ZP	14
416	0400132	3/8-16X1.5 HHCS GR5 ZP	2
417	0400181	1/2-13X1.5 HHCS GR5 ZP	2
418	0400220	1/2-13X5.5" HHCS GR5 ZP	1
419	0400392	3/8-16 NYLOK HEX NUT ZINC	4
420	0400408	1/2-13 NYLOK HEX NUT ZP	3
421	0400492	1/2" FLATWASHER ZP	2
422	0705104	PLATE-WINCH CABLE SPPT.	1
423	0713217	BAR	6
424	0715953	PIN - BOOM PIVOT	1
425	0802219	PIN-LIFT CYL. PIVOT	2
426	0906985	KIT - TILT CYLINDER 5130/5230	1
427	0908048	BOOM ASSEMBLY - 5035 2-SPD W	1
428	DE1381	1/2 WASHER SAE 17/32 ID	2
--	0906985	KIT - TILT CYLINDER 5130/5230	
429	0300113	GREASE FITTING,1/4-28 STRAIGHT	8
430	0301470	FITTING, 90ELB 6MJ-8MB90	2
431	0301522	FITTING, CONN. 6MJ-6MB	1
432	0301619	FITT, 6MJ-6MJ-6MB BRANCH TEE	1
433	0301620	FITTING, HYD. 6MJ - 6MB90	1
434	0302035	HOSE HYD, 18" 6FJX-6FJX -6M1T	1
435	0302805	HOSE HYD, 10"	1
436	0302842	FITTING, TEE	2
437	0302914	HOSE HYD, 35"	1
438	0302915	HOSE HYD, 12"	2
439	0303563	HOSE HYD, 27"	1
440	0307040	CYL - U/L TILT	2
441	0307106	FITT, CONNECTOR 4MB-6FB	1
442	0307107	VALVE, HOLDING 4000 PSI SAE	1
443	0400078	1/4-20X2 HHCS GR5 ZP	2
444	0400133	3/8-16X3 HHCS GR5 ZP	4
445	0400367	1/4-20 NYLOK HEX NUT ZP	2
446	0400392	3/8-16 NYLOK HEX NUT ZINC	4
447	0402110	1/4 SS FLAT WASHER	2
448	0703001	BRKT,MTG,CHECK VALVE	1
449	0716763	SHAFT	1
450	0716870	SHAFT	1
451	9056125	1.25 NOM HVY DUTY RET RING EXT	2
--	0908048	BOOM ASSEMBLY - 5035 2-SPD W	
452	0300113	GREASE FITTING,1/4-28 STRAIGHT	2

Section II - PARTS LIST (cont'd)

5130 PARTS (cont'd)

ITEM	PART NUMBER	DESCRIPTION	QTY
--	0908048	BOOM ASSEMBLY - 5035 2-SPD W (cont'd)	
453	0301895	GREASE FITTING,STR 1/8 PTF	1
454	0301949	3/8" OD AIRLINE,SYNFLEX HOSE	14
455	0302552	C-WA-10 WELD ADAPTER	7
456	0303490	PAD-WEAR 1/2" X 1" X 4"	2
457	0400059	1/4-20X5/8 HHCS GR5 ZP	2
458	0400121	3/8-16X3/4 HHCS GR5 ZP	5
459	0400452	1/4" HELICAL LCKWASHR ZP	2
460	0400990	SET SCRW,1/2-13X1/2 SKT,CUP PT	4
461	0805876	OUTER BOOM WLD'T	1
462	0807929	INNER BOOM WELDMENT	1
463	0906987	KIT - EXT. CYLINDER (5035)	1
464	0908049	WINCH ASSEMBLY - 5035 2-SP W	1
465	0908431	KIT - "D" RING BOOM	1
466	3012-793001	PLATE - LUBE MTG.	1
467	9012549	CONNECTOR-MALE 3/8TUBEX1	1
468	9012552	BULKHEAD ADAPTER 1/8M-1/8F NPT	1
469	9012584	ELBOW-1/4NPT X 3/8TUBE 9	1
470	9044434	3/8-16X1 NC FLAT SOCKET HD CAP	2
471	915030004	WEAR PAD (UPPER)	1
472	915040001	PAD RETAINING PLATE	1
473	916040004	WEAR PAD - LOWER	1
--	0906987	KIT - EXT. CYLINDER (5035)	
474	0301522	FITTING, CONN. 6MJ-6MB	2
475	0301959	SNAP RING-INTERNAL 1-1/2	2
476	0307082	CYLINDER, BOOM EXT.(W/SUN VALV	1
477	0400132	3/8-16X1.5 HHCS GR5 ZP	2
478	0400392	3/8-16 NYLOK HEX NUT ZINC	2
479	0400482	3/8" HELICAL LCKWSHR - ZP	2
480	0707580	PIN-SPADECYL-ROD CH-50	1
481	9056150	RETAINING RING - 1 1/2	2
482	915040400	SPIDER CLAMP WLDM'T, TOP	1
483	915040501	CLAMP PLATE	2
484	916350001	PIN, BOOM EXT CYL 1.5 X 9 5/8	1
--	0908049	WINCH ASSEMBLY - 5035 2-SP W	
485	0300041	FITTING, CONNECTOR 8MJ-8MB	2
486	0301445	FITTING, EXTENDED	2
487	0301577	1/4 OD PLASTIC AIRLINE, BLACK	80
488	0302495	CONVOLUTED LOOM 1/4	80
489	0310194	HARNESS, WIRING 2-SPEED	1
490	0311193	6" CABLE TIE	35
491	0400262	5/8-11X2.5" HHCS GR 8 ZP	16
492	0400426	5/8-11 GR 8 NYLOK NUT YZ PLT	16
493	0711164	BLOCK - SHEAR	8
494	0715947	ANGLE - WINCH MOUNTING	2
495	0715948	ANGLE - WINCH MOUNTING	2
496	0715949	ANGLE - WINCH MOUNTING	2
497	0715950	ANGLE - WINCH MOUNTING	2

Section II - PARTS LIST (cont'd)
5130 PARTS (cont'd)

ITEM	PART NUMBER	DESCRIPTION	QTY
--	0908049	WINCH ASSEMBLY - 5035 2-SP W (cont'd)	
498	9010520	FITTING-ELBOW 1/4T-1/4NPT	2
499	9011071	FITT, BRASS TEE 1/4T-1/4T-1/4T	1
500	9048248	WINCH DP 2-SPD 25K NARROW DRUM	2
--	0908431	KIT - "D" RING BOOM	
501	0712380	RING - D	1
502	BA0259	PIN - "D" RING	1
503	HD0106	1/4X1.75SPRING PIN ZP	1
--	0911135	INTEGRATED NON-LIGHTED CONTROL	
504	0907708	CNTRL KIT RT (KNOB,DECAL,PL)	1
505	0907757	CNTRL KIT LEFT (KNOB,DECAL,PL)	1
--	0907708	CNTRL KIT RT (KNOB,DECAL,PL)	
506	0300835	KNOB-BOOM (UP-DOWN)	1
507	0300836	KNOB-CTRL-JACK (UP-DOWN)	2
508	0300837	KNOB-BOOM (IN-OUT)	1
509	0307166	PLUG 7/8	2
510	0307604	KNOB, RED LONG - SK0700-07	2
511	0310021	PIGTAIL, PWR - SWITCH	1
512	0310022	PIGTAIL, GND - SWITCH	1
513	0400061	1/4-20X3/4 MACH SCREW	3
514	0400062	1/4-20X3/4 THRD CUT HEX	12
515	0400070	1/4-20X1 HHCS GR5 ZP	4
516	0400101	5/16-18X1 RD MACH HD SS	4
517	0400107	5/16-18X2.5 HHCS GR5 ZP	4
518	0400367	1/4-20 NYLOK HEX NUT ZP	4
519	0400369	1/4 "J" TYPE TINNERMAN	3
520	0400379	5/16-18 "J" NUT TINNERMAN	4
521	0400393	3/8-16 HEX NUT JAM ZP	4
522	0400451	1/4 FLATWASHER ZP	6
523	0500914	DECAL-CTRL PANEL WRECKER	1
524	0500915	DECAL-CTRL PANEL SPADE	1
525	0501157	TAG-CAUTION WINCH CABLE DAMAGE	2
526	0723231	PANEL-CONTROL 6 HANDLE	1
527	0723232	PANEL-SWITCH	1
528	0724648	BRACE	1
529	9024041	SWITCH-ROCKER, LIGHTED 12V	2
--	0907757	CNTRL KIT LEFT (KNOB,DECAL,PL)	
530	0300835	KNOB-BOOM (UP-DOWN)	1
531	0300836	KNOB-CTRL-JACK (UP-DOWN)	2
532	0300837	KNOB-BOOM (IN-OUT)	1
533	0302856	KNOB-TILT, 3/8-16 THREAD	1
534	0302917	KNOB-WHL LIFT EXT IN-OUT	1
535	0303382	KNOB - FOLD (UP-DN)	1
536	0307604	KNOB, RED LONG - SK0700-07	2
537	0307778	PLUG, FILLER	4
538	0310021	PIGTAIL, PWR - SWITCH	1

Section II - PARTS LIST (cont'd)

5130 PARTS (cont'd)

ITEM	PART NUMBER	DESCRIPTION	QTY
--	0907757	CNTRL KIT LEFT (KNOB,DECAL,PL) (cont'd)	
539	0310022	PIGTAIL, GND - SWITCH	1
540	0311355	HOBBS HOURMETER	1
541	0400005	SCREW, ROUND PH 6-32 X 1/2 SS	6
542	0400062	1/4-20X3/4 THRD CUT HEX	12
543	0400066	1/4-20X3/4 HHCS GR5 ZP	3
544	0400070	1/4-20X1 HHCS GR5 ZP	4
545	0400101	5/16-18X1 RD MACH HD SS	4
546	0400107	5/16-18X2.5 HHCS GR5 ZP	4
547	0400367	1/4-20 NYLOK HEX NUT ZP	3
548	0400367	1/4-20 NYLOK HEX NUT ZP	4
549	0400369	1/4 "J" TYPE TINNERMAN	3
550	0400379	5/16-18 "J" NUT TINNERMAN	4
551	0400393	3/8-16 HEX NUT JAM ZP	9
552	0400451	1/4 FLATWASHER ZP	6
553	0402094	NUT, HEX 6-32 SS	6
554	0500773	DECAL PLATE-THROTTLE	1
555	0500914	DECAL-CTRL PANEL WRECKER	1
556	0500915	DECAL-CTRL PANEL SPADE	1
557	0500916	DECAL-CTRL PNL UNDERLIFT	1
558	0501157	TAG-CAUTION WINCH CABLE DAMAGE	2
559	0723230	PANEL, CONTROL 9	1
560	0723233	PANEL, GAUGE 9	1
561	0724648	BRACE	1
562	9024041	SWITCH-ROCKER, LIGHTED 12V	3

Section II - PARTS LIST (cont'd)

5230 PARTS

ITEM	PART NUMBER	DESCRIPTION	QTY
--	125524021	CENTURY 5230 W/2-SP WINCHES	
1	0907154	SHIP KIT - 5230	1
2	0908559	5130/5230 UNIT ASSY GREENVILLE	1
3	0911135	INTEGRATED NON-LIGHTED CONTROL	1
--	0907154	SHIP KIT - 5230	
4	0300844	3/4 X 1/8 CLOSED CELL	15
5	0303867	PUMP, BI-ROTATIONAL	1
6	0306899	WIRE ROPE 5/8x6x37 IWRC XIPS	2
7	0310599	CRC HD CORROSION INHIBIT SPRAY	1
8	0902328	KIT-BODY MOUNTING - 5030	1
9	0903137	KIT-TOWER RAMP 9055/5030	1
10	0903729	CHAIN-SAFETY ASSY	1
11	0904217	HARDWARE-BODY MOUNTING	1
12	0904366	KIT-FORK (9) PAIRS	1
13	0908275	KIT, FENDER SKIRT-AL TBOX LWRK	1
14	0910479	PURCHASED SHIP KIT 5130	1
--	0902328	KIT-BODY MOUNTING - 5030	
15	0707174	ANG TAILGATE MTG	2
16	0707175	PLATE, MOUNTING 5030	2
17	0711286	SPACER - REAR FRAME BRKT	2
18	0717507	PLATE - MOUNTING	2
--	0903137	KIT-TOWER RAMP 9055/5030	
19	0303089	RAMP PAD - 9055/5030	2
20	0400128	3/8-16X1.25 FLAT HD SOC	10
21	0400392	3/8-16 NYLOK HEX NUT ZINC	10
--	0903729	CHAIN-SAFETY ASSY	
22	0307626	SAFETY CHAIN ASY,1/2X14' GR100	2
	0904217	HARDWARE-BODY MOUNTING	
23	0400286	3/4-10X2.75" HHCSGR 8GOLD	44
24	0400301	7/8-9X3HHCS GR5 ZP	4
25	0400431	3/4-10 NYLOK HEX GR 8 ZP	44
26	0400436	7/8-9 NYLOK HEX NUT ZP	4
--	0904366	KIT-FORK (9) PAIRS	
27	0200018	FORK-SHORT, 3IN OPNG	2
28	0200019	FORK-SHORT, 4-1/2IN OPNG	2
29	0200020	FORK-MED, 3IN OPNG	2
30	0200021	FORK-MED, 4-1/2IN OPNG	2
31	0200022	FORK-LONG, 3IN OPNG	2
32	0200023	FORK-LONG, 4-1/2IN OPNG	2
33	0200024	FORK-OFFSET REAR AXLE	2
34	0200042	FORK-MEDIUM ROUND AXLE	2
35	0306564	ALUM T HANDLE 5/8" X 1-1/4"	2
36	0310230	CLEVIS PIN, 5/8 X 6 ZINC PLT	2
37	0400886	HITCH PIN CLIP,1/8 DIAx2.6 OAL	2

Section II - PARTS LIST (cont'd)

5230 PARTS (cont'd)

ITEM	PART NUMBER	DESCRIPTION	QTY
--	0904366	KIT-FORK (9) PAIRS (cont'd)	
38	0801186	ADAPTER-HDU CHAIN (LH OR RH)	1
39	0801186	ADAPTER-HDU CHAIN (LH OR RH)	1
40	0803591	ADAPTER-LEFT FORK	1
41	0803592	ADAPTER-RIGHT FORK	1
42	0807023	BRKT-PIVOT SPRING LIFT	2
43	0900900	PIN-ASSY, RETAINER	2
44	0908672	PIN-RET.-SPRING LIFT	2
--	0900900	PIN-ASSY, RETAINER	
45	0302474	PIN, LINCH 3/16	1
46	0311167	3/16 SWAGE FOR 1/8 COATED CABL	1
47	0311210	CABLE, PIN RETAINER ASSY .125	1
48	0400568	3/8X3" ROLL PIN ZP	1
49	0400573	3/16X1-1/4ROLL PIN ZP	1
50	0402020	1/4-20NC X 3/4 HEX HD SS	1
51	0703426	PIN,RETAINER	1
--	0908672	PIN-RET.-SPRING LIFT	
52	0302474	PIN, LINCH 3/16	1
53	0311167	3/16 SWAGE FOR 1/8 COATED CABL	1
54	0311210	CABLE, PIN RETAINER ASSY .125	1
55	0400568	3/8X3" ROLL PIN ZP	1
56	0400573	3/16X1-1/4ROLL PIN ZP	1
57	0402020	1/4-20NC X 3/4 HEX HD SS	1
58	0718917	PIN, RETAINER	1
--	0908275	KIT, FENDER SKIRT-AL TBOX LWRK	
59	0307270	SIKAFLEX-GRAY 221-G SEALANT	1
60	9025068	REFLECTOR-PETERSON B489R DECAL	4
--	0910479	PURCHASED SHIP KIT 5130	
61	0300132	14" UV BLK CABLE TIE	100
62	0500241	DECAL-SAFETY CHAIN WARN	3
63	0500554	FLAG, AMERICAN LT	2
64	0500686	DECAL - RETRACT CAUTION	2
65	0501140	5130/5230 OWNERS MANUAL	1
66	0501167	PLATE, CENTURY, NAME, PLASTIC	2
67	0501763	CENTURY LARGE INT INSTL MANUAL	1
68	0711438	BRACKET - HOSE	8
69	0902333	KIT-GLAD HAND	1
70	0904183	KIT-AIR TENSIONER	1
71	0906838	GROUND KIT MTG.HARNESS CENTURY	1
72	0907043	KIT, HOLE PLUG TOOL BOX	1
73	0907883	KIT- PUMP 5130-7035	1
74	0908382	KIT - MUDFLAP LRG CENTURY WKR	1
75	0908446	KIT, SWITCH/DECALS 2-SPD WINCH	1
76	0911090	KIT-SAFETY TREAD-INTEGRATED	1

Section II - PARTS LIST (cont'd)
5230 PARTS (cont'd)

ITEM	PART NUMBER	DESCRIPTION	QTY
--	0902333	KIT-GLAD HAND	
77	0301909	RECEPTACLE BOOT	1
78	0301946	FITTING, BLKHD CONNECT	2
79	0301948	HD 7 WAY TRAILER CONNECT	1
80	0304363	QUICK DISCONNECT 1/2 FPT	2
81	0400070	1/4-20X1 HHCS GR5 ZP	2
82	0400367	1/4-20 NYLOK HEX NUT ZP	2
83	0400451	1/4 FLATWASHER ZP	2
--	0904183	KIT-AIR TENSIONER	
84	0301577	1/4 OD PLASTIC AIRLINE, BLACK	25
85	0302495	CONVOLUTED LOOM 1/4	25
86	0311193	6" CABLE TIE	25
87	0400062	1/4-20X3/4 THRD CUT HEX	2
88	0700188	BRKT,BULKHEAD	2
89	0909085	KIT,AIR FLR/REG/LUBE COMBO 1/4	1
90	HA0132	GAUGE 0-160 PSIG	1
--	0909085	KIT,AIR FLR/REG/LUBE COMBO 1/4	
91	0306983	FITT-MALE RUNTEE 1/4T-1/4NPT	1
92	0311367	INTERFACE ADAPTER	1
93	0911210	ASSEMBLY-FILTER/REGULATOR COMB	1
94	9010520	FITTING-ELBOW 1/4T-1/4NPT	1
--	0911210	ASSEMBLY-FILTER/REGULATOR COMB	
95	0311363	FILTER/REGULATOR COMBINATION	1
96	0311365	BRACKET	1
97	HA0132	GAUGE 0-160 PSIG	1
--	0906838	GROUND KIT MTG.HARNESS CENTURY	
98	0400126	3/8-16X1 HHCS GR5 ZP.	1
99	0400392	3/8-16 NYLOK HEX NUT ZINC	1
100	0400481	3/8" EXT.TOOTH LOCKWASHER	1
101	0400499	3/4" EXT.TOOTH LOCKWASHER	1
102	0402122	3/8-16NC HEX NUT 316 SS	1
103	0716468	LUG - GROUNDING	1
--	0907043	KIT, HOLE PLUG TOOL BOX	
104	0307052	WASHER, RUBBER 7/16X1 1/4X1/4	8
105	0400201	1/2-13X1.5 CRGBLT GR5 ZP	4
106	0400407	1/2-13 HEX NUT ZP	4
107	0400491	1/2" HCL LKWSHR ZP	4
108	0400492	1/2" FLATWASHER ZP	4
109	0400506	5/8 FLATWASHER ZP	4
--	0907883	KIT- PUMP 5130-7035	
110	0300348	NIPPLE, 1-1/2 X 5	2
111	0300364	CLAMP-HOSE,0.875"-2.75" 50"LBS	8
112	0300660	HOSE HYD, 120"	2
113	0300865	FITTING, CONNECTOR 8MJ-8MJ	2

Section II - PARTS LIST (cont'd)

5230 PARTS (cont'd)

ITEM	PART NUMBER	DESCRIPTION	QTY
--	0907883	KIT- PUMP 5130-7035 (cont'd)	
114	0301529	HOSE HYD, 58	2
115	0301547	FITTING, ELB 8MJ-12MB 90	2
116	0302088	BALL VALVE	2
117	0302698	FITTING, HOSE BARB,1-1/4	2
118	0302906	FITTING, ADAPTER	2
119	0303290	INSULATED CLAMP 2 1/2	12
120	0303463	BUSHING 1 1/2MP-1 1/4FP	2
121	0306539	HOSE BARB 20HOSE16MB90	2
122	0310010	SUCTION HOSE,1-1/4ID X50 100R4	1
123	0400181	1/2-13X1.5 HHCS GR5 ZP	2
124	0400491	1/2" HCL LKWSHR ZP	2
--	0908382	KIT - MUDFLAP LRG CENTURY WKR	
125	0310631	MUD FLAP, CENTURY	2
126	0400103	5/16-18X1.25 HHCS GR5 ZP	8
127	0400148	3/8-16X1.25 HHCS GR5 ZP	4
128	0400382	5/16-18 NYLOK HEX NUT ZP	8
129	0400392	3/8-16 NYLOK HEX NUT ZINC	4
130	0717386	BAR - MUDFLAP	2
131	0718139	ANGLE - MUD FLAP MOUNT	2
--	0908446	KIT, SWITCH/DECALS 2-SPD WINCH	
132	0501647	DECAL, 2-SPEED	2
133	9024041	SWITCH-ROCKER, LIGHTED 12V	4
--	0908559	5130/5230 UNIT ASSY GREENVILLE	
134	0906529	KIT - BOOM SWIVEL	1
135	0906911	UNDERLIFT & TOWER ASSY 51/5230	1
136	0907317	SUBFRAME ASSY - 5130/5230	1
137	0908047	BOOM INSTALLATION - 5035 2-SP	1
--	0906529	KIT - BOOM SWIVEL	
138	0400554	3/8X1 ROLL PIN ZP	6
139	0906530	SWIVEL - BOOM ASSEMBLY	2
--	0906530	SWIVEL - BOOM ASSEMBLY	
140	0300113	GREASE FITTING,1/4-28 STRAIGHT	1
141	0300626	SHEAVE,8" 58SHVBBAY 1.5	1
142	0400133	3/8-16X3 HHCS GR5 ZP	1
143	0400150	3/8-16X2.5 HHCS GR5 ZP	2
144	0400392	3/8-16 NYLOK HEX NUT ZINC	3
145	0700801	GUIDE, BOTTOM CABLE	2
146	0716134	SHAFT - SHEAVE	1
147	0800286	GUIDE-CABLE	1
148	0804448	BOOM END SWIVEL WLDT-FIII/4024	1
--	0906911	UNDERLIFT & TOWER ASSY 51/5230	
149	0300113	GREASE FITTING,1/4-28 STRAIGHT	8
150	0301601	CLAMP, HOSE, INSUL, 5/8	4

Section II - PARTS LIST (cont'd)
5230 PARTS (cont'd)

ITEM	PART NUMBER	DESCRIPTION	QTY
--	0906911	UNDERLIFT & TOWER ASSY 51/5230 (cont'd)	
151	0301620	FITTING, HYD. 6MJ - 6MB90	2
152	0302637	HOSE HYD, 72"	1
153	0302812	HOSE HYD, 78"	1
154	0302813	HOSE HYD, 108" LG	2
155	0306746	CYL HYD - FOLD	1
156	0307420	SLEEVE, NYLON PROTECTIVE-24HG	2
157	0400122	3/8-16X1.25 HHCS GR5 ZP	1
158	0400132	3/8-16X1.5 HHCS GR5 ZP	1
159	0400151	3/8-24X3/4 HHCS GR5 ZP	5
160	0400176	1/2-13X1 HHCS GR5 ZP	1
161	0400392	3/8-16 NYLOK HEX NUT ZINC	5
162	0400480	3/8 FLATWASHER ZP	1
163	0400481	3/8" EXT.TOOTH LOCKWASHER	9
164	0400482	3/8" HELICAL LCKWSHR - ZP	1
165	0400491	1/2" HCL LKWSHR ZP	2
166	0706432	BLOCK - STOP	2
167	0707099	BLOCK,STOP	2
168	0717657	PLATE, STOP BLOCK SUPRT	2
169	0802214	PIN-UNDERLIFT PIVOT	1
170	0802365	PIN-TOWER PIVOT WLMT	2
171	0802459	PIN-FOLD CYL. WLDMT	1
172	0804483	CABLE TIE BACK WLMT	2
173	0805884	TOWER WELD'T (5130,5230)	1
174	0806756	PIN WELD'T - FOLD CYLINDER	1
175	0903156	CROSSBAR-5" ASSY	1
176	0906572	KIT-WINCH CABLE STOW	2
177	0906883	U/L BOOM ASSY (5035)	1
178	RB0205	SPLIT BUSHING	2
--	0903156	CROSSBAR-5" ASSY	
179	0301197	COMP.SPRING,CROSS BAR,FI	1
180	0301398	STEEL BALL, 1-3/16 DIA	1
181	0301822	O-RING - PIVOT PIN	1
182	0303097	THRUST WASHER - 1/8 THK	1
183	0303098	THRUST WASHER - 1/16 THK	1
184	0400271	5/8-11X4.5SKTHDCAPSCREW	2
185	0400508	5/8" HELICAL LCKWSHR ZP	2
186	0708470	SPACER - DETENT BALL SPRG	1
187	0710051	PIN - TOP HALF PIVOT	1
188	0710052	PIN - BOTTOM HALF PIVOT	1
189	0802914	CROSSBAR WELDMENT	1
--	0906572	KIT-WINCH CABLE STOW	
190	0400257	5/8-11X3.25 HHCS GR5 ZP	1
191	0400421	5/8-11 NYLOK HEX NUT ZP	1
192	0804483	CABLE TIE BACK WLMT	1
193	9048800	5/8 WELDLESS CHAIN LINK	1
194	945030007	CABLE TIE BACK SPRING-1	1

Section II - PARTS LIST (cont'd)

5230 PARTS (cont'd)

ITEM	PART NUMBER	DESCRIPTION	QTY
--	0906883	U/L BOOM ASSY (5035)	
195	0301522	FITTING, CONN. 6MJ-6MB	2
196	0302538	BUSHING - U/L	2
197	0302561	SLIDE PAD	8
198	0307013	PAD - WEAR	2
199	0307041	U/L EXTEND CYL.	1
200	0400139	3/8-16X1.5 HEX SKT SET	2
201	0400147	3/8-24X5/8 HHCS GR5 ZP	4
202	0400151	3/8-24X3/4 HHCS GR5 ZP	5
203	0400228	3/8-24X5/8 BUTTON HEAD	8
204	0400392	3/8-16 NYLOK HEX NUT ZINC	2
205	0400481	3/8" EXT.TOOTH LOCKWASHER	9
206	0400990	SET SCRW,1/2-13X1/2 SKT,CUP PT	8
207	0706996	PAD, SPACER	1
208	0707028	PAD, BOLT-ON BEARING	1
209	0707034	PLATE, STOP	4
210	0716745	SHAFT - EXTEND CYL(ROD) PL	1
211	0716746	SHAFT - EXTEND CYL(BASE) PL	1
212	0805894	OUTER U/L BOOM (5130,5230)	1
213	0805895	2ND STAGE U/L BOOM (5130,5230)	1
214	0906962	3RD STAGE BOOM ASSY - 5035	1
215	124004465	ALUM HEEL PLATE 9.5" 4024	1
216	BK2003	PAD-WEAR	2
--	0906962	3RD STAGE BOOM ASSY - 5035	
217	0303088	BUSHING - PIVOT PIN	1
218	0805885	3RD STAGE U/L BOOM (5130,5230)	1
--	124004465	ALUM HEEL PLATE 9.5" 4024	
219	0400980	3/8-16X1" FLAT HD SOC CAP SCRW	6
220	0724684	U/L HEEL PLATE-4024	1
--	0907317	SUBFRAME ASSY - 5130/5230	
221	0302538	BUSHING - U/L	2
222	0400070	1/4-20X1 HHCS GR5 ZP	2
223	0400288	3/4-10X2.5HHCS GR 8GOLD	12
224	0400367	1/4-20 NYLOK HEX NUT ZP	2
225	0400431	3/4-10 NYLOK HEX GR 8 ZP	12
226	0711164	BLOCK - SHEAR	4
227	0712522	BAR	4
228	0714581	PLATE - BOLTING	4
229	0804405	BRACKET - BOOM PIVOT	2
230	0806508	SUBFRAME WELD'T - 5130/5230	1
231	0903528	LINK-LT.&RT. SIDE CONT.	1
232	0906983	KIT - LIFT CYLINDER 5035	1
233	0907020	KIT-FRAME HYDRAULIC	1
234	0907021	REAR SPADE ASSY	1
235	0907139	PAN-VALVE ASSY	1
236	0907140	KIT-VALVE COVER 9055	1
237	0907288	CONTROL ASSY (9) HANDLES	1

Section II - PARTS LIST (cont'd)
5230 PARTS (cont'd)

ITEM	PART NUMBER	DESCRIPTION	QTY
--	0907317	SUBFRAME ASSY - 5130/5230 (cont'd)	
238	0907289	RIGHT CONTROL ASSY-(6 HANDLE)	1
239	0907347	KIT - REAR HANDRAIL	1
240	0907802	KIT - RESERVOIR 5130-9055	1
--	0903528	LINK-LT.&RT. SIDE CONT.	
241	0303008	ADJUSTABLE CLEVIS	3
242	0400103	5/16-18X1.25 HHCS GR5 ZP	9
243	0400122	3/8-16X1.25 HHCS GR5 ZP	6
244	0400382	5/16-18 NYLOK HEX NUT ZP	9
245	0400383	5/16-24 HEX NUT ZP	12
246	0400392	3/8-16 NYLOK HEX NUT ZINC	6
247	0400466	5/16 INT.TOOTH LOCKWSHR	47
248	0711249	PLATE - CONTROL BULKHEAD	2
249	0711250	PLATE - CONTROL BULKHEAD	1
250	0801054	CONNECTOR-CONTROL CABLE	6
--	0906983	KIT - LIFT CYLINDER 5035	
251	0300113	GREASE FITTING,1/4-28 STRAIGHT	4
252	0301620	FITTING, HYD. 6MJ - 6MB90	4
253	0303389	HOSE HYD, 46" LG	2
254	0303394	HOSE HYD, 46"	2
255	0307012	CYL - BOOM LIFT (5035)	2
256	0400219	1/2-13X4.5HHCS GR5 ZP	2
257	0400408	1/2-13 NYLOK HEX NUT ZP	2
258	0707118	PIN,LIFT CYL.	2
--	0907020	KIT-FRAME HYDRAULIC	
259	0300660	HOSE HYD, 120"	2
260	0301372	FITTING, ST.CONN. 12FJ-8MJ	1
261	0301837	INLINE ORIFICE	1
262	0301965	HOSE HYD, 131"	2
263	0302000	HOSE HYD, 24"	1
264	0302551	C-SN-10 SOCKET-HEAD	2
265	0302552	C-WA-10 WELD ADAPTER	2
266	0302575	FITTING-BULKHEAD RUN TEE	2
267	0302585	HOSE HYD, 54"	2
268	0302596	HOSE HYD, 34"	1
269	0302604	HOSE HYD, 44"	2
270	0302605	HOSE HYD, 44"	2
271	0302805	HOSE HYD, 10"	1
272	0303170	HOSE, HYD. 75"	2
273	0303389	HOSE HYD, 46" LG	2
274	0303392	HOSE HYD, 73"	2
275	0307345	FITTING, ADAPTER 16FJ-12MJ	2
276	0400118	5/16-18X3/4 HHCS GR5 ZP	2
--	0907021	REAR SPADE ASSY	
277	0300113	GREASE FITTING,1/4-28 STRAIGHT	2
278	0300134	CLAMP, 1" HOSE INSULATED	4

Section II - PARTS LIST (cont'd)

5230 PARTS (cont'd)

ITEM	PART NUMBER	DESCRIPTION	QTY
--	0907021	REAR SPADE ASSY (cont'd)	
279	0301861	QUICK PIN,LINCH -B7932 PL 7/16	2
280	0302980	NIPPLE, 1/2X5 S80 BLK PIPE	4
281	0303748	HOSE HYD, 136	4
282	0307045	FITT. 90 DEG EL 6MJ-8FP90	4
283	0310013	CYL, HYD TI-S24023424PPBZ	2
284	0400066	1/4-20X3/4 HHCS GR5 ZP	8
285	0400139	3/8-16X1.5 HEX SKT SET	4
286	0400392	3/8-16 NYLOK HEX NUT ZINC	7
287	0400452	1/4" HELICAL LCKWASHR ZP	8
288	0705500	SHAFT - LOWER SPADE	2
289	0707394	SHAFT,UPPER SPADE	2
290	0715694	PIN - SPADE PIVOT	2
291	0715796	PLATE - COVER SPADES (4024)	2
292	0804334	PIN - MULTI-POSITION	2
293	0807630	LOWER SPADE PAD WLMT	2
294	0807664	INNER SPADE WELD'T L.H.(4024)	1
295	0807665	INNER SPADE WELD'T R.H.(4024)	1
296	9046354	SPRING PIN 1/4 X 2-1/2	2
--	0907139	PAN-VALVE ASSY	
297	0300044	FITT, HYD CONN. 6MJ-8MB	2
298	0301470	FITTING, 90ELB 6MJ-8MB90	2
299	0301730	VALVE, DOUBLE HOLDING	1
300	0400078	1/4-20X2 HHCS GR5 ZP	2
301	0400109	5/16-18X1 HHCS GR5 ZP	9
302	0400135	3/8-16X4.5 HHCS GR5 ZP	6
303	0400157	3/8-16X1.75 HHCS GR5 ZP	8
304	0400367	1/4-20 NYLOK HEX NUT ZP	2
305	0400382	5/16-18 NYLOK HEX NUT ZP	2
306	0400384	5/16-24 NYLOK HEX NUT ZP	2
307	0400392	3/8-16 NYLOK HEX NUT ZINC	12
308	0400451	1/4 FLATWASHER ZP	2
309	0704045	SPACER-CONTROL VALVE	6
310	0717827	PLATE, VALVE MOUNTING	1
311	0719122	PLATE - VALVE MTG	1
312	0906494	VALVE ASSY,PARKER 4 SPL W/FTGS	1
313	0906495	VALVE ASSY,PARKER 5 SPL W/FTGS	1
--	0906494	VALVE ASSY,PARKER 4 SPL W/FTGS	
314	0300044	FITT, HYD CONN. 6MJ-8MB	3
315	0300052	FITTING, ELB 8MJ-10MB 90	1
316	0301388	FITTING, 90ELL, 8MJ-8MB90	1
317	0301522	FITTING, CONN. 6MJ-6MB	3
318	0301545	FITTING, ELB 12MJ-12MB 90	1
319	0301995	FITTING, ADAPTER STR	1
320	0302052	FITTING, RUN TEE	1
321	0302508	FITTING, ELL 8MJ-8MB 90LL	1
322	0303017	FITTING, CONNECTOR	3
323	0303093	VALVE, 4 SPOOL PARKER	1

Section II - PARTS LIST (cont'd)
5230 PARTS (cont'd)

ITEM	PART NUMBER	DESCRIPTION	QTY
--	0906495	VALVE ASSY,PARKER 5 SPL W/FTGS	
324	0300044	FITT, HYD CONN. 6MJ-8MB	6
325	0300052	FITTING, ELB 8MJ-10MB 90	1
326	0301388	FITTING, 90ELL, 8MJ-8MB90	1
327	0301522	FITTING, CONN. 6MJ-6MB	2
328	0301545	FITTING, ELB 12MJ-12MB 90	1
329	0301995	FITTING, ADAPTER STR	1
330	0302052	FITTING, RUN TEE	1
331	0302508	FITTING, ELL 8MJ-8MB 90LL	1
332	0303017	FITTING, CONNECTOR	2
333	0303094	VALVE, 5 SPOOL PARKER	1
--	0907140	KIT-VALVE COVER 9055	
334	0400121	3/8-16X3/4 HHCS GR5 ZP	4
335	0400482	3/8" HELICAL LCKWSHR - ZP	4
336	0717066	COVER - VALVE	1
337	0807181	COVER, SUPPORT WELDMENT	4
--	0907288	CONTROL ASSY (9) HANDLES	
338	0301473	HOSE HYD, 18" LG	2
339	0302205	GAUGE, FLUSH MNTG-6000 PSI	2
340	0302457	CABLE, CONTROL 104	3
341	0302726	GREASE FITTING, 1/4-28 X 45DEG	9
342	0303427	CABLE, CONTROL 114"	6
343	0400107	5/16-18X2.5 HHCS GR5 ZP	4
344	0400109	5/16-18X1 HHCS GR5 ZP	4
345	0400382	5/16-18 NYLOK HEX NUT ZP	8
346	0400393	3/8-16 HEX NUT JAM ZP	9
347	0400451	1/4 FLATWASHER ZP	8
348	0400512	3/4 FLAT WASHER(SPECIAL)	2
349	0400527	CLEVIS PIN, 5/16X1"X5/8"GRIP	9
350	0711235	CLAMP - SHAFT CONTROL BOX	2
351	0717198	PIN - CONTROL HANDLE (9)	1
352	0717461	PLATE - SUPPORT SHAFT	2
353	0806006	CLEVIS WELD'T	9
354	0806007	CONTROL FRAME WELD'T-(9) HANDL	1
355	0907441	CONTROL HANDLE ASSY - SHORT	9
356	FC41	FITTING-90DEG BLKHD ELB	2
--	0907441	CONTROL HANDLE ASSY - SHORT	
357	0806515	CONTROL HANDLE WELD'T	1
358	9053524	BEARING BR. FLG.752 X .879X.75	2
--	0907289	RIGHT CONTROL ASSY-(6 HANDLE)	
359	0302457	CABLE, CONTROL 104	2
360	0302726	GREASE FITTING, 1/4-28 X 45DEG	6
361	0303427	CABLE, CONTROL 114"	4
362	0400107	5/16-18X2.5 HHCS GR5 ZP	4
363	0400109	5/16-18X1 HHCS GR5 ZP	2
364	0400382	5/16-18 NYLOK HEX NUT ZP	6

Section II - PARTS LIST (cont'd)

5230 PARTS (cont'd)

ITEM	PART NUMBER	DESCRIPTION	QTY
--	0907289	RIGHT CONTROL ASSY-(6 HANDLE) (cont'd)	
365	0400451	1/4 FLATWASHER ZP	6
366	0400512	3/4 FLAT WASHER(SPECIAL)	2
367	0400527	CLEVIS PIN, 5/16X1"X5/8"GRIP	6
368	0711235	CLAMP - SHAFT CONTROL BOX	2
369	0717203	PIN - CONTROL HANDLE (6)	1
370	0717206	TUBE - 1.25 OD SPACER	1
371	0723378	PLATE-PIN SUPPORT	1
372	0806006	CLEVIS WELD'T	6
373	0806008	CNTRL FRAME WELD'T-(6,7,8 HND)	1
374	0907441	CONTROL HANDLE ASSY - SHORT	6
--	0907441	CONTROL HANDLE ASSY - SHORT	
375	0806515	CONTROL HANDLE WELD'T	1
376	9053524	BEARING BR. FLG.752 X .879X.75	2
--	0907347	KIT - REAR HANDRAIL	
377	0400148	3/8-16X1.25 HHCS GR5 ZP	6
378	0400392	3/8-16 NYLOK HEX NUT ZINC	6
379	0806521	HAND RAIL WELD'T	2
--	0907802	KIT - RESERVOIR 5130-9055	
380	0300287	FITTING, PIPE BUSHING, 1.25X1	2
381	0300364	CLAMP-HOSE,0.875"-2.75" 50"LBS	2
382	0301350	PIPE, 1-1/2 CLOSE NIPPLE	2
383	0301894	SPIN-ON FLTR ASSY	2
384	0302227	CENTER BONDED MOUNT	4
385	0302228	SPECIAL WASHER (LORD	4
386	0302570	SIGHT GAUGE 3/4 NPT (SVM-12)	2
387	0302756	SUCTION HOSE,1-1/4IDX100 100R4	2.25
388	0303155	PIPE PLUG 3/4 NPT MAGNETIC	2
389	0303338	FITTING, ELBOW	2
390	0305006	FILLER CAP (GO205,FB194)	2
391	0307344	SUCTION STRAINER	2
392	0400122	3/8-16X1.25 HHCS GR5 ZP	8
393	0400149	3/8-16 X 5/8 HHCS GR5 ZP	24
394	0400150	3/8-16X2.5 HHCS GR5 ZP	4
395	0400392	3/8-16 NYLOK HEX NUT ZINC	12
396	0400480	3/8 FLATWASHER ZP	24
397	0706114	GSKT-CLEANOUT&FLLR COVER	2
398	0802747	PIPE-FILLER WLMT	2
399	0803193	SUPPORT-RESERVOIR WLDMT.	2
400	0806653	RESERVOIR-LEFT WELDMENT	1
401	0806654	RESERVOIR-RIGHT WELDMENT	1
--	0908047	BOOM INSTALLATION - 5035 2-SP	
402	0301893	HOSE HYD, 84	2
403	0301895	GREASE FITTING,STR 1/8 PTF	2
404	0302514	ADAPTER 8MJ-6MJ	12
405	0302546	CLAMPING UNIT C-PH-10-2	6

Section II - PARTS LIST (cont'd)
5230 PARTS (cont'd)

ITEM	PART NUMBER	DESCRIPTION	QTY
--	0908047	BOOM INSTALLATION - 5035 2-SP (cont'd)	
406	0302548	CLAMPING UNIT(SET) HC-10-6	3
407	0302549	SPLIT BUSH.RUBBER C-SB10-8 1/2	19
408	0302550	C-SB-10-12 3/4 SPLIT	10
409	0302551	C-SN-10 SOCKET-HEAD	7
410	0302624	HYD TUBING	6
411	0302955	HOSE HYD, 48-1/4"	2
412	0303391	HOSE 8AT2(8FJX-8FJ90) 110"	2
413	0400118	5/16-18X3/4 HHCS GR5 ZP	14
414	0400132	3/8-16X1.5 HHCS GR5 ZP	2
415	0400181	1/2-13X1.5 HHCS GR5 ZP	2
416	0400220	1/2-13X5.5" HHCS GR5 ZP	1
417	0400392	3/8-16 NYLOK HEX NUT ZINC	4
418	0400408	1/2-13 NYLOK HEX NUT ZP	3
419	0400492	1/2" FLATWASHER ZP	2
420	0705104	PLATE-WINCH CABLE SPPT.	1
421	0713217	BAR	6
422	0715953	PIN - BOOM PIVOT	1
423	0802219	PIN-LIFT CYL. PIVOT	2
424	0906985	KIT - TILT CYLINDER 5130/5230	1
425	0908048	BOOM ASSEMBLY - 5035 2-SPD W	1
426	DE1381	1/2 WASHER SAE 17/32 ID	2
--	0906985	KIT - TILT CYLINDER 5130/5230	
427	0300113	GREASE FITTING,1/4-28 STRAIGHT	8
428	0301470	FITTING, 90ELB 6MJ-8MB90	2
429	0301522	FITTING, CONN. 6MJ-6MB	1
430	0301619	FITT, 6MJ-6MJ-6MB BRANCH TEE	1
431	0301620	FITTING, HYD. 6MJ - 6MB90	1
432	0302035	HOSE HYD, 18" 6FJX-6FJX -6M1T	1
433	0302805	HOSE HYD, 10"	1
434	0302842	FITTING, TEE	2
435	0302914	HOSE HYD, 35"	1
436	0302915	HOSE HYD, 12"	2
437	0303563	HOSE HYD, 27"	1
438	0307040	CYL - U/L TILT	2
439	0307106	FITT, CONNECTOR 4MB-6FB	1
440	0307107	VALVE, HOLDING 4000 PSI SAE	1
441	0400078	1/4-20X2 HHCS GR5 ZP	2
442	0400133	3/8-16X3 HHCS GR5 ZP	4
443	0400367	1/4-20 NYLOK HEX NUT ZP	2
444	0400392	3/8-16 NYLOK HEX NUT ZINC	4
445	0402110	1/4 SS FLAT WASHER	2
446	0703001	BRKT,MTG,CHECK VALVE	1
447	0716763	SHAFT	1
448	0716870	SHAFT	1
449	9056125	1.25 NOM HVY DUTY RET RING EXT	2
--	0908048	BOOM ASSEMBLY - 5035 2-SPD W	
450	0300113	GREASE FITTING,1/4-28 STRAIGHT	2

Section II - PARTS LIST (cont'd)

5230 PARTS (cont'd)

ITEM	PART NUMBER	DESCRIPTION	QTY
--	0908048	BOOM ASSEMBLY - 5035 2-SPD W (cont'd)	
451	0301895	GREASE FITTING,STR 1/8 PTF	1
452	0301949	3/8" OD AIRLINE,SYNFLEX HOSE	14
453	0302552	C-WA-10 WELD ADAPTER	7
454	0303490	PAD-WEAR 1/2" X 1" X 4"	2
455	0400059	1/4-20X5/8 HHCS GR5 ZP	2
456	0400121	3/8-16X3/4 HHCS GR5 ZP	5
457	0400452	1/4" HELICAL LCKWASHR ZP	2
458	0400990	SET SCRW,1/2-13X1/2 SKT,CUP PT	4
459	0805876	OUTER BOOM WLD'T	1
460	0807929	INNER BOOM WELDMENT	1
461	0906987	KIT - EXT. CYLINDER (5035)	1
462	0908049	WINCH ASSEMBLY - 5035 2-SP W	1
463	0908431	KIT - "D" RING BOOM	1
464	3012-793001	PLATE - LUBE MTG.	1
465	9012549	CONNECTOR-MALE 3/8TUBEX1	1
466	9012552	BULKHEAD ADAPTER 1/8M-1/8F NPT	1
467	9012584	ELBOW-1/4NPT X 3/8TUBE 9	1
468	9044434	3/8-16X1 NC FLAT SOCKET HD CAP	2
469	915030004	WEAR PAD (UPPER)	1
470	915040001	PAD RETAINING PLATE	1
471	916040004	WEAR PAD - LOWER	1
--	0906987	KIT - EXT. CYLINDER (5035)	
472	0301522	FITTING, CONN. 6MJ-6MB	2
473	0301959	SNAP RING-INTERNAL 1-1/2	2
474	0307082	CYLINDER, BOOM EXT.(W/SUN VALV	1
475	0400132	3/8-16X1.5 HHCS GR5 ZP	2
476	0400392	3/8-16 NYLOK HEX NUT ZINC	2
477	0400482	3/8" HELICAL LCKWSHR - ZP	2
478	0707580	PIN-SPADECYL-ROD CH-50	1
479	9056150	RETAINING RING - 1 1/2	2
480	915040400	SPIDER CLAMP WLDM'T, TOP	1
481	915040501	CLAMP PLATE	2
482	916350001	PIN, BOOM EXT CYL 1.5 X 9 5/8	1
--	0908049	WINCH ASSEMBLY - 5035 2-SP W	
483	0300041	FITTING, CONNECTOR 8MJ-8MB	2
484	0301445	FITTING, EXTENDED	2
485	0301577	1/4 OD PLASTIC AIRLINE, BLACK	80
486	0302495	CONVOLUTED LOOM 1/4	80
487	0310194	HARNESS, WIRING 2-SPEED	1
488	0311193	6" CABLE TIE	35
489	0400262	5/8-11X2.5" HHCS GR 8 ZP	16
490	0400426	5/8-11 GR 8 NYLOK NUT YZ PLT	16
491	0711164	BLOCK - SHEAR	8
492	0715947	ANGLE - WINCH MOUNTING	2
493	0715948	ANGLE - WINCH MOUNTING	2
494	0715949	ANGLE - WINCH MOUNTING	2
495	0715950	ANGLE - WINCH MOUNTING	2

Section II - PARTS LIST (cont'd)
5230 PARTS (cont'd)

ITEM	PART NUMBER	DESCRIPTION	QTY
--	0908049	WINCH ASSEMBLY - 5035 2-SP W (cont'd)	
496	9010520	FITTING-ELBOW 1/4T-1/4NPT	2
497	9011071	FITT, BRASS TEE 1/4T-1/4T-1/4T	1
498	9048248	WINCH DP 2-SPD 25K NARROW DRUM	2
--	0908431	KIT - "D" RING BOOM	
499	0712380	RING - D	1
500	BA0259	PIN - "D" RING	1
501	HD0106	1/4X1.75SPRING PIN ZP	1
--	0911135	INTEGRATED NON-LIGHTED CONTROL	
502	0907708	CNTRL KIT RT (KNOB,DECAL,PL)	1
503	0907757	CNTRL KIT LEFT (KNOB,DECAL,PL)	1
--	0907708	CNTRL KIT RT (KNOB,DECAL,PL)	
504	0300835	KNOB-BOOM (UP-DOWN)	1
505	0300836	KNOB-CTRL-JACK (UP-DOWN)	2
506	0300837	KNOB-BOOM (IN-OUT)	1
507	0307166	PLUG 7/8	2
508	0307604	KNOB, RED LONG - SK0700-07	2
509	0310021	PIGTAIL, PWR - SWITCH	1
510	0310022	PIGTAIL, GND - SWITCH	1
511	0400061	1/4-20X3/4 MACH SCREW	3
512	0400062	1/4-20X3/4 THRD CUT HEX	12
513	0400070	1/4-20X1 HHCS GR5 ZP	4
514	0400101	5/16-18X1 RD MACH HD SS	4
515	0400107	5/16-18X2.5 HHCS GR5 ZP	4
516	0400367	1/4-20 NYLOK HEX NUT ZP	4
517	0400369	1/4 "J" TYPE TINNERMAN	3
518	0400379	5/16-18 "J" NUT TINNERMAN	4
519	0400393	3/8-16 HEX NUT JAM ZP	4
520	0400451	1/4 FLATWASHER ZP	6
521	0500914	DECAL-CTRL PANEL WRECKER	1
522	0500915	DECAL-CTRL PANEL SPADE	1
523	0501157	TAG-CAUTION WINCH CABLE DAMAGE	2
524	0723231	PANEL-CONTROL 6 HANDLE	1
525	0723232	PANEL-SWITCH	1
526	0724648	BRACE	1
527	9024041	SWITCH-ROCKER, LIGHTED 12V	2
--	0907757	CNTRL KIT LEFT (KNOB,DECAL,PL)	
528	0300835	KNOB-BOOM (UP-DOWN)	1
529	0300836	KNOB-CTRL-JACK (UP-DOWN)	2
530	0300837	KNOB-BOOM (IN-OUT)	1
531	0302856	KNOB-TILT, 3/8-16 THREAD	1
532	0302917	KNOB-WHL LIFT EXT IN-OUT	1
533	0303382	KNOB - FOLD (UP-DN)	1
534	0307604	KNOB, RED LONG - SK0700-07	2
535	0307778	PLUG, FILLER	4
536	0310021	PIGTAIL, PWR - SWITCH	1

Section II - PARTS LIST (cont'd)

5230 PARTS (cont'd)

ITEM	PART NUMBER	DESCRIPTION	QTY
--	0907757	CNTRL KIT LEFT (KNOB,DECAL,PL) (cont'd)	
537	0310022	PIGTAIL, GND - SWITCH	1
538	0311355	HOBBS HOURMETER	1
539	0400005	SCREW, ROUND PH 6-32 X 1/2 SS	6
540	0400062	1/4-20X3/4 THRD CUT HEX	12
541	0400066	1/4-20X3/4 HHCS GR5 ZP	3
542	0400070	1/4-20X1 HHCS GR5 ZP	4
543	0400101	5/16-18X1 RD MACH HD SS	4
544	0400107	5/16-18X2.5 HHCS GR5 ZP	4
545	0400367	1/4-20 NYLOK HEX NUT ZP	3
546	0400367	1/4-20 NYLOK HEX NUT ZP	4
547	0400369	1/4 "J" TYPE TINNERMAN	3
548	0400379	5/16-18 "J" NUT TINNERMAN	4
549	0400393	3/8-16 HEX NUT JAM ZP	9
550	0400451	1/4 FLATWASHER ZP	6
551	0402094	NUT, HEX 6-32 SS	6
552	0500773	DECAL PLATE-THROTTLE	1
553	0500914	DECAL-CTRL PANEL WRECKER	1
554	0500915	DECAL-CTRL PANEL SPADE	1
555	0500916	DECAL-CTRL PNL UNDERLIFT	1
556	0501157	TAG-CAUTION WINCH CABLE DAMAGE	2
557	0723230	PANEL, CONTROL 9	1
558	0723233	PANEL, GAUGE 9	1
559	0724648	BRACE	1
560	9024041	SWITCH-ROCKER, LIGHTED 12V	3

Section II - PARTS LIST (cont'd)
2010 ALUMINUM BODY OPTION 206 C.A. (5130)

ITEM	PART NUMBER	DESCRIPTION	QTY
--	125051206	2010 AL BODY OPT 206 CA - 5130	
1	0910839	TOOLBX,BUA 206CA 2010	1
2	0910943	SHIP KIT, TOOL BOX INTGRTED	1
--	0910839	TOOLBX,BUA 206CA 2010	1
3	0310981	TOOLBOX LH AL 206CA 2010	1
4	0310982	TOOLBOX RH AL 206CA 2010	1
5	0311140	DOOR SEAL	130
6	0400062	1/4-20X3/4 THRD CUT HEX	20
7	0717691	PLATE, WIRE RETAINER ALUMINUM	20
8	0907310	KIT-RUBBER FENDER- ALUM TANDEM	1
9	0908610	KIT-MODULAR LIGHT 180" 2006	1
10	0910875	KIT, WIRING WITH KEYLESS ENTRY	1
11	0910942	KIT, MODULAR WIRE	1
--	0907310	KIT-RUBBER FENDER- ALUM TANDEM	
12	0307151	RUBBER FENDER -GRIFFITH 37042	28
13	0400607	1/4" AL. RIVET X 5/8"	80
--	0908610	KIT-MODULAR LIGHT 180" 2006	
14	0303127	GROMMET-MARKER FOR 2.5" ROUND	2
15	0303128	GROMMET, OVAL -FOR TAILLIGHT	28
16	0306958	STOP/TURN LGHT-RED LED CLR LEN	4
17	0307220	LIGHT, OVAL AMBER LED	8
18	0307495	LAMP, MINI-MARKER LED	2
19	0307710	LIGHT, LED TOOLBOX P4606 RED	14
20	0307981	PIGTAIL, 3-WIRE LAMP W/BULLET	14
21	0310369	LAMP, BACKUP LED CLEAR LENS	2
22	0310496	MARKER SEALED-RED LED CLR LENS	2
23	0400043	10-24X1 OVAL PHILHD MCH	54
24	0400045	10-32X1/2 THRD CUT RD S/S	66
25	0401024	MACH SC.8-32X1 1/2 RND SL ALUM	24
--	0910875	KIT, WIRING WITH KEYLESS ENTRY	
26	0300117	GROMMET, RUBBER 316	12
27	0307513	CABLE WIRE 2/18GA SOOW	15
28	0307537	WIRING HARNESS,VUL SS LWRK TBX	2
29	0307554	JUNCTION BOX,KEYLESS ENTRY PWR	1
30	0310465	SWITCH, SPDT MOMENTARY TOGGLE	1
31	0310562	PLUG, FML BULLET, WHT/BLK	2
32	0310630	CIRCUIT BRKR-30A REPLATO FUSE	1
33	21473015	FUSE HOLDER	1
34	522-0612001	BRAIN, (RF RECEIVER)- KEYLESS	1
35	522-0612002	RELAY, 12V KEYLESS REMOTE	3
--	0910942	KIT, MODULAR WIRE	
36	0300132	14" UV BLK CABLE TIE	75
37	0307177	HARNESS-EXT. L.H. "A" CIRCUIT	2
38	0307178	HARNESS-EXT. L.H. "B" CIRCUIT	2
39	0307179	HARNESS-EXT. R.H. "A" CIRCUIT	1

Section II - PARTS LIST (cont'd)

2010 ALUMINUM BODY OPTION 206 C.A. (5130) (cont'd)

ITEM	PART NUMBER	DESCRIPTION	QTY
--	0910942	KIT, MODULAR WIRE (cont'd)	
40	0307180	HARNESS-EXT. R.H. "B" CIRCUIT	1
41	0307181	CROSS-OVER HARNESS "A" CIRCUIT	1
42	0307182	CROSS-OVER HARNESS "B" CIRCUIT	1
43	0307265	HARNESS - H.D. MAIN	2
44	0307266	WIRING HARNESS - TAIL "A"	2
45	0307267	WIRING HARNESS - TAIL "B"	2
46	0903069	KIT-BACK UP ALARM	1
47	523-1005300	TERMINAL,10/12GA 10 RING/SHRNK	4
48	GV57	RUBBER GROMMET, ATLANTIC	7
--	0903069	KIT-BACK UP ALARM	
49	0300153	CONNECTOR,WIRE	6
50	0303061	BACK UP ALARM ECCO 510	1
51	0400057	1/4-20X1.25 HHCS	2
52	0400367	1/4-20 NYLOK HEX NUT ZP	2
--	0910943	SHIP KIT, TOOL BOX INTGRTED	
53	0303056	D GASKET- H2 ADHESIVE	16
54	0807435	CHAIN RACK WELD'T, 08	1
55	0907325	KIT - MODULAR MOUNTS	1
56	0907506	KIT-TOOL BOX SUPPORT (ALUM)	1
57	9025068	REFLECTOR-PETERSON B489R DECAL	4
--	0907325	KIT - MODULAR MOUNTS	
58	0400491	1/2" HCL LKWSHR ZP	20
59	0400497	1/2" FLAT WASHER GR 8 YZ PLT	6
60	0400498	FLAT WASHER -1/2ID X 2OD X.125	14
61	0710545	ANGLE - MOUNTING	2
62	0806004	FRONT BODY MOUNT	1
63	9041402	1/2 NC X 1 1/4 HHCS PLT GR8	6
64	9041403	1/2 NC X 1 1/2 HHCS PL GR8	14
65	9402970	TOOLBOX MTG. PAD	14
66	942480011	PLATE,SLOT-SS REAR WASHER TBOX	20
--	0907506	KIT-TOOL BOX SUPPORT (ALUM)	
67	0400125	3/8-16X3.75 HHCS GR5 ZP	4
68	0400392	3/8-16 NYLOK HEX NUT ZINC	4
69	0402120	3/8 FLATWASHER 316 SS	8
70	0806543	TOOL BOX SUPPORT WELDMENT	1

Section II - PART LISTS (cont'd)
2010 ALUMINUM BODY OPTION 180 TANDEM (5230)

ITEM	PART NUMBER	DESCRIPTION	QTY
--	125052180	ALUM BODY 180 TANDEM '10	
1	0910804	BUA-180 TANDEM 2010 ALUM BODY	1
2	0910943	SHIP KIT, TOOL BOX INTGRTED	1
--	0910804	BUA-180 TANDEM 2010 ALUM BODY	
3	0310942	LH 180 CB TANDEM ALUM BODY '10	1
4	0310943	RH 180 CB TANDEM ALUM BODY '10	1
5	0311140	DOOR SEAL	155
6	0400062	1/4-20X3/4 THRD CUT HEX	20
7	0717691	PLATE, WIRE RETAINER ALUMINUM	20
8	0907310	KIT-RUBBER FENDER- ALUM TANDEM	1
9	0907816	KIT-MODULAR WIRE	1
10	0908610	KIT-MODULAR LIGHT 180" 2006	1
11	0910875	KIT, WIRING WITH KEYLESS ENTRY	1
--	0907310	KIT-RUBBER FENDER- ALUM TANDEM	
12	0307151	RUBBER FENDER -GRIFFITH 37042	28
13	0400607	1/4" AL. RIVET X 5/8"	80
--	0907816	KIT-MODULAR WIRE	
14	0300132	14" UV BLK CABLE TIE	75
15	0307177	HARNESS-EXT. L.H. "A" CIRCUIT	2
16	0307178	HARNESS-EXT. L.H. "B" CIRCUIT	2
17	0307179	HARNESS-EXT. R.H. "A" CIRCUIT	2
18	0307180	HARNESS-EXT. R.H. "B" CIRCUIT	2
19	0307181	CROSS-OVER HARNESS "A" CIRCUIT	1
20	0307182	CROSS-OVER HARNESS "B" CIRCUIT	1
21	0307183	HARNESS-WORK LIGHT JUMPER-TAND	2
22	0307184	HARNESS-SIDE MARK-TURN TANDEMS	4
23	0307265	HARNESS - H.D. MAIN	2
24	0307266	WIRING HARNESS - TAIL "A"	2
25	0307267	WIRING HARNESS - TAIL "B"	2
26	0307366	HARNESS EXTENSION - 24" LONG	2
27	0903069	KIT-BACK UP ALARM	1
28	523-1005300	TERMINAL,10/12GA 10 RING/SHRNK	4
29	946803002	MAIN HARNESS EXTENSION	2
30	GV57	RUBBER GROMMET,ATLANTIC	7
--	0903069	KIT-BACK UP ALARM	
31	0300153	CONNECTOR,WIRE	6
32	0303061	BACK UP ALARM ECCO 510	1
33	0400057	1/4-20X1.25 HHCS	2
34	0400367	1/4-20 NYLOK HEX NUT ZP	2
--	0908610	KIT-MODULAR LIGHT 180" 2006	
35	0303127	GROMMET-MARKER FOR 2.5" ROUND	2
36	0303128	GROMMET, OVAL -FOR TAILLIGHT	28
37	0306958	STOP/TURN LGHT-RED LED CLR LEN	4
38	0307220	LIGHT, OVAL AMBER LED	8
39	0307495	LAMP, MINI-MARKER LED	2

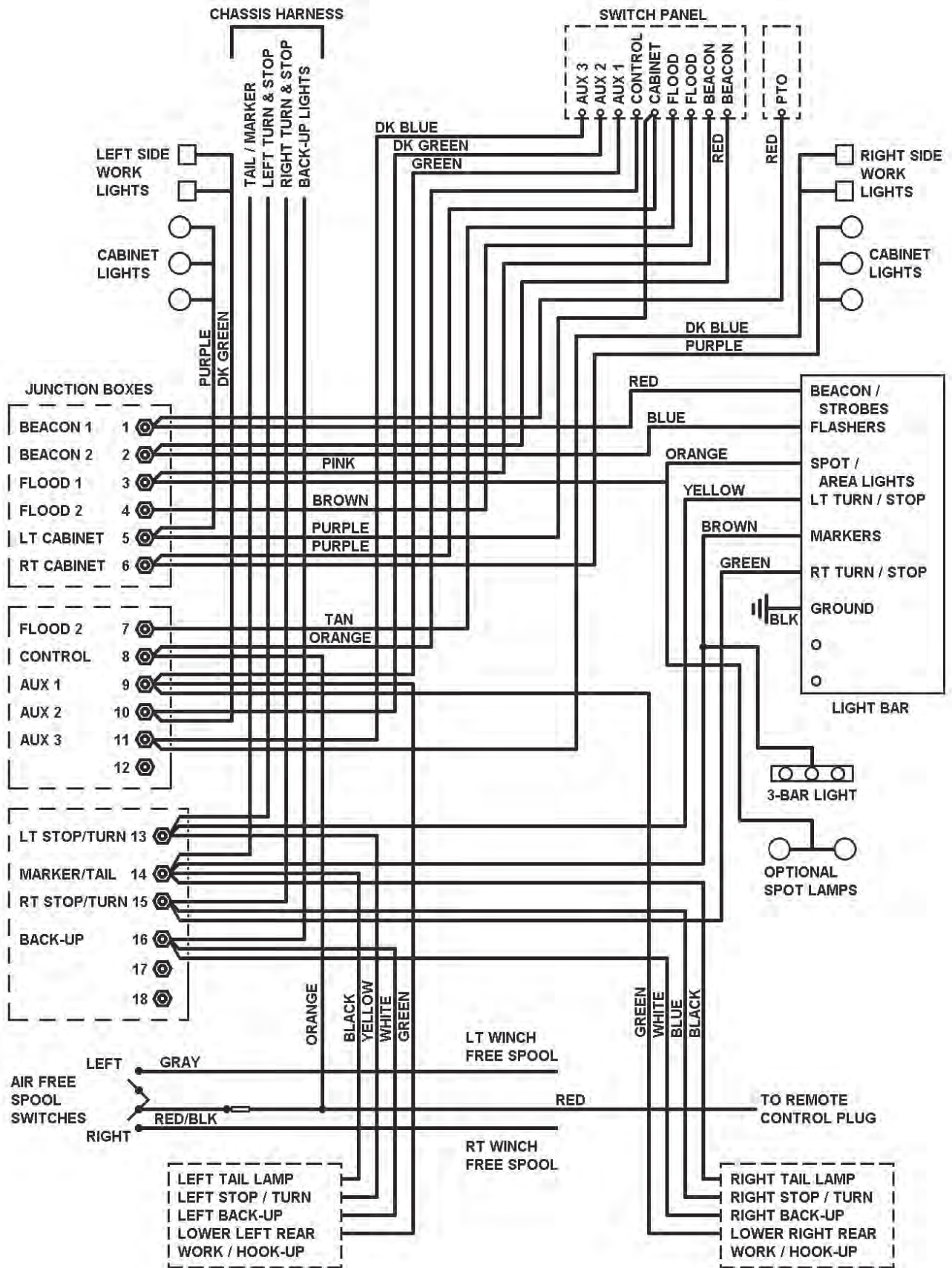
Section II - PARTS LIST (cont'd)

2010 ALUMINUM BODY OPTION 180 TANDEM (5230) (cont'd)

ITEM	PART NUMBER	DESCRIPTION	QTY
--	0908610	KIT-MODULAR LIGHT 180" 2006 (cont'd)	
40	0307710	LIGHT, LED TOOLBOX P4606 RED	14
41	0307981	PIGTAIL, 3-WIRE LAMP W/BULLET	14
42	0310369	LAMP, BACKUP LED CLEAR LENS	2
43	0310496	MARKER SEALED-RED LED CLR LENS	2
44	0400043	10-24X1 OVAL PHILHD MCH	54
45	0400045	10-32X1/2 THRD CUT RD S/S	66
46	0401024	MACH SC.8-32X1 1/2 RND SL ALUM	24
--	0910875	KIT, WIRING WITH KEYLESS ENTRY	
47	0300117	GROMMET, RUBBER 316	12
48	0307513	CABLE WIRE 2/18GA SOOW	15
49	0307537	WIRING HARNESS,VUL SS LWRK TBX	2
50	0307554	JUNCTION BOX,KEYLESS ENTRY PWR	1
51	0310465	SWITCH, SPDT MOMENTARY TOGGLE	1
52	0310562	PLUG, FML BULLET, WHT/BLK	2
53	0310630	CIRCUIT BRKR-30A REPL ATO FUSE	1
54	21473015	FUSE HOLDER	1
55	522-0612001	BRAIN, (RF RECEIVER)- KEYLESS	1
56	522-0612002	RELAY, 12V KEYLESS REMOTE	3
--	0910943	SHIP KIT, TOOL BOX INTGRTED	
57	0303056	D GASKET- H2 ADHESIVE	16
58	0807435	CHAIN RACK WELD'T, 08	1
59	0907325	KIT - MODULAR MOUNTS	1
60	0907506	KIT-TOOL BOX SUPPORT (ALUM)	1
61	9025068	REFLECTOR-PETERSON B489R DECAL	4
--	0907325	KIT - MODULAR MOUNTS	
62	0400491	1/2" HCL LKWSHR ZP	20
63	0400497	1/2" FLAT WASHER GR 8 YZ PLT	6
64	0400498	FLAT WASHER -1/2ID X 2OD X.125	14
65	0710545	ANGLE - MOUNTING	2
66	0806004	FRONT BODY MOUNT	1
67	9041402	1/2 NC X 1 1/4 HHCS PLT GR8	6
68	9041403	1/2 NC X 1 1/2 HHCS PL GR8	14
69	9402970	TOOLBOX MTG. PAD	14
70	942480011	PLATE,SLOT-SS REAR WASHER TBOX	20
--	0907506	KIT-TOOL BOX SUPPORT (ALUM)	
71	0400125	3/8-16X3.75 HHCS GR5 ZP	4
72	0400392	3/8-16 NYLOK HEX NUT ZINC	4
73	0402120	3/8 FLATWASHER 316 SS	8
74	0806543	TOOL BOX SUPPORT WELDMENT	1

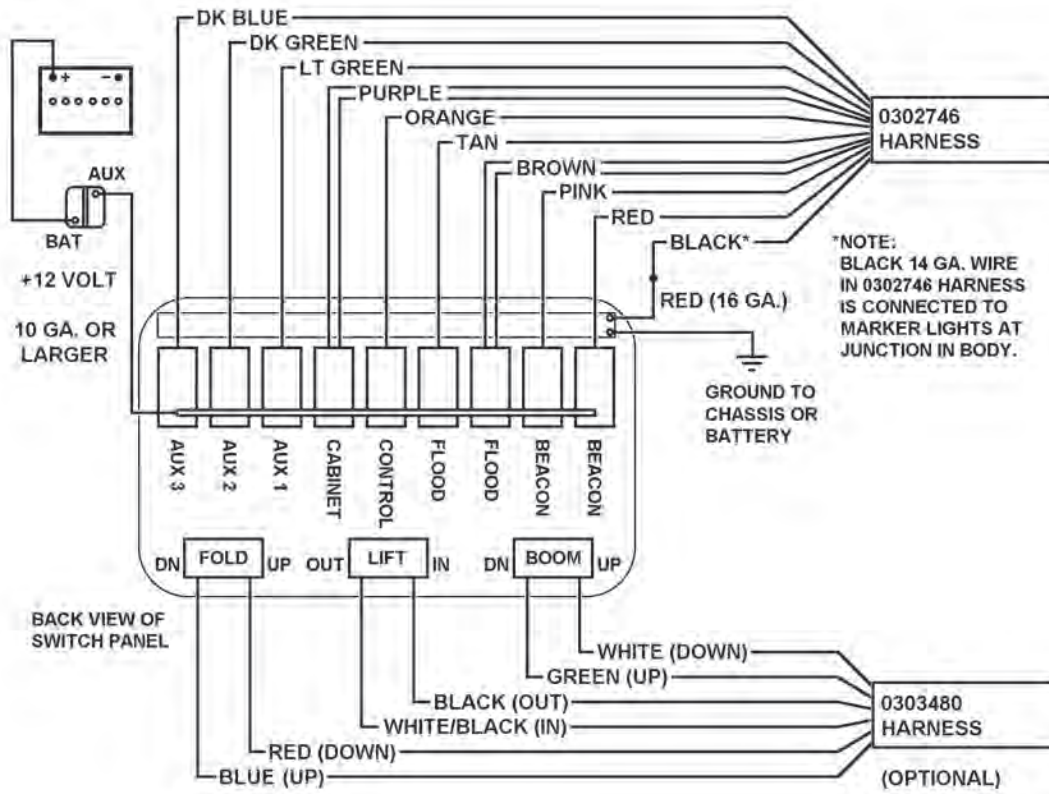
Section III - SCHEMATICS

ELECTRICAL



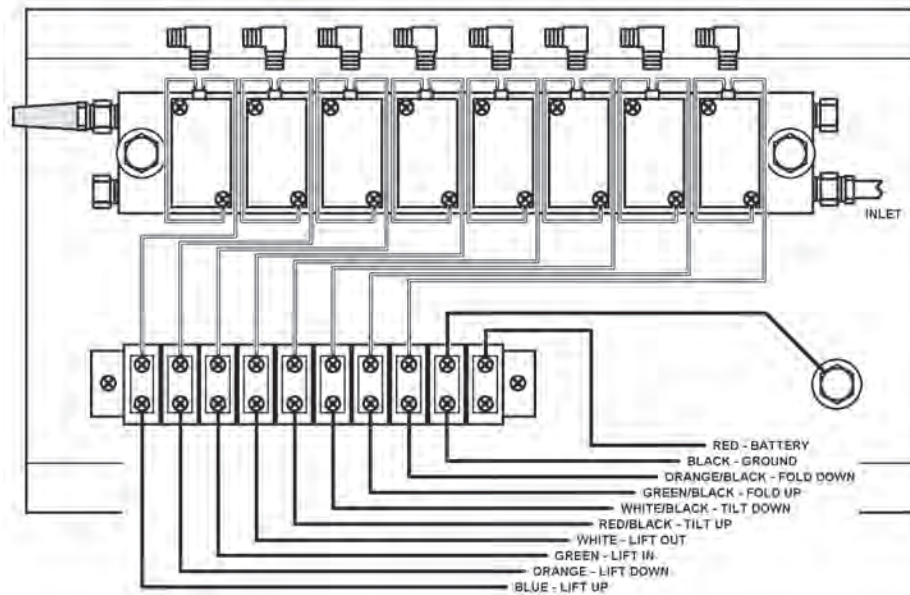
Section III - SCHEMATICS

SWITCH PANEL WIRING

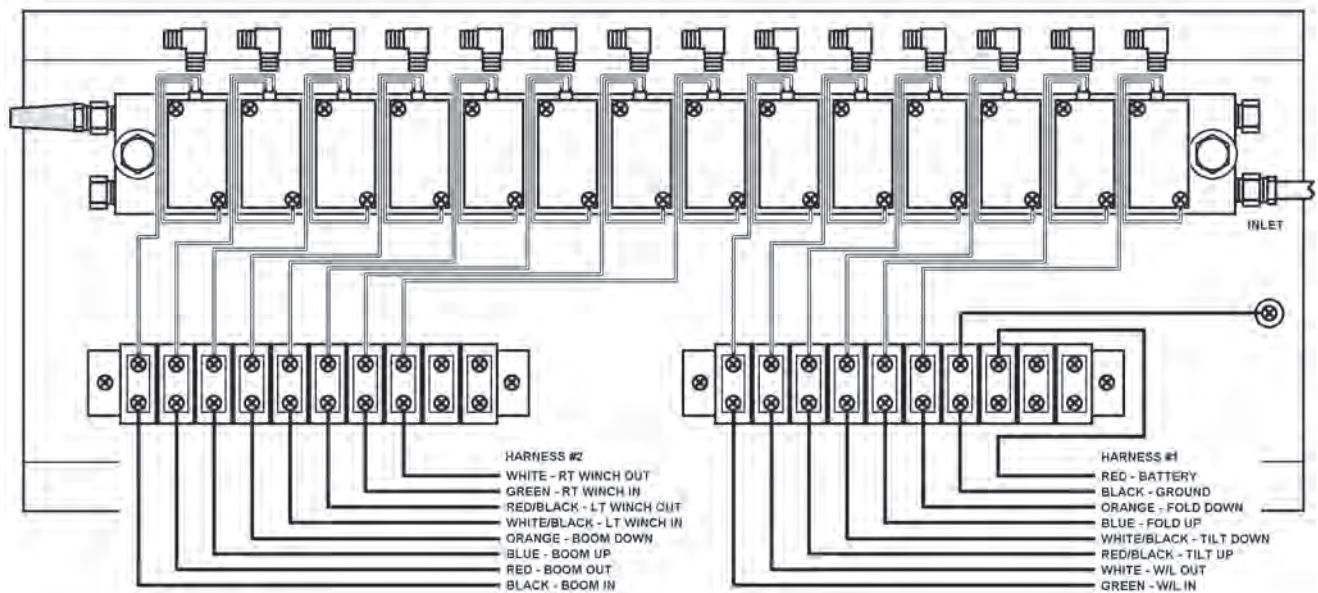


Section III - SCHEMATICS

REMOTE CONTROL ELECTRICAL



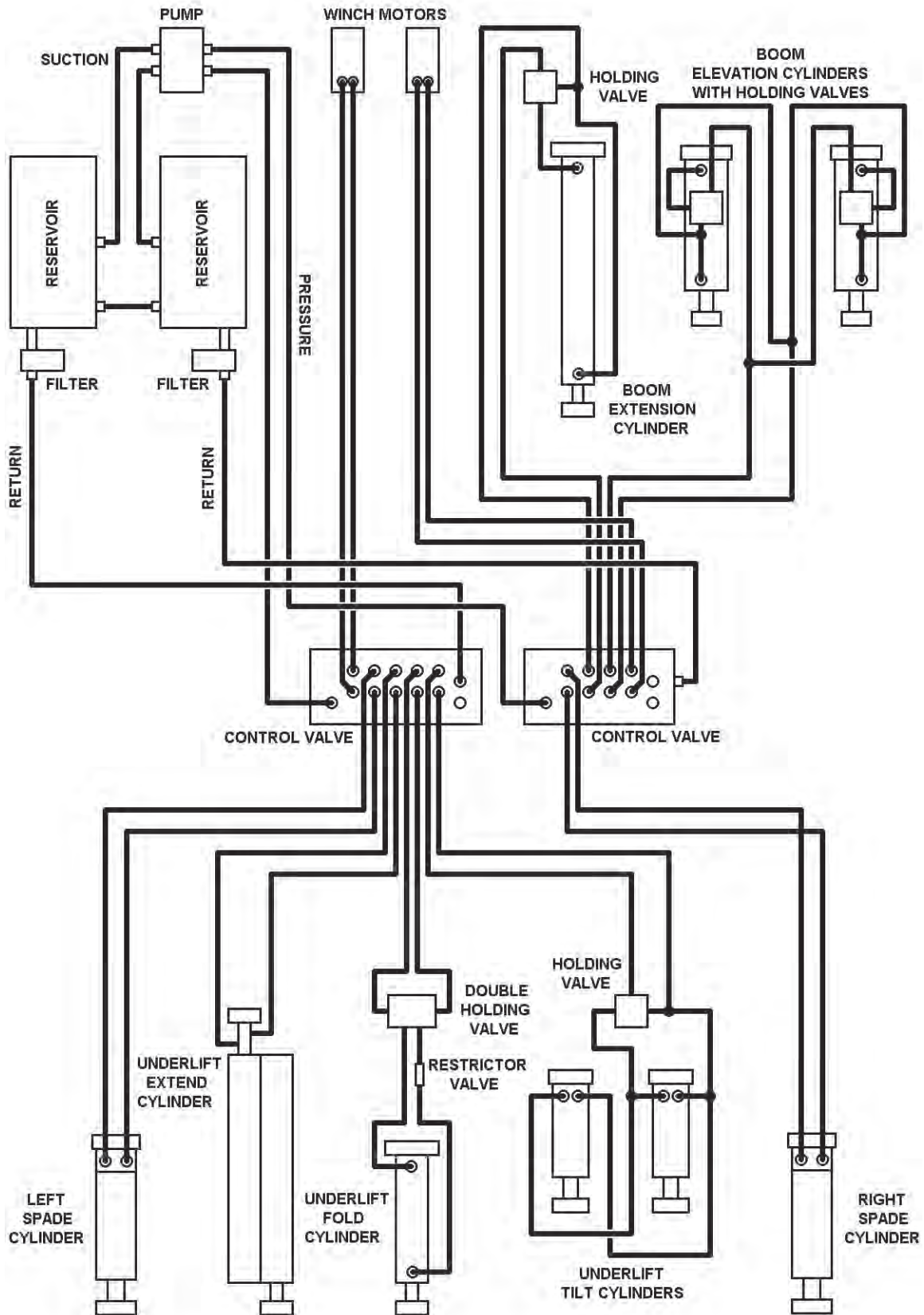
8-POSITION POWER PAL



15-POSITION POWER PAL

Section III - SCHEMATICS

HYDRAULIC



CENTURY®

Miller Industries Towing Equipment Inc.

8503 Hilltop Drive • Ooltewah, Tennessee 37363 • (423) 238-4171

www.millerind.com