

# CENTURY®



**OWNER'S MANUAL**

## **4024 / T2**

### **PARTS**

**NOTE: MANUAL including SPECIFICATIONS subject to change without notice.  
All ratings specified are based on structural factors only, not vehicle capacities or capabilities.**

Miller Industries Towing Equipment Inc.  
8503 Hilltop Drive  
Ooltewah, Tennessee 37363  
Phone (423) 238-4171 • FAX (423) 238-5371

FORM NO. 05005306  
OCT 2023  
Price \$25.00

## LIMITED WARRANTY

MILLER INDUSTRIES TOWING EQUIPMENT INC., hereinafter referred to as MILLER, warrants to the original purchaser that each new MILLER wrecker or other MILLER products will be free from defects in material and workmanship for a period of twelve (12) months from date placed in service, but in no event shall such warranty period exceed twenty-four (24) months from date of manufacture by MILLER. The purchaser must promptly notify MILLER in writing of any failure in material or workmanship. In no event shall MILLER accept such notification later than twenty-four (24) months from date of delivery or twelve (12) months from date placed in service, whichever is earlier.

MILLER's obligation under this warranty, statutory or otherwise, is limited to the repair or replacement at the MILLER factory, or at a point designated by MILLER, of such part or parts as shall appear upon inspection by MILLER to be defective in material or workmanship. New or remanufactured parts will be used for any replacement at MILLER's option. This warranty is not transferable. This warranty does not obligate MILLER to bear the cost of labor or transportation charges in connection with the repair or replacement of any parts found to be defective, nor shall it apply to a product upon which repairs or alterations have been made unless authorized by MILLER.

EXCEPT AS EXPRESSLY SET FORTH IN THIS WARRANTY, MILLER MAKES NO OTHER WARRANTY, EXPRESS OR IMPLIED, AND HEREBY DISCLAIMS ALL OTHER WARRANTIES INCLUDING, BUT NOT LIMITED TO, THE IMPLIED WARRANTIES OF MERCHANTABILITY AND FITNESS FOR A PARTICULAR PURPOSE. MILLER shall in no event be liable for claimed downtime, claimed loss of profits or goodwill, or any other special, incidental, indirect, or consequential damages concerning or relating to any product or parts, whether based on negligence, strict liability, breach of contract, breach of warranty, misrepresentation or any other legal theory, regardless of whether the loss resulted from any general or particular requirement which MILLER knew or had reason to know about at the time of sale.

MILLER MAKES NO WARRANTY, EXPRESS OR IMPLIED, AS TO THE FINISHED PRODUCTS MANUFACTURED OR SUPPLIED BY ANOTHER MANUFACTURER AND SUPPLIED BY MILLER TO PURCHASER, including, but not limited to, any vehicle to which a MILLER product may be affixed or any accessories or wire rope, and MILLER EXPRESSLY DISCLAIMS ANY IMPLIED WARRANTIES OF MERCHANTABILITY OR FITNESS FOR A PARTICULAR PURPOSE AS TO SUCH EQUIPMENT OR PRODUCTS. This language shall in no way affect or diminish the rights of the purchaser to rely on such warranties as are extended by such manufacturers or suppliers. MILLER shall, to the extent permitted under applicable law, pass on to the purchaser such manufacturer's or seller's warranty.

MILLER, whose policy is one of continuous improvement, reserves the right to improve its products through changes in design or materials as it may deem desirable without being obligated to incorporate such changes in products previously sold. This warranty is not intended to cover or include the following items, which are set forth by way of example and not limitation:

- A. Normal deterioration of trim, paint, lettering, and appearance items due to wear or exposure to weather, road conditions, road treatments, etc.
- B. Any damage or defect due to accident, misuse, abuse, improper or unauthorized repairs, failure to provide reasonable and necessary maintenance, or uses for which the equipment was not designed or intended.
- C. Alterations or modifications that affect performance, operation or reliability.
- D. Normal maintenance parts including, but not limited to, wear pads, bushings, wire rope, mud flaps, fenderettes, light bulbs, hydraulic oil, filters, and tow sling belts.

IT IS EXPRESSLY UNDERSTOOD THAT MILLER MAKES NO IMPLIED WARRANTY THAT MILLER PRODUCTS SHALL BE FIT FOR THE PURPOSE OF LIFTING OR MOVING PEOPLE OR FOR ANY OTHER IMPROPER USE.



Miller Industries Towing Equipment Inc.  
8503 Hilltop Drive  
Ooltewah, Tennessee 37363  
Telephone (423) 238-4171

SERIAL NUMBER

## **OWNER, USER AND OPERATOR:**

**We appreciate your choice of our towing and recovery unit for your application. Our number one priority is user safety which is best achieved by our joint efforts. We feel that you can make a major contribution to safety if you, as the equipment owner and operator:**

- 1. Comply with Federal, State, and Local Regulations.**
- 2. Read, Understand, and Follow the Instructions in this Manual.**
- 3. Use Good, Safe Work Practices in a Common Sense Way.**
- 4. Only have Authorized and Trained Personnel performing maintenance on the Towing and Recovery Unit.**

**Use of other than Factory or Factory Authorized Parts may render the Warranty as null and void.**

# TABLE OF CONTENTS

It is assumed by the manufacturer that the Owner/Operator has a thorough knowledge of the accepted and lawful retrieval and towing methods as dictated by his city, county or state. The manufacturer rejects any liability claim that may result from the incorrect or unlawful application of its equipment.

## Section I - PARTS

|   |                |
|---|----------------|
| 0910768, 4024 / T2 BASIC UNIT ASSEMBLY .....        | I-2 thru I-23  |
| 0903613, 4024 / T2 UNDERLIFT & TOWER ASSEMBLY ..... | I-24 & I-25    |
| 0903752, 4024 / T2 HORIZONTAL BOOM ASSEMBLY .....   | I-26 thru I-33 |
| 0904095, CROSSBAR ASSEMBLY .....                    | I-34 & I-35    |
| 0911762 HOOK RETAINER ASSEMBLY .....                | I-36 & I-37    |
| 0906399, REAR SPADE ASSEMBLY .....                  | I-38 & I-39    |
| 0907320, SUBFRAME ASSEMBLY - 4024 / T2 .....        | I-40 thru I-47 |
| 0902353, TANK KIT - 3224 .....                      | I-48 & I-49    |
| 09003536 PAN VALVE ASSEMBLY .....                   | I-50 thru I-53 |
| 0903696 COVER ASSEMBLY .....                        | I-54 & I-55    |
| 09006494 VALVE ASSEMBLY, PARKER 4 SPOOL .....       | I-56 & I-57    |
| 09006495 VALVE ASSEMBLY, PARKER 5 SPOOL .....       | I-58 & I-59    |
| 0907708 CONTROL KIT RIGHT HAND .....                | I-60 & I-61    |
| 0907757 CONTROL KIT LEFT HAND .....                 | I-62 & I-63    |
| 0907893, CONTROL ASSEMBLY (9) HANDLES .....         | I-64 & I-65    |
| 0907894, CONTROL ASSEMBLY (6) HANDLES .....         | I-66 & I-67    |

# TABLE OF CONTENTS

It is assumed by the manufacturer that the Owner/Operator has a thorough knowledge of the accepted and lawful retrieval and towing methods as dictated by his city, county or state. The manufacturer rejects any liability claim that may result from the incorrect or unlawful application of its equipment.

## Section I - PARTS (cont'd)

0910769, BOOM INSTALL 4024 / T2 2009 . . . . . I-68 thru I-71

0910770, BOOM ASSEMBLY 4024 / T2 2009 . . . . . I-72 thru I-79

0906530, BOOM SWIVEL ASSEMBLY . . . . . I-80 & I-81



## Section I - PARTS

REF. 05005306

This Section is provided by the manufacturer for the purpose of ordering any component part of the **4024 / T2 Recovery Unit** that may be required when part replacement is necessary. Be certain to use only original equipment replacement parts for warranty purposes as well as for keeping your unit in its original state and optimum operating capacities.

When ordering replacement or spare parts be sure to provide the following information to the manufacturer's **Parts Department**.

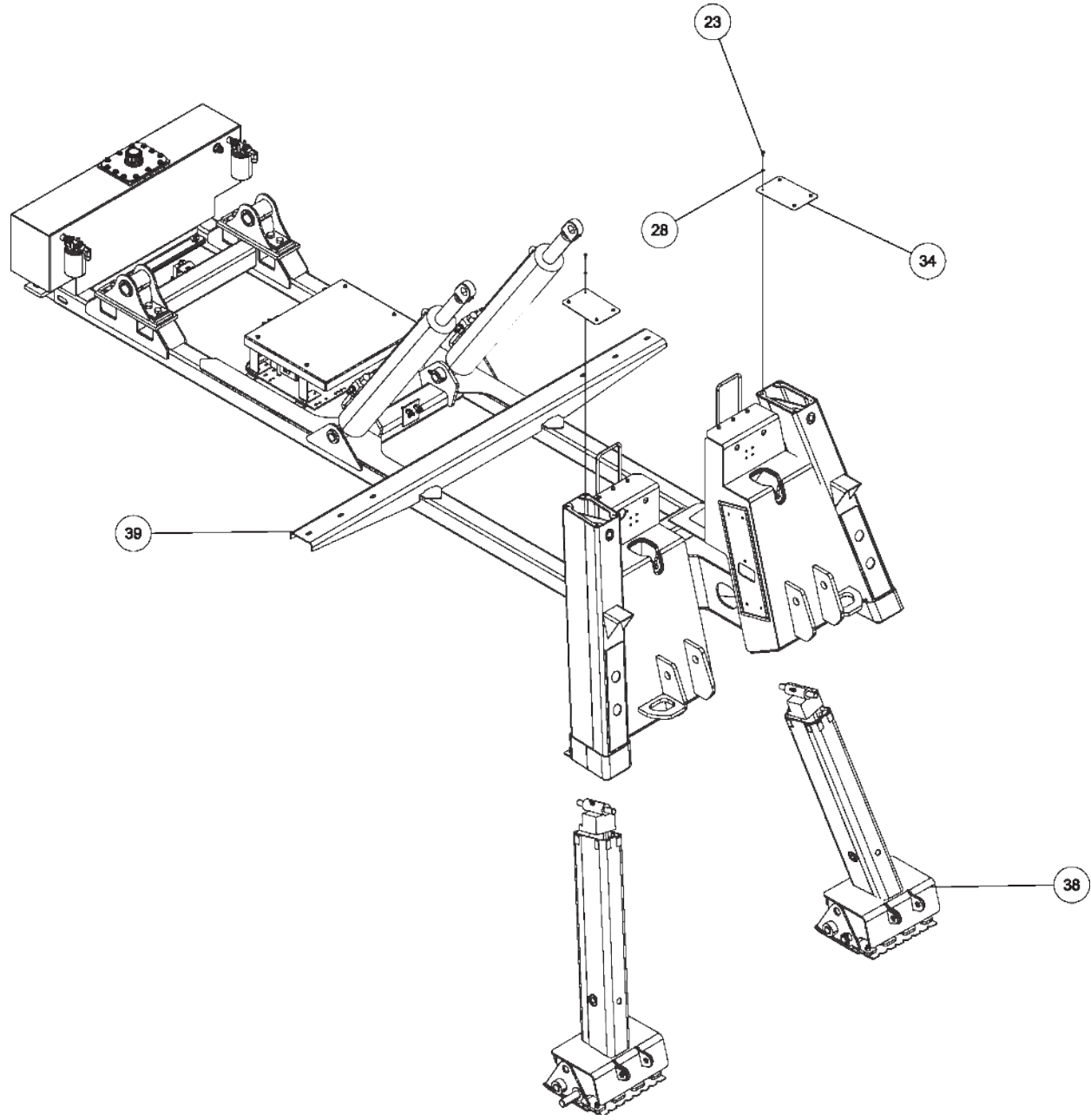
1. **Manual Number & Date of Publication**
2. **Manual Page Number**
3. **Page Title**
4. **Reference Number of Part Desired**
5. **Part Number**
6. **Part Description**
7. **Quantity of Part Desired**
8. **Unit Serial Number**

Providing this information will help ensure that the correct parts will be delivered to you in an expedient manner without delay. Should additional information be required for repair or replacement of certain components, contact your Wrecker Manufacturer Authorized Representative.

The Manufacturer reserves the right, without notice or obligation, to improve or modify their products, which may change the specifications, models and feature availability.

Section I - PARTS

0910768, 4024 / T2 BASIC UNIT ASSEMBLY





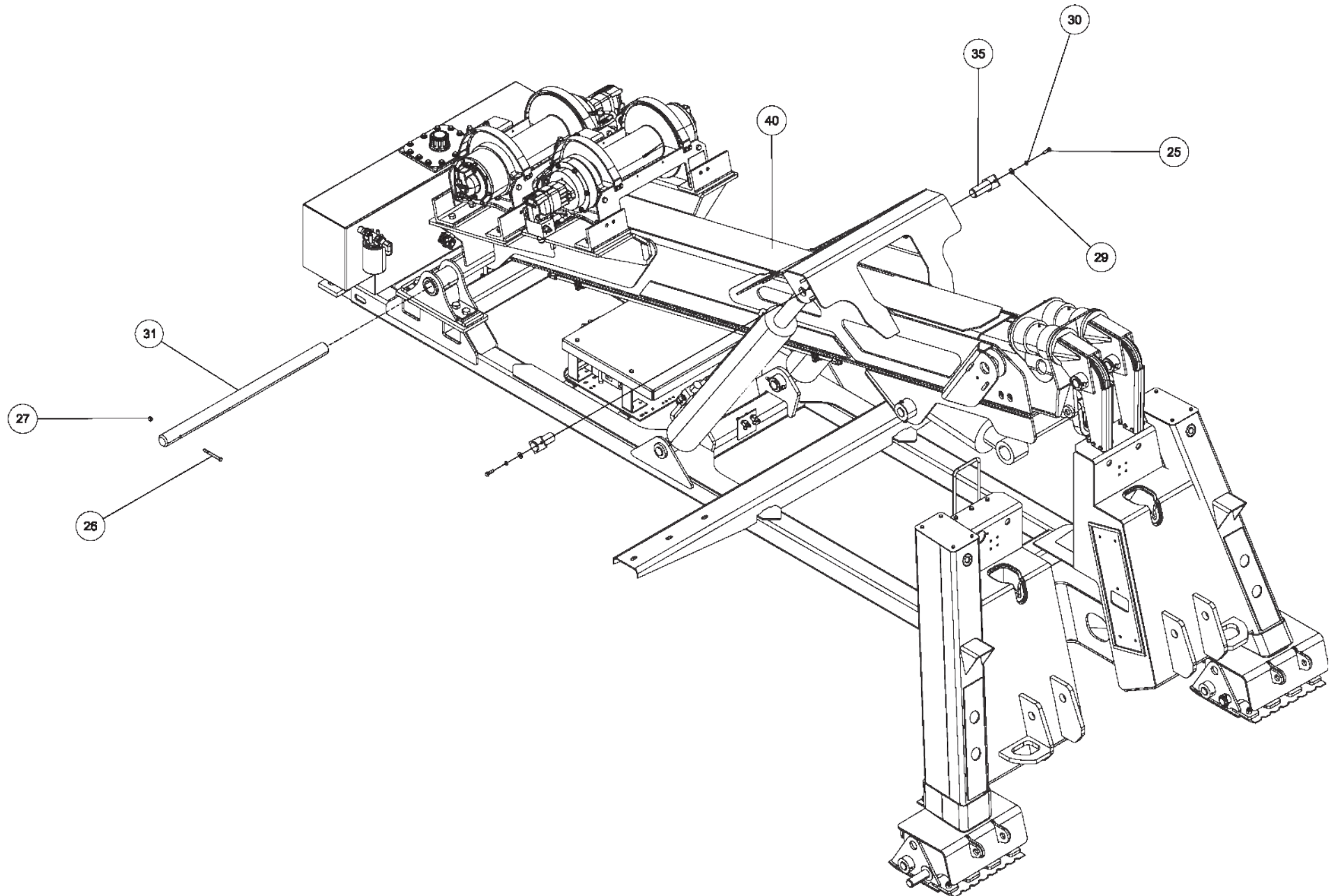
Section I - PARTS

0910768, 4024 / T2 BASIC UNIT ASSEMBLY (cont'd)

| ITEM | PART NUMBER | DESCRIPTION                    | QTY |
|------|-------------|--------------------------------|-----|
|      | 0910768     | BASIC UNIT ASSY 4024/T2        |     |
| 1    | 0300113     | GREASE FITTING, 1/4-28 STR     | 2   |
| 2    | 0300689     | HYD FITTING,90 F-ELL 8MJ-8FP90 | 4   |
| 3    | 0301207     | HOSE HYD, 72"                  | 2   |
| 4    | 0301473     | HOSE HYD, 18" LG               | 2   |
| 5    | 0301485     | HOSE HYD, 81 4C2AT             | 2   |
| 6    | 0301819     | PIPE, 1/2X4.5 BLK NIPPLE       | 4   |
| 7    | 0301837     | INLINE ORIFICE                 | 1   |
| 8    | 0301880     | HOSE HYD, 107"                 | 2   |
| 9    | 0302000     | HOSE HYD, 24"                  | 1   |
| 10   | 0302035     | HOSE HYD, 18" 6FJX-6FJX -6M1T  | 1   |
| 11   | 0302036     | HOSE HYD, 26"                  | 1   |
| 12   | 0302581     | HOSE HYD, 36"                  | 4   |
| 13   | 0302582     | HOSE HYD, 36"                  | 3   |
| 14   | 0302596     | HOSE HYD, 34"                  | 2   |
| 15   | 0302604     | HOSE HYD, 44"                  | 2   |
| 16   | 0302605     | HOSE HYD, 44"                  | 1   |
| 17   | 0302635     | HOSE HYD, 131" LG              | 1   |
| 18   | 0302805     | HOSE HYD, 10"                  | 2   |
| 19   | 0302815     | HOSE HYD, 32"                  | 1   |
| 20   | 0303175     | HOSE HYD, 102" LG              | 4   |
| 21   | 0303394     | HOSE HYD, 46"                  | 2   |
| 22   | 0303438     | HOSE HYD, 92"                  | 2   |
| 23   | 0400066     | SCREW, 1/4-20X3/4 HHC GR5      | 8   |
| 24   | 0400121     | SCREW, 3/8-16X3/4 HHC GR5      | 2   |
| 25   | 0400122     | SCREW, 3/8-16X1-1/4 HHC GR5    | 2   |
| 26   | 0400130     | SCREW, 3/8-16X3-1/2 HHC GR5    | 4   |
| 27   | 0400392     | NUT, 3/8-16 LOK                | 4   |
| 28   | 0400452     | LKWASHER, 1/4                  | 8   |
| 29   | 0400480     | WASHER, 3/8                    | 4   |
| 30   | 0400482     | LKWASHER, 3/8                  | 4   |
| 31   | 0707342     | PIN, PIVOT BOOM                | 1   |
| 32   | 0710140     | BUSHING, TILT CYL              | 2   |
| 33   | 0710144     | PIN, TILT CYL ROD              | 1   |
| 34   | 0715796     | PLATE, COVER SPADES 4024       | 2   |
| 35   | 0802240     | PIN-PIVOT-LIFT CYL.            | 2   |
| 36   | 0802935     | PIN-PIVOT WELDMENT             | 2   |
| 37   | 0903613     | UNDERLIFT & TOWER ASSY         | 1   |
| 38   | 0906399     | REAR SPADE ASSY                | 1   |
| 39   | 0907320     | SUBFRAME ASSY - 4024/T2        | 1   |
| 40   | 0910769     | BOOM INST 4024/T2 2009         | 1   |

Section I - PARTS

0910768, 4024 / T2 BASIC UNIT ASSEMBLY (cont'd)



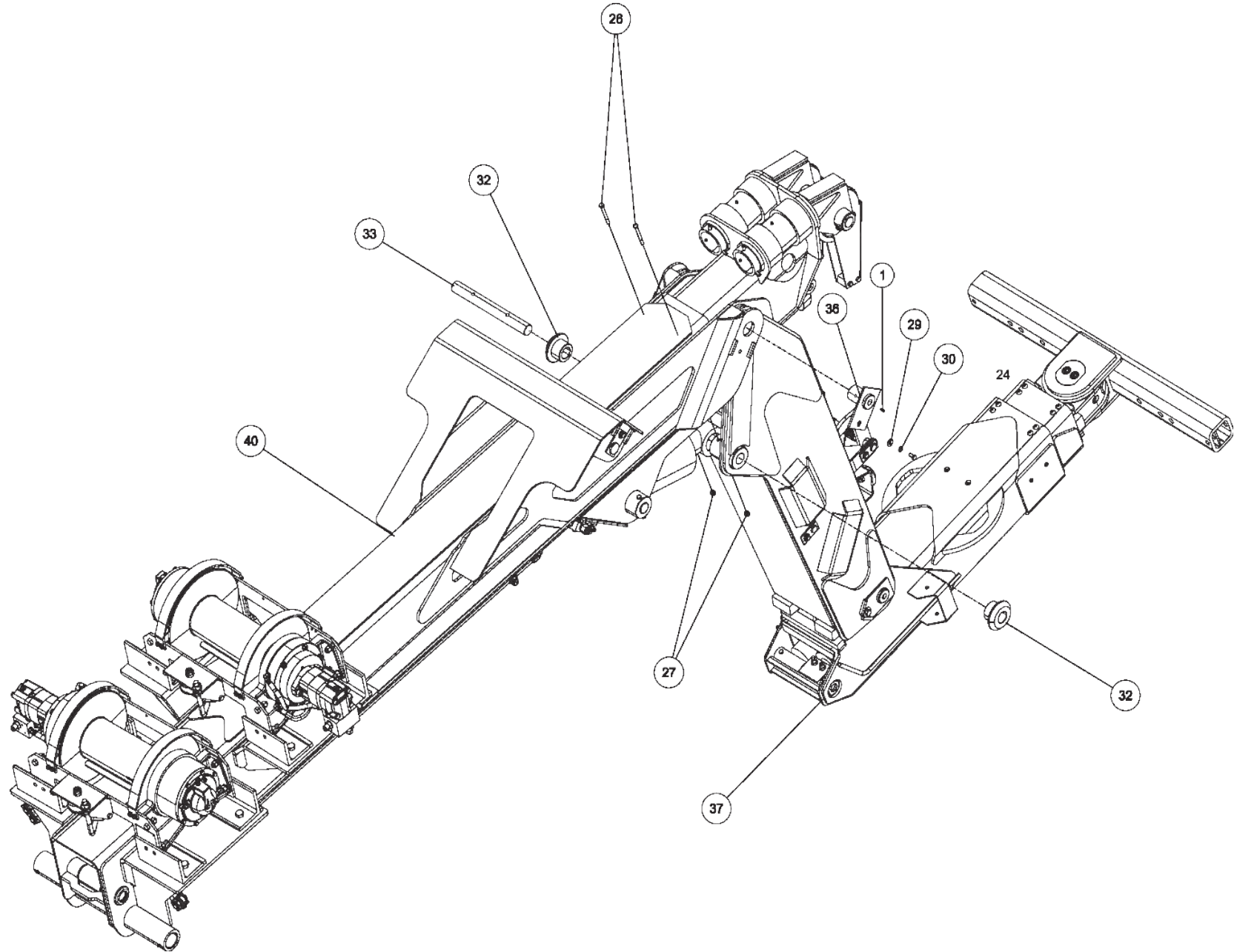
**Section I - PARTS**

**0910768, 4024 / T2 BASIC UNIT ASSEMBLY (cont'd)**

| ITEM | PART NUMBER | DESCRIPTION                    | QTY |
|------|-------------|--------------------------------|-----|
|      | 0910768     | BASIC UNIT ASSY 4024/T2        |     |
| 1    | 0300113     | GREASE FITTING, 1/4-28 STR     | 2   |
| 2    | 0300689     | HYD FITTING,90 F-ELL 8MJ-8FP90 | 4   |
| 3    | 0301207     | HOSE HYD, 72"                  | 2   |
| 4    | 0301473     | HOSE HYD, 18" LG               | 2   |
| 5    | 0301485     | HOSE HYD, 81 4C2AT             | 2   |
| 6    | 0301819     | PIPE, 1/2X4.5 BLK NIPPLE       | 4   |
| 7    | 0301837     | INLINE ORIFICE                 | 1   |
| 8    | 0301880     | HOSE HYD, 107"                 | 2   |
| 9    | 0302000     | HOSE HYD, 24"                  | 1   |
| 10   | 0302035     | HOSE HYD, 18" 6FJX-6FJX -6M1T  | 1   |
| 11   | 0302036     | HOSE HYD, 26"                  | 1   |
| 12   | 0302581     | HOSE HYD, 36"                  | 4   |
| 13   | 0302582     | HOSE HYD, 36"                  | 3   |
| 14   | 0302596     | HOSE HYD, 34"                  | 2   |
| 15   | 0302604     | HOSE HYD, 44"                  | 2   |
| 16   | 0302605     | HOSE HYD, 44"                  | 1   |
| 17   | 0302635     | HOSE HYD, 131" LG              | 1   |
| 18   | 0302805     | HOSE HYD, 10"                  | 2   |
| 19   | 0302815     | HOSE HYD, 32"                  | 1   |
| 20   | 0303175     | HOSE HYD, 102" LG              | 4   |
| 21   | 0303394     | HOSE HYD, 46"                  | 2   |
| 22   | 0303438     | HOSE HYD, 92"                  | 2   |
| 23   | 0400066     | SCREW, 1/4-20X3/4 HHC GR5      | 8   |
| 24   | 0400121     | SCREW, 3/8-16X3/4 HHC GR5      | 2   |
| 25   | 0400122     | SCREW, 3/8-16X1-1/4 HHC GR5    | 2   |
| 26   | 0400130     | SCREW, 3/8-16X3-1/2 HHC GR5    | 4   |
| 27   | 0400392     | NUT, 3/8-16 LOK                | 4   |
| 28   | 0400452     | LKWASHER, 1/4                  | 8   |
| 29   | 0400480     | WASHER, 3/8                    | 4   |
| 30   | 0400482     | LKWASHER, 3/8                  | 4   |
| 31   | 0707342     | PIN, PIVOT BOOM                | 1   |
| 32   | 0710140     | BUSHING, TILT CYL              | 2   |
| 33   | 0710144     | PIN, TILT CYL ROD              | 1   |
| 34   | 0715796     | PLATE, COVER SPADES 4024       | 2   |
| 35   | 0802240     | PIN-PIVOT-LIFT CYL.            | 2   |
| 36   | 0802935     | PIN-PIVOT WELDMENT             | 2   |
| 37   | 0903613     | UNDERLIFT & TOWER ASSY         | 1   |
| 38   | 0906399     | REAR SPADE ASSY                | 1   |
| 39   | 0907320     | SUBFRAME ASSY - 4024/T2        | 1   |
| 40   | 0910769     | BOOM INST 4024/T2 2009         | 1   |

Section I - PARTS

0910768, 4024 / T2 BASIC UNIT ASSEMBLY (cont'd)



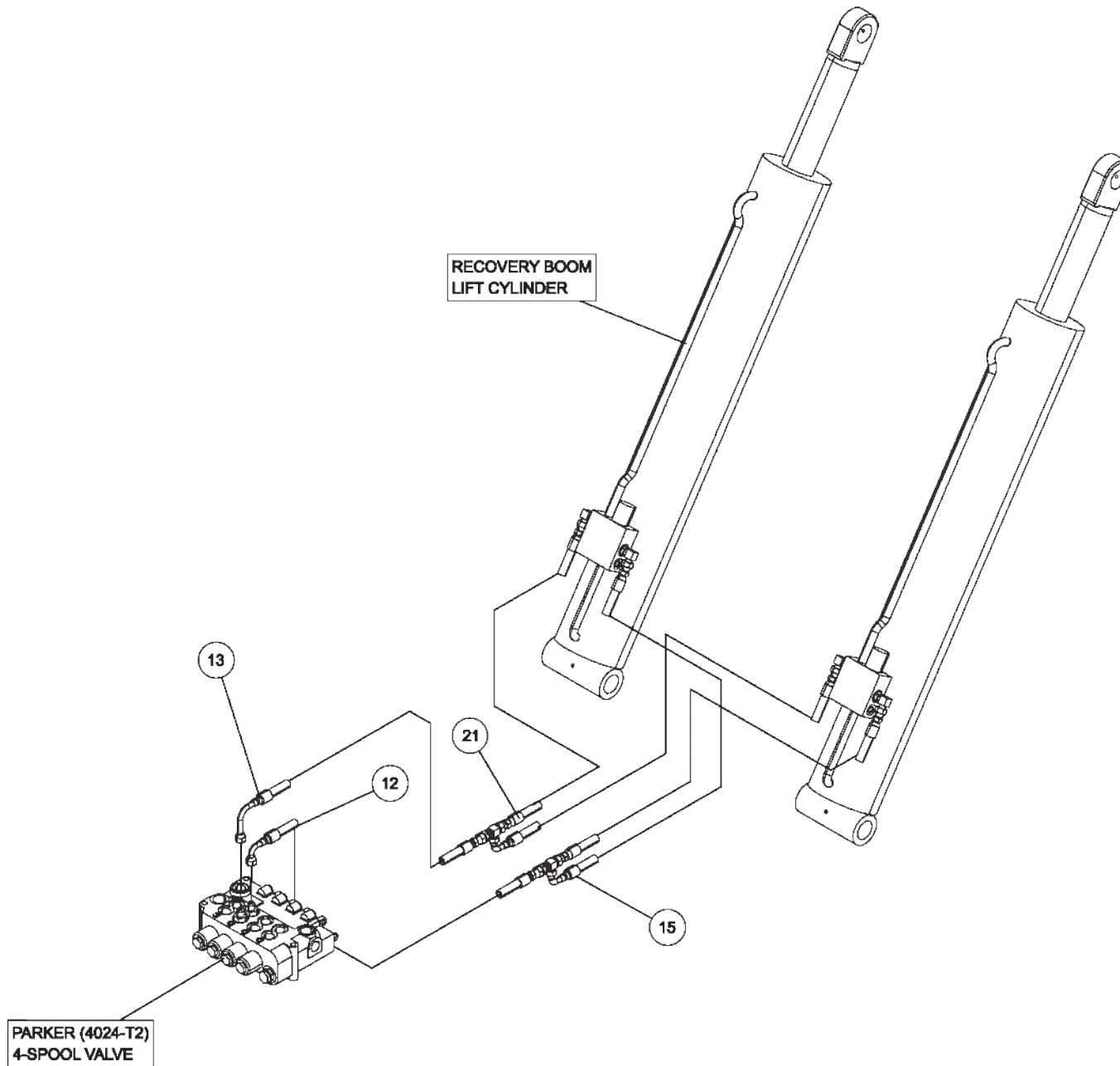
**Section I - PARTS**

**0910768, 4024 / T2 BASIC UNIT ASSEMBLY (cont'd)**

| ITEM | PART NUMBER | DESCRIPTION                    | QTY |
|------|-------------|--------------------------------|-----|
|      | 0910768     | BASIC UNIT ASSY 4024/T2        |     |
| 1    | 0300113     | GREASE FITTING, 1/4-28 STR     | 2   |
| 2    | 0300689     | HYD FITTING,90 F-ELL 8MJ-8FP90 | 4   |
| 3    | 0301207     | HOSE HYD, 72"                  | 2   |
| 4    | 0301473     | HOSE HYD, 18" LG               | 2   |
| 5    | 0301485     | HOSE HYD, 81 4C2AT             | 2   |
| 6    | 0301819     | PIPE, 1/2X4.5 BLK NIPPLE       | 4   |
| 7    | 0301837     | INLINE ORIFICE                 | 1   |
| 8    | 0301880     | HOSE HYD, 107"                 | 2   |
| 9    | 0302000     | HOSE HYD, 24"                  | 1   |
| 10   | 0302035     | HOSE HYD, 18" 6FJX-6FJX -6M1T  | 1   |
| 11   | 0302036     | HOSE HYD, 26"                  | 1   |
| 12   | 0302581     | HOSE HYD, 36"                  | 4   |
| 13   | 0302582     | HOSE HYD, 36"                  | 3   |
| 14   | 0302596     | HOSE HYD, 34"                  | 2   |
| 15   | 0302604     | HOSE HYD, 44"                  | 2   |
| 16   | 0302605     | HOSE HYD, 44"                  | 1   |
| 17   | 0302635     | HOSE HYD, 131" LG              | 1   |
| 18   | 0302805     | HOSE HYD, 10"                  | 2   |
| 19   | 0302815     | HOSE HYD, 32"                  | 1   |
| 20   | 0303175     | HOSE HYD, 102" LG              | 4   |
| 21   | 0303394     | HOSE HYD, 46"                  | 2   |
| 22   | 0303438     | HOSE HYD, 92"                  | 2   |
| 23   | 0400066     | SCREW, 1/4-20X3/4 HHC GR5      | 8   |
| 24   | 0400121     | SCREW, 3/8-16X3/4 HHC GR5      | 2   |
| 25   | 0400122     | SCREW, 3/8-16X1-1/4 HHC GR5    | 2   |
| 26   | 0400130     | SCREW, 3/8-16X3-1/2 HHC GR5    | 4   |
| 27   | 0400392     | NUT, 3/8-16 LOK                | 4   |
| 28   | 0400452     | LKWASHER, 1/4                  | 8   |
| 29   | 0400480     | WASHER, 3/8                    | 4   |
| 30   | 0400482     | LKWASHER, 3/8                  | 4   |
| 31   | 0707342     | PIN, PIVOT BOOM                | 1   |
| 32   | 0710140     | BUSHING, TILT CYL              | 2   |
| 33   | 0710144     | PIN, TILT CYL ROD              | 1   |
| 34   | 0715796     | PLATE, COVER SPADES 4024       | 2   |
| 35   | 0802240     | PIN-PIVOT-LIFT CYL.            | 2   |
| 36   | 0802935     | PIN-PIVOT WELDMENT             | 2   |
| 37   | 0903613     | UNDERLIFT & TOWER ASSY         | 1   |
| 38   | 0906399     | REAR SPADE ASSY                | 1   |
| 39   | 0907320     | SUBFRAME ASSY - 4024/T2        | 1   |
| 40   | 0910769     | BOOM INST 4024/T2 2009         | 1   |

Section I - PARTS

0910768, 4024 / T2 BASIC UNIT ASSEMBLY (cont'd)



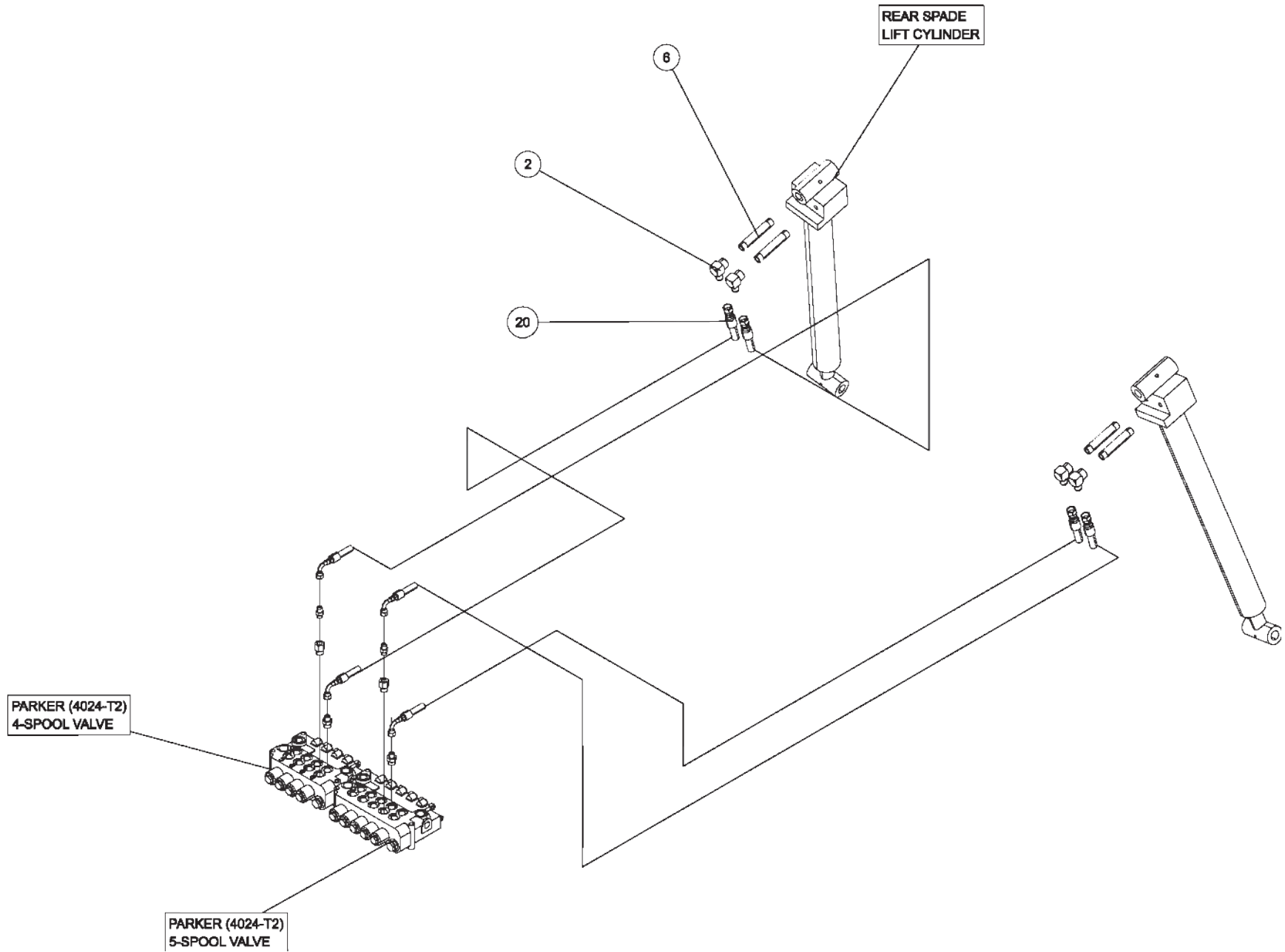
## Section I - PARTS

### 0910768, 4024 / T2 BASIC UNIT ASSEMBLY (cont'd)

| ITEM | PART NUMBER | DESCRIPTION                    | QTY |
|------|-------------|--------------------------------|-----|
|      | 0910768     | BASIC UNIT ASSY 4024/T2        |     |
| 1    | 0300113     | GREASE FITTING, 1/4-28 STR     | 2   |
| 2    | 0300689     | HYD FITTING,90 F-ELL 8MJ-8FP90 | 4   |
| 3    | 0301207     | HOSE HYD, 72"                  | 2   |
| 4    | 0301473     | HOSE HYD, 18" LG               | 2   |
| 5    | 0301485     | HOSE HYD, 81 4C2AT             | 2   |
| 6    | 0301819     | PIPE, 1/2X4.5 BLK NIPPLE       | 4   |
| 7    | 0301837     | INLINE ORIFICE                 | 1   |
| 8    | 0301880     | HOSE HYD, 107"                 | 2   |
| 9    | 0302000     | HOSE HYD, 24"                  | 1   |
| 10   | 0302035     | HOSE HYD, 18" 6FJX-6FJX -6M1T  | 1   |
| 11   | 0302036     | HOSE HYD, 26"                  | 1   |
| 12   | 0302581     | HOSE HYD, 36"                  | 4   |
| 13   | 0302582     | HOSE HYD, 36"                  | 3   |
| 14   | 0302596     | HOSE HYD, 34"                  | 2   |
| 15   | 0302604     | HOSE HYD, 44"                  | 2   |
| 16   | 0302605     | HOSE HYD, 44"                  | 1   |
| 17   | 0302635     | HOSE HYD, 131" LG              | 1   |
| 18   | 0302805     | HOSE HYD, 10"                  | 2   |
| 19   | 0302815     | HOSE HYD, 32"                  | 1   |
| 20   | 0303175     | HOSE HYD, 102" LG              | 4   |
| 21   | 0303394     | HOSE HYD, 46"                  | 2   |
| 22   | 0303438     | HOSE HYD, 92"                  | 2   |
| 23   | 0400066     | SCREW, 1/4-20X3/4 HHC GR5      | 8   |
| 24   | 0400121     | SCREW, 3/8-16X3/4 HHC GR5      | 2   |
| 25   | 0400122     | SCREW, 3/8-16X1-1/4 HHC GR5    | 2   |
| 26   | 0400130     | SCREW, 3/8-16X3-1/2 HHC GR5    | 4   |
| 27   | 0400392     | NUT, 3/8-16 LOK                | 4   |
| 28   | 0400452     | LKWASHER, 1/4                  | 8   |
| 29   | 0400480     | WASHER, 3/8                    | 4   |
| 30   | 0400482     | LKWASHER, 3/8                  | 4   |
| 31   | 0707342     | PIN, PIVOT BOOM                | 1   |
| 32   | 0710140     | BUSHING, TILT CYL              | 2   |
| 33   | 0710144     | PIN, TILT CYL ROD              | 1   |
| 34   | 0715796     | PLATE, COVER SPADES 4024       | 2   |
| 35   | 0802240     | PIN-PIVOT-LIFT CYL.            | 2   |
| 36   | 0802935     | PIN-PIVOT WELDMENT             | 2   |
| 37   | 0903613     | UNDERLIFT & TOWER ASSY         | 1   |
| 38   | 0906399     | REAR SPADE ASSY                | 1   |
| 39   | 0907320     | SUBFRAME ASSY - 4024/T2        | 1   |
| 40   | 0910769     | BOOM INST 4024/T2 2009         | 1   |

Section I - PARTS

0910768, 4024 / T2 BASIC UNIT ASSEMBLY (cont'd)





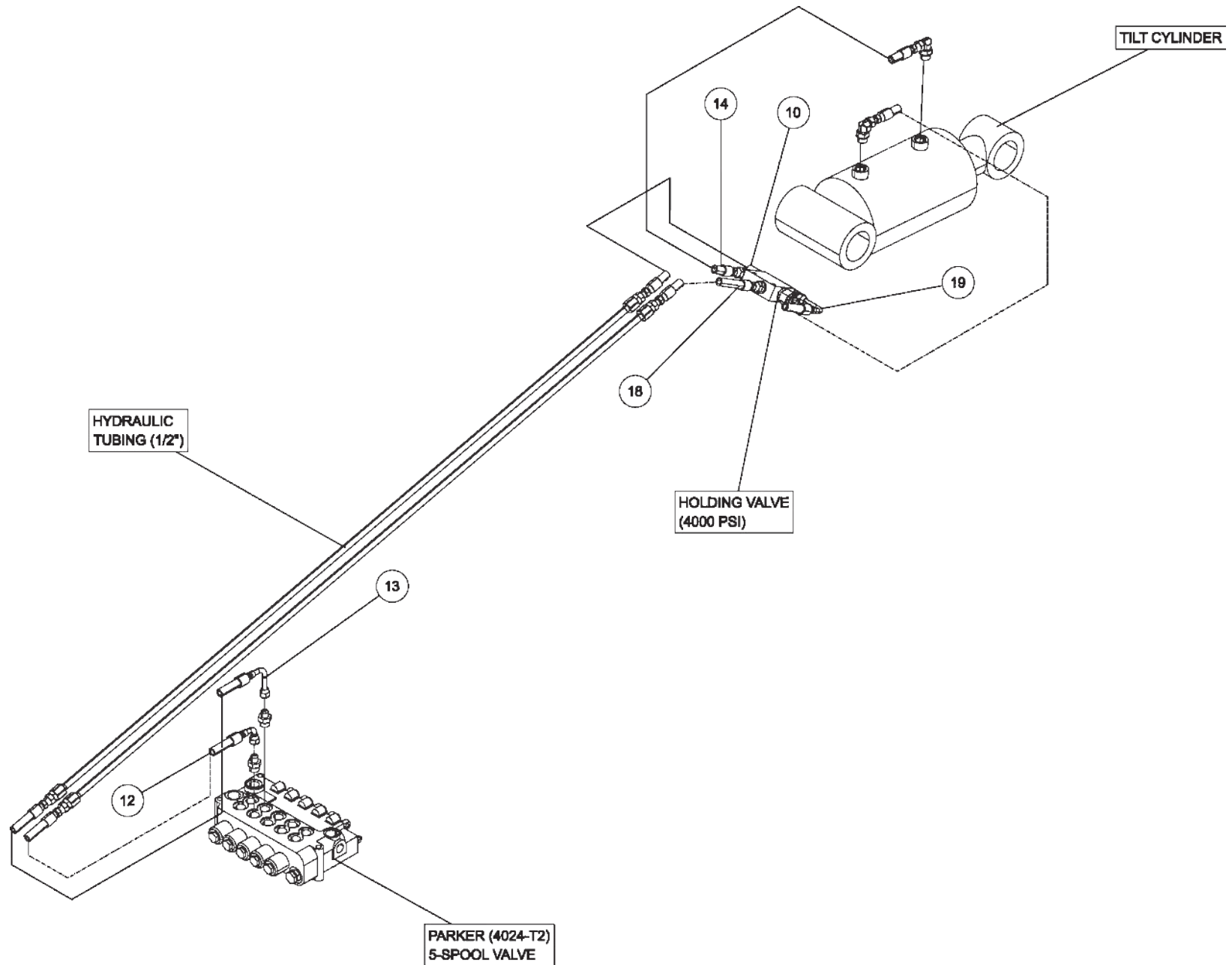
## Section I - PARTS

### 0910768, 4024 / T2 BASIC UNIT ASSEMBLY (cont'd)

| ITEM | PART NUMBER | DESCRIPTION                    | QTY |
|------|-------------|--------------------------------|-----|
|      | 0910768     | BASIC UNIT ASSY 4024/T2        |     |
| 1    | 0300113     | GREASE FITTING, 1/4-28 STR     | 2   |
| 2    | 0300689     | HYD FITTING,90 F-ELL 8MJ-8FP90 | 4   |
| 3    | 0301207     | HOSE HYD, 72"                  | 2   |
| 4    | 0301473     | HOSE HYD, 18" LG               | 2   |
| 5    | 0301485     | HOSE HYD, 81 4C2AT             | 2   |
| 6    | 0301819     | PIPE, 1/2X4.5 BLK NIPPLE       | 4   |
| 7    | 0301837     | INLINE ORIFICE                 | 1   |
| 8    | 0301880     | HOSE HYD, 107"                 | 2   |
| 9    | 0302000     | HOSE HYD, 24"                  | 1   |
| 10   | 0302035     | HOSE HYD, 18" 6FJX-6FJX -6M1T  | 1   |
| 11   | 0302036     | HOSE HYD, 26"                  | 1   |
| 12   | 0302581     | HOSE HYD, 36"                  | 4   |
| 13   | 0302582     | HOSE HYD, 36"                  | 3   |
| 14   | 0302596     | HOSE HYD, 34"                  | 2   |
| 15   | 0302604     | HOSE HYD, 44"                  | 2   |
| 16   | 0302605     | HOSE HYD, 44"                  | 1   |
| 17   | 0302635     | HOSE HYD, 131" LG              | 1   |
| 18   | 0302805     | HOSE HYD, 10"                  | 2   |
| 19   | 0302815     | HOSE HYD, 32"                  | 1   |
| 20   | 0303175     | HOSE HYD, 102" LG              | 4   |
| 21   | 0303394     | HOSE HYD, 46"                  | 2   |
| 22   | 0303438     | HOSE HYD, 92"                  | 2   |
| 23   | 0400066     | SCREW, 1/4-20X3/4 HHC GR5      | 8   |
| 24   | 0400121     | SCREW, 3/8-16X3/4 HHC GR5      | 2   |
| 25   | 0400122     | SCREW, 3/8-16X1-1/4 HHC GR5    | 2   |
| 26   | 0400130     | SCREW, 3/8-16X3-1/2 HHC GR5    | 4   |
| 27   | 0400392     | NUT, 3/8-16 LOK                | 4   |
| 28   | 0400452     | LKWASHER, 1/4                  | 8   |
| 29   | 0400480     | WASHER, 3/8                    | 4   |
| 30   | 0400482     | LKWASHER, 3/8                  | 4   |
| 31   | 0707342     | PIN, PIVOT BOOM                | 1   |
| 32   | 0710140     | BUSHING, TILT CYL              | 2   |
| 33   | 0710144     | PIN, TILT CYL ROD              | 1   |
| 34   | 0715796     | PLATE, COVER SPADES 4024       | 2   |
| 35   | 0802240     | PIN-PIVOT-LIFT CYL.            | 2   |
| 36   | 0802935     | PIN-PIVOT WELDMENT             | 2   |
| 37   | 0903613     | UNDERLIFT & TOWER ASSY         | 1   |
| 38   | 0906399     | REAR SPADE ASSY                | 1   |
| 39   | 0907320     | SUBFRAME ASSY - 4024/T2        | 1   |
| 40   | 0910769     | BOOM INST 4024/T2 2009         | 1   |

Section I - PARTS

0910768, 4024 / T2 BASIC UNIT ASSEMBLY (cont'd)



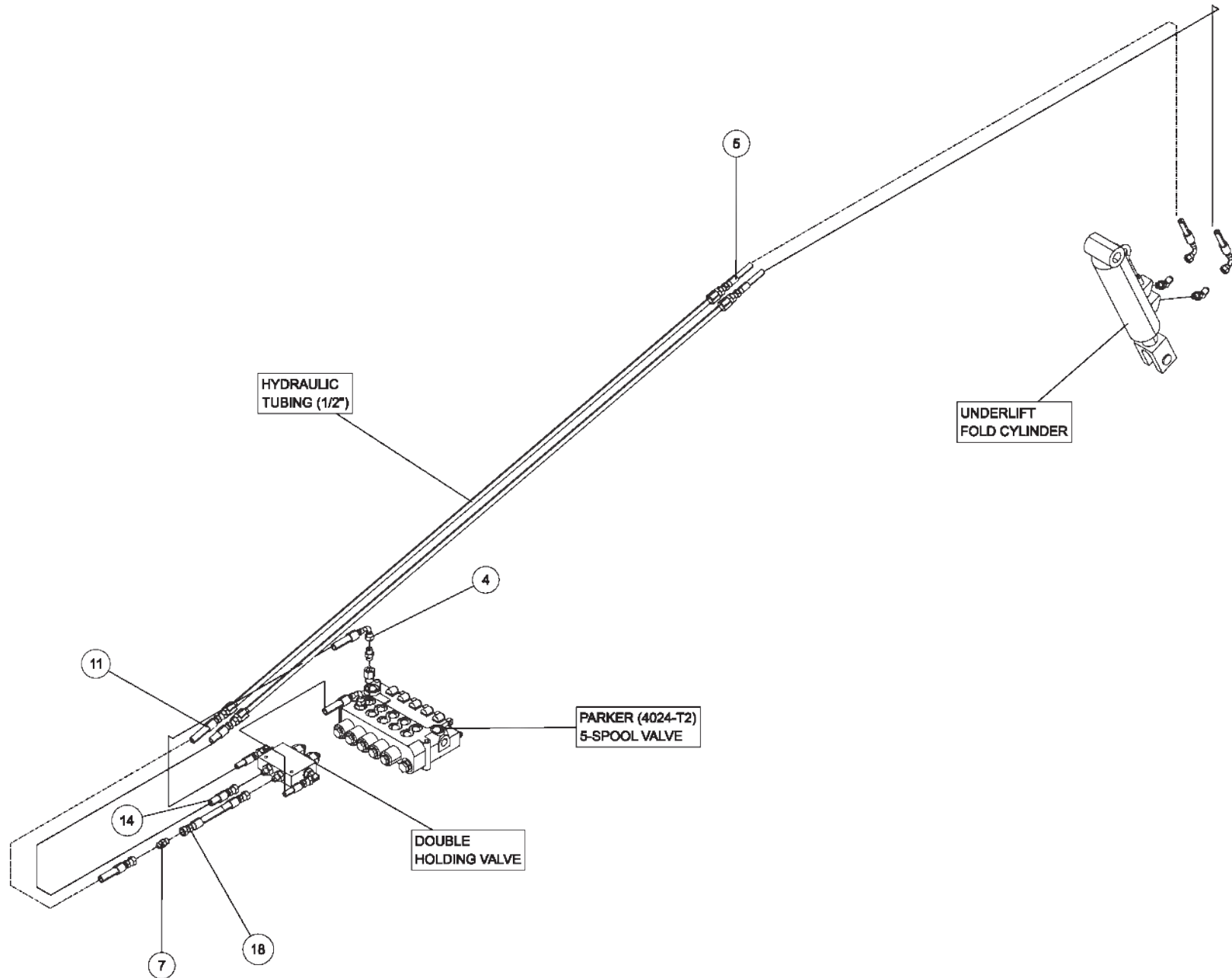
## Section I - PARTS

### 0910768, 4024 / T2 BASIC UNIT ASSEMBLY (cont'd)

| ITEM | PART NUMBER | DESCRIPTION                    | QTY |
|------|-------------|--------------------------------|-----|
|      | 0910768     | BASIC UNIT ASSY 4024/T2        |     |
| 1    | 0300113     | GREASE FITTING, 1/4-28 STR     | 2   |
| 2    | 0300689     | HYD FITTING,90 F-ELL 8MJ-8FP90 | 4   |
| 3    | 0301207     | HOSE HYD, 72"                  | 2   |
| 4    | 0301473     | HOSE HYD, 18" LG               | 2   |
| 5    | 0301485     | HOSE HYD, 81 4C2AT             | 2   |
| 6    | 0301819     | PIPE, 1/2X4.5 BLK NIPPLE       | 4   |
| 7    | 0301837     | INLINE ORIFICE                 | 1   |
| 8    | 0301880     | HOSE HYD, 107"                 | 2   |
| 9    | 0302000     | HOSE HYD, 24"                  | 1   |
| 10   | 0302035     | HOSE HYD, 18" 6FJX-6FJX -6M1T  | 1   |
| 11   | 0302036     | HOSE HYD, 26"                  | 1   |
| 12   | 0302581     | HOSE HYD, 36"                  | 4   |
| 13   | 0302582     | HOSE HYD, 36"                  | 3   |
| 14   | 0302596     | HOSE HYD, 34"                  | 2   |
| 15   | 0302604     | HOSE HYD, 44"                  | 2   |
| 16   | 0302605     | HOSE HYD, 44"                  | 1   |
| 17   | 0302635     | HOSE HYD, 131" LG              | 1   |
| 18   | 0302805     | HOSE HYD, 10"                  | 2   |
| 19   | 0302815     | HOSE HYD, 32"                  | 1   |
| 20   | 0303175     | HOSE HYD, 102" LG              | 4   |
| 21   | 0303394     | HOSE HYD, 46"                  | 2   |
| 22   | 0303438     | HOSE HYD, 92"                  | 2   |
| 23   | 0400066     | SCREW, 1/4-20X3/4 HHC GR5      | 8   |
| 24   | 0400121     | SCREW, 3/8-16X3/4 HHC GR5      | 2   |
| 25   | 0400122     | SCREW, 3/8-16X1-1/4 HHC GR5    | 2   |
| 26   | 0400130     | SCREW, 3/8-16X3-1/2 HHC GR5    | 4   |
| 27   | 0400392     | NUT, 3/8-16 LOK                | 4   |
| 28   | 0400452     | LKWASHER, 1/4                  | 8   |
| 29   | 0400480     | WASHER, 3/8                    | 4   |
| 30   | 0400482     | LKWASHER, 3/8                  | 4   |
| 31   | 0707342     | PIN, PIVOT BOOM                | 1   |
| 32   | 0710140     | BUSHING, TILT CYL              | 2   |
| 33   | 0710144     | PIN, TILT CYL ROD              | 1   |
| 34   | 0715796     | PLATE, COVER SPADES 4024       | 2   |
| 35   | 0802240     | PIN-PIVOT-LIFT CYL.            | 2   |
| 36   | 0802935     | PIN-PIVOT WELDMENT             | 2   |
| 37   | 0903613     | UNDERLIFT & TOWER ASSY         | 1   |
| 38   | 0906399     | REAR SPADE ASSY                | 1   |
| 39   | 0907320     | SUBFRAME ASSY - 4024/T2        | 1   |
| 40   | 0910769     | BOOM INST 4024/T2 2009         | 1   |

Section I - PARTS

0910768, 4024 / T2 BASIC UNIT ASSEMBLY (cont'd)



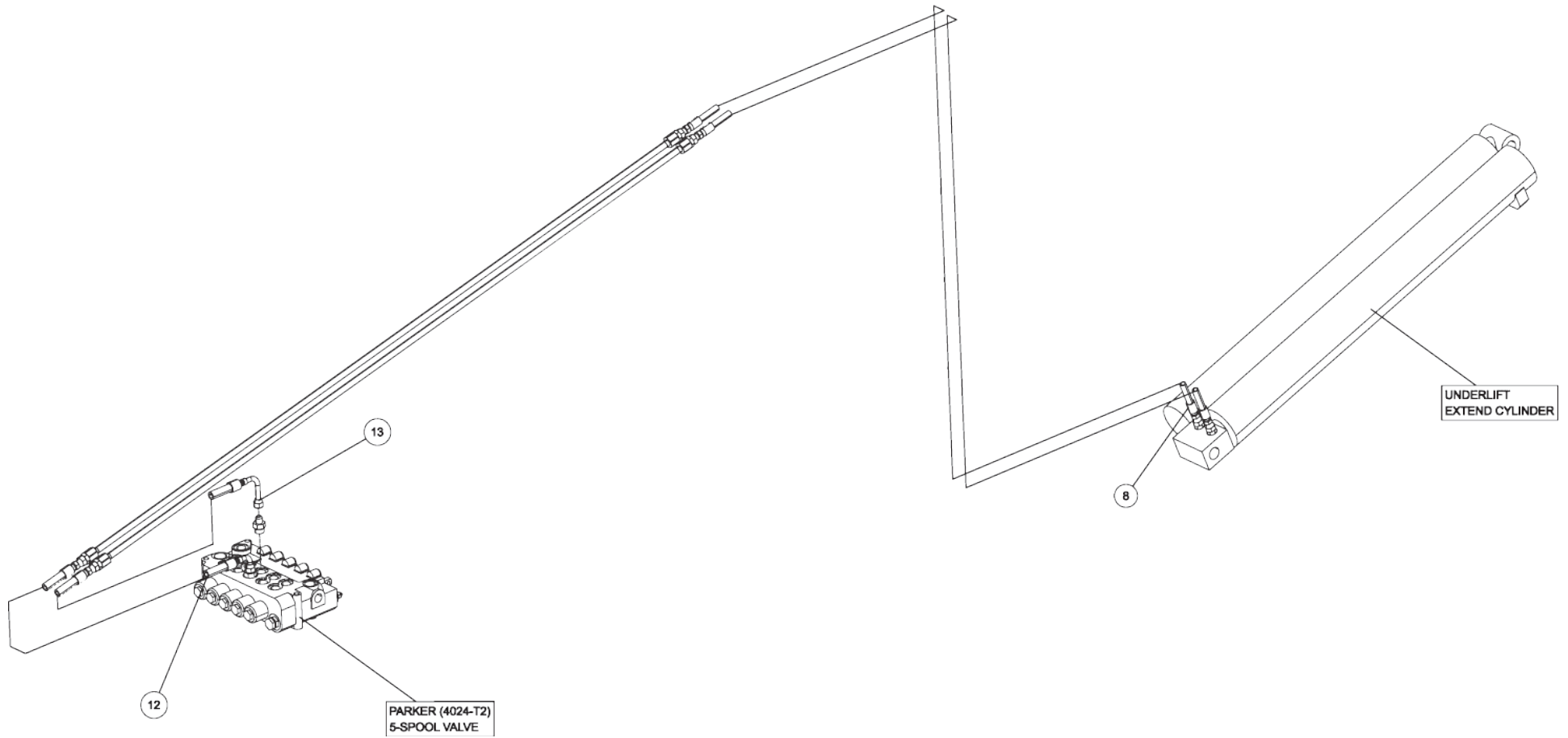
**Section I - PARTS**

**0910768, 4024 / T2 BASIC UNIT ASSEMBLY (cont'd)**

| ITEM | PART NUMBER | DESCRIPTION                    | QTY |
|------|-------------|--------------------------------|-----|
|      | 0910768     | BASIC UNIT ASSY 4024/T2        |     |
| 1    | 0300113     | GREASE FITTING, 1/4-28 STR     | 2   |
| 2    | 0300689     | HYD FITTING,90 F-ELL 8MJ-8FP90 | 4   |
| 3    | 0301207     | HOSE HYD, 72"                  | 2   |
| 4    | 0301473     | HOSE HYD, 18" LG               | 2   |
| 5    | 0301485     | HOSE HYD, 81 4C2AT             | 2   |
| 6    | 0301819     | PIPE, 1/2X4.5 BLK NIPPLE       | 4   |
| 7    | 0301837     | INLINE ORIFICE                 | 1   |
| 8    | 0301880     | HOSE HYD, 107"                 | 2   |
| 9    | 0302000     | HOSE HYD, 24"                  | 1   |
| 10   | 0302035     | HOSE HYD, 18" 6FJX-6FJX -6M1T  | 1   |
| 11   | 0302036     | HOSE HYD, 26"                  | 1   |
| 12   | 0302581     | HOSE HYD, 36"                  | 4   |
| 13   | 0302582     | HOSE HYD, 36"                  | 3   |
| 14   | 0302596     | HOSE HYD, 34"                  | 2   |
| 15   | 0302604     | HOSE HYD, 44"                  | 2   |
| 16   | 0302605     | HOSE HYD, 44"                  | 1   |
| 17   | 0302635     | HOSE HYD, 131" LG              | 1   |
| 18   | 0302805     | HOSE HYD, 10"                  | 2   |
| 19   | 0302815     | HOSE HYD, 32"                  | 1   |
| 20   | 0303175     | HOSE HYD, 102" LG              | 4   |
| 21   | 0303394     | HOSE HYD, 46"                  | 2   |
| 22   | 0303438     | HOSE HYD, 92"                  | 2   |
| 23   | 0400066     | SCREW, 1/4-20X3/4 HHC GR5      | 8   |
| 24   | 0400121     | SCREW, 3/8-16X3/4 HHC GR5      | 2   |
| 25   | 0400122     | SCREW, 3/8-16X1-1/4 HHC GR5    | 2   |
| 26   | 0400130     | SCREW, 3/8-16X3-1/2 HHC GR5    | 4   |
| 27   | 0400392     | NUT, 3/8-16 LOK                | 4   |
| 28   | 0400452     | LKWASHER, 1/4                  | 8   |
| 29   | 0400480     | WASHER, 3/8                    | 4   |
| 30   | 0400482     | LKWASHER, 3/8                  | 4   |
| 31   | 0707342     | PIN, PIVOT BOOM                | 1   |
| 32   | 0710140     | BUSHING, TILT CYL              | 2   |
| 33   | 0710144     | PIN, TILT CYL ROD              | 1   |
| 34   | 0715796     | PLATE, COVER SPADES 4024       | 2   |
| 35   | 0802240     | PIN-PIVOT-LIFT CYL.            | 2   |
| 36   | 0802935     | PIN-PIVOT WELDMENT             | 2   |
| 37   | 0903613     | UNDERLIFT & TOWER ASSY         | 1   |
| 38   | 0906399     | REAR SPADE ASSY                | 1   |
| 39   | 0907320     | SUBFRAME ASSY - 4024/T2        | 1   |
| 40   | 0910769     | BOOM INST 4024/T2 2009         | 1   |

Section I - PARTS

0910768, 4024 / T2 BASIC UNIT ASSEMBLY (cont'd)



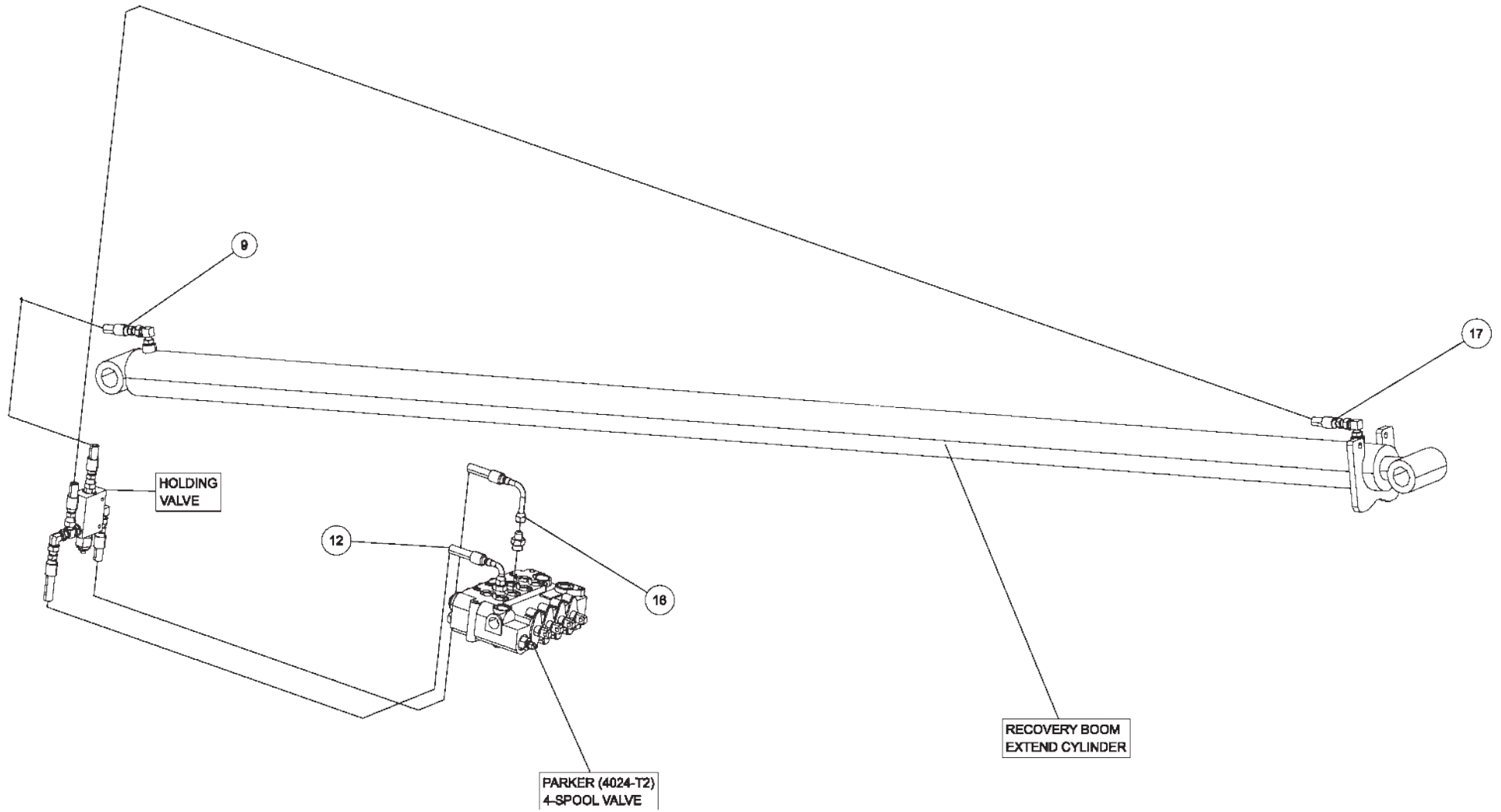
**Section I - PARTS**

**0910768, 4024 / T2 BASIC UNIT ASSEMBLY (cont'd)**

| ITEM | PART NUMBER | DESCRIPTION                    | QTY |
|------|-------------|--------------------------------|-----|
|      | 0910768     | BASIC UNIT ASSY 4024/T2        |     |
| 1    | 0300113     | GREASE FITTING, 1/4-28 STR     | 2   |
| 2    | 0300689     | HYD FITTING,90 F-ELL 8MJ-8FP90 | 4   |
| 3    | 0301207     | HOSE HYD, 72"                  | 2   |
| 4    | 0301473     | HOSE HYD, 18" LG               | 2   |
| 5    | 0301485     | HOSE HYD, 81 4C2AT             | 2   |
| 6    | 0301819     | PIPE, 1/2X4.5 BLK NIPPLE       | 4   |
| 7    | 0301837     | INLINE ORIFICE                 | 1   |
| 8    | 0301880     | HOSE HYD, 107"                 | 2   |
| 9    | 0302000     | HOSE HYD, 24"                  | 1   |
| 10   | 0302035     | HOSE HYD, 18" 6FJX-6FJX -6M1T  | 1   |
| 11   | 0302036     | HOSE HYD, 26"                  | 1   |
| 12   | 0302581     | HOSE HYD, 36"                  | 4   |
| 13   | 0302582     | HOSE HYD, 36"                  | 3   |
| 14   | 0302596     | HOSE HYD, 34"                  | 2   |
| 15   | 0302604     | HOSE HYD, 44"                  | 2   |
| 16   | 0302605     | HOSE HYD, 44"                  | 1   |
| 17   | 0302635     | HOSE HYD, 131" LG              | 1   |
| 18   | 0302805     | HOSE HYD, 10"                  | 2   |
| 19   | 0302815     | HOSE HYD, 32"                  | 1   |
| 20   | 0303175     | HOSE HYD, 102" LG              | 4   |
| 21   | 0303394     | HOSE HYD, 46"                  | 2   |
| 22   | 0303438     | HOSE HYD, 92"                  | 2   |
| 23   | 0400066     | SCREW, 1/4-20X3/4 HHC GR5      | 8   |
| 24   | 0400121     | SCREW, 3/8-16X3/4 HHC GR5      | 2   |
| 25   | 0400122     | SCREW, 3/8-16X1-1/4 HHC GR5    | 2   |
| 26   | 0400130     | SCREW, 3/8-16X3-1/2 HHC GR5    | 4   |
| 27   | 0400392     | NUT, 3/8-16 LOK                | 4   |
| 28   | 0400452     | LKWASHER, 1/4                  | 8   |
| 29   | 0400480     | WASHER, 3/8                    | 4   |
| 30   | 0400482     | LKWASHER, 3/8                  | 4   |
| 31   | 0707342     | PIN, PIVOT BOOM                | 1   |
| 32   | 0710140     | BUSHING, TILT CYL              | 2   |
| 33   | 0710144     | PIN, TILT CYL ROD              | 1   |
| 34   | 0715796     | PLATE, COVER SPADES 4024       | 2   |
| 35   | 0802240     | PIN-PIVOT-LIFT CYL.            | 2   |
| 36   | 0802935     | PIN-PIVOT WELDMENT             | 2   |
| 37   | 0903613     | UNDERLIFT & TOWER ASSY         | 1   |
| 38   | 0906399     | REAR SPADE ASSY                | 1   |
| 39   | 0907320     | SUBFRAME ASSY - 4024/T2        | 1   |
| 40   | 0910769     | BOOM INST 4024/T2 2009         | 1   |

Section I - PARTS

0910768, 4024 / T2 BASIC UNIT ASSEMBLY (cont'd)





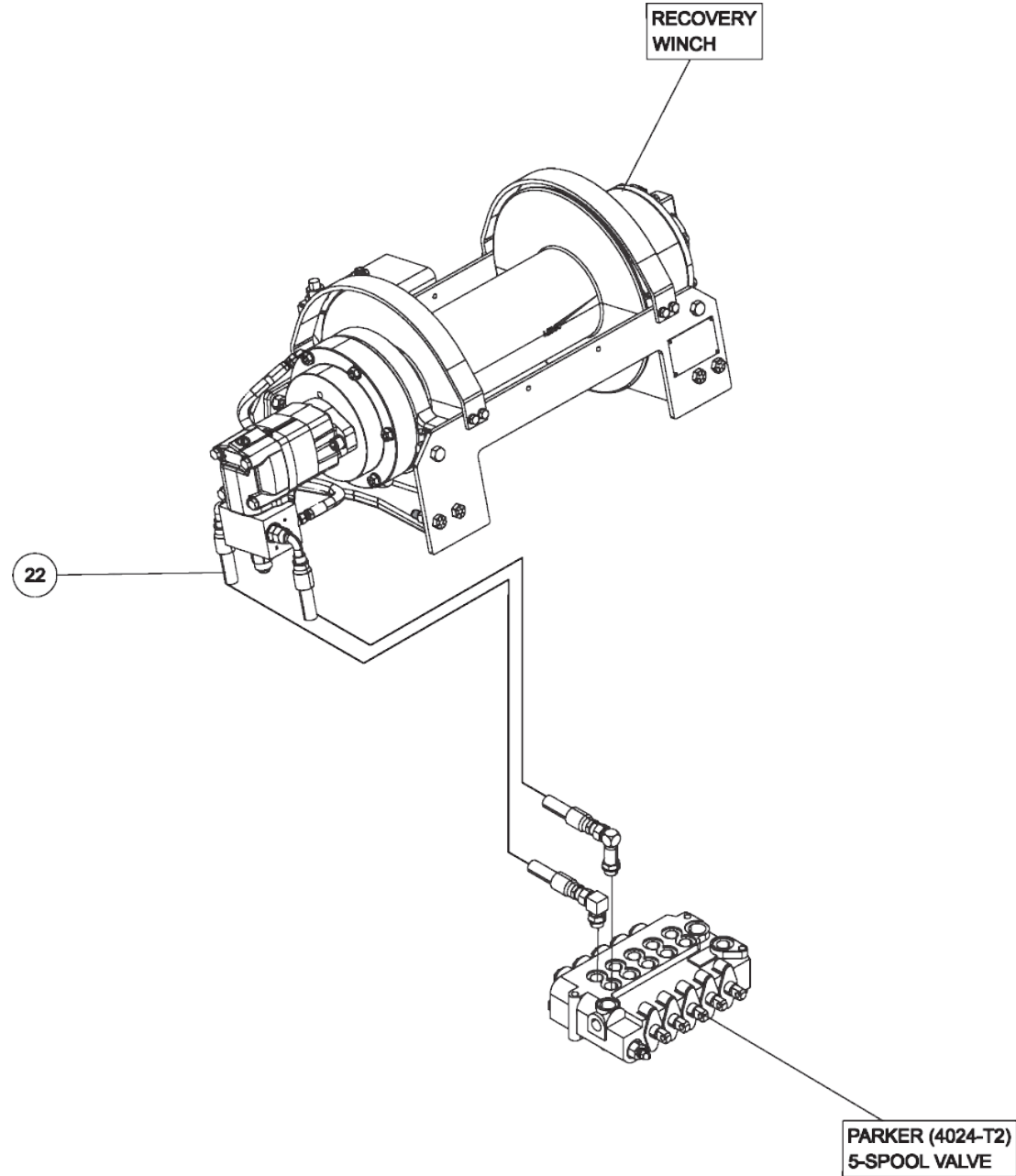
## Section I - PARTS

### 0910768, 4024 / T2 BASIC UNIT ASSEMBLY (cont'd)

| ITEM | PART NUMBER | DESCRIPTION                    | QTY |
|------|-------------|--------------------------------|-----|
|      | 0910768     | BASIC UNIT ASSY 4024/T2        |     |
| 1    | 0300113     | GREASE FITTING, 1/4-28 STR     | 2   |
| 2    | 0300689     | HYD FITTING,90 F-ELL 8MJ-8FP90 | 4   |
| 3    | 0301207     | HOSE HYD, 72"                  | 2   |
| 4    | 0301473     | HOSE HYD, 18" LG               | 2   |
| 5    | 0301485     | HOSE HYD, 81 4C2AT             | 2   |
| 6    | 0301819     | PIPE, 1/2X4.5 BLK NIPPLE       | 4   |
| 7    | 0301837     | INLINE ORIFICE                 | 1   |
| 8    | 0301880     | HOSE HYD, 107"                 | 2   |
| 9    | 0302000     | HOSE HYD, 24"                  | 1   |
| 10   | 0302035     | HOSE HYD, 18" 6FJX-6FJX -6M1T  | 1   |
| 11   | 0302036     | HOSE HYD, 26"                  | 1   |
| 12   | 0302581     | HOSE HYD, 36"                  | 4   |
| 13   | 0302582     | HOSE HYD, 36"                  | 3   |
| 14   | 0302596     | HOSE HYD, 34"                  | 2   |
| 15   | 0302604     | HOSE HYD, 44"                  | 2   |
| 16   | 0302605     | HOSE HYD, 44"                  | 1   |
| 17   | 0302635     | HOSE HYD, 131" LG              | 1   |
| 18   | 0302805     | HOSE HYD, 10"                  | 2   |
| 19   | 0302815     | HOSE HYD, 32"                  | 1   |
| 20   | 0303175     | HOSE HYD, 102" LG              | 4   |
| 21   | 0303394     | HOSE HYD, 46"                  | 2   |
| 22   | 0303438     | HOSE HYD, 92"                  | 2   |
| 23   | 0400066     | SCREW, 1/4-20X3/4 HHC GR5      | 8   |
| 24   | 0400121     | SCREW, 3/8-16X3/4 HHC GR5      | 2   |
| 25   | 0400122     | SCREW, 3/8-16X1-1/4 HHC GR5    | 2   |
| 26   | 0400130     | SCREW, 3/8-16X3-1/2 HHC GR5    | 4   |
| 27   | 0400392     | NUT, 3/8-16 LOK                | 4   |
| 28   | 0400452     | LKWASHER, 1/4                  | 8   |
| 29   | 0400480     | WASHER, 3/8                    | 4   |
| 30   | 0400482     | LKWASHER, 3/8                  | 4   |
| 31   | 0707342     | PIN, PIVOT BOOM                | 1   |
| 32   | 0710140     | BUSHING, TILT CYL              | 2   |
| 33   | 0710144     | PIN, TILT CYL ROD              | 1   |
| 34   | 0715796     | PLATE, COVER SPADES 4024       | 2   |
| 35   | 0802240     | PIN-PIVOT-LIFT CYL.            | 2   |
| 36   | 0802935     | PIN-PIVOT WELDMENT             | 2   |
| 37   | 0903613     | UNDERLIFT & TOWER ASSY         | 1   |
| 38   | 0906399     | REAR SPADE ASSY                | 1   |
| 39   | 0907320     | SUBFRAME ASSY - 4024/T2        | 1   |
| 40   | 0910769     | BOOM INST 4024/T2 2009         | 1   |

Section I - PARTS

0910768, 4024 / T2 BASIC UNIT ASSEMBLY (cont'd)



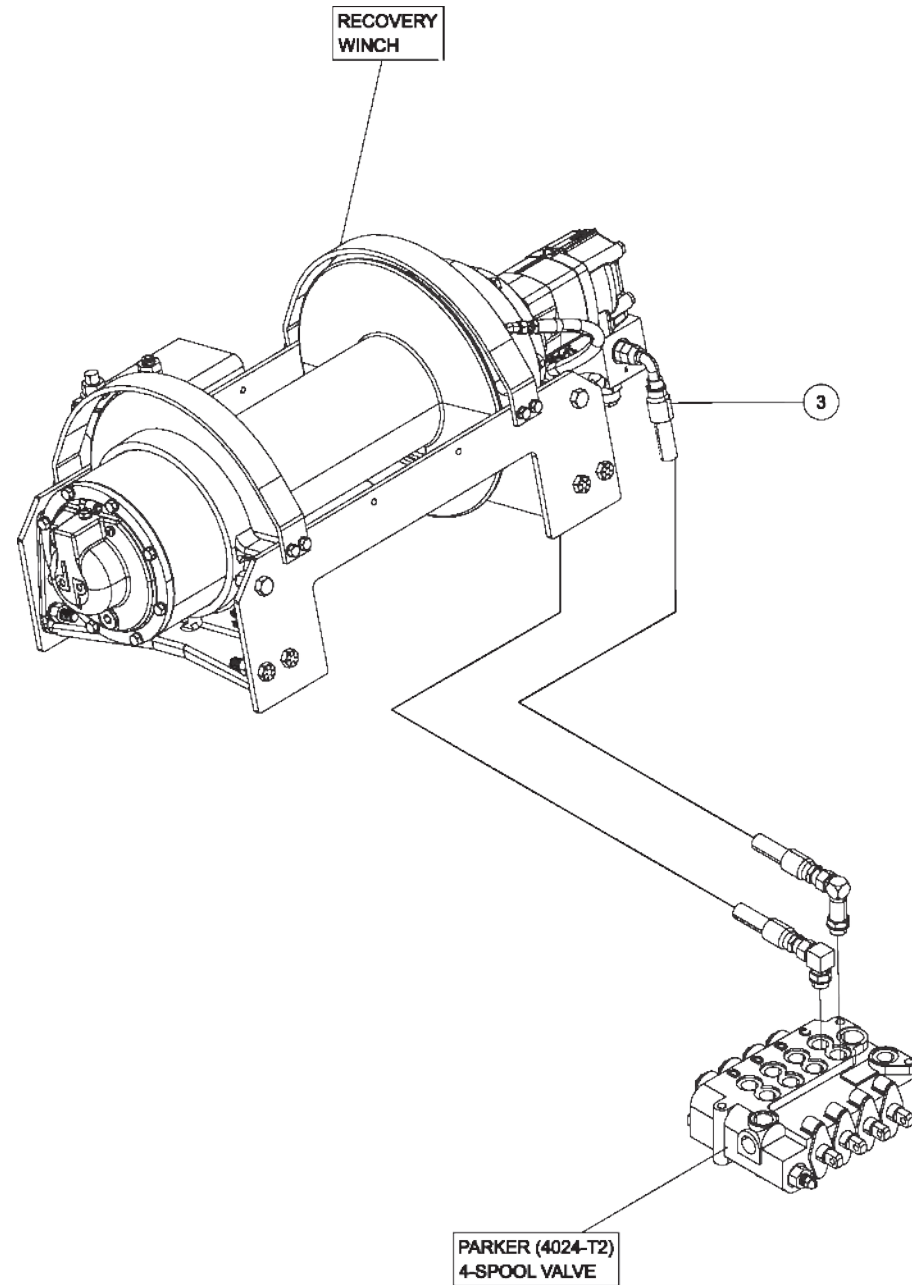
Section I - PARTS

0910768, 4024 / T2 BASIC UNIT ASSEMBLY (cont'd)

| ITEM | PART NUMBER | DESCRIPTION                    | QTY |
|------|-------------|--------------------------------|-----|
|      | 0910768     | BASIC UNIT ASSY 4024/T2        |     |
| 1    | 0300113     | GREASE FITTING, 1/4-28 STR     | 2   |
| 2    | 0300689     | HYD FITTING,90 F-ELL 8MJ-8FP90 | 4   |
| 3    | 0301207     | HOSE HYD, 72"                  | 2   |
| 4    | 0301473     | HOSE HYD, 18" LG               | 2   |
| 5    | 0301485     | HOSE HYD, 81 4C2AT             | 2   |
| 6    | 0301819     | PIPE, 1/2X4.5 BLK NIPPLE       | 4   |
| 7    | 0301837     | INLINE ORIFICE                 | 1   |
| 8    | 0301880     | HOSE HYD, 107"                 | 2   |
| 9    | 0302000     | HOSE HYD, 24"                  | 1   |
| 10   | 0302035     | HOSE HYD, 18" 6FJX-6FJX -6M1T  | 1   |
| 11   | 0302036     | HOSE HYD, 26"                  | 1   |
| 12   | 0302581     | HOSE HYD, 36"                  | 4   |
| 13   | 0302582     | HOSE HYD, 36"                  | 3   |
| 14   | 0302596     | HOSE HYD, 34"                  | 2   |
| 15   | 0302604     | HOSE HYD, 44"                  | 2   |
| 16   | 0302605     | HOSE HYD, 44"                  | 1   |
| 17   | 0302635     | HOSE HYD, 131" LG              | 1   |
| 18   | 0302805     | HOSE HYD, 10"                  | 2   |
| 19   | 0302815     | HOSE HYD, 32"                  | 1   |
| 20   | 0303175     | HOSE HYD, 102" LG              | 4   |
| 21   | 0303394     | HOSE HYD, 46"                  | 2   |
| 22   | 0303438     | HOSE HYD, 92"                  | 2   |
| 23   | 0400066     | SCREW, 1/4-20X3/4 HHC GR5      | 8   |
| 24   | 0400121     | SCREW, 3/8-16X3/4 HHC GR5      | 2   |
| 25   | 0400122     | SCREW, 3/8-16X1-1/4 HHC GR5    | 2   |
| 26   | 0400130     | SCREW, 3/8-16X3-1/2 HHC GR5    | 4   |
| 27   | 0400392     | NUT, 3/8-16 LOK                | 4   |
| 28   | 0400452     | LKWASHER, 1/4                  | 8   |
| 29   | 0400480     | WASHER, 3/8                    | 4   |
| 30   | 0400482     | LKWASHER, 3/8                  | 4   |
| 31   | 0707342     | PIN, PIVOT BOOM                | 1   |
| 32   | 0710140     | BUSHING, TILT CYL              | 2   |
| 33   | 0710144     | PIN, TILT CYL ROD              | 1   |
| 34   | 0715796     | PLATE, COVER SPADES 4024       | 2   |
| 35   | 0802240     | PIN-PIVOT-LIFT CYL.            | 2   |
| 36   | 0802935     | PIN-PIVOT WELDMENT             | 2   |
| 37   | 0903613     | UNDERLIFT & TOWER ASSY         | 1   |
| 38   | 0906399     | REAR SPADE ASSY                | 1   |
| 39   | 0907320     | SUBFRAME ASSY - 4024/T2        | 1   |
| 40   | 0910769     | BOOM INST 4024/T2 2009         | 1   |

Section I - PARTS

0910768, 4024 / T2 BASIC UNIT ASSEMBLY (cont'd)



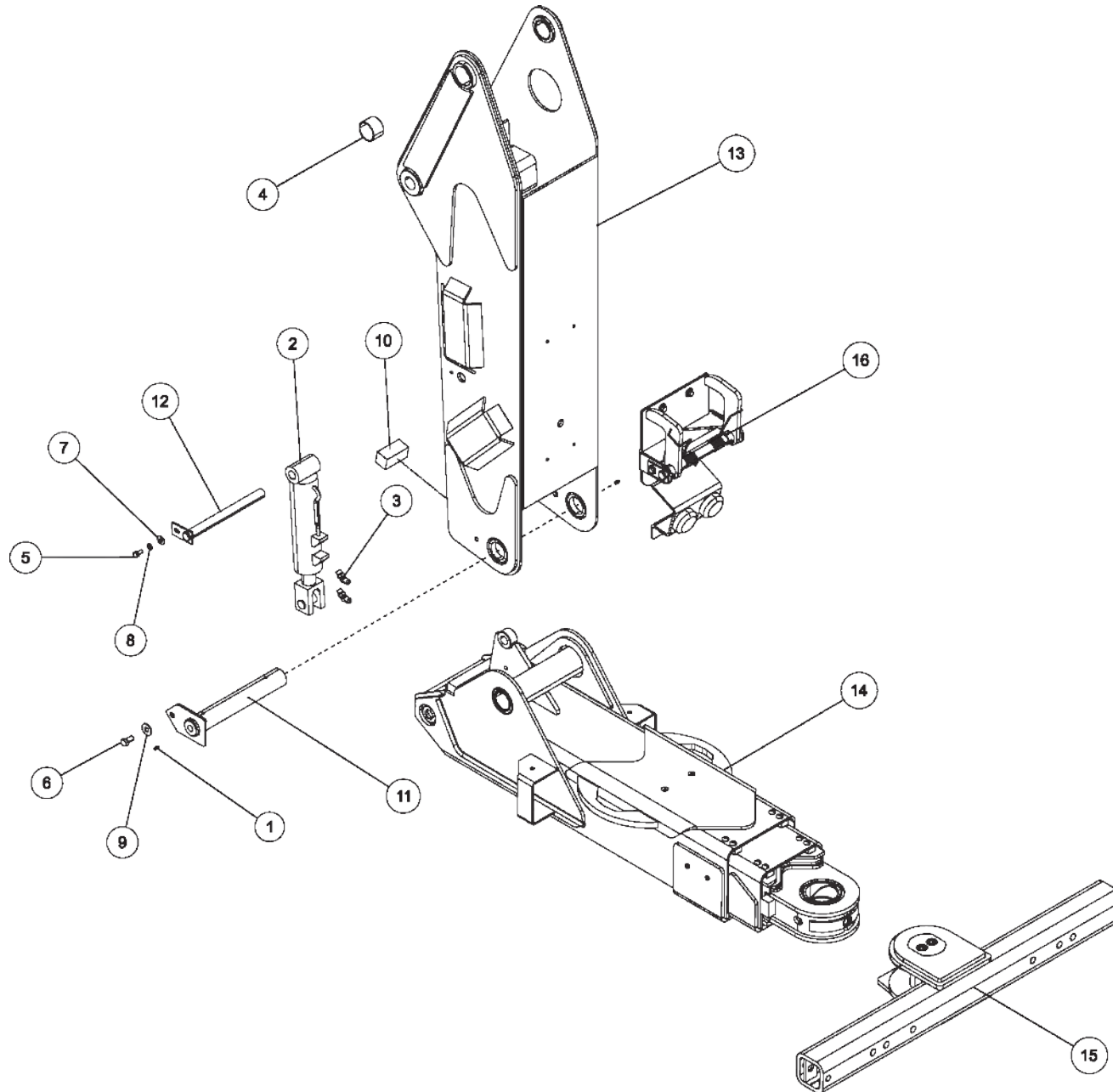
**Section I - PARTS**

**0910768, 4024 / T2 BASIC UNIT ASSEMBLY (cont'd)**

| ITEM | PART NUMBER | DESCRIPTION                    | QTY |
|------|-------------|--------------------------------|-----|
|      | 0910768     | BASIC UNIT ASSY 4024/T2        |     |
| 1    | 0300113     | GREASE FITTING, 1/4-28 STR     | 2   |
| 2    | 0300689     | HYD FITTING,90 F-ELL 8MJ-8FP90 | 4   |
| 3    | 0301207     | HOSE HYD, 72"                  | 2   |
| 4    | 0301473     | HOSE HYD, 18" LG               | 2   |
| 5    | 0301485     | HOSE HYD, 81 4C2AT             | 2   |
| 6    | 0301819     | PIPE, 1/2X4.5 BLK NIPPLE       | 4   |
| 7    | 0301837     | INLINE ORIFICE                 | 1   |
| 8    | 0301880     | HOSE HYD, 107"                 | 2   |
| 9    | 0302000     | HOSE HYD, 24"                  | 1   |
| 10   | 0302035     | HOSE HYD, 18" 6FJX-6FJX -6M1T  | 1   |
| 11   | 0302036     | HOSE HYD, 26"                  | 1   |
| 12   | 0302581     | HOSE HYD, 36"                  | 4   |
| 13   | 0302582     | HOSE HYD, 36"                  | 3   |
| 14   | 0302596     | HOSE HYD, 34"                  | 2   |
| 15   | 0302604     | HOSE HYD, 44"                  | 2   |
| 16   | 0302605     | HOSE HYD, 44"                  | 1   |
| 17   | 0302635     | HOSE HYD, 131" LG              | 1   |
| 18   | 0302805     | HOSE HYD, 10"                  | 2   |
| 19   | 0302815     | HOSE HYD, 32"                  | 1   |
| 20   | 0303175     | HOSE HYD, 102" LG              | 4   |
| 21   | 0303394     | HOSE HYD, 46"                  | 2   |
| 22   | 0303438     | HOSE HYD, 92"                  | 2   |
| 23   | 0400066     | SCREW, 1/4-20X3/4 HHC GR5      | 8   |
| 24   | 0400121     | SCREW, 3/8-16X3/4 HHC GR5      | 2   |
| 25   | 0400122     | SCREW, 3/8-16X1-1/4 HHC GR5    | 2   |
| 26   | 0400130     | SCREW, 3/8-16X3-1/2 HHC GR5    | 4   |
| 27   | 0400392     | NUT, 3/8-16 LOK                | 4   |
| 28   | 0400452     | LKWASHER, 1/4                  | 8   |
| 29   | 0400480     | WASHER, 3/8                    | 4   |
| 30   | 0400482     | LKWASHER, 3/8                  | 4   |
| 31   | 0707342     | PIN, PIVOT BOOM                | 1   |
| 32   | 0710140     | BUSHING, TILT CYL              | 2   |
| 33   | 0710144     | PIN, TILT CYL ROD              | 1   |
| 34   | 0715796     | PLATE, COVER SPADES 4024       | 2   |
| 35   | 0802240     | PIN-PIVOT-LIFT CYL.            | 2   |
| 36   | 0802935     | PIN-PIVOT WELDMENT             | 2   |
| 37   | 0903613     | UNDERLIFT & TOWER ASSY         | 1   |
| 38   | 0906399     | REAR SPADE ASSY                | 1   |
| 39   | 0907320     | SUBFRAME ASSY - 4024/T2        | 1   |
| 40   | 0910769     | BOOM INST 4024/T2 2009         | 1   |

Section I - PARTS

0903613, 4024 / T2 UNDERLIFT & TOWER ASSEMBLY



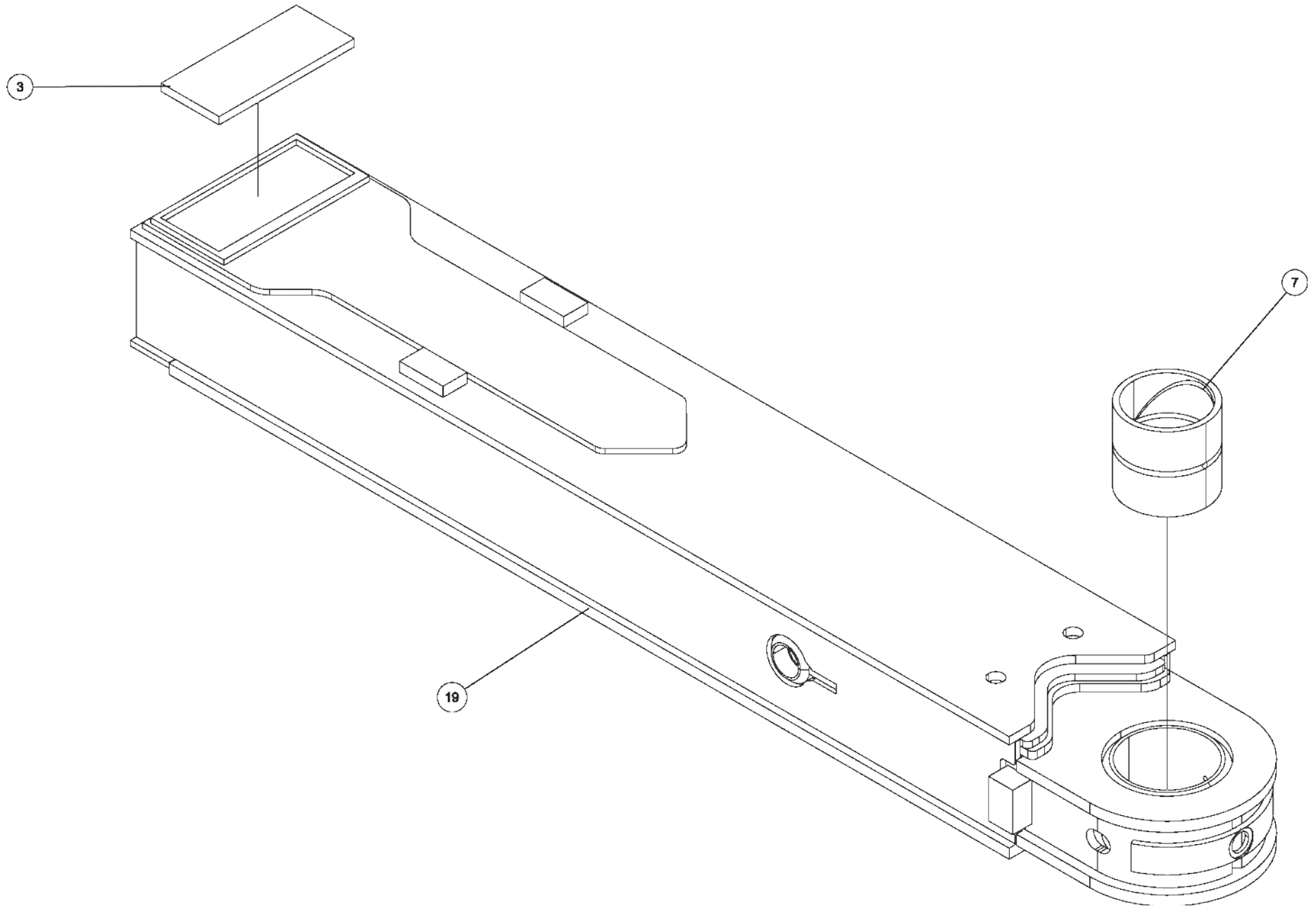
**Section I - PARTS**

**0903613, 4024 / T2 UNDERLIFT & TOWER ASSEMBLY (cont'd)**

| ITEM | PART NUMBER | DESCRIPTION                    | QTY |
|------|-------------|--------------------------------|-----|
|      | 0903613     | UNDERLIFT & TOWER ASSEMBLY     |     |
| 1    | 0300113     | GREASE FITTING, 1/4-28 STR     | 2   |
| 2    | 0301765     | CYL HYD BOOM FOLD              | 1   |
| 3    | 0302509     | FITTING, ELB 45 DEG            | 2   |
| 4    | 0302619     | 2.25ODX2IDX1.5 SPRG            | 2   |
| 5    | 0400121     | SCREW, 3/8-16X3/4 HHC GR5      | 1   |
| 6    | 0400176     | SCREW, 1/2-13X1 HHC GR5        | 1   |
| 7    | 0400480     | WASHER, 3/8                    | 1   |
| 8    | 0400482     | LKWASHER, 3/8                  | 1   |
| 9    | 0400492     | USS FLAT WASHER, 1/2           | 1   |
| 10   | 0707293     | STOP, BLOCK                    | 2   |
| 11   | 08011859    | PIN, PIVOT 3224 U/L            | 1   |
| 12   | 0802459     | PIN-FOLD CYL. WLDMT            | 1   |
| 13   | 0802865     | TOWER WLMT - 3224/T            | 1   |
| 14   | 0903752     | BOOM-HORIZONTAL ASSY           | 1   |
| 15   | 0904095     | CROSSBAR ASSY                  | 1   |
| 16   | 0911762     | HOOK RETAINER ASSY, W/O LOWRDR | 1   |

Section I - PARTS

0903752, 4024 / T2 HORIZONTAL BOOM ASSEMBLY





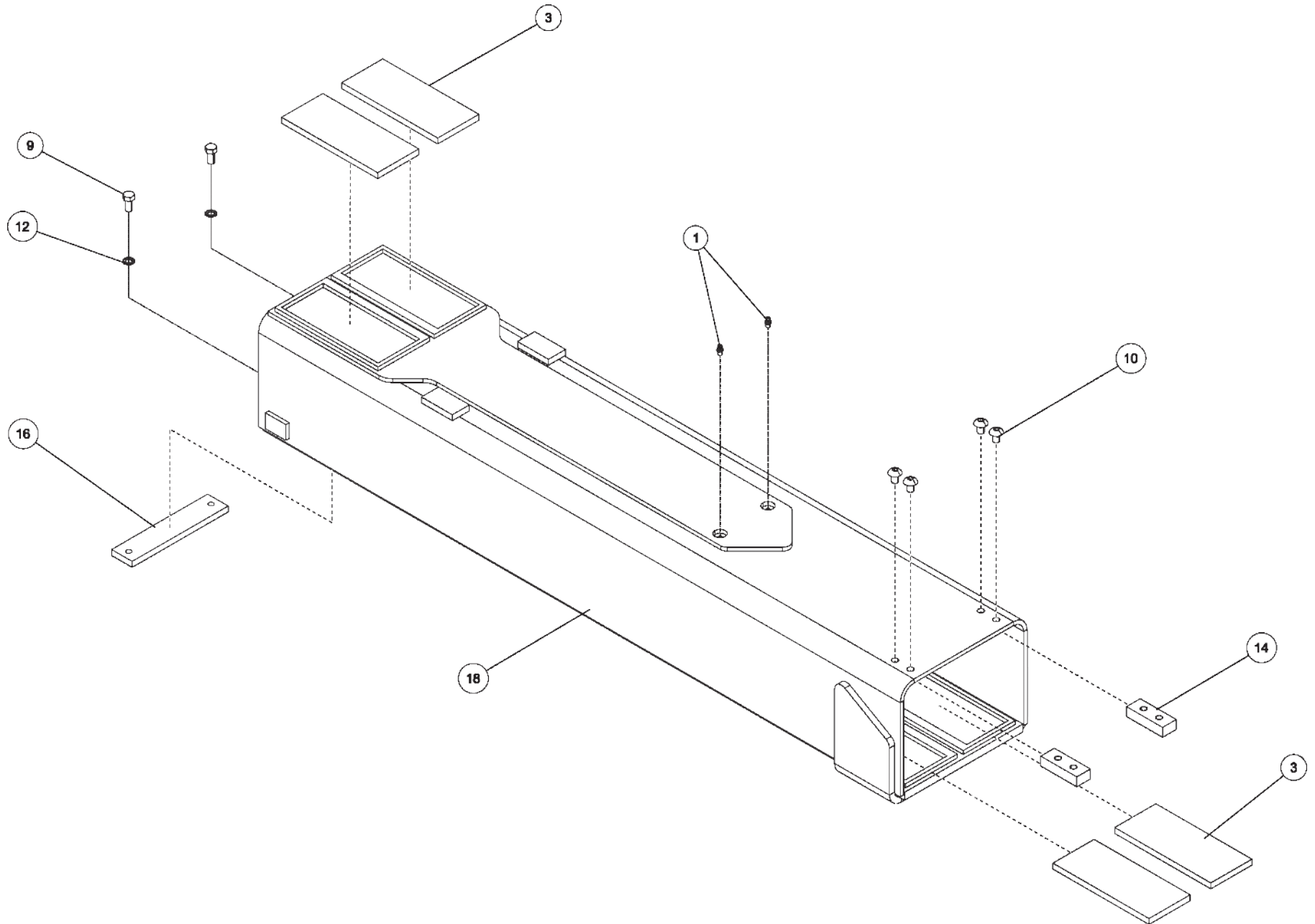
Section I - PARTS

0903752, 4024 / T2 HORIZONTAL BOOM ASSEMBLY (cont'd)

| ITEM | PART NUMBER | DESCRIPTION                  | QTY |
|------|-------------|------------------------------|-----|
|      | 0903752     | BOOM - HORIZONTAL ASSY       |     |
| 1    | 0300113     | GREASE FITTING, 1/4-28 STR   | 6   |
| 2    | 0301522     | ADAPTER, 6MJ-6MB             | 2   |
| 3    | 0302561     | SLIDE PAD                    | 7   |
| 4    | 0302619     | 2.25ODX2IDX1.5 SPRG          | 2   |
| 5    | 0303490     | PAD-WEAR 1/2" X 1" X 4"      | 2   |
| 6    | 0307041     | U/L EXTEND CYL.              | 1   |
| 7    | 0307526     | BUSHING                      | 1   |
| 8    | 0400107     | SCREW, 5/16-18X2-1/2 HHC GR5 | 1   |
| 9    | 0400151     | SCREW, 3/8-24X3/4 HHC GR5    | 4   |
| 10   | 0400228     | SCREW, 3/8-24X5/8 BSC        | 8   |
| 11   | 0400382     | NUT, 5/16-18 LOK             | 1   |
| 12   | 0400481     | LKWASHER, 3/8 EXT            | 4   |
| 13   | 0400990     | SET SCREW, 1/2-13X1/2 SOC    | 4   |
| 14   | 0707034     | PLATE, STOP                  | 4   |
| 15   | 0707271     | PIN, EXT CYL BASE END        | 1   |
| 16   | 0707452     | PAD, SPACER                  | 2   |
| 17   | 0803231     | BOOM-U/L OUTER WLMT          | 1   |
| 18   | 0803232     | BOOM-2nd STAGE U/L WLMT      | 1   |
| 19   | 0803320     | BOOM-3RD STAGE U/L WLDMT     | 1   |
| 20   | HD86        | PIN EXT.CYL. PIN WLDMT.      | 1   |
| 21   | HD89        | RING, RETAINING 1-5/16       | 1   |

Section I - PARTS

0903752, 4024 / T2 HORIZONTAL BOOM ASSEMBLY (cont'd)



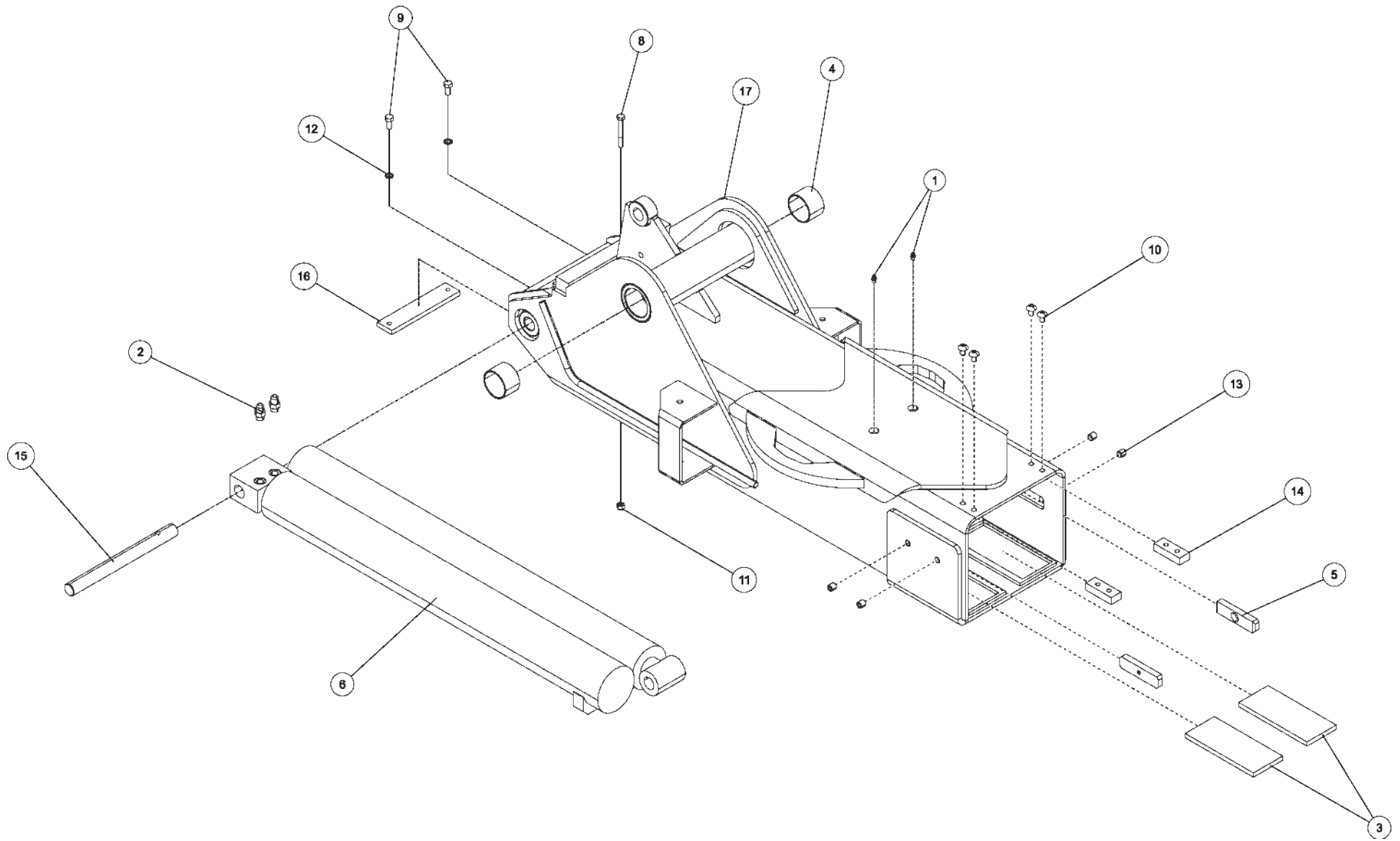
Section I - PARTS

0903752, 4024 / T2 HORIZONTAL BOOM ASSEMBLY (cont'd)

| ITEM | PART NUMBER | DESCRIPTION                  | QTY |
|------|-------------|------------------------------|-----|
|      | 0903752     | BOOM - HORIZONTAL ASSY       |     |
| 1    | 0300113     | GREASE FITTING, 1/4-28 STR   | 6   |
| 2    | 0301522     | ADAPTER, 6MJ-6MB             | 2   |
| 3    | 0302561     | SLIDE PAD                    | 7   |
| 4    | 0302619     | 2.25ODX2IDX1.5 SPRG          | 2   |
| 5    | 0303490     | PAD-WEAR 1/2" X 1" X 4"      | 2   |
| 6    | 0307041     | U/L EXTEND CYL.              | 1   |
| 7    | 0307526     | BUSHING                      | 1   |
| 8    | 0400107     | SCREW, 5/16-18X2-1/2 HHC GR5 | 1   |
| 9    | 0400151     | SCREW, 3/8-24X3/4 HHC GR5    | 4   |
| 10   | 0400228     | SCREW, 3/8-24X5/8 BSC        | 8   |
| 11   | 0400382     | NUT, 5/16-18 LOK             | 1   |
| 12   | 0400481     | LKWASHER, 3/8 EXT            | 4   |
| 13   | 0400990     | SET SCREW, 1/2-13X1/2 SOC    | 4   |
| 14   | 0707034     | PLATE, STOP                  | 4   |
| 15   | 0707271     | PIN, EXT CYL BASE END        | 1   |
| 16   | 0707452     | PAD, SPACER                  | 2   |
| 17   | 0803231     | BOOM-U/L OUTER WLMT          | 1   |
| 18   | 0803232     | BOOM-2nd STAGE U/L WLMT      | 1   |
| 19   | 0803320     | BOOM-3RD STAGE U/L WLDMT     | 1   |
| 20   | HD86        | PIN EXT.CYL. PIN WLDMT.      | 1   |
| 21   | HD89        | RING, RETAINING 1-5/16       | 1   |

Section I - PARTS

0903752, 4024 / T2 HORIZONTAL BOOM ASSEMBLY (cont'd)



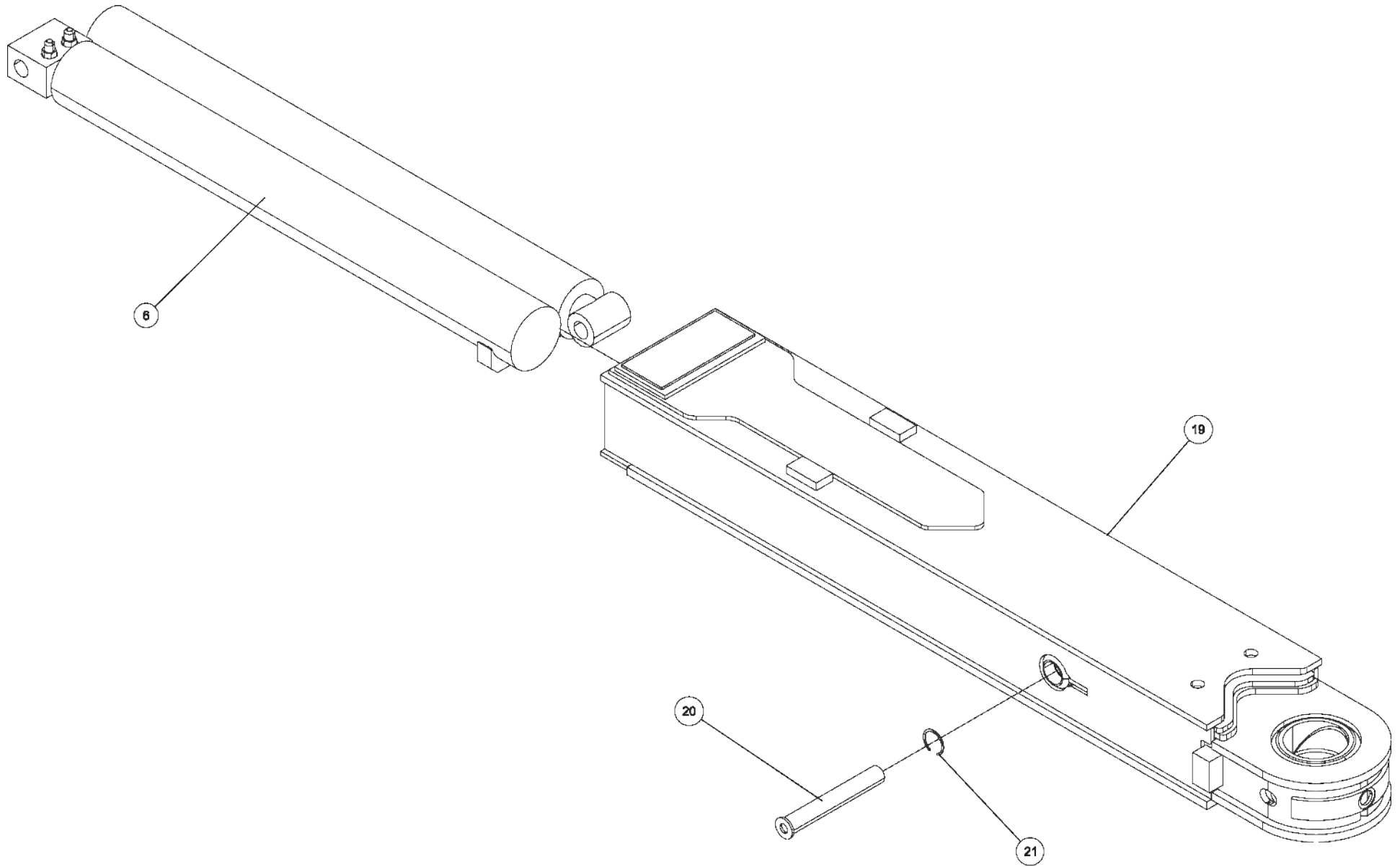
Section I - PARTS

0903752, 4024 / T2 HORIZONTAL BOOM ASSEMBLY (cont'd)

| ITEM | PART NUMBER | DESCRIPTION                  | QTY |
|------|-------------|------------------------------|-----|
|      | 0903752     | BOOM - HORIZONTAL ASSY       |     |
| 1    | 0300113     | GREASE FITTING, 1/4-28 STR   | 6   |
| 2    | 0301522     | ADAPTER, 6MJ-6MB             | 2   |
| 3    | 0302561     | SLIDE PAD                    | 7   |
| 4    | 0302619     | 2.25ODX2IDX1.5 SPRG          | 2   |
| 5    | 0303490     | PAD-WEAR 1/2" X 1" X 4"      | 2   |
| 6    | 0307041     | U/L EXTEND CYL.              | 1   |
| 7    | 0307526     | BUSHING                      | 1   |
| 8    | 0400107     | SCREW, 5/16-18X2-1/2 HHC GR5 | 1   |
| 9    | 0400151     | SCREW, 3/8-24X3/4 HHC GR5    | 4   |
| 10   | 0400228     | SCREW, 3/8-24X5/8 BSC        | 8   |
| 11   | 0400382     | NUT, 5/16-18 LOK             | 1   |
| 12   | 0400481     | LKWASHER, 3/8 EXT            | 4   |
| 13   | 0400990     | SET SCREW, 1/2-13X1/2 SOC    | 4   |
| 14   | 0707034     | PLATE, STOP                  | 4   |
| 15   | 0707271     | PIN, EXT CYL BASE END        | 1   |
| 16   | 0707452     | PAD, SPACER                  | 2   |
| 17   | 0803231     | BOOM-U/L OUTER WLMT          | 1   |
| 18   | 0803232     | BOOM-2nd STAGE U/L WLMT      | 1   |
| 19   | 0803320     | BOOM-3RD STAGE U/L WLDMT     | 1   |
| 20   | HD86        | PIN EXT.CYL. PIN WLDMT.      | 1   |
| 21   | HD89        | RING, RETAINING 1-5/16       | 1   |

Section I - PARTS

0903752, 4024 / T2 HORIZONTAL BOOM ASSEMBLY (cont'd)



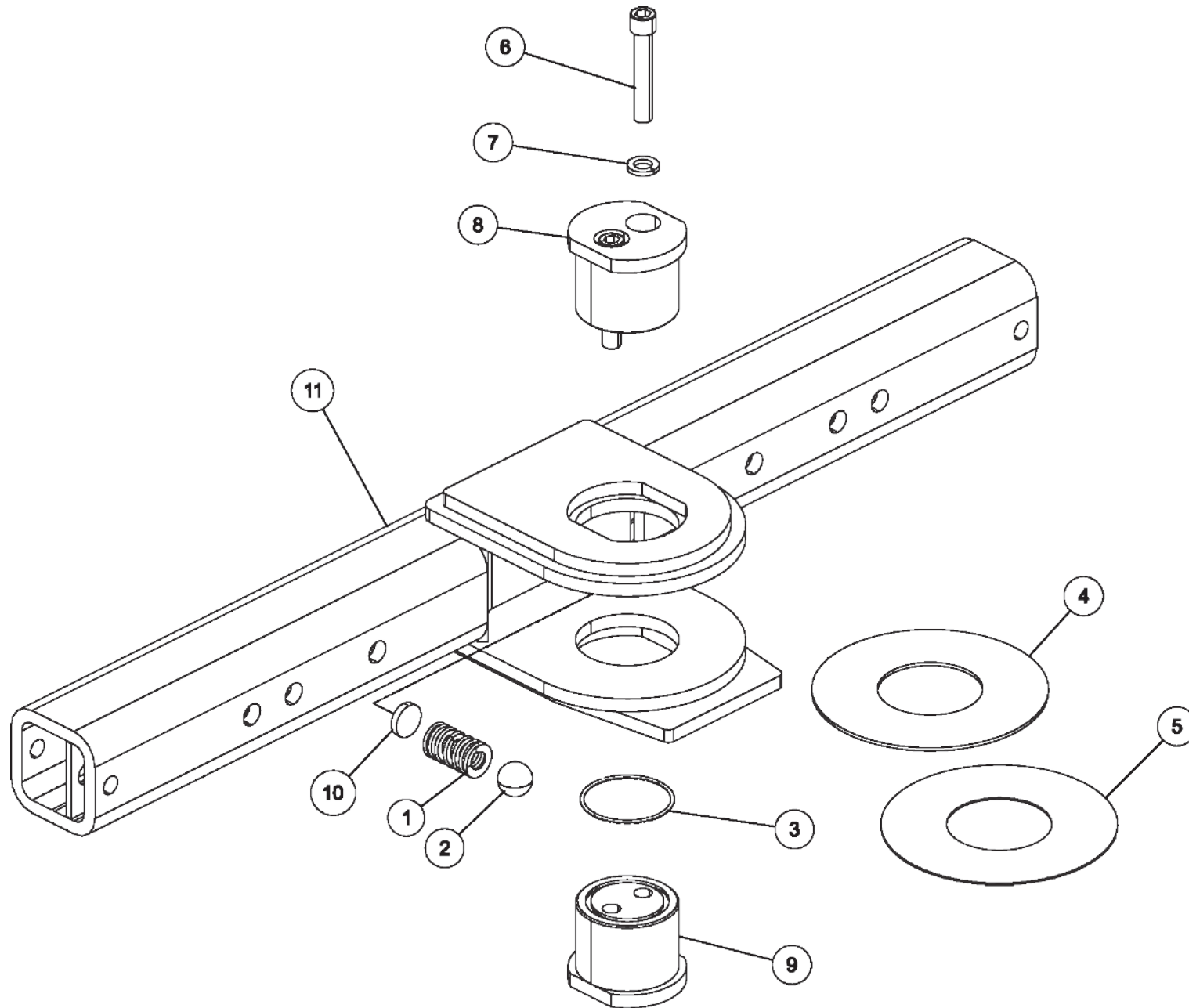
Section I - PARTS

0903752, 4024 / T2 HORIZONTAL BOOM ASSEMBLY (cont'd)

| ITEM | PART NUMBER | DESCRIPTION                  | QTY |
|------|-------------|------------------------------|-----|
|      | 0903752     | BOOM - HORIZONTAL ASSY       |     |
| 1    | 0300113     | GREASE FITTING, 1/4-28 STR   | 6   |
| 2    | 0301522     | ADAPTER, 6MJ-6MB             | 2   |
| 3    | 0302561     | SLIDE PAD                    | 7   |
| 4    | 0302619     | 2.25ODX2IDX1.5 SPRG          | 2   |
| 5    | 0303490     | PAD-WEAR 1/2" X 1" X 4"      | 2   |
| 6    | 0307041     | U/L EXTEND CYL.              | 1   |
| 7    | 0307526     | BUSHING                      | 1   |
| 8    | 0400107     | SCREW, 5/16-18X2-1/2 HHC GR5 | 1   |
| 9    | 0400151     | SCREW, 3/8-24X3/4 HHC GR5    | 4   |
| 10   | 0400228     | SCREW, 3/8-24X5/8 BSC        | 8   |
| 11   | 0400382     | NUT, 5/16-18 LOK             | 1   |
| 12   | 0400481     | LKWASHER, 3/8 EXT            | 4   |
| 13   | 0400990     | SET SCREW, 1/2-13X1/2 SOC    | 4   |
| 14   | 0707034     | PLATE, STOP                  | 4   |
| 15   | 0707271     | PIN, EXT CYL BASE END        | 1   |
| 16   | 0707452     | PAD, SPACER                  | 2   |
| 17   | 0803231     | BOOM-U/L OUTER WLMT          | 1   |
| 18   | 0803232     | BOOM-2nd STAGE U/L WLMT      | 1   |
| 19   | 0803320     | BOOM-3RD STAGE U/L WLDMT     | 1   |
| 20   | HD86        | PIN EXT.CYL. PIN WLDMT.      | 1   |
| 21   | HD89        | RING, RETAINING 1-5/16       | 1   |

Section I - PARTS

0904095, CROSSBAR ASSEMBLY





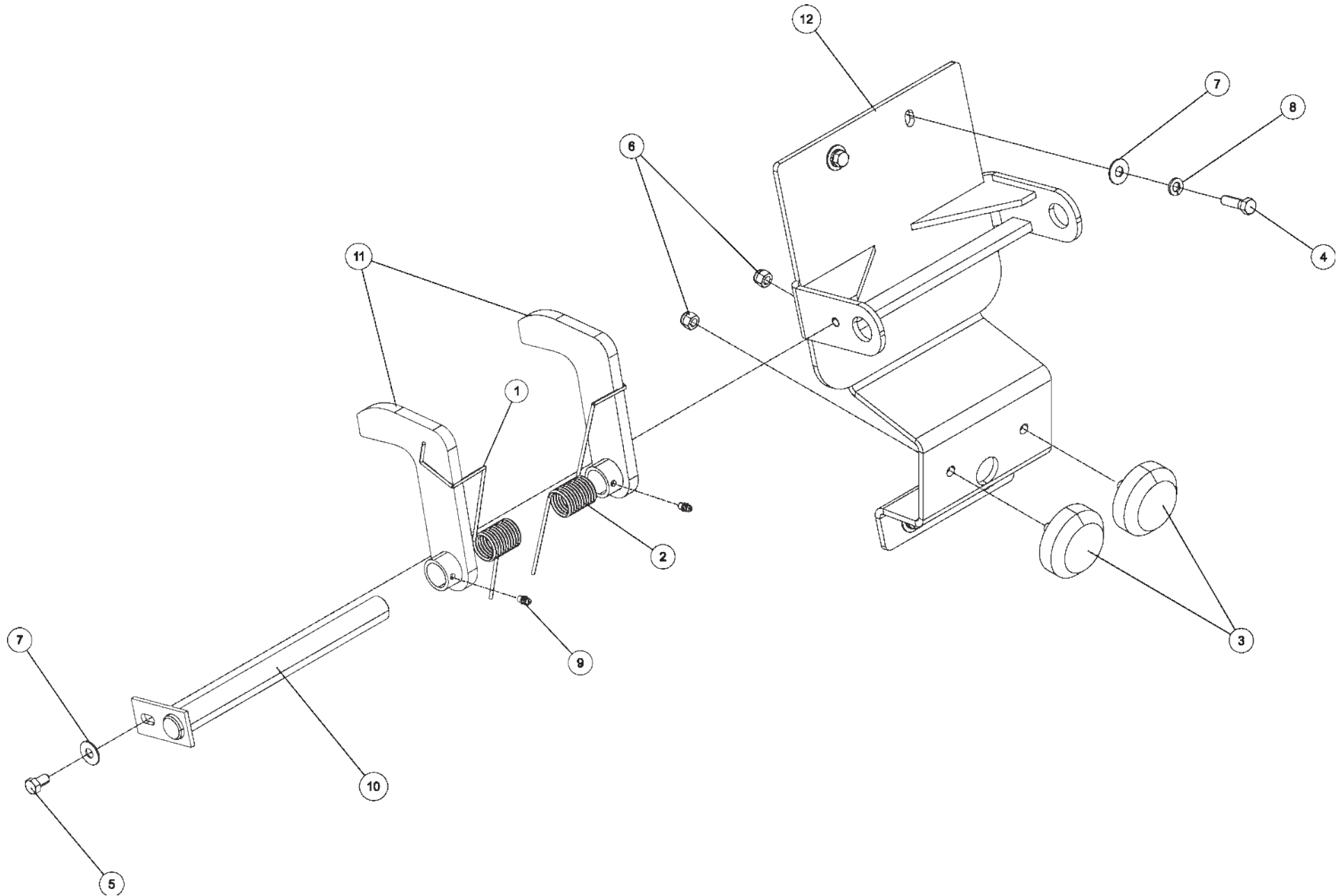
**Section I - PARTS**

**0904095, CROSSBAR ASSEMBLY (cont'd)**

| ITEM | PART NUMBER | DESCRIPTION              | QTY |
|------|-------------|--------------------------|-----|
|      | 0904095     | CROSSBAR ASSEMBLY        |     |
| 1    | 0301197     | COMP.SPRING,CROSS BAR,FI | 1   |
| 2    | 0301398     | STEEL BALL, 1-3/16 DIA   | 1   |
| 3    | 0303087     | O RING - PIVOT PIN       | 1   |
| 4    | 0303105     | THRUST WASHER - 1/8 THK  | 1   |
| 5    | 0303106     | THRUST WASHER - 1/16 THK | 1   |
| 6    | 0400354     | SCREW, 5/8-11X3-1/2 SHC  | 2   |
| 7    | 0400508     | LKWASHER, 5/8            | 2   |
| 8    | 0710054     | PIN, TOP HALF PIVOT      | 1   |
| 9    | 0710055     | PIN, BTM HALF PIVOT      | 1   |
| 10   | 0710195     | SPACER, DETENT SPRING    | 1   |
| 11   | 0803579     | CROSSBAR WLMT            | 1   |

Section I - PARTS

0911762, HOOK RETAINER ASSEMBLY



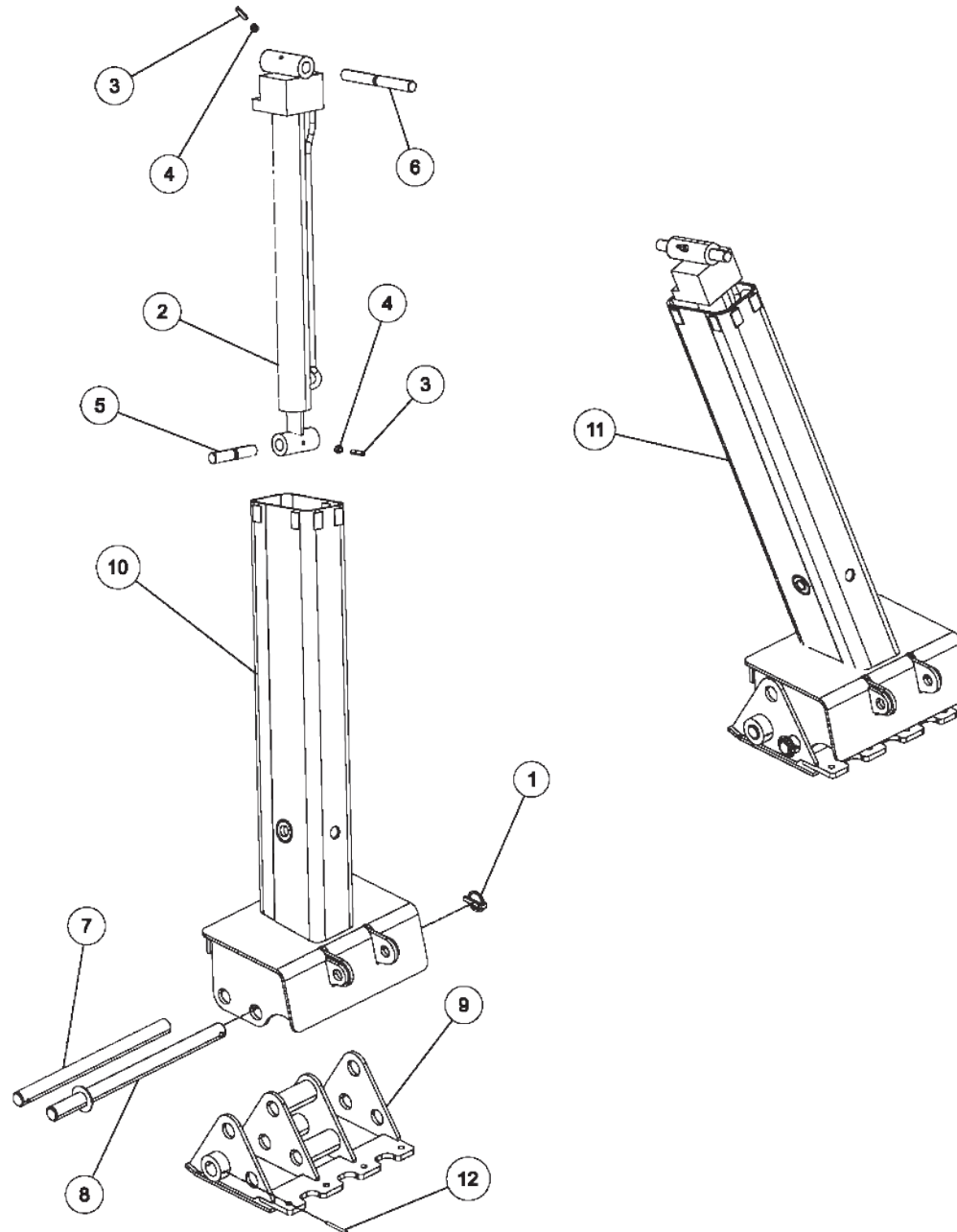
**Section I - PARTS**

**0911762, HOOK RETAINER ASSEMBLY (cont'd)**

| ITEM | PART NUMBER | DESCRIPTION                   | QTY |
|------|-------------|-------------------------------|-----|
|      | 0911762     | HOOK RETAINER ASSEMBLY        |     |
| 1    | 0311909     | SPRING, CABLE RETAINER, LH    | 1   |
| 2    | 0311910     | SPRING, CABLE RETAINER, RH    | 1   |
| 3    | 0312323     | RUBBER BUMPER                 | 2   |
| 4    | 0400122     | SCREW, 3/8-16X1-1/4 HHC GR5   | 4   |
| 5    | 0400149     | SCREW, 3/8-16X5/8 HHC GR5     | 1   |
| 6    | 0400392     | NUT, 3/8-16 LOK               | 2   |
| 7    | 0400480     | WASHER, 3/8                   | 5   |
| 8    | 0400482     | LKWASHER, 3/8                 | 4   |
| 9    | 0410400     | GREASE FITTING, 1/4-28 STR SS | 2   |
| 10   | 0802459     | PIN-FOLD CYL. WLDMT           | 1   |
| 11   | 0810272     | HOOK RETAINER WLDMT           | 2   |
| 12   | 0810307     | HOOK RETAINER FRAME WLDMT     | 1   |

Section I - PARTS

0906399, REAR SPADE ASSEMBLY



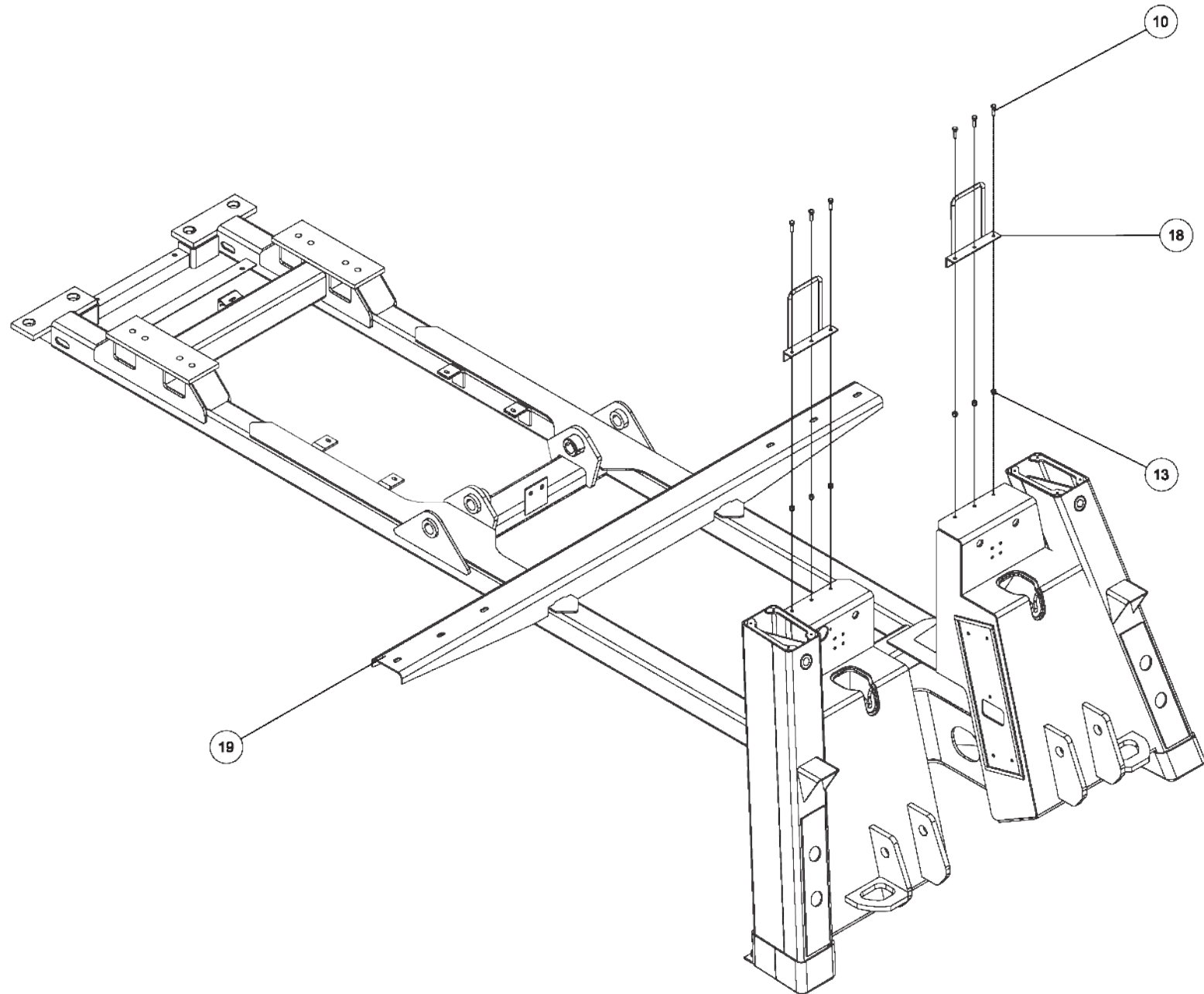
**Section I - PARTS**

**0906399, REAR SPADE ASSEMBLY (cont'd)**

| ITEM | PART NUMBER | DESCRIPTION                    | QTY |
|------|-------------|--------------------------------|-----|
|      | 0906399     | REAR SPADE ASSEMBLY            |     |
| 1    | 0301861     | QUICK PIN,LINCH -B7932 PL 7/16 | 2   |
| 2    | 0310013     | CYL, HYD TI-S24023424PPBZ      | 2   |
| 3    | 0400139     | SET SCREW, 3/8-16X1-1/2 SOC    | 4   |
| 4    | 0400392     | NUT, 3/8-16 LOK                | 4   |
| 5    | 0705500     | SHAFT, LOWER SPADE             | 2   |
| 6    | 0707394     | SHAFT, UPPER SPADE             | 2   |
| 7    | 0715694     | PIN, SPADE PIVOT               | 2   |
| 8    | 0804334     | PIN - MULTI-POSITION           | 2   |
| 9    | 0807630     | LOWER SPADE PAD WLMT           | 2   |
| 10   | 0807664     | INNER SPADE WELD'T L.H.(4024)  | 1   |
| 11   | 0807665     | INNER SPADE WELD'T R.H.(4024)  | 1   |
| 12   | 9046354     | PIN, 1/4X2-1/2 SPR             | 2   |

Section I - PARTS

0907320, SUBFRAME ASSEMBLY - 4024 / T2



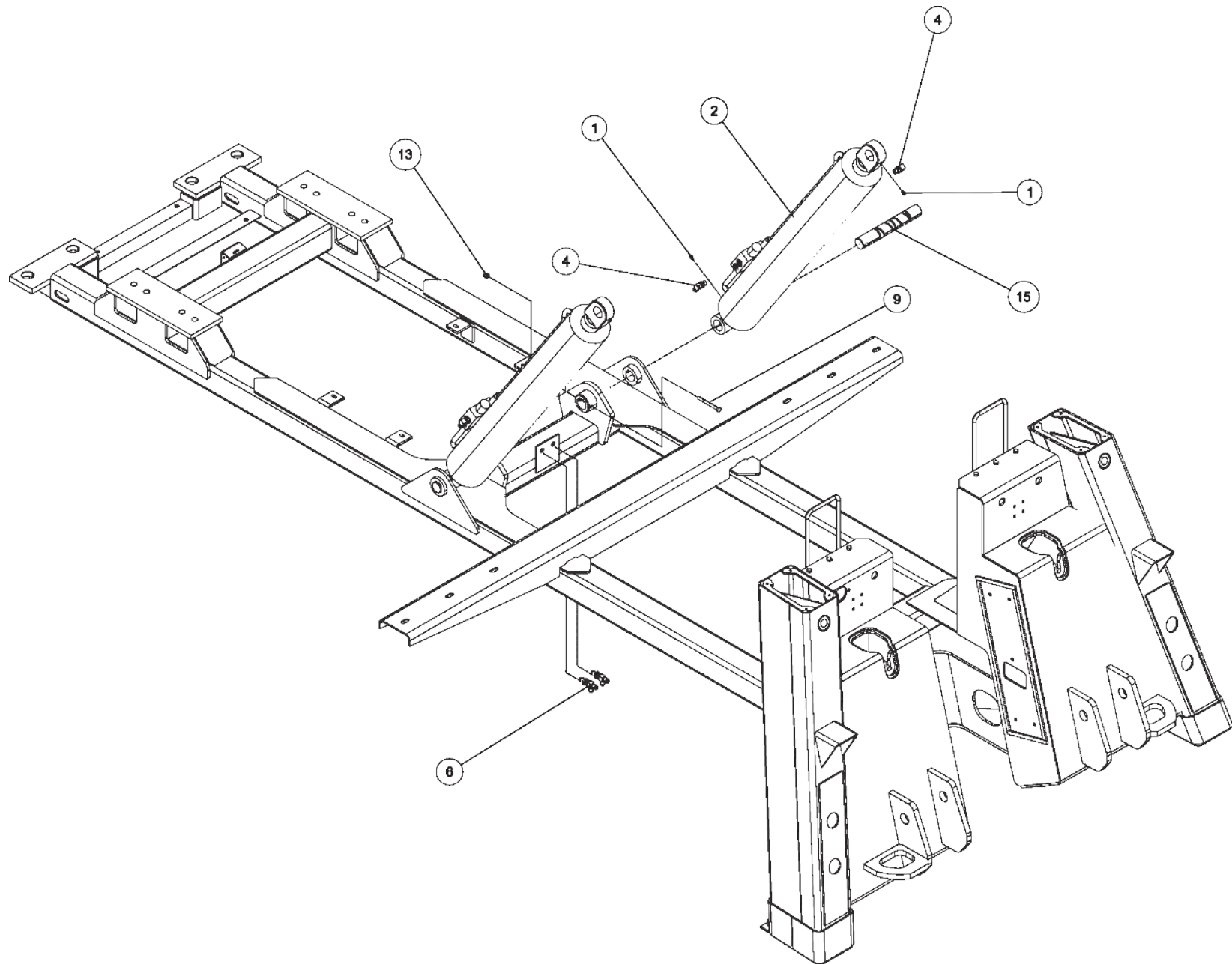
**Section I - PARTS**

**0907320, SUBFRAME ASSEMBLY - 4024 / T2 (cont'd)**

| ITEM | PART NUMBER | DESCRIPTION                    | QTY |
|------|-------------|--------------------------------|-----|
|      | 0907320     | SUBFRAME ASSY 4024/T2          |     |
| 1    | 0300113     | GREASE FITTING, 1/4-28 STR     | 4   |
| 2    | 03013541    | CYL, HYD 5.00 X 31.00 X 44.50  | 2   |
| 3    | 0301522     | ADAPTER, 6MJ-6MB               | 1   |
| 4    | 0301620     | FITTING, HYD. 6MJ - 6MB90      | 5   |
| 5    | 0301696     | FITTING, ELB 90 DEG 6MJ-6FJX90 | 1   |
| 6    | 0302575     | FITTING-BULKHEAD RUN TEE       | 2   |
| 7    | 0307107     | VALVE, HOLDING 4000 PSI SAE    | 1   |
| 8    | 0400078     | SCREW, 1/4-20X2 HHC GR5        | 2   |
| 9    | 0400130     | SCREW, 3/8-16X3-1/2 HHC GR5    | 2   |
| 10   | 0400148     | SCREW, 3/8-16X1-1/4 HHC GR5    | 6   |
| 11   | 0400286     | SCREW, 3/4-10X2-3/4 HHC GR8    | 8   |
| 12   | 0400367     | NUT, 1/4-20 LOK                | 2   |
| 13   | 0400392     | NUT, 3/8-16 LOK                | 8   |
| 14   | 0400431     | NUT, 3/4-10 LOK GR8            | 8   |
| 15   | 0707341     | PIN, LIFT CYL BASE             | 2   |
| 16   | 0712522     | BAR                            | 4   |
| 17   | 0714734     | PLATE, BOLTING                 | 4   |
| 18   | 08000117    | HAND RAIL WELD'T               | 2   |
| 19   | 08000806    | SUBFRAME WLMT-4024-12x15 SPADE | 1   |
| 20   | 0803643     | BRKT-BOOM PIVOT                | 2   |
| 21   | 0902353     | KIT-TANK-3224                  | 1   |
| 22   | 0903536     | PAN-VALVE ASSY                 | 1   |
| 23   | 0903696     | KIT-COVER-3224-5030            | 1   |
| 24   | 9012594     | FITT,HYD RUN TEE, 6MJx6MBx6MJ  | 1   |

Section I - PARTS

0907320, SUBFRAME ASSEMBLY - 4024 / T2 (cont'd)





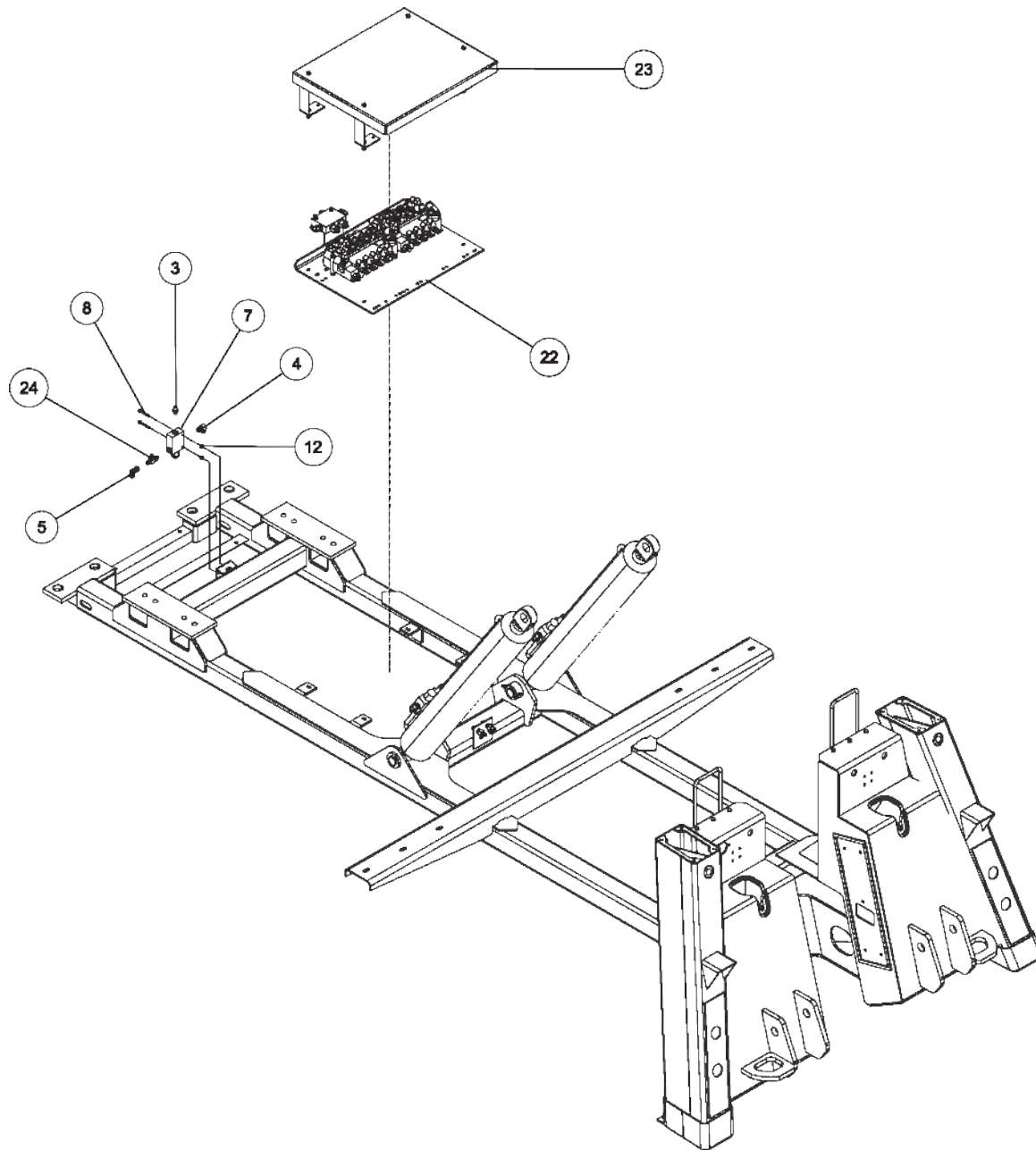
Section I - PARTS

0907320, SUBFRAME ASSEMBLY - 4024 / T2 (cont'd)

| ITEM | PART NUMBER | DESCRIPTION                    | QTY |
|------|-------------|--------------------------------|-----|
|      | 0907320     | SUBFRAME ASSY 4024/T2          |     |
| 1    | 0300113     | GREASE FITTING, 1/4-28 STR     | 4   |
| 2    | 03013541    | CYL, HYD 5.00 X 31.00 X 44.50  | 2   |
| 3    | 0301522     | ADAPTER, 6MJ-6MB               | 1   |
| 4    | 0301620     | FITTING, HYD. 6MJ - 6MB90      | 5   |
| 5    | 0301696     | FITTING, ELB 90 DEG 6MJ-6FJX90 | 1   |
| 6    | 0302575     | FITTING-BULKHEAD RUN TEE       | 2   |
| 7    | 0307107     | VALVE, HOLDING 4000 PSI SAE    | 1   |
| 8    | 0400078     | SCREW, 1/4-20X2 HHC GR5        | 2   |
| 9    | 0400130     | SCREW, 3/8-16X3-1/2 HHC GR5    | 2   |
| 10   | 0400148     | SCREW, 3/8-16X1-1/4 HHC GR5    | 6   |
| 11   | 0400286     | SCREW, 3/4-10X2-3/4 HHC GR8    | 8   |
| 12   | 0400367     | NUT, 1/4-20 LOK                | 2   |
| 13   | 0400392     | NUT, 3/8-16 LOK                | 8   |
| 14   | 0400431     | NUT, 3/4-10 LOK GR8            | 8   |
| 15   | 0707341     | PIN, LIFT CYL BASE             | 2   |
| 16   | 0712522     | BAR                            | 4   |
| 17   | 0714734     | PLATE, BOLTING                 | 4   |
| 18   | 08000117    | HAND RAIL WELD'T               | 2   |
| 19   | 08000806    | SUBFRAME WLMT-4024-12x15 SPADE | 1   |
| 20   | 0803643     | BRKT-BOOM PIVOT                | 2   |
| 21   | 0902353     | KIT-TANK-3224                  | 1   |
| 22   | 0903536     | PAN-VALVE ASSY                 | 1   |
| 23   | 0903696     | KIT-COVER-3224-5030            | 1   |
| 24   | 9012594     | FITT,HYD RUN TEE, 6MJx6MBx6MJ  | 1   |

Section I - PARTS

0907320, SUBFRAME ASSEMBLY - 4024 / T2 (cont'd)



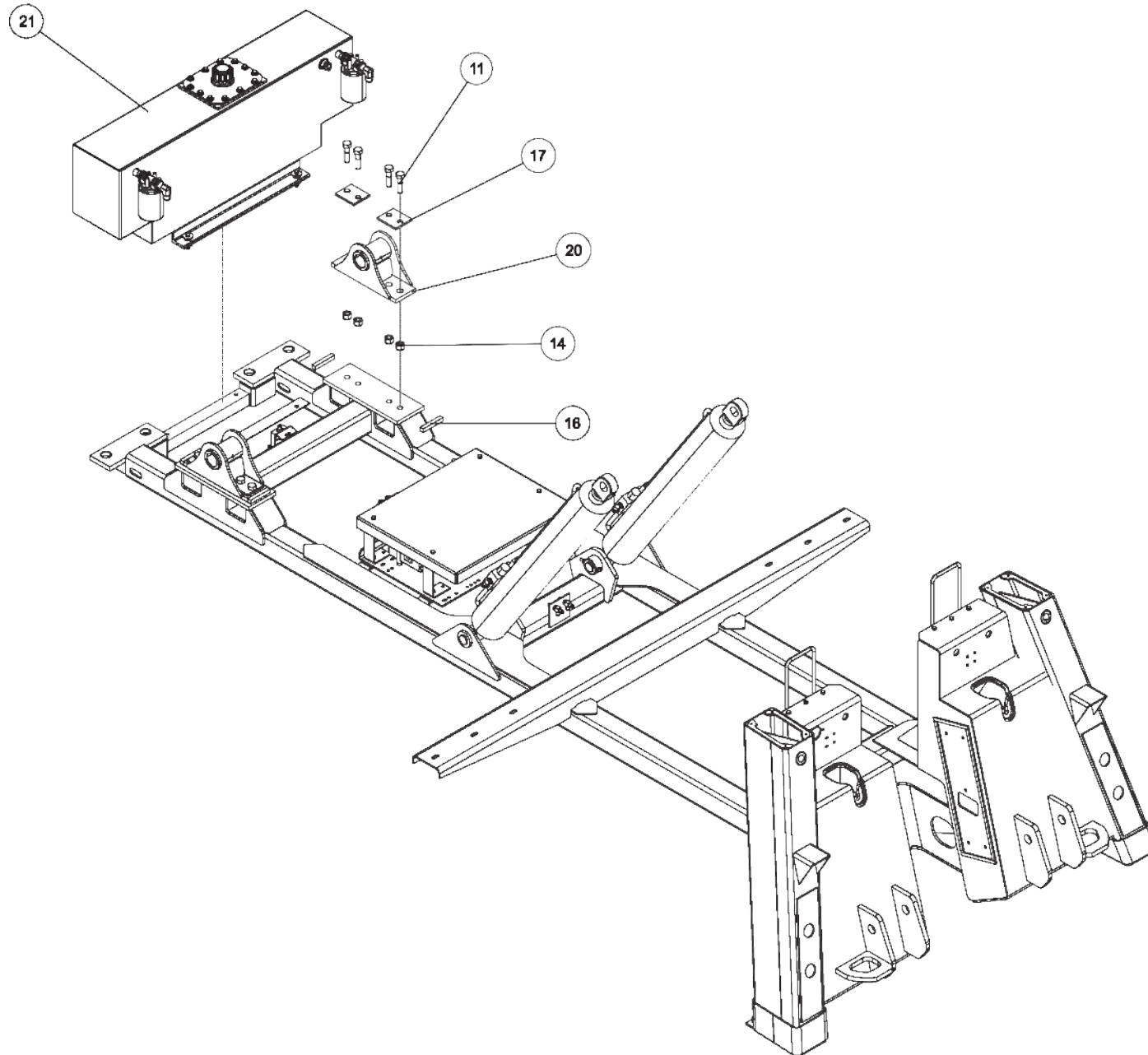
Section I - PARTS

0907320, SUBFRAME ASSEMBLY - 4024 / T2 (cont'd)

| ITEM | PART NUMBER | DESCRIPTION                    | QTY |
|------|-------------|--------------------------------|-----|
|      | 0907320     | SUBFRAME ASSY 4024/T2          |     |
| 1    | 0300113     | GREASE FITTING, 1/4-28 STR     | 4   |
| 2    | 03013541    | CYL, HYD 5.00 X 31.00 X 44.50  | 2   |
| 3    | 0301522     | ADAPTER, 6MJ-6MB               | 1   |
| 4    | 0301620     | FITTING, HYD. 6MJ - 6MB90      | 5   |
| 5    | 0301696     | FITTING, ELB 90 DEG 6MJ-6FJX90 | 1   |
| 6    | 0302575     | FITTING-BULKHEAD RUN TEE       | 2   |
| 7    | 0307107     | VALVE, HOLDING 4000 PSI SAE    | 1   |
| 8    | 0400078     | SCREW, 1/4-20X2 HHC GR5        | 2   |
| 9    | 0400130     | SCREW, 3/8-16X3-1/2 HHC GR5    | 2   |
| 10   | 0400148     | SCREW, 3/8-16X1-1/4 HHC GR5    | 6   |
| 11   | 0400286     | SCREW, 3/4-10X2-3/4 HHC GR8    | 8   |
| 12   | 0400367     | NUT, 1/4-20 LOK                | 2   |
| 13   | 0400392     | NUT, 3/8-16 LOK                | 8   |
| 14   | 0400431     | NUT, 3/4-10 LOK GR8            | 8   |
| 15   | 0707341     | PIN, LIFT CYL BASE             | 2   |
| 16   | 0712522     | BAR                            | 4   |
| 17   | 0714734     | PLATE, BOLTING                 | 4   |
| 18   | 08000117    | HAND RAIL WELD'T               | 2   |
| 19   | 08000806    | SUBFRAME WLMT-4024-12x15 SPADE | 1   |
| 20   | 0803643     | BRKT-BOOM PIVOT                | 2   |
| 21   | 0902353     | KIT-TANK-3224                  | 1   |
| 22   | 0903536     | PAN-VALVE ASSY                 | 1   |
| 23   | 0903696     | KIT-COVER-3224-5030            | 1   |
| 24   | 9012594     | FITT,HYD RUN TEE, 6MJx6MBx6MJ  | 1   |

Section I - PARTS

0907320, SUBFRAME ASSEMBLY - 4024 / T2 (cont'd)



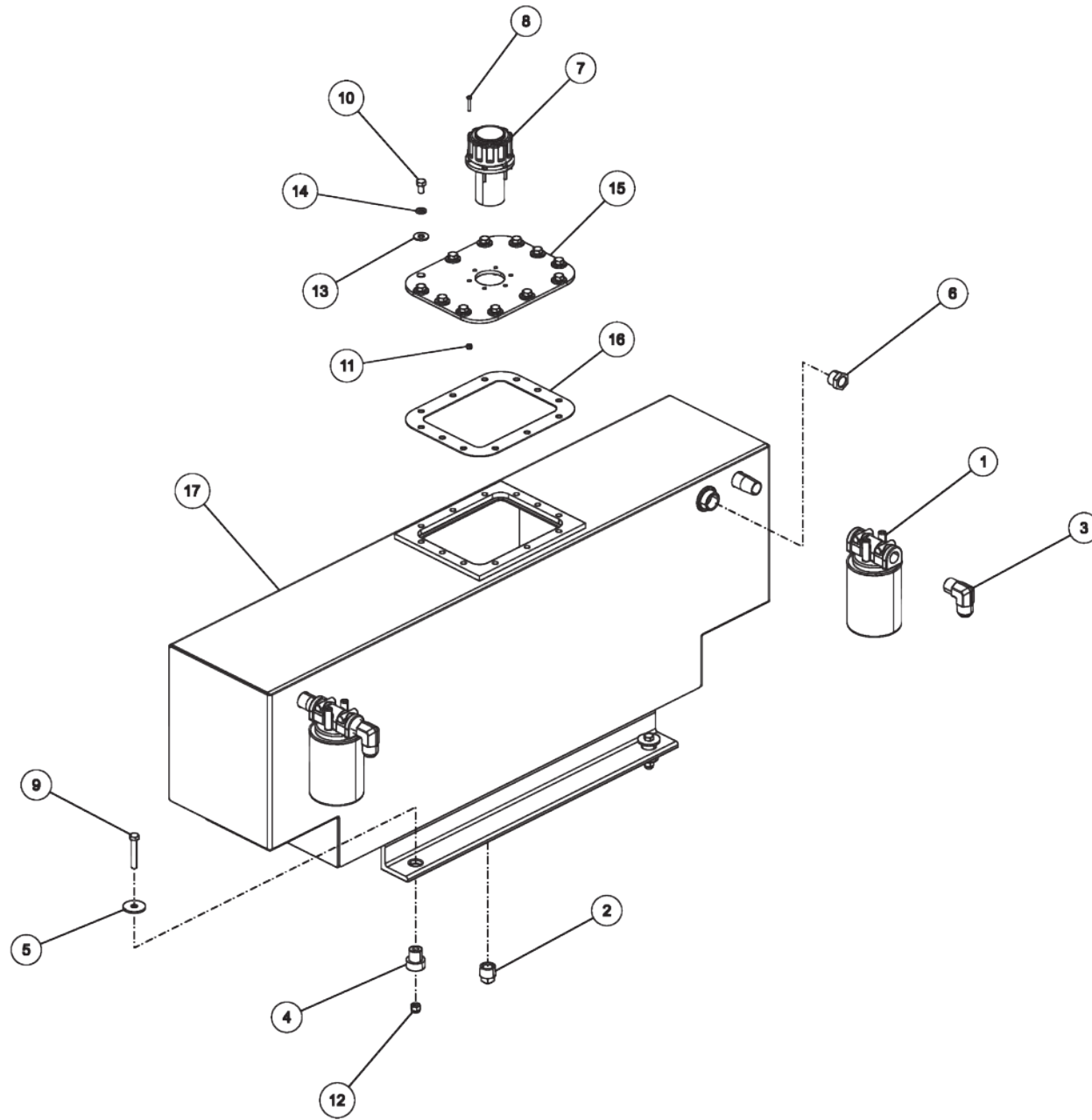
Section I - PARTS

0907320, SUBFRAME ASSEMBLY - 4024 / T2 (cont'd)

| ITEM | PART NUMBER | DESCRIPTION                    | QTY |
|------|-------------|--------------------------------|-----|
|      | 0907320     | SUBFRAME ASSY 4024/T2          |     |
| 1    | 0300113     | GREASE FITTING, 1/4-28 STR     | 4   |
| 2    | 03013541    | CYL, HYD 5.00 X 31.00 X 44.50  | 2   |
| 3    | 0301522     | ADAPTER, 6MJ-6MB               | 1   |
| 4    | 0301620     | FITTING, HYD. 6MJ - 6MB90      | 5   |
| 5    | 0301696     | FITTING, ELB 90 DEG 6MJ-6FJX90 | 1   |
| 6    | 0302575     | FITTING-BULKHEAD RUN TEE       | 2   |
| 7    | 0307107     | VALVE, HOLDING 4000 PSI SAE    | 1   |
| 8    | 0400078     | SCREW, 1/4-20X2 HHC GR5        | 2   |
| 9    | 0400130     | SCREW, 3/8-16X3-1/2 HHC GR5    | 2   |
| 10   | 0400148     | SCREW, 3/8-16X1-1/4 HHC GR5    | 6   |
| 11   | 0400286     | SCREW, 3/4-10X2-3/4 HHC GR8    | 8   |
| 12   | 0400367     | NUT, 1/4-20 LOK                | 2   |
| 13   | 0400392     | NUT, 3/8-16 LOK                | 8   |
| 14   | 0400431     | NUT, 3/4-10 LOK GR8            | 8   |
| 15   | 0707341     | PIN, LIFT CYL BASE             | 2   |
| 16   | 0712522     | BAR                            | 4   |
| 17   | 0714734     | PLATE, BOLTING                 | 4   |
| 18   | 08000117    | HAND RAIL WELD'T               | 2   |
| 19   | 08000806    | SUBFRAME WLMT-4024-12x15 SPADE | 1   |
| 20   | 0803643     | BRKT-BOOM PIVOT                | 2   |
| 21   | 0902353     | KIT-TANK-3224                  | 1   |
| 22   | 0903536     | PAN-VALVE ASSY                 | 1   |
| 23   | 0903696     | KIT-COVER-3224-5030            | 1   |
| 24   | 9012594     | FITT, HYD RUN TEE, 6MJx6MBx6MJ | 1   |

Section I - PARTS

0902353, TANK KIT - 3224



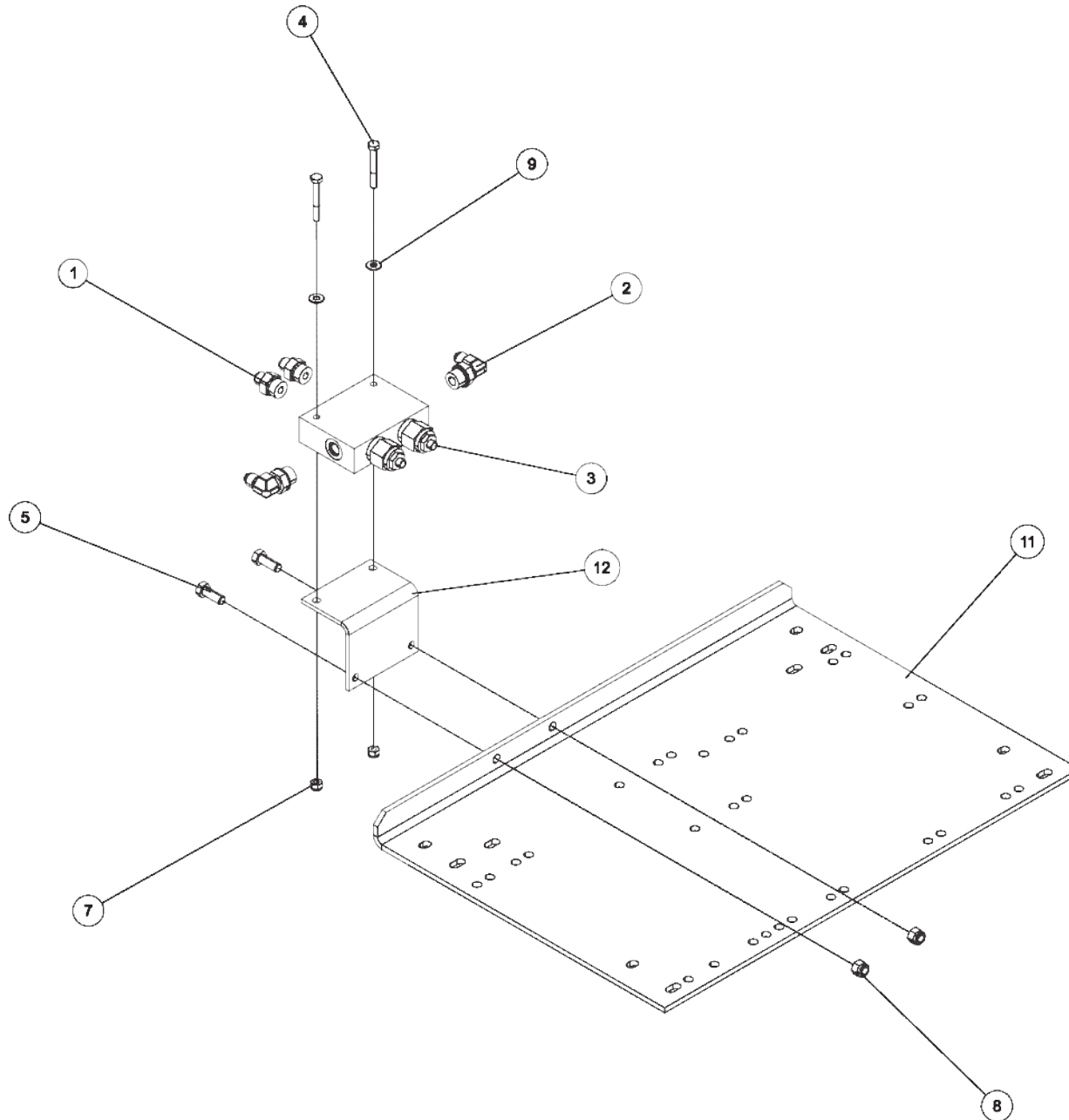
**Section I - PARTS**

**0902353, TANK KIT - 3224 (cont'd)**

| ITEM | PART NUMBER | DESCRIPTION                   | QTY |
|------|-------------|-------------------------------|-----|
|      | 0902353     | TANK KIT - 3224               |     |
| 1    | 0300136     | RETURN LINE FLTR ASSY         | 2   |
| 2    | 0300446     | 3/4" NPT PIPE PLUG, MALE      | 1   |
| 3    | 0300615     | FITTING, 12MJ-12MP90          | 2   |
| 4    | 0302227     | CENTER BONDED MOUNT           | 4   |
| 5    | 0302228     | SPECIAL WASHER (LORD          | 4   |
| 6    | 0302570     | SIGHT GAUGE 3/4 NPT (SVM-12)  | 1   |
| 7    | 0305006     | FILLER CAP (GO205,FB194)      | 1   |
| 8    | 0400036     | SCREW, 10-32X1 SRH            | 6   |
| 9    | 0400146     | SCREW, 3/8-16X2-1/4 HHC GR5   | 4   |
| 10   | 0400149     | SCREW, 3/8-16X5/8 HHC GR5     | 12  |
| 11   | 0400357     | NUT, 10-32 LOK                | 6   |
| 12   | 0400392     | NUT, 3/8-16 LOK               | 4   |
| 13   | 0400480     | WASHER, 3/8                   | 12  |
| 14   | 0400482     | LKWASHER, 3/8                 | 12  |
| 15   | 0705910     | PLATE, COVER                  | 1   |
| 16   | 0706114     | GSKT, CLEANOUT & FILLER COVER | 1   |
| 17   | 0803163     | RESERVOIR WELDMENT-1624       | 1   |

Section I - PARTS

0903536 PAN VALVE ASSEMBLY





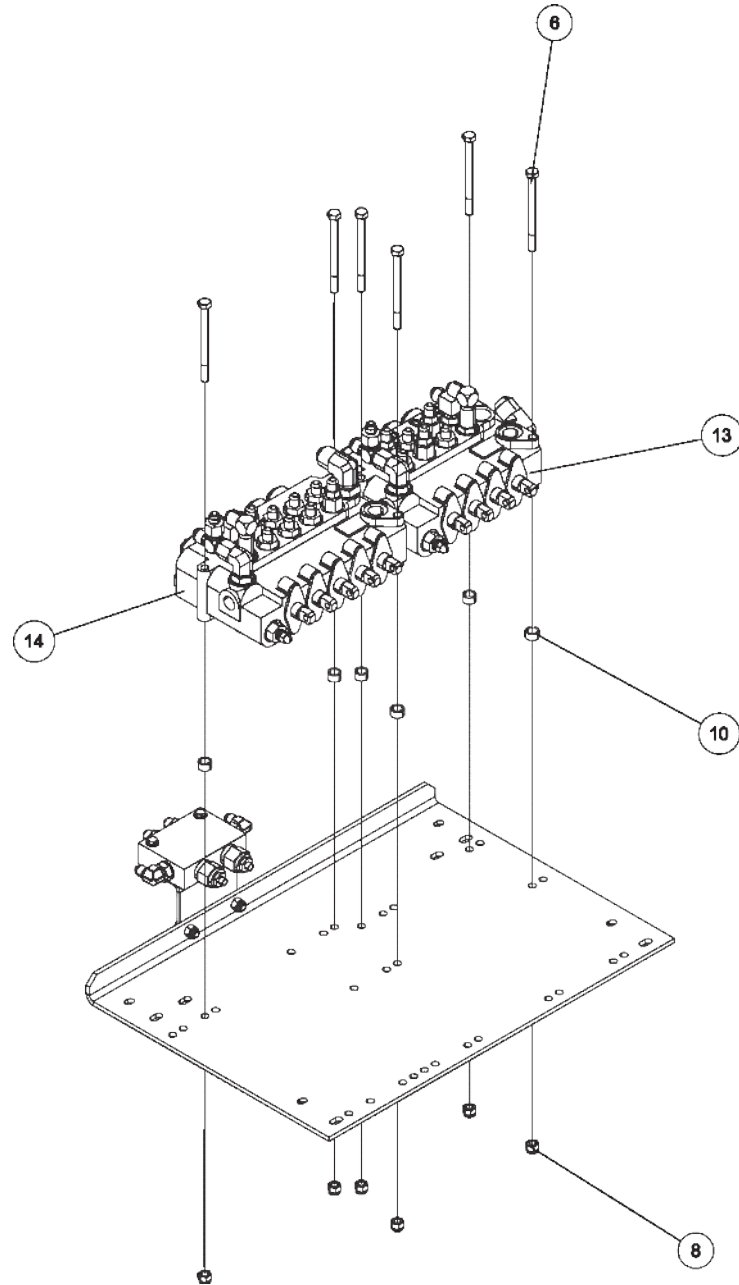
**Section I - PARTS**

**0903536 PAN VALVE ASSEMBLY (cont'd)**

| ITEM | PART NUMBER | DESCRIPTION                    | QTY |
|------|-------------|--------------------------------|-----|
|      | 0903536     | PAN - VALVE ASSEMBLY           |     |
| 1    | 0300044     | FITT, HYD CONN. 6MJ-8MB        | 2   |
| 2    | 0301470     | FITTING, 90ELB 6MJ-8MB90       | 2   |
| 3    | 0301730     | VALVE, DOUBLE HOLDING          | 1   |
| 4    | 0400078     | SCREW, 1/4-20X2 HHC GR5        | 2   |
| 5    | 0400126     | SCREW, 3/8-16X1 HHC GR5        | 2   |
| 6    | 0400135     | SCREW, 3/8-16X4-1/2 HHC GR5    | 6   |
| 7    | 0400367     | NUT, 1/4-20 LOK                | 2   |
| 8    | 0400392     | NUT, 3/8-16 LOK                | 8   |
| 9    | 0400451     | WASHER, 1/4                    | 4   |
| 10   | 0704045     | SPACER, CONTROL VALVE          | 6   |
| 11   | 0717827     | PLATE, VALVE MOUNTING          | 1   |
| 12   | 0719122     | PLATE - VALVE MTG              | 1   |
| 13   | 0906494     | VALVE ASSY,PARKER 4 SPL W/FTGS | 1   |
| 14   | 0906495     | VALVE ASSY,PARKER 5 SPL W/FTGS | 1   |

Section I - PARTS

0903536 PAN VALVE ASSEMBLY (cont'd)



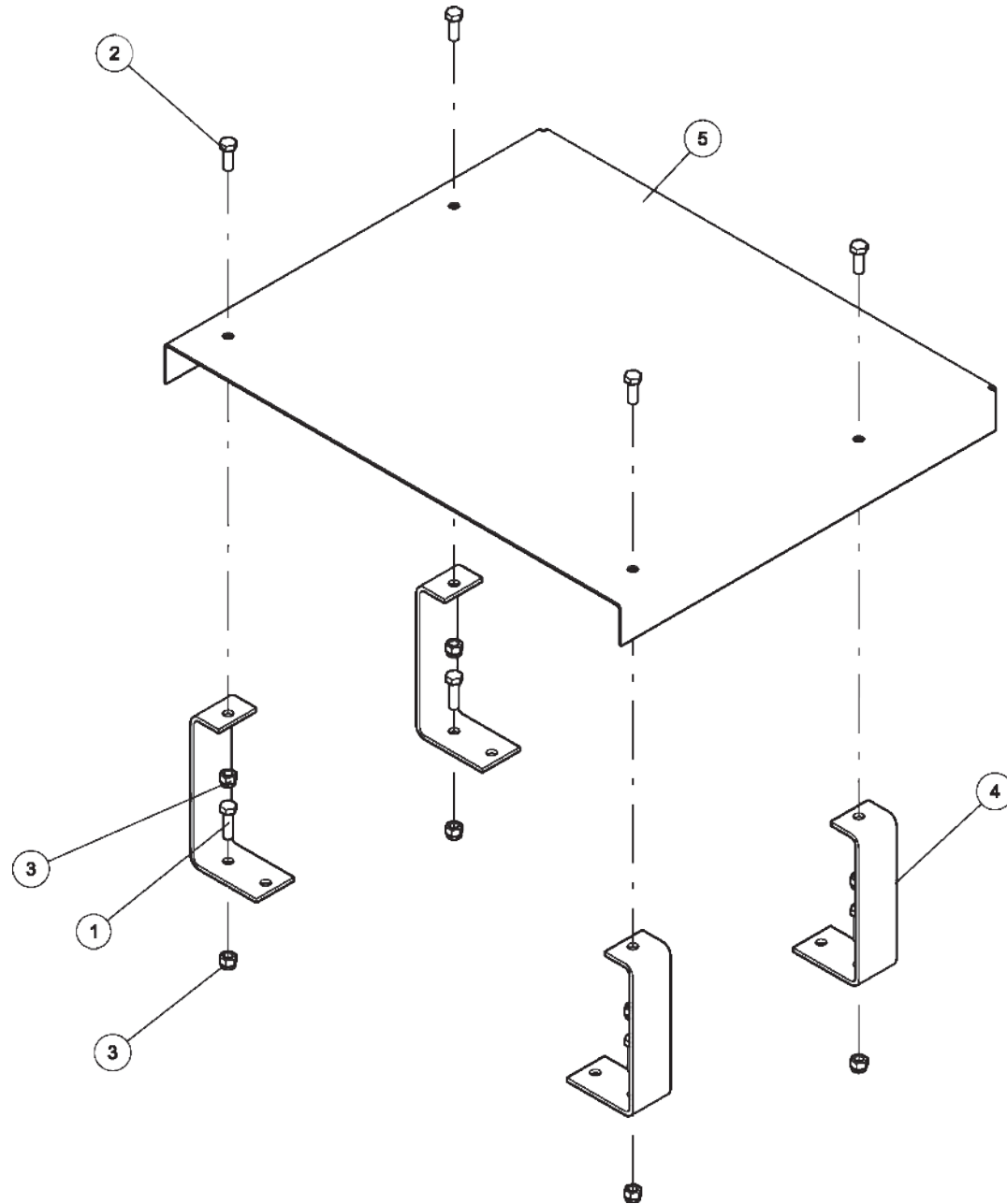
**Section I - PARTS**

**0903536 PAN VALVE ASSEMBLY (cont'd)**

| ITEM | PART NUMBER | DESCRIPTION                    | QTY |
|------|-------------|--------------------------------|-----|
|      | 0903536     | PAN - VALVE ASSEMBLY           |     |
| 1    | 0300044     | FITT, HYD CONN. 6MJ-8MB        | 2   |
| 2    | 0301470     | FITTING, 90ELB 6MJ-8MB90       | 2   |
| 3    | 0301730     | VALVE, DOUBLE HOLDING          | 1   |
| 4    | 0400078     | SCREW, 1/4-20X2 HHC GR5        | 2   |
| 5    | 0400126     | SCREW, 3/8-16X1 HHC GR5        | 2   |
| 6    | 0400135     | SCREW, 3/8-16X4-1/2 HHC GR5    | 6   |
| 7    | 0400367     | NUT, 1/4-20 LOK                | 2   |
| 8    | 0400392     | NUT, 3/8-16 LOK                | 8   |
| 9    | 0400451     | WASHER, 1/4                    | 4   |
| 10   | 0704045     | SPACER, CONTROL VALVE          | 6   |
| 11   | 0717827     | PLATE, VALVE MOUNTING          | 1   |
| 12   | 0719122     | PLATE - VALVE MTG              | 1   |
| 13   | 0906494     | VALVE ASSY,PARKER 4 SPL W/FTGS | 1   |
| 14   | 0906495     | VALVE ASSY,PARKER 5 SPL W/FTGS | 1   |

Section I - PARTS

0903696 COVER ASSEMBLY



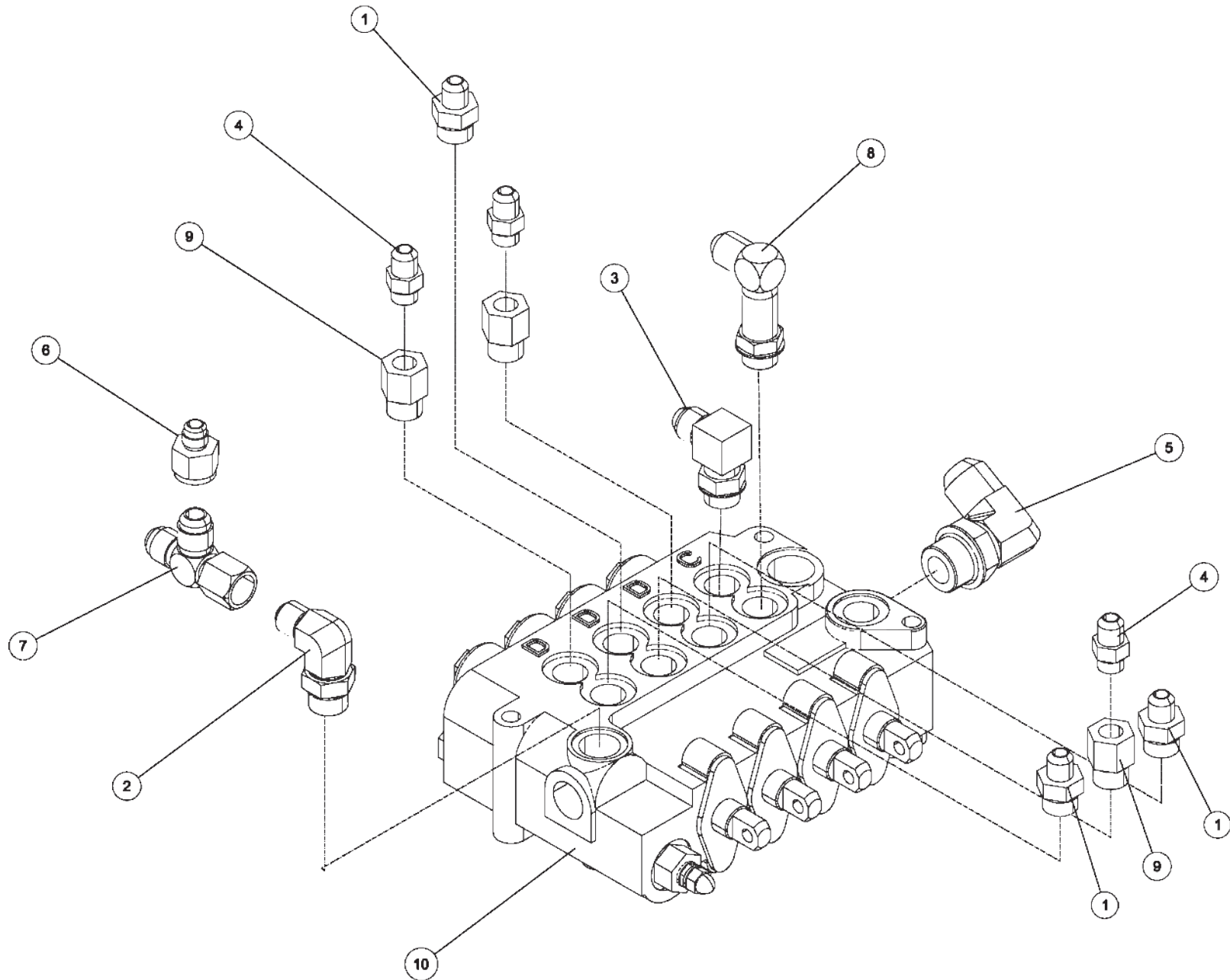
**Section I - PARTS**

**0903696 COVER ASSEMBLY (cont'd)**

| ITEM | PART NUMBER | DESCRIPTION                 | QTY |
|------|-------------|-----------------------------|-----|
|      | 0903696     | COVER ASSEMBLY              |     |
| 1    | 0400122     | SCREW, 3/8-16X1-1/4 HHC GR5 | 4   |
| 2    | 0400126     | SCREW, 3/8-16X1 HHC GR5     | 4   |
| 3    | 0400392     | NUT, 3/8-16 LOK             | 8   |
| 4    | 0711575     | SUPPORT, COVER              | 4   |
| 5    | 0717066     | COVER - VALVE               | 1   |

# Section I - PARTS

## 0906494 VALVE ASSEMBLY, PARKER 4 SPOOL



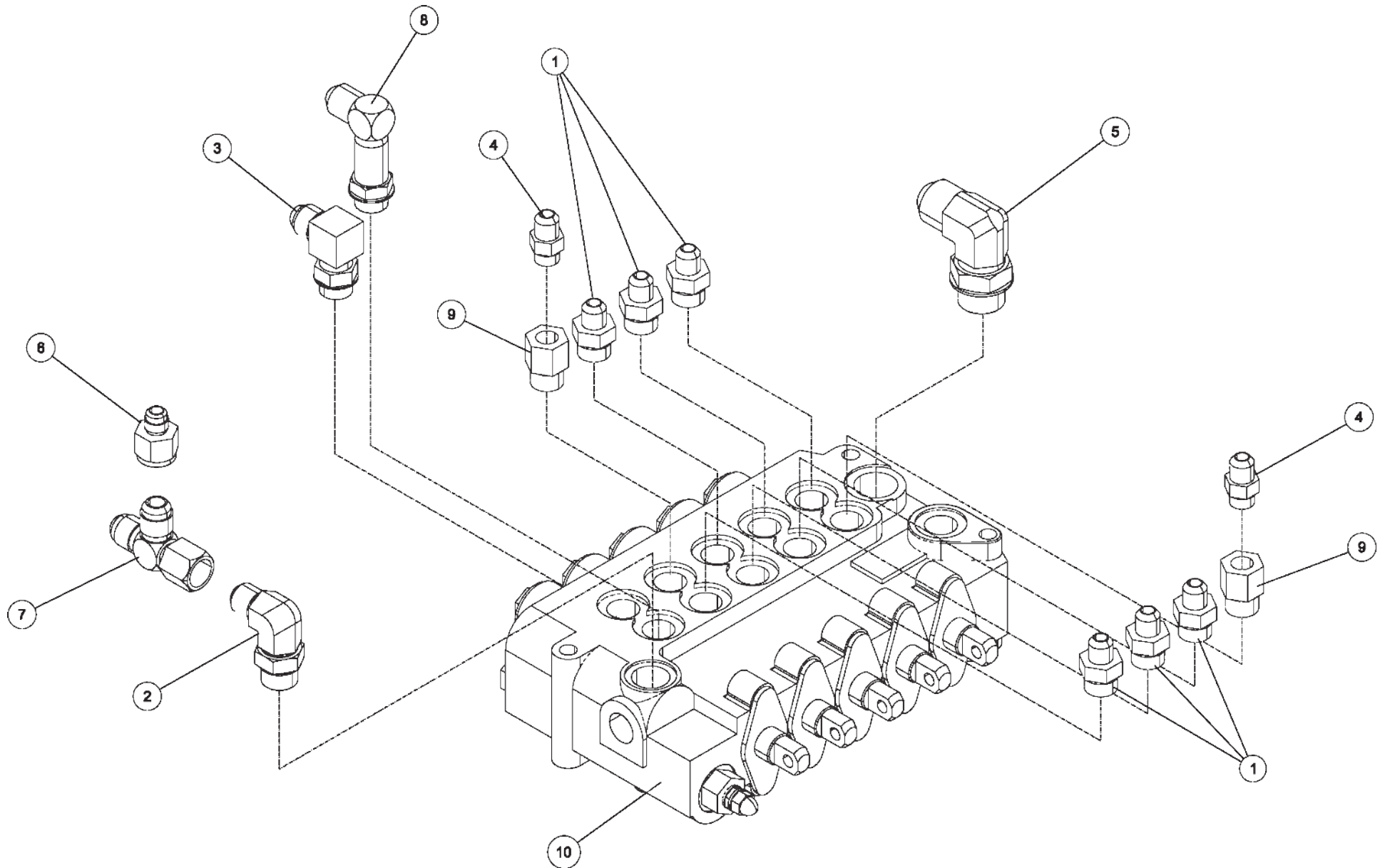
**Section I - PARTS**

**0906494 VALVE ASSEMBLY, PARKER 4 SPOOL (cont'd)**

| ITEM | PART NUMBER | DESCRIPTION               | QTY |
|------|-------------|---------------------------|-----|
|      | 0906494     | VALVE ASSY, PARKER 4 SPL  |     |
| 1    | 0300044     | FITT, HYD CONN. 6MJ-8MB   | 3   |
| 2    | 0300052     | FITTING, ELB 8MJ-10MB 90  | 1   |
| 3    | 0301388     | ELBOW, 8MJ-8MB90          | 1   |
| 4    | 0301522     | ADAPTER, 6MJ-6MB          | 3   |
| 5    | 0301545     | FITTING, ELB 12MJ-12MB 90 | 1   |
| 6    | 0301995     | FITTING, ADAPTER STR      | 1   |
| 7    | 0302052     | TEE, 8MJ-8FJX-8MJ RUN     | 1   |
| 8    | 0302508     | FITTING, ELL 8MJ-8MB 90LL | 1   |
| 9    | 0303017     | FITTING, CONNECTOR        | 3   |
| 10   | 0303093     | VALVE, 4 SPOOL PARKER     | 1   |

Section I - PARTS

0906495 VALVE ASSEMBLY, PARKER 5 SPOOL





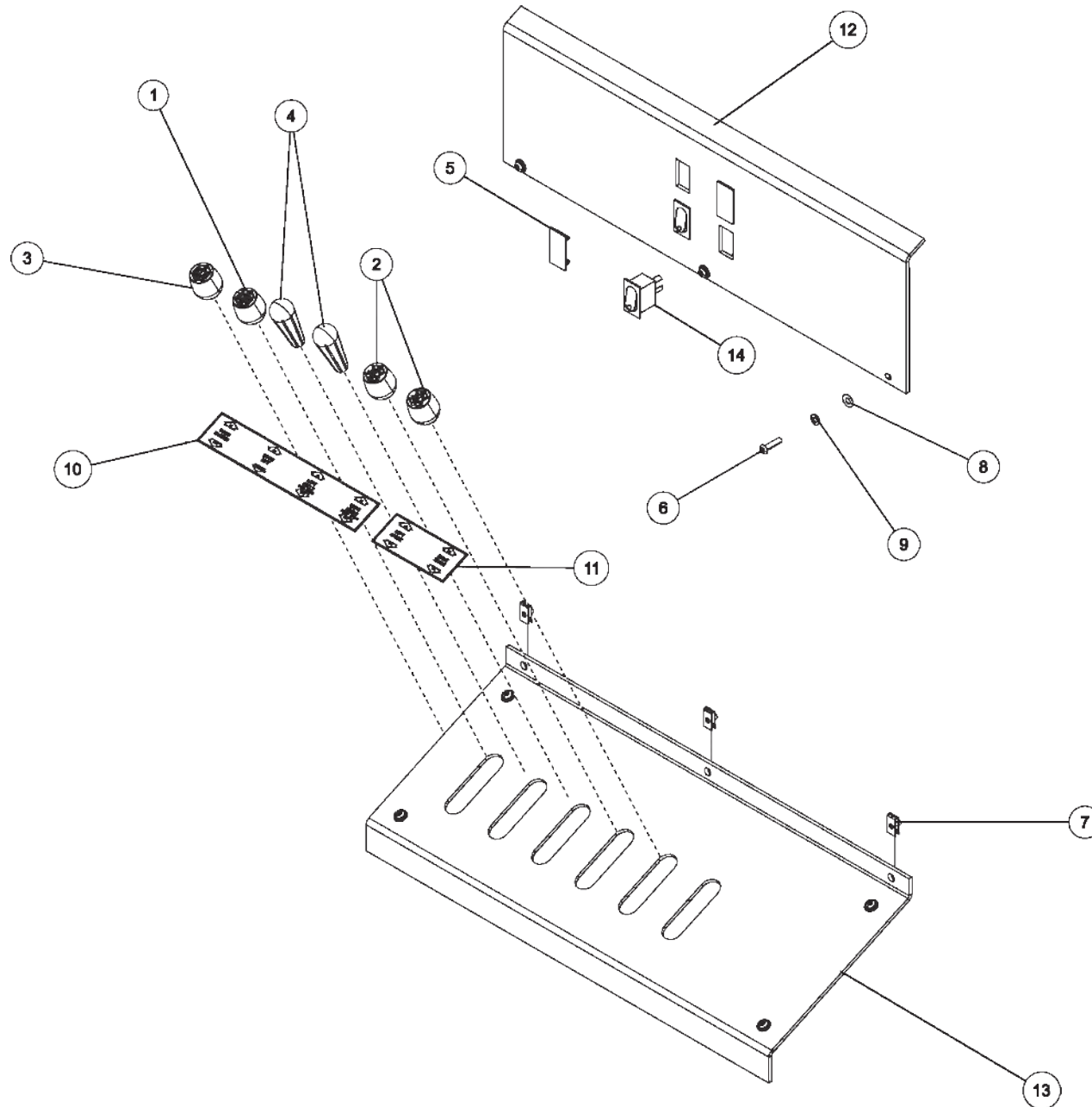
**Section I - PARTS**

**0906495 VALVE ASSEMBLY, PARKER 5 SPOOL (cont'd)**

| ITEM | PART NUMBER | DESCRIPTION               | QTY |
|------|-------------|---------------------------|-----|
|      | 0906495     | VALVE ASSY, PARKER 5 SPL  |     |
| 1    | 0300044     | FITT, HYD CONN. 6MJ-8MB   | 6   |
| 2    | 0300052     | FITTING, ELB 8MJ-10MB 90  | 1   |
| 3    | 0301388     | ELBOW, 8MJ-8MB90          | 1   |
| 4    | 0301522     | ADAPTER, 6MJ-6MB          | 2   |
| 5    | 0301545     | FITTING, ELB 12MJ-12MB 90 | 1   |
| 6    | 0301995     | FITTING, ADAPTER STR      | 1   |
| 7    | 0302052     | TEE, 8MJ-8FJX-8MJ RUN     | 1   |
| 8    | 0302508     | FITTING, ELL 8MJ-8MB 90LL | 1   |
| 9    | 0303017     | FITTING, CONNECTOR        | 2   |
| 10   | 0303094     | VALVE, 5 SPOOL PARKER     | 1   |

Section I - PARTS

0907708, CONTROL KIT RIGHT HAND



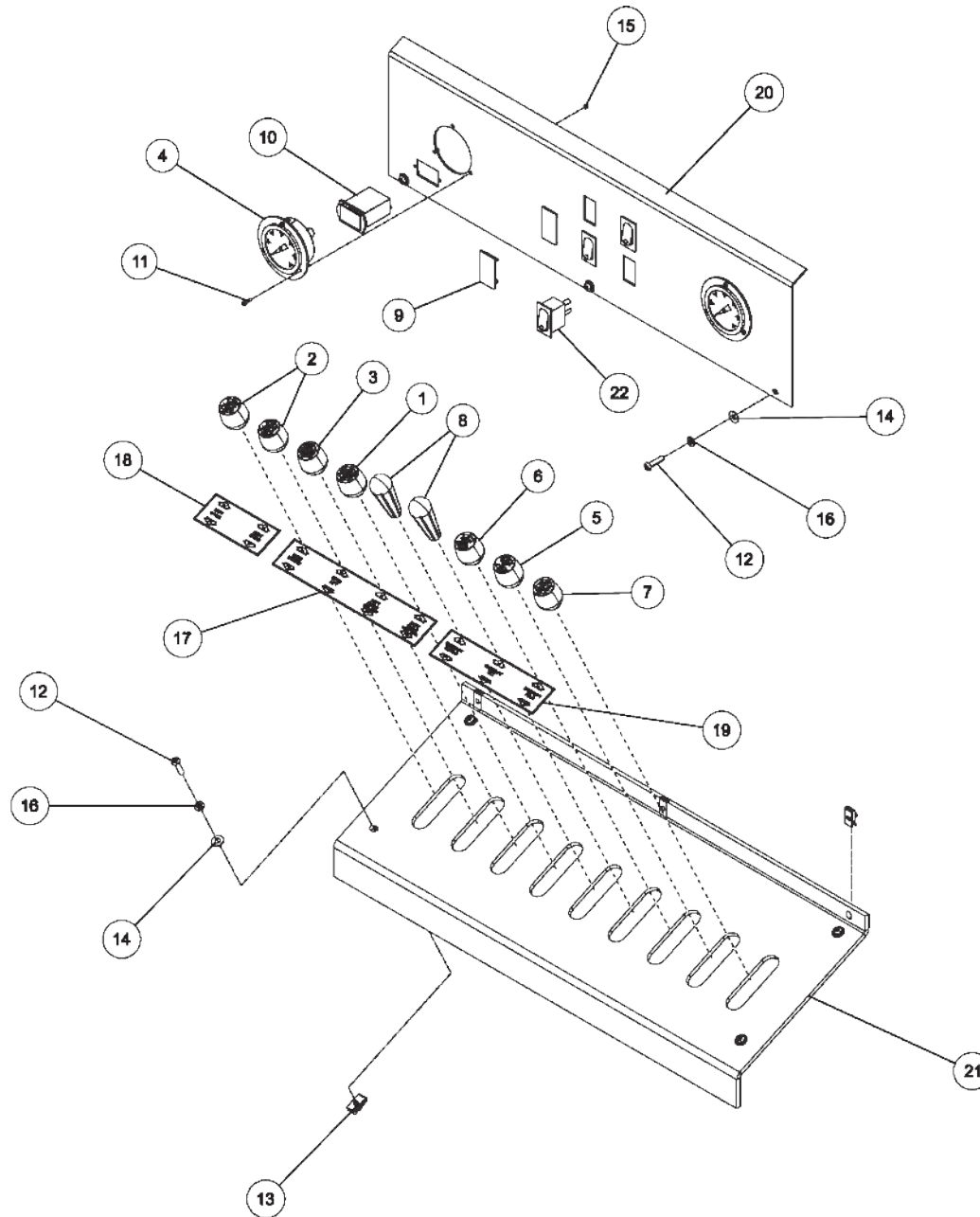
**Section I - PARTS**

**0907708, CONTROL KIT RIGHT HAND (cont'd)**

| ITEM | PART NUMBER | DESCRIPTION                     | QTY |
|------|-------------|---------------------------------|-----|
|      | 0907708     | CONTROL KIT RT KNOB, DECAL, PLT |     |
| 1    | 0300835     | KNOB-BOOM (UP-DOWN)             | 1   |
| 2    | 0300836     | KNOB-CTRL-JACK (UP-DOWN)        | 2   |
| 3    | 0300837     | KNOB-BOOM (IN-OUT)              | 1   |
| 4    | 0307604     | KNOB, RED LONG - SK0700-07      | 2   |
| 5    | 0307778     | PLUG, FILLER                    | 2   |
| 6    | 04000381    | SS BHSCS 1/4-20 X 1             | 7   |
| 7    | 0400369     | NUT, 1/4 SPR J                  | 7   |
| 8    | 0400454     | WASHER, 1/4 SS                  | 7   |
| 9    | 0402111     | LKWASHER, 1/4 SS                | 7   |
| 10   | 0500914     | DECAL-CTRL PANEL WRECKER        | 1   |
| 11   | 0500915     | DECAL-CTRL PANEL SPADE          | 1   |
| 12   | 0727019     | APANEL, SWITCH                  | 1   |
| 13   | 0727034     | APANEL, CONTROL 6 HANDLE        | 1   |
| 14   | 9024041     | SWITCH, ROCKER SPST RED 12V21A  | 2   |

# Section I - PARTS

## 0907757, CONTROL KIT LEFT HAND



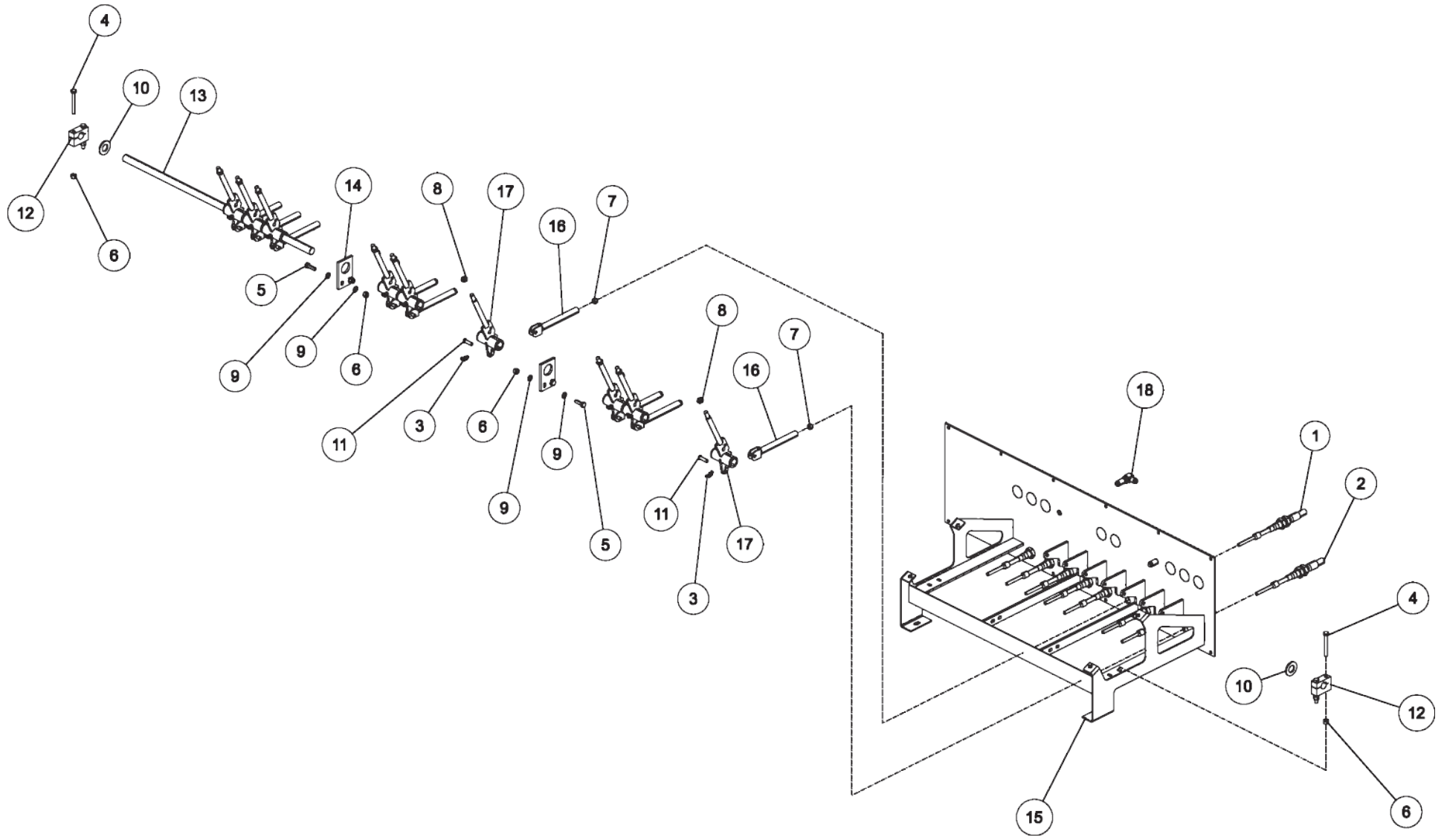
**Section I - PARTS**

**0907757, CONTROL KIT LEFT HAND (cont'd)**

| ITEM | PART NUMBER | DESCRIPTION                      | QTY |
|------|-------------|----------------------------------|-----|
|      | 0907757     | CONTROL KIT LEFT KNOB,DECAL, PLT |     |
| 1    | 0300835     | KNOB-BOOM (UP-DOWN)              | 1   |
| 2    | 0300836     | KNOB-CTRL-JACK (UP-DOWN)         | 2   |
| 3    | 0300837     | KNOB-BOOM (IN-OUT)               | 1   |
| 4    | 0302205     | GAUGE, FLUSH MNTG-6000 PSI       | 2   |
| 5    | 0302856     | KNOB-TILT, 3/8-16 THREAD         | 1   |
| 6    | 0302917     | KNOB-WHL LIFT EXT IN-OUT         | 1   |
| 7    | 0303382     | KNOB - FOLD (UP-DN)              | 1   |
| 8    | 0307604     | KNOB, RED LONG - SK0700-07       | 2   |
| 9    | 0307778     | PLUG, FILLER                     | 2   |
| 10   | 0311355     | HOBBS HOURMETER                  | 1   |
| 11   | 0400005     | SCREW, 6-32X1/2 PRH SS           | 6   |
| 12   | 04000381    | SS BHSCS 1/4-20 X 1              | 7   |
| 13   | 0400369     | NUT, 1/4 SPR J                   | 7   |
| 14   | 0400454     | WASHER, 1/4 SS                   | 7   |
| 15   | 0402094     | NUT, HEX 6-32 SS                 | 6   |
| 16   | 0402111     | LKWASHER, 1/4 SS                 | 7   |
| 17   | 0500914     | DECAL-CTRL PANEL WRECKER         | 1   |
| 18   | 0500915     | DECAL-CTRL PANEL SPADE           | 1   |
| 19   | 0500916     | DECAL-CTRL PNL UNDERLIFT         | 1   |
| 20   | 0727016     | APANEL, GAUGE 9 HANDLE           | 1   |
| 21   | 0727033     | APANEL, CONTROL 9 HANDLE         | 1   |
| 22   | 9024041     | SWITCH, ROCKER SPST RED 12V21A   | 3   |

Section I - PARTS

0907893, CONTROL ASSEMBLY (9) HANDLES



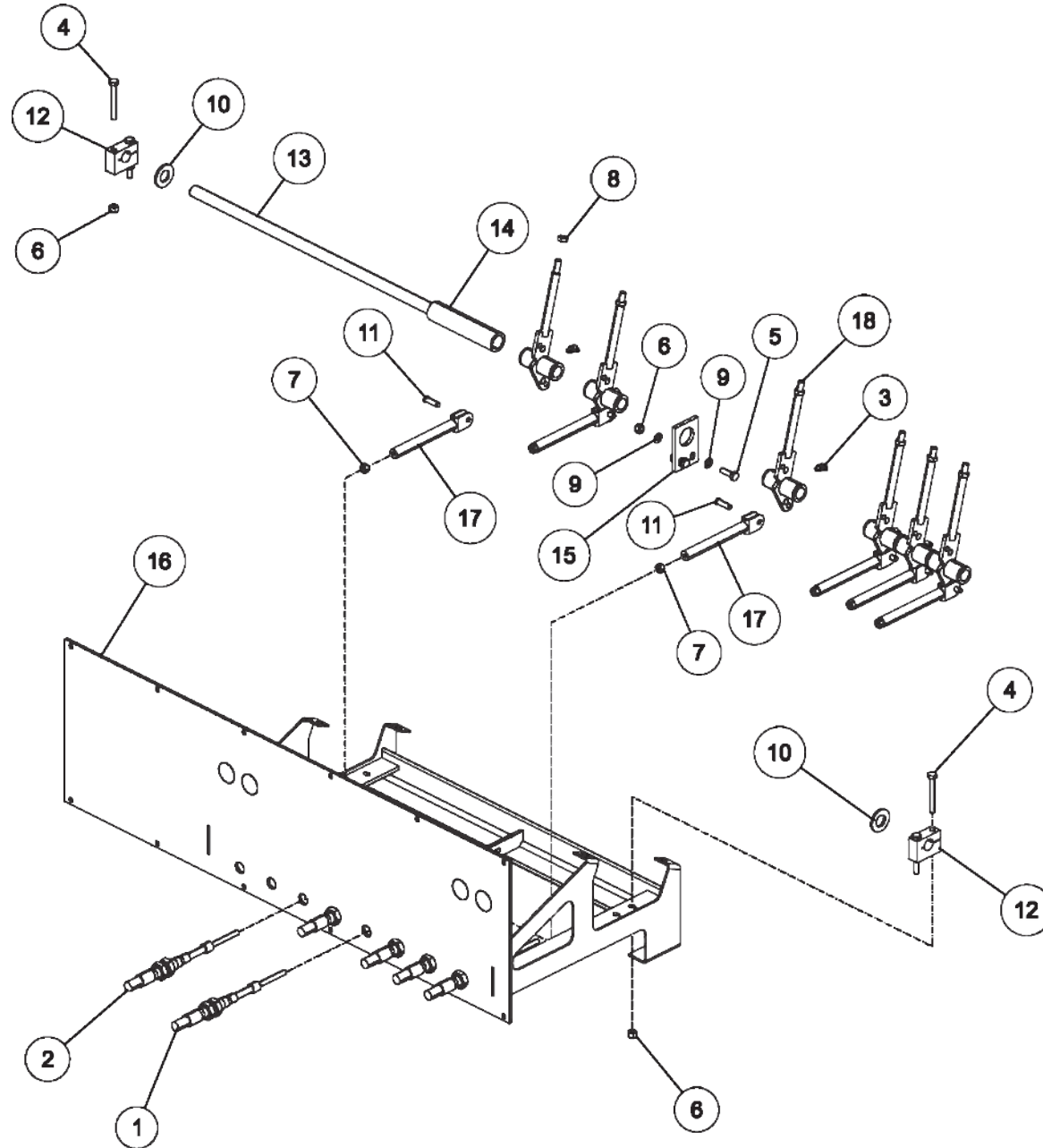
Section I - PARTS

0907893, CONTROL ASSEMBLY (9) HANDLES (cont'd)

| ITEM | PART NUMBER | DESCRIPTION                    | QTY |
|------|-------------|--------------------------------|-----|
|      | 0907893     | CONTROL ASSY 9 HANDLE 4024     |     |
| 1    | 0302453     | CABLE, CONTROL 92              | 6   |
| 2    | 0302455     | CABLE, CONTROL 79              | 3   |
| 3    | 0302726     | GREASE FITTING, 1/4-28 45      | 9   |
| 4    | 0400107     | SCREW, 5/16-18X2-1/2 HHC GR5   | 4   |
| 5    | 0400109     | SCREW, 5/16-18X1 HHC GR5       | 4   |
| 6    | 0400382     | NUT, 5/16-18 LOK               | 8   |
| 7    | 0400383     | NUT, 5/16-24 HEX               | 9   |
| 8    | 0400393     | NUT, 3/8-16 JAM                | 9   |
| 9    | 0400451     | WASHER, 1/4                    | 8   |
| 10   | 0400512     | WASHER, 3/4                    | 2   |
| 11   | 0400527     | PIN, 5/16X1X5/8 CLEVIS         | 9   |
| 12   | 0711235     | CLAMP, SHAFT CONTROL BOX       | 2   |
| 13   | 0717198     | PIN - CONTROL HANDLE (9)       | 1   |
| 14   | 0723378     | PLATE-PIN SUPPORT              | 2   |
| 15   | 08000748    | CONTROL FRAME 9 HANDLE         | 1   |
| 16   | 0810644     | CLEVIS WELD'T                  | 9   |
| 17   | 0907441     | CONTROL HANDLE ASSY - SHORT    | 9   |
| 18   | FC41        | FITTING-90DEG BLKHD ELB W/ NUT | 2   |

Section I - PARTS

0907894, CONTROL ASSEMBLY (6) HANDLES





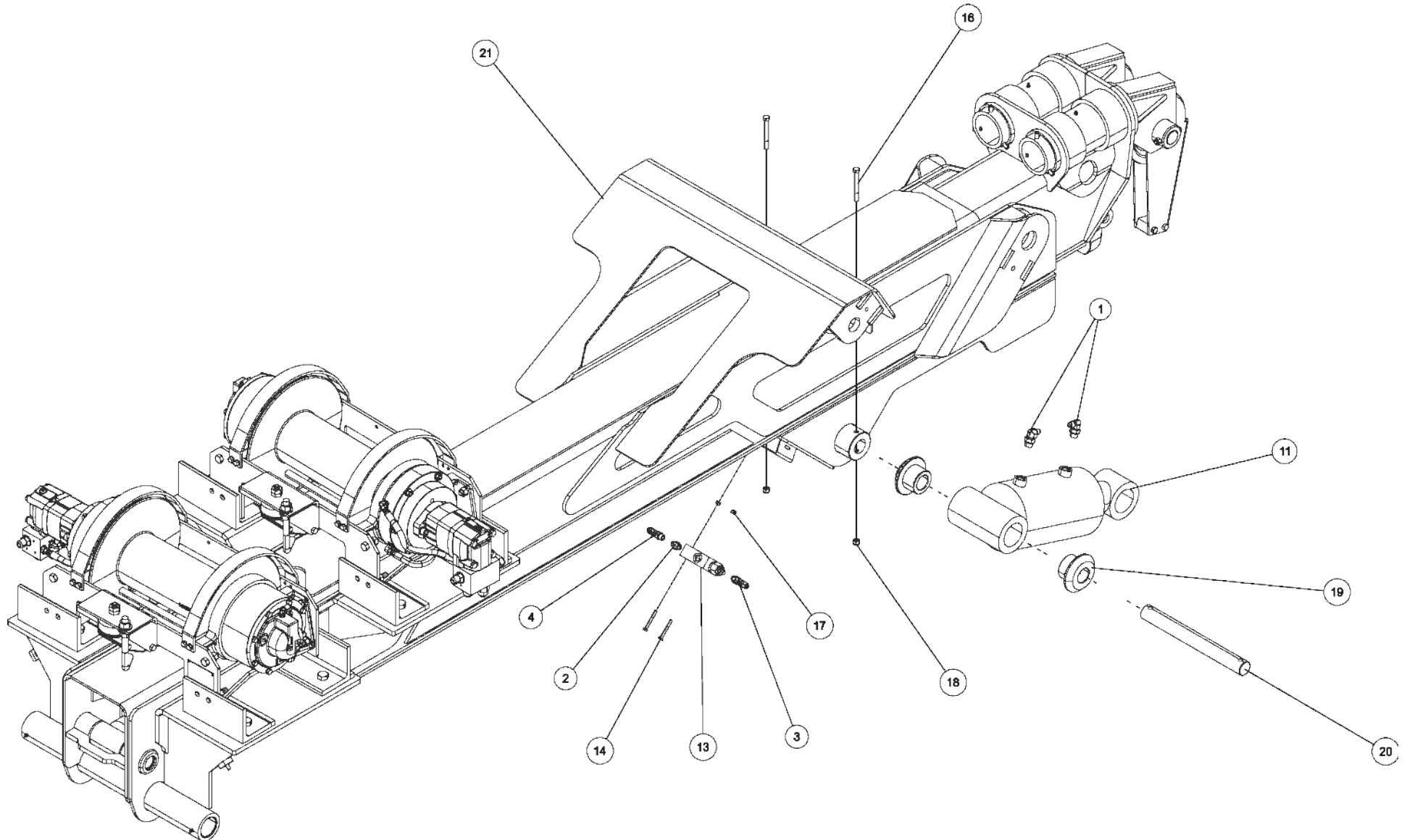
Section I - PARTS

0907894, CONTROL ASSEMBLY (6) HANDLES (cont'd)

| ITEM | PART NUMBER | DESCRIPTION                  | QTY |
|------|-------------|------------------------------|-----|
|      | 0907894     | CONTROL ASSY 6 HANDLE 2024   |     |
| 1    | 0302453     | CABLE, CONTROL 92            | 4   |
| 2    | 0302455     | CABLE, CONTROL 79            | 2   |
| 3    | 0302726     | GREASE FITTING, 1/4-28 45    | 6   |
| 4    | 0400107     | SCREW, 5/16-18X2-1/2 HHC GR5 | 4   |
| 5    | 0400109     | SCREW, 5/16-18X1 HHC GR5     | 2   |
| 6    | 0400382     | NUT, 5/16-18 LOK             | 6   |
| 7    | 0400383     | NUT, 5/16-24 HEX             | 6   |
| 8    | 0400393     | NUT, 3/8-16 JAM              | 6   |
| 9    | 0400451     | WASHER, 1/4                  | 4   |
| 10   | 0400512     | WASHER, 3/4                  | 2   |
| 11   | 0400527     | PIN, 5/16X1X5/8 CLEVIS       | 6   |
| 12   | 0711235     | CLAMP, SHAFT CONTROL BOX     | 2   |
| 13   | 0717203     | PIN - CONTROL HANDLE (6)     | 1   |
| 14   | 0717206     | TUBE - 1.25 OD SPACER        | 1   |
| 15   | 0723378     | PLATE-PIN SUPPORT            | 1   |
| 16   | 08000847    | CONTROL FRAME 6,7,8 HANDLE   | 1   |
| 17   | 0810644     | CLEVIS WELD'T                | 6   |
| 18   | 0907441     | CONTROL HANDLE ASSY - SHORT  | 6   |

# Section I - PARTS

## 0910769, BOOM INSTALL 4024 / T2 2009



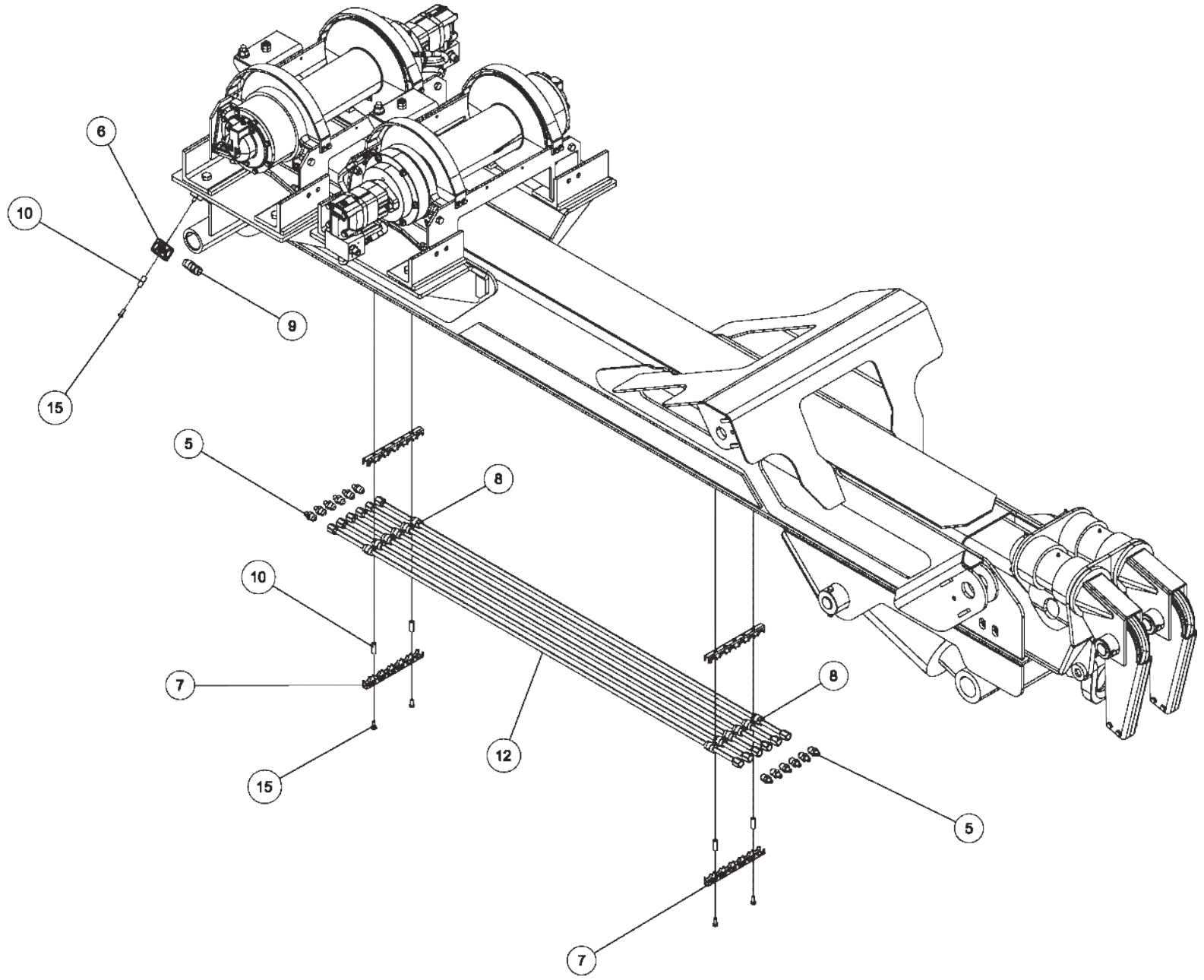
Section I - PARTS

0910769, BOOM INSTALL 4024 / T2 2009 (cont'd)

| ITEM | PART NUMBER | DESCRIPTION                    | QTY |
|------|-------------|--------------------------------|-----|
|      | 0910769     | BOOM INSTALL 4024/T2 2009      |     |
| 1    | 0301470     | FITTING, 90ELB 6MJ-8MB90       | 2   |
| 2    | 0301522     | ADAPTER, 6MJ-6MB               | 1   |
| 3    | 0301619     | FITT, 6MJ-6MJ-6MB BRANCH TEE   | 1   |
| 4    | 0301620     | FITTING, HYD. 6MJ - 6MB90      | 1   |
| 5    | 0302514     | ADAPTER 8MJ-6MJ                | 12  |
| 6    | 0302546     | CLAMPING UNIT C-PH-10-2        | 2   |
| 7    | 0302548     | CLAMPING UNIT(set) HC-10-6     | 4   |
| 8    | 0302549     | SPLIT BUSH.RUBBER C-SB10-8 1/2 | 12  |
| 9    | 0302550     | C-SB-10-12 3/4 SPLIT           | 4   |
| 10   | 0302551     | C-SN-10 SOCKET-HEAD            | 6   |
| 11   | 0302791     | CYL HYD                        | 1   |
| 12   | 0303108     | HYD TUBING                     | 6   |
| 13   | 0307107     | VALVE, HOLDING 4000 PSI SAE    | 1   |
| 14   | 0400078     | SCREW, 1/4-20X2 HHC GR5        | 2   |
| 15   | 0400118     | SCREW, 5/16-18X3/4 HHC GR5     | 6   |
| 16   | 0400130     | SCREW, 3/8-16X3-1/2 HHC GR5    | 2   |
| 17   | 0400367     | NUT, 1/4-20 LOK                | 2   |
| 18   | 0400392     | NUT, 3/8-16 LOK                | 2   |
| 19   | 0710140     | BUSHING, TILT CYL              | 2   |
| 20   | 0710143     | PIN, TILT CYL BASE             | 1   |
| 21   | 0910770     | BOOM ASSY 4024/T2 2009         | 1   |

Section I - PARTS

00910769, BOOM INSTALL 4024 / T2 2009 (cont'd)



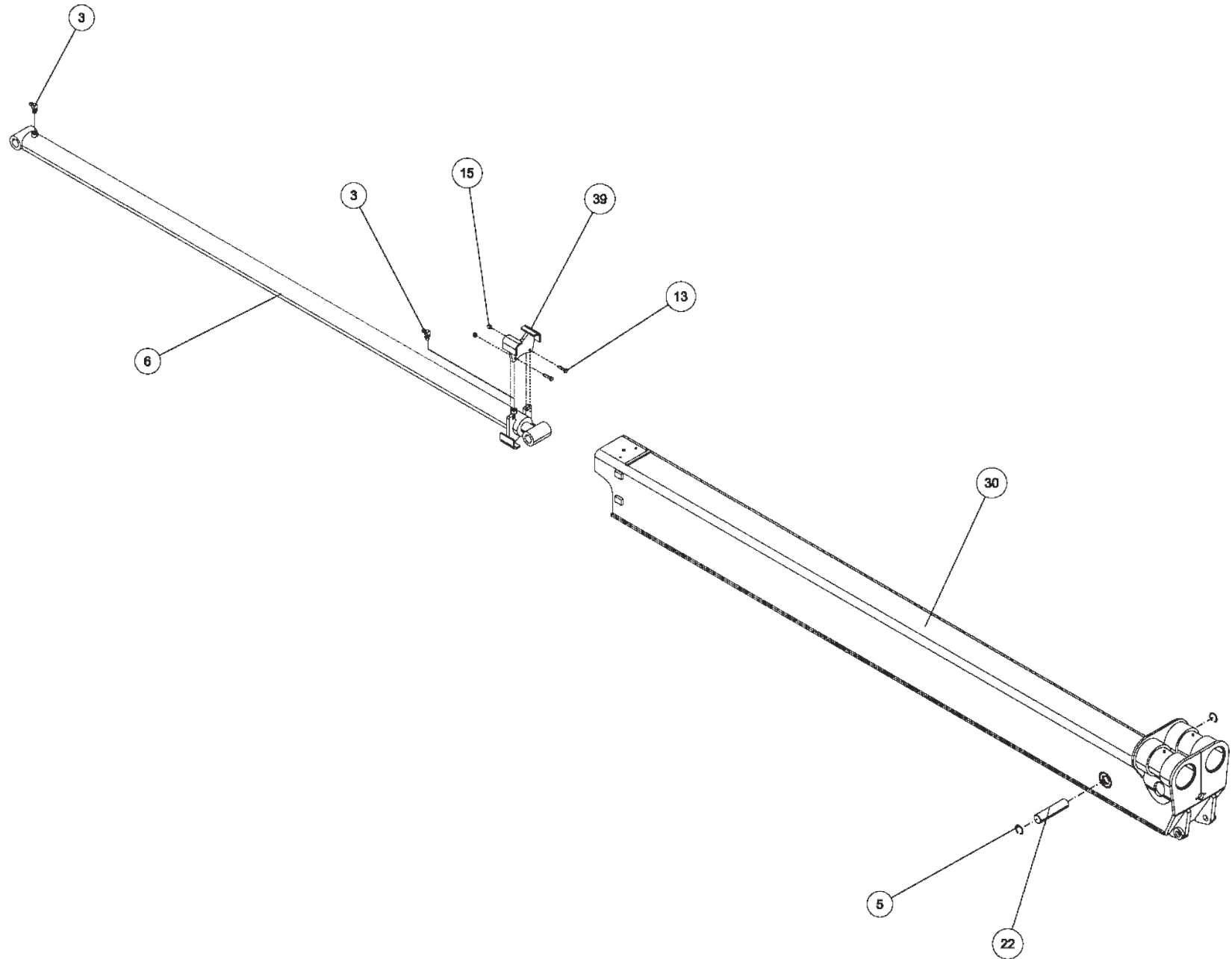
Section I - PARTS

0910769, BOOM INSTALL 4024 / T2 2009 (cont'd)

| ITEM | PART NUMBER | DESCRIPTION                    | QTY |
|------|-------------|--------------------------------|-----|
|      | 0910769     | BOOM INSTALL 4024/T2 2009      |     |
| 1    | 0301470     | FITTING, 90ELB 6MJ-8MB90       | 2   |
| 2    | 0301522     | ADAPTER, 6MJ-6MB               | 1   |
| 3    | 0301619     | FITT, 6MJ-6MJ-6MB BRANCH TEE   | 1   |
| 4    | 0301620     | FITTING, HYD. 6MJ - 6MB90      | 1   |
| 5    | 0302514     | ADAPTER 8MJ-6MJ                | 12  |
| 6    | 0302546     | CLAMPING UNIT C-PH-10-2        | 2   |
| 7    | 0302548     | CLAMPING UNIT(set) HC-10-6     | 4   |
| 8    | 0302549     | SPLIT BUSH.RUBBER C-SB10-8 1/2 | 12  |
| 9    | 0302550     | C-SB-10-12 3/4 SPLIT           | 4   |
| 10   | 0302551     | C-SN-10 SOCKET-HEAD            | 6   |
| 11   | 0302791     | CYL HYD                        | 1   |
| 12   | 0303108     | HYD TUBING                     | 6   |
| 13   | 0307107     | VALVE, HOLDING 4000 PSI SAE    | 1   |
| 14   | 0400078     | SCREW, 1/4-20X2 HHC GR5        | 2   |
| 15   | 0400118     | SCREW, 5/16-18X3/4 HHC GR5     | 6   |
| 16   | 0400130     | SCREW, 3/8-16X3-1/2 HHC GR5    | 2   |
| 17   | 0400367     | NUT, 1/4-20 LOK                | 2   |
| 18   | 0400392     | NUT, 3/8-16 LOK                | 2   |
| 19   | 0710140     | BUSHING, TILT CYL              | 2   |
| 20   | 0710143     | PIN, TILT CYL BASE             | 1   |
| 21   | 0910770     | BOOM ASSY 4024/T2 2009         | 1   |

Section I - PARTS

0910770, BOOM ASSEMBLY 4024 / T2 2009



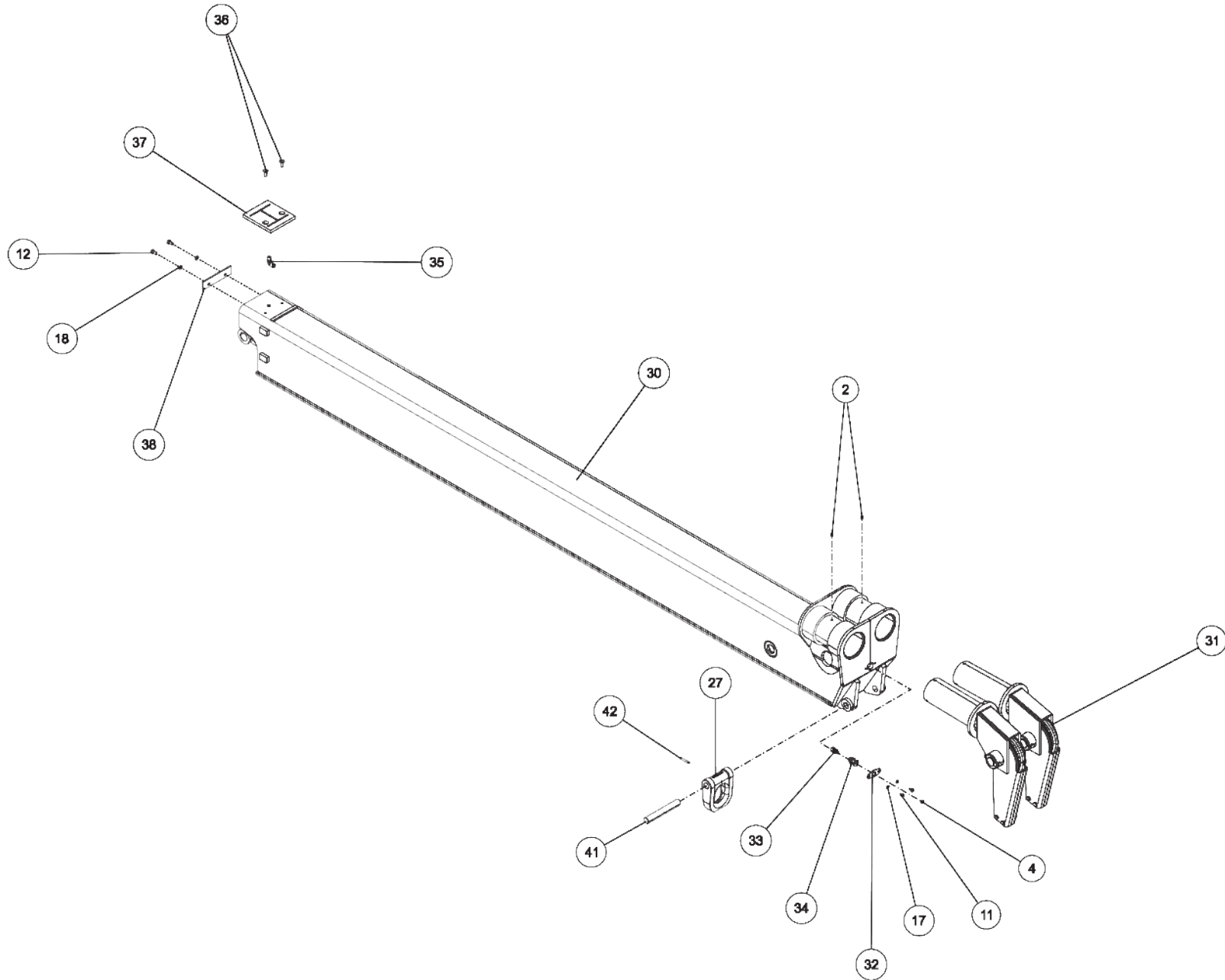
## Section I - PARTS

### 0910770, BOOM ASSEMBLY 4024 / T2 2009 (cont'd)

| ITEM | PART NUMBER | DESCRIPTION                    | QTY |
|------|-------------|--------------------------------|-----|
|      | 0910770     | BOOM ASSY 4024/T2              |     |
| 1    | 0300041     | CONNECTOR, 8MJ-8MB             | 4   |
| 2    | 0300113     | GREASE FITTING, 1/4-28 STR     | 4   |
| 3    | 0301620     | FITTING, HYD. 6MJ - 6MB90      | 2   |
| 4    | 0301895     | GREASE FITTING, 1/8 STR PTF    | 1   |
| 5    | 0301959     | SNAP RING-INTERNAL 1-1/2       | 4   |
| 6    | 0302614     | CYL HYD BOOM EXT               | 1   |
| 7    | 0302619     | 2.25ODX2IDX1.5 SPRG            | 2   |
| 8    | 0303374     | WINCH - dp 20K                 | 2   |
| 9    | 0303490     | PAD-WEAR 1/2" X 1" X 4"        | 2   |
| 10   | 0311575     | 1/4x1/4 PTC SWIVEL MALE ELBOW  | 2   |
| 11   | 0400060     | SCREW, 1/4-20X1/2 HHC GR5      | 2   |
| 12   | 0400121     | SCREW, 3/8-16X3/4 HHC GR5      | 2   |
| 13   | 0400132     | SCREW, 3/8-16X1-1/2 HHC GR5    | 2   |
| 14   | 0400274     | SCREW, 5/8-11X2 HHC GR8        | 16  |
| 15   | 0400392     | NUT, 3/8-16 LOK                | 2   |
| 16   | 0400426     | NUT, 5/8-11 LOK GR8            | 16  |
| 17   | 0400452     | LKWASHER, 1/4                  | 2   |
| 18   | 0400482     | LKWASHER, 3/8                  | 2   |
| 19   | 0400503     | WASHER, 5/8 GR8                | 16  |
| 20   | 0400990     | SET SCREW, 1/2-13X1/2 SOC      | 4   |
| 21   | 0707343     | PIN, EXT CYL                   | 1   |
| 22   | 0707580     | PIN, SPADE CYL ROD CH-50       | 1   |
| 23   | 0711395     | ANGLE, WINCH MTG               | 2   |
| 24   | 0711396     | ANGLE, WINCH MTG               | 2   |
| 25   | 0711397     | ANGLE, WINCH MTG               | 2   |
| 26   | 0711398     | ANGLE, WINCH MTG               | 2   |
| 27   | 0712380     | D-RING                         | 1   |
| 28   | 0713131     | BLOCK, SHEAR                   | 8   |
| 29   | 0807830     | BOOM OUTER WLDMT 4024/T2 2009  | 1   |
| 30   | 0807831     | INNER BOOM WLDMT               | 1   |
| 31   | 0906530     | SWIVEL - BOOM ASSEMBLY         | 2   |
| 32   | 3012-793001 | PLATE - LUBE MTG.              | 1   |
| 33   | 9012549     | CONNECTOR-MALE 3/8TUBEX1       | 1   |
| 34   | 9012552     | BULKHEAD ADAPTER 1/8M-1/8F NPT | 1   |
| 35   | 9012584     | ELBOW-1/4NPT X 3/8TUBE 9       | 1   |
| 36   | 9044434     | 3/8-16X1 NC FLAT SOCKET HD CAP | 2   |
| 37   | 915030004   | WEAR PAD (UPPER)               | 1   |
| 38   | 915040001   | PAD RETAINING PLATE            | 1   |
| 39   | 915040400   | SPIDER CLAMP WLDMT, TOP        | 1   |
| 40   | 916040004   | WEAR PAD - LOWER               | 1   |
| 41   | BA0259      | PIN - "D" RING                 | 1   |
| 42   | HD0106      | SPRING PIN 1/4x1.75" LONG-ZINC | 1   |

Section I - PARTS

0910770, BOOM ASSEMBLY 4024 / T2 2009 (cont'd)





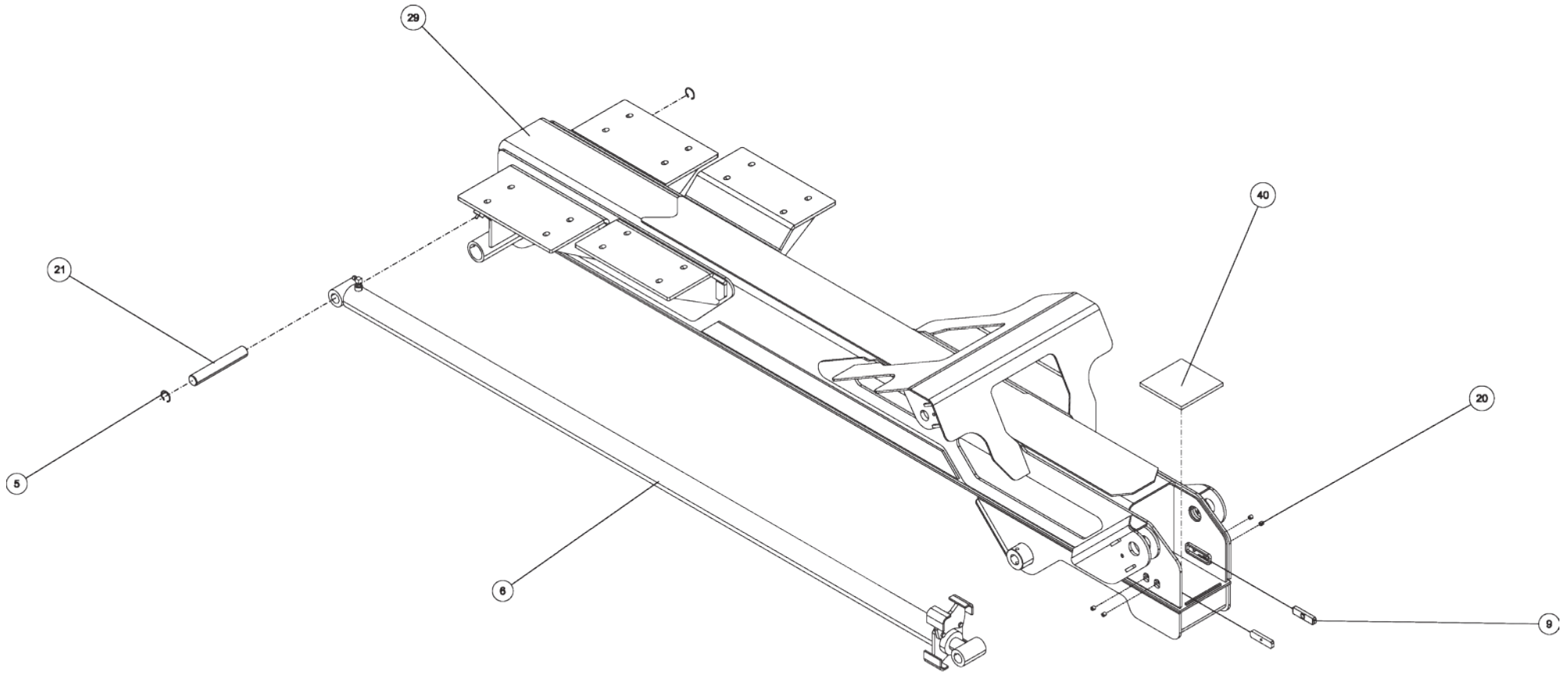
Section I - PARTS

0910770, BOOM ASSEMBLY 4024 / T2 2009 (cont'd)

| ITEM | PART NUMBER | DESCRIPTION                    | QTY |
|------|-------------|--------------------------------|-----|
|      | 0910770     | BOOM ASSY 4024/T2              |     |
| 1    | 0300041     | CONNECTOR, 8MJ-8MB             | 4   |
| 2    | 0300113     | GREASE FITTING, 1/4-28 STR     | 4   |
| 3    | 0301620     | FITTING, HYD. 6MJ - 6MB90      | 2   |
| 4    | 0301895     | GREASE FITTING, 1/8 STR PTF    | 1   |
| 5    | 0301959     | SNAP RING-INTERNAL 1-1/2       | 4   |
| 6    | 0302614     | CYL HYD BOOM EXT               | 1   |
| 7    | 0302619     | 2.25ODX2IDX1.5 SPRG            | 2   |
| 8    | 0303374     | WINCH - dp 20K                 | 2   |
| 9    | 0303490     | PAD-WEAR 1/2" X 1" X 4"        | 2   |
| 10   | 0311575     | 1/4x1/4 PTC SWIVEL MALE ELBOW  | 2   |
| 11   | 0400060     | SCREW, 1/4-20X1/2 HHC GR5      | 2   |
| 12   | 0400121     | SCREW, 3/8-16X3/4 HHC GR5      | 2   |
| 13   | 0400132     | SCREW, 3/8-16X1-1/2 HHC GR5    | 2   |
| 14   | 0400274     | SCREW, 5/8-11X2 HHC GR8        | 16  |
| 15   | 0400392     | NUT, 3/8-16 LOK                | 2   |
| 16   | 0400426     | NUT, 5/8-11 LOK GR8            | 16  |
| 17   | 0400452     | LKWASHER, 1/4                  | 2   |
| 18   | 0400482     | LKWASHER, 3/8                  | 2   |
| 19   | 0400503     | WASHER, 5/8 GR8                | 16  |
| 20   | 0400990     | SET SCREW, 1/2-13X1/2 SOC      | 4   |
| 21   | 0707343     | PIN, EXT CYL                   | 1   |
| 22   | 0707580     | PIN, SPADE CYL ROD CH-50       | 1   |
| 23   | 0711395     | ANGLE, WINCH MTG               | 2   |
| 24   | 0711396     | ANGLE, WINCH MTG               | 2   |
| 25   | 0711397     | ANGLE, WINCH MTG               | 2   |
| 26   | 0711398     | ANGLE, WINCH MTG               | 2   |
| 27   | 0712380     | D-RING                         | 1   |
| 28   | 0713131     | BLOCK, SHEAR                   | 8   |
| 29   | 0807830     | BOOM OUTER WLDMT 4024/T2 2009  | 1   |
| 30   | 0807831     | INNER BOOM WLDMT               | 1   |
| 31   | 0906530     | SWIVEL - BOOM ASSEMBLY         | 2   |
| 32   | 3012-793001 | PLATE - LUBE MTG.              | 1   |
| 33   | 9012549     | CONNECTOR-MALE 3/8TUBEX1       | 1   |
| 34   | 9012552     | BULKHEAD ADAPTER 1/8M-1/8F NPT | 1   |
| 35   | 9012584     | ELBOW-1/4NPT X 3/8TUBE 9       | 1   |
| 36   | 9044434     | 3/8-16X1 NC FLAT SOCKET HD CAP | 2   |
| 37   | 915030004   | WEAR PAD (UPPER)               | 1   |
| 38   | 915040001   | PAD RETAINING PLATE            | 1   |
| 39   | 915040400   | SPIDER CLAMP WLDMT, TOP        | 1   |
| 40   | 916040004   | WEAR PAD - LOWER               | 1   |
| 41   | BA0259      | PIN - "D" RING                 | 1   |
| 42   | HD0106      | SPRING PIN 1/4x1.75" LONG-ZINC | 1   |

Section I - PARTS

0910770, BOOM ASSEMBLY 4024 / T2 2009 (cont'd)



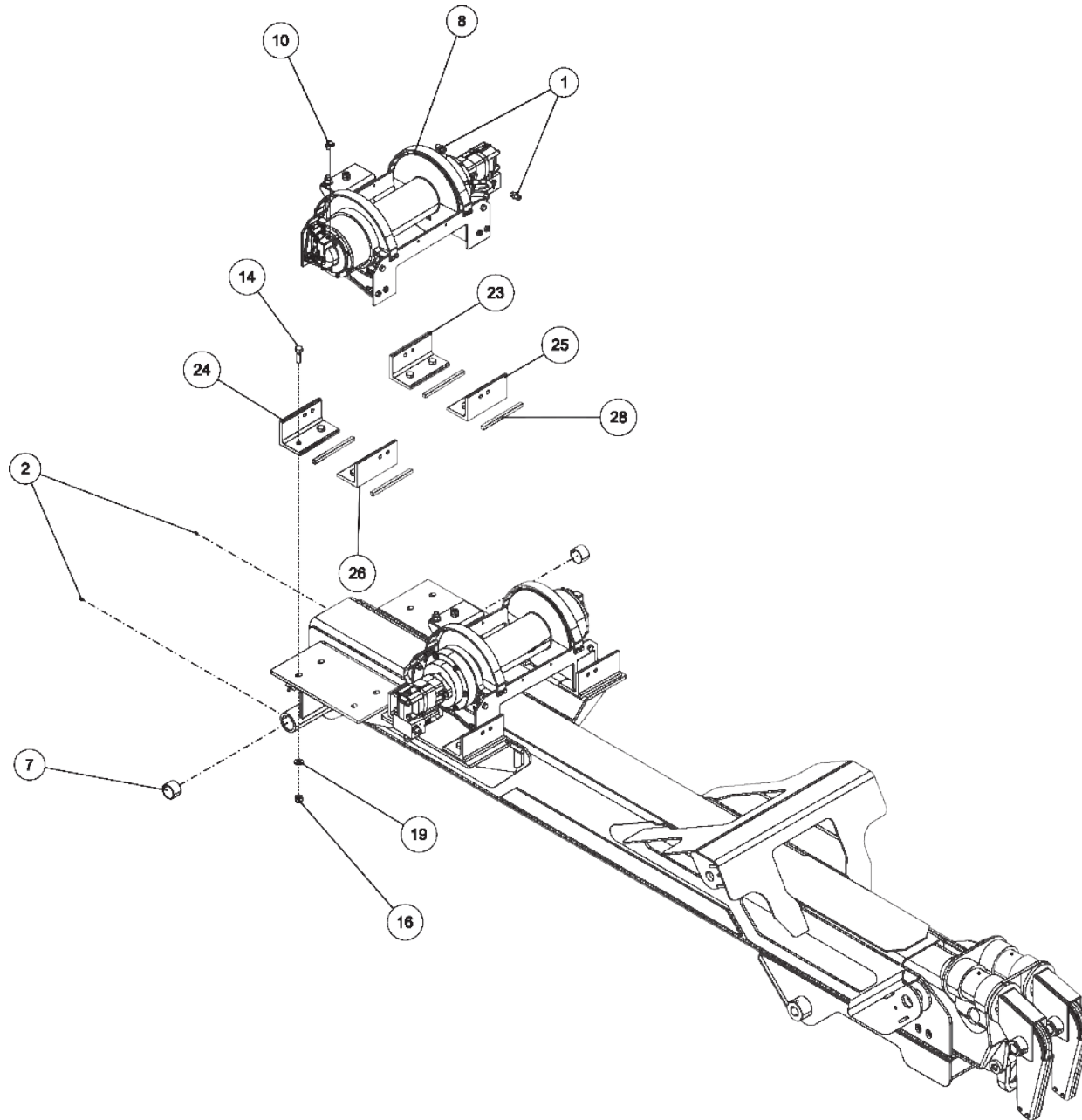
Section I - PARTS

0910770, BOOM ASSEMBLY 4024 / T2 2009 (cont'd)

| ITEM | PART NUMBER | DESCRIPTION                    | QTY |
|------|-------------|--------------------------------|-----|
|      | 0910770     | BOOM ASSY 4024/T2              |     |
| 1    | 0300041     | CONNECTOR, 8MJ-8MB             | 4   |
| 2    | 0300113     | GREASE FITTING, 1/4-28 STR     | 4   |
| 3    | 0301620     | FITTING, HYD. 6MJ - 6MB90      | 2   |
| 4    | 0301895     | GREASE FITTING, 1/8 STR PTF    | 1   |
| 5    | 0301959     | SNAP RING-INTERNAL 1-1/2       | 4   |
| 6    | 0302614     | CYL HYD BOOM EXT               | 1   |
| 7    | 0302619     | 2.25ODX2IDX1.5 SPRG            | 2   |
| 8    | 0303374     | WINCH - dp 20K                 | 2   |
| 9    | 0303490     | PAD-WEAR 1/2" X 1" X 4"        | 2   |
| 10   | 0311575     | 1/4x1/4 PTC SWIVEL MALE ELBOW  | 2   |
| 11   | 0400060     | SCREW, 1/4-20X1/2 HHC GR5      | 2   |
| 12   | 0400121     | SCREW, 3/8-16X3/4 HHC GR5      | 2   |
| 13   | 0400132     | SCREW, 3/8-16X1-1/2 HHC GR5    | 2   |
| 14   | 0400274     | SCREW, 5/8-11X2 HHC GR8        | 16  |
| 15   | 0400392     | NUT, 3/8-16 LOK                | 2   |
| 16   | 0400426     | NUT, 5/8-11 LOK GR8            | 16  |
| 17   | 0400452     | LKWASHER, 1/4                  | 2   |
| 18   | 0400482     | LKWASHER, 3/8                  | 2   |
| 19   | 0400503     | WASHER, 5/8 GR8                | 16  |
| 20   | 0400990     | SET SCREW, 1/2-13X1/2 SOC      | 4   |
| 21   | 0707343     | PIN, EXT CYL                   | 1   |
| 22   | 0707580     | PIN, SPADE CYL ROD CH-50       | 1   |
| 23   | 0711395     | ANGLE, WINCH MTG               | 2   |
| 24   | 0711396     | ANGLE, WINCH MTG               | 2   |
| 25   | 0711397     | ANGLE, WINCH MTG               | 2   |
| 26   | 0711398     | ANGLE, WINCH MTG               | 2   |
| 27   | 0712380     | D-RING                         | 1   |
| 28   | 0713131     | BLOCK, SHEAR                   | 8   |
| 29   | 0807830     | BOOM OUTER WLDMT 4024/T2 2009  | 1   |
| 30   | 0807831     | INNER BOOM WLDMT               | 1   |
| 31   | 0906530     | SWIVEL - BOOM ASSEMBLY         | 2   |
| 32   | 3012-793001 | PLATE - LUBE MTG.              | 1   |
| 33   | 9012549     | CONNECTOR-MALE 3/8TUBEX1       | 1   |
| 34   | 9012552     | BULKHEAD ADAPTER 1/8M-1/8F NPT | 1   |
| 35   | 9012584     | ELBOW-1/4NPT X 3/8TUBE 9       | 1   |
| 36   | 9044434     | 3/8-16X1 NC FLAT SOCKET HD CAP | 2   |
| 37   | 915030004   | WEAR PAD (UPPER)               | 1   |
| 38   | 915040001   | PAD RETAINING PLATE            | 1   |
| 39   | 915040400   | SPIDER CLAMP WLDMT, TOP        | 1   |
| 40   | 916040004   | WEAR PAD - LOWER               | 1   |
| 41   | BA0259      | PIN - "D" RING                 | 1   |
| 42   | HD0106      | SPRING PIN 1/4x1.75" LONG-ZINC | 1   |

Section I - PARTS

0910770, BOOM ASSEMBLY 4024 / T2 2009 (cont'd)



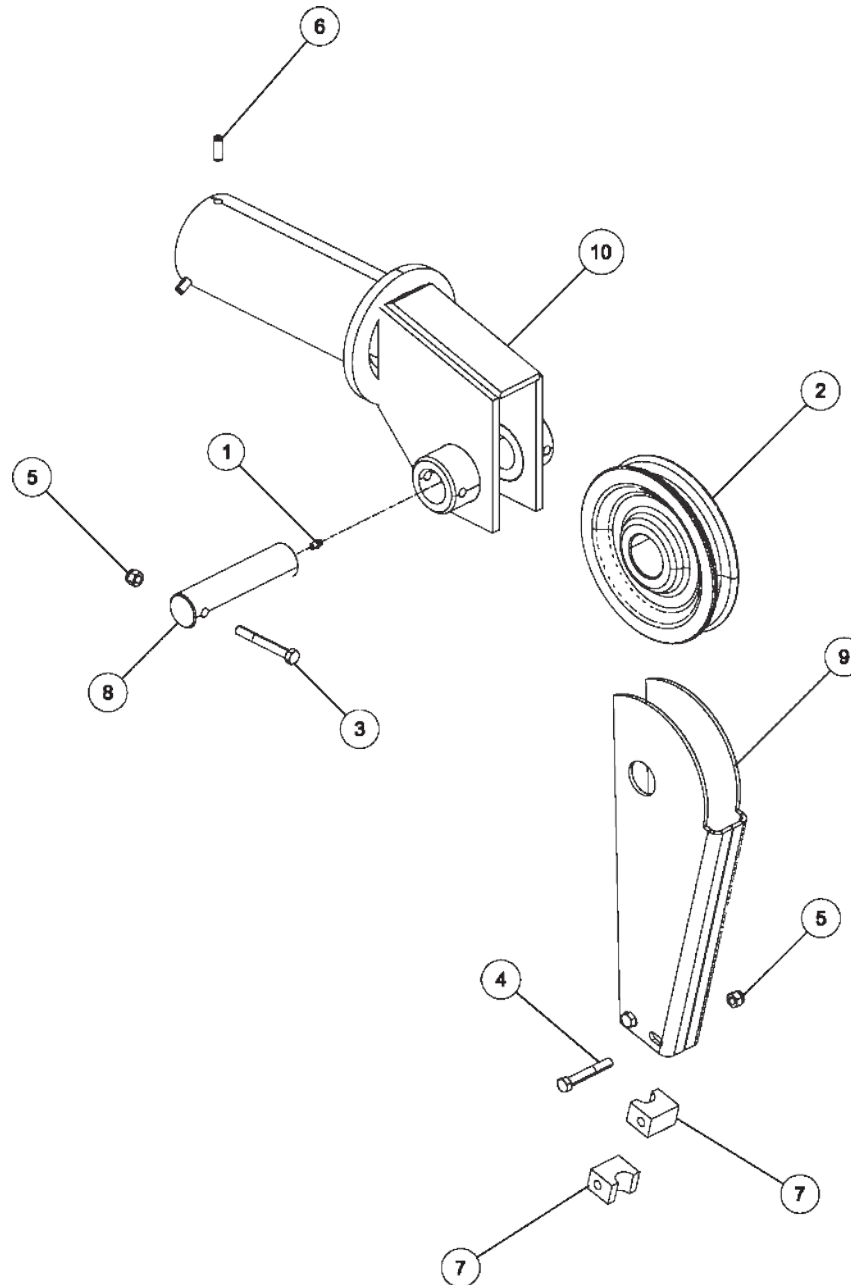
Section I - PARTS

0910770, BOOM ASSEMBLY 4024 / T2 2009 (cont'd)

| ITEM | PART NUMBER | DESCRIPTION                    | QTY |
|------|-------------|--------------------------------|-----|
|      | 0910770     | BOOM ASSY 4024/T2              |     |
| 1    | 0300041     | CONNECTOR, 8MJ-8MB             | 4   |
| 2    | 0300113     | GREASE FITTING, 1/4-28 STR     | 4   |
| 3    | 0301620     | FITTING, HYD. 6MJ - 6MB90      | 2   |
| 4    | 0301895     | GREASE FITTING, 1/8 STR PTF    | 1   |
| 5    | 0301959     | SNAP RING-INTERNAL 1-1/2       | 4   |
| 6    | 0302614     | CYL HYD BOOM EXT               | 1   |
| 7    | 0302619     | 2.25ODX2IDX1.5 SPRG            | 2   |
| 8    | 0303374     | WINCH - dp 20K                 | 2   |
| 9    | 0303490     | PAD-WEAR 1/2" X 1" X 4"        | 2   |
| 10   | 0311575     | 1/4x1/4 PTC SWIVEL MALE ELBOW  | 2   |
| 11   | 0400060     | SCREW, 1/4-20X1/2 HHC GR5      | 2   |
| 12   | 0400121     | SCREW, 3/8-16X3/4 HHC GR5      | 2   |
| 13   | 0400132     | SCREW, 3/8-16X1-1/2 HHC GR5    | 2   |
| 14   | 0400274     | SCREW, 5/8-11X2 HHC GR8        | 16  |
| 15   | 0400392     | NUT, 3/8-16 LOK                | 2   |
| 16   | 0400426     | NUT, 5/8-11 LOK GR8            | 16  |
| 17   | 0400452     | LKWASHER, 1/4                  | 2   |
| 18   | 0400482     | LKWASHER, 3/8                  | 2   |
| 19   | 0400503     | WASHER, 5/8 GR8                | 16  |
| 20   | 0400990     | SET SCREW, 1/2-13X1/2 SOC      | 4   |
| 21   | 0707343     | PIN, EXT CYL                   | 1   |
| 22   | 0707580     | PIN, SPADE CYL ROD CH-50       | 1   |
| 23   | 0711395     | ANGLE, WINCH MTG               | 2   |
| 24   | 0711396     | ANGLE, WINCH MTG               | 2   |
| 25   | 0711397     | ANGLE, WINCH MTG               | 2   |
| 26   | 0711398     | ANGLE, WINCH MTG               | 2   |
| 27   | 0712380     | D-RING                         | 1   |
| 28   | 0713131     | BLOCK, SHEAR                   | 8   |
| 29   | 0807830     | BOOM OUTER WLDMT 4024/T2 2009  | 1   |
| 30   | 0807831     | INNER BOOM WLDMT               | 1   |
| 31   | 0906530     | SWIVEL - BOOM ASSEMBLY         | 2   |
| 32   | 3012-793001 | PLATE - LUBE MTG.              | 1   |
| 33   | 9012549     | CONNECTOR-MALE 3/8TUBEX1       | 1   |
| 34   | 9012552     | BULKHEAD ADAPTER 1/8M-1/8F NPT | 1   |
| 35   | 9012584     | ELBOW-1/4NPT X 3/8TUBE 9       | 1   |
| 36   | 9044434     | 3/8-16X1 NC FLAT SOCKET HD CAP | 2   |
| 37   | 915030004   | WEAR PAD (UPPER)               | 1   |
| 38   | 915040001   | PAD RETAINING PLATE            | 1   |
| 39   | 915040400   | SPIDER CLAMP WLDMT, TOP        | 1   |
| 40   | 916040004   | WEAR PAD - LOWER               | 1   |
| 41   | BA0259      | PIN - "D" RING                 | 1   |
| 42   | HD0106      | SPRING PIN 1/4x1.75" LONG-ZINC | 1   |

Section I - PARTS

0906530, BOOM SWIVEL ASSEMBLY



**Section I - PARTS**

**0906530, BOOM SWIVEL ASSEMBLY (cont'd)**

| ITEM | PART NUMBER | DESCRIPTION                    | QTY |
|------|-------------|--------------------------------|-----|
|      | 0906530     | SWIVEL - BOOM ASSEMBLY         |     |
| 1    | 0300113     | GREASE FITTING, 1/4-28 STR     | 1   |
| 2    | 0300626     | SHEAVE, 8" 58SHVBBAY 1.5       | 1   |
| 3    | 0400133     | SCREW, 3/8-16X3 HHC GR5        | 1   |
| 4    | 0400150     | SCREW, 3/8-16X2-1/2 HHC GR5    | 2   |
| 5    | 0400392     | NUT, 3/8-16 LOK                | 3   |
| 6    | 0400554     | PIN, 3/8X1 SPR                 | 3   |
| 7    | 0700801     | GUIDE, BTM CABLE               | 2   |
| 8    | 0716134     | SHEAVE SHAFT                   | 1   |
| 9    | 0800286     | GUIDE-CABLE                    | 1   |
| 10   | 0804448     | BOOM END SWIVEL WLDT-FIII/4024 | 1   |









**CENTURY®**

Miller Industries Towing Equipment Inc.  
8503 Hilltop Drive • Ooltewah, Tennessee 37363  
(423) 238-4171 • [www.millerind.com](http://www.millerind.com)