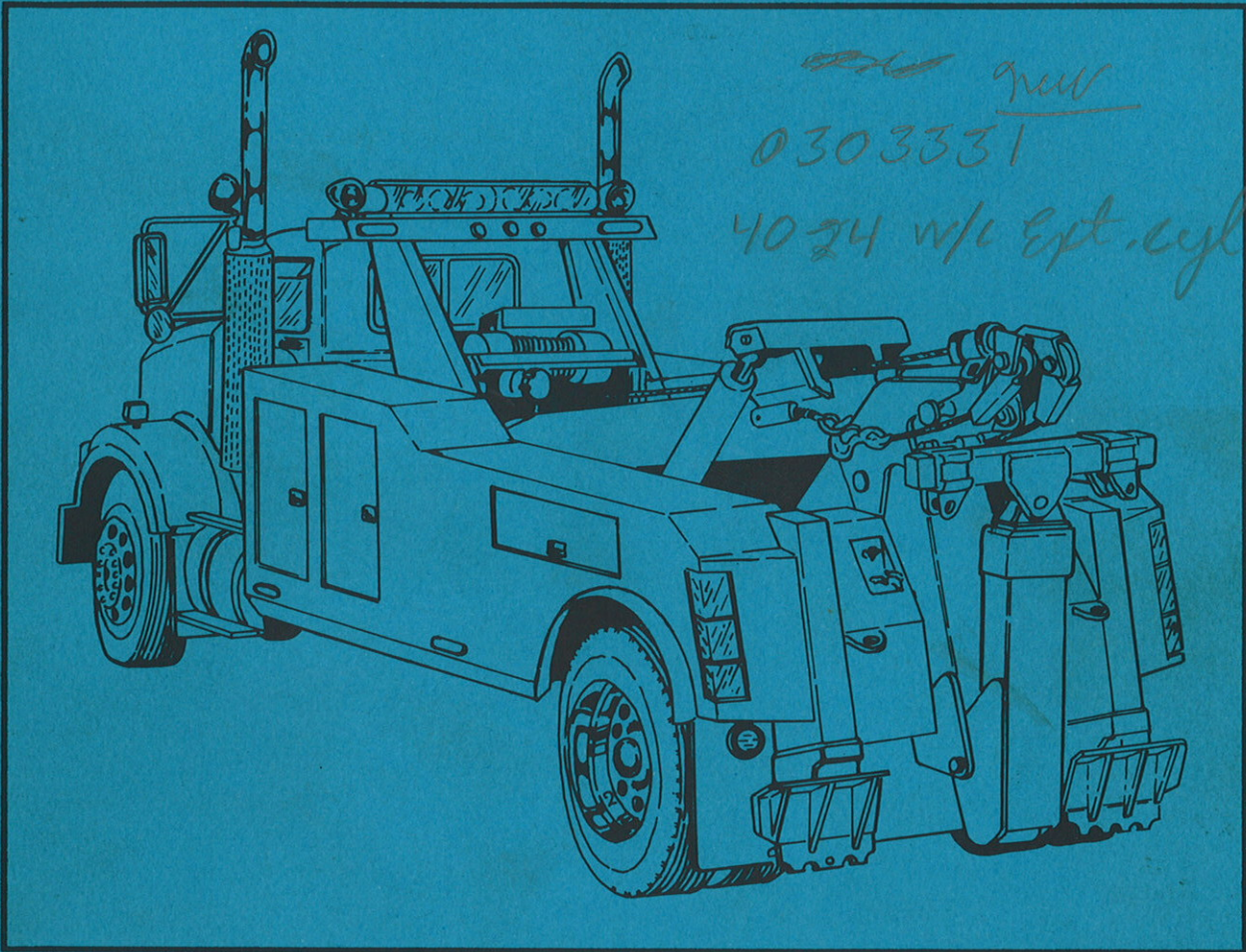


JW

# CENTURY®



## OWNER'S MANUAL

# 3224

CENTURY® WRECKER  
CORPORATION

Installation, Operation,  
Maintenance & Parts

**NOTE:** MANUAL, including SPECIFICATIONS, subject to change without notice. All ratings specified are based on structural factors only, not vehicle capacities or capabilities.

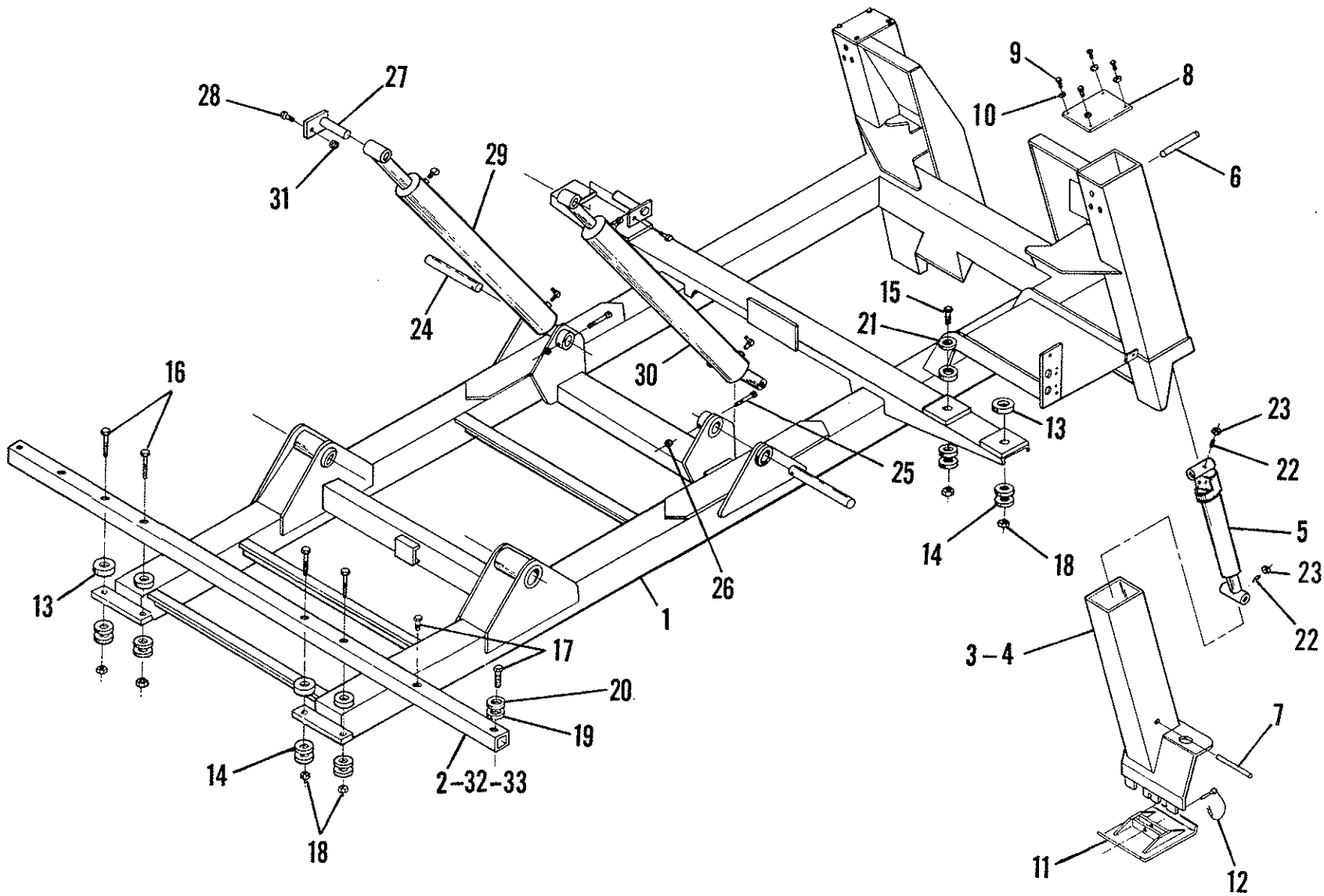
I-75 at Ooltewah Exit #11 • 8503 Hilltop Drive • Ooltewah, Tennessee 37363 • (615) 238-4171  
Mailing Address: P.O. Box 120 • Ooltewah, Tennessee 37363 • FAX (615) 238-5371  
FORM NO. 0500603  
PRICE \$15.00



## Section VII-PARTS BOOM ASSEMBLY

REF. NO.	NO. REQ'D	PART NUMBER	DESCRIPTION
1	1	0802239	OUTER BOOM
2	1	0802238	INNER BOOM
3	REF.	0302614	CYLINDER, BOOM EXTEND
4	1	0707342	PIN, BOOM PIVOT
5	1	0707344	PIN, EXTEND CYLINDER
6	4	0301959	SNAP RING, INTERNAL
7	1	0800509	SWIVEL WELDMENT-LEFT HAND
8	1	0800510	SWIVEL WELDMENT-RIGHT HAND
9	2	0700888	SHAFT-SHEAVE
10	4	0300113	GREASE FITTING
11	2	0400133	BOLT, 3/8"-16
12	16	0400392	NUT, 3/8"-16
13	2	0300626	SHEAVE, 8"
14	2	0800286	CABLE GUIDE
15	4	0400150	BOLT, 3/8"-16
16	4	0700801	CABLE GUIDE, BOTTOM
17	1	0707300	TILT SHAFT
18	2	0707340	TILT SHAFT COLLAR
19	2	0707124	TILT SHAFT RETAINER
20	2	0302628	SLIDE PAD
21	2	0700778	TOP SPACER, OUTER BOOM
22	4	0400506	WASHER, 5/8" X 1-3/4" ZP
23	4	0400508	WASHER, 5/8", HELICAL ZP
24	4	0302619	BUSHING
25	2	0302538	BUSHING, 3.5" O.D. X 3" ID X 2.5"
26	4	0400248	SCREW, 5/8-11 X 1" H.H.C.S. GR #8 ZP
27	4	0400121	SCREW, 3/8-16 X 3/4" H.H.C.S. ZINC PLATED
28	8	0400482	WASHER, 3/8" HELICAL
29	4	0400229	SET SCREW, 5/16-18 NC X 3/4" SOC. HD.
30	2	0301691	OBLONG LINK
31	2	0302273	SPRING
32	2	0400205	SCREW
33	6	0400408	NUT, 1/2-13 NYLOK, ZP
34	6	0400554	ROLL-PIN
35	4	0302378	SPRING
36	8	0400132	SCREW, HEX. HD. 3/8"-16 X 1" GR5, ZP
37	8	0400492	WASHER
38	4	0400543	COTTER PIN, 1/8" X 3/4" STAINLESS STEEL
39	2	0707273	PIVOT ROD
40	2	0707347	SPRING CHANNEL
41	2	0802247	BRACKET
42	4	0802218	SPRING PIN
43	2	0802248	MOUNTING BRACKETS
44	1	0707343	PIN
45	2	0301923	SLIDE PAD, BOTTOM
46	4	0400122	SCREW, 3/8"-16 X 1 1/4" H.H.C., GD 5, ZP
47	1	0802246	CYLINDER SUPPORT
48	2	0703442	SKID
49	1	0400581	U-BOLT
50	4	0400451	WASHER
51	4	0400066	SCREW

# Section VI-PARTS-WRECKER SUB-FRAME



## Section VII - PARTS-WRECKER SUB-FRAME

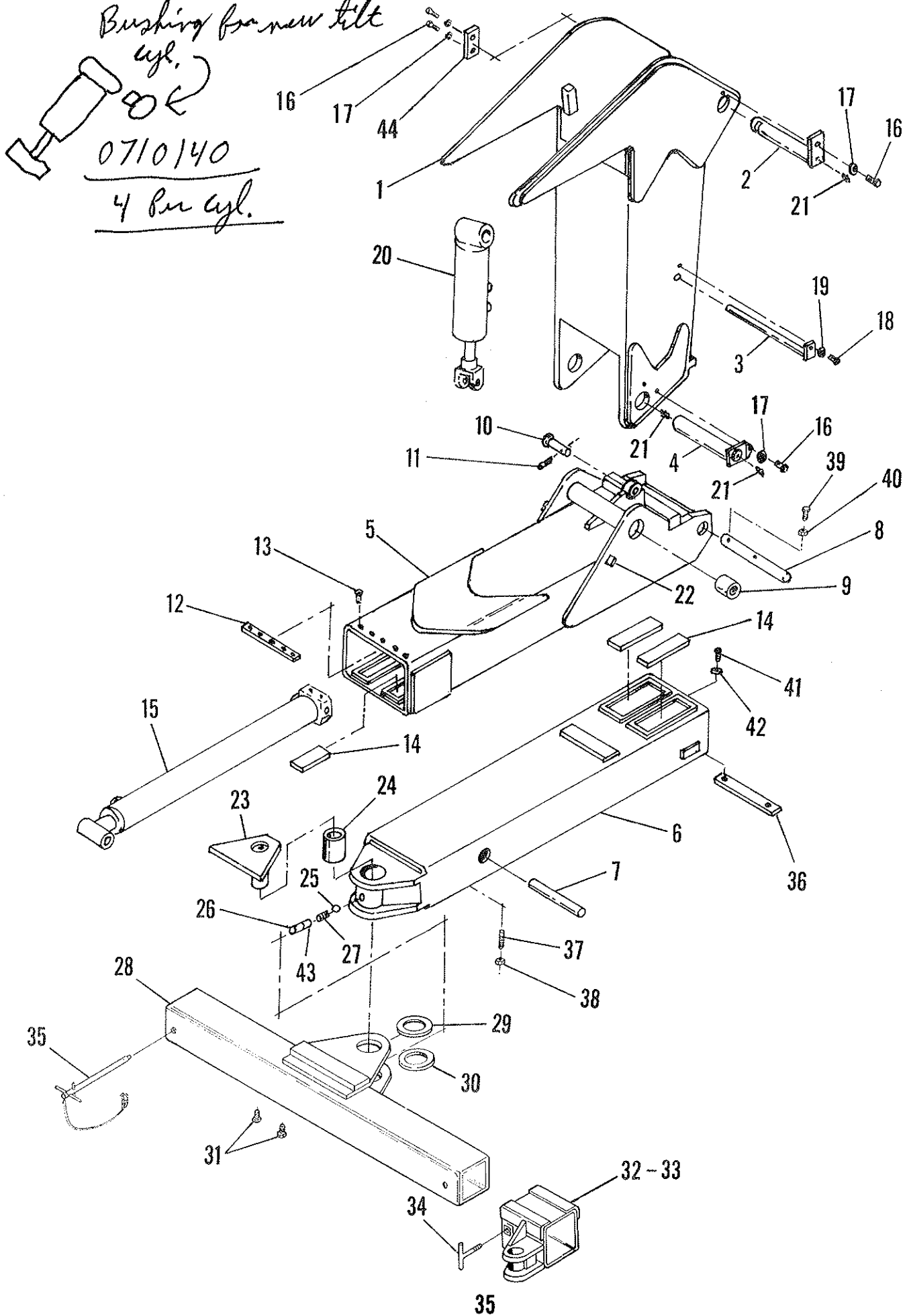
REF. NO.	NO. REQ'D	PART NUMBER	DESCRIPTION
1	1	0802241	3224 SUB-FRAME
2	1	0802211	FRONT BODY MTG. TUBE -120" C.A. BODY
3	1	0802243	LEFT INNER SPADE
4	1	0802244	RIGHT INNER SPADE
5	2	0302616	CYLINDER, HYDRAULIC
6	2	0707394	UPPER SPADE SHAFT
7	2	0705500	SHAFT, JACK, LOWER
8	2	0707377	COVER, SPADE TUBE
9	8	0400066	HEX, HD, CAP SCREW, 1/4"-20X3/4", HHCS, CR5, ZP
10	8	0400452	LOCKWASHER, HELICAL 1/4"
11	2	0802221	SPADE PAD-5030
12	2	0707199	PIN, SPADE PAD
13	8	0302540	CENTER BONDED MOUNT (BE0102)
14	12	0302541	SPECIAL WASHER (BE 0103)
15	4	0400281	SCREW, ZINC PLATED, 3/4-10X3 1/2" H.H.C.S. GRADE 5
16	4	0400294	SCREW, ZINC PLATED, 3/4-10NC X 6-1/2" H.H.C.S. GRADE 5
17	4	0400276	SCREW, 5/8-11X4.5" HHCS GR #5 ZP
18	4	0400430	NUT, 3/4-10 NYLOK ZP
19	8	0400506	WASHER, 5/8 X 1 3/4" ZP
20	4	0400508	WASHER, 5/8" HELICAL LOCKWASHER ZP
21	8	0400510	WASHER, 3/4" ZP
22	4	0400139	SET SCREW, 3/8 X 1-1/2" HEX SOCKET (HOLO KROME)
23	4	0400392	NUT, 3/8-16 NYLOK ZP
24	2	0707341	PIN
25	2	0400130	SCREW
26	2	0400392	NUT
27	2	0802240	LIFT CYLINDER PIN
28	2	0400181	SCREW
29	REF.	0302347	CYLINDER, LIFT RT
30	REF.	0302346	CYLINDER, LIFT LT
31	2	0400408	NUT
32	1	0802270	FRONT BODY MTG. TUBE - 138" C.A. BODY
33	2	0802271	BRACKET, MTG. TUBE - 138" C.A. BODY

# Section VII-PARTS - UNDERLIFT ASSEMBLY

*Bushing for new tilt  
cyl.*

*0710140*

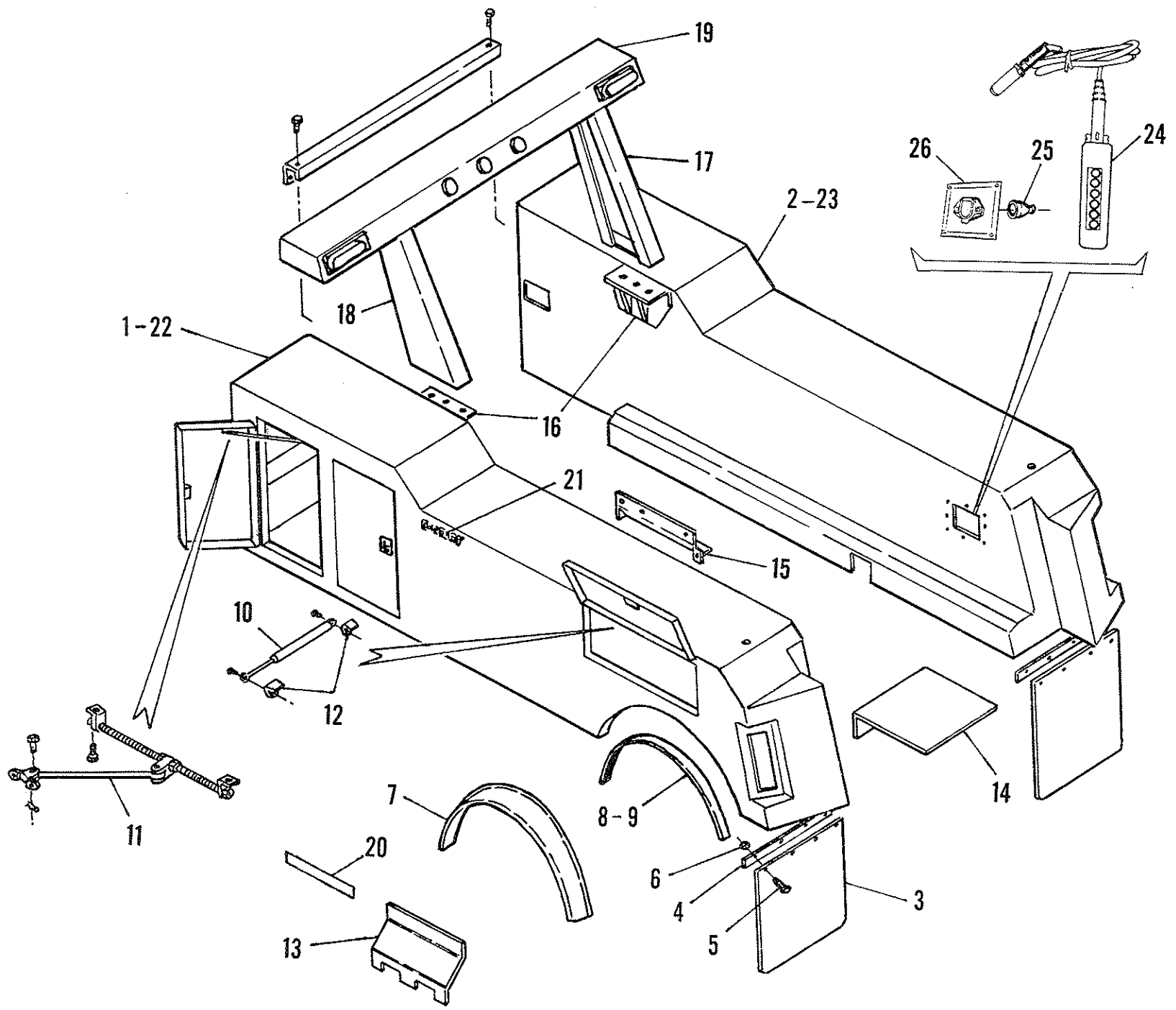
*4 per cyl.*



## Section VII-PARTS - UNDERLIFT ASSEMBLY

REF. NO.	NO. REQ'D	PART NUMBER	DESCRIPTION
1	1	0802236	TOWER
2	1	0802550	TOWER PIVOT PIN
3	1	0802220	FOLD CYLINDER PIN
4	1	0802237	UNDERLIFT PIVOT PIN
5	1	0802234	OUTER BOOM, UNDERLIFT
6	1	0802233	INNER BOOM, UNDERLIFT
7	1	0707270	EXTEND CYLINDER SHAFT
8	1	0707271	EXTEND CYLINDER SHAFT
9	2	0302619	BUSHING, 2.25" O.D. X 2" I.D. X 1.5" SPRG.
10	1	0304246	PIN, FOLD CYLINDER CLEVIS
11	1	0400548	COTTER PIN, 3/16" X 2" LG.
12	1	0707453	BAR, STOP
13	5	0400228	SCREW
14	4	0302561	SLIDE PAD
15	1	0302615	CYLINDER, UNDERLIFT EXTEND
16	4	0400176	SCREW, 1/2"-13 X 1" H.H.C.S. ZINC PLATED
17	4	0400491	WASHER, 1/2" HELICAL LOCKWASHER
18	1	0400121	SCREW, 3/8"-16 X 3/4" H.H.C.S. ZINC PLATED
19	1	0400482	WASHER, 3/8" HELICAL
20	1	0301765	CYLINDER, BOOM FOLDING
21	5	0300113	GREASE FITTING, ALEMITE
22	2	0706432	STOP BLOCK
23	1	0802235	PIVOT PIN
24	1	0302625	BUSHING
25	1	0301398	STEEL BALL, 1-3/16" DIA.
26	1	0702546	SPACER, DETENT SPRING
27	1	0301197	COMP. SPRING, CROSS BAR
28	1	0802230	CROSSBAR, WELDMENT
29	2	0302006	THRUST WASHER, 1/16"
30	1	0706949	THRUST WASHER, 1/8"
31	2	0400278	SCREW, 3/4"-10 NC X 2" SOCKET FL
32	1	0802249	FORK ADAPTOR, L.H.
33	1	0802250	FORK ADAPTOR, R.H. (SHOWN)
34	2	0801184	TEE HANDLE
35	2	0902378	RETAINER PIN, SPRING LIFT BRACKET
36	1	0707452	SPACER PAD
37	1	0400139	SET SCREW
38	1	0400392	NUT
39	1	0400107	SCREW
40	1	0400382	NUT
41	2	0400147	SCREW
42	2	0400481	WASHER
43	1	0702681	SPACER-DETENT SPRING
44	1	0708624	PLATE, PIN KEEPER

Section VII-PARTS-3224-BODY ASSEMBLY

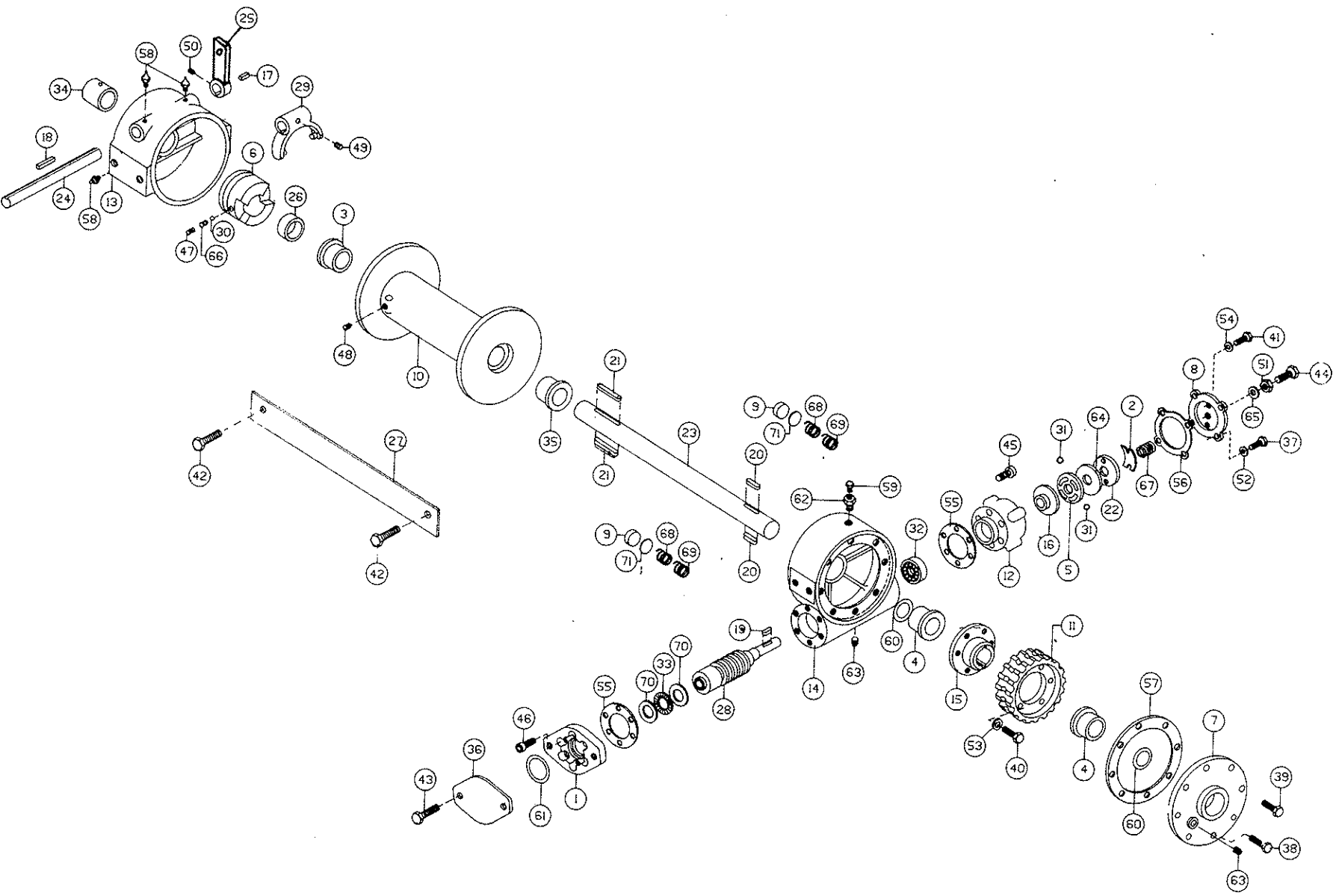




## Section VII-PARTS-3224-BODY ASSEMBLY

REF. NO.	NO. REQ'D	PART NUMBER	DESCRIPTION
1	1	0302612	TOOL BOX, LEFT 120" C.A.
2	1	0302613	TOOL BOX, RIGHT 120" C.A.
3	2	0301223	MUD FLAP
4	2	0705092	BAR, MUDFLAP
5	8	0400122	HEX. HD. CAP SCREW, 3/8"-16 X 1 1/4" GD5 ZP
6	8	0400392	NYLOK HEX. NUT ZP, 3/8"-16
7	2	0704047	FENDER, RUBBER
8	2	0706609	RETAINING STRIP, FENDER
9	30	0400566	RIVET, 1/4"
10	2	0302571	GAS SPRING CYLINDER (100 LB.)
11	4	0301912	DOOR CHECK, 11"
12	4	0302572	L-BRACKET
13	1	0707084	CONTROL PANEL
14	1	0707216	VALVE COVER
15	1	0802222	SPLASH GUARD
16	2	0802254	MOUNTING BRACKET
17	1	0802256	VERTICAL SUPPORT, R.H.
18	1	0802257	VERTICAL SUPPORT, L.H.
19	1	0802260	TOP CHANNEL
20	1	0500549	DECAL-CONTROL PANEL
21	1	0901496	CENTURY NAME PLATE KIT
22	1	0302638	TOOL BOX, LEFT 138" C.A.
23	1	0302639	TOOL BOX, RIGHT 138" C.A.
24	1	0302558	HAND CONTROL ASSEMBLY
25	1	0301909	RECEPTACLE BOOT
26	1	0707231	PLATE, SOCKET MOUNTING

Section VII-PARTS-WINCH ASSEMBLY MODEL H-600SC



# Section VII-PARTS-WINCH ASSEMBLY MODEL H-600SC

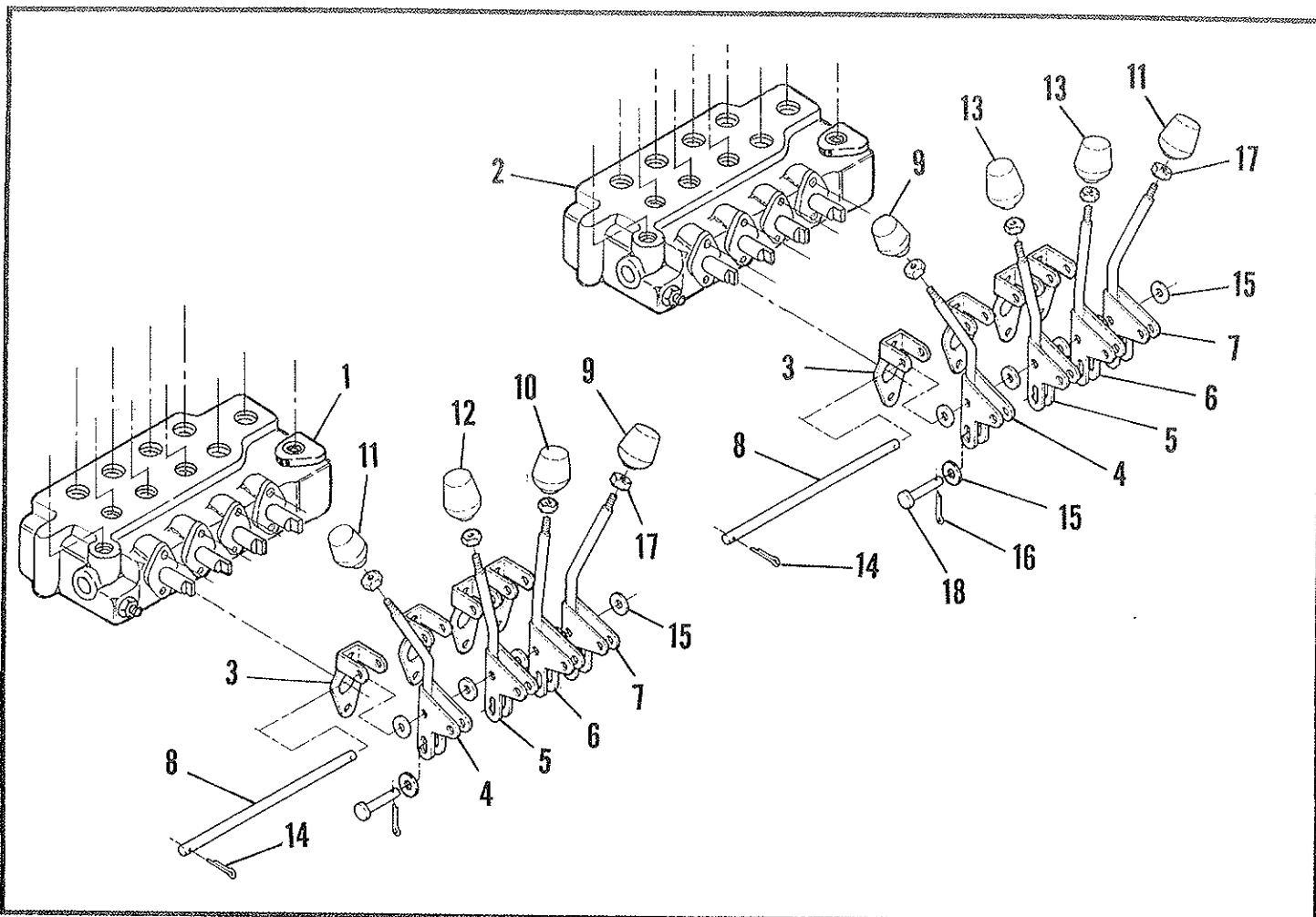
REF. NO.	NO. REQ'D	PART NUMBER	DESCRIPTION
1	1	300062	ADAPTER
2	1	306036	SPRING-FLAT
3	1	308046	BUSHING
4	2	308048	BUSHING
5	1	314003	PLATE-CAM
6	1	324163	CLUTCH-JAW
7	1	328046	COVER
8	1	328057	COVER-BRAKE
9	2	330010	SHOE-DRAG BRAKE
10	1	332140	DRUM-600
11	1	334050	GEAR-R.H.
12	1	338038	HOUSING-BRAKE
13	1	338040	HOUSING-CLUTCH
14	1	338270	HOUSING-GEAR
15	1	340014	HUB-GEAR
16	1	340024	HUB-BRAKE
17	1	342024	KEY-SQ. END
18	1	342032	KEY-SQ. END
19	1	342051	KEY-RD. END
20	2	342120	KEY-RD. END
21	2	450017	KEY-BARTH
22	1	352020	PLATE-RETAINER
23	1	357466	SHAFT-DRUM-600
24	1	356945	SHAFT-SHIFTER
25	1	358001	SHIFTER-HANDLE
26	1	362007	SPACER-DRUM
27	1	364047	SHIP STRAP
28	1	368195	WORM-R.H.
29	1	370003	YOKE
30	1	400003	BALL-POPPET
31	1	400007	BALL-BRAKE
32	1	402044	BEARING-BALL
33	1	402107	BEARING-THRUST
34	1	412005	BUSHING
35	1	412006	BUSHING-600
36	1	413013	COVER-ADAPTER
37	4	414111	CAPSCREW 5/16-18NC X 1 LG. HX. HD. GR. 5
38	1	414140	CAPSCREW 5/16-18NC X 3/4 LG. HX. HD. GR.5 NYLOK H/P
39	7	414141	CAPSCREW 5/16-18NC X 1 LG. HX. HD. GR. 5 NYLOK H/P
40	6	414283	CAPSCREW 3/8-16NC X 1-1/4 LG. HX. HD. GR. 8
41	2	414398	CAPSCREW 3/8-24NF X 1 LG. HX. HD. GR. 5 NYLOK H/P

continued on next page

## Section VII-PARTS-WINCH ASSEMBLY MODEL H-600SC

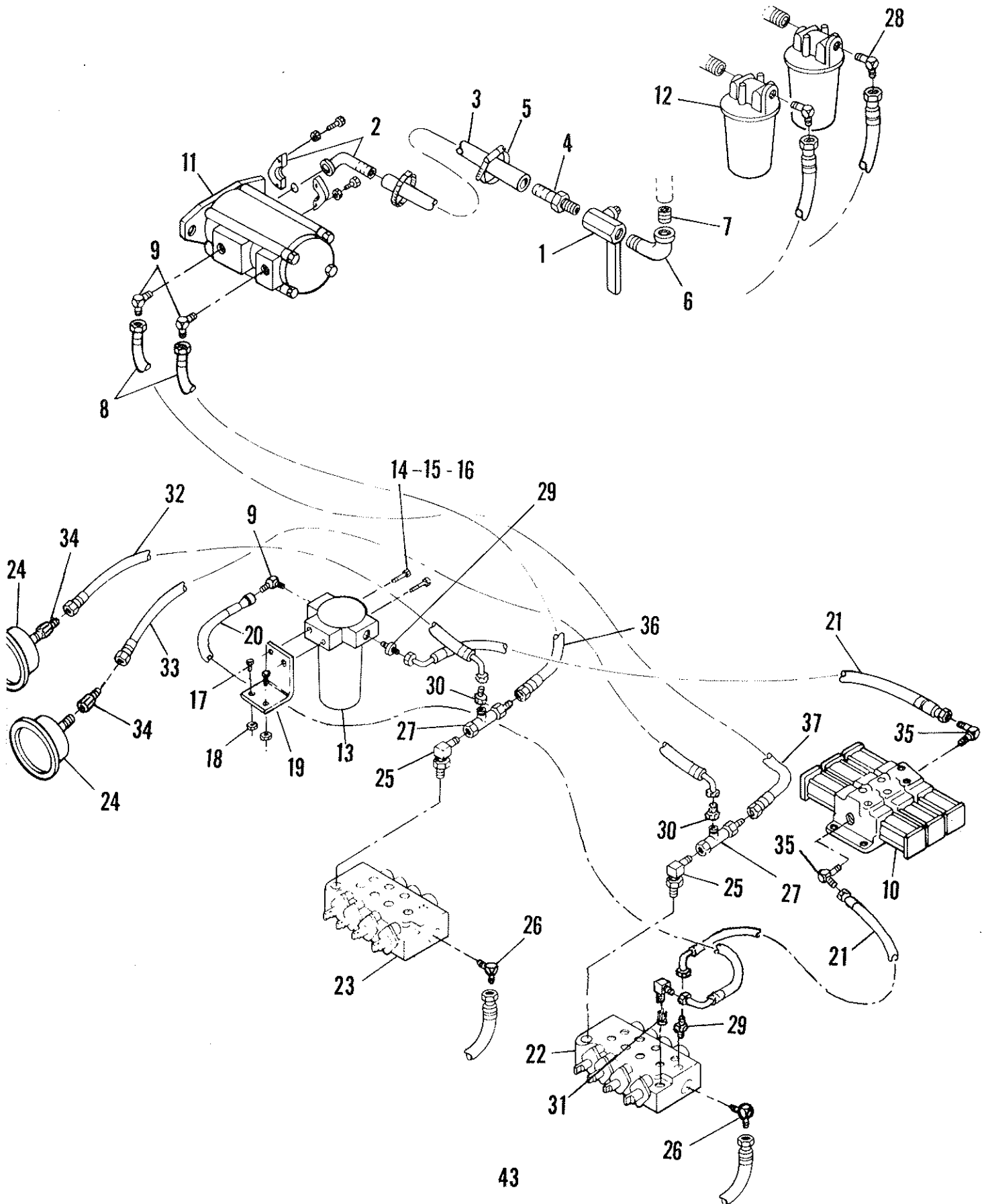
REF. NO.	NO. REQ'D	PART NUMBER	DESCRIPTION
42	2	414411	CAPSCREW 7/16-14NC X 3/4 LG. HX. HD. GR. 5
43	2	414581	CAPSCREW 1/2-13NC X 3/4 LG. HX. HD. C.P. GR. 5
44	1	414603	CAPSCREW 1/2-20NF X 1-3/4 LG. HX. HD. GR. 5 ALL-THD.
45	6	414865	CAPSCREW 5/16-18NC X 1 LG. HX. SOC. HD.
46	6	414887	CAPSCREW 5/16-18NC X 1 LG. SOC. BUTTON HD. ND STRIP
47	1	414971	SCREW-POPPET 1/2-20 NF HD.-LESS DR. SLOT
48	1	416059	SETSCREW 3/8-16NC X 1/2 LG. HX. SOC. HD.
49	1	416109	SETSCREW 5/16-18NC X 1/2 LG. SQ. HD.
50	1	416112	SETSCREW 5/16-18NC X 3/4 LG. SQ. HD.
51	1	418067	NUT-JAM 1/2-20 NF HX.
52	4	418163	LOCKWASHER 5/16 MED. SECT.
53	6	418176	LOCKWASHER 3/8 MED. SECT.
54	2	418184	WASHER-FLAT 3/8 ALUM.
55	2	442182	GASKET
56	1	442190	GASKET
57	1	442191	GASKET
58	3	456006	FITTING-LUBE
59	1	456008	FITTING-RELIEF
60	2	462003	QUAD-RING
61	1	462029	O-RING
62	1	468002	REDUCER
63	2	468011	PLUG-PIPE
64	1	474004	PLATE
65	1	486076	THREAD SEAL
66	1	494005	SPRING
67	1	494010	SPRING
68	2	494088	SPRING
69	2	494089	SPRING
70	2	518026	THRUST WASHER
71	2	530094	SPACER-BRAKE DISC

# Section VII-PARTS-CONTROL ASSEMBLY



REF. NO.	NO. REQ'D	PART NUMBER	DESCRIPTION
1	1	0300011	VALVE, 4 SPOOL CONTROL, LEFT
2	1	0302557	VALVE, 4 SPOOL CONTROL, RIGHT
3	8	0301638	BRACKET, CONTROL HANDLE
4	2	0800795	CONTROL HANDLE
5	2	0800798	CONTROL HANDLE
6	2	0800797	CONTROL HANDLE
7	2	0800796	CONTROL HANDLE
8	2	0702983	ROD, CONTROL HANDLE 5/16" DIA. X 6-1/8" LG.
9	2	0300834	KNOB, CONTROL (IN-OUT)
10	1	0300835	KNOB-BOOM UP-DOWN
11	2	0300836	CONT. KNOB-JACK UP-DOWN
12	1	0300837	KNOB-BOOM IN-OUT
13	2	0300341	KNOB, W/L X-BAR CONTROL
14	4	0400541	COTTER PIN, 1/16" X 3/4 LG
15	24	0400465	WASHER, 5/16" SAE PLAIN
16	8	0400543	COTTER PIN, 1/8" X 3/4 LG.
17	8	0400393	NUT, 3/8"-16 JAM
18	8	0400532	CLEVIS PIN, 5/16" DIA. X 1" LG

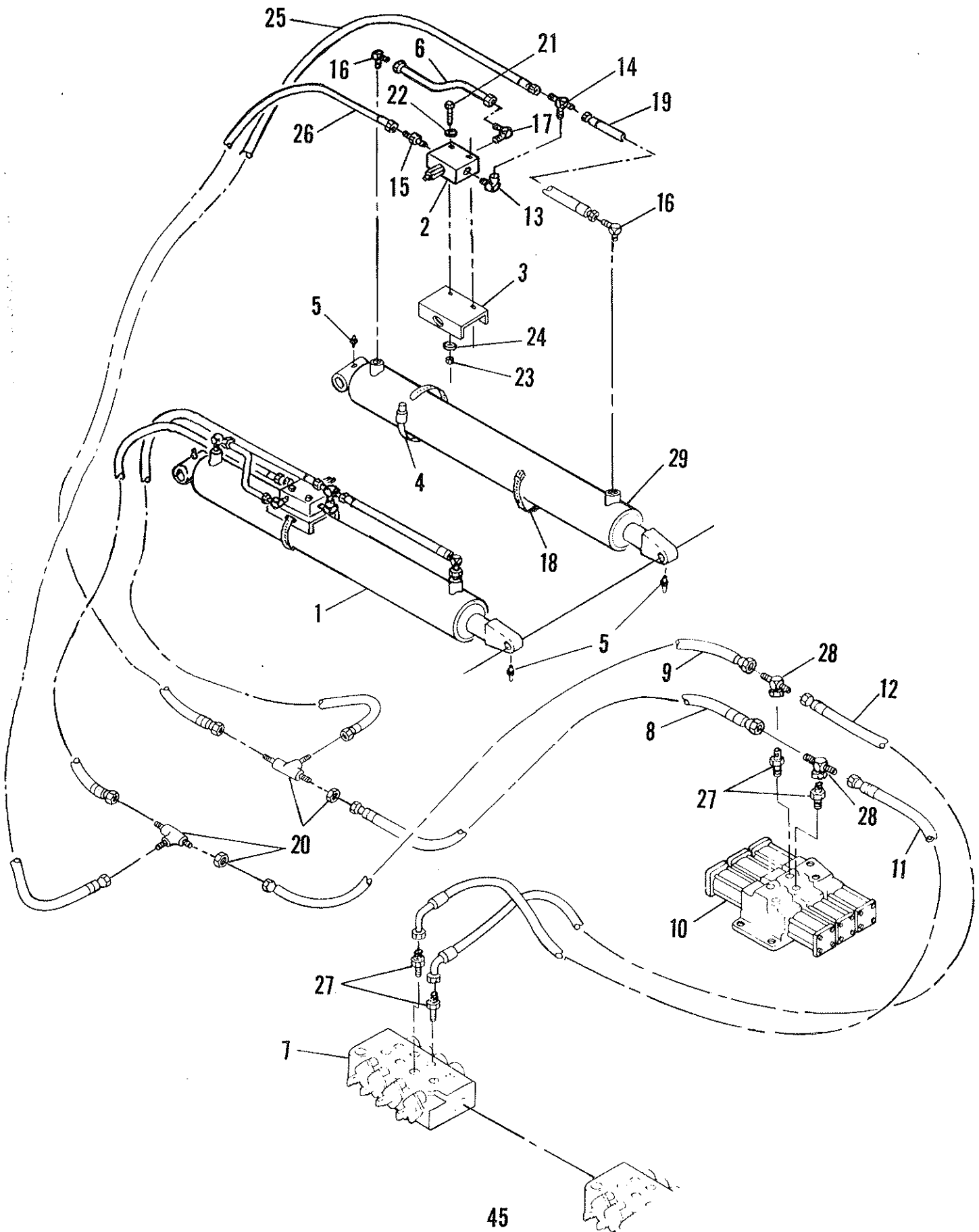
# Section VII-PARTS- PUMP HYD.-HI-PRESS & RETURN



## Section VII-PARTS PUMP HYD.-HI-PRESS & RETURN

REF. NO.	NO. REQ'D	PART NUMBER	DESCRIPTION
1	1	0302088 ✓	VALVE, BRONZE BALL
2	1	0302242 ✓	FLANGE FITTING
3	1	0300671 ✓	SUCTION HOSE, 1 1/2" X 10 FT.
4	1	0300666 ✓	BARB
5	2	0300364 ✓	CLAMP, HOSE, 1"-2.25"
6	1	<del>0300627</del>	ELBOW, 90 DEG. STREET
7	1	0300891 ✓	PIPE NIPPLE, 1 1/2 X 3"
8	2	0300165	HOSE ASSEMBLY, 150"
9	3	0301547 ✓	ELBOW
10	1	<del>0301883</del>	SOLENOID VALVE
11	1	0301507 ✓	PUMP, HYDRAULIC, OPP. ENG.
12	2	0300136	FILTER ASSEMBLY
13	1	0302506	FILTER, IN-LINE
14	2	0400081	HEX. HD. CAP SCREW 1/4"-20 X 3-1/2"
15	2	0400451	FLATWASHER ZP, 1/4"
16	2	0400367	NYLON HEX, NUT ZP, 1/4"-20
17	2	0400126	HEX. HD. CAP SCREW, 3/8"-16X1
18	2	0400392	NYLOK HEX, NUT ZP, 3/8"-16X1"
19	1	0707228	ANGLE, FILTER MOUNTING
20	1	0302331	HOSE ASSEMBLY, 22-1/2"
21	2	0301471	HOSE ASSEMBLY, 30"
22	REF.	0302557	VALVE, 4 SPOOL CONTROL
23	REF.	0300011	VALVE, 4 SPOOL CONTROL
24	2	0302205	GAUGE, HYDRAULIC PRESS
25	2	0300052	ELBOW, 90°
26	2	0301545	ELBOW
27	2	0302052	TEE
28	2	0300615	ELBOW
29	2	0301780	CONNECTOR
30	2	0301995	ADAPTER
31	1	0300286	H.P. CARRY-OVER FITTING
32	1	0301908	HOSE ASSEMBLY, 14"
33	1	0302597	HOSE ASSEMBLY, 28"
34	2	0302577	ADAPTER
35	3	0301388	ELBOW, 90 DEGREE
36	1	0302592	HOSE ASSEMBLY, 36"
37	1	0302593	HOSE ASSEMBLY, 54"

# Section VII-PARTS- BOOM ELEVATION HYDRAULICS

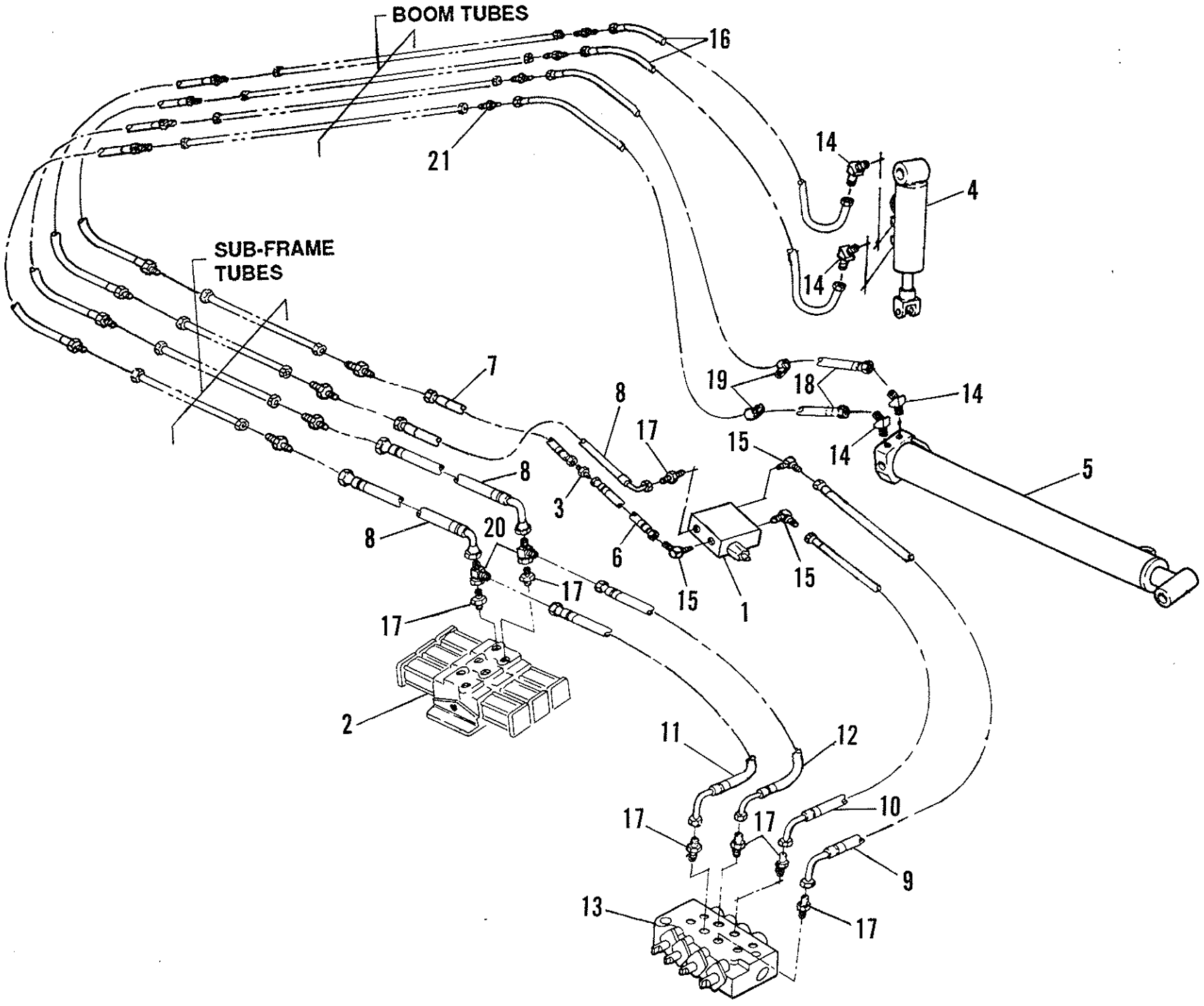




# Section VII-PARTS-BOOM ELEVATION-HYDRAULIC

REF. NO.	NO. REQ'D	PART NUMBER	DESCRIPTION
1	1	0302346	CYLINDER, LIFT (LEFT)
2	2	0301731	VALVE, HOLDING
3	2	0700238	BRACKET, HOLDING VALVE, LG
4	2	0300365	CLAMP, CHECK VALVE RET.
5	4	0300113	GREASE FITTING, ALEMITE
6	2	0302568	HYDRAULIC TUBING
7	REF	0300011	VALVE, 4 SPOOL CONTROL
8	1	0302035	HOSE ASSEMBLY 18"
9	1	0302036	HOSE ASSEMBLY 26"
10	REF	0301883	SOLENOID VALVE
11	1	0302582	HOSE ASSEMBLY 36"
12	1	0302581	HOSE ASSEMBLY 36"
13	2	0300147	ELBOW, STREET 4 MP-4FP 90 DEG
14	2	0300206	TEE, BRANCH 6MJ-6MJ-4MP
15	1	0301425	CONNECTOR
16	4	0300229	ELBOW, 90 DEG.
17	2	0302051	ELBOW, 90 DEG.
18	4	0302569	WIRE TIE, 29 3/4" LG.
19	2	0302583	HOSE ASSEMBLY 35 1/2"
20	2	0302575	TEE, BULKHEAD RUN
21	4	0400064	SCREW, RD. HD. SLOTTED 1/4"-20 X 2 1/4", ZP
22	4	0400451	WASHER, FLAT 1/4" ZP
23	4	0400366	NUT, HEX. 1/4"-20 ZP
24	4	0400452	WASHER, HELICAL LOCK 1/4" ZP
25	2	0302633	HOSE ASSEMBLY 50"
26	2	0302632	HOSE ASSEMBLY 40"
27	4	0300044	CONNECTOR, 6 MJ-8MB
28	2	0302573	TEE
29	1	0302347	CYLINDER, LIFT (RIGHT)

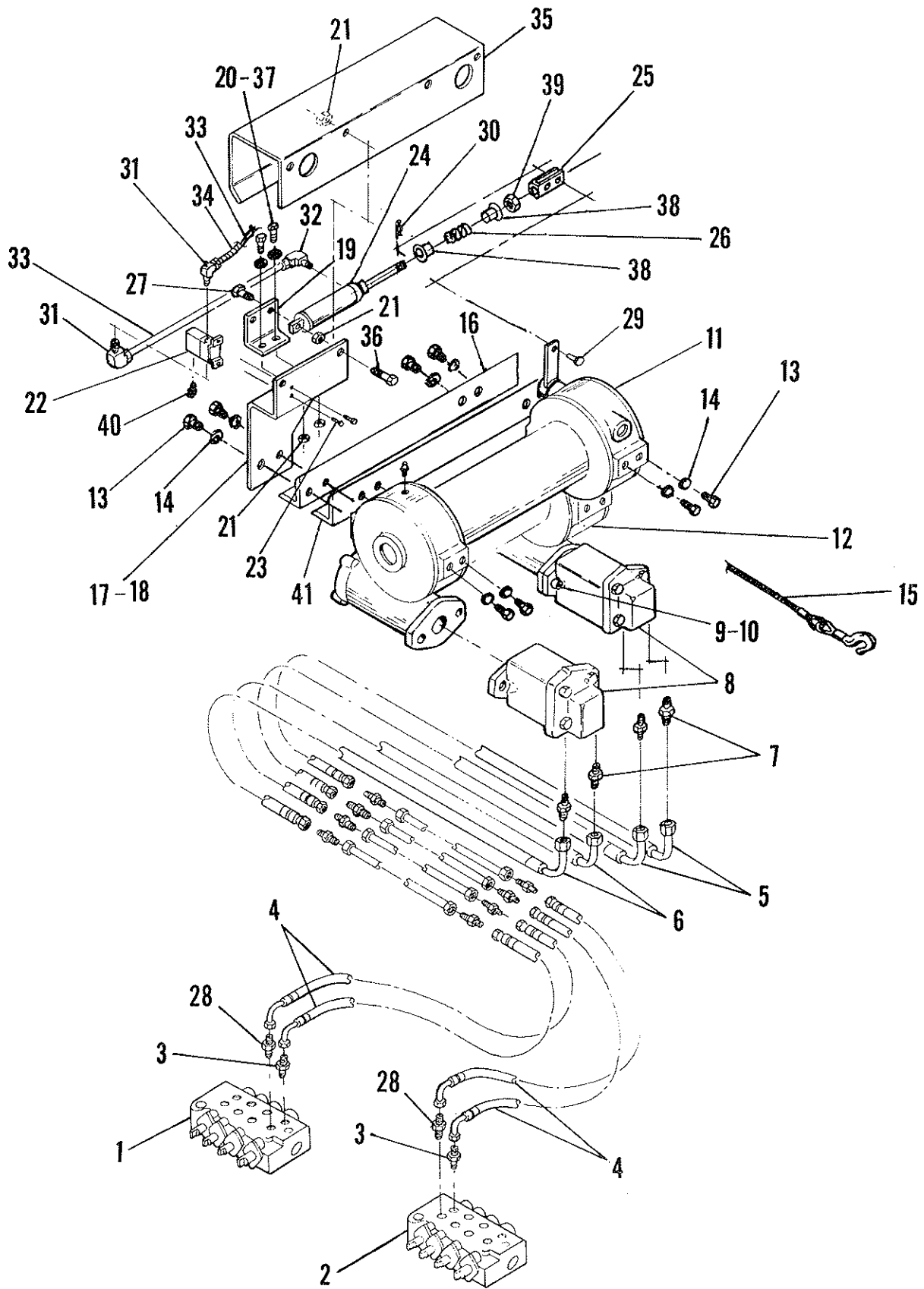
Section VII - PARTS - UNDERLIFT HYDRAULICS



## Section VII-PARTS-UNDERLIFT HYDRAULIC

REF. NO.	NO. REQ'D	PART NUMBER	DESCRIPTION
1	1	0301730	DOUBLE HOLDING VALVE
2	REF	0301883	SOLENOID VALVE
3	1	0301837	INLINE ORIFICE
4	REF	0301765	CYLINDER, BOOM FOLDING
5	REF	0302615	CYLINDER, EXTEND
6	1	0301908	HOSE ASSEMBLY 14"
7	1	0302606	HOSE ASSEMBLY 9"
8	3	0302579	HOSE ASSEMBLY 24"
9	1	0302586	HOSE ASSEMBLY 54"
10	1	0302585	HOSE ASSEMBLY 54"
11	1	0302582	HOSE ASSEMBLY 36"
12	1	0302581	HOSE ASSEMBLY 36"
13	REF	0302557	VALVE, 4 SPOOL CONTROL
14	4	0302509	ELBOW, 45 DEG.
15	3	0301470	ELBOW, 90 DEG.
16	2	0302636	HOSE ASSEMBLY 58"
17	7	0300044	CONNECTOR, 6 MJ-8MB
18	2	0302637	HOSE ASSEMBLY 72"
19	4	0301601	HOSE CLAMP, INSUL, 5/8"
20	2	0301781	TEE, SWIVEL NUT RUN
21	6	0302514	ADAPTOR 8MJ-6MJ

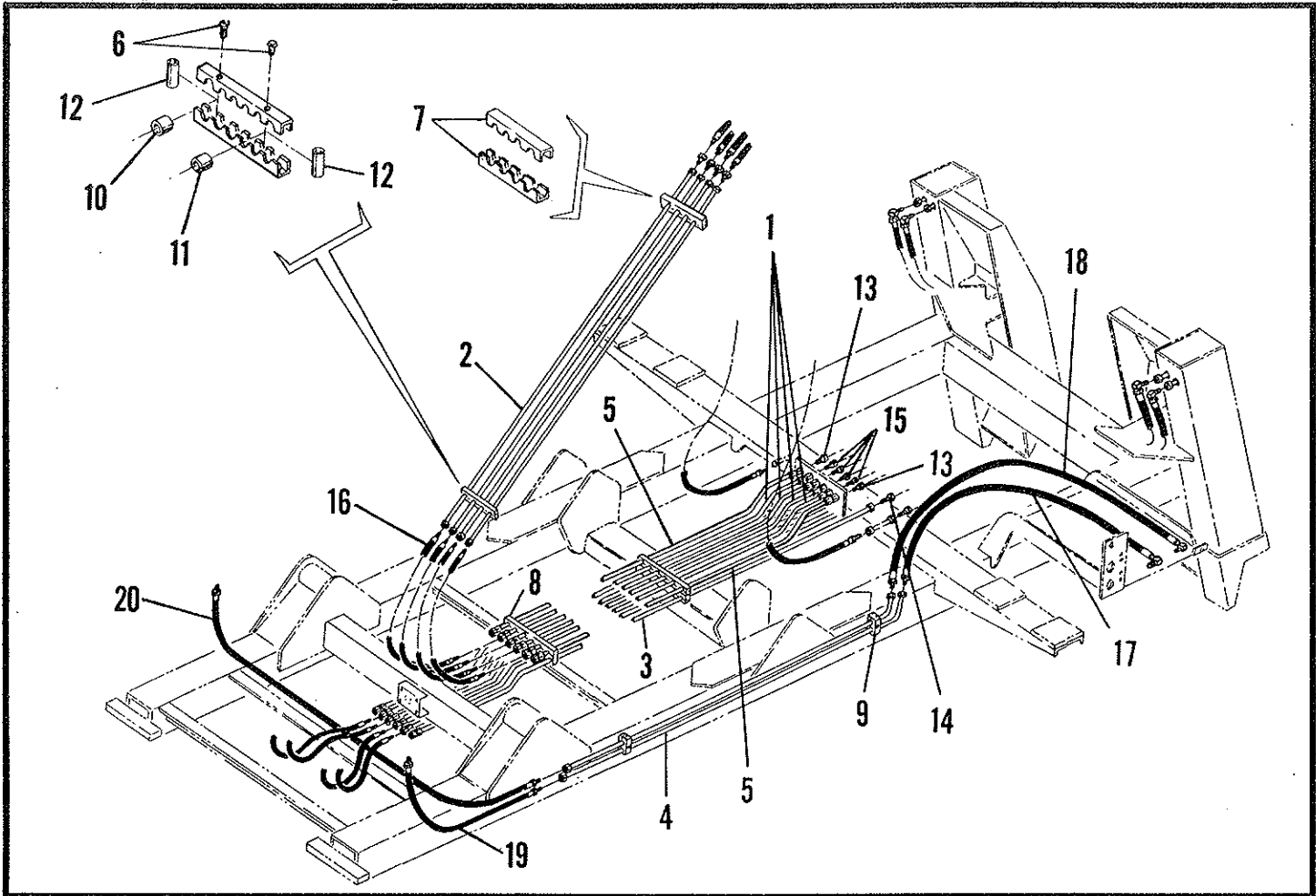
# Section VII-PARTS-WINCH-AIR & HYDRAULIC



## Section VII-PARTS-WINCH-AIR & HYDRAULIC

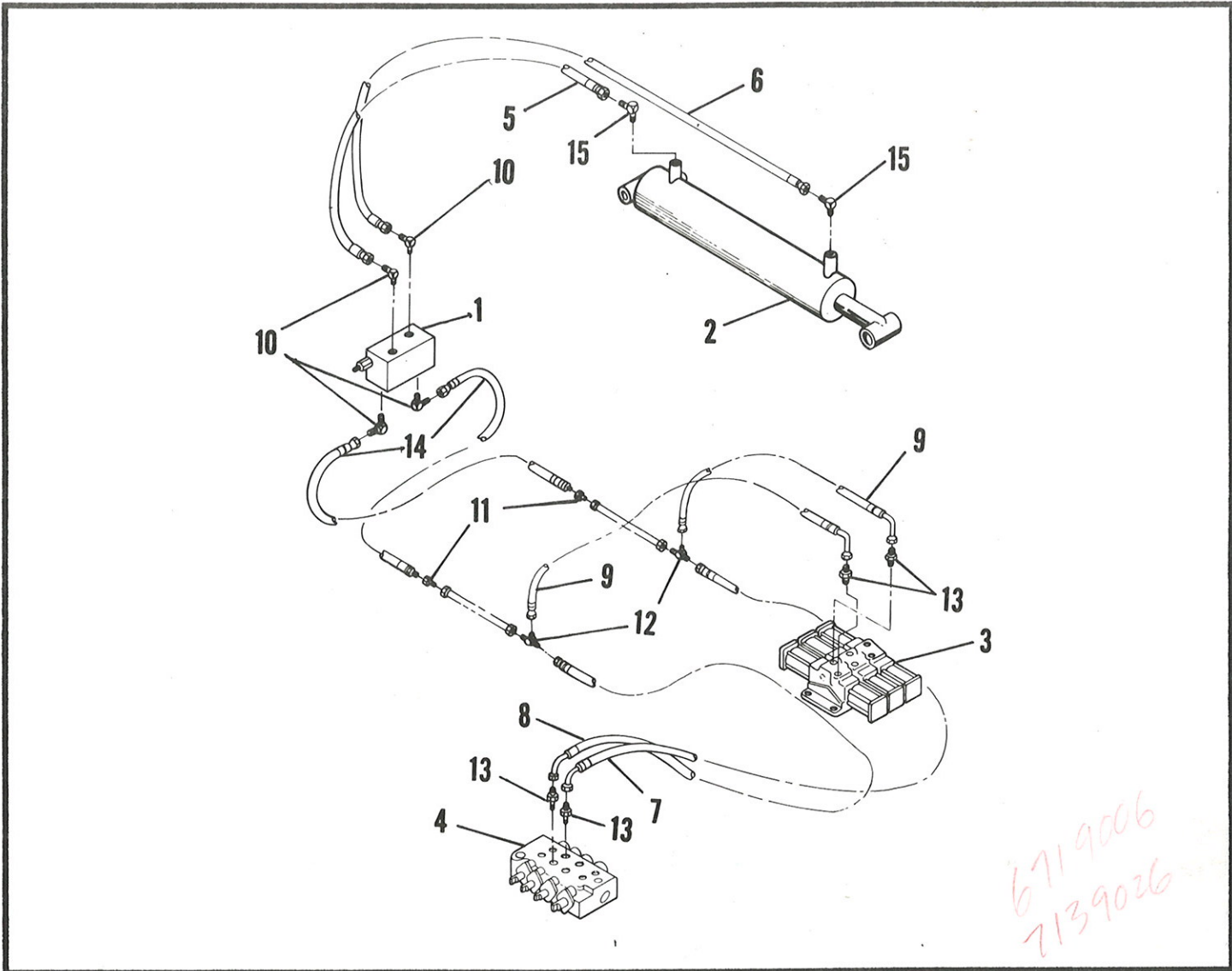
REF. NO.	NO. REQ'D	PART NUMBER	DESCRIPTION
1	REF.	0300011	VALVE, 4 SPOOL CONTROL
2	REF.	0302557	VALVE, 4 SPOOL CONTROL
3	2	0300041	CONNECTOR, STRAIGHT
4	4	0300787	HOSE ASSEMBLY
5	2	0302630	HOSE ASSEMBLY
6	2	0302631	HOSE ASSEMBLY
7	4	0301376	CONNECTOR, STRAIGHT
8	2	0302627	MOTOR, HYDRAULIC
9	4	0400238	SCREW
10	4	0400491	WASHER, HELICAL LOCK
11	1	0302617	WINCH, H-600SC LEFT
12	1	0302618	WINCH, H-600SC RIGHT
13	16	0400234	SCREW, HEX-HD.
14	16	0400487	WASHER, HELICAL LOCK
15	2	0302626	CABLE, ASSEMBLY
16	1	0707338	WINCH MOUNTING ANGLE-REAR
17	1	0707416	BRACKET, LEFT FREESPOOL
18	1	0707417	BRACKET, RIGHT FREESPOOL
19	2	0702382	MOUNTING ANGLE
20	4	0400122	SCREW, HEX. HD.
21	8	0400392	NUT, HEX.
22	2	0300324	VALVE, SOLENOID AIR CONTROL
23	4	0400034	SCREW
24	2	0302055	AIR CYLINDER
25	2	0800772	ADJUSTMENT YOKE
26	2	0302795	SPRING, AIR CYLINDER
27	2	0400132	SCREW, HEX. HD. 3/8"-16 X 1 1/2" GR5 ZP
28	2	0301445	CONNECTOR, STRAIGHT EXTENDED
29	2	0400530	CLEVIS PIN
30	2	0400543	COTTER PIN
31	4	0302678	ELBOW, 1/4" TUBE X 1/8" MP 90
32	2	0301574	ELBOW, 90 DEG. BRASS MALE
33	18 FT.	0301577	AIR HOSE, 1/4" O.D.
34	7 FT.	0302432	LOOM, 5/16"
35	2	0707418	COVER, FREESPOOL
36	4	0400121	SCREW, HEX. HD.
37	8	0400480	WASHER
38	4	RR809	BUSHING
39	2	0400412	NUT
40	2	0302677	BREATHER
41	1	0707337	WINCH MOUNTING ANGLE-FRONT

# Section VII-PARTS - MAIN FRAME HYDRAULIC ASSEMBLY



REF. NO.	NO. REQ'D	PART NUMBER	DESCRIPTION
1 ✓	4	0302620	TUBE ASSEMBLY
2 ✓	4	0302624	TUBE ASSEMBLY
3 ✓	6	0302621	TUBE ASSEMBLY
4 ✓	2	0302623	TUBE ASSEMBLY
5 ✓	2	0302622	TUBE ASSEMBLY
6	14	0400118	SCREW, 5/16-18X3/4" HHCS GR5 ZP
7	3	0302547	CLAMPING UNIT
8	5	0302548	CLAMPING UNIT
9	2	0302546	CLAMPING UNIT
10	38	0302549	BUSHING 1/2"-SPLIT
11	8	0302550	BUSHING 3/4"-SPLIT
12	18	0302551	STACKING NUTS, SOCKET HEAD
13	2	0301093	BULKHEAD UNION
14	2	0302574	BULKHEAD RUN TEE
15	8	0302576	BULKHEAD UNION W/NUT 8MJ-8 BLKHD
16	4	0302918	HOSE ASSEMBLY-32"
17	1	0302594	HOSE ASSEMBLY-52"
18	1	0302595	HOSE ASSEMBLY-62"
19	1	0302599	HOSE ASSEMBLY-36"
20	1	0302629	HOSE ASSEMBLY

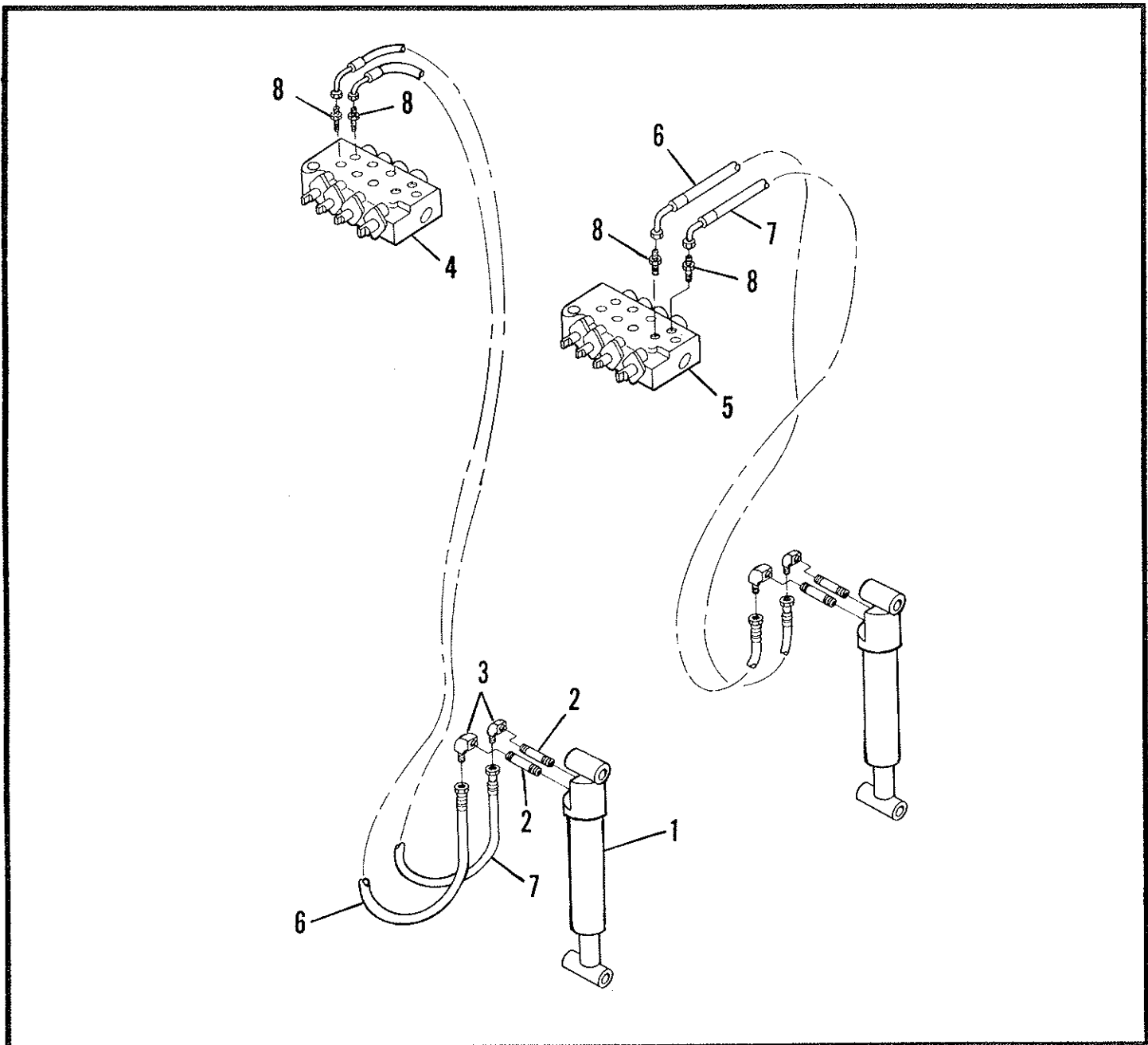
# Section VII-PARTS - BOOM EXT./RET. HYDRAULICS



6719006  
2139026

REF. NO.	NO. REQ'D	PART NUMBER	DESCRIPTION
1	1	0301730	DOUBLE HOLDING VALVE
2	1	0302614	CYLINDER EXTEND
3	REF.	0301883	VALVE, SOLENOID
4	REF.	0300011	VALVE, 4 SPOOL CONTROL (LEFT)
5	1	<del>0302634</del> 2000	HOSE ASSY 24"
6	1	0302635	HOSE ASSY, 159"
7	1	0302584	HOSE ASSY, 50"
8	1	0302588	HOSE ASSY
9	2	0302579	HOSE ASSY
10	4	0301470	ELBOW, 90°
11	2	0302514	ADAPTOR 8MJ-6MJ
12	2	0302574	TEE, BULKHEAD RUN
13	4	0300044	CONNECTOR, 6MJ-8MB
14	2	0302036	HOSE ASSY 26", 6 M1T W/6FJX EE
15	2	0301620	ELBOW

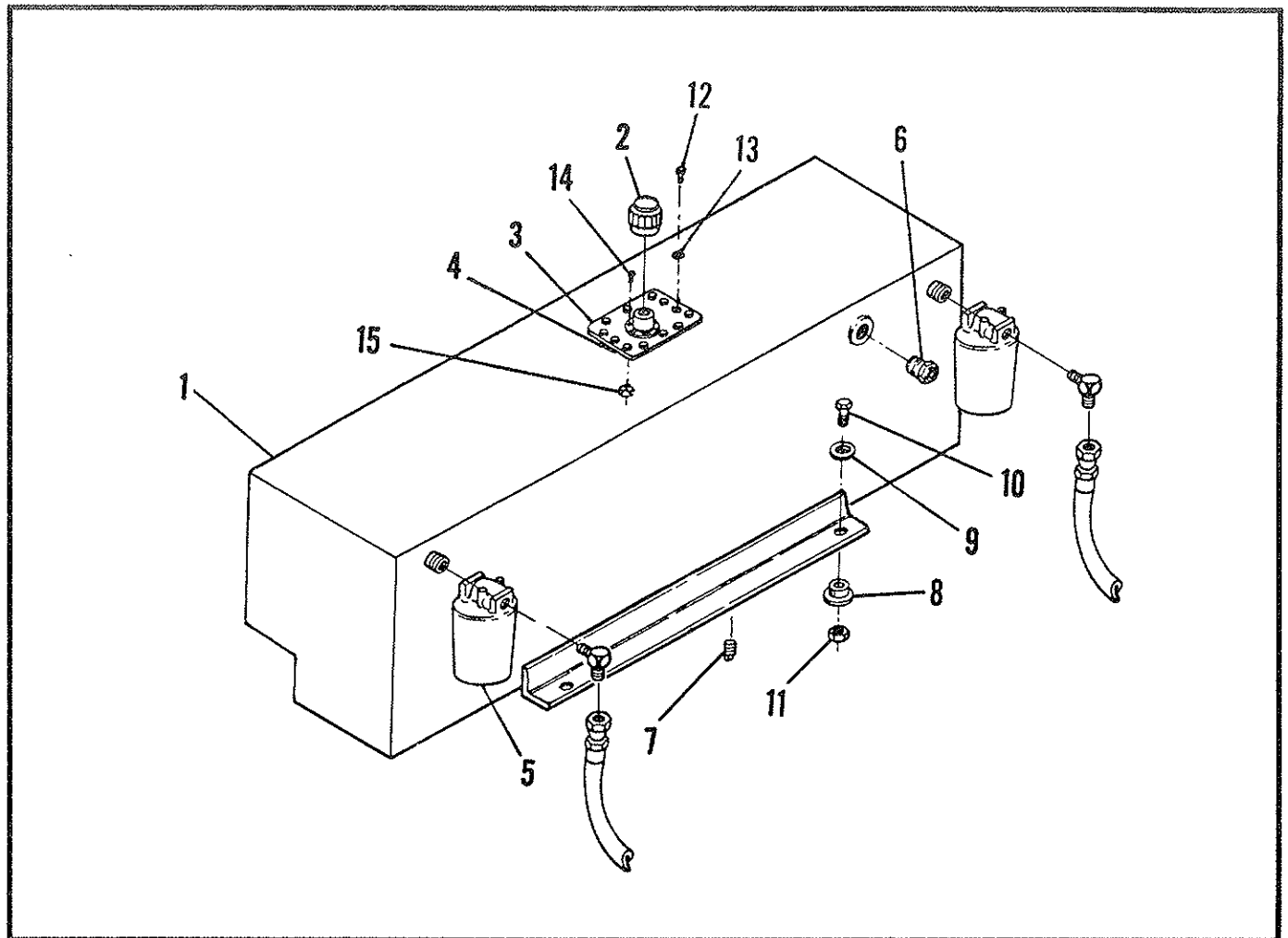
# Section VII - PARTS-REAR JACK HYDRAULICS



REF. NO.	NO. REQ'D	PART NUMBER	DESCRIPTION
1	REF.	0302616	CYLINDER, HYDRAULIC
2	4	0301819	NIPPLE, BLACK PIPE
3	4	0300689	ELBOW, STEEL STREET, 90 °
4	REF.	0300011	VALVE, 4 SPOOL CONTROL
5	REF.	0302557	VALVE, 4 SPOOL CONTROL
6	2	0302591	HOSE ASSEMBLY, 76"
7	2	0302590	HOSE ASSEMBLY, 76"
8	4	0300044	CONNECTION

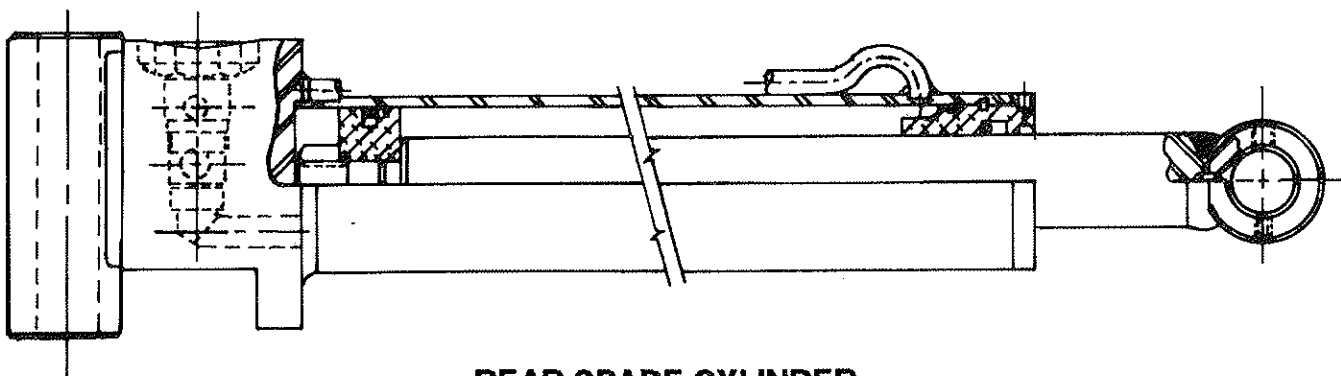


# Section VII-PARTS-RESERVOIR HYDRAULICS



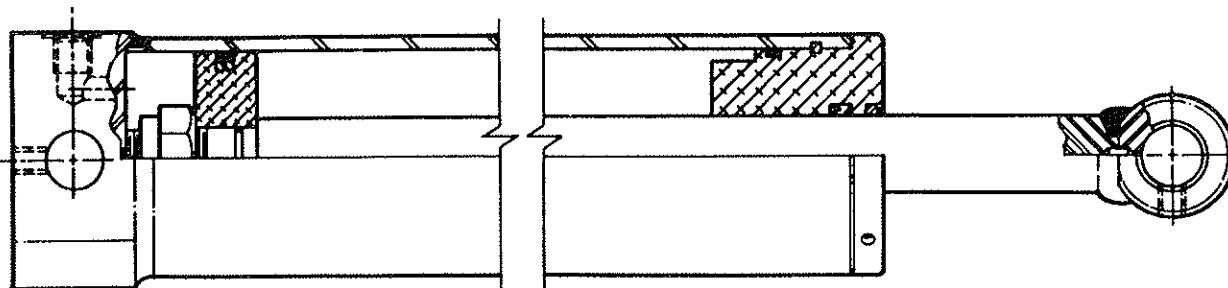
REF. NO.	NO. REQ'D	PART NUMBER	DESCRIPTION
1	1	0802245	RESERVOIR
2	1	0305006	FILLER BREATHER CAP
3	1	0705910	COVER PLATE
4	1	0706114	GASKET, CLEANOUT & FILLER COVER
5	REF.	0300136	FILTER ASSY.
6	1	0302570	SIGHT GAGE
7	1	0300446	PIPE PLUG, 3/4"
8	4	0302227	CENTER BOND MOUNT
9	4	0302228	SPECIAL WASHER
10	4	0400150	SCREW, HEX. HD. 3/8-16 X 2 1/2" GD. 5 ZP
11	4	0400392	NUT, HEX. 3/8-16 NYLOK
12	12	0400122	SCREW, HEX. HD. 3/8-16 X 1 1/4" GD. 5 ZP
13	12	0400482	WASHER, 3/8" LOCK-ZP
14	6	0400036	SCREW, MACH. #10-32X1"-ZP
15	6	0400357	NUT, HEX. #10-32 NYLON LOCK

## Section VII-PARTS-HYDRAULIC CYLINDERS



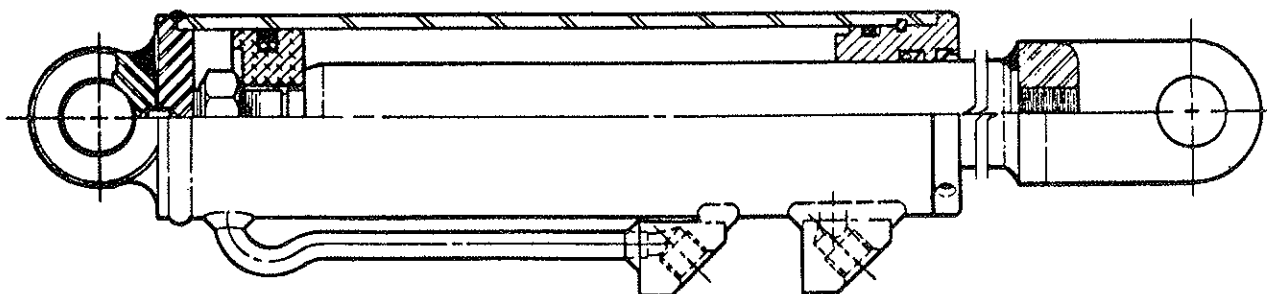
**REAR SPADE CYLINDER**

REF. NO.	NO. REQ'D	PART NUMBER	DESCRIPTION
1	2	0302616	REAR SPADE CYLINDER (COMPLETE)
2	1	0304244	SEAL KIT, REAR SPADE CYLINDER



**UNDERLIFT EXT./RET. CYLINDER**

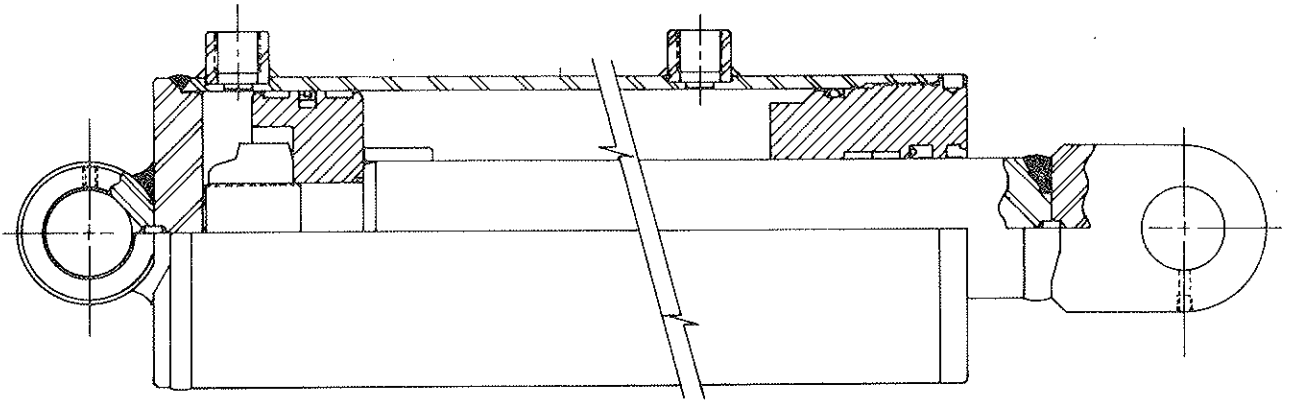
REF. NO.	NO. REQ'D	PART NUMBER	DESCRIPTION
1	1	0302615	HYDRAULIC CYLINDER, BOOM EXTEND (COMPLETE)
2	1	0304319	SEAL KIT, BOOM EXTEND CYLINDER



**UNDERLIFT FOLD CYLINDER**

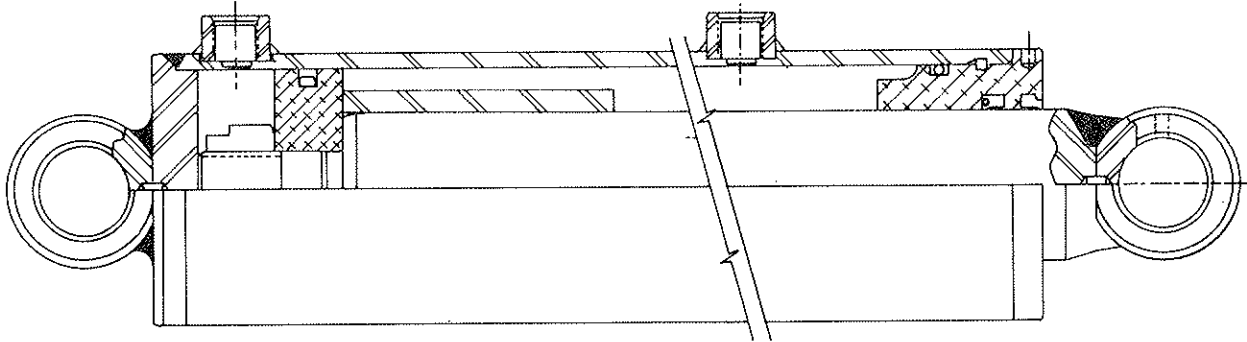
REF. NO.	NO. REQ'D	PART NUMBER	DESCRIPTION
1	1	0301765	HYDRAULIC CYLINDER, SDU FOLD (COMPLETE)
2	1	0304244	SEAL KIT, SDU FOLD CYLINDER

# Section VII-PARTS-HYDRAULIC CYLINDERS



**WRECKER BOOM ELEVATION CYLINDER**

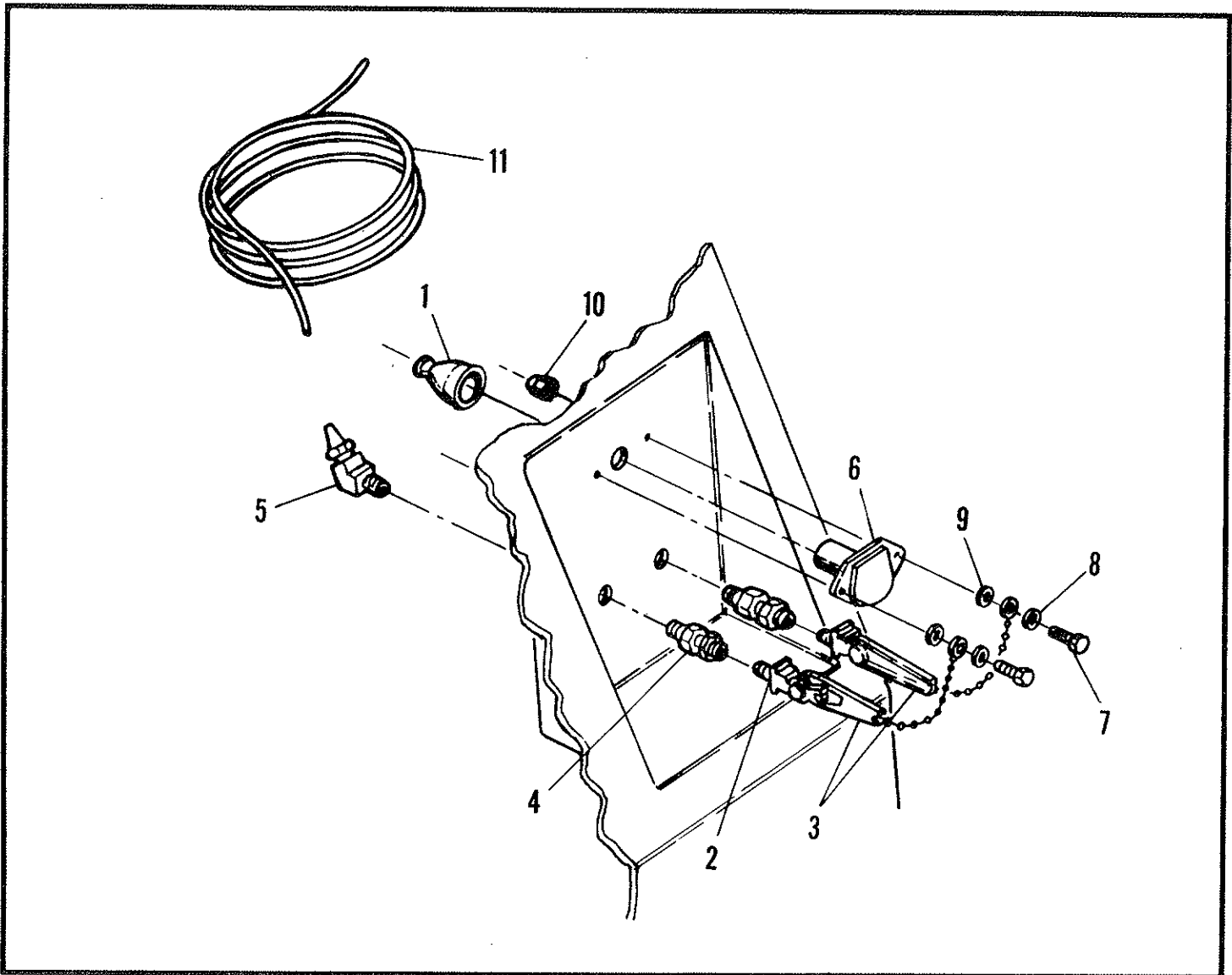
REF. NO.	NO. REQ'D	PART NUMBER	DESCRIPTION
1	1	0302346	CYL., LIFT, 5" BORE X 31" STR (COMPLETE) LEFT
2	1	0302347	CYL. LIFT, 5" BORE X 31" STR (COMPLETE) RIGHT
3	1	0304460	SEAL KIT, LIFT CYLINDER



**WRECKER BOOM EXT./RET. CYLINDER**

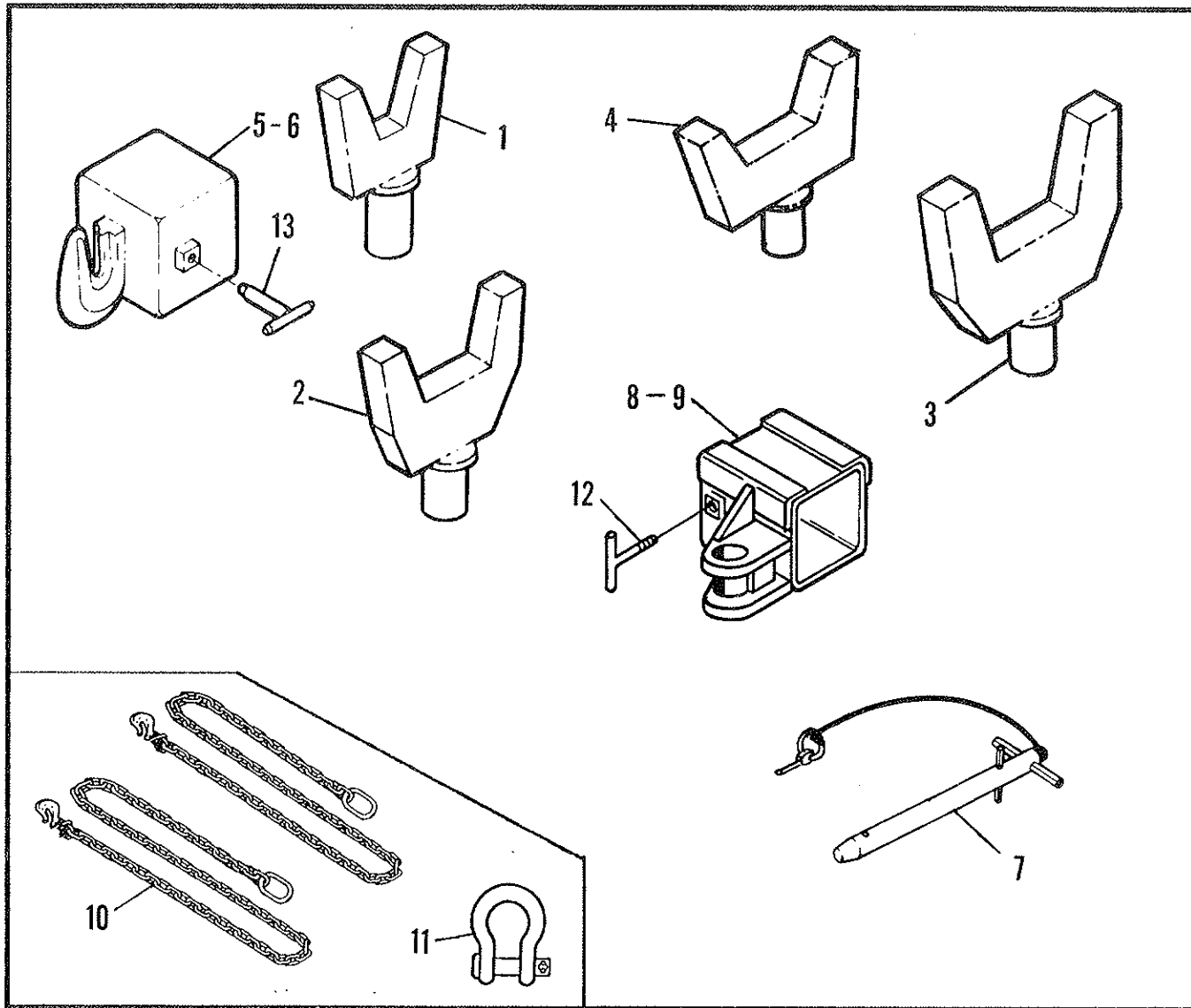
REF. NO.	NO. REQ'D	PART NUMBER	DESCRIPTION
1	1	0302614	EXTEND, CYLINDER (COMPLETE)
2	1	0304458	SEAL KIT, EXTEND CYLINDER

# Section VII-PARTS-GLAD HAND ASSEMBLY



REF. NO.	NO. REQ'D	PART NUMBER	DESCRIPTION
1	1	0301909	RECEPTACLE BOOT
2	2	0301944	GLAD HAND COUPLING, UNIV.
3	2	0301945	GLAD HAND PLUG
4	2	0301946	BULKHEAD CONNECTOR
5	2	0301947	45 DEG. ADAPTOR 1/4NPM-3/8
6	1	0301948	HD 7 WAY TRAILER CONNECT
7	2	0400070	1/4-20X1" HHCS GR5 ZP
8	2	0400463	5/16" FLATWASHER ZP
9	2	0400451	1/4" FLATWASHER ZP
10	2	0400367	1/4-20 NYLOK HEX NUT ZP
11	2	0703795	AIR HOSE-3/8 SYN FLEX

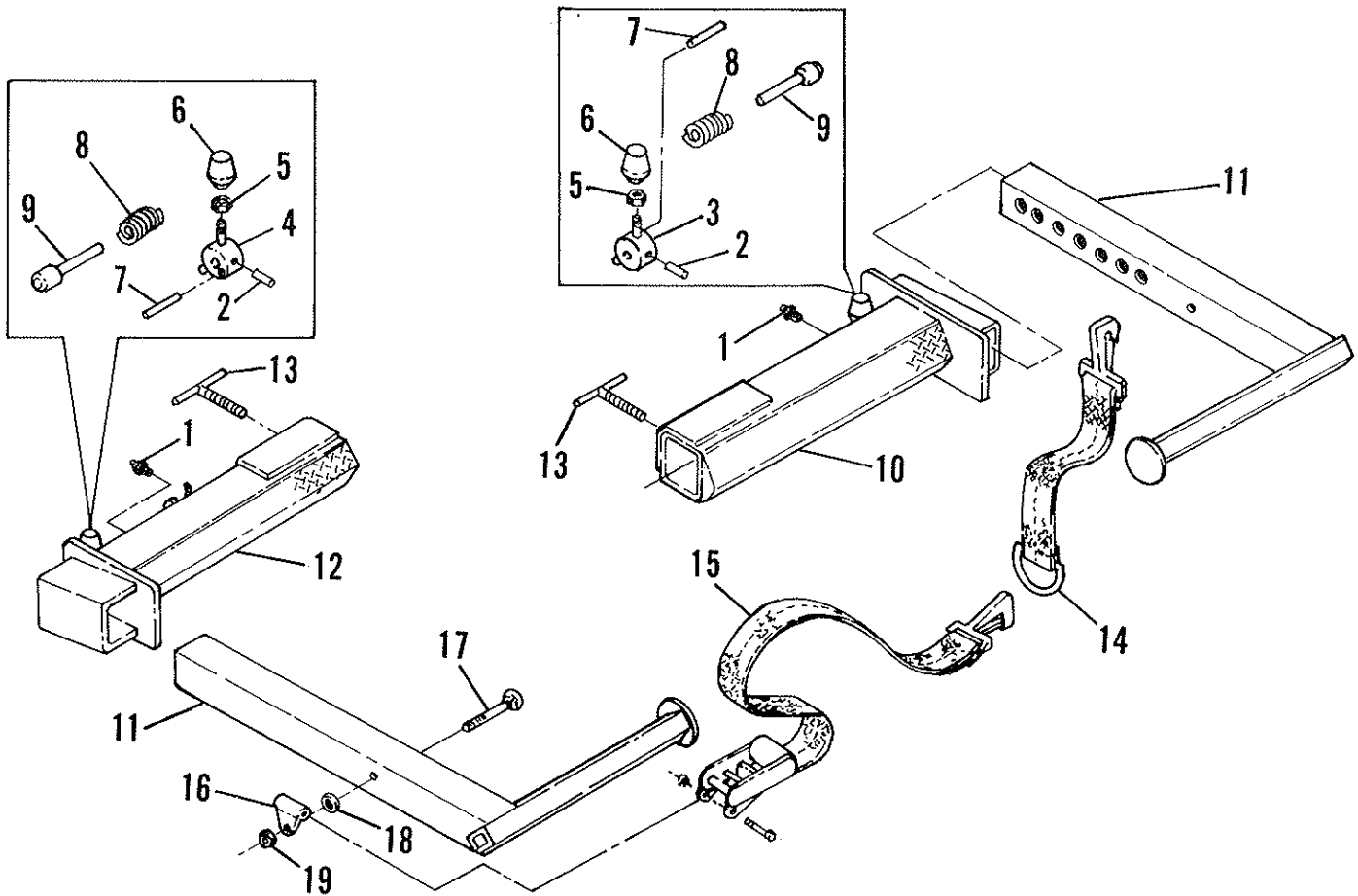
## Section VII-PARTS-LIFT ADAPTORS



REF. NO.	NO. REQ'D	PART NUMBER	DESCRIPTION
1	2	0800858	FORK WELDMENT, SHORT (3" OPENING)
2	2	0800857	FORK WELDMENT, MEDIUM (3" OPENING)
3	2	0801088	FORK WELDMENT, LONG (4-1/2" OPENING)
4	2	0801087	FORK WELDMENT MEDIUM (4-1/2" OPENING)
5	1	0802252	CHAIN HOOK ADAPTOR, R.H.
6	1	0802251	CHAIN HOOK ADAPTOR, L.H.
7	2	0902378	RETAINER PIN, SPRING LIFT BRACKET
8	1	0802249	LEFT FORK ADAPTOR
9	1	0802250	RIGHT FORK ADAPTOR (SHOWN)
10	2	0302655	SAFETY CHAINS
11	1	0302656	ANCHOR SHACKLE
12	2	0800590	TEE HANDLE
13	2	0801184	TEE HANDLE

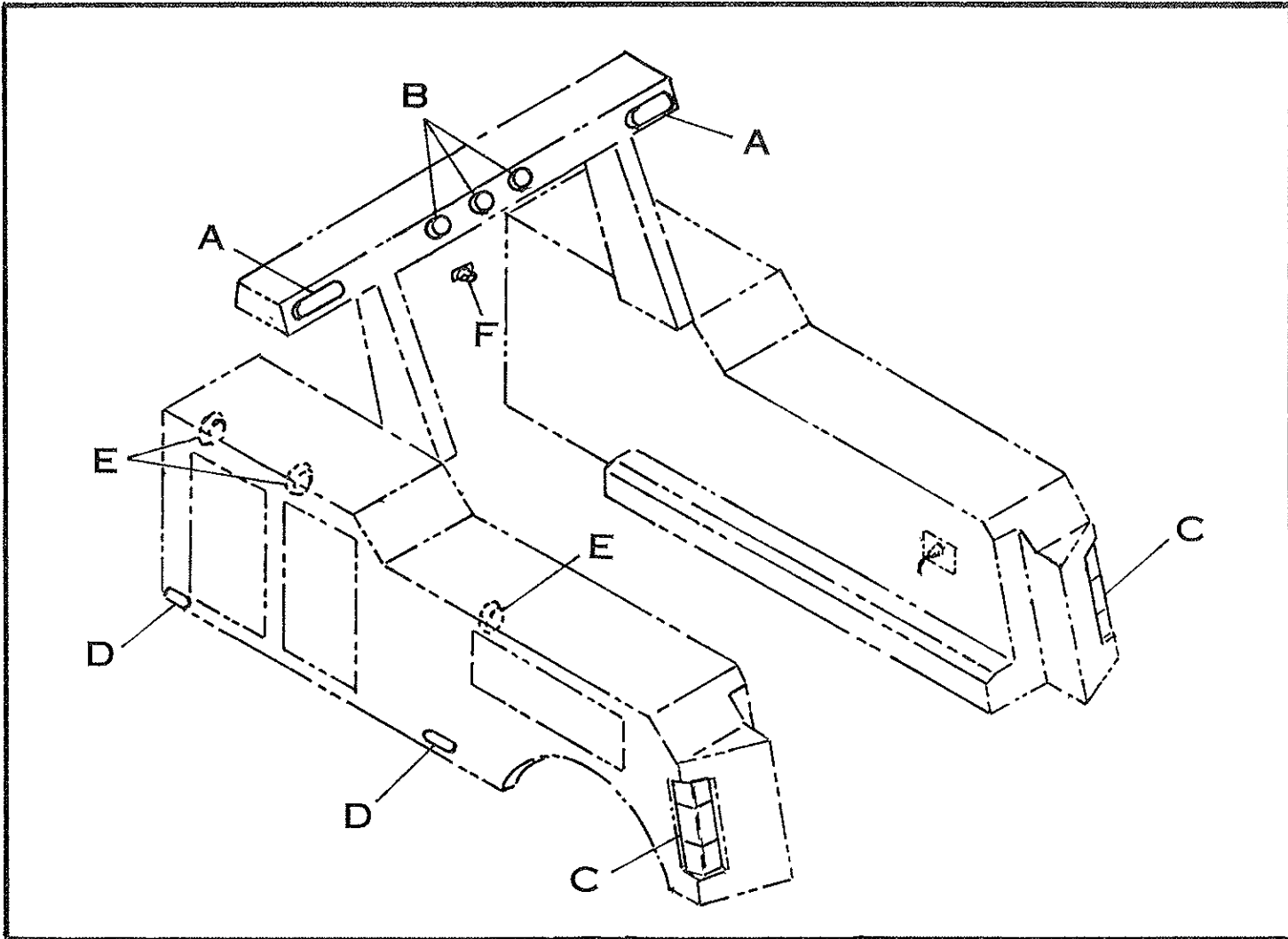
# Section VII-PARTS

## OUTER CROSS TUBE & SLIDE-IN TIRE RESTRAINT ASS'Y



REF. NO.	NO. REQ'D	PART NUMBER	DESCRIPTION
1	2	0300113	GREASE FITTING (STR.)
2	2	0400560	ROLL PIN
3	1	0802070	RIGHT PLUNGER HANDLE
4	1	0802069	LEFT PLUNGER HANDLE
5	2	0400393	JAM NUT
6	2	0300341	KNOB
7	2	0400559	ROLL PIN
8	2	0301417	PLUNGER SPRING
9	2	0701916	PLUNGER
10	1	0802232	CROSSTUBE, R.H.-OUTER
11	2	0800841	TIRE RESTRAINT
12	1	0802231	CROSSTUBE, L.H.-OUTER
13	2	0800590	"T" HANDLE
14	2	0301681	BELT EXTENSION
15	2	0301682	RATCHET ASSEMBLY
16	2	0800839	PIVOT BRACKET
17	2	0400269	CARRIAGE BOLT
18	2	0400505	5/8" FLATWASHER
19	2	0400421	5/8" LOCKNUT

# Section VII-PARTS-LIGHT KIT



**A**

**STOP & TURN LIGHT**

1. LENS & BULB ASSY	0304125
2. GROMMET & PLUG KIT	0304126
3. CHROME BEZEL	0304124
4. BEZEL MTG. SCREW	0304123
5. LIGHT, TURN (COMPLETE)	0301390

**B**

**MARKER LIGHTS-RED & AMBER**

1. LENS & BULB, RED MARKER	0301741
2. LENS & BULB, AMBER MARKER	0301742
3. GROMMET & PLUG, MARKER LIGHT	0301740

# Section VII-PARTS-LIGHT KIT

**C**

**STOP & TURN/BACK-UP LIGHTS**

1. LIGHT, STOP & TURN (CPL)	0302542
2. LIGHT, BACK-UP (CPL)	0302543
3. BULB, STOP & TURN	(NOT AVAILABLE)
4. BULB, BACK-UP	(NOT AVAILABLE)
5. LENS, STOP & TURN (RED)	0302542
6. LENS, BACK-UP (CLEAR)	0302543
7. SCREW, LENS	0400025

**F**

**LICENSE PLATE ILLUMINATOR**

1. LICENSE PLATE ILLUM. (CPL)	0300273
2. BULB, LICENSE PLATE ILLUM.	0300512

**D**

**FLOOD LIGHT**

1. LIGHT, FLOOD, (CPL)	0302201
------------------------	---------

**E**

**DOME LIGHT**

1. DOME LIGHT (CPL)	0302544
---------------------	---------





**CENTURY®**

1-75 at Ooltewah Exit #11 • 8503 Hilltop Drive • Ooltewah, Tennessee 37363 • (615) 238-4171

Mailing Address: P.O. Box 120 • Ooltewah, Tennessee 37363 • Telex: 856967 CENWKRTN UD • FAX (615) 238-5371