

CENTURY[®]



OWNER'S MANUAL

3212 GEN 2 PARTS

**NOTE: MANUAL including SPECIFICATIONS subject to change without notice.
All ratings specified are based on structural factors only, not vehicle capacities or capabilities.**

Miller Industries Towing Equipment Inc.
8503 Hilltop Drive
Ooltewah, Tennessee 37363
Phone (423) 238-4171 • FAX (423) 238-5371

FORM NO. 05002724
02 / 2020
PRICE \$25.00

LIMITED WARRANTY

MILLER INDUSTRIES TOWING EQUIPMENT INC., hereinafter referred to as MILLER, warrants to the original purchaser that each new MILLER wrecker or other MILLER products will be free from defects in material and workmanship for a period of twelve (12) months from date placed in service, but in no event shall such warranty period exceed twenty-four (24) months from date of manufacture by MILLER. The purchaser must promptly notify MILLER in writing of any failure in material or workmanship. In no event shall MILLER accept such notification later than twenty-four (24) months from date of delivery or twelve (12) months from date placed in service, whichever is earlier.

MILLER's obligation under this warranty, statutory or otherwise, is limited to the repair or replacement at the MILLER factory, or at a point designated by MILLER, of such part or parts as shall appear upon inspection by MILLER to be defective in material or workmanship. New or remanufactured parts will be used for any replacement at MILLER's option. This warranty is not transferable. This warranty does not obligate MILLER to bear the cost of labor or transportation charges in connection with the repair or replacement of any parts found to be defective, nor shall it apply to a product upon which repairs or alterations have been made unless authorized by MILLER.

EXCEPT AS EXPRESSLY SET FORTH IN THIS WARRANTY, MILLER MAKES NO OTHER WARRANTY, EXPRESS OR IMPLIED, AND HEREBY DISCLAIMS ALL OTHER WARRANTIES INCLUDING, BUT NOT LIMITED TO, THE IMPLIED WARRANTIES OF MERCHANTABILITY AND FITNESS FOR A PARTICULAR PURPOSE. MILLER shall in no event be liable for claimed downtime, claimed loss of profits or goodwill, or any other special, incidental, indirect, or consequential damages concerning or relating to any product or parts, whether based on negligence, strict liability, breach of contract, breach of warranty, misrepresentation or any other legal theory, regardless of whether the loss resulted from any general or particular requirement which MILLER knew or had reason to know about at the time of sale.

MILLER MAKES NO WARRANTY, EXPRESS OR IMPLIED, AS TO THE FINISHED PRODUCTS MANUFACTURED OR SUPPLIED BY ANOTHER MANUFACTURER AND SUPPLIED BY MILLER TO PURCHASER, including, but not limited to, any vehicle to which a MILLER product may be affixed or any accessories or wire rope, and MILLER EXPRESSLY DISCLAIMS ANY IMPLIED WARRANTIES OF MERCHANTABILITY OR FITNESS FOR A PARTICULAR PURPOSE AS TO SUCH EQUIPMENT OR PRODUCTS. This language shall in no way affect or diminish the rights of the purchaser to rely on such warranties as are extended by such manufacturers or suppliers. MILLER shall, to the extent permitted under applicable law, pass on to the purchaser such manufacturer's or seller's warranty.

MILLER, whose policy is one of continuous improvement, reserves the right to improve its products through changes in design or materials as it may deem desirable without being obligated to incorporate such changes in products previously sold. This warranty is not intended to cover or include the following items, which are set forth by way of example and not limitation:

- A. Normal deterioration of trim, paint, lettering, and appearance items due to wear or exposure to weather, road conditions, road treatments, etc.
- B. Any damage or defect due to accident, misuse, abuse, improper or unauthorized repairs, failure to provide reasonable and necessary maintenance, or uses for which the equipment was not designed or intended.
- C. Alterations or modifications that affect performance, operation or reliability.
- D. Normal maintenance parts including, but not limited to, wear pads, bushings, wire rope, mud flaps, fenderettes, light bulbs, hydraulic oil, filters, and tow sling belts.

IT IS EXPRESSLY UNDERSTOOD THAT MILLER MAKES NO IMPLIED WARRANTY THAT MILLER PRODUCTS SHALL BE FIT FOR THE PURPOSE OF LIFTING OR MOVING PEOPLE OR FOR ANY OTHER IMPROPER USE.



Miller Industries Towing Equipment Inc.
8503 Hilltop Drive
Ooltewah, Tennessee 37363
Telephone (423) 238-4171

SERIAL NUMBER

OWNER, USER AND OPERATOR:

We appreciate your choice of our towing and recovery unit for your application. Our number one priority is user safety which is best achieved by our joint efforts. We feel that you can make a major contribution to safety if you, as the equipment owner and operator:

- 1. Comply with Federal, State, and Local Regulations.**
- 2. Read, Understand, and Follow the Instructions in this Manual.**
- 3. Use Good, Safe Work Practices in a Common Sense Way.**
- 4. Only have Authorized and Trained Personnel performing maintenance on the Towing and Recovery Unit.**

TABLE OF CONTENTS

It is assumed by the manufacturer that the Owner/Operator has a thorough knowledge of the accepted and lawful retrieval and towing methods as dictated by his city, county or state. The manufacturer rejects any liability claim that may result from the incorrect or unlawful application of its equipment.

Section I - PARTS

0911729, 3212/V30 LONG TOWER SUBFRAME ASSEMBLY	I-2 thru I-21
0911950, VALVE ASSEMBLY WALVOIL 3212/V30	I-22 thru I-31
0911730, 3212/V30 LONG TOWER BOOM ASSEMBLY	I-32 thru I-43
0906572, WINCH CABLE STOW KIT	I-44 & I-45
3014-930000, INNER BOOM ASSEMBLY	I-46 thru I-49
3014-931000, SHEAVE ASSEMBLY	I-50 & I-51
0911841, 3212/V30 GEN2 UNDERLIFT BOOM ASSEMBLY	I-52 thru I-57
0911829, 3212/V30 GEN2 CROSSBAR ASSEMBLY	I-58 & I-59
3014-960200, 3212/V30 CROSSBAR EXTENSION ASSEMBLY	I-60 & I-61
09015090, 3212 GEN2 W/REAR OUTRIGGER KIT	I-62 thru I-81

TABLE OF CONTENTS

Section I - PARTS

0910320, LH PIVOT CROSSTUBE I-82 & I-83

0910321, RH PIVOT CROSSTUBE I-84 & I-85

0910535, MANIFOLD PACKAGE 16 VALVE 12V DC I-86 & I-87

0911460, REAR OUTRIGGER KIT I-88 & I-89

0911461, LH REAR OUTRIGGER ASSEMBLY I-90 thru I-97

0911462, RH REAR OUTRIGGER ASSEMBLY I-98 thru I-105

0911708, LH CONTROL 3212/V30 I-106 thru I-109

0911709, RH CONTROL 3212/V30 I-110 thru I-113

0911728, 3212/V30 LONG TOWER CENTER SECTION I-114 thru I-123

0911804, AIR REGULATOR-GAUGE ASSEMBLY I-124 & I-125

Section I - PARTS

REF. 05002724

This Section is provided by the manufacturer for the purpose of ordering any component part of the **Century 3212 GEN 2 Recovery Unit** that may be required when part replacement is necessary. Be certain to use only original equipment replacement parts for warranty purposes as well as for keeping your unit in its original state and optimum operating capacities.

When ordering replacement or spare parts be sure to provide the following information to the manufacturer's **Parts Department**.

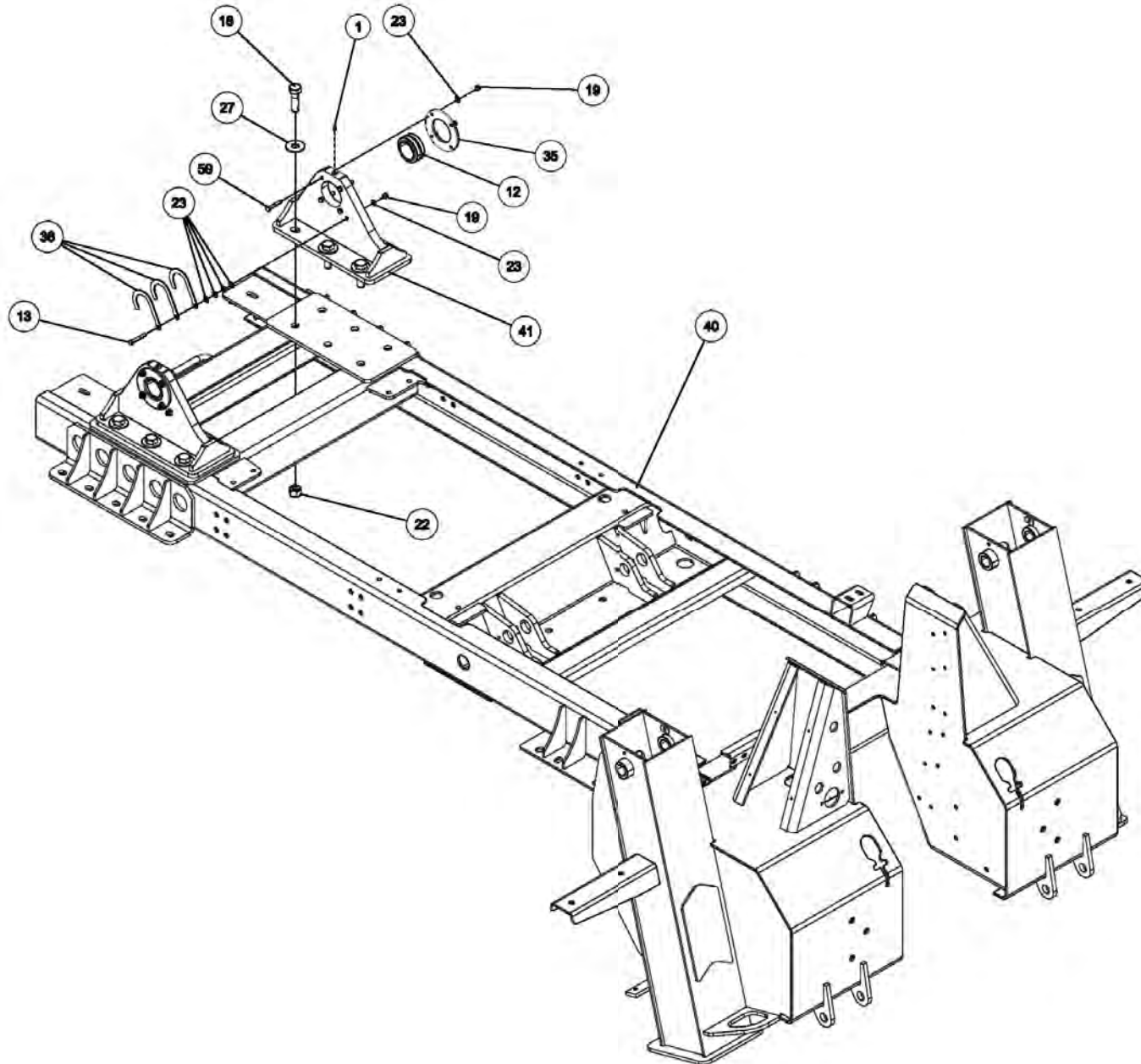
1. **Manual Number & Date of Publication**
2. **Manual Page Number**
3. **Page Title**
4. **Reference Number of Part Desired**
5. **Part Number**
6. **Part Description**
7. **Quantity of Part Desired**
8. **Unit Serial Number**

Providing this information will help ensure that the correct parts will be delivered to you in an expedient manner without delay. Should additional information be required for repair or replacement of certain components, contact your Wrecker Manufacturer Authorized Representative.

The Manufacturer reserves the right, without notice or obligation, to improve or modify their products, which may change the specifications, models and feature availability.

Section I - PARTS

0911729, 3212/V30 LONG TOWER SUBFRAME ASSEMBLY



Section I - PARTS

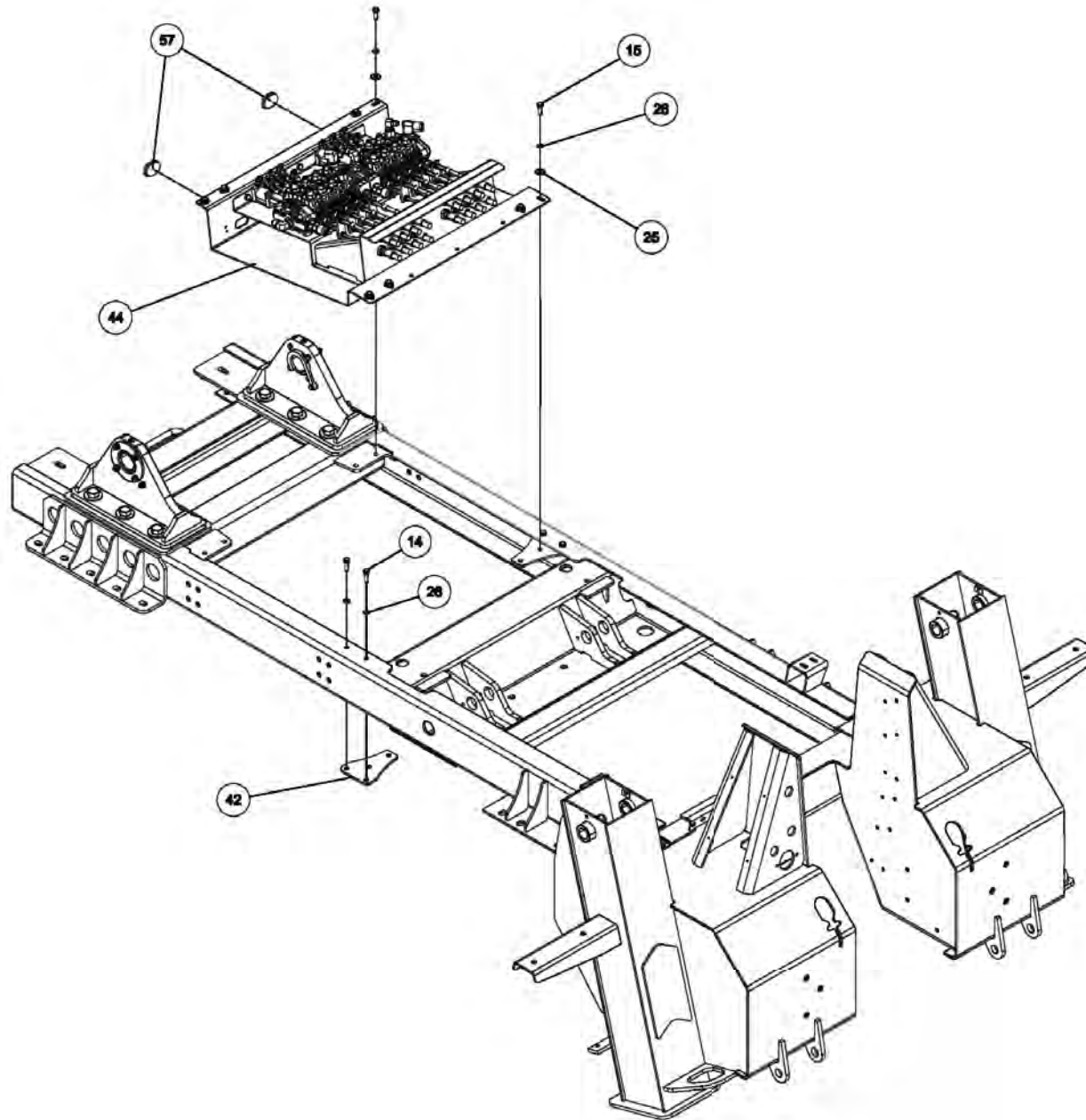
0911729, 3212/V30 LONG TOWER SUBFRAME ASSEMBLY (cont'd)

ITEM	PART NUMBER	DESCRIPTION	QTY
1	0300113	GREASE FITTING, 1/4-28 STR	2
2	0301522	ADAPTER, 6MJ-6MB	4
3	0301998	HOSE HYD, 24" LG	2
4	0302000	HOSE HYD, 24"	2
5	0302514	ADAPTER 8MJ-6MJ	8
6	0302575	FITTING-BULKHEAD RUN TEE	2
7	0302604	HOSE HYD, 44"	1
8	0303155	PIPE PLUG 3/4 NPT MAGNETIC	2
9	0303948	ELBOW, 12MJ-16MB90	2
10	0307383	CHAIN ASSY 5/16 G7 X 12'	2
11	0310296	FILTR HEAD ASSY W' ELEMENT	2
12	0312276	BEARING - BOOM PIVOT	2
13	0400111	SCREW, 5/16-18X2 HHC GR5	2
14	0400122	SCREW, 3/8-16X1-1/4 HHC GR5	12
15	0400126	SCREW, 3/8-16X1 HHC GR5	20
16	0400141	SCREW, 3/8-16X7/8 HHC GR5	2
17	0400184	SCREW, 1/2-13X2-1/4 HHC GR8	8
18	0400288	SCREW, 3/4-10X2-1/2 HHC GR8	12
19	0400382	NUT, 5/16-18 LOK	34
20	0400392	NUT, 3/8-16 LOK	15
21	0400416	NUT, 1/2-13 LOK GR8	16
22	0400431	NUT, 3/4-10 LOK GR8	12
23	0400463	WASHER, 5/16	18
24	0400479	WASHER, 1-1/2X0.125 SHIM	8
25	0400480	WASHER, 3/8	26
26	0400482	LKWASHER, 3/8	19
27	0400489	WASHER, 3/4 SAE GR8	12
28	0400497	WASHER, 1/2 GR8	8
29	0400633	SCREW, 1/2-13X1-1/2 HHC GR8	8
30	0402021	SCREW, 1/4-20X1 HHC SS	8

ITEM	PART NUMBER	DESCRIPTION	QTY
31	0402110	WASHER, 1/4 SS	8
32	0402111	LKWASHER, 1/4 SS	8
33	0719840	BAR, SPACER - OIL RESERVOIR	4
34	0725762	PLATE - RESERVOIR MTG	4
35	0725768	RETAINING RING PLATE	2
36	0726045	SPACER - RECOVERY BOOM	6
37	08006228	L-ARM TUBE, 3212 RH	1
38	08006229	L-ARM TUBE, 3212 LH	1
39	0810239	HYD TANK WLMT - DUAL V30/3212	2
40	0810286	SUBFRAME WLMT - 3212/V30	1
41	0810289	PIVOT BLOCK WLMT	2
42	0810495	VALVE MTG PLATE WLMT	2
43	0902842	KIT - "D" RING	1
44	0911950	VALVE ASSY - WV 3212/V30	1
45	3012-791010	LH PANEL - CHAIN BOX 3014-9100	1
46	3012-791011	RH PANEL - CHAIN BOX 3014-9100	1
47	3012-801000	PIN WELD'- LIFT CYL UP.& LOWER	2
48	3012-810700	BRACKET WELD'T - BULKHEAD	1
49	3014-791004	PLATE - COVER	2
50	511-4000001	CYL, HYD - BOOM LIFT 26.75" ST	2
51	516-0806700	TUBE ASSY -HYD ON SUBFRAME	4
52	566-0820000	2-TUBE CLAMP SET 1/2" STAUFF	2
53	566-0840000	4-TUBE CLAMP SET 1/2 STAUFF	2
54	806030005	LH BOOM GUIDE PAD - BODY ASSY	2
55	806030006	RH BOOM GUIDE PAD - BODY ASSY	2
56	810770015	HOSE 29" 4M2T 6FJX90S-6FJX	1
57	8603413	DECK PLATE PLUG	2
58	9018131	BREATHER CAP (LUCAS) 3/4	2
59	9041108	5/16 NC X 1 3/4 HHCS PL GR8	8
60	9043973	5/16-18X1 1/2 FL.HD.SOC.	24

Section I - PARTS

0911729, 3212/V30 LONG TOWER SUBFRAME ASSEMBLY (cont'd)



Section I - PARTS

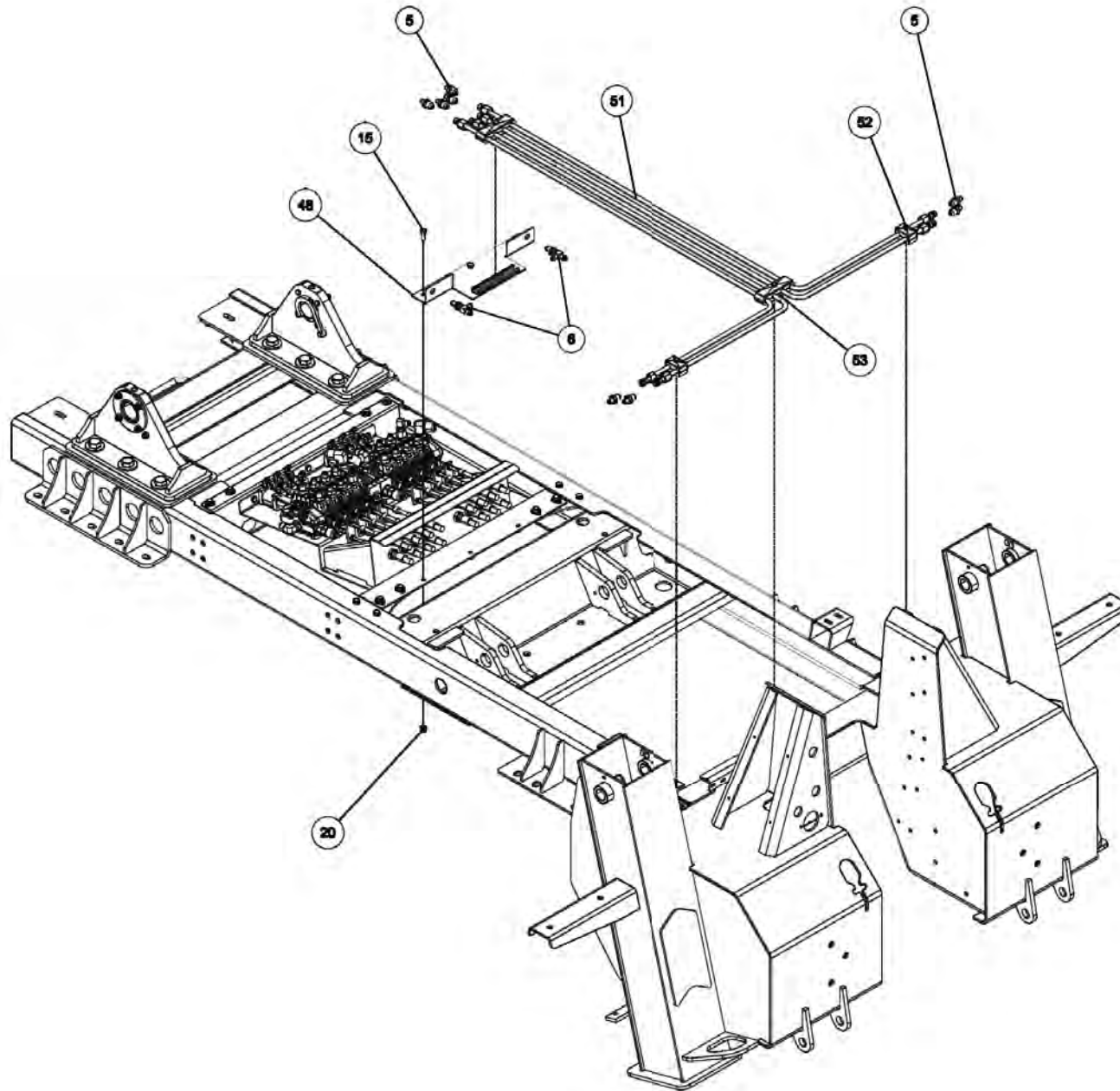
0911729, 3212/V30 LONG TOWER SUBFRAME ASSEMBLY (cont'd)

ITEM	PART NUMBER	DESCRIPTION	QTY
1	0300113	GREASE FITTING, 1/4-28 STR	2
2	0301522	ADAPTER, 6MJ-6MB	4
3	0301998	HOSE HYD, 24" LG	2
4	0302000	HOSE HYD, 24"	2
5	0302514	ADAPTER 8MJ-6MJ	8
6	0302575	FITTING-BULKHEAD RUN TEE	2
7	0302604	HOSE HYD, 44"	1
8	0303155	PIPE PLUG 3/4 NPT MAGNETIC	2
9	0303948	ELBOW, 12MJ-16MB90	2
10	0307383	CHAIN ASSY 5/16 G7 X 12'	2
11	0310296	FILTR HEAD ASSY W' ELEMENT	2
12	0312276	BEARING - BOOM PIVOT	2
13	0400111	SCREW, 5/16-18X2 HHC GR5	2
14	0400122	SCREW, 3/8-16X1-1/4 HHC GR5	12
15	0400126	SCREW, 3/8-16X1 HHC GR5	20
16	0400141	SCREW, 3/8-16X7/8 HHC GR5	2
17	0400184	SCREW, 1/2-13X2-1/4 HHC GR8	8
18	0400288	SCREW, 3/4-10X2-1/2 HHC GR8	12
19	0400382	NUT, 5/16-18 LOK	34
20	0400392	NUT, 3/8-16 LOK	15
21	0400416	NUT, 1/2-13 LOK GR8	16
22	0400431	NUT, 3/4-10 LOK GR8	12
23	0400463	WASHER, 5/16	18
24	0400479	WASHER, 1-1/2X0.125 SHIM	8
25	0400480	WASHER, 3/8	26
26	0400482	LKWASHER, 3/8	19
27	0400489	WASHER, 3/4 SAE GR8	12
28	0400497	WASHER, 1/2 GR8	8
29	0400633	SCREW, 1/2-13X1-1/2 HHC GR8	8
30	0402021	SCREW, 1/4-20X1 HHC SS	8

ITEM	PART NUMBER	DESCRIPTION	QTY
31	0402110	WASHER, 1/4 SS	8
32	0402111	LKWASHER, 1/4 SS	8
33	0719840	BAR, SPACER - OIL RESERVOIR	4
34	0725762	PLATE - RESERVOIR MTG	4
35	0725768	RETAINING RING PLATE	2
36	0726045	SPACER - RECOVERY BOOM	6
37	08006228	L-ARM TUBE, 3212 RH	1
38	08006229	L-ARM TUBE, 3212 LH	1
39	0810239	HYD TANK WLMT - DUAL V30/3212	2
40	0810286	SUBFRAME WLMT - 3212/V30	1
41	0810289	PIVOT BLOCK WLMT	2
42	0810495	VALVE MTG PLATE WLMT	2
43	0902842	KIT - "D" RING	1
44	0911950	VALVE ASSY - WV 3212/V30	1
45	3012-791010	LH PANEL - CHAIN BOX 3014-9100	1
46	3012-791011	RH PANEL - CHAIN BOX 3014-9100	1
47	3012-801000	PIN WELD'- LIFT CYL UP.& LOWER	2
48	3012-810700	BRACKET WELD'T - BULKHEAD	1
49	3014-791004	PLATE - COVER	2
50	511-4000001	CYL, HYD - BOOM LIFT 26.75" ST	2
51	516-0806700	TUBE ASSY -HYD ON SUBFRAME	4
52	566-0820000	2-TUBE CLAMP SET 1/2" STAUFF	2
53	566-0840000	4-TUBE CLAMP SET 1/2 STAUFF	2
54	806030005	LH BOOM GUIDE PAD - BODY ASSY	2
55	806030006	RH BOOM GUIDE PAD - BODY ASSY	2
56	810770015	HOSE 29" 4M2T 6FJX90S-6FJX	1
57	8603413	DECK PLATE PLUG	2
58	9018131	BREATHER CAP (LUCAS) 3/4	2
59	9041108	5/16 NC X 1 3/4 HHCS PL GR8	8
60	9043973	5/16-18X1 1/2 FL.HD.SOC.	24

Section I - PARTS

0911729, 3212/V30 LONG TOWER SUBFRAME ASSEMBLY (cont'd)



Section I - PARTS

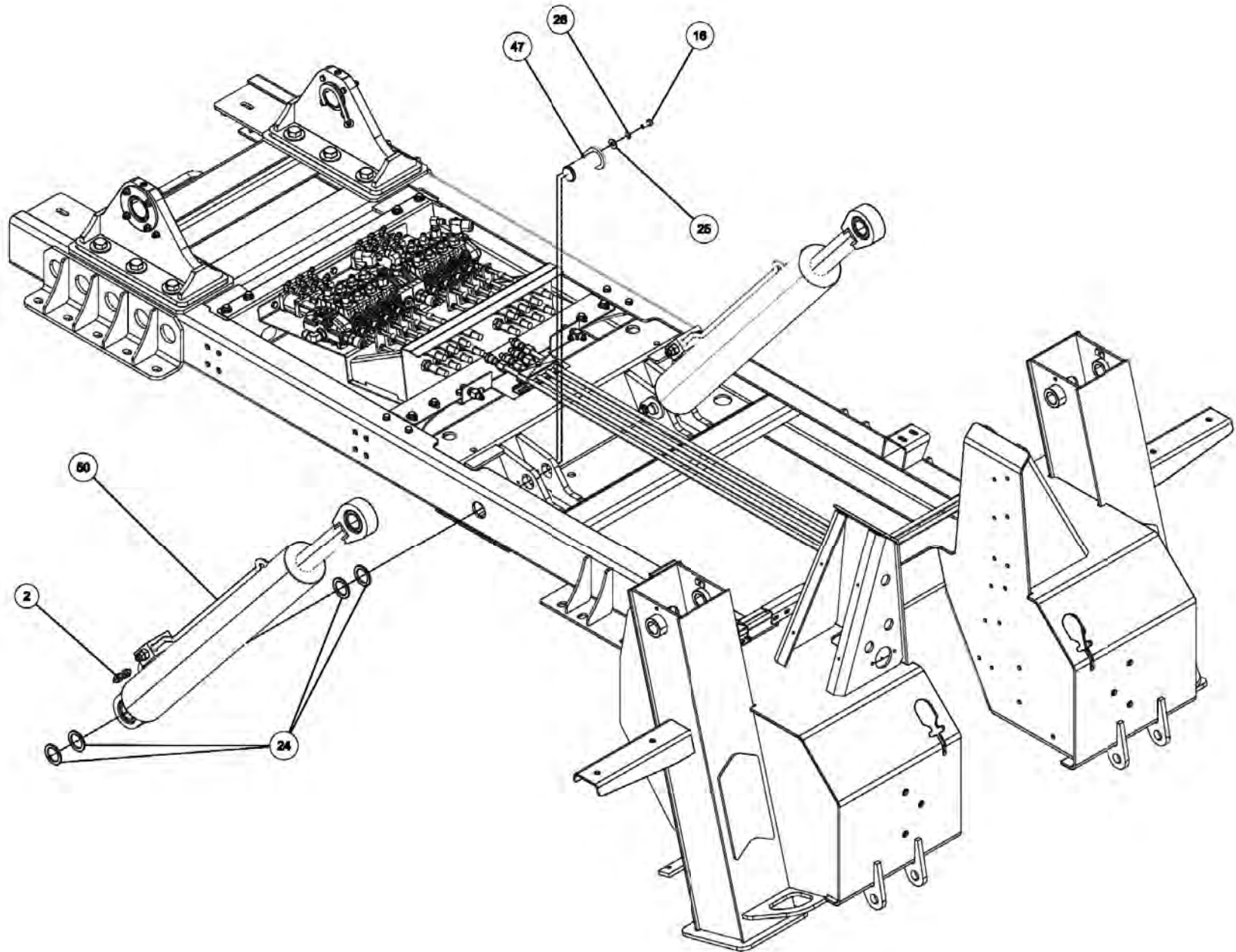
0911729, 3212/V30 LONG TOWER SUBFRAME ASSEMBLY (cont'd)

ITEM	PART NUMBER	DESCRIPTION	QTY
1	0300113	GREASE FITTING, 1/4-28 STR	2
2	0301522	ADAPTER, 6MJ-6MB	4
3	0301998	HOSE HYD, 24" LG	2
4	0302000	HOSE HYD, 24"	2
5	0302514	ADAPTER 8MJ-6MJ	8
6	0302575	FITTING-BULKHEAD RUN TEE	2
7	0302604	HOSE HYD, 44"	1
8	0303155	PIPE PLUG 3/4 NPT MAGNETIC	2
9	0303948	ELBOW, 12MJ-16MB90	2
10	0307383	CHAIN ASSY 5/16 G7 X 12'	2
11	0310296	FILTR HEAD ASSY W' ELEMENT	2
12	0312276	BEARING - BOOM PIVOT	2
13	0400111	SCREW, 5/16-18X2 HHC GR5	2
14	0400122	SCREW, 3/8-16X1-1/4 HHC GR5	12
15	0400126	SCREW, 3/8-16X1 HHC GR5	20
16	0400141	SCREW, 3/8-16X7/8 HHC GR5	2
17	0400184	SCREW, 1/2-13X2-1/4 HHC GR8	8
18	0400288	SCREW, 3/4-10X2-1/2 HHC GR8	12
19	0400382	NUT, 5/16-18 LOK	34
20	0400392	NUT, 3/8-16 LOK	15
21	0400416	NUT, 1/2-13 LOK GR8	16
22	0400431	NUT, 3/4-10 LOK GR8	12
23	0400463	WASHER, 5/16	18
24	0400479	WASHER, 1-1/2X0.125 SHIM	8
25	0400480	WASHER, 3/8	26
26	0400482	LKWASHER, 3/8	19
27	0400489	WASHER, 3/4 SAE GR8	12
28	0400497	WASHER, 1/2 GR8	8
29	0400633	SCREW, 1/2-13X1-1/2 HHC GR8	8
30	0402021	SCREW, 1/4-20X1 HHC SS	8

ITEM	PART NUMBER	DESCRIPTION	QTY
31	0402110	WASHER, 1/4 SS	8
32	0402111	LKWASHER, 1/4 SS	8
33	0719840	BAR, SPACER - OIL RESERVOIR	4
34	0725762	PLATE - RESERVOIR MTG	4
35	0725768	RETAINING RING PLATE	2
36	0726045	SPACER - RECOVERY BOOM	6
37	08006228	L-ARM TUBE, 3212 RH	1
38	08006229	L-ARM TUBE, 3212 LH	1
39	0810239	HYD TANK WLMT - DUAL V30/3212	2
40	0810286	SUBFRAME WLMT - 3212/V30	1
41	0810289	PIVOT BLOCK WLMT	2
42	0810495	VALVE MTG PLATE WLMT	2
43	0902842	KIT - "D" RING	1
44	0911950	VALVE ASSY - WV 3212/V30	1
45	3012-791010	LH PANEL - CHAIN BOX 3014-9100	1
46	3012-791011	RH PANEL - CHAIN BOX 3014-9100	1
47	3012-801000	PIN WELD'- LIFT CYL UP.& LOWER	2
48	3012-810700	BRACKET WELD'T - BULKHEAD	1
49	3014-791004	PLATE - COVER	2
50	511-4000001	CYL, HYD - BOOM LIFT 26.75" ST	2
51	516-0806700	TUBE ASSY -HYD ON SUBFRAME	4
52	566-0820000	2-TUBE CLAMP SET 1/2" STAUFF	2
53	566-0840000	4-TUBE CLAMP SET 1/2 STAUFF	2
54	806030005	LH BOOM GUIDE PAD - BODY ASSY	2
55	806030006	RH BOOM GUIDE PAD - BODY ASSY	2
56	810770015	HOSE 29" 4M2T 6FJX90S-6FJX	1
57	8603413	DECK PLATE PLUG	2
58	9018131	BREATHER CAP (LUCAS) 3/4	2
59	9041108	5/16 NC X 1 3/4 HHCS PL GR8	8
60	9043973	5/16-18X1 1/2 FL.HD.SOC.	24

Section I - PARTS

0911729, 3212/V30 LONG TOWER SUBFRAME ASSEMBLY (cont'd)



Section I - PARTS

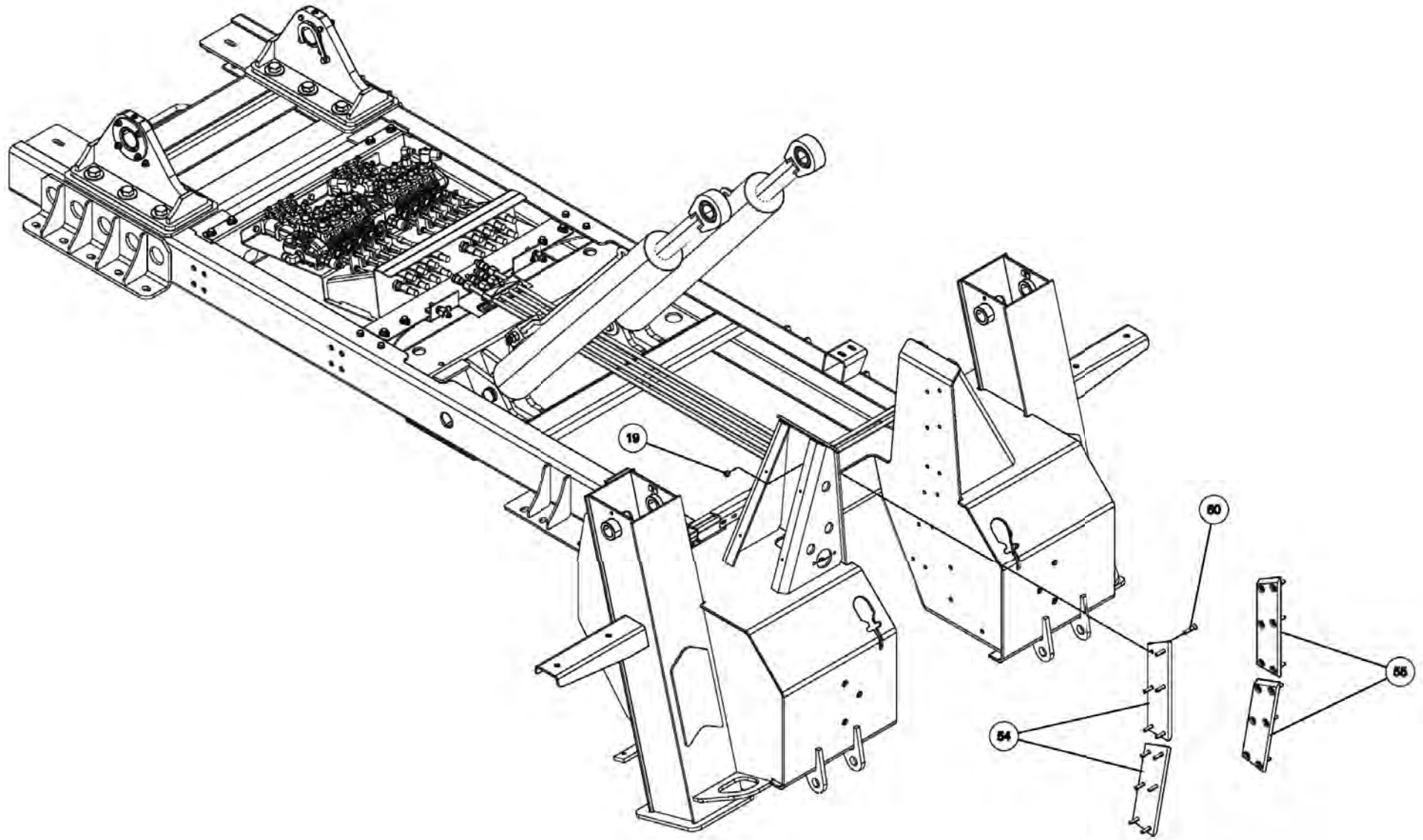
0911729, 3212/V30 LONG TOWER SUBFRAME ASSEMBLY (cont'd)

ITEM	PART NUMBER	DESCRIPTION	QTY
1	0300113	GREASE FITTING, 1/4-28 STR	2
2	0301522	ADAPTER, 6MJ-6MB	4
3	0301998	HOSE HYD, 24" LG	2
4	0302000	HOSE HYD, 24"	2
5	0302514	ADAPTER 8MJ-6MJ	8
6	0302575	FITTING-BULKHEAD RUN TEE	2
7	0302604	HOSE HYD, 44"	1
8	0303155	PIPE PLUG 3/4 NPT MAGNETIC	2
9	0303948	ELBOW, 12MJ-16MB90	2
10	0307383	CHAIN ASSY 5/16 G7 X 12'	2
11	0310296	FILTR HEAD ASSY W' ELEMENT	2
12	0312276	BEARING - BOOM PIVOT	2
13	0400111	SCREW, 5/16-18X2 HHC GR5	2
14	0400122	SCREW, 3/8-16X1-1/4 HHC GR5	12
15	0400126	SCREW, 3/8-16X1 HHC GR5	20
16	0400141	SCREW, 3/8-16X7/8 HHC GR5	2
17	0400184	SCREW, 1/2-13X2-1/4 HHC GR8	8
18	0400288	SCREW, 3/4-10X2-1/2 HHC GR8	12
19	0400382	NUT, 5/16-18 LOK	34
20	0400392	NUT, 3/8-16 LOK	15
21	0400416	NUT, 1/2-13 LOK GR8	16
22	0400431	NUT, 3/4-10 LOK GR8	12
23	0400463	WASHER, 5/16	18
24	0400479	WASHER, 1-1/2X0.125 SHIM	8
25	0400480	WASHER, 3/8	26
26	0400482	LKWASHER, 3/8	19
27	0400489	WASHER, 3/4 SAE GR8	12
28	0400497	WASHER, 1/2 GR8	8
29	0400633	SCREW, 1/2-13X1-1/2 HHC GR8	8
30	0402021	SCREW, 1/4-20X1 HHC SS	8

ITEM	PART NUMBER	DESCRIPTION	QTY
31	0402110	WASHER, 1/4 SS	8
32	0402111	LKWASHER, 1/4 SS	8
33	0719840	BAR, SPACER - OIL RESERVOIR	4
34	0725762	PLATE - RESERVOIR MTG	4
35	0725768	RETAINING RING PLATE	2
36	0726045	SPACER - RECOVERY BOOM	6
37	08006228	L-ARM TUBE, 3212 RH	1
38	08006229	L-ARM TUBE, 3212 LH	1
39	0810239	HYD TANK WLMT - DUAL V30/3212	2
40	0810286	SUBFRAME WLMT - 3212/V30	1
41	0810289	PIVOT BLOCK WLMT	2
42	0810495	VALVE MTG PLATE WLMT	2
43	0902842	KIT - "D" RING	1
44	0911950	VALVE ASSY - WV 3212/V30	1
45	3012-791010	LH PANEL - CHAIN BOX 3014-9100	1
46	3012-791011	RH PANEL - CHAIN BOX 3014-9100	1
47	3012-801000	PIN WELD'- LIFT CYL UP.& LOWER	2
48	3012-810700	BRACKET WELD'T - BULKHEAD	1
49	3014-791004	PLATE - COVER	2
50	511-4000001	CYL, HYD - BOOM LIFT 26.75" ST	2
51	516-0806700	TUBE ASSY -HYD ON SUBFRAME	4
52	566-0820000	2-TUBE CLAMP SET 1/2" STAUFF	2
53	566-0840000	4-TUBE CLAMP SET 1/2 STAUFF	2
54	806030005	LH BOOM GUIDE PAD - BODY ASSY	2
55	806030006	RH BOOM GUIDE PAD - BODY ASSY	2
56	810770015	HOSE 29" 4M2T 6FJX90S-6FJX	1
57	8603413	DECK PLATE PLUG	2
58	9018131	BREATHER CAP (LUCAS) 3/4	2
59	9041108	5/16 NC X 1 3/4 HHCS PL GR8	8
60	9043973	5/16-18X1 1/2 FL.HD.SOC.	24

Section I - PARTS

0911729, 3212/V30 LONG TOWER SUBFRAME ASSEMBLY (cont'd)



Section I - PARTS

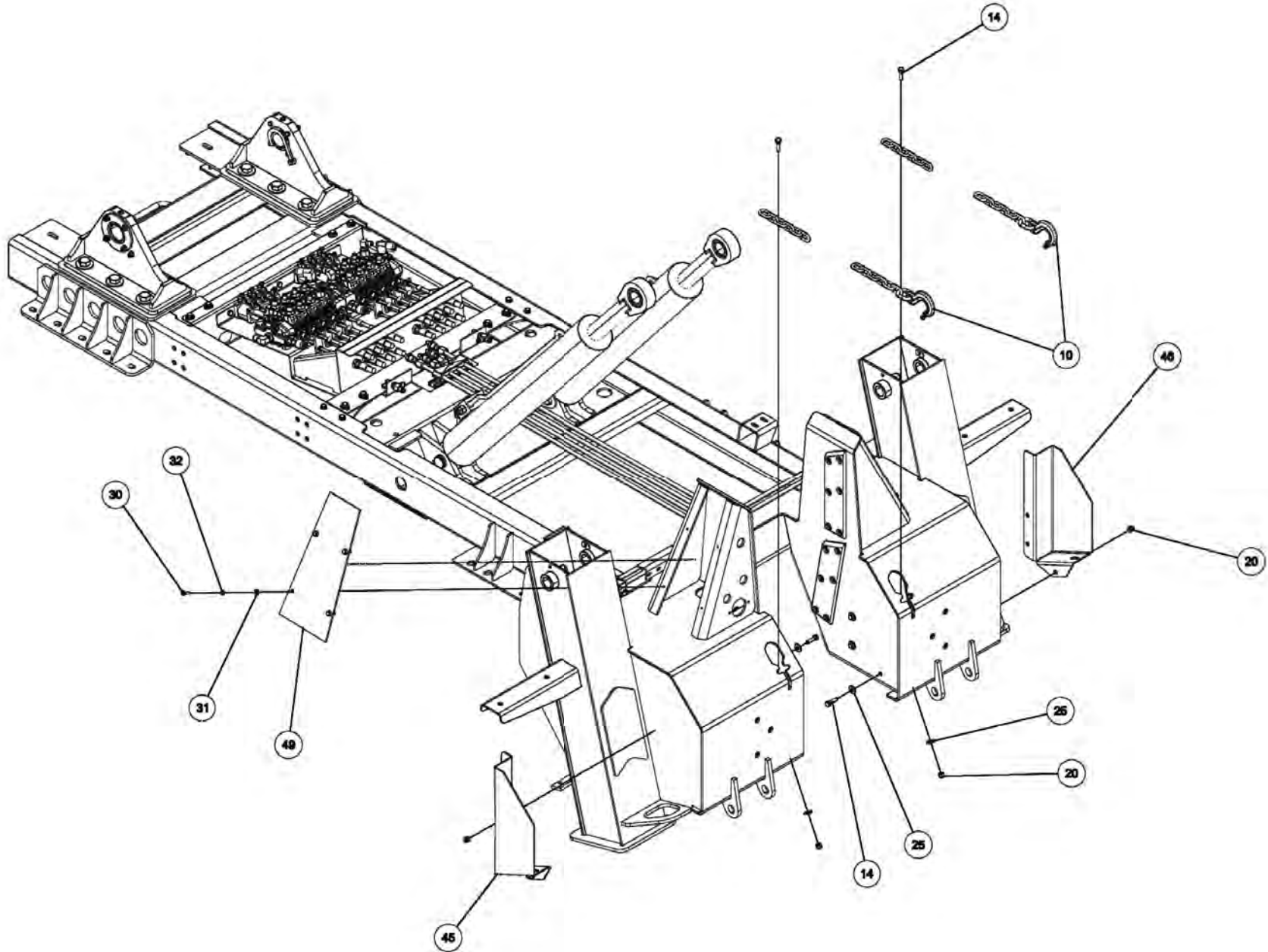
0911729, 3212/V30 LONG TOWER SUBFRAME ASSEMBLY (cont'd)

ITEM	PART NUMBER	DESCRIPTION	QTY
1	0300113	GREASE FITTING, 1/4-28 STR	2
2	0301522	ADAPTER, 6MJ-6MB	4
3	0301998	HOSE HYD, 24" LG	2
4	0302000	HOSE HYD, 24"	2
5	0302514	ADAPTER 8MJ-6MJ	8
6	0302575	FITTING-BULKHEAD RUN TEE	2
7	0302604	HOSE HYD, 44"	1
8	0303155	PIPE PLUG 3/4 NPT MAGNETIC	2
9	0303948	ELBOW, 12MJ-16MB90	2
10	0307383	CHAIN ASSY 5/16 G7 X 12'	2
11	0310296	FILTR HEAD ASSY W' ELEMENT	2
12	0312276	BEARING - BOOM PIVOT	2
13	0400111	SCREW, 5/16-18X2 HHC GR5	2
14	0400122	SCREW, 3/8-16X1-1/4 HHC GR5	12
15	0400126	SCREW, 3/8-16X1 HHC GR5	20
16	0400141	SCREW, 3/8-16X7/8 HHC GR5	2
17	0400184	SCREW, 1/2-13X2-1/4 HHC GR8	8
18	0400288	SCREW, 3/4-10X2-1/2 HHC GR8	12
19	0400382	NUT, 5/16-18 LOK	34
20	0400392	NUT, 3/8-16 LOK	15
21	0400416	NUT, 1/2-13 LOK GR8	16
22	0400431	NUT, 3/4-10 LOK GR8	12
23	0400463	WASHER, 5/16	18
24	0400479	WASHER, 1-1/2X0.125 SHIM	8
25	0400480	WASHER, 3/8	26
26	0400482	LKWASHER, 3/8	19
27	0400489	WASHER, 3/4 SAE GR8	12
28	0400497	WASHER, 1/2 GR8	8
29	0400633	SCREW, 1/2-13X1-1/2 HHC GR8	8
30	0402021	SCREW, 1/4-20X1 HHC SS	8

ITEM	PART NUMBER	DESCRIPTION	QTY
31	0402110	WASHER, 1/4 SS	8
32	0402111	LKWASHER, 1/4 SS	8
33	0719840	BAR, SPACER - OIL RESERVOIR	4
34	0725762	PLATE - RESERVOIR MTG	4
35	0725768	RETAINING RING PLATE	2
36	0726045	SPACER - RECOVERY BOOM	6
37	08006228	L-ARM TUBE, 3212 RH	1
38	08006229	L-ARM TUBE, 3212 LH	1
39	0810239	HYD TANK WLMT - DUAL V30/3212	2
40	0810286	SUBFRAME WLMT - 3212/V30	1
41	0810289	PIVOT BLOCK WLMT	2
42	0810495	VALVE MTG PLATE WLMT	2
43	0902842	KIT - "D" RING	1
44	0911950	VALVE ASSY - WV 3212/V30	1
45	3012-791010	LH PANEL - CHAIN BOX 3014-9100	1
46	3012-791011	RH PANEL - CHAIN BOX 3014-9100	1
47	3012-801000	PIN WELD'- LIFT CYL UP.& LOWER	2
48	3012-810700	BRACKET WELD'T - BULKHEAD	1
49	3014-791004	PLATE - COVER	2
50	511-4000001	CYL, HYD - BOOM LIFT 26.75" ST	2
51	516-0806700	TUBE ASSY -HYD ON SUBFRAME	4
52	566-0820000	2-TUBE CLAMP SET 1/2" STAUFF	2
53	566-0840000	4-TUBE CLAMP SET 1/2 STAUFF	2
54	806030005	LH BOOM GUIDE PAD - BODY ASSY	2
55	806030006	RH BOOM GUIDE PAD - BODY ASSY	2
56	810770015	HOSE 29" 4M2T 6FJX90S-6FJX	1
57	8603413	DECK PLATE PLUG	2
58	9018131	BREATHER CAP (LUCAS) 3/4	2
59	9041108	5/16 NC X 1 3/4 HHCS PL GR8	8
60	9043973	5/16-18X1 1/2 FL.HD.SOC.	24

Section I - PARTS

0911729, 3212/V30 LONG TOWER SUBFRAME ASSEMBLY (cont'd)



Section I - PARTS

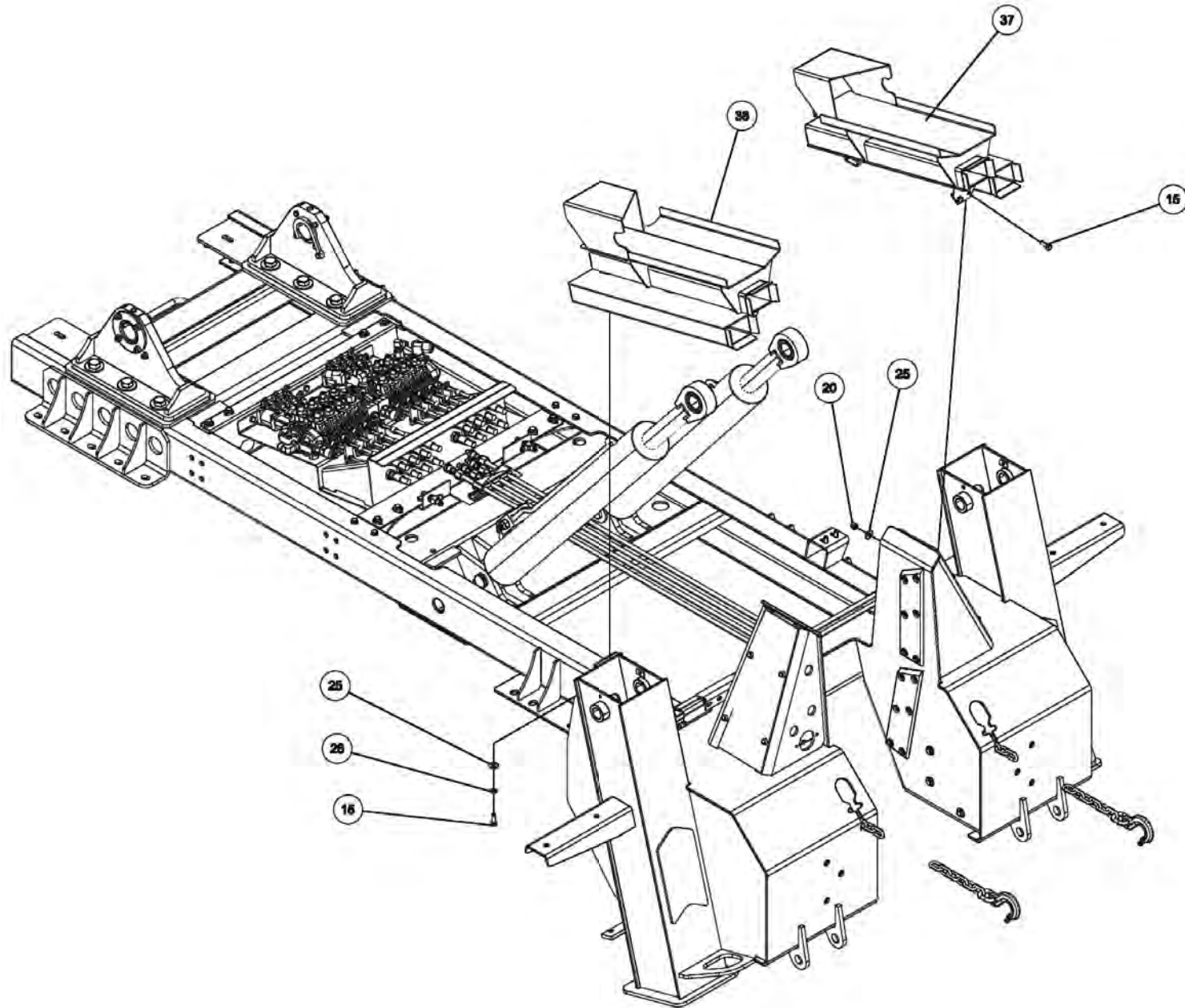
0911729, 3212/V30 LONG TOWER SUBFRAME ASSEMBLY (cont'd)

ITEM	PART NUMBER	DESCRIPTION	QTY
1	0300113	GREASE FITTING, 1/4-28 STR	2
2	0301522	ADAPTER, 6MJ-6MB	4
3	0301998	HOSE HYD, 24" LG	2
4	0302000	HOSE HYD, 24"	2
5	0302514	ADAPTER 8MJ-6MJ	8
6	0302575	FITTING-BULKHEAD RUN TEE	2
7	0302604	HOSE HYD, 44"	1
8	0303155	PIPE PLUG 3/4 NPT MAGNETIC	2
9	0303948	ELBOW, 12MJ-16MB90	2
10	0307383	CHAIN ASSY 5/16 G7 X 12'	2
11	0310296	FILTR HEAD ASSY W' ELEMENT	2
12	0312276	BEARING - BOOM PIVOT	2
13	0400111	SCREW, 5/16-18X2 HHC GR5	2
14	0400122	SCREW, 3/8-16X1-1/4 HHC GR5	12
15	0400126	SCREW, 3/8-16X1 HHC GR5	20
16	0400141	SCREW, 3/8-16X7/8 HHC GR5	2
17	0400184	SCREW, 1/2-13X2-1/4 HHC GR8	8
18	0400288	SCREW, 3/4-10X2-1/2 HHC GR8	12
19	0400382	NUT, 5/16-18 LOK	34
20	0400392	NUT, 3/8-16 LOK	15
21	0400416	NUT, 1/2-13 LOK GR8	16
22	0400431	NUT, 3/4-10 LOK GR8	12
23	0400463	WASHER, 5/16	18
24	0400479	WASHER, 1-1/2X0.125 SHIM	8
25	0400480	WASHER, 3/8	26
26	0400482	LKWASHER, 3/8	19
27	0400489	WASHER, 3/4 SAE GR8	12
28	0400497	WASHER, 1/2 GR8	8
29	0400633	SCREW, 1/2-13X1-1/2 HHC GR8	8
30	0402021	SCREW, 1/4-20X1 HHC SS	8

ITEM	PART NUMBER	DESCRIPTION	QTY
31	0402110	WASHER, 1/4 SS	8
32	0402111	LKWASHER, 1/4 SS	8
33	0719840	BAR, SPACER - OIL RESERVOIR	4
34	0725762	PLATE - RESERVOIR MTG	4
35	0725768	RETAINING RING PLATE	2
36	0726045	SPACER - RECOVERY BOOM	6
37	08006228	L-ARM TUBE, 3212 RH	1
38	08006229	L-ARM TUBE, 3212 LH	1
39	0810239	HYD TANK WLMT - DUAL V30/3212	2
40	0810286	SUBFRAME WLMT - 3212/V30	1
41	0810289	PIVOT BLOCK WLMT	2
42	0810495	VALVE MTG PLATE WLMT	2
43	0902842	KIT - "D" RING	1
44	0911950	VALVE ASSY - WV 3212/V30	1
45	3012-791010	LH PANEL - CHAIN BOX 3014-9100	1
46	3012-791011	RH PANEL - CHAIN BOX 3014-9100	1
47	3012-801000	PIN WELD'- LIFT CYL UP.& LOWER	2
48	3012-810700	BRACKET WELD'T - BULKHEAD	1
49	3014-791004	PLATE - COVER	2
50	511-4000001	CYL, HYD - BOOM LIFT 26.75" ST	2
51	516-0806700	TUBE ASSY -HYD ON SUBFRAME	4
52	566-0820000	2-TUBE CLAMP SET 1/2" STAUFF	2
53	566-0840000	4-TUBE CLAMP SET 1/2 STAUFF	2
54	806030005	LH BOOM GUIDE PAD - BODY ASSY	2
55	806030006	RH BOOM GUIDE PAD - BODY ASSY	2
56	810770015	HOSE 29" 4M2T 6FJX90S-6FJX	1
57	8603413	DECK PLATE PLUG	2
58	9018131	BREATHER CAP (LUCAS) 3/4	2
59	9041108	5/16 NC X 1 3/4 HHCS PL GR8	8
60	9043973	5/16-18X1 1/2 FL.HD.SOC.	24

Section I - PARTS

0911729, 3212/V30 LONG TOWER SUBFRAME ASSEMBLY (cont'd)



Section I - PARTS

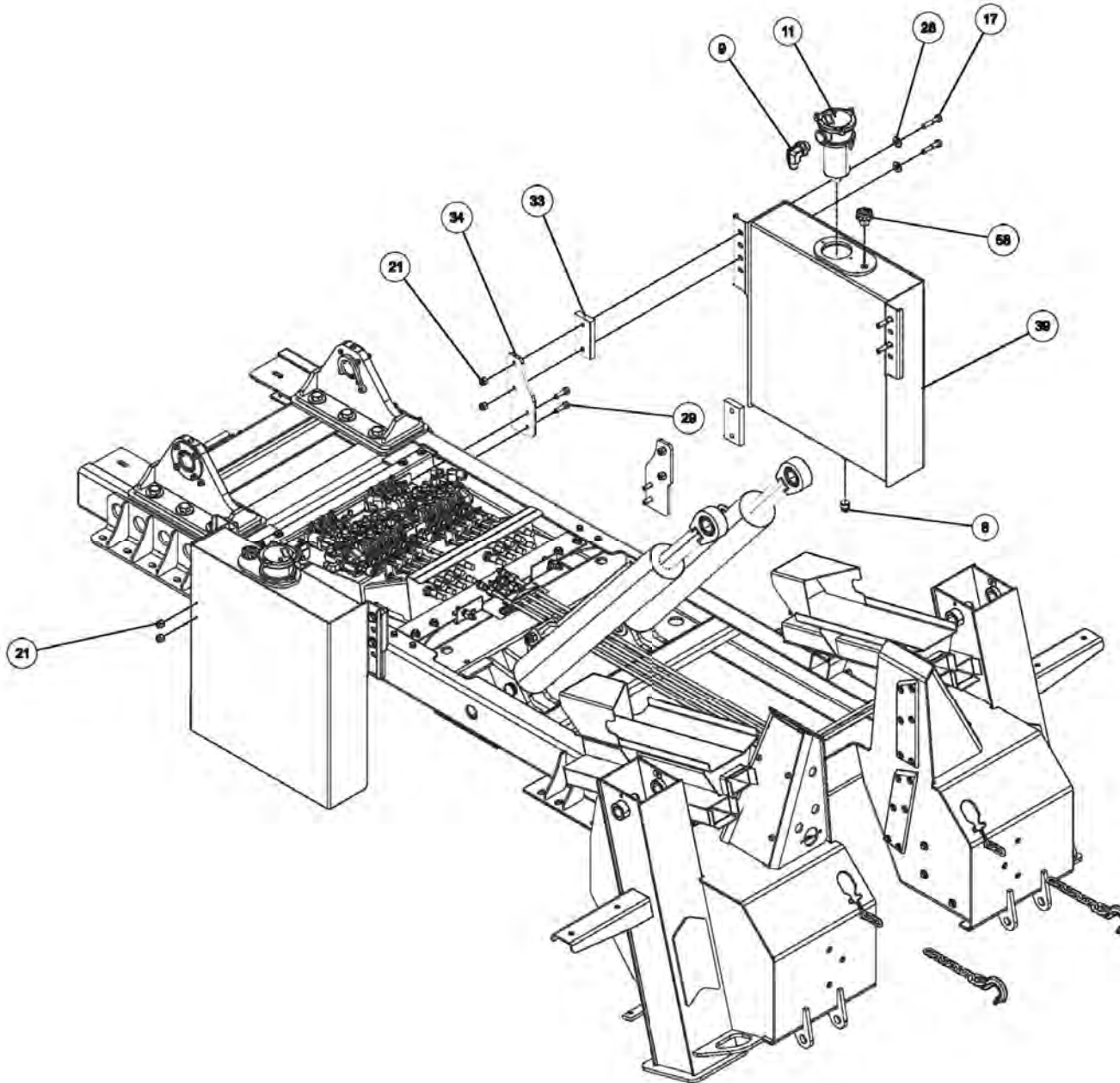
0911729, 3212/V30 LONG TOWER SUBFRAME ASSEMBLY (cont'd)

ITEM	PART NUMBER	DESCRIPTION	QTY
1	0300113	GREASE FITTING, 1/4-28 STR	2
2	0301522	ADAPTER, 6MJ-6MB	4
3	0301998	HOSE HYD, 24" LG	2
4	0302000	HOSE HYD, 24"	2
5	0302514	ADAPTER 8MJ-6MJ	8
6	0302575	FITTING-BULKHEAD RUN TEE	2
7	0302604	HOSE HYD, 44"	1
8	0303155	PIPE PLUG 3/4 NPT MAGNETIC	2
9	0303948	ELBOW, 12MJ-16MB90	2
10	0307383	CHAIN ASSY 5/16 G7 X 12'	2
11	0310296	FILTR HEAD ASSY W' ELEMENT	2
12	0312276	BEARING - BOOM PIVOT	2
13	0400111	SCREW, 5/16-18X2 HHC GR5	2
14	0400122	SCREW, 3/8-16X1-1/4 HHC GR5	12
15	0400126	SCREW, 3/8-16X1 HHC GR5	20
16	0400141	SCREW, 3/8-16X7/8 HHC GR5	2
17	0400184	SCREW, 1/2-13X2-1/4 HHC GR8	8
18	0400288	SCREW, 3/4-10X2-1/2 HHC GR8	12
19	0400382	NUT, 5/16-18 LOK	34
20	0400392	NUT, 3/8-16 LOK	15
21	0400416	NUT, 1/2-13 LOK GR8	16
22	0400431	NUT, 3/4-10 LOK GR8	12
23	0400463	WASHER, 5/16	18
24	0400479	WASHER, 1-1/2X0.125 SHIM	8
25	0400480	WASHER, 3/8	26
26	0400482	LKWASHER, 3/8	19
27	0400489	WASHER, 3/4 SAE GR8	12
28	0400497	WASHER, 1/2 GR8	8
29	0400633	SCREW, 1/2-13X1-1/2 HHC GR8	8
30	0402021	SCREW, 1/4-20X1 HHC SS	8

ITEM	PART NUMBER	DESCRIPTION	QTY
31	0402110	WASHER, 1/4 SS	8
32	0402111	LKWASHER, 1/4 SS	8
33	0719840	BAR, SPACER - OIL RESERVOIR	4
34	0725762	PLATE - RESERVOIR MTG	4
35	0725768	RETAINING RING PLATE	2
36	0726045	SPACER - RECOVERY BOOM	6
37	08006228	L-ARM TUBE, 3212 RH	1
38	08006229	L-ARM TUBE, 3212 LH	1
39	0810239	HYD TANK WLMT - DUAL V30/3212	2
40	0810286	SUBFRAME WLMT - 3212/V30	1
41	0810289	PIVOT BLOCK WLMT	2
42	0810495	VALVE MTG PLATE WLMT	2
43	0902842	KIT - "D" RING	1
44	0911950	VALVE ASSY - WV 3212/V30	1
45	3012-791010	LH PANEL - CHAIN BOX 3014-9100	1
46	3012-791011	RH PANEL - CHAIN BOX 3014-9100	1
47	3012-801000	PIN WELD'- LIFT CYL UP.& LOWER	2
48	3012-810700	BRACKET WELD'T - BULKHEAD	1
49	3014-791004	PLATE - COVER	2
50	511-4000001	CYL, HYD - BOOM LIFT 26.75" ST	2
51	516-0806700	TUBE ASSY -HYD ON SUBFRAME	4
52	566-0820000	2-TUBE CLAMP SET 1/2" STAUFF	2
53	566-0840000	4-TUBE CLAMP SET 1/2 STAUFF	2
54	806030005	LH BOOM GUIDE PAD - BODY ASSY	2
55	806030006	RH BOOM GUIDE PAD - BODY ASSY	2
56	810770015	HOSE 29" 4M2T 6FJX90S-6FJX	1
57	8603413	DECK PLATE PLUG	2
58	9018131	BREATHER CAP (LUCAS) 3/4	2
59	9041108	5/16 NC X 1 3/4 HHCS PL GR8	8
60	9043973	5/16-18X1 1/2 FL.HD.SOC.	24

Section I - PARTS

0911729, 3212/V30 LONG TOWER SUBFRAME ASSEMBLY (cont'd)



Section I - PARTS

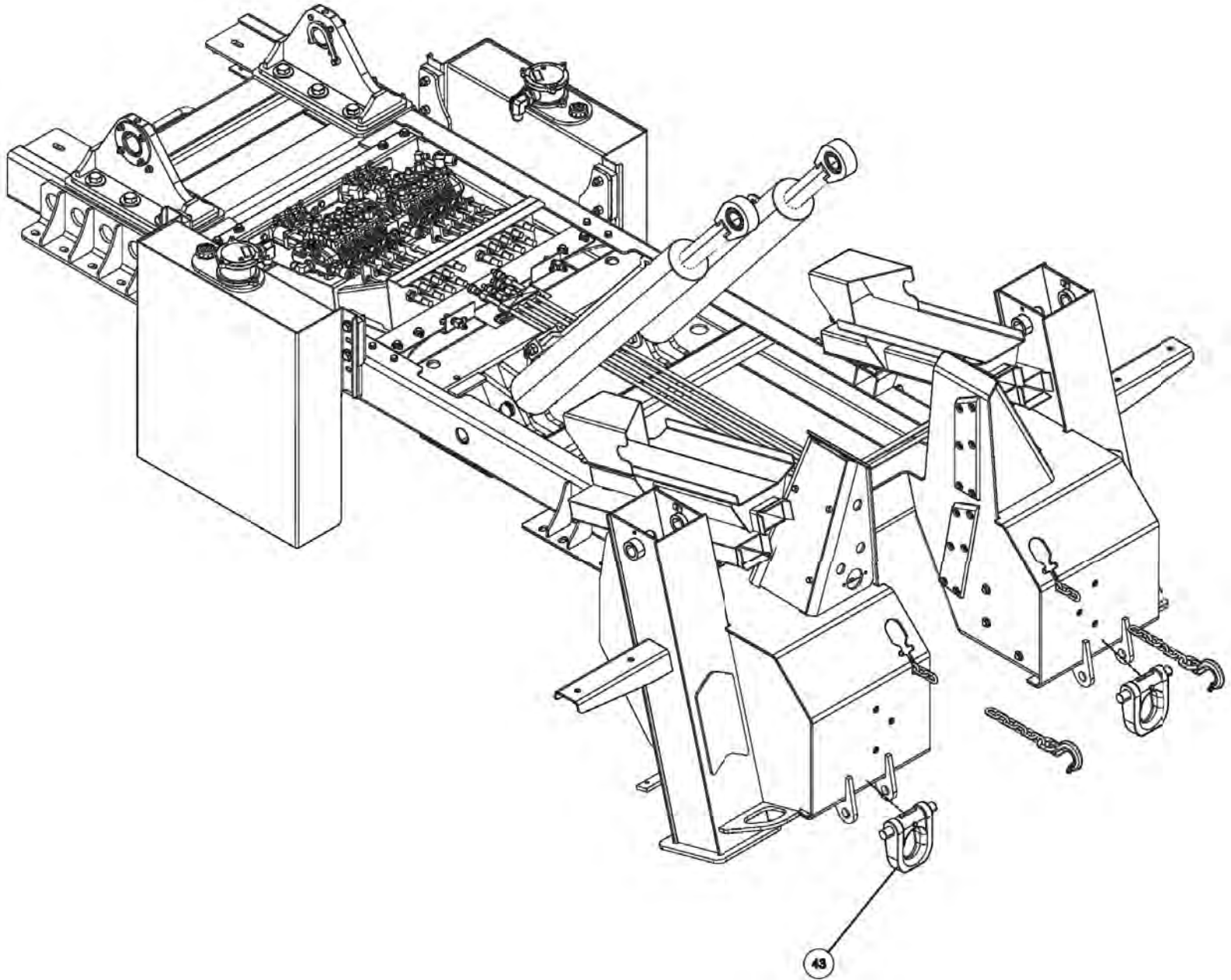
0911729, 3212/V30 LONG TOWER SUBFRAME ASSEMBLY (cont'd)

ITEM	PART NUMBER	DESCRIPTION	QTY
1	0300113	GREASE FITTING, 1/4-28 STR	2
2	0301522	ADAPTER, 6MJ-6MB	4
3	0301998	HOSE HYD, 24" LG	2
4	0302000	HOSE HYD, 24"	2
5	0302514	ADAPTER 8MJ-6MJ	8
6	0302575	FITTING-BULKHEAD RUN TEE	2
7	0302604	HOSE HYD, 44"	1
8	0303155	PIPE PLUG 3/4 NPT MAGNETIC	2
9	0303948	ELBOW, 12MJ-16MB90	2
10	0307383	CHAIN ASSY 5/16 G7 X 12'	2
11	0310296	FILTR HEAD ASSY W' ELEMENT	2
12	0312276	BEARING - BOOM PIVOT	2
13	0400111	SCREW, 5/16-18X2 HHC GR5	2
14	0400122	SCREW, 3/8-16X1-1/4 HHC GR5	12
15	0400126	SCREW, 3/8-16X1 HHC GR5	20
16	0400141	SCREW, 3/8-16X7/8 HHC GR5	2
17	0400184	SCREW, 1/2-13X2-1/4 HHC GR8	8
18	0400288	SCREW, 3/4-10X2-1/2 HHC GR8	12
19	0400382	NUT, 5/16-18 LOK	34
20	0400392	NUT, 3/8-16 LOK	15
21	0400416	NUT, 1/2-13 LOK GR8	16
22	0400431	NUT, 3/4-10 LOK GR8	12
23	0400463	WASHER, 5/16	18
24	0400479	WASHER, 1-1/2X0.125 SHIM	8
25	0400480	WASHER, 3/8	26
26	0400482	LKWASHER, 3/8	19
27	0400489	WASHER, 3/4 SAE GR8	12
28	0400497	WASHER, 1/2 GR8	8
29	0400633	SCREW, 1/2-13X1-1/2 HHC GR8	8
30	0402021	SCREW, 1/4-20X1 HHC SS	8

ITEM	PART NUMBER	DESCRIPTION	QTY
31	0402110	WASHER, 1/4 SS	8
32	0402111	LKWASHER, 1/4 SS	8
33	0719840	BAR, SPACER - OIL RESERVOIR	4
34	0725762	PLATE - RESERVOIR MTG	4
35	0725768	RETAINING RING PLATE	2
36	0726045	SPACER - RECOVERY BOOM	6
37	08006228	L-ARM TUBE, 3212 RH	1
38	08006229	L-ARM TUBE, 3212 LH	1
39	0810239	HYD TANK WLMT - DUAL V30/3212	2
40	0810286	SUBFRAME WLMT - 3212/V30	1
41	0810289	PIVOT BLOCK WLMT	2
42	0810495	VALVE MTG PLATE WLMT	2
43	0902842	KIT - "D" RING	1
44	0911950	VALVE ASSY - WV 3212/V30	1
45	3012-791010	LH PANEL - CHAIN BOX 3014-9100	1
46	3012-791011	RH PANEL - CHAIN BOX 3014-9100	1
47	3012-801000	PIN WELD'- LIFT CYL UP.& LOWER	2
48	3012-810700	BRACKET WELD'T - BULKHEAD	1
49	3014-791004	PLATE - COVER	2
50	511-4000001	CYL, HYD - BOOM LIFT 26.75" ST	2
51	516-0806700	TUBE ASSY -HYD ON SUBFRAME	4
52	566-0820000	2-TUBE CLAMP SET 1/2" STAUFF	2
53	566-0840000	4-TUBE CLAMP SET 1/2 STAUFF	2
54	806030005	LH BOOM GUIDE PAD - BODY ASSY	2
55	806030006	RH BOOM GUIDE PAD - BODY ASSY	2
56	810770015	HOSE 29" 4M2T 6FJX90S-6FJX	1
57	8603413	DECK PLATE PLUG	2
58	9018131	BREATHER CAP (LUCAS) 3/4	2
59	9041108	5/16 NC X 1 3/4 HHCS PL GR8	8
60	9043973	5/16-18X1 1/2 FL.HD.SOC.	24

Section I - PARTS

0911729, 3212/V30 LONG TOWER SUBFRAME ASSEMBLY (cont'd)



Section I - PARTS

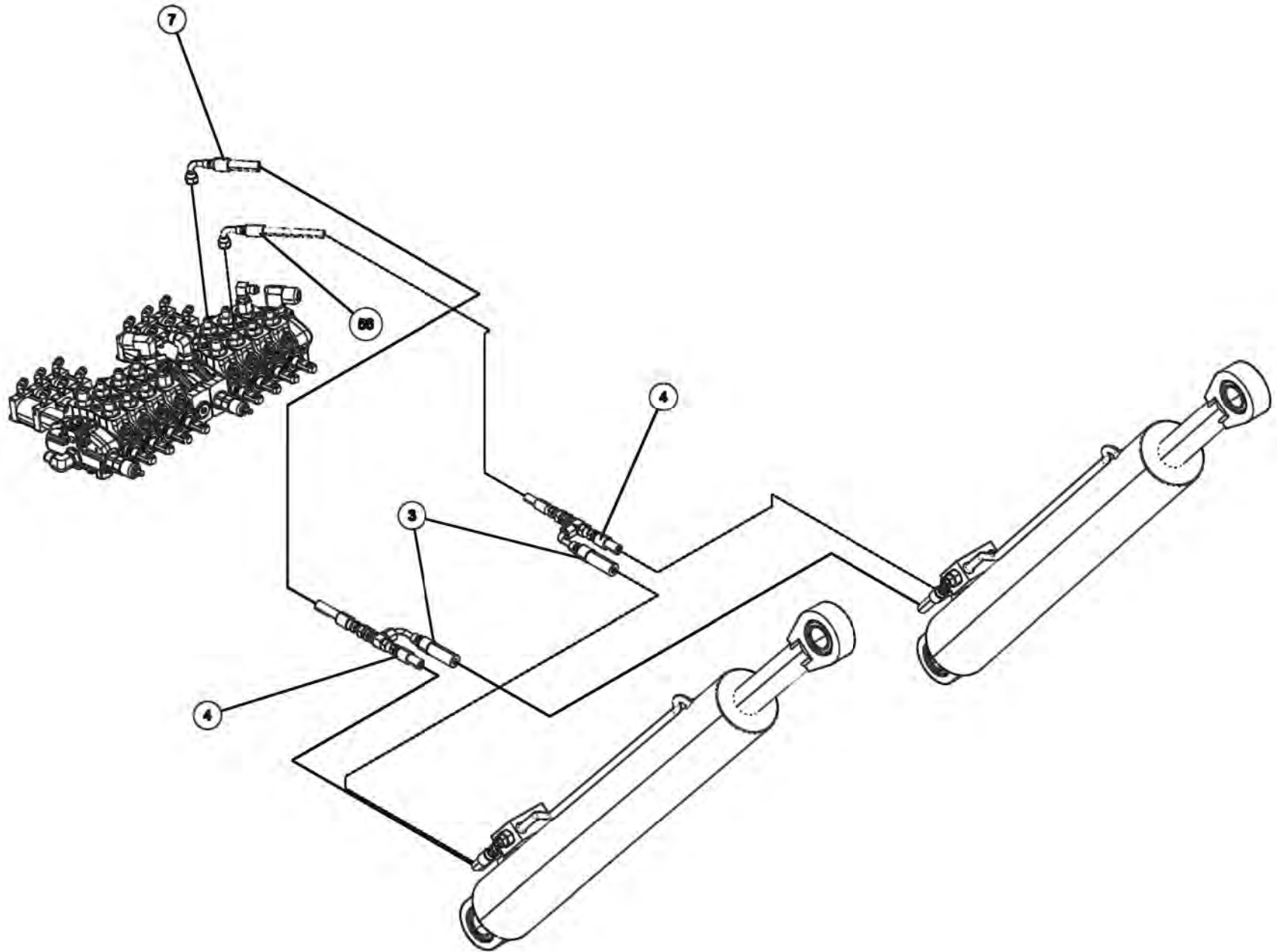
0911729, 3212/V30 LONG TOWER SUBFRAME ASSEMBLY (cont'd)

ITEM	PART NUMBER	DESCRIPTION	QTY
1	0300113	GREASE FITTING, 1/4-28 STR	2
2	0301522	ADAPTER, 6MJ-6MB	4
3	0301998	HOSE HYD, 24" LG	2
4	0302000	HOSE HYD, 24"	2
5	0302514	ADAPTER 8MJ-6MJ	8
6	0302575	FITTING-BULKHEAD RUN TEE	2
7	0302604	HOSE HYD, 44"	1
8	0303155	PIPE PLUG 3/4 NPT MAGNETIC	2
9	0303948	ELBOW, 12MJ-16MB90	2
10	0307383	CHAIN ASSY 5/16 G7 X 12'	2
11	0310296	FILTR HEAD ASSY W' ELEMENT	2
12	0312276	BEARING - BOOM PIVOT	2
13	0400111	SCREW, 5/16-18X2 HHC GR5	2
14	0400122	SCREW, 3/8-16X1-1/4 HHC GR5	12
15	0400126	SCREW, 3/8-16X1 HHC GR5	20
16	0400141	SCREW, 3/8-16X7/8 HHC GR5	2
17	0400184	SCREW, 1/2-13X2-1/4 HHC GR8	8
18	0400288	SCREW, 3/4-10X2-1/2 HHC GR8	12
19	0400382	NUT, 5/16-18 LOK	34
20	0400392	NUT, 3/8-16 LOK	15
21	0400416	NUT, 1/2-13 LOK GR8	16
22	0400431	NUT, 3/4-10 LOK GR8	12
23	0400463	WASHER, 5/16	18
24	0400479	WASHER, 1-1/2X0.125 SHIM	8
25	0400480	WASHER, 3/8	26
26	0400482	LKWASHER, 3/8	19
27	0400489	WASHER, 3/4 SAE GR8	12
28	0400497	WASHER, 1/2 GR8	8
29	0400633	SCREW, 1/2-13X1-1/2 HHC GR8	8
30	0402021	SCREW, 1/4-20X1 HHC SS	8

ITEM	PART NUMBER	DESCRIPTION	QTY
31	0402110	WASHER, 1/4 SS	8
32	0402111	LKWASHER, 1/4 SS	8
33	0719840	BAR, SPACER - OIL RESERVOIR	4
34	0725762	PLATE - RESERVOIR MTG	4
35	0725768	RETAINING RING PLATE	2
36	0726045	SPACER - RECOVERY BOOM	6
37	08006228	L-ARM TUBE, 3212 RH	1
38	08006229	L-ARM TUBE, 3212 LH	1
39	0810239	HYD TANK WLMT - DUAL V30/3212	2
40	0810286	SUBFRAME WLMT - 3212/V30	1
41	0810289	PIVOT BLOCK WLMT	2
42	0810495	VALVE MTG PLATE WLMT	2
43	0902842	KIT - "D" RING	1
44	0911950	VALVE ASSY - WV 3212/V30	1
45	3012-791010	LH PANEL - CHAIN BOX 3014-9100	1
46	3012-791011	RH PANEL - CHAIN BOX 3014-9100	1
47	3012-801000	PIN WELD'- LIFT CYL UP.& LOWER	2
48	3012-810700	BRACKET WELD'T - BULKHEAD	1
49	3014-791004	PLATE - COVER	2
50	511-4000001	CYL, HYD - BOOM LIFT 26.75" ST	2
51	516-0806700	TUBE ASSY -HYD ON SUBFRAME	4
52	566-0820000	2-TUBE CLAMP SET 1/2" STAUFF	2
53	566-0840000	4-TUBE CLAMP SET 1/2 STAUFF	2
54	806030005	LH BOOM GUIDE PAD - BODY ASSY	2
55	806030006	RH BOOM GUIDE PAD - BODY ASSY	2
56	810770015	HOSE 29" 4M2T 6FJX90S-6FJX	1
57	8603413	DECK PLATE PLUG	2
58	9018131	BREATHER CAP (LUCAS) 3/4	2
59	9041108	5/16 NC X 1 3/4 HHCS PL GR8	8
60	9043973	5/16-18X1 1/2 FL.HD.SOC.	24

Section I - PARTS

0911729, 3212/V30 LONG TOWER SUBFRAME ASSEMBLY (cont'd)



Section I - PARTS

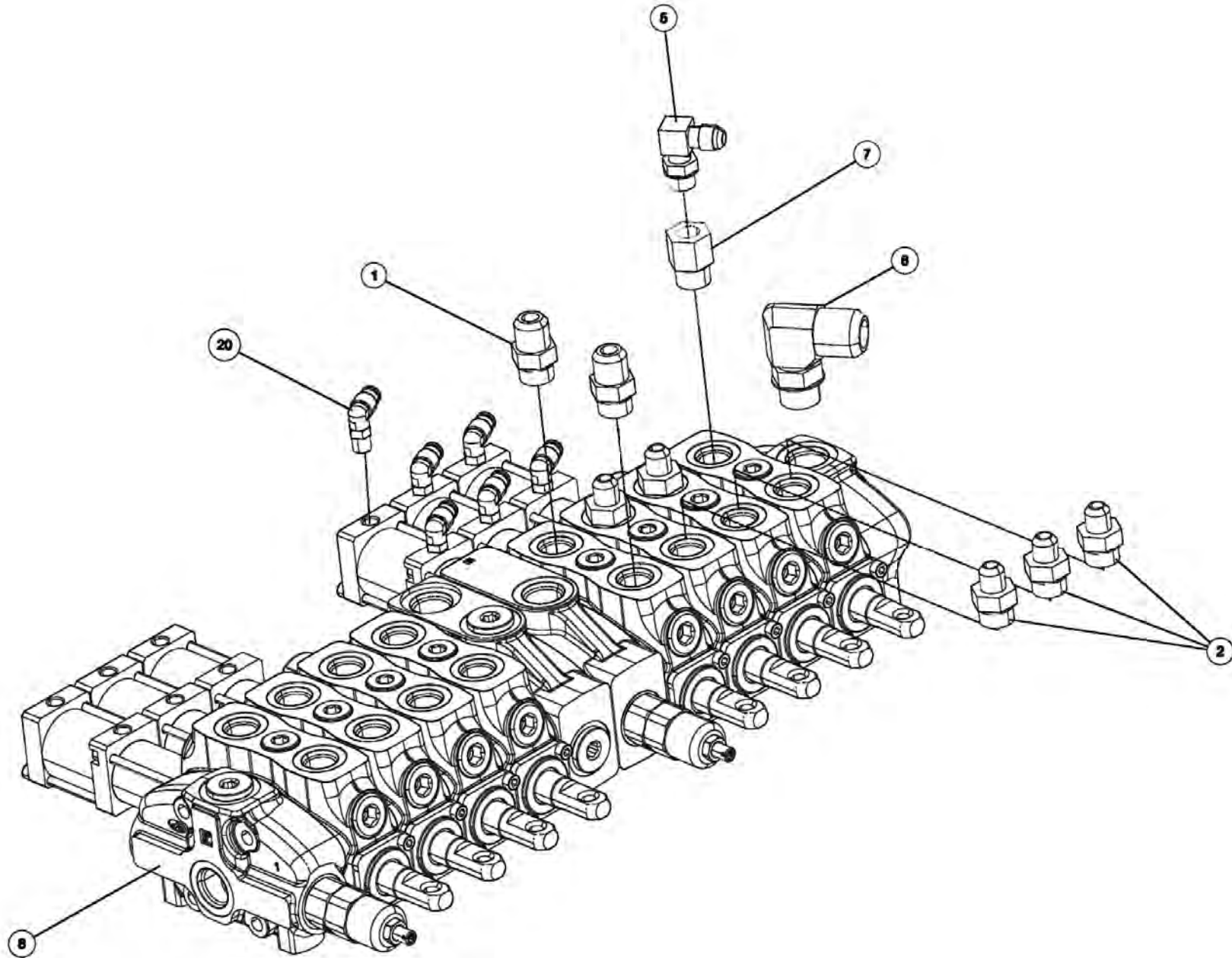
0911729, 3212/V30 LONG TOWER SUBFRAME ASSEMBLY (cont'd)

ITEM	PART NUMBER	DESCRIPTION	QTY
1	0300113	GREASE FITTING, 1/4-28 STR	2
2	0301522	ADAPTER, 6MJ-6MB	4
3	0301998	HOSE HYD, 24" LG	2
4	0302000	HOSE HYD, 24"	2
5	0302514	ADAPTER 8MJ-6MJ	8
6	0302575	FITTING-BULKHEAD RUN TEE	2
7	0302604	HOSE HYD, 44"	1
8	0303155	PIPE PLUG 3/4 NPT MAGNETIC	2
9	0303948	ELBOW, 12MJ-16MB90	2
10	0307383	CHAIN ASSY 5/16 G7 X 12'	2
11	0310296	FILTR HEAD ASSY W' ELEMENT	2
12	0312276	BEARING - BOOM PIVOT	2
13	0400111	SCREW, 5/16-18X2 HHC GR5	2
14	0400122	SCREW, 3/8-16X1-1/4 HHC GR5	12
15	0400126	SCREW, 3/8-16X1 HHC GR5	20
16	0400141	SCREW, 3/8-16X7/8 HHC GR5	2
17	0400184	SCREW, 1/2-13X2-1/4 HHC GR8	8
18	0400288	SCREW, 3/4-10X2-1/2 HHC GR8	12
19	0400382	NUT, 5/16-18 LOK	34
20	0400392	NUT, 3/8-16 LOK	15
21	0400416	NUT, 1/2-13 LOK GR8	16
22	0400431	NUT, 3/4-10 LOK GR8	12
23	0400463	WASHER, 5/16	18
24	0400479	WASHER, 1-1/2X0.125 SHIM	8
25	0400480	WASHER, 3/8	26
26	0400482	LKWASHER, 3/8	19
27	0400489	WASHER, 3/4 SAE GR8	12
28	0400497	WASHER, 1/2 GR8	8
29	0400633	SCREW, 1/2-13X1-1/2 HHC GR8	8
30	0402021	SCREW, 1/4-20X1 HHC SS	8

ITEM	PART NUMBER	DESCRIPTION	QTY
31	0402110	WASHER, 1/4 SS	8
32	0402111	LKWASHER, 1/4 SS	8
33	0719840	BAR, SPACER - OIL RESERVOIR	4
34	0725762	PLATE - RESERVOIR MTG	4
35	0725768	RETAINING RING PLATE	2
36	0726045	SPACER - RECOVERY BOOM	6
37	08006228	L-ARM TUBE, 3212 RH	1
38	08006229	L-ARM TUBE, 3212 LH	1
39	0810239	HYD TANK WLMT - DUAL V30/3212	2
40	0810286	SUBFRAME WLMT - 3212/V30	1
41	0810289	PIVOT BLOCK WLMT	2
42	0810495	VALVE MTG PLATE WLMT	2
43	0902842	KIT - "D" RING	1
44	0911950	VALVE ASSY - WV 3212/V30	1
45	3012-791010	LH PANEL - CHAIN BOX 3014-9100	1
46	3012-791011	RH PANEL - CHAIN BOX 3014-9100	1
47	3012-801000	PIN WELD'- LIFT CYL UP.& LOWER	2
48	3012-810700	BRACKET WELD'T - BULKHEAD	1
49	3014-791004	PLATE - COVER	2
50	511-4000001	CYL, HYD - BOOM LIFT 26.75" ST	2
51	516-0806700	TUBE ASSY -HYD ON SUBFRAME	4
52	566-0820000	2-TUBE CLAMP SET 1/2" STAUFF	2
53	566-0840000	4-TUBE CLAMP SET 1/2 STAUFF	2
54	806030005	LH BOOM GUIDE PAD - BODY ASSY	2
55	806030006	RH BOOM GUIDE PAD - BODY ASSY	2
56	810770015	HOSE 29" 4M2T 6FJX90S-6FJX	1
57	8603413	DECK PLATE PLUG	2
58	9018131	BREATHER CAP (LUCAS) 3/4	2
59	9041108	5/16 NC X 1 3/4 HHCS PL GR8	8
60	9043973	5/16-18X1 1/2 FL.HD.SOC.	24

Section I - PARTS

0911950, VALVE ASSEMBLY WALVOIL 3212/V30



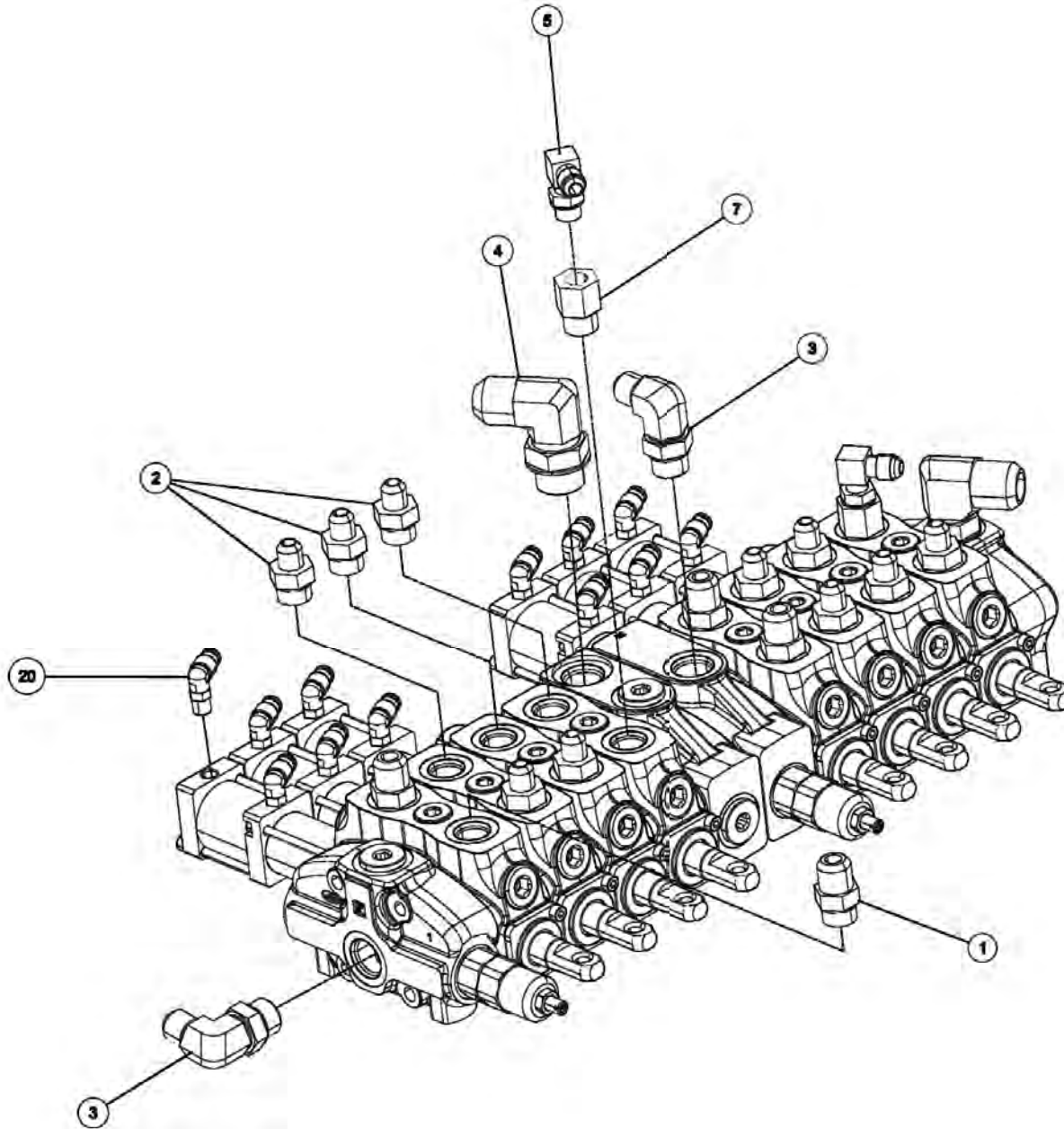
Section I - PARTS

0911950, VALVE ASSEMBLY WALVOIL 3212/V30 (cont'd)

ITEM	PART NUMBER	DESCRIPTION	QTY
1	0300041	CONNECTOR, 8MJ-8MB	4
2	0300044	FITT, HYD CONN. 6MJ-8MB	10
3	0300052	FITTING, ELB 8MJ-10MB 90	2
4	0301545	FITTING, ELB 12MJ-12MB 90	1
5	0301620	FITTING, HYD. 6MJ - 6MB90	2
6	0302085	FITTING, 90 DEG ADPTR	1
7	0303017	FITTING, CONNECTOR	2
8	0312571	VALVE - CONTROL 3212/V30	1
9	0400126	SCREW, 3/8-16X1 HHC GR5	6
10	0400383	NUT, 5/16-24 HEX	32
11	0400392	NUT, 3/8-16 LOK	6
12	0400463	WASHER, 5/16	4
13	0400466	LKWASHER, 5/16 INT	32
14	0400480	WASHER, 3/8	9
15	0400527	PIN, 5/16X1X5/8 CLEVIS	8
16	0400841	SCREW, M8-1.25X20 HHC 10.9	4
17	0726608	PANEL - VALVE MTG	1
18	0801054	CONNECTOR-CONTROL CABLE	8
19	0810499	VALVE BRKT WLMT	1
20	9010030	FITT, BRASS ELBOW 1/4T-1/8MPX	12

Section I - PARTS

0911950, VALVE ASSEMBLY WALVOIL 3212/V30 (cont'd)



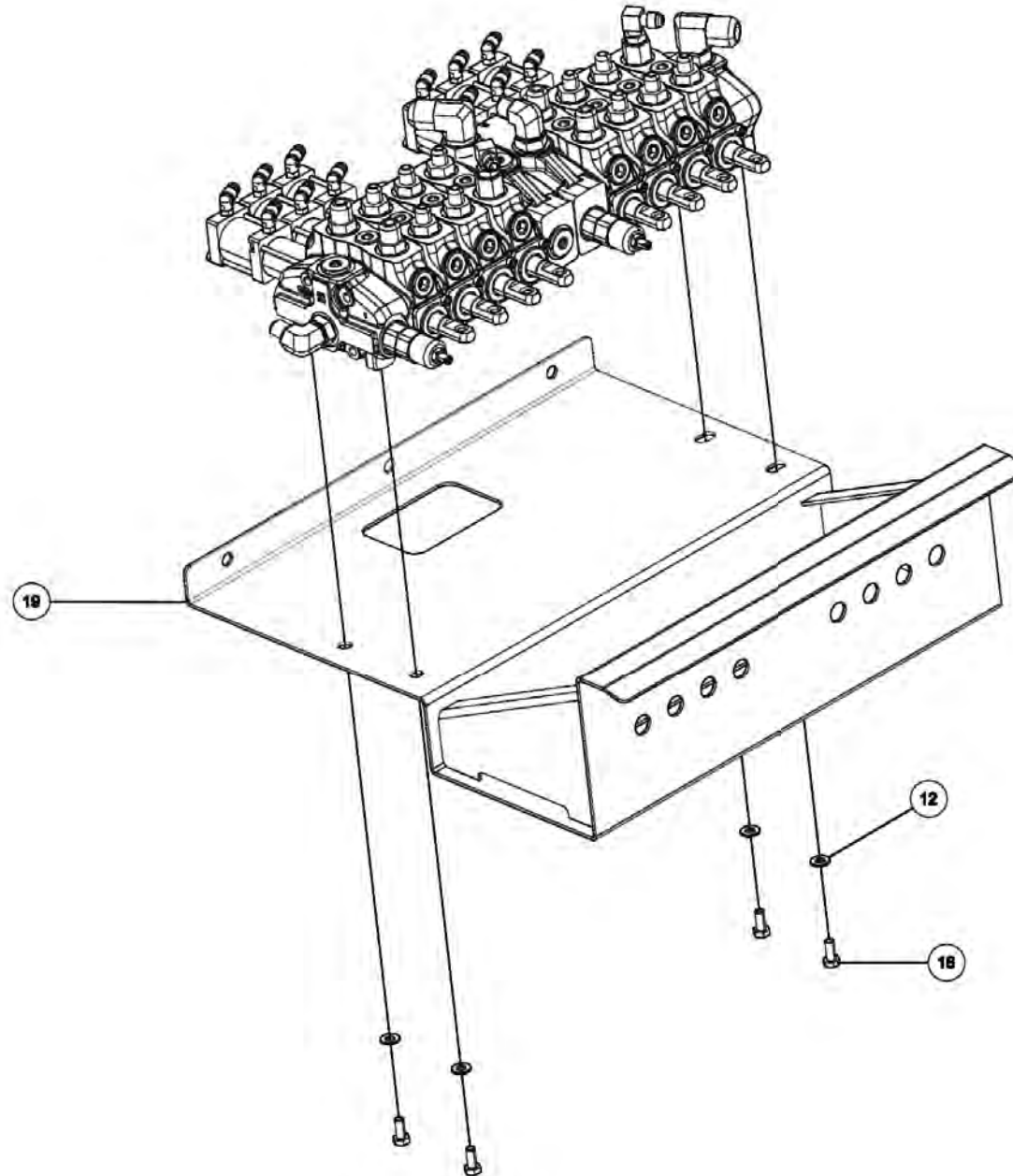
Section I - PARTS

0911950, VALVE ASSEMBLY WALVOIL 3212/V30 (cont'd)

ITEM	PART NUMBER	DESCRIPTION	QTY
1	0300041	CONNECTOR, 8MJ-8MB	4
2	0300044	FITT, HYD CONN. 6MJ-8MB	10
3	0300052	FITTING, ELB 8MJ-10MB 90	2
4	0301545	FITTING, ELB 12MJ-12MB 90	1
5	0301620	FITTING, HYD. 6MJ - 6MB90	2
6	0302085	FITTING, 90 DEG ADPTR	1
7	0303017	FITTING, CONNECTOR	2
8	0312571	VALVE - CONTROL 3212/V30	1
9	0400126	SCREW, 3/8-16X1 HHC GR5	6
10	0400383	NUT, 5/16-24 HEX	32
11	0400392	NUT, 3/8-16 LOK	6
12	0400463	WASHER, 5/16	4
13	0400466	LKWASHER, 5/16 INT	32
14	0400480	WASHER, 3/8	9
15	0400527	PIN, 5/16X1X5/8 CLEVIS	8
16	0400841	SCREW, M8-1.25X20 HHC 10.9	4
17	0726608	PANEL - VALVE MTG	1
18	0801054	CONNECTOR-CONTROL CABLE	8
19	0810499	VALVE BRKT WLMT	1
20	9010030	FITT, BRASS ELBOW 1/4T-1/8MPX	12

Section I - PARTS

0911950, VALVE ASSEMBLY WALVOIL 3212/V30 (cont'd)



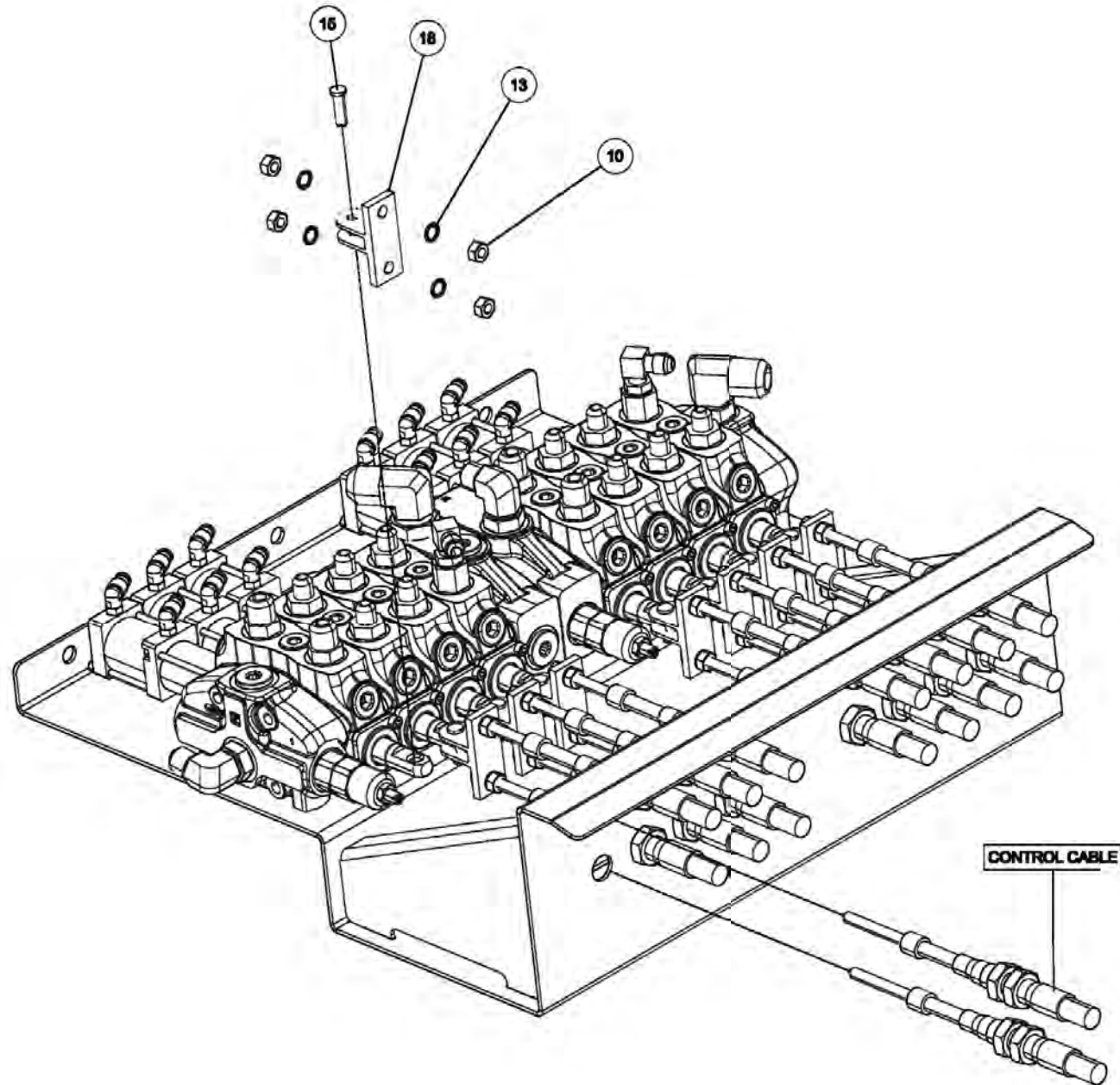
Section I - PARTS

0911950, VALVE ASSEMBLY WALVOIL 3212/V30 (cont'd)

ITEM	PART NUMBER	DESCRIPTION	QTY
1	0300041	CONNECTOR, 8MJ-8MB	4
2	0300044	FITT, HYD CONN. 6MJ-8MB	10
3	0300052	FITTING, ELB 8MJ-10MB 90	2
4	0301545	FITTING, ELB 12MJ-12MB 90	1
5	0301620	FITTING, HYD. 6MJ - 6MB90	2
6	0302085	FITTING, 90 DEG ADPTR	1
7	0303017	FITTING, CONNECTOR	2
8	0312571	VALVE - CONTROL 3212/V30	1
9	0400126	SCREW, 3/8-16X1 HHC GR5	6
10	0400383	NUT, 5/16-24 HEX	32
11	0400392	NUT, 3/8-16 LOK	6
12	0400463	WASHER, 5/16	4
13	0400466	LKWASHER, 5/16 INT	32
14	0400480	WASHER, 3/8	9
15	0400527	PIN, 5/16X1X5/8 CLEVIS	8
16	0400841	SCREW, M8-1.25X20 HHC 10.9	4
17	0726608	PANEL - VALVE MTG	1
18	0801054	CONNECTOR-CONTROL CABLE	8
19	0810499	VALVE BRKT WLMT	1
20	9010030	FITT, BRASS ELBOW 1/4T-1/8MPX	12

Section I - PARTS

0911950, VALVE ASSEMBLY WALVOIL 3212/V30 (cont'd)



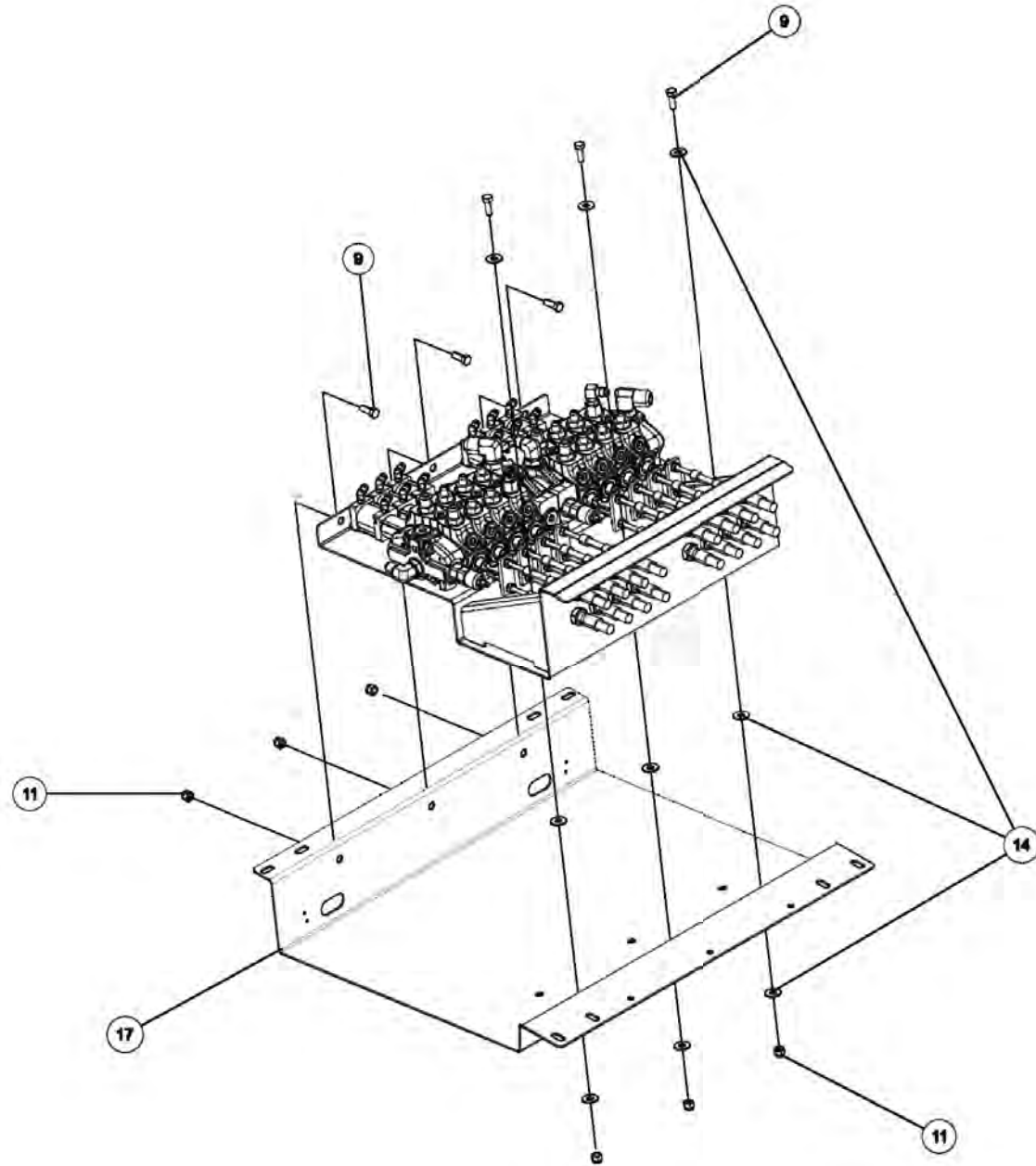
Section I - PARTS

0911950, VALVE ASSEMBLY WALVOIL 3212/V30 (cont'd)

ITEM	PART NUMBER	DESCRIPTION	QTY
1	0300041	CONNECTOR, 8MJ-8MB	4
2	0300044	FITT, HYD CONN. 6MJ-8MB	10
3	0300052	FITTING, ELB 8MJ-10MB 90	2
4	0301545	FITTING, ELB 12MJ-12MB 90	1
5	0301620	FITTING, HYD. 6MJ - 6MB90	2
6	0302085	FITTING, 90 DEG ADPTR	1
7	0303017	FITTING, CONNECTOR	2
8	0312571	VALVE - CONTROL 3212/V30	1
9	0400126	SCREW, 3/8-16X1 HHC GR5	6
10	0400383	NUT, 5/16-24 HEX	32
11	0400392	NUT, 3/8-16 LOK	6
12	0400463	WASHER, 5/16	4
13	0400466	LKWASHER, 5/16 INT	32
14	0400480	WASHER, 3/8	9
15	0400527	PIN, 5/16X1X5/8 CLEVIS	8
16	0400841	SCREW, M8-1.25X20 HHC 10.9	4
17	0726608	PANEL - VALVE MTG	1
18	0801054	CONNECTOR-CONTROL CABLE	8
19	0810499	VALVE BRKT WLMT	1
20	9010030	FITT, BRASS ELBOW 1/4T-1/8MPX	12

Section I - PARTS

0911950, VALVE ASSEMBLY WALVOIL 3212/V30 (cont'd)



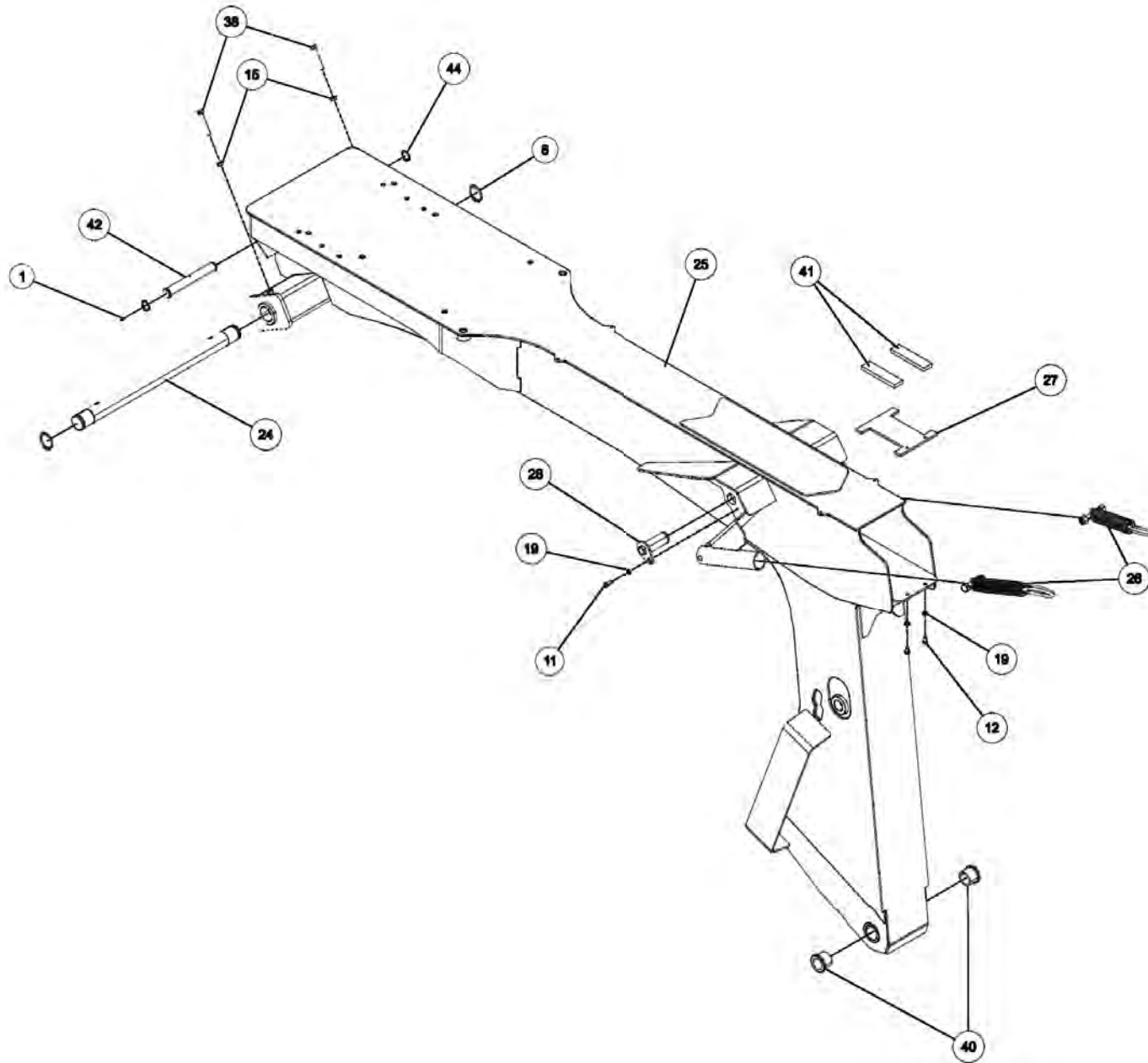
Section I - PARTS

0911950, VALVE ASSEMBLY WALVOIL 3212/V30 (cont'd)

ITEM	PART NUMBER	DESCRIPTION	QTY
1	0300041	CONNECTOR, 8MJ-8MB	4
2	0300044	FITT, HYD CONN. 6MJ-8MB	10
3	0300052	FITTING, ELB 8MJ-10MB 90	2
4	0301545	FITTING, ELB 12MJ-12MB 90	1
5	0301620	FITTING, HYD. 6MJ - 6MB90	2
6	0302085	FITTING, 90 DEG ADPTR	1
7	0303017	FITTING, CONNECTOR	2
8	0312571	VALVE - CONTROL 3212/V30	1
9	0400126	SCREW, 3/8-16X1 HHC GR5	6
10	0400383	NUT, 5/16-24 HEX	32
11	0400392	NUT, 3/8-16 LOK	6
12	0400463	WASHER, 5/16	4
13	0400466	LKWASHER, 5/16 INT	32
14	0400480	WASHER, 3/8	9
15	0400527	PIN, 5/16X1X5/8 CLEVIS	8
16	0400841	SCREW, M8-1.25X20 HHC 10.9	4
17	0726608	PANEL - VALVE MTG	1
18	0801054	CONNECTOR-CONTROL CABLE	8
19	0810499	VALVE BRKT WLMT	1
20	9010030	FITT, BRASS ELBOW 1/4T-1/8MPX	12

Section I - PARTS

0911730, 3212/V30 LONG TOWER BOOM ASSEMBLY



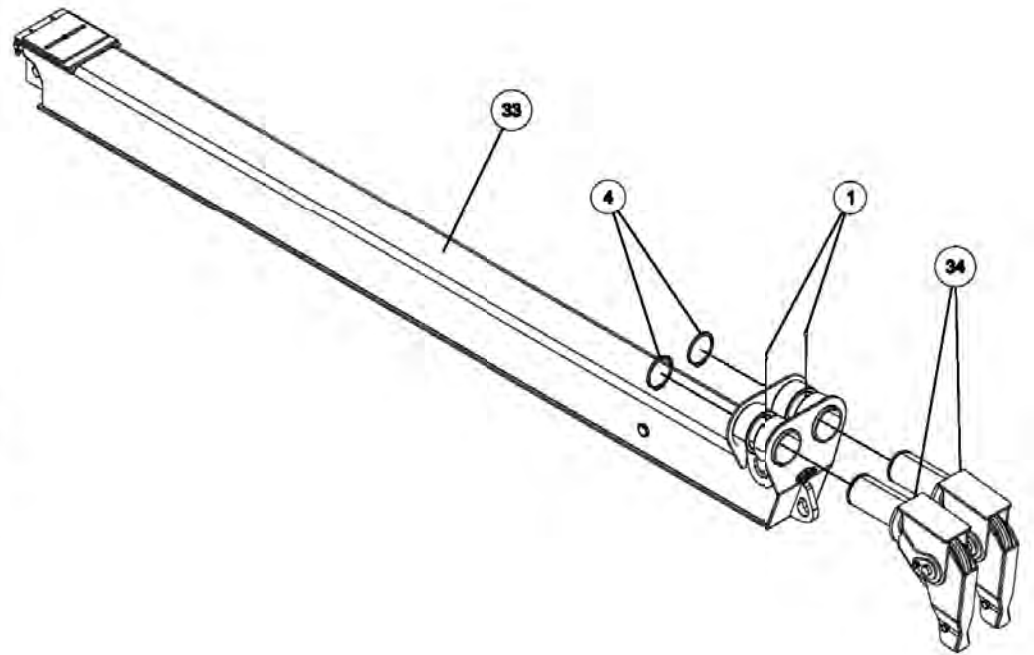
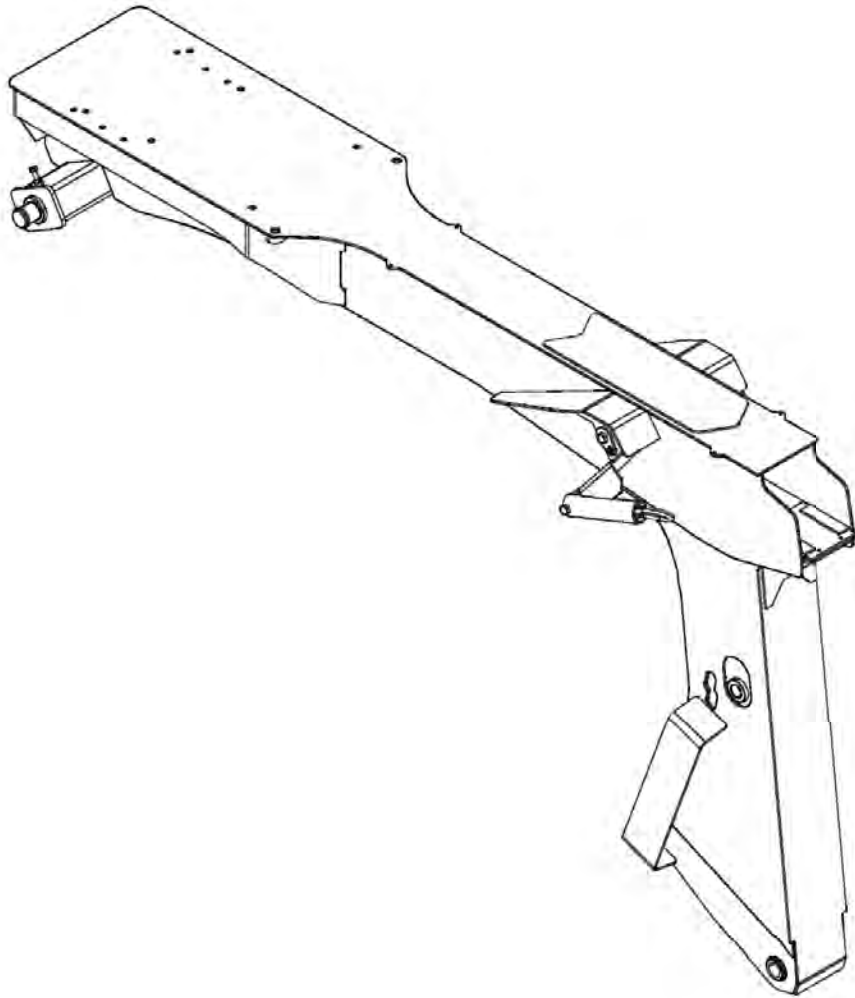
Section I - PARTS

0911730, 3212/V30 LONG TOWER BOOM ASSEMBLY (cont'd)

ITEM	PART NUMBER	DESCRIPTION	QTY
1	0300113	GREASE FITTING, 1/4-28 STR	3
2	0301388	ELBOW, 8MJ-8MB90	4
3	0301522	ADAPTER, 6MJ-6MB	2
4	0301814	RETAINING RING, 3-1/2" EXTERNAL	2
5	0302000	HOSE HYD, 24"	2
6	0302340	BUSHING HEX (BRASS) 4MP-2FP	2
7	0302514	ADAPTER 8MJ-6MJ	8
8	0302776	SNAP RING,EXTERNAL 2	2
9	0400066	SCREW, 1/4-20X3/4 HHC GR5	2
10	0400103	SCREW, 5/16-18X1-1/4 HHC GR5	4
11	0400141	SCREW, 3/8-16X7/8 HHC GR5	2
12	0400149	SCREW, 3/8-16X5/8 HHC GR5	2
13	0400253	SCREW, 5/8-11X1-3/4 HHC GR5	4
14	0400382	NUT, 5/16-18 LOK	4
15	0400410	NUT, 1/2-13 JAM	2
16	0400421	NUT, 5/8-11 LOK	4
17	0400452	LKWASHER, 1/4	2
18	0400463	WASHER, 5/16	4
19	0400482	LKWASHER, 3/8	4
20	0400491	LKWASHER, 1/2	12
21	0400505	WASHER, 5/8 SAE	8
22	0400633	SCREW, 1/2-13X1-1/2 HHC GR8	12
23	0708519	PLATE, COVER BOOM UPPER	1
24	0725769	PIN - MAIN BOOM PIVOT	1
25	0810378	3212/V30 BOOM WLMT LONG TWR	1
26	0906572	KIT-WINCH CABLE STOW	2
27	3012-792001	PLATE - PAD CAGE 3014-920000	1
28	3012-801000	PIN WELD'- LIFT CYL UP.& LOWER	2
29	3014-700002	PIN - FOLD (BASE)	1
30	3014-791001	PLATE - 14K WASHER 3014-910000	4
31	3014-792001	PLATE - CABLE WING	2
32	3014-821000	BRACKET WELD'T - 14K DP	1
33	3014-930000	INNER BOOM ASSEMBLY	1
34	3014-931000	SHEAVE ASSEMBLY - 3014	2
35	511-5000001	CYL, HYD - STING. TILT 17.5"ST	1
36	514-1501101	WINCH 15K - DP 15J ER1582	2
37	516-0807801	TUBE ASSY -HYD UNDER MAIN BOOM	4
38	541-5050219	HHCS 1/2-13 X 3 FULL THRD ZP	2
39	566-0840000	4-TUBE CLAMP SET 1/2 STAUFF	2
40	806510001	FLANGE BEARING (ALUM. BRONZE)	2
41	880060002	NYLATRON PAD (STINGER UPPER)	2
42	897400001	FRONT PIN	1
43	9010030	FITT, BRASS ELBOW 1/4T-1/8MPX	2
44	9056125	1.25 NOM HVY DUTY RET RING EXT	2
45	9056150	RETAINING RING - 1 1/2	2

Section I - PARTS

0911730, 3212/V30 LONG TOWER BOOM ASSEMBLY (cont'd)



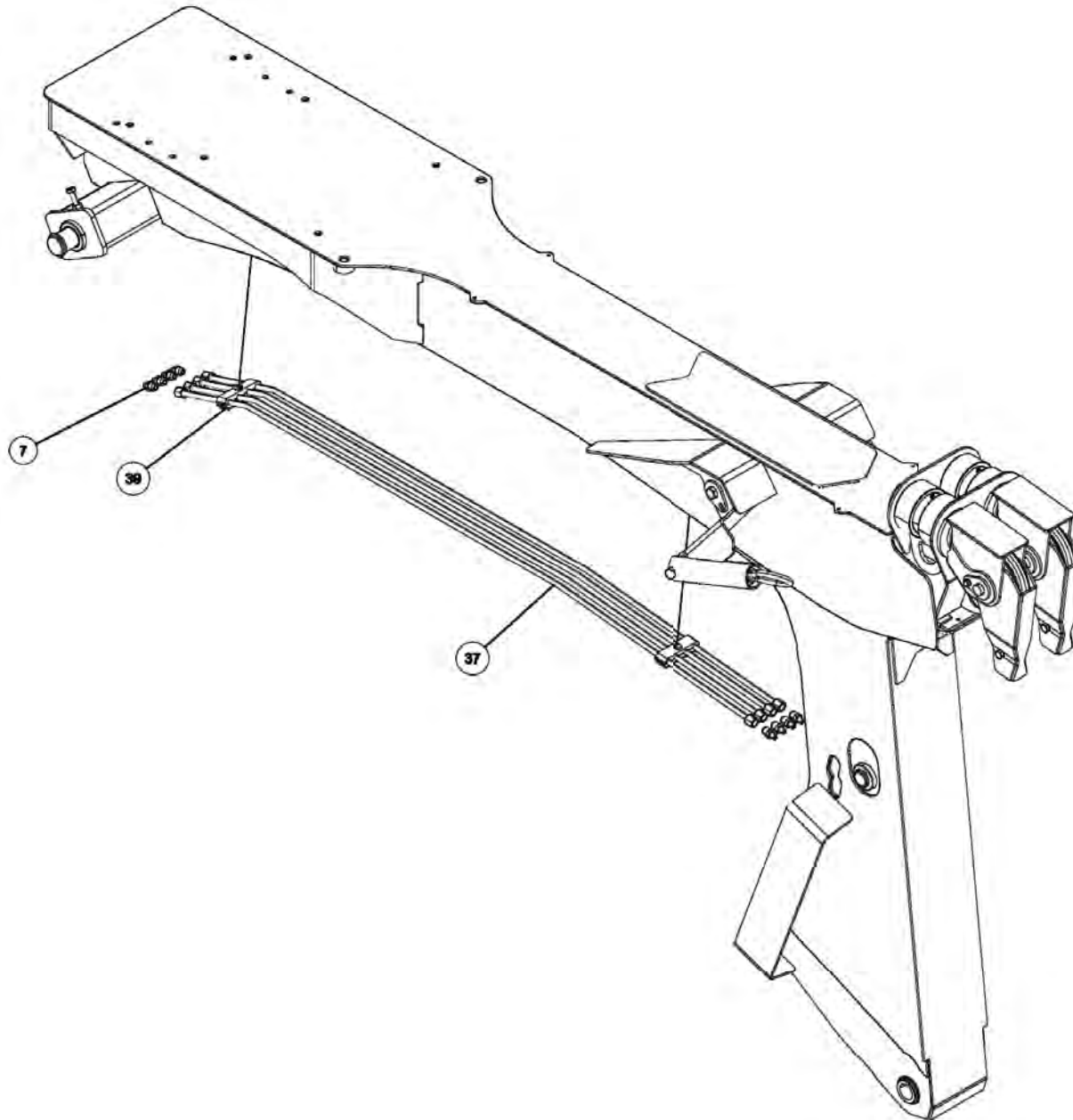
Section I - PARTS

0911730, 3212/V30 LONG TOWER BOOM ASSEMBLY (cont'd)

ITEM	PART NUMBER	DESCRIPTION	QTY
1	0300113	GREASE FITTING, 1/4-28 STR	3
2	0301388	ELBOW, 8MJ-8MB90	4
3	0301522	ADAPTER, 6MJ-6MB	2
4	0301814	RETAINING RING, 3-1/2" EXTERNAL	2
5	0302000	HOSE HYD, 24"	2
6	0302340	BUSHING HEX (BRASS) 4MP-2FP	2
7	0302514	ADAPTER 8MJ-6MJ	8
8	0302776	SNAP RING,EXTERNAL 2	2
9	0400066	SCREW, 1/4-20X3/4 HHC GR5	2
10	0400103	SCREW, 5/16-18X1-1/4 HHC GR5	4
11	0400141	SCREW, 3/8-16X7/8 HHC GR5	2
12	0400149	SCREW, 3/8-16X5/8 HHC GR5	2
13	0400253	SCREW, 5/8-11X1-3/4 HHC GR5	4
14	0400382	NUT, 5/16-18 LOK	4
15	0400410	NUT, 1/2-13 JAM	2
16	0400421	NUT, 5/8-11 LOK	4
17	0400452	LKWASHER, 1/4	2
18	0400463	WASHER, 5/16	4
19	0400482	LKWASHER, 3/8	4
20	0400491	LKWASHER, 1/2	12
21	0400505	WASHER, 5/8 SAE	8
22	0400633	SCREW, 1/2-13X1-1/2 HHC GR8	12
23	0708519	PLATE, COVER BOOM UPPER	1
24	0725769	PIN - MAIN BOOM PIVOT	1
25	0810378	3212/V30 BOOM WLMT LONG TWR	1
26	0906572	KIT-WINCH CABLE STOW	2
27	3012-792001	PLATE - PAD CAGE 3014-920000	1
28	3012-801000	PIN WELD'- LIFT CYL UP.& LOWER	2
29	3014-700002	PIN - FOLD (BASE)	1
30	3014-791001	PLATE - 14K WASHER 3014-910000	4
31	3014-792001	PLATE - CABLE WING	2
32	3014-821000	BRACKET WELD'T - 14K DP	1
33	3014-930000	INNER BOOM ASSEMBLY	1
34	3014-931000	SHEAVE ASSEMBLY - 3014	2
35	511-5000001	CYL, HYD - STING. TILT 17.5"ST	1
36	514-1501101	WINCH 15K - DP 15J ER1582	2
37	516-0807801	TUBE ASSY -HYD UNDER MAIN BOOM	4
38	541-5050219	HHCS 1/2-13 X 3 FULL THRD ZP	2
39	566-0840000	4-TUBE CLAMP SET 1/2 STAUFF	2
40	806510001	FLANGE BEARING (ALUM. BRONZE)	2
41	880060002	NYLATRON PAD (STINGER UPPER)	2
42	897400001	FRONT PIN	1
43	9010030	FITT, BRASS ELBOW 1/4T-1/8MPX	2
44	9056125	1.25 NOM HVY DUTY RET RING EXT	2
45	9056150	RETAINING RING - 1 1/2	2

Section I - PARTS

0911730, 3212/V30 LONG TOWER BOOM ASSEMBLY (cont'd)



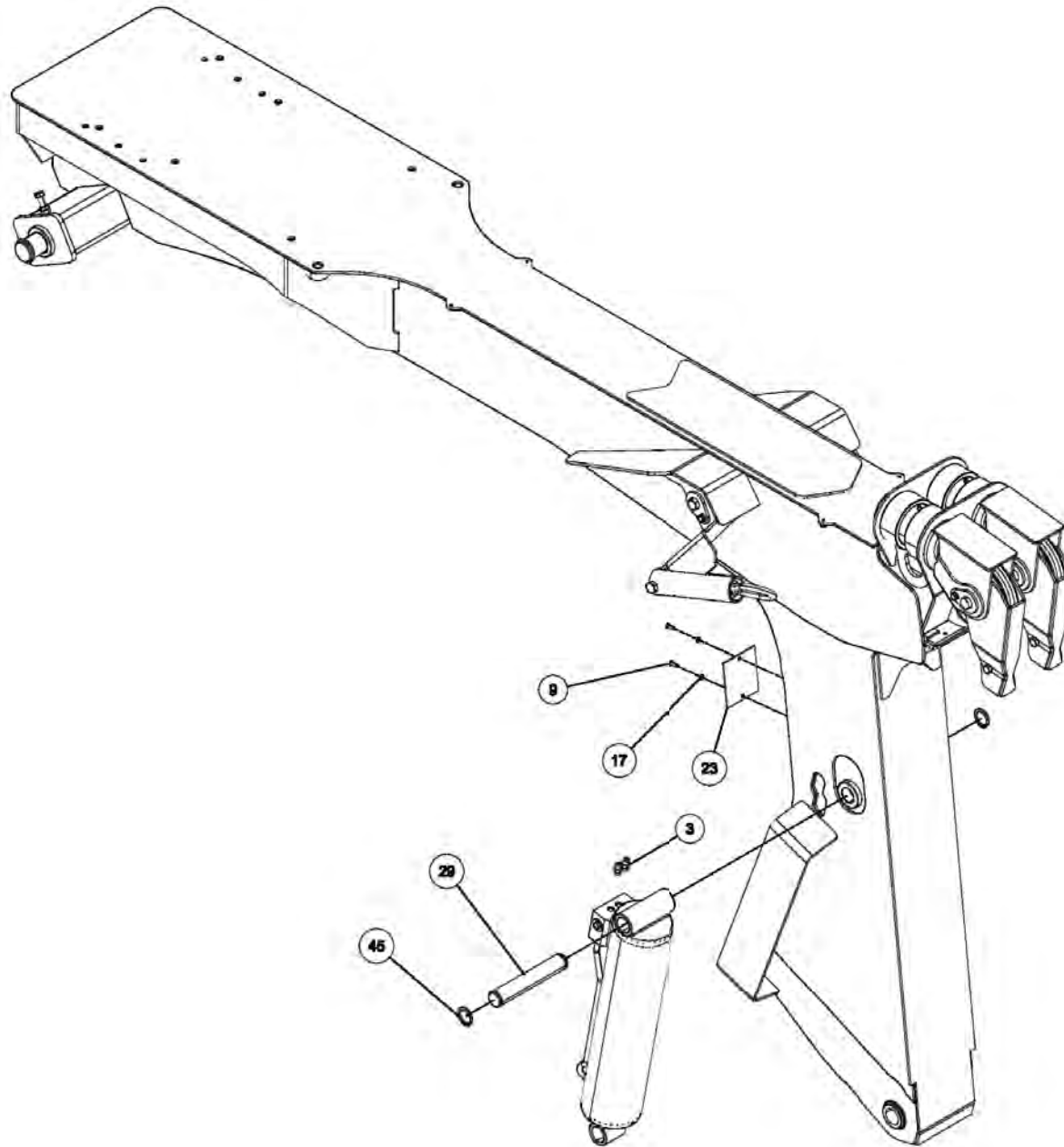
Section I - PARTS

0911730, 3212/V30 LONG TOWER BOOM ASSEMBLY (cont'd)

ITEM	PART NUMBER	DESCRIPTION	QTY
1	0300113	GREASE FITTING, 1/4-28 STR	3
2	0301388	ELBOW, 8MJ-8MB90	4
3	0301522	ADAPTER, 6MJ-6MB	2
4	0301814	RETAINING RING, 3-1/2" EXTERNAL	2
5	0302000	HOSE HYD, 24"	2
6	0302340	BUSHING HEX (BRASS) 4MP-2FP	2
7	0302514	ADAPTER 8MJ-6MJ	8
8	0302776	SNAP RING,EXTERNAL 2	2
9	0400066	SCREW, 1/4-20X3/4 HHC GR5	2
10	0400103	SCREW, 5/16-18X1-1/4 HHC GR5	4
11	0400141	SCREW, 3/8-16X7/8 HHC GR5	2
12	0400149	SCREW, 3/8-16X5/8 HHC GR5	2
13	0400253	SCREW, 5/8-11X1-3/4 HHC GR5	4
14	0400382	NUT, 5/16-18 LOK	4
15	0400410	NUT, 1/2-13 JAM	2
16	0400421	NUT, 5/8-11 LOK	4
17	0400452	LKWASHER, 1/4	2
18	0400463	WASHER, 5/16	4
19	0400482	LKWASHER, 3/8	4
20	0400491	LKWASHER, 1/2	12
21	0400505	WASHER, 5/8 SAE	8
22	0400633	SCREW, 1/2-13X1-1/2 HHC GR8	12
23	0708519	PLATE, COVER BOOM UPPER	1
24	0725769	PIN - MAIN BOOM PIVOT	1
25	0810378	3212/V30 BOOM WLMT LONG TWR	1
26	0906572	KIT-WINCH CABLE STOW	2
27	3012-792001	PLATE - PAD CAGE 3014-920000	1
28	3012-801000	PIN WELD'- LIFT CYL UP.& LOWER	2
29	3014-700002	PIN - FOLD (BASE)	1
30	3014-791001	PLATE - 14K WASHER 3014-910000	4
31	3014-792001	PLATE - CABLE WING	2
32	3014-821000	BRACKET WELD'T - 14K DP	1
33	3014-930000	INNER BOOM ASSEMBLY	1
34	3014-931000	SHEAVE ASSEMBLY - 3014	2
35	511-5000001	CYL, HYD - STING. TILT 17.5"ST	1
36	514-1501101	WINCH 15K - DP 15J ER1582	2
37	516-0807801	TUBE ASSY -HYD UNDER MAIN BOOM	4
38	541-5050219	HHCS 1/2-13 X 3 FULL THRD ZP	2
39	566-0840000	4-TUBE CLAMP SET 1/2 STAUFF	2
40	806510001	FLANGE BEARING (ALUM. BRONZE)	2
41	880060002	NYLATRON PAD (STINGER UPPER)	2
42	897400001	FRONT PIN	1
43	9010030	FITT, BRASS ELBOW 1/4T-1/8MPX	2
44	9056125	1.25 NOM HVY DUTY RET RING EXT	2
45	9056150	RETAINING RING - 1 1/2	2

Section I - PARTS

0911730, 3212/V30 LONG TOWER BOOM ASSEMBLY (cont'd)



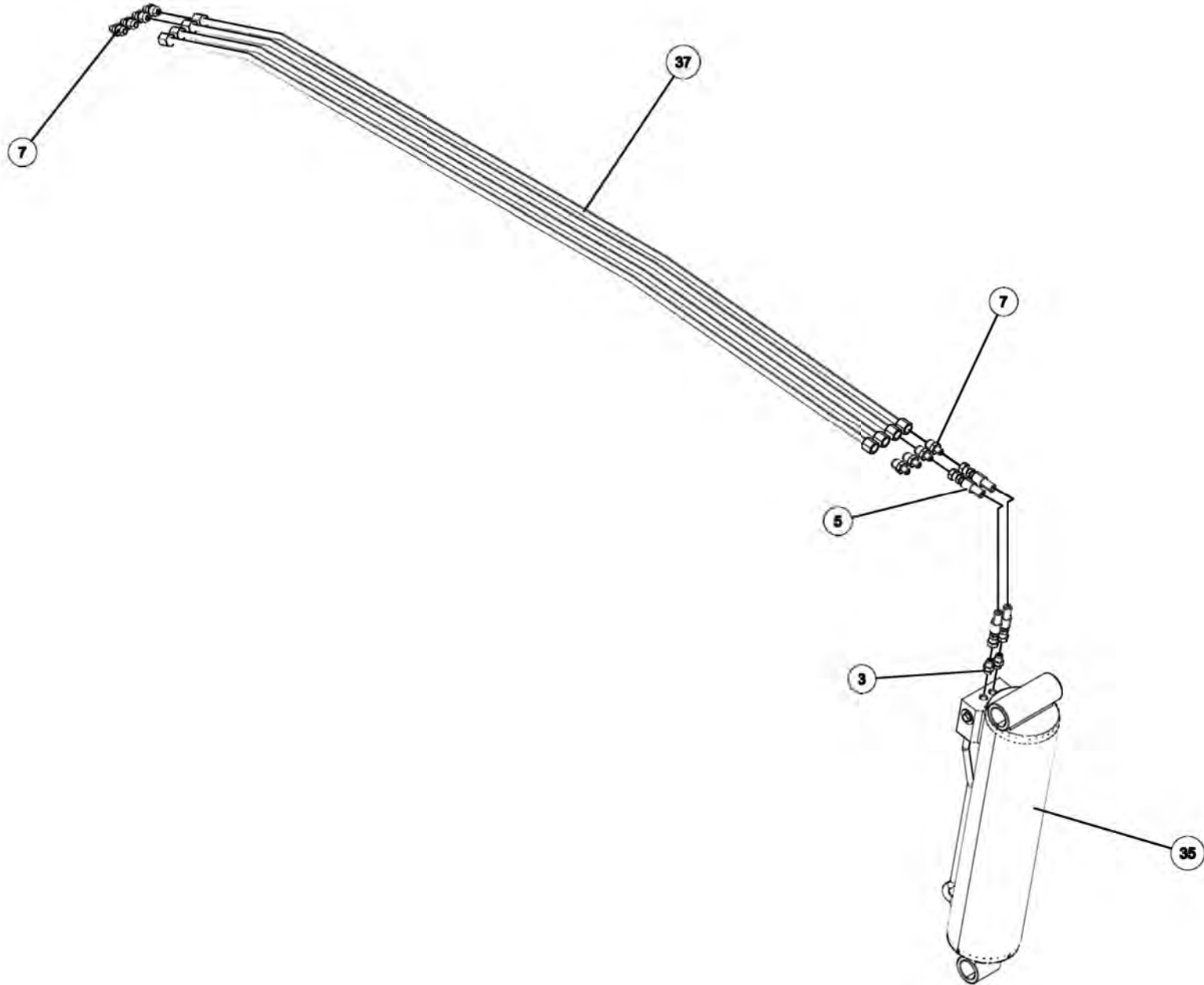
Section I - PARTS

0911730, 3212/V30 LONG TOWER BOOM ASSEMBLY (cont'd)

ITEM	PART NUMBER	DESCRIPTION	QTY
1	0300113	GREASE FITTING, 1/4-28 STR	3
2	0301388	ELBOW, 8MJ-8MB90	4
3	0301522	ADAPTER, 6MJ-6MB	2
4	0301814	RETAINING RING, 3-1/2" EXTERNAL	2
5	0302000	HOSE HYD, 24"	2
6	0302340	BUSHING HEX (BRASS) 4MP-2FP	2
7	0302514	ADAPTER 8MJ-6MJ	8
8	0302776	SNAP RING,EXTERNAL 2	2
9	0400066	SCREW, 1/4-20X3/4 HHC GR5	2
10	0400103	SCREW, 5/16-18X1-1/4 HHC GR5	4
11	0400141	SCREW, 3/8-16X7/8 HHC GR5	2
12	0400149	SCREW, 3/8-16X5/8 HHC GR5	2
13	0400253	SCREW, 5/8-11X1-3/4 HHC GR5	4
14	0400382	NUT, 5/16-18 LOK	4
15	0400410	NUT, 1/2-13 JAM	2
16	0400421	NUT, 5/8-11 LOK	4
17	0400452	LKWASHER, 1/4	2
18	0400463	WASHER, 5/16	4
19	0400482	LKWASHER, 3/8	4
20	0400491	LKWASHER, 1/2	12
21	0400505	WASHER, 5/8 SAE	8
22	0400633	SCREW, 1/2-13X1-1/2 HHC GR8	12
23	0708519	PLATE, COVER BOOM UPPER	1
24	0725769	PIN - MAIN BOOM PIVOT	1
25	0810378	3212/V30 BOOM WLMT LONG TWR	1
26	0906572	KIT-WINCH CABLE STOW	2
27	3012-792001	PLATE - PAD CAGE 3014-920000	1
28	3012-801000	PIN WELD'- LIFT CYL UP.& LOWER	2
29	3014-700002	PIN - FOLD (BASE)	1
30	3014-791001	PLATE - 14K WASHER 3014-910000	4
31	3014-792001	PLATE - CABLE WING	2
32	3014-821000	BRACKET WELD'T - 14K DP	1
33	3014-930000	INNER BOOM ASSEMBLY	1
34	3014-931000	SHEAVE ASSEMBLY - 3014	2
35	511-5000001	CYL, HYD - STING. TILT 17.5"ST	1
36	514-1501101	WINCH 15K - DP 15J ER1582	2
37	516-0807801	TUBE ASSY -HYD UNDER MAIN BOOM	4
38	541-5050219	HHCS 1/2-13 X 3 FULL THRD ZP	2
39	566-0840000	4-TUBE CLAMP SET 1/2 STAUFF	2
40	806510001	FLANGE BEARING (ALUM. BRONZE)	2
41	880060002	NYLATRON PAD (STINGER UPPER)	2
42	897400001	FRONT PIN	1
43	9010030	FITT, BRASS ELBOW 1/4T-1/8MPX	2
44	9056125	1.25 NOM HVY DUTY RET RING EXT	2
45	9056150	RETAINING RING - 1 1/2	2

Section I - PARTS

0911730, 3212/V30 LONG TOWER BOOM ASSEMBLY (cont'd)



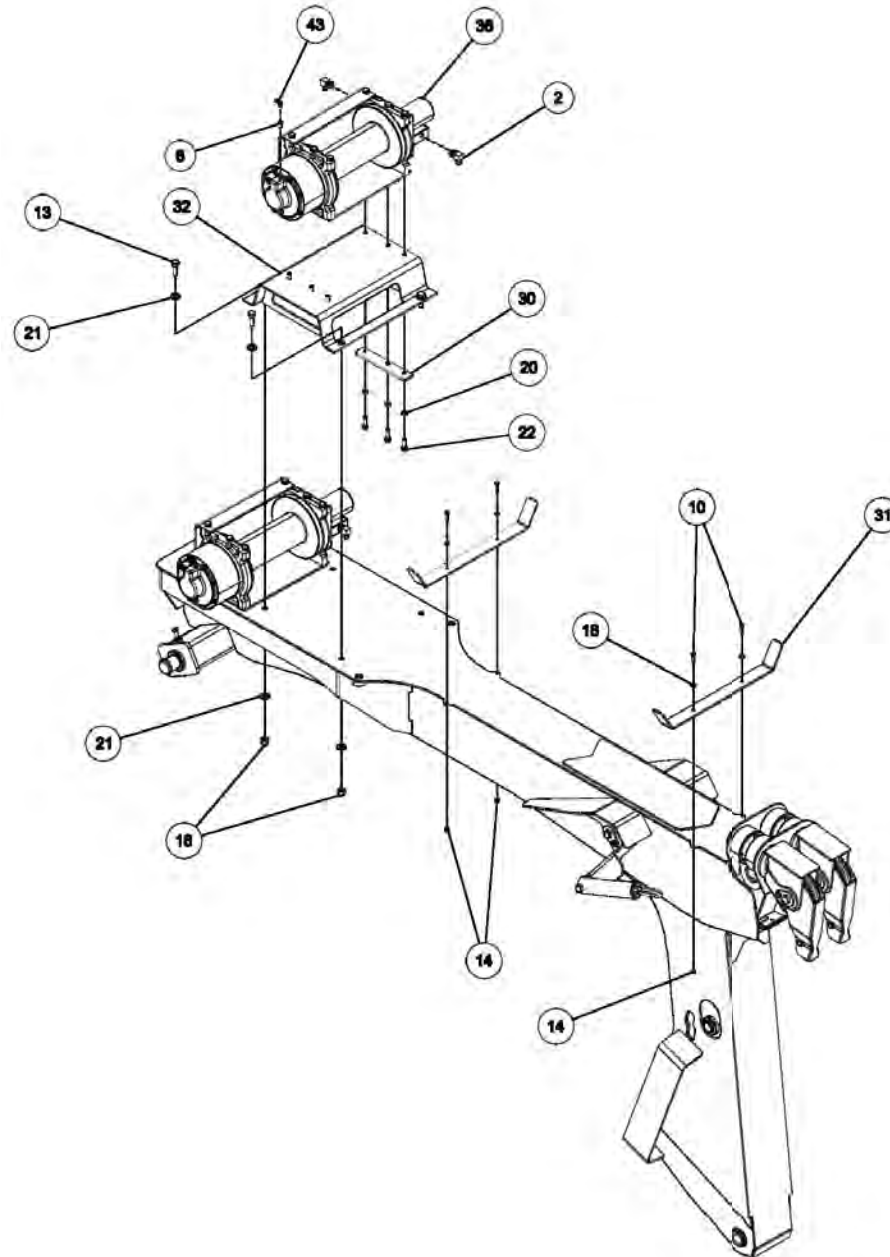
Section I - PARTS

0911730, 3212/V30 LONG TOWER BOOM ASSEMBLY (cont'd)

ITEM	PART NUMBER	DESCRIPTION	QTY
1	0300113	GREASE FITTING, 1/4-28 STR	3
2	0301388	ELBOW, 8MJ-8MB90	4
3	0301522	ADAPTER, 6MJ-6MB	2
4	0301814	RETAINING RING, 3-1/2" EXTERNAL	2
5	0302000	HOSE HYD, 24"	2
6	0302340	BUSHING HEX (BRASS) 4MP-2FP	2
7	0302514	ADAPTER 8MJ-6MJ	8
8	0302776	SNAP RING,EXTERNAL 2	2
9	0400066	SCREW, 1/4-20X3/4 HHC GR5	2
10	0400103	SCREW, 5/16-18X1-1/4 HHC GR5	4
11	0400141	SCREW, 3/8-16X7/8 HHC GR5	2
12	0400149	SCREW, 3/8-16X5/8 HHC GR5	2
13	0400253	SCREW, 5/8-11X1-3/4 HHC GR5	4
14	0400382	NUT, 5/16-18 LOK	4
15	0400410	NUT, 1/2-13 JAM	2
16	0400421	NUT, 5/8-11 LOK	4
17	0400452	LKWASHER, 1/4	2
18	0400463	WASHER, 5/16	4
19	0400482	LKWASHER, 3/8	4
20	0400491	LKWASHER, 1/2	12
21	0400505	WASHER, 5/8 SAE	8
22	0400633	SCREW, 1/2-13X1-1/2 HHC GR8	12
23	0708519	PLATE, COVER BOOM UPPER	1
24	0725769	PIN - MAIN BOOM PIVOT	1
25	0810378	3212/V30 BOOM WLMT LONG TWR	1
26	0906572	KIT-WINCH CABLE STOW	2
27	3012-792001	PLATE - PAD CAGE 3014-920000	1
28	3012-801000	PIN WELD'- LIFT CYL UP.& LOWER	2
29	3014-700002	PIN - FOLD (BASE)	1
30	3014-791001	PLATE - 14K WASHER 3014-910000	4
31	3014-792001	PLATE - CABLE WING	2
32	3014-821000	BRACKET WELD'T - 14K DP	1
33	3014-930000	INNER BOOM ASSEMBLY	1
34	3014-931000	SHEAVE ASSEMBLY - 3014	2
35	511-5000001	CYL, HYD - STING. TILT 17.5"ST	1
36	514-1501101	WINCH 15K - DP 15J ER1582	2
37	516-0807801	TUBE ASSY -HYD UNDER MAIN BOOM	4
38	541-5050219	HHCS 1/2-13 X 3 FULL THRD ZP	2
39	566-0840000	4-TUBE CLAMP SET 1/2 STAUFF	2
40	806510001	FLANGE BEARING (ALUM. BRONZE)	2
41	880060002	NYLATRON PAD (STINGER UPPER)	2
42	897400001	FRONT PIN	1
43	9010030	FITT, BRASS ELBOW 1/4T-1/8MPX	2
44	9056125	1.25 NOM HVY DUTY RET RING EXT	2
45	9056150	RETAINING RING - 1 1/2	2

Section I - PARTS

0911730, 3212/V30 LONG TOWER BOOM ASSEMBLY (cont'd)



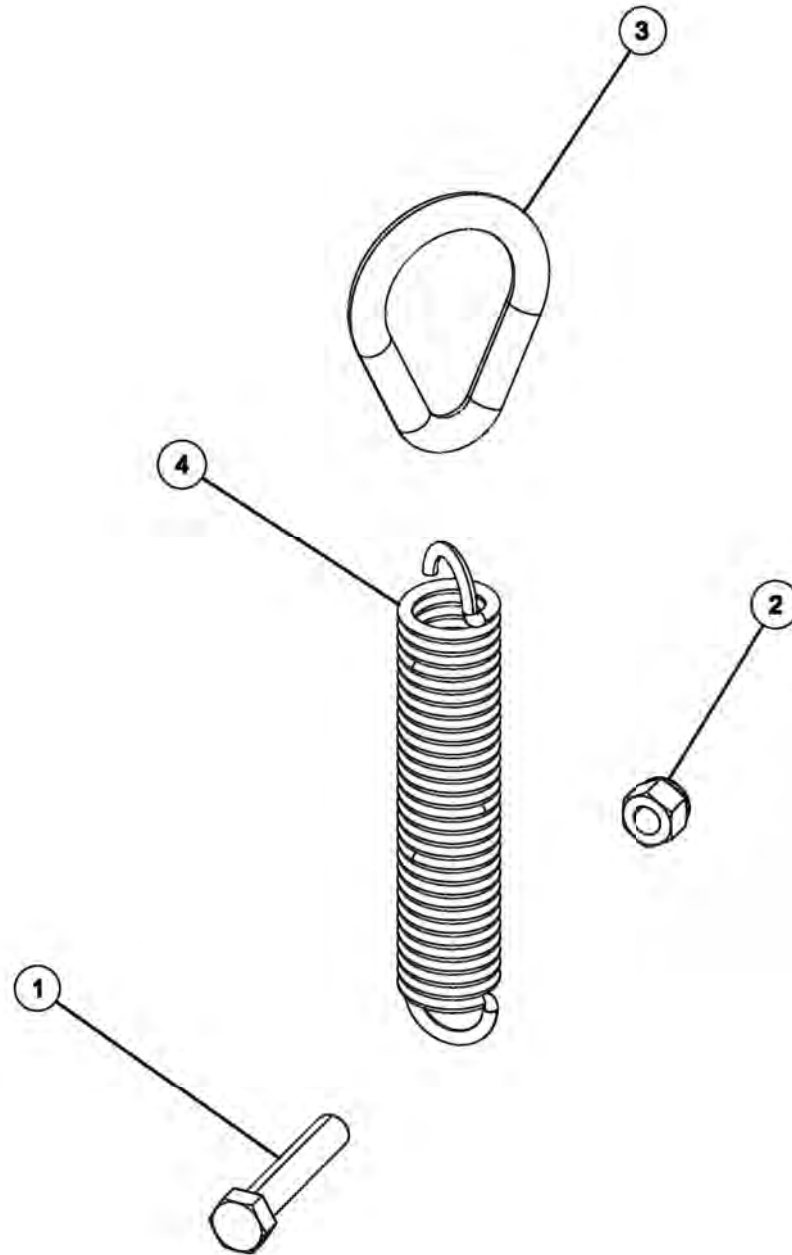
Section I - PARTS

0911730, 3212/V30 LONG TOWER BOOM ASSEMBLY (cont'd)

ITEM	PART NUMBER	DESCRIPTION	QTY
1	0300113	GREASE FITTING, 1/4-28 STR	3
2	0301388	ELBOW, 8MJ-8MB90	4
3	0301522	ADAPTER, 6MJ-6MB	2
4	0301814	RETAINING RING, 3-1/2" EXTERNAL	2
5	0302000	HOSE HYD, 24"	2
6	0302340	BUSHING HEX (BRASS) 4MP-2FP	2
7	0302514	ADAPTER 8MJ-6MJ	8
8	0302776	SNAP RING,EXTERNAL 2	2
9	0400066	SCREW, 1/4-20X3/4 HHC GR5	2
10	0400103	SCREW, 5/16-18X1-1/4 HHC GR5	4
11	0400141	SCREW, 3/8-16X7/8 HHC GR5	2
12	0400149	SCREW, 3/8-16X5/8 HHC GR5	2
13	0400253	SCREW, 5/8-11X1-3/4 HHC GR5	4
14	0400382	NUT, 5/16-18 LOK	4
15	0400410	NUT, 1/2-13 JAM	2
16	0400421	NUT, 5/8-11 LOK	4
17	0400452	LKWASHER, 1/4	2
18	0400463	WASHER, 5/16	4
19	0400482	LKWASHER, 3/8	4
20	0400491	LKWASHER, 1/2	12
21	0400505	WASHER, 5/8 SAE	8
22	0400633	SCREW, 1/2-13X1-1/2 HHC GR8	12
23	0708519	PLATE, COVER BOOM UPPER	1
24	0725769	PIN - MAIN BOOM PIVOT	1
25	0810378	3212/V30 BOOM WLMT LONG TWR	1
26	0906572	KIT-WINCH CABLE STOW	2
27	3012-792001	PLATE - PAD CAGE 3014-920000	1
28	3012-801000	PIN WELD'- LIFT CYL UP.& LOWER	2
29	3014-700002	PIN - FOLD (BASE)	1
30	3014-791001	PLATE - 14K WASHER 3014-910000	4
31	3014-792001	PLATE - CABLE WING	2
32	3014-821000	BRACKET WELD'T - 14K DP	1
33	3014-930000	INNER BOOM ASSEMBLY	1
34	3014-931000	SHEAVE ASSEMBLY - 3014	2
35	511-5000001	CYL, HYD - STING. TILT 17.5"ST	1
36	514-1501101	WINCH 15K - DP 15J ER1582	2
37	516-0807801	TUBE ASSY -HYD UNDER MAIN BOOM	4
38	541-5050219	HHCS 1/2-13 X 3 FULL THRD ZP	2
39	566-0840000	4-TUBE CLAMP SET 1/2 STAUFF	2
40	806510001	FLANGE BEARING (ALUM. BRONZE)	2
41	880060002	NYLATRON PAD (STINGER UPPER)	2
42	897400001	FRONT PIN	1
43	9010030	FITT, BRASS ELBOW 1/4T-1/8MPX	2
44	9056125	1.25 NOM HVY DUTY RET RING EXT	2
45	9056150	RETAINING RING - 1 1/2	2

Section I - PARTS

0906572, WINCH CABLE STOW KIT



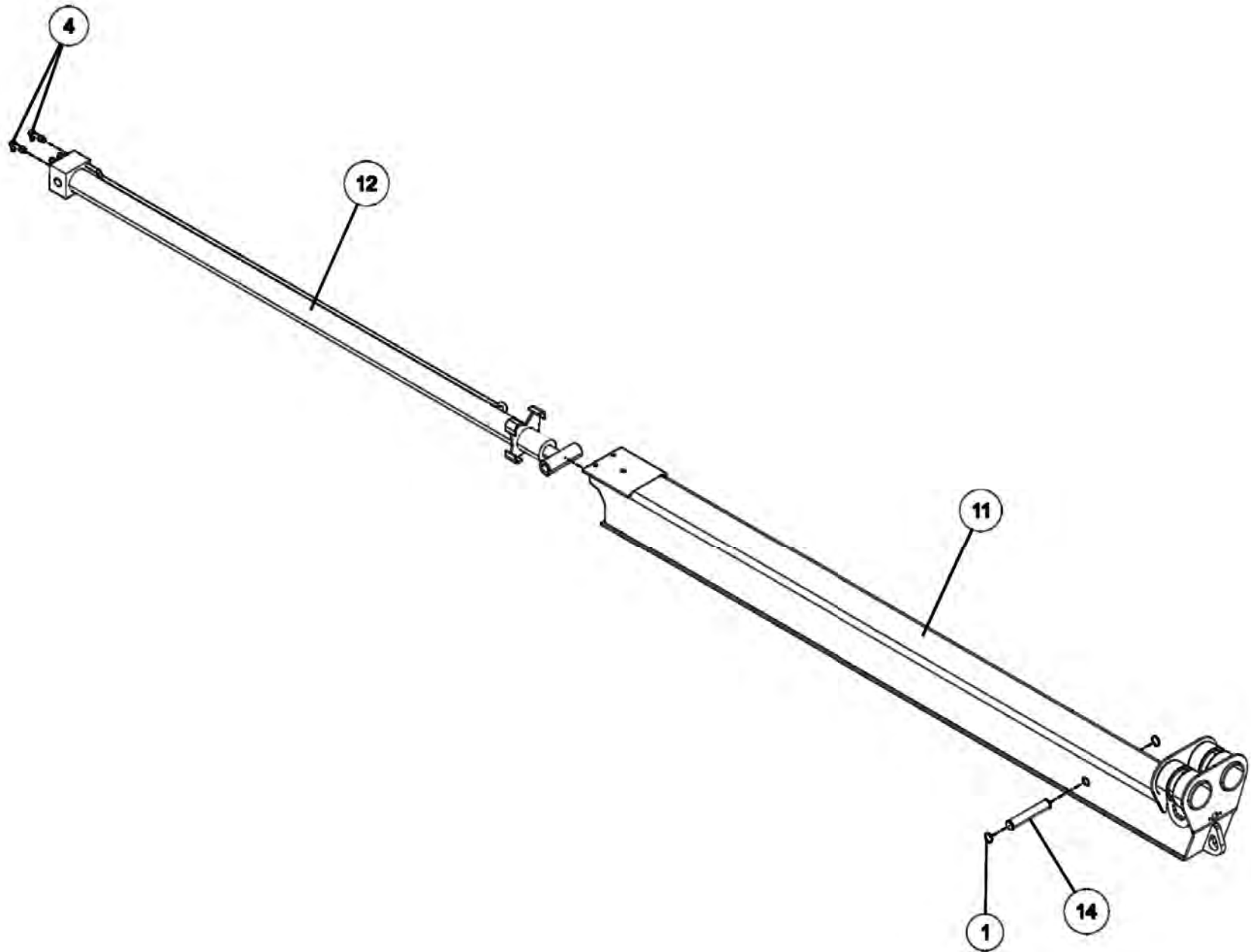
Section I - PARTS

0906572, WINCH CABLE STOW KIT (cont'd)

ITEM	PART NUMBER	DESCRIPTION	QTY
1	0400257	SCREW, 5/8-11X3-1/4 HHC GR5	1
2	0400421	NUT, 5/8-11 LOK	1
3	9048800	5/8 WELDLESS CHAIN LINK	1
4	945030007	CABLE TIE BACK SPRING-1	1

Section I - PARTS

3014-930000, INNER BOOM ASSEMBLY



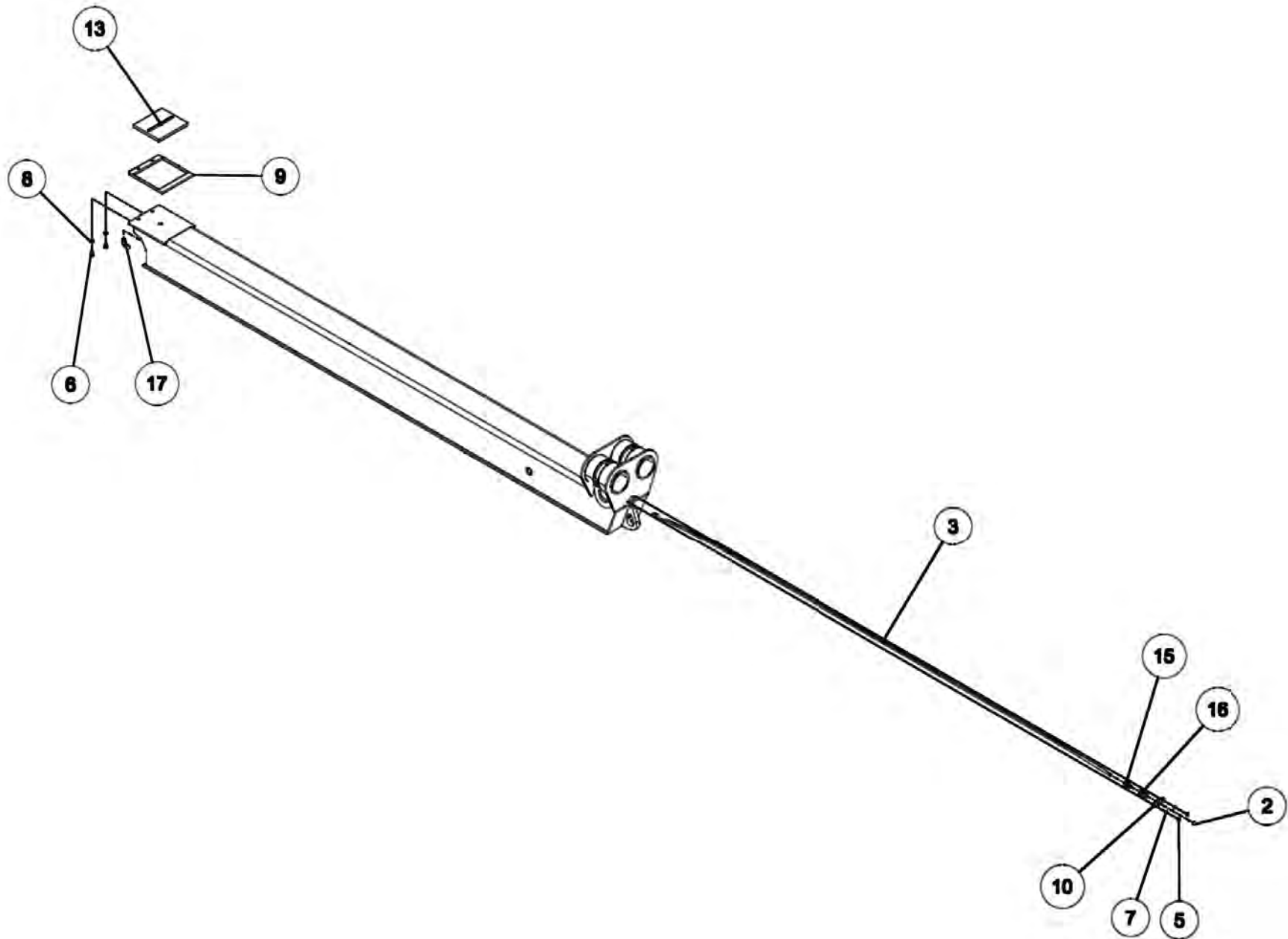
Section I - PARTS

3014-930000, INNER BOOM ASSEMBLY (cont'd)

ITEM	PART NUMBER	DESCRIPTION	QTY
1	0301642	SNAP RING, 1-1/4 DIA	2
2	0301895	GREASE FITTING, 1/8 STR PTF	1
3	0301949	3/8" OD AIRLINE, SYNDFLEX HOSE	10
4	0307460	FITTING, HYD 6MJ-6MB90LL	2
5	0400060	SCREW, 1/4-20X1/2 HHC GR5	2
6	0400147	SCREW, 3/8-24X5/8 HHC GR5	2
7	0400452	LKWASHER, 1/4	2
8	0400482	LKWASHER, 3/8	2
9	3012-792002	PLATE - PAD CAGE	1
10	3012-793001	PLATE - LUBE MTG.	1
11	3014-830000	INNER BOOM WELD'T - 3014	1
12	511-3000001	CYL, HYD - MAIN BOOM EXT.76"ST	1
13	535-0500001	NYLATRON PAD	1
14	897400002	REAR PIN	1
15	9012549	CONNECTOR-MALE 3/8TUBEX1	1
16	9012552	BULKHEAD ADAPTER 1/8M-1/8F NPT	1
17	9012584	ELBOW-1/4NPT X 3/8TUBE 9	1

Section I - PARTS

3014-930000, INNER BOOM ASSEMBLY (cont'd)



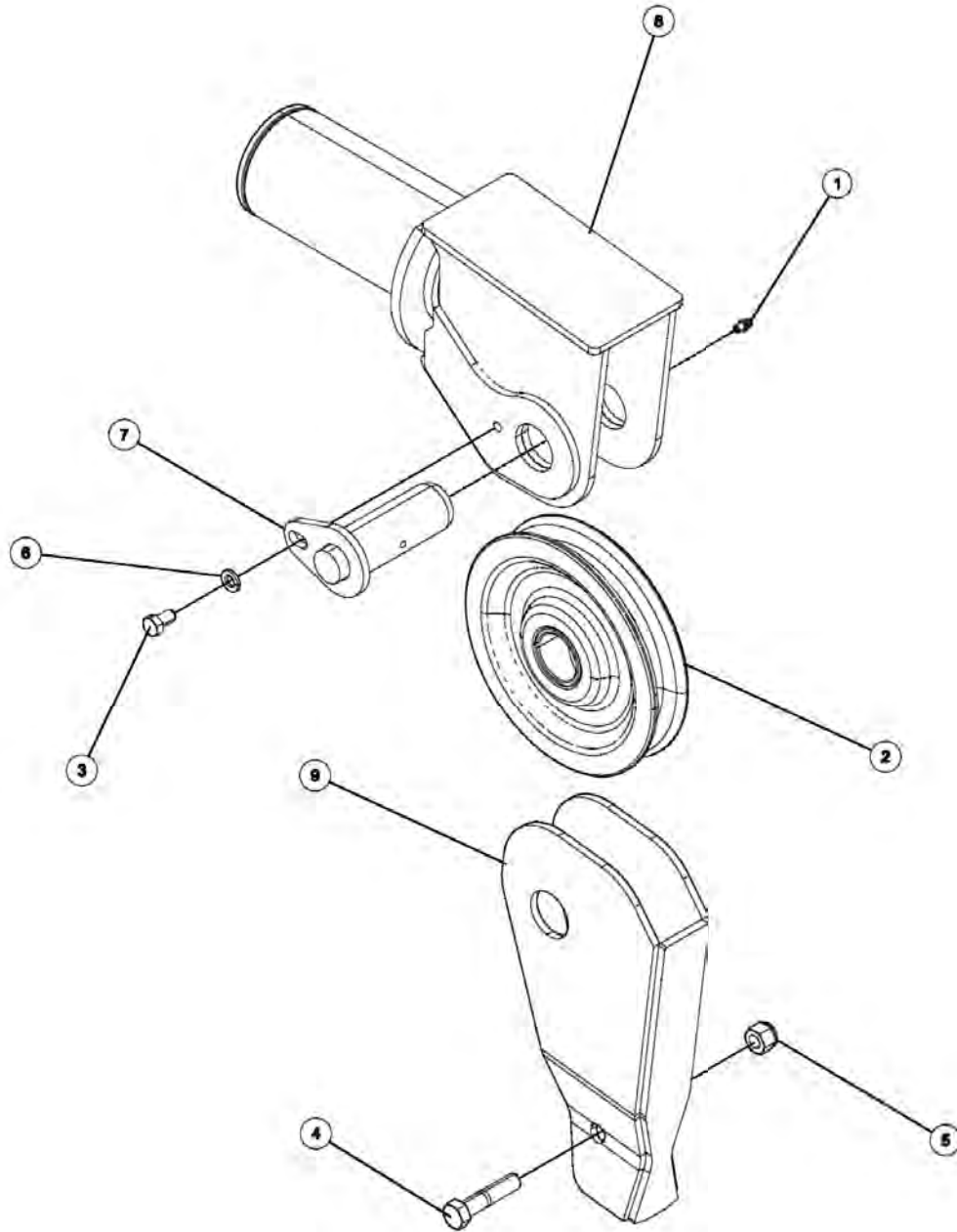
Section I - PARTS

3014-930000, INNER BOOM ASSEMBLY (cont'd)

ITEM	PART NUMBER	DESCRIPTION	QTY
1	0301642	SNAP RING, 1-1/4 DIA	2
2	0301895	GREASE FITTING, 1/8 STR PTF	1
3	0301949	3/8" OD AIRLINE, SYNDFLEX HOSE	10
4	0307460	FITTING, HYD 6MJ-6MB90LL	2
5	0400060	SCREW, 1/4-20X1/2 HHC GR5	2
6	0400147	SCREW, 3/8-24X5/8 HHC GR5	2
7	0400452	LKWASHER, 1/4	2
8	0400482	LKWASHER, 3/8	2
9	3012-792002	PLATE - PAD CAGE	1
10	3012-793001	PLATE - LUBE MTG.	1
11	3014-830000	INNER BOOM WELD'T - 3014	1
12	511-3000001	CYL, HYD - MAIN BOOM EXT.76"ST	1
13	535-0500001	NYLATRON PAD	1
14	897400002	REAR PIN	1
15	9012549	CONNECTOR-MALE 3/8TUBEX1	1
16	9012552	BULKHEAD ADAPTER 1/8M-1/8F NPT	1
17	9012584	ELBOW-1/4NPT X 3/8TUBE 9	1

Section I - PARTS

3014-931000, SHEAVE ASSEMBLY

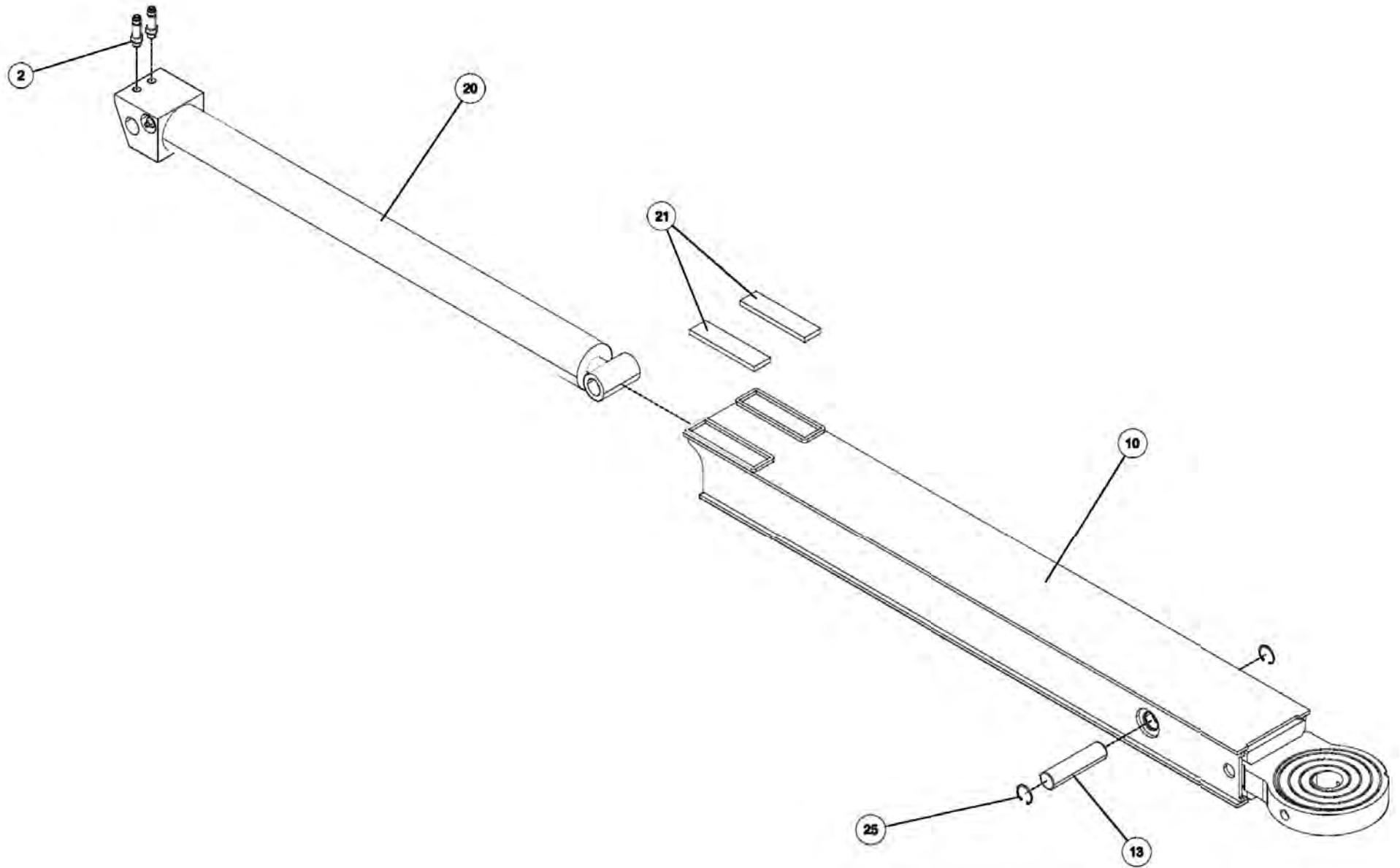


Section I - PARTS**3014-931000, SHEAVE ASSEMBLY (cont'd)**

ITEM	PART NUMBER	DESCRIPTION	QTY
1	0300113	GREASE FITTING, 1/4-28 STR	1
2	0300626	SHEAVE,8" 58SHVBBAY 1.5	1
3	0400147	SCREW, 3/8-24 X 5/8 HHC GR5	1
4	0400184	SCREW, 1/2-13 X 2-1/4 HHC GR8	1
5	0400408	NUT, 1/2-13 LOK	1
6	0400482	LKWASHER, 3/8	1
7	3014-802000	SHEAVE PIN WLMT.	1
8	3014-831000	SHEAVE WELD'T - 3014	1
9	3014-831100	GUIDE - SWIVEL	1

Section I - PARTS

0911841, 3212/V30 GEN2 UNDERLIFT BOOM ASSEMBLY



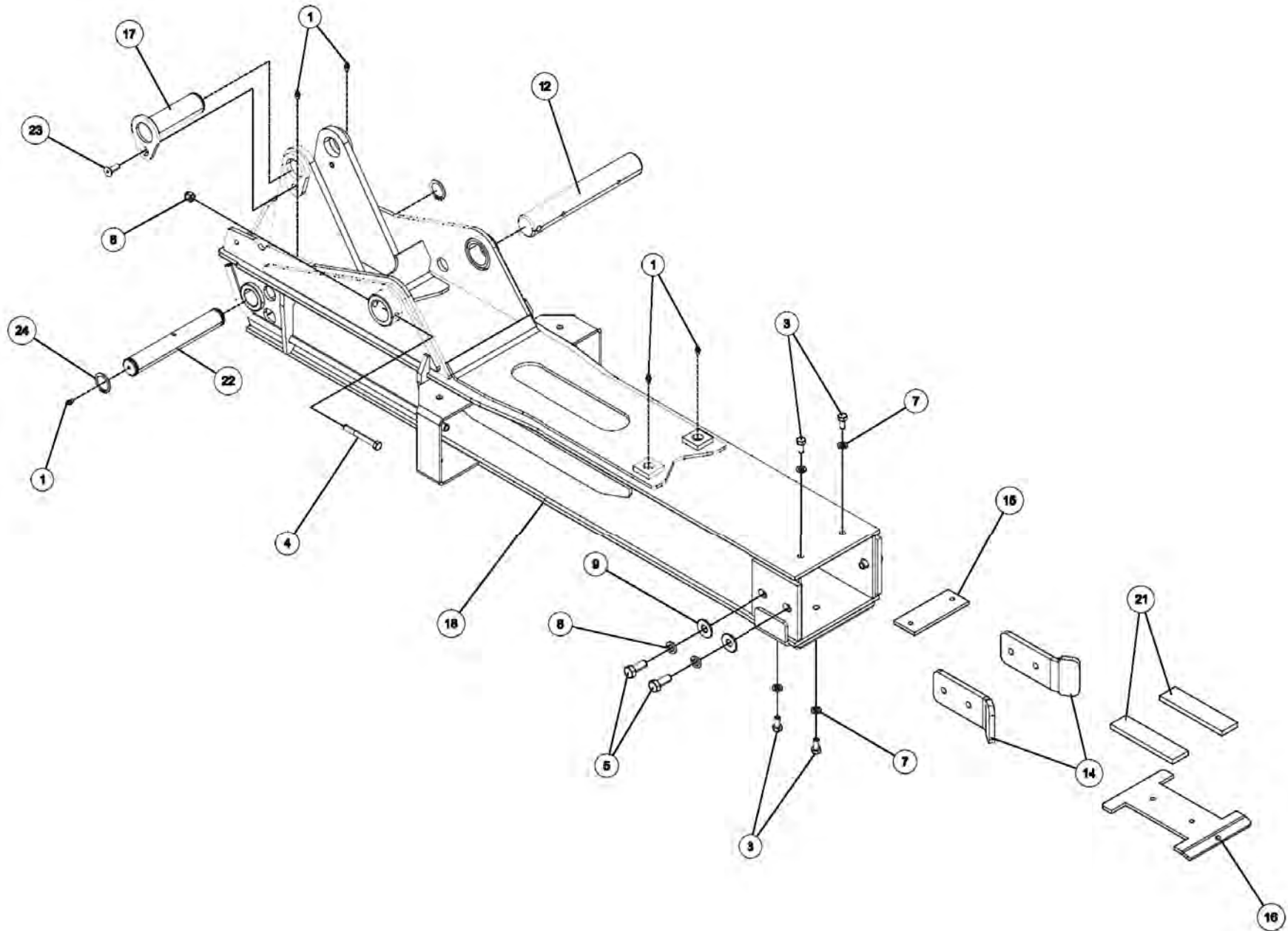
Section I - PARTS

0911841, 3212/V30 GEN2 UNDERLIFT BOOM ASSEMBLY (cont'd)

ITEM	PART NUMBER	DESCRIPTION	QTY
1	0300113	GREASE FITTING, 1/4-28 STR	5
2	0302510	ADAPTER, 6MJ-6MBL	1
3	0400121	SCREW, 3/8-16X3/4 HHC GR5	4
4	0400133	SCREW, 3/8-16X3 HHC GR5	1
5	0400218	SCREW, 1/2-20X1-1/4 HHC GR5	4
6	0400392	NUT, 3/8-16 LOK	1
7	0400482	LKWASHER, 3/8	4
8	0400491	LKWASHER, 1/2	4
9	0400492	WASHER, 1/2	4
10	0810449	INNER STINGER WLMT	1
11	0911829	CROSSBAR ASSY - 3212/V30 GEN 2	1
12	3012-700002	PIN - STINGER	1
13	3012-700003	PIN - U/L EXT (ROD)	1
14	3012-794002	PLATE - XBAR POSITIONING	2
15	3012-794003	BAR - SPACER	1
16	3012-794004	PLATE - U/L PAD CAGE 3014-9400	1
17	3014-801000	TILT CYLINDER PIN	1
18	3014-840000	U/L OUTER BOOM WELD'T - 3014-	1
19	3014-960200	KIT-CROSSBAR EXT ASSY V30/3212	1
20	511-3000002	CYL, HYD - STING. EXT. 34" STR	1
21	896040002	NYLATRON - 6 X 1 1/2 X	4
22	897400001	FRONT PIN	1
23	9044434	3/8-16X1 NC FLAT SOCKET HD CAP	1
24	9056125	1.25 NOM HVY DUTY RET RING EXT	2
25	9057125	RETAINING RING, 1-1/4 INT	2

Section I - PARTS

0911841, 3212/V30 GEN2 UNDERLIFT BOOM ASSEMBLY (cont'd)



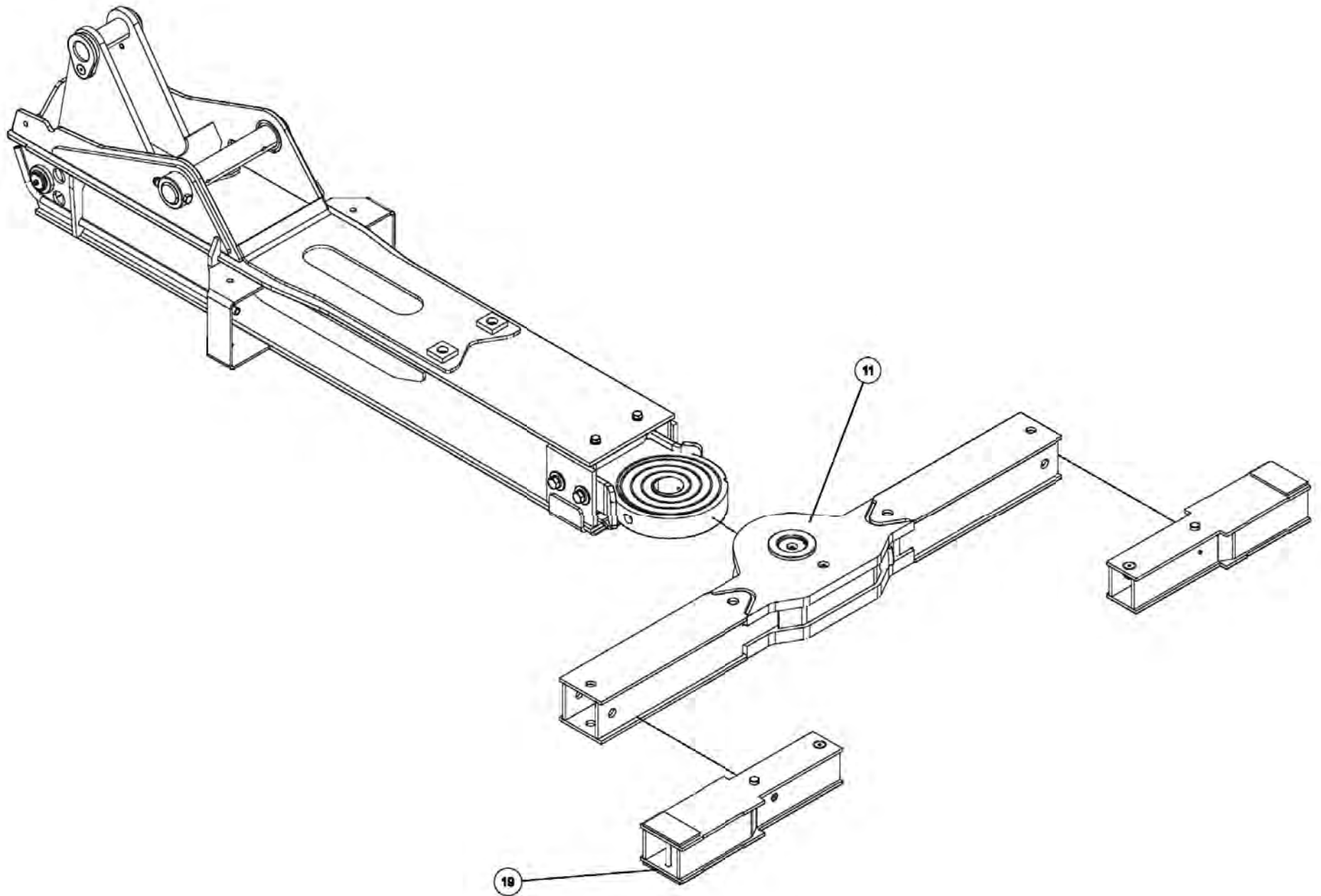
Section I - PARTS

0911841, 3212/V30 GEN2 UNDERLIFT BOOM ASSEMBLY (cont'd)

ITEM	PART NUMBER	DESCRIPTION	QTY
1	0300113	GREASE FITTING, 1/4-28 STR	5
2	0302510	ADAPTER, 6MJ-6MBL	1
3	0400121	SCREW, 3/8-16X3/4 HHC GR5	4
4	0400133	SCREW, 3/8-16X3 HHC GR5	1
5	0400218	SCREW, 1/2-20X1-1/4 HHC GR5	4
6	0400392	NUT, 3/8-16 LOK	1
7	0400482	LKWASHER, 3/8	4
8	0400491	LKWASHER, 1/2	4
9	0400492	WASHER, 1/2	4
10	0810449	INNER STINGER WLMT	1
11	0911829	CROSSBAR ASSY - 3212/V30 GEN 2	1
12	3012-700002	PIN - STINGER	1
13	3012-700003	PIN - U/L EXT (ROD)	1
14	3012-794002	PLATE - XBAR POSITIONING	2
15	3012-794003	BAR - SPACER	1
16	3012-794004	PLATE - U/L PAD CAGE 3014-9400	1
17	3014-801000	TILT CYLINDER PIN	1
18	3014-840000	U/L OUTER BOOM WELD'T - 3014-	1
19	3014-960200	KIT-CROSSBAR EXT ASSY V30/3212	1
20	511-3000002	CYL, HYD - STING. EXT. 34" STR	1
21	896040002	NYLATRON - 6 X 1 1/2 X	4
22	897400001	FRONT PIN	1
23	9044434	3/8-16X1 NC FLAT SOCKET HD CAP	1
24	9056125	1.25 NOM HVY DUTY RET RING EXT	2
25	9057125	RETAINING RING, 1-1/4 INT	2

Section I - PARTS

0911841, 3212/V30 GEN2 UNDERLIFT BOOM ASSEMBLY (cont'd)



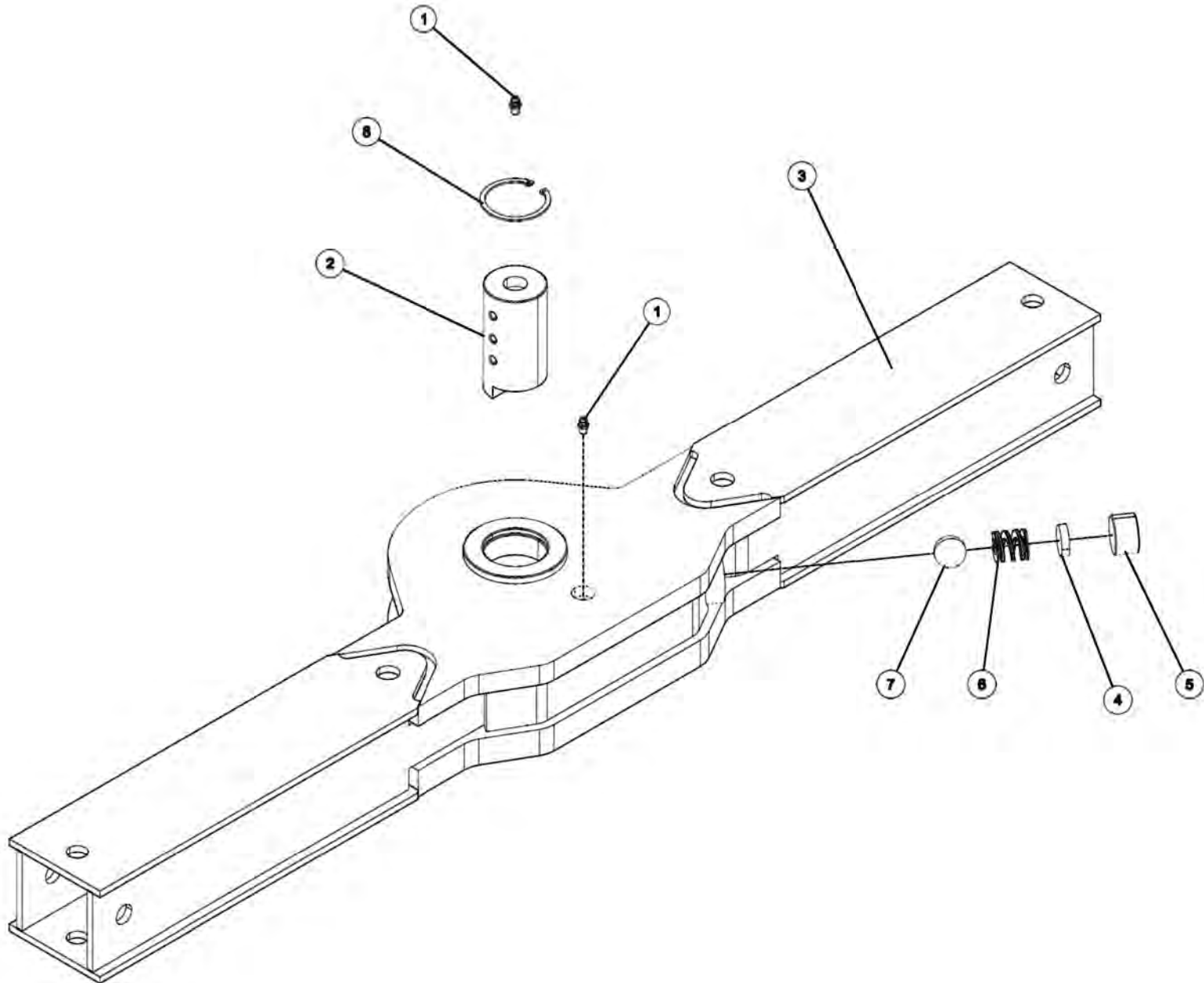
Section I - PARTS

0911841, 3212/V30 GEN2 UNDERLIFT BOOM ASSEMBLY (cont'd)

ITEM	PART NUMBER	DESCRIPTION	QTY
1	0300113	GREASE FITTING, 1/4-28 STR	5
2	0302510	ADAPTER, 6MJ-6MBL	1
3	0400121	SCREW, 3/8-16X3/4 HHC GR5	4
4	0400133	SCREW, 3/8-16X3 HHC GR5	1
5	0400218	SCREW, 1/2-20X1-1/4 HHC GR5	4
6	0400392	NUT, 3/8-16 LOK	1
7	0400482	LKWASHER, 3/8	4
8	0400491	LKWASHER, 1/2	4
9	0400492	WASHER, 1/2	4
10	0810449	INNER STINGER WLMT	1
11	0911829	CROSSBAR ASSY - 3212/V30 GEN 2	1
12	3012-700002	PIN - STINGER	1
13	3012-700003	PIN - U/L EXT (ROD)	1
14	3012-794002	PLATE - XBAR POSITIONING	2
15	3012-794003	BAR - SPACER	1
16	3012-794004	PLATE - U/L PAD CAGE 3014-9400	1
17	3014-801000	TILT CYLINDER PIN	1
18	3014-840000	U/L OUTER BOOM WELD'T - 3014-	1
19	3014-960200	KIT-CROSSBAR EXT ASSY V30/3212	1
20	511-3000002	CYL, HYD - STING. EXT. 34" STR	1
21	896040002	NYLATRON - 6 X 1 1/2 X	4
22	897400001	FRONT PIN	1
23	9044434	3/8-16X1 NC FLAT SOCKET HD CAP	1
24	9056125	1.25 NOM HVY DUTY RET RING EXT	2
25	9057125	RETAINING RING, 1-1/4 INT	2

Section I - PARTS

0911829, 3212/V30 GEN2 CROSSBAR ASSEMBLY



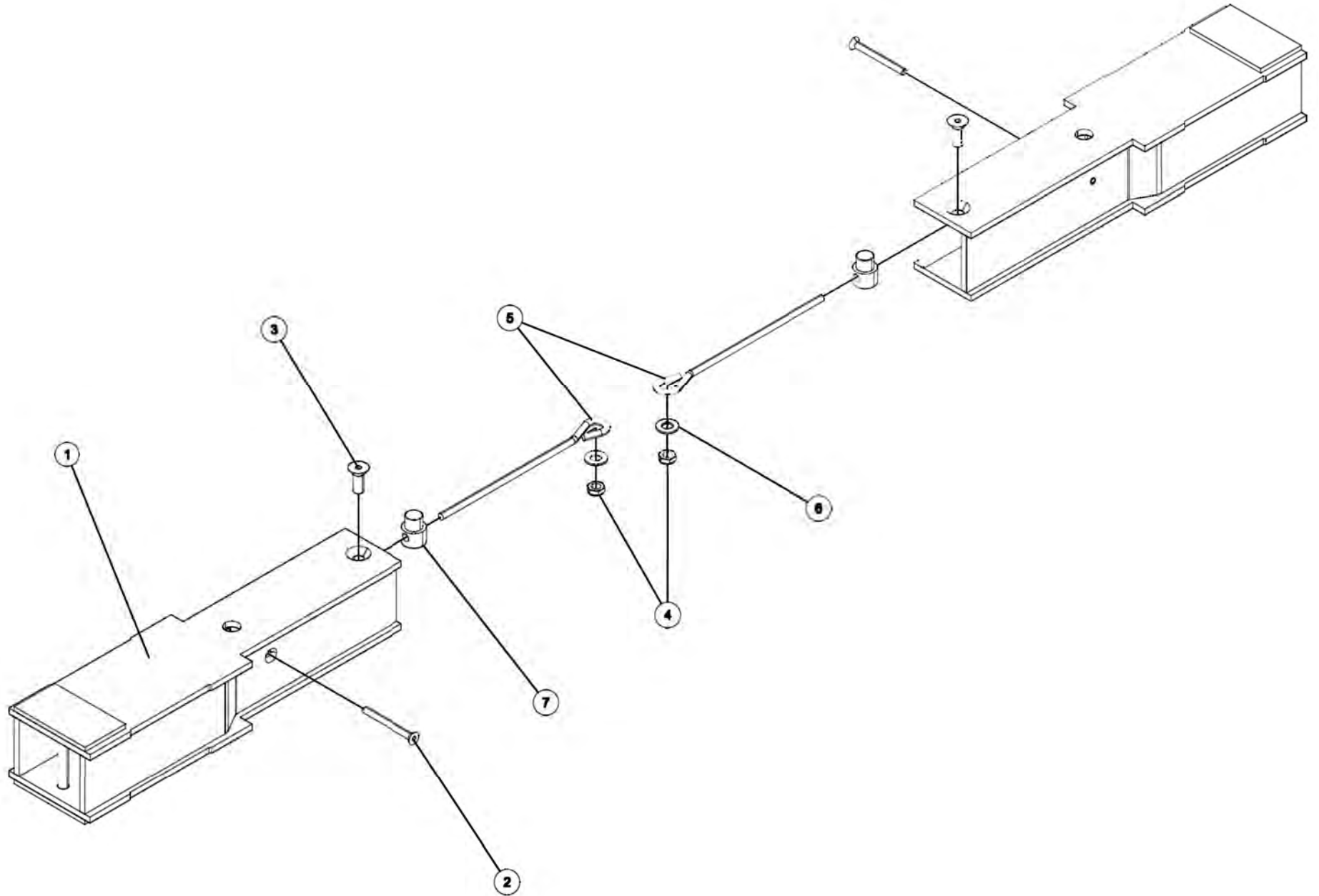
Section I - PARTS

0911829, 3212/V30 GEN2 CROSSBAR ASSEMBLY (cont'd)

ITEM	PART NUMBER	DESCRIPTION	QTY
1	0300113	GREASE FITTING, 1/4-28 STR	2
2	0726377	PIN - CROSSBAR PIVOT	1
3	0810448	CROSSBAR WLMT - 3212/V30	1
4	3014-796005	SPACER - XBAR DIE SPRING	1
5	9012944	1 NPT SOC HD PIPE PLUG *	1
6	9047057	DIE SPRING- MHP-42(DANLY	1
7	9052013	1" BALL CHROME	1
8	HD0151	SNAP RING, 2" INTERNAL	1

Section I - PARTS

3014-960200, 3212/V30 CROSSBAR EXTENSION ASSEMBLY



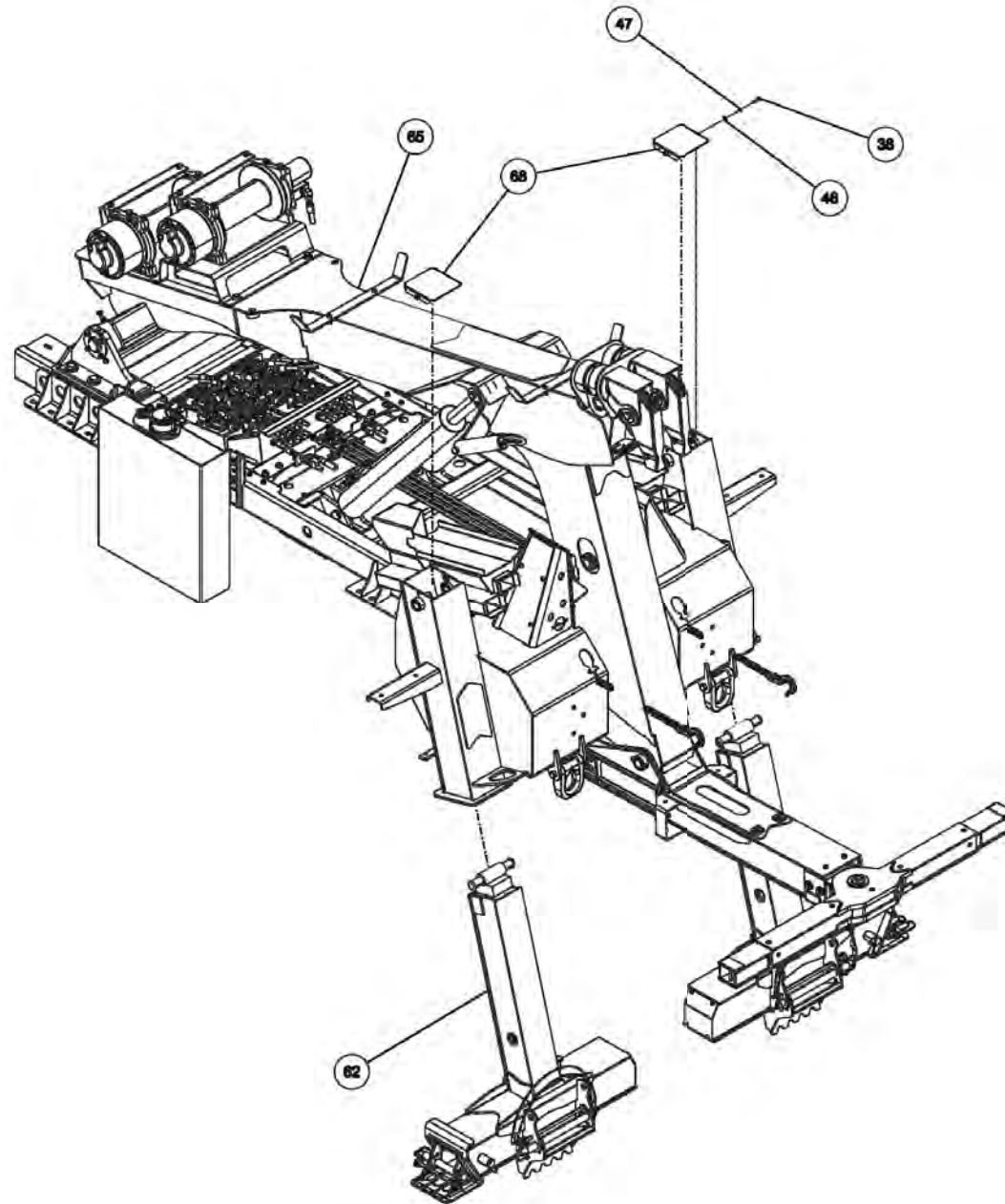
Section I - PARTS

3014-960200, 3212/V30 CROSSBAR EXTENSION ASSEMBLY (cont'd)

ITEM	PART NUMBER	DESCRIPTION	QTY
1	0400398	NUT, 3/8-16 LOK JAM	2
2	0400485	WASHER, 3/8 SAE GR8	2
3	0400629	SCREW, 1/4-20 X 2-1/2 FHS	2
4	0400980	SCREW, 3/8-16 X 1 FHS	2
5	3014-760107	PIN - RETAINING	2
6	3014-860100	EXTENSION BRKT - XBAR	2
7	568-0480001	SPRING - CROSSBAR END	2

Section I - PARTS

09015090, 3212 GEN2 W/REAR OUTRIGGER KIT



Section I - PARTS

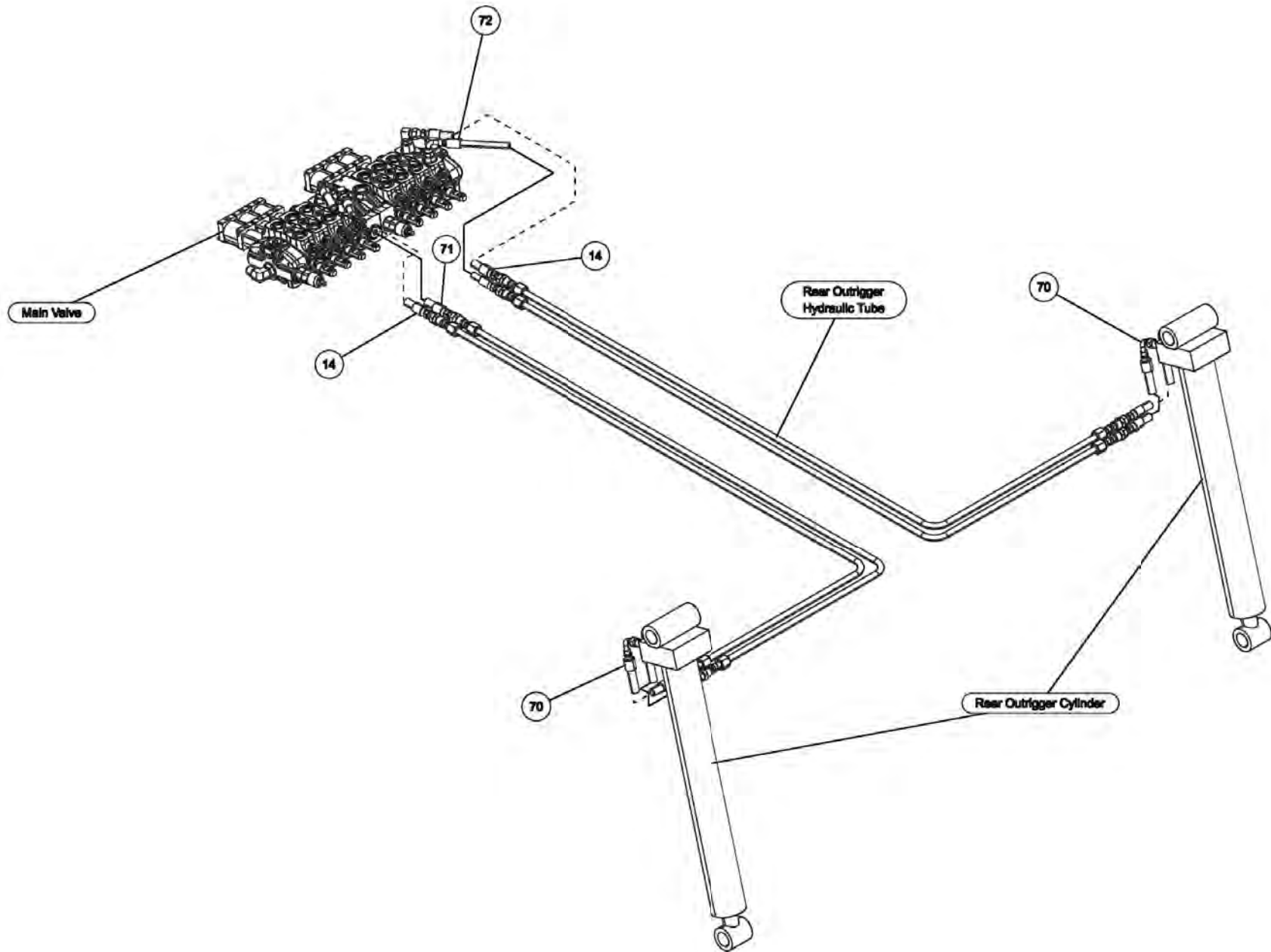
09015090, 3212 GEN2 W/REAR OUTRIGGER KIT

ITEM	PART NUMBER	DESCRIPTION	QTY
1	0300364	CLAMP-HOSE,0.875"-2.75" 50"LBS	12
2	0300692	FITTING, 1 90DEG STREET	4
3	0300834	KNOB- RED CTRL (IN-OUT)	4
4	0300835	KNOB-BOOM (UP-DOWN)	2
5	0300836	KNOB-CTRL-JACK (UP-DOWN)	4
6	0300837	KNOB-BOOM (IN-OUT)	2
7	0301577	1/4 OD PLASTIC AIRLINE, BLACK	2
8	0301659	HOSE HYD, 150"	2
9	0301909	RECEPTACLE BOOT	1
10	0301946	FITTING, BLKHD CONNECT	3
11	0301947	FITTING, 45 DEG ADAPTER	1
12	0301948	HD 7 WAY TRAILER CONNECT	1
13	0302534	FITTING, 45 DEG ELBOW	2
14	0302596	HOSE HYD, 34"	2
15	0302959	1" NPT X 3 LG NIPPLE	4
16	0303380	KNOB-UNDERLIFT (IN-OUT)	2
17	0303381	KNOB - UNDERLIFT (UP-DN)	2
18	0303538	FITT, ADAPTER -BRASS 8FP-6MP	1
19	0303539	QUICK DISCONNECT 3/8 FPT	1
20	0304363	QUICK DISCONNECT 1/2 FPT	2
21	0307151	RUBBER FENDER	24
22	0307216	LIGHT, AMBER LED RECT 5.25X3.3	2
23	0307472	HOSE, HYD ASSY 24" LG	2
24	0310019	SUCTION HOSE,1-1/4ID X30 100R4	1
25	0311502	LIGHT 6"OVAL CLEAR-AMBER LED	4
26	0311503	GROMMET, LIGHT 6" OVAL	4
27	0311508	LIGHT RECT CLEAR-RED LED	2
28	0311510	LIGHT RECT REVERSE W/REFLEX	2
29	0311511	GROMMET, TAIL LIGHT, RECTANGULAR	6
30	0311514	LIGHT 2.5" CLEAR LENS-RED LED	2
31	0311516	GROMMET, LIGHT 2.5" ROUND	2
32	0311755	WATER SEPARATOR-MONNIER	1
33	0312478	3212 STD G2 ALM BODY LH 82" CA	1
34	0312479	3212 STD G2 ALM BODY RH 82" CA	1
35	04000381	SS BHSCS 1/4-20 X 1	16
36	0400060	SCREW, 1/4-20X1/2 HHC GR5	2
37	0400062	SCREW, 1/4-20X3/4 THC	2
38	0400109	SCREW, 5/16-18X1 HHC GR5	6
39	0400177	SCREW, 1/2-13X1-1/4 HHC GR5	24
40	0400237	SCREW, 1/2-13X4 HHC GR5	4

ITEM	PART NUMBER	DESCRIPTION	QTY
41	0400382	NUT, 5/16-18 LOK	2
42	0400416	NUT, 1/2-13 LOK GR8	8
43	0400451	WASHER, 1/4	2
44	0400452	LKWASHER, 1/4	2
45	0400454	WASHER, 1/4 SS	20
46	0400463	WASHER, 5/16	6
47	0400464	LKWASHER, 5/16	4
48	0400484	WASH, SPECIAL .406X1-3/4	12
49	0400491	LKWASHER, 1/2	28
50	0400497	WASHER, 1/2 GR8 20	
51	0400498	WASHER, 1/2X2X0.125	12
52	0400633	SCREW, 1/2-13X1-1/2 HHC GR8	4
53	0402021	SCREW, 1/4-20X1 HHC SS	4
54	0402111	LKWASHER, 1/4 SS	20
55	0726397	PANEL - LH CONTROL 4-HANDLE	1
56	0726398	PANEL - RH CONTROL 4-HANDLE	1
57	08007968	CROSSTUBE, 3212/V30	1
58	0810491	REAR CROSSMEMBER	1
59	0910320	CROSSTUBE, LH PIVOT ASSY-FABR	1
60	0910321	CROSSTUBE, RH PIVOT ASSY-FABR	1
61	0910535	MNFLD PKG 16 VLV 12VDC W/O HNS	1
62	0911460	REAR OUTRIGGER KIT-3212 / V-30	1
63	0911708	LH CONTROL - 3212/V30	1
64	0911709	RH CONTROL - 3212/V30	1
65	0911728	3212/V30 LONG TWR CTR SECTION	1
66	0911804	AIR REGULATOR-GAUGE ASSEMBLY	1
67	3012-810300	BRACKET - BODY TUBE	4
68	3014-791003	COVER - JACK 3014-910000	2
69	3014-791011	PANEL - VALVE COVER	1
70	513-0601200	HYD HOSE 3/8X12" 6FJX-6FJX90S	4
71	810770013	HOSE, 36" 6FJX-6C2AT-6FJX90S	1
72	810770015	HOSE 29" 4M2T 6FJX90S-6FJX	1
73	9010520	FITTING-ELBOW 1/4T-1/4NPT	2
74	9012927	NIPPLE - COMBINATION 1 N	4
75	9024041	SWITCH-ROCKER, LIGHTED 12V	6
76	9041402	1/2 NC X 1 1/4 HHCS PLT GR8	4
77	9043830	1/2NCX4 1/2 H.H.C.SCREW	4
78	9402970	TOOLBOX MTG. PAD	12
79	942480011	PLATE, SLOT-SS REAR WASHER TBOX	4
80	HC1338	VALVE, BALL, 1 BRASS	4

Section I - PARTS

09015090, 3212 GEN2 W/REAR OUTRIGGER KIT (cont'd)



Section I - PARTS

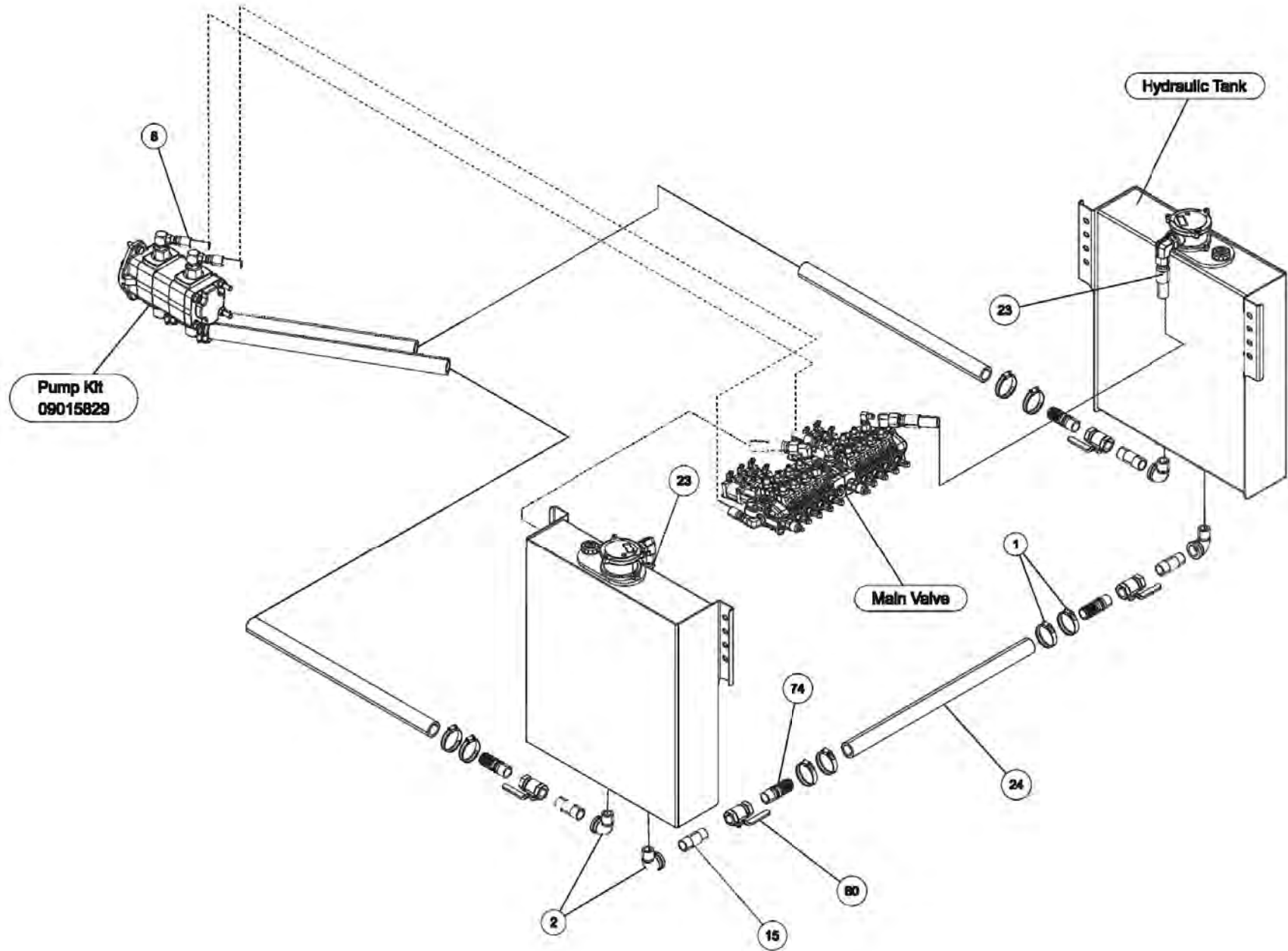
09015090, 3212 GEN2 W/REAR OUTRIGGER KIT (cont'd)

ITEM	PART NUMBER	DESCRIPTION	QTY
1	0300364	CLAMP-HOSE,0.875"-2.75" 50"LBS	12
2	0300692	FITTING, 1 90DEG STREET	4
3	0300834	KNOB- RED CTRL (IN-OUT)	4
4	0300835	KNOB-BOOM (UP-DOWN)	2
5	0300836	KNOB-CTRL-JACK (UP-DOWN)	4
6	0300837	KNOB-BOOM (IN-OUT)	2
7	0301577	1/4 OD PLASTIC AIRLINE, BLACK	2
8	0301659	HOSE HYD, 150"	2
9	0301909	RECEPTACLE BOOT	1
10	0301946	FITTING, BLKHD CONNECT	3
11	0301947	FITTING, 45 DEG ADAPTER	1
12	0301948	HD 7 WAY TRAILER CONNECT	1
13	0302534	FITTING, 45 DEG ELBOW	2
14	0302596	HOSE HYD, 34"	2
15	0302959	1" NPT X 3 LG NIPPLE	4
16	0303380	KNOB-UNDERLIFT (IN-OUT)	2
17	0303381	KNOB - UNDERLIFT (UP-DN)	2
18	0303538	FITT, ADAPTER -BRASS 8FP-6MP	1
19	0303539	QUICK DISCONNECT 3/8 FPT	1
20	0304363	QUICK DISCONNECT 1/2 FPT	2
21	0307151	RUBBER FENDER	24
22	0307216	LIGHT, AMBER LED RECT 5.25X3.3	2
23	0307472	HOSE, HYD ASSY 24" LG	2
24	0310019	SUCTION HOSE,1-1/4ID X30 100R4	1
25	0311502	LIGHT 6"OVAL CLEAR-AMBER LED	4
26	0311503	GROMMET, LIGHT 6" OVAL	4
27	0311508	LIGHT RECT CLEAR-RED LED	2
28	0311510	LIGHT RECT REVERSE W/REFLEX	2
29	0311511	GROMMET, TAIL LIGHT, RECTANGULAR	6
30	0311514	LIGHT 2.5" CLEAR LENS-RED LED	2
31	0311516	GROMMET, LIGHT 2.5" ROUND	2
32	0311755	WATER SEPARATOR-MONNIER	1
33	0312478	3212 STD G2 ALM BODY LH 82" CA	1
34	0312479	3212 STD G2 ALM BODY RH 82" CA	1
35	04000381	SS BHSCS 1/4-20 X 1	16
36	0400060	SCREW, 1/4-20X1/2 HHC GR5	2
37	0400062	SCREW, 1/4-20X3/4 THC	2
38	0400109	SCREW, 5/16-18X1 HHC GR5	6
39	0400177	SCREW, 1/2-13X1-1/4 HHC GR5	24
40	0400237	SCREW, 1/2-13X4 HHC GR5	4

ITEM	PART NUMBER	DESCRIPTION	QTY
41	0400382	NUT, 5/16-18 LOK	2
42	0400416	NUT, 1/2-13 LOK GR8	8
43	0400451	WASHER, 1/4	2
44	0400452	LKWASHER, 1/4	2
45	0400454	WASHER, 1/4 SS	20
46	0400463	WASHER, 5/16	6
47	0400464	LKWASHER, 5/16	4
48	0400484	WASH, SPECIAL .406X1-3/4	12
49	0400491	LKWASHER, 1/2	28
50	0400497	WASHER, 1/2 GR8 20	
51	0400498	WASHER, 1/2X2X0.125	12
52	0400633	SCREW, 1/2-13X1-1/2 HHC GR8	4
53	0402021	SCREW, 1/4-20X1 HHC SS	4
54	0402111	LKWASHER, 1/4 SS	20
55	0726397	PANEL - LH CONTROL 4-HANDLE	1
56	0726398	PANEL - RH CONTROL 4-HANDLE	1
57	08007968	CROSSTUBE, 3212/V30	1
58	0810491	REAR CROSSMEMBER	1
59	0910320	CROSSTUBE, LH PIVOT ASSY-FABR	1
60	0910321	CROSSTUBE, RH PIVOT ASSY-FABR	1
61	0910535	MNFLD PKG 16 VLV 12VDC W/O HNS	1
62	0911460	REAR OUTRIGGER KIT-3212 / V-30	1
63	0911708	LH CONTROL - 3212/V30	1
64	0911709	RH CONTROL - 3212/V30	1
65	0911728	3212/V30 LONG TWR CTR SECTION	1
66	0911804	AIR REGULATOR-GAUGE ASSEMBLY	1
67	3012-810300	BRACKET - BODY TUBE	4
68	3014-791003	COVER - JACK 3014-910000	2
69	3014-791011	PANEL - VALVE COVER	1
70	513-0601200	HYD HOSE 3/8X12" 6FJX-6FJX90S	4
71	810770013	HOSE, 36" 6FJX-6C2AT-6FJX90S	1
72	810770015	HOSE 29" 4M2T 6FJX90S-6FJX	1
73	9010520	FITTING-ELBOW 1/4T-1/4NPT	2
74	9012927	NIPPLE - COMBINATION 1 N	4
75	9024041	SWITCH-ROCKER, LIGHTED 12V	6
76	9041402	1/2 NC X 1 1/4 HHCS PLT GR8	4
77	9043830	1/2NCX4 1/2 H.H.C.SCREW	4
78	9402970	TOOLBOX MTG. PAD	12
79	942480011	PLATE, SLOT-SS REAR WASHER TBOX	4
80	HC1338	VALVE, BALL, 1 BRASS	4

Section I - PARTS

09015090, 3212 GEN2 W/REAR OUTRIGGER KIT (cont'd)



Section I - PARTS

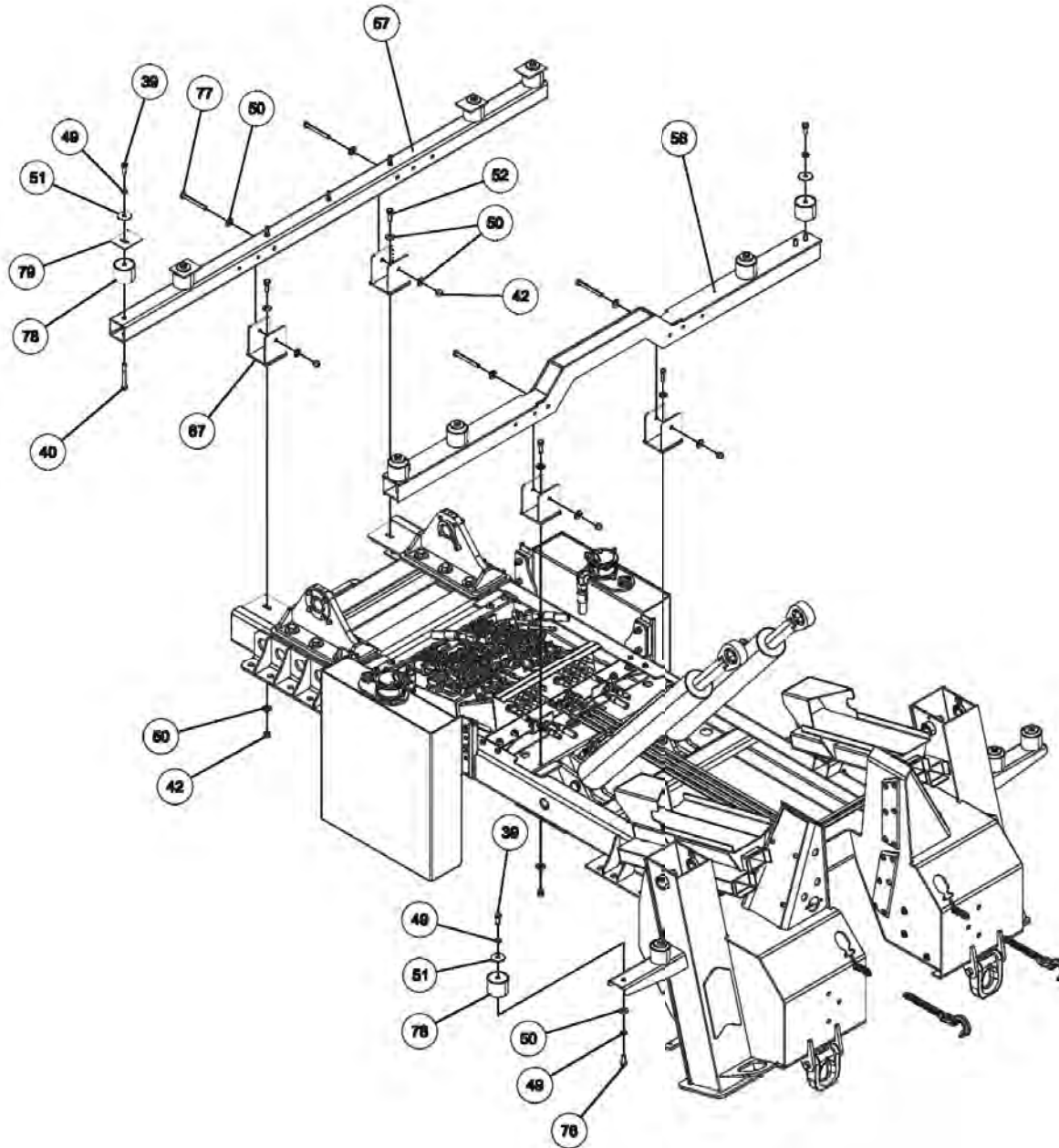
09015090, 3212 GEN2 W/REAR OUTRIGGER KIT (cont'd)

ITEM	PART NUMBER	DESCRIPTION	QTY
1	0300364	CLAMP-HOSE,0.875"-2.75" 50"LBS	12
2	0300692	FITTING, 1 90DEG STREET	4
3	0300834	KNOB- RED CTRL (IN-OUT)	4
4	0300835	KNOB-BOOM (UP-DOWN)	2
5	0300836	KNOB-CTRL-JACK (UP-DOWN)	4
6	0300837	KNOB-BOOM (IN-OUT)	2
7	0301577	1/4 OD PLASTIC AIRLINE, BLACK	2
8	0301659	HOSE HYD, 150"	2
9	0301909	RECEPTACLE BOOT	1
10	0301946	FITTING, BLKHD CONNECT	3
11	0301947	FITTING, 45 DEG ADAPTER	1
12	0301948	HD 7 WAY TRAILER CONNECT	1
13	0302534	FITTING, 45 DEG ELBOW	2
14	0302596	HOSE HYD, 34"	2
15	0302959	1" NPT X 3 LG NIPPLE	4
16	0303380	KNOB-UNDERLIFT (IN-OUT)	2
17	0303381	KNOB - UNDERLIFT (UP-DN)	2
18	0303538	FITT, ADAPTER -BRASS 8FP-6MP	1
19	0303539	QUICK DISCONNECT 3/8 FPT	1
20	0304363	QUICK DISCONNECT 1/2 FPT	2
21	0307151	RUBBER FENDER	24
22	0307216	LIGHT, AMBER LED RECT 5.25X3.3	2
23	0307472	HOSE, HYD ASSY 24" LG	2
24	0310019	SUCTION HOSE,1-1/4ID X30 100R4	1
25	0311502	LIGHT 6"OVAL CLEAR-AMBER LED	4
26	0311503	GROMMET, LIGHT 6" OVAL	4
27	0311508	LIGHT RECT CLEAR-RED LED	2
28	0311510	LIGHT RECT REVERSE W/REFLEX	2
29	0311511	GROMMET, TAIL LIGHT, RECTANGULAR	6
30	0311514	LIGHT 2.5" CLEAR LENS-RED LED	2
31	0311516	GROMMET, LIGHT 2.5" ROUND	2
32	0311755	WATER SEPARATOR-MONNIER	1
33	0312478	3212 STD G2 ALM BODY LH 82" CA	1
34	0312479	3212 STD G2 ALM BODY RH 82" CA	1
35	04000381	SS BHSCS 1/4-20 X 1	16
36	0400060	SCREW, 1/4-20X1/2 HHC GR5	2
37	0400062	SCREW, 1/4-20X3/4 THC	2
38	0400109	SCREW, 5/16-18X1 HHC GR5	6
39	0400177	SCREW, 1/2-13X1-1/4 HHC GR5	24
40	0400237	SCREW, 1/2-13X4 HHC GR5	4

ITEM	PART NUMBER	DESCRIPTION	QTY
41	0400382	NUT, 5/16-18 LOK	2
42	0400416	NUT, 1/2-13 LOK GR8	8
43	0400451	WASHER, 1/4	2
44	0400452	LKWASHER, 1/4	2
45	0400454	WASHER, 1/4 SS	20
46	0400463	WASHER, 5/16	6
47	0400464	LKWASHER, 5/16	4
48	0400484	WASH, SPECIAL .406X1-3/4	12
49	0400491	LKWASHER, 1/2	28
50	0400497	WASHER, 1/2 GR8 20	
51	0400498	WASHER, 1/2X2X0.125	12
52	0400633	SCREW, 1/2-13X1-1/2 HHC GR8	4
53	0402021	SCREW, 1/4-20X1 HHC SS	4
54	0402111	LKWASHER, 1/4 SS	20
55	0726397	PANEL - LH CONTROL 4-HANDLE	1
56	0726398	PANEL - RH CONTROL 4-HANDLE	1
57	08007968	CROSSTUBE, 3212/V30	1
58	0810491	REAR CROSSMEMBER	1
59	0910320	CROSSTUBE, LH PIVOT ASSY-FABR	1
60	0910321	CROSSTUBE, RH PIVOT ASSY-FABR	1
61	0910535	MNFLD PKG 16 VLV 12VDC W/O HNS	1
62	0911460	REAR OUTRIGGER KIT-3212 / V-30	1
63	0911708	LH CONTROL - 3212/V30	1
64	0911709	RH CONTROL - 3212/V30	1
65	0911728	3212/V30 LONG TWR CTR SECTION	1
66	0911804	AIR REGULATOR-GAUGE ASSEMBLY	1
67	3012-810300	BRACKET - BODY TUBE	4
68	3014-791003	COVER - JACK 3014-910000	2
69	3014-791011	PANEL - VALVE COVER	1
70	513-0601200	HYD HOSE 3/8X12" 6FJX-6FJX90S	4
71	810770013	HOSE, 36" 6FJX-6C2AT-6FJX90S	1
72	810770015	HOSE 29" 4M2T 6FJX90S-6FJX	1
73	9010520	FITTING-ELBOW 1/4T-1/4NPT	2
74	9012927	NIPPLE - COMBINATION 1 N	4
75	9024041	SWITCH-ROCKER, LIGHTED 12V	6
76	9041402	1/2 NC X 1 1/4 HHCS PLT GR8	4
77	9043830	1/2NCX4 1/2 H.H.C.SCREW	4
78	9402970	TOOLBOX MTG. PAD	12
79	942480011	PLATE, SLOT-SS REAR WASHER TBOX	4
80	HC1338	VALVE, BALL, 1 BRASS	4

Section I - PARTS

09015090, 3212 GEN2 W/REAR OUTRIGGER KIT (cont'd)



Section I - PARTS

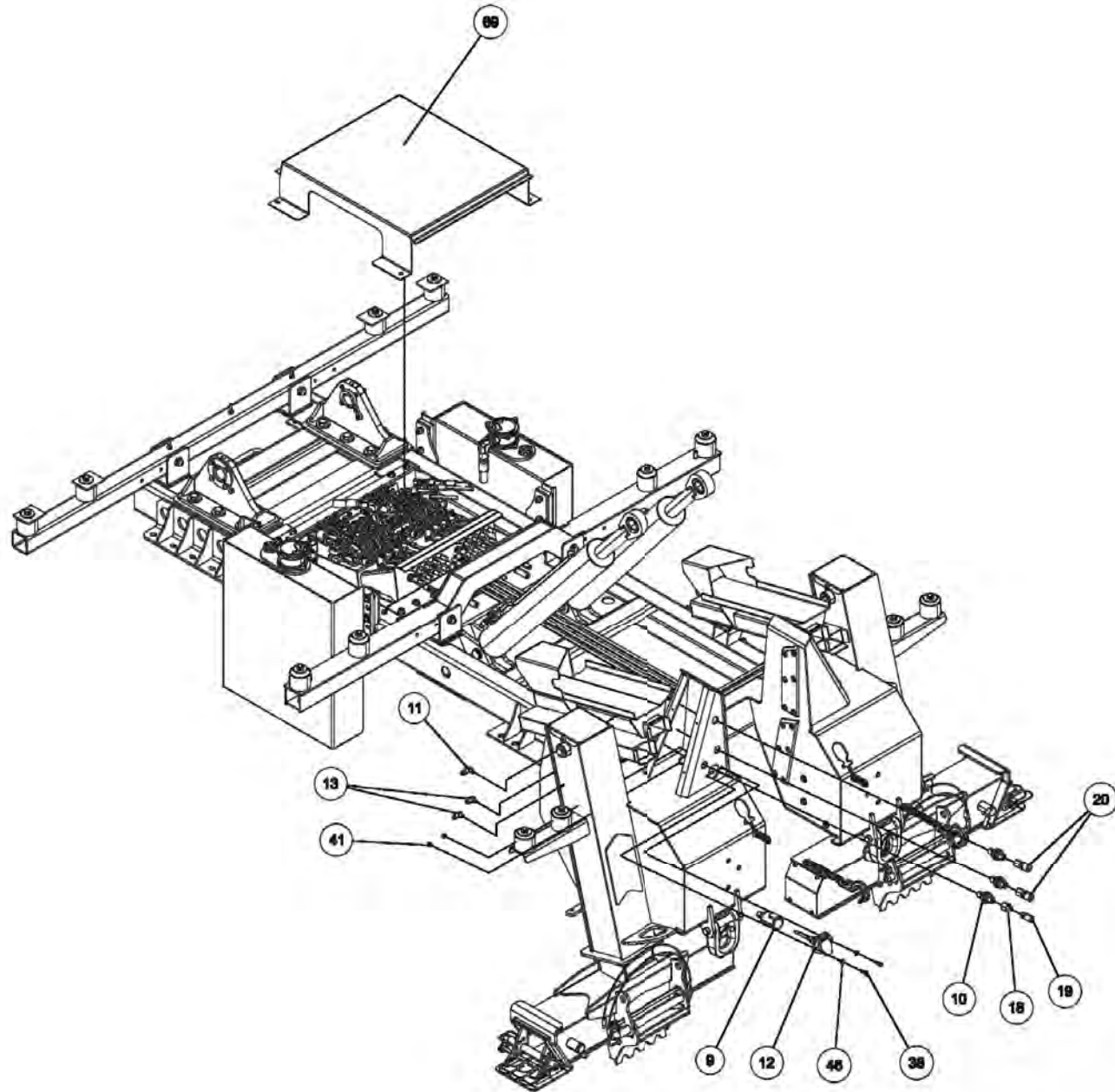
09015090, 3212 GEN2 W/REAR OUTRIGGER KIT (cont'd)

ITEM	PART NUMBER	DESCRIPTION	QTY
1	0300364	CLAMP-HOSE,0.875"-2.75" 50"LBS	12
2	0300692	FITTING, 1 90DEG STREET	4
3	0300834	KNOB- RED CTRL (IN-OUT)	4
4	0300835	KNOB-BOOM (UP-DOWN)	2
5	0300836	KNOB-CTRL-JACK (UP-DOWN)	4
6	0300837	KNOB-BOOM (IN-OUT)	2
7	0301577	1/4 OD PLASTIC AIRLINE, BLACK	2
8	0301659	HOSE HYD, 150"	2
9	0301909	RECEPTACLE BOOT	1
10	0301946	FITTING, BLKHD CONNECT	3
11	0301947	FITTING, 45 DEG ADAPTER	1
12	0301948	HD 7 WAY TRAILER CONNECT	1
13	0302534	FITTING, 45 DEG ELBOW	2
14	0302596	HOSE HYD, 34"	2
15	0302959	1" NPT X 3 LG NIPPLE	4
16	0303380	KNOB-UNDERLIFT (IN-OUT)	2
17	0303381	KNOB - UNDERLIFT (UP-DN)	2
18	0303538	FITT, ADAPTER -BRASS 8FP-6MP	1
19	0303539	QUICK DISCONNECT 3/8 FPT	1
20	0304363	QUICK DISCONNECT 1/2 FPT	2
21	0307151	RUBBER FENDER	24
22	0307216	LIGHT, AMBER LED RECT 5.25X3.3	2
23	0307472	HOSE, HYD ASSY 24" LG	2
24	0310019	SUCTION HOSE,1-1/4ID X30 100R4	1
25	0311502	LIGHT 6"OVAL CLEAR-AMBER LED	4
26	0311503	GROMMET, LIGHT 6" OVAL	4
27	0311508	LIGHT RECT CLEAR-RED LED	2
28	0311510	LIGHT RECT REVERSE W/REFLEX	2
29	0311511	GROMMET, TAIL LIGHT, RECTANGULAR	6
30	0311514	LIGHT 2.5" CLEAR LENS-RED LED	2
31	0311516	GROMMET, LIGHT 2.5" ROUND	2
32	0311755	WATER SEPARATOR-MONNIER	1
33	0312478	3212 STD G2 ALM BODY LH 82" CA	1
34	0312479	3212 STD G2 ALM BODY RH 82" CA	1
35	04000381	SS BHSCS 1/4-20 X 1	16
36	0400060	SCREW, 1/4-20X1/2 HHC GR5	2
37	0400062	SCREW, 1/4-20X3/4 THC	2
38	0400109	SCREW, 5/16-18X1 HHC GR5	6
39	0400177	SCREW, 1/2-13X1-1/4 HHC GR5	24
40	0400237	SCREW, 1/2-13X4 HHC GR5	4

ITEM	PART NUMBER	DESCRIPTION	QTY
41	0400382	NUT, 5/16-18 LOK	2
42	0400416	NUT, 1/2-13 LOK GR8	8
43	0400451	WASHER, 1/4	2
44	0400452	LKWASHER, 1/4	2
45	0400454	WASHER, 1/4 SS	20
46	0400463	WASHER, 5/16	6
47	0400464	LKWASHER, 5/16	4
48	0400484	WASH, SPECIAL .406X1-3/4	12
49	0400491	LKWASHER, 1/2	28
50	0400497	WASHER, 1/2 GR8 20	
51	0400498	WASHER, 1/2X2X0.125	12
52	0400633	SCREW, 1/2-13X1-1/2 HHC GR8	4
53	0402021	SCREW, 1/4-20X1 HHC SS	4
54	0402111	LKWASHER, 1/4 SS	20
55	0726397	PANEL - LH CONTROL 4-HANDLE	1
56	0726398	PANEL - RH CONTROL 4-HANDLE	1
57	08007968	CROSSTUBE, 3212/V30	1
58	0810491	REAR CROSSMEMBER	1
59	0910320	CROSSTUBE, LH PIVOT ASSY-FABR	1
60	0910321	CROSSTUBE, RH PIVOT ASSY-FABR	1
61	0910535	MNFLD PKG 16 VLV 12VDC W/O HNS	1
62	0911460	REAR OUTRIGGER KIT-3212 / V-30	1
63	0911708	LH CONTROL - 3212/V30	1
64	0911709	RH CONTROL - 3212/V30	1
65	0911728	3212/V30 LONG TWR CTR SECTION	1
66	0911804	AIR REGULATOR-GAUGE ASSEMBLY	1
67	3012-810300	BRACKET - BODY TUBE	4
68	3014-791003	COVER - JACK 3014-910000	2
69	3014-791011	PANEL - VALVE COVER	1
70	513-0601200	HYD HOSE 3/8X12" 6FJX-6FJX90S	4
71	810770013	HOSE, 36" 6FJX-6C2AT-6FJX90S	1
72	810770015	HOSE 29" 4M2T 6FJX90S-6FJX	1
73	9010520	FITTING-ELBOW 1/4T-1/4NPT	2
74	9012927	NIPPLE - COMBINATION 1 N	4
75	9024041	SWITCH-ROCKER, LIGHTED 12V	6
76	9041402	1/2 NC X 1 1/4 HHCS PLT GR8	4
77	9043830	1/2NCX4 1/2 H.H.C.SCREW	4
78	9402970	TOOLBOX MTG. PAD	12
79	942480011	PLATE, SLOT-SS REAR WASHER TBOX	4
80	HC1338	VALVE, BALL, 1 BRASS	4

Section I - PARTS

09015090, 3212 GEN2 W/REAR OUTRIGGER KIT (cont'd)



Section I - PARTS

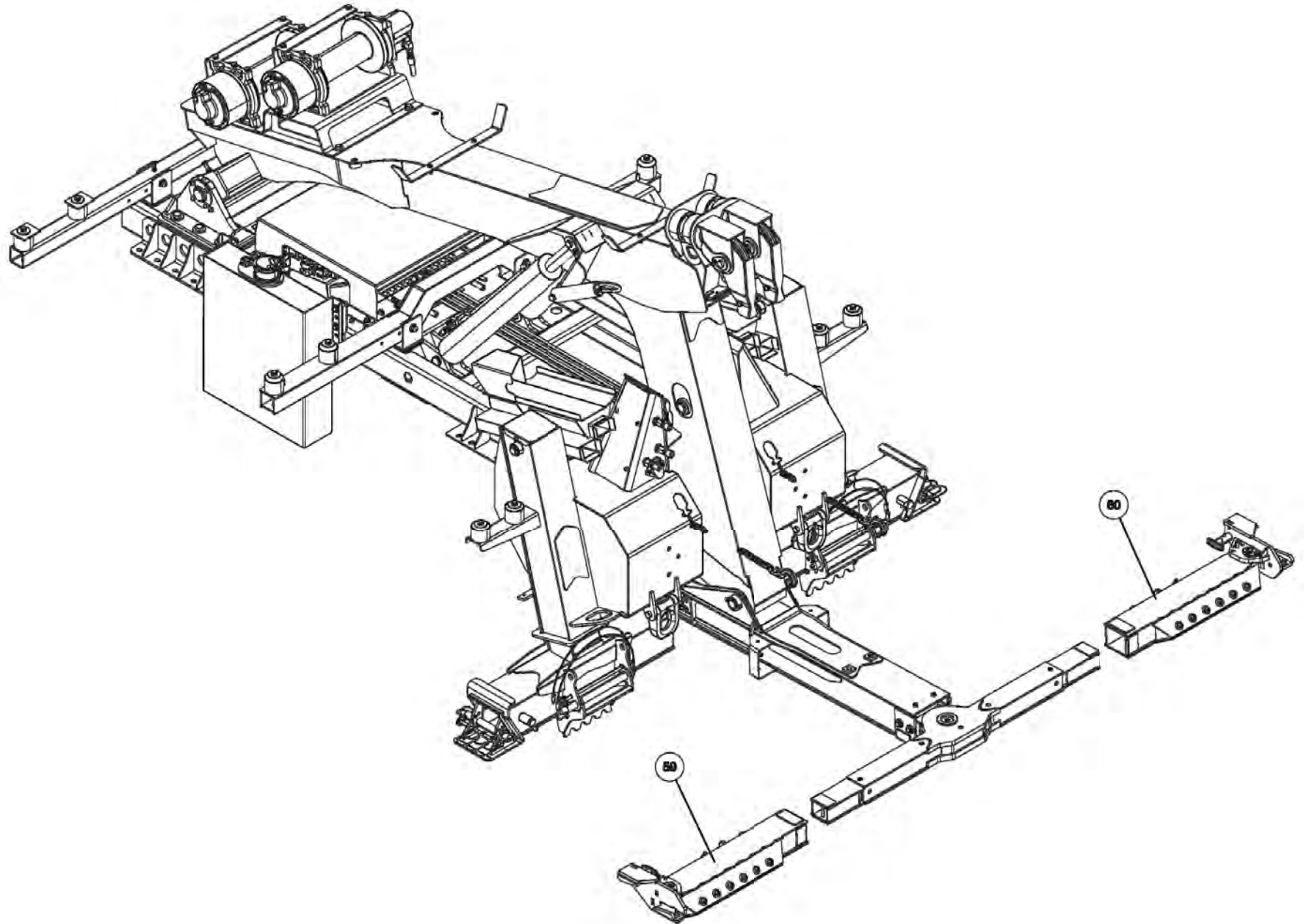
09015090, 3212 GEN2 W/REAR OUTRIGGER KIT (cont'd)

ITEM	PART NUMBER	DESCRIPTION	QTY
1	0300364	CLAMP-HOSE,0.875"-2.75" 50"LBS	12
2	0300692	FITTING, 1 90DEG STREET	4
3	0300834	KNOB- RED CTRL (IN-OUT)	4
4	0300835	KNOB-BOOM (UP-DOWN)	2
5	0300836	KNOB-CTRL-JACK (UP-DOWN)	4
6	0300837	KNOB-BOOM (IN-OUT)	2
7	0301577	1/4 OD PLASTIC AIRLINE, BLACK	2
8	0301659	HOSE HYD, 150"	2
9	0301909	RECEPTACLE BOOT	1
10	0301946	FITTING, BLKHD CONNECT	3
11	0301947	FITTING, 45 DEG ADAPTER	1
12	0301948	HD 7 WAY TRAILER CONNECT	1
13	0302534	FITTING, 45 DEG ELBOW	2
14	0302596	HOSE HYD, 34"	2
15	0302959	1" NPT X 3 LG NIPPLE	4
16	0303380	KNOB-UNDERLIFT (IN-OUT)	2
17	0303381	KNOB - UNDERLIFT (UP-DN)	2
18	0303538	FITT, ADAPTER -BRASS 8FP-6MP	1
19	0303539	QUICK DISCONNECT 3/8 FPT	1
20	0304363	QUICK DISCONNECT 1/2 FPT	2
21	0307151	RUBBER FENDER	24
22	0307216	LIGHT, AMBER LED RECT 5.25X3.3	2
23	0307472	HOSE, HYD ASSY 24" LG	2
24	0310019	SUCTION HOSE,1-1/4ID X30 100R4	1
25	0311502	LIGHT 6"OVAL CLEAR-AMBER LED	4
26	0311503	GROMMET, LIGHT 6" OVAL	4
27	0311508	LIGHT RECT CLEAR-RED LED	2
28	0311510	LIGHT RECT REVERSE W/REFLEX	2
29	0311511	GROMMET, TAIL LIGHT, RECTANGULAR	6
30	0311514	LIGHT 2.5" CLEAR LENS-RED LED	2
31	0311516	GROMMET, LIGHT 2.5" ROUND	2
32	0311755	WATER SEPARATOR-MONNIER	1
33	0312478	3212 STD G2 ALM BODY LH 82" CA	1
34	0312479	3212 STD G2 ALM BODY RH 82" CA	1
35	04000381	SS BHSCS 1/4-20 X 1	16
36	0400060	SCREW, 1/4-20X1/2 HHC GR5	2
37	0400062	SCREW, 1/4-20X3/4 THC	2
38	0400109	SCREW, 5/16-18X1 HHC GR5	6
39	0400177	SCREW, 1/2-13X1-1/4 HHC GR5	24
40	0400237	SCREW, 1/2-13X4 HHC GR5	4

ITEM	PART NUMBER	DESCRIPTION	QTY
41	0400382	NUT, 5/16-18 LOK	2
42	0400416	NUT, 1/2-13 LOK GR8	8
43	0400451	WASHER, 1/4	2
44	0400452	LKWASHER, 1/4	2
45	0400454	WASHER, 1/4 SS	20
46	0400463	WASHER, 5/16	6
47	0400464	LKWASHER, 5/16	4
48	0400484	WASH, SPECIAL .406X1-3/4	12
49	0400491	LKWASHER, 1/2	28
50	0400497	WASHER, 1/2 GR8 20	
51	0400498	WASHER, 1/2X2X0.125	12
52	0400633	SCREW, 1/2-13X1-1/2 HHC GR8	4
53	0402021	SCREW, 1/4-20X1 HHC SS	4
54	0402111	LKWASHER, 1/4 SS	20
55	0726397	PANEL - LH CONTROL 4-HANDLE	1
56	0726398	PANEL - RH CONTROL 4-HANDLE	1
57	08007968	CROSSTUBE, 3212/V30	1
58	0810491	REAR CROSSMEMBER	1
59	0910320	CROSSTUBE, LH PIVOT ASSY-FABR	1
60	0910321	CROSSTUBE, RH PIVOT ASSY-FABR	1
61	0910535	MNFLD PKG 16 VLV 12VDC W/O HNS	1
62	0911460	REAR OUTRIGGER KIT-3212 / V-30	1
63	0911708	LH CONTROL - 3212/V30	1
64	0911709	RH CONTROL - 3212/V30	1
65	0911728	3212/V30 LONG TWR CTR SECTION	1
66	0911804	AIR REGULATOR-GAUGE ASSEMBLY	1
67	3012-810300	BRACKET - BODY TUBE	4
68	3014-791003	COVER - JACK 3014-910000	2
69	3014-791011	PANEL - VALVE COVER	1
70	513-0601200	HYD HOSE 3/8X12" 6FJX-6FJX90S	4
71	810770013	HOSE, 36" 6FJX-6C2AT-6FJX90S	1
72	810770015	HOSE 29" 4M2T 6FJX90S-6FJX	1
73	9010520	FITTING-ELBOW 1/4T-1/4NPT	2
74	9012927	NIPPLE - COMBINATION 1 N	4
75	9024041	SWITCH-ROCKER, LIGHTED 12V	6
76	9041402	1/2 NC X 1 1/4 HHCS PLT GR8	4
77	9043830	1/2NCX4 1/2 H.H.C.SCREW	4
78	9402970	TOOLBOX MTG. PAD	12
79	942480011	PLATE, SLOT-SS REAR WASHER TBOX	4
80	HC1338	VALVE, BALL, 1 BRASS	4

Section I - PARTS

09015090, 3212 GEN2 W/REAR OUTRIGGER KIT (cont'd)



Section I - PARTS

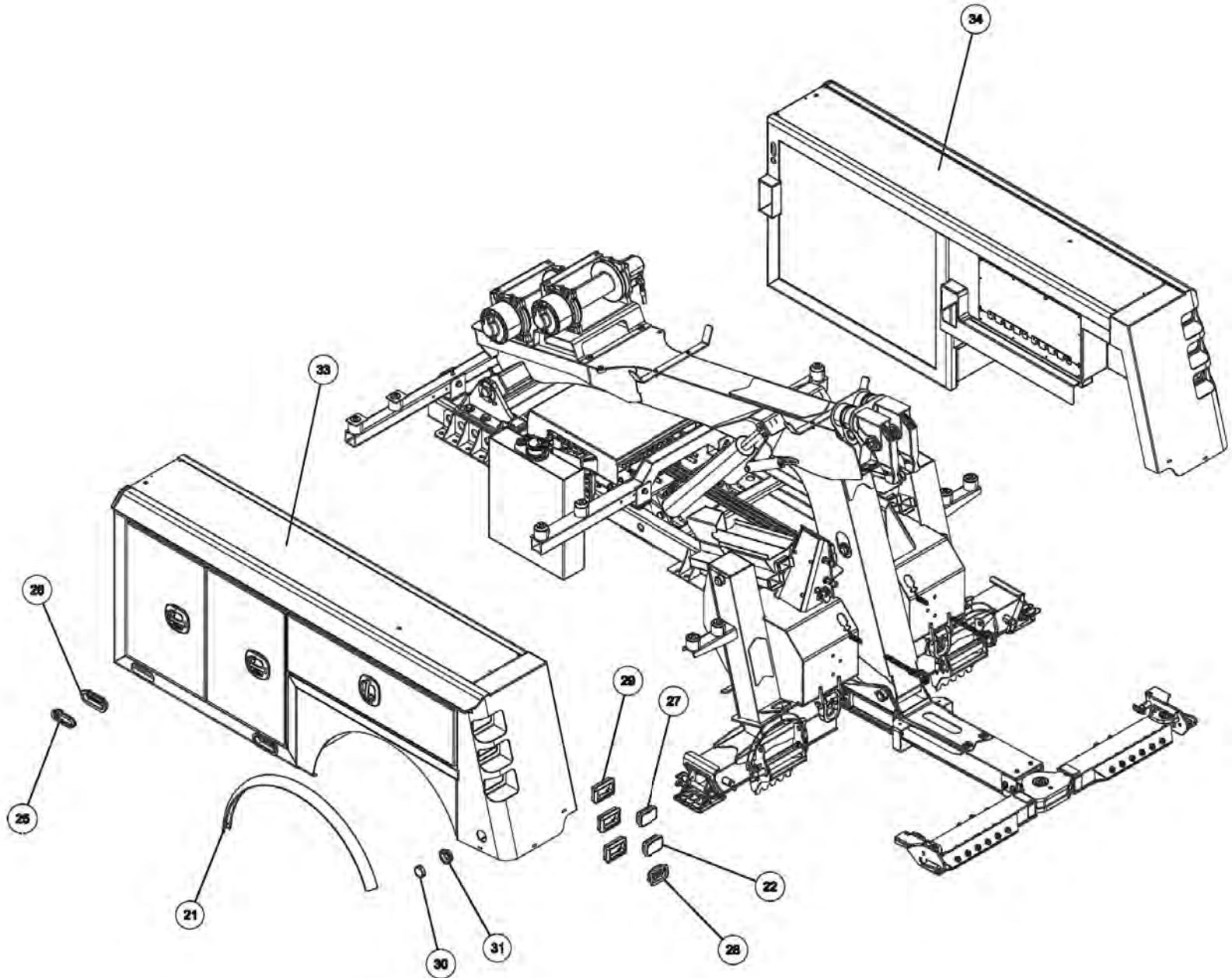
09015090, 3212 GEN2 W/REAR OUTRIGGER KIT (cont'd)

ITEM	PART NUMBER	DESCRIPTION	QTY
1	0300364	CLAMP-HOSE,0.875"-2.75" 50"LBS	12
2	0300692	FITTING, 1 90DEG STREET	4
3	0300834	KNOB- RED CTRL (IN-OUT)	4
4	0300835	KNOB-BOOM (UP-DOWN)	2
5	0300836	KNOB-CTRL-JACK (UP-DOWN)	4
6	0300837	KNOB-BOOM (IN-OUT)	2
7	0301577	1/4 OD PLASTIC AIRLINE, BLACK	2
8	0301659	HOSE HYD, 150"	2
9	0301909	RECEPTACLE BOOT	1
10	0301946	FITTING, BLKHD CONNECT	3
11	0301947	FITTING, 45 DEG ADAPTER	1
12	0301948	HD 7 WAY TRAILER CONNECT	1
13	0302534	FITTING, 45 DEG ELBOW	2
14	0302596	HOSE HYD, 34"	2
15	0302959	1" NPT X 3 LG NIPPLE	4
16	0303380	KNOB-UNDERLIFT (IN-OUT)	2
17	0303381	KNOB - UNDERLIFT (UP-DN)	2
18	0303538	FITT, ADAPTER -BRASS 8FP-6MP	1
19	0303539	QUICK DISCONNECT 3/8 FPT	1
20	0304363	QUICK DISCONNECT 1/2 FPT	2
21	0307151	RUBBER FENDER	24
22	0307216	LIGHT, AMBER LED RECT 5.25X3.3	2
23	0307472	HOSE, HYD ASSY 24" LG	2
24	0310019	SUCTION HOSE,1-1/4ID X30 100R4	1
25	0311502	LIGHT 6"OVAL CLEAR-AMBER LED	4
26	0311503	GROMMET, LIGHT 6" OVAL	4
27	0311508	LIGHT RECT CLEAR-RED LED	2
28	0311510	LIGHT RECT REVERSE W/REFLEX	2
29	0311511	GROMMET, TAIL LIGHT, RECTANGULAR	6
30	0311514	LIGHT 2.5" CLEAR LENS-RED LED	2
31	0311516	GROMMET, LIGHT 2.5" ROUND	2
32	0311755	WATER SEPARATOR-MONNIER	1
33	0312478	3212 STD G2 ALM BODY LH 82" CA	1
34	0312479	3212 STD G2 ALM BODY RH 82" CA	1
35	04000381	SS BHSCS 1/4-20 X 1	16
36	0400060	SCREW, 1/4-20X1/2 HHC GR5	2
37	0400062	SCREW, 1/4-20X3/4 THC	2
38	0400109	SCREW, 5/16-18X1 HHC GR5	6
39	0400177	SCREW, 1/2-13X1-1/4 HHC GR5	24
40	0400237	SCREW, 1/2-13X4 HHC GR5	4

ITEM	PART NUMBER	DESCRIPTION	QTY
41	0400382	NUT, 5/16-18 LOK	2
42	0400416	NUT, 1/2-13 LOK GR8	8
43	0400451	WASHER, 1/4	2
44	0400452	LKWASHER, 1/4	2
45	0400454	WASHER, 1/4 SS	20
46	0400463	WASHER, 5/16	6
47	0400464	LKWASHER, 5/16	4
48	0400484	WASH, SPECIAL .406X1-3/4	12
49	0400491	LKWASHER, 1/2	28
50	0400497	WASHER, 1/2 GR8 20	
51	0400498	WASHER, 1/2X2X0.125	12
52	0400633	SCREW, 1/2-13X1-1/2 HHC GR8	4
53	0402021	SCREW, 1/4-20X1 HHC SS	4
54	0402111	LKWASHER, 1/4 SS	20
55	0726397	PANEL - LH CONTROL 4-HANDLE	1
56	0726398	PANEL - RH CONTROL 4-HANDLE	1
57	08007968	CROSSTUBE, 3212/V30	1
58	0810491	REAR CROSSMEMBER	1
59	0910320	CROSSTUBE, LH PIVOT ASSY-FABR	1
60	0910321	CROSSTUBE, RH PIVOT ASSY-FABR	1
61	0910535	MNFLD PKG 16 VLV 12VDC W/O HNS	1
62	0911460	REAR OUTRIGGER KIT-3212 / V-30	1
63	0911708	LH CONTROL - 3212/V30	1
64	0911709	RH CONTROL - 3212/V30	1
65	0911728	3212/V30 LONG TWR CTR SECTION	1
66	0911804	AIR REGULATOR-GAUGE ASSEMBLY	1
67	3012-810300	BRACKET - BODY TUBE	4
68	3014-791003	COVER - JACK 3014-910000	2
69	3014-791011	PANEL - VALVE COVER	1
70	513-0601200	HYD HOSE 3/8X12" 6FJX-6FJX90S	4
71	810770013	HOSE, 36" 6FJX-6C2AT-6FJX90S	1
72	810770015	HOSE 29" 4M2T 6FJX90S-6FJX	1
73	9010520	FITTING-ELBOW 1/4T-1/4NPT	2
74	9012927	NIPPLE - COMBINATION 1 N	4
75	9024041	SWITCH-ROCKER, LIGHTED 12V	6
76	9041402	1/2 NC X 1 1/4 HHCS PLT GR8	4
77	9043830	1/2NCX4 1/2 H.H.C.SCREW	4
78	9402970	TOOLBOX MTG. PAD	12
79	942480011	PLATE,SLOT-SS REAR WASHER TBOX	4
80	HC1338	VALVE, BALL, 1 BRASS	4

Section I - PARTS

09015090, 3212 GEN2 W/REAR OUTRIGGER KIT (cont'd)



Section I - PARTS

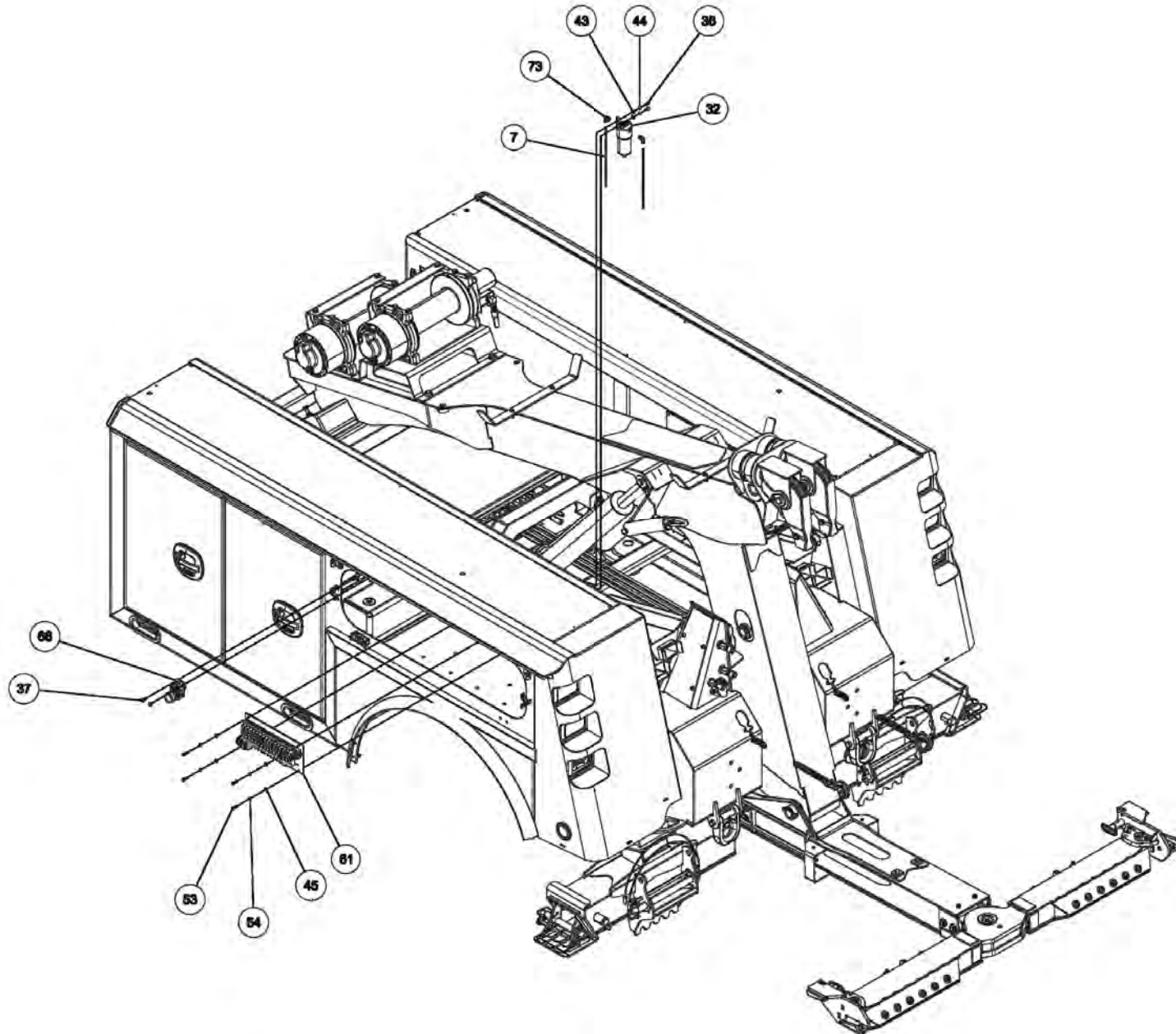
09015090, 3212 GEN2 W/REAR OUTRIGGER KIT (cont'd)

ITEM	PART NUMBER	DESCRIPTION	QTY
1	0300364	CLAMP-HOSE,0.875"-2.75" 50"LBS	12
2	0300692	FITTING, 1 90DEG STREET	4
3	0300834	KNOB- RED CTRL (IN-OUT)	4
4	0300835	KNOB-BOOM (UP-DOWN)	2
5	0300836	KNOB-CTRL-JACK (UP-DOWN)	4
6	0300837	KNOB-BOOM (IN-OUT)	2
7	0301577	1/4 OD PLASTIC AIRLINE, BLACK	2
8	0301659	HOSE HYD, 150"	2
9	0301909	RECEPTACLE BOOT	1
10	0301946	FITTING, BLKHD CONNECT	3
11	0301947	FITTING, 45 DEG ADAPTER	1
12	0301948	HD 7 WAY TRAILER CONNECT	1
13	0302534	FITTING, 45 DEG ELBOW	2
14	0302596	HOSE HYD, 34"	2
15	0302959	1" NPT X 3 LG NIPPLE	4
16	0303380	KNOB-UNDERLIFT (IN-OUT)	2
17	0303381	KNOB - UNDERLIFT (UP-DN)	2
18	0303538	FITT, ADAPTER -BRASS 8FP-6MP	1
19	0303539	QUICK DISCONNECT 3/8 FPT	1
20	0304363	QUICK DISCONNECT 1/2 FPT	2
21	0307151	RUBBER FENDER	24
22	0307216	LIGHT, AMBER LED RECT 5.25X3.3	2
23	0307472	HOSE, HYD ASSY 24" LG	2
24	0310019	SUCTION HOSE,1-1/4ID X30 100R4	1
25	0311502	LIGHT 6"OVAL CLEAR-AMBER LED	4
26	0311503	GROMMET, LIGHT 6" OVAL	4
27	0311508	LIGHT RECT CLEAR-RED LED	2
28	0311510	LIGHT RECT REVERSE W/REFLEX	2
29	0311511	GROMMET, TAIL LIGHT, RECTANGULAR	6
30	0311514	LIGHT 2.5" CLEAR LENS-RED LED	2
31	0311516	GROMMET, LIGHT 2.5" ROUND	2
32	0311755	WATER SEPARATOR-MONNIER	1
33	0312478	3212 STD G2 ALM BODY LH 82" CA	1
34	0312479	3212 STD G2 ALM BODY RH 82" CA	1
35	04000381	SS BHSCS 1/4-20 X 1	16
36	0400060	SCREW, 1/4-20X1/2 HHC GR5	2
37	0400062	SCREW, 1/4-20X3/4 THC	2
38	0400109	SCREW, 5/16-18X1 HHC GR5	6
39	0400177	SCREW, 1/2-13X1-1/4 HHC GR5	24
40	0400237	SCREW, 1/2-13X4 HHC GR5	4

ITEM	PART NUMBER	DESCRIPTION	QTY
41	0400382	NUT, 5/16-18 LOK	2
42	0400416	NUT, 1/2-13 LOK GR8	8
43	0400451	WASHER, 1/4	2
44	0400452	LKWASHER, 1/4	2
45	0400454	WASHER, 1/4 SS	20
46	0400463	WASHER, 5/16	6
47	0400464	LKWASHER, 5/16	4
48	0400484	WASH, SPECIAL .406X1-3/4	12
49	0400491	LKWASHER, 1/2	28
50	0400497	WASHER, 1/2 GR8 20	
51	0400498	WASHER, 1/2X2X0.125	12
52	0400633	SCREW, 1/2-13X1-1/2 HHC GR8	4
53	0402021	SCREW, 1/4-20X1 HHC SS	4
54	0402111	LKWASHER, 1/4 SS	20
55	0726397	PANEL - LH CONTROL 4-HANDLE	1
56	0726398	PANEL - RH CONTROL 4-HANDLE	1
57	08007968	CROSSTUBE, 3212/V30	1
58	0810491	REAR CROSSMEMBER	1
59	0910320	CROSSTUBE, LH PIVOT ASSY-FABR	1
60	0910321	CROSSTUBE, RH PIVOT ASSY-FABR	1
61	0910535	MNFLD PKG 16 VLV 12VDC W/O HNS	1
62	0911460	REAR OUTRIGGER KIT-3212 / V-30	1
63	0911708	LH CONTROL - 3212/V30	1
64	0911709	RH CONTROL - 3212/V30	1
65	0911728	3212/V30 LONG TWR CTR SECTION	1
66	0911804	AIR REGULATOR-GAUGE ASSEMBLY	1
67	3012-810300	BRACKET - BODY TUBE	4
68	3014-791003	COVER - JACK 3014-910000	2
69	3014-791011	PANEL - VALVE COVER	1
70	513-0601200	HYD HOSE 3/8X12" 6FJX-6FJX90S	4
71	810770013	HOSE, 36" 6FJX-6C2AT-6FJX90S	1
72	810770015	HOSE 29" 4M2T 6FJX90S-6FJX	1
73	9010520	FITTING-ELBOW 1/4T-1/4NPT	2
74	9012927	NIPPLE - COMBINATION 1 N	4
75	9024041	SWITCH-ROCKER, LIGHTED 12V	6
76	9041402	1/2 NC X 1 1/4 HHCS PLT GR8	4
77	9043830	1/2NCX4 1/2 H.H.C.SCREW	4
78	9402970	TOOLBOX MTG. PAD	12
79	942480011	PLATE,SLOT-SS REAR WASHER TBOX	4
80	HC1338	VALVE, BALL, 1 BRASS	4

Section I - PARTS

09015090, 3212 GEN2 W/REAR OUTRIGGER KIT (cont'd)



Section I - PARTS

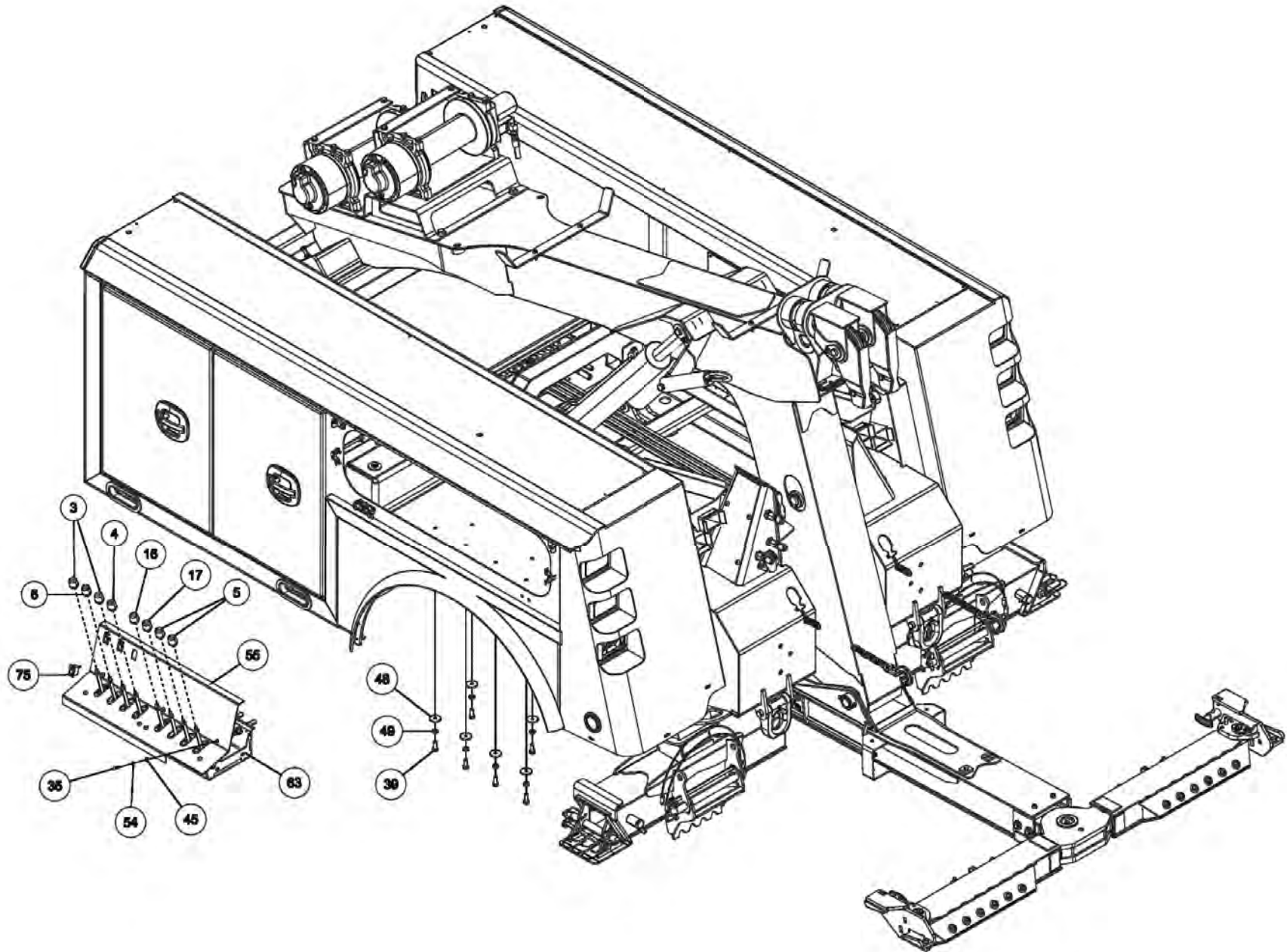
09015090, 3212 GEN2 W/REAR OUTRIGGER KIT (cont'd)

ITEM	PART NUMBER	DESCRIPTION	QTY
1	0300364	CLAMP-HOSE,0.875"-2.75" 50"LBS	12
2	0300692	FITTING, 1 90DEG STREET	4
3	0300834	KNOB- RED CTRL (IN-OUT)	4
4	0300835	KNOB-BOOM (UP-DOWN)	2
5	0300836	KNOB-CTRL-JACK (UP-DOWN)	4
6	0300837	KNOB-BOOM (IN-OUT)	2
7	0301577	1/4 OD PLASTIC AIRLINE, BLACK	2
8	0301659	HOSE HYD, 150"	2
9	0301909	RECEPTACLE BOOT	1
10	0301946	FITTING, BLKHD CONNECT	3
11	0301947	FITTING, 45 DEG ADAPTER	1
12	0301948	HD 7 WAY TRAILER CONNECT	1
13	0302534	FITTING, 45 DEG ELBOW	2
14	0302596	HOSE HYD, 34"	2
15	0302959	1" NPT X 3 LG NIPPLE	4
16	0303380	KNOB-UNDERLIFT (IN-OUT)	2
17	0303381	KNOB - UNDERLIFT (UP-DN)	2
18	0303538	FITT, ADAPTER -BRASS 8FP-6MP	1
19	0303539	QUICK DISCONNECT 3/8 FPT	1
20	0304363	QUICK DISCONNECT 1/2 FPT	2
21	0307151	RUBBER FENDER	24
22	0307216	LIGHT, AMBER LED RECT 5.25X3.3	2
23	0307472	HOSE, HYD ASSY 24" LG	2
24	0310019	SUCTION HOSE,1-1/4ID X30 100R4	1
25	0311502	LIGHT 6"OVAL CLEAR-AMBER LED	4
26	0311503	GROMMET, LIGHT 6" OVAL	4
27	0311508	LIGHT RECT CLEAR-RED LED	2
28	0311510	LIGHT RECT REVERSE W/REFLEX	2
29	0311511	GROMMET, TAIL LIGHT, RECTANGULAR	6
30	0311514	LIGHT 2.5" CLEAR LENS-RED LED	2
31	0311516	GROMMET, LIGHT 2.5" ROUND	2
32	0311755	WATER SEPARATOR-MONNIER	1
33	0312478	3212 STD G2 ALM BODY LH 82" CA	1
34	0312479	3212 STD G2 ALM BODY RH 82" CA	1
35	04000381	SS BHSCS 1/4-20 X 1	16
36	0400060	SCREW, 1/4-20X1/2 HHC GR5	2
37	0400062	SCREW, 1/4-20X3/4 THC	2
38	0400109	SCREW, 5/16-18X1 HHC GR5	6
39	0400177	SCREW, 1/2-13X1-1/4 HHC GR5	24
40	0400237	SCREW, 1/2-13X4 HHC GR5	4

ITEM	PART NUMBER	DESCRIPTION	QTY
41	0400382	NUT, 5/16-18 LOK	2
42	0400416	NUT, 1/2-13 LOK GR8	8
43	0400451	WASHER, 1/4	2
44	0400452	LKWASHER, 1/4	2
45	0400454	WASHER, 1/4 SS	20
46	0400463	WASHER, 5/16	6
47	0400464	LKWASHER, 5/16	4
48	0400484	WASH, SPECIAL .406X1-3/4	12
49	0400491	LKWASHER, 1/2	28
50	0400497	WASHER, 1/2 GR8 20	
51	0400498	WASHER, 1/2X2X0.125	12
52	0400633	SCREW, 1/2-13X1-1/2 HHC GR8	4
53	0402021	SCREW, 1/4-20X1 HHC SS	4
54	0402111	LKWASHER, 1/4 SS	20
55	0726397	PANEL - LH CONTROL 4-HANDLE	1
56	0726398	PANEL - RH CONTROL 4-HANDLE	1
57	08007968	CROSSTUBE, 3212/V30	1
58	0810491	REAR CROSSMEMBER	1
59	0910320	CROSSTUBE, LH PIVOT ASSY-FABR	1
60	0910321	CROSSTUBE, RH PIVOT ASSY-FABR	1
61	0910535	MNFLD PKG 16 VLV 12VDC W/O HNS	1
62	0911460	REAR OUTRIGGER KIT-3212 / V-30	1
63	0911708	LH CONTROL - 3212/V30	1
64	0911709	RH CONTROL - 3212/V30	1
65	0911728	3212/V30 LONG TWR CTR SECTION	1
66	0911804	AIR REGULATOR-GAUGE ASSEMBLY	1
67	3012-810300	BRACKET - BODY TUBE	4
68	3014-791003	COVER - JACK 3014-910000	2
69	3014-791011	PANEL - VALVE COVER	1
70	513-0601200	HYD HOSE 3/8X12" 6FJX-6FJX90S	4
71	810770013	HOSE, 36" 6FJX-6C2AT-6FJX90S	1
72	810770015	HOSE 29" 4M2T 6FJX90S-6FJX	1
73	9010520	FITTING-ELBOW 1/4T-1/4NPT	2
74	9012927	NIPPLE - COMBINATION 1 N	4
75	9024041	SWITCH-ROCKER, LIGHTED 12V	6
76	9041402	1/2 NC X 1 1/4 HHCS PLT GR8	4
77	9043830	1/2NCX4 1/2 H.H.C.SCREW	4
78	9402970	TOOLBOX MTG. PAD	12
79	942480011	PLATE, SLOT-SS REAR WASHER TBOX	4
80	HC1338	VALVE, BALL, 1 BRASS	4

Section I - PARTS

09015090, 3212 GEN2 W/REAR OUTRIGGER KIT (cont'd)



Section I - PARTS

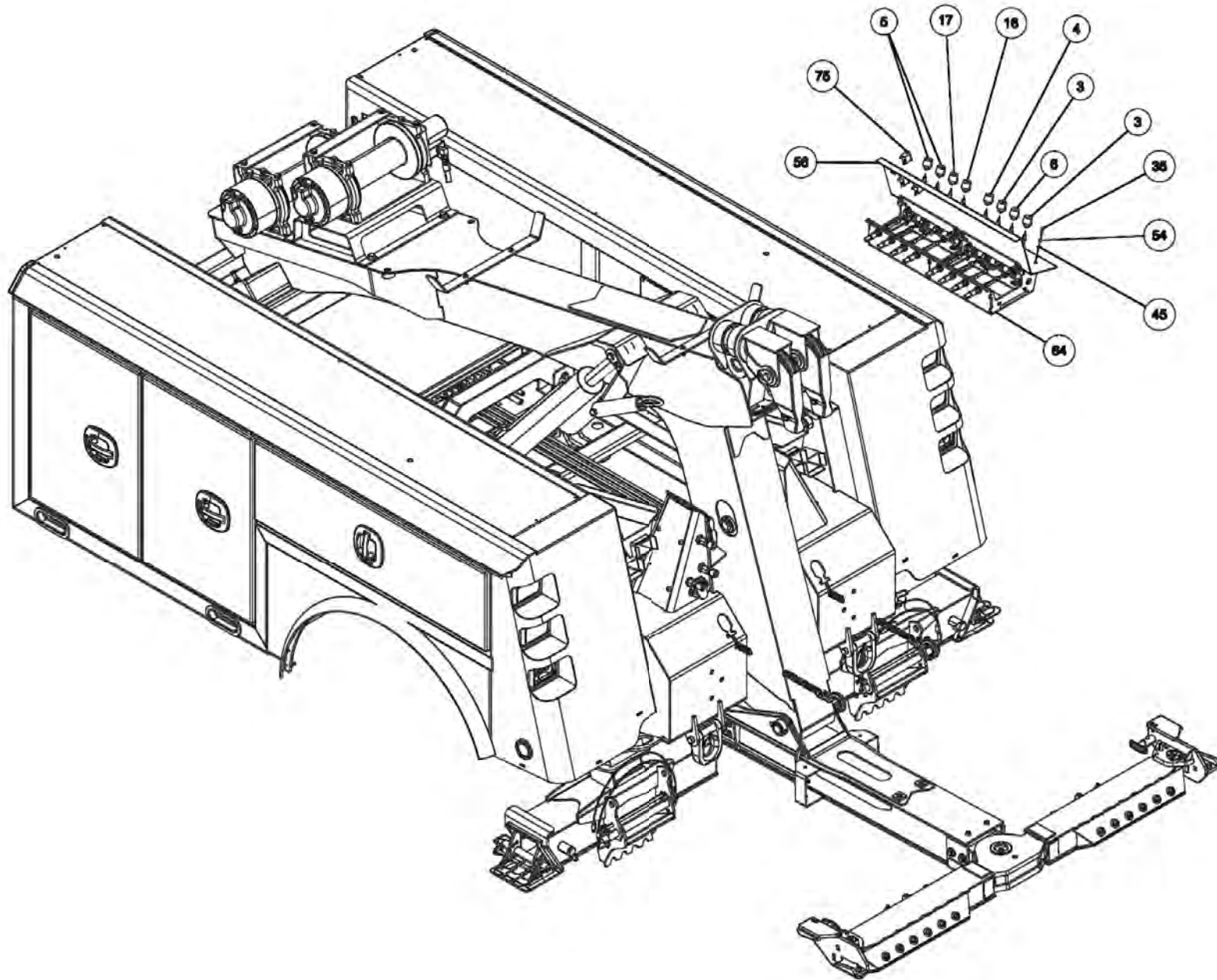
09015090, 3212 GEN2 W/REAR OUTRIGGER KIT (cont'd)

ITEM	PART NUMBER	DESCRIPTION	QTY
1	0300364	CLAMP-HOSE,0.875"-2.75" 50"LBS	12
2	0300692	FITTING, 1 90DEG STREET	4
3	0300834	KNOB- RED CTRL (IN-OUT)	4
4	0300835	KNOB-BOOM (UP-DOWN)	2
5	0300836	KNOB-CTRL-JACK (UP-DOWN)	4
6	0300837	KNOB-BOOM (IN-OUT)	2
7	0301577	1/4 OD PLASTIC AIRLINE, BLACK	2
8	0301659	HOSE HYD, 150"	2
9	0301909	RECEPTACLE BOOT	1
10	0301946	FITTING, BLKHD CONNECT	3
11	0301947	FITTING, 45 DEG ADAPTER	1
12	0301948	HD 7 WAY TRAILER CONNECT	1
13	0302534	FITTING, 45 DEG ELBOW	2
14	0302596	HOSE HYD, 34"	2
15	0302959	1" NPT X 3 LG NIPPLE	4
16	0303380	KNOB-UNDERLIFT (IN-OUT)	2
17	0303381	KNOB - UNDERLIFT (UP-DN)	2
18	0303538	FITT, ADAPTER -BRASS 8FP-6MP	1
19	0303539	QUICK DISCONNECT 3/8 FPT	1
20	0304363	QUICK DISCONNECT 1/2 FPT	2
21	0307151	RUBBER FENDER	24
22	0307216	LIGHT, AMBER LED RECT 5.25X3.3	2
23	0307472	HOSE, HYD ASSY 24" LG	2
24	0310019	SUCTION HOSE,1-1/4ID X30 100R4	1
25	0311502	LIGHT 6"OVAL CLEAR-AMBER LED	4
26	0311503	GROMMET, LIGHT 6" OVAL	4
27	0311508	LIGHT RECT CLEAR-RED LED	2
28	0311510	LIGHT RECT REVERSE W/REFLEX	2
29	0311511	GROMMET, TAIL LIGHT, RECTANGULAR	6
30	0311514	LIGHT 2.5" CLEAR LENS-RED LED	2
31	0311516	GROMMET, LIGHT 2.5" ROUND	2
32	0311755	WATER SEPARATOR-MONNIER	1
33	0312478	3212 STD G2 ALM BODY LH 82" CA	1
34	0312479	3212 STD G2 ALM BODY RH 82" CA	1
35	04000381	SS BHSCS 1/4-20 X 1	16
36	0400060	SCREW, 1/4-20X1/2 HHC GR5	2
37	0400062	SCREW, 1/4-20X3/4 THC	2
38	0400109	SCREW, 5/16-18X1 HHC GR5	6
39	0400177	SCREW, 1/2-13X1-1/4 HHC GR5	24
40	0400237	SCREW, 1/2-13X4 HHC GR5	4

ITEM	PART NUMBER	DESCRIPTION	QTY
41	0400382	NUT, 5/16-18 LOK	2
42	0400416	NUT, 1/2-13 LOK GR8	8
43	0400451	WASHER, 1/4	2
44	0400452	LKWASHER, 1/4	2
45	0400454	WASHER, 1/4 SS	20
46	0400463	WASHER, 5/16	6
47	0400464	LKWASHER, 5/16	4
48	0400484	WASH, SPECIAL .406X1-3/4	12
49	0400491	LKWASHER, 1/2	28
50	0400497	WASHER, 1/2 GR8 20	
51	0400498	WASHER, 1/2X2X0.125	12
52	0400633	SCREW, 1/2-13X1-1/2 HHC GR8	4
53	0402021	SCREW, 1/4-20X1 HHC SS	4
54	0402111	LKWASHER, 1/4 SS	20
55	0726397	PANEL - LH CONTROL 4-HANDLE	1
56	0726398	PANEL - RH CONTROL 4-HANDLE	1
57	08007968	CROSSTUBE, 3212/V30	1
58	0810491	REAR CROSSMEMBER	1
59	0910320	CROSSTUBE, LH PIVOT ASSY-FABR	1
60	0910321	CROSSTUBE, RH PIVOT ASSY-FABR	1
61	0910535	MNFLD PKG 16 VLV 12VDC W/O HNS	1
62	0911460	REAR OUTRIGGER KIT-3212 / V-30	1
63	0911708	LH CONTROL - 3212/V30	1
64	0911709	RH CONTROL - 3212/V30	1
65	0911728	3212/V30 LONG TWR CTR SECTION	1
66	0911804	AIR REGULATOR-GAUGE ASSEMBLY	1
67	3012-810300	BRACKET - BODY TUBE	4
68	3014-791003	COVER - JACK 3014-910000	2
69	3014-791011	PANEL - VALVE COVER	1
70	513-0601200	HYD HOSE 3/8X12" 6FJX-6FJX90S	4
71	810770013	HOSE, 36" 6FJX-6C2AT-6FJX90S	1
72	810770015	HOSE 29" 4M2T 6FJX90S-6FJX	1
73	9010520	FITTING-ELBOW 1/4T-1/4NPT	2
74	9012927	NIPPLE - COMBINATION 1 N	4
75	9024041	SWITCH-ROCKER, LIGHTED 12V	6
76	9041402	1/2 NC X 1 1/4 HHCS PLT GR8	4
77	9043830	1/2NCX4 1/2 H.H.C.SCREW	4
78	9402970	TOOLBOX MTG. PAD	12
79	942480011	PLATE,SLOT-SS REAR WASHER TBOX	4
80	HC1338	VALVE, BALL, 1 BRASS	4

Section I - PARTS

09015090, 3212 GEN2 W/REAR OUTRIGGER KIT (cont'd)



Section I - PARTS

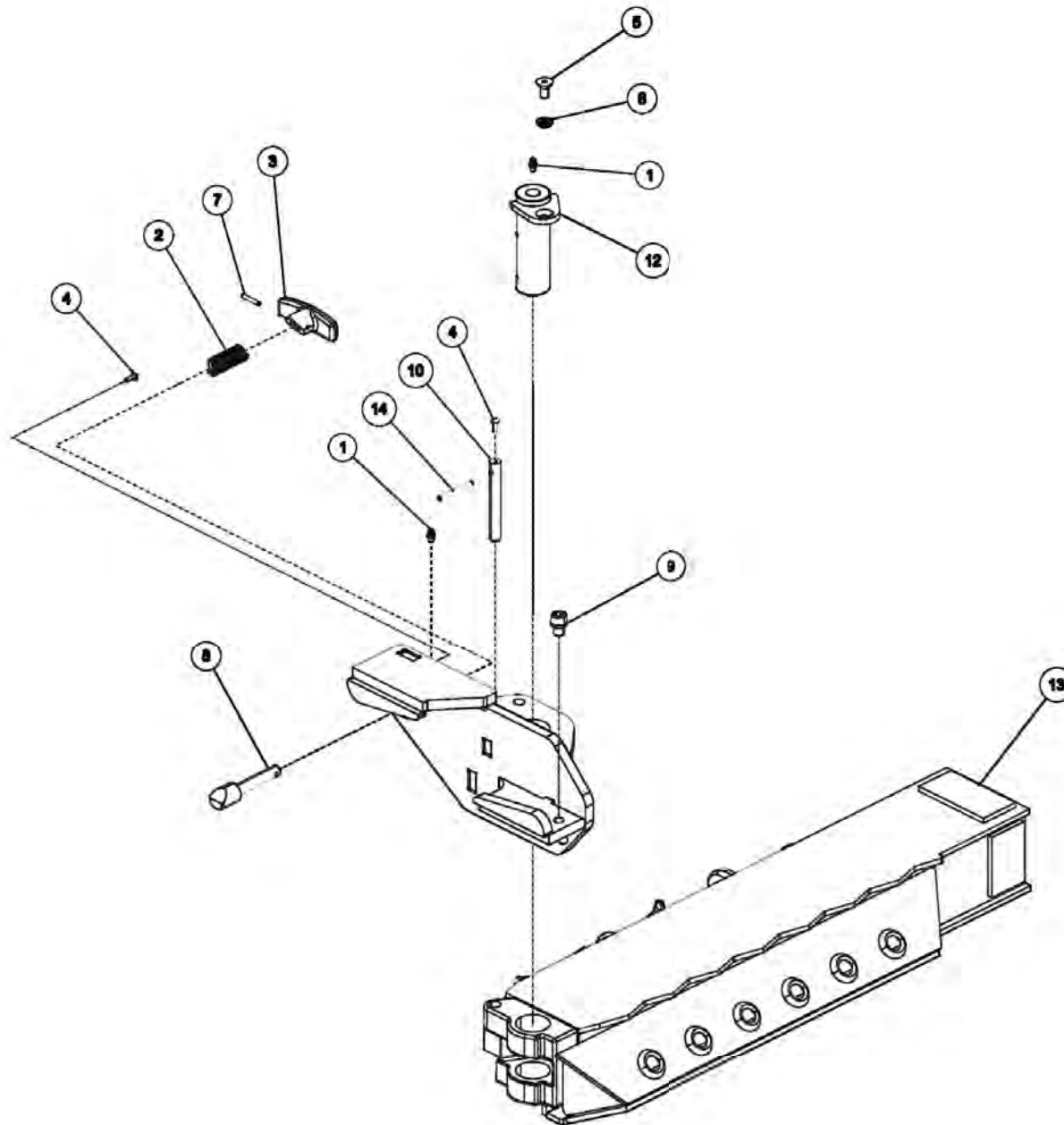
09015090, 3212 GEN2 W/REAR OUTRIGGER KIT (cont'd)

ITEM	PART NUMBER	DESCRIPTION	QTY
1	0300364	CLAMP-HOSE,0.875"-2.75" 50"LBS	12
2	0300692	FITTING, 1 90DEG STREET	4
3	0300834	KNOB- RED CTRL (IN-OUT)	4
4	0300835	KNOB-BOOM (UP-DOWN)	2
5	0300836	KNOB-CTRL-JACK (UP-DOWN)	4
6	0300837	KNOB-BOOM (IN-OUT)	2
7	0301577	1/4 OD PLASTIC AIRLINE, BLACK	2
8	0301659	HOSE HYD, 150"	2
9	0301909	RECEPTACLE BOOT	1
10	0301946	FITTING, BLKHD CONNECT	3
11	0301947	FITTING, 45 DEG ADAPTER	1
12	0301948	HD 7 WAY TRAILER CONNECT	1
13	0302534	FITTING, 45 DEG ELBOW	2
14	0302596	HOSE HYD, 34"	2
15	0302959	1" NPT X 3 LG NIPPLE	4
16	0303380	KNOB-UNDERLIFT (IN-OUT)	2
17	0303381	KNOB - UNDERLIFT (UP-DN)	2
18	0303538	FITT, ADAPTER -BRASS 8FP-6MP	1
19	0303539	QUICK DISCONNECT 3/8 FPT	1
20	0304363	QUICK DISCONNECT 1/2 FPT	2
21	0307151	RUBBER FENDER	24
22	0307216	LIGHT, AMBER LED RECT 5.25X3.3	2
23	0307472	HOSE, HYD ASSY 24" LG	2
24	0310019	SUCTION HOSE,1-1/4ID X30 100R4	1
25	0311502	LIGHT 6"OVAL CLEAR-AMBER LED	4
26	0311503	GROMMET, LIGHT 6" OVAL	4
27	0311508	LIGHT RECT CLEAR-RED LED	2
28	0311510	LIGHT RECT REVERSE W/REFLEX	2
29	0311511	GROMMET, TAIL LIGHT, RECTANGULAR	6
30	0311514	LIGHT 2.5" CLEAR LENS-RED LED	2
31	0311516	GROMMET, LIGHT 2.5" ROUND	2
32	0311755	WATER SEPARATOR-MONNIER	1
33	0312478	3212 STD G2 ALM BODY LH 82" CA	1
34	0312479	3212 STD G2 ALM BODY RH 82" CA	1
35	04000381	SS BHSCS 1/4-20 X 1	16
36	0400060	SCREW, 1/4-20X1/2 HHC GR5	2
37	0400062	SCREW, 1/4-20X3/4 THC	2
38	0400109	SCREW, 5/16-18X1 HHC GR5	6
39	0400177	SCREW, 1/2-13X1-1/4 HHC GR5	24
40	0400237	SCREW, 1/2-13X4 HHC GR5	4

ITEM	PART NUMBER	DESCRIPTION	QTY
41	0400382	NUT, 5/16-18 LOK	2
42	0400416	NUT, 1/2-13 LOK GR8	8
43	0400451	WASHER, 1/4	2
44	0400452	LKWASHER, 1/4	2
45	0400454	WASHER, 1/4 SS	20
46	0400463	WASHER, 5/16	6
47	0400464	LKWASHER, 5/16	4
48	0400484	WASH, SPECIAL .406X1-3/4	12
49	0400491	LKWASHER, 1/2	28
50	0400497	WASHER, 1/2 GR8 20	
51	0400498	WASHER, 1/2X2X0.125	12
52	0400633	SCREW, 1/2-13X1-1/2 HHC GR8	4
53	0402021	SCREW, 1/4-20X1 HHC SS	4
54	0402111	LKWASHER, 1/4 SS	20
55	0726397	PANEL - LH CONTROL 4-HANDLE	1
56	0726398	PANEL - RH CONTROL 4-HANDLE	1
57	08007968	CROSSTUBE, 3212/V30	1
58	0810491	REAR CROSSMEMBER	1
59	0910320	CROSSTUBE, LH PIVOT ASSY-FABR	1
60	0910321	CROSSTUBE, RH PIVOT ASSY-FABR	1
61	0910535	MNFLD PKG 16 VLV 12VDC W/O HNS	1
62	0911460	REAR OUTRIGGER KIT-3212 / V-30	1
63	0911708	LH CONTROL - 3212/V30	1
64	0911709	RH CONTROL - 3212/V30	1
65	0911728	3212/V30 LONG TWR CTR SECTION	1
66	0911804	AIR REGULATOR-GAUGE ASSEMBLY	1
67	3012-810300	BRACKET - BODY TUBE	4
68	3014-791003	COVER - JACK 3014-910000	2
69	3014-791011	PANEL - VALVE COVER	1
70	513-0601200	HYD HOSE 3/8X12" 6FJX-6FJX90S	4
71	810770013	HOSE, 36" 6FJX-6C2AT-6FJX90S	1
72	810770015	HOSE 29" 4M2T 6FJX90S-6FJX	1
73	9010520	FITTING-ELBOW 1/4T-1/4NPT	2
74	9012927	NIPPLE - COMBINATION 1 N	4
75	9024041	SWITCH-ROCKER, LIGHTED 12V	6
76	9041402	1/2 NC X 1 1/4 HHCS PLT GR8	4
77	9043830	1/2NCX4 1/2 H.H.C.SCREW	4
78	9402970	TOOLBOX MTG. PAD	12
79	942480011	PLATE, SLOT-SS REAR WASHER TBOX	4
80	HC1338	VALVE, BALL, 1 BRASS	4

Section I - PARTS

0910320, LH PIVOT CROSSTUBE



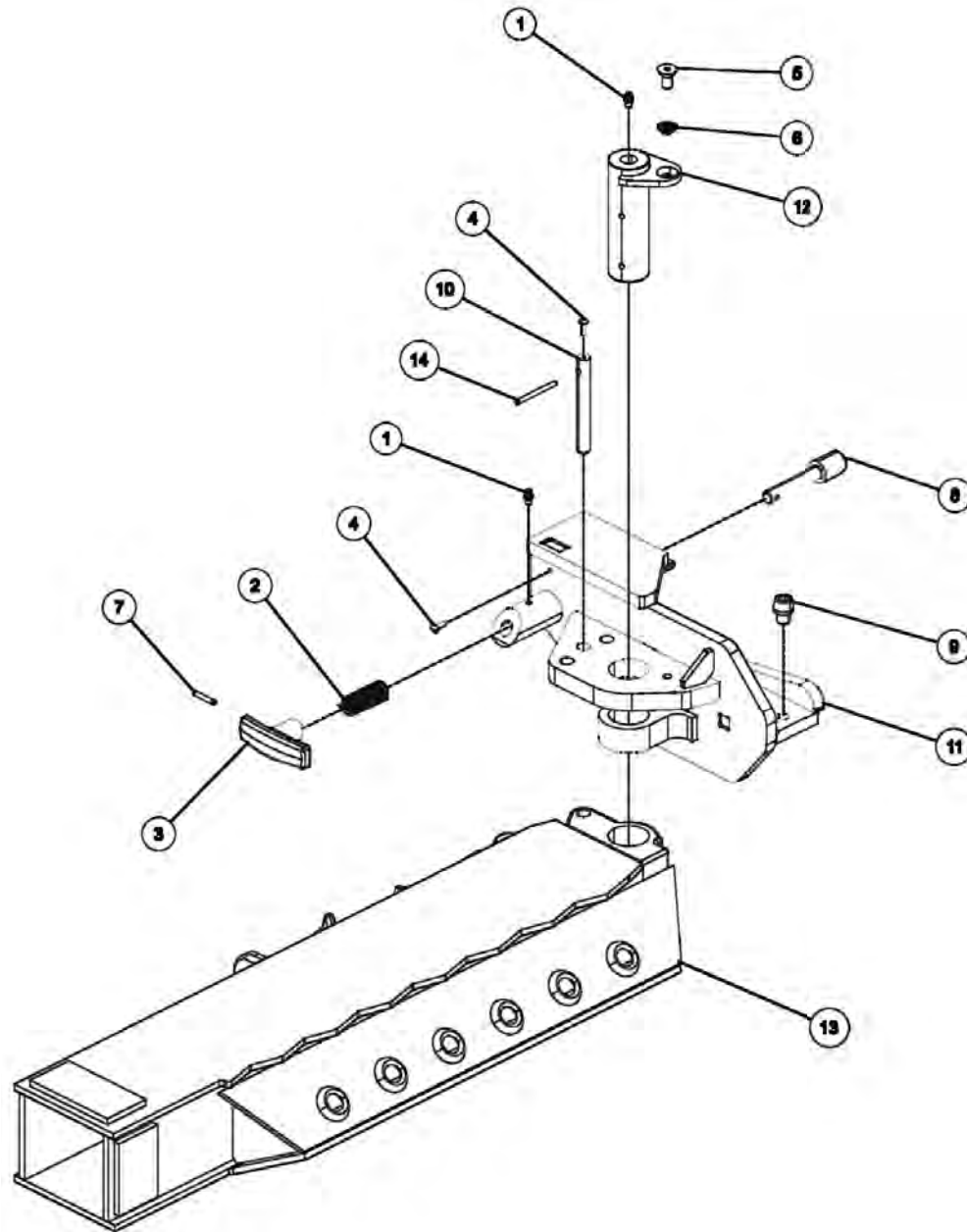
Section I - PARTS

0910320, LH PIVOT CROSSTUBE (cont'd)

ITEM	PART NUMBER	DESCRIPTION	QTY
1	0300113	GREASE FITTING, 1/4-28 STR	2
2	0302641	SPRING - PLUNGER PIN	1
3	0302648	T HANDLE	1
4	0400044	SCREW, 10 X 1/2 DRV	2
5	0400349	SCREW, 3/8-16 X 3/4 FHS	1
6	0400483	LKWASHER, 3/8 CET	1
7	0400559	PIN, 3/16 X 1 SPR	1
8	0707505	PIN, PLUNGER	1
9	0712933	PIN, ALIGNMENT	1
10	0714415	PIN (USE 0904744)	1
11	0807485	ENDPLATE, LH PIVOT - FABRICATED	1
12	0807504	PIVOT SHAFT	1
13	3014-860600	CROSSTUBE, LH OUTER CENTURY	1
14	HD0107	3/16 " X 2" SPRING PIN	1

Section I - PARTS

0910321, RH PIVOT CROSSTUBE



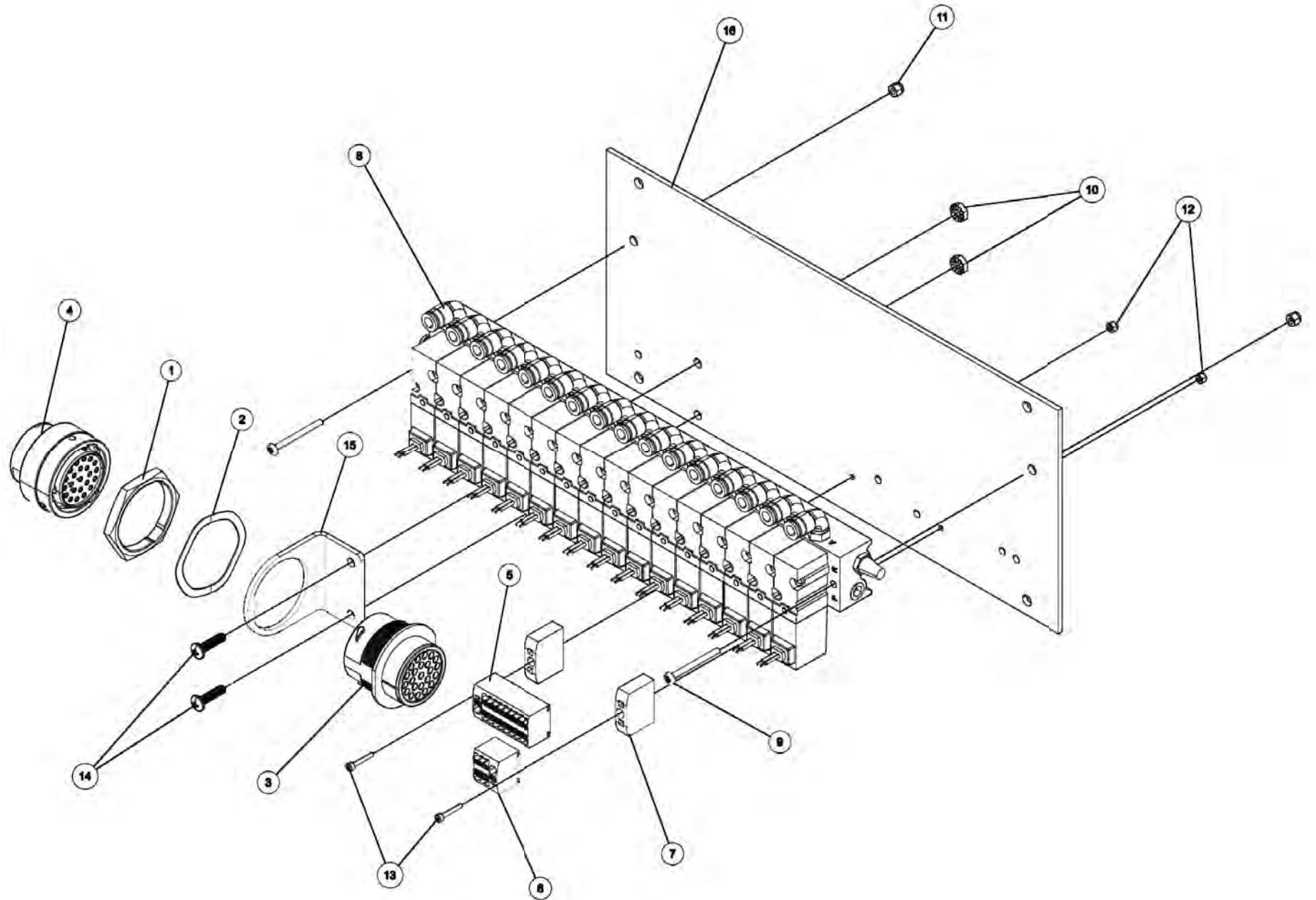
Section I - PARTS

0910321, RH PIVOT CROSSTUBE (cont'd)

ITEM	PART NUMBER	DESCRIPTION	QTY
1	0300113	GREASE FITTING, 1/4-28 STR	2
2	0302641	SPRING - PLUNGER PIN	1
3	0302648	T HANDLE	1
4	0400044	SCREW, 10 X 1/2 DRV	2
5	0400349	SCREW, 3/8-16 X 3/4 FHS	1
6	0400483	LKWASHER, 3/8 CET	1
7	0400559	PIN, 3/16 X 1 SPR	1
8	0707505	PIN, PLUNGER	1
9	0712933	PIN, ALIGNMENT	1
10	0714415	PIN (USE 0904744)	1
11	0807486	ENDPLATE, RH PIVOT -FABRICATED	1
12	0807504	PIVOT SHAFT	1
13	3014-860700	CROSSTUBE, RH OUTER CENTURY	1
14	HD0107	3/16 " X 2" SPRING PIN	1

Section I - PARTS

0910535, MANIFOLD PACKAGE 16 VALVE 12V DC



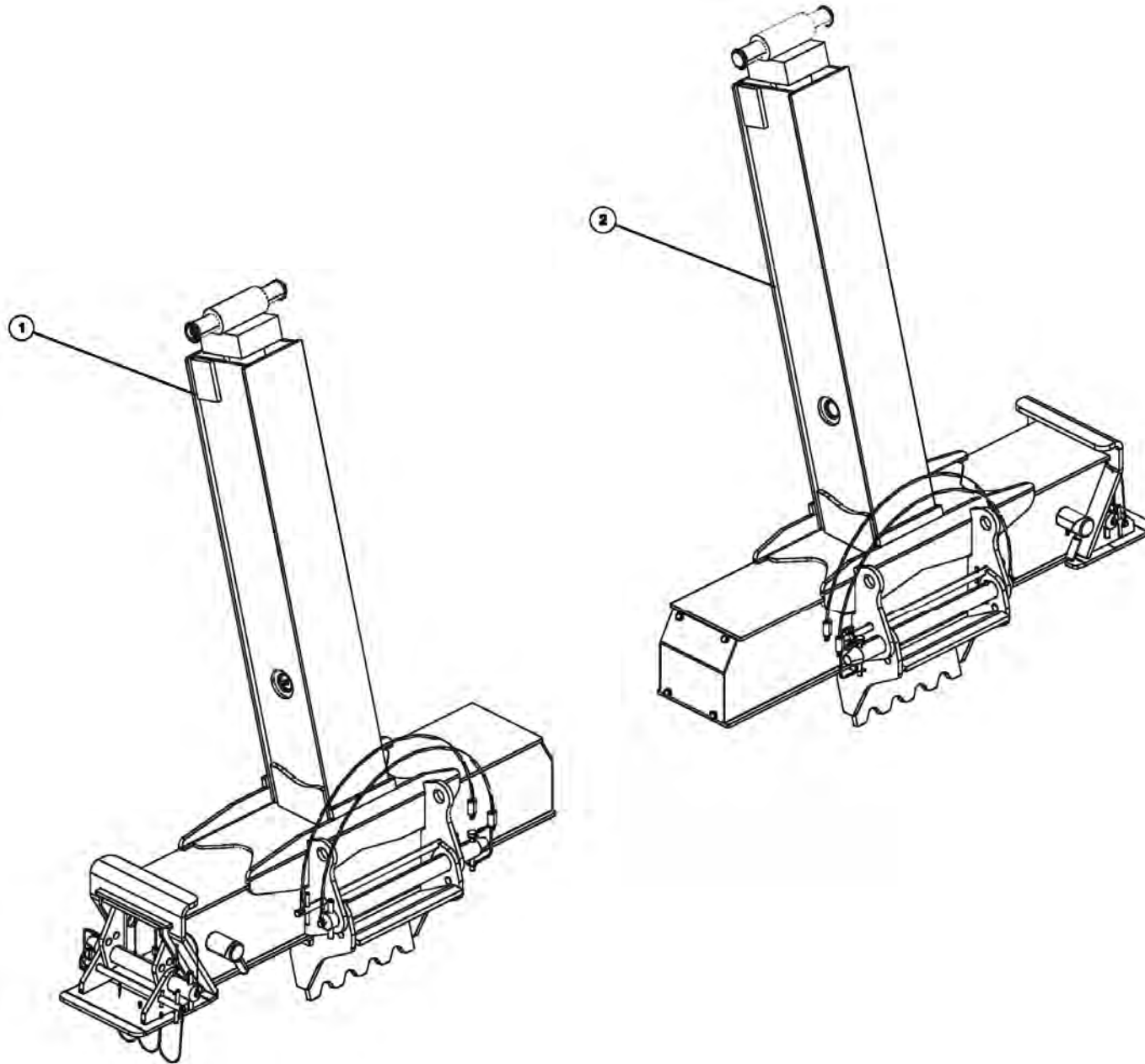
Section I - PARTS

0910535, MANIFOLD PACKAGE 16 VALVE 12V DC (cont'd)

ITEM	PART NUMBER	DESCRIPTION	QTY
1	03002200	PNUT HDP20 24, 2411-001-2405	1
2	03002201	LKWR HDP20 24, 2414-001-2486	1
3	03015444	CONN HDP20, HDP24-24-23PE	1
4	03015445	CONN HDP20, HDP26-24-23SE	1
5	03015481	DIST BLOCK, 18+1 BK, 1047436	1
6	03015482	DIST BLOCK, 6+1 RED, 1047480	1
7	03015483	FLANGE, PTFIX-F, 3274060	2
8	0311596	AIR BANK-16 POS 12V	1
9	0400009	SCREW, 8-32X1-1/2 PRH SS	2
10	04000361	10-24 SS KEP NUT	2
11	0400352	NUT, 8-32 LOK	2
12	04003628	NUT, LOK, M2.5 985-A2	2
13	04003629	SCREW, SHC, M2.5 X 16MM, A-2	2
14	0400687	SCREW, 10-24X3/4 PRH SS	2
15	07018065	BRACKET, HDP20 90 DEG. D	1
16	0725047	PLATE-AIR BANK BACKING	1

Section I - PARTS

0911460, REAR OUTRIGGER KIT 3212/V30



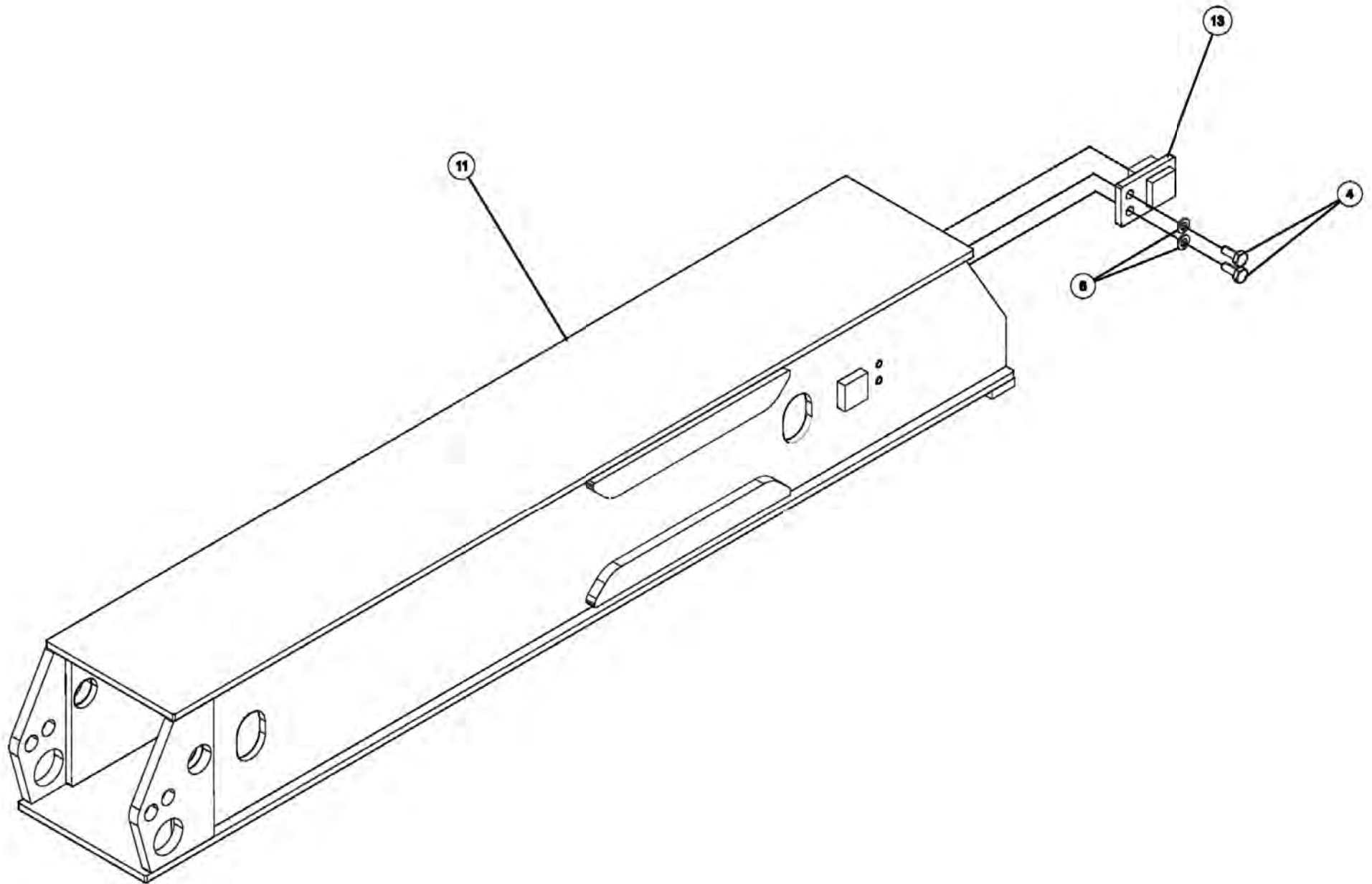
Section I - PARTS

0911460, REAR OUTRIGGER KIT 3212/V30 (cont'd)

ITEM	PART NUMBER	DESCRIPTION	QTY
1	0911461	LH REAR OUTRIGGER ASSY - 3212	1
2	0911462	RH REAR OUTRIGGER ASSY - 3212	1

Section I - PARTS

0911461, LH REAR OUTRIGGER ASSEMBLY 3212/V30 (cont'd)



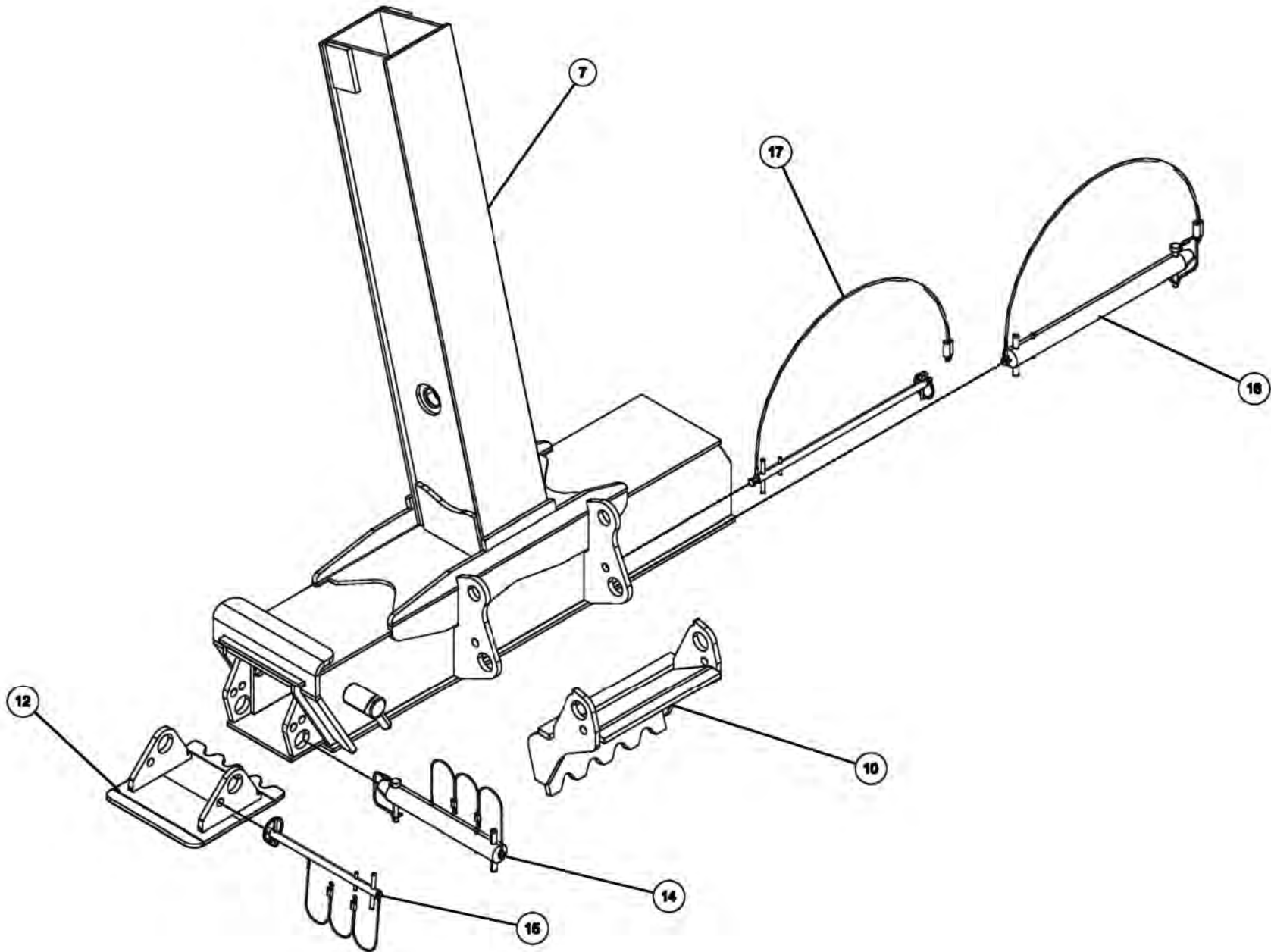
Section I - PARTS

0911461, LH REAR OUTRIGGER ASSEMBLY 3212/V30 (cont'd)

ITEM	PART NUMBER	DESCRIPTION	QTY
1	0300113	GREASE FITTING, 1/4-28 STR	1
2	0301895	GREASE FITTING, 1/8 STR PTF	1
3	0302510	ADAPTER, 6MJ-6MBL	2
4	0400059	SCREW, 1/4-20X5/8 HHC GR5	4
5	0400060	SCREW, 1/4-20X1/2 HHC GR5	4
6	0400452	LKWASHER, 1/4	8
7	0811053	LH REAR OUTRIGGER WELD'T -3212	1
8	3014-700001	PIN - SPADE EXT (ROD) 3014-910	1
9	3116-712020	PANEL, COVER REAR OUTRIGGER	1
10	3116-812500	REAR OUTRIGGER SPADE WELD'T	1
11	3116-814000	REAR INNER OUTRIGGER WELD'T	1
12	3116-814500	REAR OUTRIGGER PAD WELD'T	1
13	3116-816800	OUTRIGGER STOP BLOCK WELD'T	2
14	3116-905003	PIVOT PIN, REAR O/R SPADE ASSY	1
15	3116-905004	RETAIN PIN,REAR O/R SPADE ASSY	1
16	3116-905005	PIVOT PIN, JACKLEG SPADE ASSY	1
17	3116-905006	RETAIN PIN, JACKLEG SPADE ASSY	1
18	511-2500002	CYL, HYD - JACKLEG 18" STROKE	1
19	810350002	PIN - UPPER TILT CYL.	1
20	9056125	1.25 NOM HVY DUTY RET RING EXT	2
21	9057125	RETAINING RING, 1-1/4 INT	2

Section I - PARTS

0911461, LH REAR OUTRIGGER ASSEMBLY 3212/V30 (cont'd)



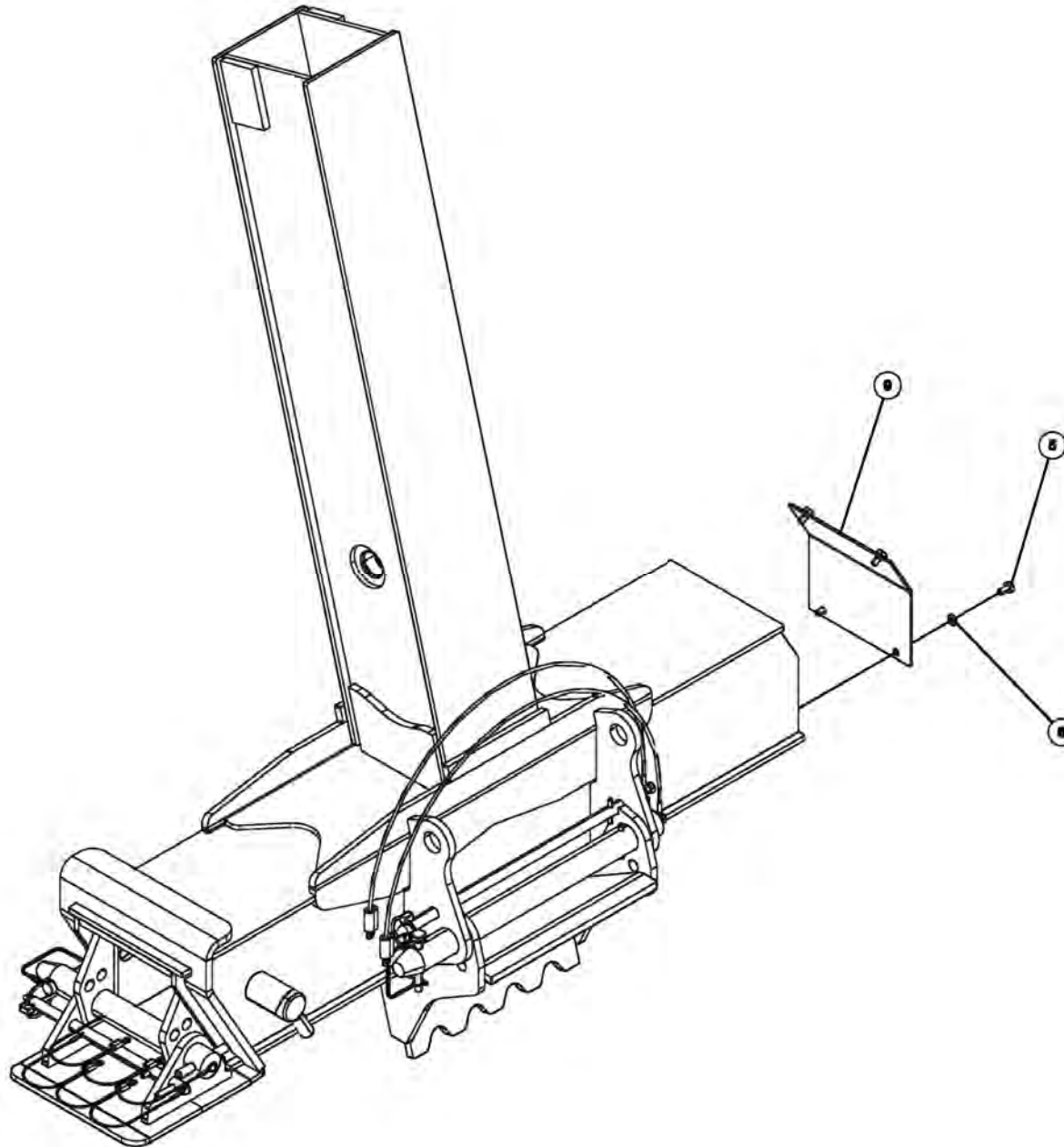
Section I - PARTS

0911461, LH REAR OUTRIGGER ASSEMBLY 3212/V30 (cont'd)

ITEM	PART NUMBER	DESCRIPTION	QTY
1	0300113	GREASE FITTING, 1/4-28 STR	1
2	0301895	GREASE FITTING, 1/8 STR PTF	1
3	0302510	ADAPTER, 6MJ-6MBL	2
4	0400059	SCREW, 1/4-20X5/8 HHC GR5	4
5	0400060	SCREW, 1/4-20X1/2 HHC GR5	4
6	0400452	LKWASHER, 1/4	8
7	0811053	LH REAR OUTRIGGER WELD'T -3212	1
8	3014-700001	PIN - SPADE EXT (ROD) 3014-910	1
9	3116-712020	PANEL, COVER REAR OUTRIGGER	1
10	3116-812500	REAR OUTRIGGER SPADE WELD'T	1
11	3116-814000	REAR INNER OUTRIGGER WELD'T	1
12	3116-814500	REAR OUTRIGGER PAD WELD'T	1
13	3116-816800	OUTRIGGER STOP BLOCK WELD'T	2
14	3116-905003	PIVOT PIN, REAR O/R SPADE ASSY	1
15	3116-905004	RETAIN PIN,REAR O/R SPADE ASSY	1
16	3116-905005	PIVOT PIN, JACKLEG SPADE ASSY	1
17	3116-905006	RETAIN PIN, JACKLEG SPADE ASSY	1
18	511-2500002	CYL, HYD - JACKLEG 18" STROKE	1
19	810350002	PIN - UPPER TILT CYL.	1
20	9056125	1.25 NOM HVY DUTY RET RING EXT	2
21	9057125	RETAINING RING, 1-1/4 INT	2

Section I - PARTS

0911461, LH REAR OUTRIGGER ASSEMBLY 3212/V30 (cont'd)



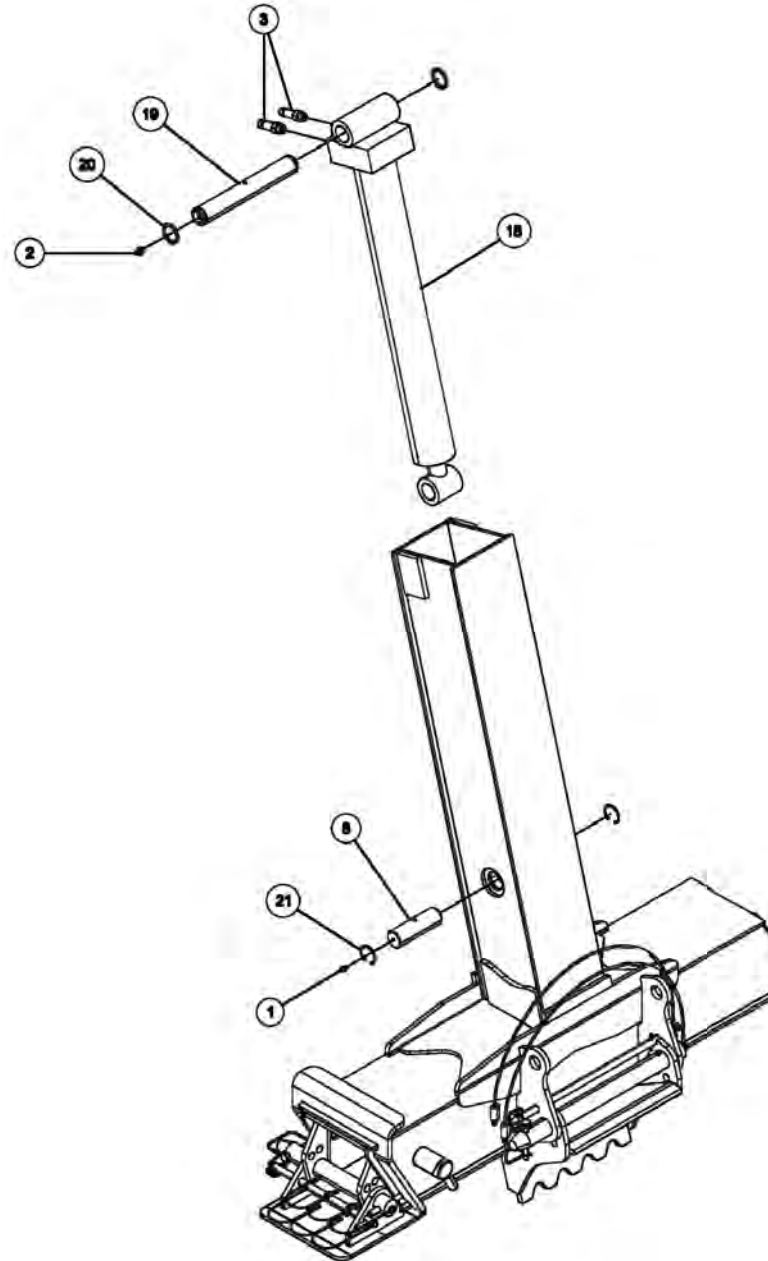
Section I - PARTS

0911461, LH REAR OUTRIGGER ASSEMBLY 3212/V30 (cont'd)

ITEM	PART NUMBER	DESCRIPTION	QTY
1	0300113	GREASE FITTING, 1/4-28 STR	1
2	0301895	GREASE FITTING, 1/8 STR PTF	1
3	0302510	ADAPTER, 6MJ-6MBL	2
4	0400059	SCREW, 1/4-20X5/8 HHC GR5	4
5	0400060	SCREW, 1/4-20X1/2 HHC GR5	4
6	0400452	LKWASHER, 1/4	8
7	0811053	LH REAR OUTRIGGER WELD'T -3212	1
8	3014-700001	PIN - SPADE EXT (ROD) 3014-910	1
9	3116-712020	PANEL, COVER REAR OUTRIGGER	1
10	3116-812500	REAR OUTRIGGER SPADE WELD'T	1
11	3116-814000	REAR INNER OUTRIGGER WELD'T	1
12	3116-814500	REAR OUTRIGGER PAD WELD'T	1
13	3116-816800	OUTRIGGER STOP BLOCK WELD'T	2
14	3116-905003	PIVOT PIN, REAR O/R SPADE ASSY	1
15	3116-905004	RETAIN PIN,REAR O/R SPADE ASSY	1
16	3116-905005	PIVOT PIN, JACKLEG SPADE ASSY	1
17	3116-905006	RETAIN PIN, JACKLEG SPADE ASSY	1
18	511-2500002	CYL, HYD - JACKLEG 18" STROKE	1
19	810350002	PIN - UPPER TILT CYL.	1
20	9056125	1.25 NOM HVY DUTY RET RING EXT	2
21	9057125	RETAINING RING, 1-1/4 INT	2

Section I - PARTS

0911461, LH REAR OUTRIGGER ASSEMBLY 3212/V30 (cont'd)



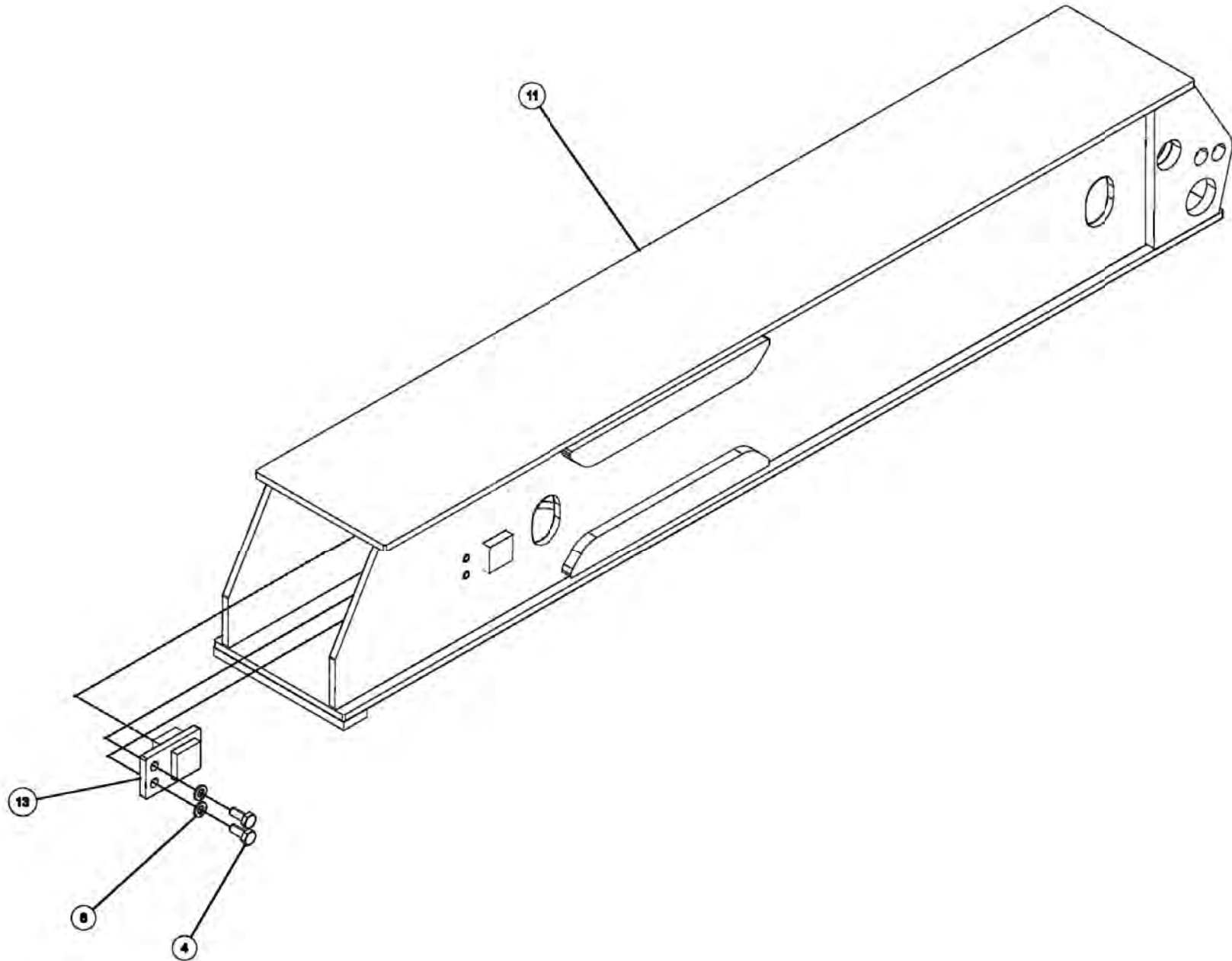
Section I - PARTS

0911461, LH REAR OUTRIGGER ASSEMBLY 3212/V30 (cont'd)

ITEM	PART NUMBER	DESCRIPTION	QTY
1	0300113	GREASE FITTING, 1/4-28 STR	1
2	0301895	GREASE FITTING, 1/8 STR PTF	1
3	0302510	ADAPTER, 6MJ-6MBL	2
4	0400059	SCREW, 1/4-20X5/8 HHC GR5	4
5	0400060	SCREW, 1/4-20X1/2 HHC GR5	4
6	0400452	LKWASHER, 1/4	8
7	0811053	LH REAR OUTRIGGER WELD'T -3212	1
8	3014-700001	PIN - SPADE EXT (ROD) 3014-910	1
9	3116-712020	PANEL, COVER REAR OUTRIGGER	1
10	3116-812500	REAR OUTRIGGER SPADE WELD'T	1
11	3116-814000	REAR INNER OUTRIGGER WELD'T	1
12	3116-814500	REAR OUTRIGGER PAD WELD'T	1
13	3116-816800	OUTRIGGER STOP BLOCK WELD'T	2
14	3116-905003	PIVOT PIN, REAR O/R SPADE ASSY	1
15	3116-905004	RETAIN PIN,REAR O/R SPADE ASSY	1
16	3116-905005	PIVOT PIN, JACKLEG SPADE ASSY	1
17	3116-905006	RETAIN PIN, JACKLEG SPADE ASSY	1
18	511-2500002	CYL, HYD - JACKLEG 18" STROKE	1
19	810350002	PIN - UPPER TILT CYL.	1
20	9056125	1.25 NOM HVY DUTY RET RING EXT	2
21	9057125	RETAINING RING, 1-1/4 INT	2

Section I - PARTS

0911462, RH REAR OUTRIGGER ASSEMBLY 3212/V30



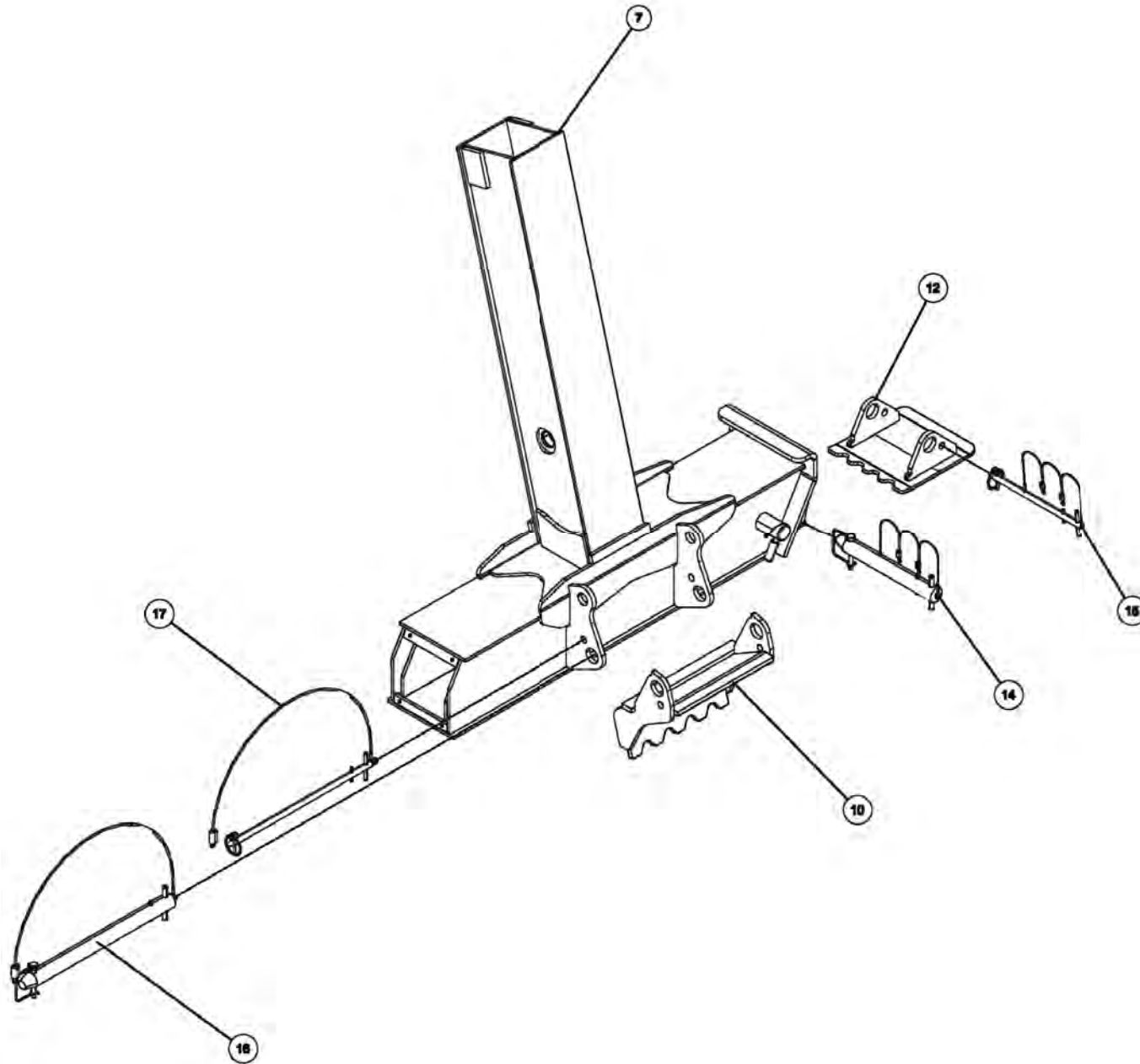
Section I - PARTS

0911462, RH REAR OUTRIGGER ASSEMBLY 3212/V30 (cont'd)

ITEM	PART NUMBER	DESCRIPTION	QTY
1	0300113	GREASE FITTING, 1/4-28 STR	1
2	0301895	GREASE FITTING, 1/8 STR PTF	1
3	0302510	ADAPTER, 6MJ-6MBL	2
4	0400059	SCREW, 1/4-20X5/8 HHC GR5	4
5	0400060	SCREW, 1/4-20X1/2 HHC GR5	4
6	0400452	LKWASHER, 1/4	8
7	0811054	RH REAR OUTRIGGER WELD'T -3212	1
8	3014-700001	PIN - SPADE EXT (ROD) 3014-910	1
9	3116-712020	PANEL, COVER REAR OUTRIGGER	1
10	3116-812500	REAR OUTRIGGER SPADE WELD'T	1
11	3116-814000	REAR INNER OUTRIGGER WELD'T	1
12	3116-814500	REAR OUTRIGGER PAD WELD'T	1
13	3116-816800	OUTRIGGER STOP BLOCK WELD'T	2
14	3116-905003	PIVOT PIN, REAR O/R SPADE ASSY	1
15	3116-905004	RETAIN PIN,REAR O/R SPADE ASSY	1
16	3116-905005	PIVOT PIN, JACKLEG SPADE ASSY	1
17	3116-905006	RETAIN PIN, JACKLEG SPADE ASSY	1
18	511-2500002	CYL, HYD - JACKLEG 18" STROKE	1
19	810350002	PIN - UPPER TILT CYL.	1
20	9056125	1.25 NOM HVY DUTY RET RING EXT	2
21	9057125	RETAINING RING, 1-1/4 INT	2

Section I - PARTS

0911462, RH REAR OUTRIGGER ASSEMBLY 3212/V30 (cont'd)



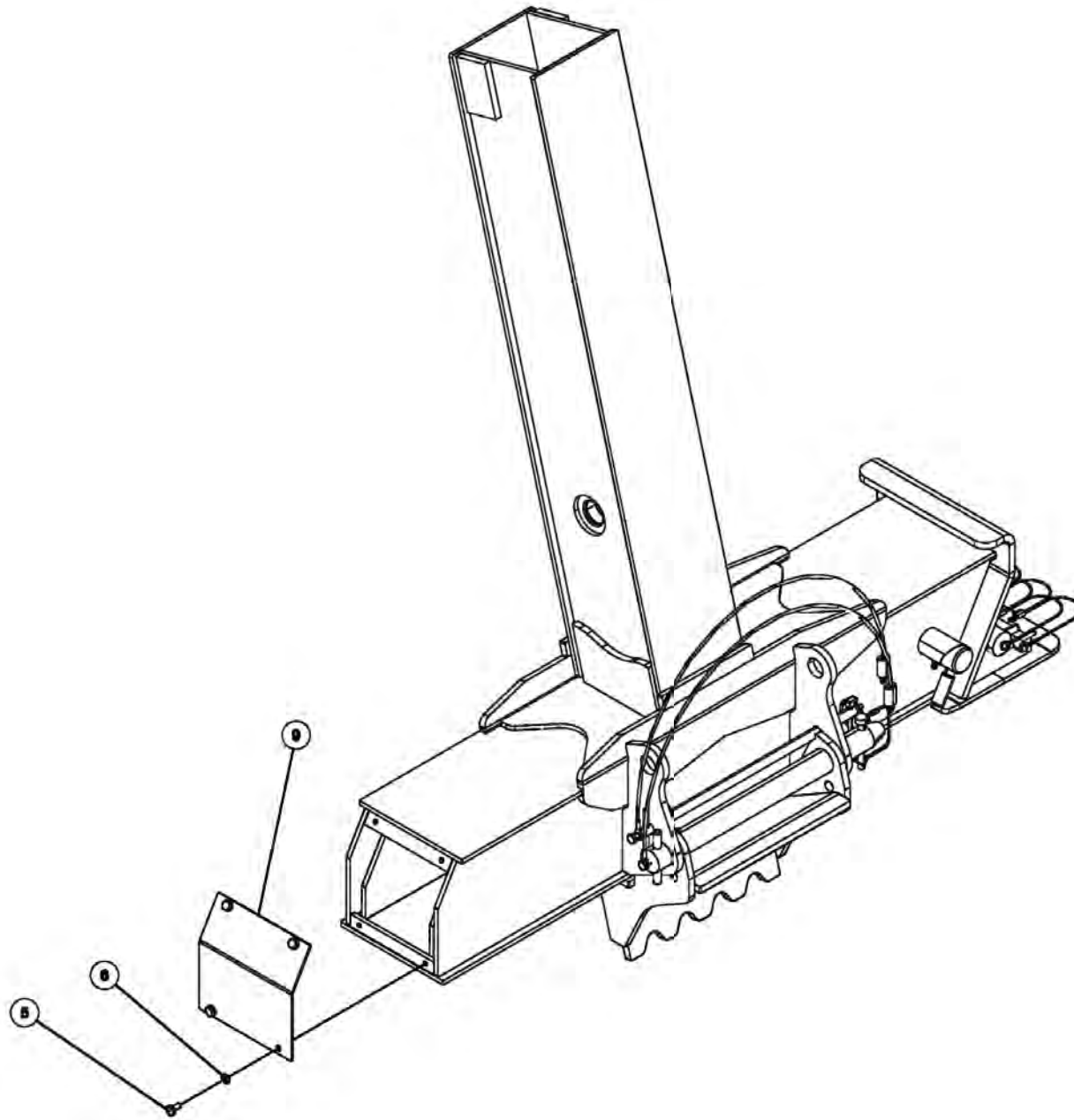
Section I - PARTS

0911462, RH REAR OUTRIGGER ASSEMBLY 3212/V30 (cont'd)

ITEM	PART NUMBER	DESCRIPTION	QTY
1	0300113	GREASE FITTING, 1/4-28 STR	1
2	0301895	GREASE FITTING, 1/8 STR PTF	1
3	0302510	ADAPTER, 6MJ-6MBL	2
4	0400059	SCREW, 1/4-20X5/8 HHC GR5	4
5	0400060	SCREW, 1/4-20X1/2 HHC GR5	4
6	0400452	LKWASHER, 1/4	8
7	0811054	RH REAR OUTRIGGER WELD'T -3212	1
8	3014-700001	PIN - SPADE EXT (ROD) 3014-910	1
9	3116-712020	PANEL, COVER REAR OUTRIGGER	1
10	3116-812500	REAR OUTRIGGER SPADE WELD'T	1
11	3116-814000	REAR INNER OUTRIGGER WELD'T	1
12	3116-814500	REAR OUTRIGGER PAD WELD'T	1
13	3116-816800	OUTRIGGER STOP BLOCK WELD'T	2
14	3116-905003	PIVOT PIN, REAR O/R SPADE ASSY	1
15	3116-905004	RETAIN PIN,REAR O/R SPADE ASSY	1
16	3116-905005	PIVOT PIN, JACKLEG SPADE ASSY	1
17	3116-905006	RETAIN PIN, JACKLEG SPADE ASSY	1
18	511-2500002	CYL, HYD - JACKLEG 18" STROKE	1
19	810350002	PIN - UPPER TILT CYL.	1
20	9056125	1.25 NOM HVY DUTY RET RING EXT	2
21	9057125	RETAINING RING, 1-1/4 INT	2

Section I - PARTS

0911462, RH REAR OUTRIGGER ASSEMBLY 3212/V30 (cont'd)



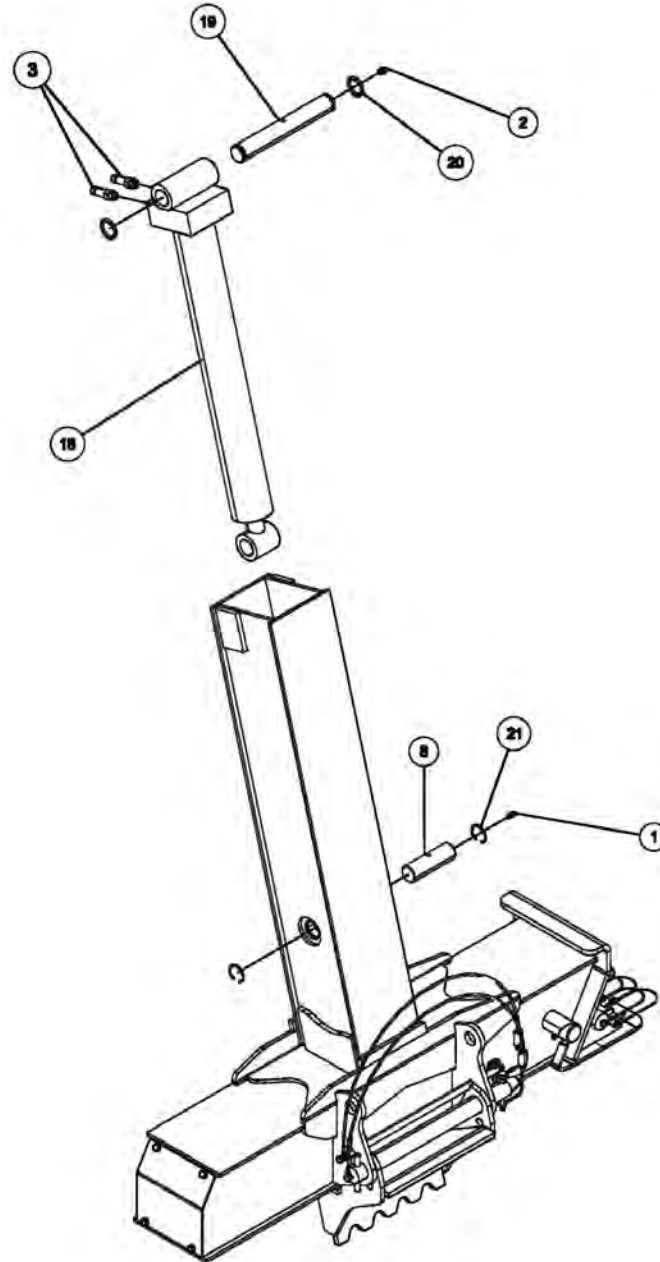
Section I - PARTS

0911462, RH REAR OUTRIGGER ASSEMBLY 3212/V30 (cont'd)

ITEM	PART NUMBER	DESCRIPTION	QTY
1	0300113	GREASE FITTING, 1/4-28 STR	1
2	0301895	GREASE FITTING, 1/8 STR PTF	1
3	0302510	ADAPTER, 6MJ-6MBL	2
4	0400059	SCREW, 1/4-20X5/8 HHC GR5	4
5	0400060	SCREW, 1/4-20X1/2 HHC GR5	4
6	0400452	LKWASHER, 1/4	8
7	0811054	RH REAR OUTRIGGER WELD'T -3212	1
8	3014-700001	PIN - SPADE EXT (ROD) 3014-910	1
9	3116-712020	PANEL, COVER REAR OUTRIGGER	1
10	3116-812500	REAR OUTRIGGER SPADE WELD'T	1
11	3116-814000	REAR INNER OUTRIGGER WELD'T	1
12	3116-814500	REAR OUTRIGGER PAD WELD'T	1
13	3116-816800	OUTRIGGER STOP BLOCK WELD'T	2
14	3116-905003	PIVOT PIN, REAR O/R SPADE ASSY	1
15	3116-905004	RETAIN PIN,REAR O/R SPADE ASSY	1
16	3116-905005	PIVOT PIN, JACKLEG SPADE ASSY	1
17	3116-905006	RETAIN PIN, JACKLEG SPADE ASSY	1
18	511-2500002	CYL, HYD - JACKLEG 18" STROKE	1
19	810350002	PIN - UPPER TILT CYL.	1
20	9056125	1.25 NOM HVY DUTY RET RING EXT	2
21	9057125	RETAINING RING, 1-1/4 INT	2

Section I - PARTS

0911462, RH REAR OUTRIGGER ASSEMBLY 3212/V30 (cont'd)



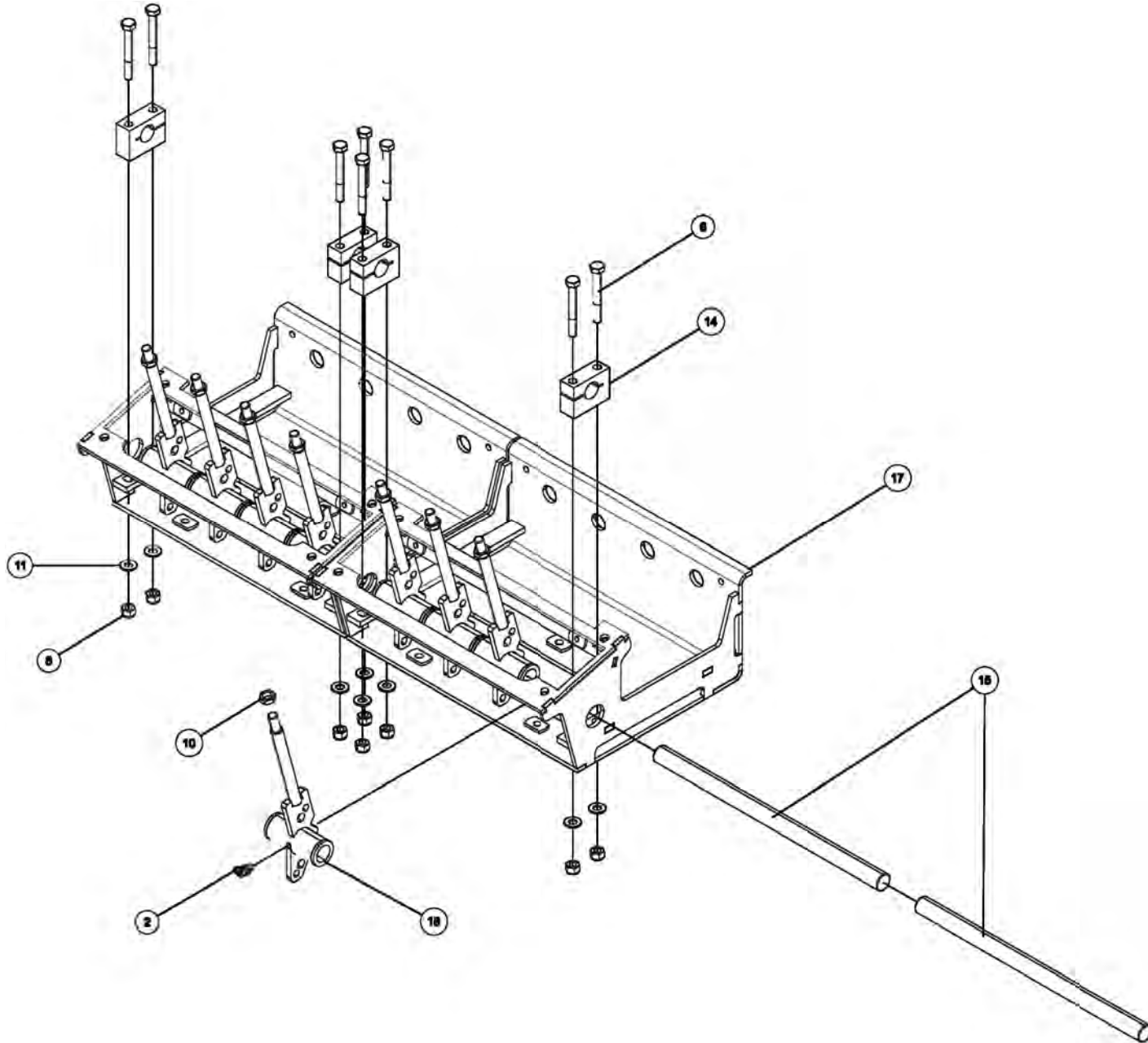
Section I - PARTS

0911462, RH REAR OUTRIGGER ASSEMBLY 3212/V30 (cont'd)

ITEM	PART NUMBER	DESCRIPTION	QTY
1	0300113	GREASE FITTING, 1/4-28 STR	1
2	0301895	GREASE FITTING, 1/8 STR PTF	1
3	0302510	ADAPTER, 6MJ-6MBL	2
4	0400059	SCREW, 1/4-20X5/8 HHC GR5	4
5	0400060	SCREW, 1/4-20X1/2 HHC GR5	4
6	0400452	LKWASHER, 1/4	8
7	0811054	RH REAR OUTRIGGER WELD'T -3212	1
8	3014-700001	PIN - SPADE EXT (ROD) 3014-910	1
9	3116-712020	PANEL, COVER REAR OUTRIGGER	1
10	3116-812500	REAR OUTRIGGER SPADE WELD'T	1
11	3116-814000	REAR INNER OUTRIGGER WELD'T	1
12	3116-814500	REAR OUTRIGGER PAD WELD'T	1
13	3116-816800	OUTRIGGER STOP BLOCK WELD'T	2
14	3116-905003	PIVOT PIN, REAR O/R SPADE ASSY	1
15	3116-905004	RETAIN PIN,REAR O/R SPADE ASSY	1
16	3116-905005	PIVOT PIN, JACKLEG SPADE ASSY	1
17	3116-905006	RETAIN PIN, JACKLEG SPADE ASSY	1
18	511-2500002	CYL, HYD - JACKLEG 18" STROKE	1
19	810350002	PIN - UPPER TILT CYL.	1
20	9056125	1.25 NOM HVY DUTY RET RING EXT	2
21	9057125	RETAINING RING, 1-1/4 INT	2

Section I - PARTS

0911708, LH CONTROL 3212/V30



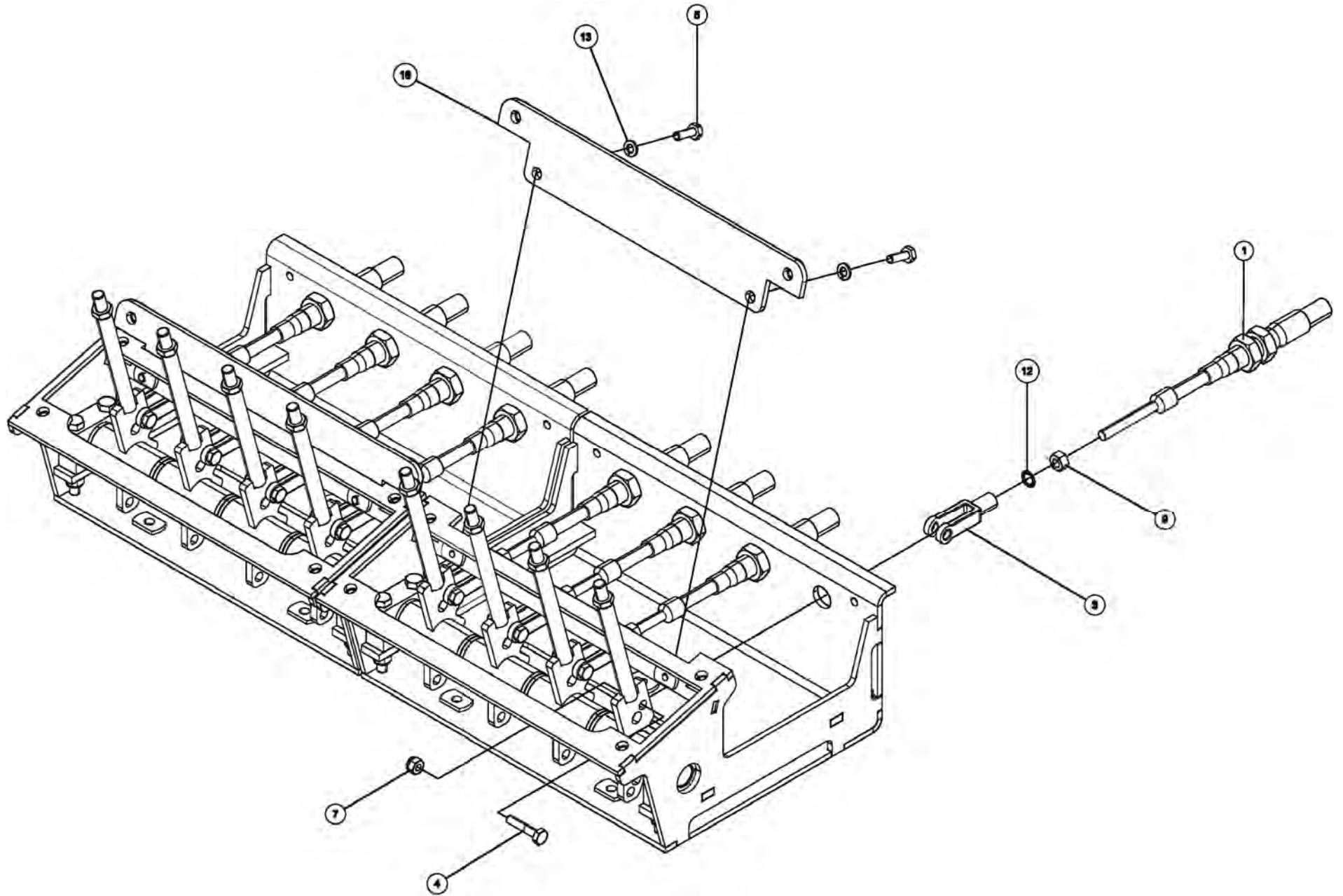
Section I - PARTS

0911708, LH CONTROL 3212/V30 (cont'd)

ITEM	PART NUMBER	DESCRIPTION	QTY
1	0302453	CABLE, CONTROL 92	8
2	0302726	GREASE FITTING, 1/4-28 45	8
3	0303008	ADJUSTABLE CLEVIS	8
4	0400057	SCREW, 1/4-20X1-1/4 HHC	8
5	0400066	SCREW, 1/4-20X3/4 HHC GR5	4
6	0400107	SCREW, 5/16-18X2-1/2 HHC GR5	8
7	0400367	NUT, 1/4-20 LOK	8
8	0400382	NUT, 5/16-18 LOK	8
9	0400383	NUT, 5/16-24 HEX	8
10	0400393	NUT, 3/8-16 JAM	8
11	0400463	WASHER, 5/16	8
12	0400466	LKWASHER, 5/16 INT	8
13	0402111	LKWASHER, 1/4 SS	4
14	0711235	CLAMP, SHAFT CONTROL BOX	4
15	0726405	PIN - CONTROL (4-HANDLE)	2
16	0810457	CONTROL BAR WLMT (4-HANDLE)	2
17	0810459	CONTROL FRAME (4-HANDLE)	2
18	0907441	CONTROL HANDLE ASSY - SHORT	8

Section I - PARTS

0911708, LH CONTROL 3212/V30 (cont'd)



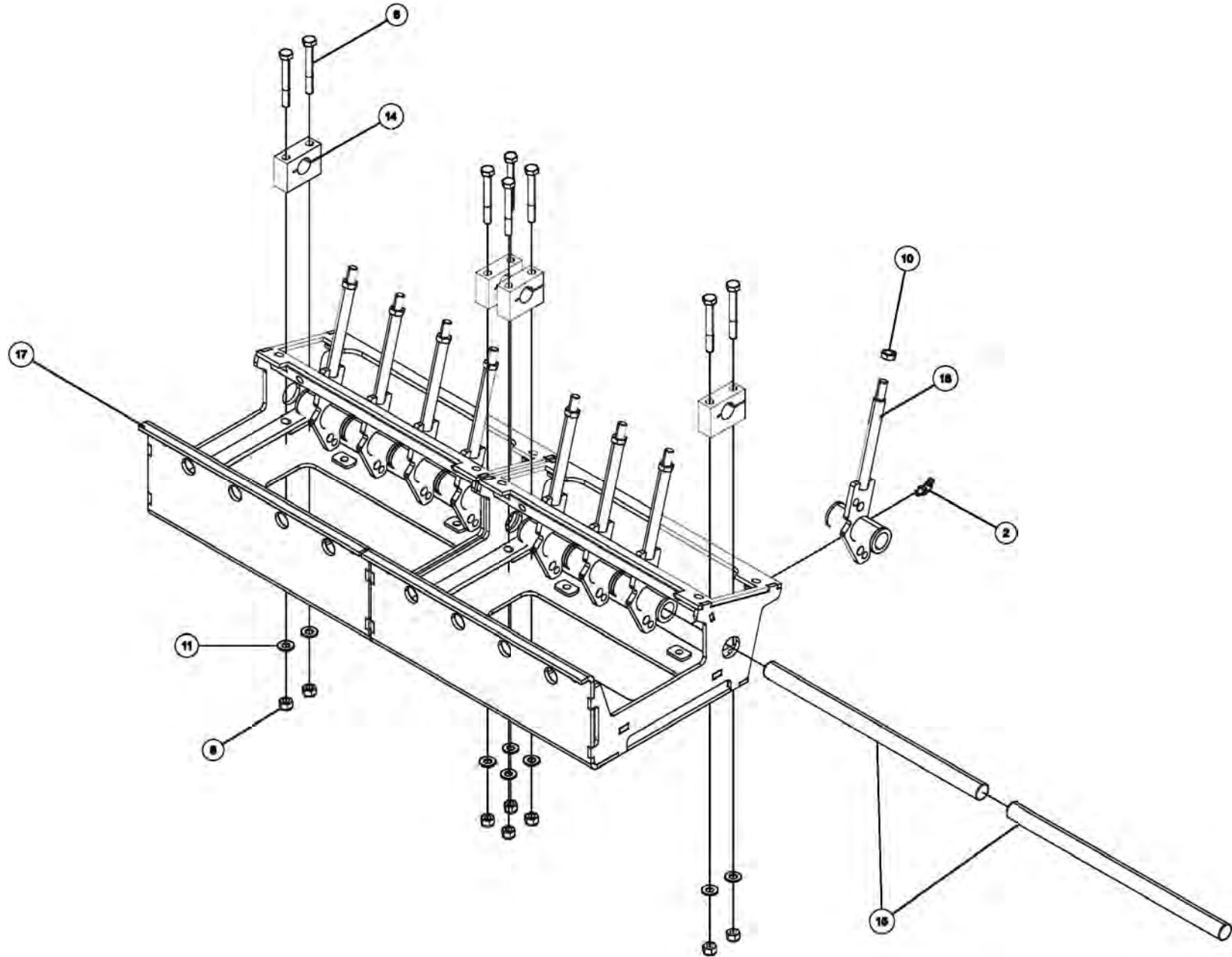
Section I - PARTS

0911708, LH CONTROL 3212/V30 (cont'd)

ITEM	PART NUMBER	DESCRIPTION	QTY
1	0302453	CABLE, CONTROL 92	8
2	0302726	GREASE FITTING, 1/4-28 45	8
3	0303008	ADJUSTABLE CLEVIS	8
4	0400057	SCREW, 1/4-20X1-1/4 HHC	8
5	0400066	SCREW, 1/4-20X3/4 HHC GR5	4
6	0400107	SCREW, 5/16-18X2-1/2 HHC GR5	8
7	0400367	NUT, 1/4-20 LOK	8
8	0400382	NUT, 5/16-18 LOK	8
9	0400383	NUT, 5/16-24 HEX	8
10	0400393	NUT, 3/8-16 JAM	8
11	0400463	WASHER, 5/16	8
12	0400466	LKWASHER, 5/16 INT	8
13	0402111	LKWASHER, 1/4 SS	4
14	0711235	CLAMP, SHAFT CONTROL BOX	4
15	0726405	PIN - CONTROL (4-HANDLE)	2
16	0810457	CONTROL BAR WLMT (4-HANDLE)	2
17	0810459	CONTROL FRAME (4-HANDLE)	2
18	0907441	CONTROL HANDLE ASSY - SHORT	8

Section I - PARTS

0911709, RH CONTROL 3212/V30



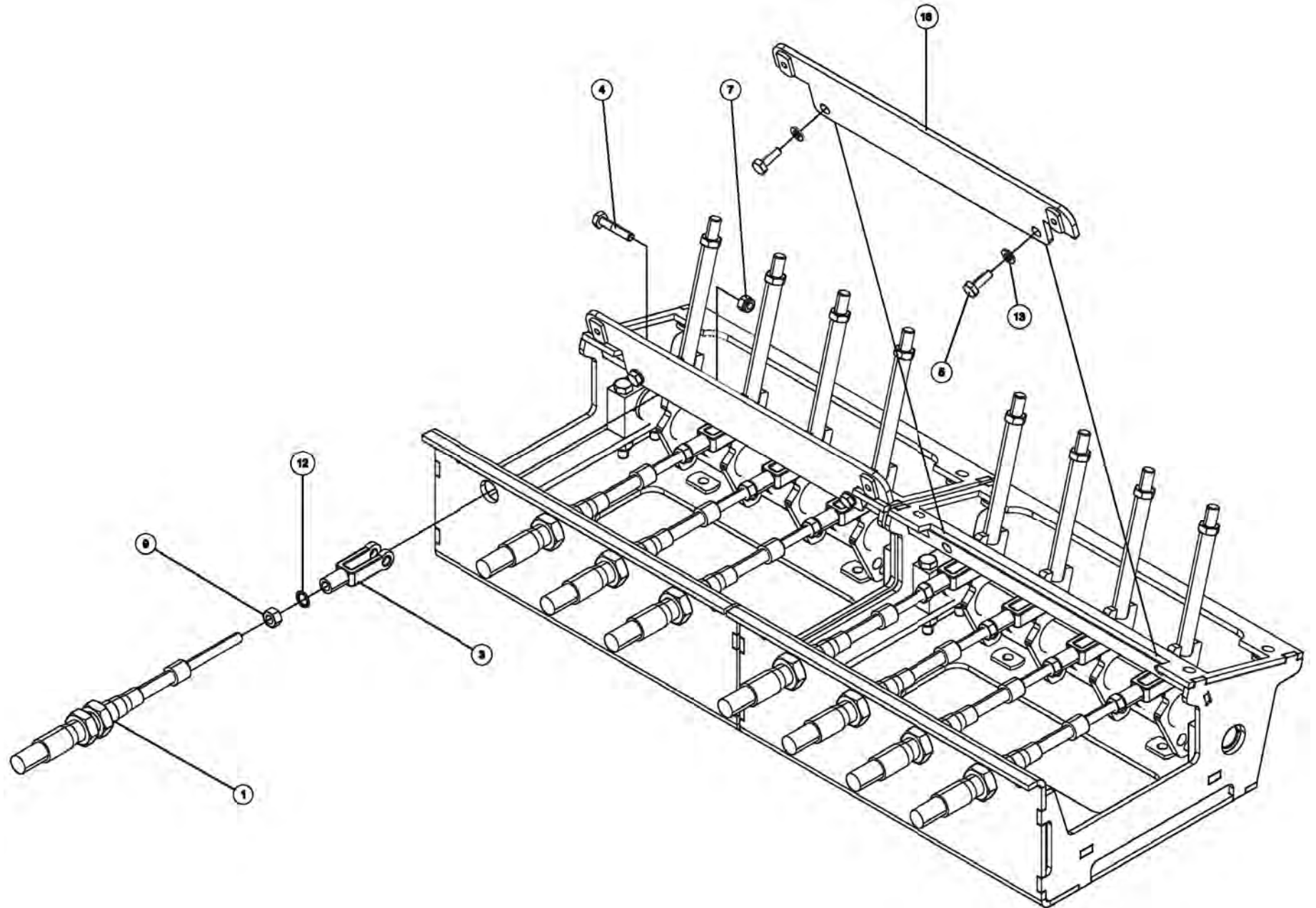
Section I - PARTS

0911709, RH CONTROL 3212/V30 (cont'd)

ITEM	PART NUMBER	DESCRIPTION	QTY
1	0302453	CABLE, CONTROL 92	8
2	0302726	GREASE FITTING, 1/4-28 45	8
3	0303008	ADJUSTABLE CLEVIS	8
4	0400057	SCREW, 1/4-20X1-1/4 HHC	8
5	0400066	SCREW, 1/4-20X3/4 HHC GR5	4
6	0400107	SCREW, 5/16-18X2-1/2 HHC GR5	8
7	0400367	NUT, 1/4-20 LOK	8
8	0400382	NUT, 5/16-18 LOK	8
9	0400383	NUT, 5/16-24 HEX	8
10	0400393	NUT, 3/8-16 JAM	8
11	0400463	WASHER, 5/16	8
12	0400466	LKWASHER, 5/16 INT	8
13	0402111	LKWASHER, 1/4 SS	4
14	0711235	CLAMP, SHAFT CONTROL BOX	4
15	0726405	PIN - CONTROL (4-HANDLE)	2
16	0810457	CONTROL BAR WLMT (4-HANDLE)	2
17	0810459	CONTROL FRAME (4-HANDLE)	2
18	0907441	CONTROL HANDLE ASSY - SHORT	8

Section I - PARTS

0911709, RH CONTROL 3212/V30 (cont'd)



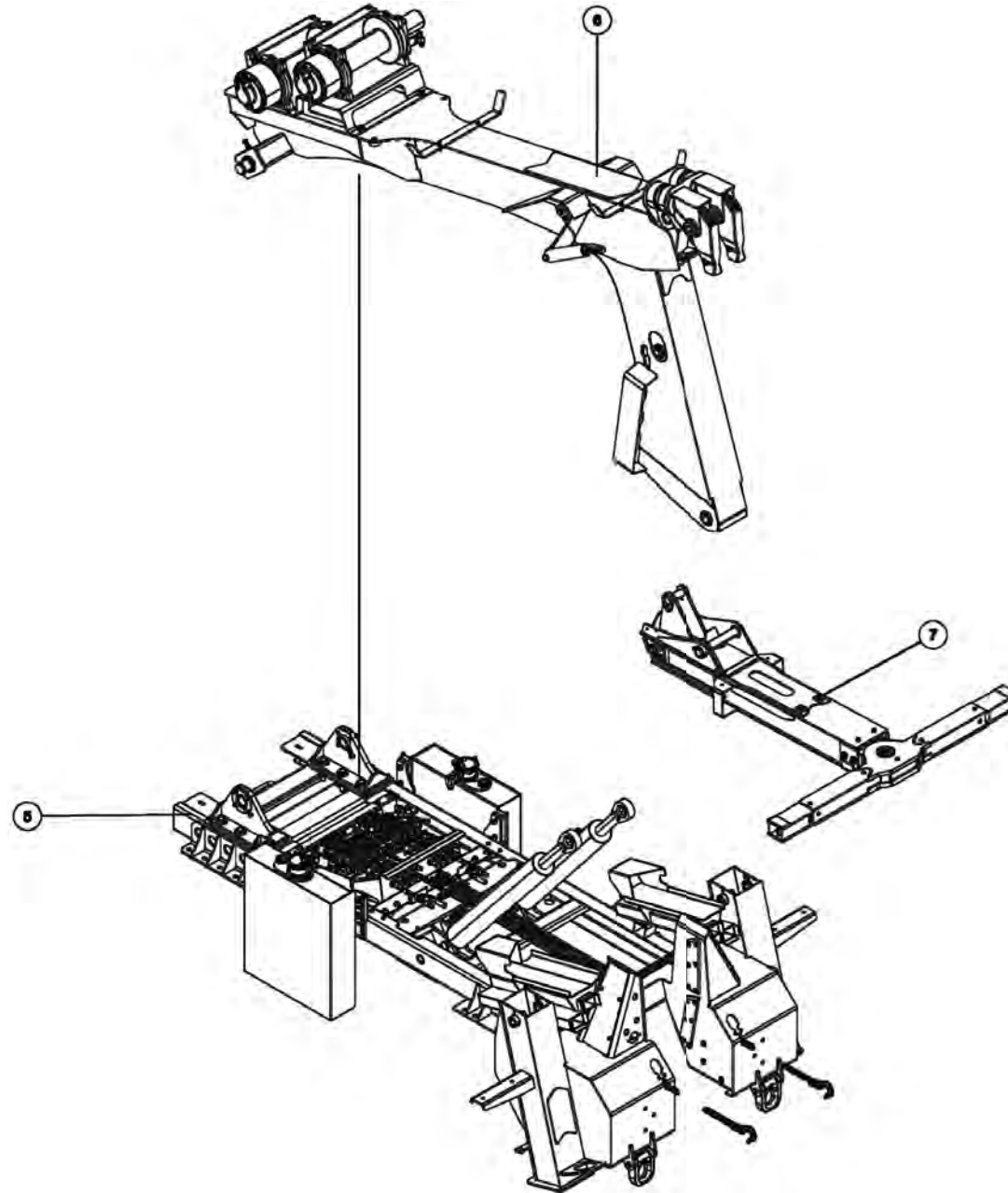
Section I - PARTS

0911709, RH CONTROL 3212/V30 (cont'd)

ITEM	PART NUMBER	DESCRIPTION	QTY
1	0302453	CABLE, CONTROL 92	8
2	0302726	GREASE FITTING, 1/4-28 45	8
3	0303008	ADJUSTABLE CLEVIS	8
4	0400057	SCREW, 1/4-20X1-1/4 HHC	8
5	0400066	SCREW, 1/4-20X3/4 HHC GR5	4
6	0400107	SCREW, 5/16-18X2-1/2 HHC GR5	8
7	0400367	NUT, 1/4-20 LOK	8
8	0400382	NUT, 5/16-18 LOK	8
9	0400383	NUT, 5/16-24 HEX	8
10	0400393	NUT, 3/8-16 JAM	8
11	0400463	WASHER, 5/16	8
12	0400466	LKWASHER, 5/16 INT	8
13	0402111	LKWASHER, 1/4 SS	4
14	0711235	CLAMP, SHAFT CONTROL BOX	4
15	0726405	PIN - CONTROL (4-HANDLE)	2
16	0810457	CONTROL BAR WLMT (4-HANDLE)	2
17	0810459	CONTROL FRAME (4-HANDLE)	2
18	0907441	CONTROL HANDLE ASSY - SHORT	8

Section I - PARTS

0911728, 3212/V30 LONG TOWER CENTER SECTION



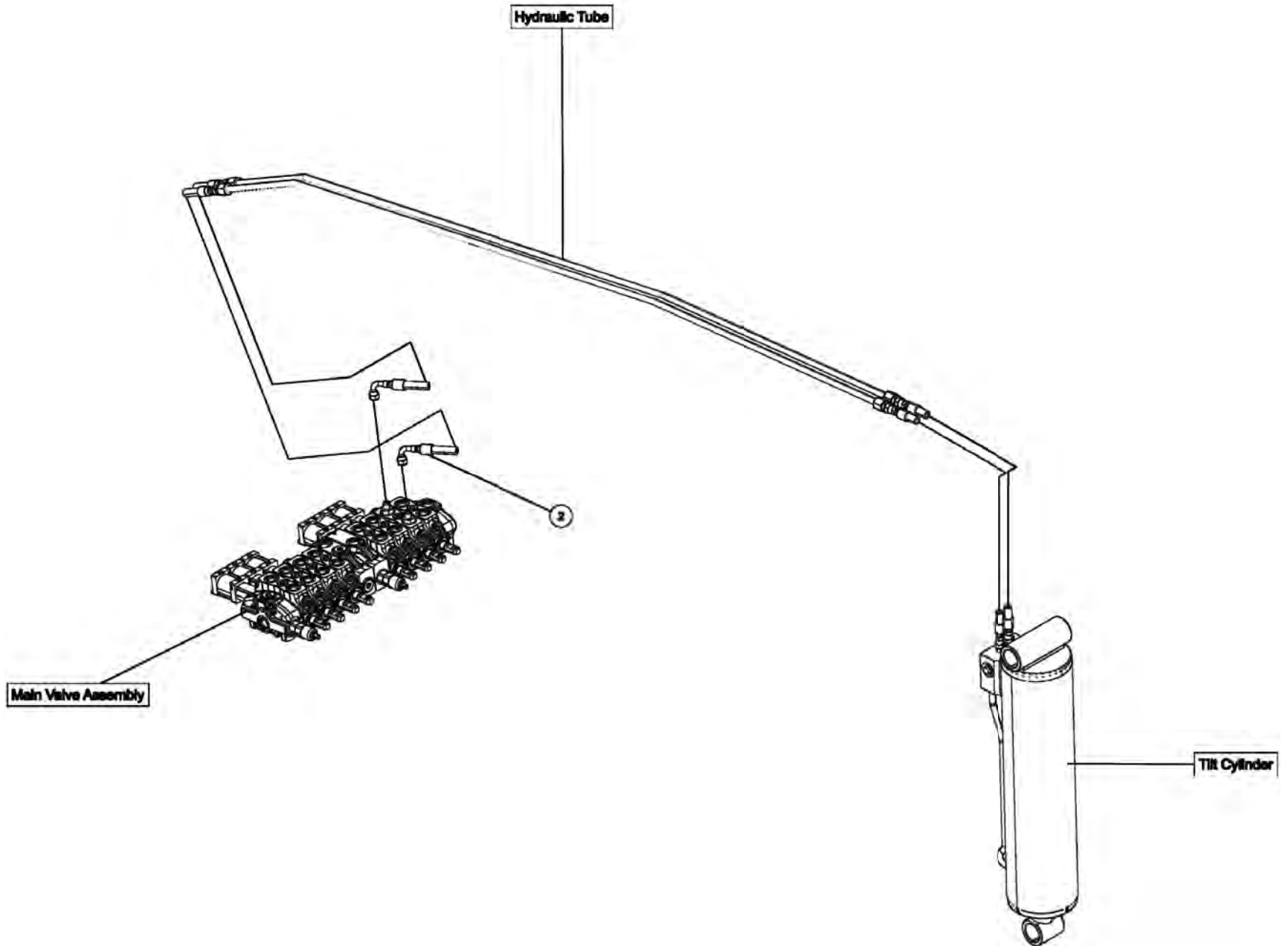
Section I - PARTS

0911728, 3212/V30 LONG TOWER CENTER SECTION (cont'd)

ITEM	PART NUMBER	DESCRIPTION	QTY
1	0301893	HOSE HYD, 84	4
2	0302604	HOSE HYD, 44"	4
3	0302605	HOSE HYD, 44"	2
4	0311772	HOSE-82" LONG 3/8"	2
5	0911729	3212/V30 LONG TWR SUBFR ASSY	1
6	0911730	3212/V30 LONG TWR BOOM ASSY	1
7	0911841	U/L BOOM ASSY - 3212/V30 GEN2	1

Section I - PARTS

0911728, 3212/V30 LONG TOWER CENTER SECTION (cont'd)



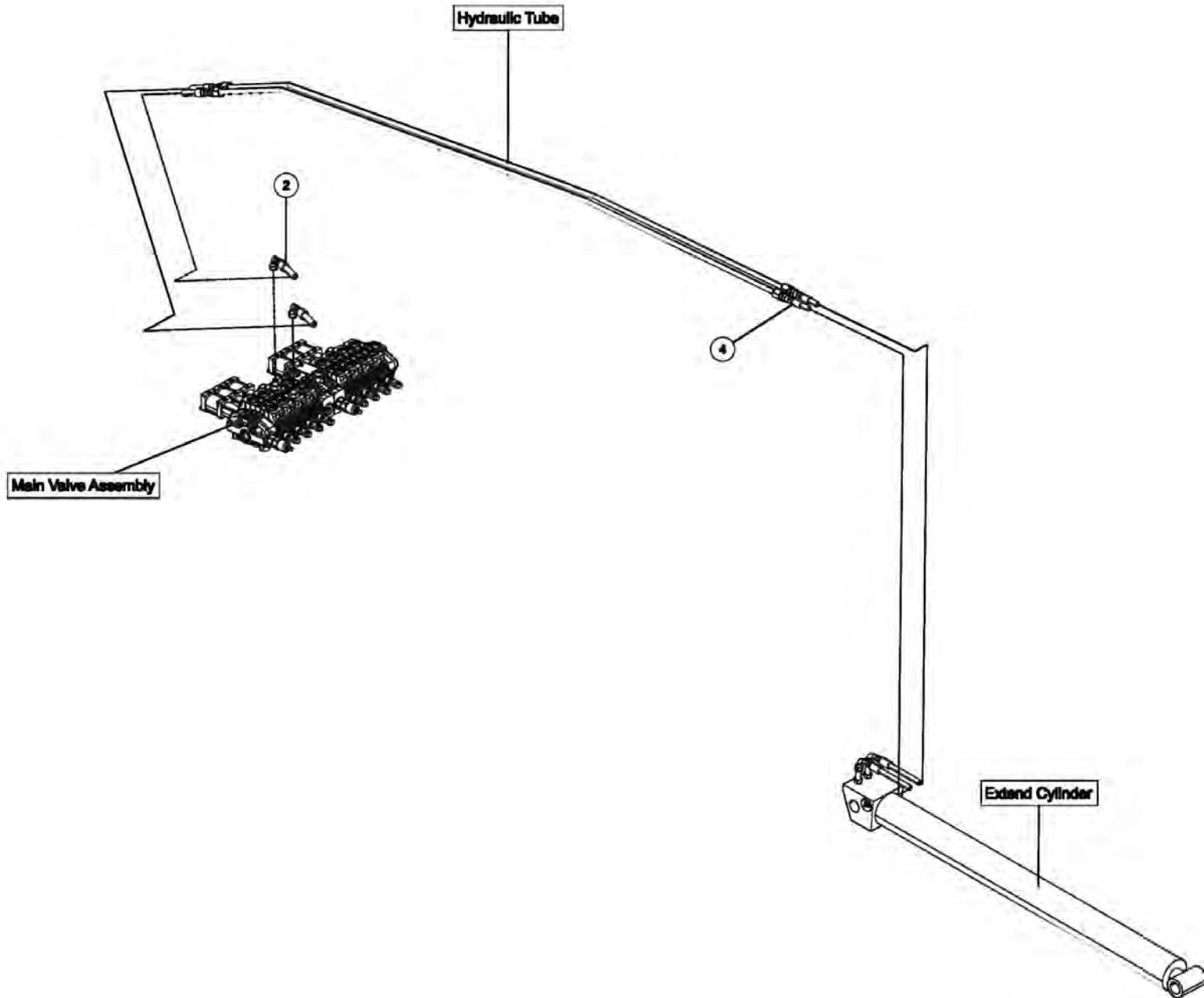
Section I - PARTS

0911728, 3212/V30 LONG TOWER CENTER SECTION (cont'd)

ITEM	PART NUMBER	DESCRIPTION	QTY
1	0301893	HOSE HYD, 84	4
2	0302604	HOSE HYD, 44"	4
3	0302605	HOSE HYD, 44"	2
4	0311772	HOSE-82" LONG 3/8"	2
5	0911729	3212/V30 LONG TWR SUBFR ASSY	1
6	0911730	3212/V30 LONG TWR BOOM ASSY	1
7	0911841	U/L BOOM ASSY - 3212/V30 GEN2	1

Section I - PARTS

0911728, 3212/V30 LONG TOWER CENTER SECTION (cont'd)



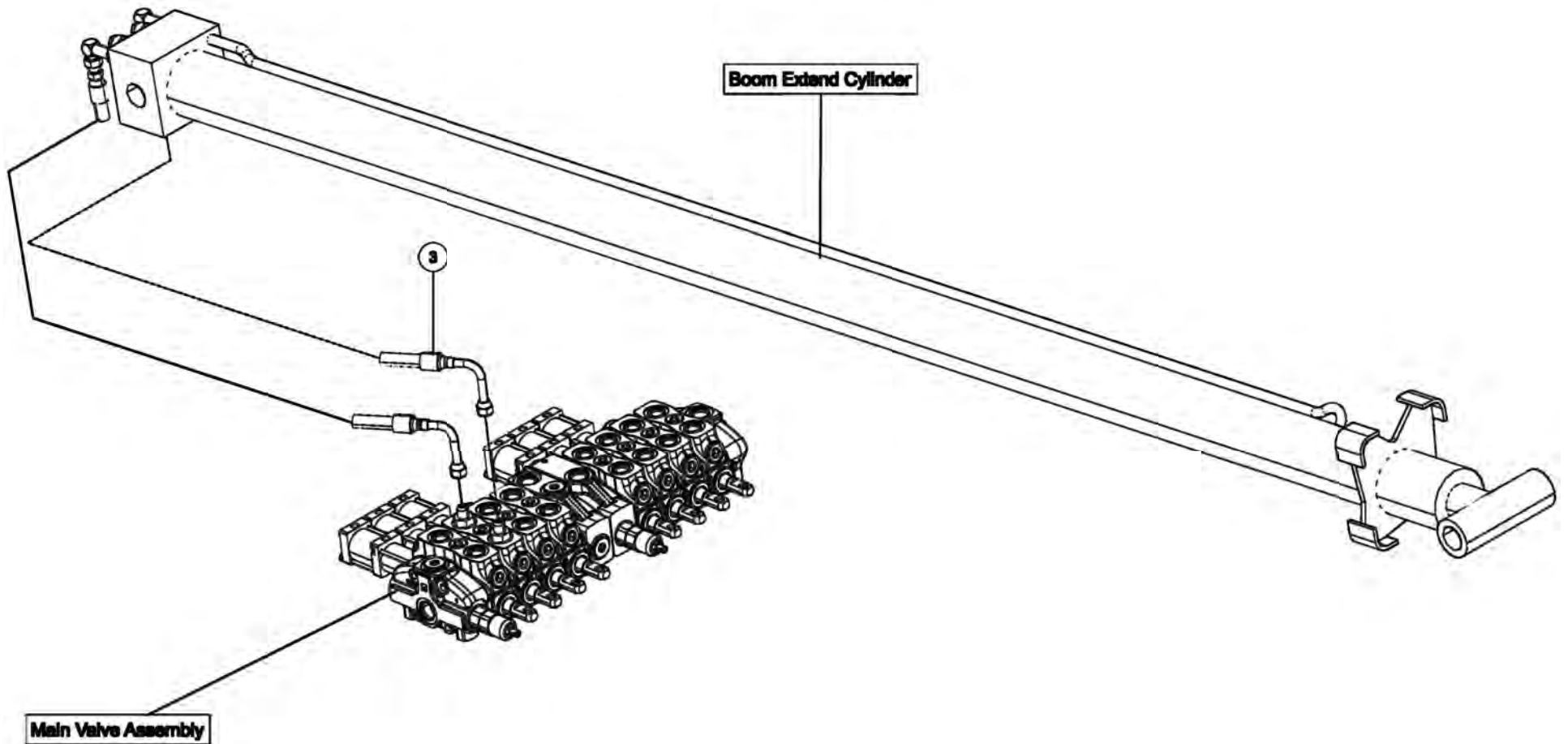
Section I - PARTS

0911728, 3212/V30 LONG TOWER CENTER SECTION (cont'd)

ITEM	PART NUMBER	DESCRIPTION	QTY
1	0301893	HOSE HYD, 84	4
2	0302604	HOSE HYD, 44"	4
3	0302605	HOSE HYD, 44"	2
4	0311772	HOSE-82" LONG 3/8"	2
5	0911729	3212/V30 LONG TWR SUBFR ASSY	1
6	0911730	3212/V30 LONG TWR BOOM ASSY	1
7	0911841	U/L BOOM ASSY - 3212/V30 GEN2	1

Section I - PARTS

0911728, 3212/V30 LONG TOWER CENTER SECTION (cont'd)



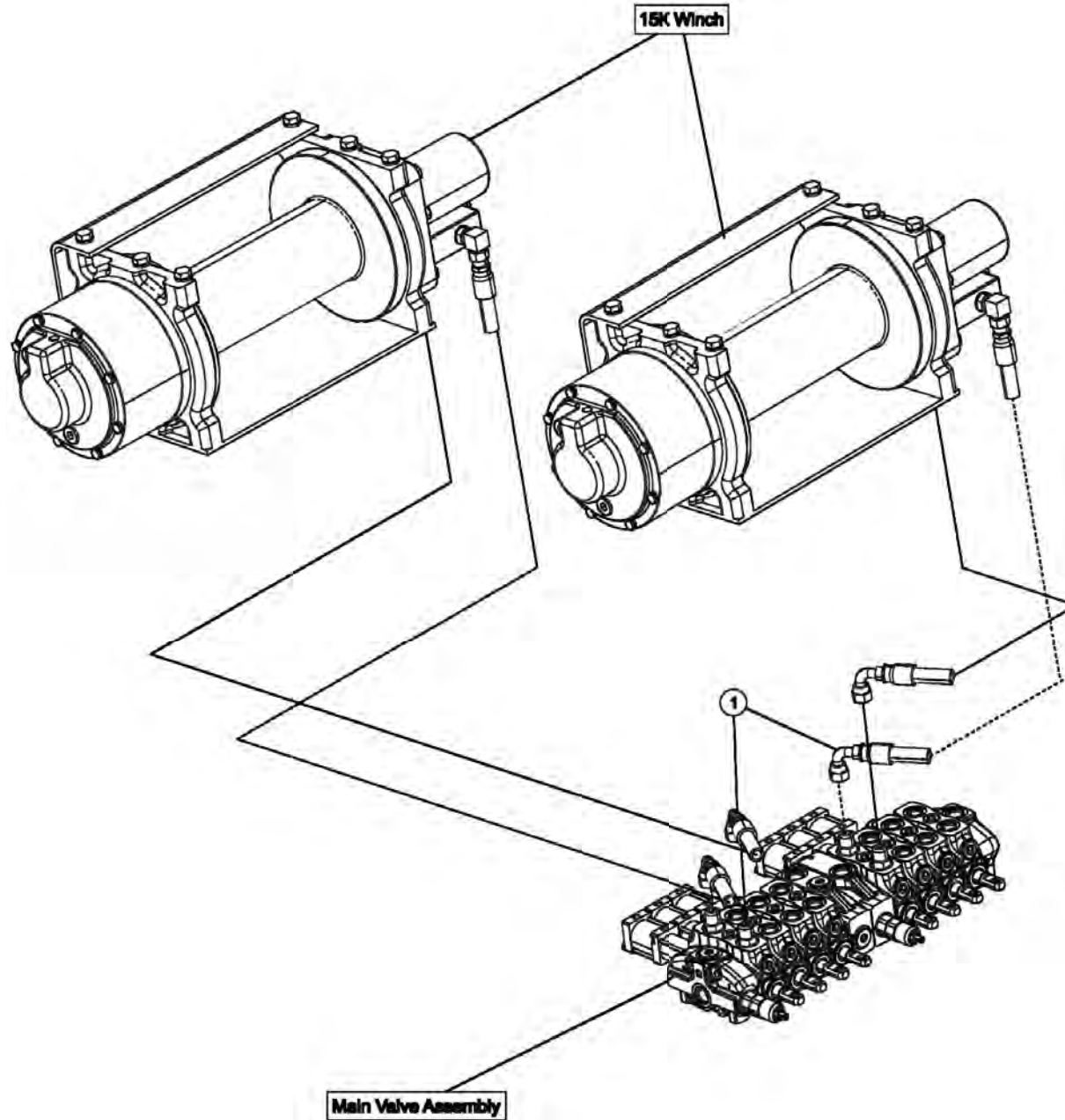
Section I - PARTS

0911728, 3212/V30 LONG TOWER CENTER SECTION (cont'd)

ITEM	PART NUMBER	DESCRIPTION	QTY
1	0301893	HOSE HYD, 84	4
2	0302604	HOSE HYD, 44"	4
3	0302605	HOSE HYD, 44"	2
4	0311772	HOSE-82" LONG 3/8"	2
5	0911729	3212/V30 LONG TWR SUBFR ASSY	1
6	0911730	3212/V30 LONG TWR BOOM ASSY	1
7	0911841	U/L BOOM ASSY - 3212/V30 GEN2	1

Section I - PARTS

0911728, 3212/V30 LONG TOWER CENTER SECTION (cont'd)



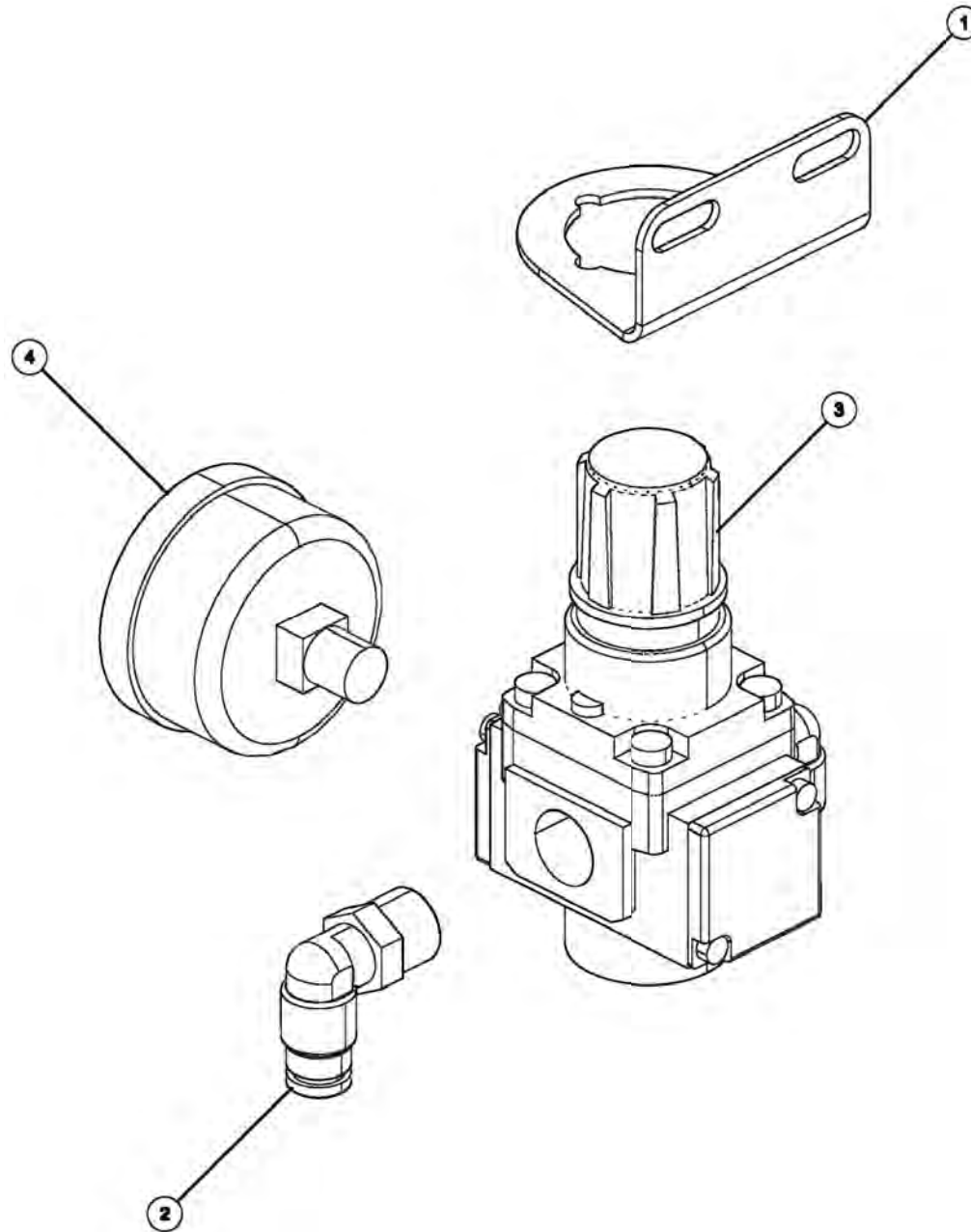
Section I - PARTS

0911728, 3212/V30 LONG TOWER CENTER SECTION (cont'd)

ITEM	PART NUMBER	DESCRIPTION	QTY
1	0301893	HOSE HYD, 84	4
2	0302604	HOSE HYD, 44"	4
3	0302605	HOSE HYD, 44"	2
4	0311772	HOSE-82" LONG 3/8"	2
5	0911729	3212/V30 LONG TWR SUBFR ASSY	1
6	0911730	3212/V30 LONG TWR BOOM ASSY	1
7	0911841	U/L BOOM ASSY - 3212/V30 GEN2	1

Section I - PARTS

0911804, AIR REGULATOR-GAUGE ASSEMBLY



Section I - PARTS

0911804, AIR REGULATOR-GAUGE ASSEMBLY (cont'd)

ITEM	PART NUMBER	DESCRIPTION	QTY
1	0303365	BRACKET, MOUNTING - AIR PREP	1
2	9010520	FITTING-ELBOW 1/4T-1/4NPT	2
3	HA0131	REGULATOR , AIR	1
4	HA0132	GAUGE 0-160 PSI	1



CENTURY®

Miller Industries Towing Equipment Inc.

8503 Hilltop Drive • Ooltewah, Tennessee 37363

(423) 238-4171 • www.millerind.com