

CENTURY®

L E G E N D A R Y L E A D E R S H I P



OWNER'S MANUAL **30 SERIES**

INSTALLATION, OPERATION, MAINTENANCE & PARTS

**NOTE: MANUAL including SPECIFICATIONS, subject to change without notice
All ratings specified are based on structural factors only,
not vehicle capacities or capabilities.**

CENTURY®

Miller Industries Towing Equipment Inc.
8503 Hilltop Drive
Ooltewah, Tennessee 37363

FORM NO. 0500822

PRICE \$25.00

Phone (423) 238-4171 • FAX (423) 238-5371

Section VI - PARTS

This Section is provided by the manufacturer for the purpose of ordering any component part of the **30 Series Car Carrier** that may be required when part replacement is necessary. Be certain to use only original equipment replacement parts for warranty purposes as well as for keeping your **30 Series Car Carrier** in its original state and optimum operating capacities.

When ordering replacement or spare parts be sure to provide the following information to your carrier manufacturer authorized representative.

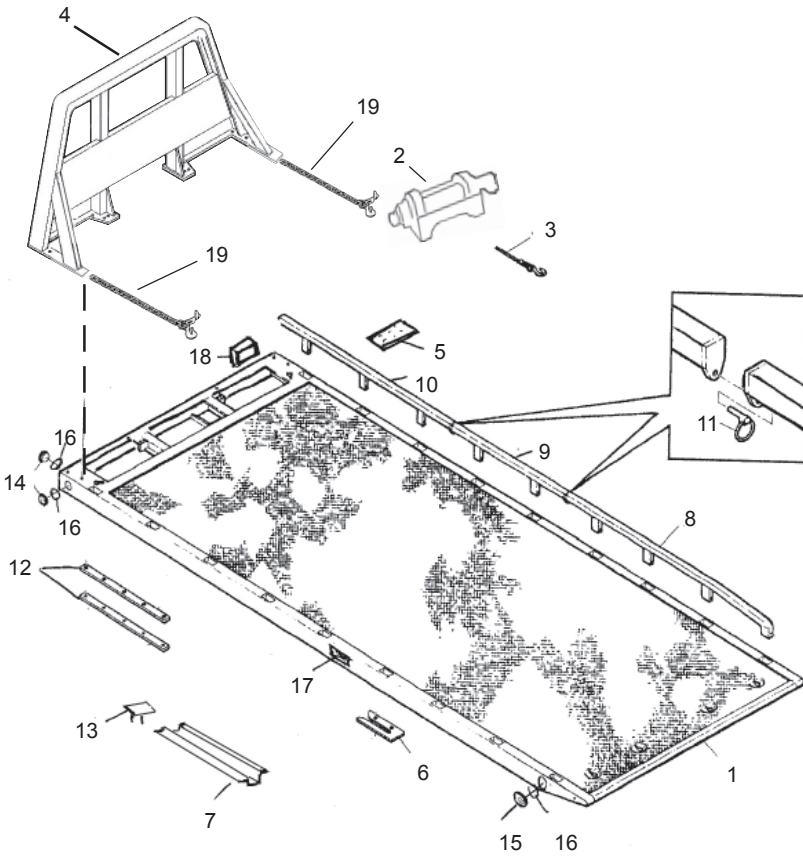
1. **Manual Number & Date of Publication**
2. **Manual Page Number**
3. **Page Title**
4. **Reference Number of Part Desired**
5. **Part Number**
6. **Part Description**
7. **Quantity of Part Desired**

Providing this information will help ensure that the correct parts will be delivered to you in an expedient manner without delay. Should additional information be required for repair or replacement of certain components, contact **Miller Industries, Hermitage, PA, Phone: 724-981-3328, FAX 724-981-5260.**

The Manufacturer reserves the right, without notice or obligation, to improve or modify their products, which may change the specifications, models and feature availability.

Section VI - PARTS (cont'd)

STEEL BED ASSEMBLY



Section VI - PARTS (cont'd)

STEEL BED ASSEMBLY

| REF. NO. | NO. REQ'D | PART NUMBER | DESCRIPTION |
|-------------|--------------|----------------|--|
| 1 | 1 | * | CARRIER BED WELDMENT (REM. RAIL) |
| 2 | 1 | 0306137 | WINCH - 10 TON PLANETARY |
| 3 | 1 | 0306034 | WINCH CABLE ASSEMBLY |
| 4 | 1 | * | CAB PROTECTOR WLDMT - SPECIFY CHASSIS |
| 5 | 1 | 0704772 | COVER PLATE |
| 6 | 1 | 0710916 | ANTI-TILT PLATE |
| 7 | 1 | * | HOSE TRAY |
| 8 | 2 | 0809393 | REAR REMOVABLE RAIL - STEEL |
| 9 | * | 0802661 | MID REMOVABLE RAIL - STEEL |
| 10 | 2 | * | FRONT REMOVABLE RAIL - STEEL |
| 11 | * | 0306070 | LYNCH PIN |
| 12 | 2 | 0302027 | BEARING PAD |
| 13 | 1 | 0720290 | HOSE CLAMP WELDMENT |
| 14 | 4 | 0311513 | LIGHT 2.5" AMBER REFLEX LED (MCL59AB) |
| 15 | 2 | 0311512 | LIGHT 2.5" RED REFLEX LED (MCL59RB) |
| 16 | 6 | 0311516 | LIGHT 2.5" GROMMET |
| 17 | 2 | 0308420 | MID BODY TURN LED |
| 18 | 1 | 0303385 | JUNCTION BOX |
| 19 | 2 | 0302493 | FRONT SAFETY CHAIN ASSEMBLY - 5/16" x 8' |

* CONTACT DISTRIBUTOR FOR ADDITIONAL INFORMATION

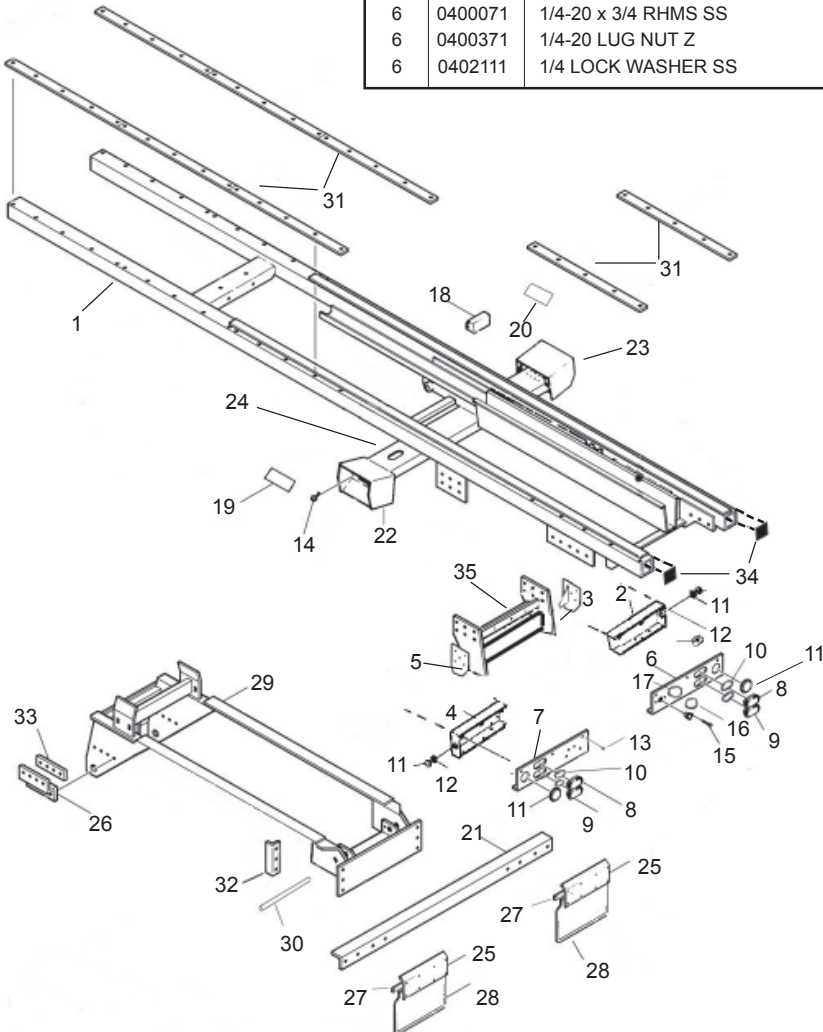
Section VI - PARTS (cont'd)

MOUNTING & TILT FRAME ASSEMBLY

| BEZEL TYPE | LH | RH |
|-----------------|---------|---------|
| HORIZONTAL S.S. | 0721760 | 0721761 |
| VERTICAL S.S. | 0721339 | 0721340 |
| HORIZONTAL BLK. | 0705253 | 0705254 |
| VERTICAL BLK. | 0720030 | 0720031 |

| TAIL LIGHT HOUSING FASTENER KIT (ONE SIDE) | | |
|--|-------------|----------------------------------|
| QTY | PART NUMBER | DESCRIPTION |
| 4 | 0403053 | 3/8-16 x 1-1/4 CARR. HD. BOLT SS |
| 4 | 0402122 | 3/8-16 HEX NUT SS |
| 4 | 0403053 | 3/8 LOCK WASHER SS |

| BEZEL FASTENER KIT (ONE SIDE) | | |
|-------------------------------|-------------|----------------------|
| QTY | PART NUMBER | DESCRIPTION |
| 6 | 0400071 | 1/4-20 x 3/4 RHMS SS |
| 6 | 0400371 | 1/4-20 LUG NUT Z |
| 6 | 0402111 | 1/4 LOCK WASHER SS |



Section VI - PARTS (cont'd)

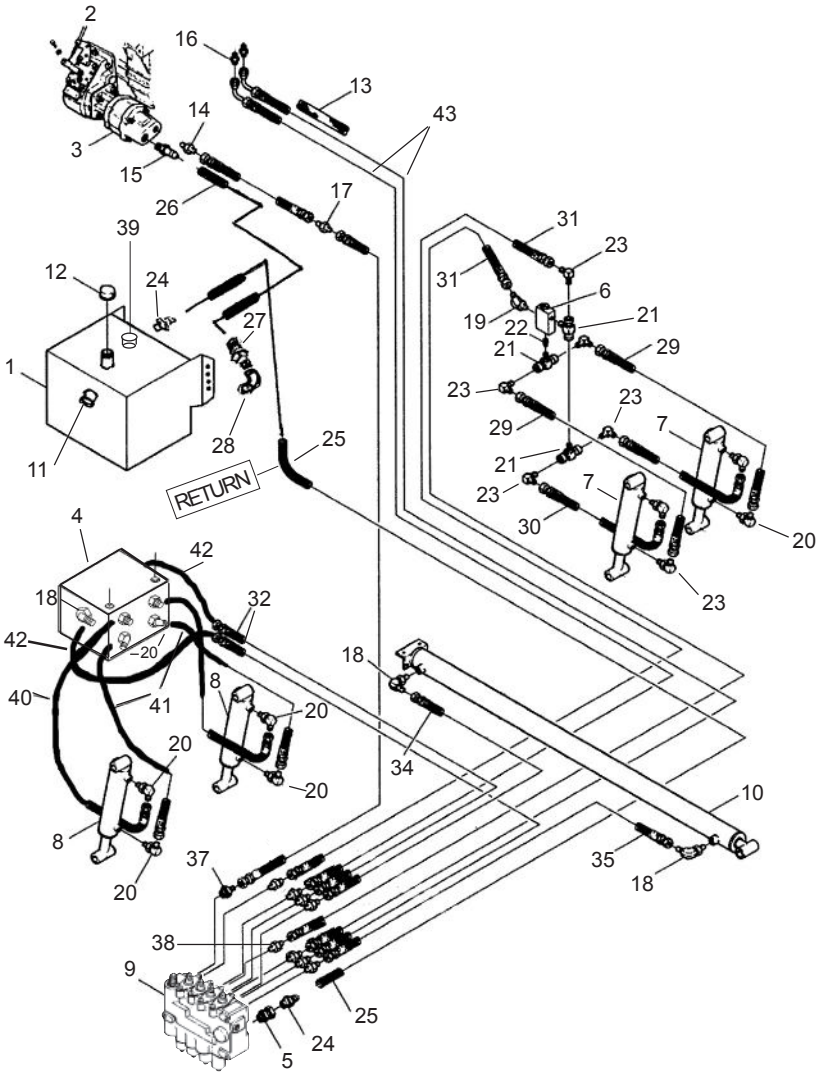
MOUNTING & TILT FRAME ASSEMBLY

| REF. NO. | NO. REQ'D | PART NUMBER | DESCRIPTION |
|-------------|--------------|----------------|---|
| 1 | 1 | * | TILT FRAME - W/L (TANDEM AXLE) 24' |
| | | 0805165 | TILT FRAME - W/L (TANDEM AXLE) 26' & UP |
| 2 | 1 | 0809092 | TAIL LIGHT HOUSING (RH) |
| 3 | 1 | 0710784 | TAIL LIGHT MTG. BKT. (RH) ALL SERIES |
| 4 | 1 | 0809093 | TAIL LIGHT HOUSING (LH) |
| 5 | 1 | 0710783 | TAIL LIGHT MTG. BKT. (LH) ALL SERIES |
| 6 | 1 | 0721761 | PLATE, LIGHT MOUNTING (RH) |
| 7 | 1 | 0721760 | PLATE, LIGHT MOUNTING (LH) |
| 8 | 2 | 0311498 | LIGHT 6" OVAL RED LED |
| 9 | 2 | 0311500 | LIGHT 6" OVAL REVERSE LED |
| 10 | 4 | 0311503 | LIGHT 6" OVAL GROMMET |
| 11 | 4 | 0311512 | LIGHT 2.5" RED REFLEX LED (MCL59RB) |
| 12 | 4 | 0311516 | LIGHT 2.5" GROMMET |
| 13 | 1 | 0308313 | LED LICENSE PLATE ILLUMINATOR |
| 14 | 2 | 0311527 | LIGHT CONTROL BOX W/BASE & WIRE |
| 15 | 1 | 0308210 | TOW LIGHT SOCKET |
| 16 | 1 | 0306385 | BACK UP ALARM |
| 17 | 1 | 0306386 | BACK UP ALARM GROMMET |
| 18 | 1 | 0303385 | JUNCTION BOX |
| 19 | 1 | 0500237 | CONTROL STA. DECAL, 4 SPOOL (LH) |
| 20 | 1 | 0500236 | CONTROL STA. DECAL, 4 SPOOL (RH) |
| 21 | 1 | 0710985 | MUD FLAP ANGLE |
| 22 | 1 | 0801557 | CONTROL BOX HOOD WLMT (LH) |
| 23 | 1 | 0801558 | CONTROL BOX HOOD WLMT (RH) |
| 24 | 1 | 0702526 | CONTROL BOX SUPP. CHANNEL (LONG) |
| | 1 | 0806224 | ITEMS #25, 26, 27 COMPLETE ASSY. |
| 25 | 2 | 0704326 | MUD FLAP MTG. BKT. |
| 26 | 2 | 0805188 | MOUNTING BRKT. WLMT. |
| 27 | 2 | 0750340 | BAR, MUD FLAP SUPPORT (S.S.) |
| 28 | 2 | * | MUD FLAP 24" x 24" |
| 29 | 1 | 0805171 | MOUNTING FRAME (TANDEM) |
| 30 | 1 | 0720257 | PIN, PIVOT (TANDEM AXLE) |
| 31 | * | 0306021 | BEARING PAD |
| 32 | 2 | 0704378 | MOUNTING ANGLE |
| 33 | 2 | 0704152 | SPACER, MOUNTING BRACKET |
| 34 | 2 | 0805266 | END CAP WELDMENT |
| 35 | 1 | 0802101 | STABILIZER WELDMENT |

* CONTACT DISTRIBUTOR FOR ADDITIONAL INFORMATION

Section VI - PARTS (cont'd)

HYDRAULICS



NOTE: SIZE OF COMPONENTS SHOWN ARE FOR ILLUSTRATION ONLY.

Section VI - PARTS (cont'd)

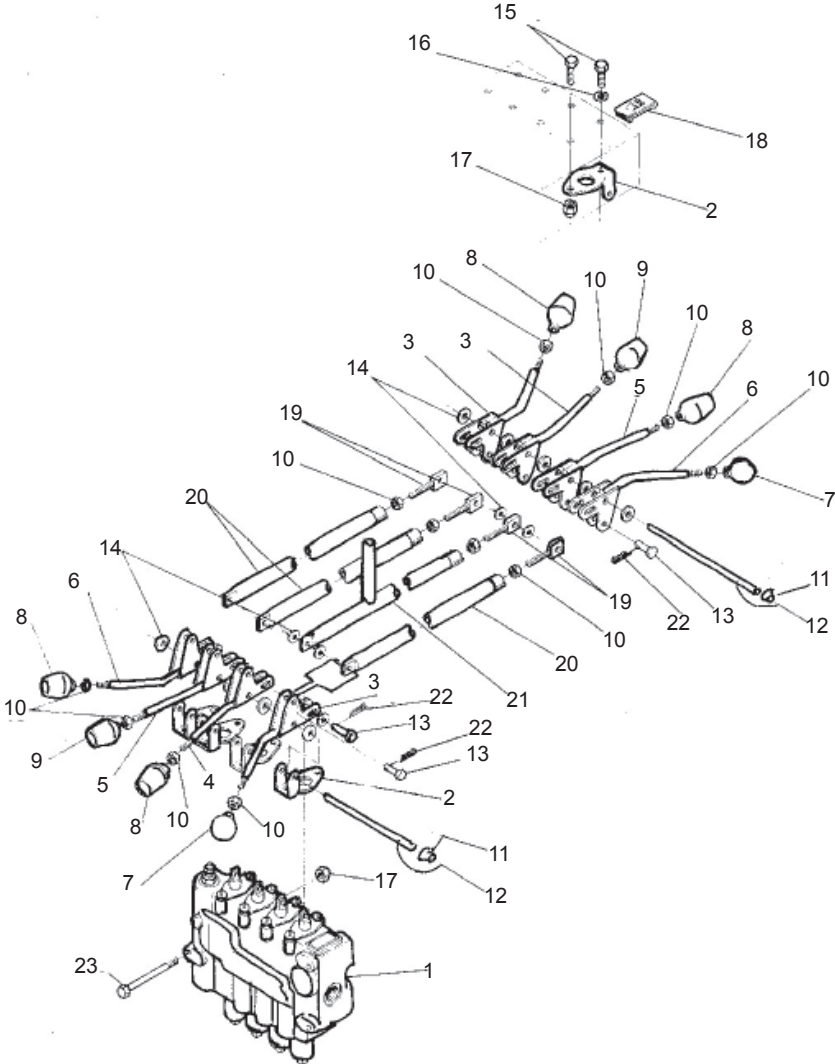
HYDRAULICS

| REF. NO. | NO. REQ'D | PART NUMBER | DESCRIPTION |
|-------------|--------------|----------------|--|
| 1 | 1 | 0805187 | OIL RESERVOIR (24' & UP) |
| 2 | 1 | * | PTO |
| 3 | 1 | 0306031 | PUMP (15 GPM) |
| 4 | 1 | 0306132 | BED TILT CYLINDER LOCK VALVE |
| 5 | 1 | 0308393 | HYD. FITTING 3/4" MORB x 3/4" FP |
| 6 | 1 | 0301731 | LOCK VALVE |
| 7 | 2 | 0302867 | CYLINDER, DOCK STABILIZER UP/DN |
| 8 | 2 | 0308520 | CYLINDER, BED TILT |
| 9 | 1 | 0300011 | VALVE BODY, 4 SPOOL |
| 10 | 1 | 0306016 | CYLINDER, BED EXTEND |
| 11 | 1 | 0306023 | SIGHT GLASS |
| 12 | 1 | 0702741 | CAP, OIL RESERVOIR |
| 13 | * | 0306338 | SKUFF JACKET |
| 14 | 1 | 0302757 | HYDRAULIC FITTING 8MJ-16MB |
| 15 | 1 | 0300492 | HYDRAULIC FITTING 1" HOSE BARB (MB) |
| 16 | 6 | 0300041 | HYDRAULIC FITTING 8MJ-8MB |
| 17 | 1 | 0300865 | HYDRAULIC FITTING 8MJ-8MJ |
| 18 | 4 | 0301388 | HYDRAULIC FITTING 8MJ-8MB 90 DEG. |
| 19 | 1 | 0301848 | HYDRAULIC FITTING 6MJ-6MP 45 DEG. |
| 20 | 10 | 0306143 | HYDRAULIC FITTING 6MJ-6MB 90 DEG. |
| 21 | 3 | 0301868 | HYDRAULIC FITTING 4FP-4FP-4MP BRANCH "T" |
| 22 | 1 | 0306117 | HEX BUSHING 3/8" x 1/4" (151157X) |
| 23 | 5 | 0300142 | HYDRAULIC FITTING 6MJ-4MP 90 DEG. |
| 24 | 2 | 0308296 | LOCK ON STEM, 3/4" MALE NPT |
| 25 | 1 | 0704366 | HOSE RETURN 3/4" x 20' LONG |
| 26 | 1 | 0306080 | HOSE SUCTION 1" x 11' LONG |
| 27 | 1 | 0300056 | HYDRAULIC FITTING 1" HOSE BARB (MP) |
| 28 | 1 | 0300692 | HYDRAULIC FITTING 1" 90 DEG. STREET ELL |
| 29 | 2 | 0306109 | HOSE 4M2T-6FJX-6FJX 1/4 x 21 |
| 30 | 2 | 0301660 | HOSE 4M3K 6FJX-6FJX 1/4 x 21 |
| 31 | 2 | 0301403 | HOSE 4M3K 6FJX-6FJX 1/4 x 80 |
| 32 | 2 | 0308497 | HOSE 8M3K 8FJX-8FJX 1/2 x 175 |
| 33 | 2 | 0301478 | HOSE 4M3K 6FJX-6FJX 1/4 x 60 |
| 34 | 1 | 0301658 | HOSE 8M3K 8FJX-8FJX 1/2 x 128 |
| 35 | 1 | 0306071 | HOSE 8M3K 8FJX-8FJX 1/2 x 58 |
| 36 | 1 | 0301662 | HOSE 6M3K 6FJX-6FJX 3/8 x 120 |
| 37 | 2 | 0300789 | HYDRAULIC FITTING 8MJ-10MB |
| 38 | 1 | 0300044 | HYDRAULIC FITTING 6MJ-8MB |
| 39 | 1 | 9018399 | IMMERSION FILTER ASSY |
| | 1 | 9018309 | IMMERSION FILTER ELEMENT |
| 40 | 2 | 0302035 | HOSE 6M3K 6FJX-6FJX 3/8 x 18 |
| 41 | 2 | 0302249 | HOSE 6M3K 6FJX-6FJX 3/8 x 46 |
| 42 | 2 | 0301424 | HYDRAULIC FITTING 6MJ-4MP |
| 43 | 2 | * | WINCH HOSES |

* CONTACT DISTRIBUTOR FOR ADDITIONAL INFORMATION

Section VI - PARTS (cont'd)

CONTROL & CROSSROD ASSEMBLY



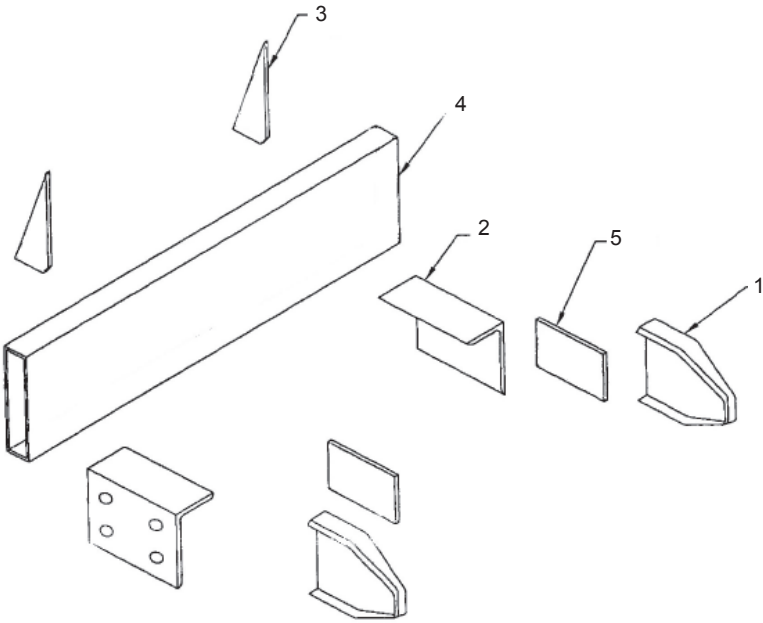
Section VI - PARTS (cont'd)

CONTROL & CROSSROD ASSEMBLY

| REF. NO. | NO. REQ'D | PART NUMBER | DESCRIPTION |
|-------------|--------------|----------------|---|
| 1 | 1 | 0300011 | 4-SPOOL CONTROL VALVE |
| 2 | 8 | 0301638 | BRACKET, CONTROL HANDLE |
| 3 | 2 | 0809138 | REAR OUTER CONTROL HANDLE |
| 4 | 2 | 0809137 | REAR INNER CONTROL HANDLE |
| 5 | 2 | 0809135 | FWD. INNER CONTROL HANDLE |
| 6 | 2 | 0809136 | FWD. OUTER CONTROL HANDLE |
| 7 | 2 | 0311702 | CONTROL KNOB - GRAY W/L EXT/UP-DOWN |
| 8 | 4 | 0311699 | CONTROL KNOB - BLUE SB/B-TILT, SP |
| 9 | 2 | 0311700 | CONTROL KNOB - RED PRIMARY WINCH |
| 10 | 12 | 0400393 | NUT, 3/8" - 16 JAM |
| 11 | 4 | 0306122 | END CAP, CONTROL HANDLE ROD |
| 12 | 2 | 0702983 | CONTROL HANDLE ROD, 5/16" DIA. x 6-1/8" LG. |
| 13 | 12 | 0400532 | CLEVIS PIN, 5/16" DIA. x 1" LG. |
| 14 | 25 | 0400465 | WASHER, 5/16" FLAT |
| 15 | 8 | 0400126 | SCREW, 3/8" - 16 x 1" HEX HEAD |
| 16 | 4 | 0400482 | LOCKWASHER, 3/8" HELICAL |
| 17 | 7 | 0400392 | NUT, 3/8" - 16 NYLON LOCK |
| 18 | 4 | 0400243 | NUT, 3/8" - 16 TINNEMAN "J" |
| 19 | 4 | 0800800 | CONTROL ROD LINK |
| 20 | 3 | 0806111 | VALVE SHIFTER |
| 21 | 1 | 0806112 | VALVE SHIFTER, ANTI TILT |
| 22 | 12 | 0400543 | COTTER PIN, 1/8" x 3/4" LG. |
| 23 | 3 | 0400140 | SCREW, 3/8" - 16 x 4 LG. HEX HD. |

Section VI - PARTS (cont'd)

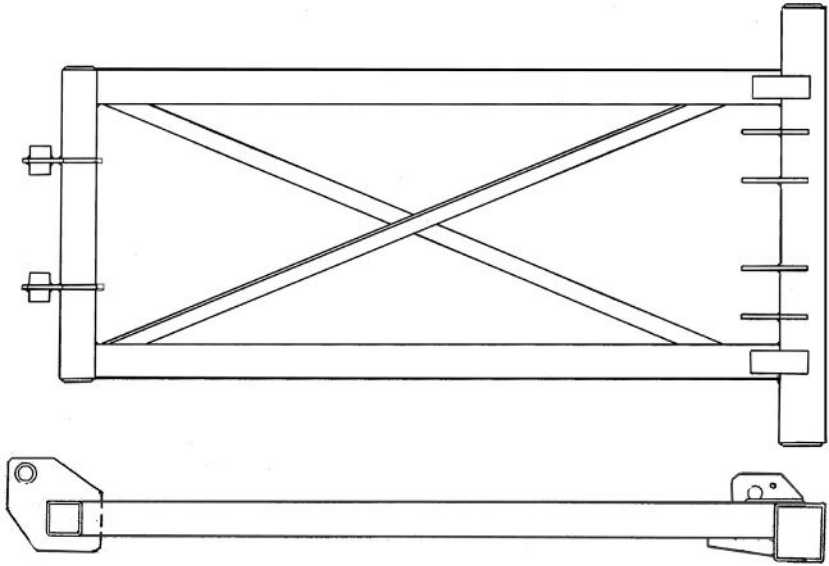
BED LOCK ASSEMBLY



| REF. NO. | NO. REQ'D | PART NUMBER | DESCRIPTION |
|----------|-----------|----------------|--------------------------|
| 1 | 2 | 0805164 | BULLET WELDMENT |
| 2 | 2 | 0710990 | MOUNTING ANGLE |
| 3 | 2 | 0710991 | BODY LOCK GUSSET |
| 4 | 1 | 0710992 | BODY LOCK BASE TUBE |
| 5 | 2 | 0720288 | STIFFENER PLATE |
| 6 | 1 | 0805192 | BED LOCK ASSEMBLY |

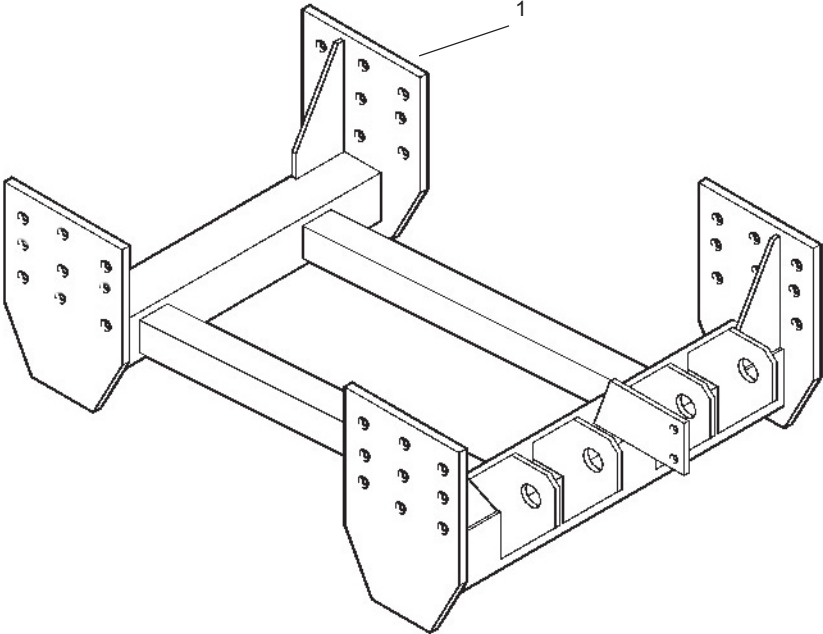
Section VI - PARTS (cont'd)

DOCK STABILIZER ASSEMBLY



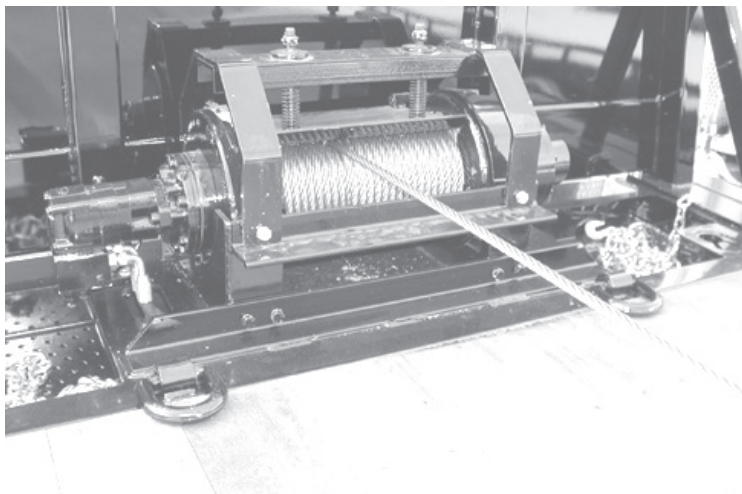
| REF. NO. | PART NUMBER | DESCRIPTION |
|----------|-------------|-----------------------------------|
| 1 | 0805191 | DOCK STABILIZER WELDMENT (20/30S) |

Section VI - PARTS (cont'd)
DOCK STABILIZER
MOUNTING BRACKET



| REF. NO. | NO. REQ'D | PART NUMBER | DESCRIPTION |
|----------|-----------|-------------|------------------|
| 1 | 1 | 0801861 | MOUNTING BRACKET |

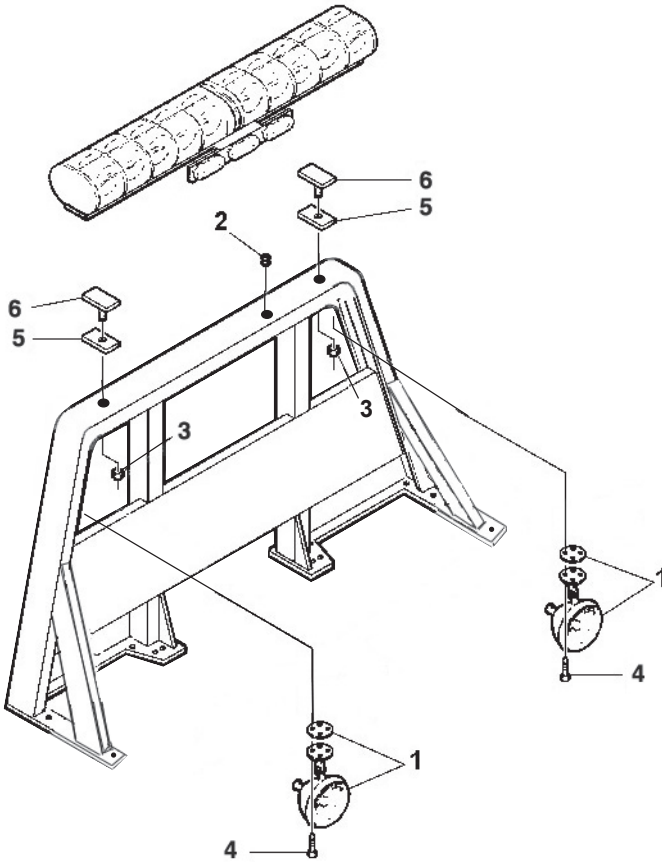
Section VI - PARTS (cont'd)
HYDRAULIC WINCH
20,000 LB. PLANETARY



| REF. NO. | PART NUMBER | DESCRIPTION |
|-------------|----------------|----------------------------|
| 1 | 0306137 | 20,000 LB. PLANETARY WINCH |

Section VI - PARTS (cont'd)

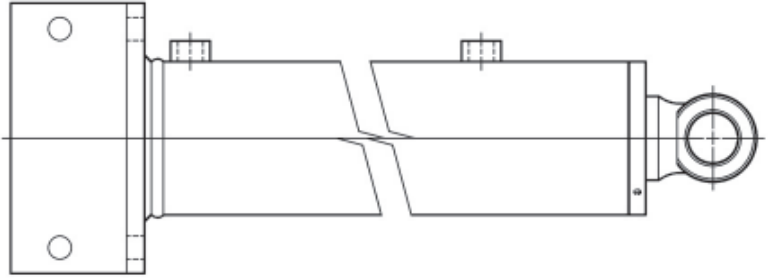
OPTIONAL LIGHTING ACCESSORIES



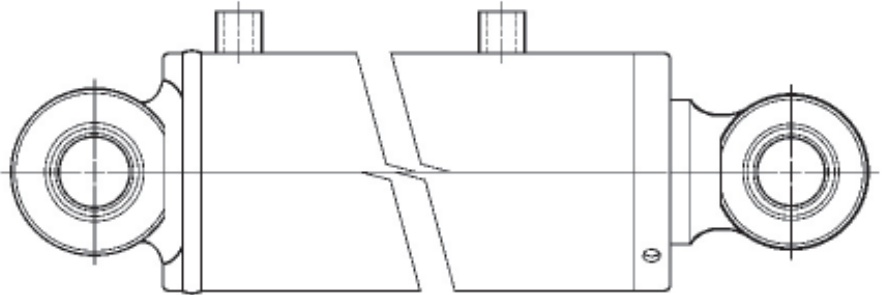
| REF. NO. | NO. REQ'D | PART NUMBER | DESCRIPTION |
|----------|-----------|-------------|---------------------------|
| 1 | 2 | 124001001 | SPOT LIGHT W/GASKET |
| 2 | 2 | 0300897 | GROMMET, RUBBER |
| 3 | 2 | 0400392 | NUT, 3/8"-16 NYLOK |
| 4 | 8 | 0400043 | #10-24 X 1" MACHINE SCREW |
| 5 | 2 | 0709872 | RUBBER CUSHION |
| 6 | 2 | 0800539 | "T" BOLT ADAPTER |

Section VI - PARTS (cont'd)

HYDRAULIC CYLINDERS



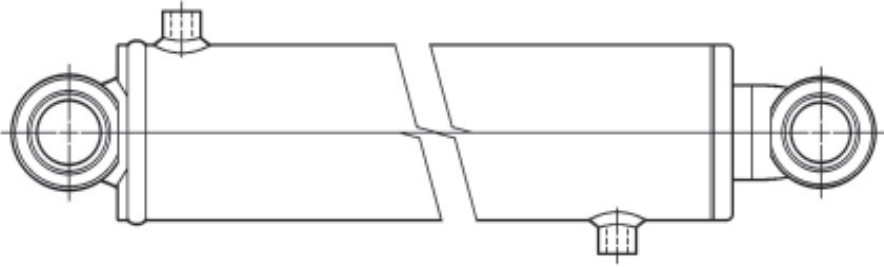
| REF. NO. | NO. REQ'D | PART NUMBER | DESCRIPTION |
|----------|-----------|-------------|-------------------------------|
| 1 | 1 | 0306016 | CYLINDER, BED EXTEND |
| 2 | 1 | 0308391 | SEAL KIT, BED EXTEND CYLINDER |



| REF. NO. | NO. REQ'D | PART NUMBER | DESCRIPTION |
|----------|-----------|-------------|-------------------------------------|
| 1 | 2 | 0308520 | CYLINDER, BED TILT - 24' AND LONGER |
| 2 | 1 | 0308391 | SEAL KIT, BED TILT CYLINDER |

Section VI - PARTS (cont'd)

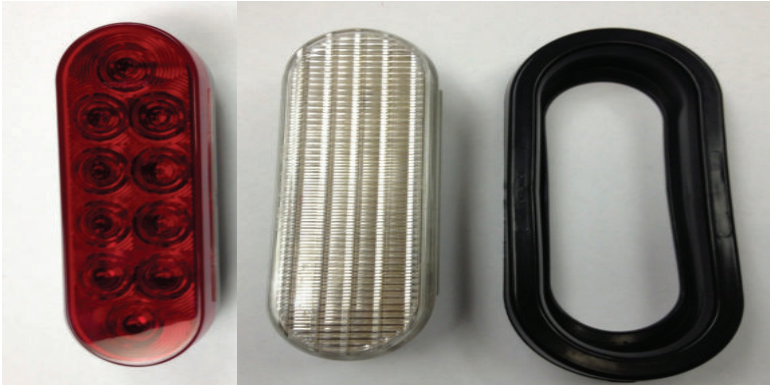
HYDRAULIC CYLINDERS



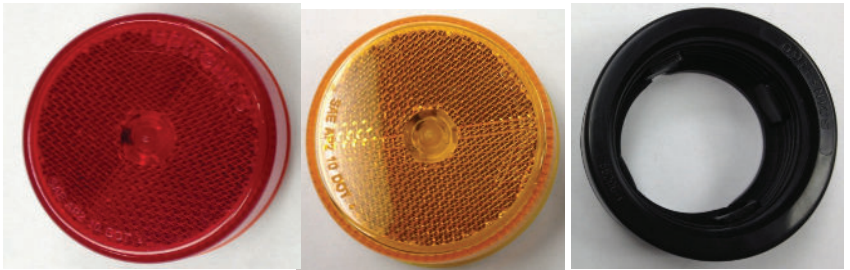
| REF. NO. | NO. REQ'D | PART NUMBER | DESCRIPTION |
|----------|-----------|-------------|---------------------------|
| 1 | 2 | 0302867 | CYLINDER, DOCK STABILIZER |
| 2 | 1 | 0308385 | SEAL KIT |

Section VI - PARTS

LIGHT KIT



| REF. NO. | PART NUMBER | DESCRIPTION |
|----------|-------------|-----------------------------------|
| 1 | 0311498 | LIGHT 6" OVAL RED LED - STOP/TURN |
| 2 | 0311500 | LIGHT 6" OVAL REVERSE LED |
| 3 | 3011503 | LIGHT 6" GROMMET |



| REF. NO. | PART NUMBER | DESCRIPTION |
|----------|-------------|---------------------------------------|
| 1 | 0311512 | LIGHT 2.5" RED REFLEX LED (MCL59RB) |
| 2 | 0311513 | LIGHT 2.5" AMBER REFLEX LED (MCL59AB) |
| 3 | 0311516 | LIGHT 2.5" GROMMET |

Section VI - PARTS

LIGHT KIT



| REF. NO. | PART NUMBER | DESCRIPTION |
|----------|-------------|-----------------------------|
| 1 | 0308359 | MARKER LIGHT RED REFLEX LED |



| REF. NO. | PART NUMBER | DESCRIPTION |
|----------|-------------|-------------------------------|
| 1 | 0308360 | MARKER LIGHT AMBER REFLEX LED |

Section VI - PARTS

LIGHT KIT



| REF. NO. | PART NUMBER | DESCRIPTION |
|----------|-------------|-----------------------------|
| 1 | 0308969R | MARKER LIGHT RED REFLEX LED |



| REF. NO. | PART NUMBER | DESCRIPTION |
|----------|-------------|-------------------------------|
| 1 | 0308969A | MARKER LIGHT AMBER REFLEX LED |

Section VI - PARTS

LIGHT KIT



| REF. NO. | PART NUMBER | DESCRIPTION |
|----------|-------------|---------------------------------------|
| 1 | 0311527 | RECTANGULAR LED CONTROL STATION LIGHT |



| REF. NO. | PART NUMBER | DESCRIPTION |
|----------|-------------|----------------------------|
| 1 | 0308420 | OVAL MID BODY TURN LED |
| 1 | 0311513 | OVAL MID BODY TURN GROMMET |

Section VI - PARTS

LIGHT KIT



| REF. NO. | PART NUMBER | DESCRIPTION |
|----------|--------------|------------------------------------|
| 1 | 074027041ACL | MILLENIUM MARKER LIGHT CLEAR/AMBER |



| REF. NO. | PART NUMBER | DESCRIPTION |
|----------|--------------|----------------------------------|
| 1 | 174027041RCL | MELLIENUM MARKER LIGHT CLEAR/RED |

Section VI - PARTS

LIGHT KIT



| REF. NO. | PART NUMBER | DESCRIPTION |
|----------|-------------|-------------------|
| 1 | 0308491 | REFLECTOR - AMBER |



| REF. NO. | PART NUMBER | DESCRIPTION |
|----------|-------------|-----------------|
| 1 | 0308490 | REFLECTOR - RED |

Section VI - PARTS

LIGHT KIT



| REF. NO. | PART NUMBER | DESCRIPTION |
|----------|-------------|-----------------------|
| 1 | 0311519 | RED 3/4 LED ICC LIGHT |

Section VI - PARTS (cont'd)

OPTIONAL DASHBOARD PANEL

