

CENTURY[®]

LEGENDARY LEADERSHIP



OWNER'S MANUAL

SERIES 30 LCG

GENERATION II

DUAL REAR WHEEL

LONG CB

NOTE: MANUAL including SPECIFICATIONS, subject to change without notice
All ratings specified are based on structural factors only,
not vehicle capacities or capabilities.

CENTURY[®]

Miller Industries PA Operations
Hermitage, PA 16148
Phone (724) 981-3328

FORM NO. 0540015LCB
REV. 10/2021
PRICE \$25.00

Section VI - PARTS

This Section is provided by the manufacturer for the purpose of ordering any component part of the Industrial LCG Series Carrier that may be required when part replacement is necessary. Be certain to use only original equipment replacement parts for warranty purposes as well as for keeping your Industrial LCG Series Carrier in its original state and optimum operating capacities.

When ordering replacement or spare parts be sure to provide the following information to your carrier manufacturer authorized representative.

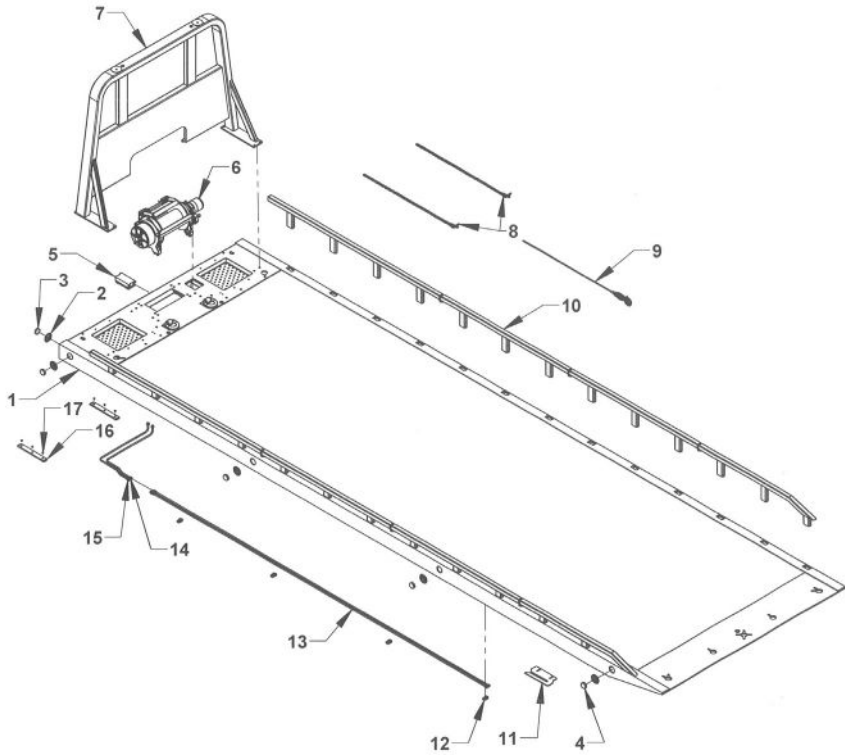
1. **Manual Number & Date of Publication**
2. **Manual Page Number**
3. **Page Title**
4. **Reference Number of Part Desired**
5. **Part Number**
6. **Part Description**
7. **Quantity of Part Desired**

Providing this information will help ensure that the correct parts will be delivered to you in an expedient manner without delay. Should additional information be required for repair or replacement of certain components, contact **Miller Industries, Hermitage, PA, Phone: 724-981-3328**.

The Manufacturer reserves the right, without notice or obligation, to improve or modify their products, which may change the specifications, models and feature availability.

Section VI - PARTS

STEEL BED ASSEMBLY GEN2 SERIES 30 LCG DRW LONG CB



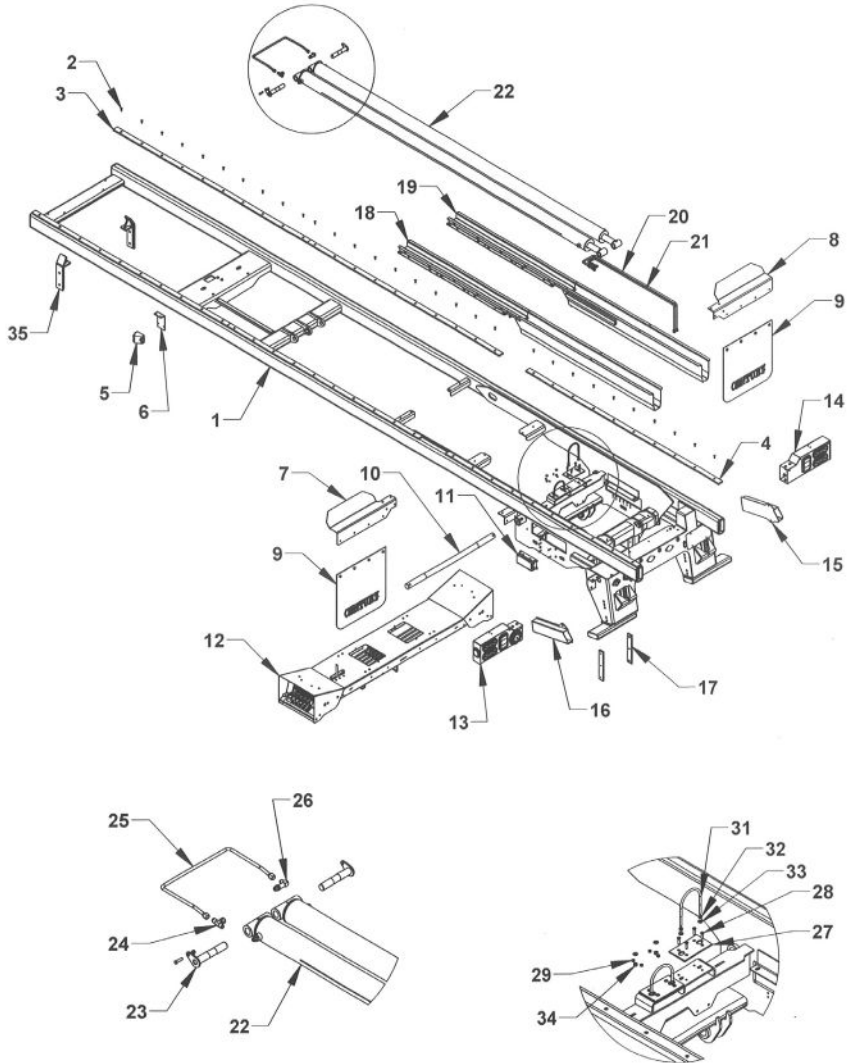
Section VI - PARTS

**STEEL BED ASSEMBLY GEN2 LCG
REMOVABLE RAIL**

REF. NO.	QPU	PART NUMBER	DESCRIPTION
1	1	3028430LTXXX	SERIES 30 LCG G2 DRW LONG CB STBED XXX = 240, 250, 260, 270, 280, 290, 300
2	10	0311516	2-1/2" MARKER LIGHT GROMMET
3	8	0311513	2-1/2" AMBER MARKER LIGHT
4	2	0311512	2-1/2" RED MARKER LIGHT
5	1	0303385	10 POST JUNCTION BOX
6	1	7112014	WARN WINCH 20000 LBS.
7	1	35FL0XX	CAB PROTECTOR XXX = 48, 50, 52, 54, 57, 60, 62, 64, 68
8	2	0302493	FRONT SAFETY CHAIN ASSEMBLY - 5/16 x 8'
9	1	0306034	WINCH CABLE ASSEMBLY 9/16"x 100"
10	1	09009171-XXX	REMOVABLE TUBE RAIL (SEE CHART)
11	1	33813	ANTI-TILT PLATE
12	4	0751188	FLUID TUBE MOUNTING BLOCK - LOWER
13	2	383S2-XXX	SERIES 20/30/40 UNDER BODY FLUID TUBE XXX = 240, 250, 260, 270, 280, 290, 300
14	1	343046	WINCH MOTOR FLUID TUBE WARN 20XL - SHORT
15	1	343050	WINCH MOTOR FLUID TUBE WARN 20XL - LONG
16	2	03014067	I-BEAM WEAR PAD
17	6	04000844	FHSCS 5/16-18 x 5/8 ZP

Section VI - PARTS

30 LCG SUBFRAME GROUP DUAL REAR WHEELS & LONG CB



Section VI - PARTS

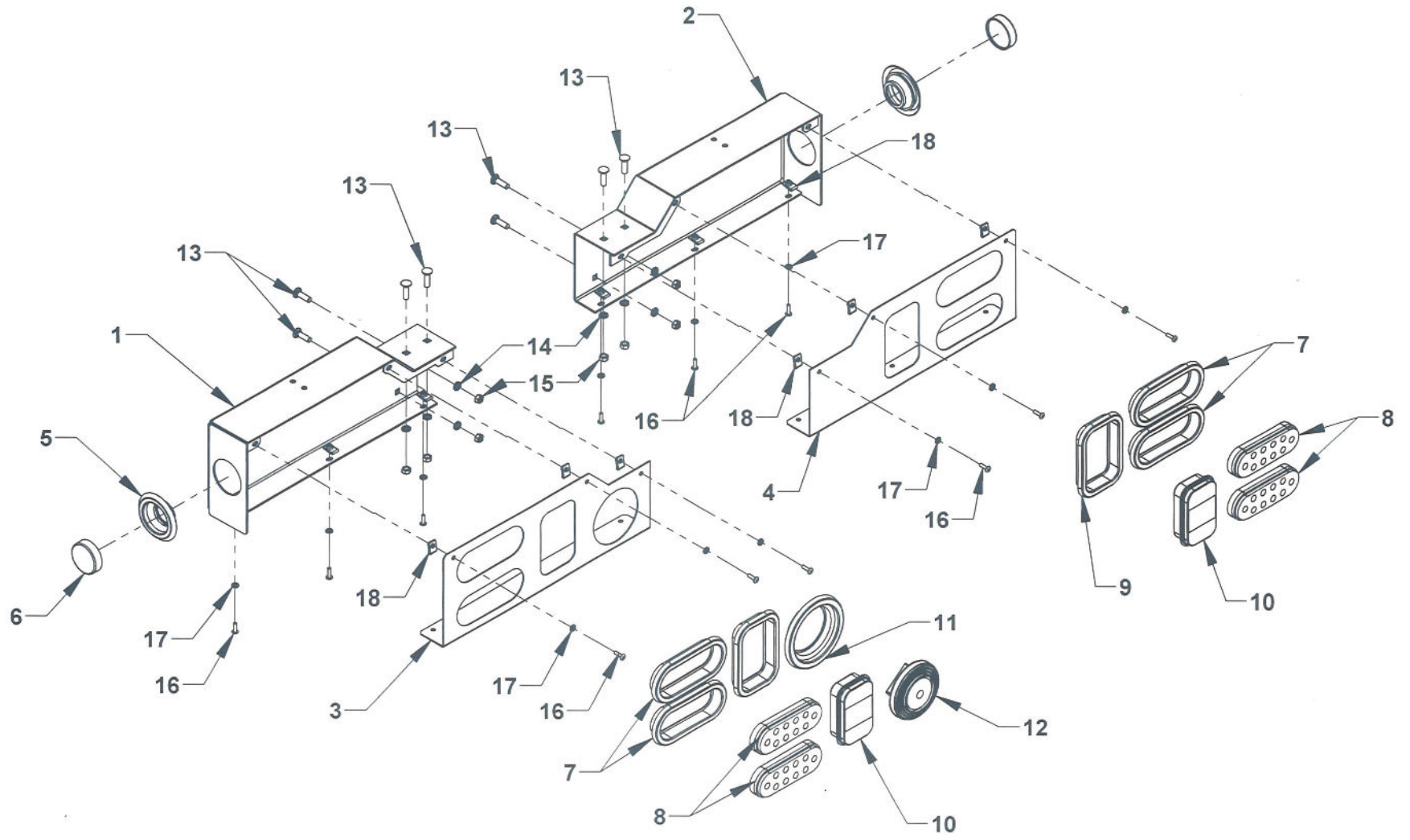
**30 LCG GEN2 SUBFRAME GROUP
DUAL REAR WHEELS & LONG CB**

REF NO.	QTY	PART NO.	DESCRIPTION
1	1	08013648-XX	S30 LCG GEN2 DRW SUBFRAME - LONG CB
2	60	81124	BOLT, 5/16-18 x 1 UNC - ALLEN COUNTERSUNK
3	4	33308R2	S30 SUBFRAME WEAR STRIP 1/2 x 2 x 96 BLACK
4	2	33308N2	S30 SUBFRAME WEAR STRIP 1/2 x 2 x 96 GRAY
5	2	74345	DUAL COUNTERBALANCE VALVE
6	1	13063-30	COUNTERBALANCE VALVE MTG PLATE - 30 LCG DRW
7	1	0751024-29L	MUDFLAP SPLASH GUARD - LEFT
8	1	0751024-29R	MUDFLAP SPLASH GUARD - RIGHT
9	2	0308419	CENTURY MUDFLAP
10	1	0751264	20 LCG SUBFRAME HINGE PIN 1.975 x 43.375
11	1	0303385	JUNCTION BOX
12	1	183126	6 SPOOL CONTROL STATION
13	1	0940328L	CENTURY LCG GEN 2 TAIL LIGHT HOUSING GROUP - L
14	1	0940328R	CENTURY LCG GEN 2 TAIL LIGHT HOUSING GROUP - R
15	1	1605610R	L-ARM STORAGE TUBE 6000# - RIGHT
16	1	1605610L	L-ARM STORAGE TUBE 6000# - LEFT
17	2	163144	STABILIZER WHEEL LIFT GUIDE PAD
18	1	0809659TL-132	HOSE TRAY WELDMENT - 132" SLIDEBACK - LH
19	1	0809659TR-132	HOSE TRAY WELDMENT - 132" SLIDEBACK - RH
20	2	0752016R	S30 LCG TRIDEM HOSE TRAY FLUID TUBE - OUTER RH
21	1	0752015R	S30 LCG TRIDEM HOSE TRAY FLUID TUBE - INNER RH
22	1	72A40132	SLIDEBACK CYLINDER - 4.0 BORE x 132 STROKE
23	2	1302720A	20 LCG SLIDEBACK CYLINDER PIN WELDMENT
24	1	ADAPTER	ADAPTER 203101 - 08 x 08
25	1	72H30FT	30 LCG S/B CYLINDER FLUID PIPE ASSEMBLY
26	1	ADAPTER	ADAPTER 206 209 - 08 x 08
27	2	0751223	LCG 12/16/20 S/B CYLINDER SUPPORT PAD
28	8	0400086	BOLT 1/4-20 UNC x 1-1/4 ALLEN COUNTERSUNK
29	8	0400367	NYLON LOCK NUT 1/4-20 UNC - ZP
30	8	0400451	FLAT WASHER 1/4
31	2	81287	U-BOLT 3/8-16 UNC - 4.562 x 6
32	4	0400393	JAM NUT 3/8-16 UNC
33	8	0400480	FLAT WASHER 3/8
34	4	0400392	NYLON LOCK NUT 3/8-16 UNC
35	2	0809975	SUBFRAME ALIGNMENT GUIDE

NOTE:

To order a replacement subframe, provide the carrier serial number. Series 30 subframes are built to order to fit specific chassis cab-to-bogie, crossmember, and suspension geometry to avoid chassis modifications. Serial number look-up provides the subframe construction geometry regarding the hinge and cylinder box locations.

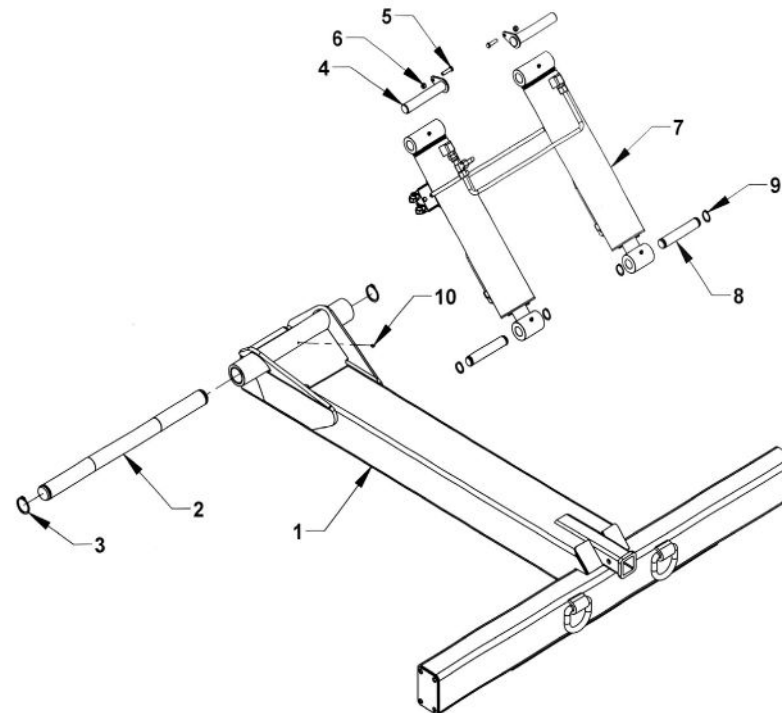
Section VI - PARTS
INDUSTRIAL LCG TAIL LIGHT COMPONENTS



Section VI - PARTS
TAIL LIGHT COMPONENTS

REF	PART #	DESCRIPTION	QPU
1	0809470L	TAIL LIGHT HOUSING WELDMENT (LH)	1
2	0809470R	TAIL LIGHT HOUSING WELDMENT (RH)	1
3	0752001L	TAIL LIGHT BEZEL (LH)	1
4	0752001R	TAIL LIGHT BEZEL (RH)	1
5	0311516	2-1/2" MARKER LIGHT GROMMET	2
6	0311512	2-1/2" MARKER LIGHT	2
7	0311503	6" OVAL GROMMET	4
8	0311498	6" OVAL RED LIGHT	4
9	0311511	6" RECTANGLE GROMMET	2
10	0311510	6" RECTANGLE BACK-UP LIGHT	2
11	0311528	BACK-UP ALARM GROMMET	1
12	0306385	BACK-UP ALARM	1
13	0403053	3/8-16 UNC x 1-1/4 CARR. BOLT SS	8
14	0402121	3/8 SAE LOCK WASHER SS	8
15	0402122	3/8-16 HEX NUT SS	8
16	0400071	SCREW 1/4-20 UNC x 3/4 RD HE PHL SS	12
17	0402111	1/4 SAE LOCK WASHER SS	12
18	0400371	"U" NUT 1/4-20 UNC	12

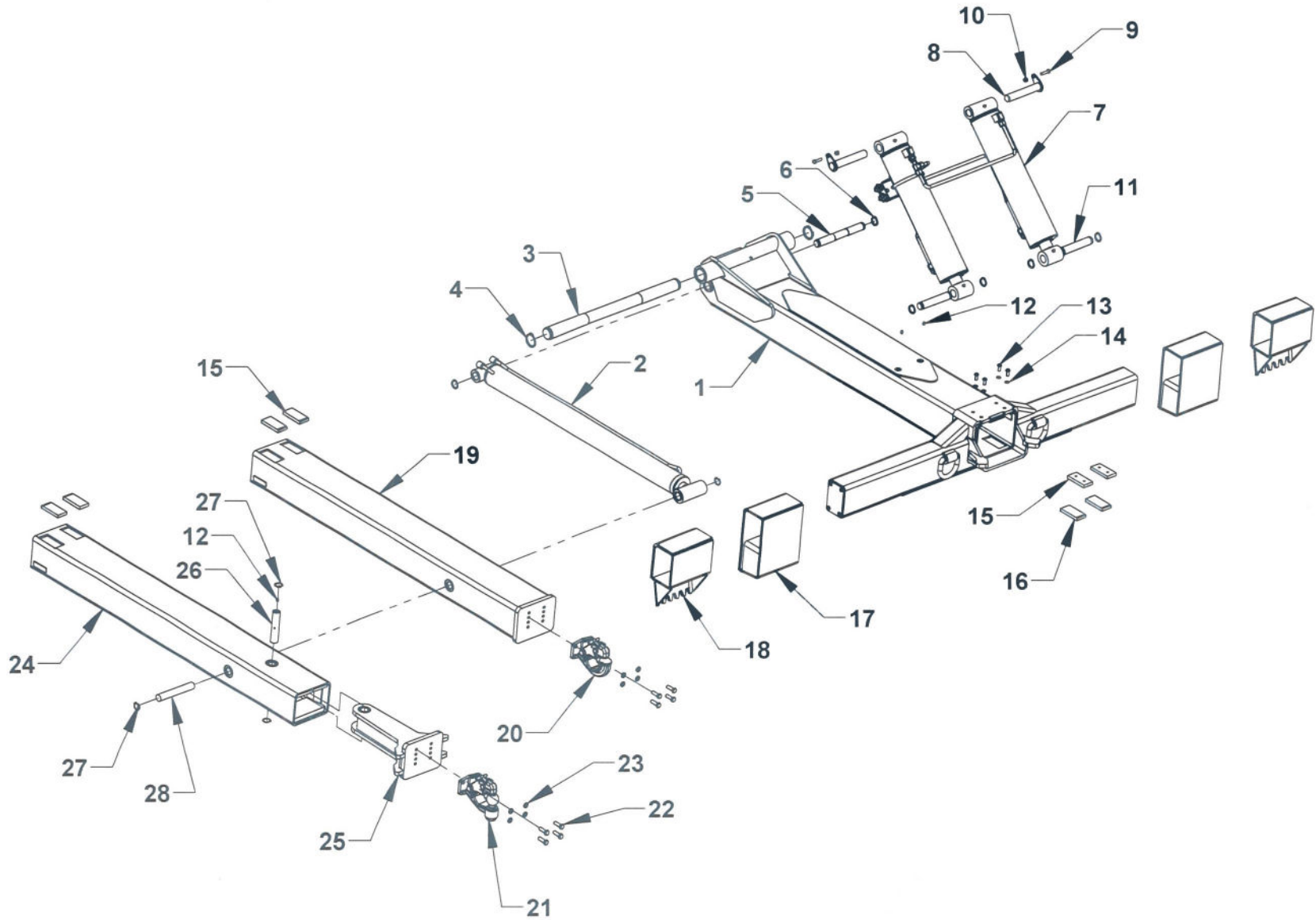
Section VI - PARTS
DOCK STABILIZER



REF	PART #	DESCRIPTION	QPU
1	08013530	DOCK STABILIZER WELDMENT	1
2	143122	UNDERLIFT HINGE PIN	1
3	86200E	SNAP-RING EXTERNAL	1
4	08013617	KEEPER PIN 1.230 x 7.125	2
5	0400132	BOLT 3/8-16 UNC X 1-1/2	2
6	0400392	NUT 3/8-16 ZP UNC NYLON LOCK	2
7	72A450165G	UNDERLIFT CYLINDER FLUID TUBE GROUP	1
8	163622	KEEPER PIN 1.23 x 6.75	2
9	86125E	SNAP RING 1-1/4 EXTERNAL	4
10	78130	GREASE FITTING 1/4-28	1

Section VI - PARTS

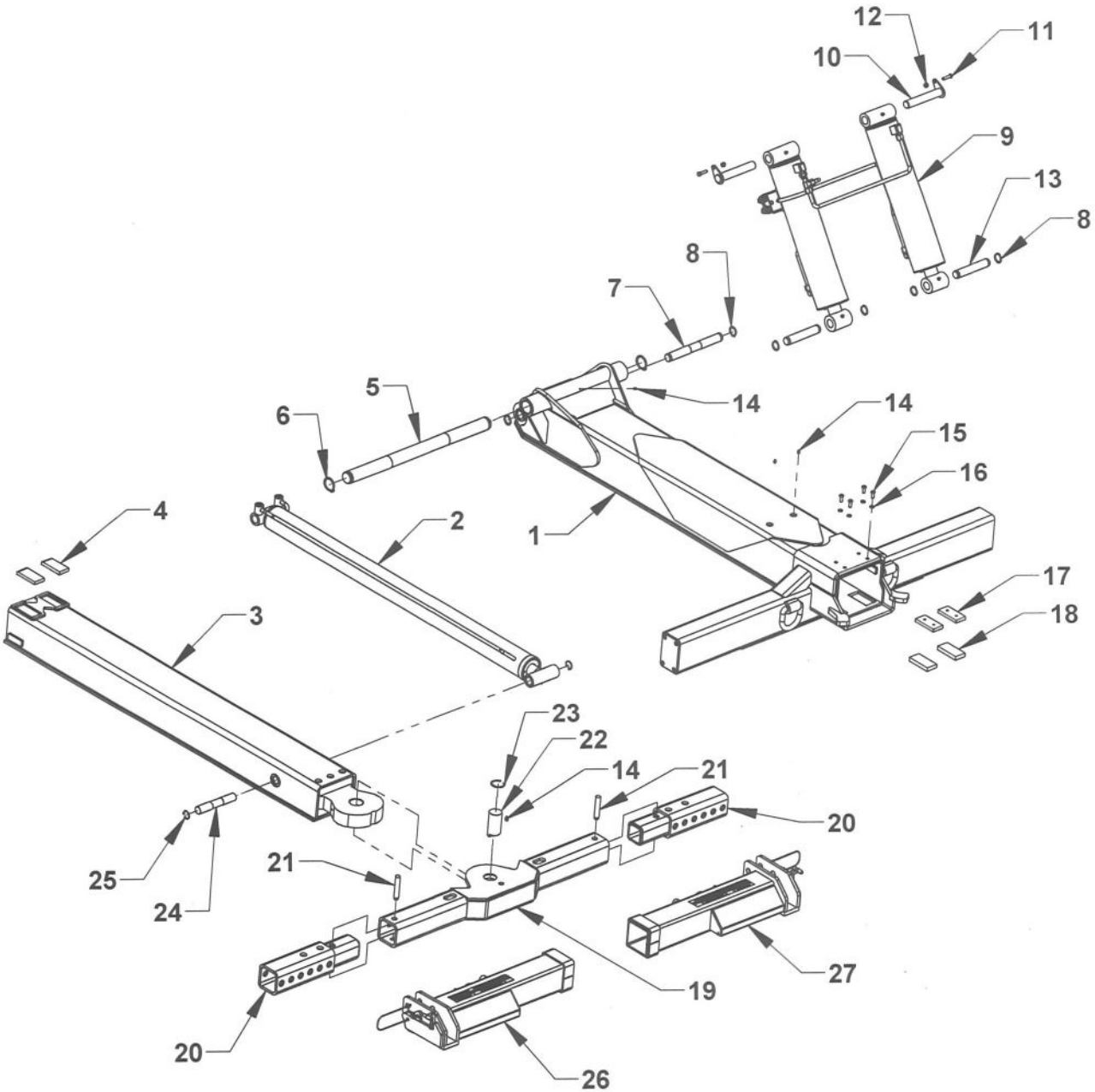
6,000 LB. GEN2 TELESCOPING PINTLE UNDERLIFTS - LONG CB



Section VI - PARTS
SERIES 30 LCG TELESCOPING PINTLE

REF	PART NO.	QTY	DESCRIPTION
1	08013531	1	6K UNDERLIFT OUTER T-BOOM LONG CB
2	72A330395	1	UNDERLIFT EXT. CYL 3.25 BORE x 39.688 STROKE
3	143122	1	UNDERLIFT HINGE PIN
4	86200E	2	2 INCH EXTERNAL SNAP RING
5	14313	1	UNDERLIFT EXTENSION CYLINDER BASE PIN
6	86125E	6	SNAP RING 1.25 EXTERNAL
7	72A450165G	2	6K UNDERLIFT LIFT CYL 4.5 BORE x 16.563 STROKE GROUP
8	08013617	2	KEEPER PIN 1.25 x 7.125
9	0400132	2	BOLT, HHCS 3/8-16 UNC x 1-1/2
10	0400392	2	NYLON LOCK NUT 3/8-16 ZP
11	16362	3	KEEPER PIN 1.225 x 6.75
12	7B130	4	GREASE FITTING 1/4-28
13	0403139	4	BOLT, BHCS 3/8-16 UNC x 1
14	0400482	2	WASHER 3/8 LOCK
15	63595H	4	WEAR PAD NYLATRON NSM 1/2 x 2 x 4 W/HOLES
16	63595	2	WEAR PAD NYLATRON NSM 1/2 x 2 x 4
17	0809898-64	2	DOCK STABILIZER EXTENSION STAND 6 x 4
18	0809646	1	DOCK STABILIZER SPADE 6 x 4
19	0809987P	1	6K INNER PINTLE BOOM
20	174017156	1	PINTLE HOOK ATTACHMENT
21	174017159	4	PINTLE BALL ATTACHMENT
22	0400177	4	BOLT HHCS 1/2-13 UNCS x 1-1/4 GR8
23	0400491	1	WASHER, 1/2 LOCK ZP
24	0809987PP	1	6K INNER PIVOTING PINTLE BOOM
25	143350	1	6K PIVOTING PINTLE HEAD
26	14614PP	1	PIVOTING PINTLE HEAD PIN
27	86125I	4	SNAPRING 1.25 INTERNAL
28	14314	1	UNDERLIFT EXTENSION CYLINDER ROD PIN

Section VI - PARTS
10,000 LB 2-STAGE UNDERLIFT GEN2 LONG CB

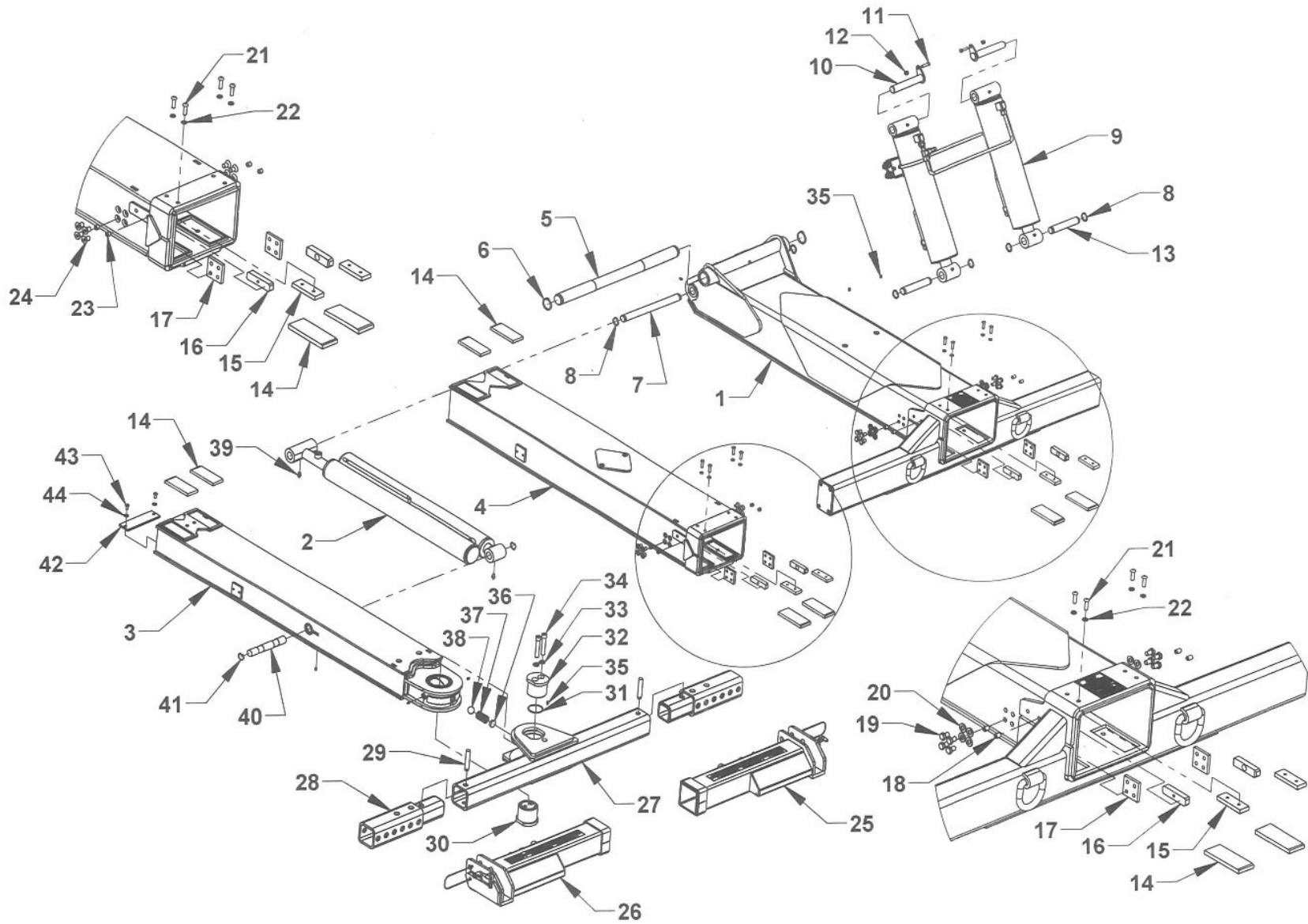


Section VI - PARTS

10,000 LB. 2-STAGE UNDERLIFT GEN2 LONG CB

REF	PART #	QTY	DESCRIPTION
1	08015290	1	10K UNDERLIFT OUTER T-BOOM 59 INCH REACH
2	72A35048	1	UNDERLIFT EXTENSION CYL 3.5 BORE x 48" STROKE
3	10292-4MT	1	10K CARRIER U/L INNER BOOM - 4MT
4	63595	2	WEAR PAD NYLATRON NSM 1/2 x 2 x 4
5	143122	1	UNDERLIFT HINGE PIN
6	86200E	2	SNAP RING - 2" EXTERNAL
7	14413	1	UNDERLIFT EXTENSION CYLINDER BASE PIN
8	86125E	6	SNAP RING 1-1/4" EXTERNAL
9	72A4065G	1	UNDERLIFT LIFT CYL 4.5" BORE x 16.563" STROKE GROUP
10	08013617	2	KEEPER PIN 1.25 x 7.125
11	0400132	2	BOLT HHCS 3/8-16 UNC x 1-1/2
12	0400392	2	NUT NYLOCK 3/8-16 ZP
13	163622	2	KEEPER PIN 1.25 x 6.75
14	7B130	3	GREASE FITTING 1/4-28
15	0403139	4	BOLT, BHCS 3/8-16 UNC x 1
16	0400482	4	LOCK WASHER 3/8
17	63595H	2	WEAR PAD NYLATRON NSM 1/2 x 2 x 4 WITH HOLES
18	0750505	2	WEAR PAD NYLATRON NSM 5/8 x 2 x 4
19	616090	1	CROSSBAR 4.00 x 4.00 x 44.625
20	6160950	2	CROSSBAR EXTENSION
21	68545	2	CROSSBAR EXTENSION PIN
22	66430	1	CROSSBAR PIVOT PIN
23	86200I	1	SNAP RING - 2" INTERNAL
24	14412	1	UNDERLIFT EXTENSION CYLINDER ROD PIN
25	86125I	2	SNAP RING 1-1/4" INTERNAL
26	68260L	1	WHEEL GRID ASSEMBLY - LH
27	68260R	1	WHEEL GRID ASSEMBLY - RH

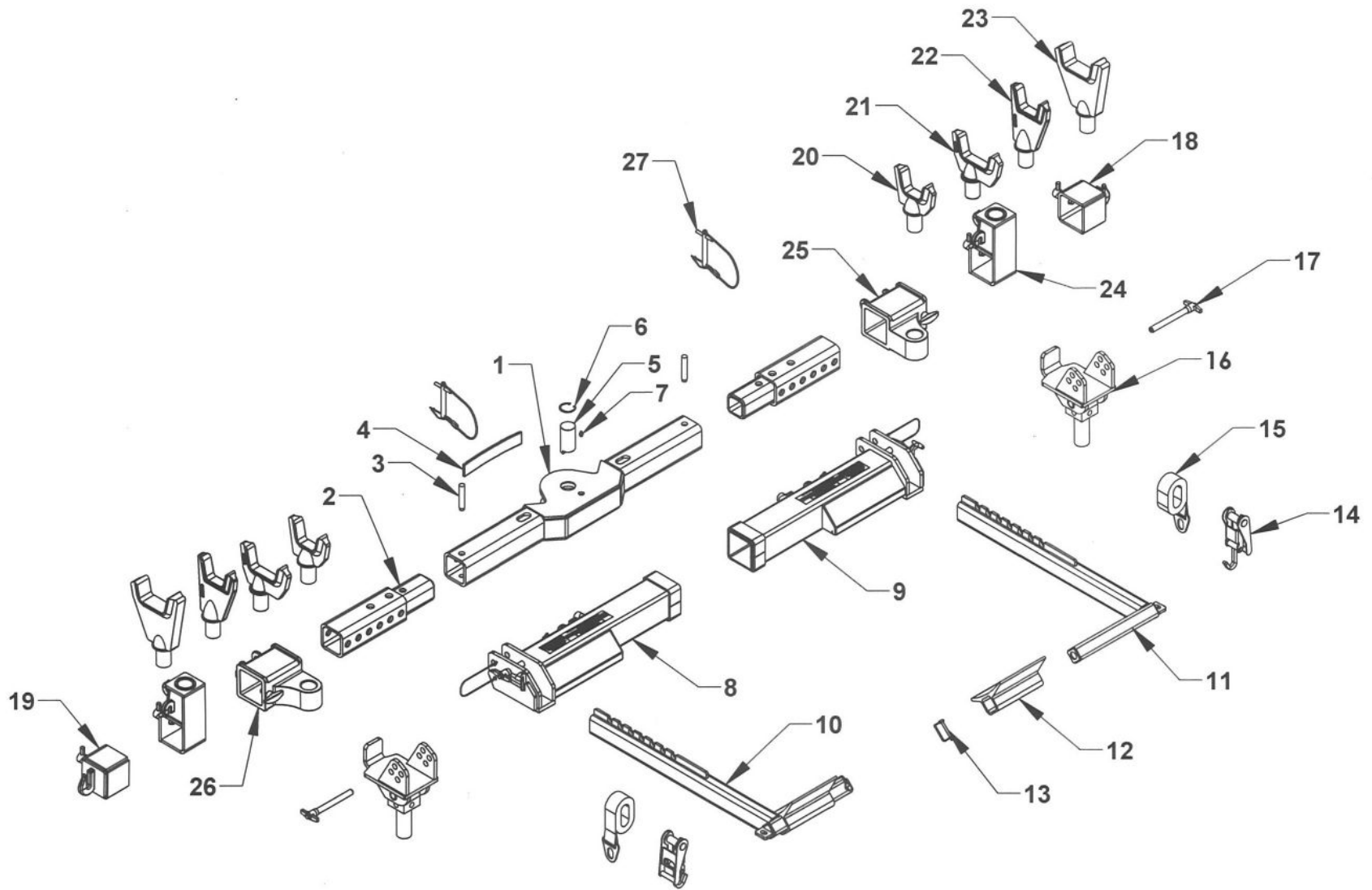
Section VI - PARTS
10,000 LB. 3-STAGE UNDERLIFT - LONG CB



Section VI - PARTS
10,000 LB. 3-STAGE UNDERLIFT

REF	QTY	PART NO.	DESCRIPTION
1	1	08013411	10K 3-STAGE UNDERLIFT OUTER T-BOOM
2	1	0306744	2-STAGE UNDERLIFT EXT. CYL 3" BORE x 62.5 STROKE
3	1	08013371	INNER BOOM 10K 3-STAGE
4	1	08013392	MID BOOM 10K 3-STAGE
5	1	143122	4K/6K UNDERLIFT HINGE PIN
6	2	86200E	SNAP RING 2" EXTERNAL
7	1	07020983	3-STAGE UNDERLIFT EXTENSION CYLINDER BASE PIN
8	6	86125E	SNAP RING 1.25" EXTERNAL
9	1	72A450165G	6K UNDERLIFT LIFT CYL 4.5" BORE x 16.563" STROKE GROUP
10	2	08013517	KEEPER PIN 1.230" x 7.125"
11	2	0400132	BOLT HHCS 3/8-16 UNC x 1-1/2
12	2	0400392	NUT NYLOCK 3/8-16 ZP
13	2	163622	SNAP RING PIN 1.230" x 6.750"
14	8	03018081	WEAR PAD NYLATRON NSM 1/2 x 2.5 x 6
15	4	13018082H	WEAR PAD NYLATRON NSM 1/2 x 1.5 x 4 WITH HOLES
16	4	0306825	SLIDE PAD 3/4 x 1 x 4
17	4	0717869	BOOM EXTEND STOP PLATE
18	4	0400204	SET SCREW 1/2-13 x 3/4
19	8	04002347	BOLT HHCS 1/2-13 UNC x 3/4 GR8
20	8	0403040	FLAT WASHER 1/2 SAE ZP
21	8	04004548	BOLT BHCS 3/8-16 UNC x 1-1/2 SS
22	8	0400482	LOCK WASHER 3/8
23	4	0400990	SET SCREW 1/2-13 x 1/4
24	8	04004551	SCREW FHSCS 1/2-13 x 3/4 ZP
25	1	68260R	6K WHEEL GRID ASSEMBLY - RH
26	1	68260L	6K WHEEL GRID ASSEMBLY - LH
27	1	08013468	CROSSBAR 10K 3-STAGE
28	2	6160950	CROSSBAR EXTENSION
29	2	68545	CROSSBAR EXTENSION PIN
30	1	0710055	PIN BOTTOM HALF PIVOT
31	1	0303087	O-RING PIVOT PIN
32	1	0710054	PIN TOP HALF PIVOT
33	2	0400508	LOCK WASHER 5/8
34	2	0400354	SCREW SHCS 5/8-11 x 3-1/2
35	11	7B130	GREASE FITTING 1/4-28
36	1	07021282	SPACER DETENT SPRING
37	1	0301197	DETENT SPRING
38	1	0301398	STEEL DETENT BALL 1-3/16 DIA.
39	2	03019924	GREASE FITTING BOLT 3/8-16 x 1/2 BOLT 1/4-28 FITTING
40	1	07020984	3-STAGE UNDERLIFT EXTENSION CYL ROD PIN
41	2	86125I	SNAP RING 1.25" INTERNAL
42	1	07020982	3-STAGE UNDERLIFT CYL. SUPPORT PAD
43	2	0400121	BOLT HHCS 3/8-16 x 3/4
44	2	0400480	FLAT WASHER 3/8 SAE ZP

Section VI - PARTS
6K/10K 2-STAGE UNDERLIFT ATTACHMENTS

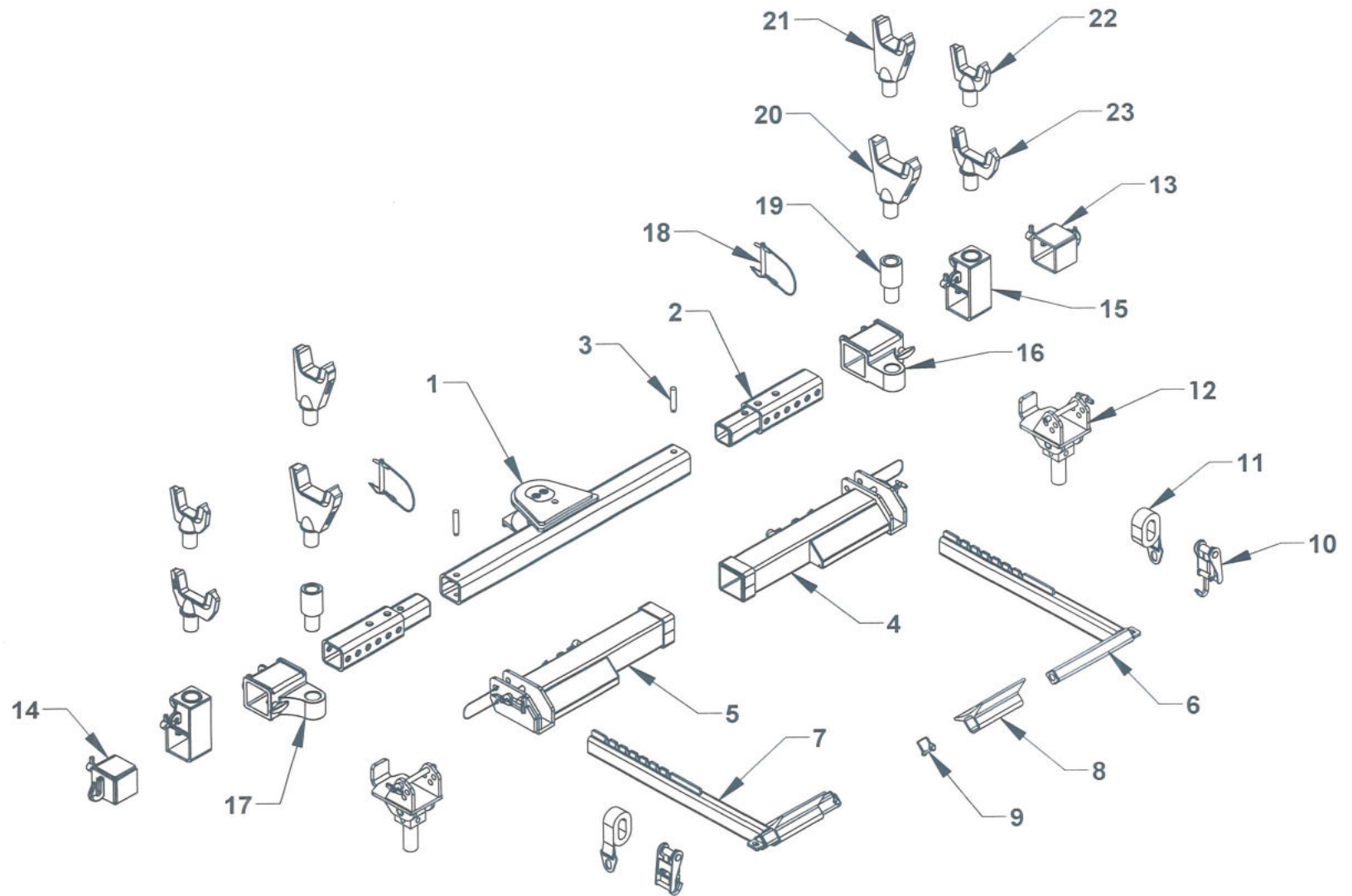


Section VI - PARTS
6K/10K UNDERLIFT CARRIER ATTACHMENTS

REF	PART #	QTY	DESCRIPTION
1	616090	1	CROSSBAR 6K 4 x 4 x 44.625
2	6160950	2	CROSSBAR EXTENSION
3	68545	2	CROSSBAR EXTENSION PIN
4	65228	1	YOKE SPRING
5	66430	1	CROSSBAR PIVOT PIN
6	86200I	1	SNAP RING 2.00 INTERNAL
7	0301895	1	GREASE FITTING 1/8-27
8	66260L	1	WHEEL GRID ASSEMBLY-LH
9	66260R	1	WHEEL GRID ASSEMBLY - RH
10	66250L	1	WHEEL RETAINER 6K - LH
11	66250R	1	WHEEL RETAINER 6K - RH
12	65245	2	REMOVABLE PAN
13	84911	2	5/16 SAFETY SNAP PIN
14	65280A	2	WHEEL LIFT RATCHET & HOOK ASSEMBLY
15	65285	2	WHEEL STRAP WITH D-RING
16	66320	2	SPRING SHACKLE ADAPTOR (OPTIONAL)
17	84923	2	T-PIN .75 x 6.00
18	66A210R	1	CROSSBAR END HOOK - RH
19	66A210L	1	CROSSBAR END HOOK - LH
20	0200018	1	FRAME FORK SHORT 3 INCH CAST
21	0200019	2	FRAME FORK SHORT - 4.5 INCH CAST
22	0200020	2	FRAME FORK MEDIUM 3 INCH CAST
23	0200021	2	FRAME FORK MEDIUM - 4.5 INCH CAST
24	66330	2	ELEVATED FORK HOLDER
25	66285R (0803580)	1	OFFSET FORK HOLDER - CAST - RH
26	66285L (0803581)	1	OFFSET FORK HOLDER - CAST - LH
27	0902378	2	RETAINER PIN (USE W/OFFSET FORK HLDERS)

Section VI - PARTS

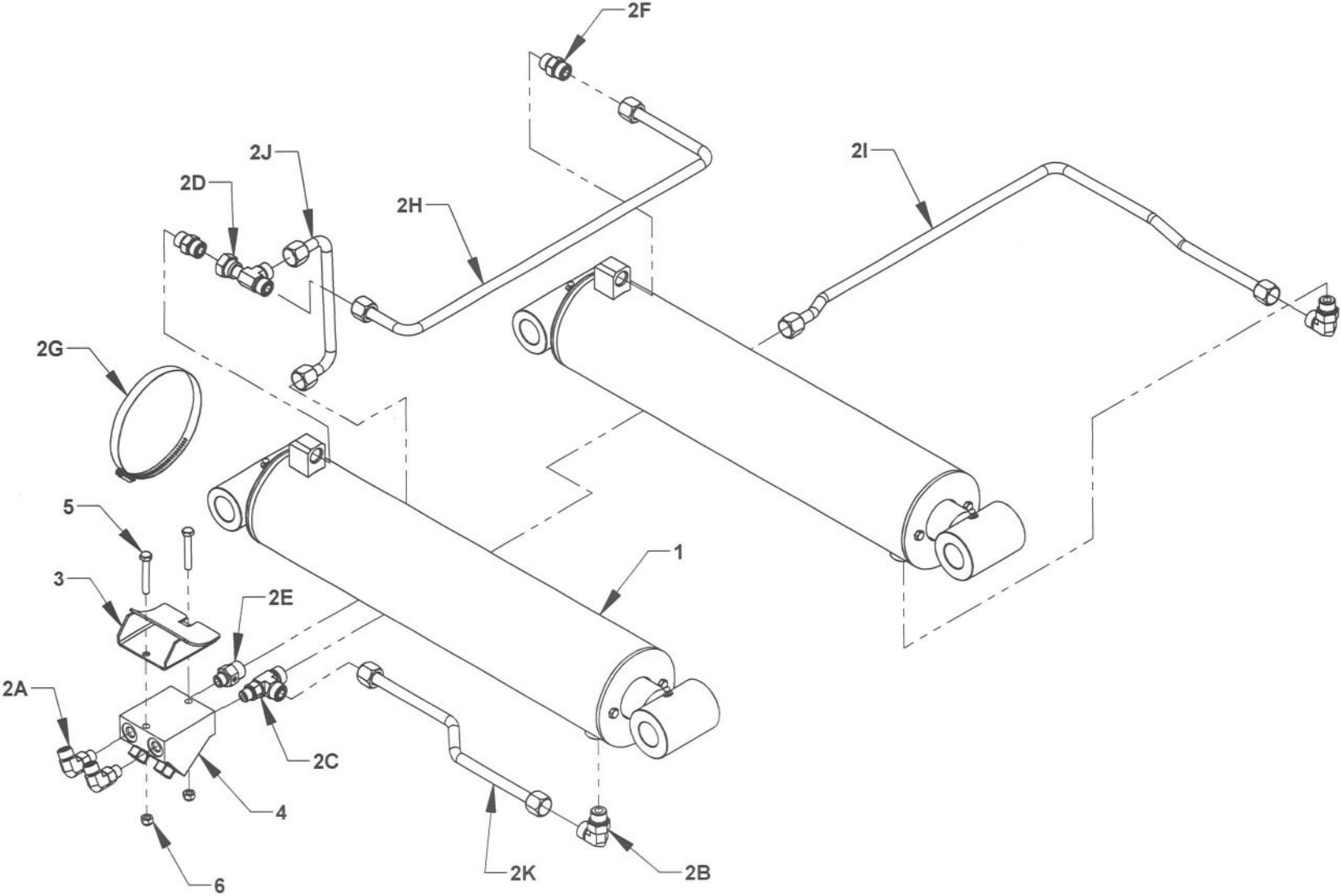
10K 3-STAGE UNDERLIFT CROSSBAR ATTACHMENTS



Section VI - PARTS
10K 3-STAGE UNDERLIFT CROSSBAR ATTACHMENTS

REF	QTY	PART NO.#	DESCRIPTION
1	1	09015929	3- STAGE 10K UNDERLIFT CROSSBAR ASSEMBLY (STD)
2	2	6460950	CROSSBAR EXTENSION (STANDARD)
3	2	68545	CROSSBAR EXTENSION PIN (STANDARD)
4	1	68260R	WHEEL GRID 6K - RH (STANDARD)
5	1	68260L	WHEEL GRID 6K - LH (STANDARD)
6	1	66250R	6000 LB. L-ARM - RH (STANDARD)
7	1	66250L	6000 LB. L-ARM - LH (STANDARD)
8	2	65245	REMOVABLE PAN (STANDARD)
9	2	84911	5/16 SAFETY SNAP PIN (STANDARD)
10		65280A	WHEEL LIFT RATCHET & HOOK ASSEMBLY (STANDARD)
11	2	65285	WHEEL STRAP WITH D-RING - YELLOW (STANDARD)
12	2	66320K	SPRING SHACKLE ADAPTOR (OPTIONAL)
13	1	66A210R	CROSSBAR END HOOK - RH (OPTIONAL)
14	1	66A210L	CROSSBAR END HOOK - LH (OPTIONAL)
15	2	66330	ELEVATED FORK HOLDER (OPTIONAL)
16	1	0803580	OFFSET FORK HOLDER - RH (OPTIONAL)
17	1	0803581	OFFSET FORK HOLDER - LH (OPTIONAL)
18	2	0902378	RETAINER PIN (USE W/OFFSET FORK HOLDER) (OPT)
19	2	0717842	U-BOLT LIFT ADAPTOR (OPTIONAL)
20	2	0200021	FORK MEDIUM 4.5" OPENING (OPTIONAL)
21	2	0200020	FORK SHORT 4.5" OPENING (OPTIONAL)
22	2	0200018	FORK MEDIUM 3" OPENING (OPTIONAL)
23	2	0200019	FORK SHORT 3" OPENING (OPTIONAL)

Section VI - PARTS
6K/10K UNDERLIFT CYLINDER FLUID TUBE GROUP



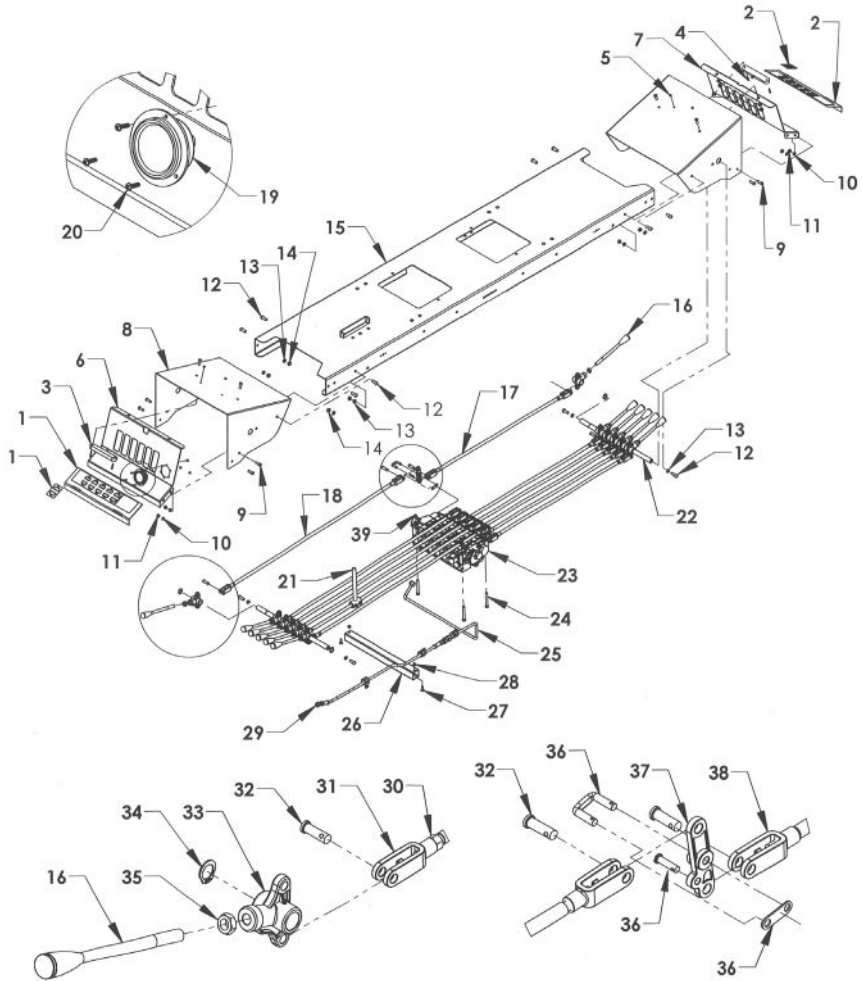
Section VI - PARTS

6K/10K UNDERLIFT CYLINDER FLUID TUBE GROUP

REF	QTY	PART NO.#	DESCRIPTION
1	2	72A450165	LIFT CYLINDER 4.5 x 16.563
2	1	090215974	CYLINDER FLUID TUBE GROUP, LONG CB
2A	2	ADPTR-FF1868T0606S	ADAPTOR 90 ORS/ORB 6 x 6
2B	2	ADPTR-FF1868T0808S	ADAPTOR 90 ORS/ORB 8 x 8
2C	1	ADPTR-FF1865T0806S	ADAPTOR TEE ORS/ORS/ORB 8 x 8 x 6
2D	1	ADPTR-FF2114T0808S	ADAPTOR TEE ORS 8 x 8
2E	1	ADPTR-FF1852T0806	ADAPTOR STRAIGHT ORS/ORB 8 x 6
2F	2	ADPTR-FF1852T0808S	ADAPTOR STRAIGHT ORS/ORB 8 x 8
2G	1	03007609	BAND CLAMP, WORM #80 3.5 - 5.5 SS
2H	1	07021228	UNDERLIFT FLUID TUBE ASSEMBLY - RH
2I	1	07021229	UNDERLIFT FLUID TUBE ASSEMBLY - RH
2J	1	07021231	UNDERLIFT FLUID TUBE ASSEMBLY - LH
2K	1	07021230	UNDERLIFT FLUID TUBE ASSEMBLY - LH
3	1	0809875-450	UNDERLIFT VALVE MOUNTING BRACKET
4	1	74345	DUAL COUNTERBALANCE VALVE CBCG-XVN
5	2	0400111	BOLT HHCS 5/16-18 UNCE x 2 GR5 ZP
6	2	0400382	NYLON LOCK NUT 5/16-18 UNC GR5 ZP

Section VI - PARTS

6-SPOOL CONTROL STATION

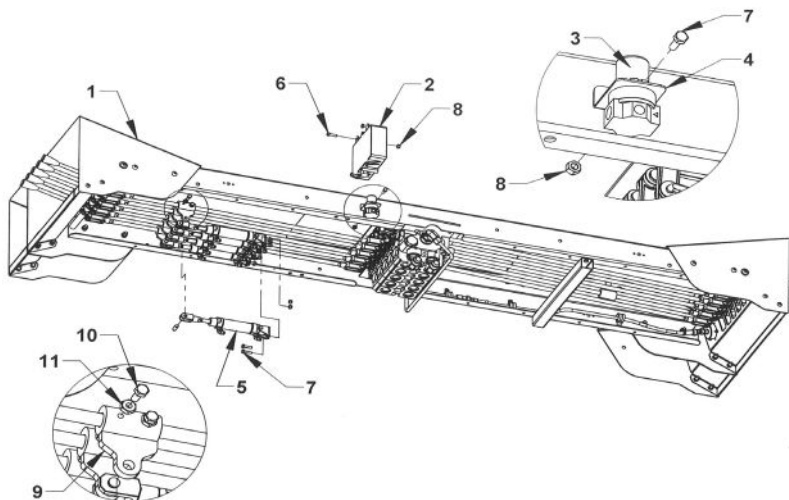


Section VI - PARTS

6-SPOOL CONTROL STATION

REF. NO.	NO. REQ'D	PART NUMBER	DESCRIPTION
1	1	18212L	5 SPOOL/6 SPOOL CONTROL PLACARD-LEFT
	1	18237	CONTROL PLACARD AUTOGRIP OVERLAY
2	1	18212R	5 SPOOL/6 SPOOL CONTROL PLACARD-RIGHT
	1	18237	CONTROL PLACARD AUTOGRIP OVERLAY
3	2	0320162	LED CONTROL STATION LIGHT - 6 IN.
4	4	04000281	SCREW, PHILLIPS #6-32 UNC x 7/8
5	7	0403147	NYLON LOCK NUT #6-32 SS
6	1	0752652L	CONTROL PANEL - LEFT
7	1	0752652R	CONTROL PANEL - RIGHT
8	2	0752651	CONTROL HOOD
9	12	0403079	BHCS 5/16-18 UNC x 5/8
10	12	0402118	LOCK WASHER 5/16 SS
11	12	0403074	HEX NUT 5/16-18 UNC
12	12	04001085	BHCS 3/8-16 UNC x1 SS
13	12	0402121	LOCK WASHER 3/8 SS
14	8	0402122	NYLON LOCK NUT 3/8-16 UNC
15	1	181286W	CONTROL BOX ARM WELDMENT - 79.5 IN
16	6	0320048-GY	CONTROL HANDLE 8" - GRAY
	2	0320048-RD	CONTROL HANDLE 8" - RED
	4	0320048-BL	CONTROL HANDLE 8" - BLUE
17	6	7A528W	CONTROL ROD 28-1/2
18	6	7A538W	CONTROL ROD 37-3/4
19	1	0320157	PRESSURE GAUGE HYDRAULIC - 2 IN.
20	6	04000282	SCREW PHILLIPS #6-32 x 1/2
21	1	0809904	ANTI-TILT CONTROL ROD WELDMENT
22	2	7A5753-17	CONTROL HANDLE CROSS ROD 3/4 x 17
23	1	74116	VALVE BODY GRESN 6 SPOOL
	1	74115	VALVE BODY GRESN 5 SPOOL (COMMON)
24	3	0403169	HHCS 5/16-18 UNC x 2-3/4
25	1	0752718-5	CONTROL STATION GAUGE FLUID TUBE - 5 SP
	1	0752718-6	CONTROL STATION GAUGE FLUID TUBE - 6 SP
26	1	18335	CONTROL STATION WIRE TUBE - 6 SP
27	2	0400066	HHCS 1/4-20 UNC x 3/4
28	2	0400367	NYLON LOCK NUT 1/4-40 UNC
29	1	0320169	PRESSURE GAUGE HOSE
30	12	0403115	NUT 3/8-24 UNF RH
31	12	84530	CLEVIS - RIGHT HAND THREAD
32	24	84620	CLEVIS PIN 3/8 x 1-1/8
33	12	7A1155	CONTROL HANDLE PIVOT BASE
34	4	86075E	SNAP RING 3/4 EXTERNAL
35	12	0400410	1/2-13 UNC JAM NUT ZP
36	6	7A010	CLEVIS PIN AND LINK ASSEMBLY
37	6	7A121	BELL CRANK
38	12	84540	CLEVIS - LEFT HAND THREAD
39	3	0400382	NYLON LOCK NUT 5/16-18 UNC

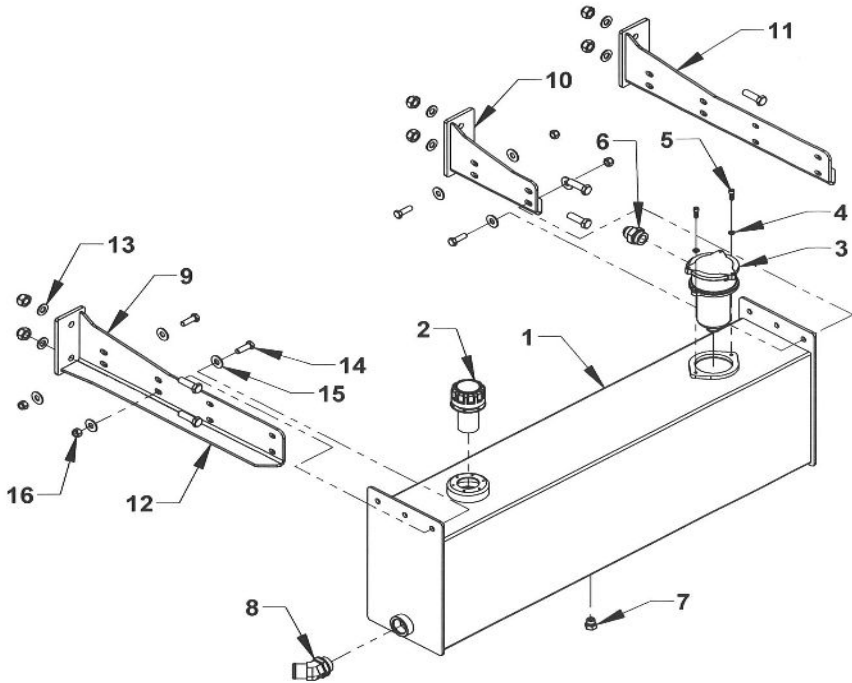
Section VI - PARTS REMOTE AIR CYLINDERS 6-SPOOL



REF. NO.	QTY	PART NUMBER	DESCRIPTION
1	1	183126	6-SPOOL CONTROL STATION
2	1	0308726-2	RADIO CONTROL RECEIVER BOX 2-FUNCTION
		0308726-4	RADIO CONTROL RECEIVER BOX 4-FUNCTION
		0308726-6	RADIO CONTROL RECEIVER BOX 6-FUNCTION
		0308726-8	RADIO CONTROL RECEIVER BOX 8-FUNCTION
		0308726-10	RADIO CONTROL RECEIVER BOX 10-FUNCTION
		0308726-12	RADIO CONTROL RECEIVER BOX 12-FUNCTION
		0308726-16	RADIO CONTROL RECEIVER BOX 16-FUNCTION
3	1	71713	AIR PRESSURE REGULATOR
4	1	0752351	AIR PRESSURE REGULATOR MTG BRACKET
5	X	0308711	AIR CYLINDER 2 INCH STROKE
6	X	0403043	BOLT HHCS 1/4-20 UNC x 1 GR5
7	X	0400066	BOLT HHCS 1/4-20 UNC x 3/4 GR5
8	X	0400367	NUT NYLOK 1/4-20 UNC
9	X	0809905	BOLT-ON AIR CYLINDER PLATE WELDMENT
10	X	0400059	BOLT HHCS 1/4-20 UNC x 5/8 GR5
11	X	0400366	NUT HEX 1/4-20 UNC

Section VI - PARTS

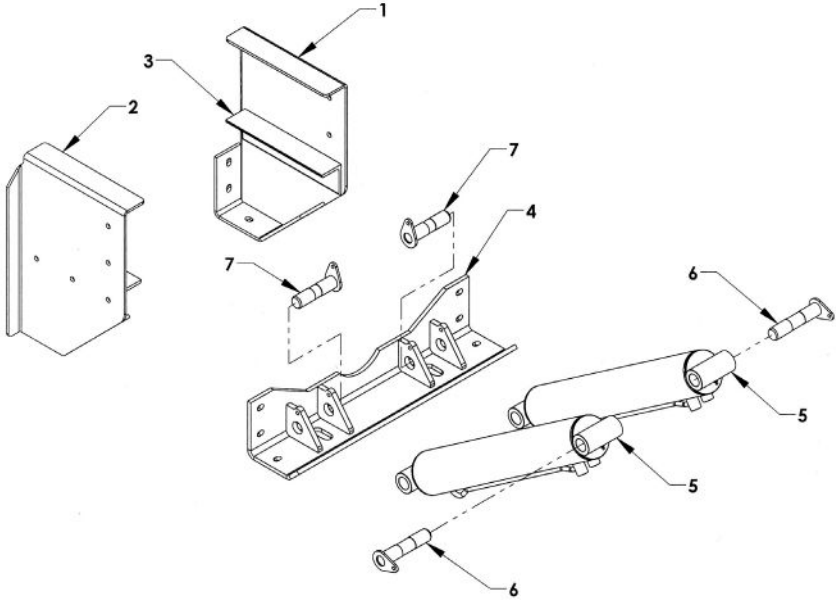
24 GALLON OIL RESERVOIR GROUP



REF	PART #	DESCRIPTION	QPU
1	0809490	OUTBOARD 24 GALLON OIL RESERVOIR	1
2	76213G	FILLER/BREATHER CAP ASSEMBLY	1
3	76270	FILTER ASSEMBLY	1
	76271	REPLACEMENT FILTER ELEMENT	1
4	0400464	LOCK WASHER 5/16 ZINC PLATED	2
5	04001427	BOLT SHCS 5/16-18 UNC x 7/8 SS	2
6	0301368	ADAPTOR 202702 16 x 12	1
7	03006085	ADAPTOR 900598-8 (MAGNETIC DRAIN PLUG)	1
8	03006341	20 x 24 SUCTION HOSE FITTING 45°	1
9	37855R	TANK MOUNTING BRACKET - RH	1
	37858R	TANK MOUNTING BRACKET (SHORT) - RH	1
10	37858L	TANK MOUNTING BRACKET (SHORT) - LH	1
11	37855L	TANK MOUNTING BRACKET - LH	1
12	0400274	BOLT 5/8-11 x 2 UNC GR8	6
13	0400426	NYLON LOCK NUT 5/8-11 UNC ZINC PLATED	6
14	0400181	BOLT 1/2-13 UNC x 1-1/2 GR8	6
15	0400492	FLAT WASHER 1/2 ZINC PLATED	8
16	0403100	NYLON LOCK NUT 1/2-13 UNC ZINC PLATED	4

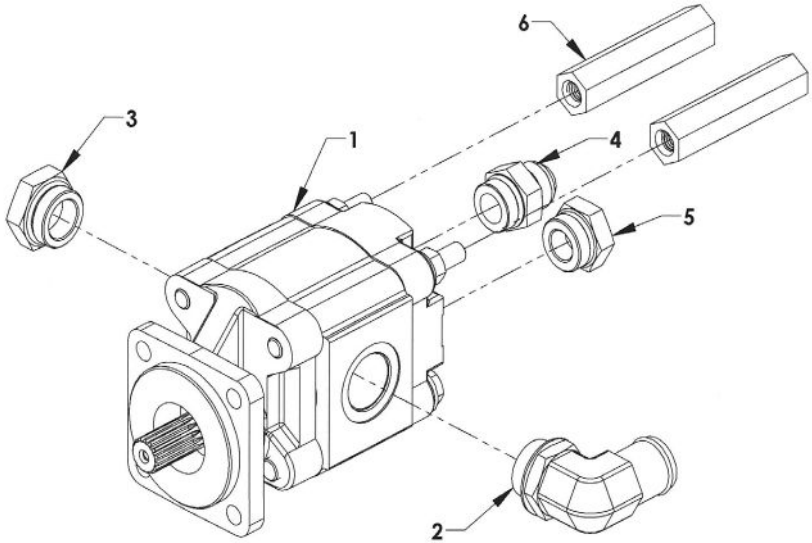
Section VI - PARTS

30 LCG TILT CYLINDER COMPONENTS (TRI-AXLE CONFIGURATION)



REF	PART #	DESCRIPTION	QPU
1	1A510TR	TILT CYLINDER SADDLE TRI-AXLE 28 IN. - RH	1
	1A570R	TILT CYLINDER SADDLE TRI-AXLE 26 IN. - RH	1
2	1A510TL	TILT CYLINDER SADDLE TRI-AXLE 28 IN. - LH	1
	1A570L	TILT CYLINDER SADDLE TRI-AXLE 26 IN. - LH	1
3	1A514	UNDERFRAME SUPPORT ANGLE	2
4	1A550	CONNECTING ANGLE - LCG	1
5	72A450335	TILT CYLINDER 4.50 x 33.5	2
	72A450375	TILT CYLINDER 4.50 x 37.5	2
6	0809477	TILT CYLINDER BASE PIN	2
7	1A555	TILT CYLINDER ROD PIN	2

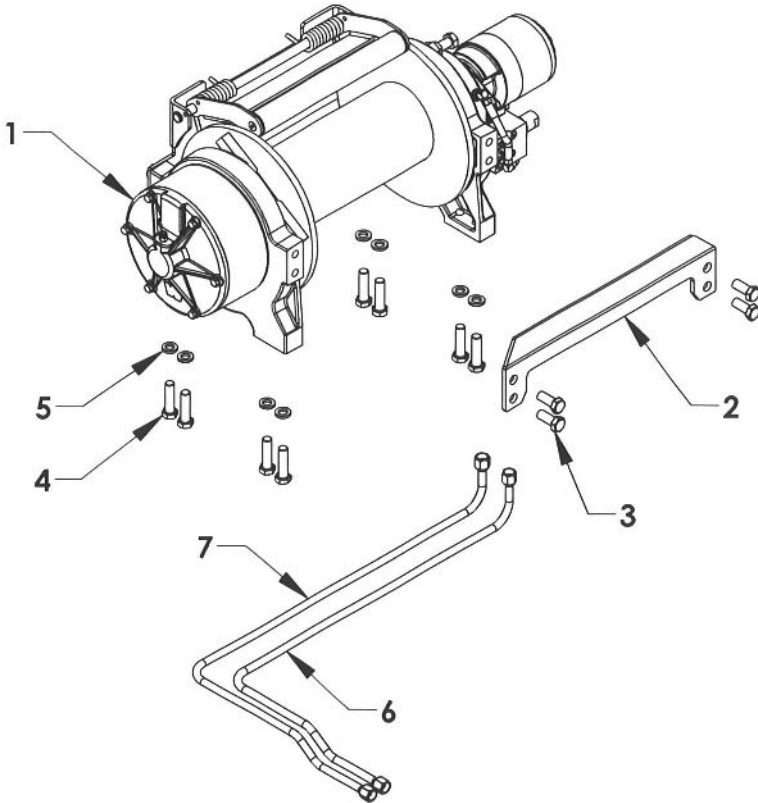
Section VI - PARTS
DIRECT MOUNT PUMP



REF	PART #	DESCRIPTION	QPU
1	78006	PUMP-24 GPM , 1 IN. 15 SPLINE SHAFT, SAE 4-BOLT FLANGE	1
2	77C92	1-1/4 x 90 M-M O-RING x 1-1/2 NIPPLE	1
3	77620	1-1/4 O-RING PLUG 900598-20	1
4	03006344	1 O-RING x 1 JICF 202702 - 16 x 16	1
5	77616	1 O-RING PLUG 900598-16	1
6	04000561	MAT, 9/16 & 5/8 UNC COUPLING	1

Section VI - PARTS

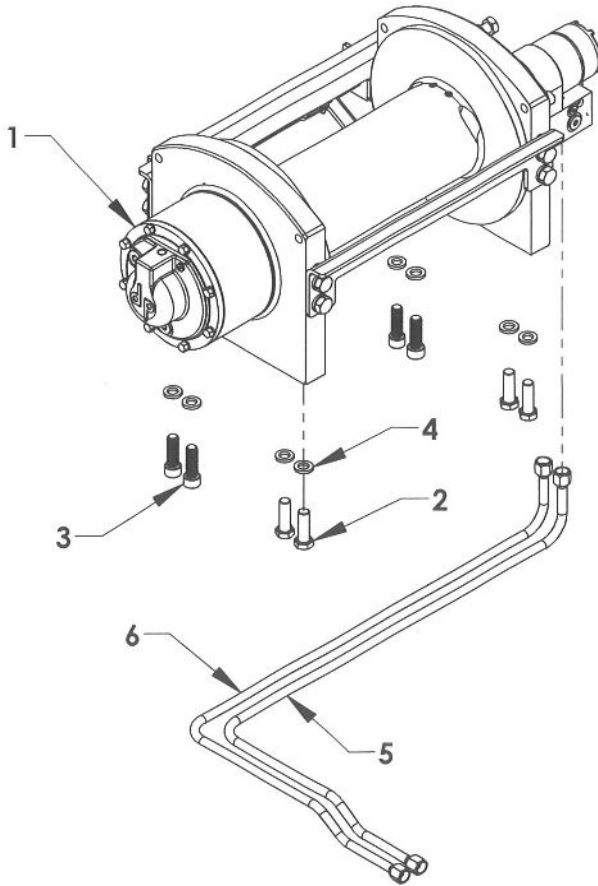
WARN 20XL PLANETARY WINCH



REF	PART #	QTY	DESCRIPTION
1	7112014	1	WARN SERIES 20XL PLANETARY WINCH
2	0750984	1	DRUM SUPPORT CROSSBAR
3	0400252	4	BOLT HHCS 5/8-11 UNC x 1-1/2 GR5
4	0403141	14	BOLT HHCS 5/8-11 UNC x 2-1/4 GR8
5	0400508	8	LOCK WASHER 5/8
6	343046	1	S20 LCG WINCH FLUID TUBE INNER
7	343050	1	S20 LCG WINCH FLUID TUBE OUTER

Section VI - PARTS

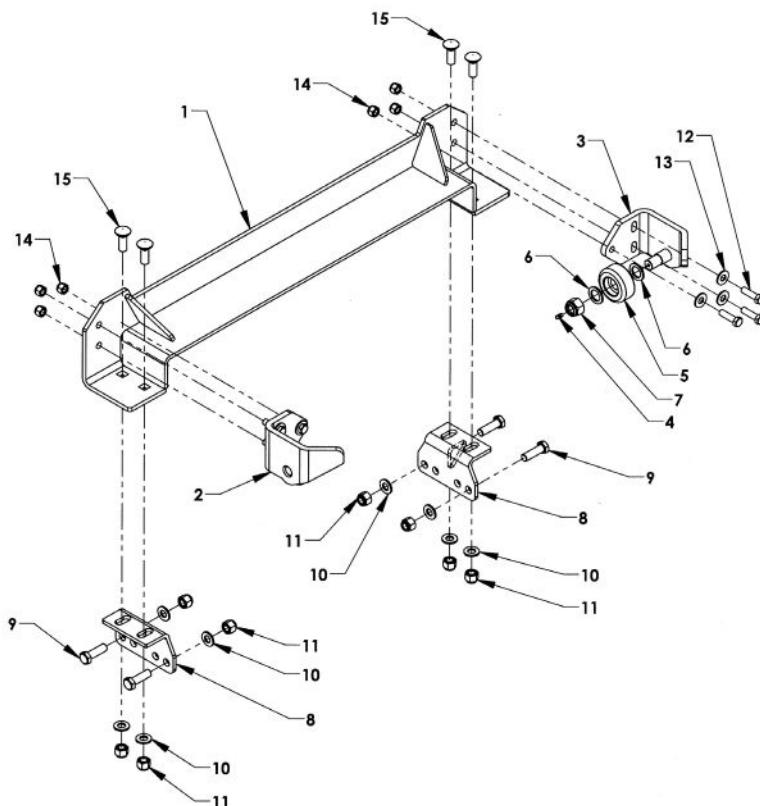
DP 20XL PLANETARY WINCH



REF	PART #	QTY	DESCRIPTION
1	03015100-2015AA	1	WARN SERIES 20XL PLANETARY WINCH
2	0400274	4	BOLT HHCS 5/8-11 UNC x 2 GR8 YZ
3	04005308	4	BOLT HHCS 5/8-11 UNC x 2 GR8 BLACK OXIDE
4	0400508	8	LOCK WASHER 5/8
5	343046-DP20	1	IND LCG FLUID TUBE INNER
6	34050-DP20	1	IND LCG FLUID TUBE OUTER

Section VI - PARTS

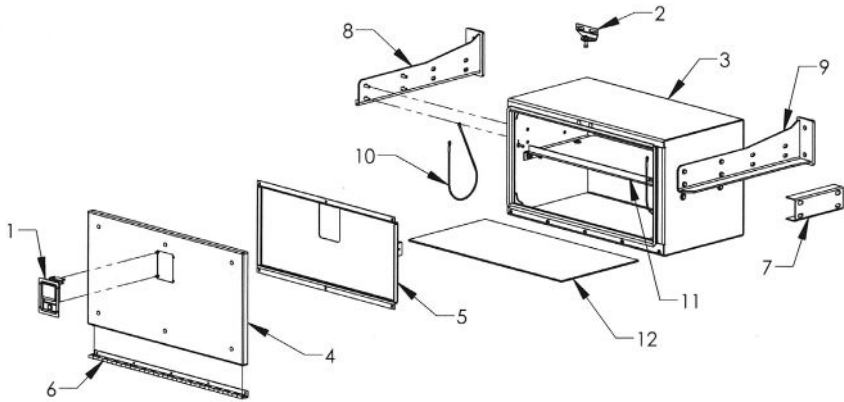
BODY LOCK ASSEMBLY - 364220K



REF. NO.	NO. REQ'D	PART NUMBER	DESCRIPTION
1	1	364220	LCG BODY LOCK WELDMENT-SETBACK CAPABLE
2	1	36315L	BODY LOCK HOLD-DOWN - LH
3	1	36315R	BODY LOCK HOLD-DOWN - RH
4	2	0306382	GREASE FITTING 1/4-28
5	2	36310	ROLLER WHEEL
6	4	0400470	FLAT WASHER 1
7	2	04001225	NYLON LOCK NUT, 7/8-14 UNF
8	2	0809183	MOUNTING BRACKET
9	4	0400260	BOLT, 5/8-11 HHCS UNC x 2 GRADE 5
10	8	0400505	FLAT WASHER 5/8
11	8	0400421	NYLON LOCK NUT, 5/8-11 UNC
12	6	0400218	BOLT, HHCS 1/2-20 UNF x 1-1/4
13	6	0400492	FLAT WASHER, 1/2 IN.
14	6	0400413	NYLON LOCK NUT, 1/2-20 UNF
15	4	0403068	CARRIAGE BOLT 5/8-11 x 1-3/4

Section VI - PARTS

33" ALUMINUM TOOLBOX - 377000

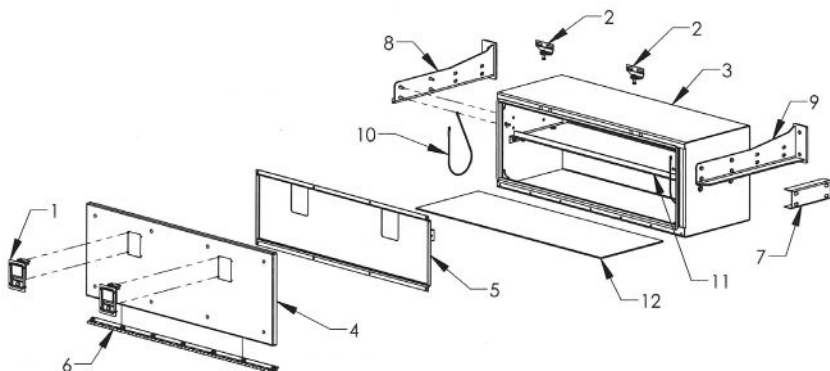


NOTE: 377000 DOES NOT INCLUDE MOUNTING BRACKETS

REF	PART #	DESCRIPTION	QPU
1	54658	ROTARY PADDLE LATCH	1
	54657	GASKET FOR PADDLE LATCH	1
	0400021	#8-32 x 1/2 STAINLESS ONE WAY SCREW	4
	0400351	#8-32 STAINLESS KEPT NUT	4
2	376182	STRIKER PIN MOUNTING PLATE	1
	54659	STRIKER PIN	1
	0403072	STAINLESS CARRIAGE BOLT 5/16-18 x 3/4	2
	0400465	FLAT WASHER 5/16	4
	0400464	LOCK WASHER 5/16	2
	0403151	NUT 5/16-18	2
	0400382	NYLON LOCK NUT 5/16-18	1
	377100W	BOX WELDMENT	1
3	37741	DOOR WELDMENT	1
	37740	DOOR ASSEMBLY	1
	81100	STAINLESS CARRIAGE BOLT 1/4-20 x 3/4	6
	0400367	NYLON LOCK NUT 1/4-20	6
4	37744	DOOR REINFORCEMENT	1
	37735	HINGE	1
5	811014	SS SOCKET BUTTON HEAD BOLT 1/4-20 x 7/8	2
	811012	SS SOCKET BUTTON HEAD BOLT 1/4-20 x 3/4	3
	811010	SS SOCKET BUTTON HEAD BOLT 1/4-20 x 5/8	5
	0400367	NYLON LOCK NUT 1/4-20	10
6	37760	TANDEM BOX SPACER CHANNEL (OPTIONAL)	1
7	37855R	TANK AND TOOLBOX MT BRACKET-RH	1
8	37855L	TANK AND TOOLBOX MT BRACKET-LH	1
9	5A221	LANYARD-21 INCH	2
10	37770	SHELF	1
11	030002300	TOOLBOX MAT 33"	1

Section VI - PARTS

49" ALUMINUM TOOLBOX - 378000

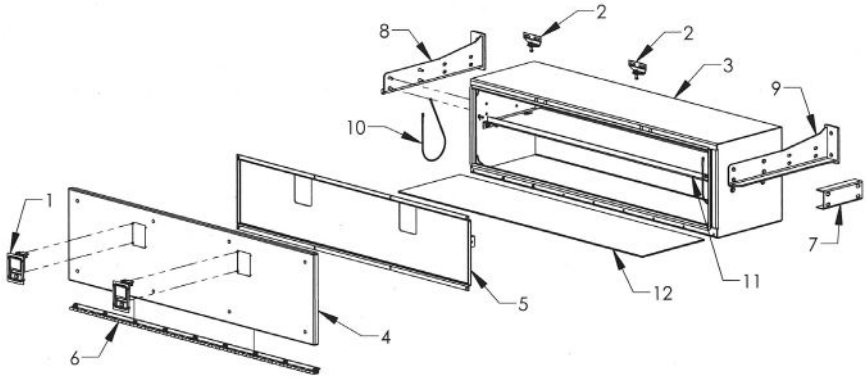


NOTE: 378000 DOES NOT INCLUDE MOUNTING BRACKETS

REF	PART #	DESCRIPTION	QPU
1	54658	ROTARY PADDLE LATCH	1
	54657	GASKET FOR PADDLE LATCH	1
	0400021	#8-32 x 1/2 STAINLESS ONE WAY SCREW	4
	0400351	#8-32 STAINLESS KEPT NUT	4
2	376182	STRIKER PIN MOUNTING PLATE	1
	54659	STRIKER PIN	1
	0403072	STAINLESS CARRIAGE BOLT 5/16-18 x 3/4	2
	0400465	FLAT WASHER 5/16	4
	0400464	LOCK WASHER 5/16	2
	0403151	NUT 5/16-18	2
	0400382	NYLON LOCK NUT 5/16-18	1
	378100W	BOX WELDMENT	1
4	37841	DOOR WELDMENT	1
	37840	DOOR ASSEMBLY	1
	81100	STAINLESS CARRIAGE BOLT 1/4-20 x 3/4	6
	0400367	NYLON LOCK NUT 1/4-20	6
5	37844	DOOR REINFORCEMENT	1
	6	37835	HINGE
		811014	SS SOCKET BUTTON HEAD BOLT 1/4-20 x 7/8
	811012	SS SOCKET BUTTON HEAD BOLT 1/4-20 x 3/4	3
	811010	SS SOCKET BUTTON HEAD BOLT 1/4-20 x 5/8	5
	0400367	NYLON LOCK NUT 1/4-20	10
7	37760	TANDEM BOX SPACER CHANNEL (OPTIONAL)	1
8	37855R	TANK AND TOOLBOX MT BRACKET-RH	1
9	37855L	TANK AND TOOLBOX MT BRACKET-LH	1
10	5A221	LANYARD-21 INCH	2
11	37670	SHELF	1
12	030002301	TOOLBOX MAT 49"	1

Section VI - PARTS

65" ALUMINUM TOOLBOX - 379000

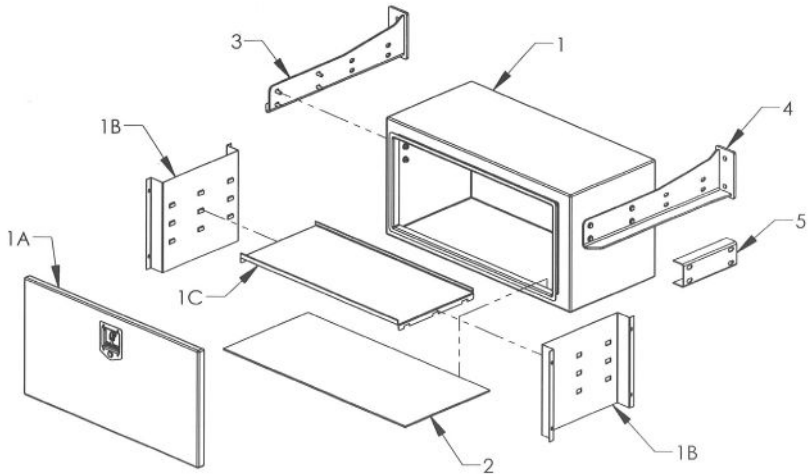


NOTE: 379000 DOES NOT INCLUDE MOUNTING BRACKETS

REF	PART #	DESCRIPTION	QPU
1	54658	ROTARY PADDLE LATCH	1
	54657	GASKET FOR PADDLE LATCH	1
	0400021	#8-32 x 1/2 STAINLESS ONE WAY SCREW	4
	0400351	#8-32 STAINLESS KEPT NUT	4
2	376182	STRIKER PIN MOUNTING PLATE	1
	54659	STRIKER PIN	1
	0403072	STAINLESS CARRIAGE BOLT 5/16-18 x 3/4	2
	0400465	FLAT WASHER 5/16	4
	0400464	LOCK WASHER 5/16	2
	0403151	NUT 5/16-18	2
	0400382	NYLON LOCK NUT 5/16-18	1
	379100W	BOX WELDMENT	1
4	37941	DOOR WELDMENT	1
	37940	DOOR ASSEMBLY	1
	81100	STAINLESS CARRIAGE BOLT 1/4-20 x 3/4	6
	0400367	NYLON LOCK NUT 1/4-20	6
5	37944	DOOR REINFORCEMENT	1
6	37935	HINGE	1
	811014	SS SOCKET BUTTON HEAD BOLT 1/4-20 x 7/8	2
	811012	SS SOCKET BUTTON HEAD BOLT 1/4-20 x 3/4	3
	811010	SS SOCKET BUTTON HEAD BOLT 1/4-20 x 5/8	5
	0400367	NYLON LOCK NUT 1/4-20	10
7	37760	TANDEM BOX SPACER CHANNEL (OPTIONAL)	1
8	37855R	TANK AND TOOLBOX MT BRACKET-RH	1
9	37855L	TANK AND TOOLBOX MT BRACKET-LH	1
10	5A221	LANYARD-21 INCH	2
11	37970	SHELF	1
12	030002302	TOOLBOX MAT 65"	1

Section VI - PARTS

36" STEEL TOOLBOX LCG - 174016021

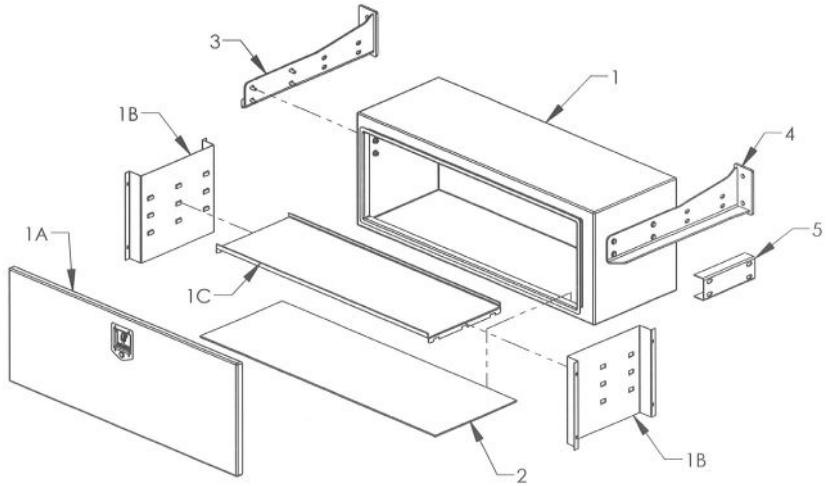


NOTE: 174016023 DOES NOT INCLUDE MOUNTING BRACKETS

REF	QPU	PART NO.	DESCRIPTION
1	1	174016021	STEEL TOOLBOX 36" WITH STAINLESS STEEL DOOR
1A	1	174016021D	SS DOOR ASSEMBLY
1B	2	07002918	STEEL TOOLBOX INSIDE PANEL
1C	1	07002919-36	STEEL TOOLBOX 36" SHELF
2	1	0308801	TOOLBOX MAT 36"
3	1	37855R	TOOLBOX AND OIL TANK MTG BRACKET-RH
4	1	37855L	TOOLBOX AND OIL TANK MTG BRACKET-LH
5	1	37760	TANDEM BOX SPACER CHANNEL (OPT)

Section VI - PARTS

48" STEEL TOOLBOX LCG - 174016022

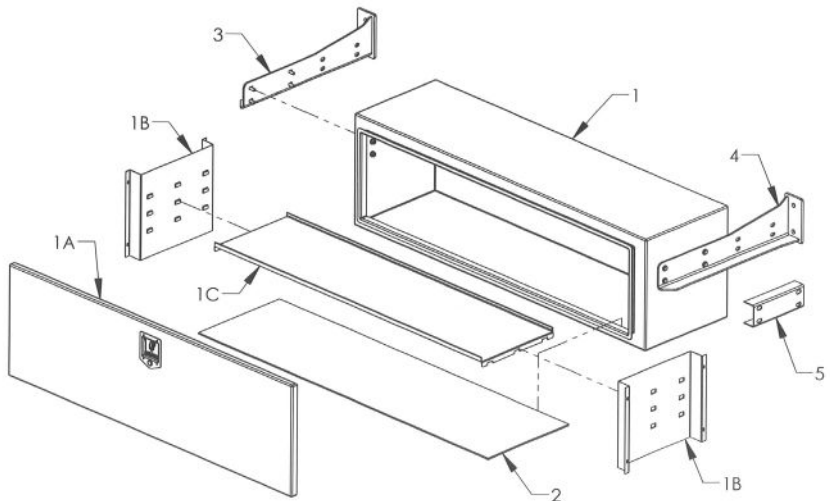


NOTE: 174016023 DOES NOT INCLUDE MOUNTING BRACKETS

REF	QPU	PART NO.	DESCRIPTION
1	1	174016022	STEEL TOOLBOX 48" WITH STAINLESS STEEL DOOR
1A	1	174016022D	SS DOOR ASSEMBLY
1B	2	07002918	STEEL TOOLBOX INSIDE PANEL
1C	1	07002919-48	STEEL TOOLBOX 48" SHELF
2	1	0308758	TOOLBOX MAT 48"
3	1	37855R	TOOLBOX AND OIL TANK MTG BRACKET-RH
4	1	37855L	TOOLBOX AND OIL TANK MTG BRACKET-LH
5	1	37760	TANDEM BOX SPACER CHANNEL (OPT)

Section VI - PARTS

60" STEEL TOOLBOX LCG - 174016023

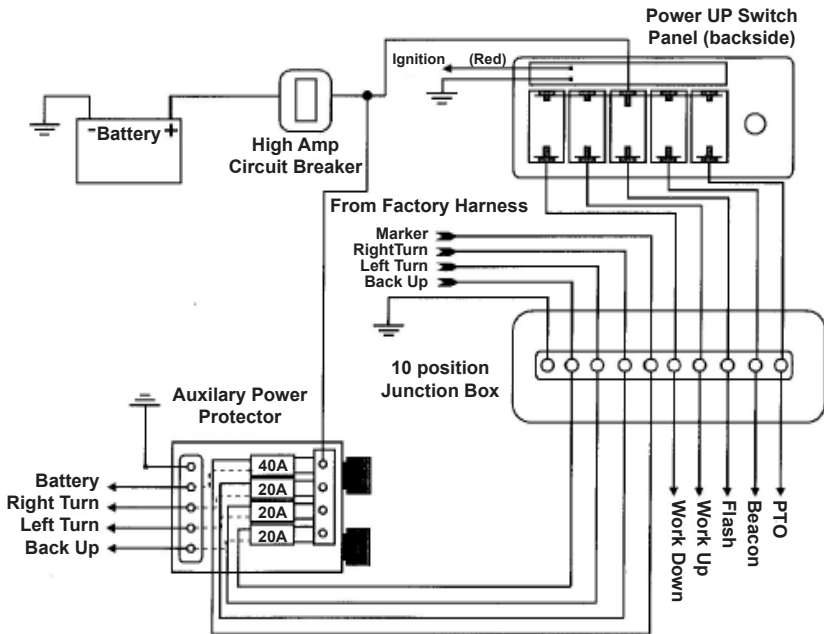


NOTE: 174016023 DOES NOT INCLUDE MOUNTING BRACKETS

REF	QPU	PART NO.	DESCRIPTION
1	1	174016023	STEEL TOOLBOX 60" WITH STAINLESS STEEL DOOR
1A	1	174016023D	SS DOOR ASSEMBLY
1B	2	07002918	STEEL TOOLBOX INSIDE PANEL
1C	1	07002919-60	STEEL TOOLBOX 60" SHELF
2	1	0308837	TOOLBOX MAT 60"
3	1	37855R	TOOLBOX AND OIL TANK MTG BRACKET-RH
4	1	37855L	TOOLBOX AND OIL TANK MTG BRACKET-LH
5	1	37760	TANDEM BOX SPACER CHANNEL (OPT)

Section VI - PARTS

OPTIONAL DASHBOARD PANEL

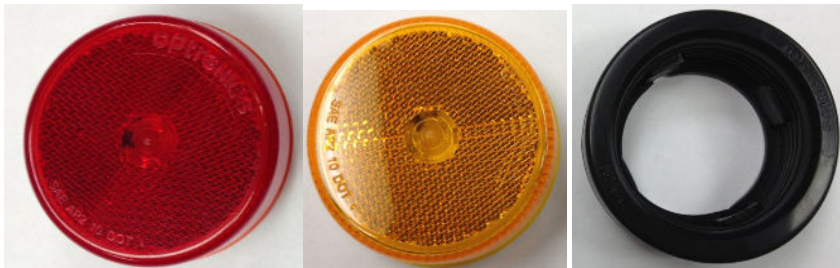


Section VI - PARTS

LIGHT KIT



REF. NO.	PART NUMBER	DESCRIPTION
1	0311498	LIGHT 6" OVAL RED LED - STOP/TURN
2	0311498	LIGHT 6" OVAL REVERSE LED
3	0311503	LIGHT 6" GROMMET



REF. NO.	PART NUMBER	DESCRIPTION
1	0311512	LIGHT 2.5" RED REFLEX LED (MCL59RB)
2	0311513	LIGHT 2.5" AMBER REFLEX LED (MCL59AB)
3	0311516	LIGHT 2.5" GROMMET

Section VI - PARTS

LIGHT KIT



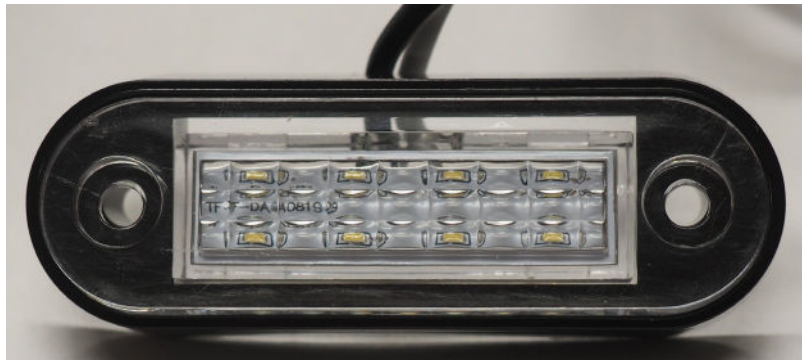
REF. NO.	PART NUMBER	DESCRIPTION
1	0311514	LIGHT 2.5" ROUND CLEAR/RED LED MARKER LIGHT
2	0311515	LIGHT 2.5" ROUND CLEAR/AMBER LED MARKER LIGHT
3	3011516	LIGHT 2.5" GROMMET



REF. NO.	PART NUMBER	DESCRIPTION
1	0320162	6 IN. CONTROL STATION LED LIGHT

Section VI - PARTS

LIGHT KIT & PRESSURE GAUGE



REF. NO.	PART NUMBER	DESCRIPTION
1	0320161	3 IN. CONTROL STATION LED LIGHT



REF. NO.	PART NUMBER	DESCRIPTION
1	0320157	2 IN. HYDRAULIC PRESSURE GAUGE

Section VI - PARTS

LIGHT KIT



REF. NO.	PART NUMBER	DESCRIPTION
1	0311519	RED 3/4 LED ICC LIGHT



REF. NO.	PART NUMBER	DESCRIPTION
1	0311520	RED 3/4 LED LIGHT

Section VI - PARTS

LIGHT KIT



REF. NO.	PART NUMBER	DESCRIPTION
1	0311521	AMBER 3/4 ROUND LED LIGHT



REF. NO.	PART NUMBER	DESCRIPTION
1	0311522	CLEAR/RED 3/4 ROUND LED LIGHT



REF. NO.	PART NUMBER	DESCRIPTION
1	0311523	CLEAR/AMBER 3/4 ROUND LED LIGHT

Section VI - PARTS

LIGHT KIT



REF. NO.	PART NUMBER	DESCRIPTION
1	0308359	MARKER LIGHT RED REFLEX LED



REF. NO.	PART NUMBER	DESCRIPTION
1	0308360	MARKER LIGHT AMBER REFLEX LED

Section VI - PARTS

LIGHT KIT



REF. NO.	PART NUMBER	DESCRIPTION
1	0308969R	MARKER LIGHT RED REFLEX LED



REF. NO.	PART NUMBER	DESCRIPTION
1	0308969A	MARKER LIGHT AMBER REFLEX LED

Section VI - PARTS

LIGHT KIT



REF. NO.	PART NUMBER	DESCRIPTION
1	0312578	MILLENNIUM MARKER LIGHT CLEAR/AMBER



REF. NO.	PART NUMBER	DESCRIPTION
1	0312579	MILLENNIUM MARKER LIGHT CLEAR/RED

Section VI - PARTS

LIGHT KIT



REF. NO.	PART NUMBER	DESCRIPTION
1	0308491	REFLECTOR - AMBER



REF. NO.	PART NUMBER	DESCRIPTION
1	0308490	REFLECTOR - RED

Section VI - PARTS

LIGHT KIT



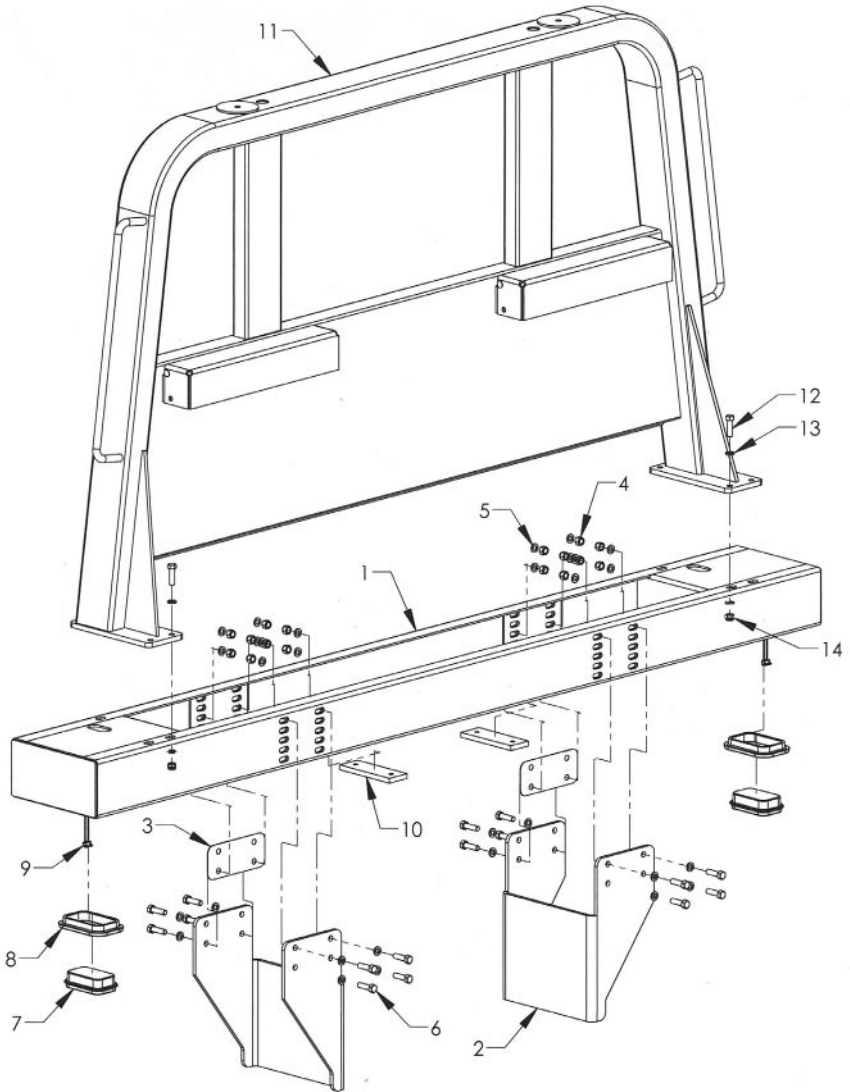
REF. NO.	PART NUMBER	DESCRIPTION
1	0308420	OVAL MID BODY TURN LED
1	0311513	OVAL MID BODY TURN GROMMET



REF. NO.	PART NUMBER	DESCRIPTION
1	0311510	RECTANGULAR REFLEX BACK UP
1	0311511	RECTANGULAR REFLEX BACK UP GROMMET

Section VI-PARTS

FRAME MOUNTED PYLON - 0940455-102 LCG BASE ASSEMBLY



GRAB HANDLES AND CHAIN HANGERS ARE OPTIONAL PYLON EQUIPMENT

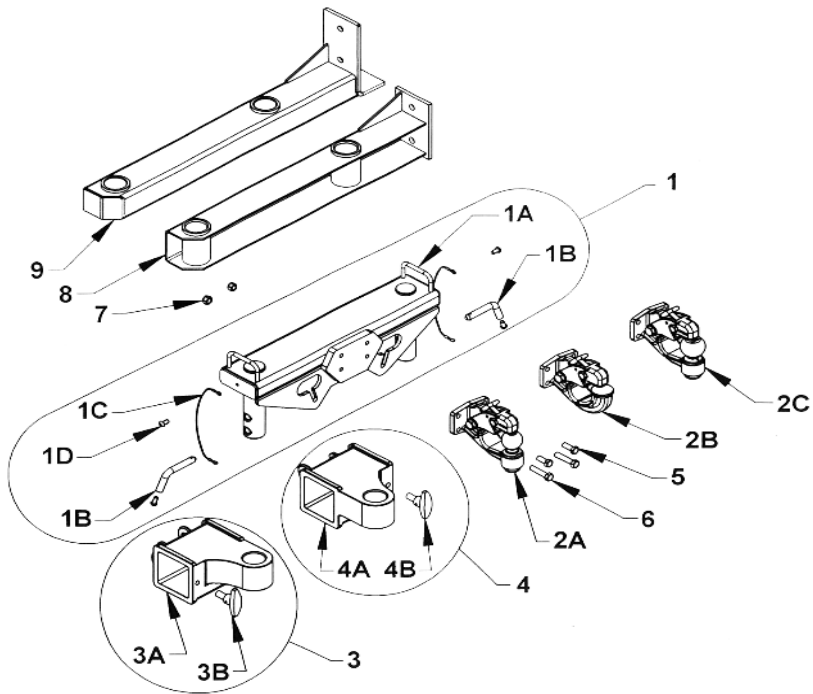
Section VI - PARTS

FRAME MOUNTED PYLON - 0940455-102

REF. NO.	NO. REQ'D	PART NUMBER	DESCRIPTION
1	1	0811186-102	FMP CONVENTIONAL CHAIN TRAY BASE - 102
2	2	0752751	PYLON MTG BRACKET, FMP LCG
3	2	0752730	SHIM, 16 GAGE, FMP BASE
4	16	0400408	NYLON LOCK NUT 1/2-13 UNC
5	32	0403040	FLAT WASHER 1/2 SAE ZP
6	16	0403058	BOLT HHCS 1/2-13 x 1-3/4 GR8 PLAIN
7	2	0311511	CARRIER TAIL LIGHT GROMMET
8	2	0311509	LIGHT RECT REVERSE LED
9	2	0311506	LIGHT PIGTAIL 2 PRONG 18 IN. LEAD
10	2	354614-050	FMP 1/2 IN. SPACER SERIES 12 LCG
		354614-100	FMP 1 IN. SPACER SERIES 16 LCG
		354614-150	FMP 1-1/2 IN. SPACER SERIES 20 LCG
		354614-075/175	FMP 2-1/2 IN. SPACER SERIES 20 LCG WOOD
		354614-050/175	FMP 2-1/4 IN. SPACER SERIES 30 LCG
		354614-150/175	FMP 3-1/4 IN. SPACER SERIES 30 LCG WOOD
11	1	0811185-48	FMP 12 PYLON-48
		0811185-50	FMP 12 PYLON-50
		0811185-52	FMP 12 PYLON-52
		0811185-56	FMP 12 PYLON-56
		0811185-60	FMP 12 PYLON-60
		0811185-63	FMP 12 PYLON-63
		0811185-68	FMP 12 PYLON-68
12	6	0403058	BOLT HHCS 1/2-13 x 1-3/4 GR8 PLAIN
13	12	0403040	FLAT WASHER 1/2 SAE ZP
14	6	0400408	NYLON LOCK NUT 1/2-13 UNC

Section VI - PARTS

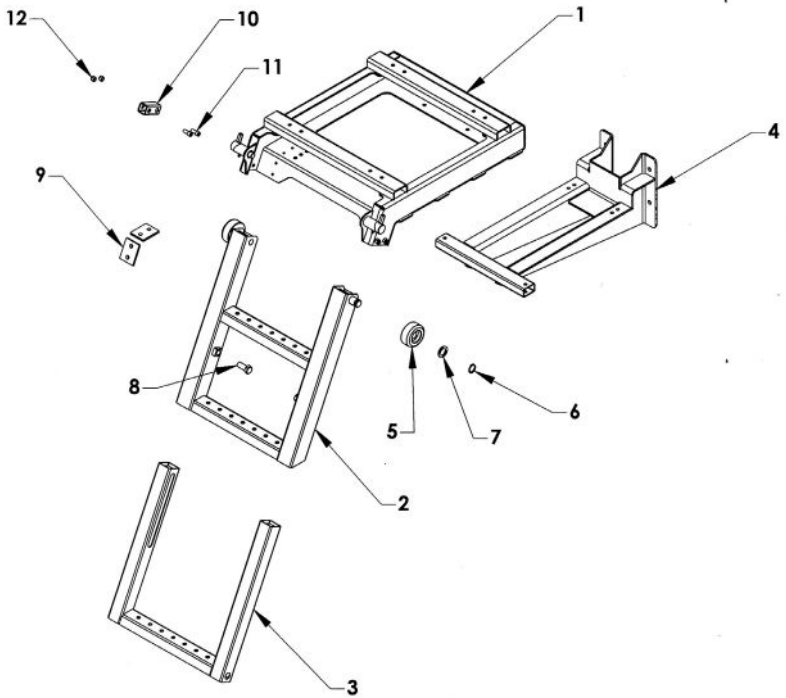
PINTLE ATTACHMENT GROUP



REF	PART NO.	QTY	DESCRIPTION
1	66370G	1	PINTLE ATTACHMENT
1A	66370	1	PINTLE ATTACHMENT WELDMENT
1B	66378	2	RETAINING PIN
1C	65292	2	LANYARD
1D	0403004	4	BOLT BHCS 3/8-16 x 3/4
2A	174017159	1	TOW BALL PINTLE HITCH - 2 IN. BALL
2B	174017156	1	PINTLE HOOK
2C	174017172	1	TOW BALL PINTLE HITCH - 2-5/16 IN. BALL
3	09013890	1	FORK HOLDER - OFFSET - ASSEMBLY - RH
3A	0803581	1	FORK HOLDER - OFFSET - RH
3B	0306564	1	MILLER T-BOLT
4	09013889	1	FORK HOLDER - OFFSET - ASSEMBLY - LH
4A	0803580	1	FORK HOLDER - OFFSET - LH
4B	0306564	1	MILLER T-BOLT
5	04000005	2	BOLT HHCS 1/2-13 X 1.25 GRADE 8 SECURE WITH LOCTITE
6	0403056	2	BOLT HHCS 1/2-13 X 2-1/2 GRADE 8
7	0400408	2	NUT, NYLOK 1/2-13
8	66385	1	PINTLE ATTACH. STORAGE BRACKET-DUAL REAR WHEELS
9	66395	1	PINTLE ATTACHMENT STORAGE BRACKET - SUPER SINGLE

Section VI - PARTS

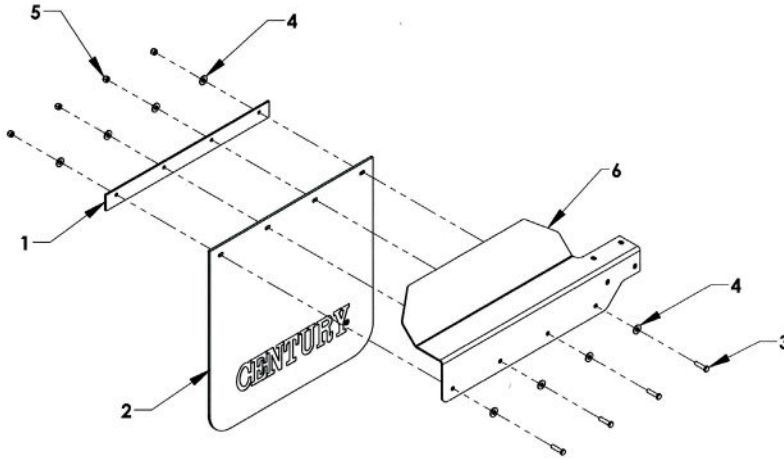
LCG RETRACTABLE LADDER



REF	PART #	DESCRIPTION	
	390000	LADDER ASSEMBLY	1
1	391010	LADDER CARRIAGE	1
2	391020	UPPER RUNG ASSEMBLY	1
3	391030	LOWER RUNG ASSEMBLY	1
4	391050	FRAME MOUNTING BRACKET - OPTIONAL	1
5	36310	WHEEL	2
6	86100E	RETAINING RING 1.00 EXTERNAL	2
7	82710	FLAT WASHER 1 x 1.50	2
8	391026	RETAINING BOLT 5/8-11 x 1-1/2	2
9	391018	WEAR PAD	4
10	391015	RETAINING TUBE	2
11	81211	ALLEN HEAD BOLT 3/8-16 x 1	4
12	83211	NYLON LOCK NUT 3/8-16	4

Section VI - PARTS

MUDFLAP COMPONENTS



REF	PART #	DESCRIPTION	QPU
1	12359	MUDFLAP SUPPORT PLATE	1
2	0308419	MUDFLAP 24 x 24	1
3	81240	BOLT, HHCS 3/8-16 UNC x 1-1/2 BOLT	4
4	0400480	3/8 FLAT WASHER	8
5	0400392	3/8-16 UNC NYLON LOCK NUT	4
6	071024-29L	WIDE AL SPLASH GUARD L. REAR - L. FRONT	1
	071024-29R	WIDE AL SPLASH GUARD R REAR - R FRONT	1