

CENTURY®

L E G E N D A R Y L E A D E R S H I P



OWNER'S MANUAL **30 SERIES**

INSTALLATION, OPERATION, MAINTENANCE & PARTS

**NOTE: MANUAL including SPECIFICATIONS, subject to change without notice
All ratings specified are based on structural factors only,
not vehicle capacities or capabilities.**

CENTURY®

Miller Industries Towing Equipment Inc.
8503 Hilltop Drive
Ooltewah, Tennessee 37363

FORM NO. 0500822
REV. 4/05
PRICE \$25.00

Phone (423) 238-4171 • FAX (423) 238-5371

LIMITED WARRANTY

MILLER INDUSTRIES TOWING EQUIPMENT INC., hereinafter referred to as MILLER, warrants to the original purchaser that each new MILLER Carrier will be free from defects in material and workmanship for a period of one (1) year from the date of purchase. The purchaser must promptly notify MILLER in writing of any failure in material or workmanship. In no event shall such notification be received by MILLER later than thirteen (13) months from date of delivery.

The obligation under this warranty, statutory or otherwise, is limited to the repair or replacement at our factory, or at a point designated by us, of such part or parts as shall appear to us upon inspection to be defective in material or workmanship. New or remanufactured parts will be used for any replacement.

This warranty does not obligate MILLER to bear the cost of labor or transportation charges in connection with the replacement or repair of any parts found to be defective, nor shall it apply to a product upon which repairs or alterations have been made unless authorized by us.

MILLER shall in no event be liable for any incidental or consequential damages or contingent arising out of the failure of any parts or products to operate properly. NO IMPLIED, EXPRESS, OR STATUTORY WARRANTY OTHER THAN STATED HEREIN IS MADE OR AUTHORIZED TO BE MADE BY OR FOR US, INCLUDING, BUT NOT LIMITED TO, THE IMPLIED WARRANTIES OF MERCHANTABILITY AND FITNESS FOR A PARTICULAR PURPOSE.

MILLER makes no warranty, express or implied, as to finished products manufactured or supplied by another manufacturer or supplier by MILLER to purchaser, including, but not limited to, any vehicle to which a MILLER product may be affixed or accessories or wire rope (cable), and expressly disclaims any implied warranties of merchantability or fitness for a particular purpose as to such equipment or products. This language shall in no way affect or diminish the rights of purchaser to rely on such warranties as are extended by such manufacturers or suppliers.

MILLER, whose policy is one of continuous improvement, reserves the right to improve its product through changes in design or materials as it may deem desirable without being obligated to incorporate such changes in products of prior manufacture.

IT IS EXPRESSLY UNDERSTOOD THAT THERE IS NO IMPLIED WARRANTY THAT MILLER CARRIERS SHALL BE FIT FOR THE PURPOSE OF LIFTING OR MOVING PERSONS OR OTHER IMPROPER USE. THIS WARRANTY IS NOT TRANSFERABLE.



Miller Industries Towing Equipment Inc.
8503 Hilltop Drive
Ooltewah, Tennessee 37363
Telephone (423) 238-4171

SERIAL NUMBER

Section VI - PARTS

This Section is provided by the manufacturer for the purpose of ordering any component part of the **30 Series Car Carrier** that may be required when part replacement is necessary. Be certain to use only original equipment replacement parts for warranty purposes as well as for keeping your **30 Series Car Carrier** in its original state and optimum operating capacities.

When ordering replacement or spare parts be sure to provide the following information to your carrier manufacturer authorized representative.

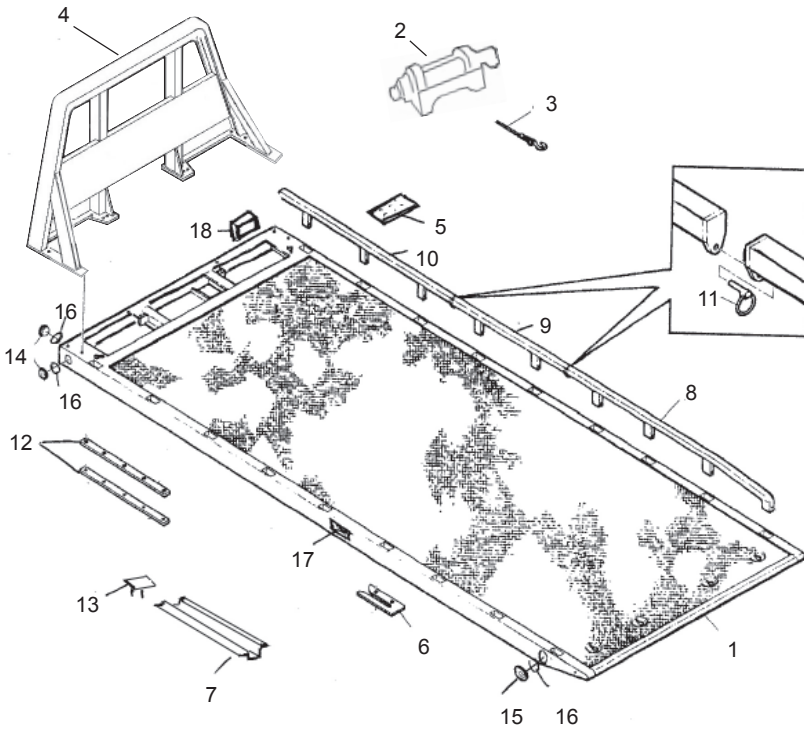
1. **Manual Number & Date of Publication**
2. **Manual Page Number**
3. **Page Title**
4. **Reference Number of Part Desired**
5. **Part Number**
6. **Part Description**
7. **Quantity of Part Desired**

Providing this information will help ensure that the correct parts will be delivered to you in an expedient manner without delay. Should additional information be required for repair or replacement of certain components, contact **Miller Industries, Hermitage, PA, Phone: 724-981-3328, FAX 724-981-5260.**

The Manufacturer reserves the right, without notice or obligation, to improve or modify their products, which may change the specifications, models and feature availability.

Section VI - PARTS (cont'd)

STEEL BED ASSEMBLY



Section VI - PARTS (cont'd)

STEEL BED ASSEMBLY

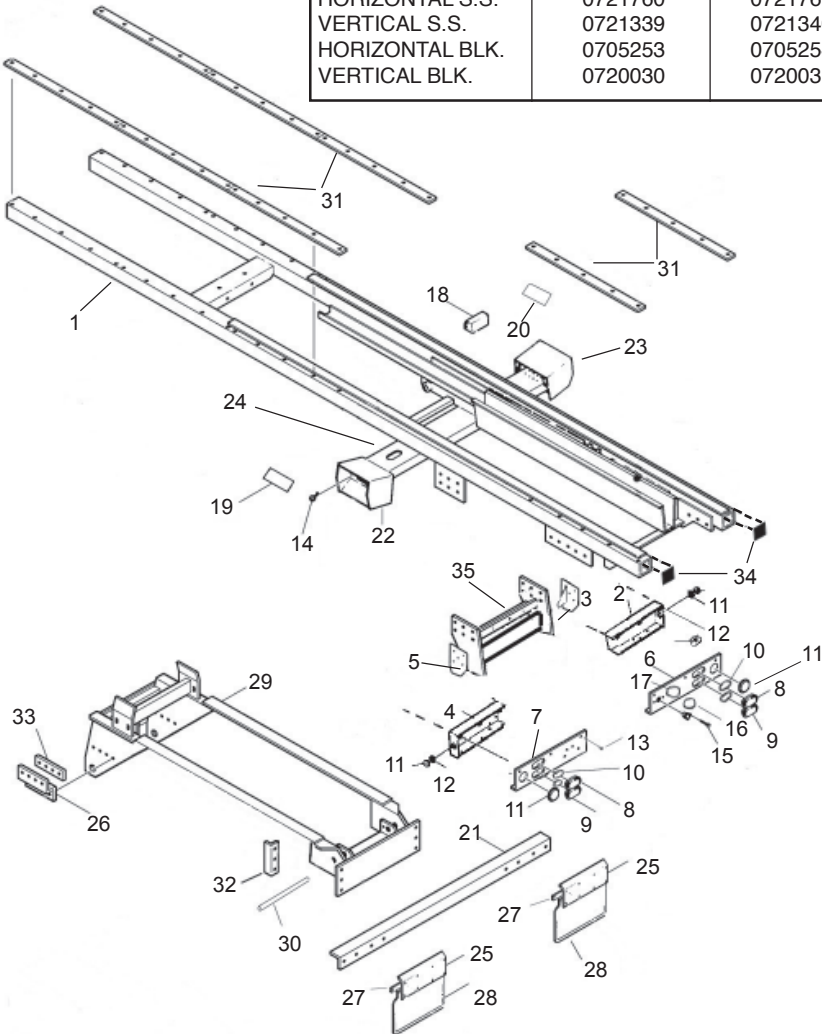
REF. NO.	NO. REQ'D	PART NUMBER	DESCRIPTION
1	1	*	CARRIER BED WELDMENT (REM. RAIL)
2	1	0306137	WINCH - 10 TON PLANETARY
3	1	0306034	WINCH CABLE ASSEMBLY
4	1	*	CAB PROTECTOR WLDMT - SPECIFY CHASSIS
5	1	0704772	COVER PLATE
6	1	0710916	ANTI-TILT PLATE
7	1	*	HOSE TRAY
8	2	0802662	REAR REMOVABLE RAIL - STEEL
9	*	0802661	MID REMOVABLE RAIL - STEEL
10	2	*	FRONT REMOVABLE RAIL - STEEL
11	*	0306070	LYNCH PIN
12	2	0302027	BEARING PAD
13	1	0805207	HOSE CLAMP WELDMENT
14	4	0301742	MARKER LIGHT, AMBER (10205Y)
15	2	0301741	MARKER LIGHT, RED (10205R)
16	6	0301740	GROMMET, ROUND RUBBER
17	2	0306336	MID BODY TURN SIGNAL
18	1	0303385	JUNCTION BOX

* CONTACT DISTRIBUTOR FOR ADDITIONAL INFORMATION

Section VI - PARTS (cont'd)

MOUNTING & TILT FRAME ASSEMBLY

BEZEL TYPE	LH	RH
HORIZONTAL S.S.	0721760	0721761
VERTICAL S.S.	0721339	0721340
HORIZONTAL BLK.	0705253	0705254
VERTICAL BLK.	0720030	0720031



Section VI - PARTS (cont'd)

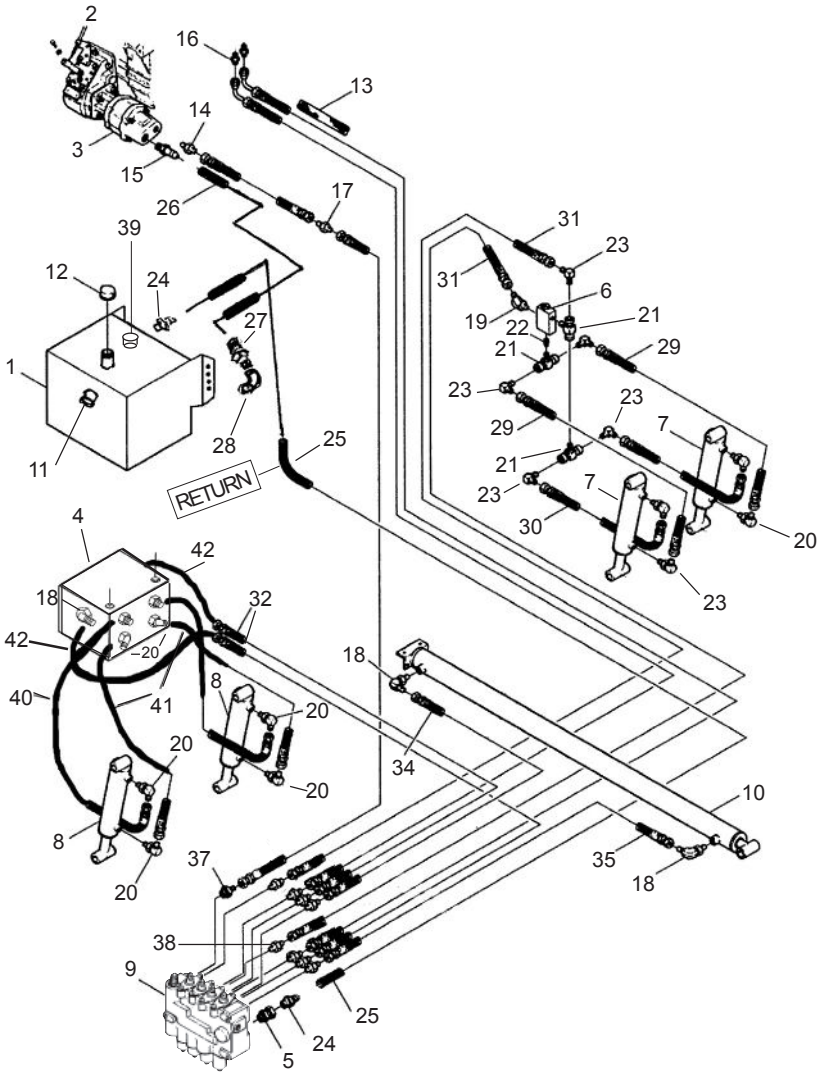
MOUNTING & TILT FRAME ASSEMBLY

REF. NO.	NO. REQ'D	PART NUMBER	DESCRIPTION
1	1	*	TILT FRAME - W/L (TANDEM AXLE) 24'
		0805165	TILT FRAME - W/L (TANDEM AXLE) 26' & UP
2	1	0809092	TAIL LIGHT HOUSING (RH)
3	1	0710784	TAIL LIGHT MTG. BKT. (RH) ALL SERIES
4	1	0809093	TAIL LIGHT HOUSING (LH)
5	1	0710783	TAIL LIGHT MTG. BKT. (LH) ALL SERIES
6	1	0721761	PLATE, LIGHT MOUNTING (RH)
7	1	0721760	PLATE, LIGHT MOUNTING (LH)
8	2	0301390	STOP & TURN LIGHT
9	2	0302201	BACK-UP LIGHT
10	4	0304127	GROMMET
11	4	0301741	MARKER LIGHT, RED
12	4	0301740	MARKER LIGHT GROMMET
13	1	0300273	LICENSE PLATE ILLUMINATOR
14	2	0300867	CONTROL PANEL ILLUMINATOR
15	1	0301671	TOW LIGHT SOCKET
16	1	0306385	BACK UP ALARM
17	1	0306386	BACK UP ALARM GROMMET
18	1	0303385	JUNCTION BOX
19	1	0500237	CONTROL STA. DECAL, 4 SPOOL (LH)
20	1	0500236	CONTROL STA. DECAL, 4 SPOOL (RH)
21	1	0710985	MUD FLAP ANGLE
22	1	0801557	CONTROL BOX HOOD WLMT (LH)
23	1	0801558	CONTROL BOX HOOD WLMT (RH)
24	1	0702526	CONTROL BOX SUPP. CHANNEL (LONG)
	1	0909417	ITEMS #25, 26, 27 COMPLETE ASSY.
25	2	0704326	MUD FLAP MTG. BKT.
26	2	0805188	MOUNTING BRKT. WLMT.
27	2	0750340	BAR, MUD FLAP SUPPORT (S.S.)
28	2	*	MUD FLAP 24" x 24"
29	1	0805171	MOUNTING FRAME (TANDEM)
30	1	0720257	PIN, PIVOT (TANDEM AXLE)
31	*	0306021	BEARING PAD
32	2	0704378	MOUNTING ANGLE
33	2	0704152	SPACER, MOUNTING BRACKET
34	2	0805266	END CAP WELDMENT
35	1	0802101	STABILIZER WELDMENT

* CONTACT DISTRIBUTOR FOR ADDITIONAL INFORMATION

Section VI - PARTS (cont'd)

HYDRAULICS



NOTE: SIZE OF COMPONENTS SHOWN ARE FOR ILLUSTRATION ONLY.

Section VI - PARTS (cont'd)

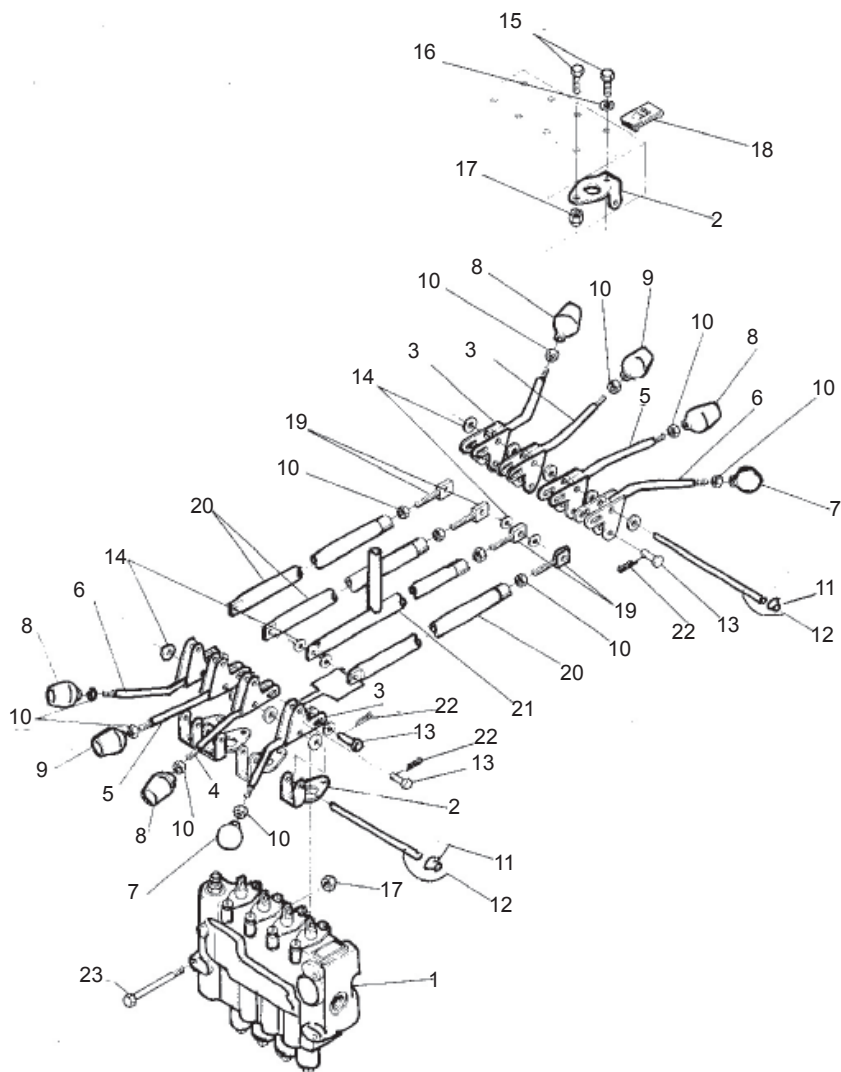
HYDRAULICS

REF. NO.	NO. REQ'D	PART NUMBER	DESCRIPTION
1	1	0805187	OIL RESERVOIR (24' & UP)
2	1	*	PTO
3	1	0306031	PUMP (15 GPM)
4	1	0306132	BED TILT CYLINDER LOCK VALVE
5	1	0308393	HYD. FITTING 3/4" MORB x 3/4" FP
6	1	0301731	LOCK VALVE
7	2	0302867	CYLINDER, DOCK STABILIZER UP/DN
8	2	0308520	CYLINDER, BED TILT
9	1	0300011	VALVE BODY, 4 SPOOL
10	1	0306016	CYLINDER, BED EXTEND
11	1	0306023	SIGHT GLASS
12	1	0702741	CAP, OIL RESERVOIR
13	*	0306338	SKUFF JACKET
14	1	0302757	HYDRAULIC FITTING 8MJ-16MB
15	1	0300492	HYDRAULIC FITTING 1" HOSE BARB (MB)
16	6	0300041	HYDRAULIC FITTING 8MJ-8MB
17	1	0300865	HYDRAULIC FITTING 8MJ-8MJ
18	4	0301388	HYDRAULIC FITTING 8MJ-8MB 90 DEG.
19	1	0301848	HYDRAULIC FITTING 6MJ-6MP 45 DEG.
20	10	0306143	HYDRAULIC FITTING 6MJ-6MB 90 DEG.
21	3	0301868	HYDRAULIC FITTING 4FP-4FP-4MP BRANCH "T"
22	1	0306117	HEX BUSHING 3/8" x 1/4" (151157X)
23	5	0300142	HYDRAULIC FITTING 6MJ-4MP 90 DEG.
24	2	0308296	LOCK ON STEM, 3/4" MALE NPT
25	1	0704366	HOSE RETURN 3/4" x 20' LONG
26	1	0306080	HOSE SUCTION 1" x 11' LONG
27	1	0300056	HYDRAULIC FITTING 1" HOSE BARB (MP)
28	1	0300692	HYDRAULIC FITTING 1" 90 DEG. STREET ELL
29	2	0306109	HOSE 4M2T-6FJX-6FJX 1/4 x 21
30	2	0301660	HOSE 4M3K 6FJX-6FJX 1/4 x 21
31	2	0301403	HOSE 4M3K 6FJX-6FJX 1/4 x 80
32	2	0308497	HOSE 8M3K 8FJX-8FJX 1/2 x 175
33	2	0301478	HOSE 4M3K 6FJX-6FJX 1/4 x 60
34	1	0301658	HOSE 8M3K 8FJX-8FJX 1/2 x 128
35	1	0306071	HOSE 8M3K 8FJX-8FJX 1/2 x 58
36	1	0301662	HOSE 6M3K 6FJX-6FJX 3/8 x 120
37	2	0300789	HYDRAULIC FITTING 8MJ-10MB
38	1	0300044	HYDRAULIC FITTING 6MJ-8MB
39	1	9018399	IMMERSION FILTER ASSY
	1	9018309	IMMERSION FILTER ELEMENT
40	2	0302035	HOSE 6M3K 6FJX-6FJX 3/8 x 18
41	2	0302249	HOSE 6M3K 6FJX-6FJX 3/8 x 46
42	2	0301424	HYDRAULIC FITTING 6MJ-4MP

* CONTACT DISTRIBUTOR FOR ADDITIONAL INFORMATION

Section VI - PARTS (cont'd)

CONTROL & CROSSROD ASSEMBLY



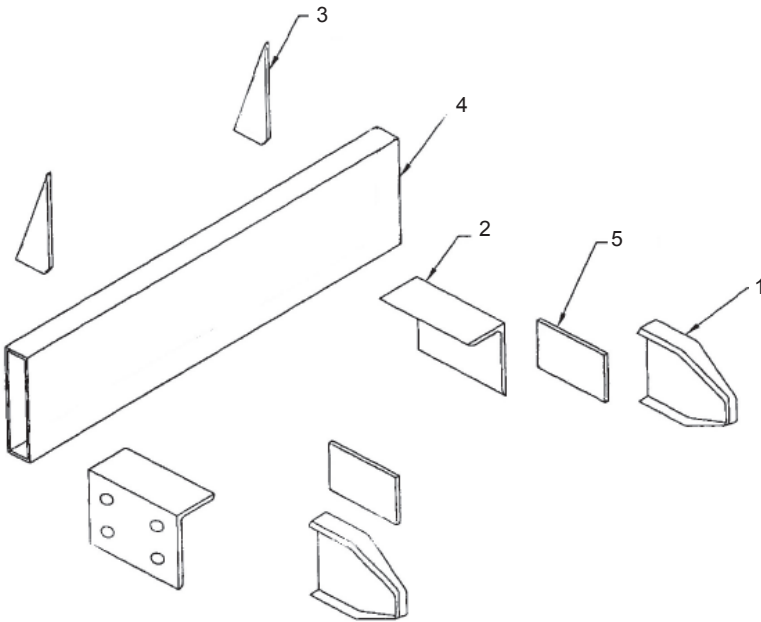
Section VI - PARTS (cont'd)

CONTROL & CROSSROD ASSEMBLY

REF. NO.	NO. REQ'D	PART NUMBER	DESCRIPTION
1	1	0300011	4-SPOOL CONTROL VALVE
2	8	0301638	BRACKET, CONTROL HANDLE
3	2	0809138	REAR OUTER CONTROL HANDLE
4	2	0809137	REAR INNER CONTROL HANDLE
5	2	0809135	FWD. INNER CONTROL HANDLE
6	2	0809136	FWD. OUTER CONTROL HANDLE
7	2	0301720	KNOB, BALL
8	4	0300341	KNOB
9	2	0300834	KNOB, "IN-OUT" RED (CABLE)
10	12	0400393	NUT, 3/8" - 16 JAM
11	4	0306122	END CAP, CONTROL HANDLE ROD
12	2	0702983	CONTROL HANDLE ROD, 5/16" DIA. x 6-1/8" LG.
13	12	0400532	CLEVIS PIN, 5/16" DIA. x 1" LG.
14	25	0400465	WASHER, 5/16" FLAT
15	8	0400126	SCREW, 3/8" - 16 x 1" HEX HEAD
16	4	0400482	LOCKWASHER, 3/8" HELICAL
17	7	0400392	NUT, 3/8" - 16 NYLON LOCK
18	4	0400243	NUT, 3/8" - 16 TINNEMAN "J"
19	4	0800800	CONTROL ROD LINK
20	3	0806111	VALVE SHIFTER
21	1	0806112	VALVE SHIFTER, ANTI TILT
22	12	0400543	COTTER PIN, 1/8" x 3/4" LG.
23	3	0400140	SCREW, 3/8" - 16 x 4 LG. HEX HD.

Section VI - PARTS (cont'd)

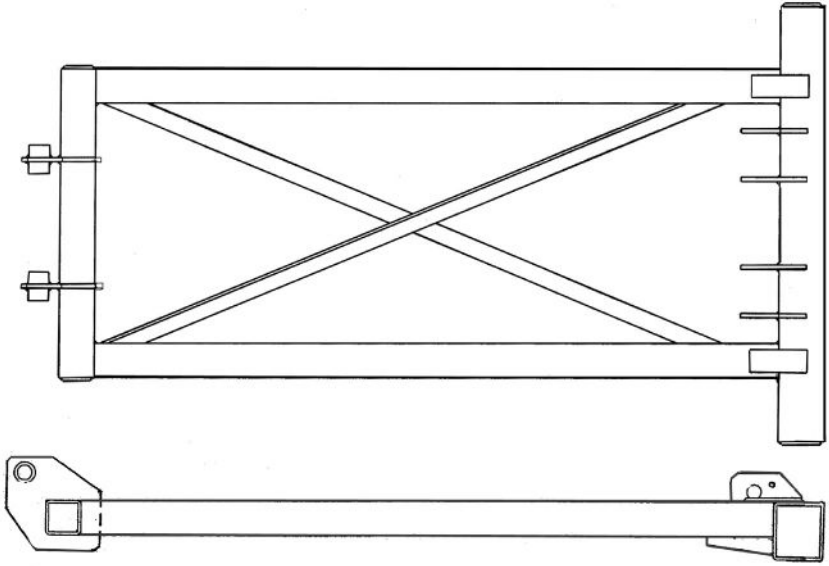
BED LOCK ASSEMBLY



REF. NO.	NO. REQ'D	PART NUMBER	DESCRIPTION
1	2	0805164	BULLET WELDMENT
2	2	0710990	MOUNTING ANGLE
3	2	0710991	BODY LOCK GUSSET
4	1	0710992	BODY LOCK BASE TUBE
5	2	0720288	STIFFENER PLATE
6	1	0805192	BED LOCK ASSEMBLY

Section VI - PARTS (cont'd)

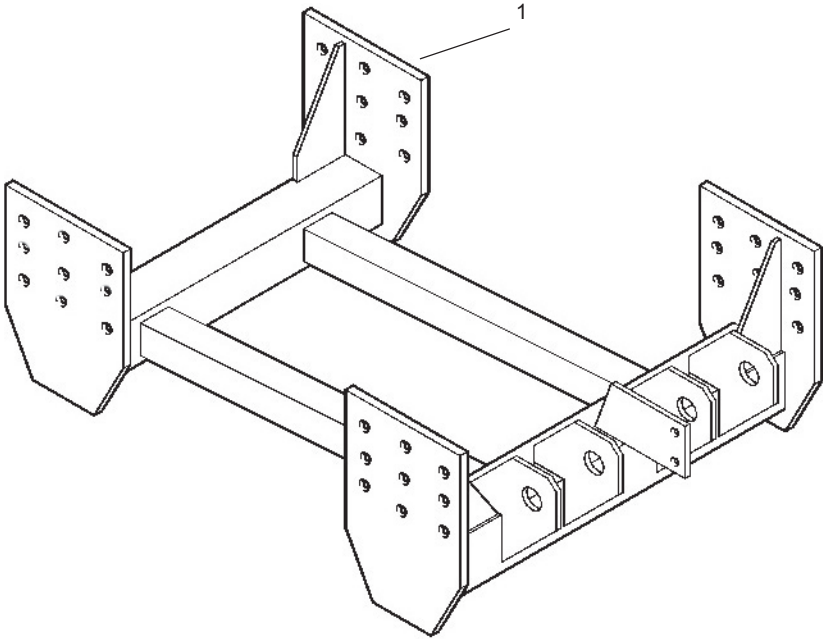
DOCK STABILIZER ASSEMBLY



REF. NO.	PART NUMBER	DESCRIPTION
1	0805191	DOCK STABILIZER WELDMENT (20/30S)

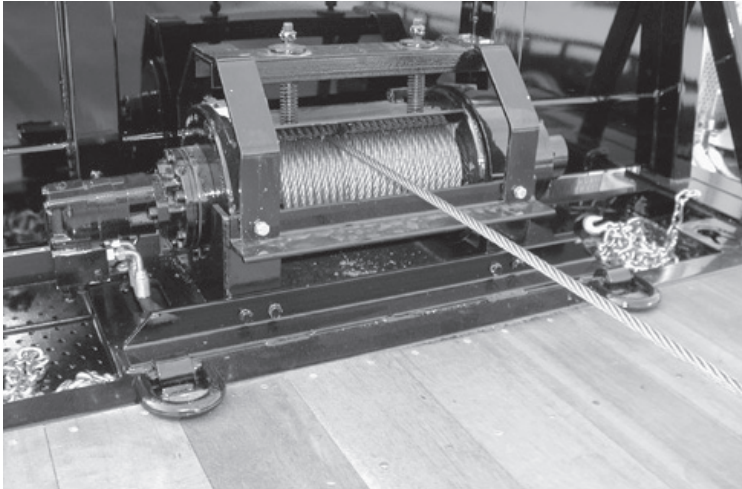
Section VI - PARTS (cont'd)

DOCK STABILIZER MOUNTING BRACKET



REF. NO.	NO. REQ'D	PART NUMBER	DESCRIPTION
1	1	0801861	MOUNTING BRACKET

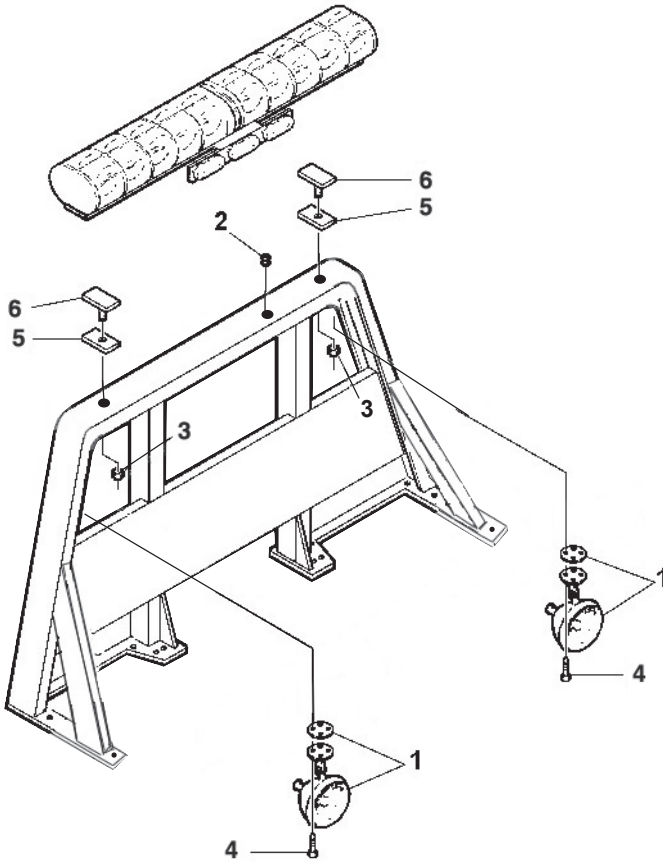
Section VI - PARTS (cont'd)
HYDRAULIC WINCH
20,000 LB. PLANETARY



REF. NO.	PART NUMBER	DESCRIPTION
1	0306137	20,000 LB. PLANETARY WINCH

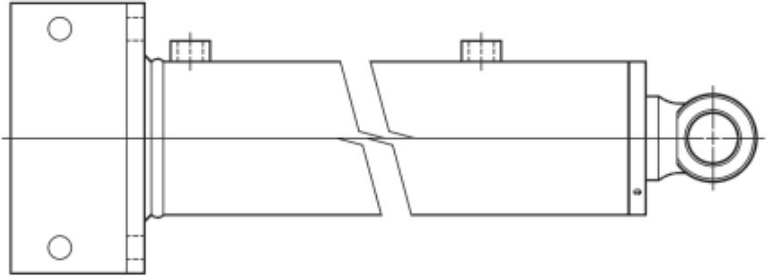
Section VI - PARTS (cont'd)

OPTIONAL LIGHTING ACCESSORIES

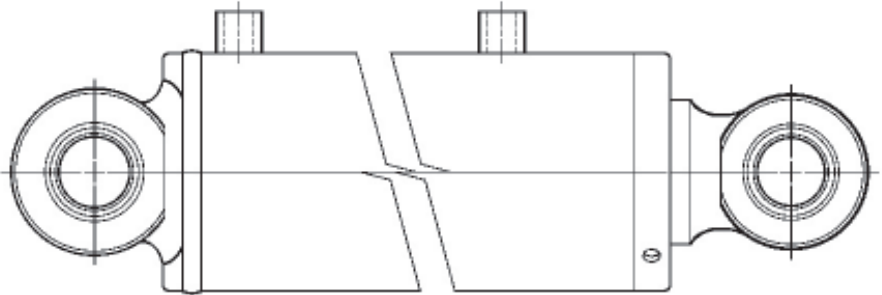


REF. NO.	NO. REQ'D	PART NUMBER	DESCRIPTION
1	2	124001001	SPOT LIGHT W/GASKET
2	2	0300897	GROMMET, RUBBER
3	2	0400392	NUT, 3/8"-16 NYLOK
4	8	0400043	#10-24 X 1" MACHINE SCREW
5	2	0709872	RUBBER CUSHION
6	2	0800539	"T" BOLT ADAPTER

Section VI - PARTS (cont'd) HYDRAULIC CYLINDERS



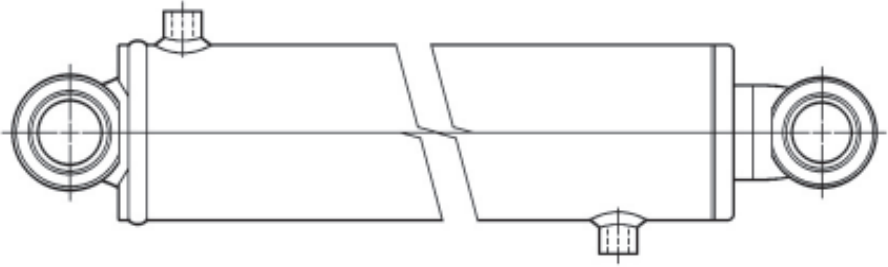
REF. NO.	NO. REQ'D	PART NUMBER	DESCRIPTION
1	1	0306016	CYLINDER, BED EXTEND
2	1	0308391	SEAL KIT, BED EXTEND CYLINDER



REF. NO.	NO. REQ'D	PART NUMBER	DESCRIPTION
1	2	0308520	CYLINDER, BED TILT - 24' AND LONGER
2	1	0308391	SEAL KIT, BED TILT CYLINDER

Section VI - PARTS (cont'd)

HYDRAULIC CYLINDERS

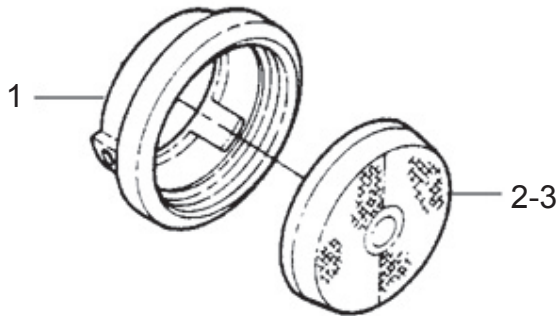


REF. NO.	NO. REQ'D	PART NUMBER	DESCRIPTION
1	2	0302867	CYLINDER, DOCK STABILIZER
2	1	0308385	SEAL KIT

Section VI - PARTS (cont'd) LIGHT KIT



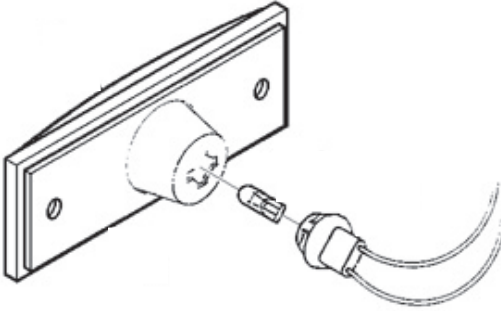
REF. NO.	PART NUMBER	DESCRIPTION
1	0301390	LIGHT, SEALED RED (STOP & TURN)
2	0302201	LIGHT, SEALED WHITE (BACK-UP)
3	0304127	TAIL LIGHT GROMMET



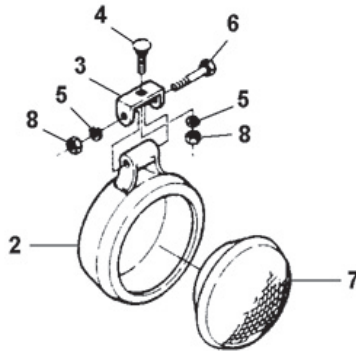
REF. NO.	PART NUMBER	DESCRIPTION
1	0301740	MARKER LIGHT GROMMET
2	0301741	LIGHT, SEALED MARKER (RED)
3	0301742	LIGHT, SEALED MARKER (AMBER)

Section VI - PARTS (cont'd)

LIGHT KIT



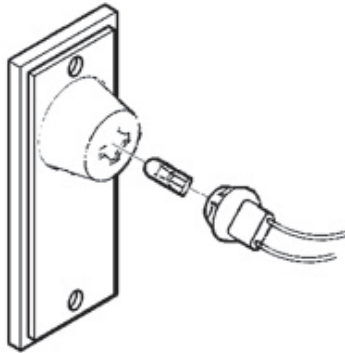
REF. NO.	PART NUMBER	DESCRIPTION
1	0300507	BULB, MARKER LIGHT
2	0306120	LENS & HOUSING, RECTANGULAR MARKER
3	0306121	PIGTAIL, MARKER LIGHT 12"
4	0306122	RUBBER GASKET
5	GP132	LIGHT, AMBER MARKER, RECTANGULAR (COMPLETE)
	GP131	LIGHT, RED MARKER, RECTANGULAR (COMPLETE)



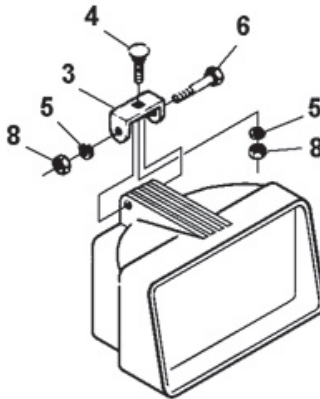
REF. NO.	PART NUMBER	DESCRIPTION
1	0303109	WORK LIGHT (COMPLETE)
2	0304146	HOUSING, WORK LIGHT
3	0304148	MOUNTING BRACKET
4	0304149	MOUNTING SCREW
5	0304150	LOCKWASHER
6	0304151	PIVOT SCREW
7	0304152	BULB, WORK LIGHT
8	0304153	NUT

Section VI - PARTS (cont'd)

LIGHT KIT

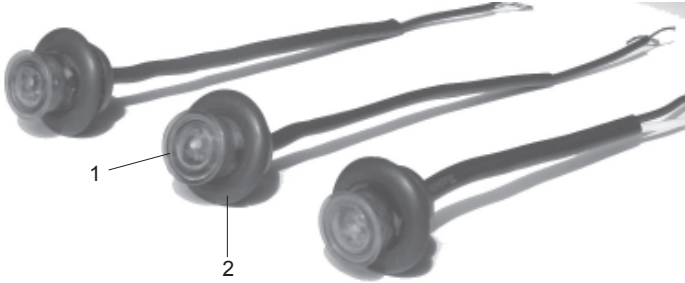


REF. NO.	PART NUMBER	DESCRIPTION
1	LT0118 LT0119	LIGHT, AMBER MARKER, RECTANGULAR (COMPLETE) LIGHT, RED MARKER, RECTANGULAR (COMPLETE)

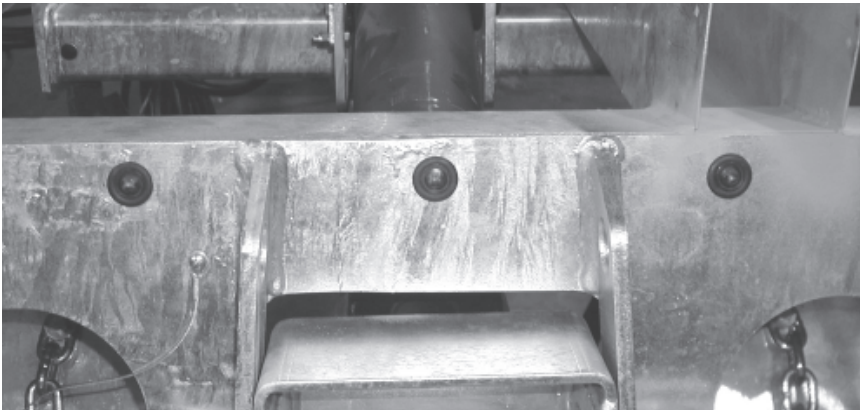


REF. NO.	PART NUMBER	DESCRIPTION
1	174008003	RECTANGULAR WORK LIGHT (COMPLETE)
2	0304146	HOUSING, WORK LIGHT
3	0304148	MOUNTING BRACKET
4	0304149	MOUNTING SCREW
5	0304150	LOCKWASHER
6	0304151	PIVOT SCREW
7	0304152	BULB, WORK LIGHT
8	0304153	NUT

Section VI - PARTS (cont'd) LIGHT KIT

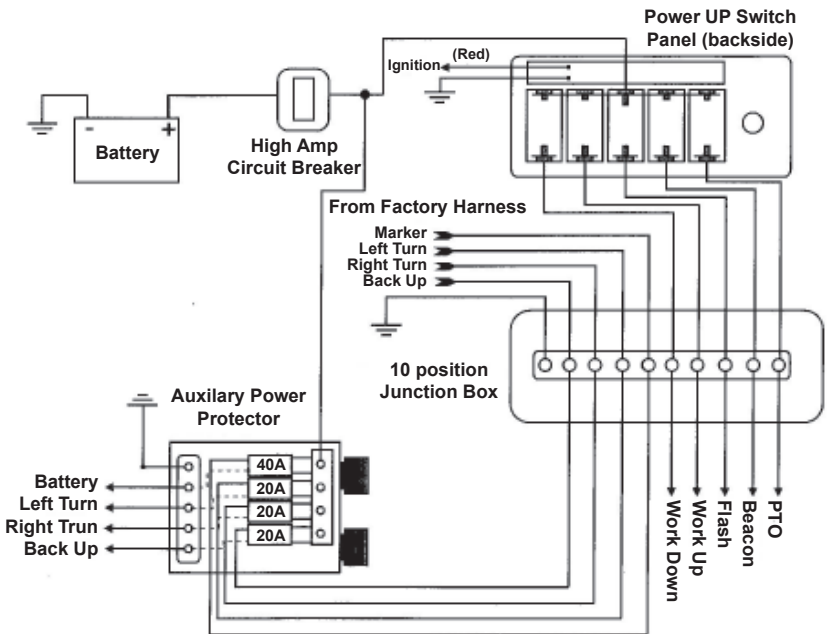


REF. NO.	PART NUMBER	DESCRIPTION
1	0308502	LED MARKER LIGHT
2	0308503	GROMMET



Section VI - PARTS (cont'd)

OPTIONAL DASHBOARD PANEL



CENTURY®

A Division of Miller Industries Towing Equipment Inc.

8503 Hilltop Drive • Ooltewah, Tennessee 37363 • (615) 238-4171

Mailing Address: P.O. Box 120 • Ooltewah, Tennessee 37363 • Telex: 856967 CENWKRTN UD