

CENTURY®

LEGENDARY LEADERSHIP



OWNER'S MANUAL 211 / 212

INSTALLATION, OPERATION, MAINTENANCE & PARTS

NOTE: MANUAL including SPECIFICATIONS, subject to change without notice
All ratings specified are based on structural factors only,
not vehicle capacities or capabilities.

CENTURY®

A Division of Miller Industries Towing Equipment Inc.

8503 Hilltop Drive

Ooltewah, Tennessee 37363

FORM NO. 0500659

11 / 97

Phone (423) 238-4171 • FAX (423) 238-5371

PRICE \$25.00

LIMITED WARRANTY

MILLER INDUSTRIES TOWING EQUIPMENT INC., hereinafter referred to as MILLER, warrants to the original purchaser that each new MILLER wrecker or other MILLER products will be free from defects in material and workmanship for a period of twelve (12) months from date placed in service, but in no event shall such warranty period exceed twenty-four (24) months from date of manufacture by MILLER. The purchaser must promptly notify MILLER in writing of any failure in material or workmanship. In no event shall MILLER accept such notification later than twenty-four (24) months from date of delivery or twelve (12) months from date placed in service, whichever is earlier.

MILLER's obligation under this warranty, statutory or otherwise, is limited to the repair or replacement at the MILLER factory, or at a point designated by MILLER, of such part or parts as shall appear upon inspection by MILLER to be defective in material or workmanship. New or remanufactured parts will be used for any replacement at MILLER's option. This warranty is not transferable. This warranty does not obligate MILLER to bear the cost of labor or transportation charges in connection with the repair or replacement of any parts found to be defective, nor shall it apply to a product upon which repairs or alterations have been made unless authorized by MILLER.

EXCEPT AS EXPRESSLY SET FORTH IN THIS WARRANTY, MILLER MAKES NO OTHER WARRANTY, EXPRESS OR IMPLIED, AND HEREBY DISCLAIMS ALL OTHER WARRANTIES INCLUDING, BUT NOT LIMITED TO, THE IMPLIED WARRANTIES OF MERCHANTABILITY AND FITNESS FOR A PARTICULAR PURPOSE. MILLER shall in no event be liable for claimed downtime, claimed loss of profits or goodwill, or any other special, incidental, indirect, or consequential damages concerning or relating to any product or parts, whether based on negligence, strict liability, breach of contract, breach of warranty, misrepresentation or any other legal theory, regardless of whether the loss resulted from any general or particular requirement which MILLER knew or had reason to know about at the time of sale.

MILLER MAKES NO WARRANTY, EXPRESS OR IMPLIED, AS TO THE FINISHED PRODUCTS MANUFACTURED OR SUPPLIED BY ANOTHER MANUFACTURER AND SUPPLIED BY MILLER TO PURCHASER, including, but not limited to, any vehicle to which a MILLER product may be affixed or any accessories or wire rope, and MILLER EXPRESSLY DISCLAIMS ANY IMPLIED WARRANTIES OF MERCHANTABILITY OR FITNESS FOR A PARTICULAR PURPOSE AS TO SUCH EQUIPMENT OR PRODUCTS. This language shall in no way affect or diminish the rights of the purchaser to rely on such warranties as are extended by such manufacturers or suppliers. MILLER shall, to the extent permitted under applicable law, pass on to the purchaser such manufacturer's or seller's warranty.

MILLER, whose policy is one of continuous improvement, reserves the right to improve its products through changes in design or materials as it may deem desirable without being obligated to incorporate such changes in products previously sold. This warranty is not intended to cover or include the following items, which are set forth by way of example and not limitation:

- A. Normal deterioration of trim, paint, lettering, and appearance items due to wear or exposure to weather, road conditions, road treatments, etc.
- B. Any damage or defect due to accident, misuse, abuse, improper or unauthorized repairs, failure to provide reasonable and necessary maintenance, or uses for which the equipment was not designed or intended.
- C. Alterations or modifications that affect performance, operation or reliability.
- D. Normal maintenance parts including, but not limited to, wear pads, bushings, wire rope, mud flaps, fenderettes, light bulbs, hydraulic oil, filters, and tow sling belts.

IT IS EXPRESSLY UNDERSTOOD THAT MILLER MAKES NO IMPLIED WARRANTY THAT MILLER PRODUCTS SHALL BE FIT FOR THE PURPOSE OF LIFTING OR MOVING PEOPLE OR FOR ANY OTHER IMPROPER USE.



Miller Industries Towing Equipment Inc.
8503 Hilltop Drive
Ooltewah, Tennessee 37363

SERIAL NUMBER

Telephone (423) 238-4171

Section VI - PARTS

This Section is provided by the manufacturer for the purpose of ordering any component part of the **CENTURY 211 or 212 WRECKER** that may be required when part replacement is necessary. Be certain to use only original equipment replacement parts for warranty purposes as well as for keeping your **CENTURY 211 or 212 WRECKER** in its original state and optimum operating capacities.

When ordering replacement or spare parts be sure to provide the following information to the manufacturer's **Parts Department**.

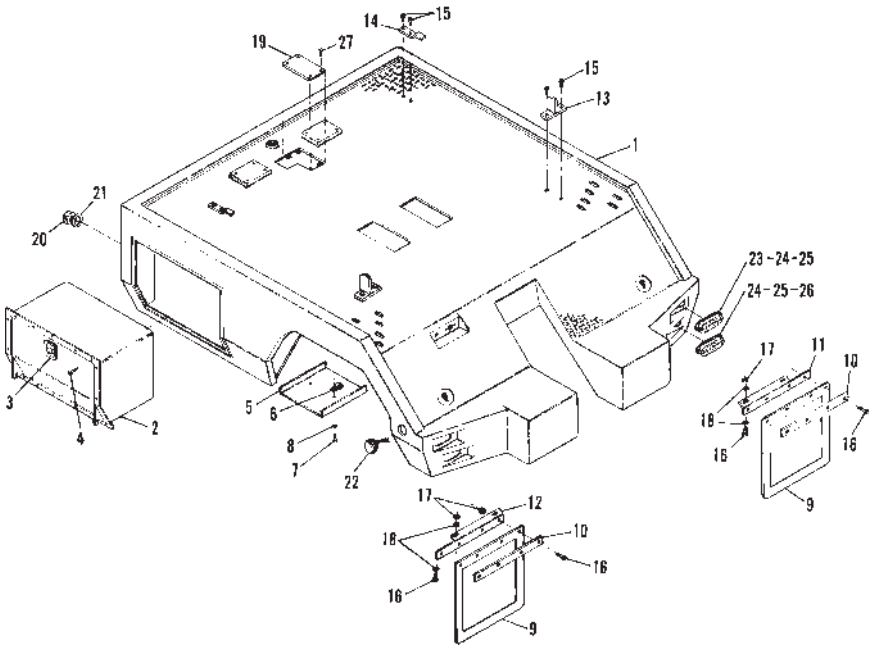
1. **Manual Number & Date of Publication**
2. **Manual Page Number**
3. **Page Title**
4. **Reference Number of Part Desired**
5. **Part Number**
6. **Part Description**
7. **Quantity of Part Desired**

Providing this information will help ensure that the correct parts will be delivered to you in an expedient manner without delay. Should additional information be required for repair or replacement of certain components, contact your Wrecker Manufacturer Authorized Representative.

The Manufacturer reserves the right, without notice or obligation, to improve or modify their products, which may change the specifications, models and feature availability.

Section VI - PARTS (cont'd)

BODY ASSEMBLY - 86" WIDE



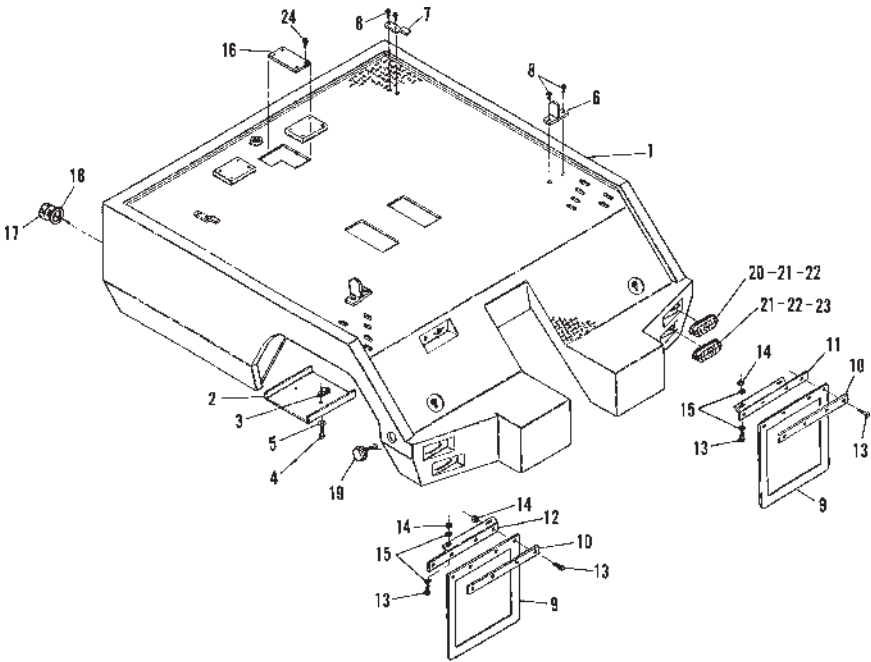
Section VI - PARTS (cont'd)

BODY ASSEMBLY - 86" WIDE

REF. NO.	NO. REQ'D	PART NUMBER	DESCRIPTION
1	1	0802629	BODY WELDMENT, 60 C.A.
2	1	0801258	TOOLBOX, 32"
3	1	0302855	LATCH, TOOL COMPARTMENT, PLAIN
4	16	0400567	RIVET, 1/8" X 1/4" POP
5	2	0704516	GUARD, CONTROL STATION
6	4	0400370	CLIP, 1/4" "U" TINNEMAN
7	4	0400066	SCREW, 1/4"-20 X 3/4" HEX HD CAP GR5 ZP
8	4	0400452	LOCKWASHER, 1/4" HELICAL
9	2	0302173	MUD FLAP
10	2	0705092	BAR, MUD FLAP
11	1	0708809	MUD FLAP MOUNTING ANGLE, RIGHT
12	1	0708810	MUD FLAP MOUNTING ANGLE, LEFT
13	2	0802712	STORAGE BRACKET WELDMENT
14	2	0707510	STORAGE BRACKET
15	8	0400062	SCREW, 1/4"-20 X 3/4" THRD CUTTING
16	12	0400122	SCREW, 3/8"-16 X 1-1/4" HEX HD CAP GR5 ZP
17	12	0400392	NUT, 3/8"-16 HEX NYLOK
18	8	0400480	WASHER, 3/8" FLAT
19	1	0708931	ACCESS COVER
20	2	0301742	SEALED MARKER LIGHT, AMBER
21	4	0301740	GROMMET MOUNTING KIT W/ PLUG
22	2	0301741	SEALED MARKER LIGHT, RED
23	2	0301390	STOP & TURN LIGHT BODY
24	4	0304124	STOP & TURN BEZEL
25	8	0304123	SCREW FOR BEZEL
26	2	0302201	BACKUP LIGHT
27	4	0400233	SCREW, 5/16"-18 X 1/2" HEX HD CAP GR5 ZP

Section VI - PARTS (cont'd)

BODY ASSEMBLY - 80" WIDE



Section VI - PARTS (cont'd)

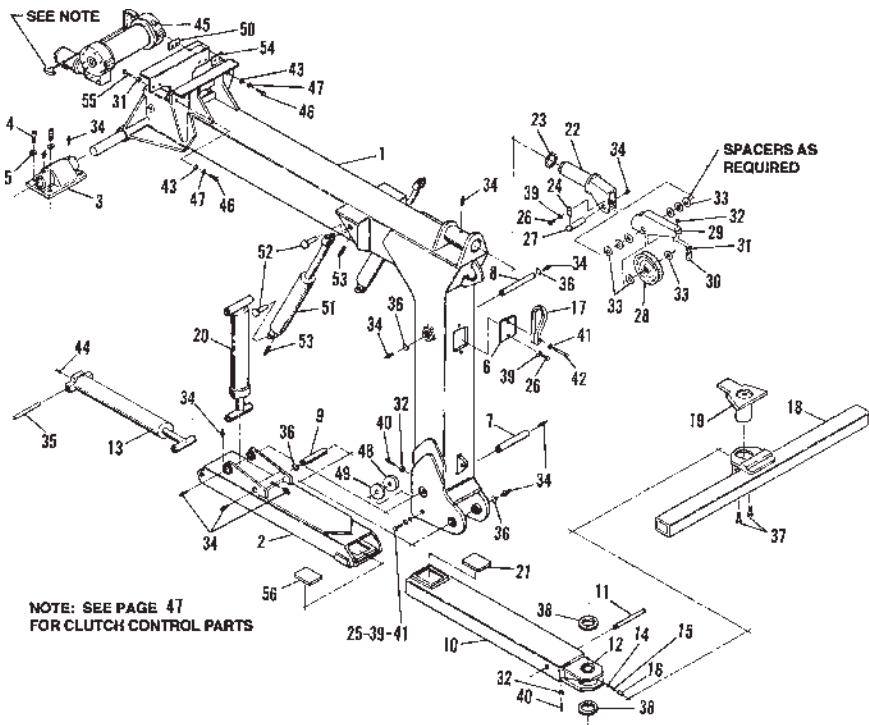
BODY ASSEMBLY - 80" WIDE

REF. NO.	NO. REQ'D	PART NUMBER	DESCRIPTION
1	1	0802637	BODY WELDMENT, 60 C.A. NARROW
2	2	0704516	GUARD, CONTROL STATION
3	4	0400370	CLIP, 1/4" "U" TINNEMAN
4	4	0400066	SCREW, 1/4"-20 X 3/4" HEX HD CAP GR5 ZP
5	4	0400452	LOCKWASHER, 1/4" HELICAL
6	2	0302173	MUD FLAP
7	2	0705092	BAR, MUD FLAP
8	1	0708809	MUD FLAP MOUNTING ANGLE, RIGHT
9	1	0708810	MUD FLAP MOUNTING ANGLE, LEFT
10	2	0802712	STORAGE BRACKET WELDMENT
11	2	0707510	STORAGE BRACKET
12	8	0400062	SCREW, 1/4"-20 X 3/4" THRD CUTTING
13	12	0400122	SCREW, 3/8"-16 X 1-1/4" HEX HD CAP GR5 ZP
14	12	0400062	NUT, 3/8"-16 HEX NYLON
15	8	0400480	WASHER, 3/8" FLAT
16	1	0708931	ACCESS COVER
17	2	0301742	SEALED MARKER LIGHT, AMBER
18	4	0301740	GROMMET MOUNTING KIT W/ PLUG
19	2	0301741	SEALED MARKER LIGHT, RED
20	2	0301390	STOP & TURN LIGHT BODY
21	4	0304124	STOP & TURN BEZEL
22	8	0304123	SCREW FOR BEZEL
23	2	0302201	BACKUP LIGHT
24	4	0400233	SCREW, 5/16"-18 X 1/2" HEX HD CAP GR5 ZP

Section VI - PARTS (cont'd)

BOOM & UNDERLIFT ASSEMBLY - 211

(Continued on Page VI-8)



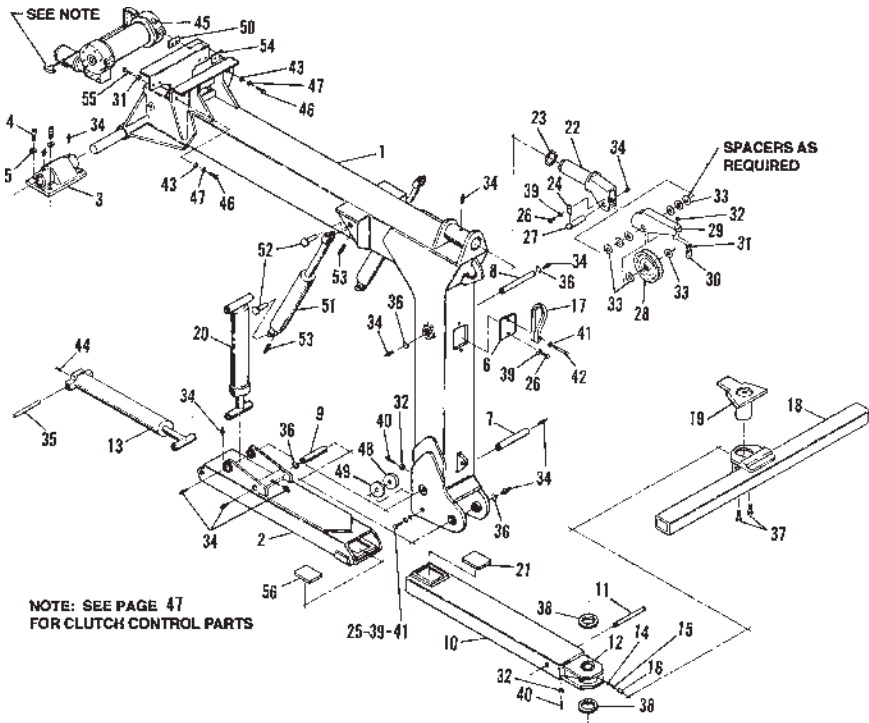
Section VI - PARTS (cont'd)
BOOM & UNDERLIFT ASSEMBLY - 211
(Continued on Page VI-9)

REF. NO.	NO. REQ'D	PART NUMBER	DESCRIPTION
1	1	0802537	MAIN BOOM WELDMENT
2	1	0802510	OUTER BOOM WELDMENT-UNDERLIFT
3	2	03000B-28	TRUNION PIVOT WELDMENT
4	8	0400249	SCREW, 5/8"-11 X 1-1/4" SKT HD CAP
5	8	0400508	WASHER, 5/8" HELICAL LOCK
6	1	0708519	PLATE, COVER-BOOM UPPER
7	1	0708407	SHAFT, LOWER-TILT CYLINDER
8	1	0708408	SHAFT, UPPER-TILT CYLINDER
9	1	0708409	SHAFT, PIVOT BOOM
10	1	0802480	INNER BOOM WELDMENT
11	1	0702131	SHAFT, INNER TUBE CYLINDER
12	1	0301914	BEARING, INNER BOOM
13	1	0301825	CYLINDER, EXTEND
14	1	0301398	BALL, 1-3/16" DIA STEEL
15	1	0301197	SPRING, CROSSBAR COMPRESSION
16	1	0702546	SPACER, DETENT BALL
17	1	0301533	STRAP, 15" TIE DOWN
18	1	0801074	CROSSBAR, INNER
19	1	0802597	PIVOT PIN WELDMENT
20	1	0302919	CYLINDER, UNDERLIFT FOLD
21	1	0301850	SLIDE PAD, NYLATRON
22	1	0800003	SWIVEL, BOOM END
23	1	0300108	SNAP RING, 2-1/2" DIA EXTERNAL
24	1	0700032	SHAFT RETAINER
25	2	0400070	SCREW, 1/4"-20 X 1" HEX HD CAP GR5 ZP
26	2	0400060	SCREW, 1/4"-20 X 1/2" HEX HD CAP GR5
27	1	0700056	SHAFT, SHEAVE
28	1	0300022	SHEAVE, 6"

Section VI - PARTS (cont'd)

BOOM & UNDERLIFT ASSEMBLY - 211

(Continued from Page VI-6)

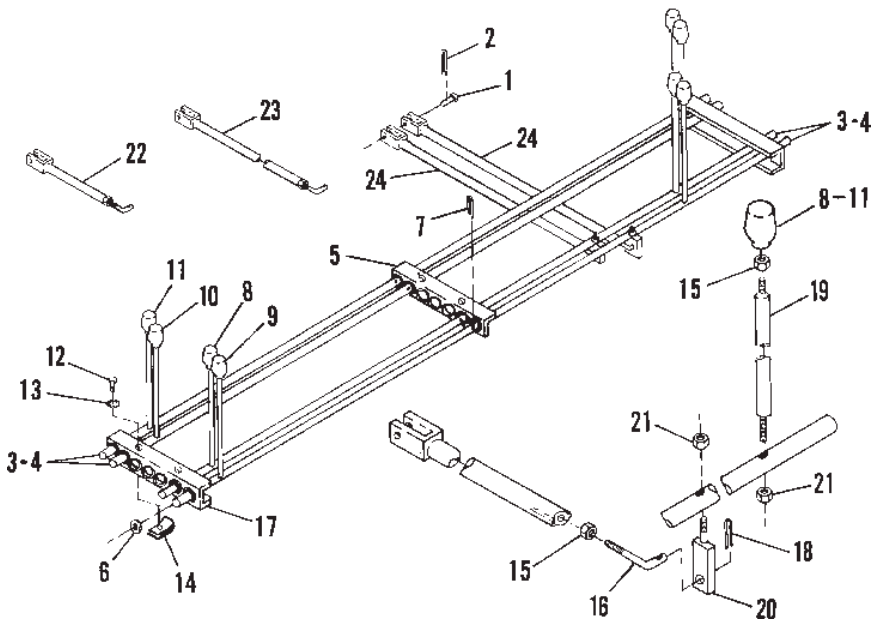


Section VI - PARTS (cont'd)
BOOM & UNDERLIFT ASSEMBLY - 211
(Continued from Page VI-7)

REF. NO.	NO. REQ'D	PART NUMBER	DESCRIPTION
29	1	0800735	GUIDE, CABLE
30	1	0301531	"U" BOLT (FROM 3/8" CABLE CLAMP)
31	2	0400393	NUT, 3/8"-16 HEX JAM
32	4	0400392	NUT, 3/8"-16 HEX NYLOK
33	2	0700166	WASHER, SPACER
34	12	0300113	GREASE FITTING, ALEMITE
35	1	0703345	SHAFT, EXTEND CYLINDER
36	4	AWS-3022-A	SNAP RING
37	2	0701956	SCREW, OUTER CROSS TUBE RET.
38	2	0703640	WASHER, THRUST
39	4	0400452	LOCKWASHER, 1/4" ZP
40	2	0400139	SCREW, 3/8"-16 X 1-1/2" HEX SKT SET
41	3	0400451	WASHER, 1/4" FLAT ZP
42	1	0400078	SCREW, 1/4"-20 X 2" HEX HD CAP GR5 ZP
43	6	0400480	WASHER, 3/8" FLAT ZP
44	1	0400120	SCREW, 1/4"-20 X 1/2" ALLEN HD SET
45	1	0302936	WINCH ASSEMBLY, RAMSEY (LESS MOTOR)
46	7	0400122	SCREW, 3/8"-16 X 1-1/4" HEX HD CAP GR5 ZP
47	7	0400482	LOCKWASHER, 3/8" HELICAL
48	2	0708406	PAD, GUIDE
49	6	0708410	SHIM, GUIDE PAD
50	2	0706668	SHIM, WINCH MOUNTING
51	2	IT-27B	BOOM ELEVATION CYLINDER
52	4	BK-518	PIN, BOOM CYLINDER
53	4	BK-519	HAIR PIN, BOOM CYLINDER PIN
54	2	0708518	SPACER BLOCK
55	1	0400150	SCREW, 3/8"-16 X 2-1/2" HEX HD CAP GR5 ZP
56	1	0303018	SLIDE PAD, NYLATRON

Section VI - PARTS (cont'd)

CONTROL & CROSSROD ASSEMBLY - 211



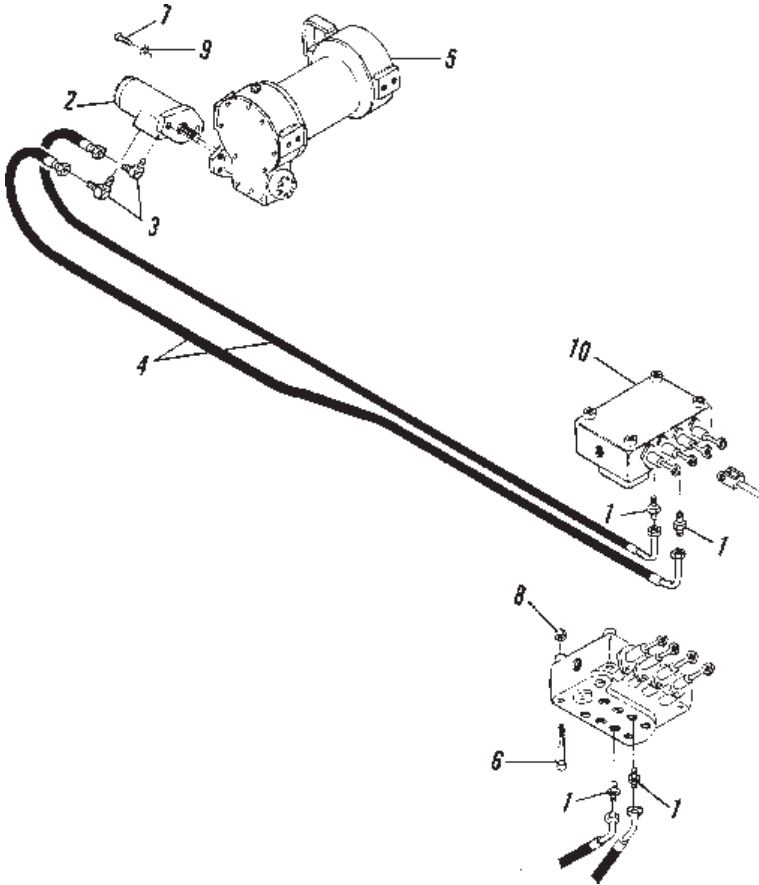
Section VI - PARTS (cont'd)

CONTROL & CROSSROD ASSEMBLY - 211

REF. NO.	NO. REQ'D	PART NUMBER	DESCRIPTION
1	4	0400527	CLEVIS PIN, 5/16" DIA COTTERLESS SS
2	4	0400541	COTTER PIN, 1/16" X 3/4"
3	4	0704529	CROSSROD - WRECKER (86" WIDE BODY)
4	4	0708898	CROSSROD - WRECKER (80" WIDE BODY)
5	1	0703501	ANGLE, CROSSROD BEARING
6	21	0300122	GROMMET, SPLIT PLASTIC
7	8	0400539	COTTER, PIN, 3/16" X 1-1/2"
8	2	0300835	KNOB, WRECKER BOOM "UP/DN" (BLACK)
9	2	0300834	KNOB, CABLE "IN/OUT" (RED)
10	2	0302917	KNOB, W/L "IN/OUT" (GREY)
11	2	0302856	KNOB, W/L "TILT" (GREY)
12	6	0400063	SCREW, 1/4"-20 X 1-1/2" LG HEX HD CAP
13	6	0400452	LOCKWASHER, 1/4" EXT TOOTH
14	6	0400370	CLIP, 1/4" TINNERMAN
15	12	0400393	NUT, 3/8"-16 JAM
16	--	0701099	EXTENSION, CONTROL ROD LONG
17	2	0704517	CHANNEL, CROSSROD BEARING
18	4	0400543	COTTER PIN, 1/8" X 3/4"
19	8	0704527	LEVER, CONTROL
20	4	0800604	ARM, CROSS CONTROL
21	12	0400390	NUT, 3/8"-16 JAM ESLOCK
22	--	0800612	CONTROL ROD, SHORT
23	--	0800955	CONTROL ROD, MEDIUM
24	--	0800613	CONTROL ROD, LONG

Section VI - PARTS (cont'd)

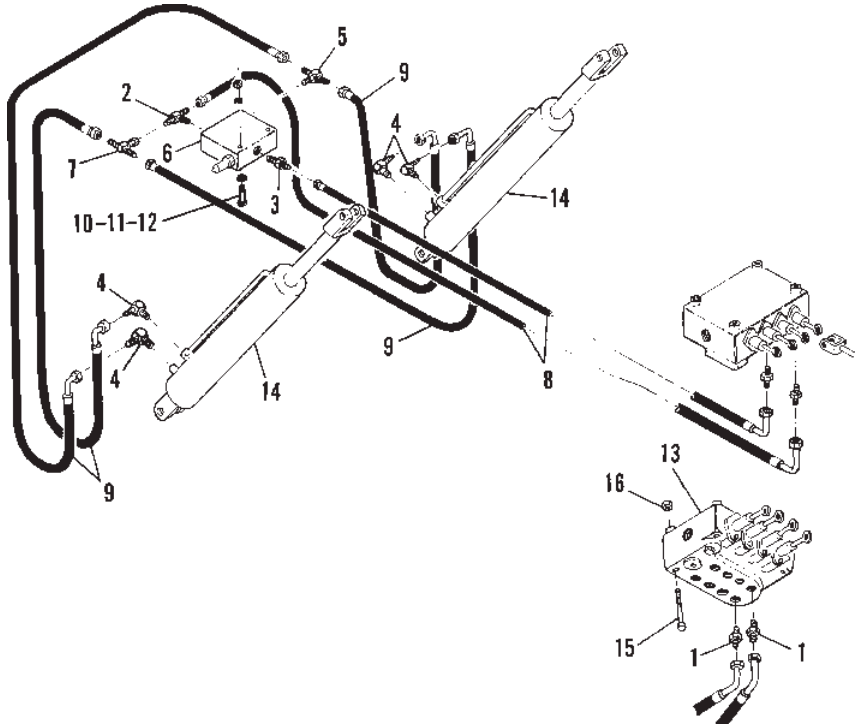
WINCH HYDRAULICS - 211



REF. NO.	NO. REQ'D	PART NUMBER	DESCRIPTION
1	2	0300044	CONNECTOR, 1/2" SAE "O" RING X 1/2" X JIC
2	1	0300090	MOTOR, CHAR-LYNN HYDRAULIC
3	2	0300229	ELBOW, 8MJ-8MP90
4	2	0301893	HOSE, WINCH MOTOR
5	REF.	0302936	WINCH ASSEMBLY, RAMSEY
6	3	0400140	SCREW, 3/8"-16 X 4" HEX HD CAP GR5 ZP
7	2	0400196	SCREW, 1/2"-13 X 1-1/4" SKT HD CAP
8	3	0400392	NUT, 3/8"-16 NYLOK HEX ZP
9	2	0400491	LOCKWASHER, 1/2" HELICAL ZP
10	1	0302960	VALVE, 4 SPOOL

Section VI - PARTS (cont'd)

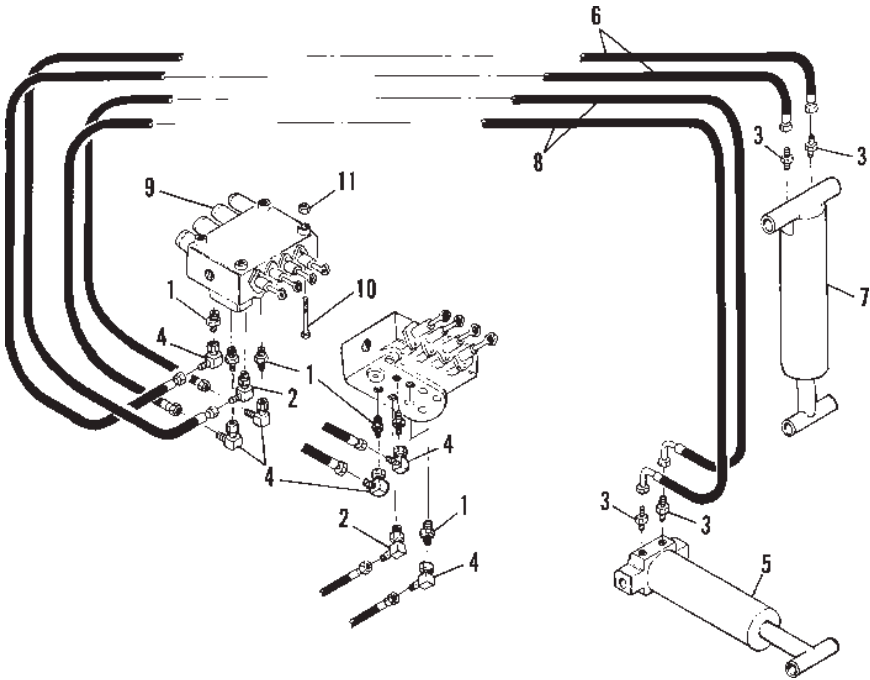
BOOM ELEVATION HYDRAULICS - 211



REF. NO.	NO. REQ'D	PART NUMBER	DESCRIPTION
1	2	0300044	O-RING CONNECTOR
2	1	0300206	BRANCH TEE
3	1	0301425	CONNECTOR, MALE
4	4	0301620	O-RING ELBOW, 90°
5	1	0301855	MALE TEE
6	1	0302476	HOLDING VALVE
7	1	0302573	TEE, 6MJ-6MJ-6FJX
8	2	0302909	HOSE ASSEMBLY, 36"
9	4	0302926	HOSE ASSEMBLY, 29"
10	2	0400078	SCREW, 1/4"-20 X 2" HEX HD CAP GR5 ZP
11	2	0400367	NUT, 1/4"-20 HEX NYLOK
12	4	0400451	WASHER, 1/4" FLAT
13	1	0302960	VALVE, 4 SPOOL CONTROL
14	REF.	IT-27B	BOOM ELEVATION CYLINDER
15	3	0400140	SCREW, 3/8"-16 X 4" HEX HD CAP GR5 ZP
16	3	0400392	NUT, 3/8"-16 HEX NYLOK

Section VI - PARTS (cont'd)

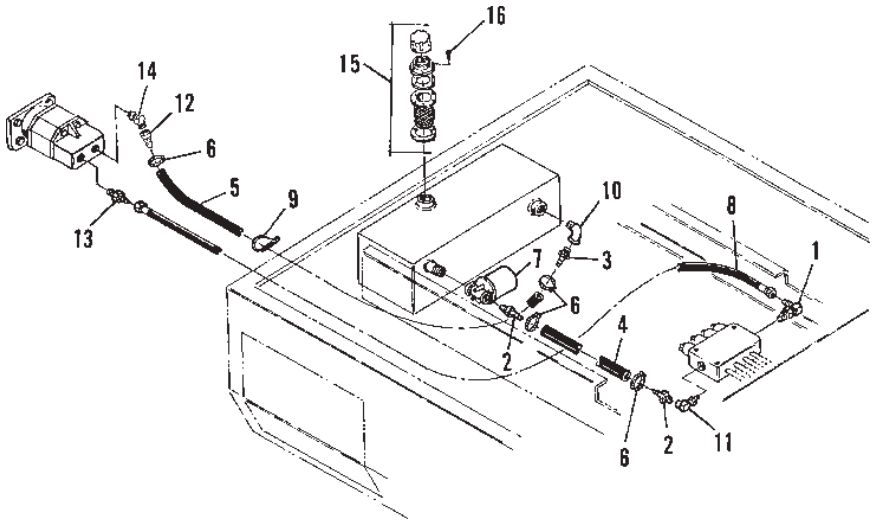
UNDERLIFT HYDRAULICS - 211



REF. NO.	NO. REQ'D	PART NUMBER	DESCRIPTION
1	3	0300044	O-RING CONNECTOR
2	1	0300052	O-RING ELBOW, 90°
3	4	0301522	O-RING CONNECTOR
4	3	031696	ELBOW, 90°
5	REF.	0301825	EXTEND CYLINDER
6	2	0301921	HOSE ASSEMBLY, 128"
7	REF.	0302919	FOLD CYLINDER
8	2	0302922	HOSE ASSEMBLY, 170"
9	REF.	0302960	VALVE, 4 SPOOL CONTROL
10	3	0400140	SCREW, 3/8"-16 X 4" HEX HD CAP GR5 ZP
11	3	0400392	NUT, 3/8"-16 HEX NYLOK

Section VI - PARTS (cont'd)

PUMP & RESERVOIR HYDRAULICS - 211



REF. NO.	NO. REQ'D	PART NUMBER	DESCRIPTION
1	1	0300052	O-RING ELBOW, 90°
2	2	0300055	BARB, 3/4" HOSE X 3/4" NPT
3	1	0300056	BARB, 1" NPT
4	33"	0300057	HOSE, 3/4" RETURN
5	9 FT.	0300058	HOSE, 1" SUCTION
6	4	0300071	CLAMP, 1" HOSE
7	1	0300136	RETURN LINE FILTER
8	1	0300165	HOSE ASSEMBLY, FJX
9	1	0300188	CLAMP, 1" INSULATED HOSE
10	1	0300692	ELBOW, 1" 90° STREET
11	1	0301375	O-RING ELBOW, 90°
12	1	0301767	HOSE BARB, 1" HOSE X JIC
13	1	0302757	CONNECTOR, HYDRAULIC 8MJ-16MB
14	1	0302761	CONNECTOR, HYDRAULIC 16MJ-16MB45
15	1	0305006	FILLER CAP ASSEMBLY
16	6	0400045	SCREW, #10-32 X 1/2" RD HD PH THRD CUT
17	1	0302690	VALVE, 4 SPOOL CONTROL

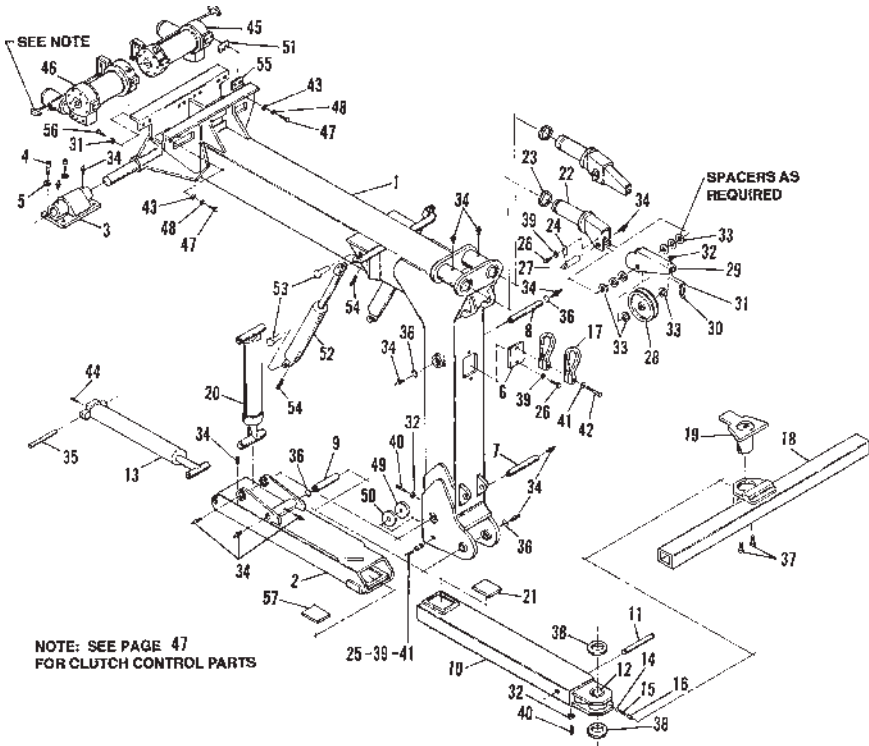
Section VI - PARTS (cont'd)
BOOM & UNDERLIFT ASSEMBLY - 212
(Continued on Page VI-19)

REF. NO.	NO. REQ'D	PART NUMBER	DESCRIPTION
1	1	0802552	MAIN BOOM WELDMENT
2	1	0802510	OUTER BOOM WELDMENT-UNDERLIFT
3	2	3000B-28	TRUNION PIVOT WELDMENT
4	8	0400249	SCREW, 5/8"-11 X 1-1/4" SKT HD CAP
5	8	0400508	WASHER, 5/8" HELICAL LOCK
6	1	0708519	PLATE, COVER-BOOM UPPER
7	1	0708407	SHAFT, LOWER-TILT CYLINDER
8	1	0708408	SHAFT, UPPER-TILT CYLINDER
9	1	0708409	SHAFT, PIVOT BOOM
10	1	0802480	INNER BOOM WELDMENT
11	1	0702131	SHAFT, INNER TUBE CYLINDER
12	1	0301914	BEARING, INNER BOOM
13	1	0301825	CYLINDER, EXTEND
14	1	0301398	BALL, 1-3/16" DIA STEEL
15	1	0301197	SPRING, CROSSBAR COMPRESSION
16	1	0702546	SPACER, DETENT BALL
17	2	0301533	STRAP, 15" TIE DOWN
18	1	0801074	CROSSBAR, INNER
19	1	0802597	PIVOT PIN WELDMENT
20	1	0302919	CYLINDER, UNDERLIFT FOLD
21	1	0301850	SLIDE PAD, NYLATRON
22	2	0800003	SWIVEL, BOOM END
23	3	0300108	SNAP RING, 2-1/2" DIA EXTERNAL
24	2	0700032	SHAFT RETAINER
25	2	0400070	SCREW, 1/4"-20 X 1" HEX HD CAP GR5 ZP
26	3	0400060	SCREW, 1/4"-20 X 1/2" HEX HD CAP GR5
27	2	0700056	SHAFT, SHEAVE
28	2	0300022	SHEAVE, 6"
29	2	0800735	GUIDE, CABLE

Section VI - PARTS (cont'd)

BOOM & UNDERLIFT ASSEMBLY - 212

(Continued from Page VI-16)

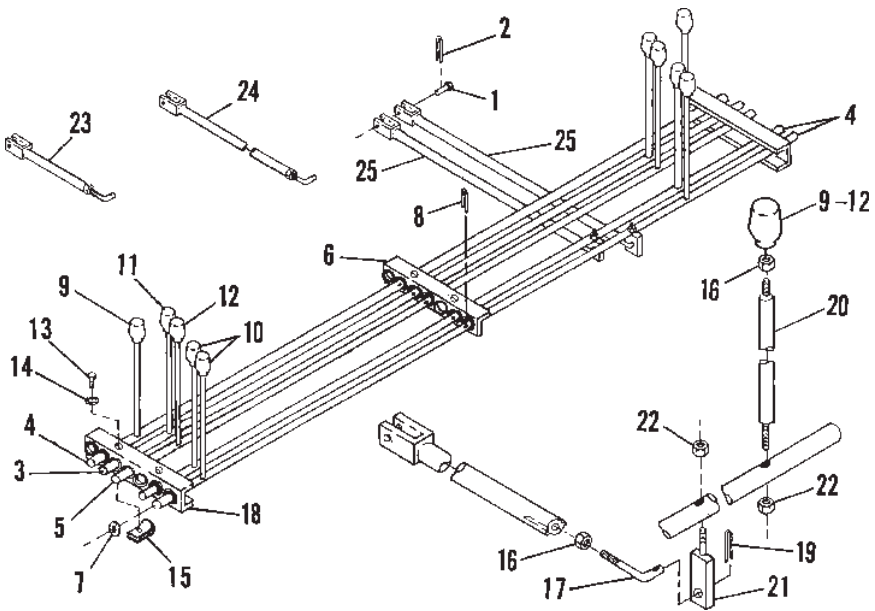


Section VI - PARTS (cont'd)
BOOM & UNDERLIFT ASSEMBLY - 212
(Continued from Page VI-17)

REF. NO.	NO. REQ'D	PART NUMBER	DESCRIPTION
30	2	0301531	"U" BOLT (FROM 3/8" CABLE CLAMP)
31	2	0400393	NUT, 3/8"-16 HEX JAM
32	6	0400392	NUT, 3/8"-16 HEX NYLOK
33	4	0700166	WASHER, SPACER
34	13	0300113	GREASE FITTING, ALEMITE
35	1	0703345	SHAFT, EXTEND CYLINDER
36	4	AWS-3022-A	SNAP RING
37	2	0701956	SCREW, OUTER CROSS TUBE RET.
38	2	0703640	WASHER, THRUST
39	4	0400452	LOCKWASHER, 1/4" ZP
40	2	0400139	SCREW, 3/8"-16 X 1-1/2" HEX SKT SET
41	3	0400451	WASHER, 1/4" FLAT ZP
42	1	0400078	SCREW, 1/4"-20 X 2" HEX HD CAP GR5 ZP
43	12	0400480	WASHER, 3/8" FLAT ZP
44	1	0400120	SCREW, 1/4"-20 X 1/2" ALLEN HD SET
45	1	0302937	WINCH ASSEMBLY, RAMSEY (LESS MOTOR)
46	1	0302936	WINCH ASSEMBLY, RAMSEY (LESS MOTOR)
47	14	0400122	SCREW, 3/8"-16 X 1-1/4" HEX HD CAP GR5 ZP
48	14	0400482	LOCKWASHER, 3/8" HELICAL
49	2	0708406	PAD, GUIDE
50	6	0708410	SHIM, GUIDE PAD
51	4	0706668	SHIM, WINCH MOUNTING
52	2	IT-27B	BOOM ELEVATION CYLINDER
53	4	BK-518	PIN, BOOM CYLINDER
54	4	BK-519	HAIR PIN, BOOM CYLINDER PIN
55	4	0708518	SPACER BLOCK
56	2	0400150	SCREW, 3/8"-16 X 2-1/2" HEX HD CAP GR5 ZP
57	1	0303018	SLIDE PAD, NYLATRON

Section VI - PARTS (cont'd)

CONTROL & CROSSROD ASSEMBLY - 212



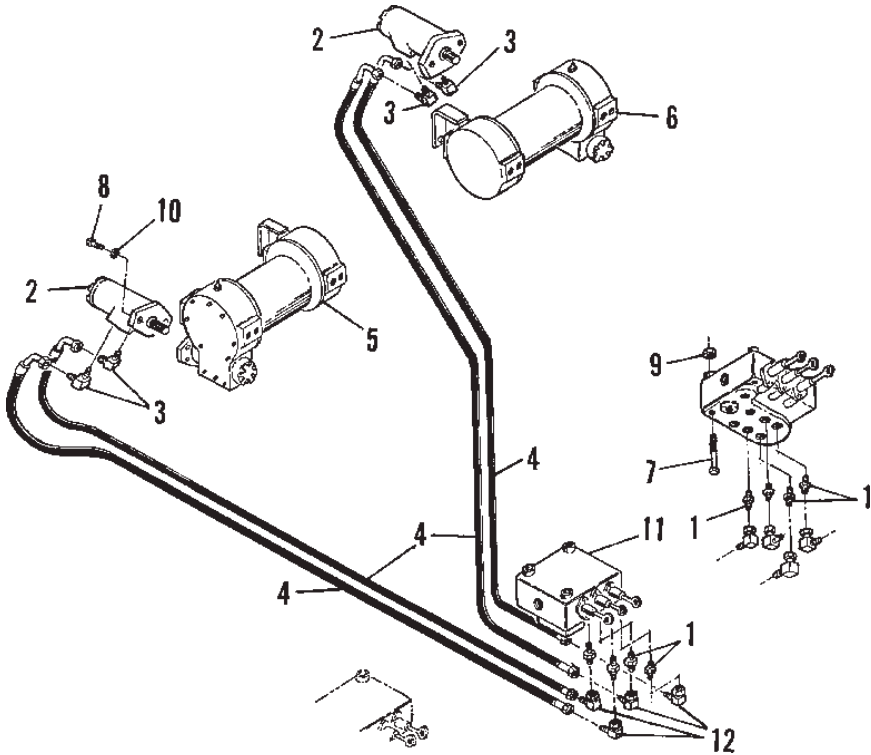
Section VI - PARTS (cont'd)

CONTROL & CROSSROD ASSEMBLY - 212

REF. NO.	NO. REQ'D	PART NUMBER	DESCRIPTION
1	5	0400527	CLEVIS PIN, 5/16" DIA COTTERLESS SS
2	5	0400541	COTTER PIN, 1/16" X 3/4"
3	1	0703528	CROSSROD - W/L
4	3	0704529	CROSSROD - WRECKER
5	1	0704530	CROSSROD - TILT
6	1	0703501	ANGLE, CROSSROD BEARING
7	21	0300122	GROMMET, SPLIT PLASTIC
8	10	0400539	COTTER, PIN, 3/16" X 1-1/2"
9	2	0300835	KNOB, WRECKER BOOM "UP/DN" (BLACK)
10	4	0300834	KNOB, CABLE "IN/OUT" (RED)
11	2	0302917	KNOB, W/L "IN/OUT" (GREY)
12	2	0302856	KNOB, W/L "TILT" (GREY)
13	6	0400063	SCREW, 1/4"-20 X 1-1/2" LG HEX HD CAP
14	6	0400452	LOCKWASHER, 1/4" EXT TOOTH
15	6	0400370	CLIP, 1/4" TINNEMAN
16	15	0400393	NUT, 3/8"-16 JAM
17	--	0701099	EXTENSION, CONTROL ROD LONG
18	2	0704517	CHANNEL, CROSSROD BEARING
19	5	0400543	COTTER PIN, 1/8" X 3/4"
20	10	0704527	LEVER, CONTROL
21	5	0800604	ARM, CROSS CONTROL
22	15	0400390	NUT, 3/8"-16 JAM ESLOCK
23	--	0800612	CONTROL ROD, SHORT
24	--	0800955	CONTROL ROD, MEDIUM
25	--	0800613	CONTROL ROD, LONG

Section VI - PARTS (cont'd)

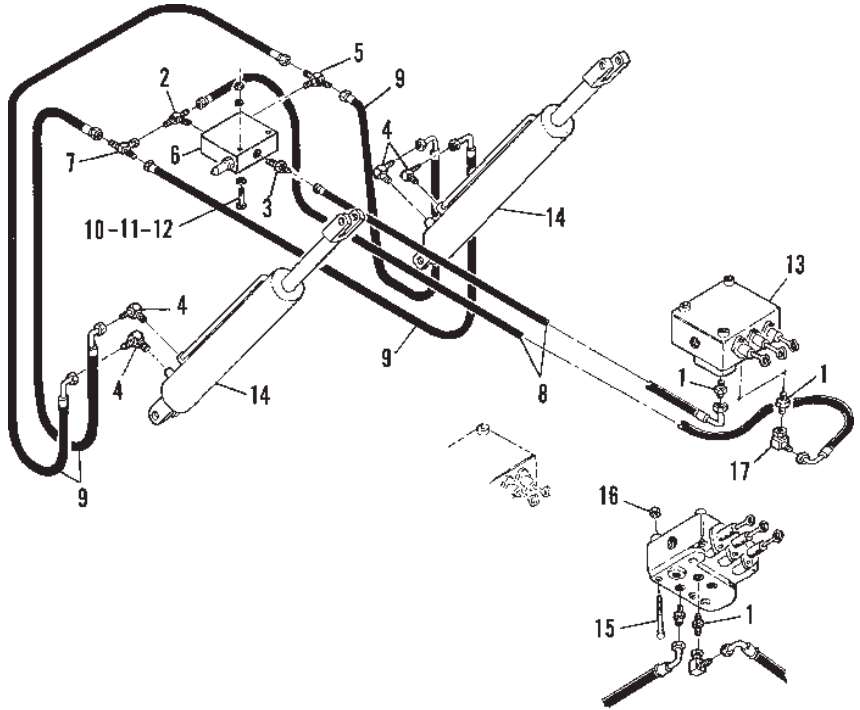
WINCH HYDRAULICS - 212



REF. NO.	NO. REQ'D	PART NUMBER	DESCRIPTION
1	4	0300044	CONNECTOR, 1/2" SAE "O" RING X 1/2" X JIC
2	2	0300090	MOTOR, CHAR-LYNN HYDRAULIC
3	4	0300229	ELBOW, 8MJ-8MP90
4	4	0301893	HOSE, WINCH MOTOR
5	REF.	0302936	WINCH ASSEMBLY, RAMSEY
6	REF.	0302937	WINCH ASSEMBLY, RAMSEY
7	3	0400140	SCREW, 3/8"-16 X 4" HEX HD CAP GR5 ZP
8	4	0400196	SCREW, 1/2"-13 X 1-1/4" SKT HD CAP
9	3	0400392	NUT, 3/8"-16 NYLOK HEX ZP
10	4	0400491	LOCKWASHER, 1/2" HELICAL ZP
11	1	0300010	VALVE, 3 SPOOL
12	4	0301696	ELBOW, 90°

Section VI - PARTS (cont'd)

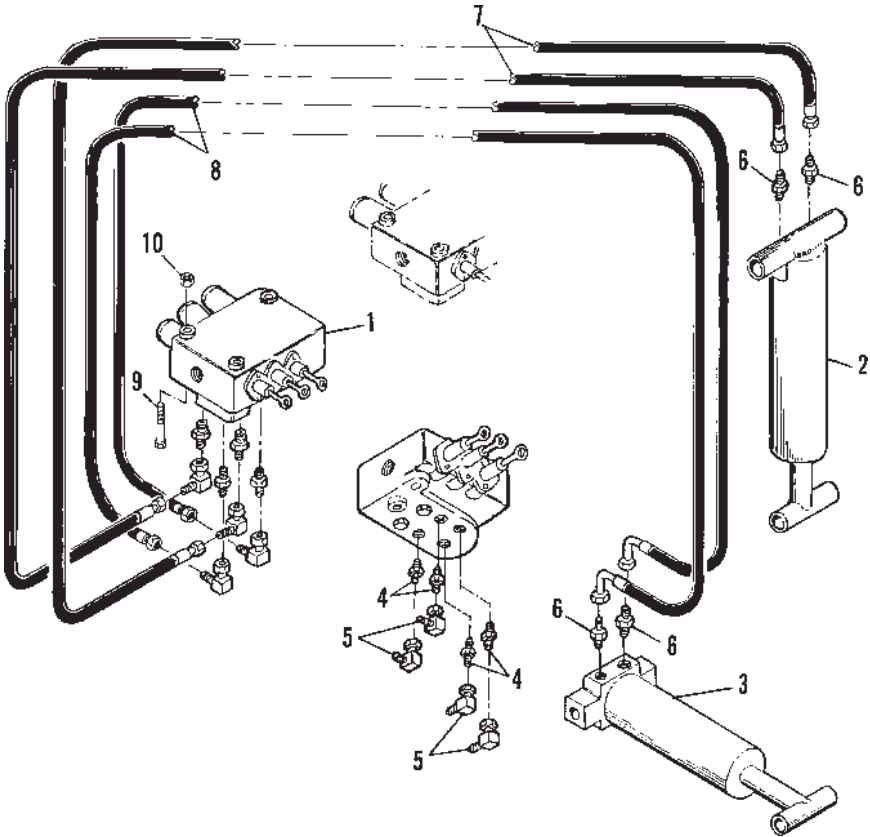
BOOM ELEVATION HYDRAULICS - 212



REF. NO.	NO. REQ'D	PART NUMBER	DESCRIPTION
1	2	0300044	O-RING CONNECTOR
2	1	0300206	BRANCH TEE
3	1	0301425	CONNECTOR, MALE
4	4	0301620	O-RING ELBOW, 90°
5	1	0301855	MALE TEE
6	1	0302476	HOLDING VALVE
7	1	0302573	TEE, 6MJ-6MJ-6FJX
8	2	0302909	HOSE ASSEMBLY, 36"
9	4	0302926	HOSE ASSEMBLY, 29"
10	2	0400078	SCREW, 1/4"-20 X 2" HEX HD CAP GR5 ZP
11	2	0400367	NUT, 1/4"-20 HEX NYLOK
12	4	0400451	WASHER, 1/4" FLAT
13	1	0300010	VALVE, 3 SPOOL CONTROL
14	REF.	IT-27B	BOOM ELEVATION CYLINDER
15	3	0400140	SCREW, 3/8"-16 X 4" HEX HD CAP GR5 ZP
16	3	0400392	NUT, 3/8"-16 HEX NYLOK
17	1	0301696	ELBOW, 90°

Section VI - PARTS (cont'd)

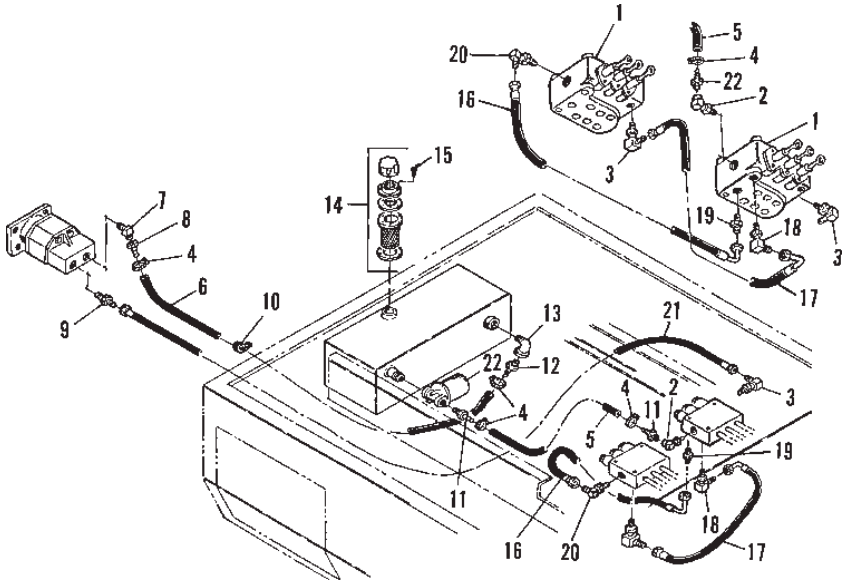
UNDERLIFT HYDRAULICS - 212



REF. NO.	NO. REQ'D	PART NUMBER	DESCRIPTION
1	REF.	0300010	VALVE, 4 SPOOL CONTROL
2	REF.	0302919	FOLD CYLINDER
3	REF.	0301825	EXTEND CYLINDER
4	4	0300044	O-RING CONNECTOR
5	4	0301696	ELBOW, 90°
6	4	0301522	O-RING CONNECTOR
7	2	0301921	HOSE ASSEMBLY, 128"
8	2	0302922	HOSE ASSEMBLY, 170"
9	3	0400140	SCREW, 3/8"-16 X 4" HEX HD CAP GR5 ZP
10	3	0400392	NUT, 3/8"-16 HEX NYLOK

Section VI - PARTS (cont'd)

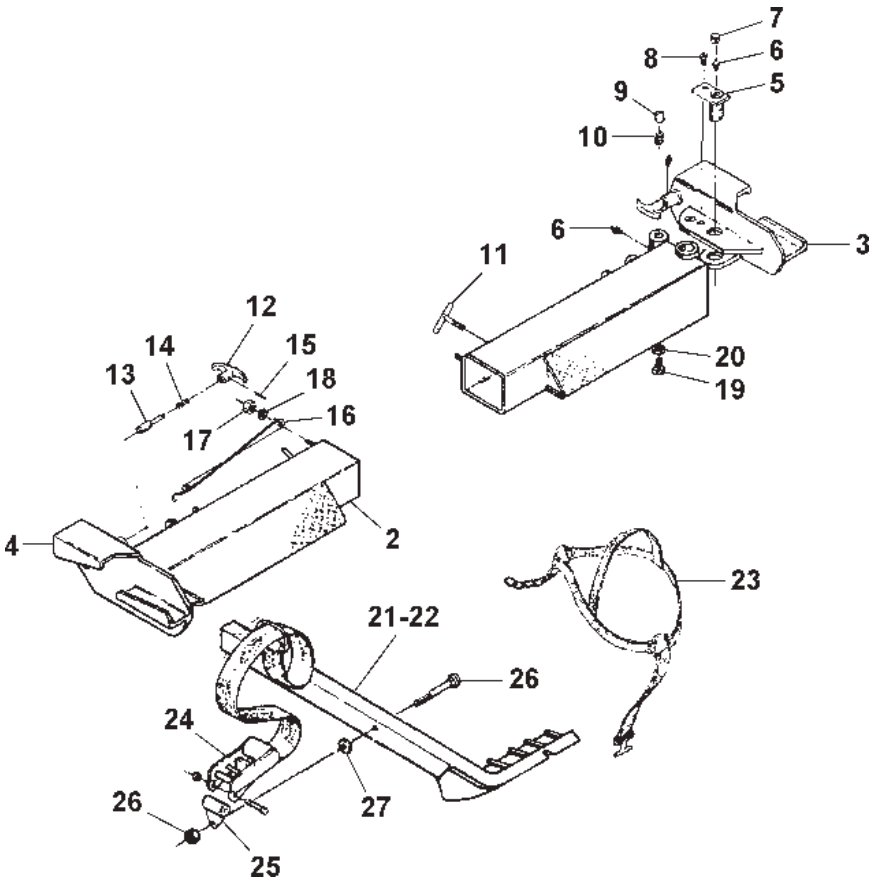
PUMP & RESERVOIR HYDRAULICS - 212



REF. NO.	NO. REQ'D	PART NUMBER	DESCRIPTION
1	2	0300010	VALVE, 3 SPOOL CONTROL
2	1	0301375	O-RING ELBOW, 90°
3	2	0300052	O-RING ELBOW, 90°
4	4	0300071	CLAMP, 1" HOSE
5	30"	0300057	HOSE, 3/4" RETURN
6	9FT.	0300058	HOSE, 1" SUCTION
7	1	0302761	CONNECTOR, HYDRAULIC 16MJ-16MB45
8	1	0301767	HOSE BARB, 1" HOSE X JIC
9	1	0302757	CONNECTOR, HYDRAULIC 8MJ-16MB
10	1	0300188	CLAMP, 1" INSULATED HOSE
11	2	0300055	BARB, 3/4" HOSE X 3/4" NPT
12	1	0300056	BARB, 1" NPT
13	1	0300692	ELBOW, 1" 90° STREET
14	1	0305006	FILLER CAP ASSEMBLY
15	6	0400045	SCREW, #10-32 X 1/2" RD HD PH THRD CUT
16	1	0301471	HOSE ASSEMBLY
17	1	0301790	HOSE ASSEMBLY
18	1	0301388	ELBOW, 90° 1/2" SAE X 1/2" JIC
19	1	0301780	O-RING CONNECTOR
20	1	0301547	O-RING ELBOW, 90°
21	1	0300165	HOSE ASSEMBLY, FJX
22	1	0300136	RETURN LINE FILTER

Section VI - PARTS (cont'd)

OUTER CROSSTUBE & PIVOT L-ARM ASSEMBLY



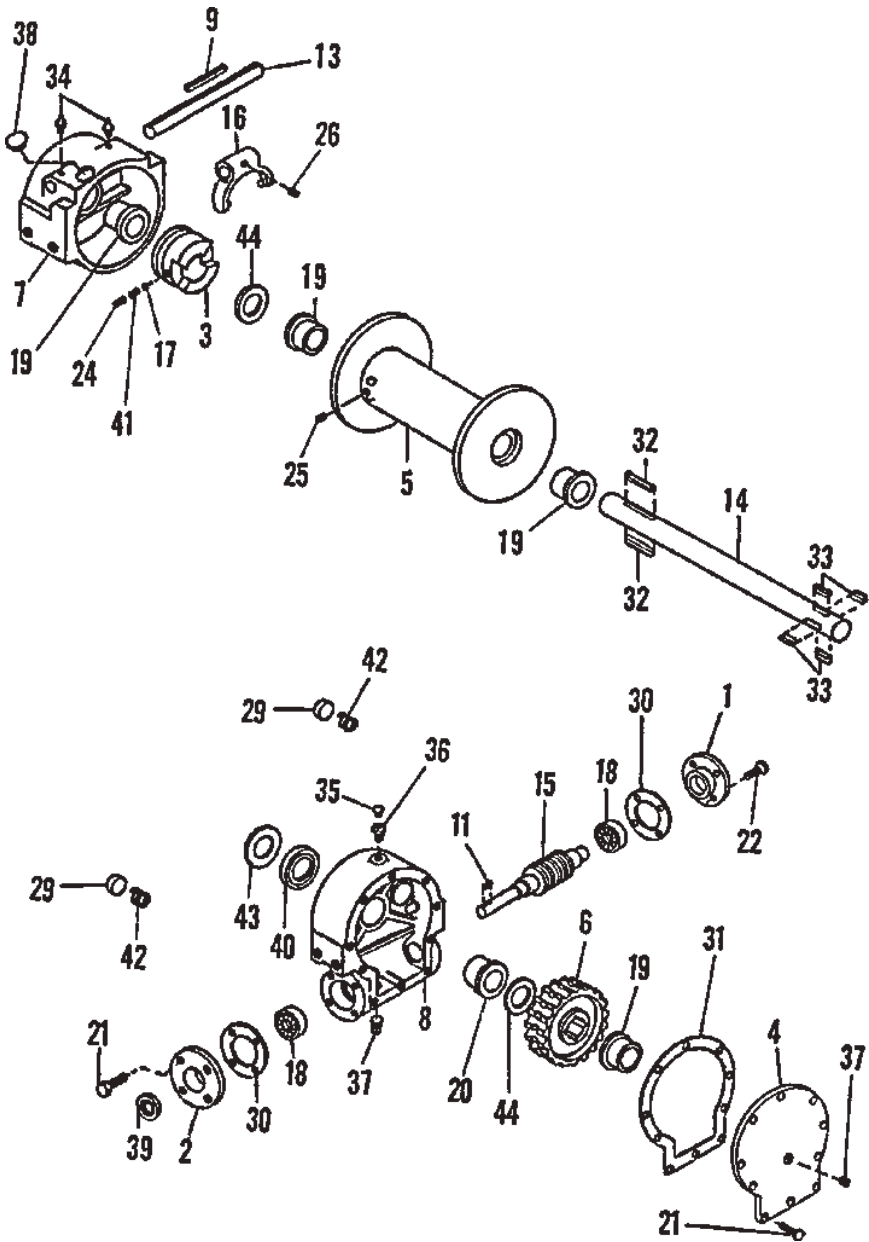
Section VI - PARTS (cont'd)

OUTER CROSSTUBE & PIVOT L-ARM ASSEMBLY

REF. NO.	NO. REQ'D	PART NUMBER	DESCRIPTION
1	1	0802676	OUTER CROSSTUBE, R.H.
2	1	0802675	OUTER CROSSTUBE, L.H.
3	1	0802680	END PLATE WELDMENT, R.H.
4	1	0802679	END PLATE WELDMENT, L.H.
5	2	0802187	SHAFT, PIVOT
6	6	0300113	GREASE FITTING
7	2	0302640	PLUG, DRY-OUT HOLE
8	2	0400223	SCREW, 3/8"-16 X 3/4" SKT HD
9	2	0708914	PIN, DETENT
10	2	0302642	SPRING, PIVOT LOCK
11	2	0800590	TEE HANDLE
12	2	0302648	"T" HANDLE
13	2	0707505	PIN, PLUNGER
14	2	0302641	SPRING, PLUNGER PIN
15	2	0400560	PIN, ROLL 5/32" X 1"
16	2	0301956	STRAP, 9" RUBBER
17	2	0400367	NUT, 1/4"-20 HEX NYLOK
18	2	0400451	WASHER, 1/4" FLAT
19	2	0400218	SCREW, 1/2"-20 X 1-1/4" HEX HD CAP
20	2	0400412	NUT, 1/2"-20 HEX JAM
21	1	0802642	TIRE RESTRAINT, LEFT
22	1	0802643	TIRE RESTRAINT, RIGHT
23	2	0902382	1" NYLON, POLY-COAT STRAP (OPT.)
24	2	0301399	STRAP, TIE DOWN W/ RATCHET (OPT.)
25	2	0800583	PIVOT, TIE DOWN (OPT.)
26	2	0400161	BOLT, 3/8"-16 X 2-3/4" CARRIAGE (OPT.)
27	2	0400480	WASHER, 3/8" FLAT (OPT.)
28	2	0400390	NUT, 3/8"-16 ESLOK JAM (OPT.)

Section VI - PARTS (cont'd)

WINCH ASSEMBLY - HY-246



Section VI - PARTS (cont'd)

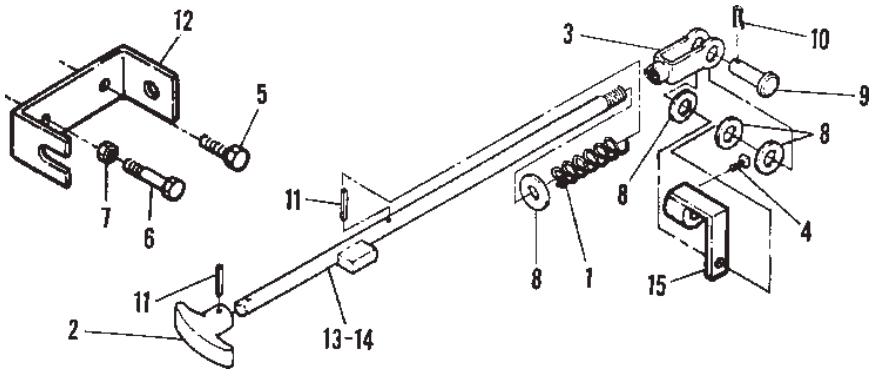
WINCH ASSEMBLY - HY-246

REF. NO.	NO. REQ'D	PART NUMBER	DESCRIPTION
1	1	316083	BEARING CAP
2	1	316084	BEARING CAP
3	1	324161	JAW CLUTCH
4	1	328134	COVER
5	1	332007	DRUM "Y"
6	1	334163	GEAR R.H. 46:1
	1	334164	GEAR L.H. 46:1
7	1	338003	HOUSING - CLUTCH
8	1	338273	HOUSING - GEAR
9	1	342018	KEY
10	1	342024	KEY
11	1	342027	KEY
12	1	344008	LEVER - SHIFTER
13	1	356902	SHAFT - SHIFTER
14	1	357480	SHAFT - DRUM "Y"
15	1	368002	WORM R.H. 46:1
	1	368009	WORM L.H. 46:1
16	1	370001	YOKE
17	1	400001	BALL - POPPET
18	2	402002	BEARING - BALL
19	4	412003	BUSHING
20	1	412045	BUSHING
21	10	414038	CAPSCREW 1/4-20 NC X 3/4 LG HX HD GR5
22	8	414045	CAPSCREW 1/4-20 NC X 7/8 LG HX HD GR5
23	4	414282	CAPSCREW 3/8-16NC X 3/4 LG HX HD GR5
24	1	416040	SET SCREW 1/4-20NC X 1-1/4 SKT HD LESS
25	1	416059	SET SCREW 3/8-16NC X 3/8 SKT HD LESS
26	1	416084	SET SCREW 1/4-20NC X 1/2 LG SQ HD
27	1	416109	SET SCREW 5/16-18NC X 1/2 LG SQ HD
28	4	418177	LOCK WASHER 3/8" MED SECT CP
29	2	438014	DRAG BRAKE
30	2	442184	GASKET
31	1	442205	GASKET
32	2	450006	KEY - BARTH
33	4	450016	KEY - BARTH
34	2	456006	FITTING - LUBE
35	1	456008	FITTING - RELIEF
36	1	468002	REDUCER
37	2	468011	PIPE PLUG
38	1	472013	PLASTIC PLUG
39	1	486009	OIL SEAL
40	1	486017	OIL SEAL
41	1	494001	SPRING - POPPET
42	2	494002	SPRING
43	1	518014	THRUST WASHER
44	2	518015	THRUST WASHER

Section VI - PARTS (cont'd)

WINCH CLUTCH CONTROL

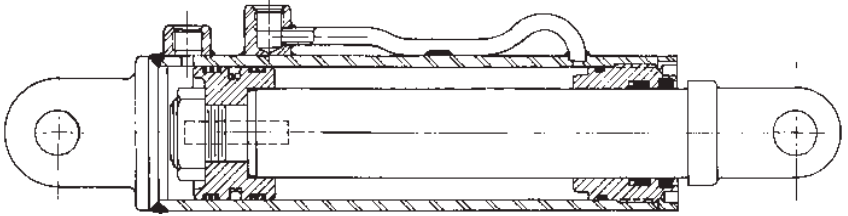
2 ASSEMBLIES REQ'D FOR DUAL WINCH WRECKER



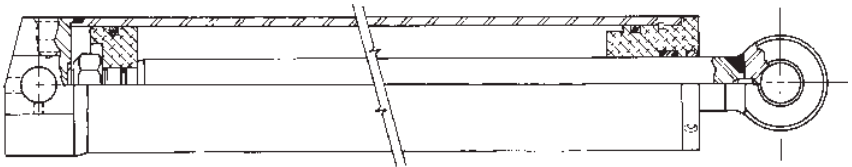
REF. NO.	NO. REQ'D	PART NUMBER	DESCRIPTION
1	1	0300845	SPRING, COMPRESSION
2	1	0301532	"T" HANDLE
3	1	0301588	ADJUSTING YOKE
4	1	0400116	SCREW, 5/16"-18 X 1/2" LG SQ HD SET
5	1	0400126	SCREW, 3/8"-16 X 1" LG HEX HD CAP
6	1	0400150	SCREW, 3/8"-16 X 2-1/2" LG HEX HD CAP
7	1	0400393	NUT, 3/8" - 16 JAM
8	4	0400492	WASHER, 1/2" FLAT
9	1	0400537	CLEVIS PIN, 1/2" DIA X 1-1/2" LG
10	1	0400546	COTTER PIN, 1/8" X 1-1/4" LG
11	2	0400560	ROLL PIN, 5/32" X 1" LG
12	1	0702408	MOUNTING CHANNEL
13	1	0802613	CONTROL ROD, SINGLE WINCH
14	1	0802614	CONTROL ROD, DUAL WINCH
15	1	0800779	BELL CRANK WELDMENT

Section VI - PARTS (cont'd)

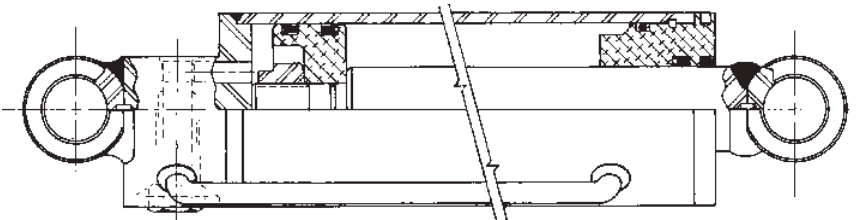
HYDRAULIC CYLINDERS



REF. NO.	NO. REQ'D	PART NUMBER	DESCRIPTION
1	2	IT-27B	BOOM ELEVATION CYLINDER (COMPLETE)
2	1	IT-97	SEAL KIT, BOOM ELEVATION CYLINDER



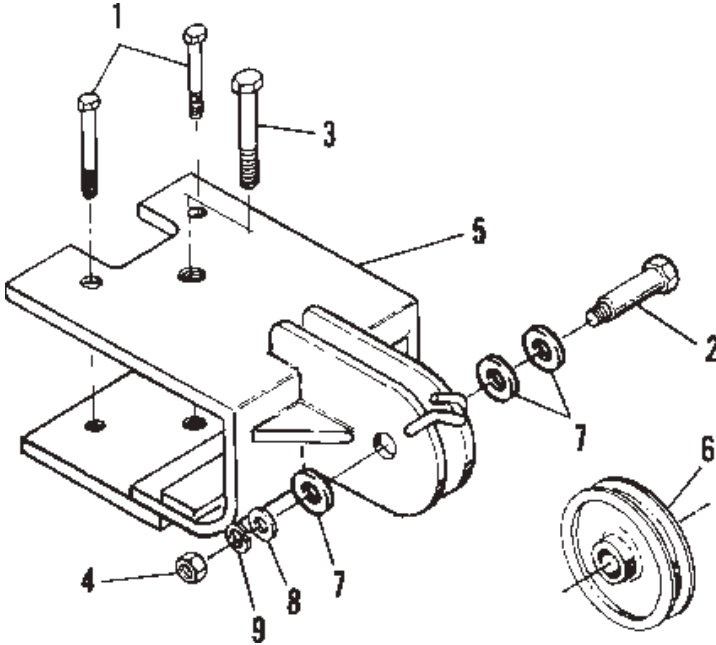
REF. NO.	NO. REQ'D	PART NUMBER	DESCRIPTION
1	1	0301825	UNDERLIFT EXTEND CYLINDER (COMPLETE)
2	1	0304086	SEAL KIT, UNDERLIFT EXTEND CYLINDER



REF. NO.	NO. REQ'D	PART NUMBER	DESCRIPTION
1	1	0302919	UNDERLIFT FOLD CYLINDER (COMPLETE)
2	1	0300830	SEAL KIT, UNDERLIFT FOLD CYLINDER

Section VI - PARTS (cont'd)

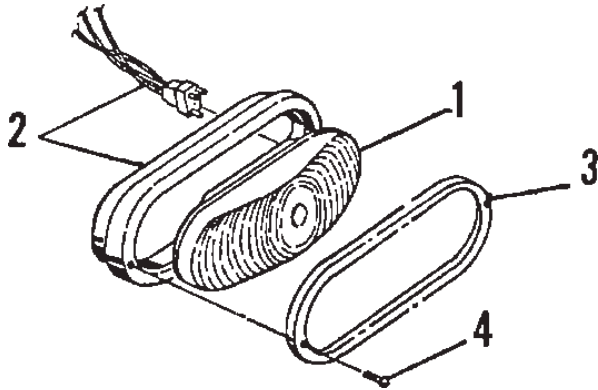
CROSTUBE CABLE ADAPTER ASSEMBLY



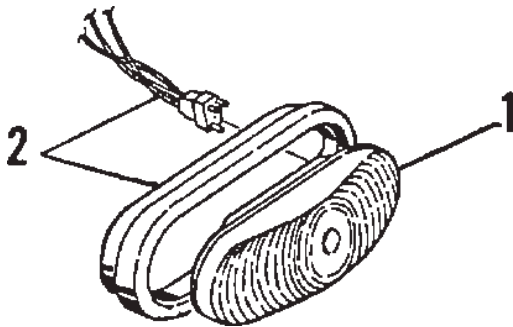
REF. NO.	NO. REQ'D	PART NUMBER	DESCRIPTION
1	2	0400220	SCREW, 1/2"-13 X 5-1/2" HEX HD CAP GR5 ZP
2	1	0400277	SHOULDER BOLT, 5/8"-11 X 3/4" X 1-1/2" SKT HD
3	1	0400294	SCREW, 3/4"-10 X 6-1/2" HEX HD CAP GR5 ZP
4	1	0400421	NUT, 5/8"-11 HEX NYLOK
5	1	0802547	ADAPTER, WINCH CABLE
6	1	AWS-4013-A	SHEAVE, 5"
7	3	0400510	WASHER, 3/4" FLAT ZP
8	1	0400506	WASHER, 5/8" FLAT ZP
9	1	0400508	LOCKWASHER, 5/8" HELICAL ZP

Section VI - PARTS (cont'd)

LIGHT KIT



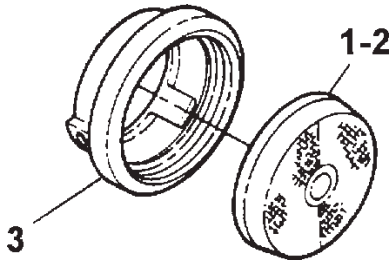
REF. NO.	NO. REQ'D	PART NUMBER	DESCRIPTION
--	2	0301390	LIGHT, STOP AND TURN (COMPLETE)
1	2	0304125	LENS & BULB ASSEMBLY
2	2	0304126	GROMMET & PLUG KIT
3	2	0304124	CHROME BEZEL
4	2	0304123	BEZEL MOUNTING SCREW



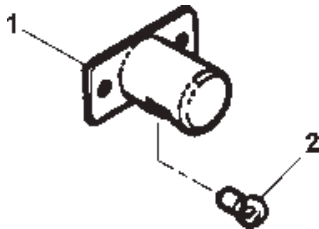
REF. NO.	NO. REQ'D	PART NUMBER	DESCRIPTION
1	2	032201	LIGHT, BACK-UP (COMPLETE)

Section VI - PARTS (cont'd)

LIGHT KIT



REF. NO.	NO. REQ'D	PART NUMBER	DESCRIPTION
1	4	0301741	LIGHT, SEALED MARKER, RED
2	2	0301742	LIGHT, SEALED MARKER, AMBER
3	6	0301740	MARKER LIGHT GROMMET



REF. NO.	NO. REQ'D	PART NUMBER	DESCRIPTION
1	1	0300273	LICENSE PLATE ILLUMINATOR (COMPLETE)
2	1	0300512	BULB, LICENSE PLATE ILLUMINATOR

CENTURY®

Miller Industries Towing Equipment Inc.

8503 Hilltop Drive • Ooltewah, Tennessee 37363 • (423) 238-4171

www.millerind.com