

# CENTURY®

LEGENDARY LEADERSHIP



## OWNER'S MANUAL 20 SERIES 2, 3 & 4 CAR CARRIERS INSTALLATION, OPERATION, MAINTENANCE & PARTS

**NOTE: MANUAL including SPECIFICATIONS, subject to change without notice  
All ratings specified are based on structural factors only,  
not vehicle capacities or capabilities.**

**CENTURY®**

Miller Industries Towing Equipment Inc.  
8503 Hilltop Drive

Ooltewah, Tennessee 37363

Phone (423) 238-4171 • FAX (423) 238-5371

FORM NO. 0500804

09 / 02

PRICE \$25.00

## LIMITED WARRANTY

CENTURY warrants to the original purchaser that each new CENTURY Carrier will be free from defects in material and workmanship for a period of one (1) year from the date of purchase. The purchaser must promptly notify CENTURY in writing of any failure in material or workmanship. In no event shall such notification be received by CENTURY later than thirteen (13) months from date of delivery.

The obligation under this warranty, statutory or otherwise, is limited to the repair or replacement at our factory, or at a point designated by us, of such part or parts as shall appear to us upon inspection to be defective in material or workmanship. New or remanufactured parts will be used for any replacement.

This warranty does not obligate CENTURY to bear the cost of labor or transportation charges in connection with the replacement or repair of any parts found to be defective, nor shall it apply to a product upon which repairs or alterations have been made unless authorized by us.

CENTURY shall in no event be liable for any incidental or consequential damages or contingent arising out of the failure of any parts or products to operate properly. NO IMPLIED, EXPRESS, OR STATUTORY WARRANTY OTHER THAN STATED HEREIN IS MADE OR AUTHORIZED TO BE MADE BY OR FOR US, INCLUDING, BUT NOT LIMITED TO, THE IMPLIED WARRANTIES OF MERCHANTABILITY AND FITNESS FOR A PARTICULAR PURPOSE.

CENTURY makes no warranty, express or implied, as to finished products manufactured or supplied by another manufacturer or supplier by CENTURY to purchaser, including, but not limited to, any vehicle to which a CENTURY product may be affixed or accessories or wire rope (cable), and expressly disclaims any implied warranties of merchantability or fitness for a particular purpose as to such equipment or products. This language shall in no way affect or diminish the rights of purchaser to rely on such warranties as are extended by such manufacturers or suppliers.

CENTURY, whose policy is one of continuous improvement, reserves the right to improve its product through changes in design or materials as it may deem desirable without being obligated to incorporate such changes in products of prior manufacture.

IT IS EXPRESSLY UNDERSTOOD THAT THERE IS NO IMPLIED WARRANTY THAT CENTURY CARRIERS SHALL BE FIT FOR THE PURPOSE OF LIFTING OR MOVING PERSONS OR OTHER IMPROPER USE. THIS WARRANTY IS NOT TRANSFERABLE.

**CENTURY®**

Miller Industries Towing Equipment Inc.  
8503 Hilltop Drive  
Ooltewah, Tennessee 37363

**SERIAL NUMBER**

Telephone (423) 238-4171

## Section VI - PARTS

This Section is provided by the manufacturer for the purpose of ordering any component part of the **20 Series Car Carrier** that may be required when part replacement is necessary. Be certain to use only original equipment replacement parts for warranty purposes as well as for keeping your **20 Series Car Carrier** in its original state and optimum operating capacities.

When ordering replacement or spare parts be sure to provide the following information to the manufacturer's **Parts Department**.

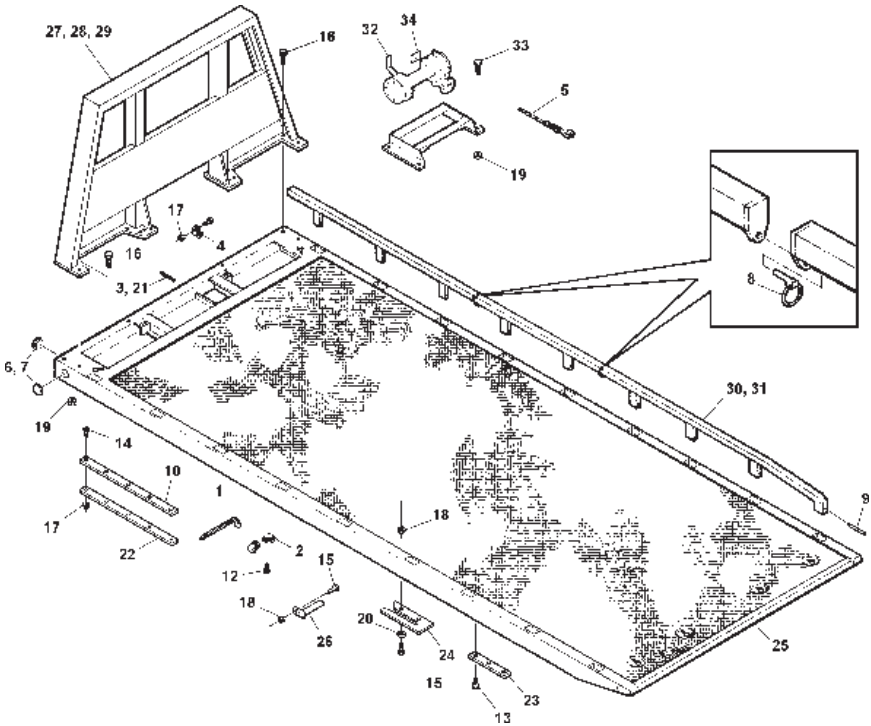
1. **Manual Number & Date of Publication**
2. **Manual Page Number**
3. **Page Title**
4. **Reference Number of Part Desired**
5. **Part Number**
6. **Part Description**
7. **Quantity of Part Desired**

Providing this information will help ensure that the correct parts will be delivered to you in an expedient manner without delay. Should additional information be required for repair or replacement of certain components, contact your Wrecker Manufacturer Authorized Representative.

The Manufacturer reserves the right, without notice or obligation, to improve or modify their products, which may change the specifications, models and feature availability.

# Section VI - PARTS (cont'd)

## BED ASSEMBLY



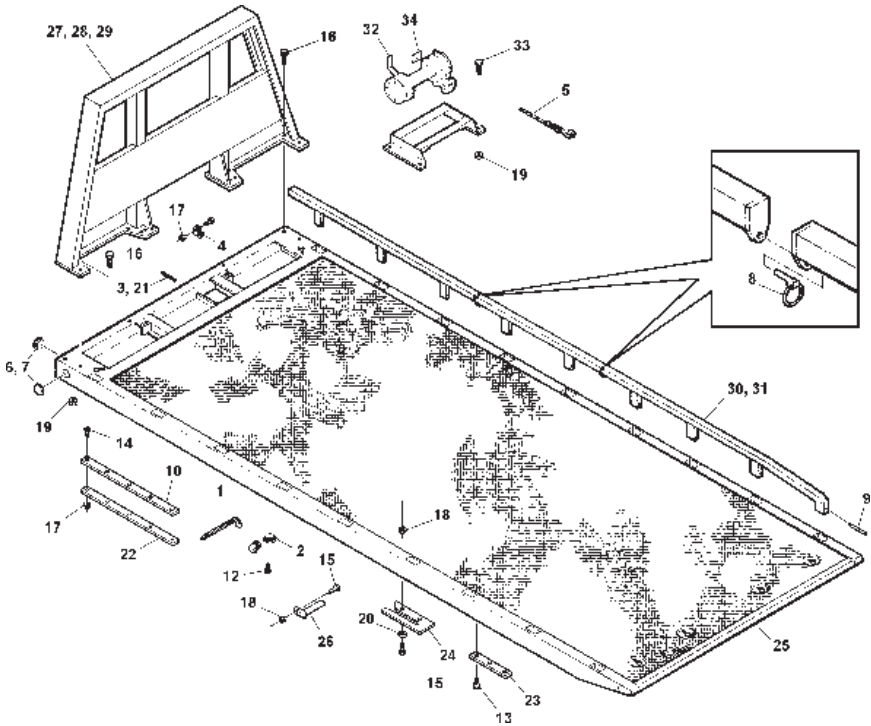
## Section VI - PARTS (cont'd)

### BED ASSEMBLY

REF. NO.	NO. REQ'D	PART NUMBER	DESCRIPTION
1	22	0300132	WIRE TIE
2	16	0300134	HOSE CLAMP
3	1	0300897	GROMMET
4	1	0301487	HOSE CLAMP
5	1	0301669	CABLE ASSEMBLY
6	4	0301740	GROMMET MOUNTING KIT
7	4	0301742	SEALED LAMP (AMBER)
8	4	0301861	PIN, LYNCH
9	10	0302023	HITCH PIN, COTTERLESS
10	2	0302027	BEARING PAD, NYLATRON GS
11	1	0400060	SCREW, 1/4"-20NC X 1/2" HEX HD CAP
12	8	0400077	SCREW, 1/4" X 1" SELF DRILLING HEX HD
13	6	0400085	SCREW, 1/4"-20 X 1" TYPE "F" PHILLIPS HD
14	10	0400086	SCREW, 1/4"-20 X 1-1/4" FL HD SKT CAP
15	3	0400122	SCREW, 3/8"-16NC X 1-1/4" HEX HD CAP
16	10	0400181	SCREW, 1/2"-13NC X 1-1/2" HEX HD CAP
17	11	0400367	NUT, 1/4"-20NC NYLOK
18	3	0400392	NUT, 3/8"-16NC NYLOK
19	14	0400408	NUT, 1/2"-13NC NYLOK
20	2	0400480	WASHER, 3/8" FL HD
21	6	0703230	HEAT SHRINK TUBE
22	2	0704153	SHIM, BEAING PAD

# Section VI - PARTS (cont'd)

## BED ASSEMBLY (cont'd)



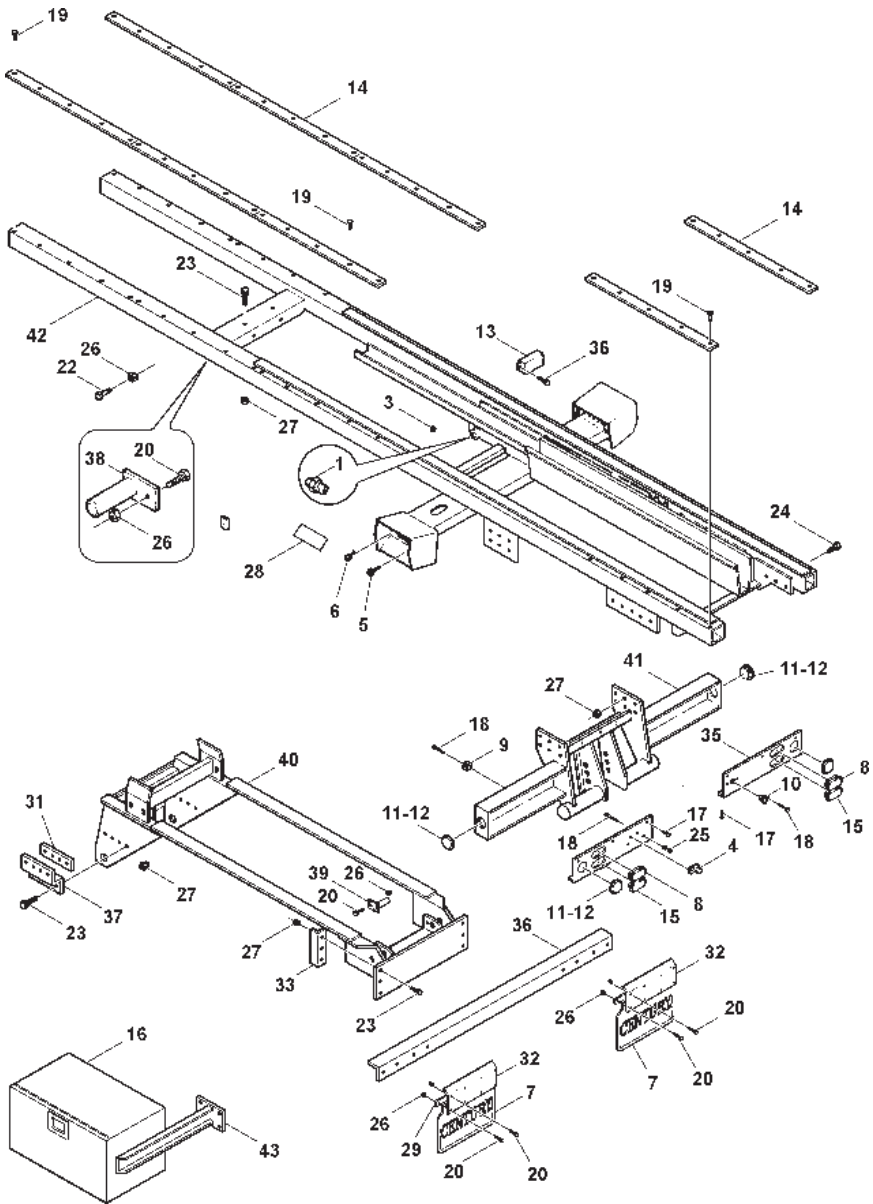
## Section VI - PARTS (cont'd)

### BED ASSEMBLY (cont'd)

REF. NO.	NO. REQ'D	PART NUMBER	DESCRIPTION
23	2	0704236	STOP BAR
24	1	0708913	ANTI-TILT PLATE
25	1	0801190	CARRIER BED WELDMENT
26	2	0801201	CYLINDER PIN
27	1	0801212	CAB PROTECTOR WELDMENT (49" HIGH)
28	1	0801260	CAB PROTECTOR WELDMENT (40" HIGH)
29	1	0801290	CAB PROTECTOR WELDMENT (55" HIGH)
30	--	--	SIDE RAIL KIT, 2-PIECE
--	2	0801203	FRONT SIDE RAIL WELDMENT
--	2	0801204	REAR SIDE RAIL WELDMENT
31	--	--	SIDE RAIL KIT, 3 PIECE
--	2	0801320	SIDE RAIL, FRONT
--	2	0801321	SIDE RAIL, MIDDLE
--	2	0801322	SIDE RAIL, REAR
--	--	0900736	WINCH ASSEMBLY (COMPLETE)
32	1	0300250	WINCH ASSEMBLY
33	4	0400177	SCREW, 1/2"-13NC X 1-1/4" HEX HD CAP
34	2	0701172	SPACER, WINCH BRACKET

# Section VI - PARTS (cont'd)

## MOUNTING & TILT FRAME ASSEMBLY





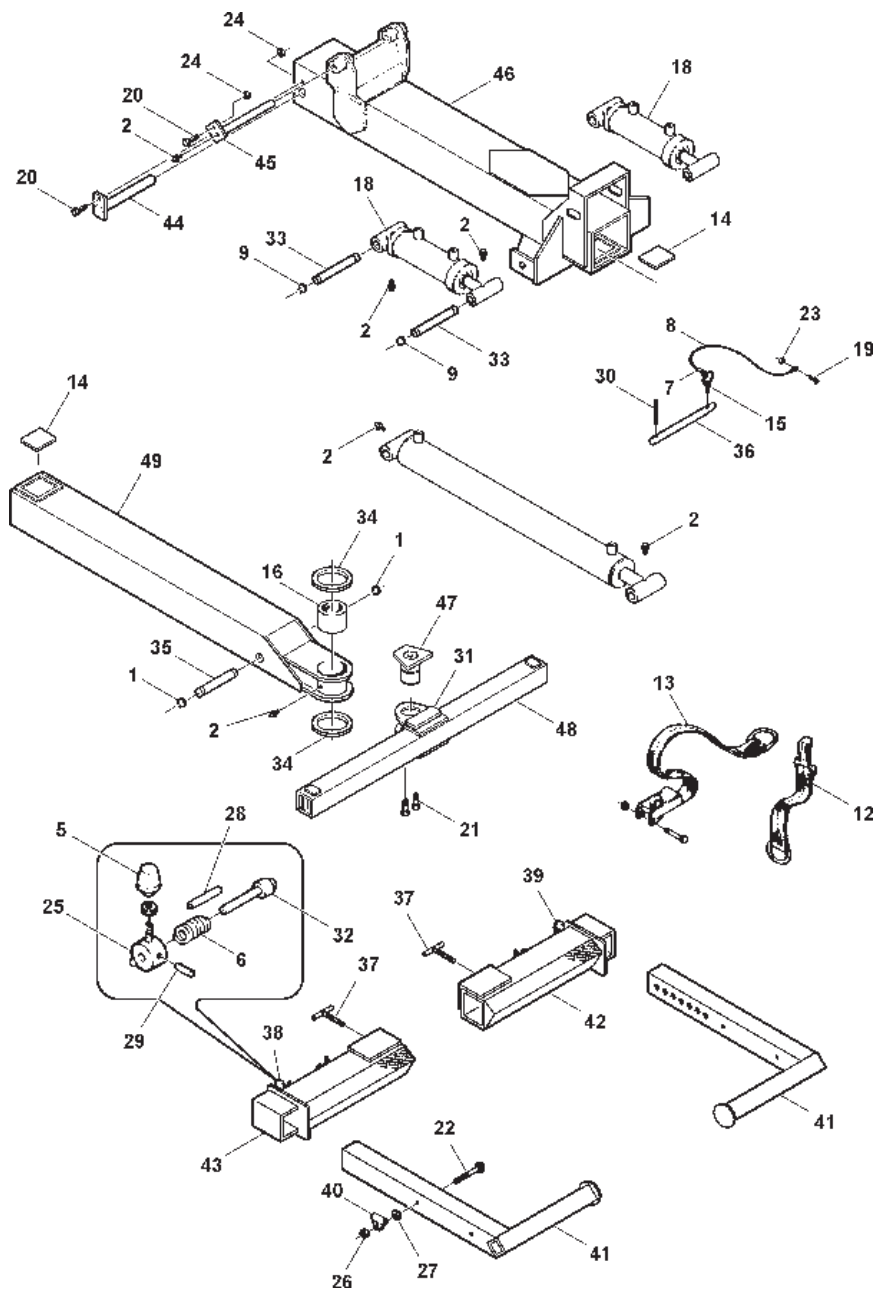
## Section VI - PARTS (cont'd)

### MOUNTING & TILT FRAME ASSEMBLY

REF. NO.	NO. REQ'D	PART NUMBER	DESCRIPTION
1	2	0300113	GREASE FITTING
2	4	0300132	WIRE TIE
3	3	0300137	WIRE CLIP
4	1	0300273	LICENCE PLATE ILLUMINATOR
5	1	0300686	THROTTLE, 25'
6	1	0300867	CONTROL PANEL ILLUMINATOR
7	2	0301223	MUD FLAP
8	2	0301390	TAIL LIGHT ASSEMBLY (RED)
9	8	0301601	CLAMP
10	1	0301671	TOW LIGHT SOCKET
11	4	0301740	GROMMET MOUNTING KIT
12	4	0301741	SEALED LAMP (RED)
13	1	0301800	JUNTION BOX
14	8	0302027	BEARING PADS
15	2	0302201	LIGHT, BACK UP (WHITE)
16	1	0302988	TOOL BOX
17	12	0400045	SCREW, #10-32 X 1/2" SELF TAPPING
18	8	0400060	SCREW, 3/8"-16 NC X 1" HEX HD CAP
19	40	0400085	SCREW, 1/4"-20 TYPE F X 1"
20	12	0400122	SCREW, 3/8"-16 X 1-1/4" HEX HD CAP
21	7	0400126	SCREW, 3/8"-16NC X 1" HEX HD CAP
22	2	0400146	SCREW, 3/8"-16 X 2-1/4" HEX HD CAP
23	28	0400253	SCREW, 5/8" - X 1-3/4"
24	6	0400260	SCREW, 5/8"-11NC X 2" HEX HD CAP
25	17	0400367	NUT, 1/4"-20 NC NYLOK
26	20	0400392	NUT, 3/8"-16 NYLOK
27	36	0400421	NUT, 5/8"-11 NYLOK
28	1	0500237	DECAL, CONTROL STATION (LEFT SIDE)
29	2	0702452	BAR, MUD FLAP MOUNTING
30	12	0703230	HEAT SHRINK TUBE
31	2	0704152	SPACER, MOUNTING BRACKET
32	2	0704326	SUPPORT, MUD FLAP
33	2	0704378	MOUNTING ANGLE
34	1	0705253	PLATE, LIGHT MOUNTING (LEFT SIDE)
35	1	0705254	PLATE, LIGHT MOUNTING (RIGHT SIDE)
36	1	0709900	MOUNTING BRACKET, MUD FLAP
37	2	0801180	MOUNTING BRACKET
38	2	0801201	PIN, TILT CYLINDER
39	2	0801202	PIVOT PIN
40	1	0801195	MOUNTING FRAME
41	1	0801860	STABILZER
42	1	0801863	TILT FRAME
43	2	0802667	MOUNTING BRACKET, TOOL BOX

# Section VI - PARTS (cont'd)

## WHEEL LIFT ASSEMBLY



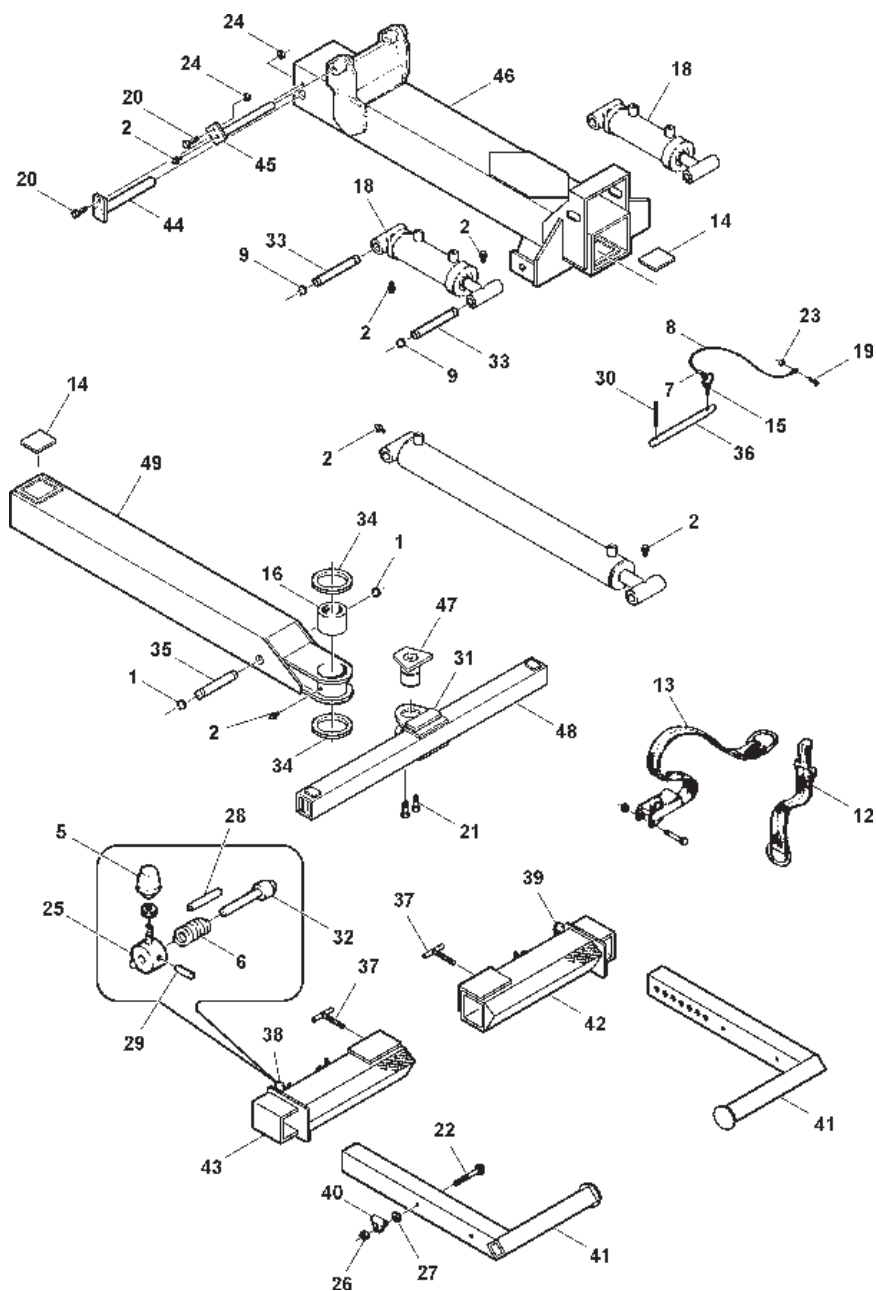
## Section VI - PARTS (cont'd)

### WHEEL LIFT ASSEMBLY

REF. NO.	NO. REQ'D	PART NUMBER	DESCRIPTION
1	2	0300110	SNAP RING, 1"
2	10	0300113	GREASE FITTING
3	4	0300132	WIRE TIE
4	2	0300142	ELBOW, 6MJ-4MP90
5	2	0300341	KNOB
6	2	0301417	PLUNGER SPRING
7	1	0301531	SLEEVE
8	1	0301553	KEEPER WIRE
9	8	0301642	SNAP RING, 1-1/4"
10	1	0301661	HOSE ASSEMBLY, 62"
11	1	0301662	HOSE ASSEMBLY, 120"
12	2	0301681	TIE DOWN STRAP
13	2	0301682	TIE DOWN RATCHET ASSEMBLY
14	2	0301850	SLIDE PAD
15	1	0301861	PIN, LYNCH
16	1	0301930	BUSHING, PIVOT PIN
17	1	0302025	CYLINDER, TOW BAR EXTEND
18	2	0302368	CYLINDER, WHEEL LIFT, UP/DOWN
19	1	0400021	SCREW, #8-32NC X 1/2" PAN HD
20	2	0400126	SCREW, 3/8"-16 X 1" HEX HD
21	2	0400203	SCREW, 1/2"-13NC X 3" GR8
22	2	0400269	BOLT, 5/8"-11NC X 4"
23	1	0400351	NUT, #8-32NC KEPS
24	2	0400392	NUT, 3/8"-16 NYLOK
25	2	0400393	NUT, 3/8"-16 JAM

# Section VI - PARTS (cont'd)

## WHEEL LIFT ASSEMBLY (cont'd)



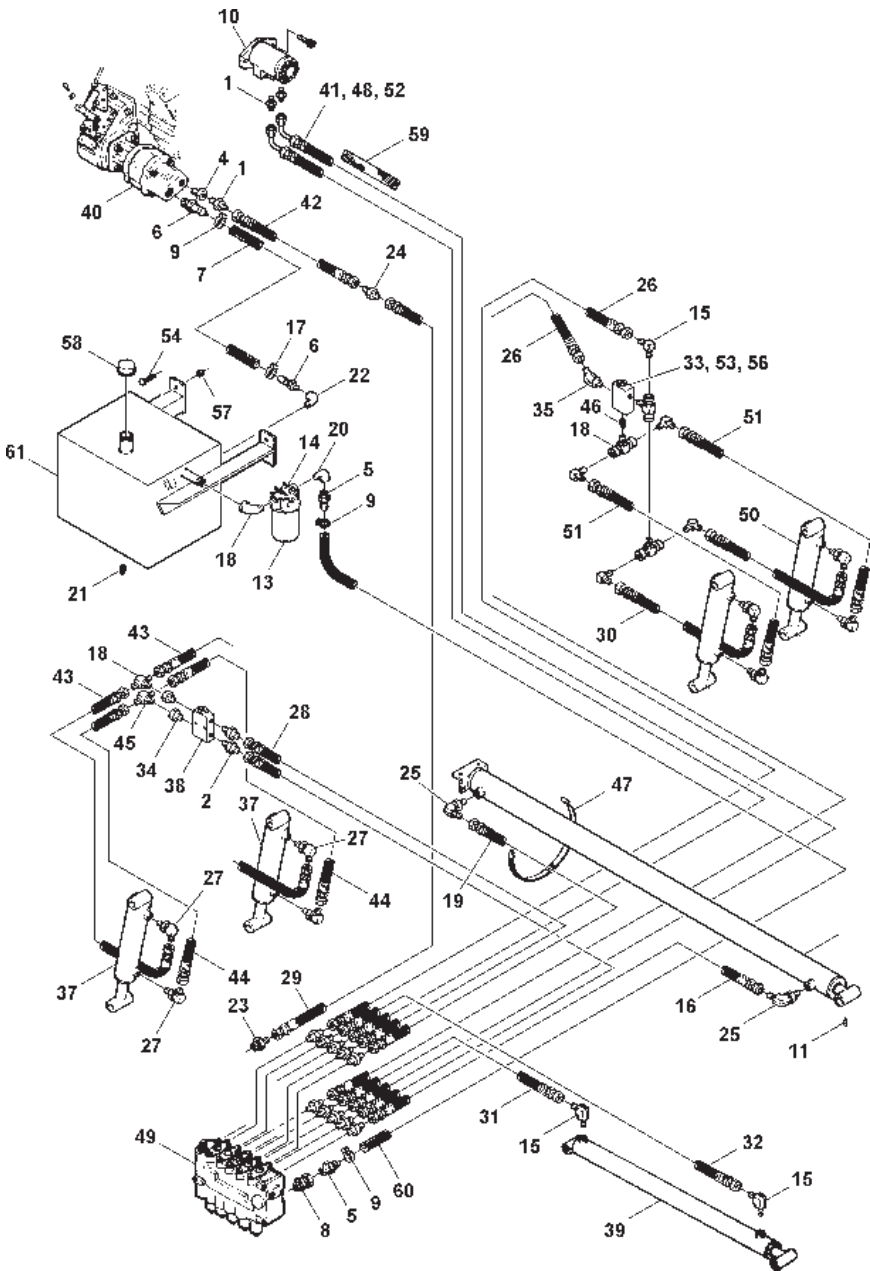
## Section VI - PARTS (cont'd)

### WHEEL LIFT ASSEMBLY (cont'd)

REF. NO.	NO. REQ'D	PART NUMBER	DESCRIPTION
26	2	0400421	NUT, 5/8"-11 NYLOK
27	2	0400505	WASHER, 5/8" FLAT
28	2	0400559	ROLL PIN, 3/16" X 1"
29	2	0400560	ROLL PIN
30	1	0400564	ROLL PIN, 3/8" X 1-3/4"
31	1	0500241	DECAL, SAFETY CHAIN WARNING
32	2	0701916	PLUNGER
33	4	0702434	PIN CYLINDER
34	2	0703747	THRUST WASHER
35	1	0704239	PIN, EXTEND CYLINDER
36	1	0704401	WHEEL LIFT ADJUSTMENT PIN
37	2	0800590	"T" HANDLE
38	1	0800837	PLUNGER HANDLE, LEFT SIDE
39	1	0800838	PLUNGER HANDLE, RIGHT SIDE
40	2	0800839	PIVOT TIE DOWN
41	2	0800841	TIRE RESTRAINT
42	1	0800902	CROSS TUBE, RIGHT SIDE
43	1	0800903	CROSS TUBE, LEFT SIDE
44	1	0801009	WHEEL LIFT PIVOT PIN
45	1	0801210	PIN, EXTEND CYLINDER PIVOT
46	1	0801859	WHEEL LIFT, OUTER TUBE
47	1	0801877	PIVOT PIN, CROSS TUBE
48	1	0801879	CROSS BAR
49	1	0801981	WHEEL LIFT, INNER TUBE

# Section VI - PARTS (cont'd)

## HYDRAULICS



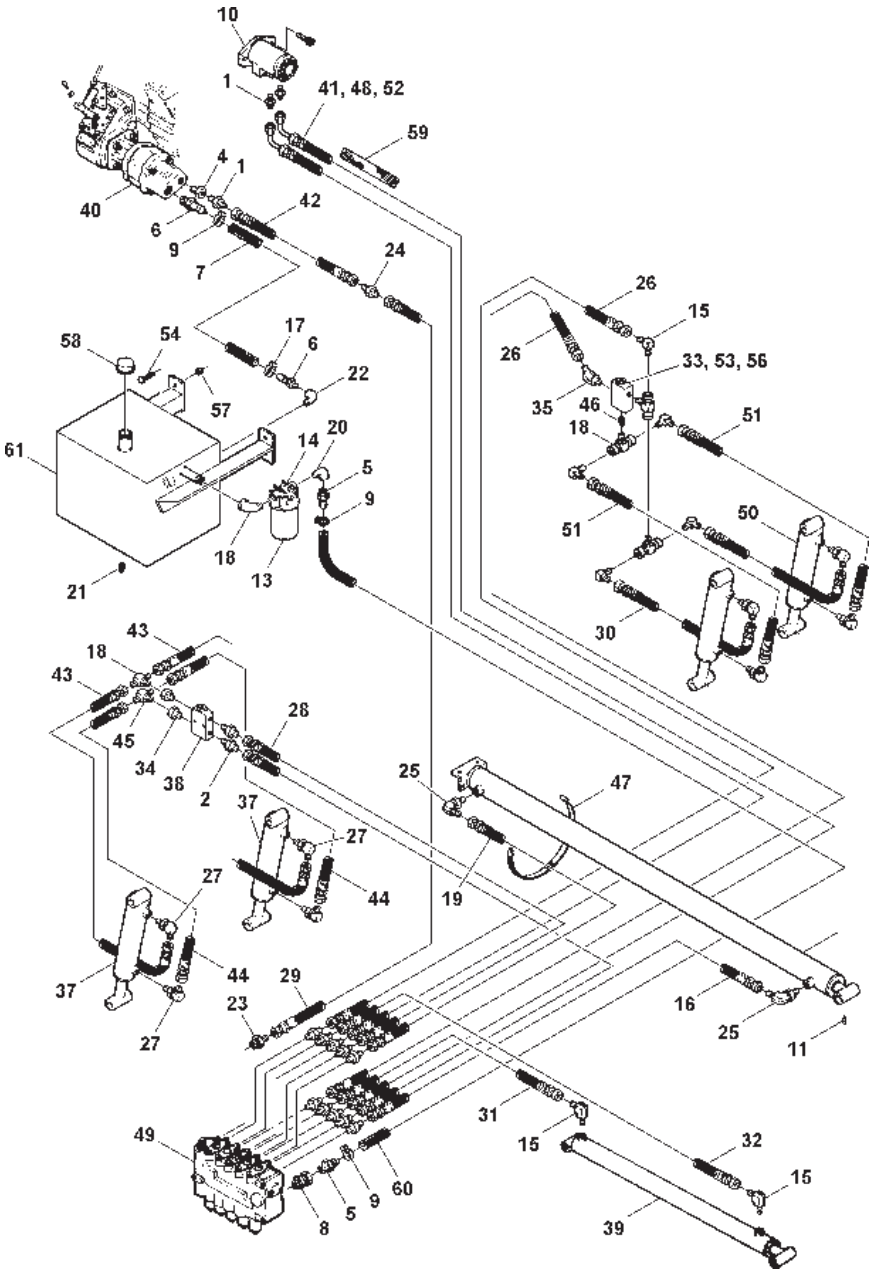
## Section VI - PARTS (cont'd)

### HYDRAULICS

REF. NO.	NO. REQ'D	PART NUMBER	DESCRIPTION
1	3	0300040	CONNECTOR, 8MJ-8MP
2	8	0300041	CONNECTOR, 8MJ-8MB
3	4	0300044	CONNECTOR 6MJ-8MB
4	1	0300050	CONNECTOR, 16MP-8FB
5	2	0300055	HOSE BARB, 3/4" X 3/4"NPT
6	2	0300056	HOSE BARB, 1" X 1"NPT
7	1	0300058	HOSE, SUCTION 1" X 96"
8	1	0300065	SWIVEL, 3/4"SAE x 3/4NPT FEMALE PIPE
9	4	0300071	CLAMP, HOSE 1"
10	1	0300090	MOTOR, WINCH
11	20	0300113	GREASE FITTING
12	9	0300132	WIRE TIE
13	1	0300135	ELEMENT, OIL FILTER REPLACEMENT
14	1	0300136	OIL FILTER ASSEMBLY
15	7	0300142	ELBOW, 6MJ-4MP90°
16	1	0300165	HOSE ASSEMBLY, 92"
17	1	0300188	HOSE CLAMP, INSULATED
18	4	0300206	TEE, 6MJ X 6MJ X 4MP
19	1	0300212	HOSE ASSEMBLY, 115"
20	2	0300288	STREET ELBOW, 3/4"NPT
21	1	0300347	PLUG, 1/2" NPT SQ HD
22	1	0300692	STREET ELBOW, 1"NPT
23	1	0300789	CONNECTOR, 5/8"SAE X 1/2"JIC
24	1	0300865	CONNECTOR, 8MJ
25	2	0301388	ELBOW, 8MJ-8MB90
26	2	0301403	HOSE ASSEMBLY, 80-1/2"
27	4	0301470	ELOBOW, 6MJ--8MB90
28	2	0301658	HOSE ASSEMBLY, 128"
29	1	0301659	HOSE ASSEMBLY, 150"
30	2	0301660	HOSE ASSEMBLY, 21"
31	1	0301661	HOSE ASSEMBLY, 62"

# Section VI - PARTS (cont'd)

## HYDRAULICS (cont'd)





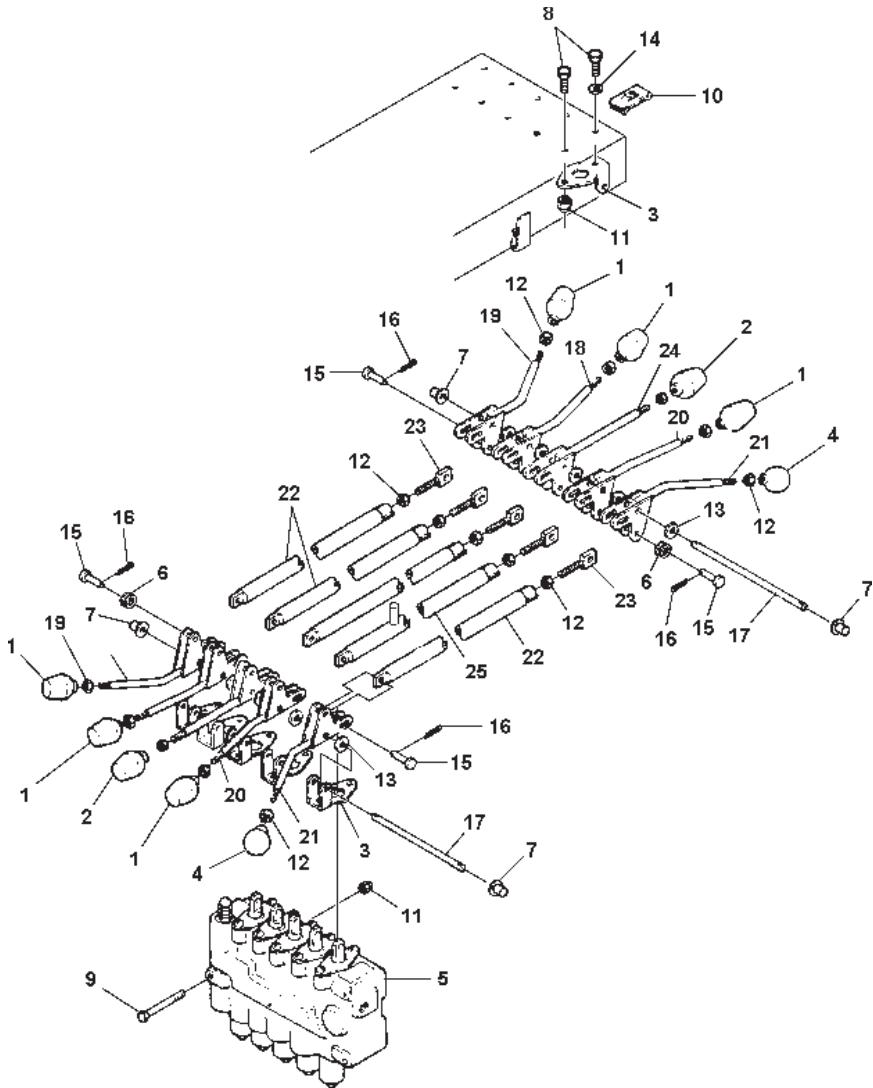
## Section VI - PARTS (cont'd)

### HYDRAULICS (cont'd)

REF. NO.	NO. REQ'D	PART NUMBER	DESCRIPTION
32	1	0301662	HOSE ASSEMBLY, 120"
33	1	0301731	LOCK VALVE, TILT CYLINDER
34	2	0301787	ADAPTOR, 8MJ-4FB
35	1	0301848	ADAPTER, 45°, 6MJ X 6MP45
36	1	0302011	CYLINDER, EXTEND
37	2	0302012	CYLINDER, TILT
38	1	0302024	CYLINDER, LOCK VALVE
39	1	0302025	EXTEND CYLINDER
40	1	0302026	PUMP
41	2	0302033	HOSE ASSEMBLY, 242" (22' CARRIER BED)
42	1	0302034	HOSE ASSEMBLY, 126"
43	2	0302035	HOSE ASSEMBLY, 18"
44	2	0302036	HOSE ASSEMBLY, 26"
45	1	0302042	TEE, ORFICE 6MJ-6MJ-4MP
46	1	0302058	REDUCER, 3/8" MALE X 1/4" FEMALE
47	11	0302062	WIRE TIE
48	2	0302099	HOSE ASSEMBLY, 224" (20' CARRIER)
49	1	0302179	VALVE, 5 SPOOL CONTROL
50	2	0302368	TILT CYLINDER, WHEEL LIFT
51	2	0302413	HOSE ASSEMBLY, 21"
52	2	0302713	HOSE ASSEMBLY, 266" (24' CARRIER)
53	2	0400078	SCREW, 1/4"-20 X 2" RD HD
54	4	0400181	SCREW, 1/2"-13 X 1-1/2"
55	2	0400196	SCREW, 1/2"-13 X 1-1/4" S.H.C.S.
56	4	0400367	NUT, 1/4"-20 NYLOK
57	4	0400408	NUT, 1/2"-13 NYLOK
58	1	0702741	CAP, RESERVOIR
59	1	0702782	SKUFF JACKET
60	1	0704366	RETURN HOSE, 3/4" X 20'
61	1	0801213	RESERVOIR

# Section VI - PARTS (cont'd)

## CONTROL & CROSSROD ASSEMBLY



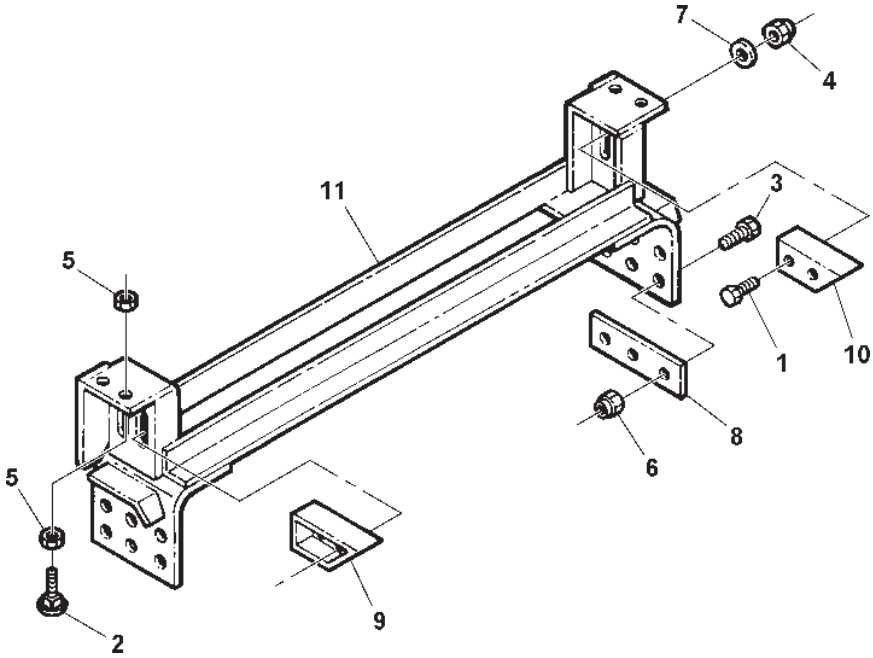
## Section VI - PARTS (cont'd)

### CONTROL & CROSSROD ASSEMBLY

REF. NO.	NO. REQ'D	PART NUMBER	DESCRIPTION
1	6	0300341	KNOB
2	2	0300834	KNOB, "IN/OUT" (RED, CABLE)
3	10	0301638	BRACKET, CONTROL HANDLE
4	2	0301720	KNOB, BALL
5	1	0302179	5-SPOOL CONTROL VALVE
6	10	0306006	SPRING, ANTI-RATTLE
7	4	0306139	END CAP, CONTROL HANDLE ROD
8	10	0400121	SCREW, 3/8"-16 X 3/4" HEX HD
9	3	0400140	SCREW, 3/8"-16 X 4" HEX HD
10	4	0400243	NUT, 3/8", TINNER MAN "J"
11	8	0400392	NUT, 3/8"-16 NYLOK
12	10	0400393	NUT, 3/8"-16 JAM
13	15	0400465	WASHER, 5/16" FLAT
14	5	0400482	LOCKWASHER, 3/8" HELICAL
15	15	0400532	CLEVIS PIN, 5/16" X 1"
16	10	0400543	COTTER PIN, 1/8" X 3/4"
17	2	0705242	CONTROL HANDLE PIVOT ROD
18	2	0800795	FRONT INNER CONTROL HANDLE
19	2	0800796	FRONT OUTER CONTROL HANDLE
20	2	0800797	REAR INNER CONTROL HANDLE
21	2	0800798	REAR OUTER CONTROL HANDLE
22	4	0800799	VALVE SHIFTER
23	5	0800800	CONTROL ROD LINK
24	2	0801566	CONTROL HANDLE, CENTER
25	1	0805036	CONTROL ROD LINK, ANTI TILT

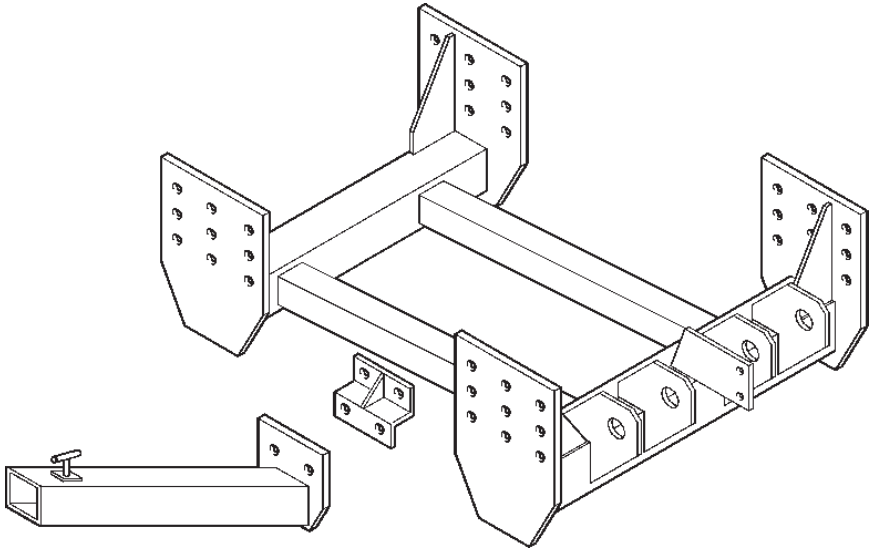
# Section VI - PARTS (cont'd)

## BED LOCK ASSEMBLY



REF. NO.	NO. REQ'D	PART NUMBER	DESCRIPTION
1	4	0400177	SCREW, 1/2"-13 NC X 1-1/4" HEX HD CAP GR5
2	4	0400200	BOLT, 1/2"-13 NC X 2" CARRIAGE GR5 PL
3	6	0400253	SCREW, 5/8"-11 X 1-3/4" CARRIAGE GR5 PL
4	4	0400408	NUT, 1/2"-13 NC NYLOK
5	8	0400410	NUT, 1/2"-13 NC HEX JAM
6	6	0400421	NUT, 5/8"-11 NC NYLOK
7	4	0400492	WASHER, 1/2" FL HD
8	2	0704334	SPACER, BED LOCK
9	1	0801205	BED LOCK PAD (LEFT SIDE)
10	1	0801206	BED LOCK PAD (RIGHT SIDE)
11	1	0801209	BED LOCK WELDMENT

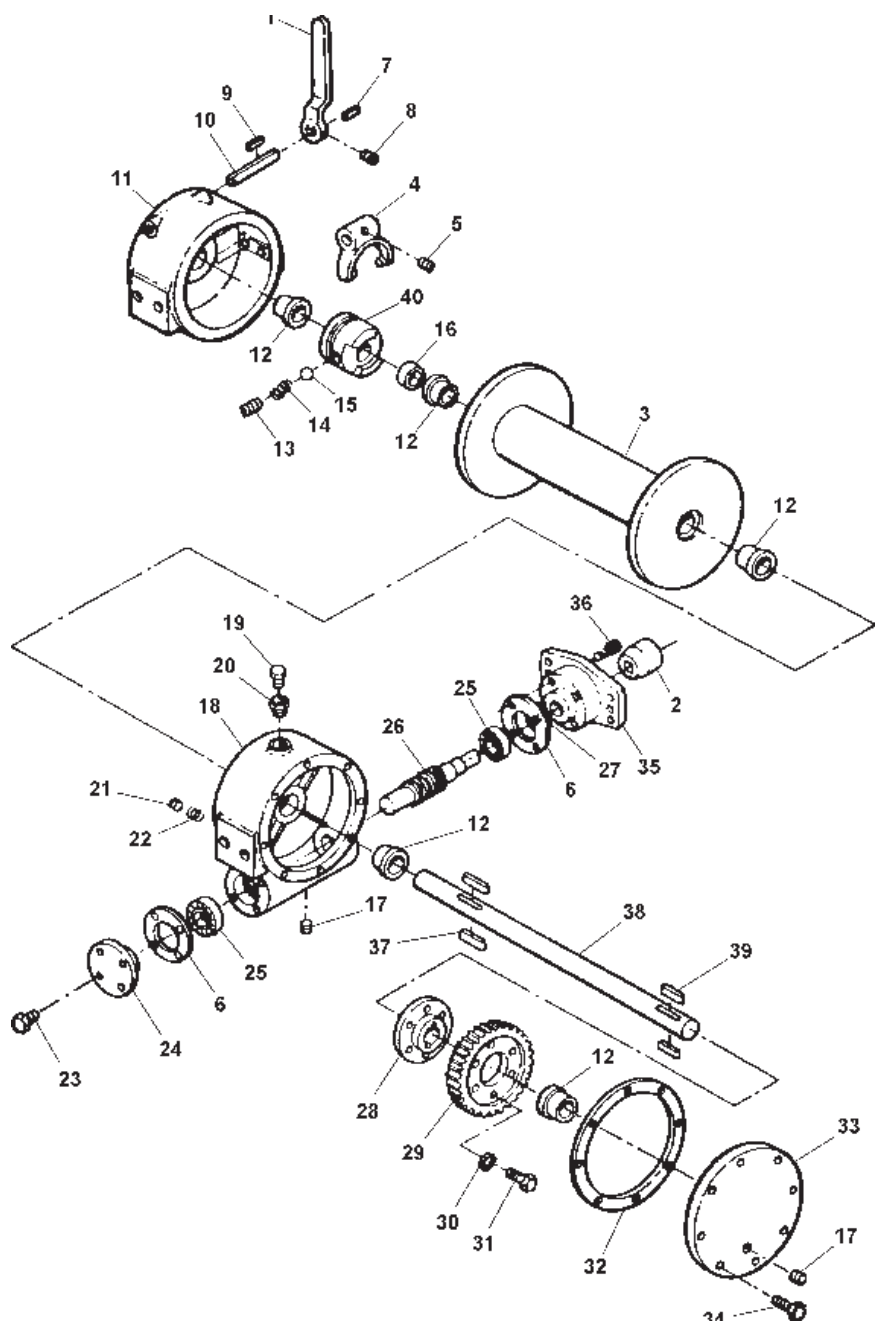
**Section VI - PARTS (cont'd)**  
**WHEEL LIFT / TOW BAR**  
**MOUNTING BRACKET**



REF. NO.	NO. REQ'D	PART NUMBER	DESCRIPTION
1	1	0801861	MOUNTING BRACKET

# Section VI - PARTS (cont'd)

## HYDRAULIC WINCH



## Section VI - PARTS (cont'd)

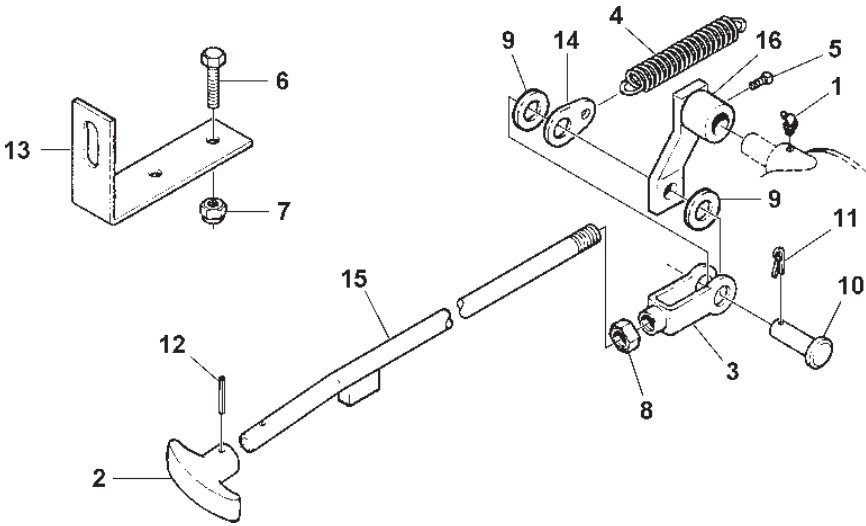
### HYDRAULIC WINCH

REF. NO.	NO. REQ'D	PART NUMBER	DESCRIPTION
1	1	0300261	LEVER
2	1	0300290	COUPLING
3	1	0300381	DRUM
4	1	0300398	YOKE
5	1	0300399	SCREW
6	2	0300447	GASKET
7	1	0300448	KEY
8	1	0300449	SCREW
9	1	0300450	KEY
10	1	0300451	SHAFT
11	1	0300452	CLUTCH HOUSING
12	5	0300453	BUSHING
13	1	0300454	SCREW
14	1	0300455	SPRING
15	1	0300456	BALL
16	1	0300458	SPACER
17	2	0300459	PLUG
18	1	0300460	HOUSING
19	1	0300461	PLUG
20	1	0300462	REDUCER
21	1	0300463	DRAG BRAKE
22	1	0300464	SPRING
23	16	0300465	SCREW
24	1	0300466	CAP
25	2	0300467	BEARING
26	1	0300468	WORM
27	1	0300471	SEAL
28	1	0300472	HUB
29	1	0300473	GEAR
30	6	0300474	WASHER
31	6	0300475	SCREW
32	1	0300476	GASKET
33	1	0600477	COVER
34	4	0300569	SCREW
35	1	0300694	CAP ADAPTER
36	1	0300695	SCREW
37	2	--	KEY
38	1	--	SHAFT
39	2	--	KEY
40	1	--	CLUTCH

\* When ordering specify which serial number.

# Section VI - PARTS (cont'd)

## WINCH CLUTCH CONTROL

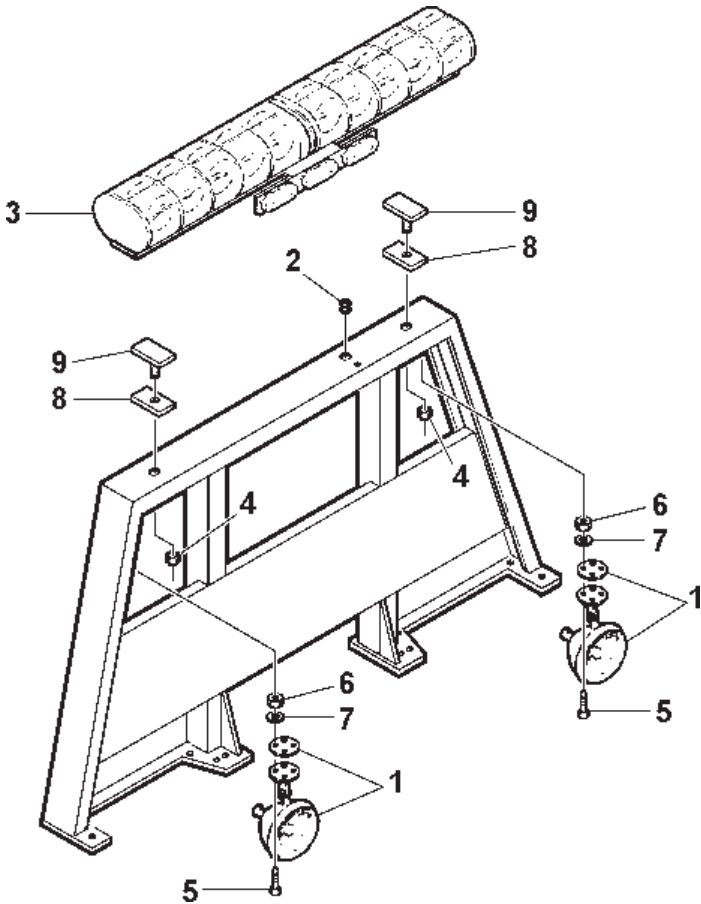


REF. NO.	NO. REQ'D	PART NUMBER	DESCRIPTION
1	1	0300845	SPRING COMPRESSION
2	1	0301397	GREASE FITTING, 90°
3	1	0301532	"T" HANDLE
4	1	0301588	ADJUSTING YOKE
5	1	0400115	SCREW, 5/16"-18 X 1/2" SQ HD SET
6	1	0400126	SCREW, 3/8"-16 X 1" HEX HD CAP
7	1	0400150	SCREW, 3/8"-16 X 2" HEX HD CAP
8	2	0400392	NUT, 3/8"-16 NYLOK
9	1	0400393	NUT, 3/8"-16 JAM
10	4	0400492	WASHER, 1/2" FLAT
11	1	0400537	PIN, 1/2" X 1-1/2" CLEVIS
12	1	0400546	PIN, 1/8" X 1-1/4" COTTER
13	2	0400560	PIN, 5/32" X 1" ROLL
14	1	0702408	MOUNTING CHANNEL
15	1	0800780	CONTROL ROD, SINGLE WINCH
16	1	0801270	WELDMENT, BELL CRANK



# Section VI - PARTS (cont'd)

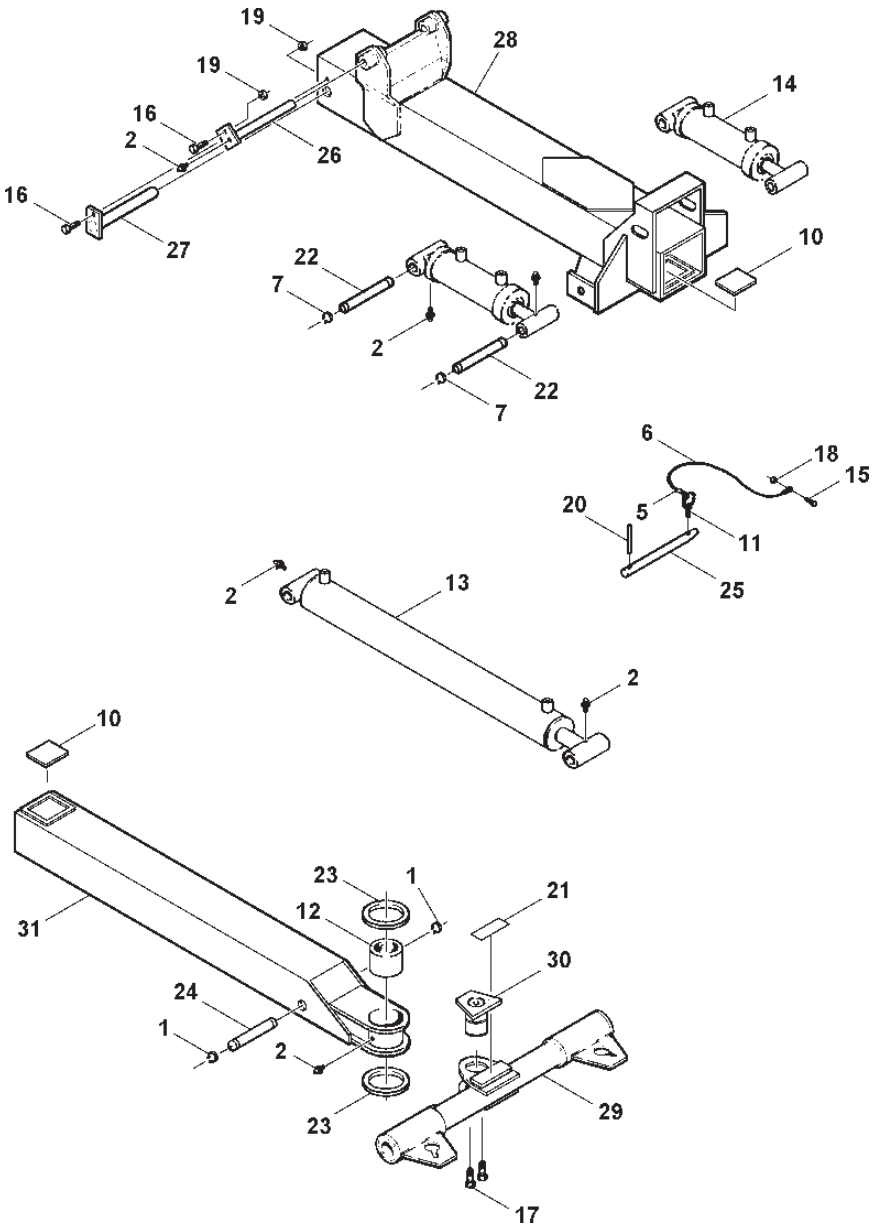
## OPTIONAL LIGHTING ACCESSORIES



REF. NO.	NO. REQ'D	PART NUMBER	DESCRIPTION
1	2	0300095	SPOT LIGHT W/GASKET
2	2	0300897	GROMMET, RUBBER
3	1	0301359	WRECKER SPECIAL LIGHT
4	2	0400392	NUT, 3/8"-16 NYLOK
5	8	0400043	SCREW, #10-24 X 1" MACHINE
6	8	0400356	NUT, #10-24 HEX
7	8	0400520	LOCK WASHER, #10
8	2	0709872	RUBBER CUSHION
9	2	0800539	"T" BOLT ADAPTER

# Section VI - PARTS (cont'd)

## TOWBAR ASSEMBLY



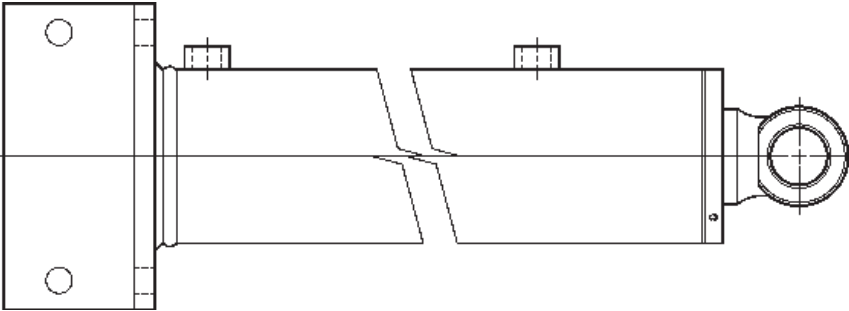
## Section VI - PARTS (cont'd)

### TOWBAR ASSEMBLY

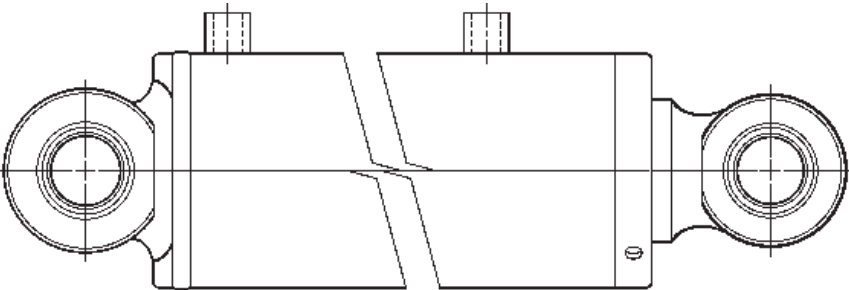
REF. NO.	NO. REQ'D	PART NUMBER	DESCRIPTION
1	2	0300110	SNAP RING, 1"
2	1	0300113	GREASE FITTING
3	4	0300132	WIRE TIE
4	2	0300142	ELBOW, 6MJ-4MP90
5	1	0301531	SLEEVE
6	1	0301553	KEEPER WIRE
7	8	0301642	SNAP RING, 1-1/4"
8	1	0301661	HOSE ASSEMBLY, 62"
9	1	0301662	HOSE ASSEMBLY, 120"
10	2	0301850	SLIDE PAD
11	1	0301861	PIN LYNCH
12	1	0301930	BUSHING, PIVOT PIN
13	1	0302025	CYLINDER, TOW BAR EXTEND
14	2	0302368	CYLINDER, TOW BAR UP/DOWN
15	1	0400021	SCREW, #8-32 NC X 1/2" PAN HD
16	2	0400126	SCREW, 3/8"-16 X 1" HEX HD
17	2	0400203	SCREW, 1/2"-13 NC X 3" GR8
18	1	0400351	NUT, #8-32 NC KEPS NUT
19	2	0400392	NUT, 3/8"-16 NYLOK
20	1	0400564	ROLL PIN, 3/8" X 1-3/4"
21	1	0500241	DECAL, SAFETY CHAIN WARNING
22	4	0702434	PIN CYLINDER
23	2	0703747	THRUST WASHER
24	1	0704239	PIN, EXTEND CYLINDER PIVOT 1" X 6-3/8"
25	1	0704401	TOW BAR ADJUSTMENT PIN
26	1	0801009	TOW BAR PIVOT PIN
27	1	0801210	PIN, EXTEND CYLINDER PIVOT
28	1	0801859	TOW BAR, OUTER TUBE
29	1	0801872	TOW BAR, CROSS TUBE
30	1	0801877	PIVOT PIN, CROSS TUBE
31	1	0801981	TOWBAR, INNER TUBE

# Section VI - PARTS (cont'd)

## HYDRAULIC CYLINDERS



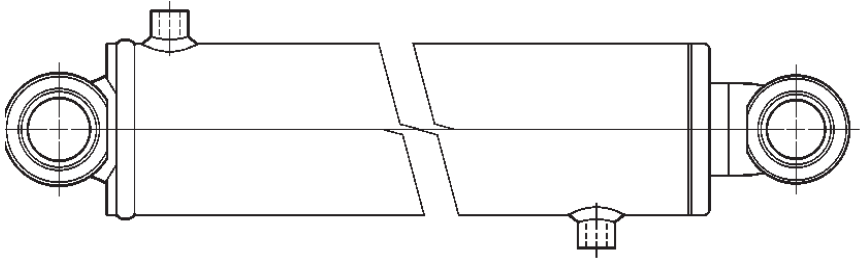
REF. NO.	NO. REQ'D	PART NUMBER	DESCRIPTION
1	1	0302011	CYLINDER, BED EXTEND (COMPLETE)
2	1	0304322	SEAL KIT, BED EXTEND CYLINDER



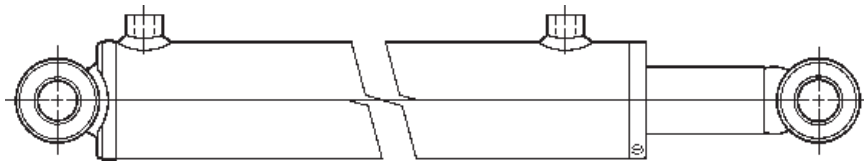
REF. NO.	NO. REQ'D	PART NUMBER	DESCRIPTION
1	1	0302012	CYLINDER, BED TILT (COMPLETE)
2	1	0304322	SEAL KIT, BED TILT CYLINDER

## Section VI - PARTS (cont'd)

### HYDRAULIC CYLINDERS



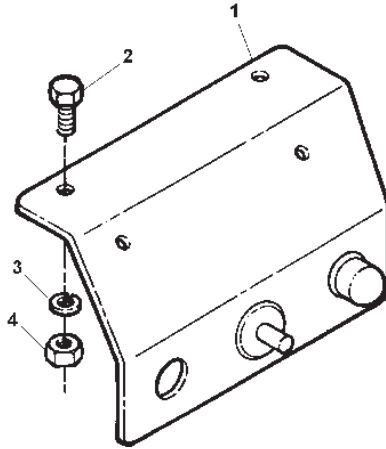
REF. NO.	NO. REQ'D	PART NUMBER	DESCRIPTION
1	2	0302368	CYLINDER, W/L T/B LIFT (COMPLETE)
2	1	0304219	SEAL KIT, W/L T/B LIFT CYLINDER



REF. NO.	NO. REQ'D	PART NUMBER	DESCRIPTION
1	1	0302025	CYLINDER, W/L T/B EXTEND (COMPLETE)
2	1	0304325	SEAL KIT, W/L T/B EXTEND CYLINDER

# Section VI - PARTS (cont'd)

## STANDARD PTO PANEL

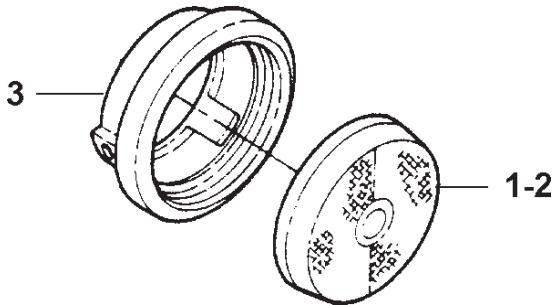


REF. NO.	NO. REQ'D	PART NUMBER	DESCRIPTION
1	1	0301675	PANEL (COMPLETE)
2	2	0400061	SCREW, 1/4"-20 X 3/4"
3	2	0400366	NUT, 1/4"-20 HEX
4	2	0400452	LOCKWASHER, 1/4"

## Section VI - PARTS (cont'd) LIGHT KIT



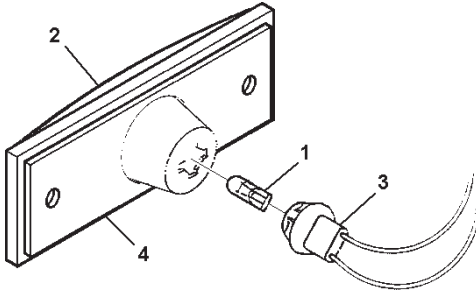
REF. NO.	PART NUMBER	DESCRIPTION
1	0301390	LIGHT, SEALED RED (STOP & TURN)
2	0302201	LIGHT, SEALED WHITE (BACK-UP)
3	0301741	TAIL LIGHT GROMMET



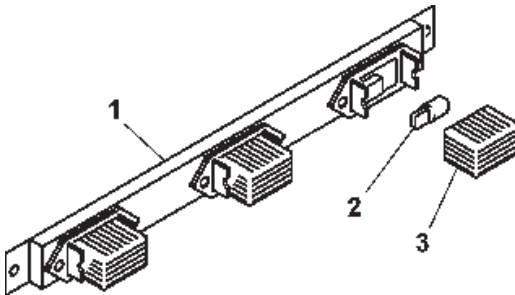
REF. NO.	PART NUMBER	DESCRIPTION
1	0301740	MARKER LIGHT GROMMET
2	0301741	LIGHT, SEALED MARKER (RED)
3	0301742	LIGHT, SEALED MARKER (AMBER)

# Section VI - PARTS (cont'd)

## LIGHT KIT



REF. NO.	PART NUMBER	DESCRIPTION
1	0300507	BULB, MARKER LIGHT
2	0306120	LENS & HOUSING, RECTANGULAR MARKER
3	0306121	PIGTAIL, MARKER LIGHT 12"
4	0306122	RUBBER GASKET
5	GP132	LIGHT, AMBER MARKER, RECTANGULAR (COMPLETE)

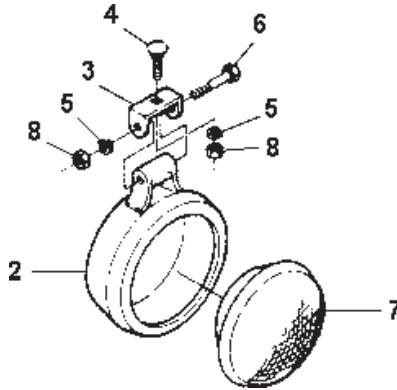


REF. NO.	PART NUMBER	DESCRIPTION
1	0301740	GROMMET MOUNTING KIT
2	0301742	LIGHT ASSEMBLY (AMBER)
3	0301742	LIGHT ASSEMBLY (AMBER)

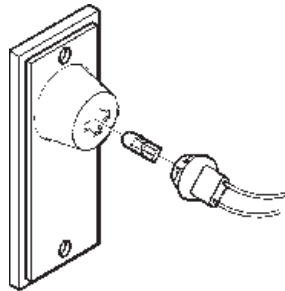


## Section VI - PARTS (cont'd)

### LIGHT KIT



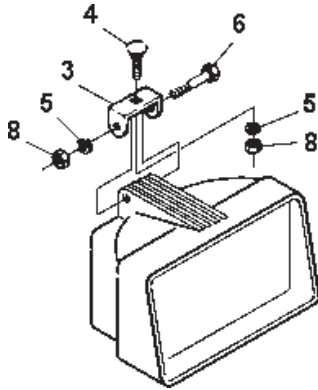
REF. NO.	PART NUMBER	DESCRIPTION
1	0301505	WORK LIGHT (COMPLETE)
2	0304146	HOUSING, WORK LIGHT
3	0304148	MOUNTING BRACKET
4	0304149	MOUNTING SCREW
5	0304150	LOCKWASHER
6	0304151	PIVOT SCREW
7	0304152	BULB, WORK LIGHT
8	0304153	NUT



REF. NO.	PART NUMBER	DESCRIPTION
1	LT0118	LIGHT, AMBER MARKER, RECTANGULAR (COMPLETE)

# Section VI - PARTS (cont'd)

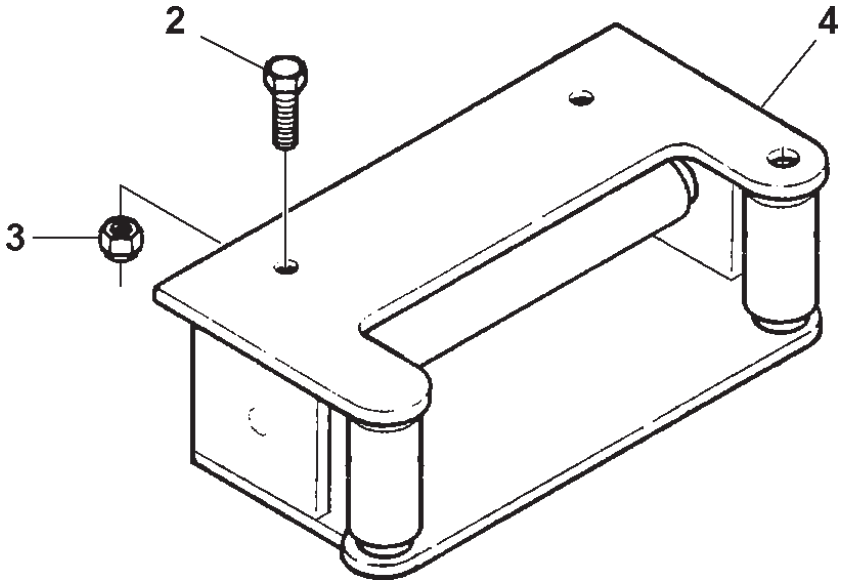
## LIGHT KIT



REF. NO.	PART NUMBER	DESCRIPTION
1	174008003	RECTANGULAR WORK LIGHT (COMPLETE)
2	0304146	HOUSING, WORK LIGHT
3	0304148	MOUNTING BRACKET
4	0304149	MOUNTING SCREW
5	0304150	LOCKWASHER
6	0304151	PIVOT SCREW
7	0304152	BULB, WORK LIGHT
8	0304153	NUT

## Section VI - PARTS (cont'd)

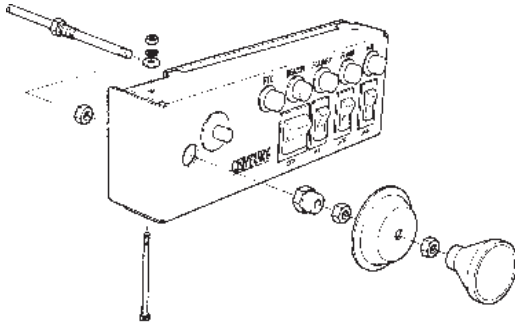
### OPTIONAL CABLE ROLLER ASSEMBLY



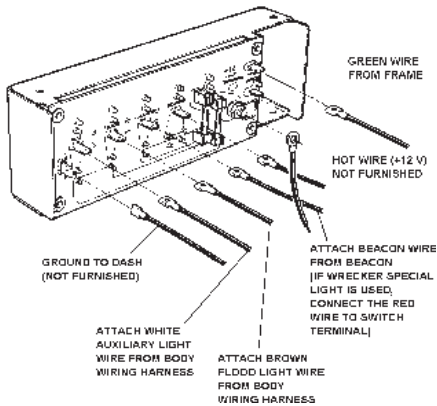
REF. NO.	NO. REQ'D	PART NUMBER	DESCRIPTION
1	--	0900892	CABLE ROLLER ASSEMBLY
2	2	0400177	SCREW, 1/2"-13 X 1-1/4" HEX HD
3	2	0400408	NUT, 1/2"-13 NYLOK
4	1	0805037	CABLE ROLLER GUIDE WELDMENT

# Section VI - PARTS (cont'd)

## OPTIONAL DASHBOARD PANEL



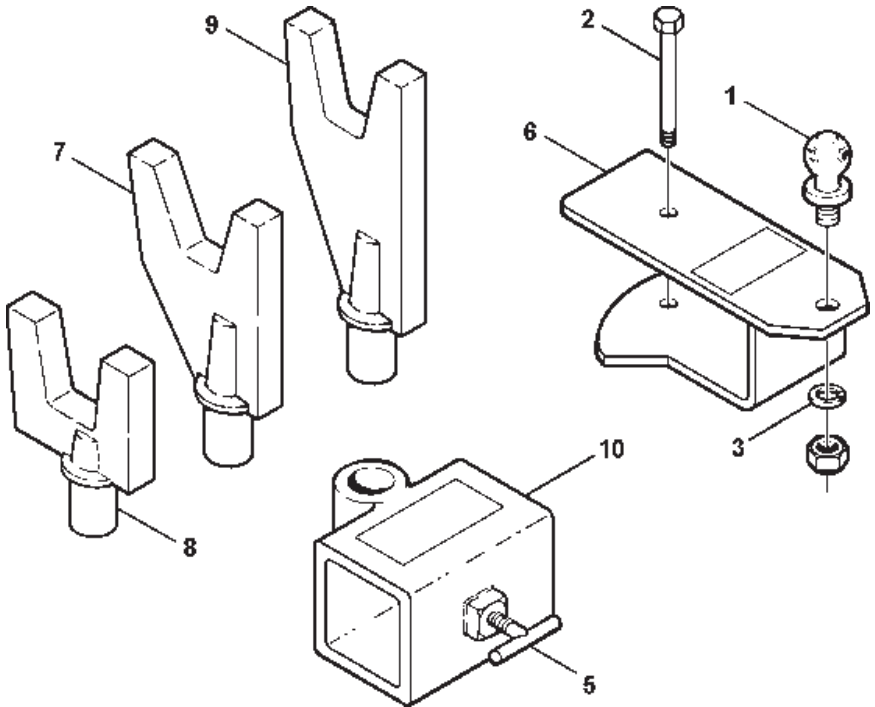
NOTE: CRIMP ALL WIRE CONNECTORS SECURELY.



REF. NO.	NO. REQ'D	PART NUMBER	DESCRIPTION
1	1	0300395	PTO, CABLE, 10'
2	1	0301503	RING CONNECTOR
3	2	0304006	SWITCH, SINGLE POLE, SINGLE THROW
4	1	0304154	SWITCH, DOUBLE POLE, SINGLE THROW
5	1	0304155	SWITCH PANEL HOUSING
6	2	0304156	MOUNTING SCREW, #10-32 X 3-3/8"
7	2	0304157	LOCKWASHER, #10 EXTEND TOOTH
8	2	0304158	FLATWASHER, #10
9	2	0304159	SPACER TUBE
10	2	0304160	JAM NUT
11	1	0304161	ACTUATOR DISK
12	2	0304162	CIRCUIT BREAKER, 40 AMP
13	1	0304163	PTO KNOB
14	1	0304164	PTO LIGHT SWITCH
15	3	0304165	SPADE CONNECTOR
16	2	0304166	NUT, 10-32

## Section VI - PARTS (cont'd)

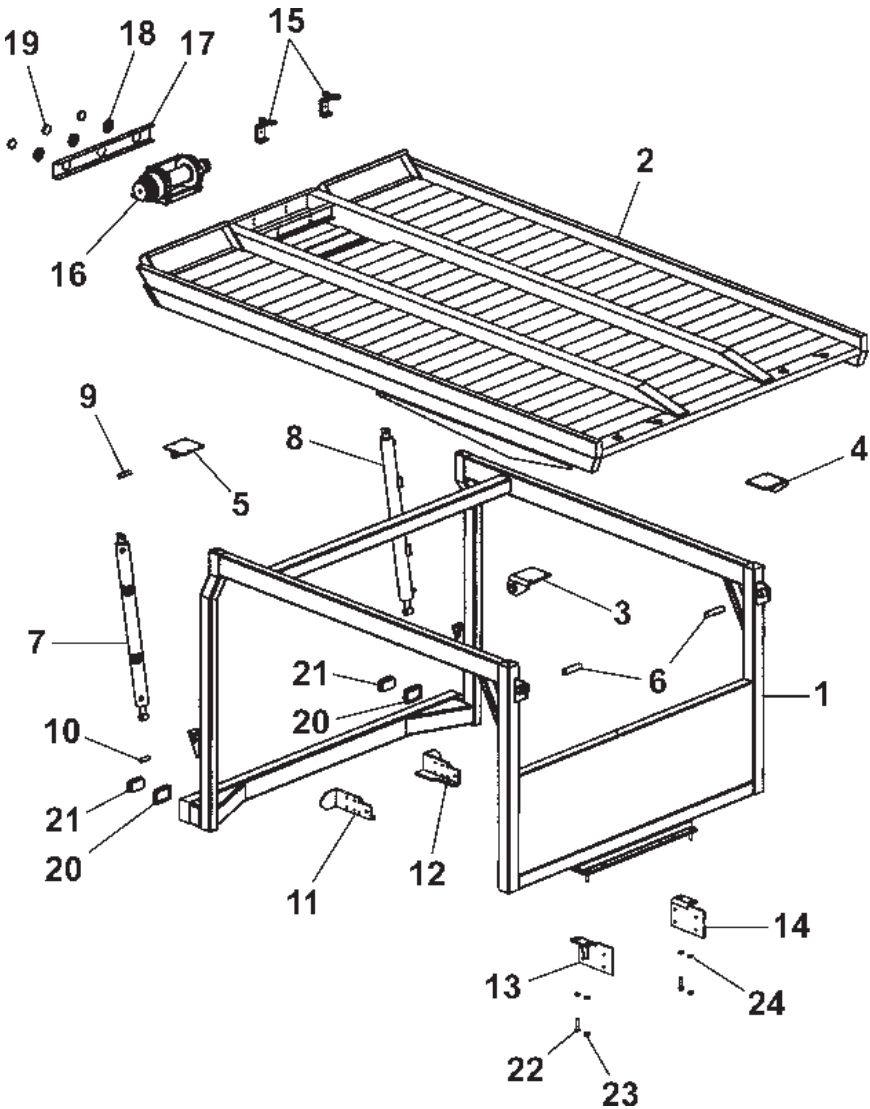
### OPTIONAL LIFT ADAPTERS



REF. NO.	NO. REQ'D	PART NUMBER	DESCRIPTION
1	1	0300091	TOW BALL
2	1	0400294	TOWBALL MOUNTING BOLT
3	1	0400511	FLATWASHER
4	2	0500241	DECAL, SAFETY CHAIN WARNING
5	2	0800590	"T" HANDLE
6	1	0800820	TOW BALL BRACKET
7	2	0800857	FORK WELDMENT, MEDIUM
8	2	0800858	FORK WELDMENT, SHORT
9	2	0800859	FORK WELMENT, LONG
10	2	0800861	FORK LIFT ADAPTER

# Section VI - PARTS (cont'd)

## OPTIONAL CAB RACK ASSEMBLY



## Section VI - PARTS (cont'd)

### OPTIONAL CAB RACK ASSEMBLY

REF. NO.	NO. REQ'D	PART NUMBER	DESCRIPTION
1	1	40104	CAB RACK FRAME GM KODIAK, INTERNATIONAL 4900
--	1	40105	CAB RACK FRAME INTERNATIONAL 4400, KENWORTH, FREIGHTLINER FL70
--	1	40106	CAB RACK FRAME FORD F750
2	1	41800	STEEL DECK - STANDARD
--	1	41801	STEEL DECK - SETBACK
--	1	41854	ALUMINUM DECK - STANDARD
--	1	41855	ALUMINUM DECK - SETBACK
3	1	45165L	HINGE PLATE - LEFT
4	1	45165R	HINGE PLATE - RIGHT
5	2	45135	CYLINDER BRACKET
6	2	45120	HINGE PIN
7	1	72130L	LIFT CYLINDER - LEFT
8	1	72130R	LIFT CYLINDER - RIGHT
9	2	43145	CYLINDER PIN - TOP
10	2	43140	CYLINDER PIN - BOTTOM
11	1	434300L	FRONT MOUNTING BRACKET - LEFT
12	1	434300R	FRONT MOUNTING BRACKET - RIGHT
13	1	43250L	REAR MOUNTING BRACKET - LEFT
--	1	43250L2	REAR MOUNTING BRACKET - LEFT INTL 4400
14	1	43250R	REAR MOUNTING BRACKET - RIGHT
15	2	43535	SAFETY CHAIN HOOK
16	1	71102	PLANETARY WINCH
--	1	87141	WINCH CABLE 3/8" X 62 FT.
17	1	43510	ALUMINUM BEZEL
18	3	93150	GROMMET - MARKER LIGHT
19	3	93100A	MARKER LIGHT - AMBER
20	2	96550	GROMMET - TURN SIGNAL
21	2	98010	TURN SIGNAL - AMBER
22	4	81610	BOLT 3/4-10 UNC X 3 GR5
23	4	83520	NYLON LOCK NUT 3/4-10 UNC
24	8	82510	FLAT WASHER 3/4







---

## **CENTURY®**

Miller Industries Towing Equipment Inc.

8503 Hilltop Drive • Ooltewah, Tennessee 37363 • (423) 238-4171

[www.millerind.com](http://www.millerind.com)