

# CENTURY<sup>®</sup>

LEGENDARY LEADERSHIP

---

---



## OWNER'S MANUAL

# SERIES 20 LCG GENERATION II CARRIER

## INSTALLATION, OPERATION, MAINTENANCE & PARTS

**NOTE: MANUAL including SPECIFICATIONS, subject to change without notice.  
All ratings specified are based on structural factors only,  
not vehicle capacities or capabilities.**

**CENTURY<sup>®</sup>**

Miller Industries PA Operations

2755 Kirila Blvd.

Hermitage PA 16148

Phone (724) 981-3328

FORM NO. 0540018

REV. 12/2021

PRICE \$25.00

## Section VI - PARTS

This Section is provided by the manufacturer for the purpose of ordering any component part of the **20 Series LCG Carrier** that may be required when part replacement is necessary. Be certain to use only original equipment replacement parts for warranty purposes as well as for keeping your **20 Series LCG Carrier** in its original state and optimum operating capacities.

When ordering replacement or spare parts be sure to provide the following information to your carrier manufacturer authorized representative.

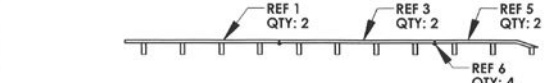
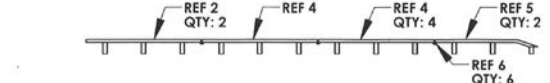
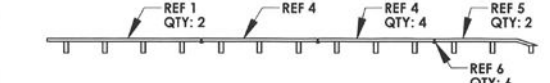
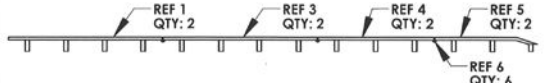
1. **Manual Number & Date of Publication**
2. **Manual Page Number**
3. **Page Title**
4. **Reference Number of Part Desired**
5. **Part Number**
6. **Part Description**
7. **Quantity of Part Desired**

Providing this information will help ensure that the correct parts will be delivered to you in an expedient manner without delay. Should additional information be required for repair or replacement of certain components, contact **Miller Industries, Hermitage, PA, Phone: 724-981-3328**.

The Manufacturer reserves the right, without notice or obligation, to improve or modify their products, which may change the specifications, models and feature availability.

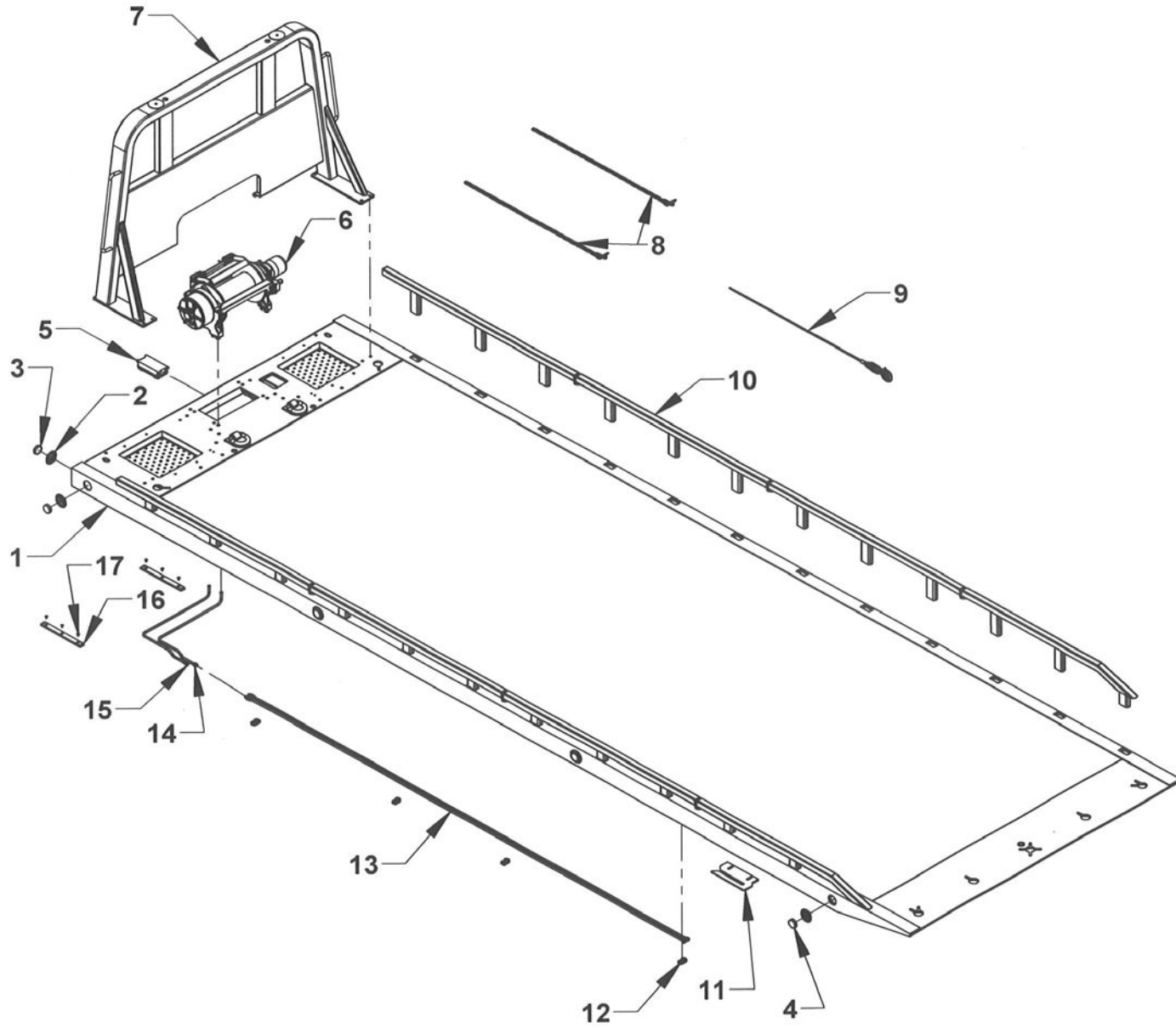
## Section VI - PARTS

### REMOVABLE TUBE SIDE RAILS

ASSEMBLY #	BED LENGTH	REMOVABLE TUBE SIDE RAIL COMBINATIONS
09009171-230	24 FT	
09009171-250	25 TO 26 FT	
09009171-270	27 TO 28 FT	
09009171-290	29 TO 30 FT	

REF	PART #	DESCRIPTION	QPU
1	346095F	FRONT REMOVABLE TUBE RAIL - 4 POST	SEE CHART
2	346071F	FRONT REMOVABLE TUBE RAIL - 3 POST	SEE CHART
3	346095M	MIDDLE REMOVABLE TUBE RAIL - 4 POST	SEE CHART
4	346071M	MIDDLE REMOVABLE TUBE RAIL - 3 POST	SEE CHART
5	346064	REAR REMOVABLE TUBE RAIL - 3 POST	SEE CHART
6	0306070	LYNCH PIN - 7/16 x 1-3/4	SEE CHART

**Section VI - PARTS**  
**GEN2 SERIES 20 LCG STEEL BED ASSEMBLY**



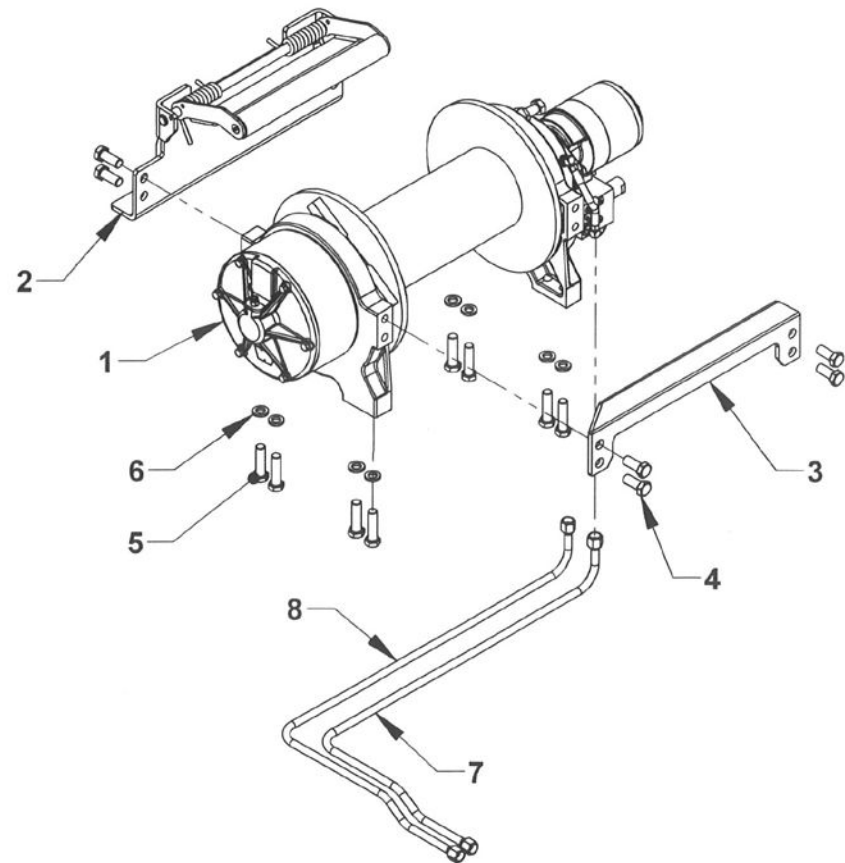
## Section VI - PARTS

### 20 LCG GEN2 STEEL BED ASSEMBLY REMOVABLE RAIL

REF	PART #	QTY	DESCRIPTION
1	3028420XXX	1	SERIES 20 G2 STEEL BED XXX = 240, 250, 260, 270, 280, 290, 300
2	0311516	10	2-1/2 IN. MARKER LIGHT GROMMET
3	0311513	8	2-1/2 IN. AMBER MARKER LIGHT
4	0311512	2	2-1/2 IN. RED MARKER LIGHT
5	0303385	1	10 POST JUNCTION BOX
6	7112014	1	WARN WINCH 20000 LBS.
7	35FL0XX	1	CAB PROTECTOR XX = 48, 50, 52, 54, 57, 60, 62, 64, 66, 68
8	0302493	2	FRONT SAFETY CHAIN ASSEMBLY 5/16 x 8 FT.
9	0306034	1	WINCH CABLE ASSEMBLY 9/16 x 100 FT.
10	09009171-XXX	1	REMOVABLE TUBE RAIL (SEE CHART)
11	33813	1	ANTI-TILT PLATE
12	0751188	4	FLUID TUBE MOUNTING BLOCK- LOWER
13	383S2-XXX	2	SERIES 20/30/40 UNDER BODY FLUID TUBE XXX = 240, 250, 260, 270, 280, 290, 300
14	343046	1	WINCH MOTOR FLUID TUBE - WARN 20XL - SHORT
15	343050	1	WINCH MOTOR FLUID TUBE - WARN 20XL - LONG
16	03013520	2	I-BEAM WEAR PAD
17	04000844	6	FHSCS 5/16-18 x 5/8 ZP

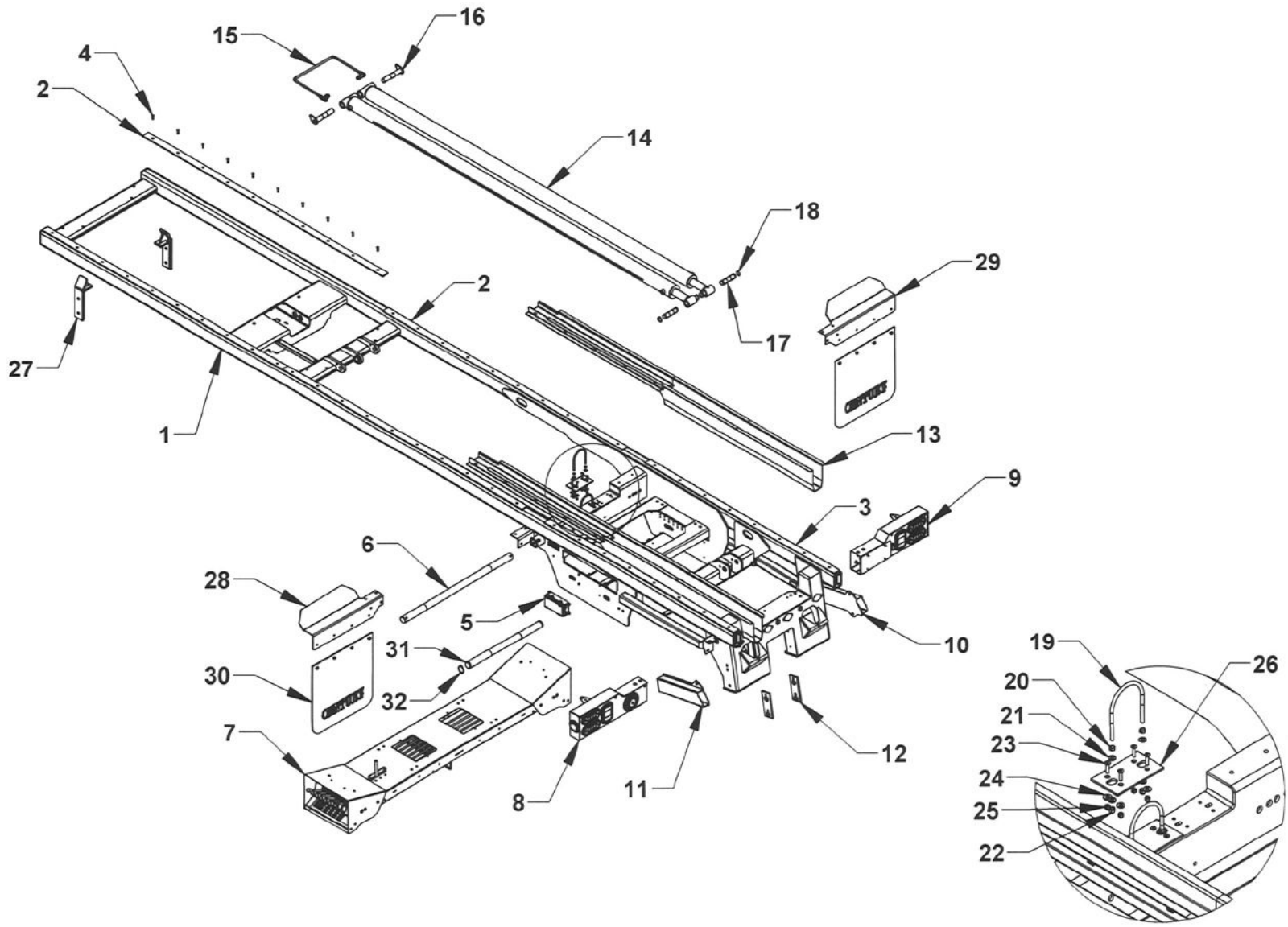
## Section VI - PARTS

### WARN 20XL PLANETARY WINCH



REF	PART #	QTY	DESCRIPTION
1	7112014	1	WARN SERIES 20XL PLANETARY WINCH
2	03025572	1	WARN 20XL TENSIONER
3	0750984	1	DRUM SUPPORT CROSSBAR
4	0400252	8	BOLT HHCS 5/8-11 UNC x 1-1/2 GR5
5	0403141	8	BOLT HHCS 5/8-11 UNC x 2-1/4 GR8
6	0400508	8	LOCK WASHER 5/8
7	343046	1	LCG IND WINCH FLUID TUBE 20XL - SHORT
8	343050	1	LCG IND WINCH FLUID TUBE 20XL - LONG

**Section VI - PARTS**  
**20 SERIES LCG SUBFRAME COMPONENTS**



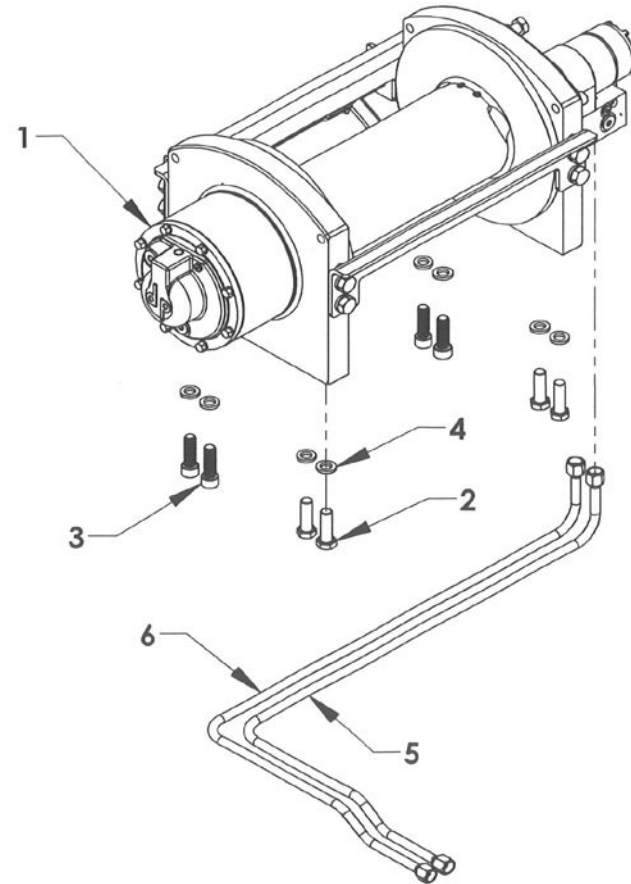
## Section VI - PARTS

### SERIES 20 GEN 2 LCG SUBFRAME ASSEMBLY

REF	PART #	QTY	DESCRIPTION
1	0809661-XX	1	SERIES 20 G2 SUBFRAME XX - 24, 25, 26, 27, 28, 29, 30
2	0308927-96	4	SUBFRAME BEARING PAD 5/16 x 2-1/4 x 96
	0308927-66		SUBFRAME BEARING PAD 5/16 x 2-1/4 x 66
	0308927-56		SUBFRAME BEARING PAD 5/16 x 2-1/4 x 56
3	0308927-96N	2	SUBFRAME BEARING PAD NYLATRON 5/16 x 2-1/4 x 96
4	04000321	62	BOLT 5/16 -18 x 1-1/4 COUNTERSUNK TORX ST
5	0303385	1	10 POST JUNCTION BOX
6	0751264	1	S20 LCG HINGE PIN
7	183126	1	6-SPOOL CONTROL STATION
	183129		9-SPOOL CONTROL STATION
8	0940325L	1	CENTURY TAIL LIGHT HOUSING GROUP - LH
9	0940325R	1	CENTURY TAIL LIGHT HOUSING GROUP - RH
10	0809287R	1	L-ARM STORAGE TUBE - 4K RH (STD) SLIDE-IN ARM
	160540R		L-ARM STORAGE TUBE - 4K RH (OPTIONAL) - SCOOP
	160535R		L-ARM STORAGE TUBE - 4K RH (OPTIONAL) - DROP-IN
	1605610R		L-ARM STORAGE TUBE - 6K RH (OPTIONAL) - DROP-IN
11	0809287L	1	L-ARM STORAGE TUBE - 4K LH (STD) SLIDE-IN ARM
	160540L		L-ARM STORAGE TUBE - 4K LH (OPTIONAL) - SCOOP
	160535L		L-ARM STORAGE TUBE - 4K LH (OPTIONAL) - DROP-IN
	1605610L		L-ARM STORAGE TUBE - 6K RH (OPTIONAL) - DROP-IN
12	0750409	2	STABILIZER WHEEL LIFT GUIDE PAD
13	0809659	2	SINGLE BAY HOSE TRAY
14	72A35120	2	SLIDEBACK CYLINDER 3.5 BORE x 120 STROKE
15	72H20FT	1	S20 LCG SLIDEBACK CYL FLUID PIPE ASSEMBLY
16	1302720A	2	SLIDEBACK CYLINDER MOUNTING/TILT SADDLE PIN
17	32117	2	SLIDEBACK CYLINDER MOUNTING PIN
18	86125E	4	1-1/4 SNAP RING - EXTERNAL
19	81286	2	U-BOLT 3/8-16 UNC
20	0400393	4	3/8 JAM NUT
21	0400480	8	3/8 FLAT WASHER
22	0400392	4	NYLON LOCK NUT 3/8-16 UNC
23	0403162	8	BOLT 5/16-18 x 1-1/4 UNC - ALLEN COUNTERSUNK
24	0400465	8	5/16 FLAT WASHER
25	0400382	8	NYLON LOCK NUT 5/16-18 UNC
26	0751223	2	LCG G2 S/B CYLINDER SUPPORT PAD
27	0809975	2	SUBFRAME ALIGNMENT GUIDE
28	0751024L	1	MUDFLAP SPLASH GUARD-28 IN. LH
29	0751024R	1	MUDFLAP SPLASH GUARD-28 IN. RH
30	0308419	2	CENTURY MUDFLAP 24 INCH x 24 INCH
31	143122	1	UNDERLIFT HINGE PIN
32	86200E	2	SNAP RING-2 INCH - EXTERNAL

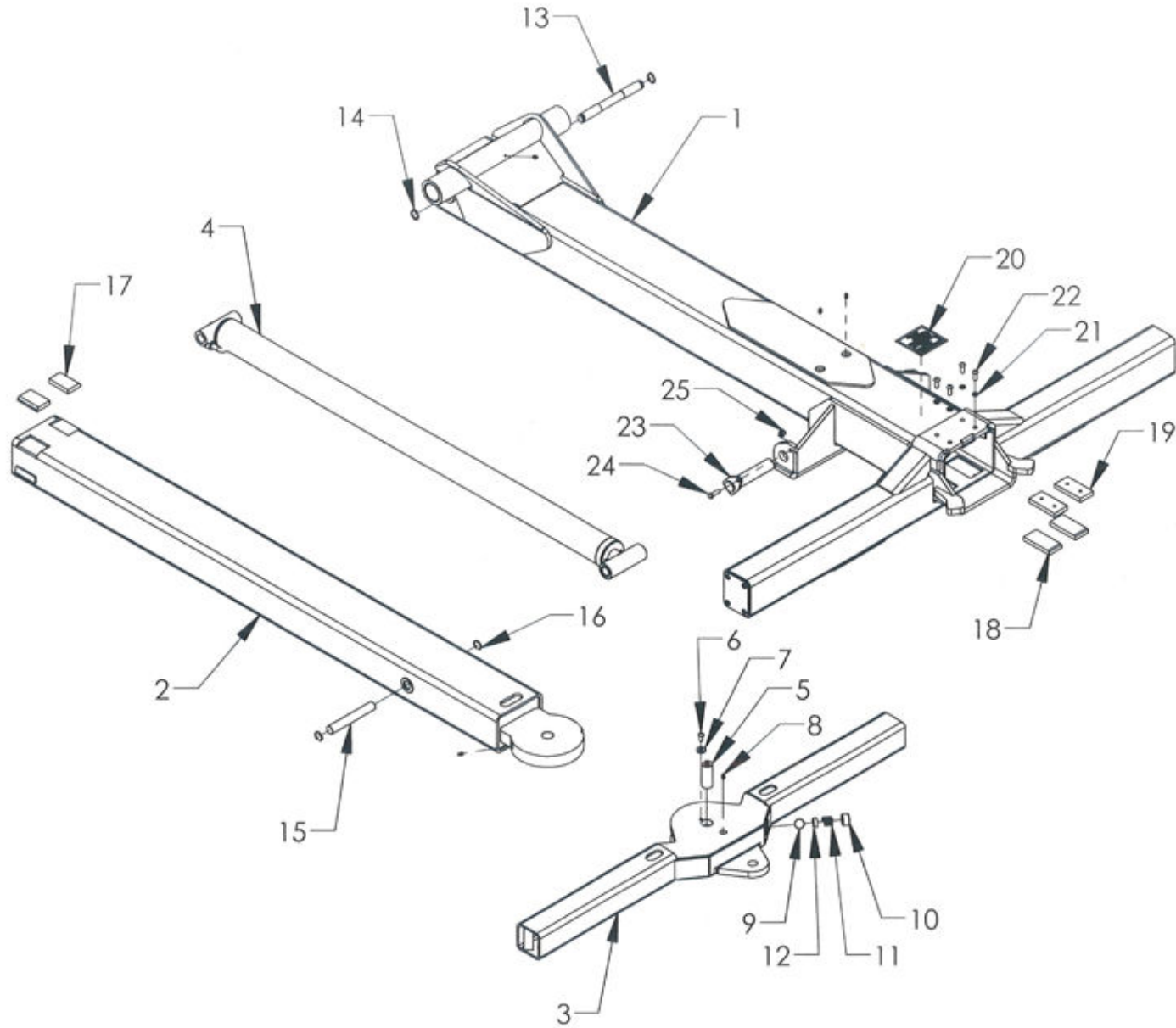
## Section VI - PARTS

### DP 20K PLANETARY WINCH



REF	PART #	QTY	DESCRIPTION
1	03015100-2015AA	1	DP 20K 15" DRUM PLANETARY WINCH
2	0400274	4	BOLT HHCS 5/8-11 UNC x 2 GR8 YZ
3	04005308	4	BOLT HHCS 5/8-11 UNC x 2 GR8 BLACK OXIDE
4	0400508	8	LOCK WASHER 5/8
5	343046-DP20	1	IND LCG WINCH FLUID TUBE INNER
6	343050-DP20	1	IND LCG WINCH FLUID TUBE OUTER

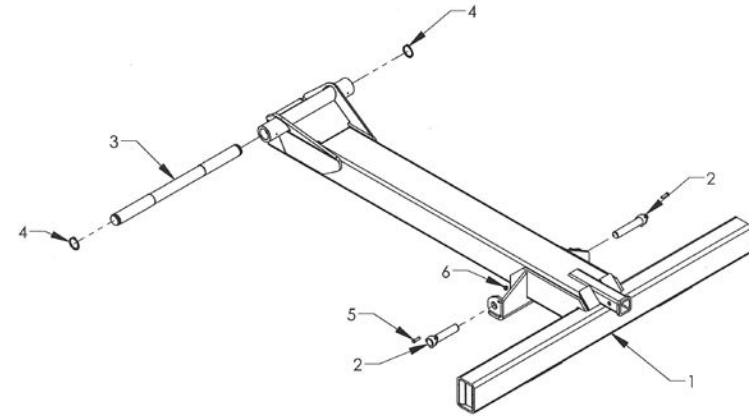
**Section VI - PARTS**  
**4000 LB. WHEEL LIFT - 09005828**  
**GEN 2 SERIES 20**



**Section VI - PARTS**  
**4000 LB. WHEEL LIFT - 09005828**

REF	PART #	QTY	DESCRIPTION
1	08005467	1	UNDERLIFT OUTER BOOM TUBE - 4K
2	0811159	1	UNDERLIFT INNER BOOM TUBE - 4 K
3	0811160	1	CROSSBAR 4K
4	72A30054	1	UNDERLIFT EXTEND CYLINDER 3 x 54
5	0940433	1	CROSSBAR PIVOT PIN
6	0403004	1	CAP SCREW BUTTON HD 3/8-16 x 3/4
7	0720463	1	WASHER
8	0300113	1	GREASE FITTING 1/4-28
9	0308129	1	DETENT BALL
10	0308130	1	DETENT PLUG
11	1308131	1	DETENT SPRING
12	07003396	1	SPACER, CROSSBAR DETENT
13	729352	1	EXTEND CYLINDER MOUNTING PIN-BASE
14	86100E	2	SNAP-RING 1.00 EXTERNAL HD
15	72940	1	EXTEND CYLINDER MOUNTING PIN-ROD
16	86100I	2	SNAP-RING 1.00 INTERNAL
17	65613	2	WEAR PAD 1/2 x 2 x 3
18	63595	2	WEAR PAD 1/2 x 2 x 4
19	63595H	2	SPACER PAD 1/2 x 2 x 4
20	0540041	1	UNDERLIFT RATING PLATE 4K
21	0400482	4	3/8 LOCK WASHER
22	0403139	4	CAP SCREW BUTTON HEAD 3/8-16 x 1
23	0809665	2	LIFT CYLINDER MTG PIN 1.25 x 11.062
24	0400122	2	HHCS 3/8-16 x 1-1/4
25	0700392	2	NYLON LOCK NUT 3/8-16

**Section VI - PARTS (cont'd)**  
**DOCK STABILIZER**

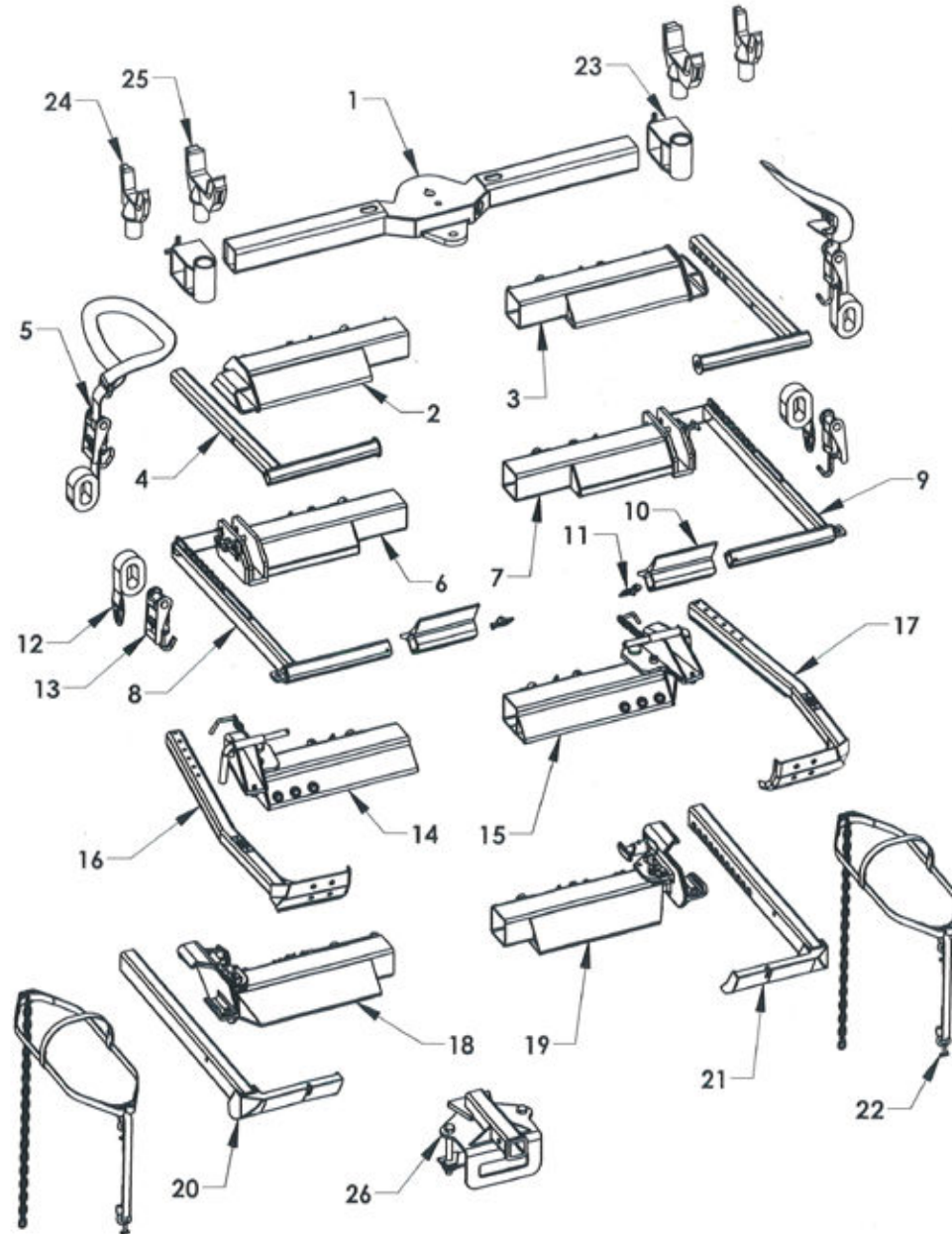


REF	PART #	DESCRIPTION	QPU
1	0809673	DOCK STABILIZER OUTER TUBE WELDMT	1
2	0809665	KEEPER IN 1-1/4 x 6	2
3	143122	4000/6000 LB. UNDERLIFT HINGE PIN	1
4	86200E	2 INCH EXTERNAL SNAP-RING	2
5	0400122	BOLT 3/8-16 UNC x 1-1/4	2
6	0400392	NUT 3/8-16 UNC NYLON LOCK	2



Section VI - PARTS

4000 LB WHEEL-LIFT CROSSBAR ATTACHMENTS

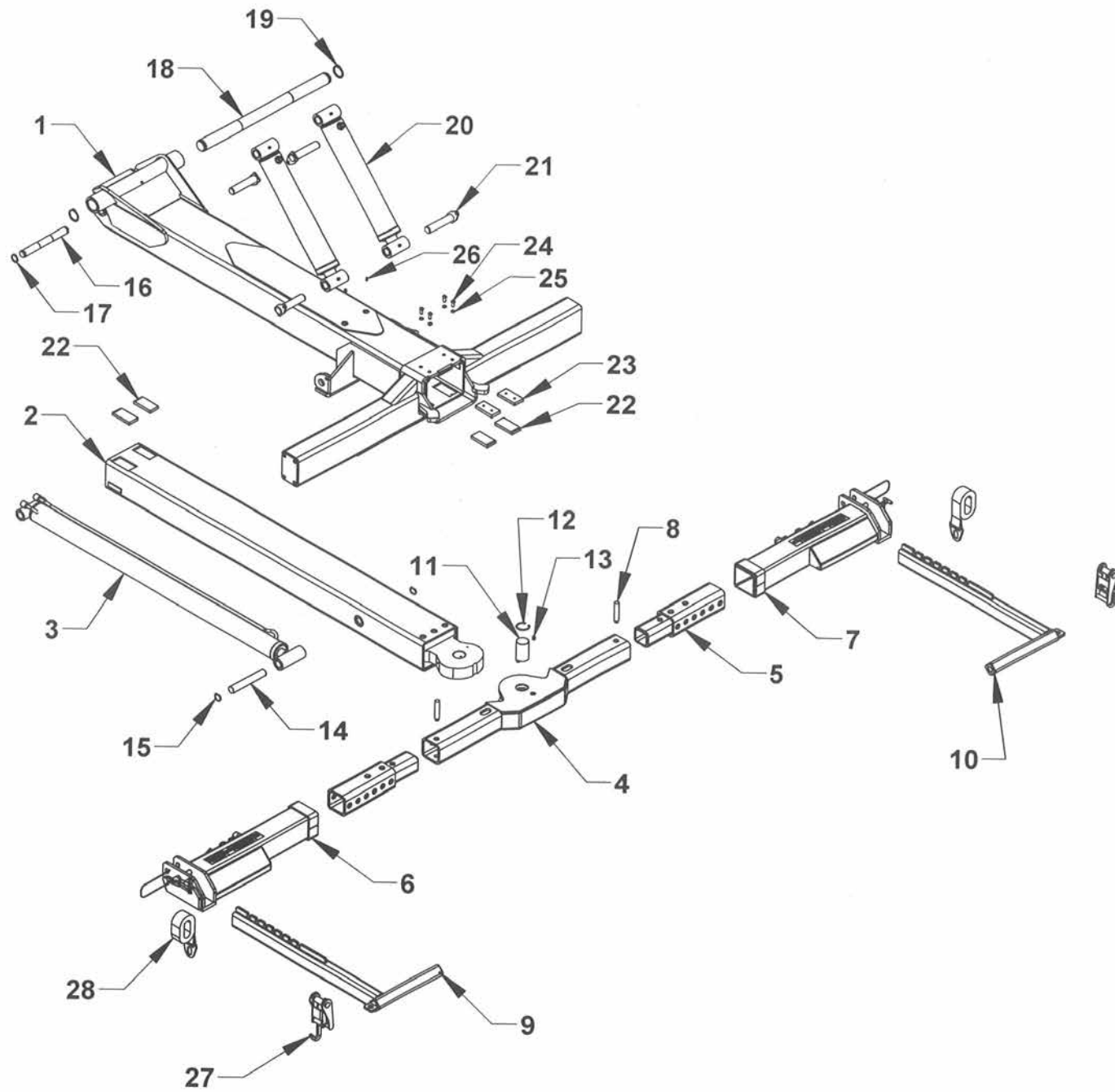


## Section VI - PARTS

### 4000 LB WHEEL LIFT CROSSBAR ATTACHMENTS

REF NO.	NO REQ'D	PART NUMBER	DESCRIPTION
1	1	0811160	CROSSBAR 4K (3.5 x 3.5)
2	1	0809283L	4-INCH WHEEL GRID - LH
3	1	0809283R	4-INCH WHEEL GRID - RH
4	2	08006748	STEEL L-ARM 4000 LB
5	2	0308664	STRAP AND RATCHET PIVOT ASSEMBLY
6	1	0940434L	WHEEL GRID (DROP-IN L-ARM) - LH
7	1	0940434R	WHEEL GRID (DROP-IN L-ARM) - RH
8	1	65250L	4000 LB L-ARM - LH
9	1	65250R	4000 LB L-ARM - RH
10	2	65245	REMOVABLE PAN (CHEVRON)
11	2	84911	SAFETY PIN, 5/16 (CHEVRON)
12	2	65285	WHEEL STRAP WITH D-RING
13	2	65280A	RATCHET AND HOOK
14	1	8800800	LH WHEEL GRID
15	1	8800900	RH WHEEL GRID
16	1	8700190	LH WHEEL RETAINER
17	1	8700180	RH WHEEL RETAINER
18	1	0909499L	WHEEL GRID 3WP - LH
19	1	0909499R	WHEEL GRID 3WP - RH
20	1	0803648	3-WAY PIVOT L-ARM - LH
21	1	0803649	3-WAY PIVOT L-ARM - RH
22	2	0902382	BASKET TIRE STRAP - SMALL-MEDIUM YELLOW
	2	65287	BASKET TIRE STRAP - MEDIUM-LARGE, BLUE
23	2	65460	3-1/2 INCH FORK HOLDER
24	2	663530	FRAME FORK, 3 INCH CAST
25	2	663545	FRAME FORK SHORT, 4-1/2 INCH CAST
26	1	0940458	REESE HITCH RECEIVER, COMMON GEN2

**Section VI - PARTS**  
**20 LCG 6000 LB. WHEEL LIFT - 10260605G**

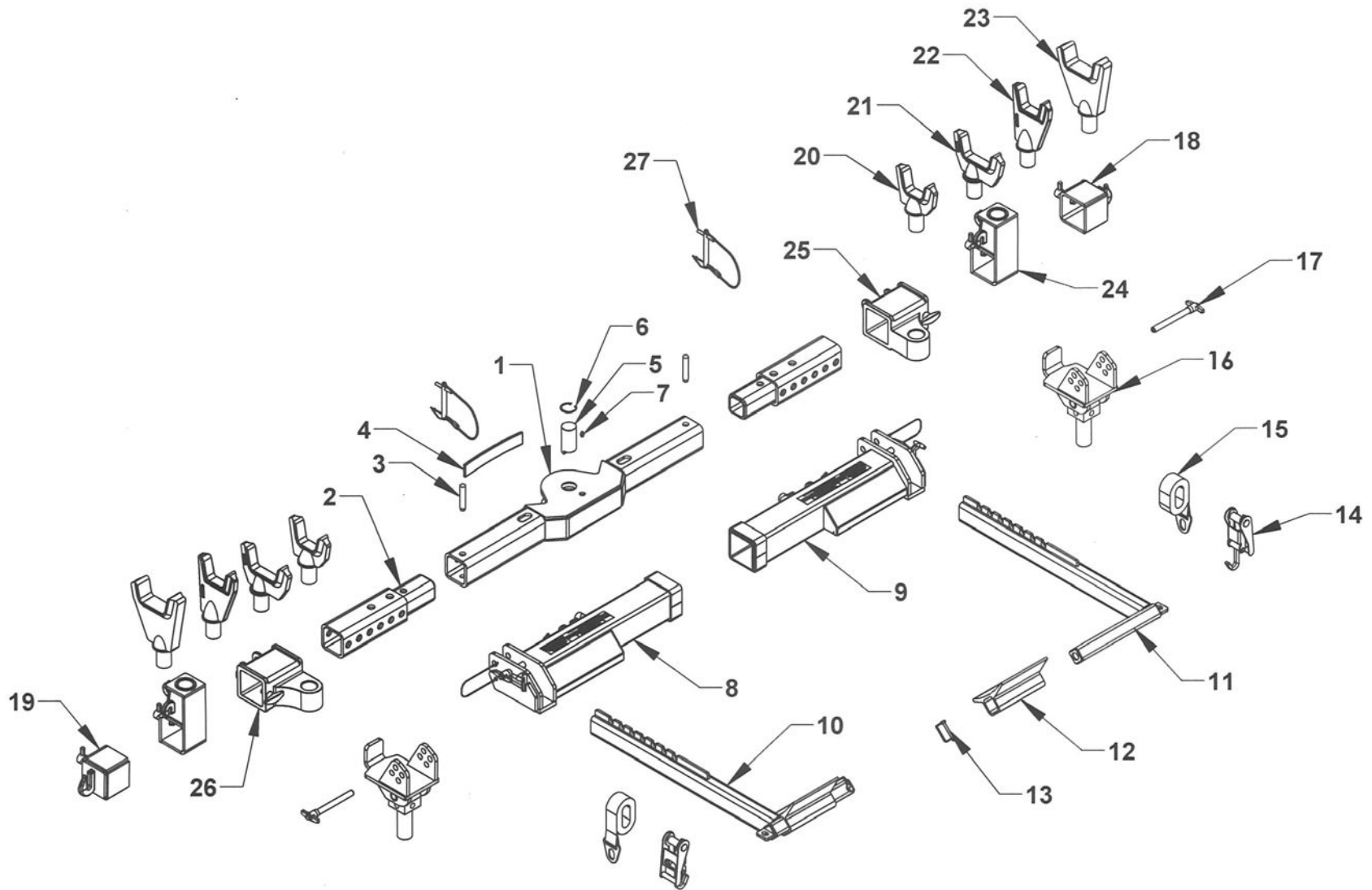


## Section VI - PARTS

### 20 LCG 6000 LB. WHEEL LIFT GROUP

REF	QTY	PART #	DESCRIPTION
1	1	10260605	UNDERLIFT OUTER STABILIZER T-BOOM - 6K
2	1	10262	UNDERLIFT INNER BOOM TUBE - 6K
3	1	72A30052	UNDERLIFT EXTEND CYLINDER 3.00 x 52.00
4	1	616090	CROSSBAR 6K - 4.00 x 4.00 x 44.625
5	2	6160950	CROSSBAR EXTENSION
6	1	68260L	WHEEL GRID ASSEMBLY - LEFT
7	1	68260R	WHEEL GRID ASSEMBLY - RIGHT
8	2	68245	CROSSBAR EXTENSION PIN
9	1	66250L	WHEEL RETAINER - 6K - LEFT
10	1	66250R	WHEEL RETAINER - 6K - RIGHT
11	1	66430	CROSSBAR PIVOT PIN - 6K
12	1	86200I	SNAP RING 2.00 INTERNAL
13	1	0301895	GREASE FITTING 1/8-27
14	1	14314	UNDERLIFT EXTENSION CYLINDER ROD PIN
15	2	86125I	SNAP RING 1.25 INTERNAL
16	1	14313	UNDERLIFT EXTENSION CYLINDER BASE PIN
17	2	86125E	SNAP RING 1.25 EXTERNAL
18	1	143122	6K/10K UNDERLIFT BOOM HINGE PIN
19	2	86200E	SNAP RING 2.00 EXTERNAL
20	2	72A350154	UNDERLIFT EXTEND CYLINDER 3.50 x 15.25
21	4	0809660	KEEPER PIN 1.25 x 5.50
22	4	63595	WEAR PAD NYLATRON NSM 1/2 x 2 x 4
23	2	63595H	WEAR PAD NYLATRON NSM 1/2 x 2 x 4 - HOLES
24	4	0400364	BOLT BHCS 3/8-16 UNC x 1
25	4	0400482	LOCK WASHER 3/8
26	2	0300113	GREASE FITTING 1/4-28
27	2	65280A	W/L RATCHET AND HOOK ASSEMBLY
28	2	65285	WHEEL STRAP WITH D-RING - YELLOW

**Section VI - PARTS**  
**6K/10K CARRIER UNDERLIFT ATTACHMENTS**

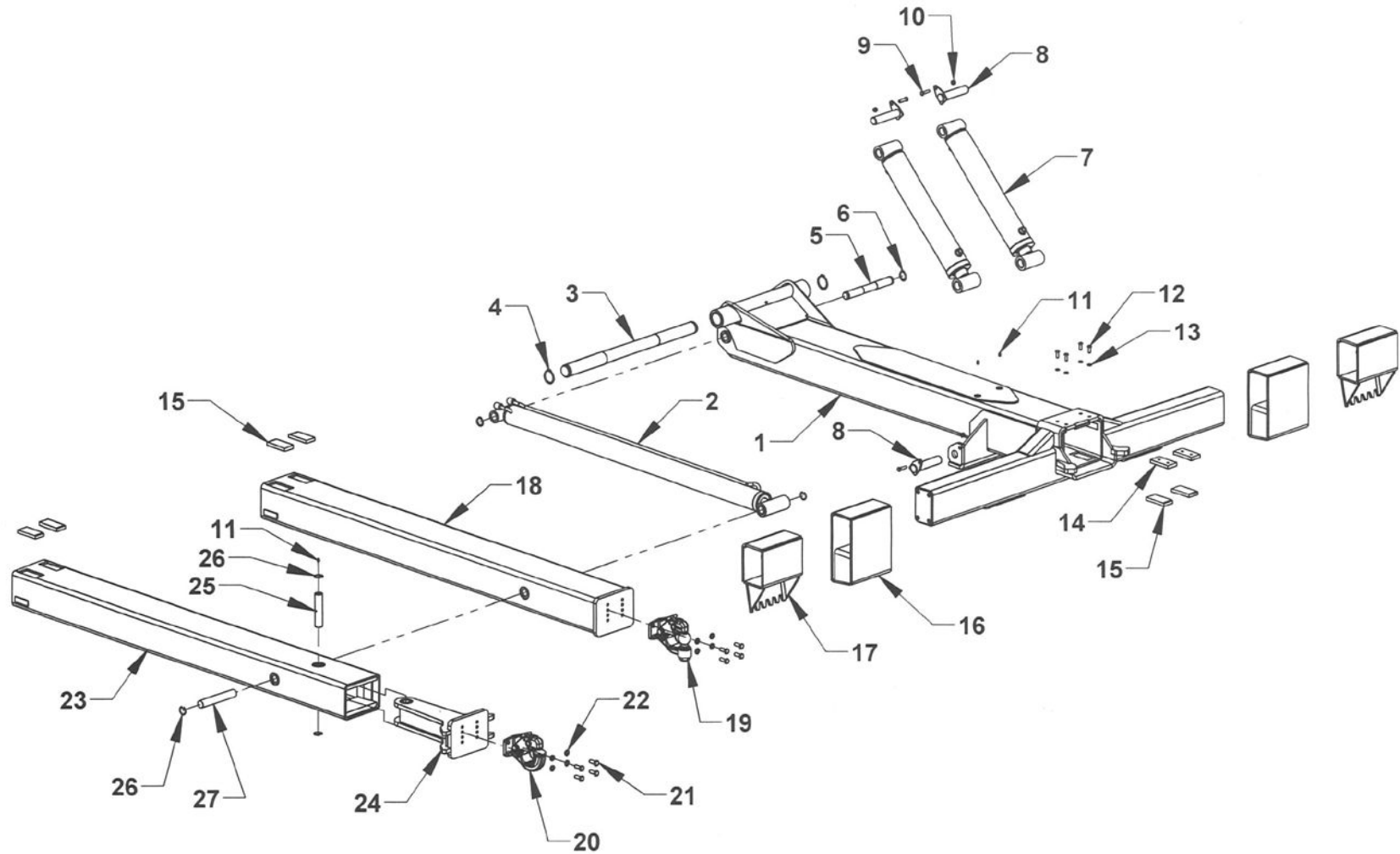


## Section VI - PARTS

### 6K/10K UNDERLIFT CARRIER ATTACHMENTS

REF	PART #	QTY	DESCRIPTION
1	616090	1	CROSSBAR 6K 4 x 4 x 44.625
2	6160950	2	CROSSBAR EXTENSION
3	68545	2	CROSSBAR EXTENSION PIN
4	65228	1	YOKE SPRING
5	66430	1	CROSSBAR PIVOT PIN
6	86200I	1	SNAP RING 2.00 INTERNAL
7	0301895	1	GREASE FITTING 1/8-27
8	66260L	1	WHEEL GRID ASSEMBLY-LH
9	66260R	1	WHEEL GRID ASSEMBLY - RH
10	66250L	1	WHEEL RETAINER 6K - LH
11	66250R	1	WHEEL RETAINER 6K - RH
12	85245	2	REMOVABLE PAN
13	84911	2	5/16 SAFETY SNAP PIN
14	65280A	2	WHEEL LIFT RATCHET & HOOK ASSEMBLY
15	65285	2	WHEEL STRAP WITH D-RING
16	66320	2	SPRING SHACKLE ADAPTOR (OPTIONAL)
17	84923	2	T-PIN .75 x 6
18	66A210R	1	CROSSBAR END HOOK - RH
19	66A210L	1	CROSSBAR END HOOK - LH
20	0200018	1	FRAME FORK SHORT 3 IN. CAST
21	0200019	2	FRAME FORK SHORT - 4.5 INCH CAST
22	0200020	2	FRAME FORK MEDIUM 3 IN. CAST
23	0200021	2	FRAME FORK MEDIUM - 4.5 INCH CAST
24	66330	2	ELEVATED FORK HOLDER
25	66285R (0803580)	1	OFFSET FORK HOLDER - CAST - RH
26	66285L (0803581)	1	OFFSET FORK HOLDER - CAST - LH
27	0902378	2	RETAINER PIN (USE W/OFFSET FORK HLDERS)

**Section VI - PARTS**  
**6,000 LB. TELESCOPING PINTLE UNDERLIFT**



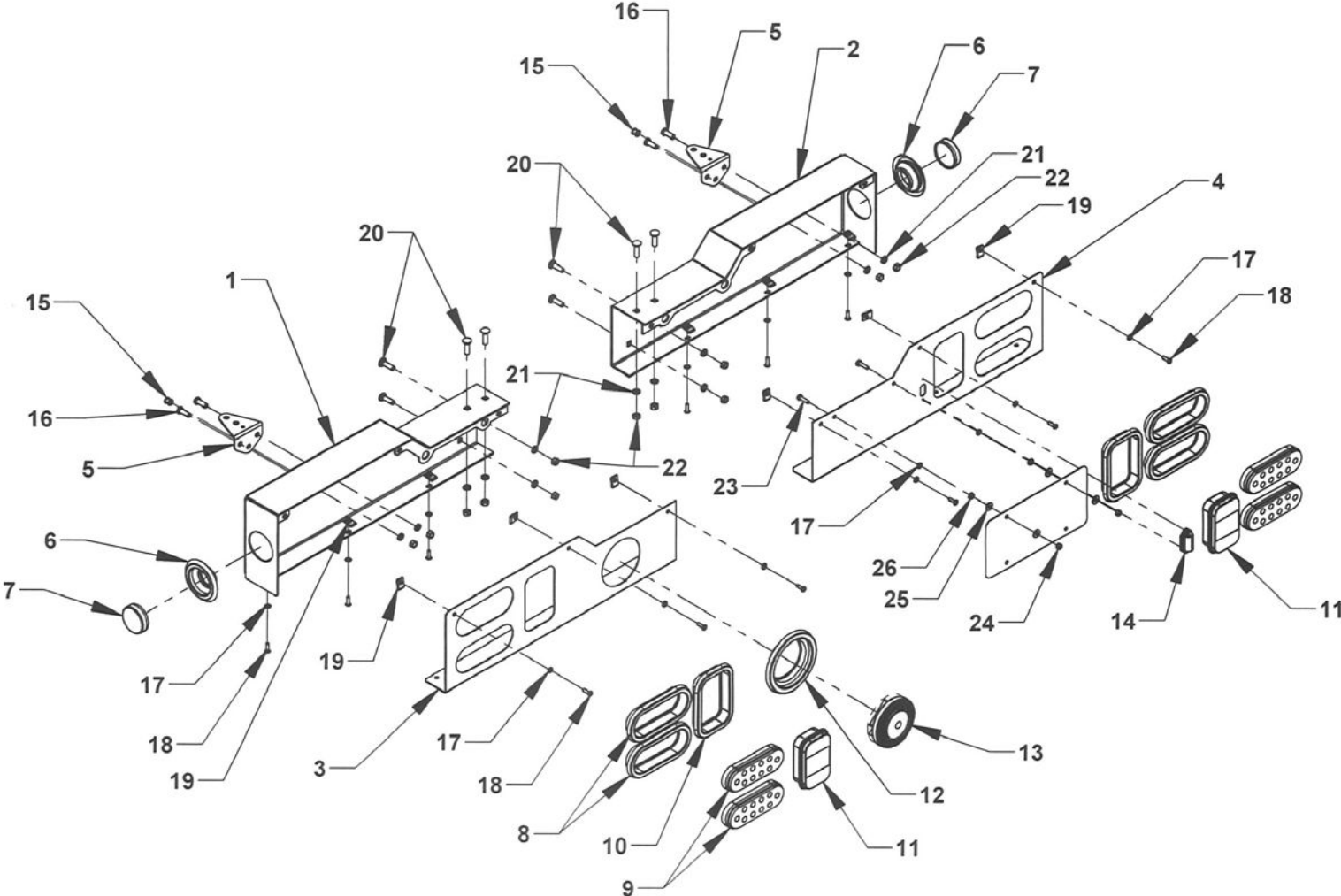
## Section VI - PARTS

### 6,000 LB. TELESCOPING PINTLE UNDERLIFT

REF	QPU	PART NO.	DESCRIPTION
1	1	10260605	6K UNDERLIFT OUTER T-BOOM
2	1	72A30052	UNDERLIFT EXT CYL 3.0" BORE x 52" STROKE
3	1	143122	UNDERLIFT HINGE PIN
4	2	86200E	SNAPRING 2" EXTERNAL
5	1	14313	UNDERLIFT EXTENSION CYLINDER BASE PIN
6	2	861235E	SNAP RING 1.25" EXTERNAL
7	2	72A350154	6K UNDERLIFT LIFT CYL 3.5" BORE x 15.25 STROKE
8	4	0809660	KEEPER PIN 1.25" x 5.50"
9	4	0400132	BOLT HHCS 3/8-16 UNC x 1-1/2
10	4	0400392	NUT NYLOCK 3/8-16 ZIP
11	3	7B130	GREASE FITTING 1/4-28
12	4	0403139	BOLT BHCS 3/8-18 UNC x 1
13	4	0400482	LOCK WASHER 3/8
14	2	63595H	WEAR PAD NYLATRON NSM 1/2 x 2 x 4 WITH HOLES
15	4	63595	WEAR PAD NYLATRON NSM 1/2 x 2 x 4
16	2	0809898-64	DOCK STABILIZER EXTENSION STAND 6 x 4
17	2	0809646	DOCK STABILIZER SPADE 6 x 4
18	1	10562P	6K INNER PINTLE BOOM
19	1	174017159	PINTLE BALL HITCH
20	1	174017156	PINTLE HOOK HITCH
21	4	0400177	BOLT HHCS 1/2-13 UNCS x 1-1/4 GR8
22	4	0400491	LOCK WASHER 1/2 ZP
23	1	10262PP	6K INNER PIVOTING PINTLE BOOM
24	1	143350	6K PIVOTING PINTLE HEAD
25	1	1431499	PIVOTING PINTLE HEAD PIN
26	4	86125I	SNAP RING 1.25 INTERNAL
27	1	14314	UNDERLIFT EXTENSION CYLINDER ROD PIN



**Section VI - PARTS**  
**TAIL LIGHT COMPONENTS**



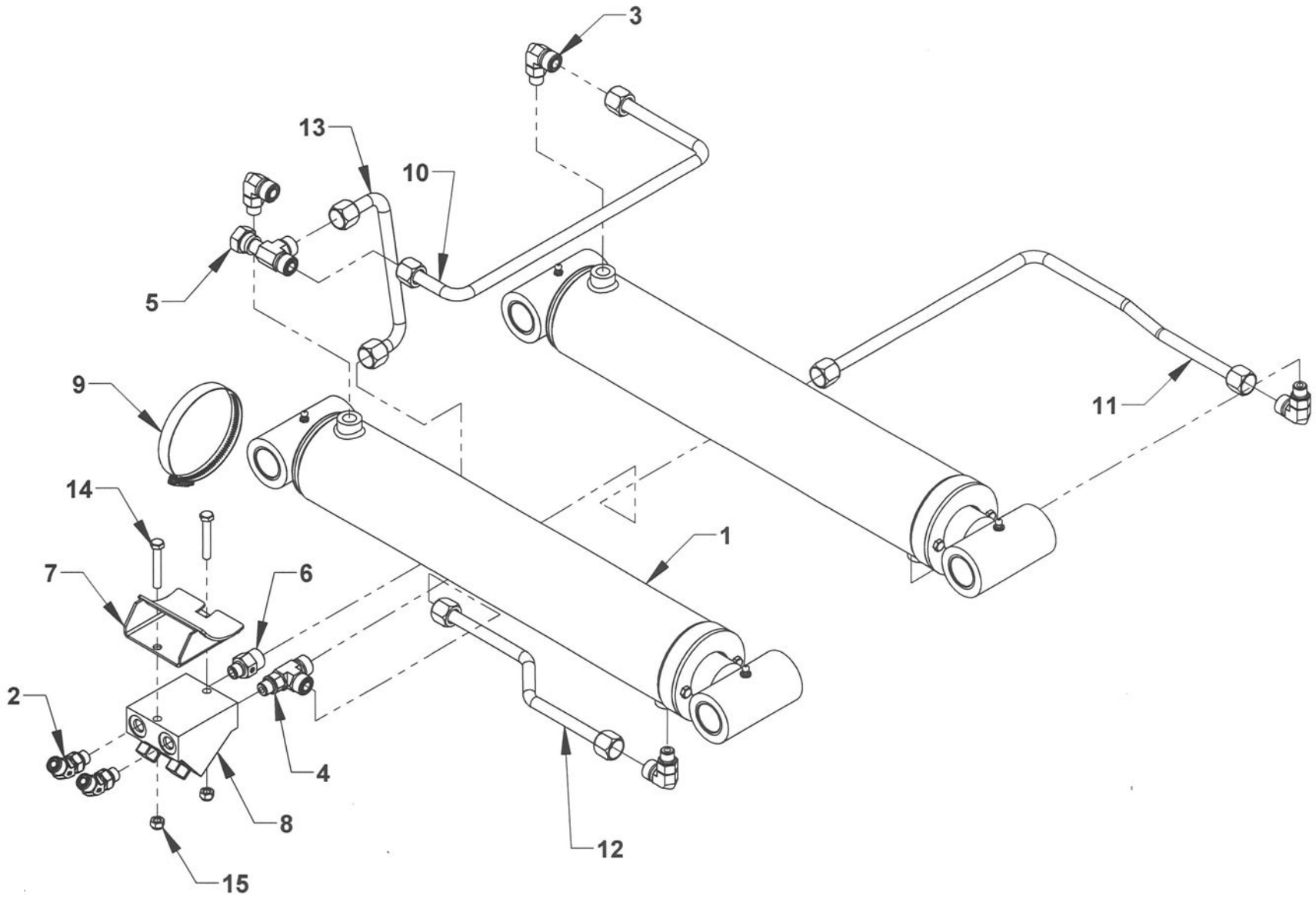
## Section VI - PARTS

### TAIL LIGHT COMPONENTS

REF	QPU	PART NO.	DESCRIPTION
1	1	0809517L	TAIL LIGHT HOUSING WELDMENT - LH
2	1	0809517R	TAIL LIGHT HOUSING WELDMENT - RH
3	1	0751892L	12/16/20 LCG TAIL LIGHT HOUSING BEZEL - LH G2
4	1	0751892R	12/16/20 LCG TAIL LIGHT HOUSING BEZEL - RH G2
5	2	0750672	WORK LIGHT MOUNTING BRACKET
6	2	0311516	2-1/2 IN. MARKER LIGHT GROMMET
7	2	0311512	2-1/2 IN. RED MARKER LIGHT
8	4	0311503	6 IN. OVAL GROMMET
9	4	0311498	6 IN.OVAL RED LIGHT
10	2	0311511	CARRIER TAIL LIGHT GROMMET
11	2	0311510	CARRIER BACK UP LIGHT
12	1	0311528	BACK UP ALARM GROMMET
13	1	0306385	BACK UP ALARM
14	1	0311525	LICENSE PLATE LIGHT
15	2	0306113	TAIL LIGHT WIRE GROMMET
16	4	0400126	BOLT, HHCS 3/8-16 UNC x 1
17	14	0402111	LOCK WASHER - 1/4 SAE SS
18	12	0400071	SCREW 1/4-20 UNC x 3/4 RD HD PHIL SS
19	12	0400371	"U" NUT 3/8-16 UNC SS
20	8	0403053	BOLT, CARRIAGE 3/8-16 UNC x 1-1/4 SS
21	12	0402121	LOCK WASHER - 3/8 SAE SS
22	12	0402122	HEX NUT 3/8-16 UNC SS
23	2	0402021	BOLT, HHCS 1/4-20 UNC x 1 SS
24	2	0403052	NYLON LOCK NUT 1/4-20 UNC SS
25	4	0402110	FLAT WASHER 1/4 SAE SS
26	2	0400366	JAM NUT 1/4-20 UNC

Section VI - PARTS

6K UNDERLIFT CYLINDER FLUID TUBE



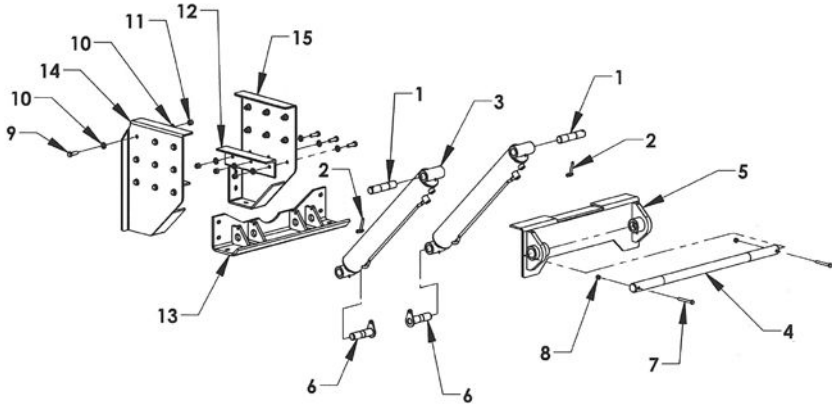
## Section VI - PARTS

### 6K UNDERLIFT CYLINDER FLUID TUBE GROUP

REF. NO.	QTY	PART NUMBER	DESCRIPTION
1	2	72A350154	LIFT CYLINDER 3.50 x 2.00 x 15.25
2	2	ADPTR-FF2068T0606	ADAPTOR 45 ORS/ORB 6 x 6
3	4	ADPTR-FF1868T0806S	ADAPTOR 90 ORS/ORB 8 x 6
4	1	ADPTR-FF1865T0806S	ADAPTOR TEE ORS/ORS/ORB 8 x 8 x 6
5	1	ADPTR-FF2114T0808S	ADAPTOR TEE ORS 8 x 8
6	1	ADPTR-FF1852T0806	ADAPTOR STRAIGHT ORS/ORB 8 x 6
7	1	0809875-325	UNDERLIFT VALVE MOUNTING BRACKET
8	1	74345	DUAL COUNTERBALANCE VALVE CBCG-XVN
9	1	03017026	HOSE CLAMP #64 STAINLESS 316
10	1	72H350154-1	UNDERLIFT FLUID TUBE ASSEMBLY - RIGHT
11	1	72H350154-2	UNDERLIFT FLUID TUBE ASSEMBLY - RIGHT
12	1	72H350154-3	UNDERLIFT FLUID TUBE ASSEMBLY - LEFT
13	1	72H350154-4	UNDERLIFT FLUID TUBE ASSEMBLY - LEFT
14	2	0400111	5/16-18 x 2 HEX BOLT GR5 ZINC
15	2	0400382	NYLON LOCK NUT 5/16-18 UNC GR5 ZINC

## Section VI - PARTS

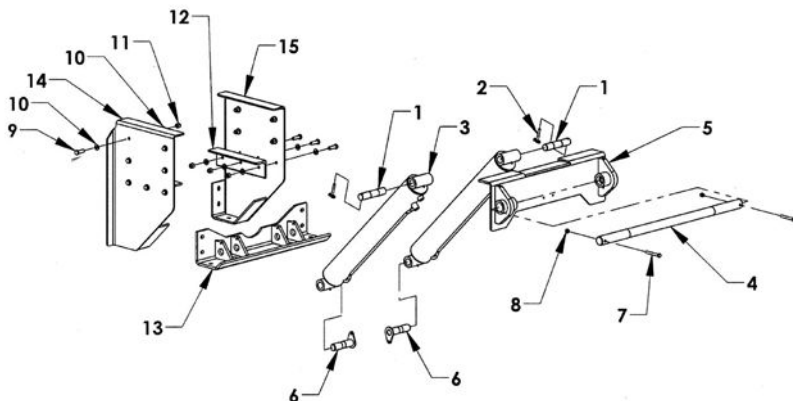
### 20 LCG 24" OUTBOARD SADDLE AND HINGE ANGLE



REF	PART #	DESCRIPTION	QPU
1	13070	PIN - TILT CYLINDER BASE	2
2	84680	PIN-ROD END EYE KEEPER GROUP	2
3	72A400265	TILT CYLINDER - 4 BORE x 26.5 STROKE	2
4	0751264	S20 LCG SUBFRAME HINGE PIN 1.975 x 43.375 IN.	1
5	0809642	S20 LCG TRUCK FRAME HINGE ANGLE	1
6	1A555	TILT CYLINDER ROD PIN	2
7	0400237	HEX BOLT 1/2 -13 UNC x 4	2
8	0400408	NYLON NUT 1/2-13 UNC	2
9	0400260	HEX BOLT 5/8 -11 UNC x 2 GR5	18
10	0400505	FIAT WASHER 5/8	36
11	0400421	NUT 5/8-11 UNC NYLON LOCK	18
12	1A514	SADDLE MOUNTING ANGLE	2
13	1A550	LCG SADDLE CONNECTING ANGLE 20/30/40	1
14	1A510L	TILT CYLINDER SADDLE - LH	1
15	1A510R	TILT CYLINDER SADDLE - RH	1

## Section VI - PARTS

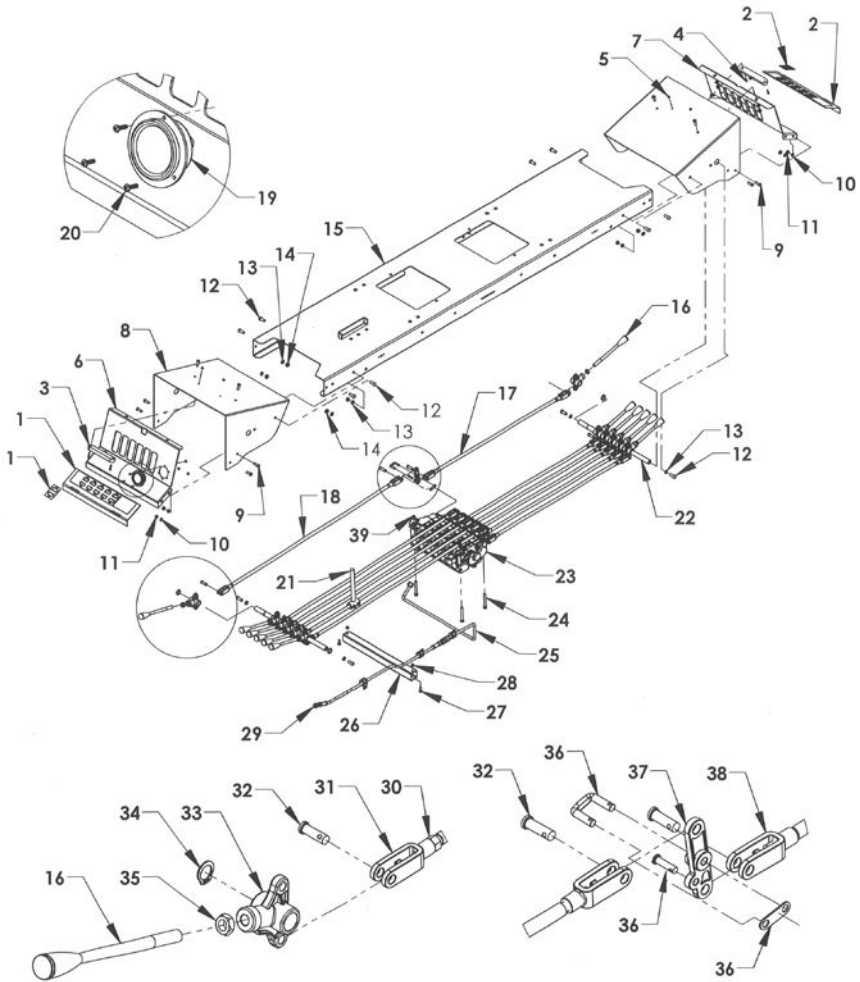
### 20 LCG 28" OUTBOARD SADDLE AND HINGE ANGLE



REF	PART #	DESCRIPTION	QPU
1	13070	PIN - TILT CYLINDER BASE	2
2	84680	PIN-ROD END EYE KEEPER GROUP	2
3	72A450305	TILT CYLINDER - 4.5 BORE x 30.5 STROKE	2
4	0751264	S20 LCG SUBFRAME HINGE PIN 1.975 x 43.375 IN.	1
5	0809642	S20 LCG TRUCK FRAME HINGE ANGLE	1
6	1A555	TILT CYLINDER ROD PIN	2
7	0400237	HEX BOLT 1/2 -13 UNC x 4	2
8	0400408	NYLON NUT 1/2-13 UNC	2
9	0400260	HEX BOLT 5/8 -11 UNC x 2 GR5	18
10	0400505	FIAT WASHER 5/8	36
11	0400421	NUT 5/8-11 UNC NYLON LOCK	18
12	1A514	SADDLE MOUNTING ANGLE	2
13	1A550	LCG SADDLE CONNECTING ANGLE 20/30/40	1
14	1A510L	TILT CYLINDER SADDLE - LH	1
15	1A510R	TILT CYLINDER SADDLE - RH	1

# Section VI - PARTS

## 6-SPOOL CONTROL STATION



## Section VI - PARTS

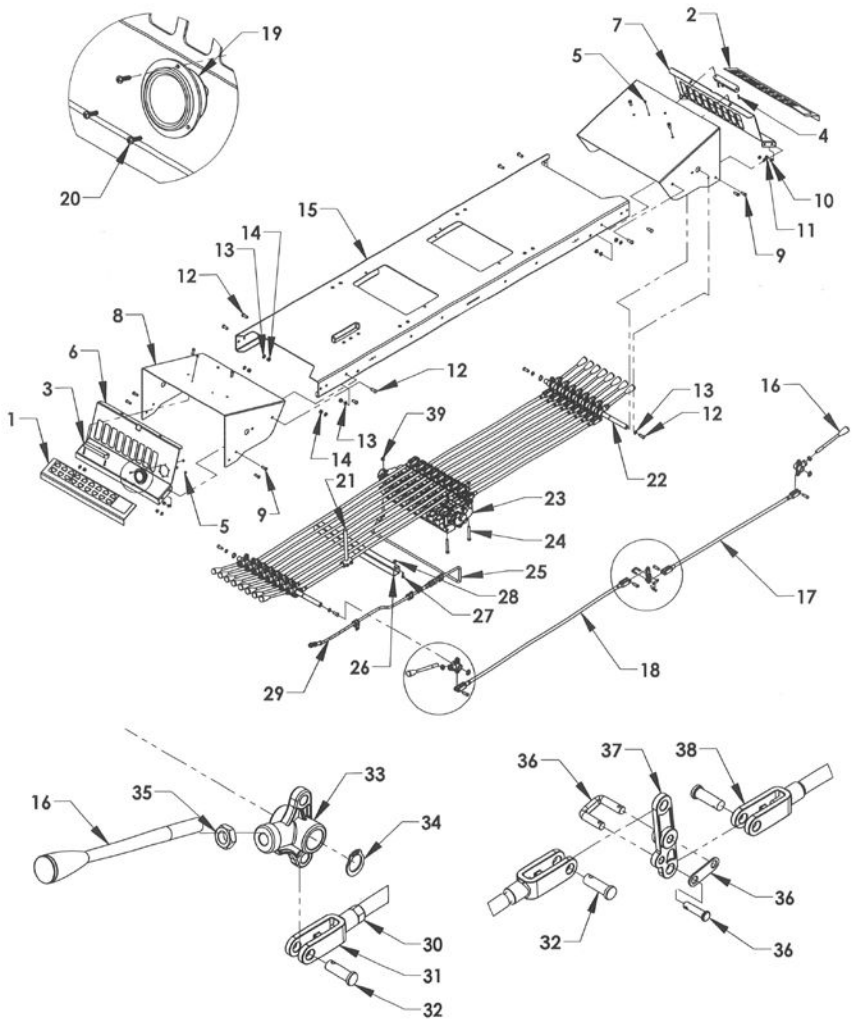
### 6-SPOOL CONTROL STATION

REF. NO.	NO. REQ'D	PART NUMBER	DESCRIPTION
1	1	18212L	5 SPOOL/6 SPOOL CONTROL PLACARD-LH
	1	18237	CONTROL PLACARD AUTOGRIP OVERLAY
2	1	18212R	5 SPOOL/6 SPOOL CONTROL PLACARD-RH
	1	18237	CONTROL PLACARD AUTOGRIP OVERLAY
3	2	0320162	LED CONTROL STATION LIGHT - 6 IN.
4	4	04000281	SCREW, PHILLIPS #6-32 UNC x 7/8
5	7	0403147	NYLON LOCK NUT #6-32 SS
6	1	0752652L	CONTROL PANEL - LH
7	1	0752652R	CONTROL PANEL - RH
8	2	0752651	CONTROL HOOD
9	12	0403079	BHCS 5/16-18 UNC x 5/8
10	12	0402118	LOCK WASHER 5/16 SS
11	12	0403074	HEX NUT 5/16-18 UNC
12	12	04001085	BHCS 3/8-16 UNC x 1 SS
13	12	0402121	LOCK WASHER 3/8 SS
14	8	0402122	NYLON LOCK NUT 3/8-16 UNC
15	1	181286W	CONTROL BOX ARM WELDMENT - 79.5 IN
16	6	0320048-GY	CONTROL HANDLE 8" - GRAY
	2	0320048-RD	CONTROL HANDLE 8" - RED
	4	0320048-BL	CONTROL HANDLE 8" - BLUE
17	6	7A528W	CONTROL ROD 28-1/2
18	6	7A538W	CONTROL ROD 37-3/4
19	1	0320157	PRESSURE GAUGE HYDRAULIC - 2 IN.
20	6	04000282	SCREW PHILLIPS #6-32 x 1/2
21	1	0809904	ANTI-TILT CONTROL ROD WELDMENT
22	2	7A5753-17	CONTROL HANDLE CROSS ROD 3/4 x 17
23	1	74116	VALVE BODY GRESN 6 SPOOL
	1	74115	VALVE BODY GRESN 5 SPOOL (COMMON)
24	3	0403169	HHCS 5/16-18 UNC x 2-3/4
25	1	0752718-5	CONTROL STATION GAUGE FLUID TUBE - 5 SP
	1	0752718-6	CONTROL STATION GAUGE FLUID TUBE - 6 SP
26	1	18335	CONTROL STATION WIRE TUBE - 6 SP
27	2	0400066	HHCS 1/4-20 UNC x 3/4
28	2	0400367	NYLON LOCK NUT 1/4-40 UNC
29	1	0320169	PRESSURE GAUGE HOSE
30	12	0403115	NUT 3/8-24 UNF RH
31	12	84530	CLEVIS - RH HAND THREAD
32	24	84620	CLEVIS PIN 3/8 x 1-1/8
33	12	7A1155	CONTROL HANDLE PIVOT BASE
34	4	86075E	SNAP RING 3/4 EXTERNAL
35	12	0400410	1/2-13 UNC JAM NUT ZP
36	6	7A010	CLEVIS PIN AND LINK ASSEMBLY
37	6	7A121	BELL CRANK
38	12	84540	CLEVIS - LH HAND THREAD
39	3	0400382	NYLON LOCK NUT 5/16-18 UNC



# Section VI - PARTS

## 9-SPOOL CONTROL STATION

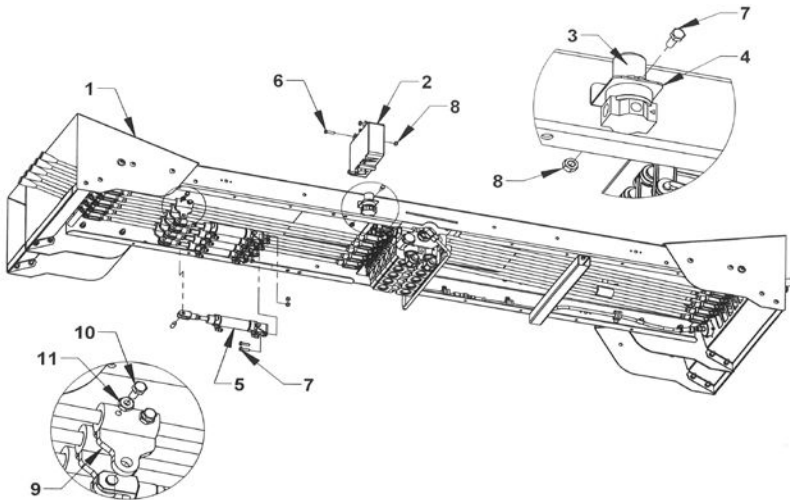


## Section VI - PARTS

### 9-SPOOL CONTROL STATION

ITEM.	QTY	PART NO.	DESCRIPTION
1	1	18219L	CONTROL PLACARD 4-CAR AUTOGRIP-LH
	1	18218L	CONTROL PLACARD 4-CAR CARRIER -LH
	1	18224L	CONTROL PLACARD SIDEPULLER OVERLAY-LH
	1	18235L	CONTROL PLACARD MULTI-DECK CARRIER-LH
	1	18236L	CONTROL PLACARD MULTI-DECK AG OVERLAY-LH
2	1	18219R	CONTROL PLACARD 4-CAR AUTOGRIP-RH
	1	18218R	CONTROL PLACARD 4-CAR CARRIER-RH
		18224R	CONTROL PLACARD SIDEPULLER OVERLAY-RH
	1	18235R	CONTROL PLACARD MULTI-DECK CARRIER-RH
	1	18236R	CONTROL PLACARD MULTI-DECK AG OVERLAY-RH
3	2	0320162	LED CONTROL STATION LIGHT - 6 IN.
4	4	04000281	SCREW, PHILLIPS #6-32 UNC x 7/8
5	7	0403147	NYLON LOCK NUT #6-32 SS
6	1	0752654L	CONTROL PANEL - LH
7	1	0752654R	CONTROL PANEL - RH
8	2	0752653	CONTROL HOOD
9	1	0403079	BHCS 5/16-18 UNC x 5/8
10	12	0402118	LOCK WASHER 5/16 SS
11	12	0403074	HEX NUT 5/16-18 UNC
12	12	04001085	BHCS 3/8-16 UNC x 1 SS
13	12	0402121	LOCK WASHER 3/8 SS
14	8	0402122	NYLON LOCK NUT 3/8-16 UNC
15	1	181286W	CONTROL BOX ARM WELDMENT - 79.5 IN
16	6	0320048-GY	CONTROL HANDLE 8" - GRAY
	4	0320048-RD	CONTROL HANDLE 8" - RED
	6	0320048-BL	CONTROL HANDLE 8" - BLUE
	2	0320048-GR	CONTROL HANDLE 8" - GREEN
17	9	7A528W	CONTROL ROD 28-1/2
18	9	7A538W	CONTROL ROD 37-3/4
19	1	0320157	PRESSURE GAUGE HYDRAULIC - 2 IN.
20	3	04000282	SCREW PHILLIPS #6-32 x 1/2
21	1	0809904	ANTI-TILT CONTROL ROD WELDMENT
22	2	7A5753-20	CONTROL HANDLE CROSS ROD 3/4 x 17
23	1	74118	VALVE BODY GRESSEN 8 SPOOL
	1	74119	VALVE BODY GRESSEN 9 SPOOL
24	3	0403169	HHCS 5/16-18 UNC x 2-3/4
25	1	0752718-8	CONTROL STATION GAUGE FLUID TUBE - 8 SP
	1	0752718-9	CONTROL STATION GAUGE FLUID TUBE - 9 SP
26	1	18336	CONTROL STATION WIRE TUBE - 6 SP
27	2	0400066	HHCS 1/4-20 UNC x 3/4
28	2	0400367	NYLON LOCK NUT 1/4-40 UNC
29	1	0320169	PRESSURE GAUGE HOSE
30	18	0403115	NUT 3/8-24 UNF RH
31	18	84530	CLEVIS - RH HAND THREAD
32	36	84620	CLEVIS PIN 3/8 x 1-1/8
33	18	7A1155	CONTROL HANDLE PIVOT BASE
34	4	86075E	SNAP RING 3/4 EXTERNAL
35	18	0400410	1/2-13 UNC JAM NUT ZP
36	9	7A010	CLEVIS PIN AND LINK ASSEMBLY
37	9	7A121	BELL CRANK
38	18	84540	CLEVIS - LH HAND THREAD
39	3	0400382	NYLON LOCK NUT 5/16-18 UNC

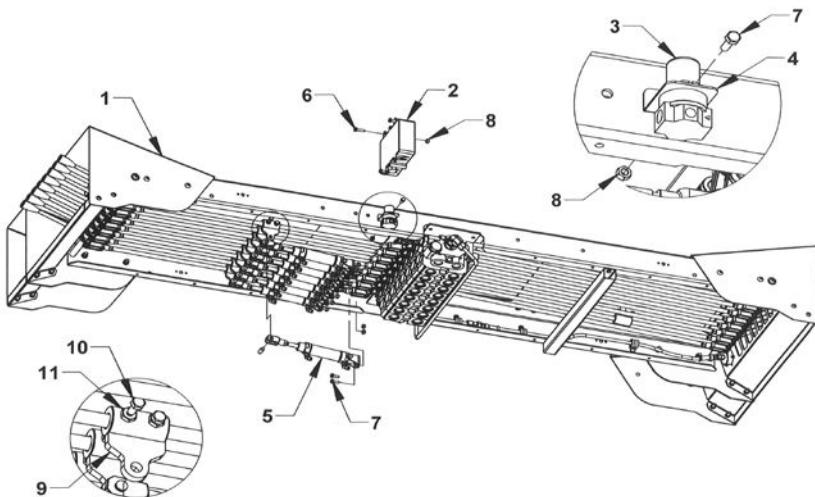
## Section VI - PARTS REMOTE AIR CYLINDERS 6-SPOOL



REF. NO.	QTY	PART NUMBER	DESCRIPTION
1	1	183126	6-SPOOL CONTROL STATION
2	1	0308726-2	RADIO CONTROL RECEIVER BOX 2-FUNCTION
		0308726-4	RADIO CONTROL RECEIVER BOX 4-FUNCTION
		0308726-6	RADIO CONTROL RECEIVER BOX 6-FUNCTION
		0308726-8	RADIO CONTROL RECEIVER BOX 8-FUNCTION
		0308726-10	RADIO CONTROL RECEIVER BOX 10-FUNCTION
		0308726-12	RADIO CONTROL RECEIVER BOX 12-FUNCTION
		0308726-16	RADIO CONTROL RECEIVER BOX 16-FUNCTION
3	1	71713	AIR PRESSURE REGULATOR
4	1	0752351	AIR PRESSURE REGULATOR MTG BRACKET
5	X	0308711	AIR CYLINDER 2 INCH STROKE
6	X	0403043	BOLT HHCS 1/4-20 UNC x 1 GR5
7	X	0400066	BOLT HHCS 1/4-20 UNC x 3/4 GR5
8	X	0400367	NUT NYLOK 1/4-20 UNC
9	X	0809905	BOLT-ON AIR CYLINDER PLATE WELDMENT
10	X	0400059	BOLT HHCS 1/4-20 UNC x 5/8 GR5
11	X	0400366	NUT HEX 1/4-20 UNC

# Section VI - PARTS

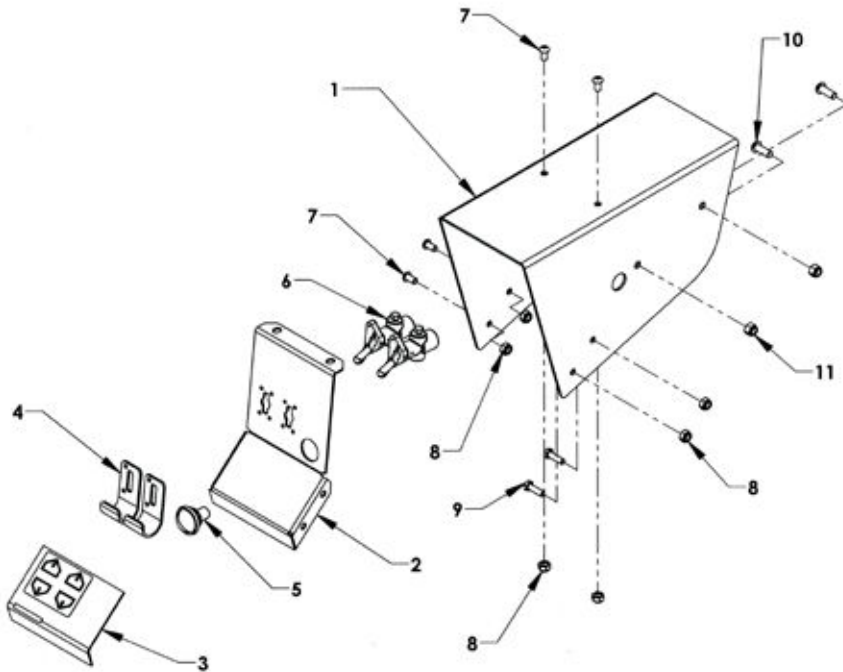
## REMOTE AIR CYLINDERS 9-SPOOL



REF. NO.	QTY	PART NUMBER	DESCRIPTION
1	1	183129	9-SPOOL CONTROL STATION
2	1	0308726-2	RADIO CONTROL RECEIVER BOX 2-FUNCTION
		0308726-4	RADIO CONTROL RECEIVER BOX 4-FUNCTION
		0308726-6	RADIO CONTROL RECEIVER BOX 6-FUNCTION
		0308726-8	RADIO CONTROL RECEIVER BOX 8-FUNCTION
		0308726-10	RADIO CONTROL RECEIVER BOX 10-FUNCTION
		0308726-12	RADIO CONTROL RECEIVER BOX 12-FUNCTION
		0308726-16	RADIO CONTROL RECEIVER BOX 16-FUNCTION
3	1	71713	AIR PRESSURE REGULATOR
4	1	0752351	AIR PRESSURE REGULATOR MTG BRACKET
5	X	0308711	AIR CYLINDER 2 INCH STROKE
6	X	0403043	BOLT HHCS 1/4-20 UNC x 1 GR5
7	X	0400066	BOLT HHCS 1/4-20 UNC x 3/4 GR5
8	X	0400367	NUT NYLOK 1/4-20 UNC
9	X	0809905	BOLT-ON AIR CYLINDER PLATE WELDMENT
10	X	0400059	BOLT HHCS 1/4-20 UNC x 5/8 GR5
11	X	0400366	NUT HEX 1/4-20 UNC

## Section VI - PARTS

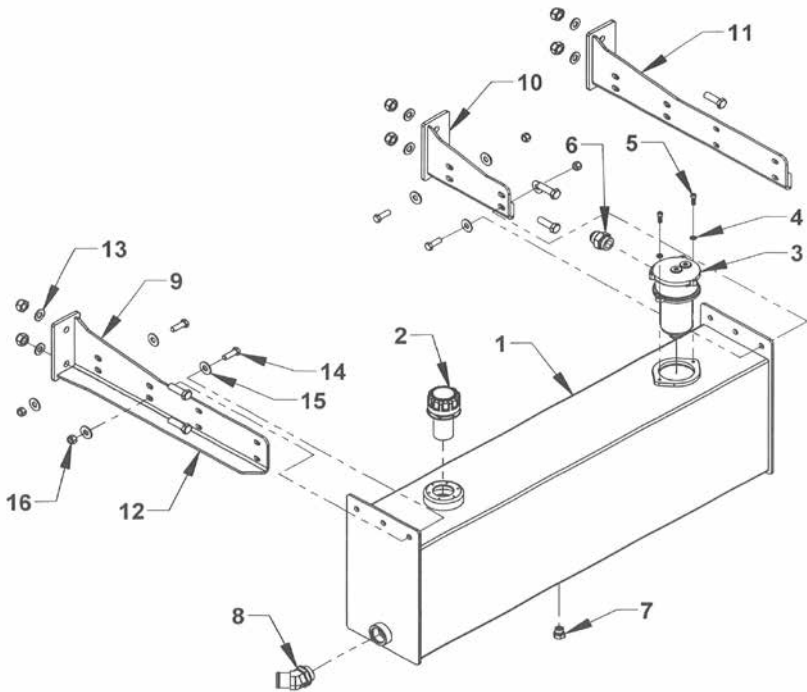
### 2 AIR VALVE CONTROL STATION



REF. NO.	NO. REQ'D	PART NUMBER	DESCRIPTION
1	1	18148	2-TOGGLE AIR VALVE CONTROL HOOD
2	1	18149L	2-TOGGLE AIR VALVE CONTROL PANEL - LEFT
	1	18148R	2-TOGGLE AIR VALVE CONTROL PANEL - RIGHT
3	1	18221L	2-TOGGLE AIR VALVE CONTROL PLACARD - LEFT
	1	18221R	2-TOGGLE AIR VALVE CONTROL PLACARD - RIGHT
4	2	18145	TOGGLE AIR VALVE GUARD
5	1	97300	CONTROL LIGHT
6	2	71716	TOGGLE AIR VALVE
7	4	0403158	BOLT BHCS 5/16-18 UNC x 5/8
8	6	0400382	NYLON LOCK NUT 5/16 UNC
9	2	0400109	BOLT HHCS 5/16-18 UNC x 1
10	2	0403139	BOLT BHCS 3/8-16 UNC x 1
11	2	0400392	NYLON LOCK NUT 3/8-16 UNC

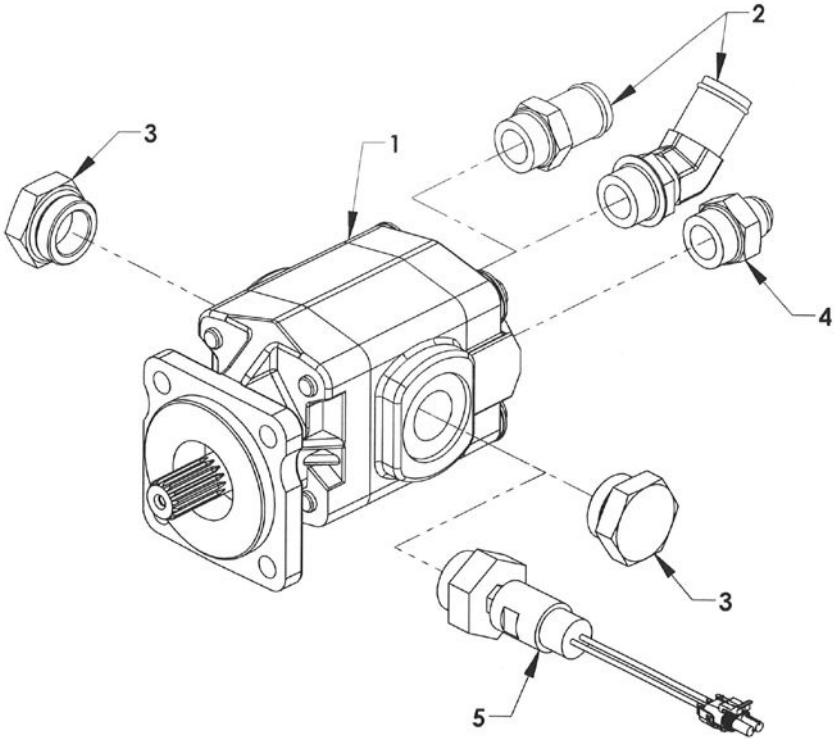
## Section VI - PARTS

### 24 GALLON OIL RESERVOIR GROUP



REF	PART #	DESCRIPTION	QPU
1	0809490	OUTBOARD 24 GALLON OIL RESERVOIR	1
2	76213G	FILLER/BREATHER CAP ASSEMBLY	1
3	76270	FILTER ASSEMBLY	1
	76271	REPLACEMEN FILTER ELEMENT	1
4	0400464	LOCK WASHER 5/16 ZINC PLATED	2
5	04001427	BOLT SHCS 5/16-18 UNC x 7/8 SS	2
6	0301368	ADAPTOR 202702 16 x 12	1
7	03006085	ADAPTOR 900598-8 (MAGNETIC DRAIN PLUG)	1
8	03006341	20 x 24 SUCTION HOSE FITTING 45 DEGREES	1
9	37855R	TANK MOUNTING BRACKET - RH	1
	37858R	TANK MOUNTING BRACKET (SHORT) - RH	1
	37858L	TANK MOUNTING BRACKET (SHORT) - LH	1
10	37855L	TANK MOUNTING BRACKET - LH	1
11	37855L	TANK MOUNTING BRACKET - LH	1
12	0400274	BOLT 5/8-11 x 2 UNC GR8	6
13	0400426	NYLON LOCK NUT 5/8-11 UNC ZINC PLATED	6
14	0400181	BOLT 1/2-13 UNC x 1-1/2 GR8	6
15	0400492	FLAT WASHER 1/2 ZINC PLATED	8
16	0403100	NYLON LOCK NUT 1/2-13 UNC ZINC PLATED	4

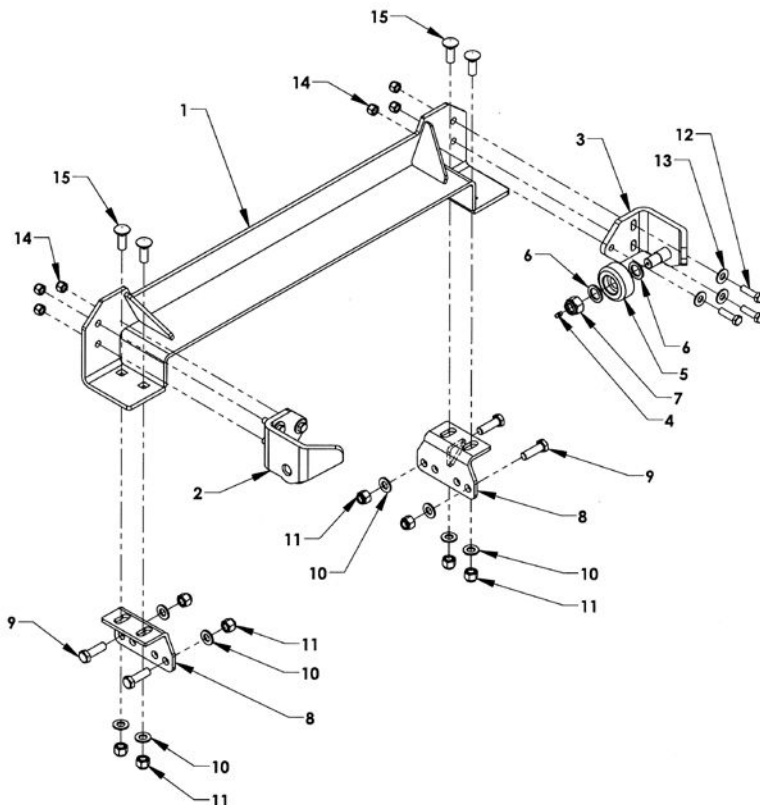
**Section VI - PARTS**  
**DIRECT MOUNT PUMP - 18 GPM**



REF	PART #	DESCRIPTION	QPU
1	0320144	18 GPM , 1 IN.15 SPLINE SHAFT, SAE 4-BOLT FLANGE	1
2	03006339	#16-45 M O-RING x 1-1/4 M NIPPLE	1
	77C82	#16 M O-RING x 1-1/4 M NIPPLE	1
3	77620	1-1/4 O-RING PLUG 900598-20	2
4	0301368	#16 M O-RING x 3/4 MJIC	1
5	0909434	PRESSURE TRANSDUCER (OPTIONAL)	1

# Section VI - PARTS

## BODY LOCK ASSEMBLY - 364220K

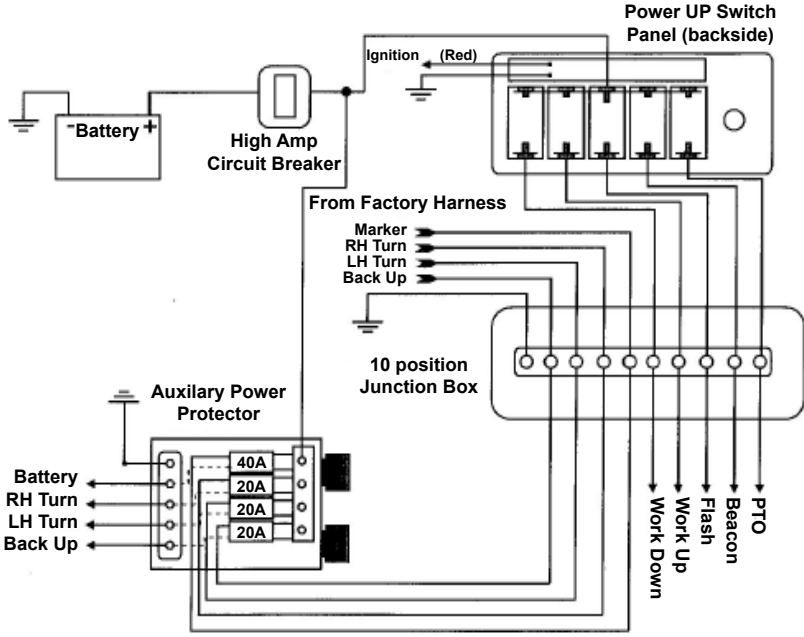


REF. NO.	NO. REQ'D	PART NUMBER	DESCRIPTION
1	1	364220	LCG BODY LOCK WELDMENT-SETBACK CAPABLE
2	1	36315L	BODY LOCK HOLD-DOWN - LH
3	1	36315R	BODY LOCK HOLD-DOWN - RH
4	2	0306382	GREASE FITTING 1/4-28
5	2	36310	ROLLER WHEEL
6	4	0400470	FLAT WASHER 1
7	2	04001225	NYLON LOCK NUT, 7/8-14 UNF
8	2	0809183	MOUNTING BRACKET
9	4	0400260	BOLT, 5/8-11 HHCS UNC x 2 GRADE 5
10	8	0400505	FLAT WASHER 5/8
11	8	0400421	NYLON LOCK NUT, 5/8-11 UNC
12	6	0400218	BOLT, HHCS 1/2-20 UNF x 1-1/4
13	6	0400492	FLAT WASHER, 1/2 IN.
14	6	0400413	NYLON LOCK NUT, 1/2-20 UNF
15	4	0403068	CARRIAGE BOLT 5/8-11 x 1-3/4



# Section VI - PARTS

## OPTIONAL DASHBOARD PANEL

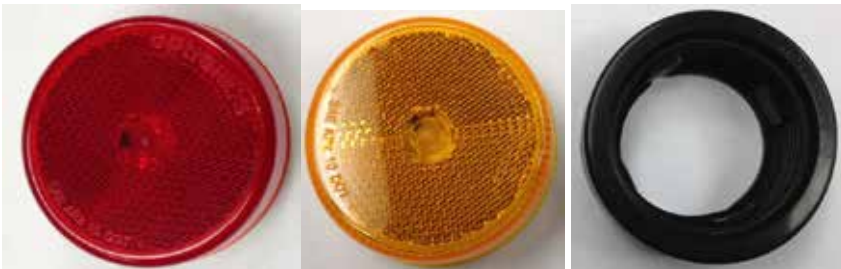


## Section VI - PARTS

### LIGHT KIT



REF. NO.	PART NUMBER	DESCRIPTION
1	0311498	LIGHT 6" OVAL RED LED - STOP/TURN
2	0311498	LIGHT 6" OVAL REVERSE LED
3	0311503	LIGHT 6" GROMMET



REF. NO.	PART NUMBER	DESCRIPTION
1	0311512	LIGHT 2.5" RED REFLEX LED (MCL59RB)
2	0311513	LIGHT 2.5" AMBER REFLEX LED (MCL59AB)
3	0311516	LIGHT 2.5" GROMMET

## Section VI - PARTS

### LIGHT KIT



REF. NO.	PART NUMBER	DESCRIPTION
1	0311514	LIGHT 2.5" ROUND CLEAR/RED LED MARKER LIGHT
2	0311515	LIGHT 2.5" ROUND CLEAR/AMBER LED MARKER LIGHT
3	3011516	LIGHT 2.5" GROMMET



REF. NO.	PART NUMBER	DESCRIPTION
1	0320162	6 IN. CONTROL STATION LED LIGHT

**Section VI - PARTS**

**LIGHT KIT & PRESSURE GAUGE**



REF. NO.	PART NUMBER	DESCRIPTION
1	0320161	3 IN. CONTROL STATION LED LIGHT



REF. NO.	PART NUMBER	DESCRIPTION
1	0320157	2 IN. HYDRAULIC PRESSURE GAUGE

## Section VI - PARTS

### LIGHT KIT



REF. NO.	PART NUMBER	DESCRIPTION
1	0311519	RED 3/4 LED ICC LIGHT



REF. NO.	PART NUMBER	DESCRIPTION
1	0311520	RED 3/4 LED LIGHT

**Section VI - PARTS**

**LIGHT KIT**



REF. NO.	PART NUMBER	DESCRIPTION
1	0311521	AMBER 3/4 ROUND LED LIGHT



REF. NO.	PART NUMBER	DESCRIPTION
1	0311522	CLEAR/RED 3/4 ROUND LED LIGHT



REF. NO.	PART NUMBER	DESCRIPTION
1	0311523	CLEAR/AMBER 3/4 ROUND LED LIGHT

## Section VI - PARTS

### LIGHT KIT



REF. NO.	PART NUMBER	DESCRIPTION
1	0308359	MARKER LIGHT RED REFLEX LED



REF. NO.	PART NUMBER	DESCRIPTION
1	0308360	MARKER LIGHT AMBER REFLEX LED

**Section VI - PARTS**

**LIGHT KIT**



REF. NO.	PART NUMBER	DESCRIPTION
1	0308969R	MARKER LIGHT RED REFLEX LED



REF. NO.	PART NUMBER	DESCRIPTION
1	0308969A	MARKER LIGHT AMBER REFLEX LED



## Section VI - PARTS

### LIGHT KIT



REF. NO.	PART NUMBER	DESCRIPTION
1	0312578	MILLENNIUM MARKER LIGHT CLEAR/AMBER



REF. NO.	PART NUMBER	DESCRIPTION
1	0312579	MILLENNIUM MARKER LIGHT CLEAR/RED

## Section VI - PARTS

### LIGHT KIT



REF. NO.	PART NUMBER	DESCRIPTION
1	0308491	REFLECTOR - AMBER



REF. NO.	PART NUMBER	DESCRIPTION
1	0308490	REFLECTOR - RED

## Section VI - PARTS

### LIGHT KIT



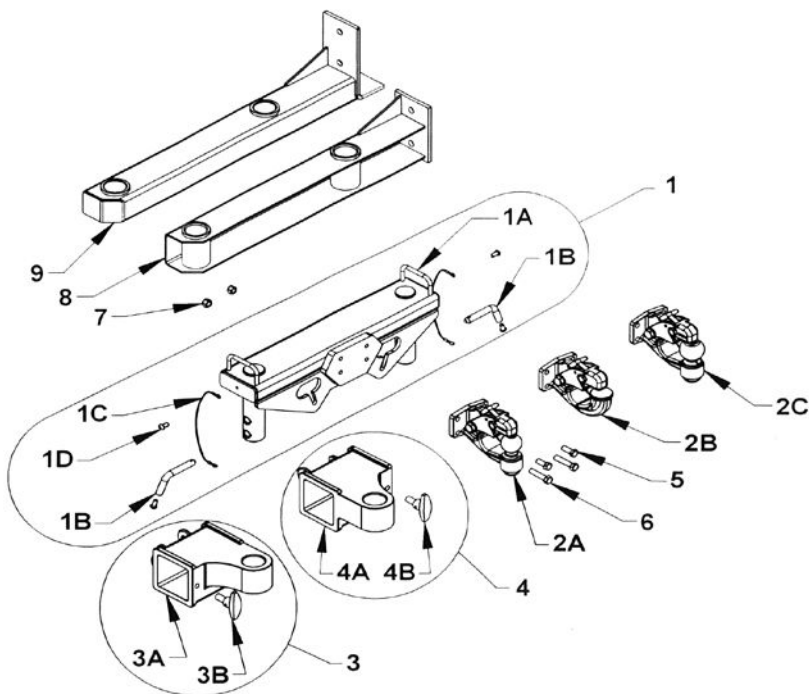
REF. NO.	PART NUMBER	DESCRIPTION
1	0308420	OVAL MID BODY TURN LED
1	0311513	OVAL MID BODY TURN GROMMET



REF. NO.	PART NUMBER	DESCRIPTION
1	0311510	RECTANGULAR REFLEX BACK UP
1	0311511	RECTANGULAR REFLEX BACK UP GROMMET

# Section VI - PARTS

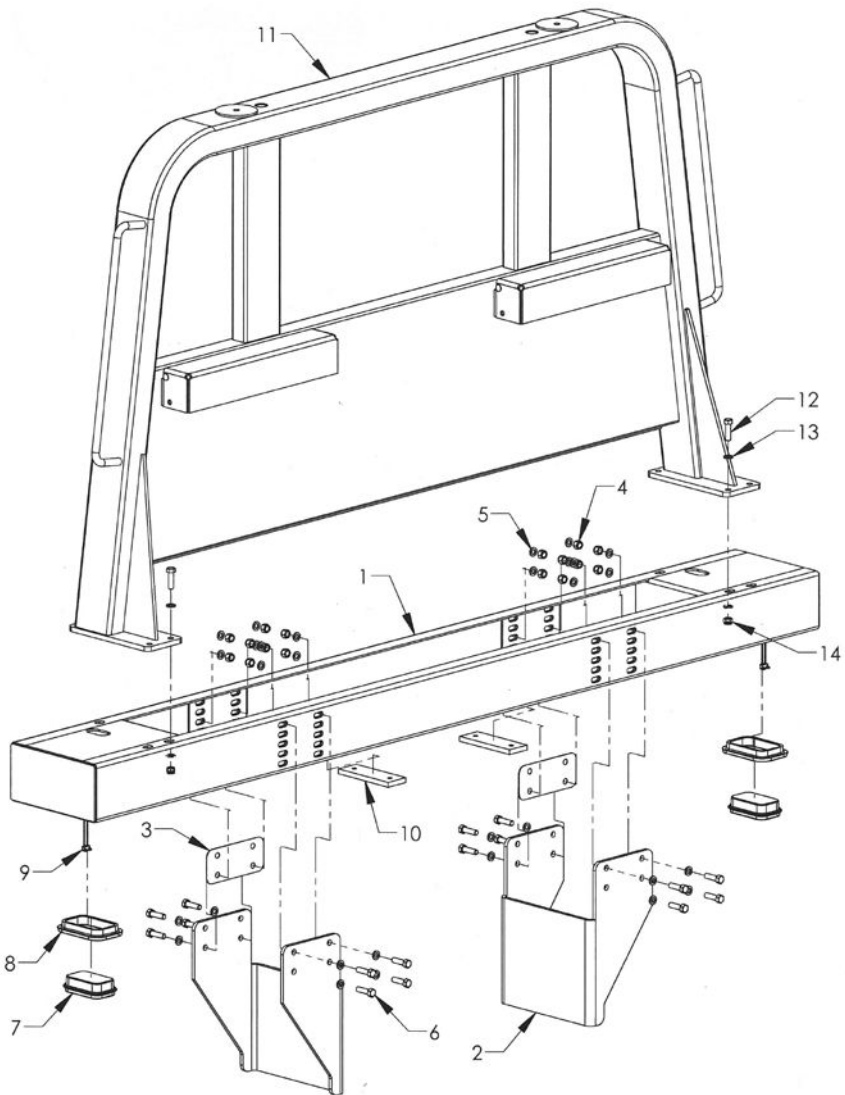
## PINTLE ATTACHMENT GROUP



REF	QTY	PART#	DESCRIPTION
1	1	66370G	PINTLE ATTACHMENT
1A	1	66370W	PINTLE ATTACHMENT WELDMENT
1B	2	66378	RETAINING PIN
1C	2	65292	LANYARD
1D	4	0403004	BOLT BHCS 3/8-16 x 3/4
2A	1	174017159	TOW BALL PINTLE HITCH - 2" BALL
2B	1	174017156	PINTLE HOOK
2C	1	174017172	TOW BALL PINTLE HITCH - 2-5/16 IN. BALL
3	1	09013890	FORK HOLDER - OFFSET - ASSEMBLY - RH
3A	1	0803581	FORK HOLDER - OFFSET - RH
3B	1	0306564	MILLER T-BOLT
4	1	0901389	FORK HOLDER - OFFSET - ASSEMBLY - LH
4A	1	0803580	FORK HOLDER - OFFSET - LH
4B	1	0306564	MILLER T-BOLT
5	2	04000005	BOLT HHCS 1/2-13 x 1.25 GRADE 8 SECURE WITH LOCTITE
6	2	0403056	BOLT HHCS 1/2-13 x 2-1/2 GRADE 8
7	2	0400408	NUT, NYLOK 1/2-13
8	1	66385	PINTLE ATTACH. STORAGE BRACKET-DUAL REAR WHEELS
9	1	66395	PINTLE ATTACHMENT STORAGE BRACKET - SUPER SINGLE

## Section VI-PARTS

### FRAME MOUNTED PYLON - 0940455-102 LCG BASE ASSEMBLY



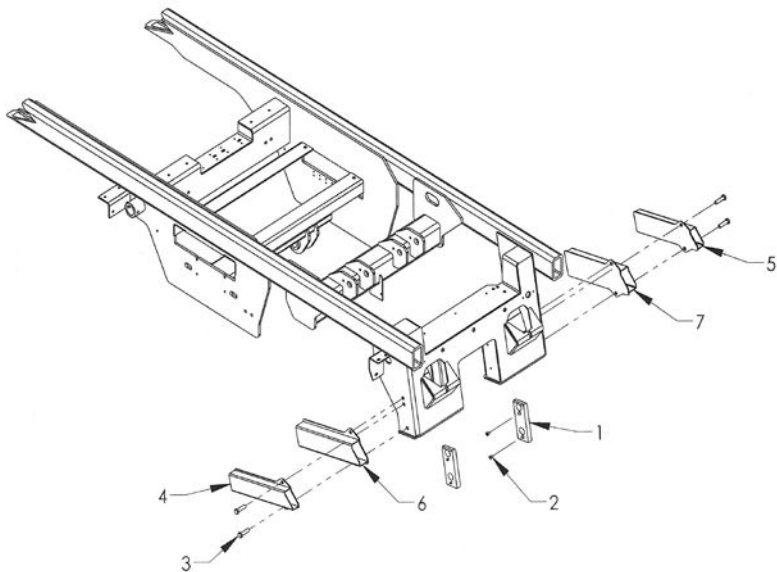
GRAB HANDLES AND CHAIN HANGERS ARE OPTIONAL PYLON EQUIPMENT

## Section VI - PARTS

### FRAME MOUNTED PYLON - 0940455-102

REF. NO.	NO. REQ'D	PART NUMBER	DESCRIPTION
1	1	0811186-102	FMP CONVENTIONAL CHAIN TRAY BASE - 102
2	2	0752751	PYLON MTG BRACKET, FMP LCG
3	2	0752730	SHIM, 16 GAGE, FMP BASE
4	16	0400408	NYLON LOCK NUT 1/2-13 UNC
5	32	0403040	FLAT WASHER 1/2 SAE ZP
6	16	0403058	BOLT HHCS 1/2-13 x 1-3/4 GR8 PLAIN
7	2	0311511	CARRIER TAIL LIGHT GROMMET
8	2	0311509	LIGHT RECT REVERSE LED
9	2	0311506	LIGHT PIGTAIL 2 PRONG 18 IN. LEAD
10	2	354614-050	FMP 1/2 IN. SPACER SERIES 12 LCG
		354614-100	FMP 1 IN. SPACER SERIES 16 LCG
		354614-150	FMP 1-1/2 IN. SPACER SERIES 20 LCG
		354614-075/175	FMP 2-1/2 IN. SPACER SERIES 20 LCG WOOD
		354614-050/175	FMP 2-1/4 IN. SPACER SERIES 30 LCG
		354614-150/175	FMP 3-1/4 IN. SPACER SERIES 30 LCG WOOD
11	1	0811185-48	FMP 12 PYLON-48
		0811185-50	FMP 12 PYLON-50
		0811185-52	FMP 12 PYLON-52
		0811185-56	FMP 12 PYLON-56
		0811185-60	FMP 12 PYLON-60
		0811185-63	FMP 12 PYLON-63
		0811185-68	FMP 12 PYLON-68
12	6	0403058	BOLT HHCS 1/2-13 x 1-3/4 GR8 PLAIN
13	12	0403040	FLAT WASHER 12 SAE ZP
14	6	0400408	NYLON LOCK NUT 1/2-13 UNC

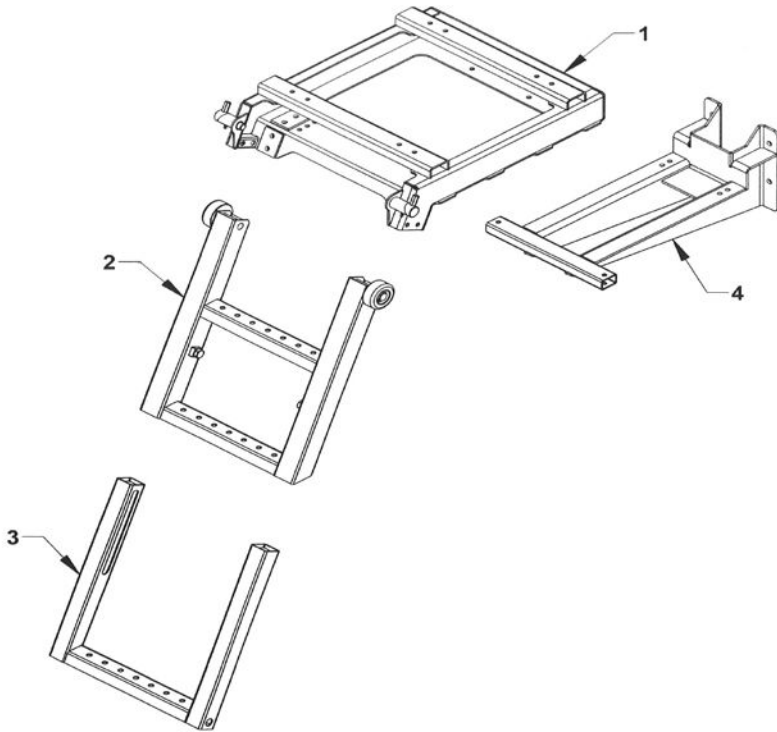
## Section VI - PARTS STABILIZER COMPONENTS



REF	PART #	DESCRIPTION	QPU
1	160526	STABILIZER WHEEL LIFT GUIDE PAD	2
2	0403093	BOLT 3/8-16 UNC x 3/4 FLAT SOCKET HEAD COUNTERSUNK	4
3	0403141	BOLT 5/8-11 UNC x 2-1/4	4
4	160533L	4K L-ARM STABILIZER STORAGE TUBE - LH	1
5	160533R	4K L-ARM STABILIZER STORAGE TUBE - RH	1
6	160537L	6K L-ARM STABILIZER STORAGE TUBE - LH	1
7	160537R	6K L-ARM STABILIZER STORAGE TUBE - RH	1

## Section VI - PARTS

### LCG RETRACTABLE LADDER

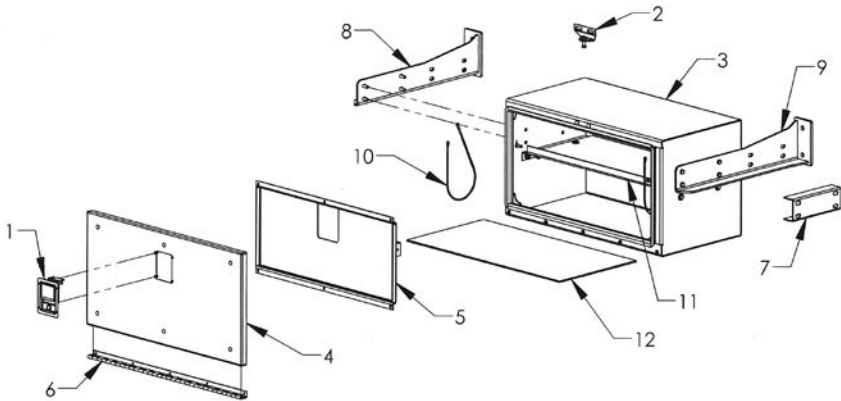


REF	PART #	DESCRIPTION	QPU
	391000	LADDER ASSEMBLY	1
1	391010	LADDER CARRIAGE	1
2	391020	UPPER RUNG ASSEMBLY	1
3	391030	LOWER RUNG ASSEMBLY	1
4	391050	FRAME MOUNTING BRACKET - OPTIONAL	1



## Section VI - PARTS

### 33" ALUMINUM TOOLBOX - 377000

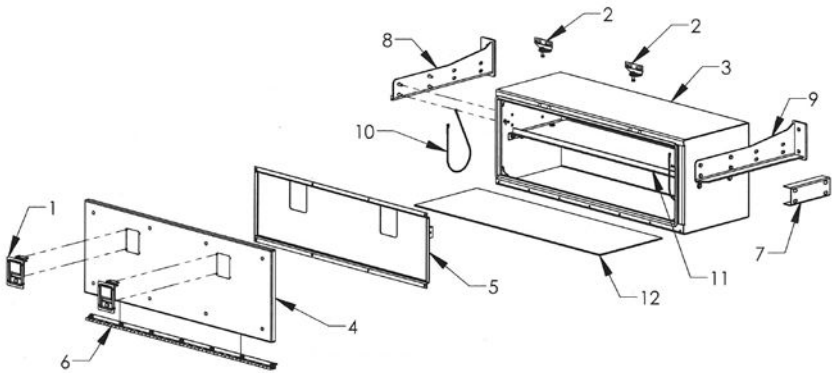


NOTE: 377000 DOES NOT INCLUDE MOUNTING BRACKETS

REF	PART #	DESCRIPTION	QPU
1	54658	ROTARY PADDLE LATCH	1
	54657	GASKET FOR PADDLE LATCH	1
	81111	#8-32 x 1/2 STAINLESS ONE WAY SCREW	4
	83111	#8-32 STAINLESS KEPT NUT	4
2	376182	STRIKER PIN MOUNTING PLATE	1
	54659	STRIKER PIN	1
	81115	STAINLESS CARRIAGE BOLT 5/16-18 x 3/4	2
	82110	FLAT WASHER 5/16	4
	82130	LOCK WASHER 5/16	2
	83110	NUT 5/16-18	2
	83125	NYLON LOCK NUT 5/16-18	1
	3	377100W	BOX WELDMENT
4	37741	DOOR WELDMENT	1
	37740	DOOR ASSEMBLY	1
	81100	STAINLESS CARRIAGE BOLT 1/4-20 x 3/4	6
	83105	NYLON LOCK NUT 1/4-20	6
5	37744	DOOR REINFORCEMENT	1
6	37735	HINGE	1
	811014	SS SOCKET BUTTON HEAD BOLT 1/4-20 x 7/8	2
	811012	SS SOCKET BUTTON HEAD BOLT 1/4-20 x 3/4	3
	811010	SS SOCKET BUTTON HEAD BOLT 1/4-20 x 5/8	5
	83105	NYLON LOCK NUT 1/4-20	10
7	37760	TANDEM BOX SPACER CHANNEL (OPTIONAL)	1
8	37855R	TANK AND TOOLBOX MT BRACKET-RH	1
9	37855L	TANK AND TOOLBOX MT BRACKET-LH	1
10	5A221	LANYARD-21 INCH	2
11	37770	SHELF	1
12	030002300	TOOLBOX MAT 33"	1

## Section VI - PARTS

### 49" ALUMINUM TOOLBOX - 378000

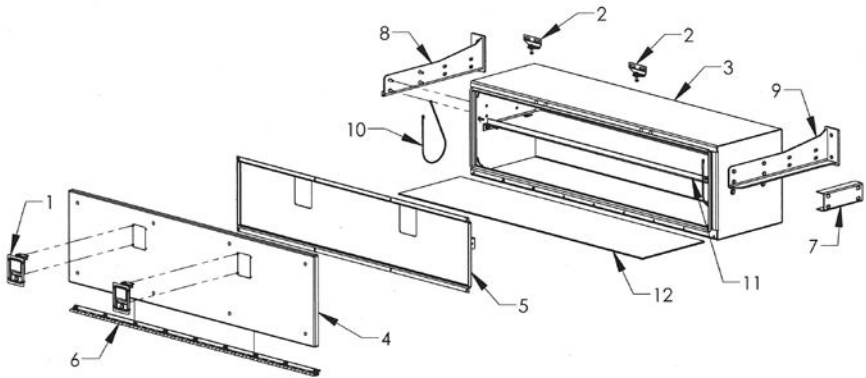


NOTE: 378000 DOES NOT INCLUDE MOUNTING BRACKETS

REF	PART #	DESCRIPTION	QPU
1	54658	ROTARY PADDLE LATCH	1
	54657	GASKET FOR PADDLE LATCH	1
	81111	#8-32 x 1/2 STAINLESS ONE WAY SCREW	4
	83111	#8-32 STAINLESS KEPT NUT	4
2	376182	STRIKER PIN MOUNTING PLATE	1
	54659	STRIKER PIN	1
	81115	STAINLESS CARRIAGE BOLT 5/16-18 x 3/4	2
	82110	FLAT WASHER 5/16	4
	82130	LOCK WASHER 5/16	2
	83110	NUT 5/16-18	2
	83125	NYLON LOCK NUT 5/16-18	1
	3	378100W	BOX WELDMENT
4	37841	DOOR WELDMENT	1
	37840	DOOR ASSEMBLY	1
	81100	STAINLESS CARRIAGE BOLT 1/4-20 x 3/4	6
	83105	NYLON LOCK NUT 1/4-20	6
5	37844	DOOR REINFORCEMENT	1
6	37835	HINGE	1
	811014	SS SOCKET BUTTON HEAD BOLT 1/4-20 x 7/8	2
	811012	SS SOCKET BUTTON HEAD BOLT 1/4-20 x 3/4	3
	811010	SS SOCKET BUTTON HEAD BOLT 1/4-20 x 5/8	5
	83105	NYLON LOCK NUT 1/4-20	10
7	37760	TANDEM BOX SPACER CHANNEL (OPTIONAL)	1
8	37855R	TANK AND TOOLBOX MT BRACKET-RH	1
9	37855L	TANK AND TOOLBOX MT BRACKET-LH	1
10	5A221	LANYARD-21 INCH	2
11	37670	SHELF	1
12	030002301	TOOLBOX MAT 49"	1

## Section VI - PARTS

### 65" ALUMINUM TOOLBOX - 379000

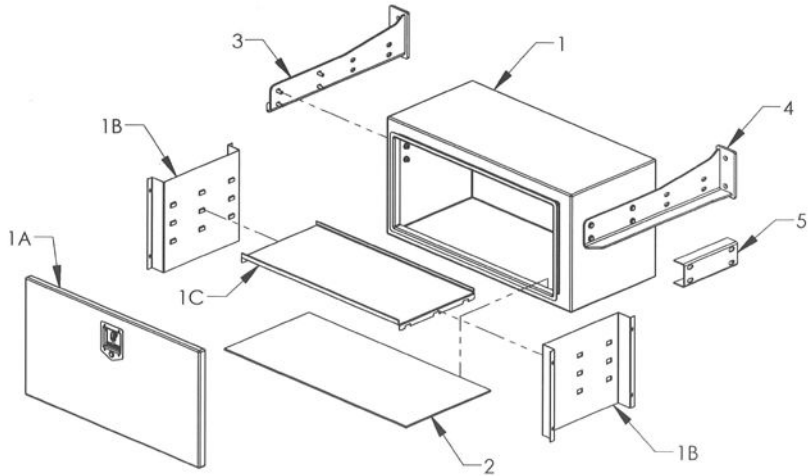


NOTE: 379000 DOES NOT INCLUDE MOUNTING BRACKETS

REF	PART #	DESCRIPTION	QPU
1	54658	ROTARY PADDLE LATCH	1
	54657	GASKET FOR PADDLE LATCH	1
	81111	#8-32 x 1/2 STAINLESS ONE WAY SCREW	4
	83111	#8-32 STAINLESS KEPT NUT	4
2	376182	STRIKER PIN MOUNTING PLATE	1
	54659	STRIKER PIN	1
	81115	STAINLESS CARRIAGE BOLT 5/16-18 x 3/4	2
	82110	FLAT WASHER 5/16	4
	82130	LOCK WASHER 5/16	2
	83110	NUT 5/16-18	2
	83125	NYLON LOCK NUT 5/16-18	1
	3	379100W	BOX WELDMENT
4	37941	DOOR WELDMENT	1
	37940	DOOR ASSEMBLY	1
	81100	STAINLESS CARRIAGE BOLT 1/4-20 x 3/4	6
	83105	NYLON LOCK NUT 1/4-20	6
5	37944	DOOR REINFORCEMENT	1
6	37935	HINGE	1
	811014	SS SOCKET BUTTON HEAD BOLT 1/4-20 x 7/8	2
	811012	SS SOCKET BUTTON HEAD BOLT 1/4-20 x 3/4	3
	811010	SS SOCKET BUTTON HEAD BOLT 1/4-20 x 5/8	5
	83105	NYLON LOCK NUT 1/4-20	10
7	37760	TANDEM BOX SPACER CHANNEL (OPTIONAL)	1
8	37855R	TANK AND TOOLBOX MT BRACKET-RH	1
9	37855L	TANK AND TOOLBOX MT BRACKET-LH	1
10	5A221	LANYARD-21 INCH	2
11	37970	SHELF	1
12	030002302	TOOLBOX MAT 65"	1

## Section VI - PARTS

### 36" STEEL TOOLBOX LCG - 174016021

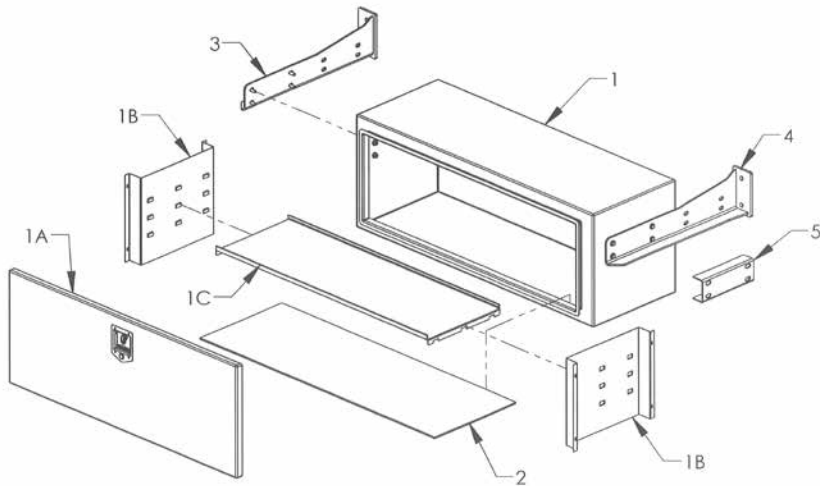


NOTE: 174016023 DOES NOT INCLUDE MOUNTING BRACKETS

REF	QPU	PART NO.	DESCRIPTION
1	1	174016021	STEEL TOOLBOX 36" WITH STAINLESS STEEL DOOR
1A	1	174016021D	SS DOOR ASSEMBLY
1B	2	07002918	STEEL TOOLBOX INSIDE PANEL
1C	1	07002919-36	STEEL TOOLBOX 36" SHELF
2	1	0308801	TOOLBOX MAT 36"
3	1	37855R	TOOLBOX AND OIL TANK MTG BRACKET-RH
4	1	37855L	TOOLBOX AND OIL TANK MTG BRACKET-LH
5	1	37760	TANDEM BOX SPACER CHANNEL (OPT)

## Section VI - PARTS

### 48" STEEL TOOLBOX LCG - 174016022

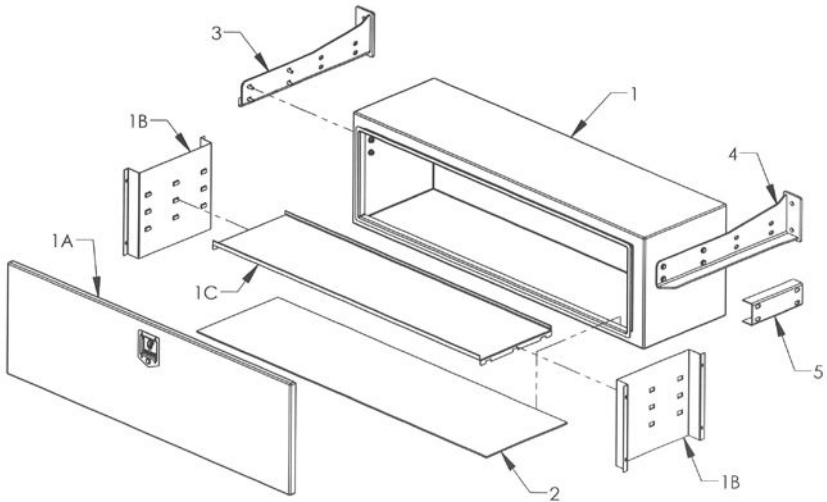


NOTE: 174016023 DOES NOT INCLUDE MOUNTING BRACKETS

REF	QPU	PART NO.	DESCRIPTION
1	1	174016022	STEEL TOOLBOX 48" WITH STAINLESS STEEL DOOR
1A	1	174016022D	SS DOOR ASSEMBLY
1B	2	07002918	STEEL TOOLBOX INSIDE PANEL
1C	1	07002919-48	STEEL TOOLBOX 48" SHELF
2	1	0308758	TOOLBOX MAT 48"
3	1	37855R	TOOLBOX AND OIL TANK MTG BRACKET-RH
4	1	37855L	TOOLBOX AND OIL TANK MTG BRACKET-LH
5	1	37760	TANDEM BOX SPACER CHANNEL (OPT)

## Section VI - PARTS

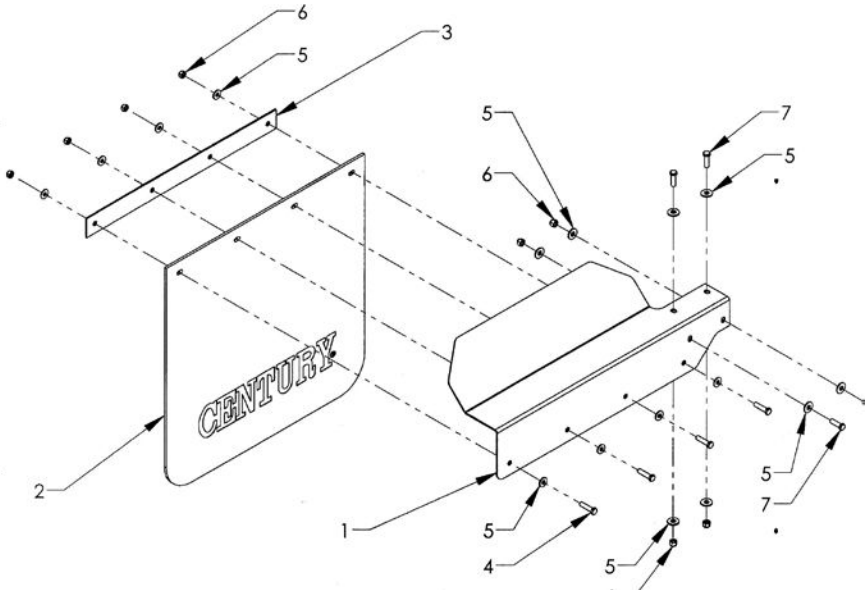
### 60" STEEL TOOLBOX LCG - 174016023



NOTE: 174016023 DOES NOT INCLUDE MOUNTING BRACKETS

REF	QPU	PART NO.	DESCRIPTION
1	1	174016023	STEEL TOOLBOX 60" WITH STAINLESS STEEL DOOR
1A	1	174016023D	SS DOOR ASSEMBLY
1B	2	07002918	STEEL TOOLBOX INSIDE PANEL
1C	1	07002919-60	STEEL TOOLBOX 60" SHELF
2	1	0308837	TOOLBOX MAT 60"
3	1	37855R	TOOLBOX AND OIL TANK MTG BRACKET-RH
4	1	37855L	TOOLBOX AND OIL TANK MTG BRACKET-LH
5	1	37760	TANDEM BOX SPACER CHANNEL (OPT)

## Section VI - PARTS MUDFLAP COMPONENTS



REF	PART #	DESCRIPTION	QPU
1	0751024L	MUDFLAP MOUNTING BRACKET (LH)	1
	0751024R	MUDFLAP MOUNTING BRACKET (RH)	1
2	0308419	MUDFLAP 24 x 24	1
3	0750340	MUDFLAP SUPPORT BAR	1
4	0400132	BOLT HHCS 3/8-16 UNC x 1-1/2	4
5	0400480	3/8 FLAT WASHER	16
	0400392	3/8-16 NYLON LOCK NUT	16
7	0400122	BOLT HHCS 3/8-16 UNC x 1-1/4 GR5	4