

CENTURY®

LEGENDARY LEADERSHIP



OWNER'S MANUAL

16 SERIES LCG CARRIERS GENERATION II

INSTALLATION, OPERATION, MAINTENANCE & PARTS

NOTE: MANUAL including SPECIFICATIONS, subject to change without notice
All ratings specified are based on structural factors only,
not vehicle capacities or capabilities.

CENTURY®

Miller Industries Towing Equipment Inc.
8503 Hilltop Drive

Ooltewah, Tennessee 37363

Phone (423) 238-4171 • FAX (423) 238-5371

FORM NO. 0540027

6/14

PRICE \$25.00

Section V - PARTS

This Section is provided by the manufacturer for the purpose of ordering any component part of the **Series 16 LCG Carrier** that may be required when part replacement is necessary. Be certain to use only original equipment replacement parts for warranty purposes as well as for keeping your **Series 16 LCG Carrier** in its original state and optimum operating capacities.

When ordering replacement or spare parts be sure to provide the following information to your carrier manufacturer authorized representative.

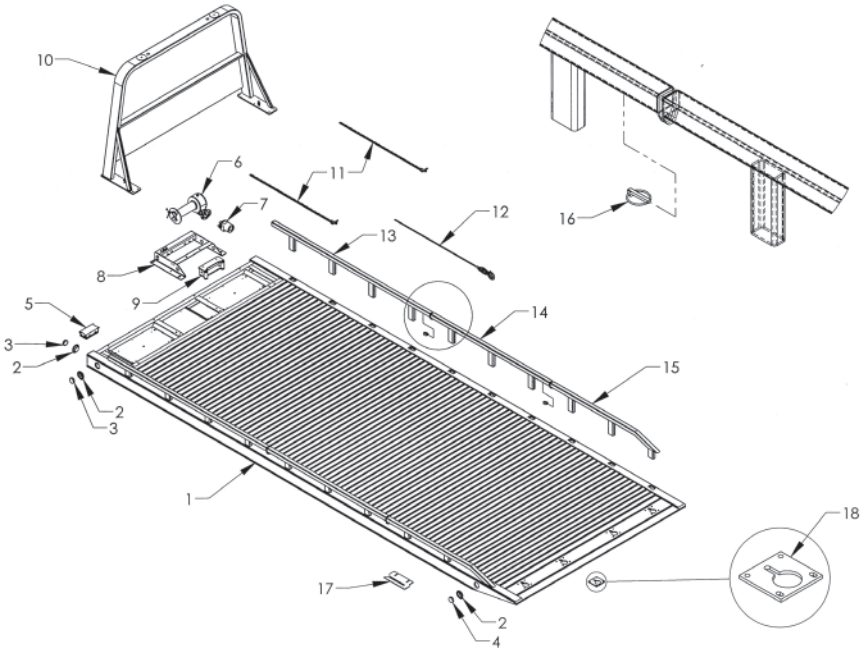
1. **Manual Number & Date of Publication**
2. **Manual Page Number**
3. **Page Title**
4. **Reference Number of Part Desired**
5. **Part Number**
6. **Part Description**
7. **Quantity of Part Desired**

Providing this information will help ensure that the correct parts will be delivered to you in an expedient manner without delay. Should additional information be required for repair or replacement of certain components, contact **Champion Carriers, Hermitage PA 16148: Phone 724-981-3328, FAX 724-981-0277.**

The Manufacturer reserves the right, without notice or obligation, to improve or modify their products, which may change the specifications, models and feature availability.

Section V - PARTS

**ALUMINUM BED ASSEMBLY
REMOVABLE TUBE RAIL**

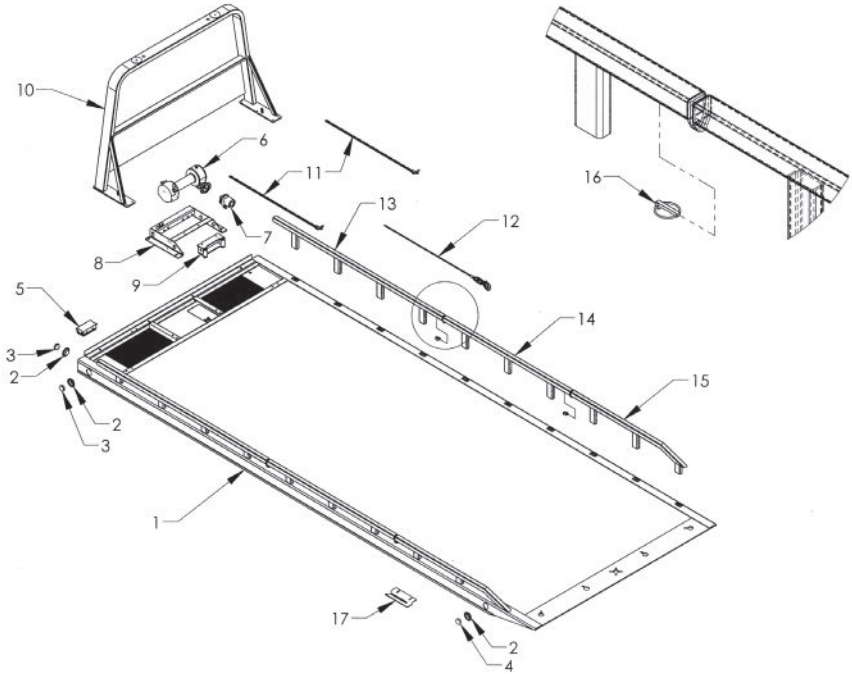


Section VI - PARTS**ALUMINUM BED ASSEMBLY
REMOVABLE RAIL**

REF. NO.	NO. REQ'D	PART NUMBER	DESCRIPTION
1	1	3018412XXX	S12 LCG G2 AL BED WELDMNT
2	6	0311516	2-1/2" MARKER LIGHT GROMMET
3	4	0311513	2-1/2" AMBER MARKER LIGHT
4	2	0311512	2-1/2" RED MARKER LIGHT
5	1	98710	10 POST JUNCTION BOX
6	1	0300250	RAMSEY 8000 LB WORM GEAR
7	1	0306157	WINCH MOTOR
8	1	0801482	WINCH MOUNTING FRAME WELDMNT
9	1	0805037	ROLLER GUIDE ASSEMBLY
10	1	0809558-XX	CAB PROTECTOR
11	2	0302493	FRONT SAFETY CHAIN ASSEMBLY - 5/16 x 8"
12	1	0301669	WINCH CABLE ASSEMBLY
13	2	34460XXF	REMOVABLE TUBE RAIL FRONT (SEE CHART)
14	2	346071M	REMOVABLE TUBE RAIL 3 POST MIDDLE
15	2	3406064	REMOVABLE TUBE RAIL REAR
16	4	84712	LYNCH PIN - 7/16 x 1-15/16
17	1	33813	ANTI-TILT PLATE
18	4	0707239	CHAIN LOCK REINFORCEMENT PLATE

Section V - PARTS

STEEL BED ASSEMBLY REMOVABLE TUBE RAIL



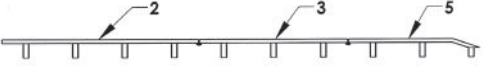

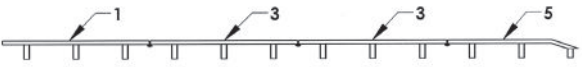
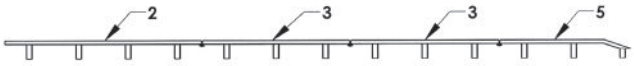
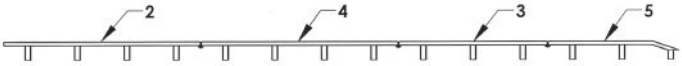
Section V - PARTS

STEEL BED ASSEMBLY REMOVABLE TUBE RAIL

REF. NO.	NO. REQ'D	PART NUMBER	DESCRIPTION
1	1	301284122XXX	S12 LCG G2 ST BED WELDMENT
2	6	0311516	2-1/2" MARKER LIGHT GROMMET
3	4	0311513	2-1/2" AMBER MARKER LIGHT
4	2	0311512	2-1/2" RED MARKER LIGHT
5	1	98710	10 POST JUNCTION BOX
6	1	0300250	RAMSEY 8000 LB WORM GEAR
7	1	0306157	WINCH MOTOR
8	1	0801480	WINCH MOUNTING FRAME WELDMENT
9	1	0805037	ROLLER GUIDE ASSEMBLY
10	1	0809558-XX	CAB PROTECTOR
11	2	0302493	FRONT SAFETY CHAIN ASSEMBLY - 5/16 x 8"
12	1	0301669	WINCH CABLE ASSEMBLY
13	2	34460XXF	REMOVABLE TUBE RAIL FRONT (SEE CHART)
14	2	346071M	REMOVABLE TUBE RAIL 3 POST MIDDLE
15	2	3406064	REMOVABLE TUBE RAIL REAR
16	4	84712	LYNCH PIN - 7/16 x 1-15/16
17	1	33813	ANTI-TILT PLATE

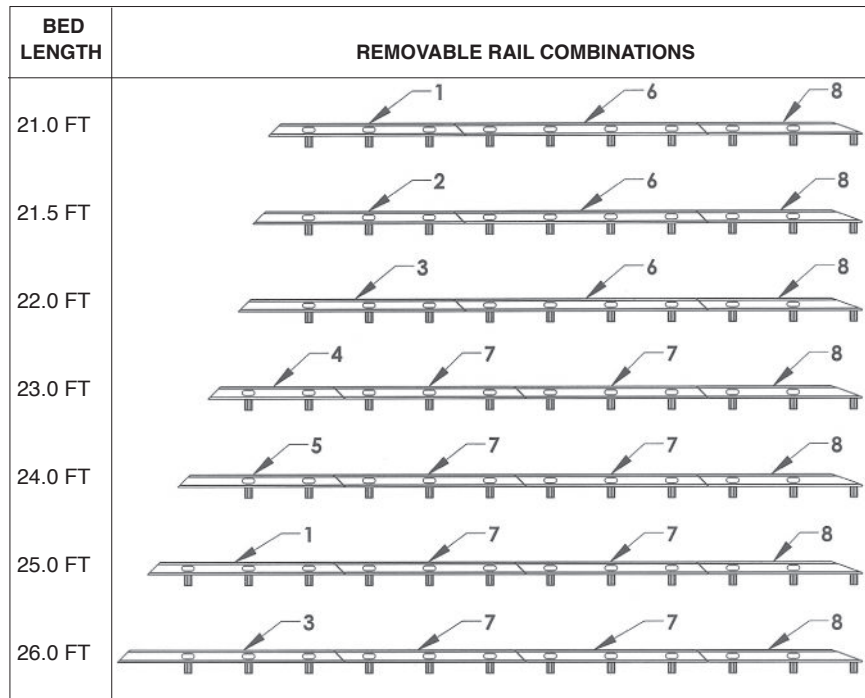
Section V - PARTS

REMOVABLE TUBE SIDE RAILS

BED LENGTH	REMOVABLE RAIL COMBINATIONS
21 TO 22 FT	
23 TO 24 FT	
25 TO 26 FT	
27 TO 28 FT	
29 TO 30 FT	

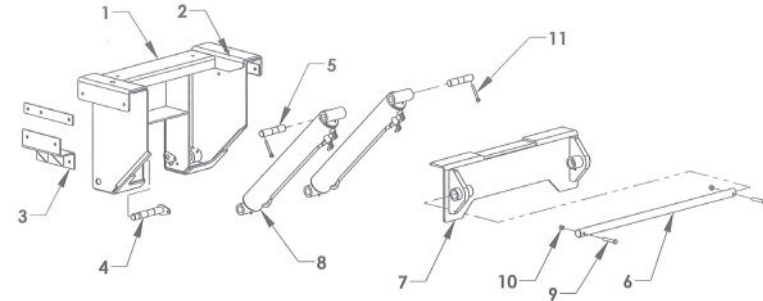
REF	PART #	DESCRIPTION	QPU
1	346071F	FRONT REMOVABLE TUBE RAIL - 3 POST	SEE CHART
2	346095F	FRONT REMOVABLE TUBE RAIL - 4 POST	SEE CHART
3	346071M	MIDDLE REMOVABLE TUBE RAIL - 3 POST	SEE CHART
4	346095M	MIDDLE REMOVABLE TUBE RAIL - 4 POST	SEE CHART
5	346064	REAR REMOVABLE TUBE RAIL - 3 POST	SEE CHART

Section V - PARTS
REMOVABLE BLADE SIDE RAILS



REF	PART #	DESCRIPTION	QPU
1	34B078FL	FRONT REMOVABLE BLADE RAIL - 3 POST	SEE CHART
2	34B084FL	FRONT REMOVABLE BLADE RAIL - 3 POST	SEE CHART
3	34B090FL	FRONT REMOVABLE BLADE RAIL - 3 POST	SEE CHART
4	34B054FL	FRONT REMOVABLE BLADE RAIL - 2 POST	SEE CHART
5	34B066FL	FRONT REMOVABLE BLADE RAIL - 2 POST	SEE CHART
6	34B096ML	MIDDLE REMOVABLE BLADE RAIL - 2 POST	SEE CHART
7	34B072ML	MIDDLE REMOVABLE BLADE RAIL - 4 POST	SEE CHART
8	34B064RL	REAR REMOVABLE BLADE RAIL - 3 POST	SEE CHART

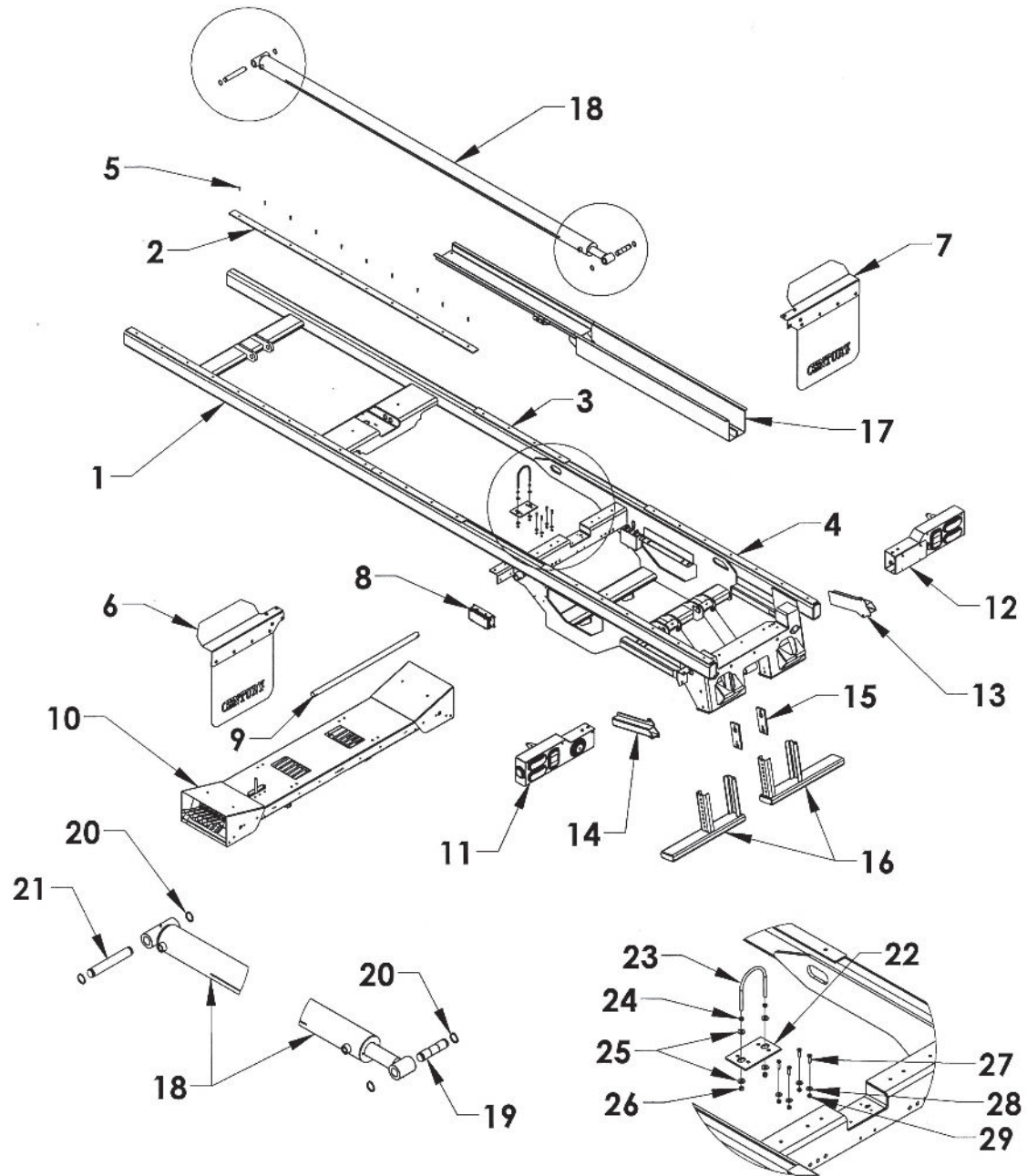
Section V - PARTS
16 LCG INBOARD TILT CYLINDERS
INTERNAL SADDLES



REF	PART #	DESCRIPTION	QPU
1	1A9002	INTERNAL SADDLE	1
2	1A821S	SADDLE SHIM	2
3	1A825	FRAME MOUNTING BRACKET	2
4	1A828A	INBOARD SADDLE TILT PIN	2
5	13068	PIN - TILT CYLINDER BASE	2
6	0750952	HINGE PIN - 1-1/2 x 41-3/8	1
7	0809533	HINGE ANGLE	1
8	72A35023	CYLINDER - CARRIER TILT	2
9	81451	BOLT 1/2-20 UNF x 3 GRADE 5	2
10	83324	NYLON LOCK NUT 1/2-20 UNF	2
11	84680	PIN EYE	2

Section V - PARTS

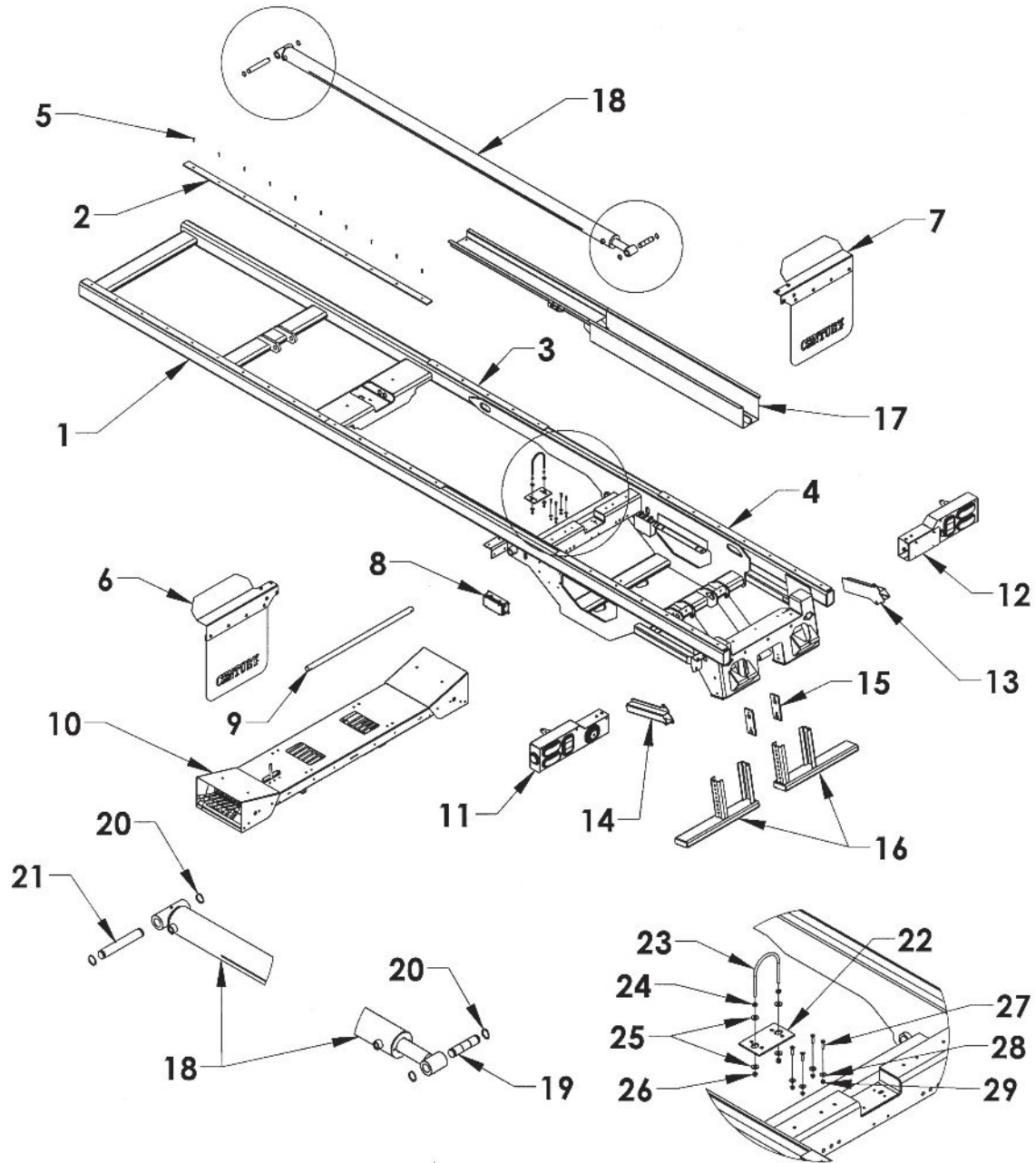
SERIES 16 LCG SUBFRAME COMPONENTS - 22 FT.



Section V - PARTS
SERIES 16 LCG 22 FT. SUBFRAME ASSEMBLY

REF NO.	NO REQ'D	PART NUMBER	DESCRIPTION
1	1	0809796-22	G2 SUBFRAME WELDMENT
2	2	0308927-96	SUBFRAME BEARING PAD 5/16 x 2-1/4 x 96
3	2	0308927-36	SUBFRAME BEARING PAD 5/16 x 2-1/4 x 36
4	2	0308927-66	SUBFRAME BEARING PAD 5/16 x 2-1/4 x 66
5	46	81007	BOLT 1/4-20 UNC x 1 - COUNTERSUNK TORX ST
6	1	0751024L	ALUM SPLASH GUARD LEFT REAR RIGHT FRONT
7	1	0751024R	ALUM SPLASH GUARD RIGHT REAR LEFT FRONT
8	1	0303385	JUNCTION BOX
9	1	0750952	S12 LCG HINGE PIN
10	1	183126	CONTROL STATION
11	1	0940325L	LCG G2 TAIL LIGHT HOUSING GROUP - LEFT
12	1	0940325R	LCG G2 TAIL LIGHT HOUSING GROUP - RIGHT
13	1	0809287R	L-ARM STORAGE TUBE - RIGHT
14	1	0809287L	L-ARM STORAGE TUBE - LEFT
15	2	0750409	STABILIZER WHEEL LIFT GUIDE PAD
16	2	160525	STABILIZER EXTENSION STAND-LOW PROFILE
17	1	0809824	LCG DUAL BAY HOSE TRAY
18	1	72A35120	SLIDEBACK CYLINDER 3.5 BORE x 120 STROKE
19	1	32117	SLIDEBACK CYLINDER MOUNTING PIN 1.230
20	4	86125E	1-1/4 SNAP RING - EXTERNAL
21	1	13302010	S12 LCG SLIDEBACK CYLINDER MOUNTING PIN
22	1	0751223	CYLINDER SUPPORT PAD
23	1	81286	U-BOLT 3/8-16 UNC
24	2		3/8 HEX NUT
25	4		3/8 FLAT WASHER
26	2		NYLON LOCK NUT 3/8-16 UNC
27	4	81121	BOLT 5/16-18 UNC - ALLEN COUNTERSUNK
28	4		5/16 FLAT WASHER
29	4		NYLON LOCK NUT 5/16-18 UNC

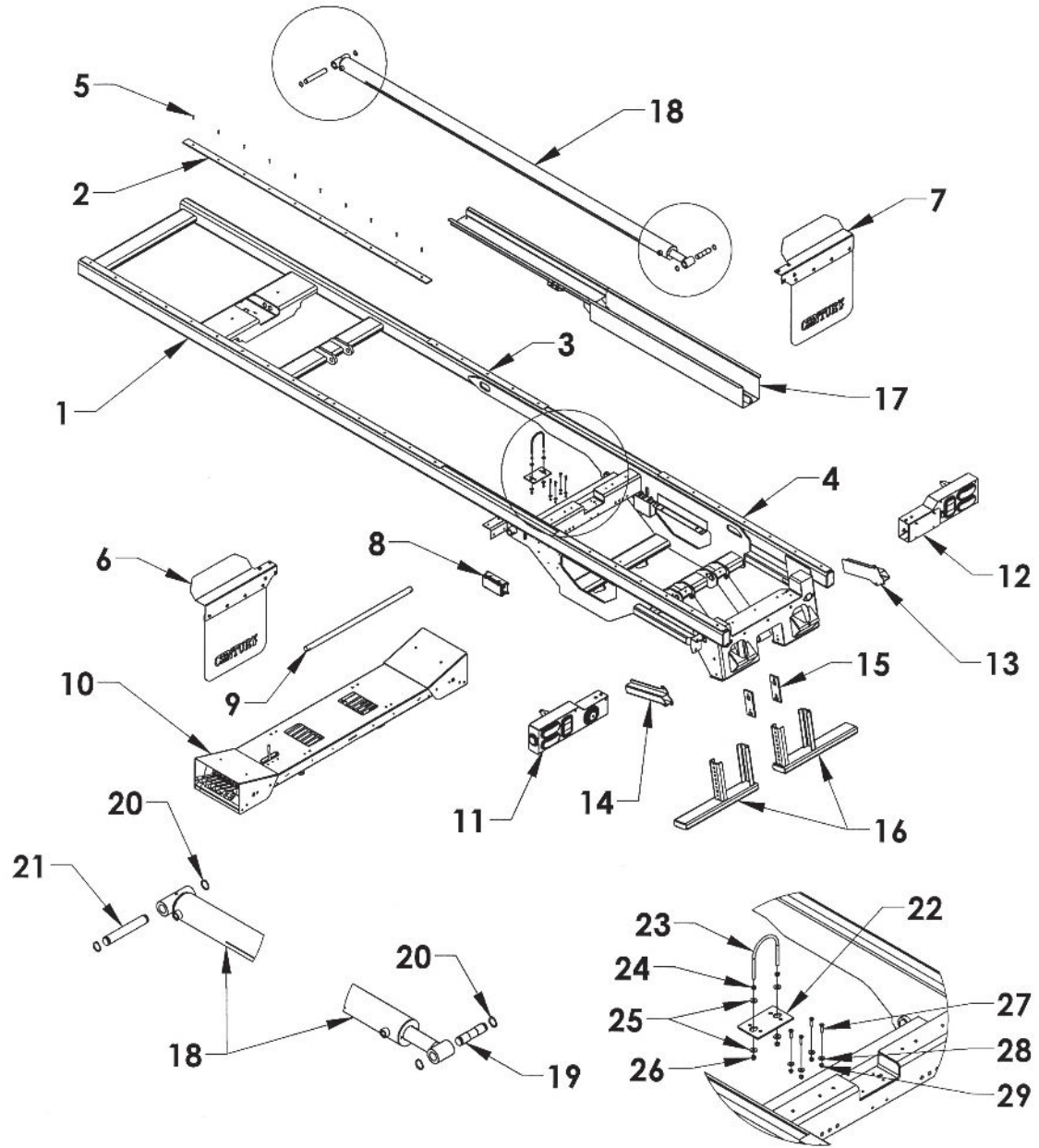
Section V - PARTS
SERIES 16 LCG 23 FT. SUBFRAME COMPONENTS



Section V - PARTS
SERIES 16 LCG 23 FT. SUBFRAME ASSEMBLY

REF NO.	NO REQ'D	PART NUMBER	DESCRIPTION
1	1	0809796-23	G2 SUBFRAME WELDMENT
2	2	0308927-96	SUBFRAME BEARING PAD 5/16 x 2-1/4x 96
3	2	0308927-56	SUBFRAME BEARING PAD 5/16 x 2-1/4x 56
4	2	0308927-66	SUBFRAME BEARING PAD 5/16 x 2-1/4 x 66
5	46	81007	BOLT 1/4-20 UNC x 1 - COUNTERSUNK TORX ST
6	1	0751024L	ALUM SPLASH GUARD LEFT REAR RIGHT FRONT
7	1	0751024R	ALUM SPLASH GUARD RIGHT REAR LEFT FRONT
8	1	0303385	JUNCTION BOX
9	1	0750952	S12 LCG HINGE PIN
10	1	183126	CONTROL STATION
11	1	0940327L	LCG G2 TAIL LIGHT HOUSING GROUP - LEFT
12	1	0940327R	LCG G2 TAIL LIGHT HOUSING GROUP - RIGHT
13	1	0809287R	L-ARM STORAGE TUBE - RIGHT
14	1	0809287L	L-ARM STORAGE TUBE - LEFT
15	2	0750409	STABILIZER WHEEL LIFT GUIDE PAD
16	2	160525	STABILIZER EXTENSION STAND-LOW PROFILE
17	1	0809824	LCG DUAL BAY HOSE TRAY
18	1	72A35120	SLIDEBACK CYLINDER 3.5 BORE x 120 STROKE
19	1	32117	SLIDEBACK CYLINDER MOUNTING PIN 1.230
20	4	86125E	1-1/4 SNAP RING - EXTERNAL
21	1	13302010	S12 LCG SLIDEBACK CYLINDER MOUNTING PIN
22	1	0751223	CYLINDER SUPPORT PAD
23	1	81286	U-BOLT 3/8-16 UNC
24	2		3/8 HEX NUT
25	4		3/8 FLAT WASHER
26	2		NYLON LOCK NUT 3/8-16 UNC
27	4	81121	BOLT 5/16-18 UNC - ALLEN COUNTERSUNK
28	4		5/16 FLAT WASHER
29	4		NYLON LOCK NUT 5/16-18 UNC

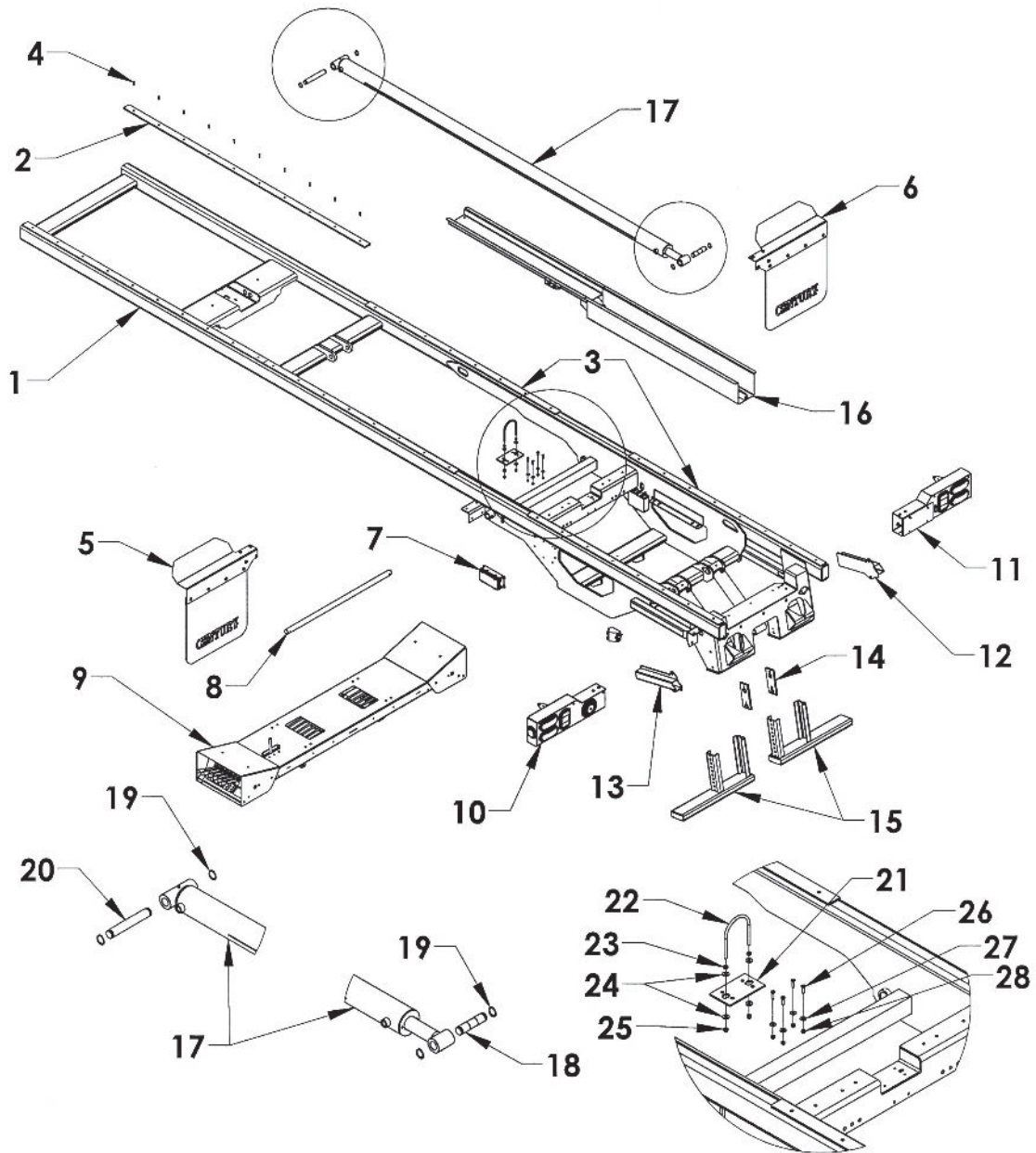
Section V - PARTS
SERIES 16 LCG 24 FT. SUBFRAME COMPONENTS



Section V - PARTS
SERIES 16 LCG 24 FT. SUBFRAME ASSEMBLY

REF NO.	NO REQ'D	PART NUMBER	DESCRIPTION
1	1	0809796-24	G2 SUBFRAME WELDMENT
2	2	0308927-96	SUBFRAME BEARING PAD 5/16 x 2-1/4x 96
3	2	0308927-56	SUBFRAME BEARING PAD 5/16 x 2-1/4x 56
4	2	0308927-66	SUBFRAME BEARING PAD 5/16 x 2-1/4 x 66
5	46	81007	BOLT 1/4-20 UNC x 1 - COUNTERSUNK TORX ST
6	1	0751024L	ALUM SPLASH GUARD LEFT REAR RIGHT FRONT
7	1	0751024R	ALUM SPLASH GUARD RIGHT REAR LEFT FRONT
8	1	0303385	JUNCTION BOX
9	1	0750952	S12 LCG HINGE PIN
10	1	183126	CONTROL STATION
11	1	0940327L	LCG G2 TAIL LIGHT HOUSING GROUP - LEFT
12	1	0940327R	LCG G2 TAIL LIGHT HOUSING GROUP - RIGHT
13	1	0809287R	L-ARM STORAGE TUBE - RIGHT
14	1	0809287L	L-ARM STORAGE TUBE - LEFT
15	2	0750409	STABILIZER WHEEL LIFT GUIDE PAD
16	2	160525	STABILIZER EXTENSION STAND-LOW PROFILE
17	1	0809824	LCG DUAL BAY HOSE TRAY
18	1	72A35120	SLIDEBACK CYLINDER 3.5 BORE x 120 STROKE
19	1	32117	SLIDEBACK CYLINDER MOUNTING PIN 1.230
20	4	86125E	1-1/4 SNAP RING - EXTERNAL
21	1	13302010	S12 LCG SLIDEBACK CYLINDER MOUNTING PIN
22	1	0751223	CYLINDER SUPPORT PAD
23	1	81286	U-BOLT 3/8-16 UNC
24	2		3/8 HEX NUT
25	4		3/8 FLAT WASHER
26	2		NYLON LOCK NUT 3/8-16 UNC
27	4	81121	BOLT 5/16-18 UNC - ALLEN COUNTERSUNK
28	4		5/16 FLAT WASHER
29	4		NYLON LOCK NUT 5/16-18 UNC

Section V - PARTS
SERIES 16 LCG 26 FT. SUBFRAME COMPONENTS



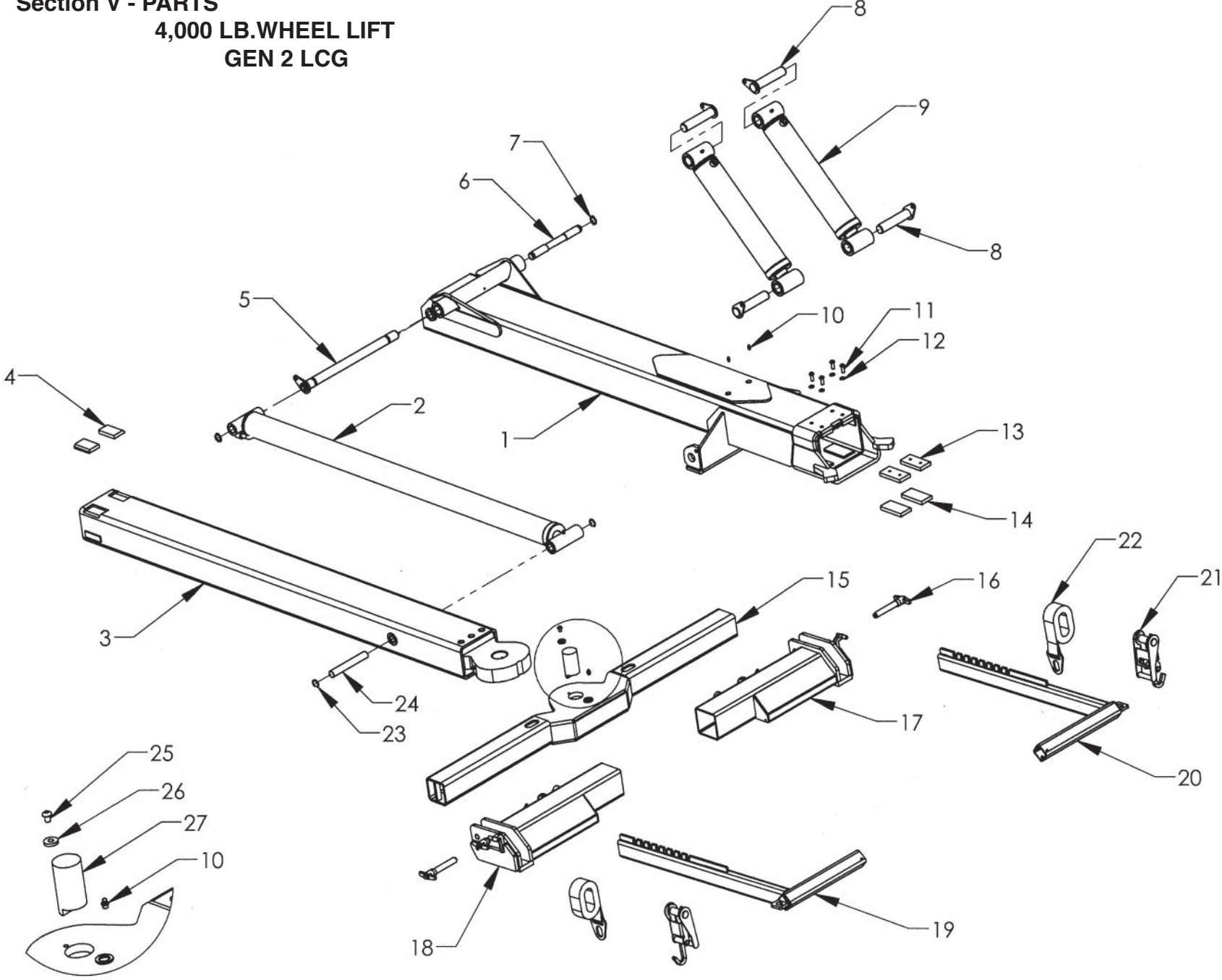
Section V - PARTS
SERIES 16 LCG 26 FT. SUBFRAME ASSEMBLY

REF NO.	NO REQ'D	PART NUMBER	DESCRIPTION
1	1	0809796-26	G2 SUBFRAME WELDMENT
2	2	0308927-96	SUBFRAME BEARING PAD 5/16 x 2-1/4x 96
3	4	0308927-76	SUBFRAME BEARING PAD 5/16 x 2-1/4x 76
4	46	81007	BOLT 1/4-20 UNC x 1 - COUNTERSUNK TORX ST
5	1	0751024L	ALUM SPLASH GUARD LEFT REAR RIGHT FRONT
6	1	0751024R	ALUM SPLASH GUARD RIGHT REAR LEFT FRONT
7	1	0303385	JUNCTION BOX
8	1	0750952	S12 LCG HINGE PIN
9	1	183126	CONTROL STATION
10	1	0940327L	LCG G2 TAIL LIGHT HOUSING GROUP - LEFT
11	1	0940327R	LCG G2 TAIL LIGHT HOUSING GROUP - RIGHT
12	1	0809287R	L-ARM STORAGE TUBE - RIGHT
13	1	0809287L	L-ARM STORAGE TUBE - LEFT
14	2	0750409	STABILIZER WHEEL LIFT GUIDE PAD
15	2	160525	STABILIZER EXTENSION STAND-LOW PROFILE
16	1	0809824	LCG DUAL BAY HOSE TRAY
17	1	72A35120	SLIDEBACK CYLINDER 3.5 BORE x 120 STROKE
18	1	32117	SLIDEBACK CYLINDER MOUNTING PIN 1.230
19	4	86125E	1-1/4 SNAP RING - EXTERNAL
20	1	13302010	S12 LCG SLIDEBACK CYLINDER MOUNTING PIN
21	1	0751223	CYLINDER SUPPORT PAD
22	1	81286	U-BOLT 3/8-16 UNC
23	2		3/8 HEX NUT
24	4		3/8 FLAT WASHER
25	2		NYLON LOCK NUT 3/8-16 UNC
26	4	81121	BOLT 5/16-18 UNC - ALLEN COUNTERSUNK
27	4		5/16 FLAT WASHER
28	4		NYLON LOCK NUT 5/16-18 UNC

Section V - PARTS
SERIES 16 LCG GEN2 TAIL LIGHT COMPONENTS

REF. NO.	NO. REQ'D	PART NUMBER	DESCRIPTION
1	1	0809517L	TAIL LIGHT HOUSING WELDMENT - LEFT
2	2	0809517R	TAIL LIGHT HOUSING WELDMENT - RIGHT
3	1	0751892L	12/16/20 LCG TAIL LIGHT BEZEL - LEFT G2
4	1	0751892R	12/16/20 LCG TAIL LIGHT BEZEL - RIGHT G2
5	2	0750672	WORK LIGHT MOUNTING BRACKET
6	2	0311516	2-1/2 IN. MARKER LIGHT GROMMET
7	2	0311512	2-1/2 IN. RED MARKER LIGHT
8	4	0311503	6 IN. OVAL GROMMET
9	4	0311498	6 IN. OVAL RED LIGHT
10	2	0311511	CARRIER TAIL LIGHT GROMMET
11	2	0311510	CARRIER BACK UP LIGHT
12	1	0311528	BACK UP ALARM GROMMET
13	1	0306385	BACK UP ALARM
14	1	0311525	LICENSE PLATE LIGHT
15	2	0306050	TAIL LIGHT WIRE GROMMET
16	4	-	BOLT, HHCS 3/8-16 UNC x 1
17	14	-	LOCK WASHER - 1/4
18	12	-	BOLT, RHMS 1/4-20 UNC x 3/4
19	14	-	HEX NUT 1/4-20 UNC
20	8	-	BOLT, CARRIAGE 3/8-16 UNC x 1-1/4 SS
21	8	-	FLAT WASHER - 3/8
22	12	-	NYLON LOCK NUT 3/8-16 UNC
23	2	-	BOLT, HHCS 1/4-20 UNC x 1
24	2	-	NYLON LOCK NUT 1/4-20 UNC

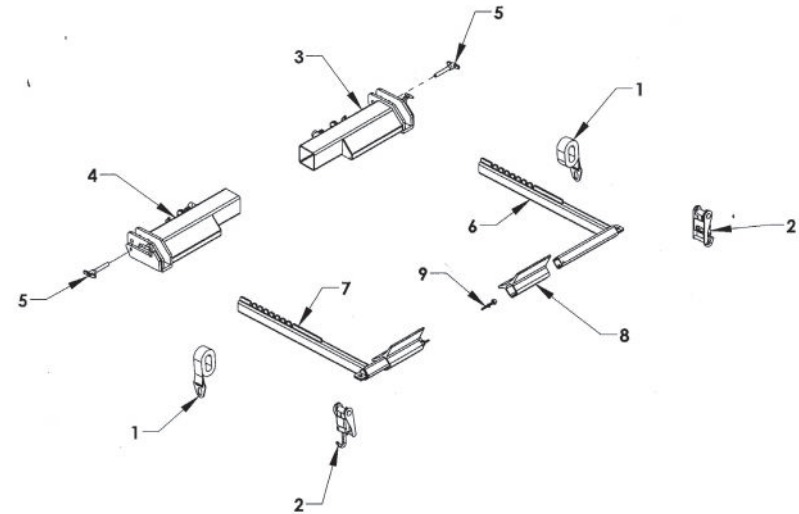
Section V - PARTS
4,000 LB. WHEEL LIFT
GEN 2 LCG



Section V - PARTS
4,000 LB. WHEEL LIFT - GEN 2

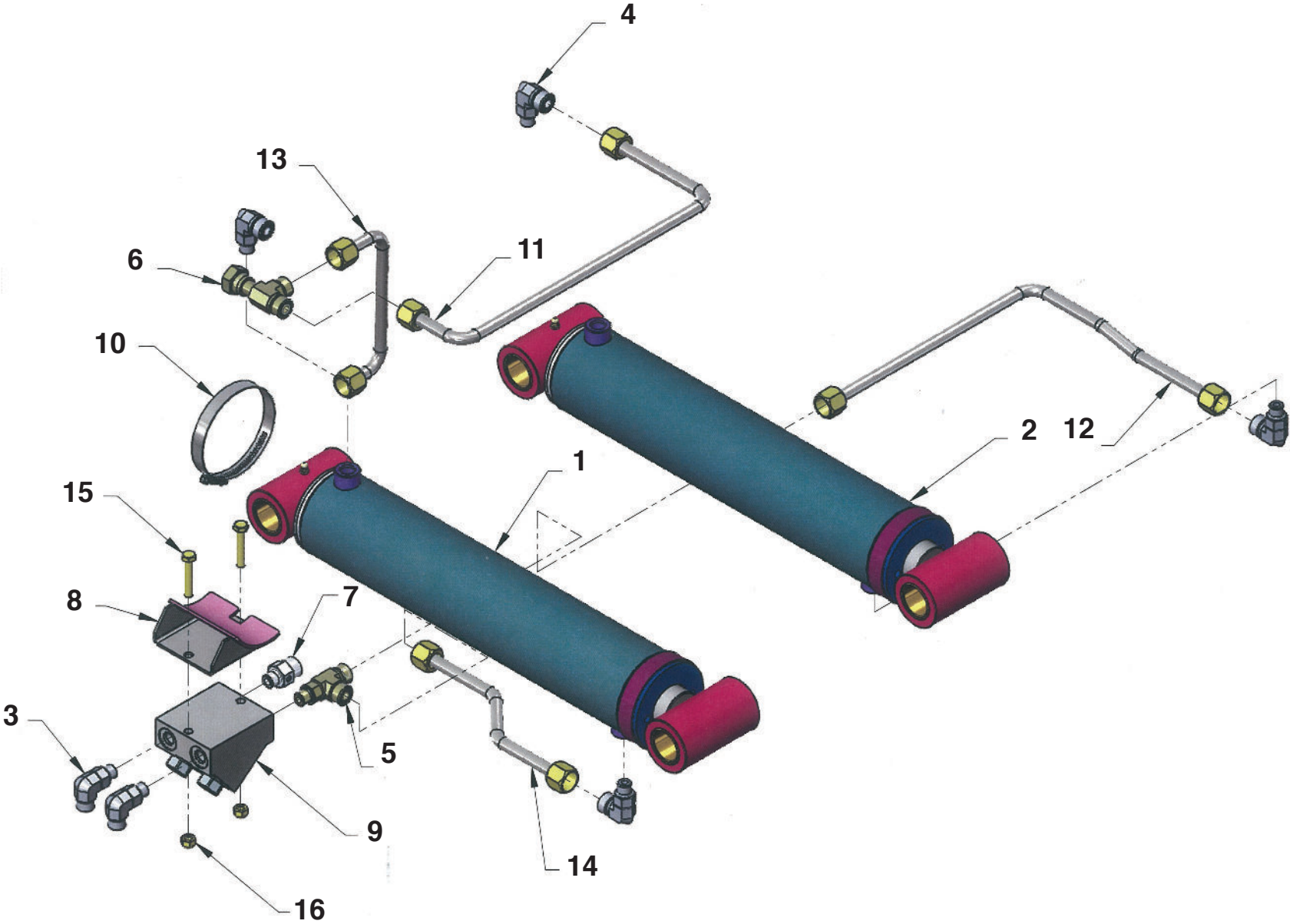
REF. NO.	NO. REQ'D	PART NUMBER	DESCRIPTION
1		10270408	WHEEL LIFT OUTER BOOM TUBE - 4K
2		72A30054	WHEEL LIFT EXTEND CYLINDER 3.0 x 54
3		102404	4K INNER BOOM WELDMENT
4		65613	WEAR PAD 1/2 x 2 x 3 NSM BEVELED
5		0809411U	WHEEL LIFT BOOM HINGE PIN
6		729352	PIN -CARRIER W/L EXTEND CYLINDER BASE
7		86100E	SNAP RING 1" EXTERNAL
8		14710	KEEPER PIN 1.23 x 5.50
9		72A33013	LIFT CYLINDER 3.25 x 1.75 x 13.00
10		7B130	GREASE FITTING 1/4-28
11			BOLT, BHCS 3/8-16 UNC x 1
12			LOCK WASHER 3/8"
13		63595H	WEAR PAD NYLATRON NSM 1/2 x 2 x 4 WITH HOLES
14		63595	WEAR PAD NYLATRON NSM 1/2 x 2 x 4
15		65515	CROSSBAR WELDMENT
16		84922	T-PIN 3/4 x 3-1/2 QUICKPIN
17		65267R	WHEEL GRID - RIGHT
18		65267L	WHEEL GRID - LEFT
19		65250L	4000 LB. L-ARM - LEFT
20		65250R	4000 LB. L-ARM - RIGHT
21		65280A	RATCHET ASSEMBLY
22		65285	CHAIN BOX BCK PLATE - LFT WHEEL STRP W/D RING YLW
23		86100I	SNAP RING 1" INTERNAL
24		72940	CYLINDER PIN 0.980 x 6-5./8
25			BOLT - BHCS 3/8-16 UNC x 1/2
26		82216	WASHER 3/8 I.D. x 1 O.D.
27		65435	CROSSBAR PIVOT PIN

Section V - PARTS
WHEEL LIFT RELEASABLE L-ARMS



REF. NO.	NO. REQ'D	PART NUMBER	DESCRIPTION
1	2	65285	WHEEL STRAP WITH D-RING - YELLOW
2	2	65280A	WHEEL LIFT RATCHET AND HOOK ASSEMBLY
3	1	65265R	WHEEL GRID - RIGHT
4	1	65265L	WHEEL GRID - LEFT
5	2	84921	T-PIN WITH LANYARD
6	1	65250R	4000 LB. L-ARM RIGHT
7	1	65250L	4000 LB. L-ARM LEFT
8	2	65245	REMOVABLE PAN
9	2	84911	5/16 SAFETY SNAP PIN

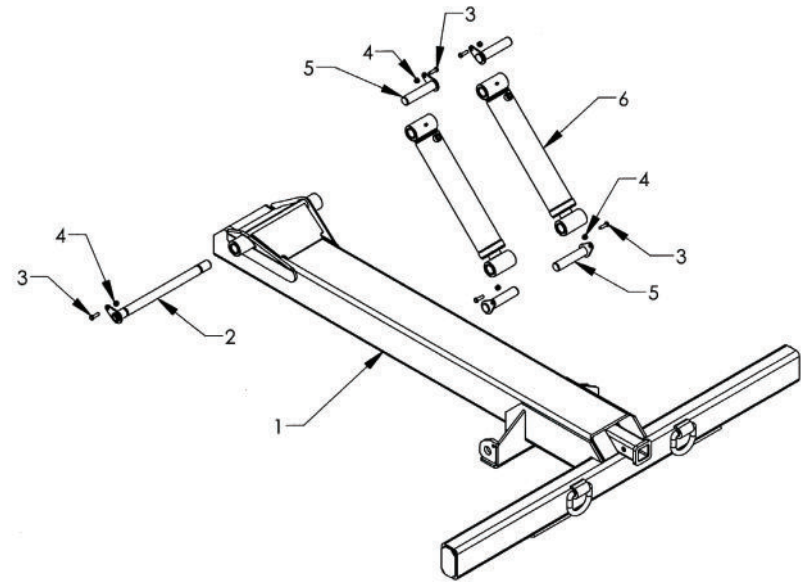
Section V - PARTS
UNDERLIFT CYLINDER FLUID TUBE GROUP



Section V - PARTS
UNDERLIFT CYLINDER FLUID
TUBE GROUP

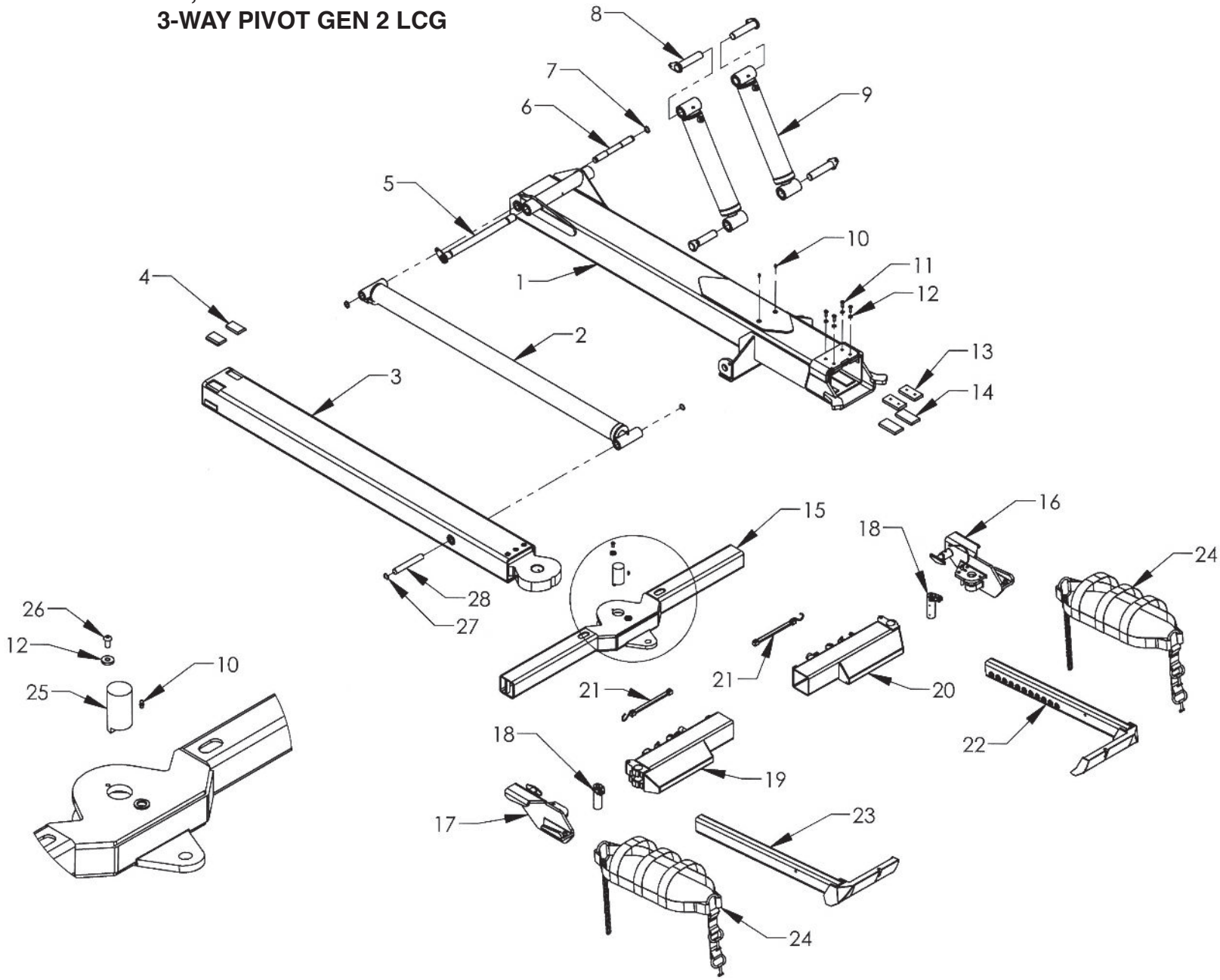
REF. NO.	NO. REQ'D	PART NUMBER	DESCRIPTION
1	1	72A33013	LIFT CYLINDER 3.25 x 1.75 x 13.00
2	1	72A39013	LIFT CYLINDER 3.25 x 1.75 x 13.00
3	2	ADPTR-FF1868T06065	ADAPTER 90 ORS/ORB 6 x 6
4	4	ADPTR-FF1868T08065	ADAPTER 90 ORS/ORB 8 x 6
5	1	ADPTR-FF1865T08065	ADAPTER TEE ORS/ORS/ORB 8 x 8 x 6
6	1	ADPTR-FF2114T08085	ADAPTER TEE ORS 8 x 8
7	1	ADPTR-FF1852T0806	ADAPTER STRAIGHT ORS/ORB 8 x 6
8	1	0809875-325	UNDERLIFT VALVE MOUNTING BRACKET
9	1	74345	DUAL COUNTERBALANCE VALVE CBCG-XVN
10	1	85164	HOSE CLAMP 3-3.5 STAINLESS 316
11	1	72H33013L2	UNDERLIFT FLUID TUBE ASSEMBLY - LEFT
12	1	72H33013L1	UNDERLIFT FLUID TUBE ASSEMBLY - LEFT
13	1	72H33013R2	UNDERLIFT FLUID TUBE ASSEMBLY - RIGHT
14	1	72H33013R1	UNDERLIFT FLUID TUBE ASSEMBLY - RIGHT
15	2	BOLT-HX-0312X1750	5/16 x 1-3/4 HEX BOLT
16	2	7A528W	NYLON LOCK NUT 5/16-18 UNC

Section V - PARTS
DOCK STABILIZER



REF. NO.	NO. REQ'D	PART NUMBER	DESCRIPTION
1	1	0810010-12	DOCK STABILIZER WELDMENT
2	1	0809411U	WHEEL LIFT BOOM HINGE PIN
3	5		BOLT HHCS, 3/8-16 UNC x 1-1/4
4	5		NYLON LOCK NUT, 3/8-16 UNC
5	4	14710	KEEPER PIN 1.23 x 5.50
6	2	72A33013	LIFT CYLINDER 3/25 x 1.75 x 13.0

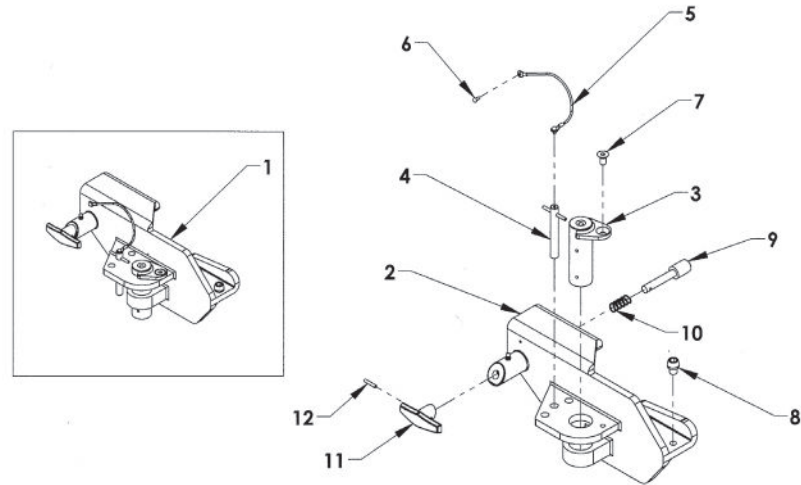
Section V - PARTS
4,000 LB.WHEEL LIFT
3-WAY PIVOT GEN 2 LCG



Section V - PARTS
4,000 LB. WHEEL LIFT
3-WAY PIVOT GEN 2

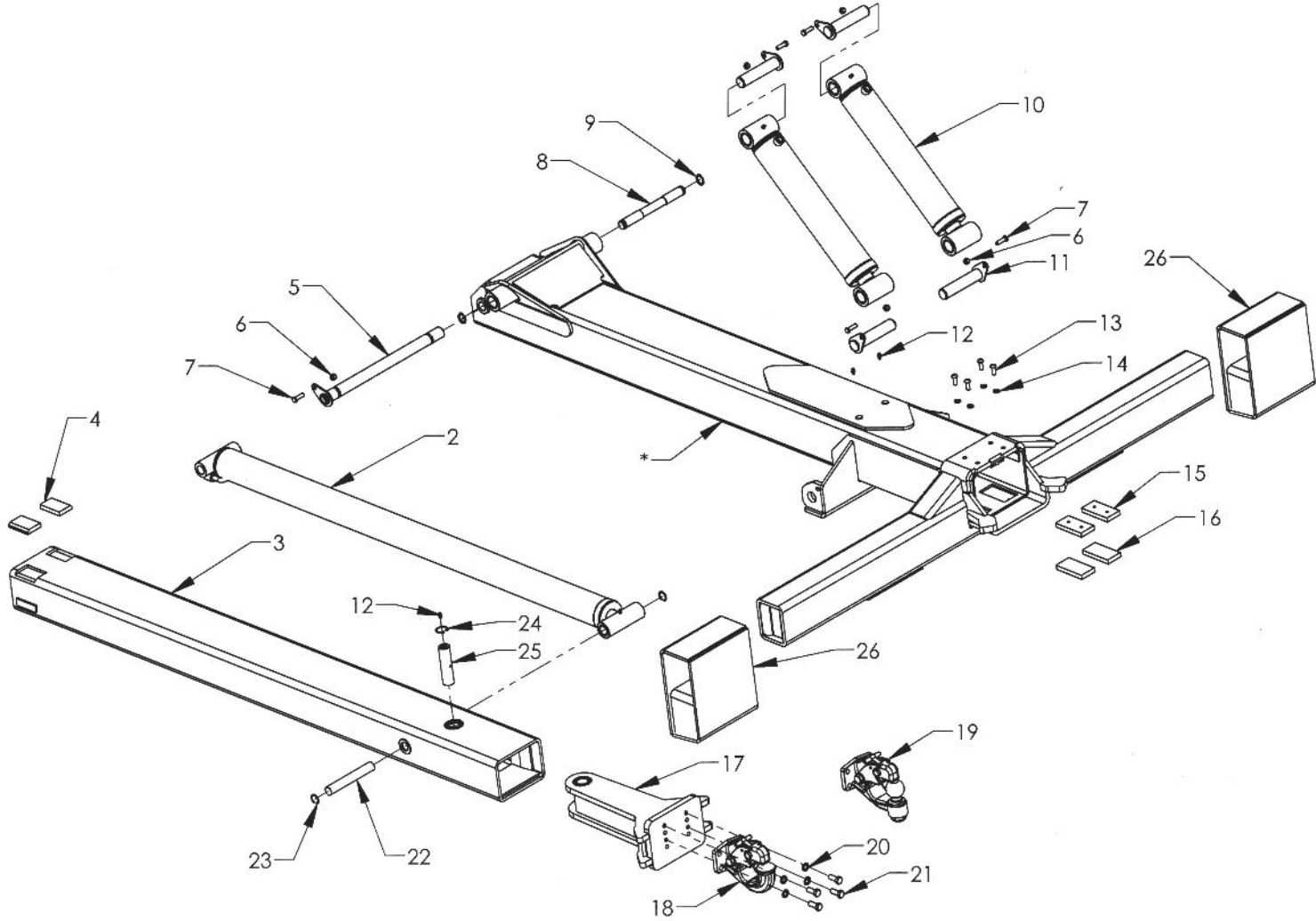
REF. NO.	NO. REQ'D	PART NUMBER	DESCRIPTION
1	1	10270408	WHEEL LIFT OUTER BOOM TUBE - 4K
2	1	72A30054	WHEEL LIFT EXTEND CYLINDER 3.0 x 54
3	1	102404	4K INNER BOOM WELDMENT
4	2	65613	WEAR PAD 1/2 x 2 x 3 NSM BEVELED
5	1	0809411U	WHEEL LIFT BOOM HINGE PIN
6	1	729352	PIN -CARRIER W/L EXTEND CYLINDER BASE
7	2	86100E	SNAP RING 1" EXTERNAL
8	4	14710	KEEPER PIN 1.23 x 5.50
9	2	72A33013	LIFT CYLINDER 3.25 x 1.75 x 13.00
10	3		GREASE FITTING 1/4-28
11	4		BOLT, BHCS 3/8-16 UNC x 1
12	5		LOCK WASHER 3/8"
13	2	63595H	WEAR PAD NYLATRON NSM 1/2 x 2 x 4 WITH HOLES
14	2	63595	WEAR PAD NYLATRON NSM 1/2 x 2 x 4
15	1	655152	CROSSBAR WELDMENT
16	1	659821R	PIVOT L-ARM RECEIVER - RIGHT
17	1	659821L	PIVOT L-ARM RECEIVER - LEFT
18	2	659822	L-ARM PIVOT PIN
19	1	659811L	PIVOT WHEEL GRID - LEFT
20	1	659811R	PIVOT WHEEL GRID - RIGHT
21	2	AA009G	RUBBER TENSION STRAP WITH S-HOOK
22	1	659830R	3-WAY PIVOT L-ARM - RIGHT
23	1	659830L	3-WAY PIVOT L-ARM - LEFT
24	2	65286	BASKET STRAP - CAR
	2	65287	BASKET STRAP - TRUCK
25	1	65435	CROSSBAR PIVOT PIN
26	1		BOLT - HEX 3/8-16 x 3/4
27	2	86100I	SNAP RING 1" INTERNAL
28	1	72940	CYLINDER PIN 0.980 x 6-5/8

Section V - PARTS
PIVOT L-ARM RECEIVER GROUP



REF. NO.	NO. REQ'D	PART NUMBER	DESCRIPTION
1	1	659820L	PIVOT L-ARM RECEIVER GROUP-LEFT
	1	659820R	PIVOT L-ARM RECEIVER GROUP-RIGHT (SHOWN)
2	1	659821L	PIVOT L-ARM RECEIVER CASTING - LEFT
	1	659821R	PIVOT L-ARM RECEIVER CASTING-RHT (SHOWN)
3	1	659822	L-ARM RECEIVER CASTING PIVOT PIN
4	1	659826	PIVOT LOCK PIN
5	1	659827	LANYARD
6	1	85016	RIVET
7	1	81225	FLAT HEAD SOCKET CAP SCREW 3/8-16 UNC x 1/2
8	1	81226	TAPERED SCOKET CAP SCREW 1/2-13 UNC x 1/2
9	1	659824	7/8 CAM PIN
10	1	89100	CAM PIN SPRING
11	1	659825	T-HANDLE
12	1	84675	ROLL PIN 3/16 x 1

Section V - PARTS
PIVOTING PINTLE - GEN 2 LCG

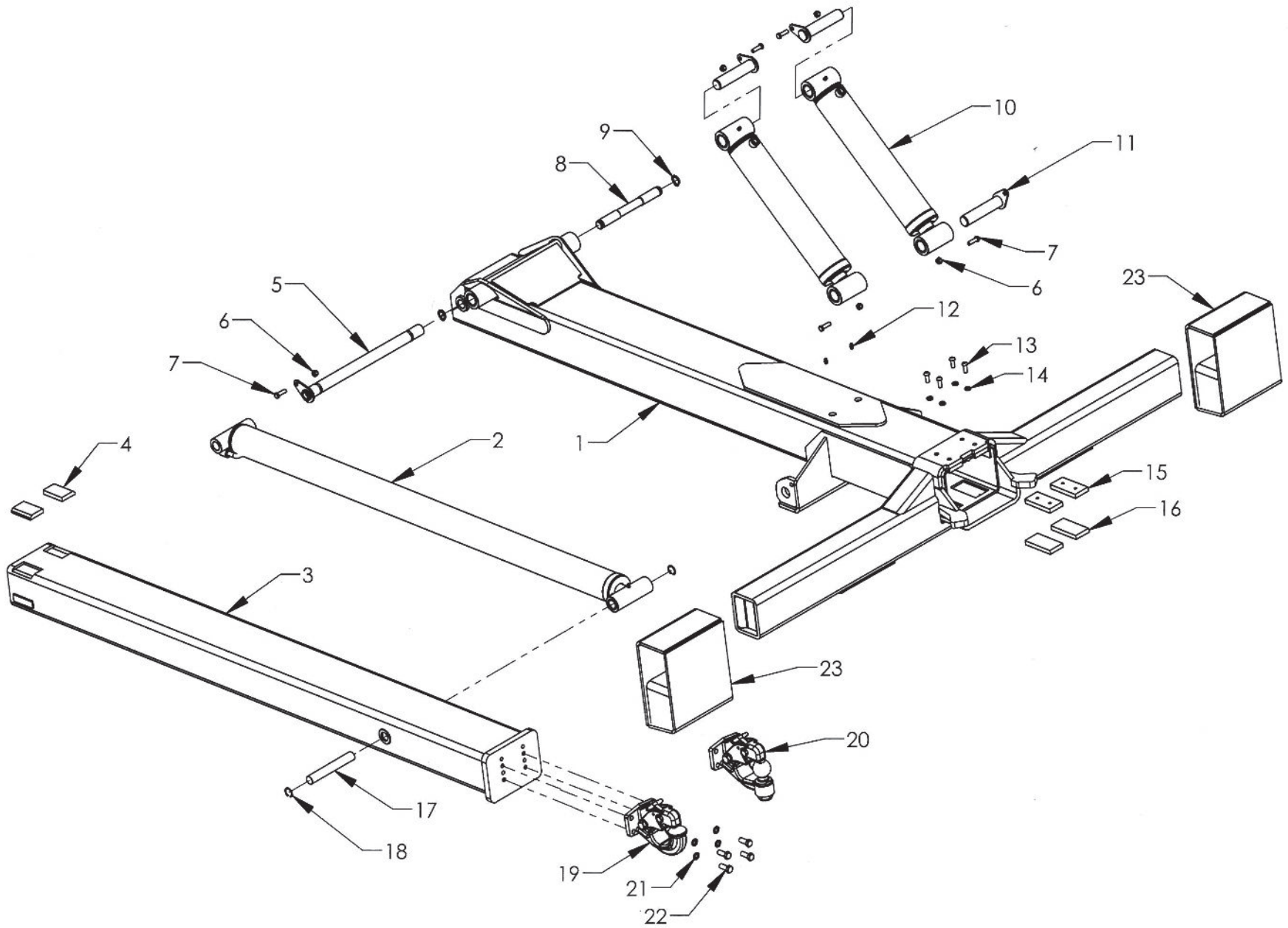


Section V - PARTS

PIVOTING PINTLE - GEN 2 LCG

REF. NO.	NO. REQ'D	PART NUMBER	DESCRIPTION
1	1	10270408	WHEEL LIFT BOOM-CENTURY GEN3 4K
2	1	72A30054	WHEEL LIFT EXTEND CYLINDER 3.0 x 54
3	1	102404-PP	4K INNER BOOM - PIVOTING PINTLE
4	2	65613	WEAR PAD 1/2 x 2 x 3 NSM BEVELED
5	1	0809411U	WHEEL LIFT BOOM HINGE PIN
6	5		NYLON LOCK NUT 3/8-16 UNC
7	5		BOLT, HHCS 3/8-16 UNC x 1-1/4
8	1	729352	PIN-CARRIER WHEEL LIFT EXTEND CYLINDER BASE
9	2	86100E	SNAP RING 1" EXTERNAL
10	2	72A33013	LIFT CYLINDER 3.25 x 1.75 x 13.00
11	4	14710	KEEPER PIN 1.23 x 5.50
12	3	7B130	GREASE FITTING 1/4-28 UNF
13	4		BOLT, BHCS 3/8-16 UNC x 1
14	4		LOCK WASHER 3/8"
15	2	63595H	WEAR PAD NYLATRON NSM 1/2 x 2 x 4 WITH HOLES
16	2	63595	WEAR PAD NYLATRON NSM 1/2 x 2 x 4
17	1	143355	PIVOTING PINTLE HEAD WELDMENT 4K
18	1	A3020H	PINTLE HOOK ATTACHMENT
19	1	A3020	PINTLE BALL ATTACHMENT
20	4		LOCK WASHER 1/2"
21	4		BOLT, HHCS 1/2-13 UNCE x 1-1/4
22	1	72940	CYLINDER PIN
23	2	86100I	SNAP RING 1" INTERNAL
24	1	8615I	SNAP RING 1-1/4" INTERNAL
25	1	143142PP	PIN - PIVOTING PINTLE HEAD 4K
26	2	0752065-54	DOCK STABILIZER EXTENSION STAND (OPTIONAL)

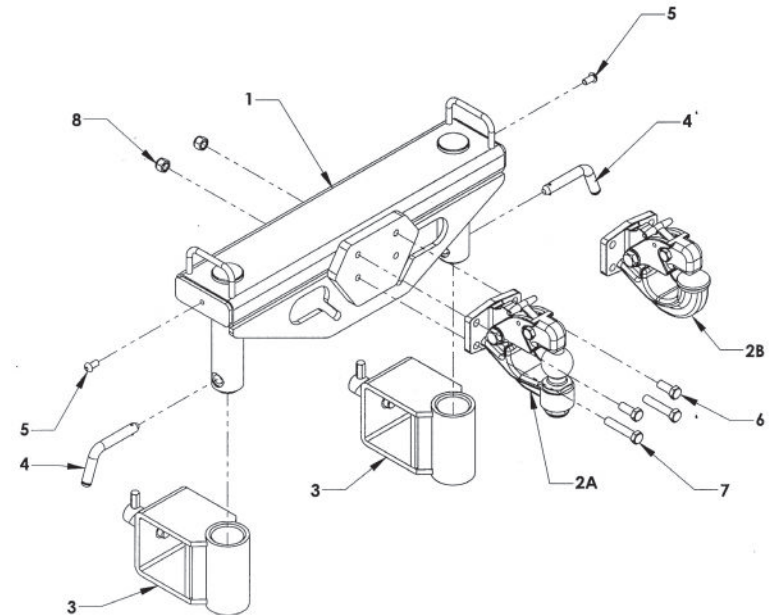
Section V - PARTS
TELESCOPING PINTLE - GEN 2 LCG



Section V - PARTS
TELESCOPING PINTLE - GEN 2 LCG

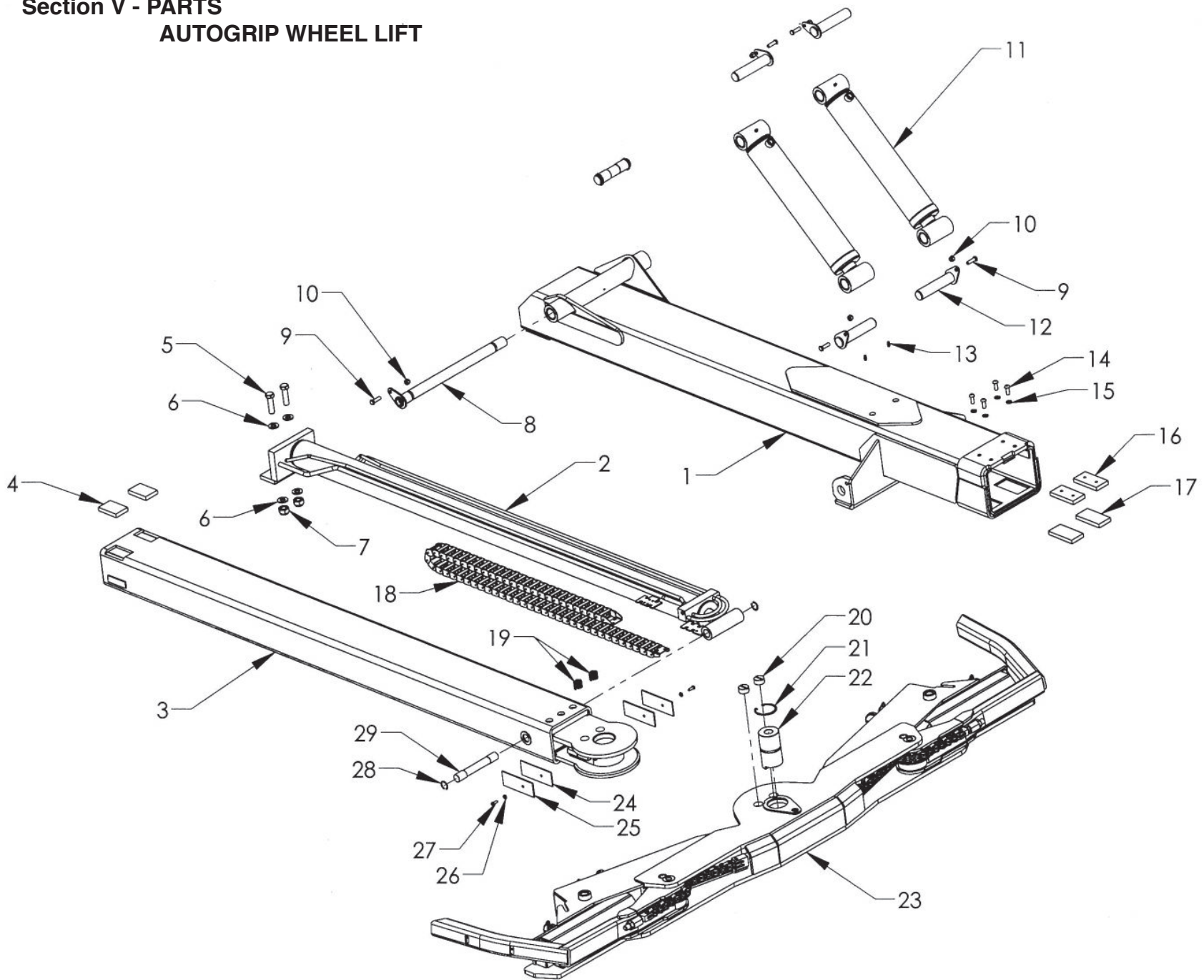
REF. NO.	NO. REQ'D	PART NUMBER	DESCRIPTION
1		10270408	WHEEL LIFT BOOM-CENTURY GEN3 4K
2		72A30054	WHEEL LIFT EXTEND CYLINDER 3.0 x 54
3		102404-P	4K INNER BOOM - TELESCOPING PINTLE
4		65613	WEAR PAD 1/2 x 2 x 3 NSM BEVELED
5		0809411U	WHEEL LIFT BOOM HINGE PIN
6			NYLON LOCK NUT 3/8-16 UNC
7			BOLT, HHCS 3/8-16 UNC x 1-1/4
8		729352	PIN-CARRIER WHEEL LIFT EXTEND CYLINDER BASE
9		86100E	SNAP RING 1" EXTERNAL
10		72A33013	LIFT CYLINDER 3.25 x 1.75 x 13.00
11		14710	KEEPER PIN 1.23 x 5.50
12		7B130	GREASE FITTING 1/4-28 UNF
13			BOLT, BHCS 3/8-16 UNC x 1
14			LOCK WASHER 3/8"
15		63595H	WEAR PAD NYLATRON NSM 1/2 x 2 x 4 WITH HOLES
16		63595	WEAR PAD NYLATRON NSM 1/2 x 2 x 4
17		72940	CYLINDER PIN 0.980 x 6-5/8
18		86100I	SNAP RING 1" INTERNAL
19		A3020H	PINTLE HOOK ATTACHMENT
20		A3020	PINTLE BALL ATTACHMENT
21			LOCK WASHER 1/2"
22			BOLT HHCS 1/2-13 UNC x 1-1/4
23		0809898-54	DOCK STABILIZER EXTENSION STAND (OPTIONAL)

Section V - PARTS
PINTLE HITCH GROUP



REF	PART #	DESCRIPTION	QPU
	66370G	PINTLE HITCH GROUP	1
1	66370W	PINTLE HITCH WELDMENT	1
2A	A3020	TOW BALL PINTLE HITCH	1
2B	A3020H	PINTLE HOOK	1
3	66280	FORK HOLDER - 4 IN. CROSSBAR	2
	65460	FORK HOLDER - 3-1/2 IN. CROSSBAR	2
4	66378	RETAINING PIN	2
5	812A6	3/8 X 5/8 BUTTONHEAD BOLT	4
	5A220	LANYARD	2
6	81428	BOLT 1/2-13 X 1.25 GRADE 8 SECURE WITH LOCTITE	2
7	81449	BOLT 1/2-13 x 2.5 GRADE 8	2
8	83312	1/2-13 NUT NYLOK	2

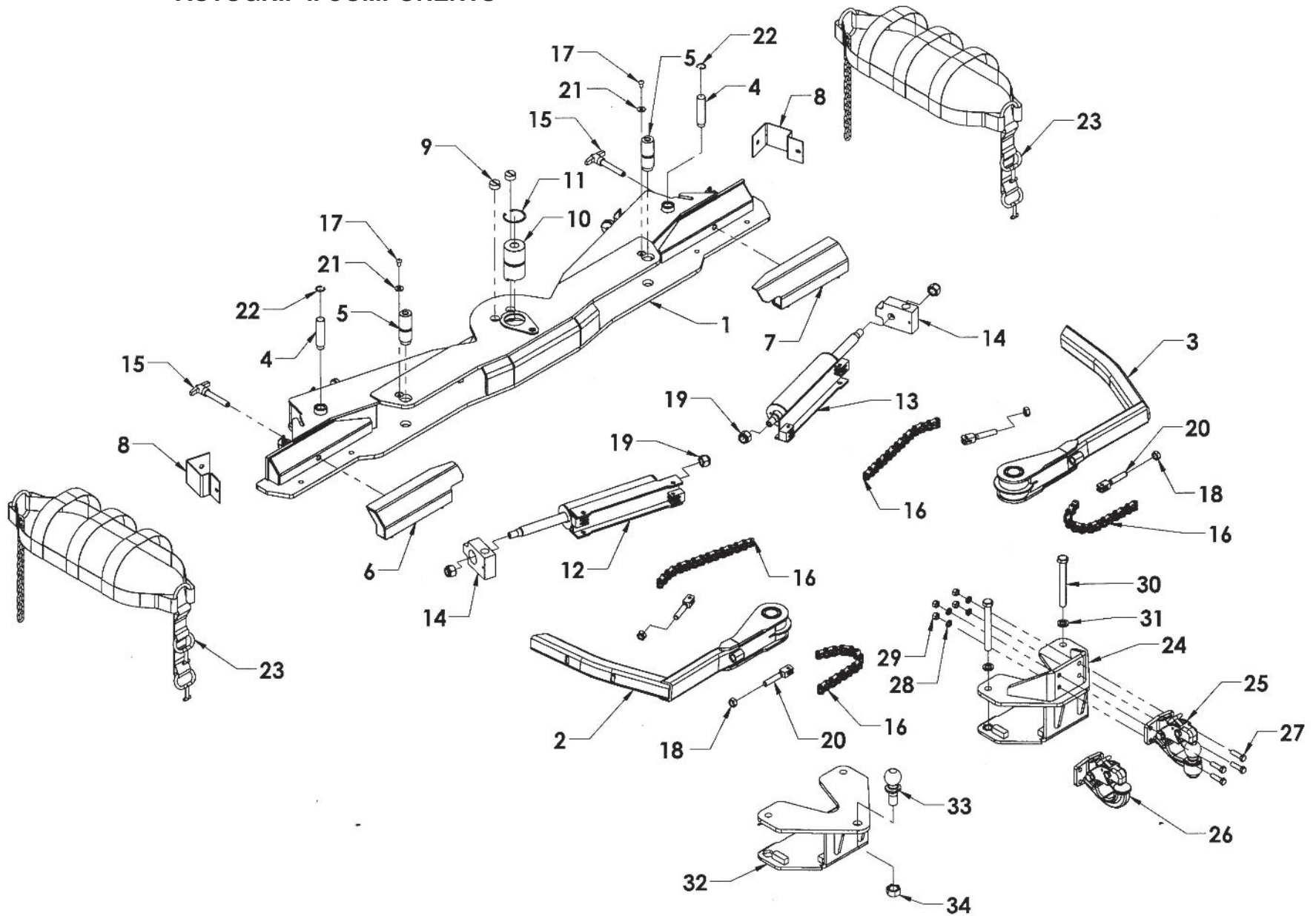
Section V - PARTS
AUTOGRIP WHEEL LIFT



Section V - PARTS
AUTOGRIP WHEEL LIFT

REF NO.	NO REQ'D	PART NUMBER	DESCRIPTION
1	1	10270410	AUTOGRIP OUTER BOOM TUBE - GEN2 LCG 4K
2	1	72136	AUTOGRIP EXTEND CYLINDER - CARRIER
3	1	102522	AUTOGRIP INNER TUBE GEN2
4	2	65612	WEAR PAD 1/2 x 2 x 3 NSM BEVELED
5	2		BOLT HHCS 5/8-11 UNC x 2-1/4
6	4		FLAT WASHER 5/8
7	2		NYLON LOCK NUT 5/8-11 UNC
8	1	0809411U	WHEEL LIFT BOOM HINGE PIN
9	5		BOLT, HHCS 3/8-16 UNC x 1-1/4
10	5		NYLON LOCK NUT 3/8-16 UNC
11	2	72A33013	LIFT CYLINDER 3.25 x 1.75 x 13.00
12	4	14710	KEEPER PIN 1.23 x 5.50
13	2		GREASE FITTING 1/4-28 UNF
14	4		BOLT, BHCS 3/8-16 UNC x 1
15	4		LOCK WASHER 3/8"
16	2	63595H	WEAR PAD NYLATRON NSM 1/2 x 2 x 4 WITH HOLES
17	2	63595	WEAR PAD NYLATRON NSM 1/2 x 2 x 4
18	1	69757	AUTOGRIP HOSE TRACK 58 LINKS
19	2	69320	AUTOGRIP DETENT SPRING GEN2
20	2	643272	AUTOGRIP DETENT SCREW GEN2
21	1	86250I	SNAP RING 2-1/2" INTERNAL
22	1	644402	AUTOGRIP CROSSBAR PIVOT PIN GEN2
23	1	644002CG	AUTOGRIP CROSSBAR GEN2
24	2	64304R	RUBBER GASKET FOR 64304C
25	2	64304C	HOSE CLAMP FOR SIDE OF AUTOGRIP II YOKE
26	2		LOCK WASHER 1/4"
27	2		BOLT, BUTTON HEAD 1/4-20 x 3/4
28	2	86100I	SNAP RING 1" INTERNAL
29	1	72940	CYLINDER PIN 0.980 x 6-5/8

Section V - PARTS
AUTOGRIP II COMPONENTS



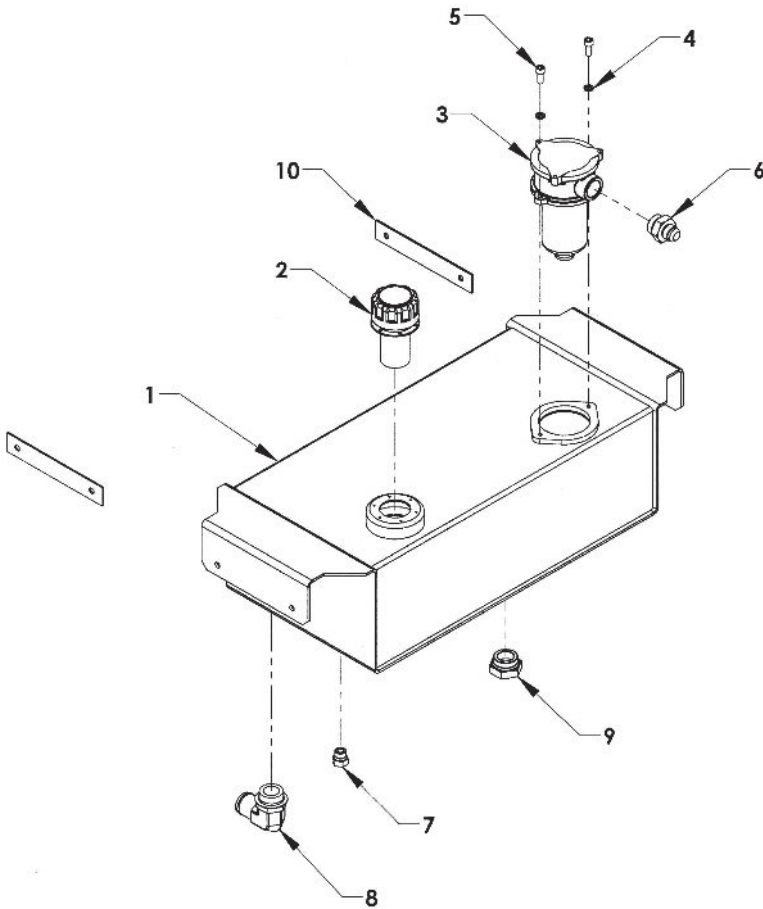
Section V - PARTS

AUTOGRIP II COMPONENTS

REF NO.	NO REQ'D	PART NUMBER	DESCRIPTION
1	1	644002	CROSSBAR WELDMENT
2	1	644352	WHEEL RETAINER - LEFT
3	1	644352	WHEEL RETAINER - RIGHT
4	2	644432	WHEEL RETAINER CYLINDER PIN
5	2	644452	ARM PIVOT PIN
6	1	697402L	WHEEL SPACER - LEFT
7	1	697402R	WHEEL SPACER - RIGHT
8	2	644292	HOSE GUARD
9	2	64327	SCREW-PLUG CROSSBAR DETENT
10	1	644402	CROSSBAR PIN
11	1	862501	SNAP RING 2.500 INCH INTERNAL
12	2	720152L	WHEEL RETAINER CYLINDER - LEFT
13	2	720152R	WHEEL RETAINER CYLINDER - RIGHT
14	2	727162	L-ARM CYLINDER END BLOCK
15	2	84291	T-PIN 5/8 x 3
16	4	87440	AUTOGRIP ARM CHAIN
	4		5/16 x 1-1/4 SHOULDER SHCS 1/4-20 UNC
	4		1/4-20 UNC NYLON LOCK NUT
17	2		3/8 ALLEN BOLT
18	4		5/8 NYLON LOCK NUT
19	2	644432	3/4 NYLON LOCK NUT
20	4	64441	CHAIN CLEVS
	4		5/16 x 1 SHOULDER SHCS 1/4-20 UNC
	4		1/4-20 UNC NYLON LOCK NUT
21	2		5/16 FLAT WASHER
22	2	861001	SNAP-RING 1.000 INCH INTERNAL
23	2	65286	BASKET TIRE STRAP - AUTO
	2	66287	BASKET TIRE STRAP - TRUCK
24	1	694520	AUTOGRIP PINTLE ADAPTOR (OPTIONAL)
25	1	A3020	PINTLE BALL ATTACHMENT (OPTIONAL)
26	1	A3020H	PINTLE HOOK ATTACHMENT (OPTIONAL)
27	4		BOLT, HHCS 1/2-13 UNC x 1-1/34
28	4		LOCK WASHER, 1/2
29	4		HEX NUT 1/2-13 UNC
30	2		BOLT, HHCS 3/14-10 UNC x 6-1/2
31	2		LOCK WASHER 3/4
32	1	694510	AUTOGRIP TOWBALL ADAPTOR (OPTIONAL)
33	1		TOWBALL
34	1	83711	NUT - 1" NF RAMCO LOCK

Section V - PARTS

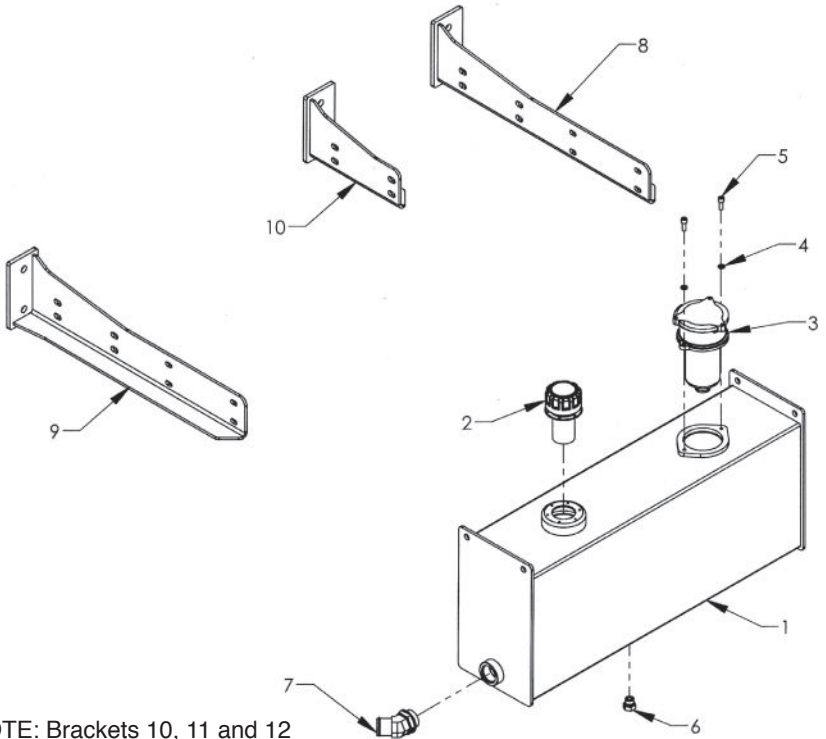
INBOARD OIL RESERVOIR GROUP



REF. NO.	NO. REQ'D	PART NUMBER	DESCRIPTION
1	1	763100	INBOARD OIL RESERVOIR WELDMENT
2	1	76213	FILLER BREATHER CAP
3	1	76270	FILTER ASSEMBLY
4	1	76271	REPLACEMENT FILTER ELEMENT
5	2	82220	LOCK WASHER 3/8 ZP
6	1	812A8	BHCS 3/8-16 UNC x 7/8 SS
7	1	ADPTR202702-16 x 12	ADAPTOR 202702-16 x 12
8	1	ADPTR900598-8	ADAPTOR 900598-8 (DRAIN PLUG)
9	1	77C92	20 x 24 SUCTION HOSE FITTING 90°
10	1	ADPTR900598-20	ADAPTOR 90059-20 (DRAIN PLUG)
	2	763106	FRAME WIDTH SHIM

Section V - PARTS

12 GAL. OUTBOARD OIL TANK GROUP

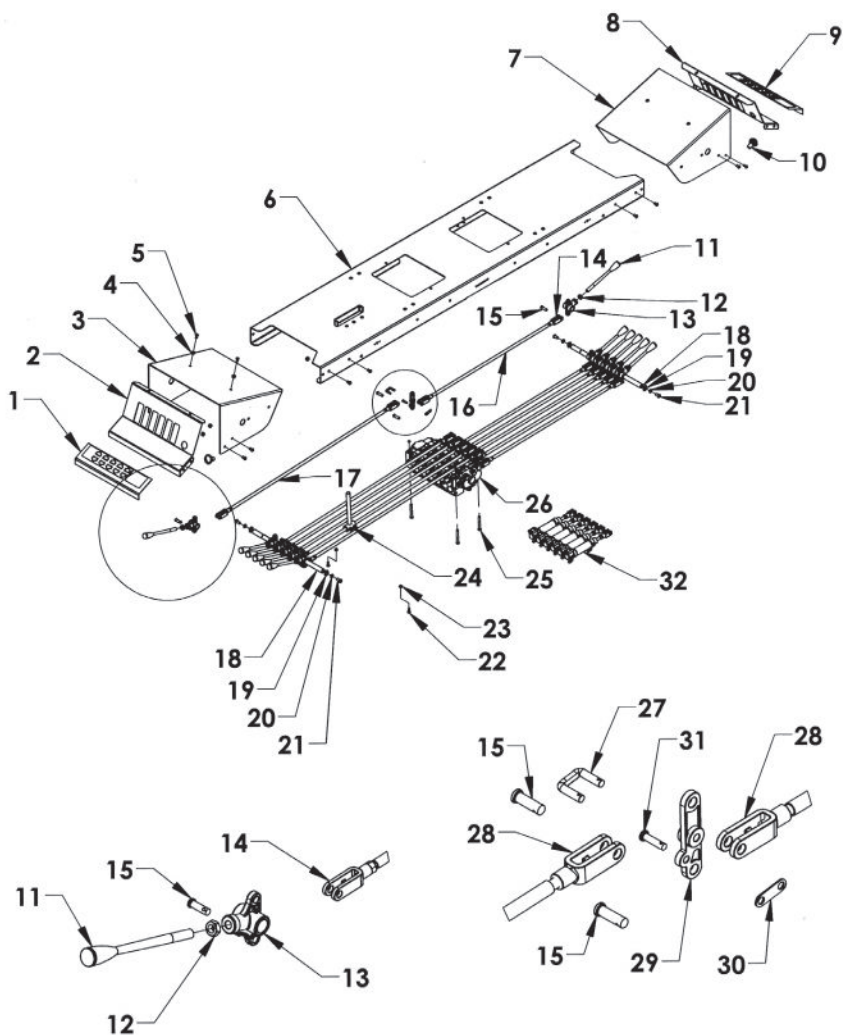


NOTE: Brackets 10, 11 and 12 are shown offset down for LCG carriers 12 and 16. They can be reversed to be offset up for conventional carriers.

REF	PART #	DESCRIPTION	QPU
1	762110	12 GAL. OUTBOARD OIL TANK WELDMENT	1
2	76213G	FILLER BREATHER CAP ASSEMBLY	1
3	76270	IN-TANK FILTER ASSEMBLY #16 SAE PORT	1
4	LWSHR-0312	LOCK WASHER 5/16 ZINC PLATE	2
5	BOLT-CS-0313X0875	BHCS 5/16-18 UNC x 7/8 SS	2
6	0403113	#8 O-RING PLUG-ADAPTOR 900898-8	1
7	ADPTR2061-20x24H	ADAPTOR 2061-20 x 24H (24 GPM)	1
8	37855L	TOOL BOX AND OIL TANK MTG. BRACKET - L	1
9	37855R	TOOL BOX AND OIL TANK MTG. BRACKET - R	1
10	37858L	OIL TANK MOUNTING BRACKET - LEFT	1

Section V - PARTS

6-SPOOL CONTROL STATION



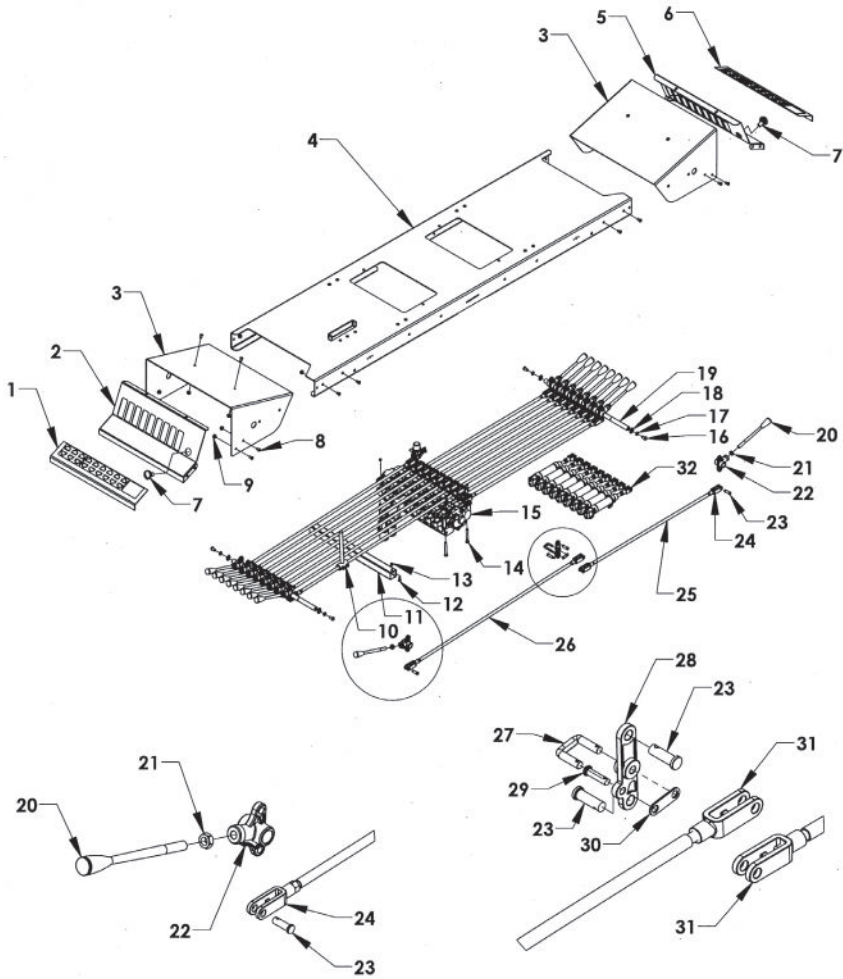
Section V - PARTS

6-SPOOL CONTROL STATION

REF. NO.	NO. REQ'D	PART NUMBER	DESCRIPTION
1	1	18212L/18214L	5 SPOOL/6 SPOOL CONTROL PLACARD-LEFT
2	1	18126L	CONTROL PANEL - LEFT
3	1	181273L	CONTROL HOOD - LEFT
4	23		NYLON LOCK NUT 5/16-18 UNC
5	16		BOLT, BUTTON HEAD 5/16-18 UNC x 5/8
6	1	181286W	CONTROL BOX ARM WELDMENT - 79.5 IN.
7	1	181273R	CONTROL HOOD - RIGHT
8		18126R	CONTROL PANEL - RIGHT
9	1	18212R/18214R	5 SPOOL/6 SPOOL CONTROL PLACARD - RIGHT
10	1	0320031	CONTROL LIGHT - 2 WIRE
11	2	0320048-GR	GREEN CONTROL HANDLE
	4	0320048-BL	BLUE CONTROL HANDLE
	2	0320048-RD	RED CONTROL HANDLE
	4	0320048-GY	GREY CONTROL HANDLE
12	12		JAM NUT 1/2-13 UNC ZINC PLATE
13	12	7A1155	CONTROL HANDLE PIVOT BASE
14	12	84530	CLEVIS - RIGHT HAND THREAD
15	24	84620	CLEVIS PIN, 3/8 x 1-1/8
16	6	7A528W	CONTROL ROD 28-1/2
17	6	7A538W	CONTROL ROD 37-3/4
18	2	7A5753-17	CONTROL HANDLE CROSS ROD 3/4 x 17
19	4	86075E	SNAP RING 3/4 EXTERNAL
20	4		LOCK WASHER 3/8
21	4		BOLT, BUTTON HEAD 3/8-16 UNC x 3/4
22	4		BOLT, HHCS 1/4-20 UNC x 3/4
23	4		NYLON LOCK NUT 1/4-20 UNC
24	1	0809904	ANTI-TILT CONTROL ROD WELDMENT
25	3		BOLT, HHCS 5/16 -18 UNC x 2-3/4
26	1	74116	VALVE BODY GRESSEN 6 SPOOL
27	6	7A010LINK	CLEVIS LINK
28	12	84540	CLEVIS - LEFT HAND THREAD
29	6	7A121	BELL CRANK
30	6	7A010LINKPLATE	CLEVIS LINK PLATE
31	6	84610	CLEVIS PIN, 1/4 x 15/16
32	6	PC32850	AIR CYLINDER - 2 IN. STROKE

Section V - PARTS

9-SPOOL CONTROL STATION



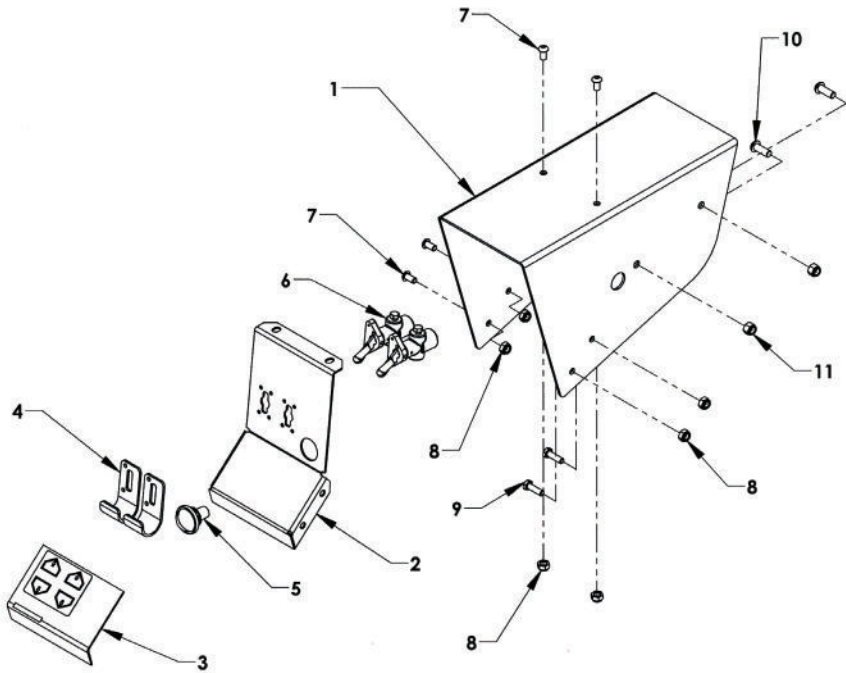
Section V - PARTS

9-SPOOL CONTROL STATION

REF. NO.	NO. REQ'D	PART NUMBER	DESCRIPTION
1	1	18219L	CONTROL PLACARD - LEFT
2	1	18142L	CONTROL PANEL - LEFT
3	2	18141	CONTROL HOOD
4	1	181289W	CONTROL BOX ARM WELDMENT - 79.5 IN.
5	1	18142R	CONTROL PANEL - RIGHT
6	1	18219R	CONTROL PLACARD - RIGHT
7	2	0320031	CONTROL LIGHT 2 WIRE
8	20		BOLT, BUTTON HEAD 5/16-18 UNC x 5/8
9	23		NYLON LOCK NUT 5/16-18 UNC
10	1	0809904	ANTI-TILT CONTROL ROD WELDMENT
11	1	18336	CONTROL STATION WIRE TUBE
12	4		BOLT, HHCS 1/4-20 UNC x 3/4
13	4		NYLON LOCK NUT 1/4-20 UNC
14	3		BOLT, HHCS 5/16 -18 UNC x 2-3/4
15	1	74119	VALVE BODY GRESEN 9 SPOOL
16	4		BOLT, BUTTON HEAD 3/8-16 UNC x 3/4
17	4		LOCK WASHER - 3/8
18	4	86075E	SNAP RING 3/4 EXTERNAL
19	2	7A5753-20	CROSS ROD 3/4 X 20-3/4
20	6	0320048-BL	BLUE CONTROL HANDLE
	6	0320048-RD	RED CONTROL HANDLE
	2	0320048-GR	GREEN CONTROL HANDLE
	4	0320048-GY	GRAY CONTROL HANDLE
21	18		JAM NUT 1/2-13 UNC ZINC PLATED
22	18	7A1155	CONTROL HANDLE PIVOT BASE
23	36	84620	CLEVIS PIN - 3/8 x 1-1/8
24	18	84530	CLEVIS - RIGHT HAND THREAD
25	9	7A528W	CONTROL ROD 28-1/2
26	9	7A538W	CONTROL ROD 37-3/4
27	9	7A010LINK	CLEVIS LINK
28	9	7A121	BELL CRANK
29	9	84610	CLEVIS PIN, 1/4 x 15/16
30	9	7A010LINKPLATE	CLEVIS LINK PLATE
31	18	84540	CLEVIS - LEFT HAND THREAD
32	9	PC32B50	AIR CYLINDER - 2 IN. STROKE

Section V - PARTS

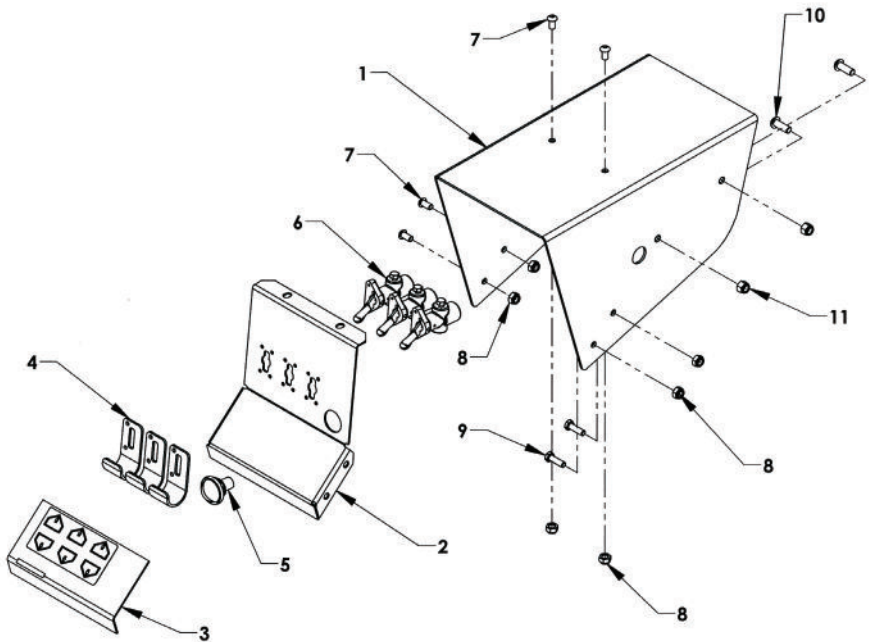
2 AIR VALVE CONTROL STATION



REF. NO.	NO. REQ'D	PART NUMBER	DESCRIPTION
1	1	18148	2-TOGGLE AIR VALVE CONTROL HOOD
2	1	18149L	2-TOGGLE AIR VALVE CONTROL PANEL - LEFT
	1	18148R	2-TOGGLE AIR VALVE CONTROL PANEL - RIGHT
3	1	18221L	2-TOGGLE AIR VALVE CONTROL PLACARD - LEFT
	1	18221R	2-TOGGLE AIR VALVE CONTROL PLACARD - RIGHT
4	2	18145	TOGGLE AIR VALVE GUARD
5	1	97300	CONTROL LIGHT
6	2	71716	TOGGLE AIR VALVE
7	4	-	BOLT BHCS 5/16-18 UNC x 5/8
8	6	-	NYLON LOCK NUT 5/16-18 UNC
9	2	-	BOLT HHCS 5/16-18 UNC x 1
10	2	-	BOLT BHCS 3/8-16 UNC x 1
11	2	-	NYLON LOCK NUT 3/8-16 UNC

Section V - PARTS

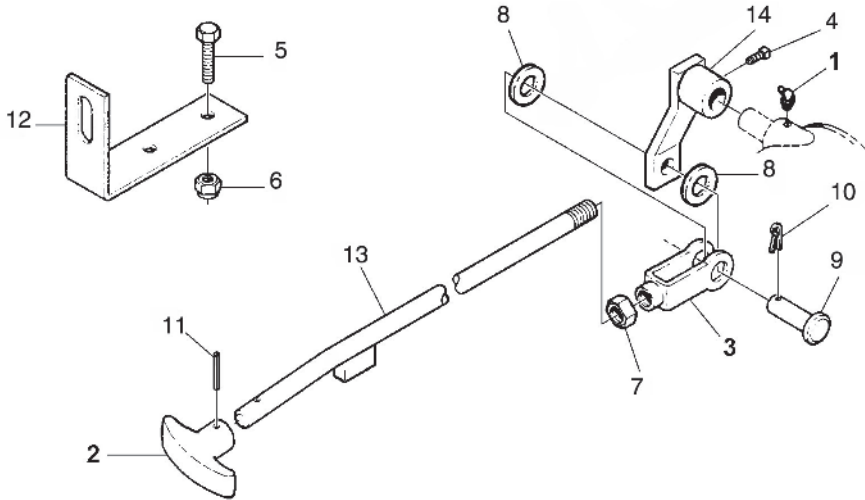
3 AIR VALVE CONTROL STATION



REF. NO.	NO. REQ'D	PART NUMBER	DESCRIPTION
1	1	18146	3-TOGGLE AIR VALVE CONTROL HOOD
2	1	18147L	3-TOGGLE AIR VALVE CONTROL PANEL - LEFT
	1	18147R	3-TOGGLE AIR VALVE CONTROL PANEL - RIGHT
3	1	18211L	AIR SHIFT WINCH CLUTCH CONTROL PLACARD - L
	1	18211R	AIR SHIFT WINCH CLUTCH CONTROL PLACARD - R
4	3	18145	TOGGLE AIR VALVE GUARD
5	1	97300	CONTROL LIGHT
6	3	71716	TOGGLE AIR VALVE
7	4	-	BOLT BHCS 5/16-18 UNC x 5/8
8	6	-	NYLON LOCK NUT 5/16-18 UNC
9	2	-	BOLT HHCS 5/16-18 UNC x 1
10	2	-	BOLT BHCS 3/8-16 UNC x 1
11	2	-	NYLON LOCK NUT 3/8-16 UNC

Section V - PARTS

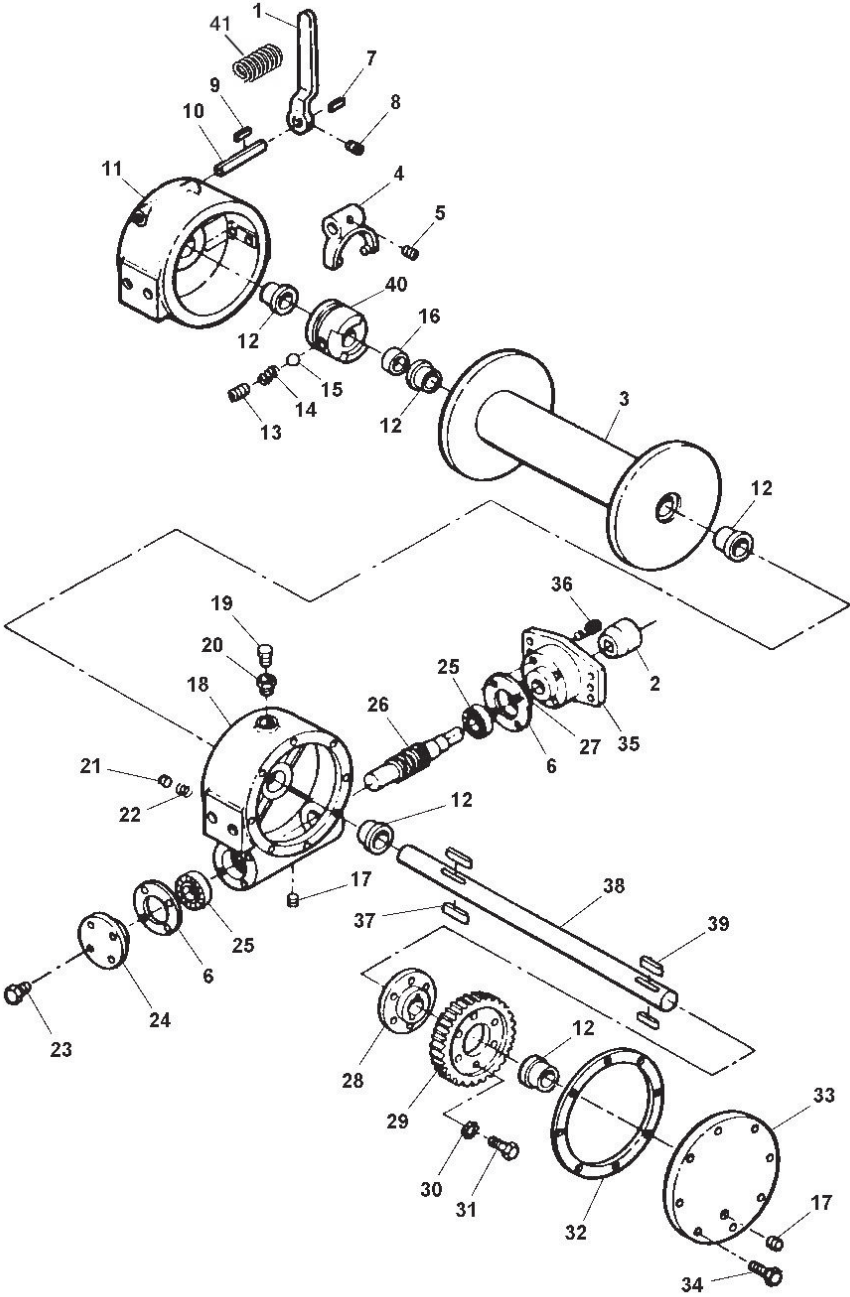
WINCH CLUTCH CONTROL



REF. NO.	NO. REQ'D	PART NUMBER	DESCRIPTION
1	1	0301397	GREASE FITTING, 90°
2	1	0301532	"T" HANDLE
3	1	0301588	ADJUSTING YOKE
4	1	0400116	SCREW, 5/16"-18 x 1/2" SQ HD SET
5	2	0400126	SCREW, 3/8"-16 x 1" HEX HD CAP
6	2	0400392	NUT, 3/8"-16 NYLOK
7	1	0400410	NUT, 1/2"-13 JAM
8	4	0400492	WASHER, 1/2" FLAT
9	1	0400537	PIN, 1/2" x 1-1/2" CLEVIS
10	1	0400546	PIN, 1/8" x 1-1/4" COTTER
11	2	0400560	PIN, 5/32" x 1" ROLL
12	1	0710918	MOUNTING ANGLE
13	1	0805170	CONTROL ROD
14	1	0805151	BELL CRANK

Section V - PARTS

RAMSEY 234 HYDRAULIC WINCH



Section V - PARTS

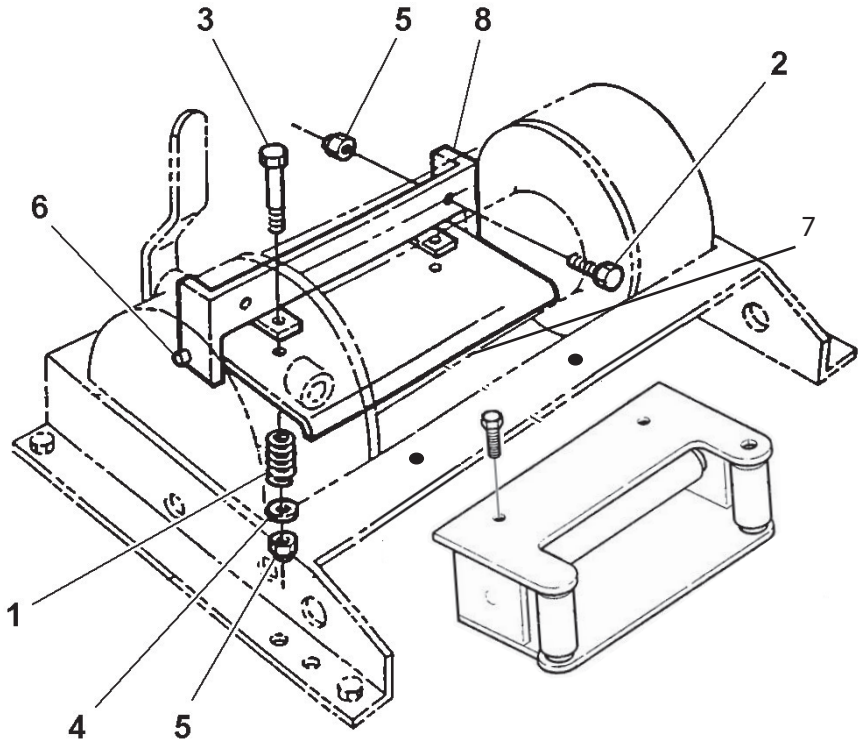
RAMSEY 234 HYDRAULIC WINCH

REF. NO.	NO. REQ'D	PART NUMBER	DESCRIPTION
1	1	0300261	LEVER
2	1	0300290	COUPLING
3	1	0300381	DRUM
4	1	0300398	YOKE
5	1	0300399	SCREW
6	2	0300447	GASKET
7	1	0300448	KEY
8	1	0300449	SCREW
9	1	0300450	KEY
10	1	0300451	SHAFT
11	1	0300452	CLUTCH HOUSING
12	5	0300453	BUSHING
13	1	0300454	SCREW
14	1	0300455	SPRING
15	1	0300456	BALL
16	1	0300458	SPACER
17	2	0300459	PLUG
18	1	0300460	HOUSING
19	1	0300461	PLUG
20	1	0300462	REDUCER
21	1	0300463	DRAG BRAKE
22	1	0300464	SPRING
23	16	0300465	SCREW
24	1	0300466	CAP
25	2	0300467	BEARING
26	1	0300468	WORM
27	1	0300471	SEAL
28	1	0300472	HUB
29	1	0300473	GEAR
30	6	0300474	WASHER
31	6	0300475	SCREW
32	1	0300476	GASKET
33	1	0600477	COVER
34	4	0300569	SCREW
35	1	0300694	CAP ADAPTER
36	1	0300695	SCREW
37	2	--	KEY
38	1	--	SHAFT
39	2	--	KEY
40	1	--	CLUTCH
41	1	0308608	TORSION SPRING
*	1	0308698	4 TON WORM WINCH ASSEMBLY

* When ordering specify winch serial number.

Section V - PARTS

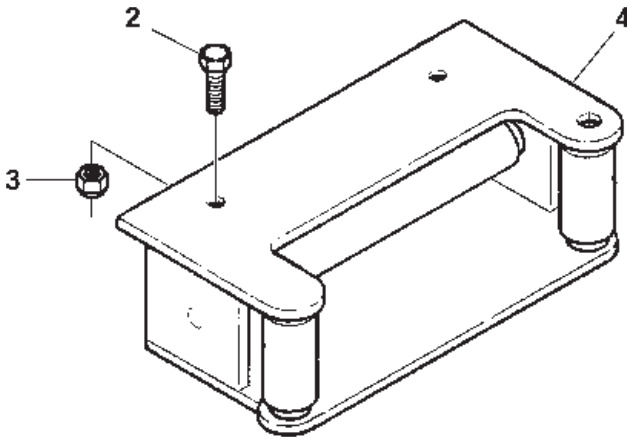
CABLE TENSIONER ASSEMBLY (STANDARD 4-TON WINCH)



REF. NO.	NO. REQ'D	PART NUMBER	DESCRIPTION
1	2	0301729	TENSIONING SPRING
2	2	0400126	SCREW, 3/8"-16 x 1" HEX HD CAP
3	2	0400130	SCREW, 3/8"-16 x 3-1/2" HEX HD CAP
4	2	0400480	WASHER, 3/8" FLAT
5	4	0400392	NUT, 3/8"-16 HEX NYLOK
6	2	0400554	ROLL PIN, 3/8" x 1"
7	1	0800908	TENSIONING PLATE
8	1	0800909	CABLE TENSIONER BRACKET
	1	124001329	CABLE TENSIONER ASSEMBLY

Section V - PARTS

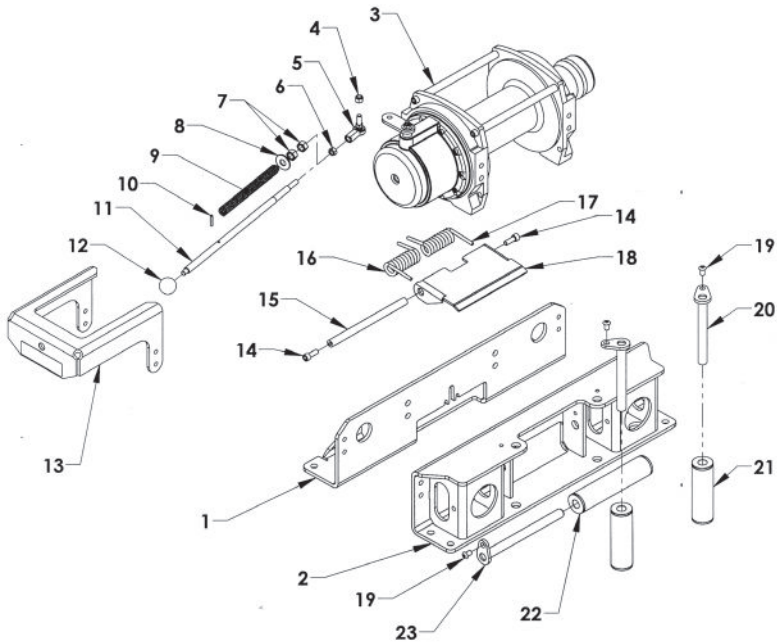
CABLE ROLLER ASSEMBLY



REF. NO.	NO. REQ'D	PART NUMBER	DESCRIPTION
1	--	0900892	CABLE ROLLER ASSEMBLY
2	2	0400177	SCREW, 1/2"-13 x 1-1/4" HEX HD
3	2	0400408	NUT, 1/2"-13 NYLOK
4	1	0805037	CABLE ROLLER GUIDE WELDMENT

Section VI - PARTS

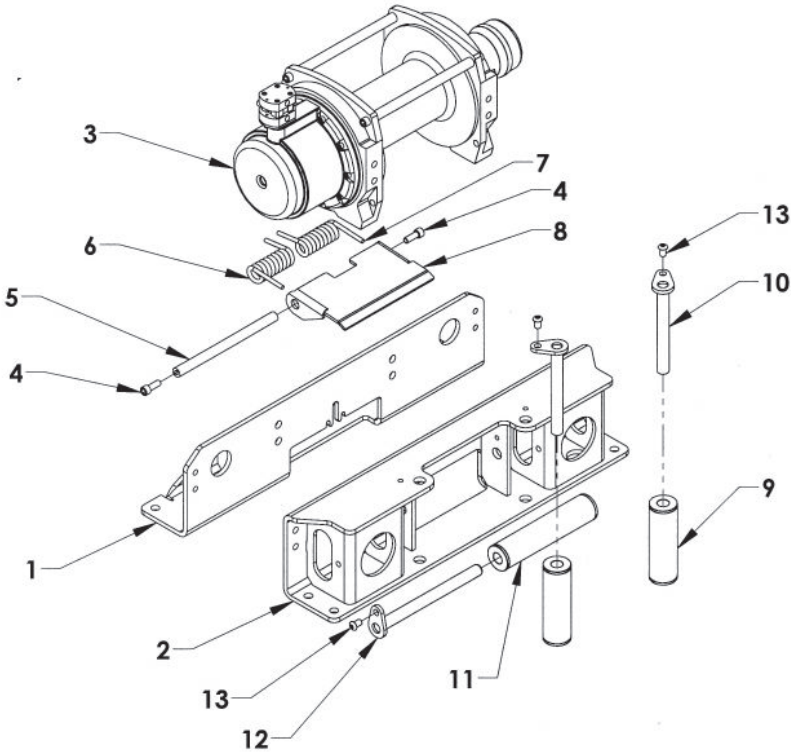
WARN WINCH - MANUAL FREE SPOOL



REF. NO.	NO. REQ'D	PART NUMBER	DESCRIPTION
1	1	0809644	MTG FRAME WELDMENT - FRONT
2	1	0809639	MTG FRAME WLDMNT - ROLLER GUIDE REAR
3	1	0308936-0908AM	WINCH 9K, 8 IN. DRUM MANUAL SHIFT
	1	0308936-1208AM	WINCH 12K, 8 IN. DRUM MANUAL SHIFT
4	1		NYLON LOCK NUT 3/8-16 UNC
5	1	718732	ROD END BEARING
6	1		HEX NUT 3/8-16 UNC
7	2		HEX NUT 1/2-13 UNC
8	1		FLAT WASHER 1/2
9	1	71875	WINCH SPRING
10	1		SPLIT PIN 3/16 x 1
11	1	71873	WINCH CLUTCH ROD
12	1	718731	WINCH CLUTCH ROD KNOB
13	1	0751267	WINCH - MANUAL FREE SPOOL BRACKET
14	2		BOLT, SHCS 3/8-16 UNC x 1
15	1	0751337	TENSION PLATE PIVOT ROD
16	1	71W73827	TENSION SPRING
17	1	71W73826	TENSION SPRING
18	1	0751268	TENSION PLATE
19	3		BOLT, BHCS 3/8-16 UNC x 5/8
20	2	0809641	ROLLER GUIDE KEEPER PIN
21	2	0809640	ROLLER GUIDE BUSHING 1.75 x 7.875
22	1	A9R281	ROLLER GUIDE BUSHING 1.75 x 5.625
23	1	A902095	ROLLER GUIDE KEEPER PIN

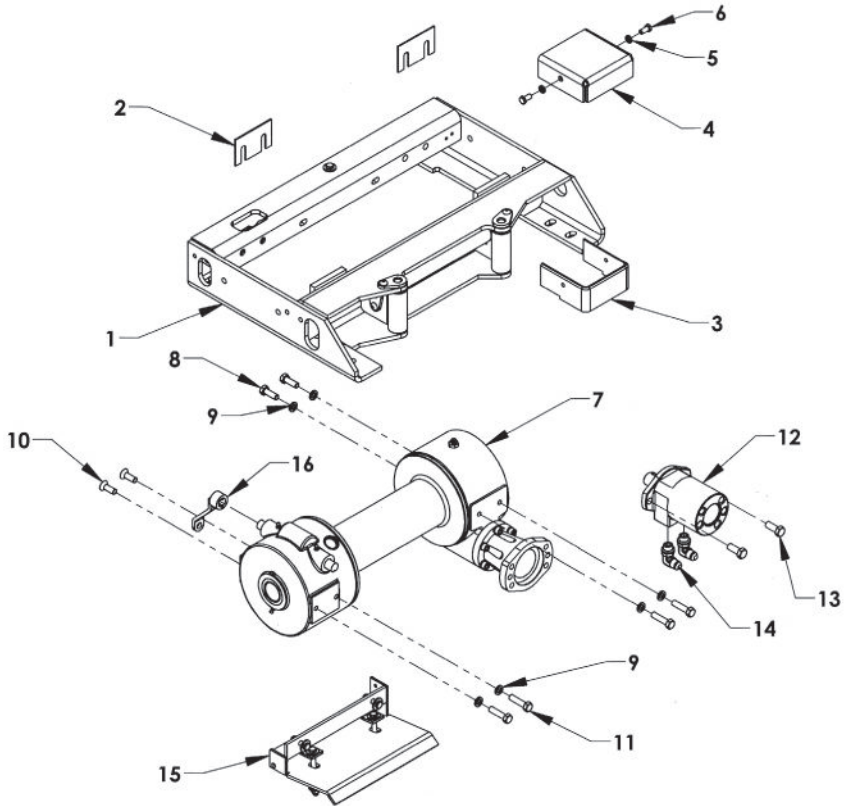
Section V - PARTS

WARN WINCH - AIR FREE SPOOL



REF. NO.	NO. REQ'D	PART NUMBER	DESCRIPTION
1	1	0809644	MTG FRAME WELDMENT - FRONT
2	1	0809639	MTG FRAME WLDMNT - ROLLER GUIDE REAR
3	1	0308936-0908AA	WARN WINCH, 9K, 8 IN. DRUM, AIR SHIFT
	1	0308936-1208AA	WARN WINCH - 12K, 8 IN. DRUM, AIR SHIFT
4	1	-	BOLT, SHCS 3/8-16 UNC x 1
5	1	0751337	WARN TENSION PLATE PIVOT ROD
6	1	71W73827	WARN TENSION SPRING
7	2	71W73826	WARN TENSION SPRING
8	1	0751268	WARN TENSION PLATE
9	1	0809640	ROLLER GUIDE BUSHING 1.75 x 7.875
10	1	0809641	ROLLER GUIDE KEEPER PIN
11	1	A9R281	ROLLER GUIDE BUSHING 1.75 x 5.625
12	1	A902095	ROLLER GUIDE KEEPER PIN
13	1	-	BOLT, BHCS 3/8-16 UNC x 5/8

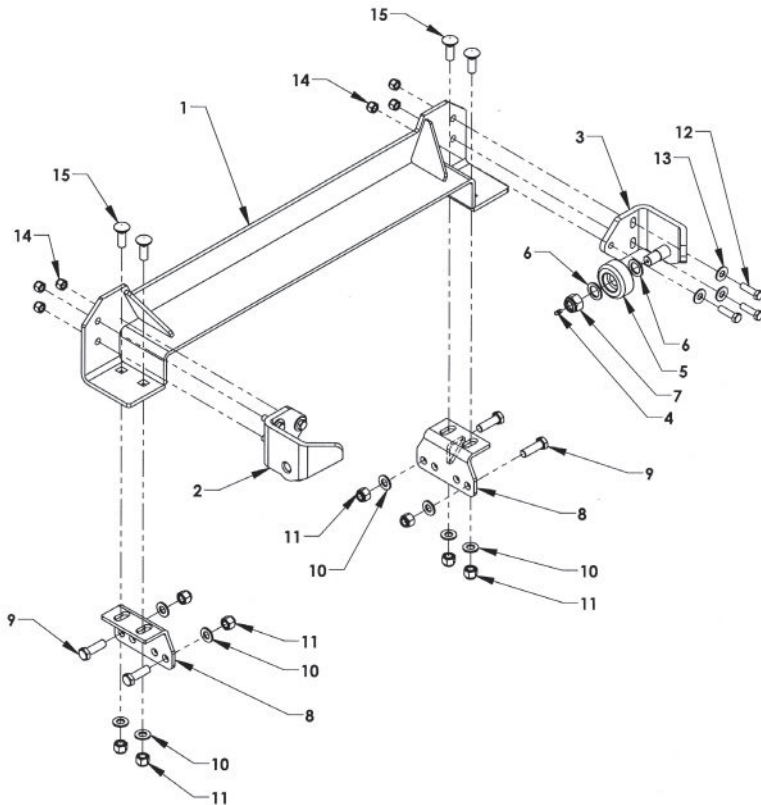
Section V - PARTS RAMSEY H400 WINCH GROUP



REF. NO.	NO. REQ'D	PART NUMBER	DESCRIPTION
1	1	0940349	RAMSEY H400 MOUNTING FRAME
2	2	0701272-H400	SHIM-
3	1	0752151	RAMSEY MOTOR GUARD-VERTICAL CHANNEL
4	1	0752152	MOTOR GUARD COVER PLATE
5	2	-	WASHER 3/8 LOCK
6	2	-	BOLT - HEX 3/8-16 x 3/4
7	1	0302149	RAMSEY H400 WINCH
8	2	-	BOLT- HEX 7/16-14 UNC x 1-1/4
9	10	-	WASHER 7/16 LOCK
10	2	-	BOLT - FSCS 7/16-14 UNC x 3/4
11	4	-	BOLT - HEX 7/16-14 UNC x 1-3/4
12	1	0302148	RAMSEY H400 WINCH MOTOR
13	2	-	BOLT - HEX 1/2-13 UNC x 1-1/4
14	2	ADPTR2062-08X08	
15	1	0901196	CABLE TENSIONER ASSEMBLY
16	1	0809705	BELL CRANK WELDMENT - RAMSEY H400

Section V - PARTS

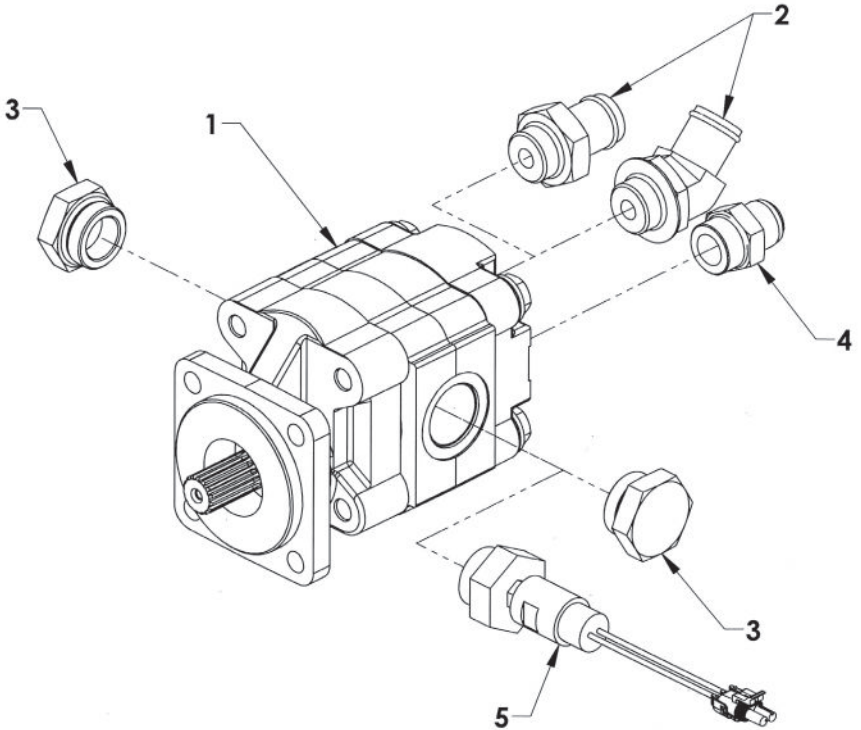
BODY LOCK ASSEMBLY - 364220K



REF. NO.	NO. REQ'D	PART NUMBER	DESCRIPTION
1	1	364220	LCG BODY LOCK WELDMENT-SETBACK CAPABLE
2	1	36315L	BODY LOCK HOLD-DOWN - LEFT
3	1	36315R	BODY LOCK HOLD-DOWN - RIGHT
4	2	7B130	GREASE FITTING 1/4-28
5	2	36310	ROLLER WHEEL
6	4		FLAT WASHER 1
7	2		NYLON LOCK NUT, 7/8-14 UNF
8	2	0809183	MOUNTING BRACKET
9	4		BOLT, 5/8-11 HHCS UNC x 2 GRADE 5
10	8		FLAT WASHER 5/8
11	8		NYLON LOCK NUT, 5/8-11 UNC
12	6		BOLT, HHCS 1/2-20 UNF x 1-1/4
13	6		FLAT WASHER, 1/2 IN.
14	6		NYLON LOCK NUT, 1/2-20 UNF
15	4		CARRIAGE BOLT 5/8-11 x 1-3/4

Section V - PARTS

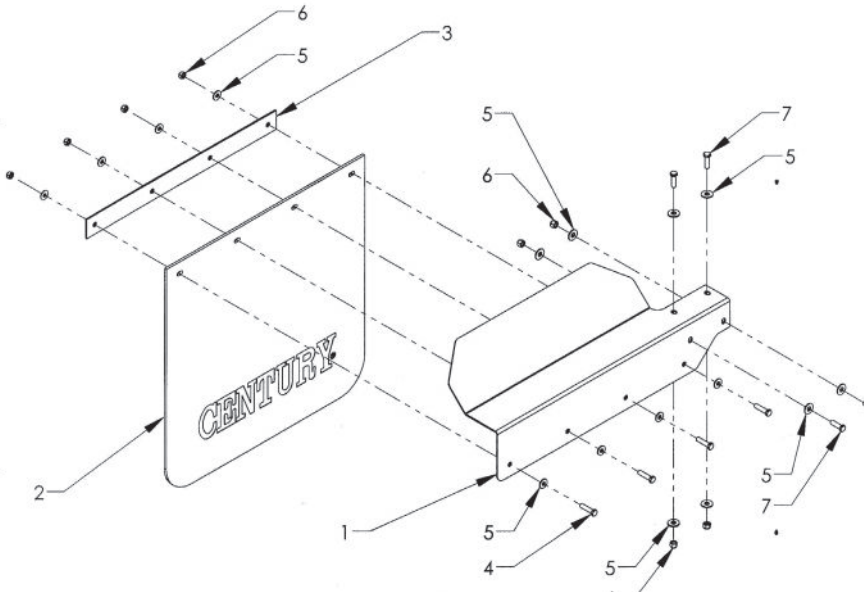
DIRECT MOUNT PUMP - 18 GPM



REF	PART #	DESCRIPTION	QPU
1	0320144	18 GPM , 1 IN.15 SPLINE SHAFT, SAE 4-BOLT FLANGE	1
2	SI4604-20 x 16	#16-45 M O-RING x 1-1/4 M NIPPLE	1
	S14603- 20 x 26F	#16 M O-RING x 1-1/4 NIPPLE	1
3	77620	1-1/4 O-RING PLUG 900598-20	2
4	779A7	#16 M O-RING X 3/4 MJIC	1
5	0909434	PRESSURE TRANSDUCER (OPTIONAL)	1

Section V - PARTS

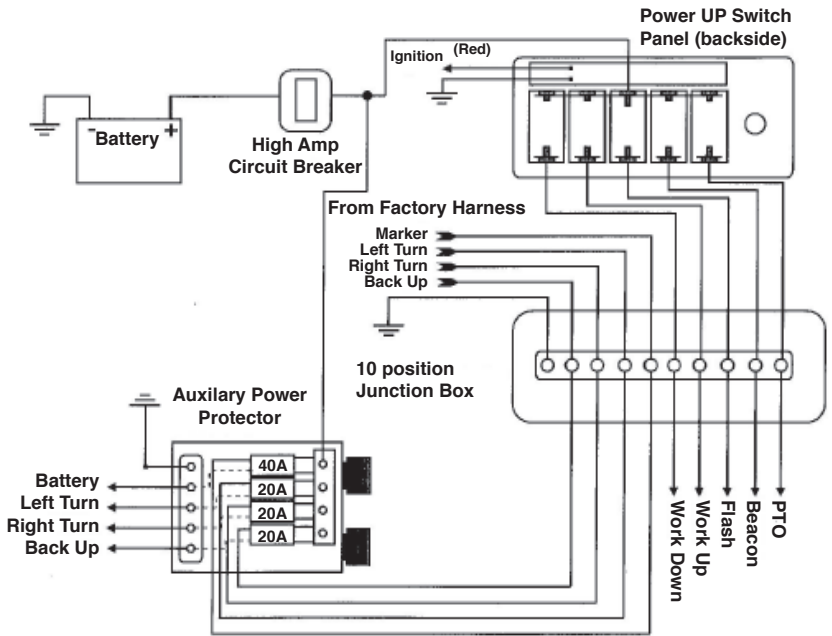
MUDFLAP COMPONENTS



REF	PART #	DESCRIPTION	QPU
1	0751034L	MUDFLAP MOUNTING BRACKET (LH)	1
	0751034R	MUDFLAP MOUNTING BRACKET (RH)	1
2	0308419	MUDFLAP 24 x 24	1
3	0750340	MUDFLAP SUPPORT BAR	1
4		BOLT HHCS 3/8-16 UNC x 1-1/2	4
5		3/8 FLAT WASHER	16
6		3/8-16 NYLON LOCK NUT	16
7		BOLT HHCS 3/8-16 UNC x 1-1/4	4

Section V - PARTS

OPTIONAL DASHBOARD PANEL

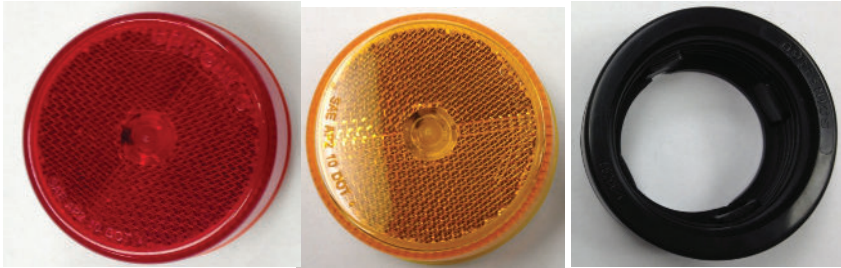


Section V - PARTS

LIGHT KIT



REF. NO.	PART NUMBER	DESCRIPTION
1	0311498	LIGHT 6" OVAL RED LED - STOP/TURN
2	0311500	LIGHT 6" OVAL REVERSE LED
3	3011503	LIGHT 6" GROMMET



REF. NO.	PART NUMBER	DESCRIPTION
1	0311512	LIGHT 2.5" RED REFLEX LED (MCL59RB)
2	0311513	LIGHT 2.5" AMBER REFLEX LED (MCL59AB)
3	0311516	LIGHT 2.5" GROMMET

Section V - PARTS

LIGHT KIT



REF. NO.	PART NUMBER	DESCRIPTION
1	0311514	LIGHT 2.5" ROUND CLEAR/RED LED MARKER LIGHT
2	0311515	LIGHT 2.5" ROUND CLEAR/AMBER LED MARKER LIGHT
3	3011516	LIGHT 2.5" GROMMET



REF. NO.	PART NUMBER	DESCRIPTION
1	97300	CONTROL STATION LIGHT

Section V - PARTS

LIGHT KIT



REF. NO.	PART NUMBER	DESCRIPTION
1	0311519	RED 3/4 LED ICC LIGHT



REF. NO.	PART NUMBER	DESCRIPTION
1	0311520	RED 3/4 LED LIGHT

Section V - PARTS

LIGHT KIT



REF. NO.	PART NUMBER	DESCRIPTION
1	0311521	AMBER 3/4 ROUND LED LIGHT



REF. NO.	PART NUMBER	DESCRIPTION
1	0311522	CLEAR/RED 3/4 ROUND LED LIGHT



REF. NO.	PART NUMBER	DESCRIPTION
1	0311523	CLEAR/AMBER 3/4 ROUND LED LIGHT

Section V - PARTS

LIGHT KIT



REF. NO.	PART NUMBER	DESCRIPTION
1	0308359	MARKER LIGHT RED REFLEX LED



REF. NO.	PART NUMBER	DESCRIPTION
1	0308360	MARKER LIGHT AMBER REFLEX LED

Section V - PARTS

LIGHT KIT



REF. NO.	PART NUMBER	DESCRIPTION
1	0308969R	MARKER LIGHT RED REFLEX LED



REF. NO.	PART NUMBER	DESCRIPTION
1	0308969A	MARKER LIGHT AMBER REFLEX LED

Section V - PARTS

LIGHT KIT



REF. NO.	PART NUMBER	DESCRIPTION
1	074027041ACL	MILLENIUM MARKER LIGHT CLEAR/AMBER



REF. NO.	PART NUMBER	DESCRIPTION
1	174027041RCL	MELLIENUM MARKER LIGHT CLEAR/RED

Section V - PARTS

LIGHT KIT



REF. NO.	PART NUMBER	DESCRIPTION
1	0308491	REFLECTOR - AMBER



REF. NO.	PART NUMBER	DESCRIPTION
1	0308490	REFLECTOR - RED

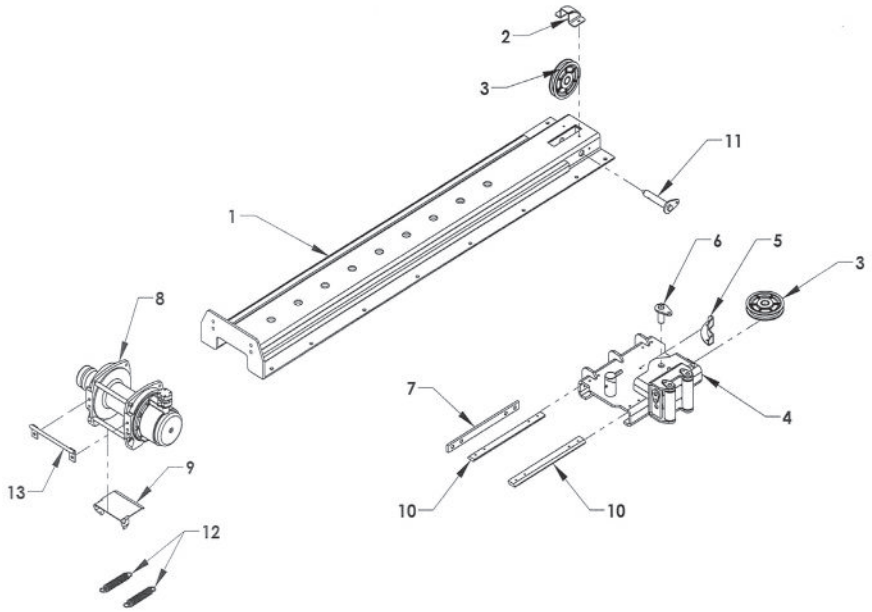
Section V - PARTS

LIGHT KIT



REF. NO.	PART NUMBER	DESCRIPTION
1	0311510	RECTANGULAR REFLEX BACK UP
1	0311511	RECTANGULAR REFLEX BACK UP GROMMET

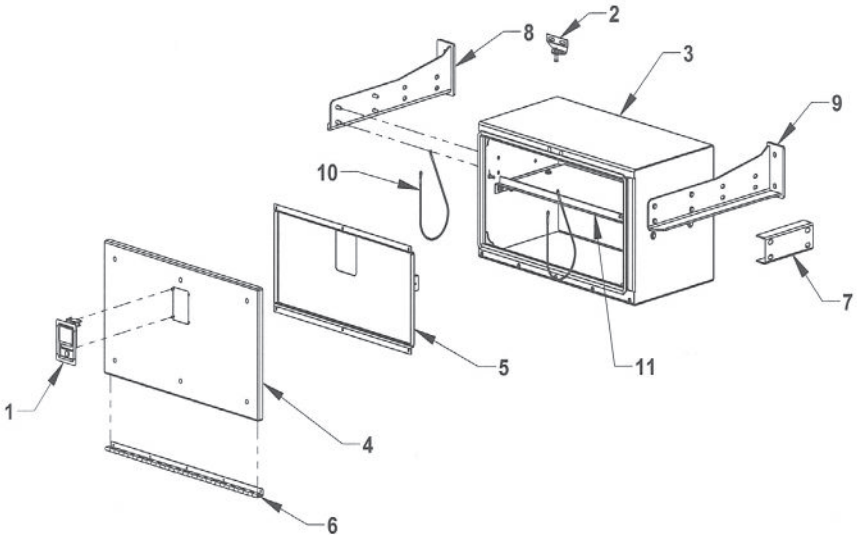
Section V - PARTS MANUAL SLIDEWINDER



REF. NO.	NO. REQ'D	PART NUMBER	DESCRIPTION
1	1	315214	SLIDE TRACK - LONG
2	1	315225	CABLE GUIDE
3	2	69125	6 x 1 PULLEY
4	1	315310	SLIDE CARRIAGE
5	1	315325	CABLE GUIDE
6	1	315330	PULLEY PIN
7	1	315323	FRONT SLIDE PAD
8	1	711096	SERIES 9 WINCH - 6.5 INCH DRUM
	1	711126	SERIES 12 WINCH - 6.5 INCH DRUM
9	1	A90065	CABLE TENSIONER PLATE
10	2	315320	SLIDE PAD
11	1	315230	PULLEY PIN
12	2	A90185	CABLE TENSIONER SPRING
13	1	7189065	AIR LINE TRANSFER BRACKET

Section V - PARTS

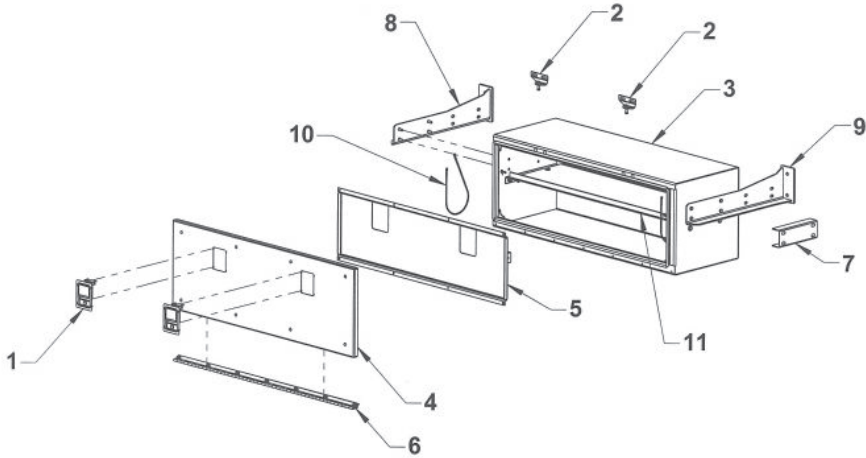
33" ALUMINUM TOOLBOX - 377000



REF	PART #	DESCRIPTION	QPU
1	54658	ROTARY PADDLE LATCH	1
	54657	GASKET FOR PADDLE LATCH	1
	81111	#8-32 X 1/2 STAINLESS ONE WAY SCREW	4
	83111	#8-32 STAINLESS KEPT NUT	4
2	376182	STRIKER PIN MOUNTING PLATE	1
	54659	STRIKER PIN	1
	81115	STAINLESS CARRIAGE BOLT 5/16-18 x 3/4	2
	82110	FLAT WASHER 5/16	4
	82130	LOCK WASHER 5/16	2
	83110	NUT 5/16-18	2
	83125	NYLON LOCK NUT 5/16-18	1
	377100W	BOX WELDMENT	1
4	37741	DOOR WELDMENT	1
	37740	DOOR ASSEMBLY	1
	81100	STAINLESS CARRIAGE BOLT 1/4-20 x 3/4	6
	83105	NYLON LOCK NUT 1/4-20	6
	37744	DOOR REINFORCEMENT	1
6	37735	HINGE	1
	811014	SS SOCKET BUTTON HEAD BOLT 1/4-20 x 7/8	2
	811012	SS SOCKET BUTTON HEAD BOLT 1/4-20 x 3/4	3
	811010	SS SOCKET BUTTON HEAD BOLT 1/4-20 x 5/8	5
	83105	NYLON LOCK NUT 1/4-20	10
	37760	TANDEM BOX SPACER CHANNEL (OPTIONAL)	1
8	37855R	TANK AND TOOLBOX MT BRACKET-RIGHT	1
9	37855L	TANK AND TOOLBOX MT BRACKET-LEFT	1
10	5A221	LANYARD-21 INCH	2
11	37770	SHELF	1

Section V - PARTS

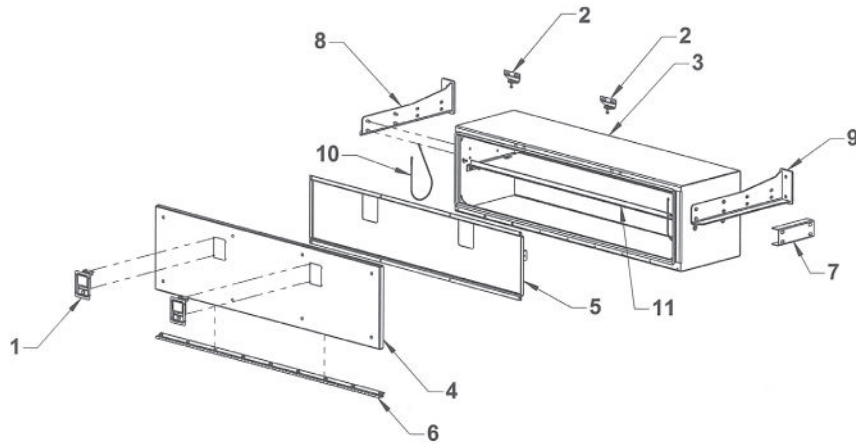
49" ALUMINUM TOOLBOX - 378000



REF	PART #	DESCRIPTION	QPU
1	54658	ROTARY PADDLE LATCH	2
	54657	GASKET FOR PADDLE LATCH	2
	81111	#8-32 X 1/2 STAINLESS ONE WAY SCREW	8
	83111	#8-32 STAINLESS KEPT NUT	8
2	376182	STRIKER PIN MOUNTING PLATE	2
	54659	STRIKER PIN	2
	81115	STAINLESS CARRIAGE BOLT 5/16-18 x 3/4	4
	82110	FLAT WASHER 5/16	8
	82130	LOCK WASHER 5/16	4
	83110	NUT 5/16-18	4
	83125	NYLON LOCK NUT 5/16-18	2
	3	378100W	BOX WELDMENT
4	37841	DOOR WELDMENT	1
	37840	DOOR ASSEMBLY	1
	81100	STAINLESS CARRIAGE BOLT 1/4-20 x 3/4	8
	83105	NYLON LOCK NUT 1/4-20	8
	5	37844	DOOR REINFORCEMENT
6	37835	HINGE	1
	811014	SS SOCKET BUTTON HEAD BOLT 1/4-20 x 7/8	2
	811012	SS SOCKET BUTTON HEAD BOLT 1/4-20 x 3/4	5
	811010	SS SOCKET BUTTON HEAD BOLT 1/4-20 x 5/8	7
	83105	NYLON LOCK NUT 1/4-20	14
7	37760	TANDEM BOX SPACER CHANNEL (OPTIONAL)	1
8	37855R	TANK AND TOOLBOX MT BRACKET-RIGHT	1
9	37855L	TANK AND TOOLBOX MT BRACKET-LEFT	1
10	5A221	LANYARD-21 INCH	2
11	37670	SHELF	1

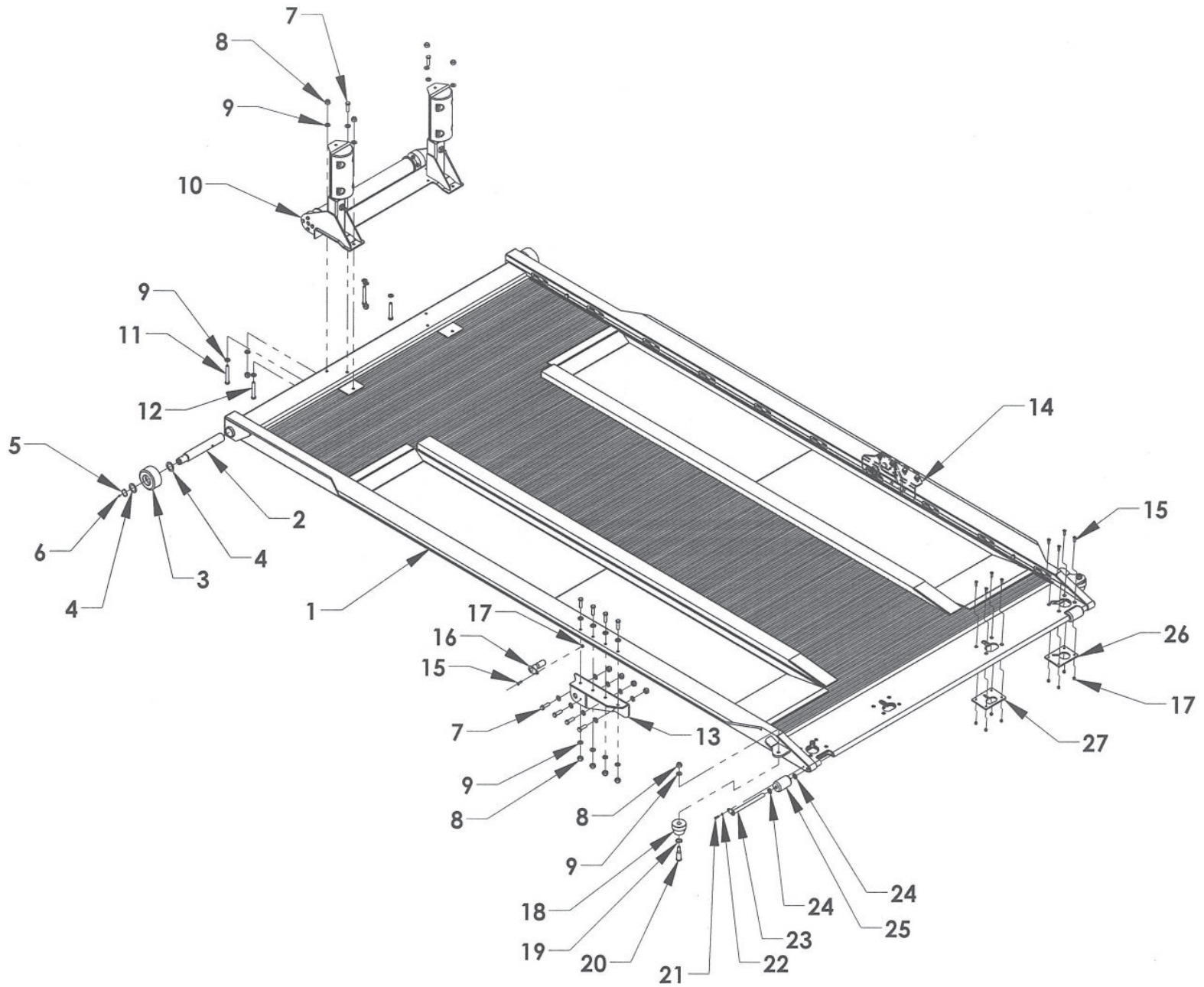
Section V - PARTS

65" ALUMINUM TOOLBOX - 379000



REF	PART #	DESCRIPTION	QPU
1	54658	ROTARY PADDLE LATCH	2
	54657	GASKET FOR PADDLE LATCH	2
	81111	#8-32 X 1/2 STAINLESS ONE WAY SCREW	8
	83111	#8-32 STAINLESS KEPT NUT	8
2	376182	STRIKER PIN MOUNTING PLATE	2
	54659	STRIKER PIN	2
	81115	STAINLESS CARRIAGE BOLT 5/16-18 x 3/4	4
	82110	FLAT WASHER 5/16	8
	82130	LOCK WASHER 5/16	4
	83110	NUT 5/16-18	4
	83125	NYLON LOCK NUT 5/16-18	2
	379100W	BOX WELDMENT	1
3	37941	DOOR WELDMENT	1
	37940	DOOR ASSEMBLY	1
4	81100	STAINLESS CARRIAGE BOLT 1/4-20 x 3/4	8
	83105	NYLON LOCK NUT 1/4-20	8
	37944	DOOR REINFORCEMENT	1
	37935	HINGE	1
5	811014	SS SOCKET BUTTON HEAD BOLT 1/4-20 x 7/8	2
	811012	SS SOCKET BUTTON HEAD BOLT 1/4-20 x 3/4	7
	811010	SS SOCKET BUTTON HEAD BOLT 1/4-20 x 5/8	9
	83105	NYLON LOCK NUT 1/4-20	18
7	37760	TANDEM BOX SPACER CHANNEL (OPTIONAL)	1
8	37855R	TANK AND TOOLBOX MT BRACKET-RIGHT	1
9	37855L	TANK AND TOOLBOX MT BRACKET-LEFT	1
10	5A221	LANYARD-21 INCH	2
11	37770	SHELF	1

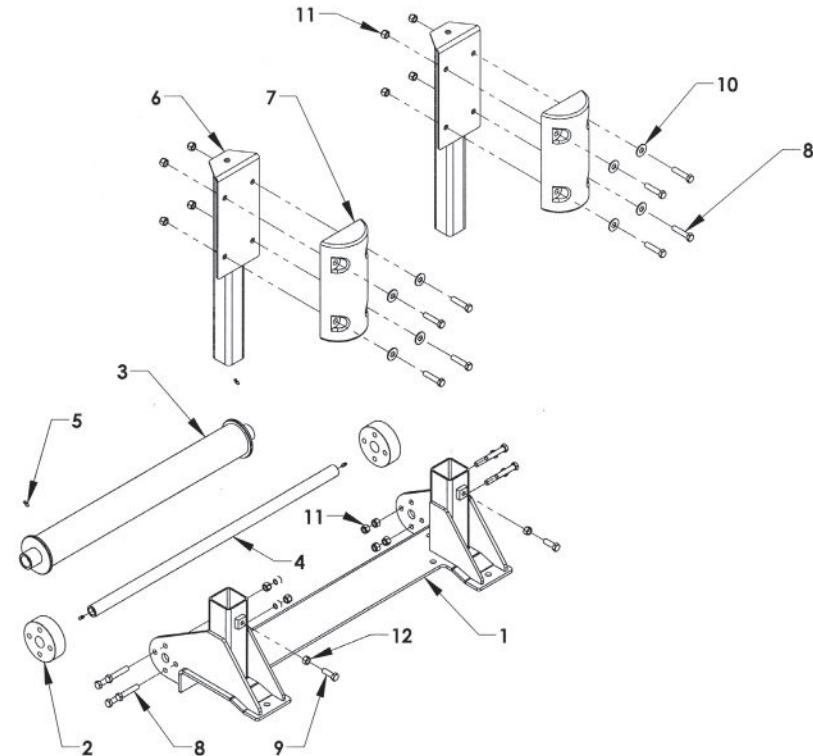
Section V - PARTS
DUAL DECK BED ASSEMBLY



**Section V - PARTS
DUAL DECK BED ASSEMBLY**

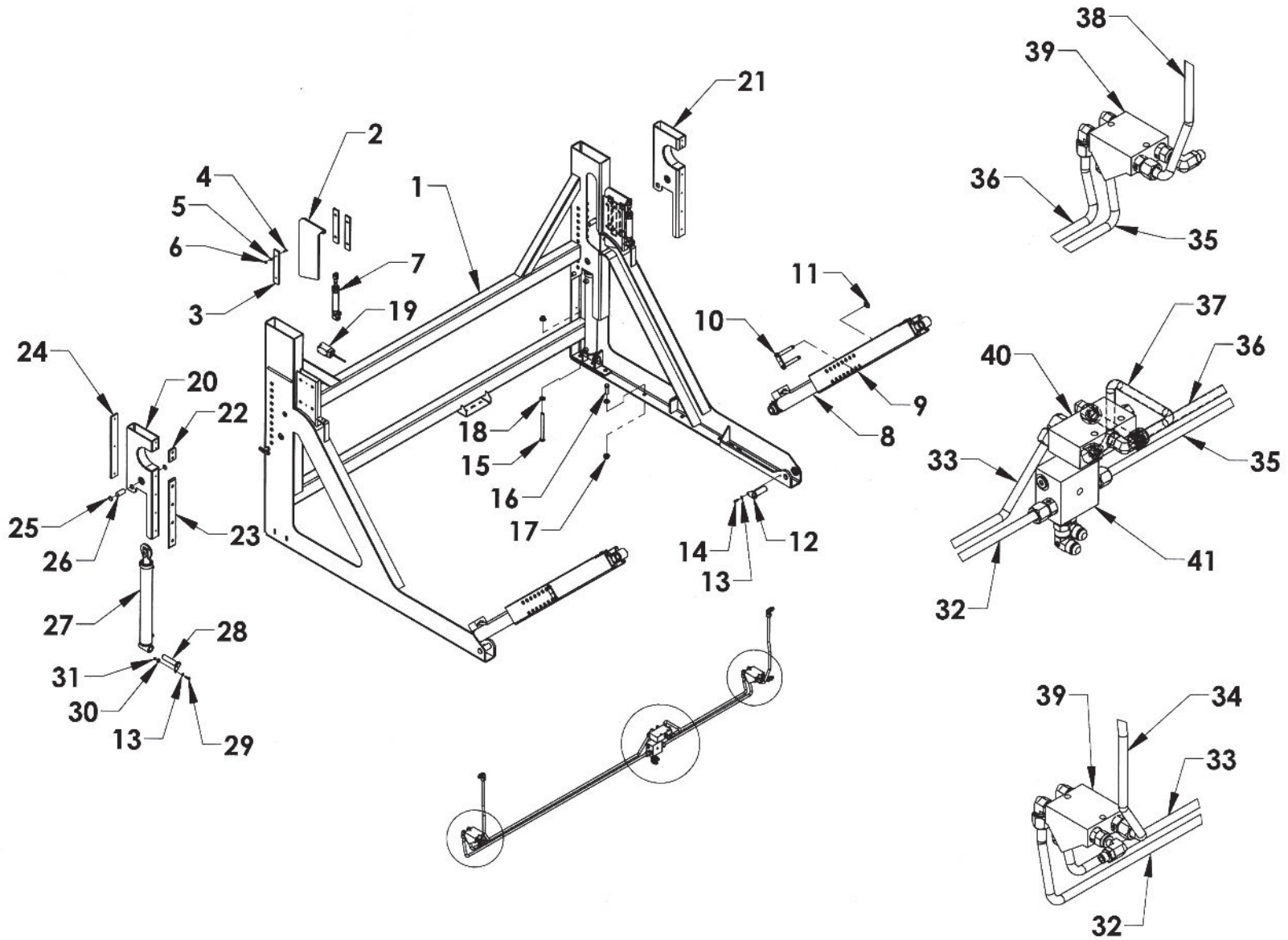
REF	PART #	DESCRIPTION	QPU
1	3D010155	BED WELDMENT	1
2	3D019520	FRONT AXLE	2
3	3D019525	FRONT ROLLER	2
4	3D019526	WHEEL WASHER	4
5	86150E	SNAP RING 1-1/4 EXTERNAL	2
6	7B121	GREASE FITTING 1/4-28	2
7		BOLT HHCS 5/8-11 UNC x 2	18
8		NYLON LOCK NUT 5/8-11 UNC	24
9		WASHER 5/8 FLAT	46
10	3D019200	BULK HEAD ASSEMBLY	1
11		BOLT HHCS 5/8-11 UNC x 4-1/2	2
12		BOLT HHCS 5/8-11 UNC x 4	2
13	3D01910L	LIFT CYLINDER MOUNTING BRACKET - LEFT	1
14	3D01910R	LIFT CYLINDER MOUNTING BRACKET - RIGHT	1
15		BOLT FSCS 3/8-16 UNC x 1-1/4	18
16	3D01915	LIFT CYLINDER KEEPER PIN - UPPER	2
17		NYLON LOCK NUT 3/8-16 UNC	18
18	3D01435	SIDE ROLLER WHEEL	2
19		WASHER 1 IN. FLAT	2
20	3D014223	SIDE WHEEL PIN	2
21		BOLT HHCS 5/16-18 UNC x 1	2
22		WASHER 5/16 LOCK	2
23	3D019510	ROLLER KEEPER PIN	2
24	3D019513	ROLLER SHIM	4
25	0721483	ROLLER APPROACH	2
26	34520	ALUMINUM APPROACH PLAT CHAIN LOCK	2
27	34521	ALUMINUM APPROACH PLATE CHAIN LOCK	2

**Section V - PARTS
DUAL DECK BULKHEAD**



REF	PART #	DESCRIPTION	QPU
1	3D019210	BULKHEAD WELDMENT	1
2	3D019225	NYLATRON BEARING	2
3	3D019220	CABLE ROLLER	1
4	3D019224	CABLE ROLLER AXLE	1
5	7B121	GREASE FITTING 1/4-28	4
6	3D019235	BUMPER WELDMENT	2
7	0308649	RUBBER BUMPER	2
8	-	1/2-13 x 2-1/2 HHCS GR 5	16
9	-	1/2-13 x 1-1/2 HHCS GR 5	2
10	-	1/2 USS FLAT WASHER	8
11	-	1/2-13 NYLON LOCK NUT	16
12	-	1/2-13 HEX NUT	2

Section V - PARTS
DUAL DECK INCLINE ASSEMBLY



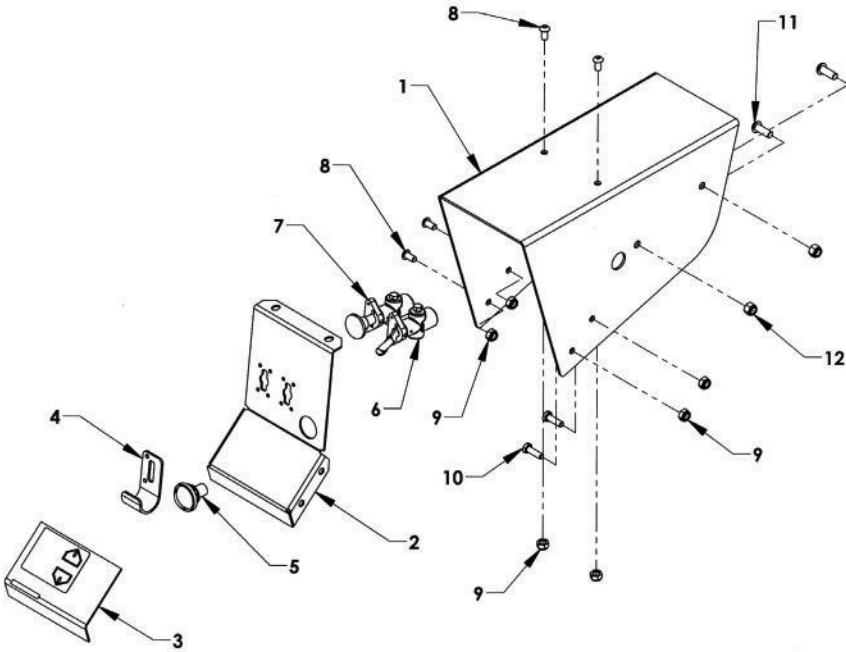
Section V - PARTS

DUAL DECK INCLINE ASSEMBLY

REF	PART #	DESCRIPTION	QPU
1	3DF210	DD INCLINE WELDMENT	1
2	3DF235	WHEEL LOCK PLATE	2
3	3DF136	WEAR PAD	6
4	-	BOLT FSCS 1/4-20 UNC x 1	12
5	-	WASHER 1/4 FLAT	12
6	-	NYLON LOCK NUT 1/4-20 UNC	12
7	0308990	AIR CYLINDER 3.5 STROKE	2
8	72A250035 ROSENBOOM	LIFT CYLINDER	2
9	729450	CYLINDER SHAFT GUARD	2
10	7293530	LIFT CYLINDER LOCK PIN	2
11	84713	LYNCH PIN 3/16	2
12	3DF150	LIFT CYLINDER KEEPER PIN -LOWER	2
13	-	LOCK WASHER 5/16	4
14	-	BOLT HHCS 5/16-18 UNC x 1	2
15	-	NYLON LOCK NUT 5/8-11 UNC	2
16	-	BOLT HHCS 5/8-11 UNC x 2	12
17	-	FLANGE LOCK NUT 5/8-11 UNC	14
18	-	FLAT WASHER 5/8	14
19	74521-WS	LIMIT SWITCH-W0BBLE STICK	1
20	3DF260L	DD LIFT TUBE CHANNEL LEFT	1
21	3DF260R	DD LIFT TUBE-RIGHT	1
22	3DF139	DD WEAR PAD-UPPER REAR	2
23	3DF138	DD WEAR PAD -LOWER REAR	2
24	3DF137	DD WEAR PAD-FRONT	2
25	86100I	SNAP RING - 1 INCH INTERNAL	4
26	3DF266	FRONT LIFT CYL TOP MTG PIN .980 x 2.188	2
27	72A25016	DD FRONT LIFT CYLINDER	2
28	3DF155	FRNT LIFT CYL BOTM MTG PIN .980 x 4.875	2
29	-	BOLT, HHCS, 5/16-18 UNC x 1-1/4	2
30	-	5/16 FLAT WASHER	2
31	-	HEX NUT 5/16-18 UNC	2
32	3DF272	FLUID TUBE - LEFT INNER	1
33	3DF286	FLUID TUBE - LEFT INNER	1
34	3DF275L	CYLINDER FLUID TUBE-LEFT	1
35	3DF274	FLUID TUBE - RIGHT OUTER	1
36	3DF287	FLUID TUBE - RIGHT OUTER	1
37	3DF290	FLUID TUBE - MANIFOLD TO FLOW DIVIDER	1
38	3DF275R	CYLINDER FLUID TUBE - RIGHT	1
39	74345	COUNTERBALANCE VALVE	2
40	74340	FLOW DIVIDER MANIFOLD	1
41	3DF270	UPPER DD MANIFOLD	1

Section V - PARTS

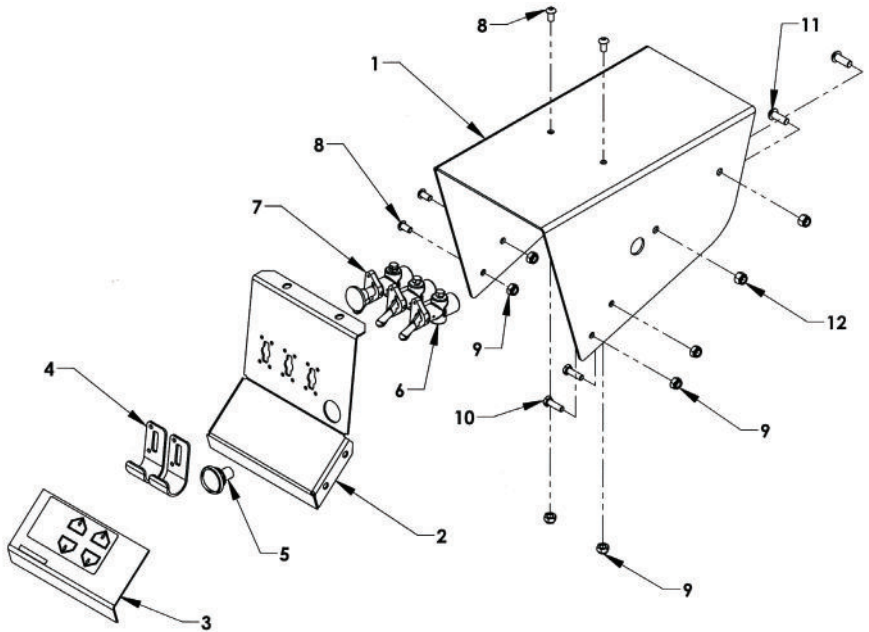
2 AIR VALVE CONTROL STATION DUAL DECK



REF. NO.	NO. REQ'D	PART NUMBER	DESCRIPTION
1	1	18148	2-TOGGLE AIR VALVE CONTROL HOOD
2	1	18149L	2-TOGGLE AIR VALVE CONTROL PANEL - LEFT
	1	18149R	2-TOGGLE AIR VALVE CONTROL PANEL - RIGHT
3	1	18231L	AIR SHIFT CONTROL PLACARD DD 3-CAR - LEFT
	1	18231R	AIR SHIFT CONTROL PLACARD DD 3-CAR - RIGHT
4	1	18145	TOGGLE AIR VALVE GUARD
5	1	97300	CONTROL LIGHT
6	1	71716	TOGGLE AIR VALVE
7	1	71718	MOMENTARY PUSH-IN AIR VALVE
8	4	-	BOLT BHCS 5/16-18 UNC x 5/8
9	6	-	NYLON LOCK NUT 5/16-18 UNC
10	2	-	BOLT HHCS 5/16-18 UNC x 1
11	2	-	BOLT BHCS 3/8-16 UNC x 1
12	2	-	NYLON LOCK NUT 3/8-16 UNC

Section V - PARTS

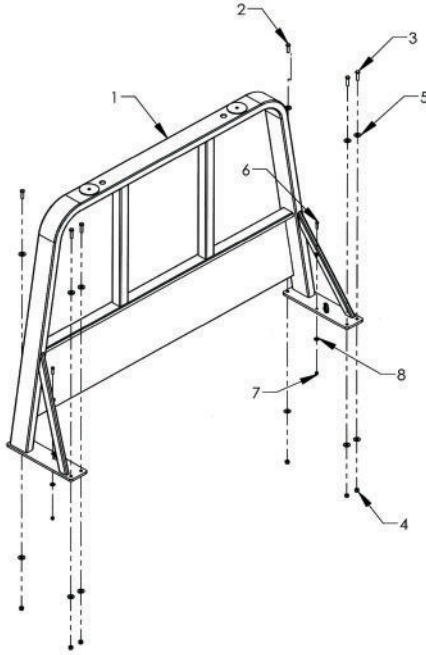
3 AIR VALVE CONTROL STATION DUAL DECK



REF. NO.	NO. REQ'D	PART NUMBER	DESCRIPTION
1	1	18146	3-TOGGLE AIR VALVE CONTROL HOOD
2	1	18147L	3-TOGGLE AIR VALVE CONTROL PANEL - LEFT
	1	18147R	3-TOGGLE AIR VALVE CONTROL PANEL - RIGHT
3	1	18234L	AIR SHIFT CONTROL PLACARD DD 4-CAR - LEFT
	1	18234R	AIR SHIFT CONTROL PLACARD DD 4-CAR - RIGHT
4	2	18145	TOGGLE AIR VALVE GUARD
5	1	97300	CONTROL LIGHT
6	2	71716	TOGGLE AIR VALVE
7	1	71718	MOMENTARY PUSH-IN AIR VALVE
8	4	-	BOLT BHCS 5/16-18 UNC x 5/8
9	6	-	NYLON LOCK NUT 5/16-18 UNC
10	2	-	BOLT HHCS 5/16-18 UNC x 1
11	2	-	BOLT BHCS 3/8-16 UNC x 1
12	2	-	NYLON LOCK NUT 3/8-16 UNC

Section V - PARTS

BED MOUNTED CAB PROTECTOR



REF. NO.	NO. REQ'D	PART NUMBER	DESCRIPTION
1	1	0809558-38	2 x 5 PERIMETER TUBE CAB PROTECTOR - 38"
		0809558-42	2 x 5 PERIMETER TUBE CAB PROTECTOR - 42"
		0809558-45	2 x 5 PERIMETER TUBE CAB PROTECTOR - 45"
		0809558-48	2 x 5 PERIMETER TUBE CAB PROTECTOR - 48"
		0809558-50	2 x 5 PERIMETER TUBE CAB PROTECTOR - 50"
		0809558-52	2 x 5 PERIMETER TUBE CAB PROTECTOR - 52"
		0809558-54	2 x 5 PERIMETER TUBE CAB PROTECTOR - 54"
		0809558-57	2 x 5 PERIMETER TUBE CAB PROTECTOR - 57"
		0809558-60	2 x 5 PERIMETER TUBE CAB PROTECTOR - 60"
0809558-64	2 x 5 PERIMETER TUBE CAB PROTECTOR - 64"		
2	2	0400211	1/2 -13 x 1-3/4 HHCS GR 5 Z
3	4	0400188	1/2 -13 x 2 HHCS
4	6	0400408	1/2 -13 NYLON LOCK NUT ZINC
5	12	0400492	1/2 USS FLAT WASHER ZINC
6	2	0400132	3/8 -16 x 1-1/2 HHCS GR 5 Z
7	2	0400392	3/8 -16 NYLON LOCK NUT ZINC
8	4	0400480	3/8 - USS FLAT WASHER ZINC