

# CENTURY®

LEGENDARY LEADERSHIP



## OWNER'S MANUAL

# 1150 STANDARD WITH SDU/4 UNDERLIFT PARTS

**NOTE: MANUAL including SPECIFICATIONS is subject to change without notice  
All ratings specified are based on structural factors only,  
not vehicle capacities or capabilities.**

## CENTURY®

Miller Industries Towing Equipment Inc.  
8503 Hilltop Drive

Ooltewah, Tennessee 37363  
Phone (423) 238-4171 • FAX (423) 238-5371

FORM NO. 05000622  
05 / 2017

## LIMITED WARRANTY

MILLER INDUSTRIES TOWING EQUIPMENT INC., hereinafter referred to as MILLER, warrants to the original purchaser that each new MILLER wrecker or other MILLER products will be free from defects in material and workmanship for a period of twelve (12) months from date placed in service, but in no event shall such warranty period exceed twenty-four (24) months from date of manufacture by MILLER. The purchaser must promptly notify MILLER in writing of any failure in material or workmanship. In no event shall MILLER accept such notification later than twenty-four (24) months from date of delivery or twelve (12) months from date placed in service, whichever is earlier.

MILLER's obligation under this warranty, statutory or otherwise, is limited to the repair or replacement at the MILLER factory, or at a point designated by MILLER, of such part or parts as shall appear upon inspection by MILLER to be defective in material or workmanship. New or remanufactured parts will be used for any replacement at MILLER's option. This warranty is not transferable. This warranty does not obligate MILLER to bear the cost of labor or transportation charges in connection with the repair or replacement of any parts found to be defective, nor shall it apply to a product upon which repairs or alterations have been made unless authorized by MILLER.

EXCEPT AS EXPRESSLY SET FORTH IN THIS WARRANTY, MILLER MAKES NO OTHER WARRANTY, EXPRESS OR IMPLIED, AND HEREBY DISCLAIMS ALL OTHER WARRANTIES INCLUDING, BUT NOT LIMITED TO, THE IMPLIED WARRANTIES OF MERCHANTABILITY AND FITNESS FOR A PARTICULAR PURPOSE. MILLER shall in no event be liable for claimed downtime, claimed loss of profits or goodwill, or any other special, incidental, indirect, or consequential damages concerning or relating to any product or parts, whether based on negligence, strict liability, breach of contract, breach of warranty, misrepresentation or any other legal theory, regardless of whether the loss resulted from any general or particular requirement which MILLER knew or had reason to know about at the time of sale.

MILLER MAKES NO WARRANTY, EXPRESS OR IMPLIED, AS TO THE FINISHED PRODUCTS MANUFACTURED OR SUPPLIED BY ANOTHER MANUFACTURER AND SUPPLIED BY MILLER TO PURCHASER, including, but not limited to, any vehicle to which a MILLER product may be affixed or any accessories or wire rope, and MILLER EXPRESSLY DISCLAIMS ANY IMPLIED WARRANTIES OF MERCHANTABILITY OR FITNESS FOR A PARTICULAR PURPOSE AS TO SUCH EQUIPMENT OR PRODUCTS. This language shall in no way affect or diminish the rights of the purchaser to rely on such warranties as are extended by such manufacturers or suppliers. MILLER shall, to the extent permitted under applicable law, pass on to the purchaser such manufacturer's or seller's warranty.

MILLER, whose policy is one of continuous improvement, reserves the right to improve its products through changes in design or materials as it may deem desirable without being obligated to incorporate such changes in products previously sold. This warranty is not intended to cover or include the following items, which are set forth by way of example and not limitation:

- A. Normal deterioration of trim, paint, lettering, and appearance items due to wear or exposure to weather, road conditions, road treatments, etc.
- B. Any damage or defect due to accident, misuse, abuse, improper or unauthorized repairs, failure to provide reasonable and necessary maintenance, or uses for which the equipment was not designed or intended.
- C. Alterations or modifications that affect performance, operation or reliability.
- D. Normal maintenance parts including (but not limited to) wear pads, bushings, wire rope, mud flaps, fenderettes, light bulbs, hydraulic oil, filters, and tow sling belts.

IT IS EXPRESSLY UNDERSTOOD THAT MILLER MAKES NO IMPLIED WARRANTY THAT MILLER PRODUCTS SHALL BE FIT FOR THE PURPOSE OF LIFTING OR MOVING PEOPLE OR FOR ANY OTHER IMPROPER USE.



Miller Industries Towing Equipment Inc.  
8503 Hilltop Drive  
Ooltewah, Tennessee 37363

**SERIAL NUMBER:**

Telephone (423) 238-4171

## **OWNER, USER AND OPERATOR:**

We appreciate your choice of our towing and recovery unit for your application. Our number one priority is user safety which is best achieved by our joint efforts. We feel that you can make a major contribution to safety if you, as the equipment owner and operator:

1. **Comply with Federal, State, and Local Regulations.**
2. **Read, Understand, and Follow the Instructions in this Manual.**
3. **Use Good, Safe Work Practices in a Common Sense Way.**
4. **Only have Authorized and Trained Personnel performing maintenance on the Towing and Recovery Unit.**

# TABLE OF CONTENTS

It is assumed by the manufacturer that the Owner/Operator has a thorough knowledge of the accepted and lawful retrieval and towing methods as dictated by his city, county or state. The manufacturer rejects any liability claim that may result from the incorrect or unlawful application of its equipment.

## Section I - PARTS

BODY AND TUNNEL BOX ASSEMBLY .....	I-2 & I-3
SUBFRAME ASSEMBLY .....	I-4 thru I-9
DRAG WINCH ASSEMBLY .....	I-10 & I-11
DRAG WINCH HYDRAULICS .....	I-12 & I-13
DRAG WINCH PNEUMATICS .....	I-14 & I-15
WRECKER FRAME ASSEMBLY (NO SIDE DRAG WINCH OPTION) .....	I-16 thru I-21
WRECKER FRAME ASSEMBLY (DUAL DRAG WINCH OPTION) .....	I-22 thru I-27
AIR PLATE ASSEMBLY .....	I-28 & I-29
PNEUMATIC COMPONENTS .....	I-30 thru I-33
RECOVERY WINCH HYDRAULICS .....	I-34 & I-35
RECOVERY WINCH PNEUMATICS .....	I-36 & I-37
SIDE DRAG WINCH HYDRAULICS .....	I-38 & I-39
SIDE DRAG WINCH PNEUMATICS .....	I-40 & I-41
ROTATOR PINLOCK ASSEMBLY .....	I-42 & I-43
ROTATOR PINLOCK PNEUMATICS .....	I-44 & I-45
3 - STAGE BOOM ASSEMBLY - INNER STAGE .....	I-46 & I-47
3 - STAGE EXTENSION SYSTEM ASSEMBLY .....	I-48 & I-49
3 - STAGE BOOM ASSEMBLY - MIDDLE STAGE .....	I-50 & I-51
3 - STAGE BOOM ASSEMBLY - OUTER STAGE (NO SIDE WINCH) .....	I-52 thru I-55
3 - STAGE BOOM ASSEMBLY - OUTER STAGE .....	I-56 thru I-59
SWING DRIVE HYDRAULICS .....	I-60 & I-61
RECOVERY BOOM HYDRAULICS .....	I-62 & I-63

# TABLE OF CONTENTS

## Section I - PARTS

SDU/4 UNDERLIFT ASSEMBLY .....	I-64 thru I-67
SDU/4 HORIZONTAL BOOM ASSEMBLY .....	I-68 & I-69
SDU/4 UNDERLIFT HYDRAULICS .....	I-70 & I-71
SDU/4 HORIZONTAL BOOM ASSEMBLY (COACH LOWRIDER) .....	I-72 thru I-75
SDU/4 UNDERLIFT HYDRAULICS (COACH LOWRIDER) .....	I-76 thru I-79
SDU/4 HORIZONTAL BOOM ASSEMBLY (STREET LOWRIDER) .....	I-80 thru I-83
SDU/4 UNDERLIFT HYDRAULICS (STREET LOWRIDER) .....	I-84 thru I-87
BOOM SWIVEL ASSEMBLY .....	I-88 & I-89
4-STAGE REAR OUTRIGGER ASSEMBLY .....	I-90 thru I-93
4-STAGE REAR OUTRIGGER HYDRAULICS .....	I-94 & I-95
2-STAGE/3-STAGE FRONT OUTRIGGER ASSEMBLY .....	I-96 & I-97
2-STAGE FRONT OUTRIGGER HORIZONTAL ASSEMBLY .....	I-98 & I-99
2-STAGE FRONT OUTRIGGER HORIZONTAL HYDRAULICS .....	I-100 & I-101
3-STAGE FRONT OUTRIGGER HORIZONTAL ASSEMBLY .....	I-102 & I-103
3-STAGE FRONT OUTRIGGER HORIZONTAL ASSEMBLY (BIG FEET) .....	I-104 & I-105
3-STAGE FRONT OUTRIGGER HYDRAULICS .....	I-106 & I-107
OUTRIGGERS CONTROL VALVE ASSEMBLY .....	I-108 & I-109
PROPORTIONAL CONTROLS VALVE ASSEMBLY .....	I-110 & I-111
FRONT & REAR OUTRIGGERS VALVE ASSEMBLY .....	I-112 & I-113
PUMP, VALVE, & TANK HYDRAULICS .....	I-114 thru I-117
LH CONTROLS ASSEMBLY - WALVOIL .....	I-118 thru I-121
RH CONTROLS ASSEMBLY - 5 WINCH OPTION (WALVOIL) .....	I-122 & I-123

# TABLE OF CONTENTS

## Section I - PARTS

RH CONTROLS HYDRAULICS - 5 WINCH OPTION (WALVOIL) .....	I-124 thru I-127
RH CONTROLS ASSEMBLY - 6 WINCH OPTION (WALVOIL) .....	I-128 & I-129
RH CONTROLS HYDRAULICS - 6 WINCH OPTION (WALVOIL) .....	I-130 thru I-133
HYDRAULIC SWIVEL ASSEMBLY - PORTS .....	I-134 & I-135
HYDRAULIC SWIVEL ASSEMBLY (U & M PORTS) FITTINGS .....	I-136 & I-137
HYDRAULIC SWIVEL ASSEMBLY (B PORTS) FITTINGS .....	I-138 & I-139
LIFT ADAPTERS .....	I-140 & I-141

## Section I - PARTS

REF. 05000622

This Section is provided by the manufacturer for the purpose of ordering any component part of the **Century 1150 Standard Recovery Unit** with **SDU/4 Underlift** that may be required when part replacement is necessary. Be certain to use only original equipment replacement parts for warranty purposes as well as for keeping your unit in its original state and optimum operating capacities.

When ordering replacement or spare parts be sure to provide the following information to the manufacturer's **Parts Department**.

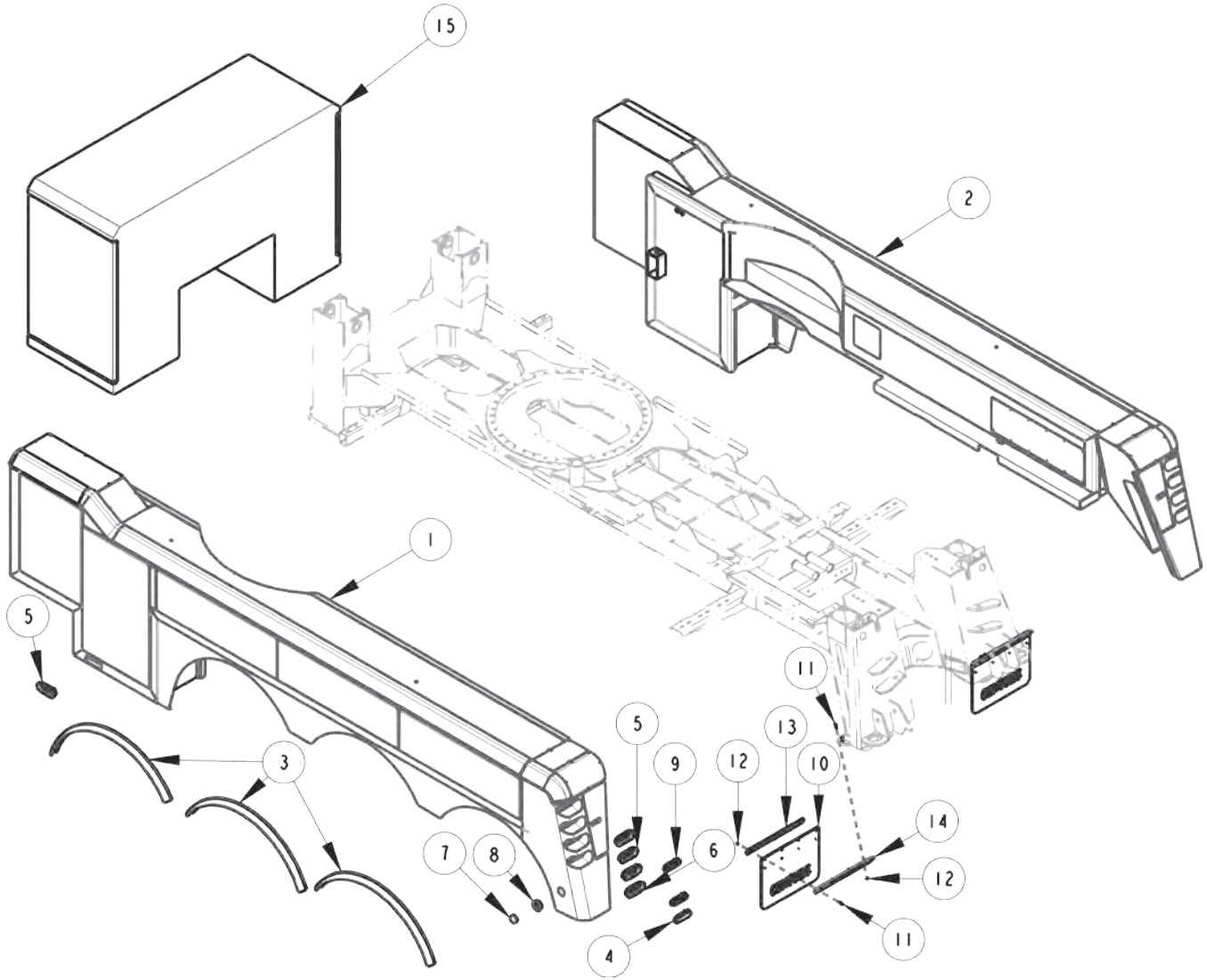
1. **Manual Number & Date of Publication**
2. **Manual Page Number**
3. **Page Title**
4. **Reference Number of Part Desired**
5. **Part Number**
6. **Part Description**
7. **Quantity of Part Desired**
8. **Unit Serial Number**

Providing this information will help ensure that the correct parts will be delivered to you in an expedient manner without delay. Should additional information be required for repair or replacement of certain components, contact your Wrecker Manufacturer Authorized Representative.

The Manufacturer reserves the right, without notice or obligation, to improve or modify their products, which may change the specifications, models and feature availability.

# Section I - PARTS

## BODY AND TUNNEL BOX ASSEMBLY





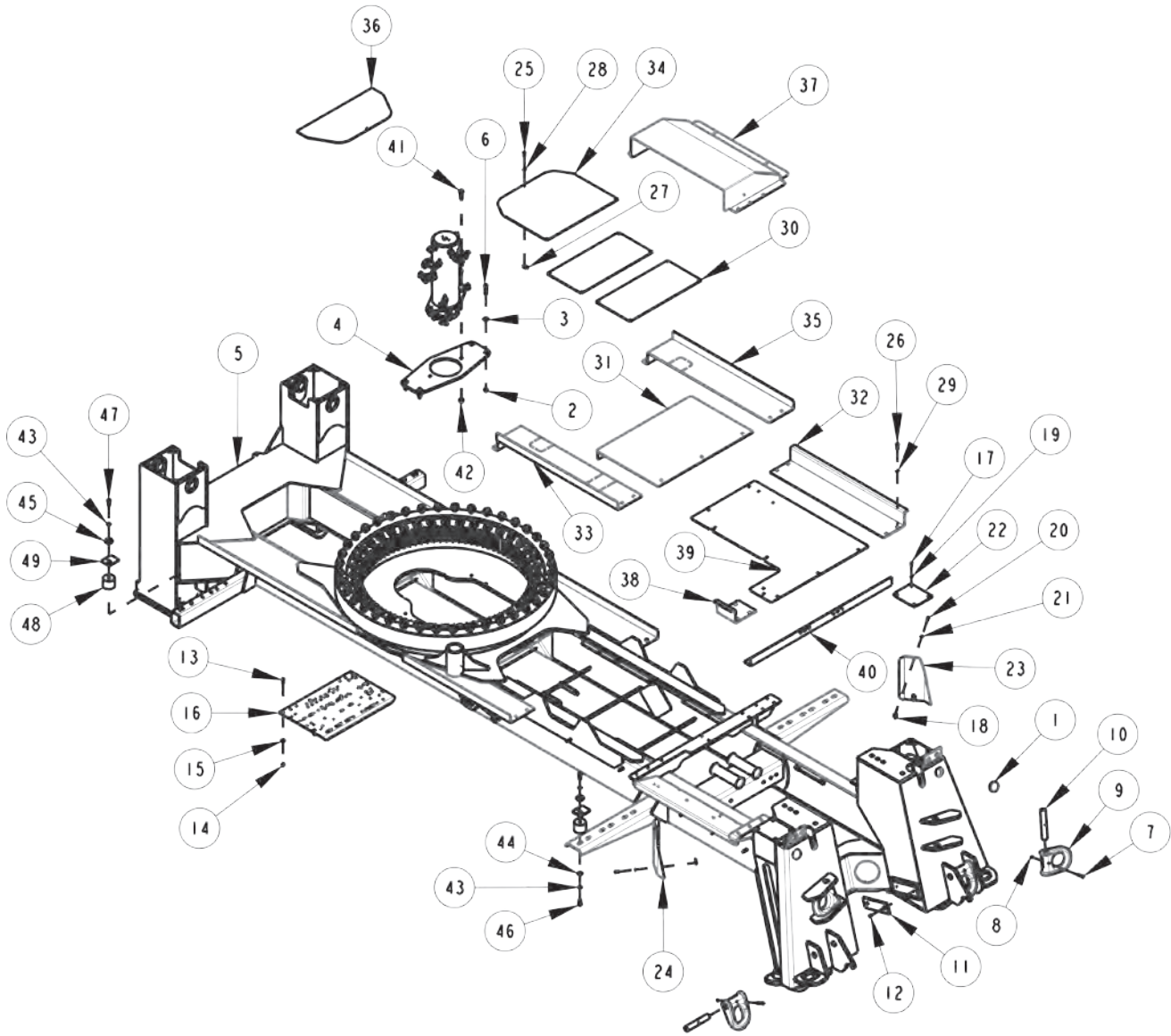
# Section I - PARTS

## BODY AND TUNNEL BOX ASSEMBLY

ITEM	PART NUMBER	DESCRIPTION	QTY
--	0910825	TOOLBX,BUA ROT-TRI 2010 W/ PD	--
1	0310956	TOOLBOX LH AL ROT TRI 2010 W/	1
2	0310957	TOOLBOX RH AL ROT TRI 2010 W/	1
--	0311140	DOOR SEAL	110FT
--	0907311	KIT-RUBBER FENDER-TRIAXL (AL)	--
3	0307151	RUBBER FENDER	35FT
--	0400607	RIVET, 1/4" X 5/8" ALUMINUM	108
--	0911309	CENTURY BODY LAMP KIT-10 LAMP	--
4	0311500	LIGHT 6"OVAL REVERSE LED	2
5	0311502	LIGHT 6"OVAL CLEAR-AMBER LED	4
6	0311503	LIGHT 6"OVAL GROMMET	10
7	0311514	LIGHT 2.5" CLEAR LENS-RED LED	2
8	0311516	GROMMET, LIGHT 2.5" ROUND	2
--	0311520	LIGHT 3/4"RED SGL LED W/ GRMT	2
9	0312309	LIGHT 6" OVAL GLO-LT STT CLR/R	4
--	0312578	MILLENUM MKR AMBR/CLR 12/24LED	2
--	0908418	KIT-MUDFLAP CENTURY ROTATOR	--
10	0310631	MUD FLAP, CENTURY	2
11	0400103	SCREW, 5/16-18X1-1/4 HHC GR5	12
12	0400382	NUT, 5/16-18 LOCK	12
13	0717386	BAR - MUDFLAP	2
14	0718264	ANGLE - ROTATOR MUD FLAP MOUNT	2
15	124004389	TUNNEL BOX, 48 ALUM 2010	1

# Section I - PARTS

## SUBFRAME ASSEMBLY



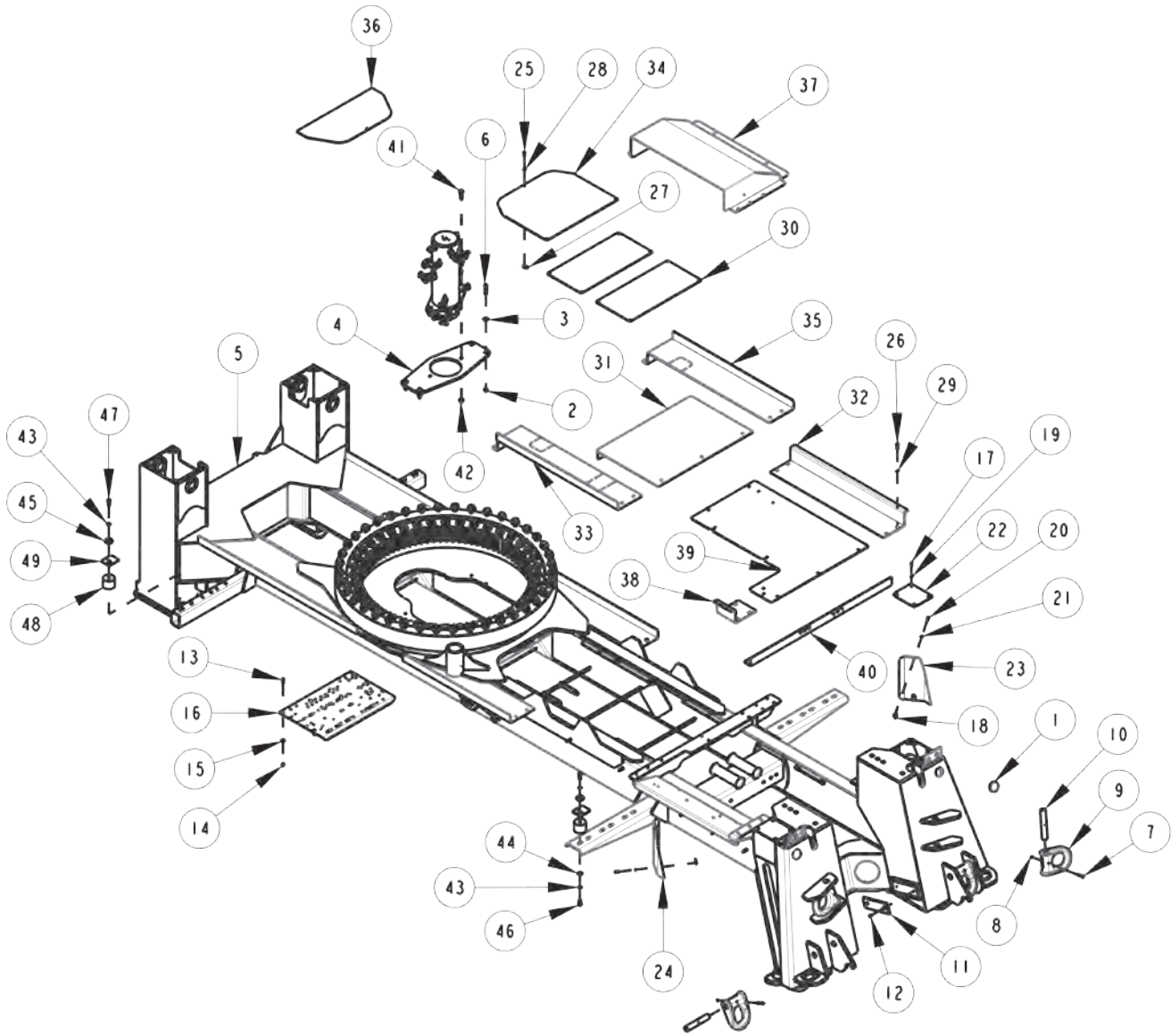
# Section I - PARTS

## SUBFRAME ASSEMBLY

ITEM	PART NUMBER	DESCRIPTION	QTY
--	0911547	SUBFRAME ASSEMBLY 1150	--
1	0310637	PLUG, HOLE	2
2	0400416	NUT, 1/2-13 LOCK GR8	4
3	0400497	WASHER, 1/2 GR8	4
4	0725476	PLATE HYDRAULIC SWIVEL MTG	1
5	0810221	SUBFRAME WLDMT 1150	1
6	9041406	1/2 NC X 2 1/2 HHCS PL GR8	4
--	0911957	KIT, D-RING PARTS	--
7	0400107	SCREW, 5/16-18X2-1/2 HHC GR5	4
8	0400776	NUT, 5/16-18 JAM LOCK	4
9	0719585	D-RING, TOWING	4
10	GA0215	PIN-"D" RING	4
--	0904049	KIT-BUMPER BOOM/TAILGATE	--
11	0307450	PAD - SLIDE, BUMPER	2
12	0400349	SCREW, 3/8-16X3/4 FHS	4
--	0910338	KIT VALVE CHANNEL MTG	--
13	0400122	SCREW, 3/8-16X1-1/4 HHC GR5	4
14	0400392	NUT, 3/8-16 LOCK	4
15	0400480	WASHER, 3/8	4
16	0807525	CHANNEL PLATE WELDMENT	1
--	0910473	KIT - COVER JACK ROTATOR 1140	--
17	0400070	SCREW, 1/4-20X1 HHC GR5	8
18	0400379	NUT, 5/16-18 SPR J	4
19	0400452	LOCKWASHER1/4	8
20	0402032	SCREW, 5/16-18X1 HHC SS	4
21	0402118	LOCKWASHER5/16 SS	4
22	0722002	PLATE - REAR O/R COVER	2
23	0722669	COVER, RIGHT CHAIN BOX	1
24	0722670	COVER, LEFT CHAIN BOX	1
--	0911923	KIT - ACCESS COVER	--
**	0301799	FLEXIBLE TRIM	2.25FT
25	0400109	SCREW, 5/16-18X1 HHC GR5	8
26	0400132	SCREW, 3/8-16X1-1/2 HHC GR5	25
27	0400379	NUT, 5/16-18 SPR J	6
28	0402118	LOCKWASHER 5/16 SS	6
29	0402121	LOCKWASHER 3/8 SS	25
30	0726532	COVER - REAR FLOOR PLATE	2
31	0726533	PANEL - FRONT CENTER DECK CVR SHORT	1
32	0726534	FLOOR PLATE COVER - DECK REAR	1
33	0726535	COVER - DECK PANEL LEFT FRONT	1
34	0726536	PLATE,FLOOR - REAR VALVE COVER	1
35	0726537	COVER - DECK PANEL RIGHT FRONT	1
36	0726538	FLOOR-PLATE FRONT VALVE COVER	1

# Section I - PARTS

## SUBFRAME ASSEMBLY (cont'd)



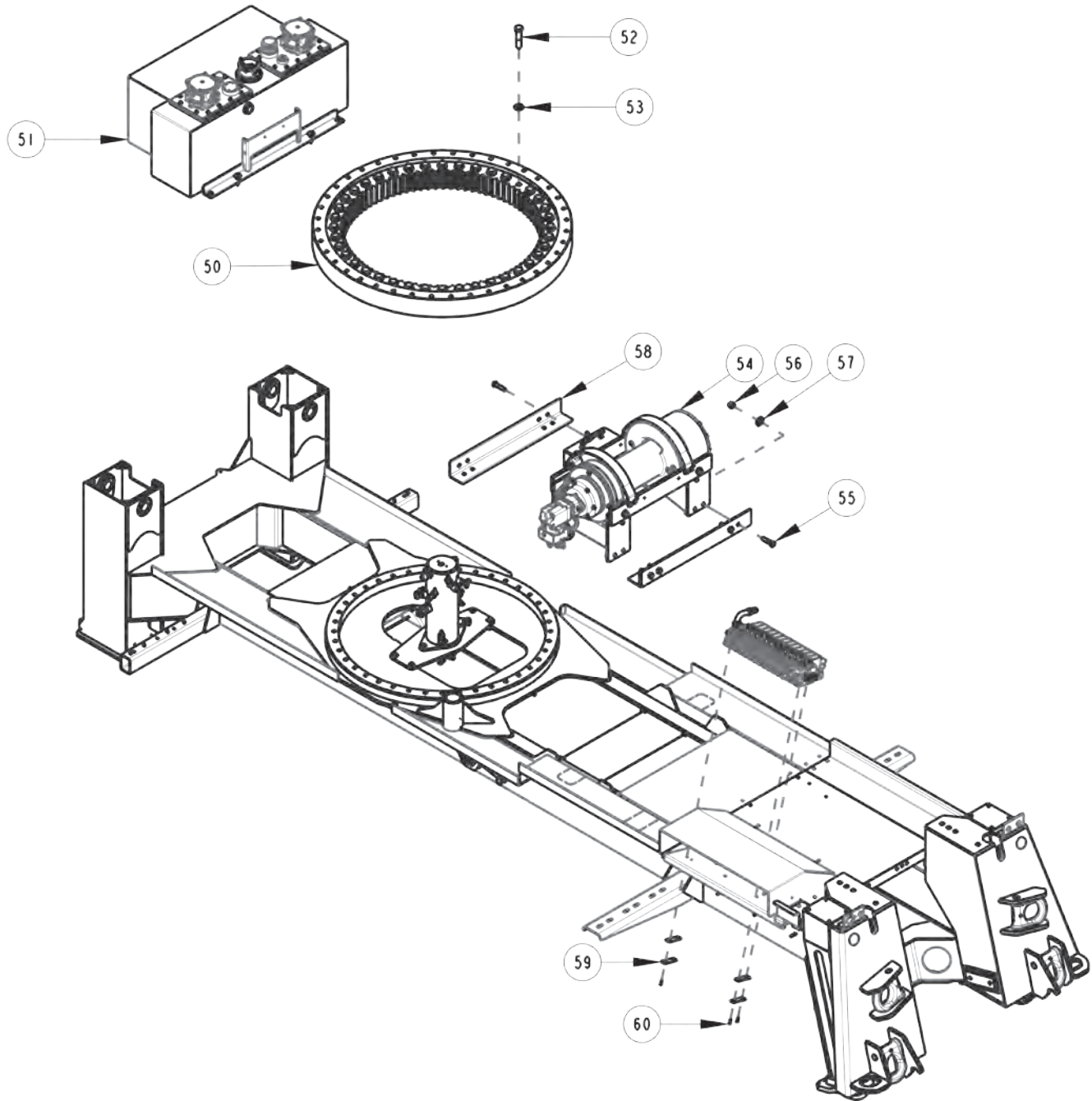
## Section I - PARTS

### SUBFRAME ASSEMBLY (cont'd)

ITEM	PART NUMBER	DESCRIPTION	QTY
--	0911923	KIT - ACCESS COVER	--
37	0726540	COVER - VALVE, SDU WV	1
38	0726541	PLATE - FLOOR - OUTER COVER	1
39	0726565	FLOOR SHEET - SDU COVER	1
40	08000190	ANGLE MTG. WELDMENT REAR DECK COV	1
--	0911877	KIT, SWIVEL PKG HYDRAULIC ROTARY	--
41	0400260	SCREW, 5/8-11X2 HHC GR5	2
42	0400421	NUT, 5/8-11 LOCK	2
--	0907508	KIT - MODULAR MOUNTS	--
43	0400491	LOCKWASHER1/2	20
44	0400497	WASHER, 1/2 GR8	6
45	0400498	WASHER, 1/2X2X0.125	14
46	9041402	1/2 NC X 1 1/4 HHCS PLT GR8	6
47	9041403	1/2 NC X 1 1/2 HHCS PL GR8	14
48	9402970	TOOLBOX MTG. PAD	14
49	942480011	PLATE,SLOT-SS REAR WASHER TBOX	20

# Section I - PARTS

## SUBFRAME ASSEMBLY (cont'd)



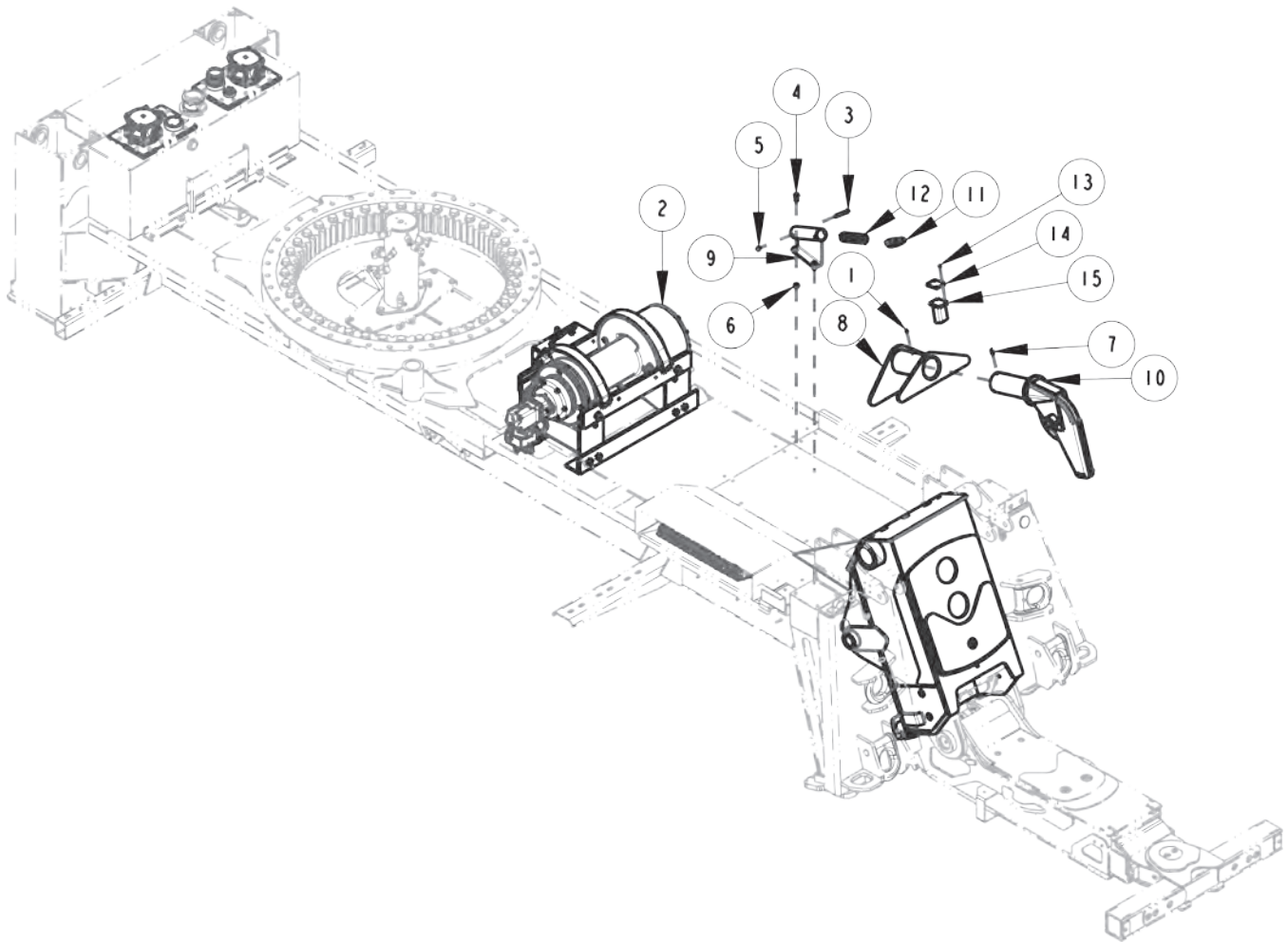
## Section I - PARTS

### SUBFRAME ASSEMBLY (cont'd)

ITEM	PART NUMBER	DESCRIPTION	QTY
--	0911547	SUBFRAME ASSEMBLY 1150	--
50	0311747	BEARING ROTATOR	1
51	0911857	TANK ASSEMBLY	1
--	0910244	KIT - 1140 WRECKER MOUNTING	--
52	0400336	SCREW, 1-8X3 HHC GR8	31
53	0400522	WASHER, 1-1/16X2X1/8	67
--	0907892	BASIC UNIT-DRAG WINCH 50K 2 SP	--
54	0303505	WINCH-dp MODEL S50-50K (2)SPD	1
55	0400286	SCREW, 3/4-10X2-3/4 HHC GR8	8
56	0400431	NUT, 3/4-10 LOK GR8	8
57	0400510	WASHER, 3/4	8
58	0726179	ANGLE, WINCH MTG, UNIVERSAL	2
--	0911232	BASIC PROP CTL WALVOIL 3 DRAG	--
59	0725046	PLATE-VALVE SPACER	4
--	0911317	WALVOIL VALVE ASSEMBLY 5 WINCH ROT	--
60	0410540	SCREW, M8-1.25X25 HHC 8.8	3

# Section I - PARTS

## DRAG WINCH ASSEMBLY





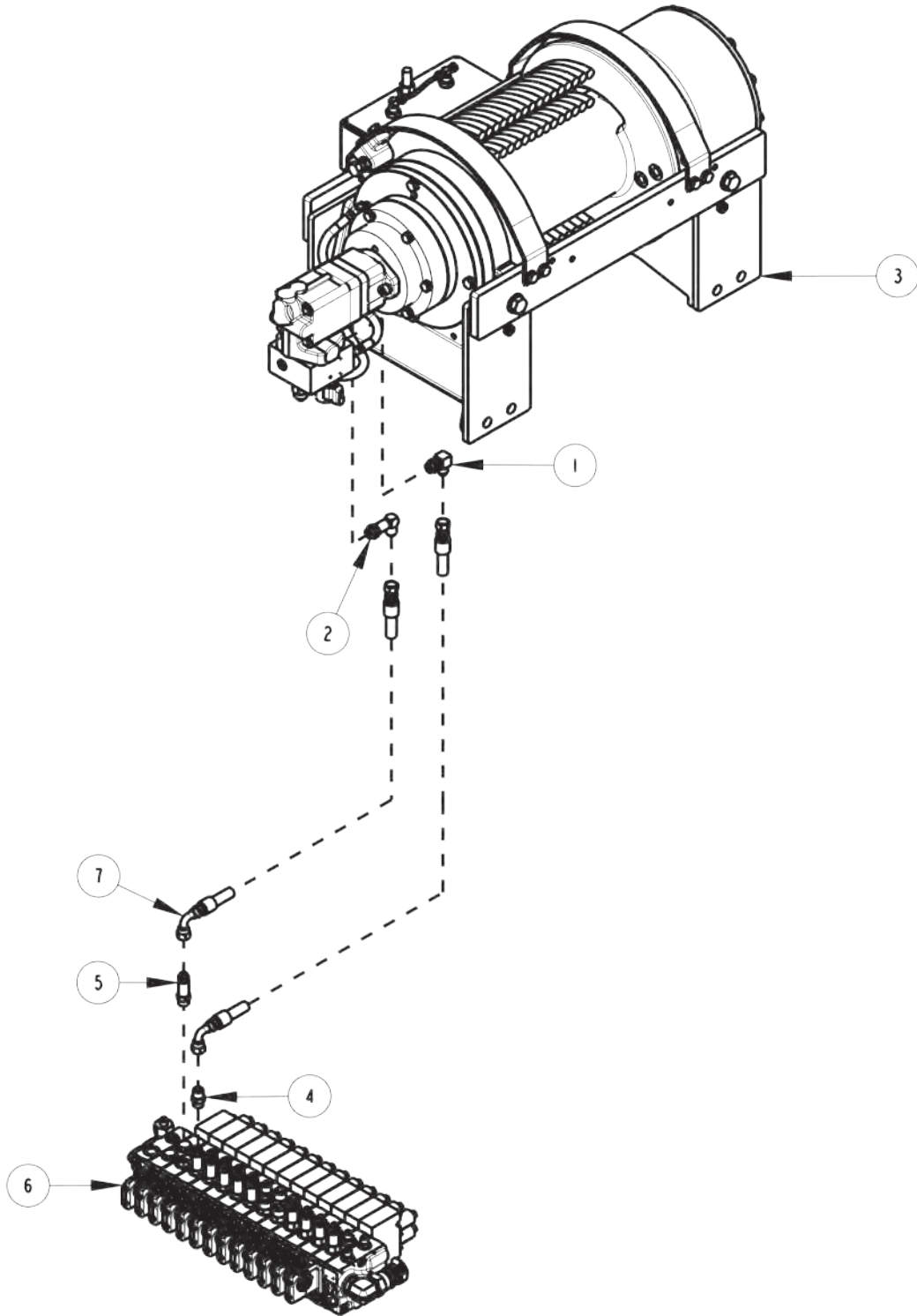
## Section I - PARTS

### DRAG WINCH ASSEMBLY

ITEM	PART NUMBER	DESCRIPTION	QTY
--	0907892	BASIC UNIT-DRAG WINCH 50K 2 SP	--
1	0300113	GREASE FITTING, 1/4-28 STR	1
2	0303505	WINCH-dp MODEL S50-50K (2)SPD	1
3	0400133	SCREW, 3/8-16X3 HHC GR5	1
4	0400177	SCREW, 1/2-13X1-1/4 HHC GR5	2
5	0400392	NUT, 3/8-16 LOK	1
6	0400408	NUT, 1/2-13 LOK	2
7	0400554	PIN, 3/8X1 SPR	3
8	0806767	SUPPORT BRKT SHEAVE HEAD SINGL	1
9	0810500	CABLE TIE BACK WLMT	1
10	0906532	SWIVEL - BOOM ASSEMBLY	1
11	9048800	5/8 WELDLESS CHAIN LINK	1
12	945030007	CABLE TIE BACK SPRING-1	1
--	0908540	BRACKET SUPT, CABLE GUIDE DRAG	--
13	0400044	SCREW, 10X1/2 DRV	4
14	0703277	PAD, SLIDER	1
15	0806931	BRACKET SUPT, CABLE GUIDE DRAG	1

# Section I - PARTS

## DRAG WINCH HYDRAULICS



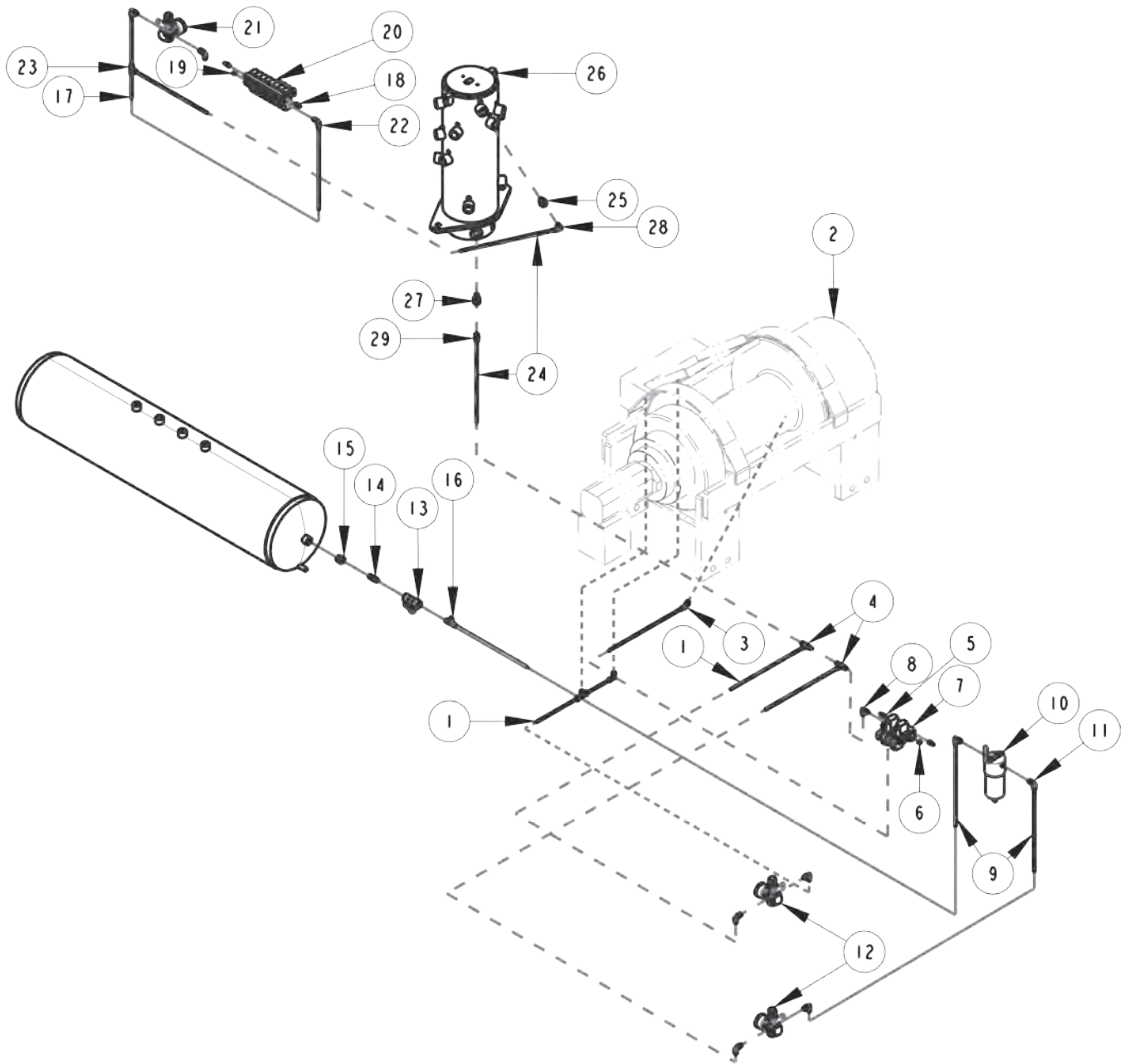
# Section I - PARTS

## DRAG WINCH HYDRAULICS

ITEM	PART NUMBER	DESCRIPTION	QTY
--	0907892	BASIC UNIT-DRAG WINCH 50K 2 SP	--
1	0301388	FITTING, 90ELL, 8MJ-8MB90	1
2	0302508	FITTING, ELL 8MJ-8MB 90LL	1
3	0303505	WINCH-dp MODEL S50-50K (2)SPD	1
--	0911317	WALVOIL VALVE ASSEMBLY 5 WINCH ROT	--
4	0300041	FITTING, CONNECTOR 8MJ-8MB	6
5	0301445	FITTING, EXTENDED	6
6	0311130	VALVE-CONTROL 13 SPOOL ROTATOR	1
--	0911318	HOSE KIT-WV PROP 5 WINCH	--
7	AWS-6821-A	HOSE ASSY-PRESSURE	10

# Section I - PARTS

## DRAG WINCH PNEUMATICS



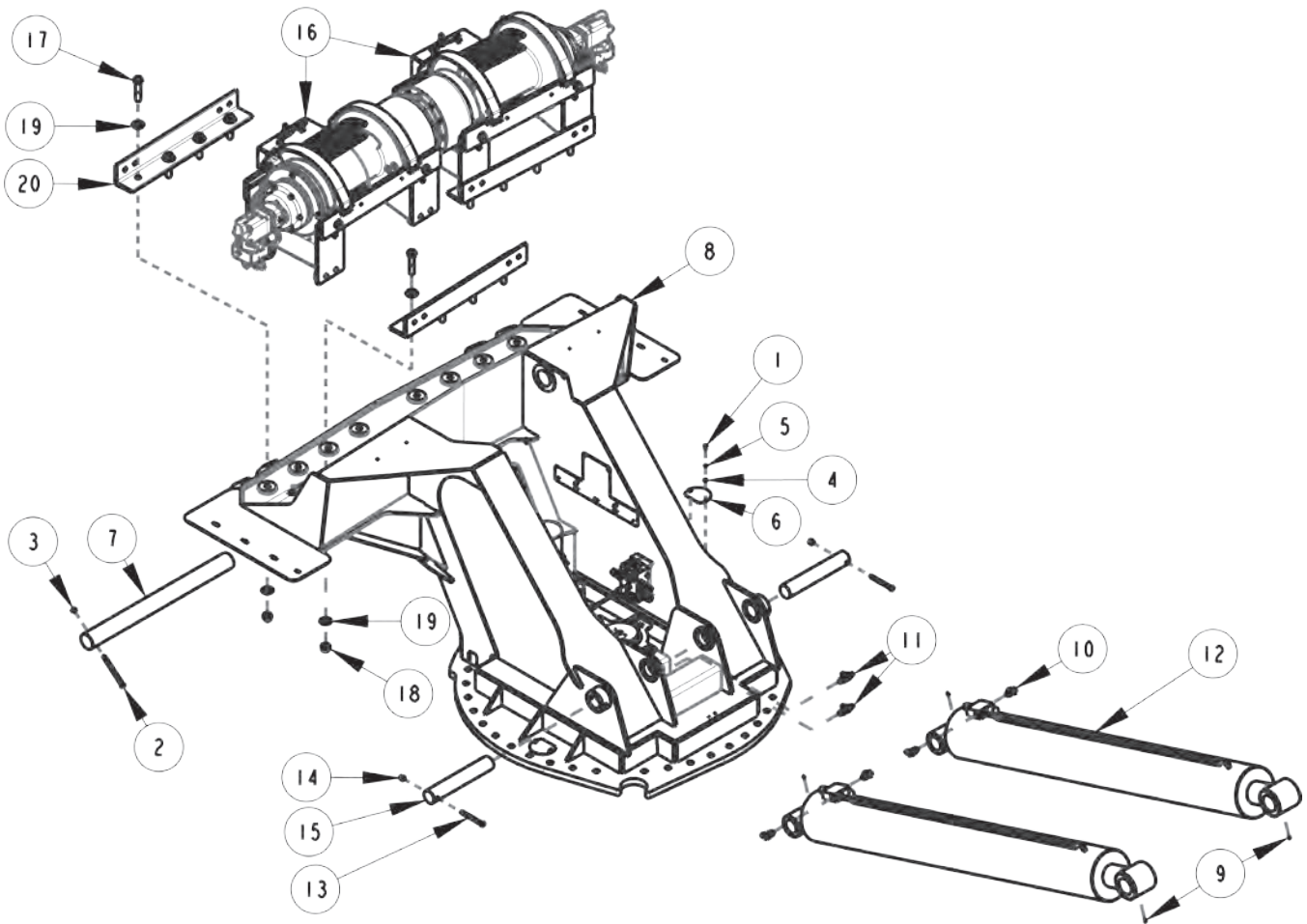
# Section I - PARTS

## DRAG WINCH PNEUMATICS

ITEM	PART NUMBER	DESCRIPTION	QTY
--	0907892	BASIC UNIT-DRAG WINCH 50K 2 SP	--
1	0301577	1/4 OD PLASTIC AIRLINE, BLACK	15FT
--	0302495	CONVOLUTED LOOM 1/4	15FT
2	0303505	WINCH-dp MODEL S50-50K (2)SPD	2
3	9010520	FITTING-ELBOW 1/4T-1/4NPT	1
--	0908432	ROTATOR PINLOCK ASSY	--
4	9011071	FITT, BRASS TEE 1/4T-1/4T-1/4T	3
--	0908765	KIT, PINLOCK AIR PARTS,ROTATOR	--
5	0302677	BREATHER VENT 1/8 MP	2
6	0306977	FITTING BRASS PLUG 1/8	1
7	0310192	AIR SOL STK 12VDC 4 BANK	1
8	9010030	FITT, BRASS ELBOW 1/4T-1/8MPX	4
--	0911812	WATER SEPARATOR KIT	--
9	0301577	1/4 OD PLASTIC AIRLINE, BLACK	1FT
10	0311755	WATER SEPARATOR-MONNIER	1
11	9010520	FITTING-ELBOW 1/4T-1/4NPT	2
12	0911804	AIR REGULATOR-GAUGE ASSEMBLY	2
--	0911551	SHIP KIT 1150	--
13	0301621	PRESSURE PROTECTION VLV.	1
14	0302123	HEX NIPPLE 4MP-4MP	1
15	0302125	PIPE, BUSHING 1/2MPT X 1/4FPT	1
16	0306983	FITT-MALE RUNTEE 1/4T-1/4NPT	1
--	0911552	AIR VALVE PLATE ASSY 1150 12V	--
17	0301577	1/4 OD PLASTIC AIRLINE, BLACK	5FT
--	0302495	CONVOLUTED LOOM 1/4	5FT
18	0302677	BREATHER VENT 1/8 MP	2
19	0306977	FITTING BRASS PLUG 1/8	1
20	0310141	SOLENOID, AIR 12V STK 8 BANK	1
21	0911804	AIR REGULATOR-GAUGE ASSEMBLY	1
22	9010030	FITT, BRASS ELBOW 1/4T-1/8MPX	1
23	9011071	FITT, BRASS TEE 1/4T-1/4T-1/4T	1
--	0911887	KIT, SWIVEL PKG HYD ROTARY	--
24	0301577	1/4 OD PLASTIC AIRLINE, BLACK	18FT
--	0302495	CONVOLUTED LOOM 1/4	18FT
25	0307106	FITT, CONNECTOR 4MB-6FB	1
26	0310083	SWIVEL, HYDRAULIC	1
27	0310132	FITTING, HYD 4MB-4FP	2
28	9010520	FITTING-ELBOW 1/4T-1/4NPT	1
29	9011053	FITTING, BRASS 1/4 TUBE-1/4 MP	1

# Section I - PARTS

## WRECKER FRAME ASSEMBLY (NO SIDE DRAG WINCH OPTION)



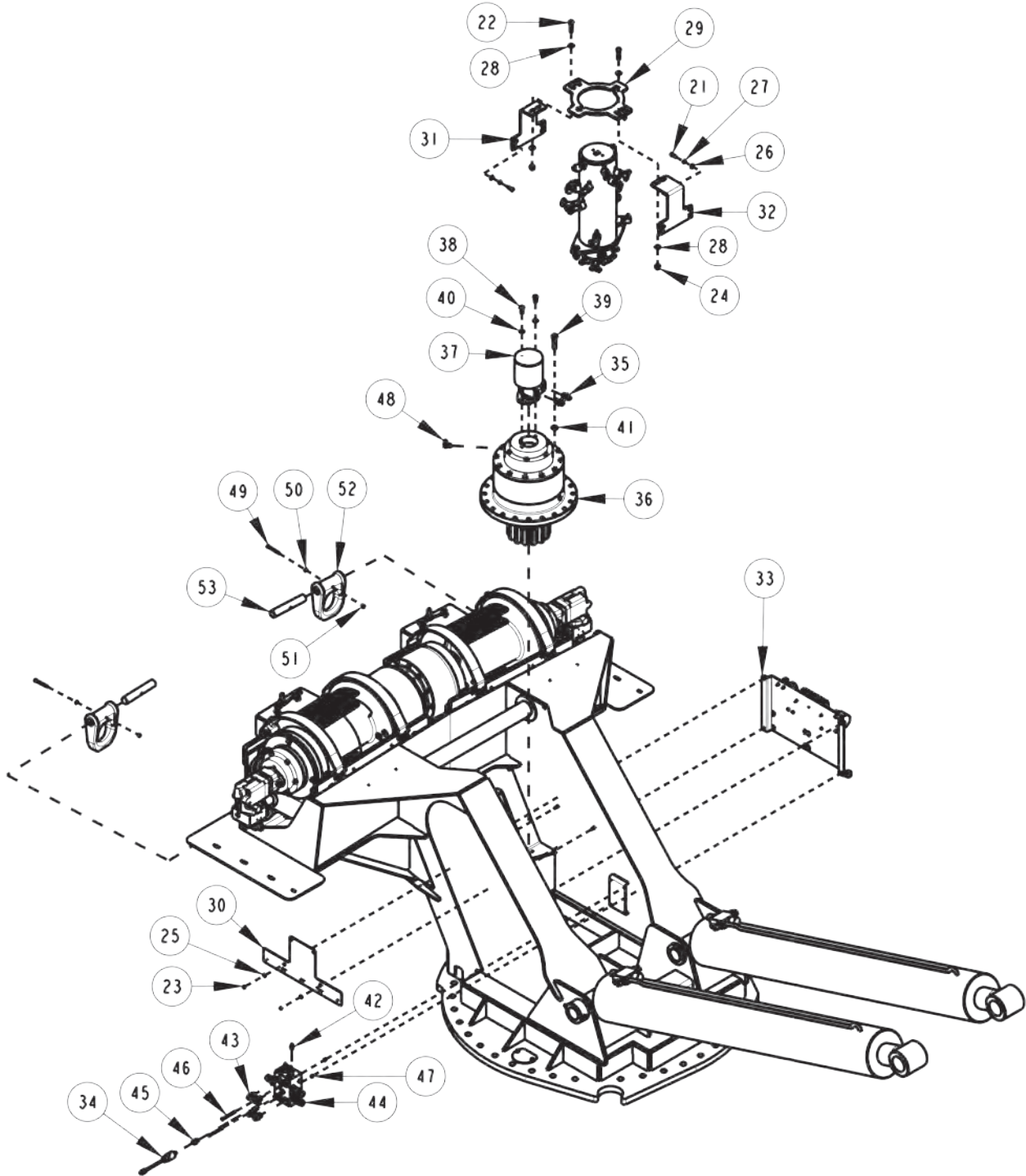
## Section I - PARTS

### WRECKER FRAME ASSEMBLY (NO SIDE DRAG WINCH OPTION)

ITEM	PART NUMBER	DESCRIPTION	QTY
--	0911548	WRECKER FRAME ASSEMBLY 1150 12V	--
1	040066	1/4-20 X 3/4 HHCS GR.5,ZP	4
2	0400180	1/2-16 x 6 HHSCS GR5 ZP	1
3	0400408	1/2-13 NYLOCK HEX NUT ZP	1
4	0400451	1/4 FLAT WASHER ZP	4
5	0400452	1/4 HELICAL LOCKWASHER ZP	4
6	0719162	PLATE, ACCESS COVER	2
7	0722103	SHAFT - BOOM PIVOT	1
8	0810223	WRECKER FRAME WELDMENT	1
--	0911549	LIFT CYL ASSEMBLY 1150	--
9	0300113	GREASE FITTING, 1/4-28 STRAIGHT SS	4
10	0301388	ELBOW, 8MJ-8MB90	4
11	0302574	BULKHEAD RUN TEE W/NUT, 8MJ	2
12	0307629	CYLINDER - BOOM LIFT	2
13	0400206	1/2-13 X 5 HHCS GR.5, ZP	2
14	0400408	1/2-13 NYLOCK HEX NUT ZP	2
15	0718495	SHAFT-LIFT CYL PIVOT (FRAME)	2
--	0911454	WINCH ASSEMBLY 1150	--
16	0303505	WINCH-dp MODEL S50-50K (2)SPD	2
17	0400307	SCREW, 7/8-9X4 HHC GR8	16
18	0400437	NUT, 7/8-9 LOK GR8	16
19	0400473	WASHER, 7/8 PL GR8	16
20	0724984	ANGLE, WINCH MTG MR40-SA	4

# Section I - PARTS

## WRECKER FRAME ASSEMBLY (NO SIDE DRAG WINCH OPTION)



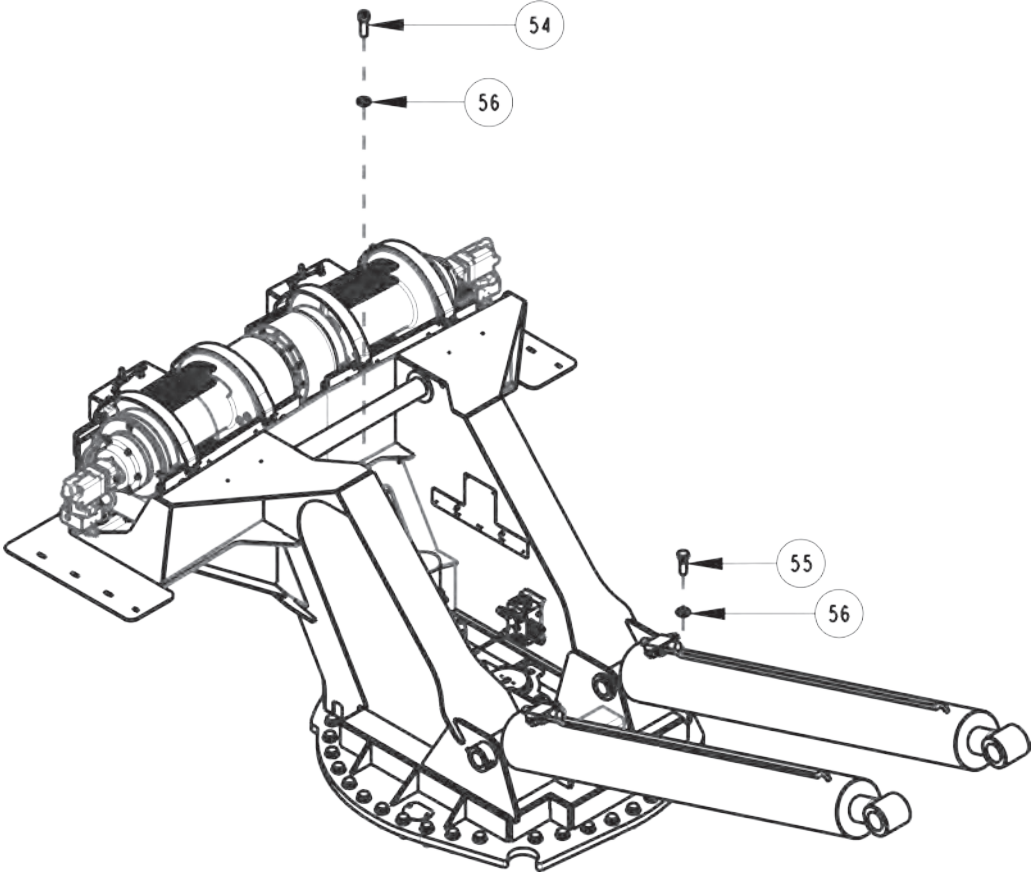


## Section I - PARTS

### WRECKER FRAME ASSEMBLY (NO SIDE DRAG WINCH OPTION)

ITEM	PART NUMBER	DESCRIPTION	QTY
--	0911548	WRECKER FRM ASSEMBLY 1150 12V	--
21	0400126	3/8-16 X 1 HHCS GR.5,ZP	8
22	0400188	1/2-13x2 HHCS GR 5 ZP	4
23	0400367	NUT, 1/4-20 LOK	2
24	0400408	NUT, 1/2"-13 HEX NYLOK	4
25	0400451	1/4 FLAT WASHER ZP	2
26	0400480	WASHER, 3/8" FLAT	8
27	0400482	3/8 HELICAL LOCKWASHER ZP	10
28	0400492	WASHER, 1/2" FLAT	8
29	0726417	PLATE - SWIVEL LOCK	1
30	0726421	OMNEX PANEL	1
31	0726422	ANGLE, SWIVEL LOCK	1
32	0726423	LONG ANGLE, SWIVEL LOCK	1
33	0911552	AIR VALVE PLATE ASSEMBLY 1150 12V	1
--	0910107	KIT, SWING ALARM	--
34	0310318	SWITCH - PRESSURE	1
--	0911359	SWING DRIVE W/ INTERNAL BRAKE	--
35	0301376	CONNECTOR 8MJx10MB	2
36	0311453	PLANETARY GEARBOX	1
37	0311454	HYDRAULIC MOTOR, PARKER	1
38	0400176	1/2-13 X 1 HHCS GR.5,ZP	2
39	0400254	5/8-11 X 2.5 HHCS GR 5 ZP	16
40	0400491	1/2 HELICAL LOCKWASHER ZP	2
41	0400508	5/8 HELICAL LOCKWASHER ZP	16
42	HC1291	FITTING, 4MJ-4MB STR THR	1
--	0907994	SWING VALVE KIT (1060S)	--
43	0301376	CONNECTOR 8 MJ - 10 MB	4
44	0307396	SWING CONTROL VALVE	1
45	0310634	FITTING 6MB-4FP	1
46	0400081	1/4-20 x 3-1/2 Lg. HHCS Gr.5	2
47	0400367	1/4-20 NYLOCK HEX NUT ZP	2
48	IC209	ELBOW, 4MB-6MJ90	1
--	0911957	KIT, D-RING PARTS	--
49	0400107	SCREW, 5/16-18X2-1/2 HHC GR5	2
50	0400451	WASHER, 1/4	2
51	0400776	NUT, 5/16-18 JAM LOK	2
52	0719585	D-RING, TOWING	2
53	GA0215	PIN-"D" RING	2
--	0903042	KIT - WRECKER MOUNTING	--
54	0400318	SCREW, 1-8X3 SHC	2
55	0400336	SCREW, 1-8X3 HHC GR8	31
56	0400522	WASHER, 1-1/16X2X1/8	67

**Section I - PARTS**  
**WRECKER FRAME ASSEMBLY (NO SIDE DRAG WINCH OPTION)**



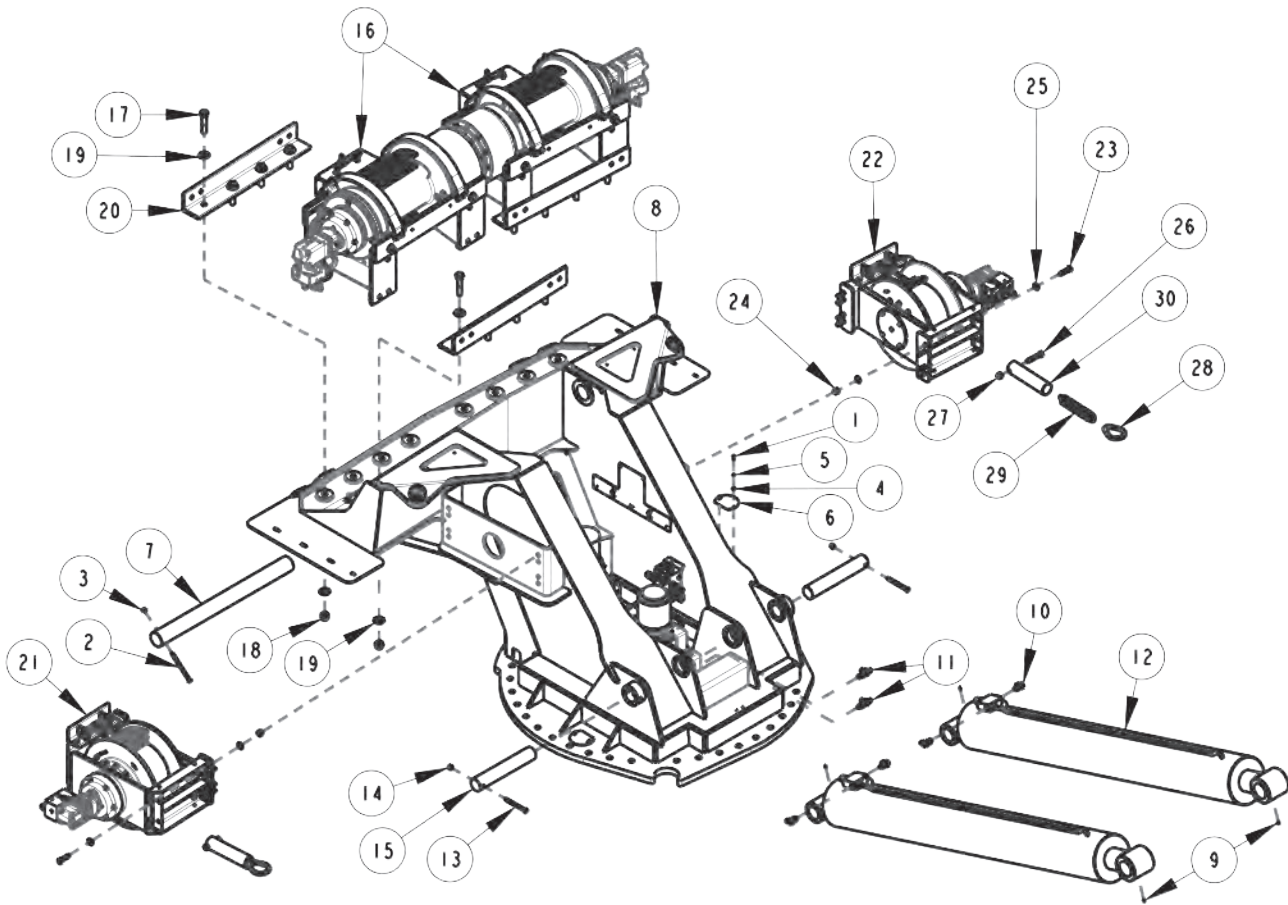
## Section I - PARTS

### WRECKER FRAME ASSEMBLY (NO SIDE DRAG WINCH OPTION)

ITEM	PART NUMBER	DESCRIPTION	QTY
--	0911548	WRECKER FRM ASSEMBLY 1150 12V	--
21	0400126	3/8-16 X 1 HHCS GR.5,ZP	8
22	0400188	1/2-13x2 HHCS GR 5 ZP	4
23	0400367	NUT, 1/4-20 LOK	2
24	0400408	NUT, 1/2"-13 HEX NYLOK	4
25	0400451	1/4 FLAT WASHER ZP	2
26	0400480	WASHER, 3/8" FLAT	8
27	0400482	3/8 HELICAL LOCKWASHER ZP	10
28	0400492	WASHER, 1/2" FLAT	8
29	0726417	PLATE - SWIVEL LOCK	1
30	0726421	OMNEX PANEL	1
31	0726422	ANGLE, SWIVEL LOCK	1
32	0726423	LONG ANGLE, SWIVEL LOCK	1
33	0911552	AIR VALVE PLATE ASSEMBLY 1150 12V	1
--	0910107	KIT, SWING ALARM	--
34	0310318	SWITCH - PRESSURE	1
--	0911359	SWING DRIVE W/ INTERNAL BRAKE	--
35	0301376	CONNECTOR 8MJx10MB	2
36	0311453	PLANETARY GEARBOX	1
37	0311454	HYDRAULIC MOTOR, PARKER	1
38	0400176	1/2-13 X 1 HHCS GR.5,ZP	2
39	0400254	5/8-11 X 2.5 HHCS GR 5 ZP	16
40	0400491	1/2 HELICAL LOCKWASHER ZP	2
41	0400508	5/8 HELICAL LOCKWASHER ZP	16
42	HC1291	FITTING, 4MJ-4MB STR THR	1
--	0907994	SWING VALVE KIT (1060S)	--
43	0301376	CONNECTOR 8 MJ - 10 MB	4
44	0307396	SWING CONTROL VALVE	1
45	0310634	FITTING 6MB-4FP	1
46	0400081	1/4-20 x 3-1/2 Lg. HHCS Gr.5	2
47	0400367	1/4-20 NYLOCK HEX NUT ZP	2
48	IC209	ELBOW, 4MB-6MJ90	1
--	0911957	KIT, D-RING PARTS	--
49	0400107	SCREW, 5/16-18X2-1/2 HHC GR5	2
50	0400451	WASHER, 1/4	2
51	0400776	NUT, 5/16-18 JAM LOK	2
52	0719585	D-RING, TOWING	2
53	GA0215	PIN-"D" RING	2
--	0903042	KIT - WRECKER MOUNTING	--
54	0400318	SCREW, 1-8X3 SHC	2
55	0400336	SCREW, 1-8X3 HHC GR8	31
56	0400522	WASHER, 1-1/16X2X1/8	67

# Section I - PARTS

## WRECKER FRAME ASSEMBLY (DUAL DRAG WINCH OPTION)



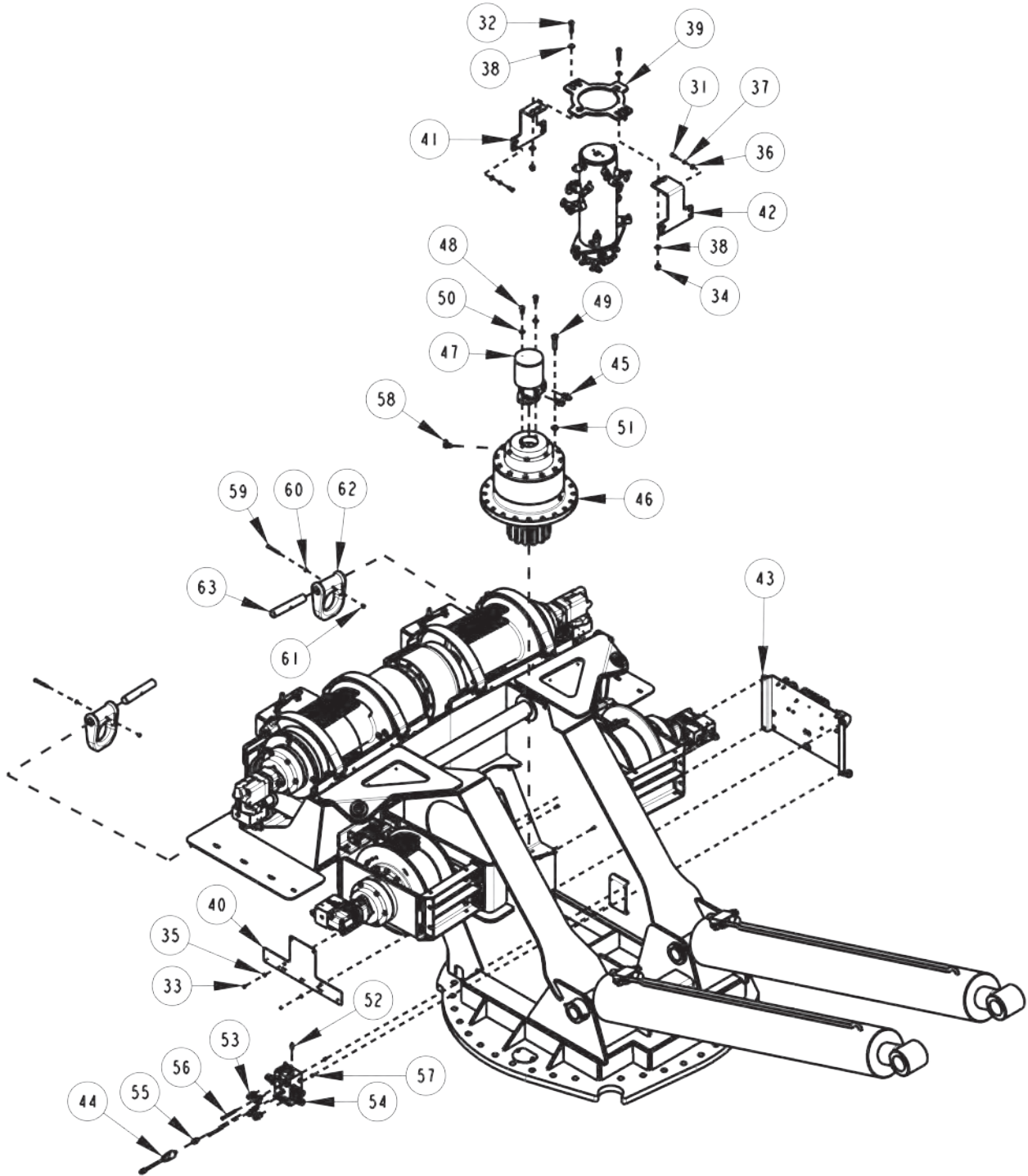
## Section I - PARTS

### WRECKER FRAME ASSEMBLY (DUAL DRAG WINCH OPTION)

ITEM	PART NUMBER	DESCRIPTION	QTY
--	0911548	WRECKER FRM ASSEMBLY 1150 12V	--
1	0400066	1/4-20 X 3/4 HHCS GR.5,ZP	4
2	0400180	1/2-16 x 6 HHCSCS GR5 ZP	1
3	0400408	1/2-13 NYLOCK HEX NUT ZP	1
4	0400451	1/4 FLAT WASHER ZP	4
5	0400452	1/4 HELICAL LOCKWASHER ZP	4
6	0719162	PLATE, ACCESS COVER	2
7	0722103	SHAFT - BOOM PIVOT	1
8	0810223	WRECKER FRAME WELDMENT	1
--	0911549	LIFT CYL ASSEMBLY 1150	--
9	0300113	GREASE FITTING, 1/4-28 STRAIGHT SS	4
10	0301388	ELBOW, 8MJ-8MB90	4
11	0302574	BULKHEAD RUN TEE W/NUT, 8MJ	2
12	0307629	CYLINDER - BOOM LIFT	2
13	0400206	1/2-13 X 5 HHCS GR.5, ZP	2
14	0400408	1/2-13 NYLOCK HEX NUT ZP	2
15	0718495	SHAFT-LIFT CYL PIVOT (FRAME)	2
--	0911454	WINCH ASSEMBLY 1150	--
16	0303505	WINCH-dp MODEL S50-50K (2)SPD	2
17	0400307	SCREW, 7/8-9X4 HHC GR8	16
18	0400437	NUT, 7/8-9 LOK GR8	16
19	0400473	WASHER, 7/8 PL GR8	16
20	0724984	ANGLE, WINCH MTG MR40-SA	4
--	0911591	BUA 22K DRAG WINCH 1150	--
21	0310679	WINCH,LH DP 22K-MTVR-SIDE MTG	1
22	0310680	WINCH,RH DP 22K-MTVR-SIDE MTG	1
--	0910539	KIT, WINCH MOUNTING 22K	--
23	0400274	SCREW, 5/8-11X2 HHC GR8	16
24	0400426	NUT, 5/8-11 LOK GR8	16
25	0400503	WASHER, 5/8 GR8	16
--	0910966	KIT-WINCH CABLE STORAGE-BOLTED	--
26	0400257	5/8-11 x 3-1/4 HHCS GR5 ZP	2
27	0400421	5/8-11 NYLOCK HEX NUT ZP	2
28	9048800	5/8 WELDLESS CHAIN LINK	2
29	945030007	SPRING - CABLE TIEBACK	2
30	945292002	SPRING HOUSING	2

# Section I - PARTS

## WRECKER FRAME ASSEMBLY (DUAL DRAG WINCH OPTION)



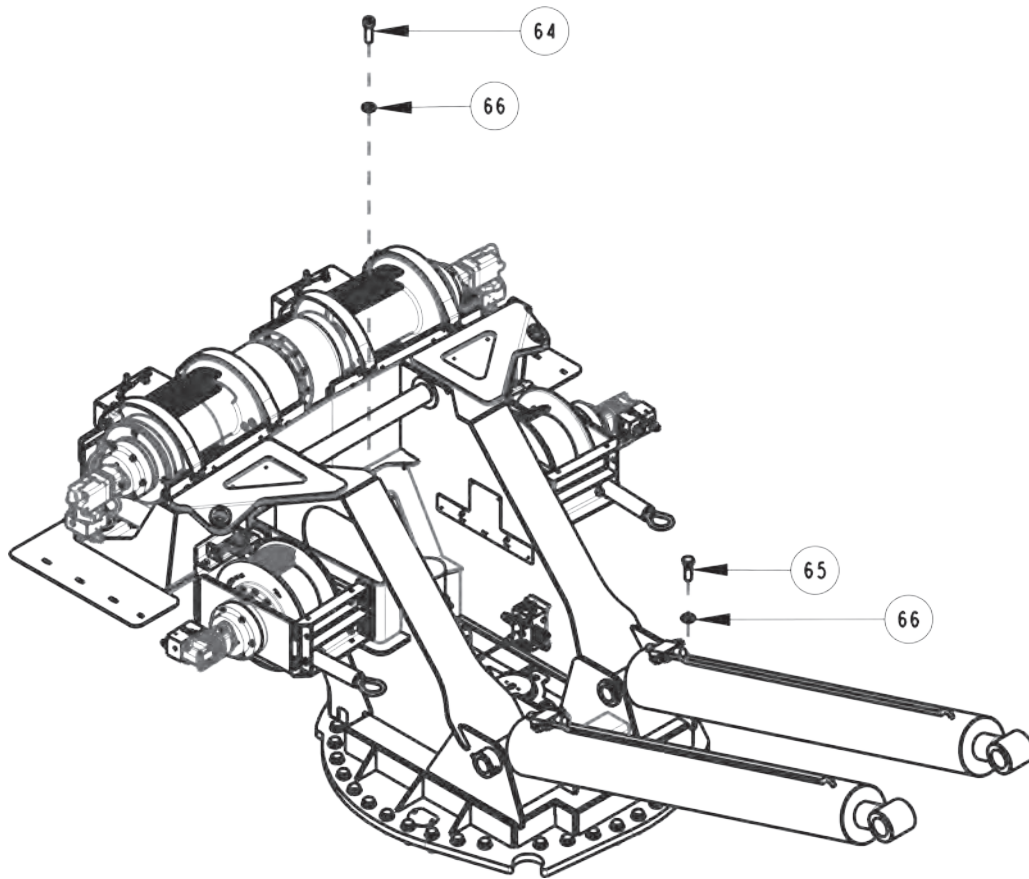
## Section I - PARTS

### WRECKER FRAME ASSEMBLY (DUAL DRAG WINCH OPTION)

ITEM	PART NUMBER	DESCRIPTION	QTY
--	0911548	WRECKER FRM ASSEMBLY 1150 12V	--
31	0400126	3/8-16 X 1 HHCS GR.5,ZP	8
32	0400188	1/2-13x2 HHCS GR 5 ZP	4
33	0400367	NUT, 1/4-20 LOK	2
34	0400408	NUT, 1/2"-13 HEX NYLOK	4
35	0400451	1/4 FLAT WASHER ZP	2
36	0400480	WASHER, 3/8" FLAT	8
37	0400482	3/8 HELICAL LOCKWASHER ZP	10
38	0400492	WASHER, 1/2" FLAT	8
39	0726417	PLATE - SWIVEL LOCK	1
40	0726421	OMNEX PANEL	1
41	0726422	ANGLE, SWIVEL LOCK	1
42	0726423	LONG ANGLE, SWIVEL LOCK	1
43	0911552	AIR VALVE PLATE ASSEMBLY 1150 12V	1
--	0910107	KIT, SWING ALARM	--
44	0310318	SWITCH - PRESSURE	1
--	0911359	SWING DRIVE W/ INTERNAL BRAKE	--
45	0301376	CONNECTOR 8MJx10MB	2
46	0311453	PLANETARY GEARBOX	1
47	0311454	HYDRAULIC MOTOR, PARKER	1
48	0400176	1/2-13 X 1 HHCS GR.5,ZP	2
49	0400254	5/8-11 X 2.5 HHCS GR 5 ZP	16
50	0400491	1/2 HELICAL LOCKWASHER ZP	2
51	0400508	5/8 HELICAL LOCKWASHER ZP	16
52	HC1291	FITTING, 4MJ-4MB STR THR	1
--	0907994	SWING VALVE KIT (1060S)	--
53	0301376	CONNECTOR 8 MJ - 10 MB	4
54	0307396	SWING CONTROL VALVE	1
55	0310634	FITTING 6MB-4FP	1
56	0400081	1/4-20 x 3-1/2 Lg. HHCS Gr.5	2
57	0400367	1/4-20 NYLOCK HEX NUT ZP	2
58	IC209	ELBOW, 4MB-6MJ90	1
--	0911957	KIT, D-RING PARTS	--
59	0400107	SCREW, 5/16-18X2-1/2 HHC GR5	2
60	0400451	WASHER, 1/4	2
61	0400776	NUT, 5/16-18 JAM LOK	2
62	0719585	D-RING, TOWING	2
63	GA0215	PIN-"D" RING	2
--	0903042	KIT - WRECKER MOUNTING	--
64	0400318	SCREW, 1-8X3 SHC	2
65	0400336	SCREW, 1-8X3 HHC GR8	31
66	0400522	WASHER, 1-1/16X2X1/8	67

**Section I - PARTS**

**WRECKER FRAME ASSEMBLY (DUAL DRAG WINCH OPTION)**





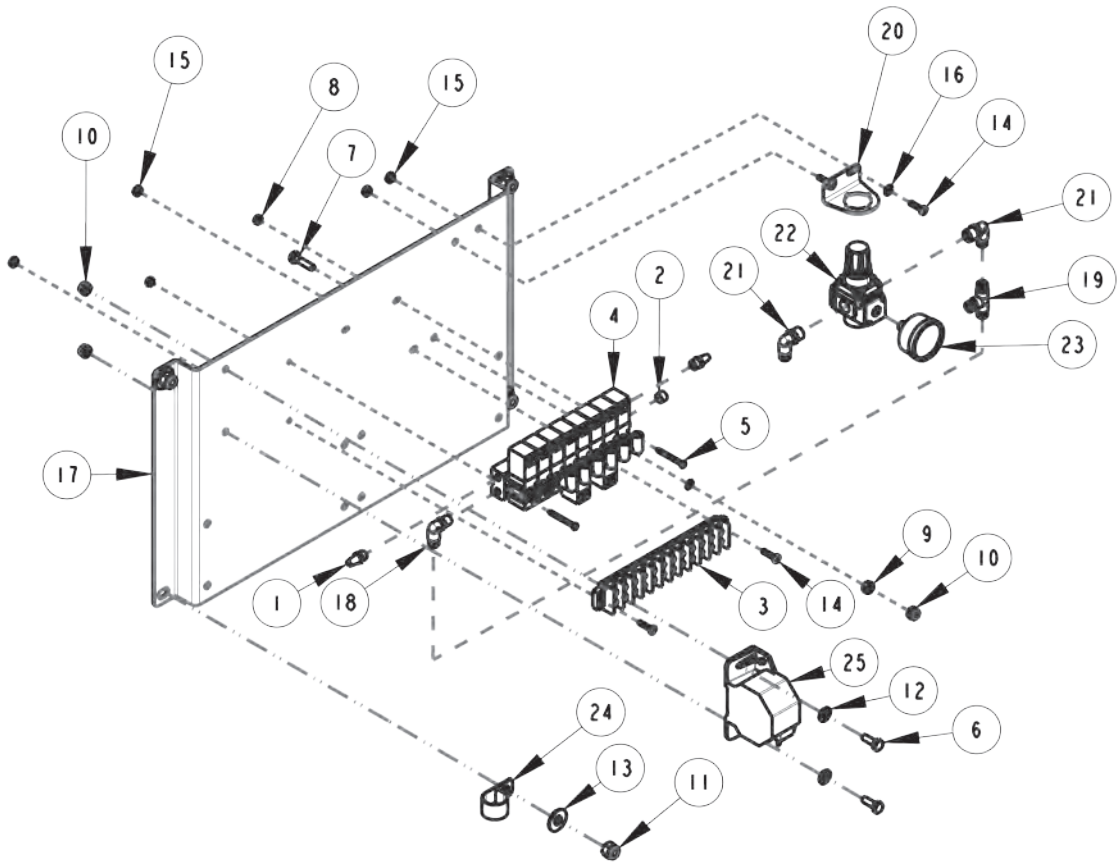
## Section I - PARTS

### WRECKER FRAME ASSEMBLY (DUAL DRAG WINCH OPTION)

ITEM	PART NUMBER	DESCRIPTION	QTY
--	0911548	WRECKER FRM ASSEMBLY 1150 12V	--
31	0400126	3/8-16 X 1 HHCS GR.5,ZP	8
32	0400188	1/2-13x2 HHCS GR 5 ZP	4
33	0400367	NUT, 1/4-20 LOK	2
34	0400408	NUT, 1/2"-13 HEX NYLOK	4
35	0400451	1/4 FLAT WASHER ZP	2
36	0400480	WASHER, 3/8" FLAT	8
37	0400482	3/8 HELICAL LOCKWASHER ZP	10
38	0400492	WASHER, 1/2" FLAT	8
39	0726417	PLATE - SWIVEL LOCK	1
40	0726421	OMNEX PANEL	1
41	0726422	ANGLE, SWIVEL LOCK	1
42	0726423	LONG ANGLE, SWIVEL LOCK	1
43	0911552	AIR VALVE PLATE ASSEMBLY 1150 12V	1
--	0910107	KIT, SWING ALARM	--
44	0310318	SWITCH - PRESSURE	1
--	0911359	SWING DRIVE W/ INTERNAL BRAKE	--
45	0301376	CONNECTOR 8MJx10MB	2
46	0311453	PLANETARY GEARBOX	1
47	0311454	HYDRAULIC MOTOR, PARKER	1
48	0400176	1/2-13 X 1 HHCS GR.5,ZP	2
49	0400254	5/8-11 X 2.5 HHCS GR 5 ZP	16
50	0400491	1/2 HELICAL LOCKWASHER ZP	2
51	0400508	5/8 HELICAL LOCKWASHER ZP	16
52	HC1291	FITTING, 4MJ-4MB STR THR	1
--	0907994	SWING VALVE KIT (1060S)	--
53	0301376	CONNECTOR 8 MJ - 10 MB	4
54	0307396	SWING CONTROL VALVE	1
55	0310634	FITTING 6MB-4FP	1
56	0400081	1/4-20 x 3-1/2 Lg. HHCS Gr.5	2
57	0400367	1/4-20 NYLOCK HEX NUT ZP	2
58	IC209	ELBOW, 4MB-6MJ90	1
--	0911957	KIT, D-RING PARTS	--
59	0400107	SCREW, 5/16-18X2-1/2 HHC GR5	2
60	0400451	WASHER, 1/4	2
61	0400776	NUT, 5/16-18 JAM LOK	2
62	0719585	D-RING, TOWING	2
63	GA0215	PIN-"D" RING	2
--	0903042	KIT - WRECKER MOUNTING	--
64	0400318	SCREW, 1-8X3 SHC	2
65	0400336	SCREW, 1-8X3 HHC GR8	31
66	0400522	WASHER, 1-1/16X2X1/8	67

# Section I - PARTS

## AIR PLATE ASSEMBLY



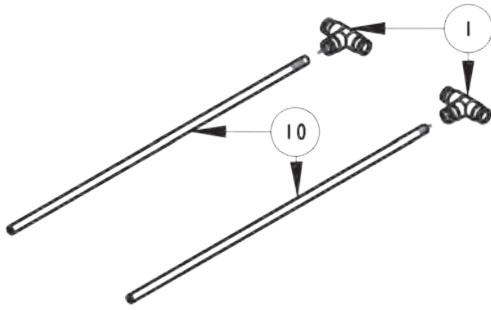
# Section I - PARTS

## AIR PLATE ASSEMBLY

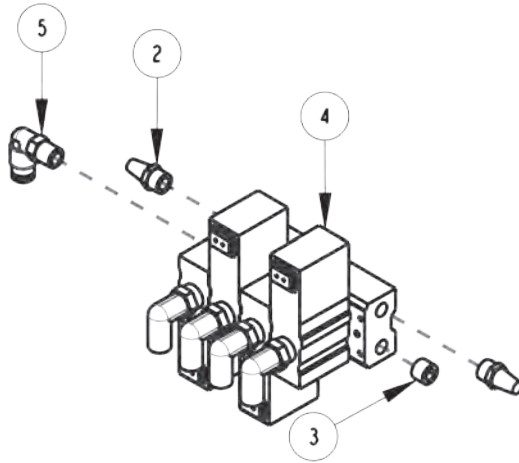
ITEM	PART NUMBER	DESCRIPTION	QTY
--	0911552	AIR VALVE PLATE ASSEMBLY 1150 12V	--
1	0302677	BREATHER VENT 1/8 MP	2
2	0306977	FITTING BRASS PLUG 1/8	5
3	0306978	TERMINAL BLOCK W/SCREW	1
4	0310141	SOLENOID, AIR 12V STK 8 BANK	1
5	0400009	SCREW, 8-32X1-1/2 PRH SS	2
6	0400066	SCREW, 1/4-20X3/4 HHC GR5	6
7	0400070	SCREW, 1/4-20X1 HHC GR5	1
8	0400351	NUT, 8-32 HEX	2
9	0400366	NUT, 1/4-20 HEX	1
10	0400367	NUT, 1/4-20 LOCK	6
11	0400392	NUT, 3/8-16 LOCK	4
12	0400451	WASHER, 1/4	2
13	0400480	WASHER, 3/8	4
14	0400687	SCREW, 10-24X3/4 PRH SS	4
15	0400752	NUT, 10-24 LOK EXT	2
16	0400816	WASHER, M10 SS	2
17	0810233	AIR VALVE MTG PLATE WLD 1150	1
18	9010030	FITTING, BRASS ELBOW 1/4T-1/8MPX	1
19	9011071	FITTING, BRASS TEE 1/4T-1/4T-1/4T	1
--	0911804	AIR REGULATOR-GAUGE ASSEMBLY	--
20	0303365	BRACKET, MOUNTING - AIR PREP	1
21	9010520	FITTING-ELBOW 1/4T-1/4NPT	2
22	HA0131	REGULATOR , AIR	1
23	HA0132	GAUGE 0-160 PSI	1
--	0910107	KIT, SWING ALARM	--
24	0300134	CLAMP, 1" HOSE INSULATED	1
25	0310381	ALARM, SWING (ECCO DT500)	1

# Section I - PARTS

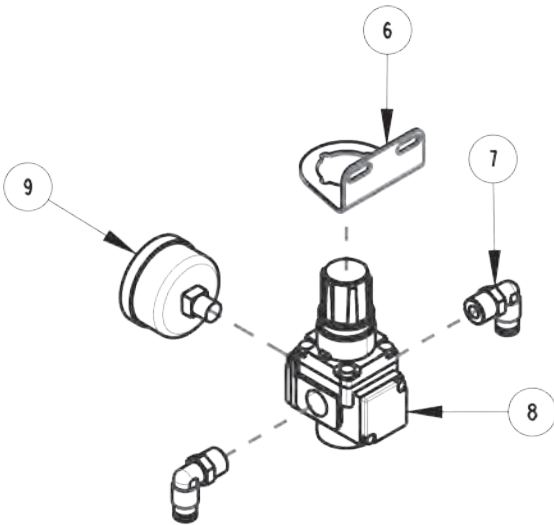
## PNEUMATIC COMPONENTS



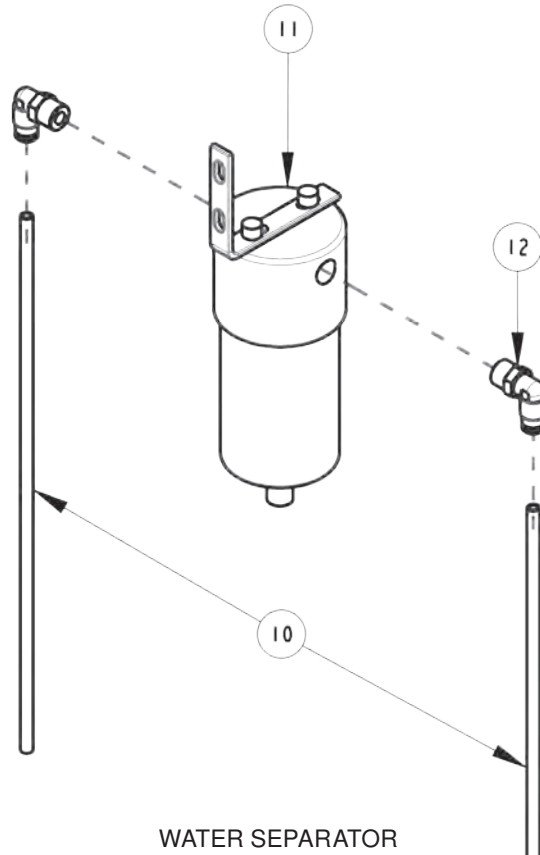
PLASTIC AIRLINE WITH T - CONNECTORS



AIR SOLENOID 12VDC 4 - BANK



AIR REGULATOR WITH GAUGE



WATER SEPARATOR

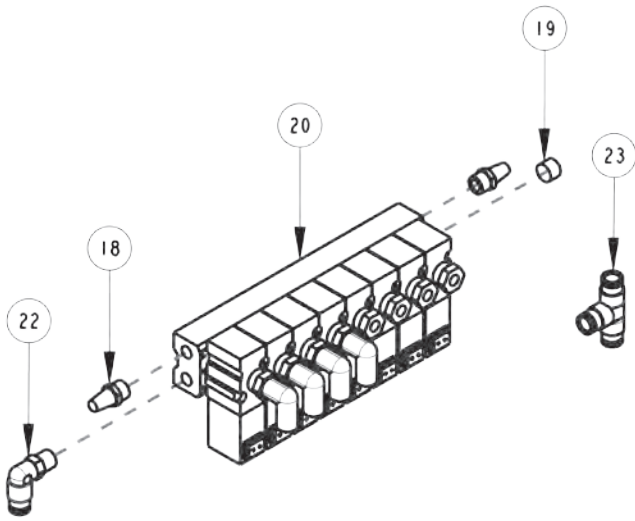
# Section I - PARTS

## PNEUMATIC COMPONENTS

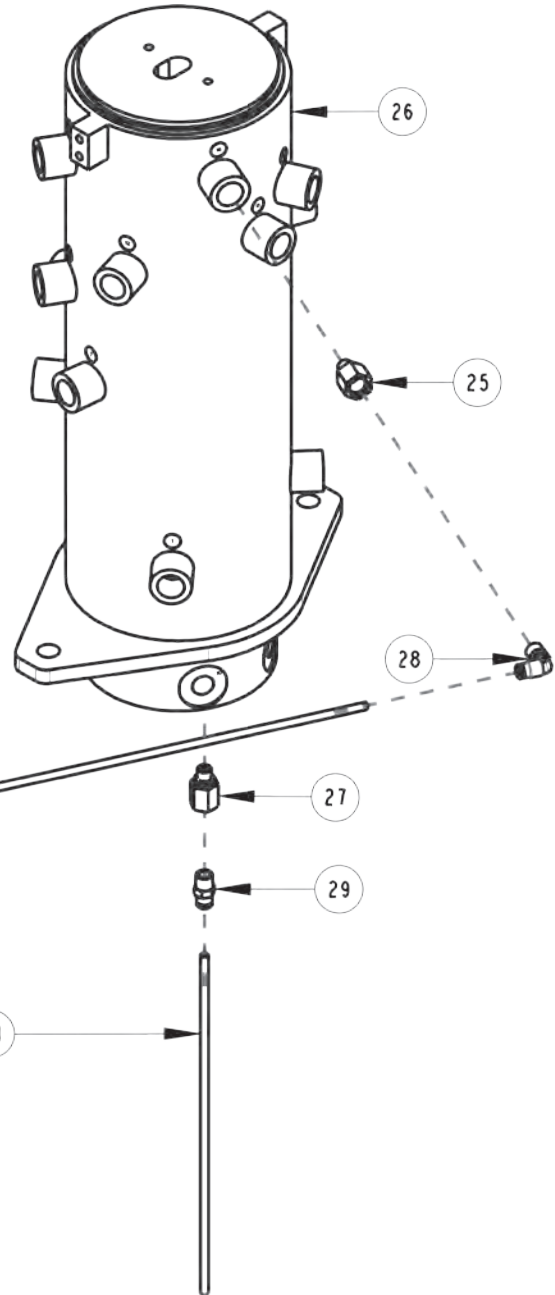
ITEM	PART NUMBER	DESCRIPTION	QTY
--	0908432	ROTATOR PINLOCK ASSY	--
1	9011071	FITT, BRASS TEE 1/4T-1/4T-1/4T	3
--	0908765	KIT, PINLOCK AIR PARTS,ROTATOR	--
2	0302677	BREATHER VENT 1/8 MP	2
3	0306977	FITTING BRASS PLUG 1/8	1
4	0310192	AIR SOL STK 12VDC 4 BANK	1
5	9010030	FITT, BRASS ELBOW 1/4T-1/8MPX	4
--	0911804	AIR REGULATOR-GAUGE ASSEMBLY	--
6	0303365	BRACKET, MOUNTING - AIR PREP	1
7	9010520	FITTING-ELBOW 1/4T-1/4NPT	2
8	HA0131	REGULATOR , AIR	1
9	HA0132	GAUGE 0-160 PSI	1
--	0911812	WATER SEPARATOR KIT	--
10	0301577	1/4 OD PLASTIC AIRLINE, BLACK	1FT
11	0311755	WATER SEPARATOR-MONNIER	1
12	9010520	FITTING-ELBOW 1/4T-1/4NPT	2
--	0911551	SHIP KIT 1150	--
13	0301621	PRESSURE PROTECTION VLV.	1
14	0302123	HEX NIPPLE 4MP-4MP	1
15	0302125	PIPE, BUSHING 1/2MPT X 1/4FPT	1
16	0306983	FITT-MALE RUNTEE 1/4T-1/4NPT	1
--	0911552	AIR VALVE PLATE ASSY 1150 12V	--
17	0301577	1/4 OD PLASTIC AIRLINE, BLACK	5FT
--	0302495	CONVOLUTED LOOM 1/4	5FT
18	0302677	BREATHER VENT 1/8 MP	2
19	0306977	FITTING BRASS PLUG 1/8	1
20	0310141	SOLENOID, AIR 12V STK 8 BANK	1
21	0911804	AIR REGULATOR-GAUGE ASSEMBLY	1
22	9010030	FITT, BRASS ELBOW 1/4T-1/8MPX	1
23	9011071	FITT, BRASS TEE 1/4T-1/4T-1/4T	1
--	0911887	KIT, SWIVEL PKG HYD ROTARY	--
24	0301577	1/4 OD PLASTIC AIRLINE, BLACK	18FT
--	0302495	CONVOLUTED LOOM 1/4	18FT
25	0307106	FITT, CONNECTOR 4MB-6FB	1
26	0310083	SWIVEL, HYDRAULIC	1
27	0310132	FITTING, HYD 4MB-4FP	2
28	9010520	FITTING-ELBOW 1/4T-1/4NPT	1
29	9011053	FITTING, BRASS 1/4 TUBE-1/4 MP	1

# Section I - PARTS

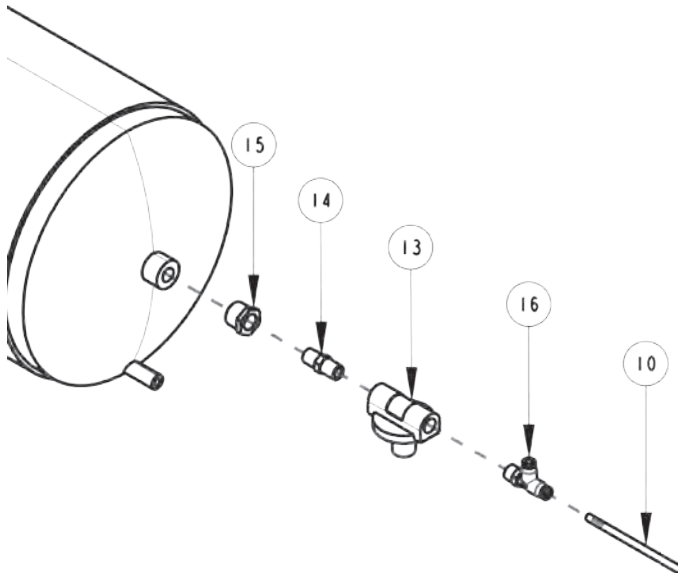
## PNEUMATIC COMPONENTS



AIR SOLENOID 12VDC 8 - BANK



HYDRAULIC SWIVEL AIR CONNECTIONS



TRUCK AIR CONNECTIONS

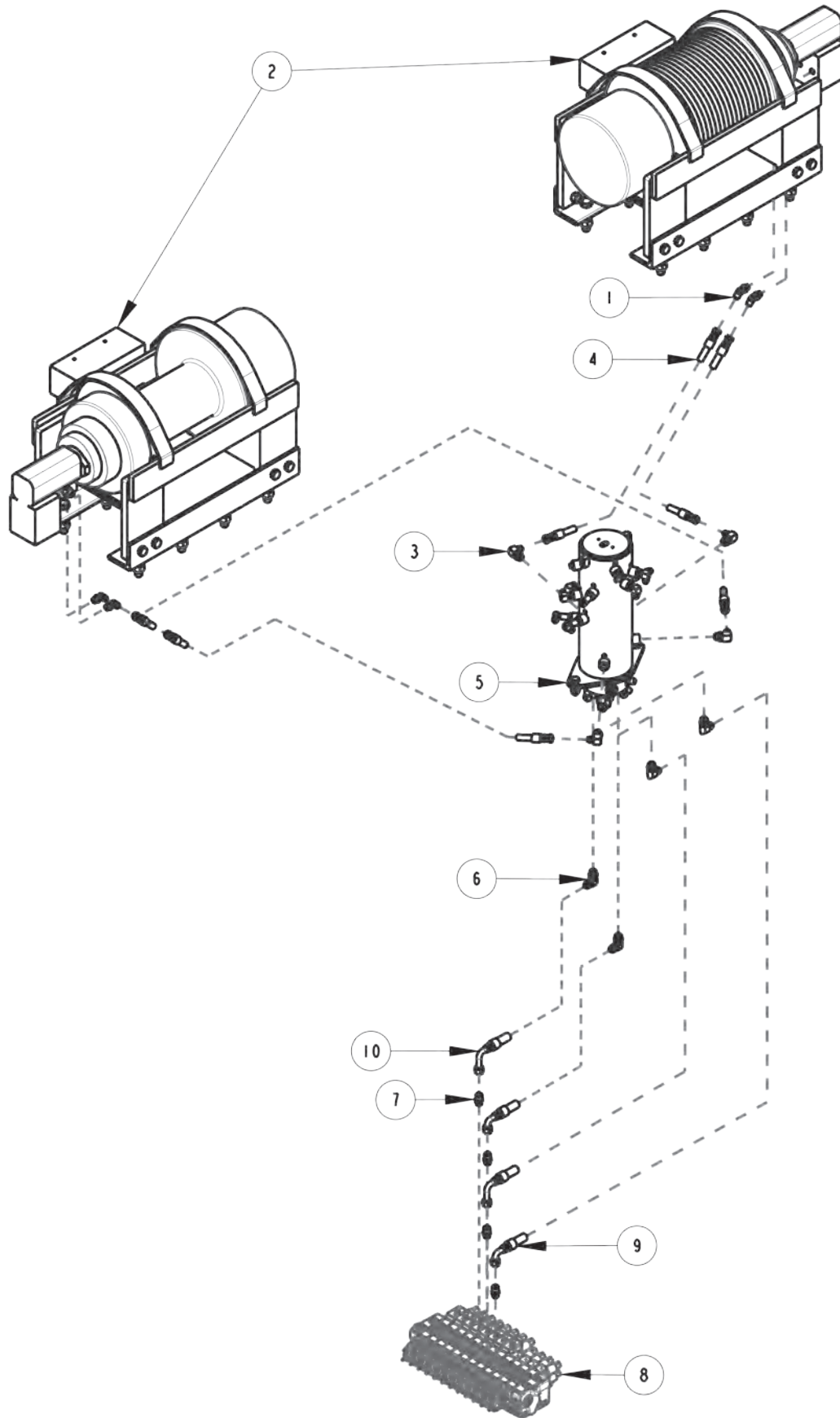
# Section I - PARTS

## PNEUMATIC COMPONENTS

ITEM	PART NUMBER	DESCRIPTION	QTY
--	0908432	ROTATOR PINLOCK ASSY	--
1	9011071	FITT, BRASS TEE 1/4T-1/4T-1/4T	3
--	0908765	KIT, PINLOCK AIR PARTS,ROTATOR	--
2	0302677	BREATHER VENT 1/8 MP	2
3	0306977	FITTING BRASS PLUG 1/8	1
4	0310192	AIR SOL STK 12VDC 4 BANK	1
5	9010030	FITT, BRASS ELBOW 1/4T-1/8MPX	4
--	0911804	AIR REGULATOR-GAUGE ASSEMBLY	--
6	0303365	BRACKET, MOUNTING - AIR PREP	1
7	9010520	FITTING-ELBOW 1/4T-1/4NPT	2
8	HA0131	REGULATOR , AIR	1
9	HA0132	GAUGE 0-160 PSI	1
--	0911812	WATER SEPARATOR KIT	--
10	0301577	1/4 OD PLASTIC AIRLINE, BLACK	1FT
11	0311755	WATER SEPARATOR-MONNIER	1
12	9010520	FITTING-ELBOW 1/4T-1/4NPT	2
--	0911551	SHIP KIT 1150	--
13	0301621	PRESSURE PROTECTION VLV.	1
14	0302123	HEX NIPPLE 4MP-4MP	1
15	0302125	PIPE, BUSHING 1/2MPT X 1/4FPT	1
16	0306983	FITT-MALE RUNTEE 1/4T-1/4NPT	1
--	0911552	AIR VALVE PLATE ASSY 1150 12V	--
17	0301577	1/4 OD PLASTIC AIRLINE, BLACK	5FT
--	0302495	CONVOLUTED LOOM 1/4	5FT
18	0302677	BREATHER VENT 1/8 MP	2
19	0306977	FITTING BRASS PLUG 1/8	1
20	0310141	SOLENOID, AIR 12V STK 8 BANK	1
21	0911804	AIR REGULATOR-GAUGE ASSEMBLY	1
22	9010030	FITT, BRASS ELBOW 1/4T-1/8MPX	1
23	9011071	FITT, BRASS TEE 1/4T-1/4T-1/4T	1
--	0911887	KIT, SWIVEL PKG HYD ROTARY	--
24	0301577	1/4 OD PLASTIC AIRLINE, BLACK	18FT
--	0302495	CONVOLUTED LOOM 1/4	18FT
25	0307106	FITT, CONNECTOR 4MB-6FB	1
26	0310083	SWIVEL, HYDRAULIC	1
27	0310132	FITTING, HYD 4MB-4FP	2
28	9010520	FITTING-ELBOW 1/4T-1/4NPT	1
29	9011053	FITTING, BRASS 1/4 TUBE-1/4 MP	1

# Section I - PARTS

## RECOVERY WINCH HYDRAULICS





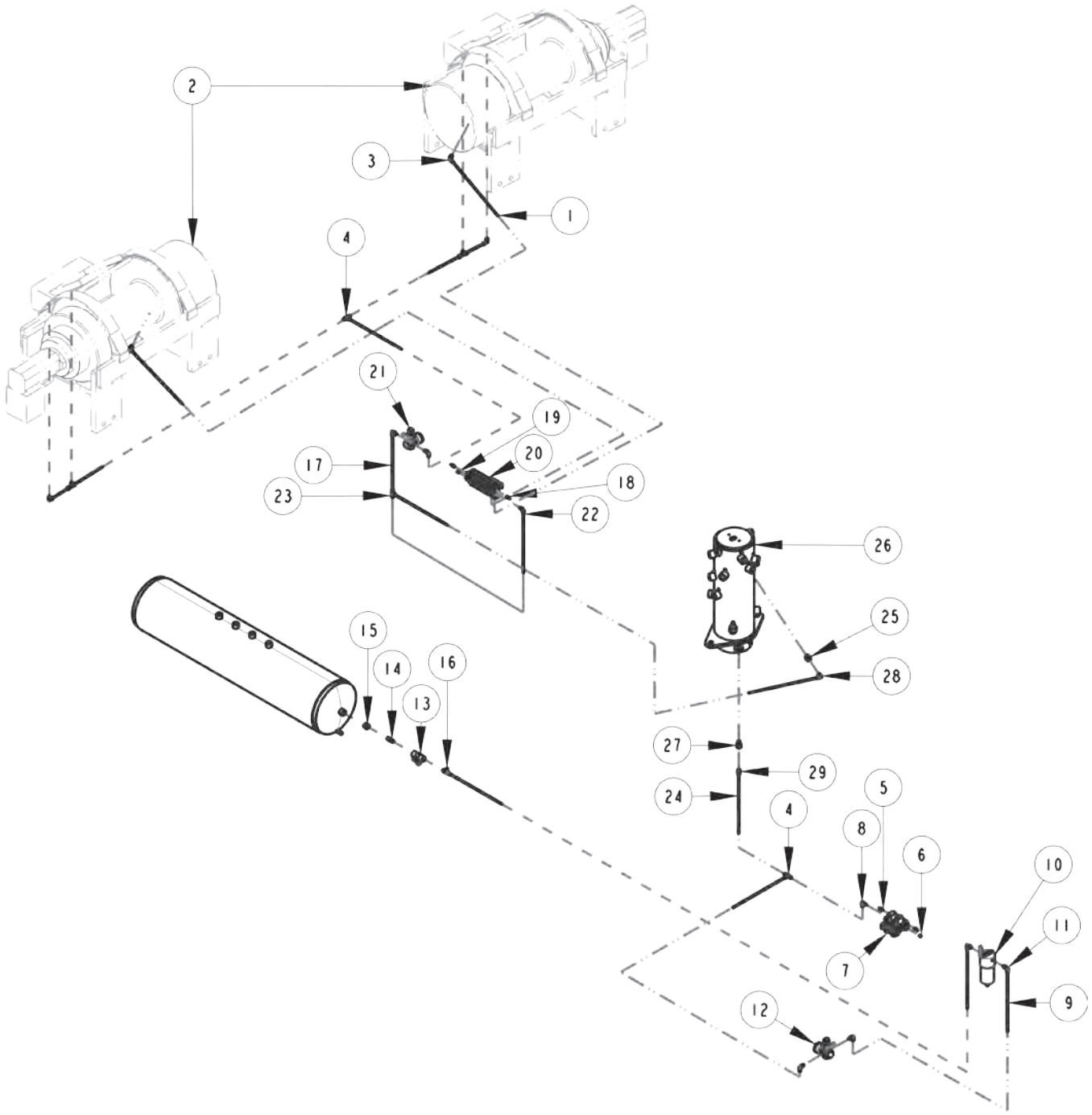
## Section I - PARTS

### RECOVERY WINCH HYDRAULICS

ITEM	PART NUMBER	DESCRIPTION	QTY
--	0911454	WINCH ASSEMBLY 1150	--
1	0302321	FITTING, ELB 45 DEG	4
2	0303505	WINCH-dp MODEL S50-50K (2)SPD	2
--	0911877	KIT, SWIVEL PACKAGE HYDRAULIC ROTARY	--
3	0300052	FITTING, ELB 8MJ-10MB 90	4
4	0300660	HOSE, HYDRAULIC 120"	4
5	0310083	SWIVEL, HYDRAULIC	1
6	GX263	FITTING, ELB 10MJ-10MB90	4
--	0911317	WALVOIL VALVE ASSY 5 WINCH ROT	--
7	0303079	ADAPTER, 10MJ-10MB	4
8	0311130	VALVE-CONTROL 13 SPOOL ROTATOR	1
--	0911318	HOSE KIT - WV PROPORTIONAL 5 WINCH	--
9	24773017	HOSE, HYDRAULIC 140"LG	2
10	24773018	HOSE, HYDRAULIC 140"LG	2

# Section I - PARTS

## RECOVERY WINCH PNEUMATICS



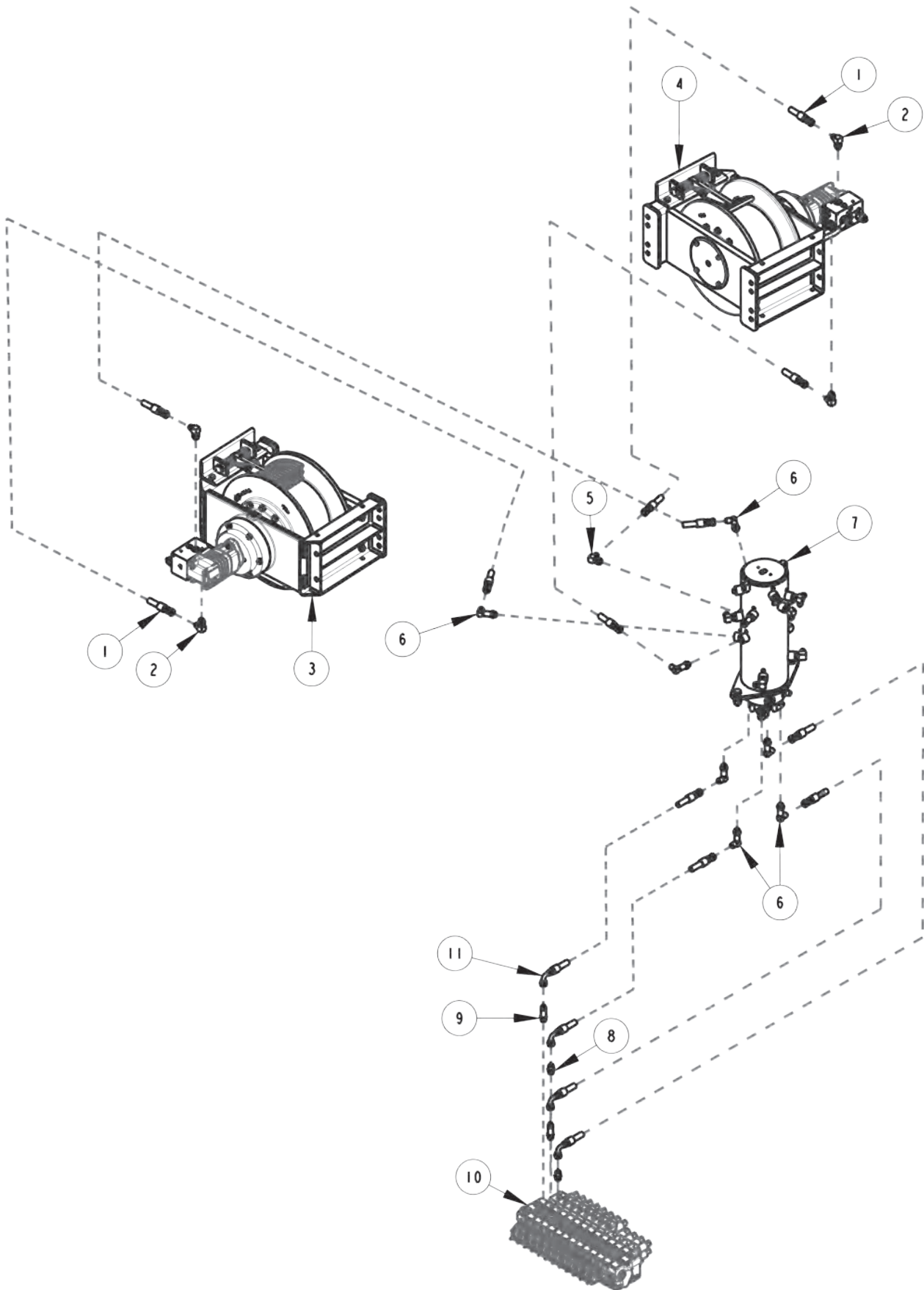
# Section I - PARTS

## RECOVERY WINCH PNEUMATICS

ITEM	PART NUMBER	DESCRIPTION	QTY
--	0911454	WINCH ASSY 1150	--
1	0301577	1/4 OD PLASTIC AIRLINE, BLACK	35FT
--	0302495	CONVOLUTED LOOM 1/4	35FT
2	0303505	WINCH-dp MODEL S50-50K (2)SPD	2
3	9010520	FITTING-ELBOW 1/4T-1/4NPT	2
--	0908432	ROTATOR PINLOCK ASSY	--
4	9011071	FITT, BRASS TEE 1/4T-1/4T-1/4T	3
--	0908765	KIT, PINLOCK AIR PARTS,ROTATOR	--
5	0302677	BREATHER VENT 1/8 MP	2
6	0306977	FITTING BRASS PLUG 1/8	1
7	0310192	AIR SOL STK 12VDC 4 BANK	1
8	9010030	FITT, BRASS ELBOW 1/4T-1/8MPX	4
--	0911812	WATER SEPARATOR KIT	--
9	0301577	1/4 OD PLASTIC AIRLINE, BLACK	1FT
10	0311755	WATER SEPARATOR-MONNIER	1
11	9010520	FITTING-ELBOW 1/4T-1/4NPT	2
12	0911804	AIR REGULATOR-GAUGE ASSEMBLY	2
--	0911551	SHIP KIT 1150	--
13	0301621	PRESSURE PROTECTION VLV.	1
14	0302123	HEX NIPPLE 4MP-4MP	1
15	0302125	PIPE, BUSHING 1/2MPT X 1/4FPT	1
16	0306983	FITT-MALE RUNTEE 1/4T-1/4NPT	1
--	0911552	AIR VALVE PLATE ASSY 1150 12V	--
17	0301577	1/4 OD PLASTIC AIRLINE, BLACK	5FT
--	0302495	CONVOLUTED LOOM 1/4	5FT
18	0302677	BREATHER VENT 1/8 MP	2
19	0306977	FITTING BRASS PLUG 1/8	1
20	0310141	SOLENOID, AIR 12V STK 8 BANK	1
21	0911804	AIR REGULATOR-GAUGE ASSEMBLY	1
22	9010030	FITT, BRASS ELBOW 1/4T-1/8MPX	1
23	9011071	FITT, BRASS TEE 1/4T-1/4T-1/4T	1
--	0911887	KIT, SWIVEL PKG HYD ROTARY	--
24	0301577	1/4 OD PLASTIC AIRLINE, BLACK	18FT
--	0302495	CONVOLUTED LOOM 1/4	18FT
25	0307106	FITT, CONNECTOR 4MB-6FB	1
26	0310083	SWIVEL, HYDRAULIC	1
27	0310132	FITTING, HYD 4MB-4FP	2
28	9010520	FITTING-ELBOW 1/4T-1/4NPT	1
29	9011053	FITTING, BRASS 1/4 TUBE-1/4 MP	1

# Section I - PARTS

## SIDE DRAG WINCH HYDRAULICS



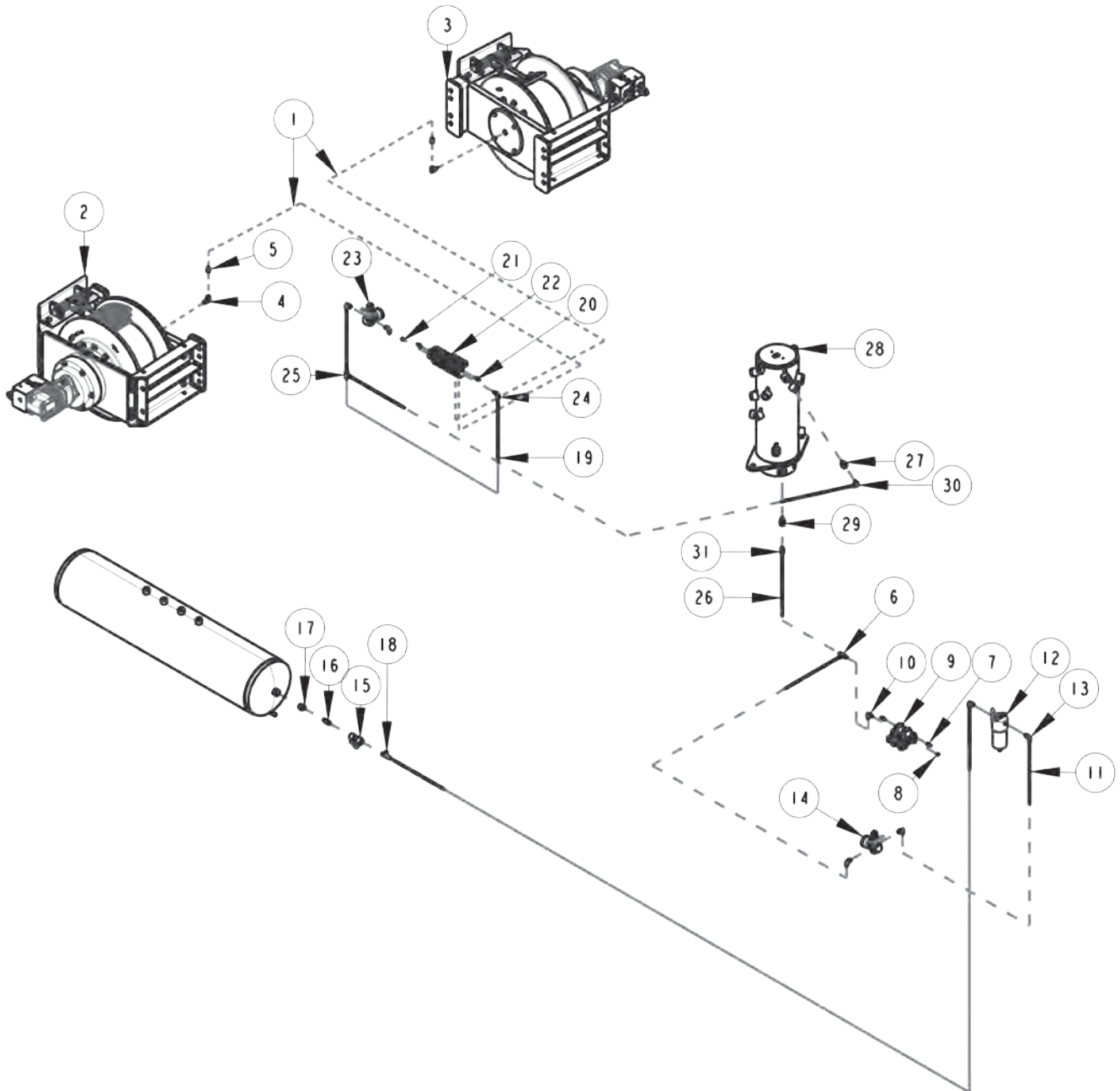
# Section I - PARTS

## SIDE DRAG WINCH HYDRAULICS

ITEM	PART NUMBER	DESCRIPTION	QTY
--	0911591	BUA 22K DRAG WINCH 1150	--
1	0300660	HOSE, HYDRAULIC 120"	4
2	0301388	FITTING, 90ELL, 8MJ-8MB90	4
3	0310679	WINCH,LH DP 22K-MTVR-SIDE MTG	1
4	0310680	WINCH,RH DP 22K-MTVR-SIDE MTG	1
--	0911877	KIT, SWIVEL PACKAGE HYDRAULIC ROTARY	--
5	0301388	FITTING, 90ELL, 8MJ-8MB90	6
6	0302508	FITTING, ELL 8MJ-8MB 90LL	7
7	0310083	SWIVEL, HYDRAULIC	1
--	0911317	WALVOIL VALVE ASSY 5 WINCH ROT	--
8	0300041	FITTING, CONNECTOR 8MJ-8MB	6
9	0301445	FITTING, EXTENDED	6
10	0311130	VALVE-CONTROL 13 SPOOL ROTATOR	1
--	0911318	HOSE KIT - WV PROPORTIONAL 5 WINCH	--
11	AWS-6821-A	HOSE, HYDRAULIC 140"LG	10

# Section I - PARTS

## SIDE DRAG WINCH PNEUMATICS



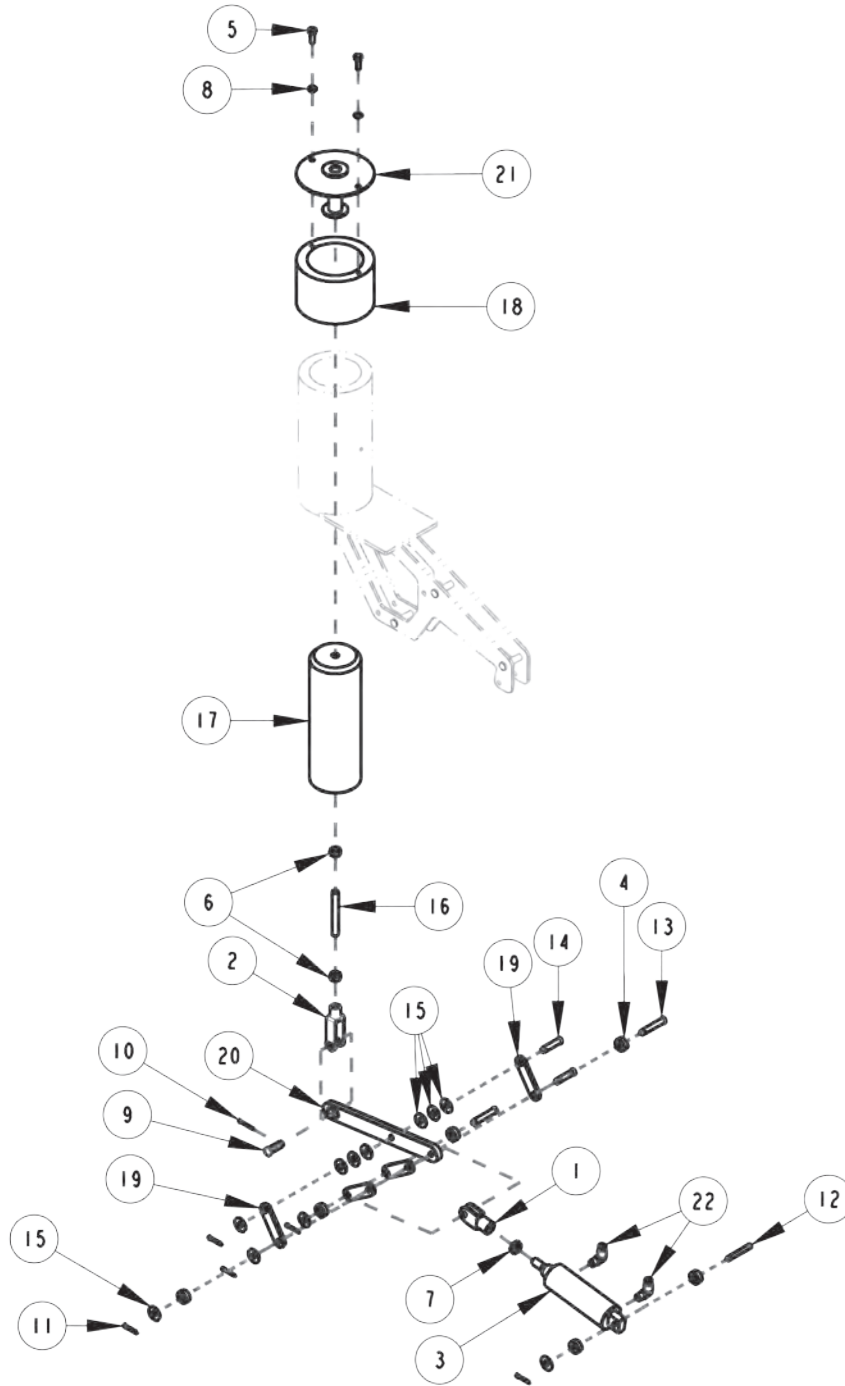
# Section I - PARTS

## SIDE DRAG WINCH PNEUMATICS

ITEM	PART NUMBER	DESCRIPTION	QTY
--	0911454	WINCH ASSY 1150	--
1	0301577	1/4 OD PLASTIC AIRLINE, BLACK	35FT
--	0302495	CONVOLUTED LOOM 1/4	35FT
--	0910537	22K X2 DRAG WINCH BUA PARTS	--
2	0310679	WINCH,LH DP 22K-MTVR-SIDE MTG	1
3	0310680	WINCH,RH DP 22K-MTVR-SIDE MTG	1
4	0312687	FITTING, 4MB-2FP90	2
5	9010024	FITT, BRASS CONN 1/4T-1/8MP	2
--	0908432	ROTATOR PINLOCK ASSY	--
6	9011071	FITT, BRASS TEE 1/4T-1/4T-1/4T	3
--	0908765	KIT, PINLOCK AIR PARTS,ROTATOR	--
7	0302677	BREATHER VENT 1/8 MP	2
8	0306977	FITTING BRASS PLUG 1/8	1
9	0310192	AIR SOL STK 12VDC 4 BANK	1
10	9010030	FITT, BRASS ELBOW 1/4T-1/8MPX	4
--	0911812	WATER SEPARATOR KIT	--
11	0301577	1/4 OD PLASTIC AIRLINE, BLACK	1FT
12	0311755	WATER SEPARATOR-MONNIER	1
13	9010520	FITTING-ELBOW 1/4T-1/4NPT	2
14	0911804	AIR REGULATOR-GAUGE ASSEMBLY	2
--	0911551	SHIP KIT 1150	--
15	0301621	PRESSURE PROTECTION VLV.	1
16	0302123	HEX NIPPLE 4MP-4MP	1
17	0302125	PIPE, BUSHING 1/2MPT X 1/4FPT	1
18	0306983	FITT-MALE RUNTEE 1/4T-1/4NPT	1
--	0911552	AIR VALVE PLATE ASSY 1150 12V	--
19	0301577	1/4 OD PLASTIC AIRLINE, BLACK	5FT
--	0302495	CONVOLUTED LOOM 1/4	5FT
20	0302677	BREATHER VENT 1/8 MP	2
21	0306977	FITTING BRASS PLUG 1/8	1
22	0310141	SOLENOID, AIR 12V STK 8 BANK	1
23	0911804	AIR REGULATOR-GAUGE ASSEMBLY	1
24	9010030	FITT, BRASS ELBOW 1/4T-1/8MPX	1
25	9011071	FITT, BRASS TEE 1/4T-1/4T-1/4T	1
--	0911887	KIT, SWIVEL PKG HYD ROTARY	--
26	0301577	1/4 OD PLASTIC AIRLINE, BLACK	18FT
--	0302495	CONVOLUTED LOOM 1/4	18FT
27	0307106	FITT, CONNECTOR 4MB-6FB	1
28	0310083	SWIVEL, HYDRAULIC	1
29	0310132	FITTING, HYD 4MB-4FP	2
30	9010520	FITTING-ELBOW 1/4T-1/4NPT	1
31	9011053	FITTING, BRASS 1/4 TUBE-1/4 MP	1

# Section I - PARTS

## ROTATOR PINLOCK ASSEMBLY





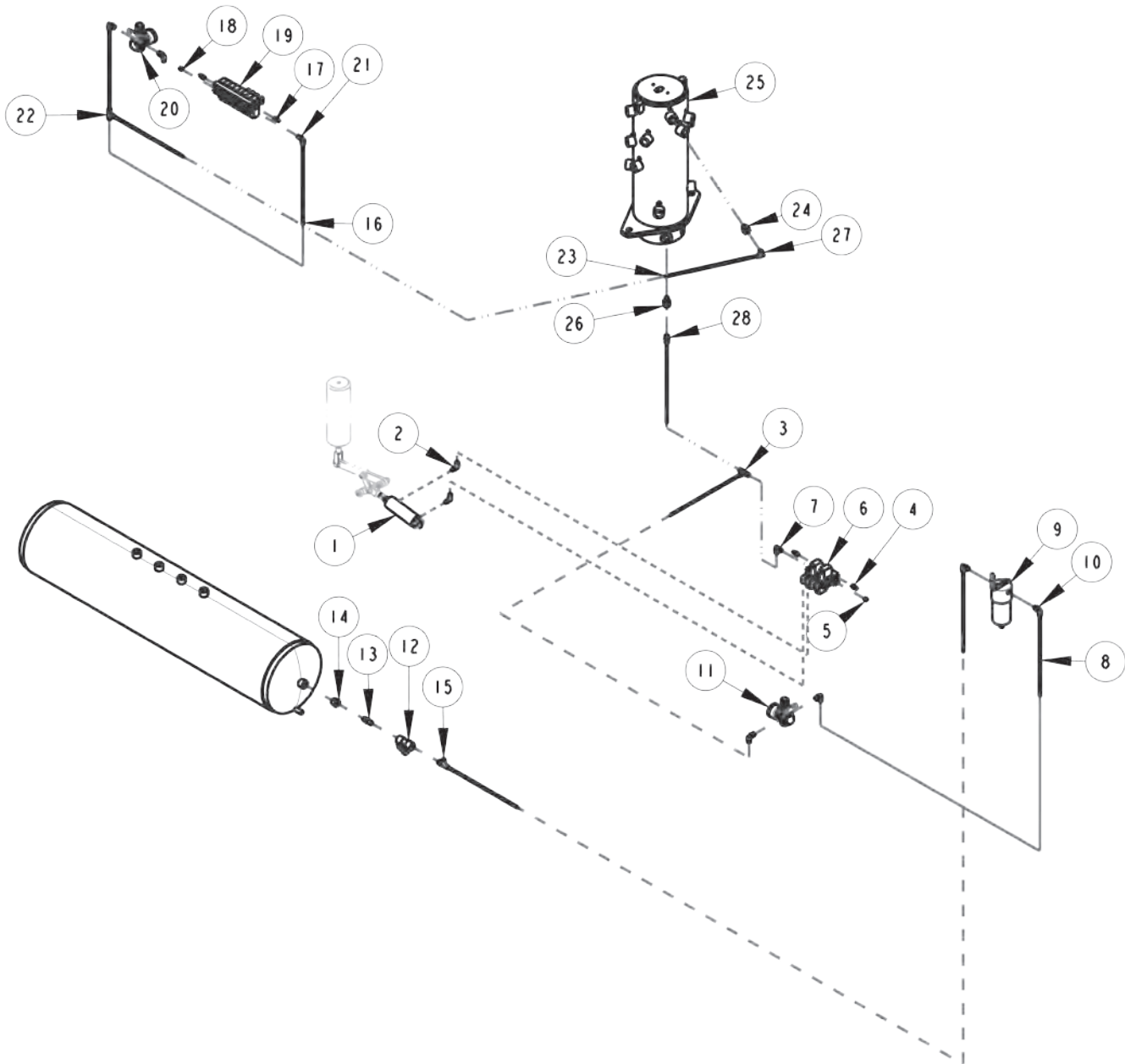
# Section I - PARTS

## ROTATOR PINLOCK ASSEMBLY

ITEM	PART NUMBER	DESCRIPTION	QTY
1	0200052	CLEVIS LINK	1
--	0301577	1/4 OD PLASTIC AIRLINE (NOT SHOWN)	25FT
2	0302231	ADJ CLEVIS, 3/8"	1
3	0306698	AIR CYLINDER	1
4	0307612	NYLON SPACER, 5/16" THK X 5/16" ID	6
5	0400066	SCREW, 1/4-20X3/4 HHC GR5	2
6	0400388	HEX NUT, 3/8"-24	2
7	0400401	NUT, 7/16-20 JAM PL	1
8	0400452	LOCKWASHER, 1/4	2
9	0400538	PIN, 3/8X1 CLEVIS	1
10	0400540	PIN, 3/32X1 COT	2
11	0400543	PIN, 1/8X3/4 COT SS	4
12	0400663	PIN, 1/4X1-3/4 CLEVIS	1
13	0400664	PIN, 5/16X1-3/4 CLEVIS	2
14	0400666	PIN, 5/16X1-3/8 CLEVIS SS	2
15	0402117	WASHER, 5/16 SS	11
16	0705698	ALLTHREAD, CONNECTOR	1
17	0709331	PIN, RETAIN HOUSE LOCK	1
18	0712230	BOSS, TURNTABLE LOCK	1
19	0718297	BAR LINK - PIN LOCK	4
20	0718298	BAR LEVER - PIN LOCK	1
21	0806994	HOUSE LOCK INDICATOR WELDMENT	2
22	9010030	FITT, BRASS ELBOW 1/4T-1/8MPX	2

# Section I - PARTS

## ROTATOR PINLOCK PNEUMATICS



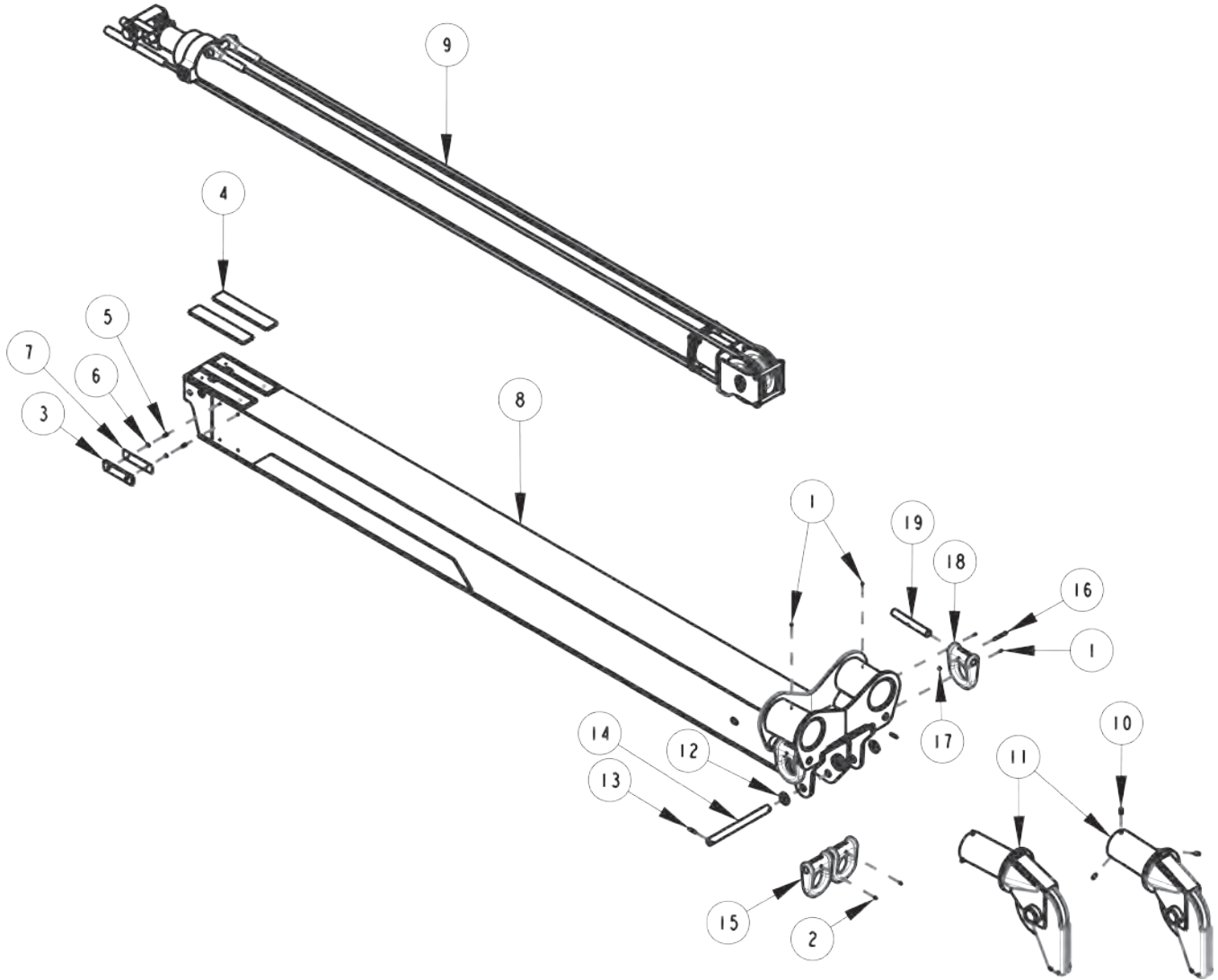
# Section I - PARTS

## ROTATOR PINLOCK PNEUMATICS

ITEM	PART NUMBER	DESCRIPTION	QTY
--	0908432	ROTATOR PINLOCK ASSY	--
1	0306698	AIR CYLINDER	1
2	9010030	FITT, BRASS ELBOW 1/4T-1/8MPX	2
3	9011071	FITT, BRASS TEE 1/4T-1/4T-1/4T	3
--	0908765	KIT, PINLOCK AIR PARTS,ROTATOR	--
4	0302677	BREATHER VENT 1/8 MP	2
5	0306977	FITTING BRASS PLUG 1/8	1
6	0310192	AIR SOL STK 12VDC 4 BANK	1
7	9010030	FITT, BRASS ELBOW 1/4T-1/8MPX	4
--	0911812	WATER SEPARATOR KIT	--
8	0301577	1/4 OD PLASTIC AIRLINE, BLACK	1FT
9	0311755	WATER SEPARATOR-MONNIER	1
10	9010520	FITTING-ELBOW 1/4T-1/4NPT	2
11	0911804	AIR REGULATOR-GAUGE ASSEMBLY	2
--	0911551	SHIP KIT 1150	--
12	0301621	PRESSURE PROTECTION VLV.	1
13	0302123	HEX NIPPLE 4MP-4MP	1
14	0302125	PIPE, BUSHING 1/2MPT X 1/4FPT	1
15	0306983	FITT-MALE RUNTEE 1/4T-1/4NPT	1
--	0911552	AIR VALVE PLATE ASSY 1150 12V	--
16	0301577	1/4 OD PLASTIC AIRLINE, BLACK	5FT
--	0302495	CONVOLUTED LOOM 1/4	5FT
17	0302677	BREATHER VENT 1/8 MP	2
18	0306977	FITTING BRASS PLUG 1/8	1
19	0310141	SOLENOID, AIR 12V STK 8 BANK	1
20	0911804	AIR REGULATOR-GAUGE ASSEMBLY	1
21	9010030	FITT, BRASS ELBOW 1/4T-1/8MPX	1
22	9011071	FITT, BRASS TEE 1/4T-1/4T-1/4T	1
--	0911887	KIT, SWIVEL PKG HYD ROTARY	--
23	0301577	1/4 OD PLASTIC AIRLINE, BLACK	18FT
--	0302495	CONVOLUTED LOOM 1/4	18FT
24	0307106	FITT, CONNECTOR 4MB-6FB	1
25	0310083	SWIVEL, HYDRAULIC	1
26	0310132	FITTING, HYD 4MB-4FP	2
27	9010520	FITTING-ELBOW 1/4T-1/4NPT	1
28	9011053	FITTING, BRASS 1/4 TUBE-1/4 MP	1

# Section I - PARTS

## 3 - STAGE BOOM ASSEMBLY - INNER STAGE



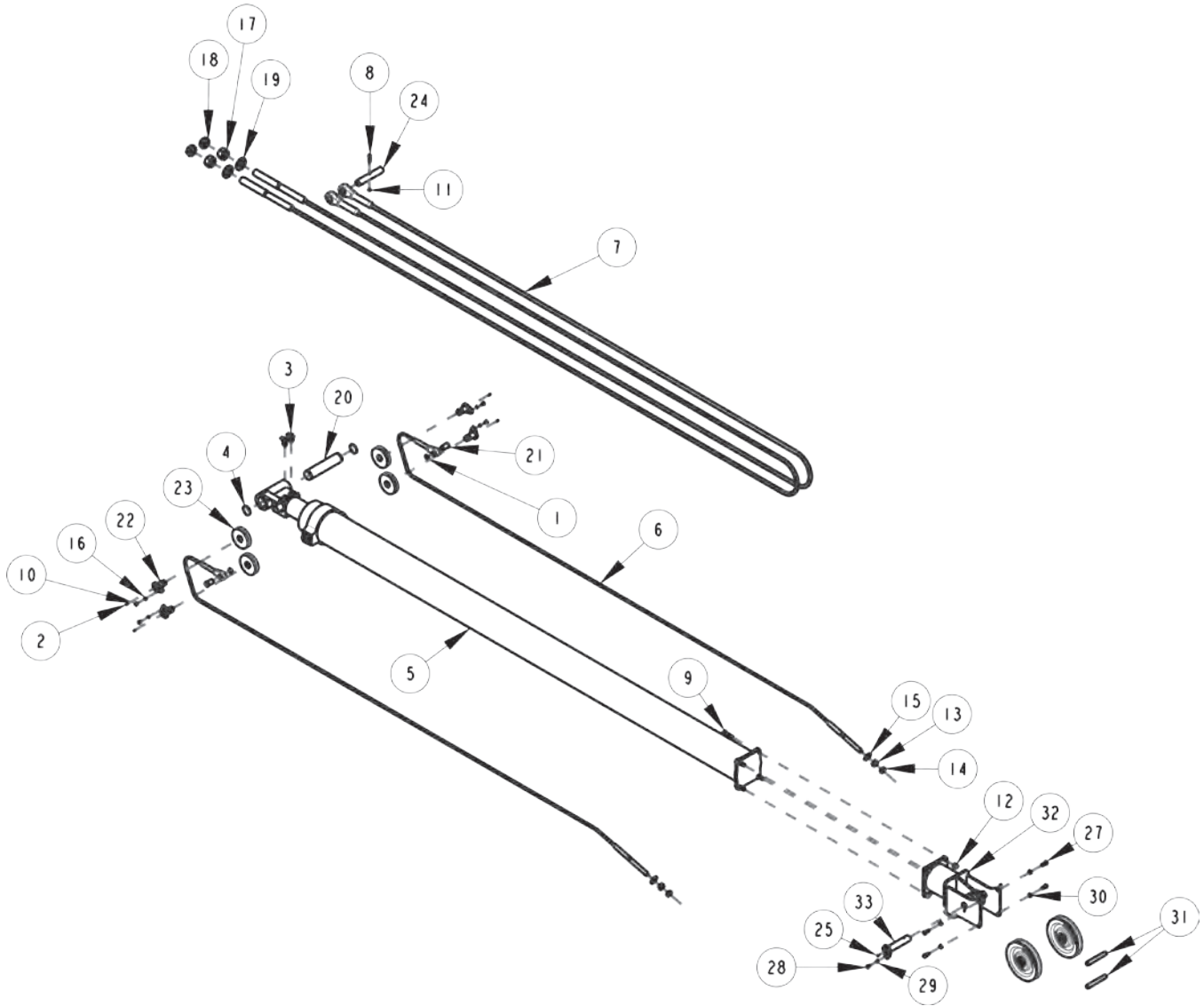
## Section I - PARTS

### 3 - STAGE BOOM ASSEMBLY - INNER STAGE

ITEM	PART NUMBER	DESCRIPTION	QTY
--	0911449	1150 BOOM ASSEMBLY	--
1	0300113	GREASE FITTING, 1/4-28 STR	10
2	0301895	GREASE FITTING, 1/8 STR PTF	6
3	0303892	SLIDE PAD-BOOM-SIDE	6
4	0305031	INNER BOOM SLIDE PAD	4
5	0400121	SCREW, 3/8-16X3/4 HHC GR5	8
6	0400482	LOCKWASHER 3/8	12
7	0703734	SHIM, SIDE PLATE OUTER BOOM	18
8	0810169	THIRD STAGE BOOM WELDMENT 1150	1
9	0911450	EXTEND SYSTEM	1
--	0906536	KIT-BOOM SWIVEL	--
10	0400557	PIN, 1/2 X 1-1/4 SPR ZP	6
11	0906537	SWIVEL - BOOM ASSEMBLY	2
--	0911453	DRING KIT	--
12	0400501	WASHER, 1-1/4 SAE PL	4
13	0400564	PIN, 3/8X1-3/4 SPR	4
14	0710638	PIN, D-RING	2
15	0719585	D-RING, TOWING	4
--	0910707	SIDE D-RING PARTS 1060S/1075S	--
16	0400107	SCREW, 5/16-18X2-1/2 HHC GR5	2
17	0400776	NUT, 5/16-18 JAM LOCK	2
18	0719585	D-RING, TOWING	2
19	0722325	PIN - D-RING	2

# Section I - PARTS

## 3-STAGE EXTENSION SYSTEM ASSEMBLY



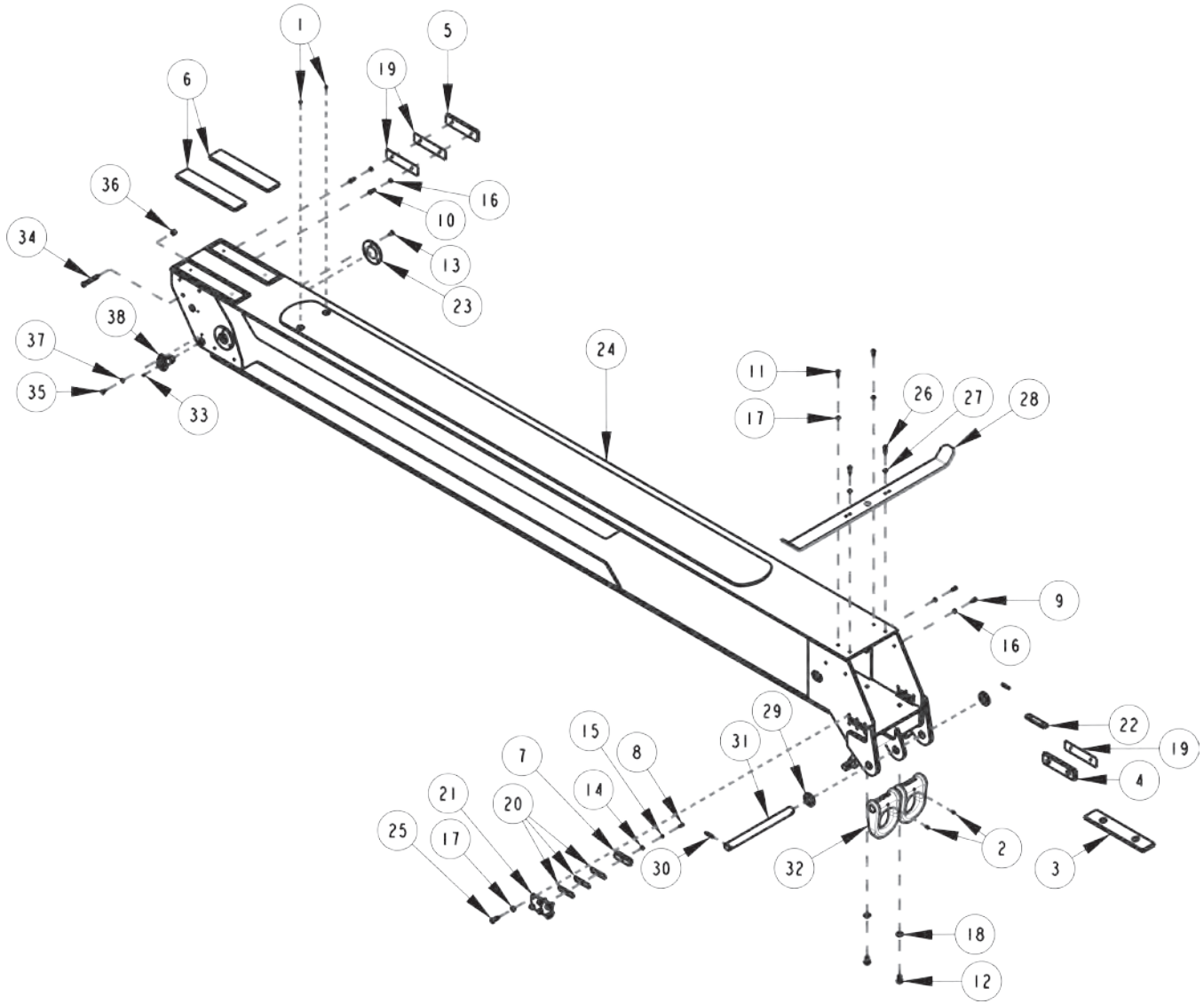
## Section I - PARTS

### 3-STAGE EXTENSION SYSTEM ASSEMBLY

ITEM	PART NUMBER	DESCRIPTION	QTY
--	0911450	EXTEND SYSTEM	--
1	0300110	SNAP RING, 1" 5100-100	2
2	0300113	GREASE FITTING, 1/4-28 STRAIGHT	4
3	0301388	ELBOW, 8MJ-8MB90	2
4	0305023	SNAP RING 5100-0225PP	2
5	0311664	CYLINDER	1
6	0311665	CABLE, RETRACT 3-STAGE 1150	2
7	0312379	CABLE - EXTEND 3-STAGE 1150	2
8	0400157	3/8-16 X 2-1/4 HHCS GR 5 ZP	1
9	0400264	5/8-11 X 2-1/4 HHCS GR 5 ZP	4
10	0400349	SCREW, 3/8"-16 X 3/4" FL HD SKT	4
11	0400398	3/8-16 NYLOCK JAM NUT ZP	1
12	0400421	5/8-11 NYLOCK HEX NUT ZP	4
13	0400471	7/8-14 UNF HEX NUT GR 8	2
14	0400472	7/8-14 UNF HEX NUT JAM GR 8	2
15	0400473	7/8 FLATWASHER GR 8	2
16	0400483	LOCKWASHER, 3/8" COUNTERSUNK	4
17	0400930	1-1/2X12 NEX NUT GR 8	2
18	0400931	1-1/2X12 HEX JAM NUT GR 8	2
19	0400935	WASHER, 1-1/2 SAE GR 8	2
20	0703740	SHAFT, EXTEND CYLINDER	1
21	0725177	PIN RETRACT CABLE	2
22	0806752	SHAFT - RETRACT SHEAVE WELDMENT	4
23	0908118	SHEAVE ASSEMBLY 5" DIA	4
24	GA0215	PIN - "D" RING	1
--	0911451	EXTEND SHEAVE ASSEMBLY	--
25	0300113	GREASE FITTING, 1/4-28 STRAIGHT	2
26	0303441	SHEAVE, 10"	2
27	0400177	1/2-13 X 1 1/4 HHCS GR 5, ZP	4
28	0400223	3/8-16 X 3/4 FL. HD. SOCKET SCREW	1
29	0400483	LOCKWASHER, 3/8" COUNTERSUNK	1
30	0400491	1/2 HELICAL LOCK WASHER ZP	4
31	0725175	ROD EXTEND SHEAVE SPACER	2
32	0810170	EXTEND SHEAVE BRACKET WELDMENT	1
33	0810171	EXTEND SHEAVE SHAFT WELDMENT	1

# Section I - PARTS

## 3 - STAGE BOOM ASSEMBLY - MIDDLE STAGE





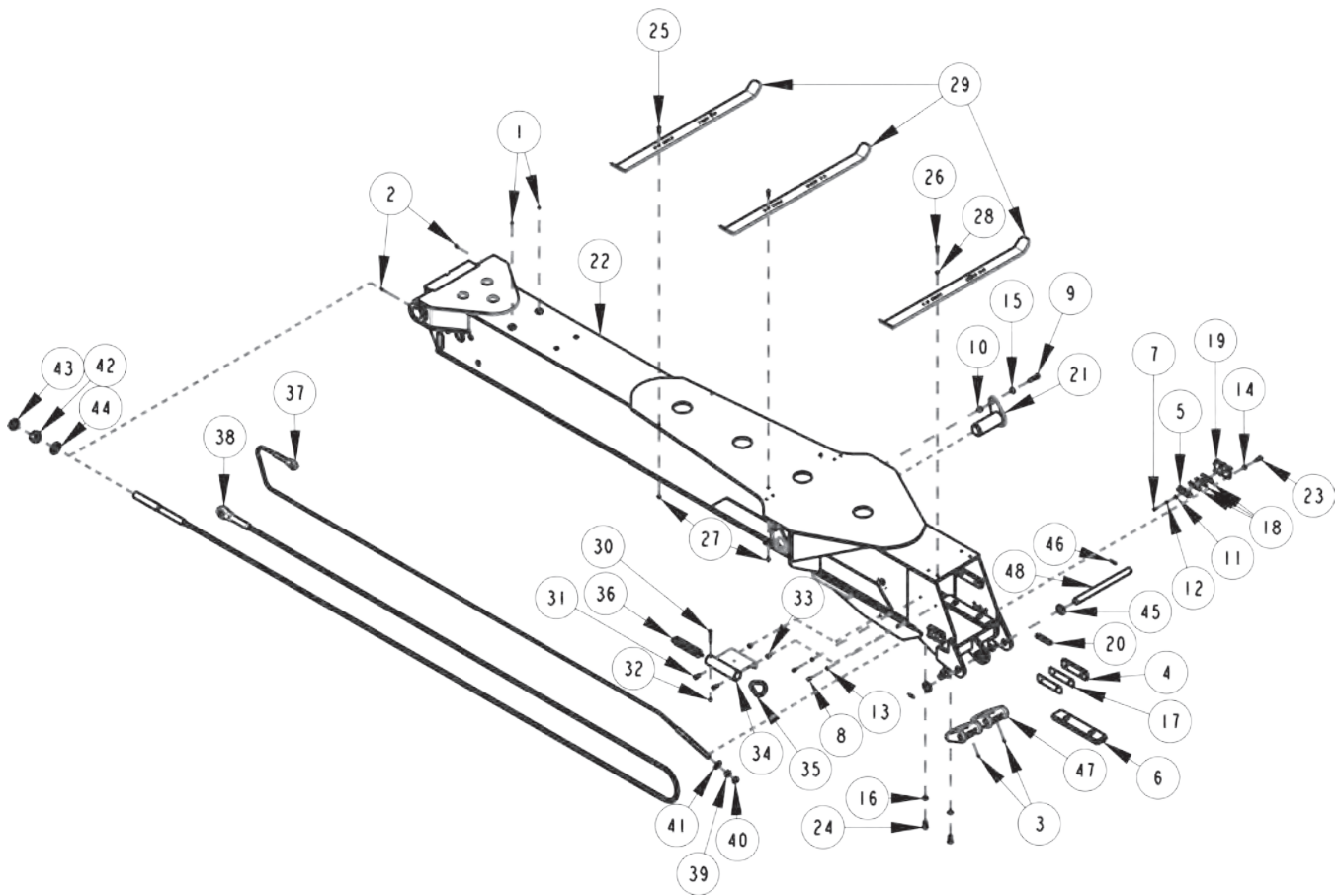
## Section I - PARTS

### 3 - STAGE BOOM ASSEMBLY - MIDDLE STAGE

ITEM	PART NUMBER	DESCRIPTION	QTY
--	0911449	1150 BOOM ASSEMBLY	--
1	0300113	GREASE FITTING, 1/4-28 STR	10
2	0301895	GREASE FITTING, 1/8 STR PTF	6
3	0301923	SLIDE PAD-BOOM-BOTTOM	2
4	0301924	SLIDE PAD-BOOM-SIDE	2
5	0303892	SLIDE PAD-BOOM-SIDE	6
6	0305031	INNER BOOM SLIDE PAD	4
7	0306825	SLIDE PAD - 3/4 x 1 x 4	4
8	0400066	SCREW, 1/4-20X3/4 HHC GR5	4
9	0400121	SCREW, 3/8-16X3/4 HHC GR5	8
10	0400126	SCREW, 3/8-16X1 HHC GR5	4
11	0400141	SCREW, 3/8-16X7/8 HHC GR5	4
12	0400248	SCREW, 5/8-11X1 HHC GR8	4
13	0400349	SCREW, 3/8-16X3/4 FHS	6
14	0400451	WASHER, 1/4	4
15	0400452	LOCKWASHER 1/4	4
16	0400482	LOCKWASHER 3/8	12
17	0400491	LOCKWASHER 1/2	26
18	0400508	LOCKWASHER 5/8	8
19	0703734	SHIM, SIDE PLATE OUTER BOOM	18
20	0717262	SHIM - SLIDE PAD	12
21	0718466	PLATE - SLIDE PAD SUPPORT	4
22	0725176	SPACER TOP	2
23	0726100	PLATE	2
24	0810168	SECOND STAGE BOOM WELDMENT 1150	1
25	9041402	1/2 NC X 1 1/4 HHCS PLT GR8	24
--	0908443	WING-WINCH CABLE SUPPORT	--
26	0400141	SCREW, 3/8-16X7/8 HHC GR5	4
27	0400482	LOCKWASHER3/8	4
28	0706043	WING, CABLE MED 1040&1040B	1
--	0911453	DRING KIT	--
29	0400501	WASHER, 1-1/4 SAE PL	4
30	0400564	PIN, 3/8X1-3/4 SPR	4
31	0710638	PIN, D-RING	2
32	0719585	D-RING, TOWING	4
--	0911450	EXTEND SYSTEM	--
33	0300113	GREASE FITTING, 1/4-28 STRAIGHT	4
34	0400205	SCREW, 1/2-13X3 HHC GR5	2
35	0400349	SCREW, 3/8"-16 X 3/4" FL HD SKT	4
36	0400408	NUT, 1/2-13 LOCK	2
37	0400483	LOCKWASHER, 3/8" COUNTERSUNK	4
38	0806752	SHAFT - RETRACT SHEAVE WELDMENT	4

# Section I - PARTS

## 3 - STAGE BOOM ASSEMBLY - OUTER STAGE (NO SIDE WINCH)



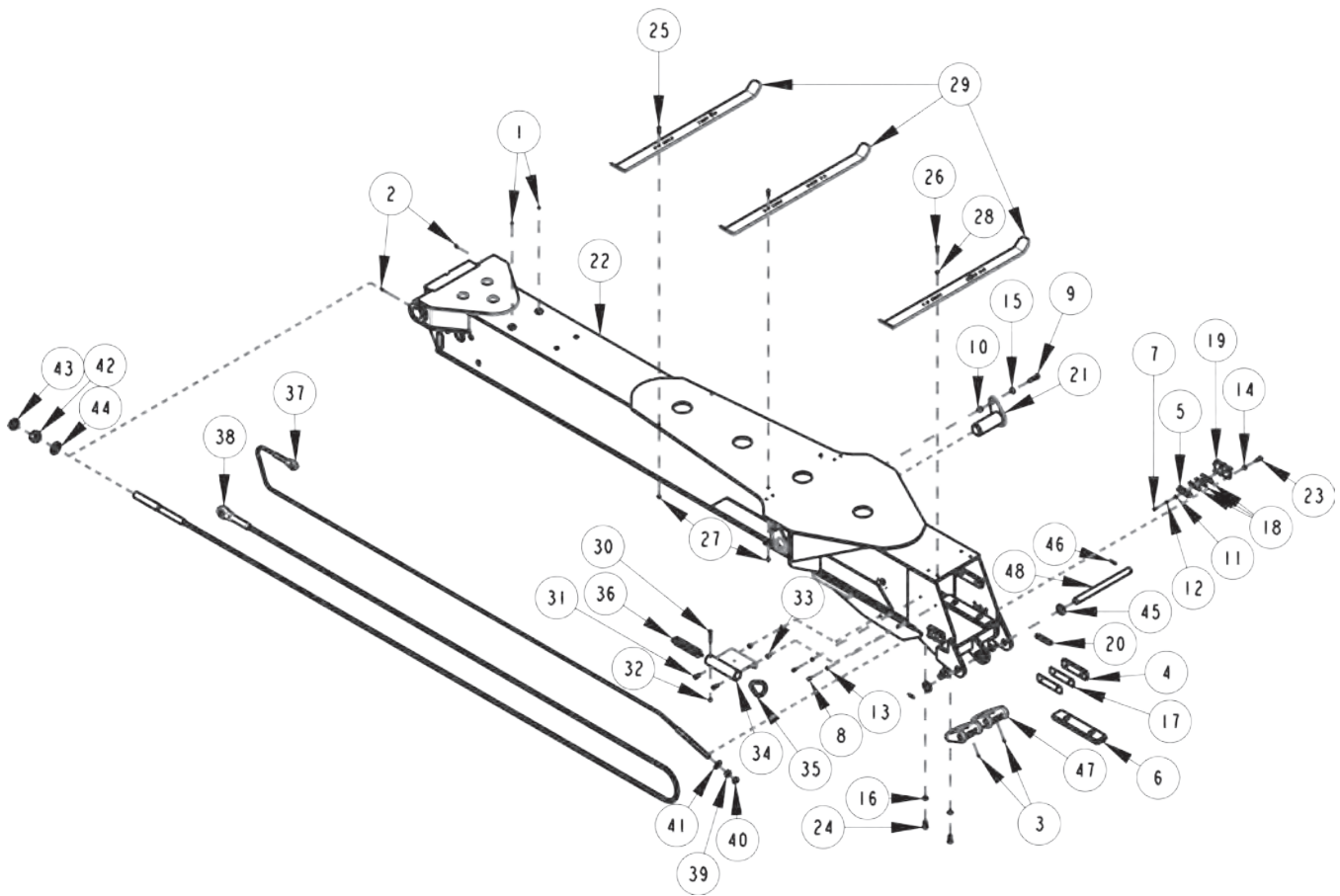
## Section I - PARTS

### 3 - STAGE BOOM ASSEMBLY - OUTER STAGE (NO SIDE WINCH)

ITEM	PART NUMBER	DESCRIPTION	QTY
--	0911449	1150 BOOM ASSEMBLY	--
1	0300113	GREASE FITTING, 1/4-28 STR	10
2	0301397	GREASE FITTING, 1/4-28 90	2
3	0301895	GREASE FITTING, 1/8 STR PTF	6
4	0301924	SLIDE PAD-BOOM-SIDE	2
5	0306825	SLIDE PAD - 3/4 x 1 x 4	4
6	0307234	PAD - SLIDE	2
7	0400066	SCREW, 1/4-20X3/4 HHC GR5	4
8	0400121	SCREW, 3/8-16X3/4 HHC GR5	8
9	0400262	SCREW, 5/8-11X2-1/2 HHC GR8	2
10	0400426	NUT, 5/8-11 LOCK GR8	2
11	0400451	WASHER, 1/4	4
12	0400452	LOCKWASHER 1/4	4
13	0400482	LOCKWASHER 3/8	12
14	0400491	LOCKWASHER 1/2	26
15	0400503	WASHER, 5/8 GR8	2
16	0400508	LOCKWASHER 5/8	8
17	0703734	SHIM, SIDE PLATE OUTER BOOM	18
18	0717262	SHIM - SLIDE PAD	12
19	0718466	PLATE - SLIDE PAD SUPPORT	4
20	0725176	SPACER TOP	2
21	0806922	LIFT CYL PIVOT ROD END WELDMENT	2
22	31548003	OUTER BOOM WLMT 1150 LAF	1
23	9041402	1/2 NC X 1 1/4 HHCS PLT GR8	24
24	9043950	5/8 NC X 1 1/2 HHCS PL GR 8	4
--	0908443	WING-WINCH CABLE SUPPORT	--
25	0400132	SCREW, 3/8-16X1-1/2 HHC GR5	4
26	0400141	SCREW, 3/8-16X7/8 HHC GR5	4
27	0400392	NUT, 3/8-16 LOCK	4
28	0400482	LOCKWASHER3/8	4
29	0706042	WING, CABLE LONG 1040&1040B	3
--	0910793	KIT-WINCH CABLE STOW	--
30	0400133	SCREW, 3/8-16X3 HHC GR5	2
31	0400177	SCREW, 1/2-13X1-1/4 HHC GR5	4
32	0400392	NUT, 3/8-16 LOK	2
33	0400408	NUT, 1/2-13 LOK	4
34	0807844	CABLE TIEBACK WELDMENT	2
35	9048800	5/8 WELDLESS CHAIN LINK	2
36	945030007	CABLE TIE BACK SPRING-1	2

# Section I - PARTS

## 3 - STAGE BOOM ASSEMBLY - OUTER STAGE (NO SIDE WINCH)



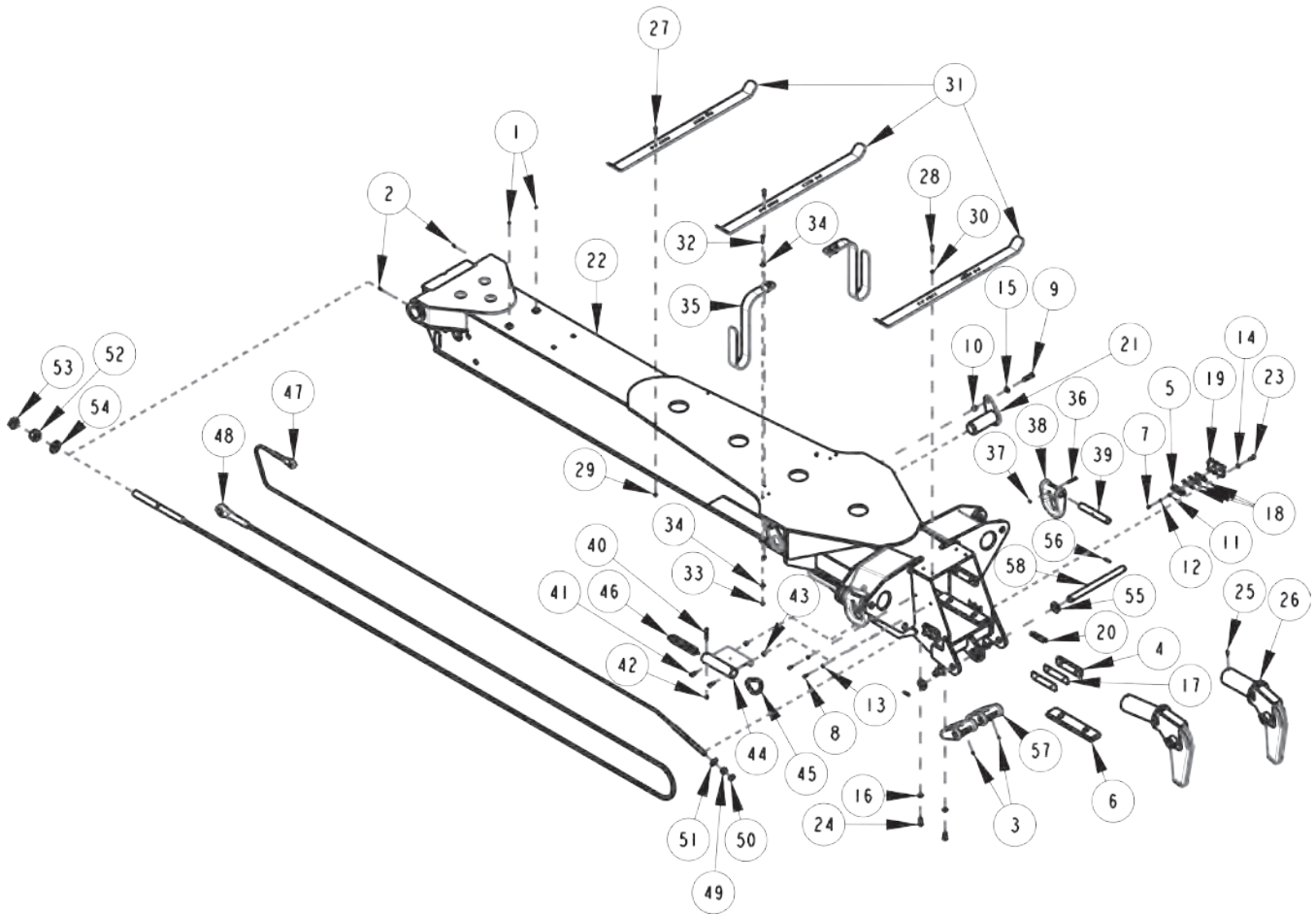
## Section I - PARTS

### 3 - STAGE BOOM ASSEMBLY - OUTER STAGE (NO SIDE WINCH)

ITEM	PART NUMBER	DESCRIPTION	QTY
--	0911450	EXTEND SYSTEM	--
37	0311665	CABLE, RETRACT 3-STAGE 1150	2
38	0312379	CABLE - EXTEND 3-STAGE 1150	2
39	0400471	7/8-14 UNF HEX NUT GR 8	2
40	0400472	7/8-14 UNF HEX NUT JAM GR 8	2
41	0400473	7/8 FLATWASHER GR 8	2
42	0400930	1-1/2X12 NEX NUT GR 8	2
43	0400931	1-1/2X12 HEX JAM NUT GR 8	2
44	0400935	WASHER, 1-1/2 SAE GR 8	2
--	0911452	DRING KIT	--
45	0400501	WASHER, 1-1/4 SAE PL	2
46	0400564	PIN, 3/8X1-3/4 SPR	2
47	0719585	D-RING, TOWING	2
48	0725173	PIN, D-RING	1

# Section I - PARTS

## 3 - STAGE BOOM ASSEMBLY - OUTER STAGE



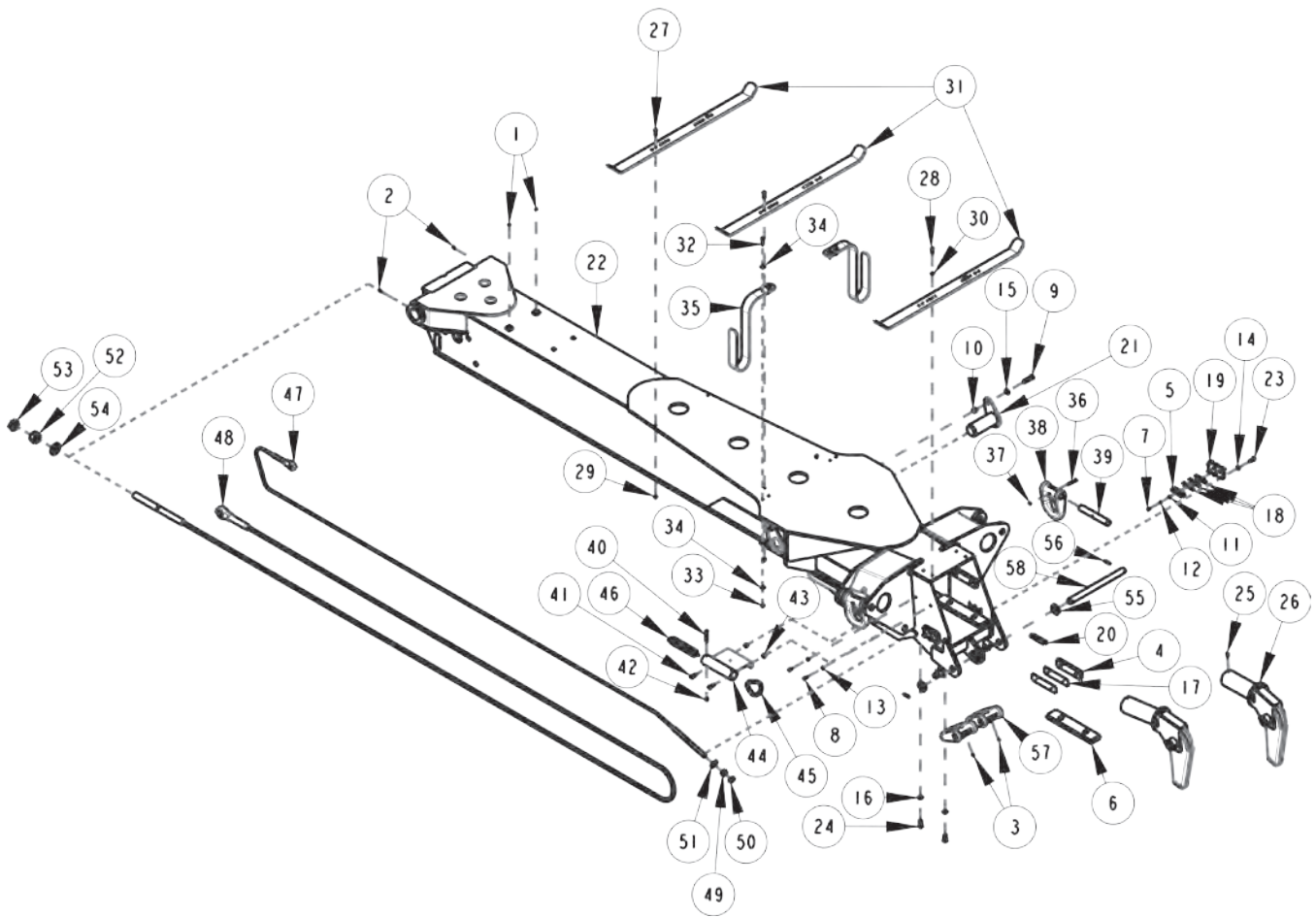
## Section I - PARTS

### 3 - STAGE BOOM ASSEMBLY - OUTER STAGE

ITEM	PART NUMBER	DESCRIPTION	QTY
--	0911449	1150 BOOM ASSEMBLY	--
1	0300113	GREASE FITTING, 1/4-28 STR	10
2	0301397	GREASE FITTING, 1/4-28 90	2
3	0301895	GREASE FITTING, 1/8 STR PTF	6
4	0301924	SLIDE PAD-BOOM-SIDE	2
5	0306825	SLIDE PAD - 3/4 x 1 x 4	4
6	0307234	PAD - SLIDE	2
7	0400066	SCREW, 1/4-20X3/4 HHC GR5	4
8	0400121	SCREW, 3/8-16X3/4 HHC GR5	8
9	0400262	SCREW, 5/8-11X2-1/2 HHC GR8	2
10	0400426	NUT, 5/8-11 LOCK GR8	2
11	0400451	WASHER, 1/4	4
12	0400452	LOCKWASHER 1/4	4
13	0400482	LOCKWASHER 3/8	12
14	0400491	LOCKWASHER 1/2	26
15	0400503	WASHER, 5/8 GR8	2
16	0400508	LOCKWASHER 5/8	8
17	0703734	SHIM, SIDE PLATE OUTER BOOM	18
18	0717262	SHIM - SLIDE PAD	12
19	0718466	PLATE - SLIDE PAD SUPPORT	4
20	0725176	SPACER TOP	2
21	0806922	LIFT CYL PIVOT ROD END WELDMENT	2
22	31548003	OUTER BOOM WLMT 1150 LAF	1
23	9041402	1/2 NC X 1 1/4 HHCS PLT GR8	24
24	9043950	5/8 NC X 1 1/2 HHCS PL GR 8	4
--	0906536	KIT-BOOM SWIVEL	--
25	0400554	PIN, 3/8X1 SPR	6
26	0906537	SWIVEL - BOOM ASSEMBLY	2
--	0908443	WING-WINCH CABLE SUPPORT	--
27	0400132	SCREW, 3/8-16X1-1/2 HHC GR5	4
28	0400141	SCREW, 3/8-16X7/8 HHC GR5	4
29	0400392	NUT, 3/8-16 LOCK	4
30	0400482	LOCKWASHER3/8	4
31	0706042	WING, CABLE LONG 1040&1040B	3
--	0910060	KIT, CABLE WING LOOP	--
32	0400157	SCREW, 3/8-16X1-3/4 HHC GR5	4
33	0400392	NUT, 3/8-16 LOK	4
34	0400480	WASHER, 3/8	8
35	0719768	CABLE GUIDE	2
--	0910707	SIDE D-RING PARTS 1060S/1075S	--
36	0400107	SCREW, 5/16-18X2-1/2 HHC GR5	2
37	0400776	NUT, 5/16-18 JAM LOK	2
38	0719585	D-RING, TOWING	2
39	0722325	PIN - D-RING	2

# Section I - PARTS

## 3 - STAGE BOOM ASSEMBLY - OUTER STAGE (Cont'd)





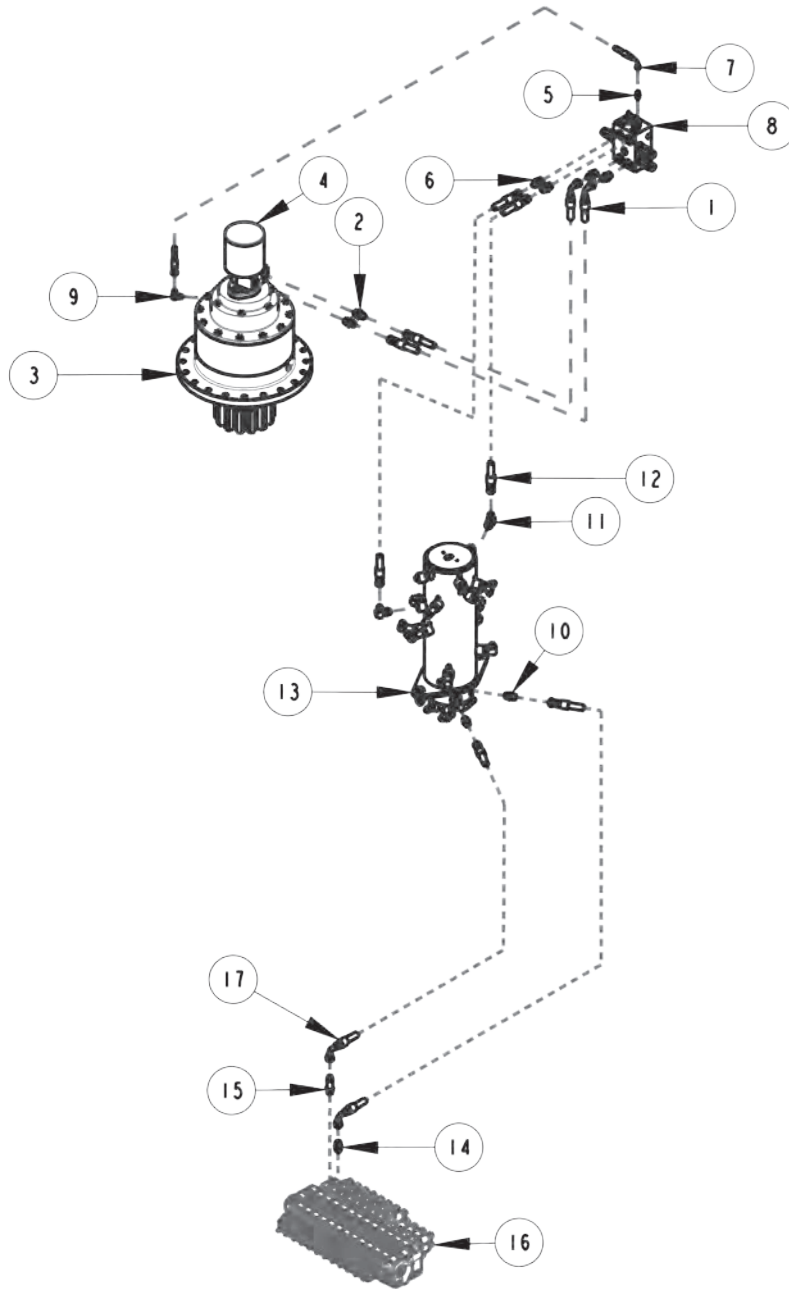
## Section I - PARTS

### 3 - STAGE BOOM ASSEMBLY - OUTER STAGE (Cont'd)

ITEM	PART NUMBER	DESCRIPTION	QTY
--	0910793	KIT-WINCH CABLE STOW	--
40	0400133	SCREW, 3/8-16X3 HHC GR5	2
41	0400177	SCREW, 1/2-13X1-1/4 HHC GR5	4
42	0400392	NUT, 3/8-16 LOK	2
43	0400408	NUT, 1/2-13 LOK	4
44	0807844	CABLE TIEBACK WELDMENT	2
45	9048800	5/8 WELDLESS CHAIN LINK	2
46	945030007	CABLE TIE BACK SPRING-1	2
--	0911450	EXTEND SYSTEM	--
47	0311665	CABLE, RETRACT 3-STAGE 1150	2
48	0312379	CABLE - EXTEND 3-STAGE 1150	2
49	0400471	7/8-14 UNF HEX NUT GR 8	2
50	0400472	7/8-14 UNF HEX NUT JAM GR 8	2
51	0400473	7/8 FLATWASHER GR 8	2
52	0400930	1-1/2X12 NEX NUT GR 8	2
53	0400931	1-1/2X12 HEX JAM NUT GR 8	2
54	0400935	WASHER, 1-1/2 SAE GR 8	2
--	0911452	DRING KIT	--
55	0400501	WASHER, 1-1/4 SAE PL	2
56	0400564	PIN, 3/8X1-3/4 SPR	2
57	0719585	D-RING, TOWING	2
58	0725173	PIN, D-RING	1

# Section I - PARTS

## SWING DRIVE HYDRAULICS



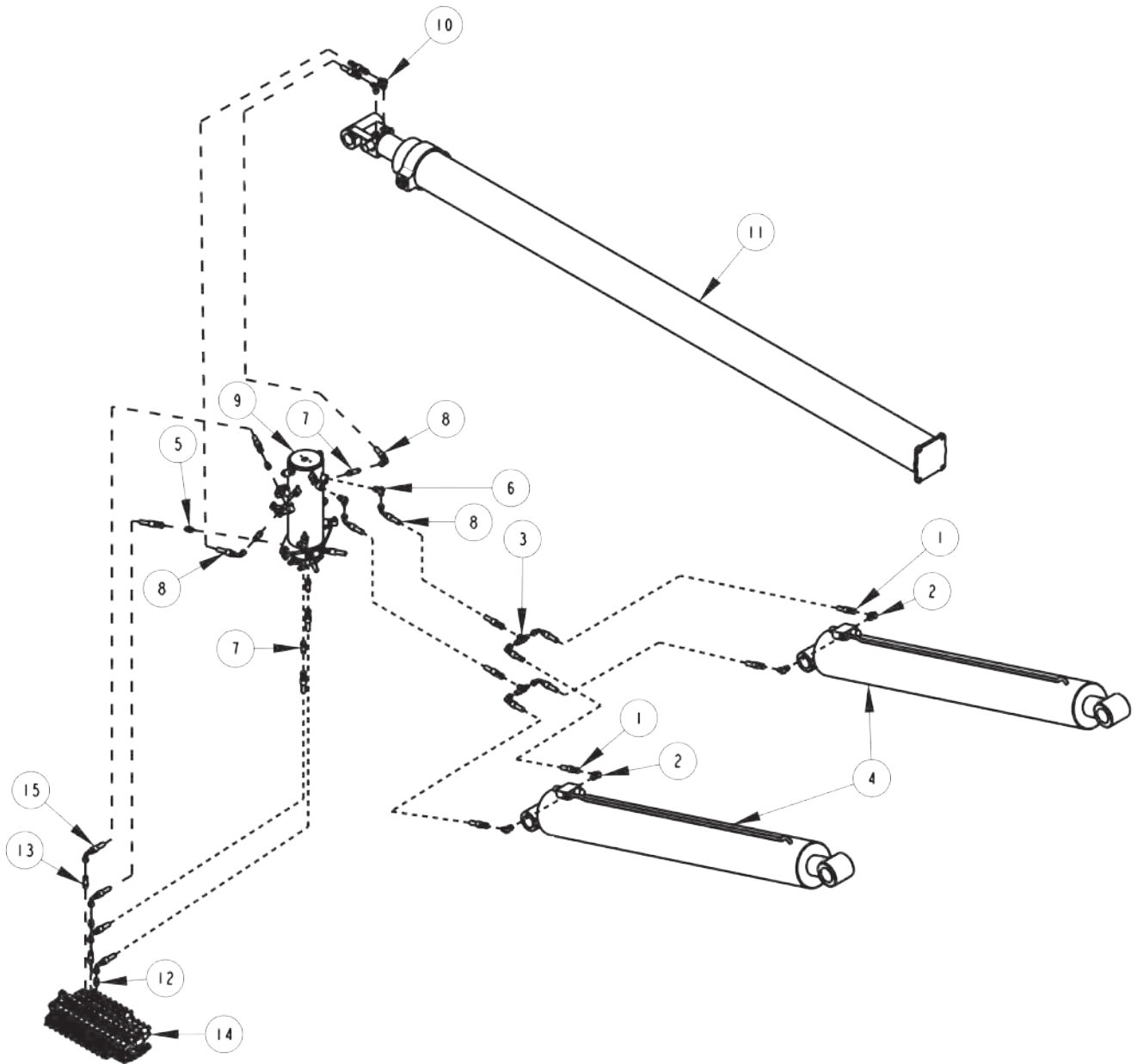
# Section I - PARTS

## SWING DRIVE HYDRAULICS

ITEM	PART NUMBER	DESCRIPTION	QTY
--	0911548	WRECKER FRM ASSEMBLY 1150 12V	--
1	0301471	HOSE, HYDRAULIC 30"	2
--	0911359	SWING DRIVE W/ INTERNAL BRAKE	--
2	0301376	CONNECTOR 8 MJ - 10 MB	2
3	0311453	250 SWING DRIVE W/INTERNAL BRK	1
4	0311454	MOTOR, HYDRAULIC, PARKER	1
5	HC1291	FITTING, 4MJ-4MB STR THR	1
--	0907994	SWING VALVE KIT (1060S)	--
6	0301376	CONNECTOR 8 MJ - 10 MB	4
7	0303994	HOSE, HYDRAULIC- 22"	1
8	0307396	SWING CONTROL VALVE	1
9	IC209	FITTING, 90DEG ADAPTER 1/4 ORB	1
--	0911877	KIT, SWIVEL PKG HYDRAULIC ROTARY	--
10	0300041	FITTING, CONNECTOR 8MJ-8MB	5
11	0301388	FITTING, 90ELL, 8MJ-8MB90	6
12	0302313	HOSE, HYDRAULIC 25"	2
13	0310083	SWIVEL, HYDRAULIC	1
--	0911317	WALVOIL VALVE ASSY 5 WINCH ROT	--
14	0300041	FITTING, CONNECTOR 8MJ-8MB	5
15	0301445	FITTING, EXTENDED	5
16	0311130	VALVE-CONTROL 13 SPOOL ROTATOR	1
--	0911318	HOSE KIT-WV PROP 5 WINCH	--
17	AWS-6821-A	HOSE, HYDRAULIC-PRESSURE	10

# Section I - PARTS

## RECOVERY BOOM HYDRAULICS



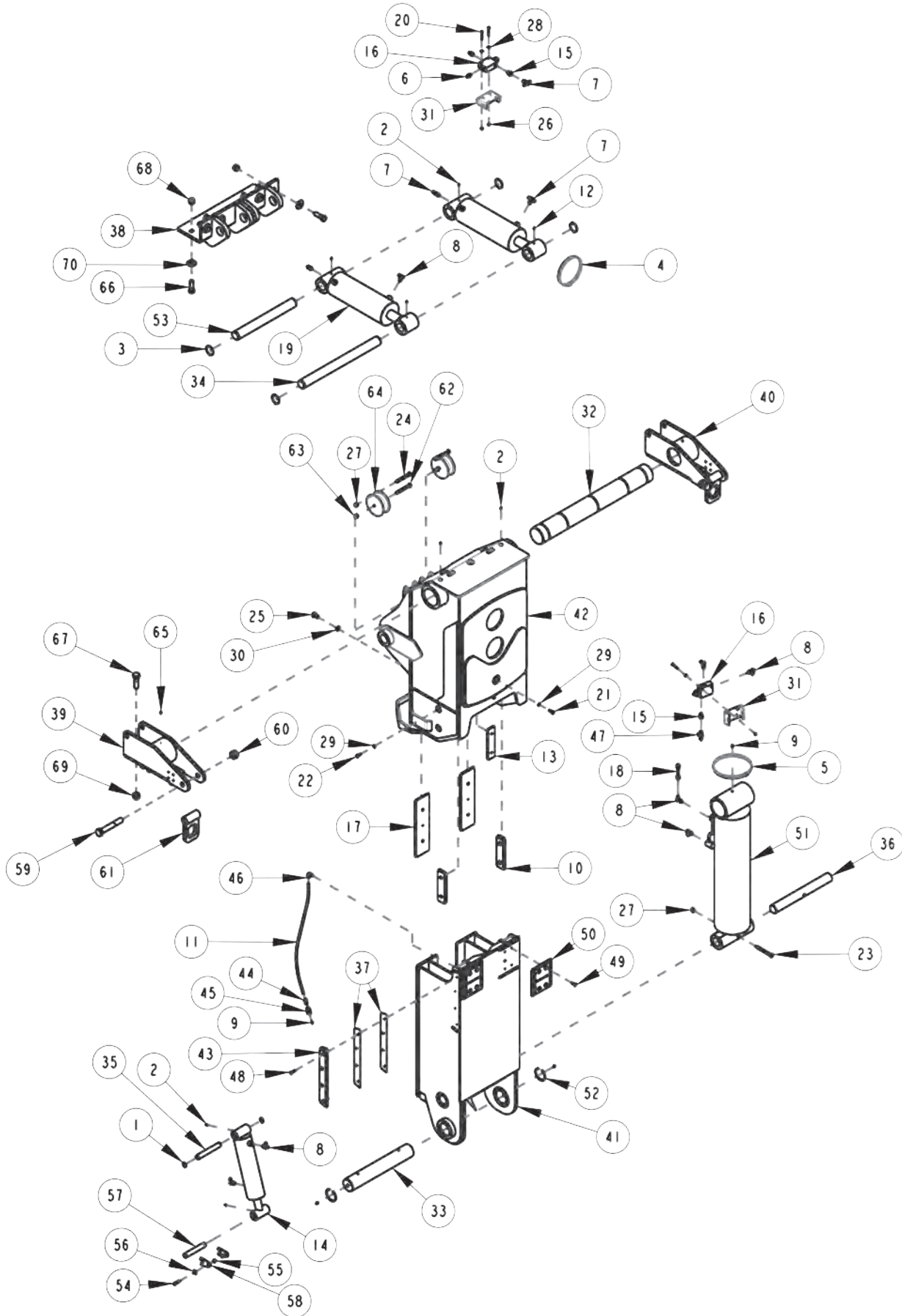
# Section I - PARTS

## RECOVERY BOOM HYDRAULICS

ITEM	PART NUMBER	DESCRIPTION	QTY
--	0911549	LIFT CYL. ASSEMBLY 1150	--
1	0300657	HOSE, HYDRAULIC 46" LG	4
2	0301388	FITTING, 90ELL, 8MJ-8MB90	4
3	0302574	FITTING-BULKHEAD RUN TEE	2
4	0307629	CYL., BOOM LIFT	2
--	0911877	KIT, SWIVEL PKG HYDRAULIC ROTARY	--
5	0300041	FITTING, CONNECTOR 8MJ-8MB	5
6	0301388	FITTING, 90ELL, 8MJ-8MB90	6
7	0301445	FITTING, EXTENDED	3
8	0301471	HOSE, HYDRAULIC 30"	4
9	0310083	SWIVEL, HYDRAULIC	1
--	0911450	EXTEND SYSTEM	--
10	0301388	FITTING, 90ELL, 8MJ-8MB90	2
11	0311664	CYLINDER	1
--	0911317	WALVOIL VALVE ASSY 5 WINCH ROT	--
12	0300041	FITTING, CONNECTOR 8MJ-8MB	5
13	0301445	FITTING, EXTENDED	5
14	0311130	VALVE-CONTROL 13 SPOOL ROTATOR	1
--	0911318	HOSE KIT-WV PROP 5 WINCH	--
15	AWS-6821-A	HOSE, HYDRAULIC-PRESSURE	4

# Section I - PARTS

## SDU/4 UNDERLIFT ASSEMBLY



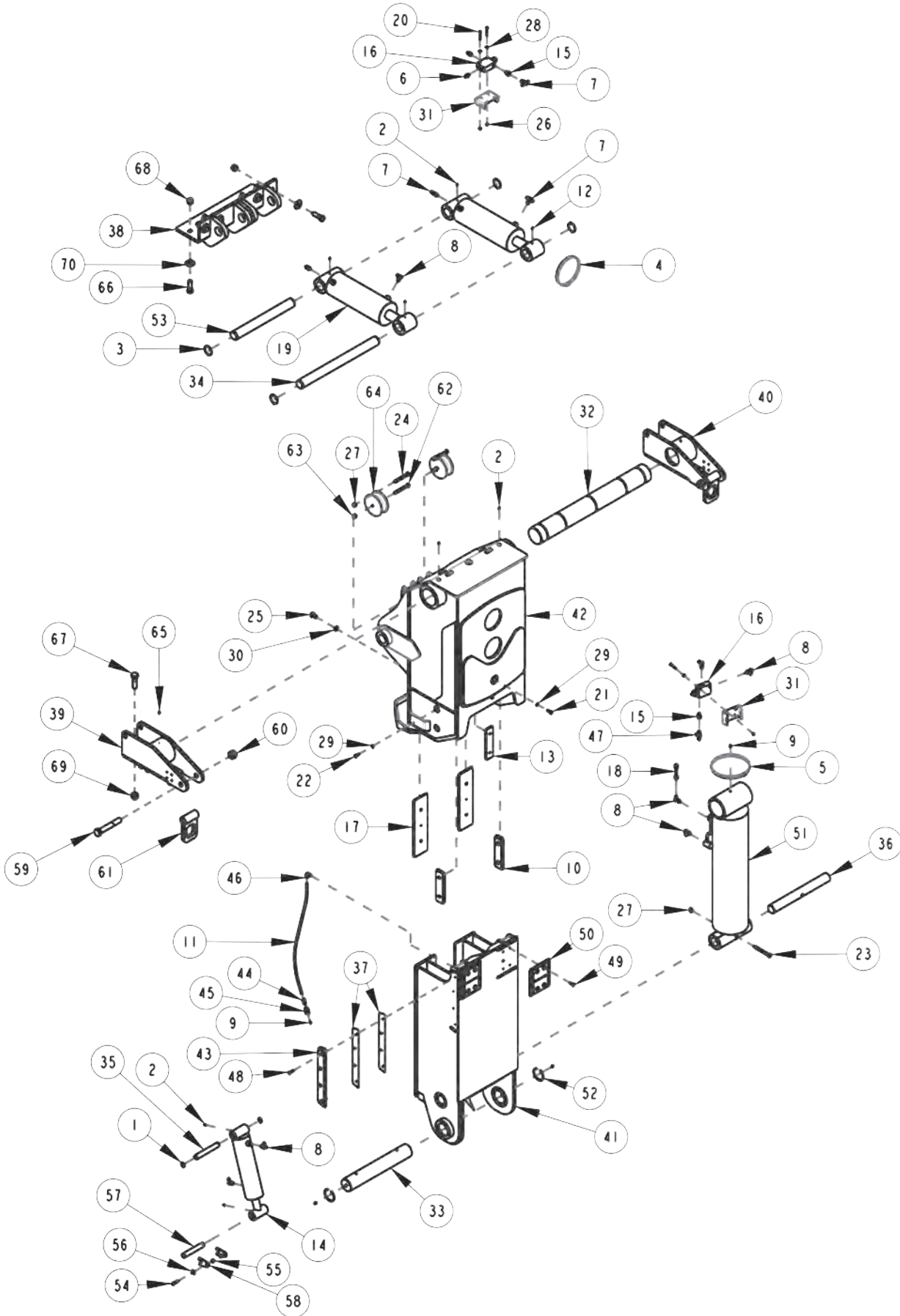
# Section I - PARTS

## SDU/4 UNDERLIFT ASSEMBLY

ITEM	PART NUMBER	DESCRIPTION	QTY
--	09000106	UNDERLIFT/MAST SDU/4 ASSEMBLY	--
1	0300110	SNAP RING, 1" 5100-100	2
2	0300113	GREASE FITTING,1/4-28 STRAIGHT	6
3	0300329	SNAP RING, EXTERNAL 2	4
4	0300365	CLAMP,CHECK VALVE RET.7	1
5	0300644	HOSE CLAMP, 8" 68452/1	1
6	0301522	FITTING, CONNECTOR 6MJ-6MB	2
7	0301619	FITT, 6MJ-6MJ-6MB BRANCH TEE	3
8	0301620	FITTING, HYD. 6MJ - 6MB90	8
9	0301895	GREASE FITTING, 1/8 STR PTF	7
10	0301924	SLIDE PAD - BOOM SIDE	1
11	0301949	3/8" OD SYN FLEX HOSE 100'	6 FT
12	0302726	GREASE FITTING, 1/4-28 45	2
13	0303892	SLIDE PAD-BOOM-SIDE	2
14	0306746	CYL HYD - FOLD	1
15	0307106	FITT, CONNECTOR 4MB-6FB	2
16	0307107	VALVE, HOLDING 4000 PSI SAE	2
17	0307351	SLIDE-PAD SDU/2 U/L	2
18	0307417	TUBE ASSEMBLY, HYD 3/8 ODx.035Wx3"	1
19	0311242	CYLINDER - TILT SDU/4	2
20	0400078	SCREW, 1/4-20X2 HHC GR5	4
21	0400126	SCREW, 3/8-16X1 HHC GR5	6
22	0400141	SCREW, 3/8-16X7/8 HHC GR5	6
23	0400219	SCREW, 1/2-13X4-1/2 HHC GR5	1
24	0400237	SCREW, 1/2-13X4 HHC GR5	4
25	0400248	SCREW, 5/8-11X1 HHC GR8	4
26	0400367	NUT, 1/4-20 LOCK	4
27	0400408	NUT, 1/2-13 LOCK	5
28	0400451	WASHER, 1/4	4
29	0400482	LOCKWASHER 3/8	6
30	0400508	LOCKWASHER 5/8	4
31	0703001	BRACKET, MTG CHECK VALVE	2
32	0709242	PIN, MAIN PIVOT	1
33	0714209	PIN - PIVOT	1
34	0714218	PIN - TILT CYLINDER	1
35	0714240	PIN - FOLD CYLINDER	1
36	0717919	PIN, LIFT CYLINDER	1
37	0718912	SHIM, VERTICAL BOOM GUIDE	4
38	0804034	TILT CYL MTG BRACKET	1
39	0804303	SUPPORT-LEFT PIVOT WLDMT	1
40	0804304	SUPPORT-RIGHT PIVOT WLDMT	1
41	0806658	MAST-SDU/3 INNER WELD'T	1
42	0807204	SDU OUTER MAST WELD'T	1
43	805040011	VERTICAL BOOM GUIDE PAD	2
44	9012549	CONNECTOR-MALE 3/8TUBEX1	2
45	9012552	BULKHEAD ADAPTER 1/8M-1/8F NPT	2
46	9012584	ELBOW-1/4NPT X 3/8TUBE 9	2
47	9012594	FITT,HYD RUN TEE, 6MJx6MBx6MJ	1
48	9043973	5/16-18X1 1/2 FL.HD.SOC.	8
49	9044434	3/8-16X1 NC FLAT SOCKET HD CAP	4
50	945030004	UPPER WEAR PAD-RECOVERY	2

# Section I - PARTS

## SDU/4 UNDERLIFT ASSEMBLY (Cont'd)





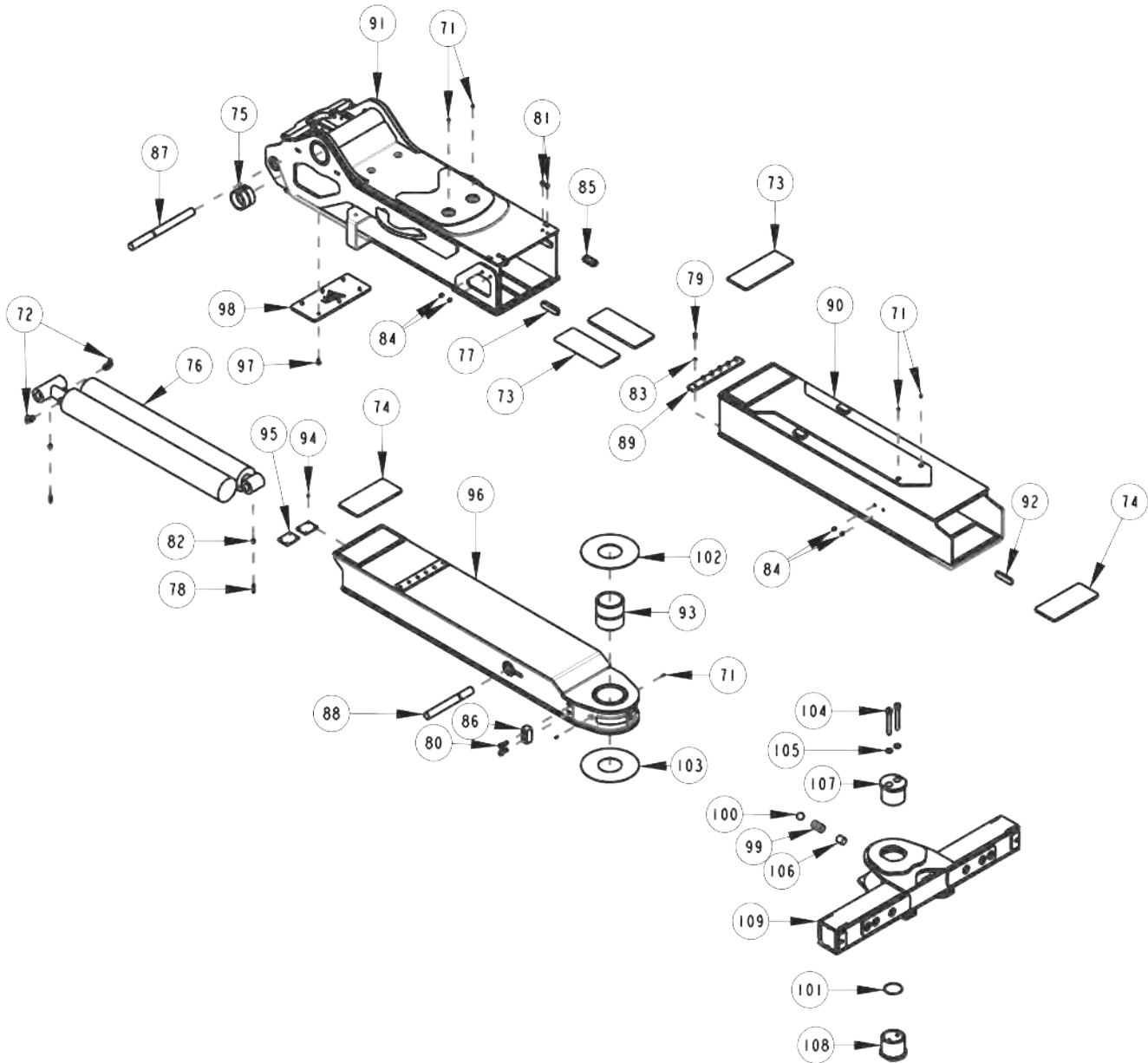
## Section I - PARTS

### SDU/4 UNDERLIFT ASSEMBLY (cont'd)

ITEM	PART NUMBER	DESCRIPTION	QTY
51	HC0159	CYL., LIFT-7 BORE CHROME	1
52	HD0152	SNAP RING, 3" INTERNAL	2
53	UK0126	PIN-TILT CYL.-BASE END	1
--	0911362	PIN ASSEMBLY-FOLD	--
54	0400132	SCREW, 3/8-16X1-1/2 HHC GR5	2
55	0400392	NUT, 3/8-16 LOCK	2
56	0400480	WASHER, 3/8	2
57	0724977	PIN	1
58	0724978	KEEPER PLATE	2
--	0911958	KIT, ROTATOR CABLE TIEBACK	--
59	0400338	SCREW, 1-8X6-1/2 HHC GR8	2
60	0400443	NUT, 1-8 LOCK GR8	2
61	0806989	PLATE, FABRICATED D-RING	2
--	0904785	HOSE TENSION KIT	--
62	0400191	SCREW, 1/2-13X3-3/4 HHC GR5	4
63	0400408	NUT, 1/2-13 LOCK	4
64	0703484	PULLEY, HOSE TENSIONER	2
--	0904652	INSTA SDU/2, 3,OR 4 FIX & ROT.	--
65	0300113	GREASE FITTING, 1/4-28 STR	2
66	0400288	SCREW, 3/4-10X2-1/2 HHC GR8	8
67	0400306	SCREW, 7/8-9X3 HHC GR8	8
68	0400431	NUT, 3/4-10 LOCK GR8	8
69	0400437	NUT, 7/8-9 LOCK GR8	8
70	0400489	WASHER, 3/4 SAE GR8	8

# Section I - PARTS

## SDU/4 HORIZONTAL BOOM ASSEMBLY



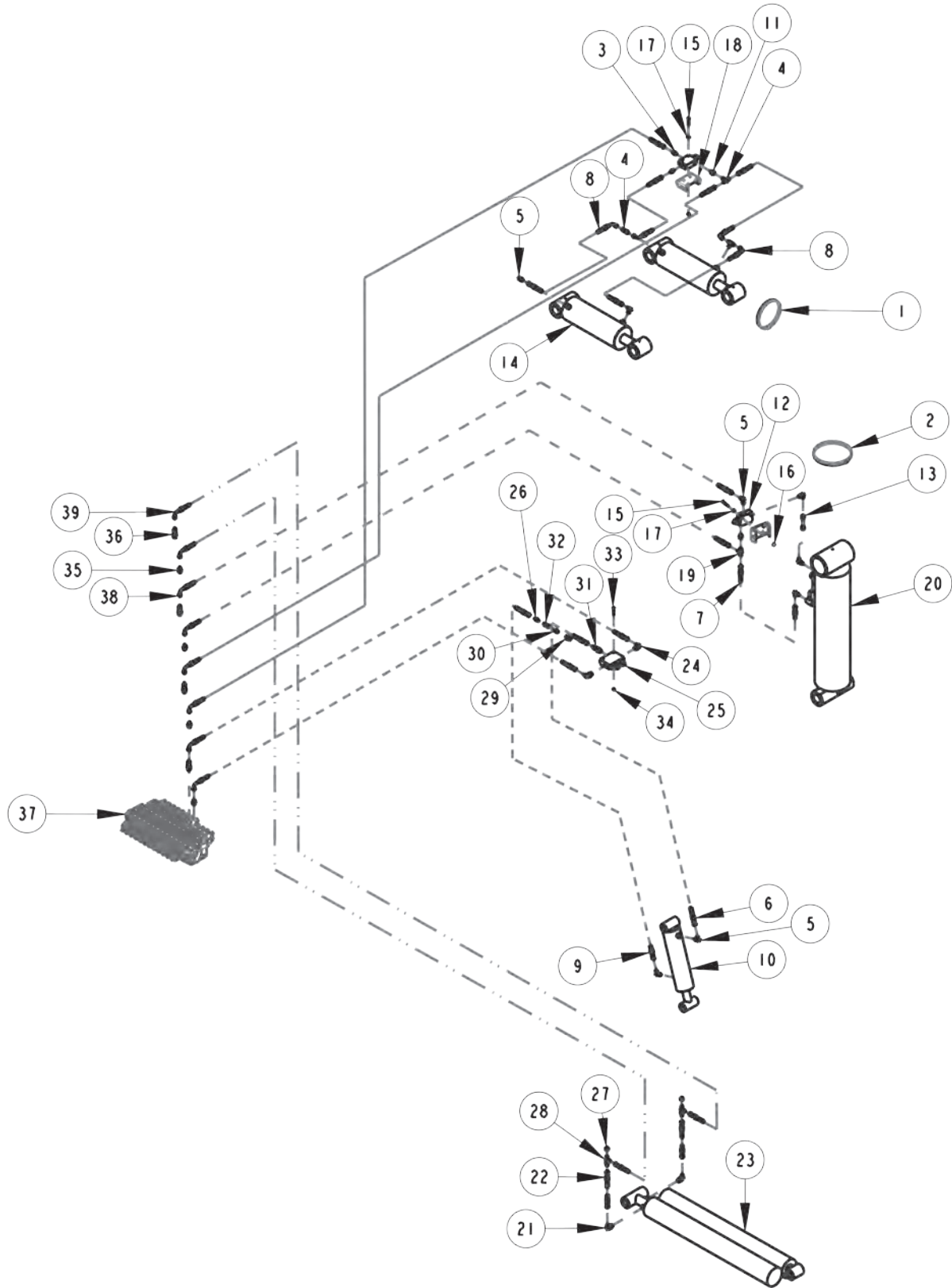
# Section I - PARTS

## SDU/4 HORIZONTAL BOOM ASSEMBLY

ITEM	PART NUMBER	DESCRIPTION	QTY
--	0907810	BOOM-SDU/4 HORTZ ASSEMBLY	--
71	0300113	GREASE FITTING, 1/4-28 STR	8
72	0301470	FITTING, 90ELB 6MJ-8MB90	2
73	0301817	SLIDE PAD-HORIZ BOOM NYL	3
74	0301818	SLIDE PAD-HORIZ BOOM	2
75	0302538	BUSHING - U/L	2
76	0303501	CYL HYD EXT-3m U/LIFT H/CHROME	1
77	0307013	PAD - WEAR	2
78	0400139	SET SCREW, 3/8-16X1-1/2 SOC	2
79	0400151	SCREW, 3/8-24X3/4 HHC GR5	6
80	0400196	SCREW, 1/2-13X1-1/4 SHC	4
81	0400228	SCREW, 3/8-24X5/8 BSC	4
82	0400392	NUT, 3/8-16 LOCK	2
83	0400481	LKWASHER, 3/8 EXT	6
84	0400990	SET SCREW, 1/2-13X1/2 SOC	8
85	0707034	PLATE, STOP	2
86	0710450	BAR, RETRACT	2
87	0712195	SHAFT, EXTEND CYL	1
88	0718764	SHAFT - EXTEND CYL	1
89	0719515	PLATE, STOP	1
90	0803441	BOOM-2ND STAGE U/L WELDMENT	1
91	0807434	SDU 4 OUTER STINGER WELDMENT	1
92	BK2003	WEAR PAD - BOOM	2
--	0903901	BOOM-U/L INNER ASSEMBLY	--
93	0303088	BUSHING - PIVOT PIN	1
94	0400044	SCREW, 10X1/2 DRV	8
95	0703277	PAD, SLIDER	2
96	0803442	BOOM-U/L INNER WELDT 3RD STAGE	1
--	124004464	ALUMINUM HEEL PLATE-14" SDU/4&COACH	--
97	0400155	SCREW, 3/8-16X3/4 FHS	6
98	0724683	UNDERLIFT HEEL BOARD-LOWRIDER	1
--	0910935	XBAR ASY HRDWR-XHD 5X5 CENTURY	--
99	0301197	COMP.SPRING,CROSS BAR,FI	1
100	0301398	STEEL BALL, 1-3/16 DIA	1
101	0301822	O-RING - PIVOT PIN	1
102	0303097	THRUST WASHER - 1/8 THK	1
103	0303098	THRUST WASHER - 1/16 THK	2
104	0400271	SCREW, 5/8-11X4-1/2 HHC	2
105	0400508	LOCKWASHER 5/8	2
106	0708470	SPACER, DETENT BALL SPRG	1
107	0724980	PIN-TOP HALF PIVOT	1
108	0724981	PIN-BOTTOM HALF PIVOT	1
109	0807124	CROSSBAR WELDMENT 25K, CENTURY	1

# Section I - PARTS

## SDU/4 UNDERLIFT HYDRAULICS



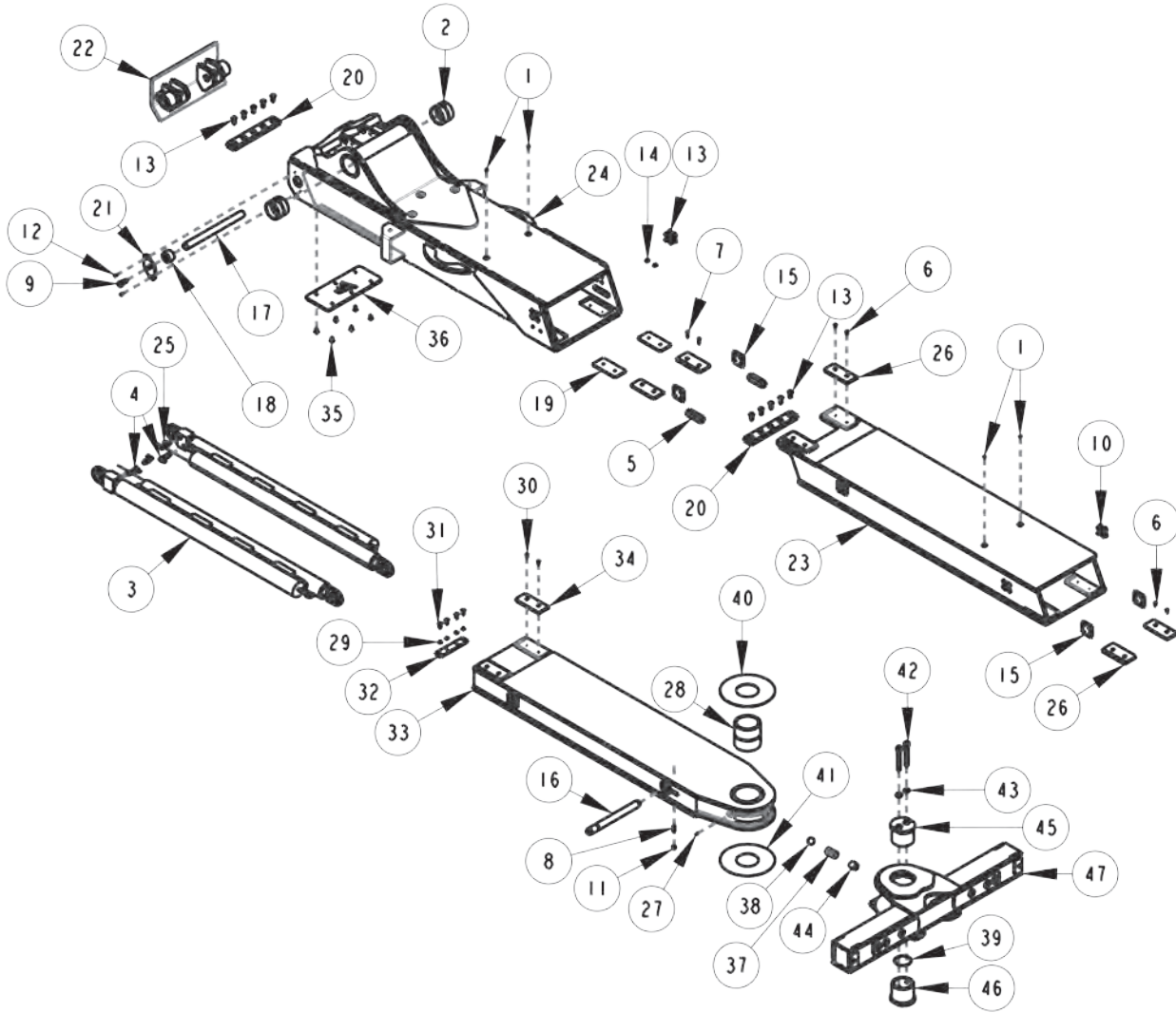
# Section I - PARTS

## SDU/4 UNDERLIFT HYDRAULICS

ITEM	PART NUMBER	DESCRIPTION	QTY
--	09000106	UNDERLIFT/MAST SDU/4 ASSEMBLY	--
1	0300365	CLAMP,CHECK VALVE RET.7	1
2	0300644	HOSE CLAMP, 8" 68452/1	1
3	0301522	FITTING, CONNECTOR 6MJ-6MB	2
4	0301619	FITT, 6MJ-6MJ-6MB BRANCH TEE	3
5	0301620	FITTING, HYDRAULIC. 6MJ - 6MB90	8
6	0301662	HOSE, HYDRAULIC 120" 6M1T 6FJX-6FJX	1
7	0302000	HOSE, HYDRAULIC 24"	1
8	0302808	HOSE, HYDRAULIC 18" LG	4
9	0302813	HOSE, HYDRAULIC 108" LG	1
10	0306746	CYL HYD - FOLD	1
11	0307106	FITT, CONNECTOR 4MB-6FB	2
12	0307107	VALVE, HOLDING 4000 PSI SAE	2
13	0307417	TUBE ASSEMBLY, HYD. 3/8 OD x .035 W x 3"	1
14	0311242	CYL., TILT SDU/4	2
15	0400078	SCREW, 1/4-20X2 HHC GR5	4
16	0400367	NUT, 1/4-20 LOCK	4
17	0400451	WASHER, 1/4	4
18	0703001	BRACKET, MTG CHECK VALVE	2
19	9012594	FITTING, HYD. RUN TEE, 6MJx6MBx6MJ	1
20	HC0159	CYL., LIFT 7 BORE	1
--	0907810	BOOM-SDU/4 HORTZ ASSEMBLY	--
21	0301470	FITTING, 90ELB 6MJ-8MB90	2
22	0303187	HOSE, HYDRAULIC 141" LG	2
23	0303501	CYL HYD EXT-3m U/LIFT H/CHROME	1
--	0910316	U/L INSTALLATION	--
24	0301470	FITTING, 90ELB 6MJ-8MB90	2
25	0301730	VALVE, DOUBLE HOLDING	1
26	0301837	INLINE ORIFICE	1
27	0302065	FITTING, 6-FJ CAP	1
28	0302575	FITTING-BULKHEAD RUN TEE	1
29	0303017	FITTING, CONNECTOR	1
30	0307042	FITTING,ORIFICE(6MJ-6MBR-3/64)	1
31	0310289	FITTING-LONG ADAPTER 6MJ-8MBLL	1
32	0310698	FITTING-CONNECTOR 6FJX-6FJX	1
33	0400078	SCREW, 1/4-20X2 HHC GR5	2
34	0400367	NUT, 1/4-20 LOCK	2
--	0911317	WALVOIL VALVE ASSY 5 WINCH ROT	--
35	0300044	FITT, HYD CONN. 6MJ-8MB	4
36	0310289	FITTING-LONG ADAPTER 6MJ-8MBLL	4
37	0311130	VALVE-CONTROL 13 SPOOL ROTATOR	1
--	0911318	HOSE KIT - WV PROPORTIONAL 5 WINCH	--
38	0302585	HOSE, HYDRAULIC 54"	2
39	0302604	HOSE, HYDRAULIC 44"	6

# Section I - PARTS

## SDU/4 HORIZONTAL BOOM ASSEMBLY (COACH LOWRIDER)



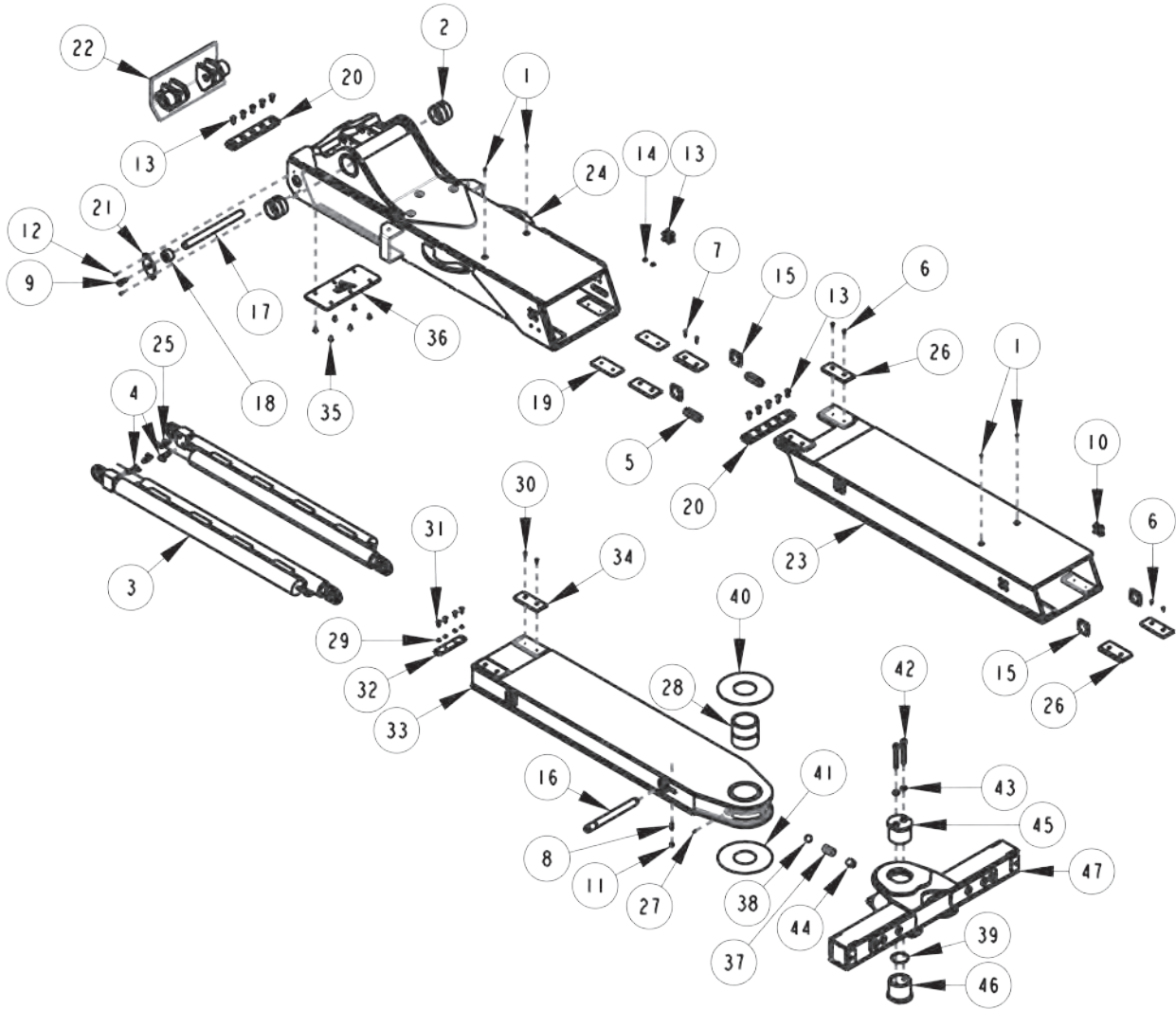
## Section I - PARTS

### SDU/4 HORIZONTAL BOOM ASSEMBLY (COACH LOWRIDER)

ITEM	PART NUMBER	DESCRIPTION	QTY
--	0911405	LOWRIDER ASSY (SDU-4) COACH	--
1	0300113	GREASE FITTING, 1/4-28 STR	4
2	0302538	BUSHING - U/L	2
3	0307425	CYL, HYD - U/L BOOM EXTEND	2
4	0307460	FITTING, HYD 6MJ-6MB90LL	2
5	0311442	WEAR PAD (15/16 x 1 x 4)	2
6	0400079	SCREW, 1/4-20X3/4 FHS GR5	8
7	0400086	SCREW, 1/4-20X1-1/4 FHS	4
8	0400139	SET SCREW, 3/8-16X1-1/2 SOC	1
9	0400249	SCREW, 5/8-11X1-1/4 SHC	2
10	0400344	SCREW, 1/2-13X3/4 FHS GR8	8
11	0400392	NUT, 3/8-16 LOCK	1
12	0400594	SCREW, 1/4-20X5/8 FHS	4
13	0400749	SCREW, 1/2-13X1-1/4 FHS	18
14	0400990	SET SCREW, 1/2-13X1/2 SOC	4
15	0717869	PLATE, SPACER (BOLT-ON)	4
16	0717871	PIN, CYL. ROD	1
17	0717872	PIN, EXTEND CYL. BASE	1
18	0717873	PIN, SHEAR OUTER BOOM	2
19	0718087	PLATE - PAD SPACER	2
20	0718096	BLOCK, STOP	2
21	0724419	PLATE-PLUG RETAINER	2
22	0806812	BRACKET - EXTEND CYL.	1
23	0810106	2nd STAGE BOOM WELDMENT	1
24	0810134	OUTER BOOM WELDMENT SDU-4 LOWRIDER	1
25	9012594	FITT, HYD RUN TEE, 6MJx6MBx6MJ	2
26	930150003	TOP PADS	6
--	0908282	INNER BOOM ASSY	--
27	0300113	GREASE FITTING, 1/4-28 STR	2
28	0303088	BUSHING - PIVOT PIN	1
29	0400483	LOCKWASHER 3/8 CET	4
30	0400594	SCREW, 1/4-20X5/8 FHS	4
31	0400653	SCREW, 3/8-24X1 FHS	4
32	0706996	PAD, SPACER	1
33	0806813	BOOM - 3rd STAGE WELDMENT U/L	1
34	930150003	TOP PADS	2
--	124004464	ALUMINUM HEEL PLATE-14" SDU4&COACH	--
35	0400155	SCREW, 3/8-16X3/4 FHS	6
36	0724683	UNDERLIFT HEEL BOARD-LOWRIDER	1

# Section I - PARTS

## SDU/4 HORIZONTAL BOOM ASSEMBLY - (COACH LOWRIDER)





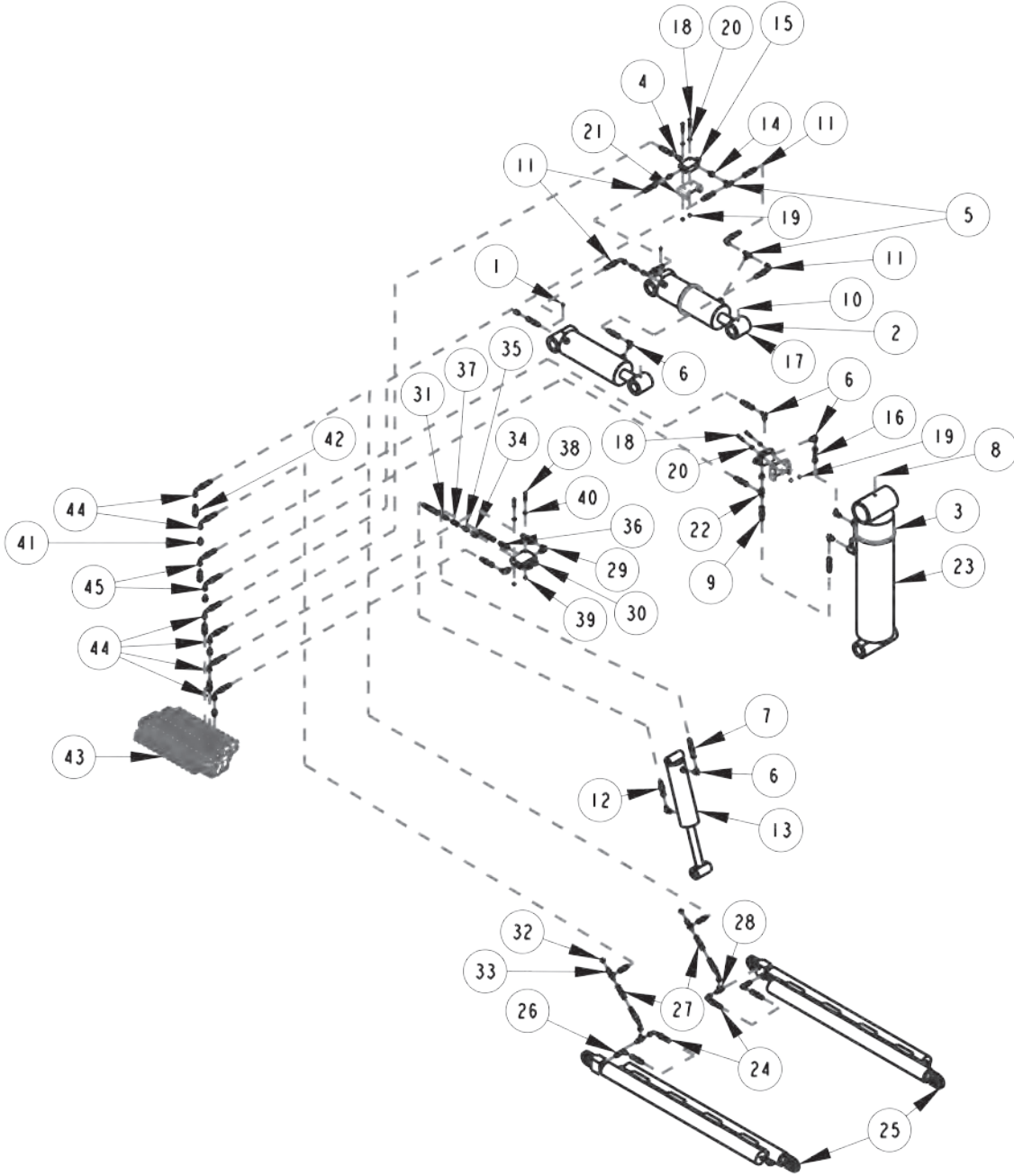
## Section I - PARTS

### SDU/4 HORIZONTAL BOOM ASSEMBLY - (COACH LOWRIDER)

ITEM	PART NUMBER	DESCRIPTION	QTY
--	0910935	XBAR ASY HRDWR-XHD 5X5 CENTURY	--
37	0301197	COMP.SPRING,CROSS BAR,FI	1
38	0301398	STEEL BALL, 1-3/16 DIA	1
39	0301822	O-RING - PIVOT PIN	1
40	0303097	THRUST WASHER - 1/8 THK	1
41	0303098	THRUST WASHER - 1/16 THK	2
42	0400271	SCREW, 5/8-11X4-1/2 HHC	2
43	0400508	LOCKWASHER 5/8	2
44	0708470	SPACER, DETENT BALL SPRG	1
45	0724980	PIN-TOP HALF PIVOT	1
46	0724981	PIN-BOTTOM HALF PIVOT	1
47	0807124	CROSSBAR WELDMENT 25K, CENTURY	1

# Section I - PARTS

## SDU/4 UNDERLIFT HYDRAULICS (COACH LOWRIDER)



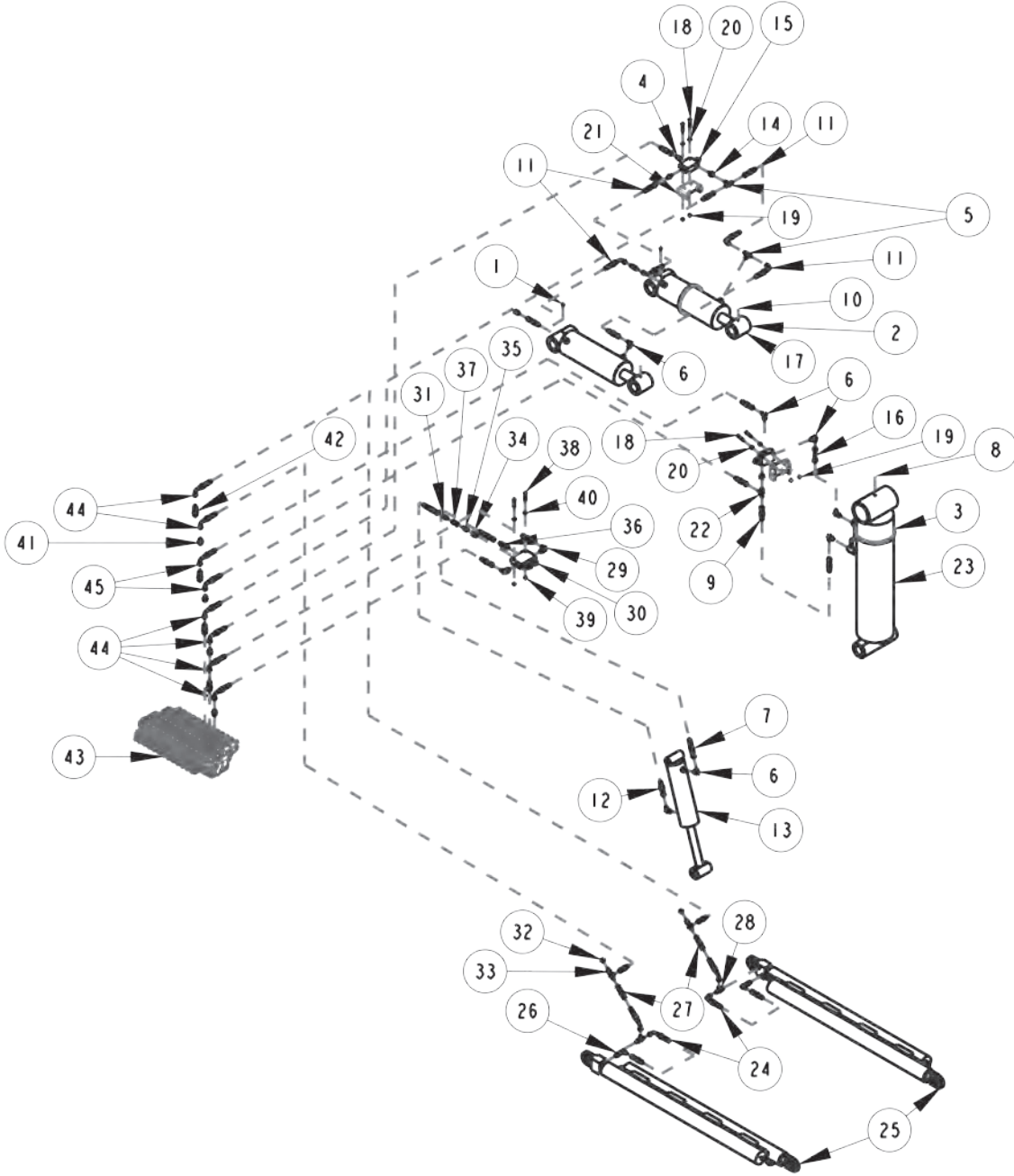
## Section I - PARTS

### SDU/4 UNDERLIFT HYDRAULICS (COACH LOWRIDER)

ITEM	PART NUMBER	DESCRIPTION	QTY
--	09000211	SDU/4 COACH LOW-RIDER U/L ASSY	--
1	0300113	GREASE FITTING, 1/4-28 STR	6
2	0300365	CLAMP,CHECK VALVE RET.7	1
3	0300644	HOSE CLAMP, 8" 68452/1	1
4	0301522	FITTING, CONNECTOR 6MJ-6MB	2
5	0301619	FITT, 6MJ-6MJ-6MB BRANCH TEE	3
6	0301620	FITTING, HYDRAULIC. 6MJ - 6MB90	8
7	0301662	HOSE ASSEMBLY, 120" 6M1T 6FJX-6FJX	1
8	0301895	GREASE FITTING, 1/8 STR PTF	5
9	0302000	HOSE ASSEMBLY, 24"	1
10	0302726	GREASE FITTING, 1/4-28 45	2
11	0302808	HOSE ASSEMBLY, 18" LG	4
12	0302813	HOSE ASSEMBLY, 108" LG	1
13	0306746	CYL HYD - FOLD	1
14	0307106	FITT, CONNECTOR 4MB-6FB	2
15	0307107	VALVE, HOLDING 4000 PSI SAE	2
16	0307417	TUBE ASSY, HYDRAULIC 3/8 OD x .035 W x 3"	1
17	0311242	CYL., TILT SDU/4	2
18	0400078	SCREW, 1/4-20X2 HHC GR5	4
19	0400367	NUT, 1/4-20 LOCK	4
20	0400451	WASHER, 1/4	4
21	0703001	BRACKET, MTG CHECK VALVE	2
22	9012594	FITTING, HYD. RUN TEE, 6MJx6MBx6MJ	1
23	HC0159	CYL., LIFT 7 BORE	1
--	0911405	LOWRIDER ASSEMBLY (SDU-4) COACH	--
24	0303968	HOSE ASSEMBLY, 10" LG	2
25	0307425	CYL., U/L BOOM EXTEND	2
26	0307460	FITTING, HYDRAULIC 6MJ-6MB90LL	2
27	0312349	HOSE ASSEMBLY 141" 6M2T 6FJX-6FJX45	2
28	9012594	FITTING, HYD. RUN TEE, 6MJx6MBx6MJ	2
--	0910316	INSTALLATION SDU/2, 3, 4 FIXED & ROTATOR	--
29	0301470	FITTING, 90ELB 6MJ-8MB90	2
30	0301730	VALVE, DOUBLE HOLDING	1
31	0301837	INLINE ORIFICE	1
32	0302065	FITTING, 6-FJ CAP	1
33	0302575	FITTING-BULKHEAD RUN TEE	1
34	0303017	FITTING, CONNECTOR	1
35	0307042	FITTING,ORIFICE(6MJ-6MBR-3/64)	1
36	0310289	FITTING-LONG ADAPTER 6MJ-8MBLL	1
37	0310698	FITTING-CONNECTOR 6FJX-6FJX	1
38	0400078	SCREW, 1/4-20X2 HHC GR5	2
39	0400367	NUT, 1/4-20 LOCK	2
40	0400451	WASHER, 1/4	2
--	0911317	WALVOIL VALVE ASSY 5 WINCH ROT	--
41	0300044	FITTING, CONNECTOR 6MJ-8MB	4
42	0310289	FITTING-LONG ADAPTER 6MJ-8MBLL	4
43	0311448	VALVE CONTROL 13 SPL ROTATOR 24V WV	1

# Section I - PARTS

## SDU/4 UNDERLIFT HYDRAULICS (COACH LOWRIDER)



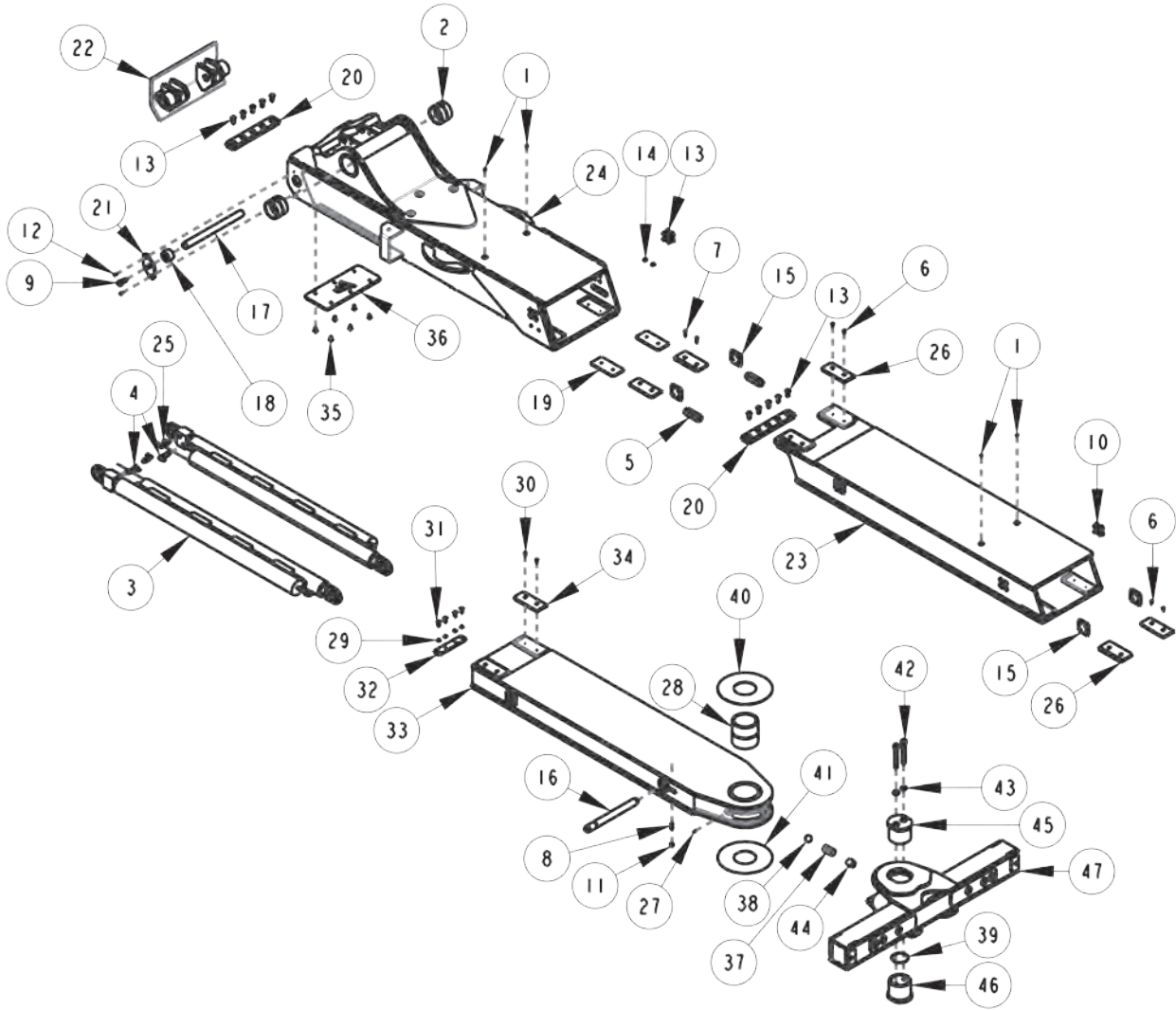
# Section I - PARTS

## SDU/4 UNDERLIFT HYDRAULICS (COACH LOWRIDER)

ITEM	PART NUMBER	DESCRIPTION	QTY
--	0911318	HOSE KIT - WL PROPORTIONAL 5 WINCH	--
44	0302604	HOSE ASSEMBLY, 44"	6
45	0302585	HOSE ASSEMBLY, 54"	2

# Section I - PARTS

## SDU/4 HORIZONTAL BOOM ASSEMBLY (STREET LOWRIDER)



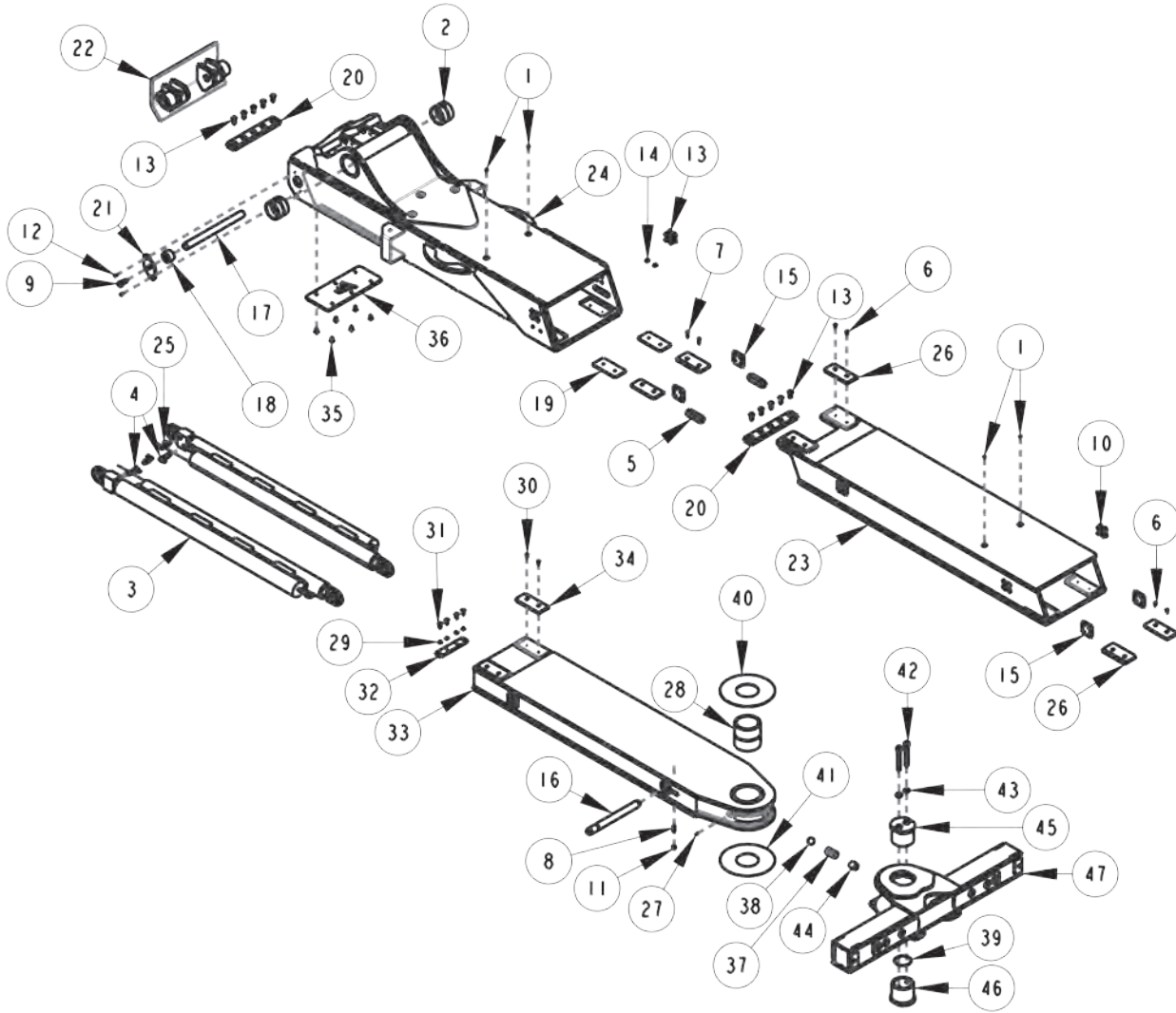
## Section I - PARTS

### SDU/4 HORIZONTAL BOOM ASSEMBLY (STREET LOWRIDER)

ITEM	PART NUMBER	DESCRIPTION	QTY
--	0911589	LOWRIDER ASSY-SDU4 STREET 100K	--
1	0300113	GREASE FITTING, 1/4-28 STR	4
2	0302538	BUSHING - U/L	2
3	0307460	FITTING, HYD 6MJ-6MB90LL	2
4	0310629	CYL, HYD - U/L BOOM EXTEND	2
5	0311442	WEAR PAD (15/16 x 1 x 4)	2
6	0400079	SCREW, 1/4-20X3/4 FHS GR5	8
7	0400086	SCREW, 1/4-20X1-1/4 FHS	4
8	0400139	SET SCREW, 3/8-16X1-1/2 SOC	1
9	0400249	SCREW, 5/8-11X1-1/4 SHC	2
10	0400344	SCREW, 1/2-13X3/4 FHS GR8	8
11	0400392	NUT, 3/8-16 LOCK	1
12	0400594	SCREW, 1/4-20X5/8 FHS	4
13	0400749	SCREW, 1/2-13X1-1/4 FHS	18
14	0400990	SET SCREW, 1/2-13X1/2 SOC	4
15	0717869	PLATE, SPACER (BOLT-ON)	4
16	0717871	PIN, CYL. ROD	1
17	0717872	PIN, EXTEND CYL. BASE	1
18	0717873	PIN, SHEAR OUTER BOOM	2
19	0718087	PLATE - PAD SPACER	2
20	0718096	BLOCK, STOP	2
21	0724419	PLATE-PLUG RETAINER	2
22	0810014	BRACKET - EXTEND CYL.	1
23	0810148	2nd STAGE BOOM WELDMENT - 9055 LR	1
24	0810290	OUTER WLDMT-SDU4 STREET LOWRIDER	1
25	9012594	FITT, HYD RUN TEE, 6MJx6MBx6MJ	2
26	930150003	TOP PADS	6
--	0911040	LOWRIDER 3 INNER ASSY	--
27	0300113	GREASE FITTING, 1/4-28 STR	2
28	0303088	BUSHING - PIVOT PIN	1
29	0400483	LOCKWASHER 3/8 CET	4
30	0400594	SCREW, 1/4-20X5/8 FHS	4
31	0400653	SCREW, 3/8-24X1 FHS	4
32	0706996	PAD, SPACER	1
33	0807975	INNER UL BOOM 7035 LOWRIDER 3	1
34	930150003	TOP PADS	2
--	124004467	ALUM HEEL PLATE 17" STREET LRD	--
35	0400155	SCREW, 3/8-16X3/4 FHS	6
36	0724686	UNDERLIFT HEEL BOARD-4 LRIDER	1

# Section I - PARTS

## SDU/4 HORIZONTAL BOOM ASSEMBLY - (STREET LOWRIDER)





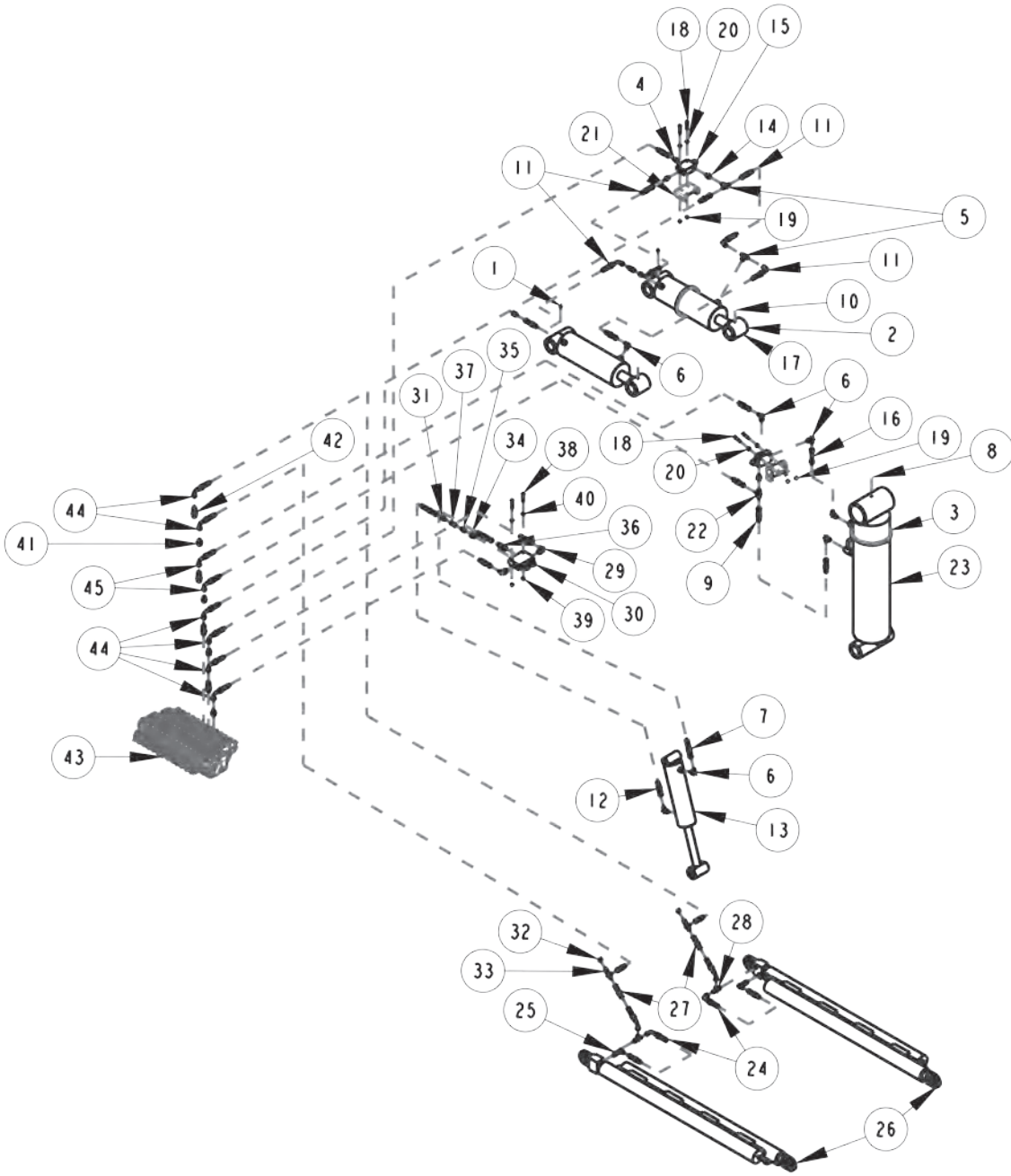
## Section I - PARTS

### SDU/4 HORIZONTAL BOOM ASSEMBLY - (STREET LOWRIDER)

ITEM	PART NUMBER	DESCRIPTION	QTY
--	0910935	XBAR ASY HRDWR-XHD 5X5 CENTURY	--
37	0301197	COMP.SPRING,CROSS BAR,FI	1
38	0301398	STEEL BALL, 1-3/16 DIA	1
39	0301822	O-RING - PIVOT PIN	1
40	0303097	THRUST WASHER - 1/8 THK	1
41	0303098	THRUST WASHER - 1/16 THK	2
42	0400271	SCREW, 5/8-11X4-1/2 HHC	2
43	0400508	LOCKWASHER 5/8	2
44	0708470	SPACER, DETENT BALL SPRG	1
45	0724980	PIN-TOP HALF PIVOT	1
46	0724981	PIN-BOTTOM HALF PIVOT	1
47	0807124	CROSSBAR WELDMENT 25K, CENTURY	1

# Section I - PARTS

## SDU/4 UNDERLIFT HYDRAULICS (STREET LOWRIDER)



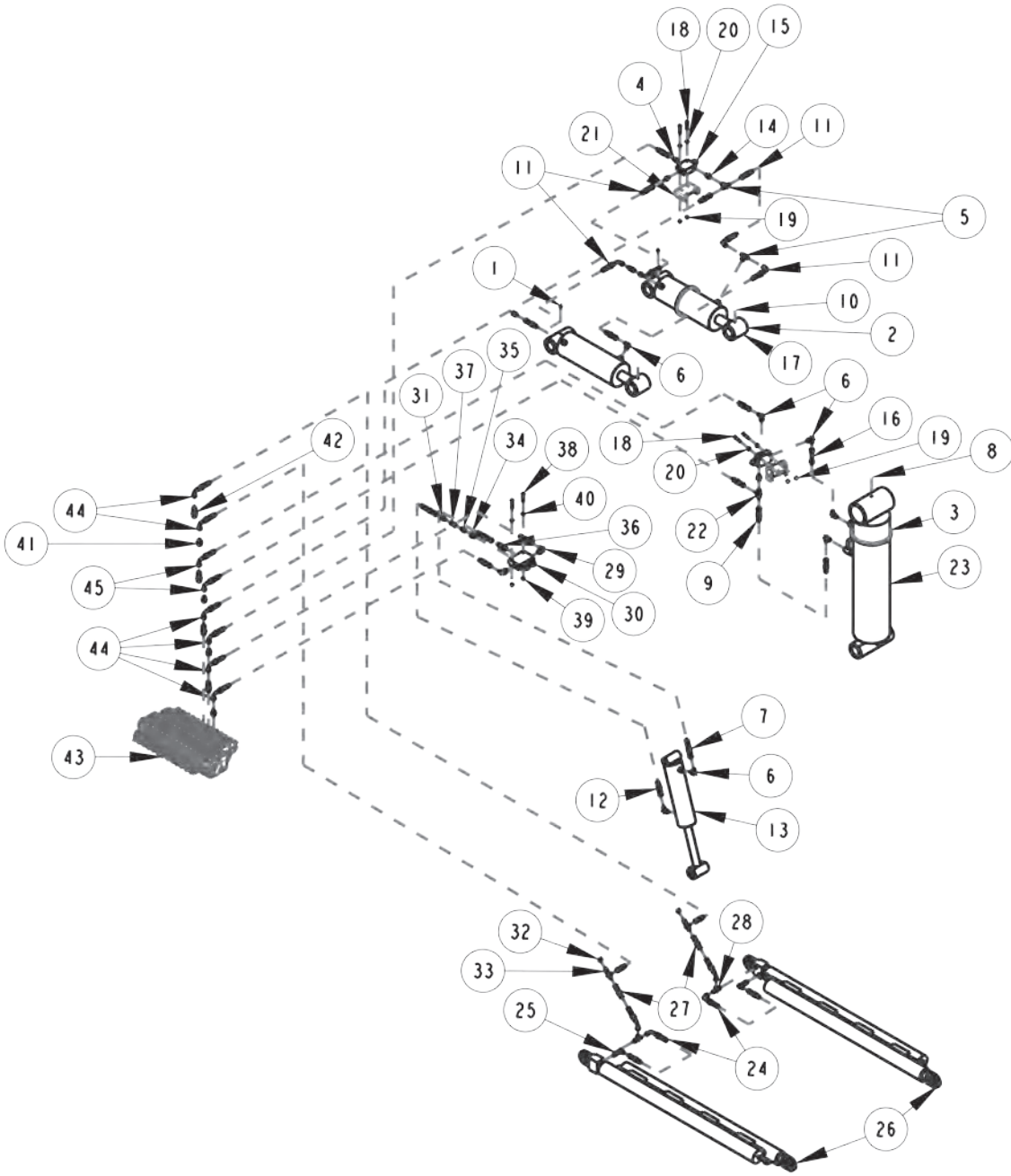
## Section I - PARTS

### SDU/4 UNDERLIFT HYDRAULICS (STREET LOWRIDER)

ITEM	PART NUMBER	DESCRIPTION	QTY
--	0911760	SDU4 STREET LOWRIDER&MAST ASY	--
1	0300113	GREASE FITTING, 1/4-28 STR	6
2	0300365	CLAMP,CHECK VALVE RET.7	1
3	0300644	HOSE CLAMP, 8" 68452/1	1
4	0301522	FITTING, CONNECTOR 6MJ-6MB	2
5	0301619	FITT, 6MJ-6MJ-6MB BRANCH TEE	3
6	0301620	FITTING, HYDRAULIC. 6MJ - 6MB90	8
7	0301662	HOSE ASSEMBLY, 120" 6M1T 6FJX-6FJX	1
8	0301895	GREASE FITTING, 1/8 STR PTF	5
9	0302000	HOSE ASSEMBLY, 24"	1
10	0302726	GREASE FITTING, 1/4-28 45	2
11	0302808	HOSE ASSEMBLY, 18" LG	4
12	0302813	HOSE ASSEMBLY, 108" LG	1
13	0306746	CYL HYD - FOLD	1
14	0307106	FITT, CONNECTOR 4MB-6FB	2
15	0307107	VALVE, HOLDING 4000 PSI SAE	2
16	0307417	TUBE ASSY, HYDRAULIC 3/8 OD x .035 W x 3"	1
17	0311242	CYL., TILT SDU/4	2
18	0400078	SCREW, 1/4-20X2 HHC GR5	4
19	0400367	NUT, 1/4-20 LOCK	4
20	0400451	WASHER, 1/4	4
21	0703001	BRACKET, MTG CHECK VALVE	2
22	9012594	FITTING, HYD. RUN TEE, 6MJx6MBx6MJ	1
23	HC0159	CYL., LIFT 7 BORE	1
--	0911589	LOWRIDER ASSY-SDU4 STREET 100K	--
24	0303968	HOSE ASSEMBLY, 10" LG	2
25	0307460	FITTING, HYDRAULIC 6MJ-6MB90LL	2
26	0310629	CYL, HYD - U/L BOOM EXTEND	2
27	0312349	HOSE ASSEMBLY 141" 6M2T 6FJX-6FJX45	2
28	9012594	FITTING, HYD. RUN TEE, 6MJx6MBx6MJ	2
--	0910316	INSTALLATION SDU/2, 3, 4 FIXED & ROTATOR	--
29	0301470	FITTING, 90ELB 6MJ-8MB90	2
30	0301730	VALVE, DOUBLE HOLDING	1
31	0301837	INLINE ORIFICE	1
32	0302065	FITTING, 6-FJ CAP	1
33	0302575	FITTING-BULKHEAD RUN TEE	1
34	0303017	FITTING, CONNECTOR	1
35	0307042	FITTING,ORIFICE(6MJ-6MBR-3/64)	1
36	0310289	FITTING-LONG ADAPTER 6MJ-8MBLL	1
37	0310698	FITTING-CONNECTOR 6FJX-6FJX	1
38	0400078	SCREW, 1/4-20X2 HHC GR5	2
39	0400367	NUT, 1/4-20 LOCK	2
40	0400451	WASHER, 1/4	2
--	0911317	WALVOIL VALVE ASSY 5 WINCH ROT	--
41	0300044	FITTING, CONNECTOR 6MJ-8MB	4
42	0310289	FITTING-LONG ADAPTER 6MJ-8MBLL	4
43	0311448	VALVE CONTROL 13 SPL ROTATOR 24V WV	1

# Section I - PARTS

## SDU/4 UNDERLIFT HYDRAULICS (STREET LOWRIDER)



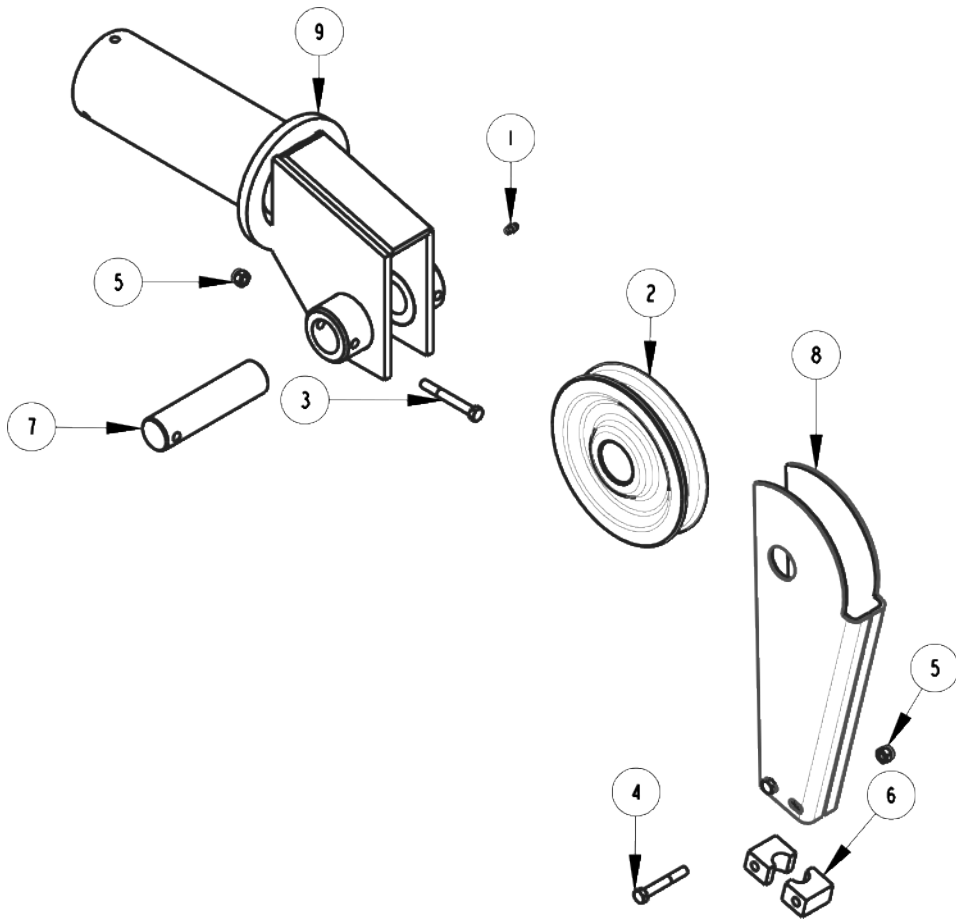
# Section I - PARTS

## SDU/4 UNDERLIFT HYDRAULICS (STREET LOWRIDER)

ITEM	PART NUMBER	DESCRIPTION	QTY
--	0911318	HOSE KIT - WL PROPORTIONAL 5 WINCH	--
44	0302604	HOSE ASSEMBLY, 44"	6
45	0302585	HOSE ASSEMBLY, 54"	2

# Section I - PARTS

## BOOM SWIVEL ASSEMBLY



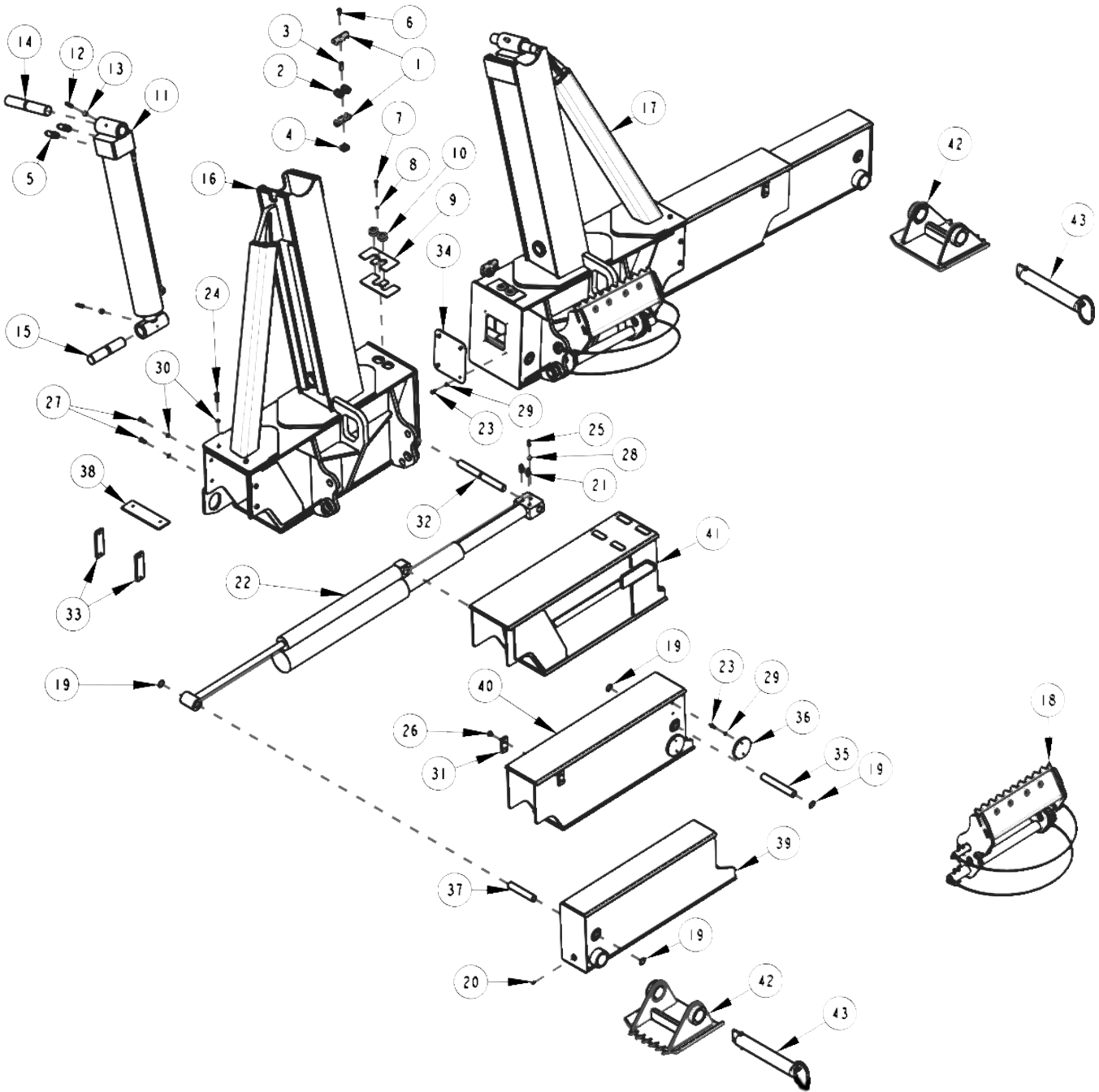
# Section I - PARTS

## BOOM SWIVEL ASSEMBLY

ITEM	PART NUMBER	DESCRIPTION	QTY
--	0906530	BOOM SWIVEL (SIDE WINCHES)	--
1	0300113	GREASE FITTING, 1/4"-28 STRAIGHT	2
2	0300626	SHEAVE,8" 58SHVBBAY 1.5	2
3	0400133	SCREW, 3/8"-16 X 3" HEX HD CAP GR 5 ZP	2
4	0400150	SCREW, 3/8"-16 X 2-1/2" HEX HD CAP GR 5 ZP	4
5	0400392	NUT, 3/8"-16 NYLOCK HEX ZP	6
6	0700801	GUIDE, BOTTOM CABLE	4
7	0716134	SHEAVE SHAFT	2
8	0800286	GUIDE-CABLE	2
9	0804448	BOOM END SWIVEL WLDT-FIII/4024	2
--	0906532	BOOM SWIVEL (DRAG WINCH)	--
1	0300113	GREASE FITTING, 1/4"-28 STRAIGHT	2
2	0303441	SHEAVE-10" DIA X 1.5 BORE	2
3	0400133	SCREW, 3/8"-16 X 3" HEX HD CAP GR 5 ZP	4
4	0400150	SCREW, 3/8-16X2-1/2 HHC GR5	2
5	0400392	NUT, 3/8"-16 NYLOCK HEX ZP	6
6	0700801	GUIDE, BOTTOM CABLE	4
7	0716134	SHAFT, SHEAVE	2
8	0803313	CABLE GUIDE WELDMENT	2
9	0804449	BOOM END SWIVEL WELDMENT	2
--	0906537	BOOM SWIVEL (RECOVERY BOOM)	--
1	0300113	GREASE FITTING, 1/4"-28 STRAIGHT	2
2	0300311	SHEAVE, 12-101BB 10	2
3	0400133	SCREW, 3/8"-16 X 3" HEX HD CAP GR 5 ZP	4
4	0400140	SCREW, 3/8"-16 X 4" HEX HD CAP GR 5 ZP	2
5	0400392	NUT, 3/8"-16 NYLOCK HEX ZP	6
6	0700511	GUIDE, BOTTOM CABLE	4
7	0700563	SHEAVE SHAFT	2
8	0802027	CABLE GUIDE WELDMENT	2
9	0804451	BOOM END SWIVEL WELDMENT	2

# Section I - PARTS

## 4-STAGE REAR OUTRIGGER ASSEMBLY





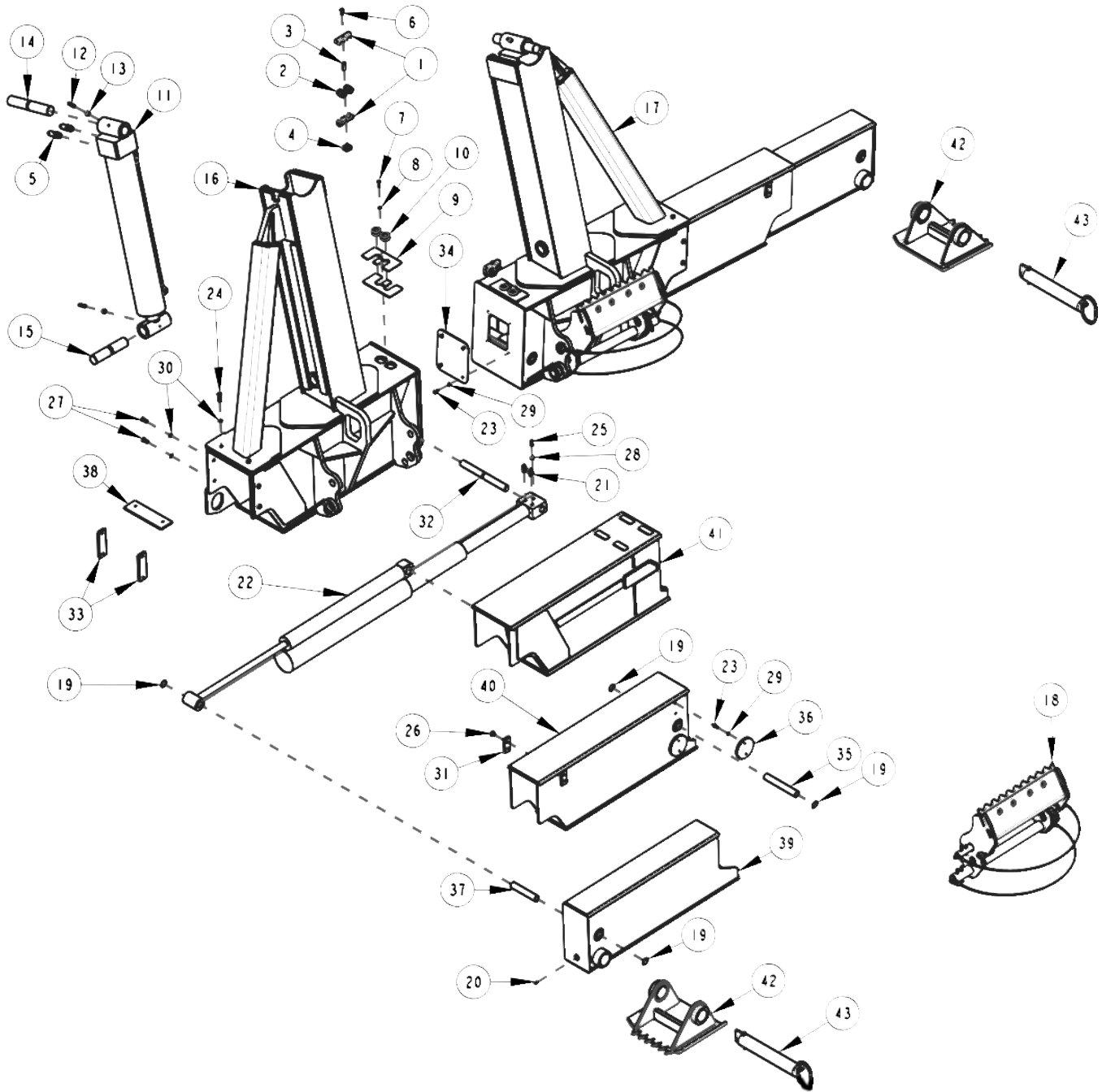
# Section I - PARTS

## 4-STAGE REAR OUTRIGGER ASSEMBLY

ITEM	PART NUMBER	DESCRIPTION	QTY
--	0910665	HOSE KIT - REAR OUTRIGGER	--
1	0302546	CLAMPING UNIT C-PH-10-2	4
2	0302550	C-SB-10-12 3/4 SPLIT	8
3	0302551	C-SN-10 SOCKET-HEAD	4
4	0302552	C-WA-10 WELD ADAPTER	4
5	0310289	FITTING - LONG ADAPTER 6MJ-8MBLL	4
6	0400118	SCREW, 5/16-18X3/4 HHC GR5	2
--	0910817	OUTRIGGER CLOSURE KIT, ROTATOR	--
7	0400070	SCREW, 1/4-20X1 HHC GR5	2
8	0400452	LOCKWASHER1/4	2
9	0723889	PLATE-HOSE RETAINING	4
10	GH246	SPLIT RUBBER GROMMET	4
--	0911014	4 STAGE BUA PART 1	--
11	0310707	CYL., SPADE 4 BORE x 23 STROKE	2
12	0400139	SET SCREW, 3/8-16X1-1/2 SOC	4
13	0400392	NUT, 3/8-16 LOCK	4
14	0721901	PIN - OUTRIGGER TOP	2
15	0721902	PIN - OUTRIGGER BOTTOM	2
16	0810584	ST1 ASSEMBLY WLDMT, LH 1.5 BOSS'15	1
17	0810585	ST1 ASSEMBLY WLDMT, RH 1.5 BOSS'15	1
18	0912051	CENTURY SPADE KIT	2
--	0911015	4 STAGE BUA PART 2	--
19	0300110	SNAP RING, 1" 5100-100	8
20	0300113	GREASE FITTING, 1/4-28 STR	2
21	0301522	FITTING, CONNECTOR 6MJ-6MB	4
22	0312677	CYL.,TELESCOPING PIGGYBACK	2
23	0400066	SCREW, 1/4-20X3/4 HHC GR5	24
24	0400122	SCREW, 3/8-16X1-1/4 HHC GR5	4
25	0400221	SET SCREW, 3/8-16X1 SOCKET HEAD	2
26	0400228	SCREW, 3/8-24X5/8 BSC	8
27	0400347	SCREW, 3/8-24X7/8 HHC GR5	8
28	0400398	NUT, 3/8-16 LOCK JAM	2
29	0400452	LOCKWASHER1/4	26
30	0400481	LOCKWASHER3/8 EXT	12
31	0703231	PLATE, STOP OUTER BOOM	4
32	0707117	SHAFT, UPPER SPADE	2
33	0722970	PAD,SPACER	4
34	0725043	PLATE-COVER	2
35	0727421	SHAFT, 1 DIA X 7 L	2
36	07000099	BLOCK, TEL - STAGE 3	8
37	07000162	SHAFT, 1 DIA X 5-1/2 L	2
38	07000283	SHIM	2
39	0807311	STAGE 4 ASSEMBLY WLDMT	2
40	0807312	STAGE 3 ASSEMBLY WLDMT	2
41	0807313	STAGE 2 ASSEMBLY WLDMT	2
42	0807635	PAD REAR OUTRIGGER PAD	2
43	0906963	PIN - REAR OUTRIGGER PAD ASSEMBLY	2

# Section I - PARTS

## 4-STAGE REAR OUTRIGGER ASSEMBLY (Cont'd)



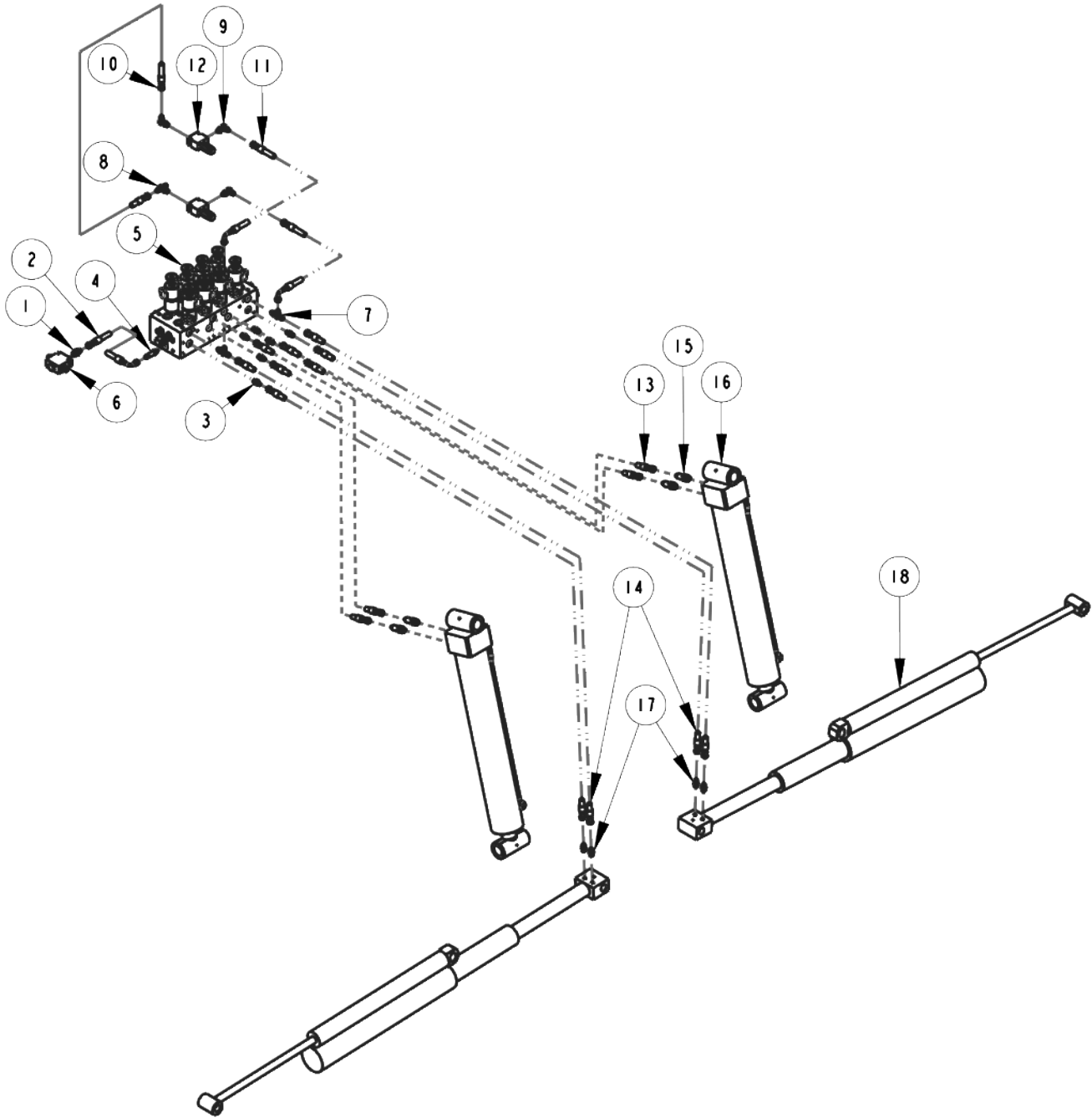
**Section I - PARTS**

**4-STAGE REAR OUTRIGGER ASSEMBLY (Cont'd)**

ITEM	PART NUMBER	DESCRIPTION	QTY
--	0910816	SHIM KIT (ITEMS USED AS RE'Q)	--
--	0723887	SPACER	4
--	0723892	SHIM 10GA	2
--	0723893	SHIM 12GA	6
--	0723894	SHIM 14GA	6

# Section I - PARTS

## 4-STAGE REAR OUTRIGGER HYDRAULICS



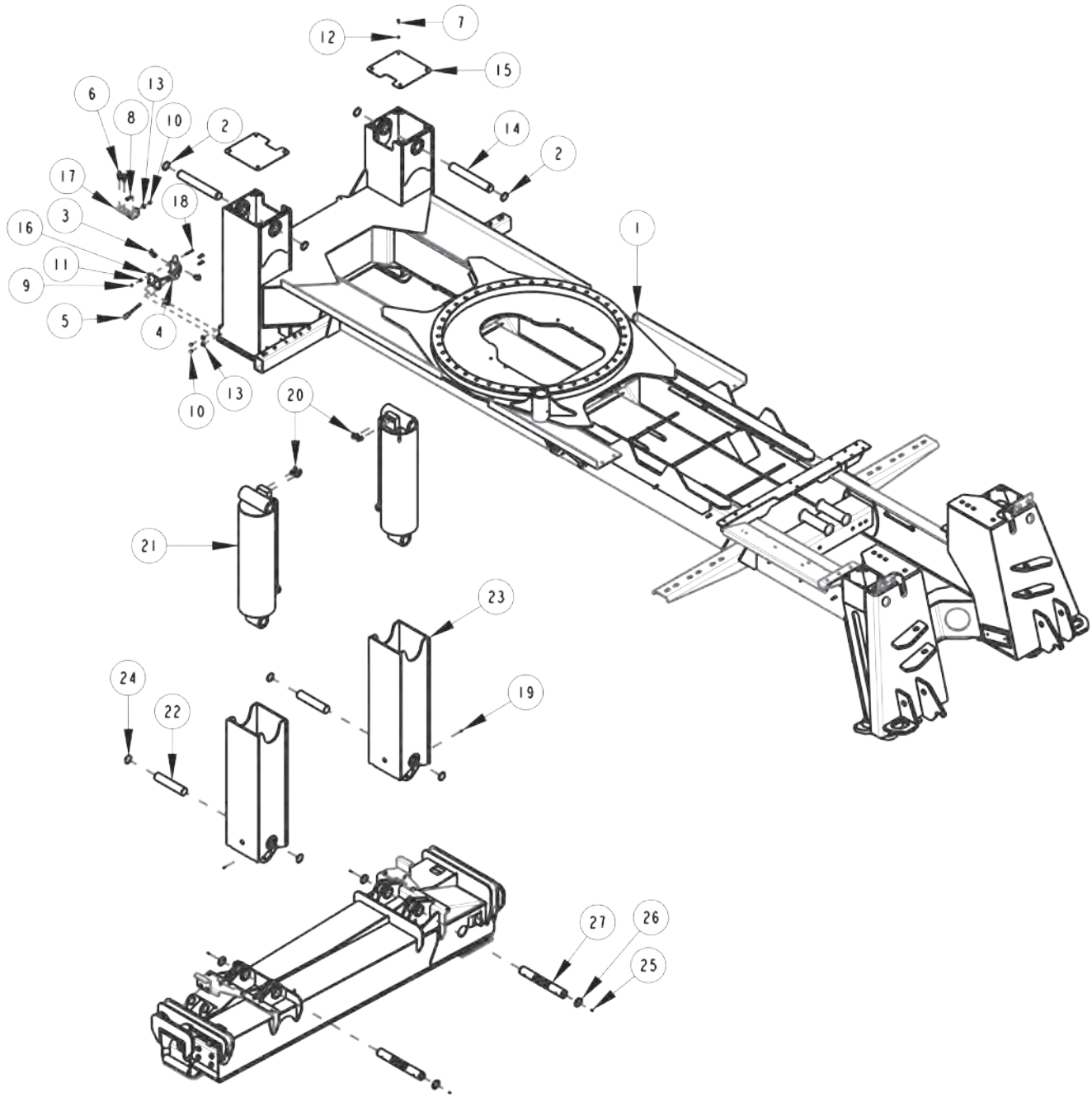
## Section I - PARTS

### 4-STAGE REAR OUTRIGGER HYDRAULICS

ITEM	PART NUMBER	DESCRIPTION	QTY
--	25789094	HYDRAULIC KIT	--
1	0300044	FITTING, CONNECTOR 6MJ-8MB	1
2	0301473	HOSE, HYDRAULIC 18" LG	1
--	0911316	OUTRIGGER CONTROL VALVE KIT - WV	--
3	0301522	CONNECTOR 6MJ-6MB	4
4	0302510	FITTING, 6MJ-6MBL HYDRAULIC	1
5	0310358	VALVE, SOLENOID 12V OUTRIGGER CTRL	1
6	0310406	VALVE, SHUTTLE LS10-30-8T-N	1
7	9012594	FITTING, HYD. RUN TEE, 6MJx6MBx6MJ	2
--	0910635	OUTRIGGER BLEED VALVE ASSEMBLY	--
8	0301619	FITT, 6MJ-6MJ-6MB BRANCH TEE	1
9	0301620	FITTING, HYDRAULIC. 6MJ - 6MB90	3
10	03000008	HOSE, HYDRAULIC 4AT2(6FJX-6FJX) 14"	1
11	03000012	HOSE, HYDRAULIC 29" LONG	2
12	03000389	RELIEF VALVE, WALVOIL RV08	2
--	0910665	HOSE KIT - REAR OUTRGR	--
13	0302056	HOSE, HYDRAULIC 183" LG	4
14	0302372	HOSE, HYDRAULIC 240" LG	4
15	0310289	FITTING LONG ADAPTER 6MJ-8MBLL	4
--	0911014	4 STG BUA PART 1	--
16	0310707	CYL., SPADE 4 BORE x 23 STROKE	2
--	0911015	4 STG BUA PART 2	--
17	0301522	CONNECTOR 6MJ-6MB	4
18	0312677	CYL., TELESCOPING PIGGYBACK	2

# Section I - PARTS

## 2-STAGE/3-STAGE FRONT OUTRIGGER ASSEMBLY



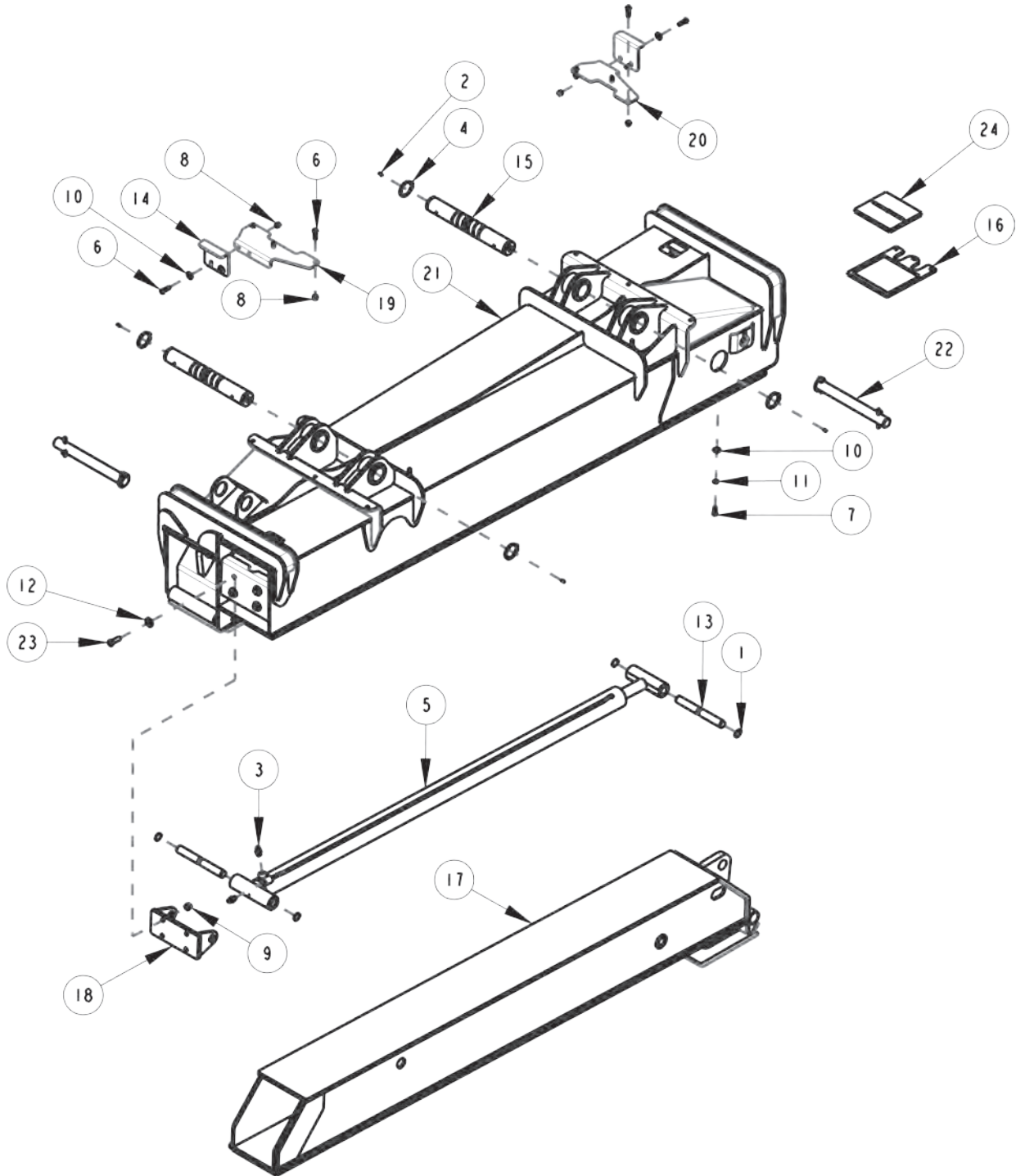
## Section I - PARTS

### 2-STAGE/3-STAGE FRONT OUTRIGGER ASSEMBLY

ITEM	PART NUMBER	DESCRIPTION	QTY
--	0911547	SUBFRAME ASSEMBLY 1150	--
1	0810221	SUBFRAME WLMT 1150	1
--	0910260	FRONT OUTRIGGER INSTALLATION	--
2	0300329	SNAP RING, EXTERNAL 2	4
3	0301470	FITTING, 90ELB 6MJ-8MB90	4
4	0310397	VALVE, DIVERter WALVOIL	2
5	0310398	HANDLE, DIVERter VALVE	2
6	0310480	FITTING - BULKHEAD -6 UNION	4
7	0400066	SCREW, 1/4-20X3/4 HHC GR5	8
8	0400122	SCREW, 3/8-16X1-1/4 HHC GR5	10
9	0400367	NUT, 1/4-20 LOK	6
10	0400392	NUT, 3/8-16 LOK	6
11	0400451	WASHER, 1/4	12
12	0400452	LKWASHER, 1/4	8
13	0400480	WASHER, 3/8	6
14	0722169	PIN - O/R CYLINDER BASE	2
15	0722171	PLATE - OUTRIGGER COVER	2
16	0722173	PLATE - VALVE MOUNTING	2
17	0722381	ANGLE - BULKHEAD	2
18	9041010	1/4 NC X 2 1/4 HHCS GR8	
--	0910575	FRONT O/R VERTICAL INNER ASSEMBLY	--
19	0300113	GREASE FITTING, 1/4-28 STR	4
20	0301470	FITTING, 90ELB 6MJ-8MB90	4
21	0310950	CYL HYD 8 BORE 21 STROK 5K VLV	2
22	0722170	PIN - O/R CYLINDER ROD	2
23	0807449	FRONT O/R VERTICAL INNER WLMT	2
24	HD0151	SNAP RING, 2"INTERNAL	4
--	0910188	2-STAGE FRONT OUTRIGGER ASSY	--
--	0910189	3-STAGE FRONT OUTRIGGER ASSEMBLY	--
--	0911652	3-STG FRT OUTRIGGER ASSY BIG FEET	--
25	0300113	GREASE FITTING, 1/4-28 STR	4
26	0302776	SNAP RING,EXTERNAL 2	4
27	0726316	PIN, OUTRIGGER PIVIT	2

# Section I - PARTS

## 2-STAGE FRONT OUTRIGGER HORIZONTAL ASSEMBLY





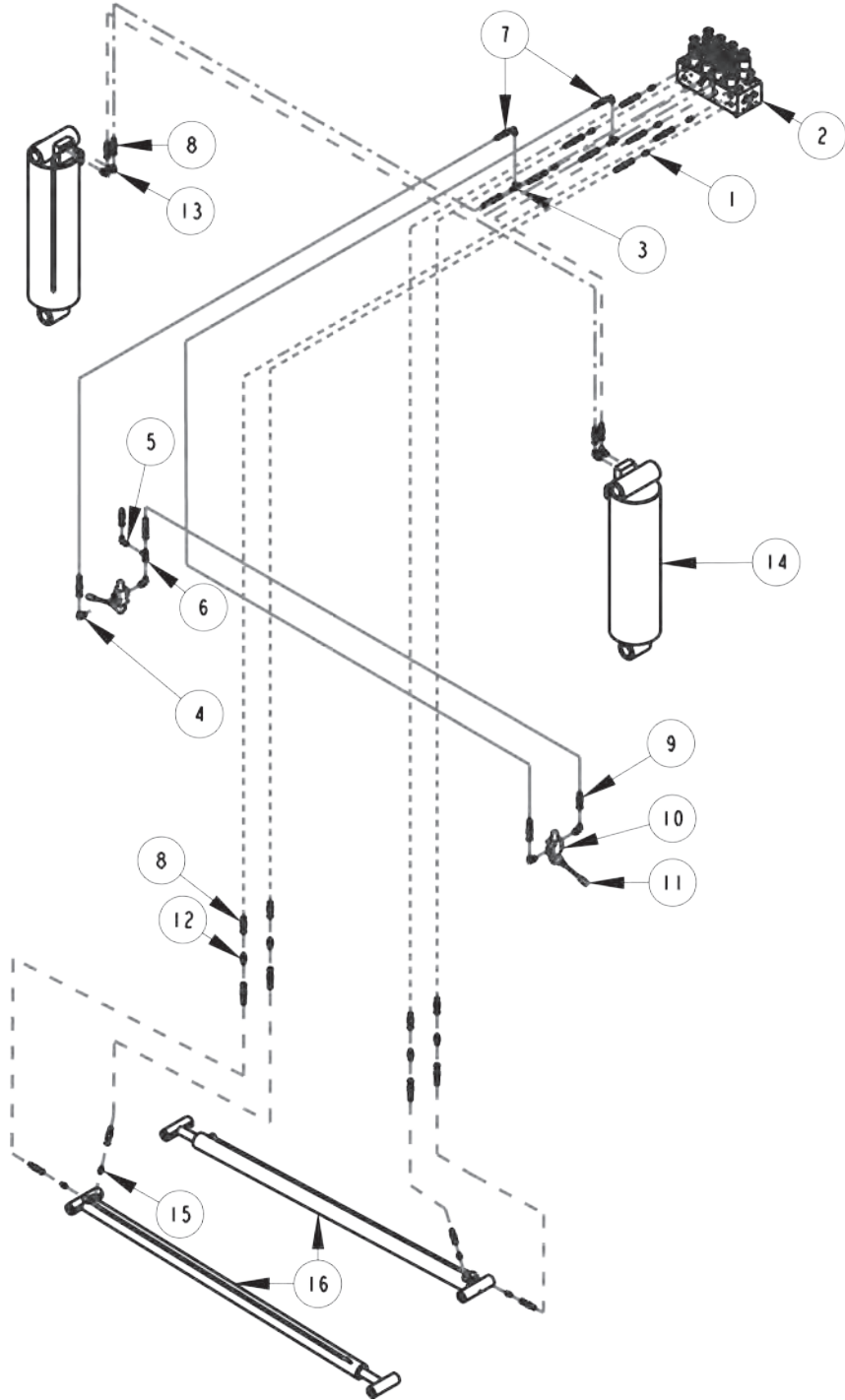
## Section I - PARTS

### 2-STAGE FRONT OUTRIGGER HORIZONTAL ASSEMBLY

ITEM	PART NUMBER	DESCRIPTION	QTY
--	0910188	3-STAGE FRONT OUTRIGGER ASSEMBLY	--
1	0300110	SNAP RING, 1" 5100-100	8
2	0300113	GREASE FITTING, 1/4-28 STR	4
3	0301522	FITTING, CONN. 6MJ-6MB	4
4	0302776	SNAP RING,EXTERNAL 2	4
5	0307639	CYL, HYD - MAIN BOOM EXT.	2
6	0400122	SCREW, 3/8-16X1-1/4 HHC GR5	4
7	0400126	SCREW, 3/8-16X1 HHC GR5	8
8	0400392	NUT, 3/8-16 LOK	4
9	0400416	NUT, 1/2-13 LOK GR8	8
10	0400480	WASHER, 3/8	12
11	0400482	LOCKWASHER , 3/8	4
12	0400497	WASHER, 1/2 GR8	8
13	0703137	SHAFT, EXT CYL OUTER BOOM	2
14	0722174	ANGLE - CAM	2
15	0726316	PIN, OUTRIGGER PIVIT	2
16	07000610	PLATE, PAD CAGE	2
17	0807357	FRONT OUTRIGGER BEAM WELDMENT	2
18	0807358	ADAPTER, CYLINDER	2
19	0810511	RH CAM MOUNTING WELDMENT	1
20	0810512	LH CAM MOUNTING WELDMENT	1
21	0810529	FRONT OUTRIGGER BOX WELDMENT	1
22	0910190	LOCK PIN ASSEMBLY	2
23	9041403	1/2 NC X 1 1/2 HHCS PL GR8	8
24	535-0500001	NYLATRON PAD	2

# Section I - PARTS

## 2-STAGE FRONT OUTRIGGER HYDRAULICS



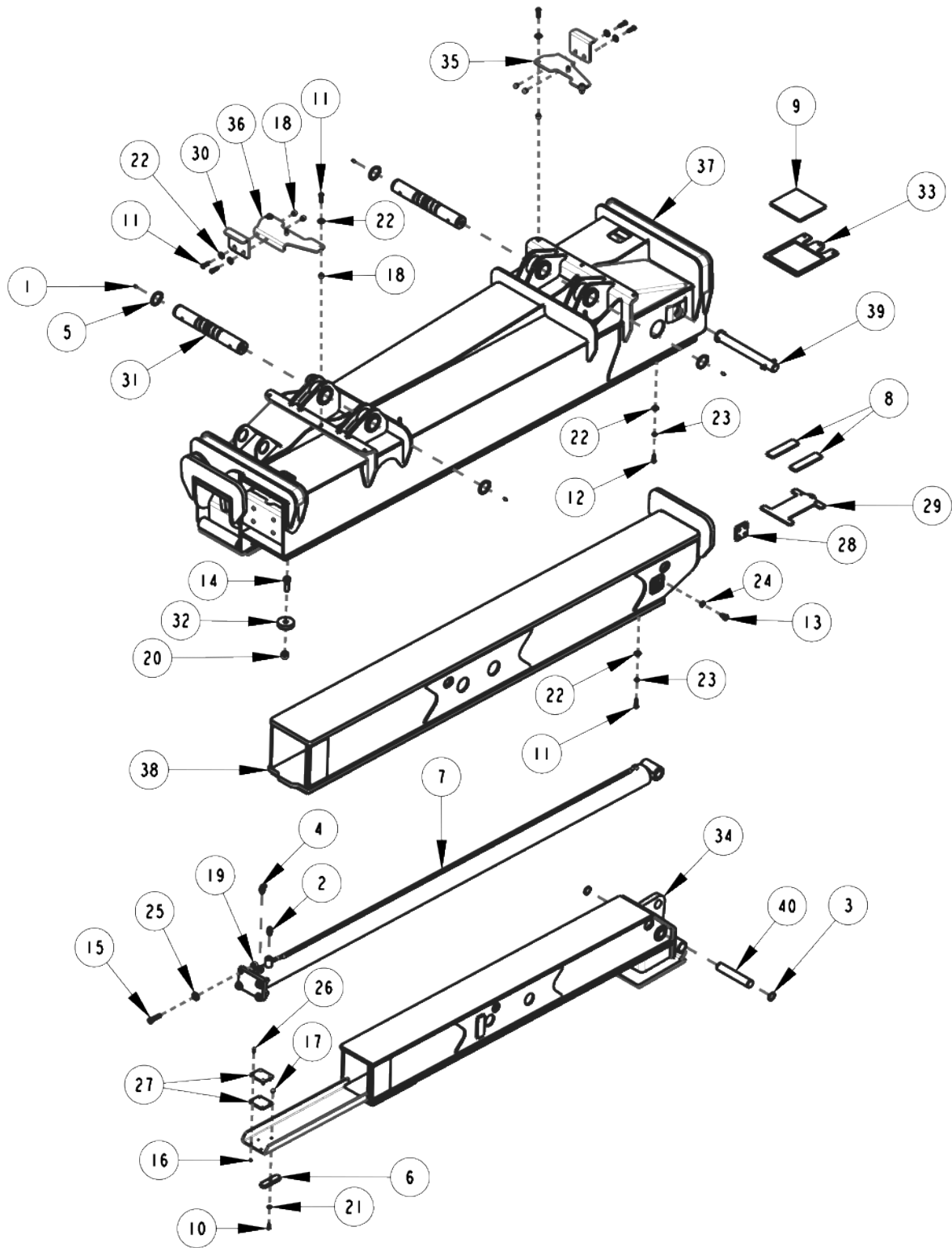
## Section I - PARTS

### 2-STAGE FRONT OUTRIGGER HYDRAULICS

ITEM	PART NUMBER	DESCRIPTION	QTY
--	0910616	OUTRIGGER CONTROL VALVE KIT	--
1	0301522	CONNECTOR 6MJ-6MB	12
2	0310358	VALVE, SOLENOID 12V OUTRIGGER CTRL	1
3	9012594	FITTING, HYD. RUN TEE, 6MJx6MBx6MJ	4
--	0910260	FRONT OUTRIGGER INSTALLATION	--
4	0301470	FITTING, 90ELB 6MJ-8MB90	4
5	0301696	FITTING, ELB 90 DEG 6MJ-6FJX90	1
6	0301781	FITTING, SWV NUT RUN TEE	1
7	0303170	HOSE HYDRAULIC, RAULIC 75"	2
8	0303185	HOSE HYDRAULIC, RAULIC 66" LG.	8
9	0303188	HOSE HYDRAULIC, RAULIC 75" LG	6
10	0310397	VALVE, DIVERter WALVOIL	2
11	0310398	HANDLE, DIVERter VALVE	2
12	0310480	FITTING - BULKHEAD -6 UNION	4
--	0910575	FRONT O/R VERTICAL INNER ASSEMBLY	--
13	0301470	FITTING, 90ELB 6MJ-8MB90	4
14	0310950	CYL HYD 8 BORE 21 STROK 5K VLV	2
--	0910189	3-STAGE FRONT OUTRIGGER ASSEMBLY	--
15	0301522	FITTING, CONN. 6MJ-6MB	4
16	0307639	CYL, HYD - MAIN BOOM EXT.	2

# Section I - PARTS

## 3-STAGE FRONT OUTRIGGER HORIZONTAL ASSEMBLY



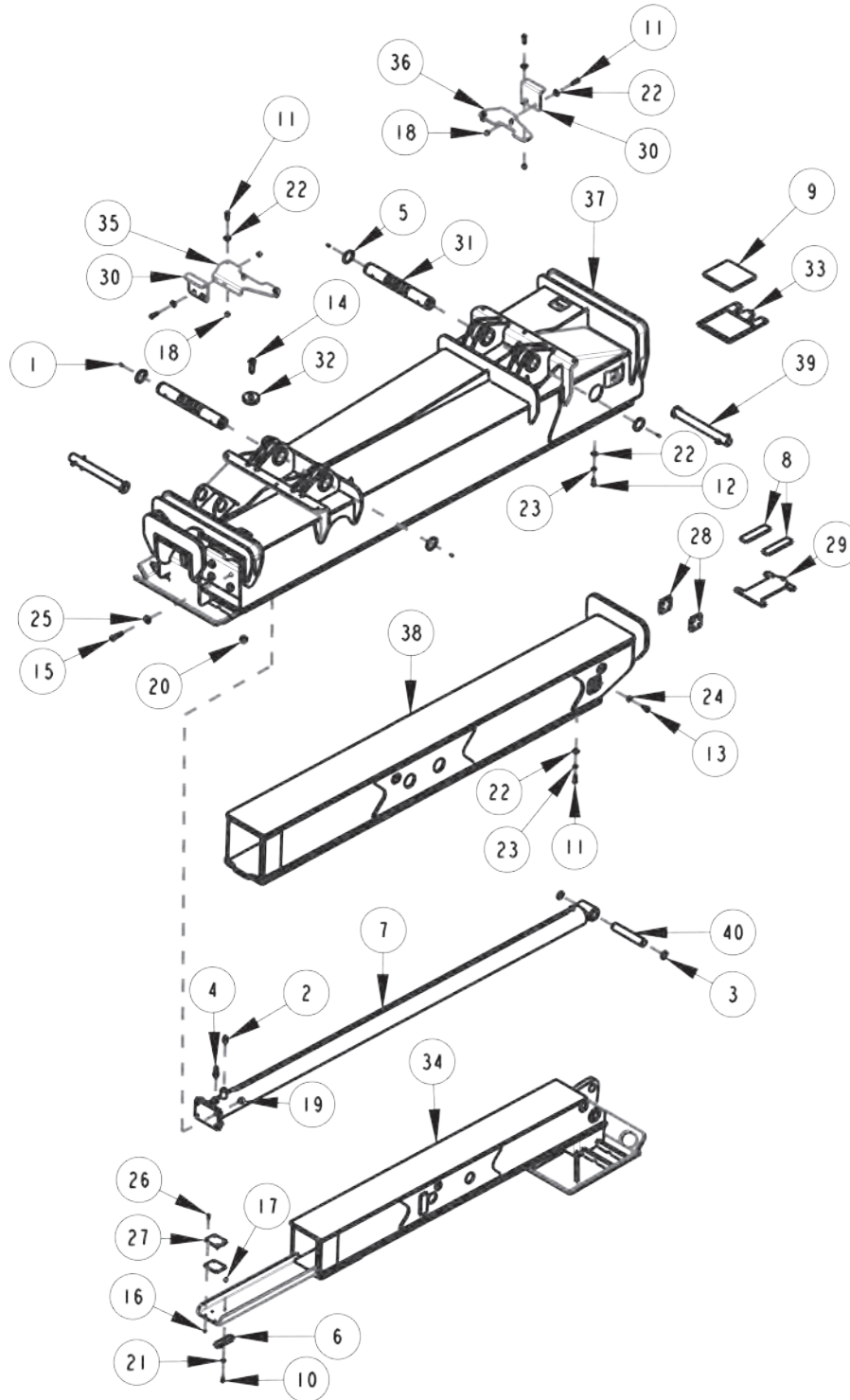
## Section I - PARTS

### 3-STAGE FRONT OUTRIGGER HORIZONTAL ASSEMBLY

ITEM	PART NUMBER	DESCRIPTION	QTY
--	0910189	3-STAGE FRONT OUTRIGGER ASSEMBLY	--
1	0300113	GREASE FITTING, 1/4-28 STR	4
2	0301522	FITTING, CONN. 6MJ-6MB	2
3	0301642	SNAP RING, 1-1/4 DIA	4
4	0302509	FITTING, ELB 45 DEG	2
5	0302776	SNAP RING,EXTERNAL 2	4
6	0303490	PAD-WEAR 1/2" X 1" X 4"	2
7	0310396	CYLINDER,OUTRIG 3BOREx84STROKE	2
8	0312690	OUTRIGGER WEAR PAD 0.31x1.50x6	4
9	0312691	OUTRIGGER WEAR PAD 0.39x6x6.75	2
10	0400066	SCREW, 1/4-20X3/4 HHC GR5	2
11	0400122	SCREW, 3/8-16X1-1/4 HHC GR5	12
12	0400126	SCREW, 3/8-16X1 HHC GR5	4
13	0400239	SCREW, 1/2-13X3/4 HHC GR5	16
14	0400260	SCREW, 5/8-11X2 HHC GR5	2
15	0400343	SCREW, 1/2-13X2 HHC GR8	8
16	0400351	NUT, 8-32 HEX	8
17	0400367	NUT, 1/4-20 LOK	2
18	0400392	NUT, 3/8-16 LOK	8
19	0400416	NUT, 1/2-13 LOK GR8	8
20	0400421	NUT, 5/8-11 LOK	2
21	0400451	WASHER, 1/4	2
22	0400480	WASHER, 3/8	16
23	0400482	LKWASHER, 3/8	8
24	0400491	LKWASHER, 1/2	16
25	0400497	WASHER, 1/2 GR8	8
26	0401054	SCREW, 8-32X3/4 PRH SS	8
27	0703277	PAD, SLIDER	4
28	0717869	PLATE, SPACER (BOLT-ON)	4
29	0719462	PLATE - PAD CAGE	2
30	0722174	ANGLE - CAM	2
31	0726316	PIN, OUTRIGGER PIVIT	2
32	0726709	PLATE STOP	2
33	07000610	PLATE, PAD CAGE	2
34	0807449	FRONT O/R VERTICAL INNER WLMT	2
35	0810511	RH CAM MOUNTING WELDMENT	1
36	0810512	LH CAM MOUNTING WELDMENT	1
37	0810529	FRONT OUTRIGGER BOX WELDMENT	1
38	0810530	OUTRIGGER MID STAGE WELDMENT	1
39	0910190	LOCK PIN ASSEMBLY	4
40	897400002	REAR PIN	2

# Section I - PARTS

## 3-STAGE FRONT OUTRIGGER HORIZONTAL ASSEMBLY (BIG FEET)



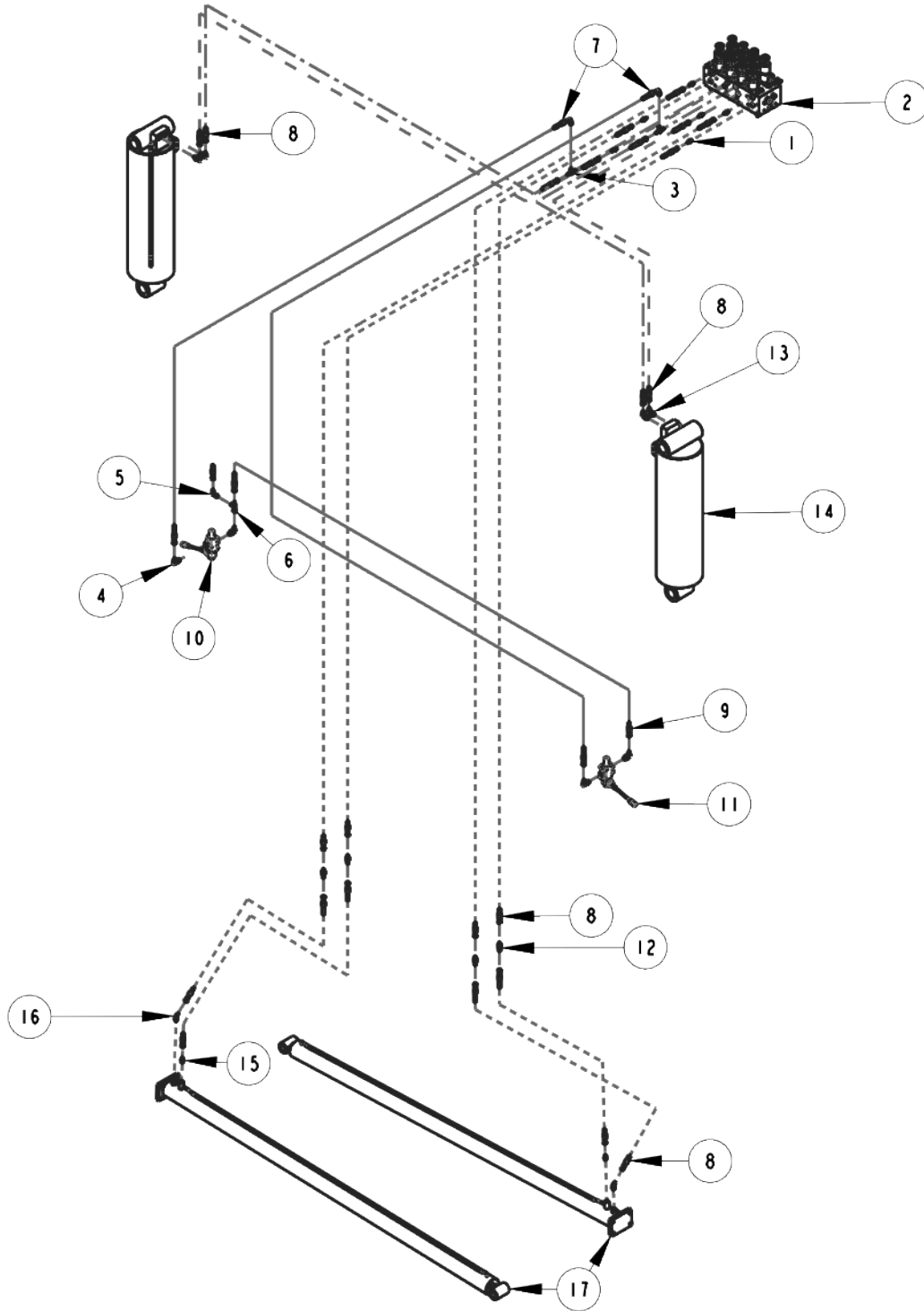
## Section I - PARTS

### 3-STAGE FRONT OUTRIGGER HORIZONTAL ASSEMBLY (BIG FEET)

ITEM	PART NUMBER	DESCRIPTION	QTY
--	0911652	3-STG FRT OUTRGR ASSY BIG FEET	--
1	0300113	GREASE FITTING, 1/4-28 STR	4
2	0301522	FITTING, CONN. 6MJ-6MB	2
3	0301642	SNAP RING, 1-1/4 DIA	4
4	0302509	FITTING, ELB 45 DEG	2
5	0302776	SNAP RING,EXTERNAL 2	4
6	0303490	PAD-WEAR 1/2" X 1" X 4"	2
7	0310396	CYLINDER,OUTRIG 3BOREx84STROKE	2
8	0312690	OUTRIGGER WEAR PAD 0.31x1.50x6	4
9	0312691	OUTRIGGER WEAR PAD 0.39x6x6.75	2
10	0400066	SCREW, 1/4-20X3/4 HHC GR5	2
11	0400122	SCREW, 3/8-16X1-1/4 HHC GR5	12
12	0400126	SCREW, 3/8-16X1 HHC GR5	4
13	0400239	SCREW, 1/2-13X3/4 HHC GR5	16
14	0400260	SCREW, 5/8-11X2 HHC GR5	2
15	0400343	SCREW, 1/2-13X2 HHC GR8	8
16	0400351	NUT, 8-32 HEX	8
17	0400367	NUT, 1/4-20 LOK	2
18	0400392	NUT, 3/8-16 LOK	8
19	0400416	NUT, 1/2-13 LOK GR8	8
20	0400421	NUT, 5/8-11 LOK	2
21	0400451	WASHER, 1/4	2
22	0400480	WASHER, 3/8	16
23	0400482	LOCKWASHER , 3/8	8
24	0400491	LOCKWASHER , 1/2	16
25	0400497	WASHER, 1/2 GR8	8
26	0401054	SCREW, 8-32X3/4 PRH SS	8
27	0703277	PAD, SLIDER	4
28	0717869	PLATE, SPACER (BOLT-ON)	4
29	0719462	PLATE - PAD CAGE	2
30	0722174	ANGLE - CAM	2
--	0723891	PLATE-SHIM (AS NEEDED W/ ITEM #28)	4
31	0726316	PIN, OUTRIGGER PIVIT	2
32	0726709	PLATE STOP	2
33	07000610	PLATE, PAD CAGE	2
34	0810335	3RD STG/INNER, BIG FOOT, FRONT	2
35	0810511	RH CAM MOUNTING WELDMENT	1
36	0810512	LH CAM MOUNTING WELDMENT	1
37	0810529	FRONT OUTRIGGER BOX WELDMENT	1
38	0810530	OUTRIGGER MID STAGE WELDMENT	2
39	0910190	LOCK PIN ASSEMBLY	4
40	897400002	REAR PIN	2

# Section I - PARTS

## 3-STAGE FRONT OUTRIGGER HYDRAULICS





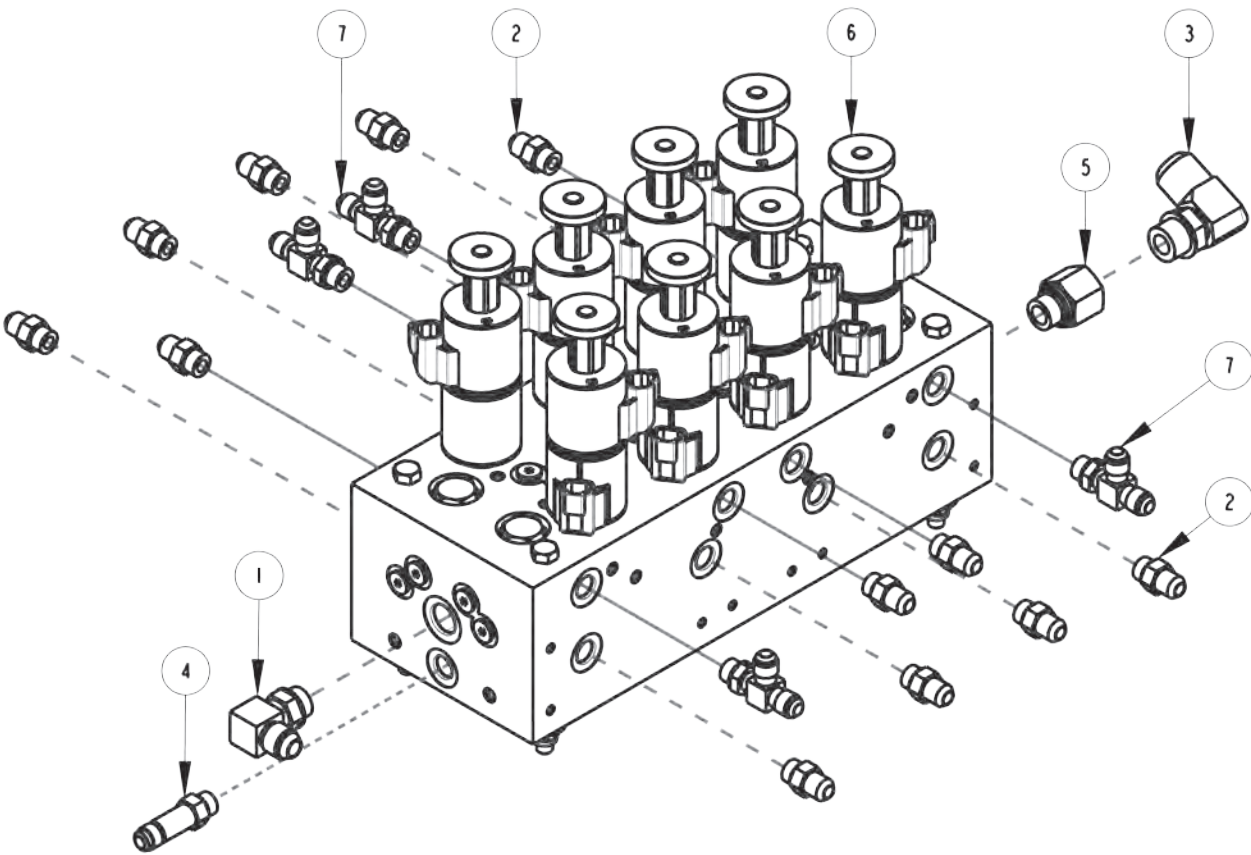
## Section I - PARTS

### 3-STAGE FRONT OUTRIGGER HYDRAULICS

ITEM	PART NUMBER	DESCRIPTION	QTY
--	0911316	OUTRIGGER CONTROL VALVE KIT - WV	--
1	0301522	CONNECTOR 6MJ-6MB	12
2	0310358	VALVE, SOLENOID 12V OUTRIGGER CTRL	1
3	9012594	FITTING, HYD. RUN TEE, 6MJx6MBx6MJ	4
--	0910260	FRONT OUTRIGGER INSTALLATION	--
4	0301470	FITTING, 90ELB 6MJ-8MB90	4
5	0301696	FITTING, ELB 90 DEG 6MJ-6FJX90	1
6	0301781	FITTING, SWV NUT RUN TEE	1
7	0303170	HOSE, HYDRAULIC 75"	2
8	0303185	HOSE, HYDRAULIC 66" LG.	8
9	0303188	HOSE, HYDRAULIC 75" LG	6
10	0310397	VALVE, DIVERter WALVOIL	2
11	0310398	HANDLE, DIVERter VALVE	2
12	0310480	FITTING - BULKHEAD -6 UNION	4
--	0910575	FRONT O/R VERTICAL INNER ASSEMBLY	--
13	0301470	FITTING, 90ELB 6MJ-8MB90	4
14	0310950	CYL HYD 8 BORE 21 STROK 5K VLV	2
--	0910189	3-STAGE FRONT OUTRIGGER ASSEMBLY	--
15	0301522	FITTING, CONN. 6MJ-6MB	2
16	0302509	FITTING, ELB 45 DEG	2
17	0310396	CYLINDER, OUTRIG 3BOREx84STROKE	2

Section I - PARTS

OUTRIGGERS CONTROL VALVE ASSEMBLY



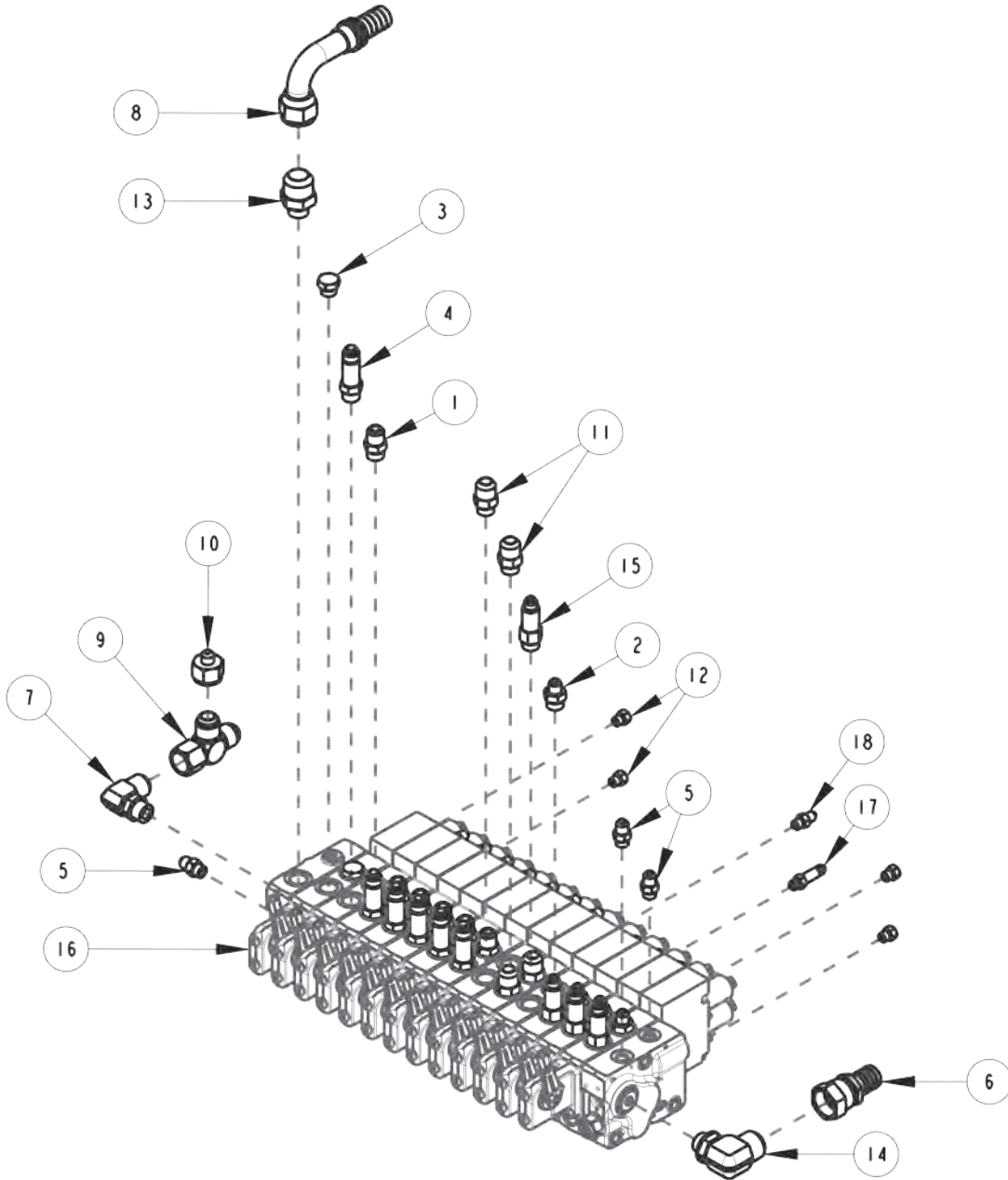
## Section I - PARTS

### OUTRIGGERS CONTROL VALVE ASSEMBLY

ITEM	PART NUMBER	DESCRIPTION	QTY
--	0911316	OUTRIGGER CONTROL VALVE KIT - WV	--
1	0301388	FITTING, 90ELL, 8MJ-8MB90	1
2	0301522	FITTING, CONNECTOR 6MJ-6MB	12
3	0302085	FITTING, 90 DEG ADPTR	1
4	0302510	FITTING, 6MJ-6MBL HYDRAULIC	1
5	0306633	FITTING, 8MB-10FB	1
6	0310358	VALVE, SOLENOID 12V OUTRIG CTRL	1
7	9012594	FITTING, HYD. RUN TEE, 6MJx6MBx6MJ	4

# Section I - PARTS

## PROPORTIONAL CONTROLS VALVE ASSEMBLY



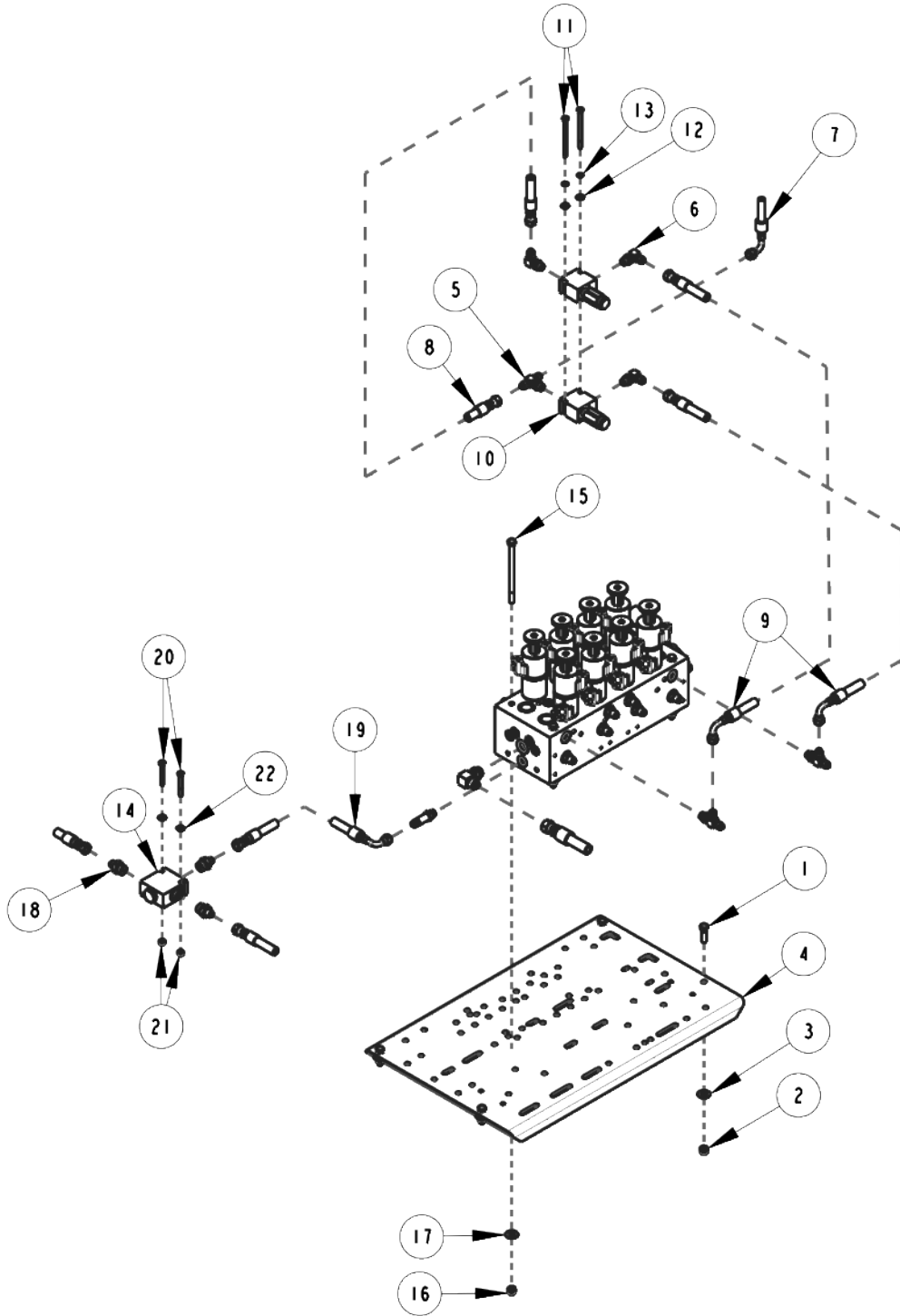
## Section I - PARTS

### PROPORTIONAL CONTROLS VALVE ASSEMBLY

ITEM	PART NUMBER	DESCRIPTION	QTY
--	0911317	WALVOIL VALVE ASSY 5 WINCH ROT	--
1	0300041	FITTING, CONNECTOR 8MJ-8MB	6
2	0300044	FITTING, CONNECTOR 6MJ-8MB	4
3	0300387	PLUG, 8MB	2
4	0301445	FITTING, EXTENDED	6
5	0301522	FITTING, CONNECTOR 6MJ-6MB	3
6	0301767	FITTING, HOSE BARB 1FJIX	1
7	0302085	FITTING, 90 DEG ADPTER	1
8	0302170	FITTING, SWV 90 DEG BENT	1
9	0302826	FITTING, TEE	1
10	0302829	FITTING, ADAPTER	1
11	0303079	ADAPTER, 10MJ-10MB	4
12	0303886	4 MB-PLUG	2
13	0307404	FITTING, HYDRAULIC 16MJ-10MB	1
14	0307444	FITTING, 16MJ-10MB90	1
15	0310289	FITTING-LONG ADAPTER 6MJ-8MBLL	4
16	0311130	VALVE-CONTROL 13 SPOOL ROTATOR	8
--	0911324	RH CTL STATION ASSY 5 WINCH WV	--
17	0311425	FITTING, 4MJ-4MBL	8
18	HC1291	FITTING, 4MJ-4MB STR THR	8

# Section I - PARTS

## FRONT & REAR OUTRIGGERS VALVE ASSEMBLY



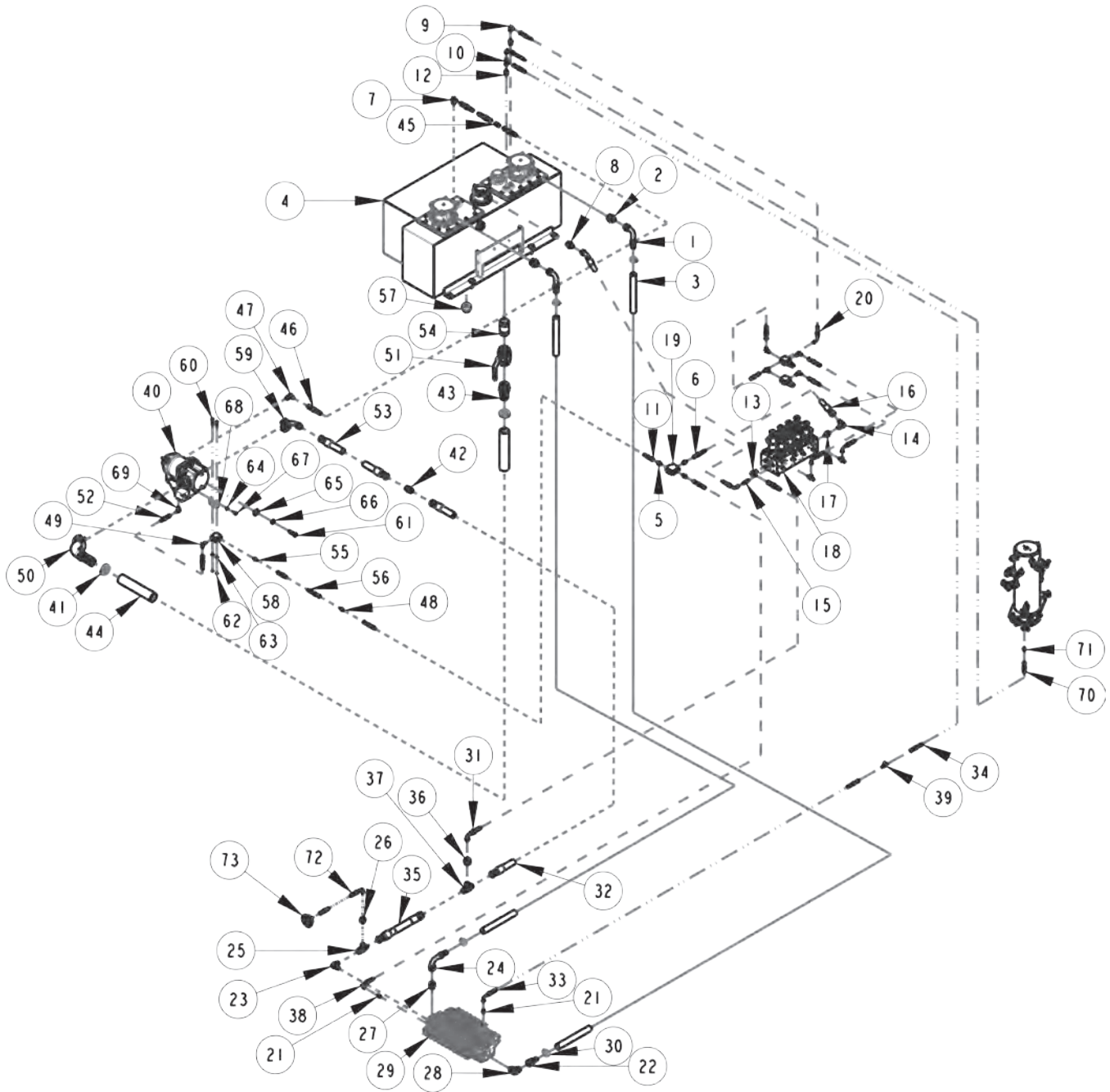
## Section I - PARTS

### FRONT & REAR OUTRIGGERS VALVE ASSEMBLY

ITEM	PART NUMBER	DESCRIPTION	QTY
--	0910338	KIT VALVE CHANNEL MTG	--
1	0400122	SCREW, 3/8-16X1-1/4 HHC GR5	4
2	0400392	NUT, 3/8-16 LOCK	4
3	0400480	WASHER, 3/8	4
4	0807525	CHANNEL PLATE WELDMENT	1
--	0910635	OUTRIGGER BLEED VALVE ASSEMBLY	--
5	0301619	FITT, 6MJ-6MJ-6MB BRANCH TEE	1
6	0301620	FITTING, HYDRAULIC. 6MJ - 6MB90	3
7	0302881	HOSE, HYDRAULIC 45"	1
8	03000008	HOSE 4AT2(6FJX-6FJX) 14"	1
9	03000012	HOSE, HYDRAULIC 29" LONG	2
10	03000389	RELIEF VALVE, WALVOIL RV08	2
11	0400081	SCREW, 1/4-20X3-1/2 HHC GR5	2
12	0400451	WASHER, 1/4	2
13	0400452	LOCKWASHER 1/4	2
--	0911316	OUTRIGGER CONTROL VALVE KIT - WV	--
14	0310406	VALVE, SHUTTLE LS10-30-8T-N	1
15	0400143	SCREW, 3/8-16X5-1/2 HHC GR5	4
16	0400392	NUT, 3/8-16 LOCK	4
17	0400480	WASHER, 3/8	4
--	25789094	HYDRAULIC KIT	--
18	0300044	FITTING, CONNECTOR 6MJ-8MB	3
19	0301473	HOSE, HYDRAULIC 18" LG	1
20	0400078	SCREW, 1/4-20X2 HHC GR5	2
21	0400367	NUT, 1/4-20 LOCK	2
22	0400451	WASHER, 1/4	2

# Section I - PARTS

## PUMP, VALVE, & TANK HYDRAULICS





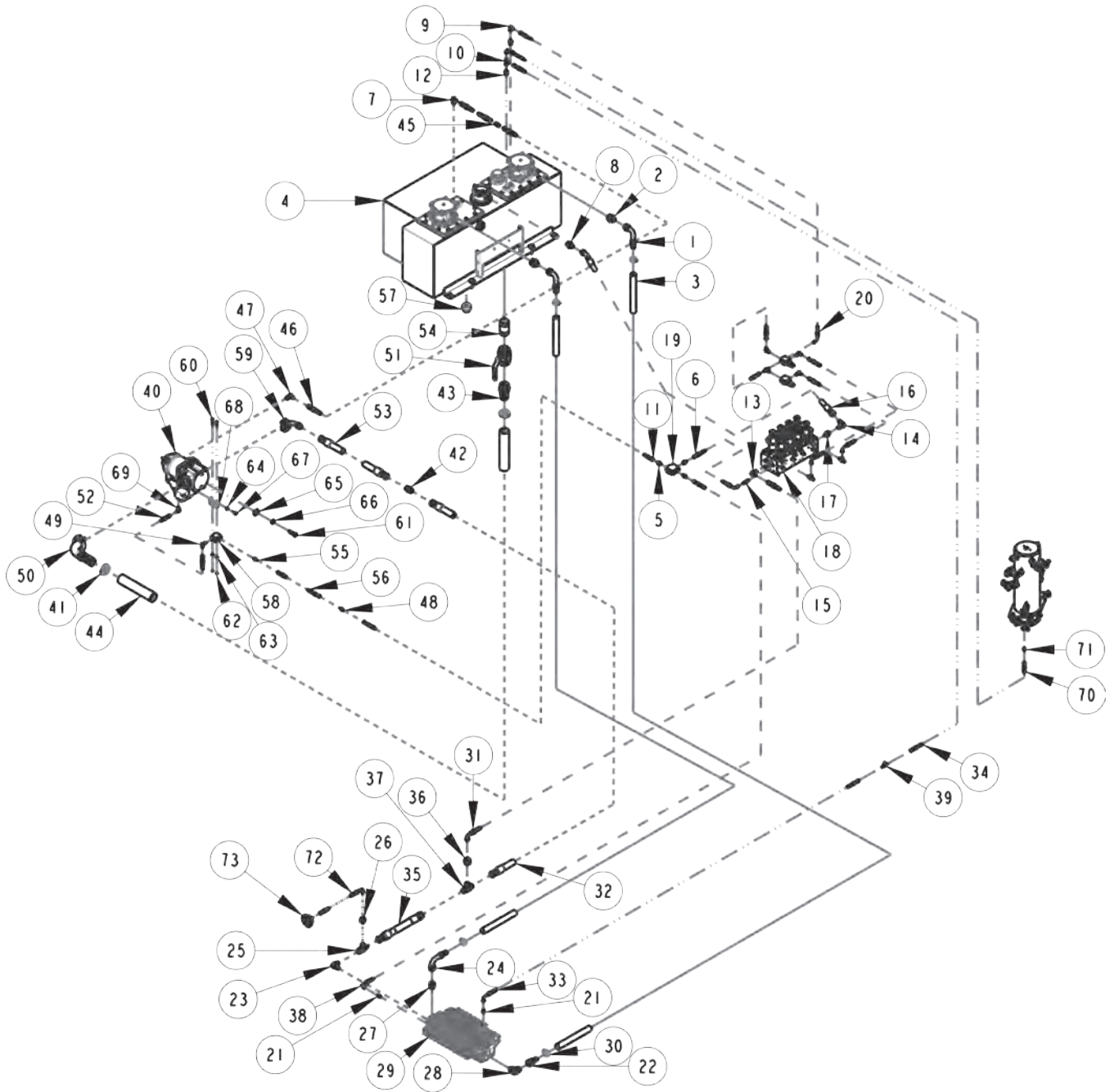
# Section I - PARTS

## PUMP, VALVE, & TANK HYDRAULICS

ITEM	PART NUMBER	DESCRIPTION	QTY
--	0911547	SUBFRAME ASSEMBLY 1150	--
1	0302170	FITTING, SWV 90 DEG BENT	2
2	0310432	FITTING - ADAPTER 16MJ-20MB	2
3	0313129	HOSE, 1 SUCTION 16C4	34FT
4	0911857	TANK ASSEMBLY	1
--	25789094	HYDRAULIC KIT	--
5	0300044	FITTING, CONNECTOR 6MJ-8MB	3
6	0301473	HOSE, HYDRAULIC 18" LG	1
7	0301388	FITTING, 90ELL, 8MJ-8MB90	1
8	0301368	FITTING, CONNECTOR 12MJ-16MB	1
9	0301696	FITTING, ELB 90 DEG 6MJ-6FJX90	2
10	0301781	FITTING, SWV NUT RUN TEE	1
11	0302000	HOSE, HYDRAULIC 24"	1
12	0302727	FITTING, HYDRAULIC CONN	3
--	0911316	OUTRIGGER CONTROL VALVE KIT - WV	--
13	0301388	FITTING, 90ELL, 8MJ-8MB90	1
14	0302085	FITTING, 90 DEG ADPTR	1
15	0302510	FITTING, 6MJ-6MBL HYD	1
16	0303339	HOSE, HYDRAULIC 45" LG	1
17	0306633	FITTING, 8MB-10FB	1
18	0310358	VALVE, SOLENOID 12V OUTRIGGER CTRL	1
19	0310406	VALVE, SHUTTLE LS10-30-8T-N	1
--	0910635	OUTRIGGER BLEED VALVE ASSEMBLY	--
20	0302881	HOSE, HYDRAULIC 45"	1
--	0911317	CONTROL VALVE ASSEMBLY	--
21	0301522	FITTING, CONNECTOR 6MJ-6MB	3
22	0301767	FITTING, HOSE BARB 1FJIX	1
23	0302085	FITTING, 90 DEG ADPTR	1
24	0302170	FITTING, SWV 90 DEG BENT	1
25	0302826	FITTING, TEE	1
26	0302829	FITTING, ADAPTER	1
27	0307404	FITTING, HYDRAULIC 16MJ-10MB	1
28	0307444	FITTING, 16MJ-10MB90	1
29	31543002	VALVE, 12 SPOOL CONTROL	1
30	9018016	HOSE CLAMP HS-20 1 1/4"	4
--	0911318	HOSE KIT-WV PROP 5 WINCH	--
31	0301471	HOSE, HYDRAULIC 30"	1
32	0302008	HOSE, HYDRAULIC 66	1
33	0302604	HOSE, HYDRAULIC 44"	7
34	0303394	HOSE, HYDRAULIC 46"	2
35	0306935	HOSE, HYDRAULIC 120"	1
36	0307377	FITTING, ADAPTER 16FJ-8MJ	1
37	0311428	FITTING 16MJ-TEE	1
38	0311439	HOSE, HYDRAULIC 156" LG 6FJX-6FJX90	1

# Section I - PARTS

## PUMP, VALVE, & TANK HYDRAULICS (Cont'd)



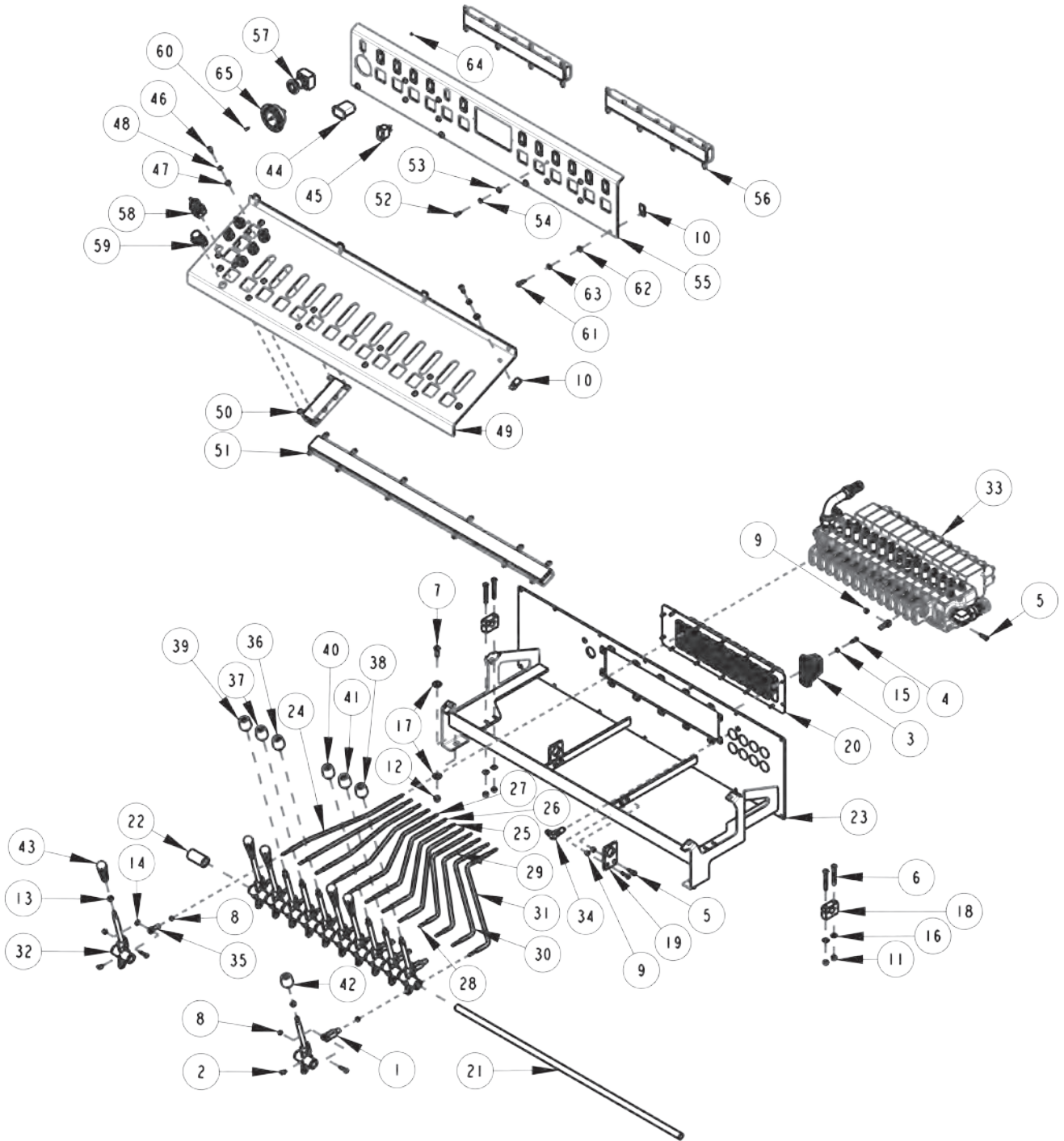
## Section I - PARTS

### PUMP, VALVE, & TANK HYDRAULICS (Cont'd)

ITEM	PART NUMBER	DESCRIPTION	QTY
--	0911324	RH CTL STATION ASSEMBLY 5WIN WV	--
39	0301377	FITTING, TEE,3/8" JIC	1
--	0911509	SHIP KIT WV PROP ILLUM MMO	--
40	0310199	PUMP, PISTON - KAWASAKI	1
--	0910075	KIT,PUMP LWRK ROT-KAWASAKI	--
41	0300364	CLAMP-HOSE,0.875"-2.75" 50"LBS	4
42	0300431	CONNECTOR, 16MJ-16MJ	2
43	0300434	FITTING, HOSE BARB, 2	1
44	0300558	HOSE, SUCTION 2"ID 100R4 (C4)	15FT
45	0300865	FITTING, CONNECTOR 8MJ-8MJ	1
46	0301113	HOSE, HYDRAULIC 82"	2
47	0301388	FITTING, 90ELL, 8MJ-8MB90	1
48	0301422	FITTING, 6MJ-6MJ SMALL	2
49	0301620	FITTING, HYD. 6MJ - 6MB90	1
50	0301637	FITTING, FL - FLANGE	1
51	0301961	BALL VALVE 2	1
52	0301997	HOSE, HYDRAULIC 18" 6FJX-6FJX -6M2T	1
53	0302008	HOSE, HYDRAULIC 66	2
54	0302367	PIPE NIPPLE - 2 X 4	1
55	0302695	ADAPTER, 6MJ-4MB	1
56	0303187	HOSE, HYDRAULIC 141" LG	1
57	0306921	PIPE PLUG, 2" SQ HD	1
58	0307311	FILTER SCREEN - INLINE	1
59	0310200	HYD FITTING,ELL 1 W/FLANGE KIT	1
60	0400078	SCREW, 1/4-20X2 HHC GR5	2
61	0400260	SCREW, 5/8-11X2 HHC GR5	2
62	0400367	NUT, 1/4-20 LOCK	2
63	0400451	WASHER, 1/4	2
64	0400487	LOCKWASHER7/16	1
65	0400506	WASHER, 5/8	2
66	0400508	LKWASHER, 5/8	2
67	0400710	SCREW, M10-1.5X20 HHC 10.9	1
68	0730323	BRACKET, FILTER SCREEN	1
69	IC209	FTG-90DEG ADPTR 1/4 ORB	1
--	0911877	KIT, SWIVEL PKG HYDRAULIC ROTARY	--
70	0301695	HOSE, HYDRAULIC 91"	1
71	0302695	ADAPTER, 6MJ-4MB	1
--	0911551	SHIP KIT 1150	--
72	0301473	HOSE, HYDRAULIC 18" LG	1
73	0302205	GAUGE, FLUSH MNTG-6000 PSI	1

# Section I - PARTS

## LH CONTROLS ASSEMBLY - WALVOIL



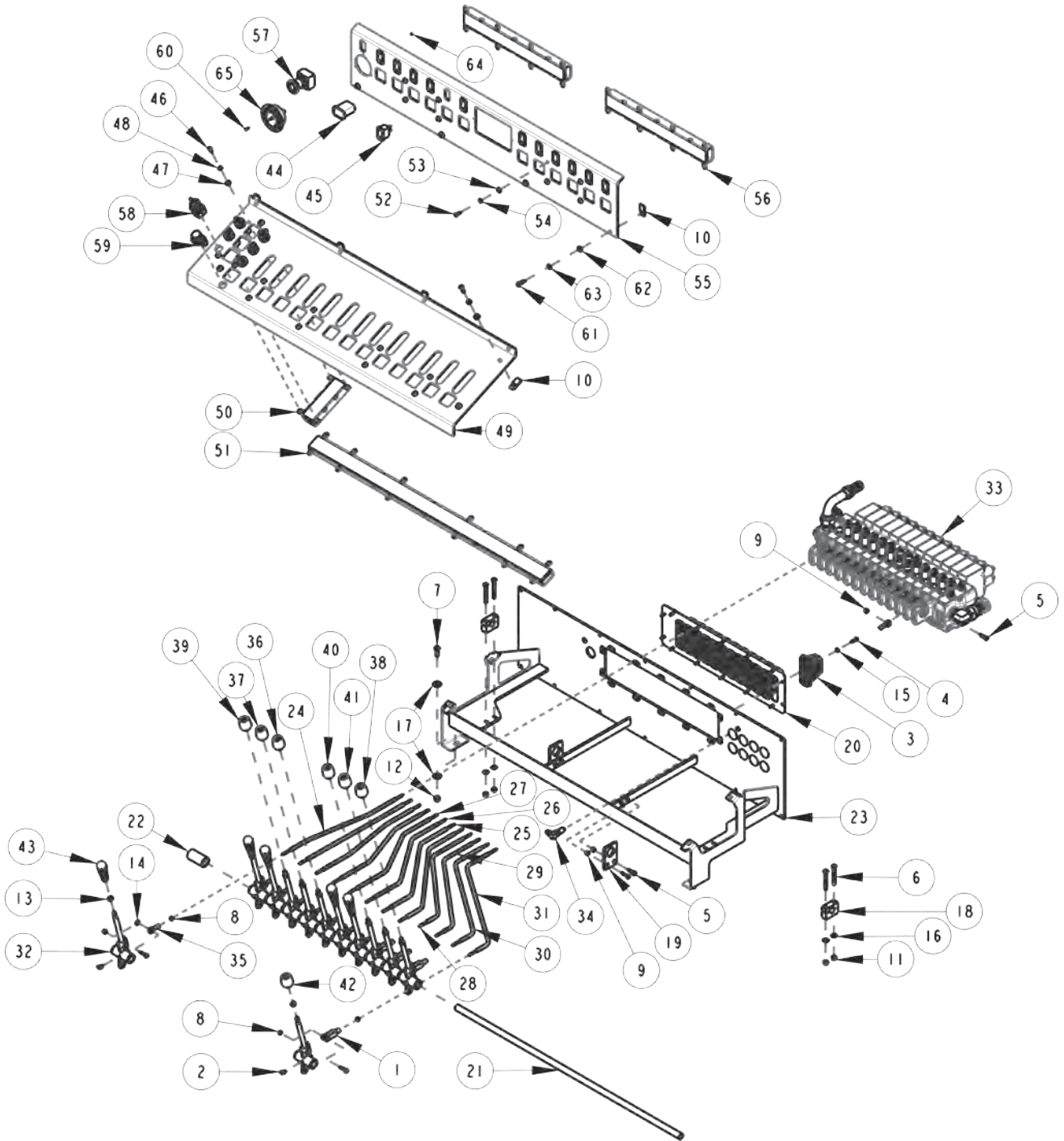
# Section I - PARTS

## LH CONTROLS ASSEMBLY - WALVOIL

ITEM	PART NUMBER	DESCRIPTION	QTY
--	0911232	BASIC PROP CTL WALVOIL 3 DRAG	--
1	0302230	ADJ CLEVIS, 5/16"	4
2	0302726	GREASE FITTING, 1/4"-28 X 45°	11
3	0310148	BOOT, CONTROL HANDLE	11
4	0400066	1/4-20 X 3/4 HHCS GR.5,ZP	14
5	0400070	1/4-20 x 1 HHCS GR5 ZP	26
6	0400107	5/16-2.5 x 2-1/2 HHCS	4
7	0400126	3/8-16 X 1 HHCS GR.5,ZP	2
8	0400365	HEX NUT, 1/4"-28	26
9	0400367	1/4-20 NYLOCK HEX NUT ZP	22
10	0400379	CLIP, 5/16" "J" TYPE TINNEMAN	8
11	0400382	5/16-18 NYLOCK HEX NUT ZP	4
12	0400392	3/8-16 NYLOCK HEX NUT ZP	2
13	0400393	3/8"-16 HEX JAM NUT	11
14	0400451	1/4 FLAT WASHER ZP	7
15	0400452	1/4 HELICAL LOCKWASHER ZP	14
16	0400463	5/16 FLAT WASHER ZP	4
17	0400480	3/8 FLAT WASHER ZP	4
18	0711235	CLAMP, SHAFT CONTROL BOX	2
19	0723378	PLATE - SHAFT SUPPORT	2
20	0724385	COVER CNTRL ASSY BACK12 HDL	1
21	0724669	PIN - CONTROL HANDLE (13)	1
22	0724884	TUBE - SPACER	1
23	0807979	CONTROL FRAME WLMT (13) HANDLE	1
24	0807980	CONTROL ROD WELDMENT	2
25	0807981	CONTROL ROD WELDMENT	2
26	0807982	CONTROL ROD WELDMENT	2
27	0807983	CONTROL ROD WELDMENT	2
28	0810076	CONTROL ROD WELDMENT	1
29	0810077	CONTROL ROD WELDMENT	1
30	0810078	CONTROL ROD WELDMENT	1
31	0810079	CONTROL ROD WELDMENT	1
32	0907441	CONTROL HANDLE ASSEMBLY	11
33	0911317	WALVOIL VALVE ASSY 5 WINCH ROT	1
34	FC41	ELBOW - BULKHEAD	1
35	HD0900	BEARING, ROD END, 1/4-28	18
--	0911510	KIT-KNOB LGD,WV 12HDL MMO	--
36	0300835	KNOB-BOOM (UP-DOWN)	1
37	0300837	KNOB-BOOM (IN-OUT)	1
38	0302856	KNOB-TILT, 3/8-16 THREAD	1
39	0303379	KNOB, SWING CW - CCW	1
40	0303380	KNOB-UNDERLIFT (IN-OUT)	1
41	0303381	KNOB - UNDERLIFT (UP-DN)	1
42	0303382	KNOB - FOLD (UP-DN)	1
43	0307604	KNOB, RED LONG - SK0700-07	4
44	0311355	HOBBS HOURMETER	1
45	9024041	SWITCH-ROCKER, LIGHTED 12V	22

# Section I - PARTS

## LH CONTROLS ASSEMBLY - WALVOIL (Cont'd)



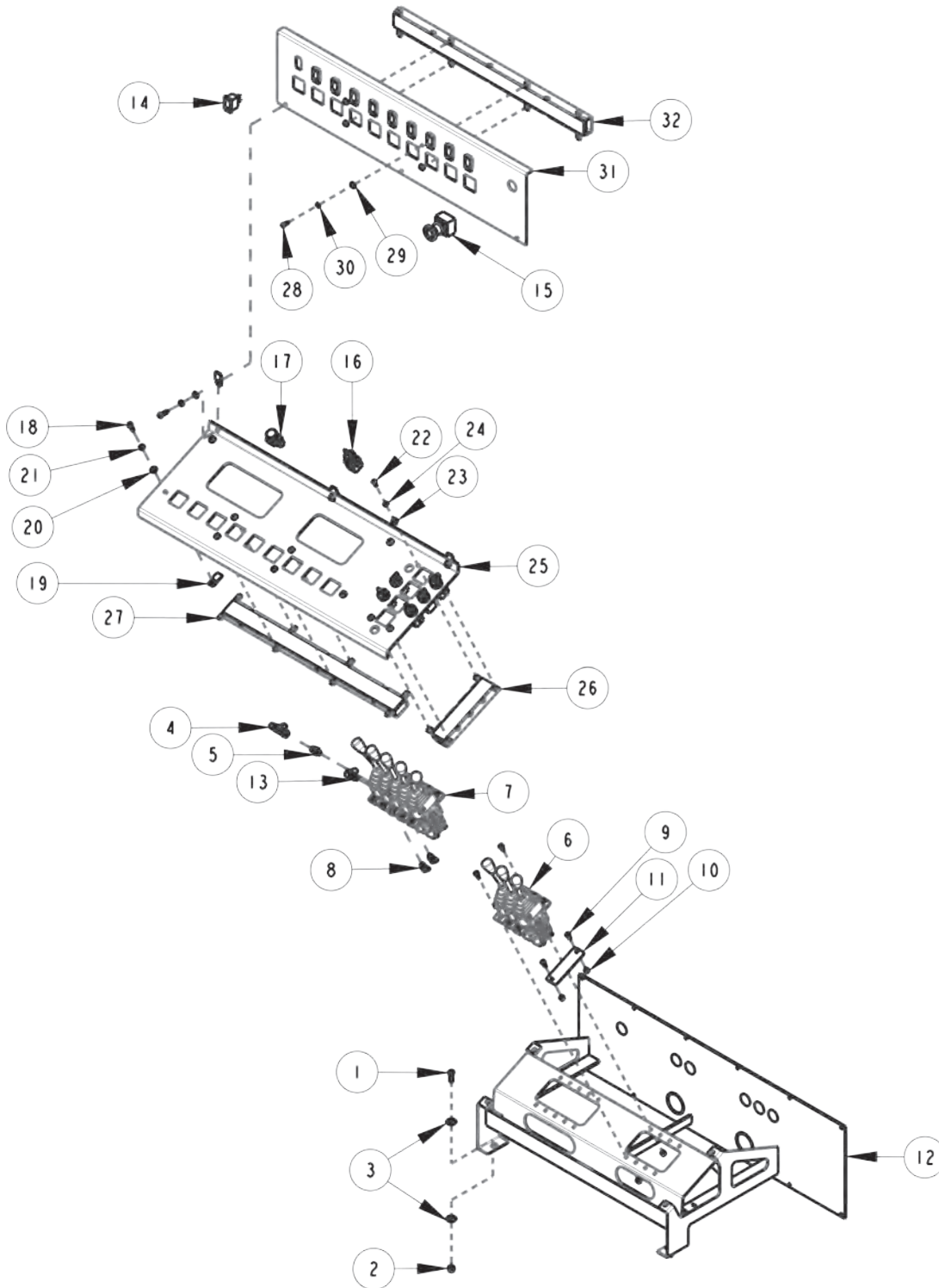
## Section I - PARTS

### LH CONTROLS ASSEMBLY - WALVOIL (Cont'd)

ITEM	PART NUMBER	DESCRIPTION	QTY
--	0911331	ILLUM LEGEND ASSY LH LWR WV	--
46	0400071	SCREW, 1/4"-20 X 3/4" RD HD PHIL SS	12
47	0402110	1/4 FLATWASHER 316 STAINLESS	12
48	0402111	1/4 LOCKWASHER 316 STAINLESS	12
49	0727008	APANEL, CONTROL 13 HANDLE	1
50	0908745	ILLUMINATED LEGEND ASSEMBLY	1
51	0911333	ILLUM LEGEND ASSY 38.5 WV	1
--	0911511	ILLUM LGND LH UPPER WV MMO	--
52	0400071	SCREW, 1/4"-20 X 3/4" RD HD PHIL SS	8
53	0402110	1/4 FLATWASHER 316 STAINLESS	8
54	0402111	1/4 LOCKWASHER 316 STAINLESS	8
55	0727012	APANEL, LH 5 WINCH ROT	1
56	0911512	ILLM LGND ASSY 16.5X2 WV	1
--	0911233	KIT-PROP CTL VALVE WALVOIL	--
57	0306537	EMERGENCY SWITCH(RAMSEY)	2
58	0306540	ROTARY SELECT SWITCH OPERATOR	6
59	0310456	SWITCH, POWER-MOMENTARY	1
60	0400005	SCREW, 6-32X1/2 PRH SS	3
61	0400101	SCREW, 5/16"-18 X 1" RD HD SLOTTED SS	8
62	0400463	5/16 FLAT WASHER ZP	8
63	0400464	5/16 HELICAL LOCKWASHER ZP	8
64	0402094	NUT, HEX 6-32 SS	3
--	0911551	SHIP KIT 1150	--
65	0302205	GAUGE, FLUSH MNTG-6000 PSI	1

# Section I - PARTS

## RH CONTROLS ASSEMBLY - 5 WINCH OPTION (WALVOIL)



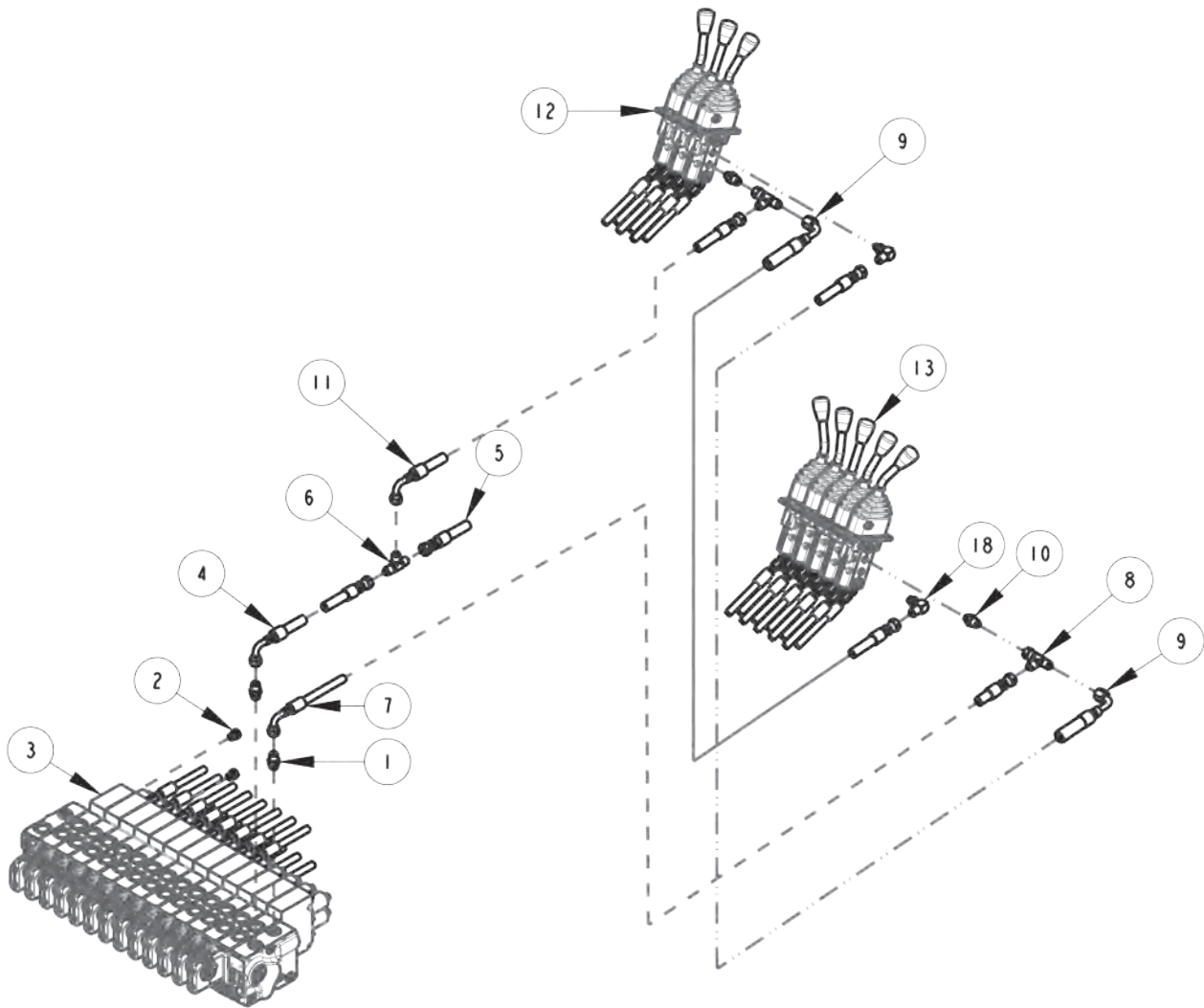


## Section I - PARTS

### RH CONTROLS ASSEMBLY - 5 WINCH OPTION (WALVOIL)

ITEM	PART NUMBER	DESCRIPTION	QTY
--	0911234	BUA RH CONTROLS WALVOIL	--
1	0400122	SCREW, 3/8-16X1-1/4 HHC GR5	2
2	0400392	3/8-16 NYLOCK HEX NUT ZP	2
3	0400480	3/8 FLAT WASHER ZP	4
--	0911324	RH CTL STATION ASSEMBLY 5WIN WV	--
4	0301781	FITTING, SWV NUT RUN TEE	2
5	0302695	ADAPTER, 6MJ-4MB	2
6	0311131	VALVE-3 SPOOL PILOT W/ HANDLES	1
7	0311133	VALVE-5 SPOOL PILOT W/ HANDLES	1
8	0311427	FITTING, 4MJ-4MB 45	14
9	0400066	1/4-20 X 3/4 HHCS GR.5,ZP	18
10	0400367	1/4-20 NYLOCK HEX NUT ZP	18
11	0724777	PLATE-JOYSTICK COVER	2
12	0810056	CNTRL FRAME WLDMT-RT PILOT VLV	1
13	IC209	FTG-90DEG ADPTR 1/4 ORB	2
--	0911510	KIT KNOB LEGEND PNL WV 12 LAF	--
14	9024041	SWITCH-ROCKER, LIGHTED 12V	22
--	0911236	RH KNOB DECAL PNL 9HDL WV	--
15	0306537	EMERGENCY SWITCH(RAMSEY)	2
16	0306540	ROTARY SELECT SWITCH OPERATOR	6
17	0310456	SWITCH, POWER-MOMENTARY	1
18	0400101	SCREW, 5/16"-18 X 1" RD HD SLOTTED SS	8
19	0400379	CLIP, 5/16" "J" TYPE TINNERMAN	8
20	0400463	5/16 FLAT WASHER ZP	8
21	0400464	5/16 HELICAL LOCKWASHER ZP	8
--	0911237	ILLUM LEGEND ASSEMBLY RH LWR WV	--
22	0400071	SCREW, 1/4"-20 X 3/4" RD HD PHIL SS	8
23	0402110	1/4 FLATWASHER 316 STAINLESS	8
24	0402111	1/4 LOCKWASHER 316 STAINLESS	8
25	0727011	APANEL, CONTROL	1
26	09000120	ILLUMINATED LEGEND ASSEMBLY	1
27	09000142	ILLUM LEGEND ASSEMBLY 24.75	1
--	09000135	ILLUM LEGEND ASSEMBLY RT UP	--
28	0400071	SCREW, 1/4"-20 X 3/4" RD HD PHIL SS	4
29	0402110	1/4 FLATWASHER 316 STAINLESS	4
30	0402111	1/4 LOCKWASHER 316 STAINLESS	4
31	0727010	APANEL, 10 SWITCH	1
32	09000139	ILLUM ASSEMBLY LEGEND ASSEMBLY 27.5	1

**Section I - PARTS**  
**RH CONTROLS HYDRAULICS - 5 WINCH OPTION (WALVOIL)**

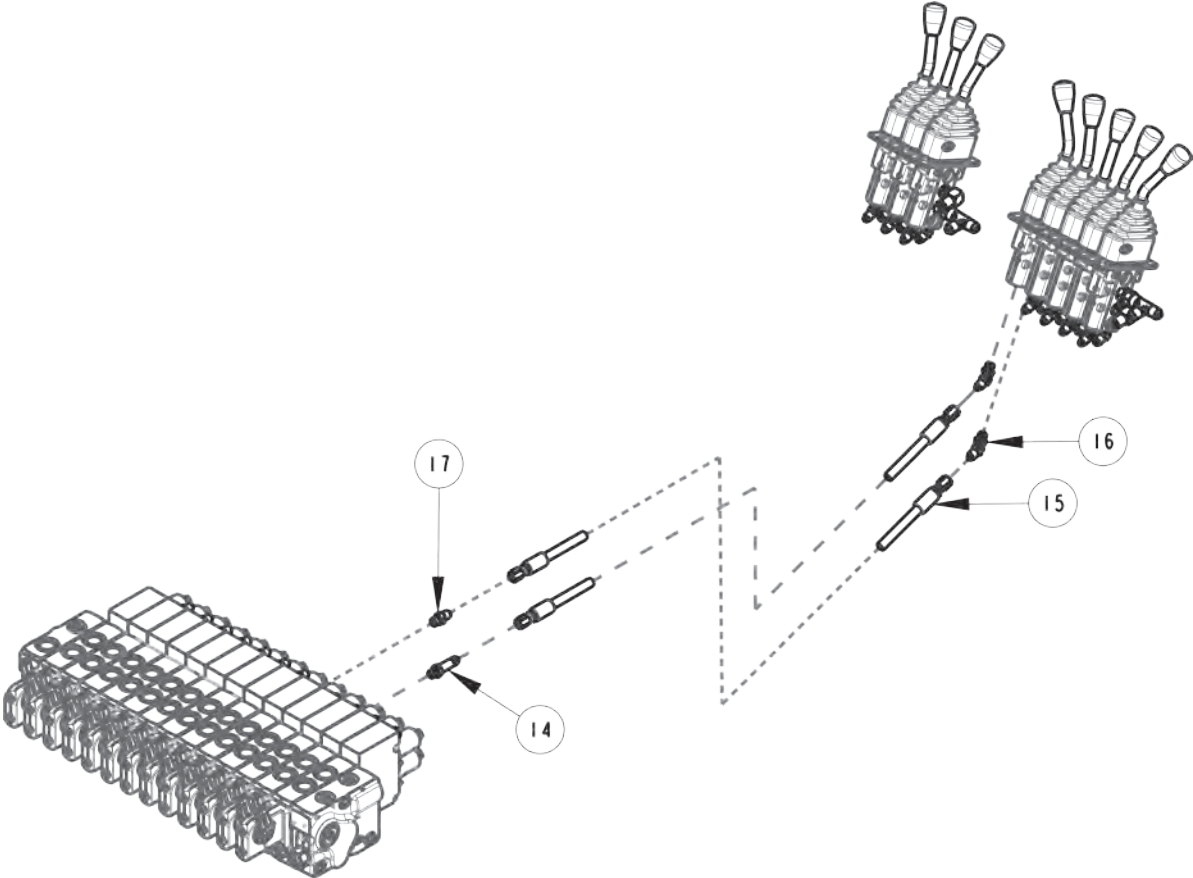


## Section I - PARTS

### RH CONTROLS HYDRAULICS - 5 WINCH OPTION (WALVOIL)

ITEM	PART NUMBER	DESCRIPTION	QTY
--	0911317	WALVOIL VALVE ASSY 5 WINCH ROT	--
1	0301522	FITTING, CONNECTOR 6MJ-6MB	3
2	0303886	4 MB-PLUG	8
3	0311130	VALVE-CONTROL 13 SPOOL ROTATOR	1
--	0911318	HOSE KIT-WV PROP 5 WINCH	--
4	0302604	HOSE, HYDRAULIC 44"	7
5	0303394	HOSE, HYDRAULIC 46"	2
--	0911324	RH CTL STATION ASSEMBLY 5WIN WV	--
6	0301377	FITTING, TEE, 3/8" JIC	1
7	0301695	HOSE, HYDRAULIC 91"	1
8	0301781	FITTING, SWV NUT RUN TEE	2
9	0301998	HOSE, HYDRAULIC 24" LG	2
10	0302695	ADAPTER, 6MJ-4MB	2
11	0303170	HOSE, HYDRAULIC 75"	1
12	0311131	VALVE-3 SPOOL PILOT W/ HANDLES	1
13	0311133	VALVE-5 SPOOL PILOT W/ HANDLES	1
14	0311425	FITTING, 4MJ-4MBL	8
15	0311426	HOSE ASSEMBLY-80" 4FJX X 2	14
16	0311427	FITTING, 4MJ-4MB 45	14
17	HC1291	FITTING, 4MJ-4MB STR THR	8
18	IC209	FTG-90DEG ADPTR 1/4 ORB	2

**Section I - PARTS**  
**RH CONTROLS HYDRAULICS - 5 WINCH OPTION (WALVOIL)**

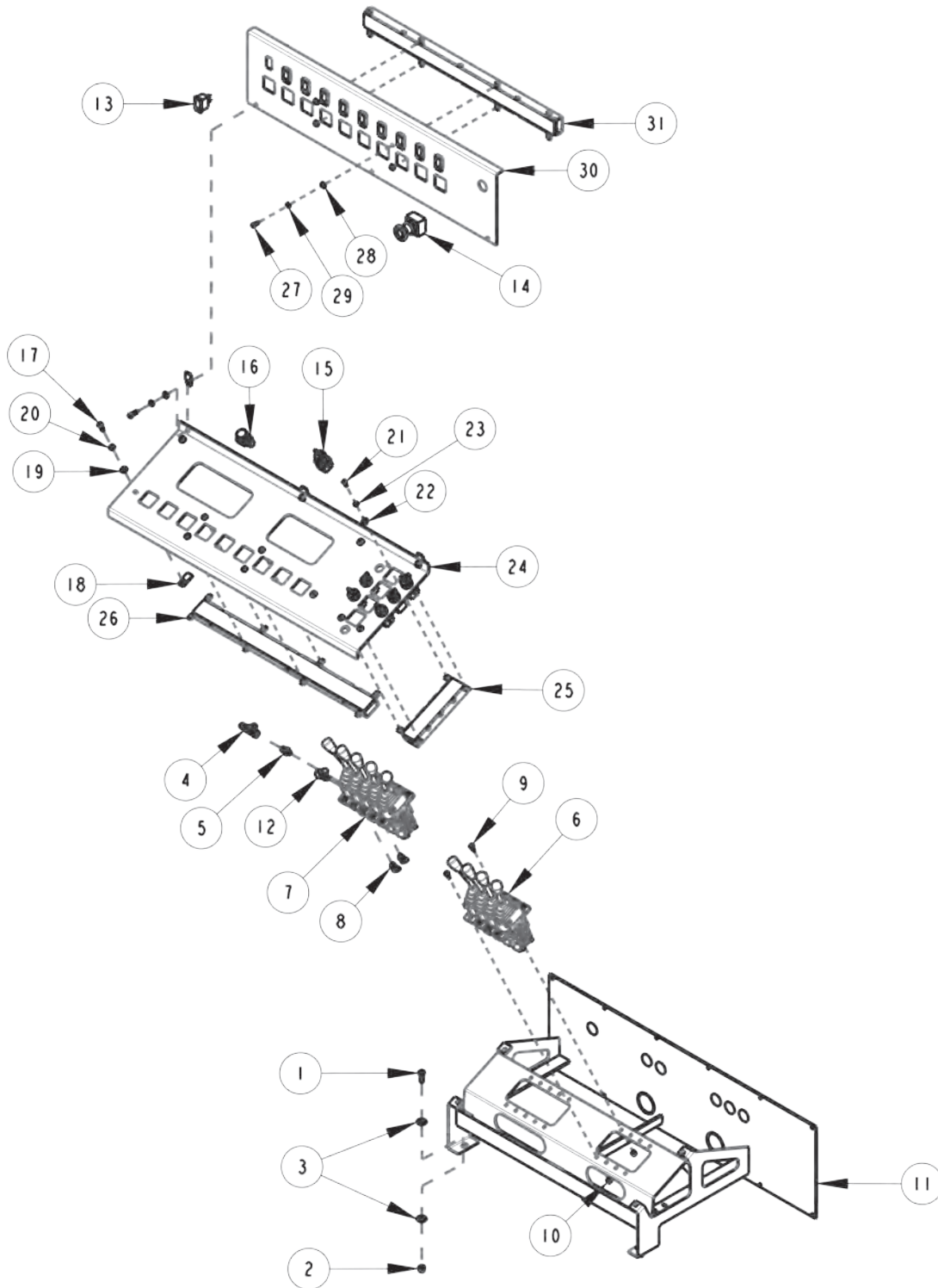


## Section I - PARTS

### RH CONTROLS HYDRAULICS - 5 WINCH OPTION (WALVOIL)

ITEM	PART NUMBER	DESCRIPTION	QTY
--	0911317	WALVOIL VALVE ASSY 5 WINCH ROT	--
1	0301522	FITTING, CONNECTOR 6MJ-6MB	3
2	0303886	4 MB-PLUG	8
3	0311130	VALVE-CONTROL 13 SPOOL ROTATOR	1
--	0911318	HOSE KIT-WV PROP 5 WINCH	--
4	0302604	HOSE, HYDRAULIC 44"	7
5	0303394	HOSE, HYDRAULIC 46"	2
--	0911324	RH CTL STATION ASSEMBLY 5WIN WV	--
6	0301377	FITTING, TEE,3/8" JIC	1
7	0301695	HOSE, HYDRAULIC 91"	1
8	0301781	FITTING, SWV NUT RUN TEE	2
9	0301998	HOSE, HYDRAULIC 24" LG	2
10	0302695	ADAPTER, 6MJ-4MB	2
11	0303170	HOSE, HYDRAULIC 75"	1
12	0311131	VALVE-3 SPOOL PILOT W/ HANDLES	1
13	0311133	VALVE-5 SPOOL PILOT W/ HANDLES	1
14	0311425	FITTING, 4MJ-4MBL	8
15	0311426	HOSE ASSEMBLY-80" 4FJX X 2	14
16	0311427	FITTING, 4MJ-4MB 45	14
17	HC1291	FITTING, 4MJ-4MB STR THR	8
18	IC209	FTG-90DEG ADPTR 1/4 ORB	2

# Section I - PARTS RH CONTROLS ASSEMBLY - 6 WINCH OPTION (WALVOIL)

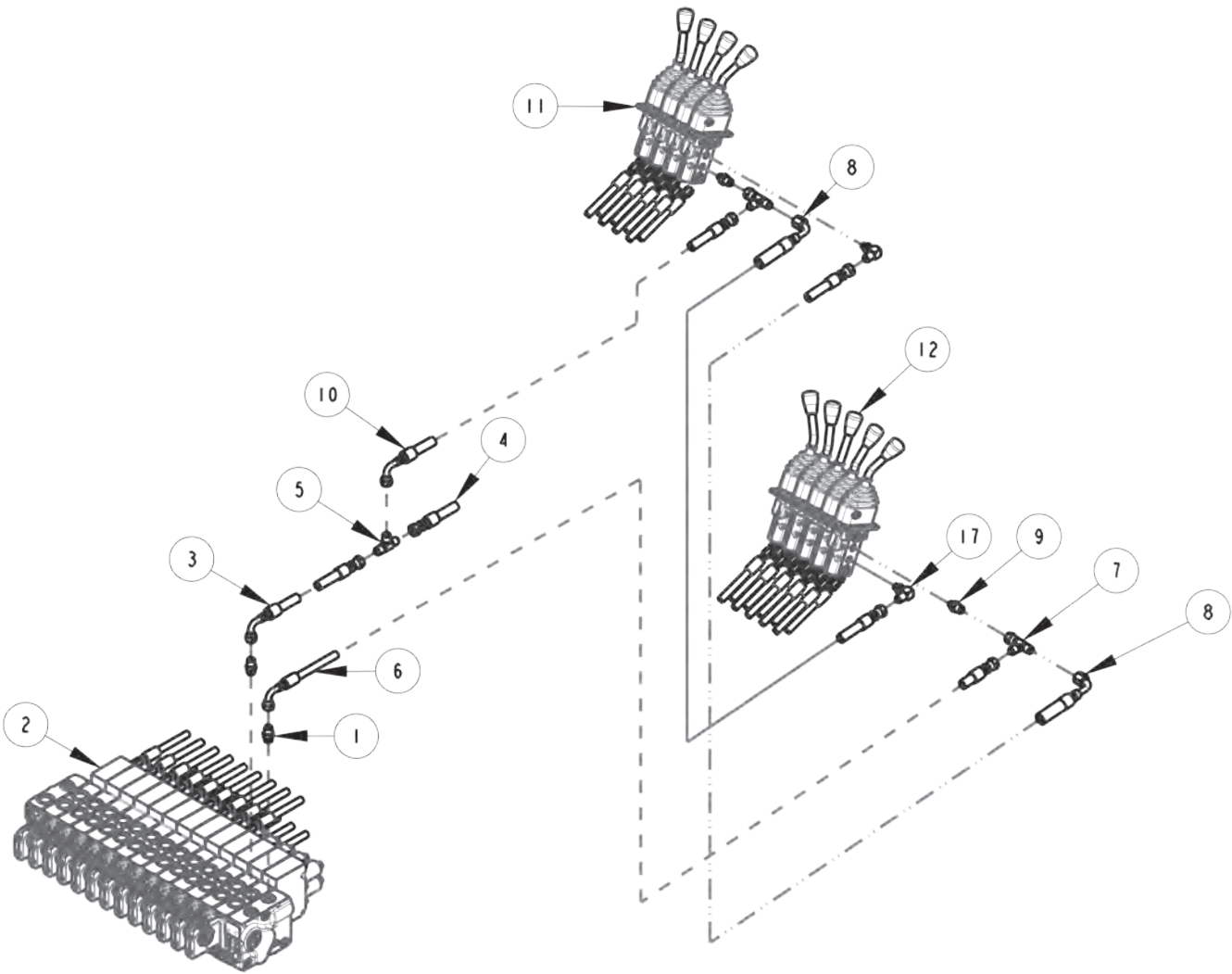


## Section I - PARTS

### RH CONTROLS ASSEMBLY - 6 WINCH OPTION (WALVOIL)

ITEM	PART NUMBER	DESCRIPTION	QTY
--	0911327	BUA - RH 6 WINCH WALVOIL	--
1	0400122	SCREW, 3/8-16X1-1/4 HHC GR5	2
2	0400392	3/8-16 NYLOCK HEX NUT ZP	2
3	0400480	3/8 FLAT WASHER ZP	4
--	0911325	RH CTL STATION ASSEMBLY 6WIN WV	--
4	0301781	FITTING, SWV NUT RUN TEE	2
5	0302695	ADAPTER, 6MJ-4MB	2
6	0311132	VALVE-4 SPOOL PILOT W/ HANDLES	1
7	0311133	VALVE-5 SPOOL PILOT W/ HANDLES	1
8	0311427	FITTING, 4MJ-4MB 45	14
9	0400066	1/4-20 X 3/4 HHCS GR.5,ZP	18
10	0400367	1/4-20 NYLOCK HEX NUT ZP	18
11	0810056	CNTRL FRAME WLDMT-RT PILOT VLV	1
12	IC209	FTG-90DEG ADPTR 1/4 ORB	2
--	0911510	KIT KNOB LEGEND PNL WV 12 LAF	--
13	9024041	SWITCH-ROCKER, LIGHTED 12V	22
--	0911236	RH KNOB DECAL PNL 9HDL WV	--
14	0306537	EMERGENCY SWITCH(RAMSEY)	2
15	0306540	ROTARY SELECT SWITCH OPERATOR	6
16	0310456	SWITCH, POWER-MOMENTARY	1
17	0400101	SCREW, 5/16"-18 X 1" RD HD SLOTTED SS	8
18	0400379	CLIP, 5/16" "J" TYPE TINNEMAN	8
19	0400463	5/16 FLAT WASHER ZP	8
20	0400464	5/16 HELICAL LOCKWASHER ZP	8
--	0911237	ILLUM LEGEND ASSEMBLY RH LWR WV	--
21	0400071	SCREW, 1/4"-20 X 3/4" RD HD PHIL SS	8
22	0402110	1/4 FLATWASHER 316 STAINLESS	8
23	0402111	1/4 LOCKWASHER 316 STAINLESS	8
24	0727011	APANEL, CONTROL	1
25	09000120	ILLUMINATED LEGEND ASSEMBLY	1
26	09000142	ILLUM LEGEND ASSEMBLY 24.75	1
--	09000135	ILLUM LEGEND ASSEMBLY RT UP	--
27	0400071	SCREW, 1/4"-20 X 3/4" RD HD PHIL SS	4
28	0402110	1/4 FLATWASHER 316 STAINLESS	4
29	0402111	1/4 LOCKWASHER 316 STAINLESS	4
30	0727010	APANEL, 10 SWITCH	1
31	09000139	ILLUM ASSEMBLY LEGEND ASSEMBLY 27.5	1

**Section I - PARTS**  
**RH CONTROLS HYDRAULICS - 6 WINCH OPTION (WALVOIL)**



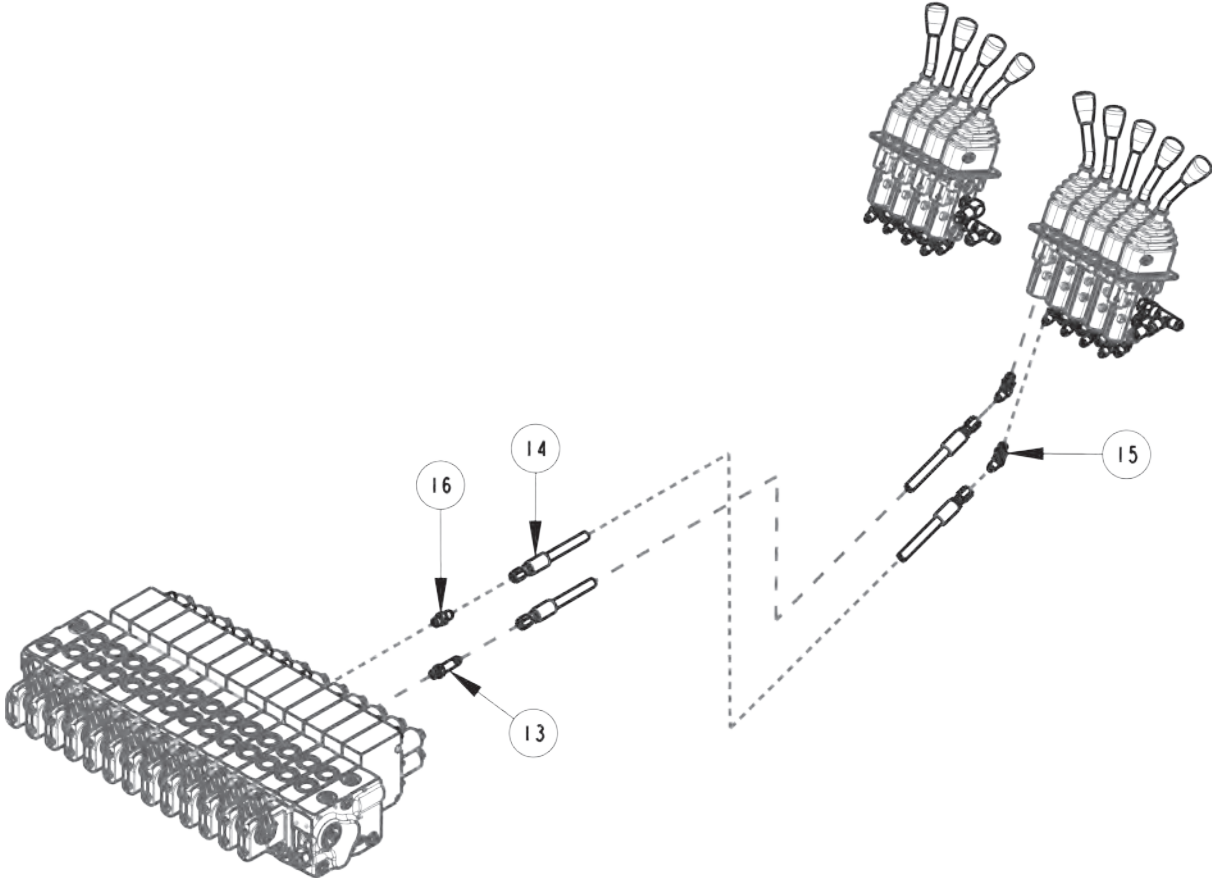


## Section I - PARTS

### RH CONTROLS HYDRAULICS - 6 WINCH OPTION (WALVOIL)

ITEM	PART NUMBER	DESCRIPTION	QTY
--	0911327	WALVOIL VALVE ASSY 6 WINCH ROT	--
1	0301522	FITTING, CONNECTOR 6MJ-6MB	3
2	0311130	VALVE-CONTROL 13 SPOOL ROTATOR	1
--	0911318	HOSE KIT-WV PROP 5 WINCH	--
3	0302604	HOSE, HYDRAULIC 44"	7
4	0303394	HOSE, HYDRAULIC 46"	2
--	0911325	RH CTL STATION ASSEMBLY 6WIN WV	--
5	0301377	FITTING, TEE, 3/8" JIC	1
6	0301695	HOSE, HYDRAULIC 91"	1
7	0301781	FITTING, SWV NUT RUN TEE	2
8	0301998	HOSE, HYDRAULIC 24" LG	2
9	0302695	ADAPTER, 6MJ-4MB	2
10	0303190	HOSE HYD, 84"	1
11	0311132	VALVE-4 SPOOL PILOT W/ HANDLES	1
12	0311133	VALVE-5 SPOOL PILOT W/ HANDLES	1
13	0311425	FITTING, 4MJ-4MBL	8
14	0311426	HOSE ASSEMBLY-80" 4FJX X 2	14
15	0311427	FITTING, 4MJ-4MB 45	14
16	HC1291	FITTING, 4MJ-4MB STR THR	8
17	IC209	FTG-90DEG ADPTR 1/4 ORB	2

**Section I - PARTS**  
**RH CONTROLS HYDRAULICS - 6 WINCH OPTION (WALVOIL)**



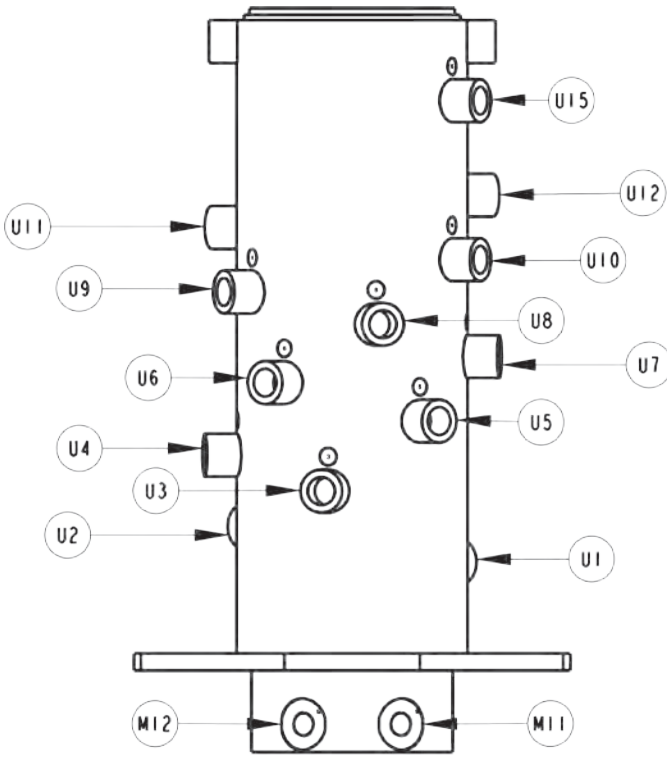
## Section I - PARTS

### RH CONTROLS HYDRAULICS - 6 WINCH OPTION (WALVOIL)

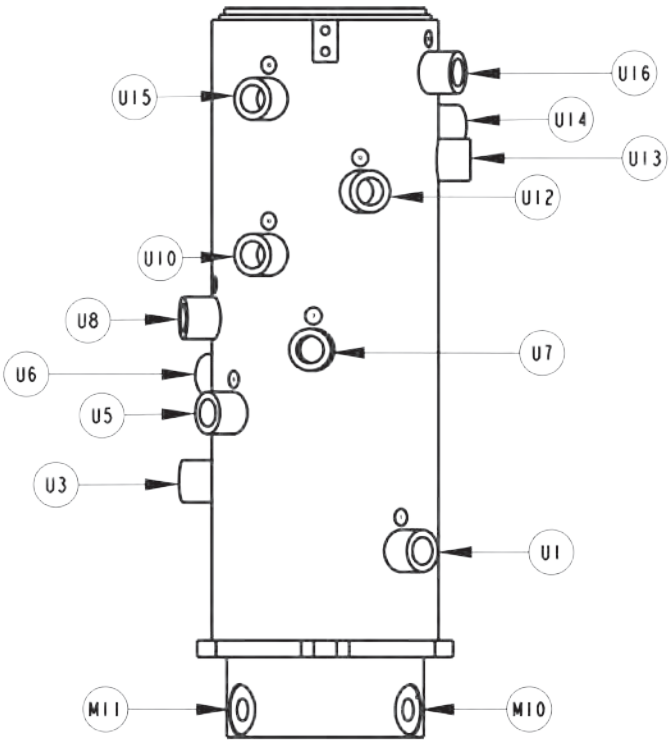
ITEM	PART NUMBER	DESCRIPTION	QTY
--	0911327	WALVOIL VALVE ASSY 6 WINCH ROT	--
1	0301522	FITTING, CONNECTOR 6MJ-6MB	3
2	0311130	VALVE-CONTROL 13 SPOOL ROTATOR	1
--	0911318	HOSE KIT-WV PROP 5 WINCH	--
3	0302604	HOSE, HYDRAULIC 44"	7
4	0303394	HOSE, HYDRAULIC 46"	2
--	0911325	RH CTL STATION ASSEMBLY 6WIN WV	--
5	0301377	FITTING, TEE,3/8" JIC	1
6	0301695	HOSE, HYDRAULIC 91"	1
7	0301781	FITTING, SWV NUT RUN TEE	2
8	0301998	HOSE, HYDRAULIC 24" LG	2
9	0302695	ADAPTER, 6MJ-4MB	2
10	0303190	HOSE HYD, 84"	1
11	0311132	VALVE-4 SPOOL PILOT W/ HANDLES	1
12	0311133	VALVE-5 SPOOL PILOT W/ HANDLES	1
13	0311425	FITTING, 4MJ-4MBL	8
14	0311426	HOSE ASSEMBLY-80" 4FJX X 2	14
15	0311427	FITTING, 4MJ-4MB 45	14
16	HC1291	FITTING, 4MJ-4MB STR THR	8
17	IC209	FTG-90DEG ADPTR 1/4 ORB	2

# Section I - PARTS

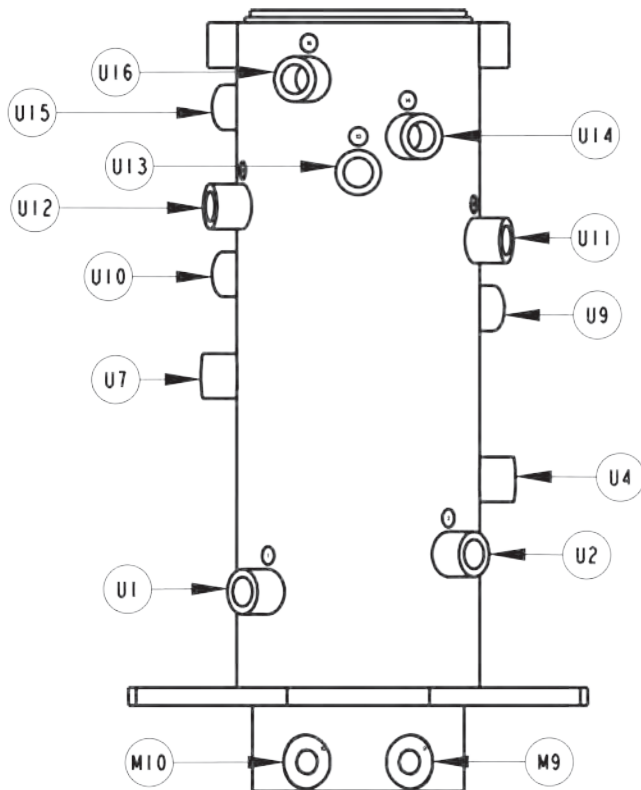
## HYDRAULIC SWIVEL ASSEMBLY - PORTS



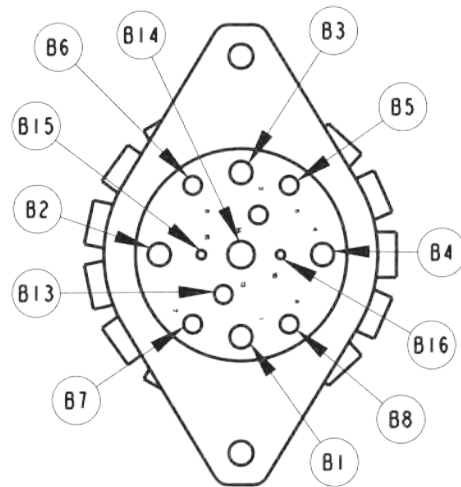
LEFT SIDE VIEW



FRONT SIDE VIEW



RIGHT SIDE VIEW



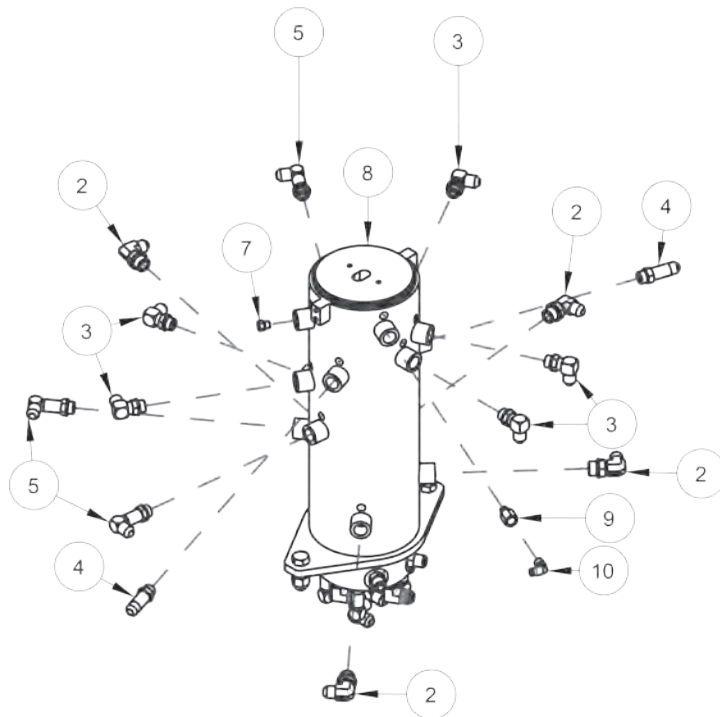
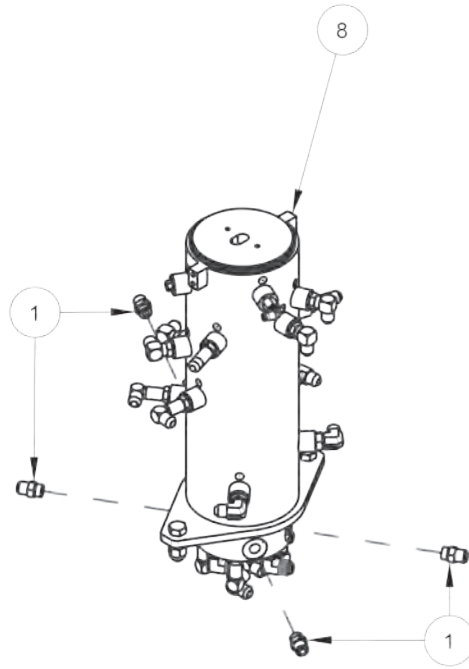
BOTTOM SIDE VIEW

## Section I - PARTS

### HYDRAULIC SWIVEL ASSEMBLY - PORTS

ITEM	PART NUMBER	DESCRIPTION	QTY
--	0911877	KIT, SWIVEL PACKAGE HYDRAULIC ROTARY	--
U1	0300052	FITTING, ELB 8MJ-10MB 90	1
U2	0300052	FITTING, ELB 8MJ-10MB 90	1
U3	0300052	FITTING, ELB 8MJ-10MB 90	1
U4	0300052	FITTING, ELB 8MJ-10MB 90	1
U5	0302508	FITTING, ELL 8MJ-8MB 90LL	1
U6	0302508	FITTING, ELL 8MJ-8MB 90LL	1
U7	0302508	FITTING, ELL 8MJ-8MB 90LL	1
U8	0301388	FITTING, 90ELL, 8MJ-8MB90	1
U9	0301388	FITTING, 90ELL, 8MJ-8MB90	1
U10	0301388	FITTING, 90ELL, 8MJ-8MB90	1
U11	0301445	FITTING, EXTENDED	1
U12	0301445	FITTING, EXTENDED	1
U13	0301388	FITTING, 90ELL, 8MJ-8MB90	1
U14	0301388	FITTING, 90ELL, 8MJ-8MB90	1
U15	0303886	4 MB-PLUG	1
U16	0310132	FITTING, HYDRAULIC 4MB-4FP	1
U16	9010520	FITTING-ELBOW 1/4T-1/4NPT	1
--	0911877	KIT, SWIVEL PACKAGE HYDRAULIC ROTARY	--
M9	0300041	FITTING, CONNECTOR 8MJ-8MB	1
M10	0300041	FITTING, CONNECTOR 8MJ-8MB	1
M11	0300041	FITTING, CONNECTOR 8MJ-8MB	1
M12	0300041	FITTING, CONNECTOR 8MJ-8MB	1
--	0911877	KIT, SWIVEL PACKAGE HYDRAULIC ROTARY	--
B1	GX263	FITTING, ELB 10MJ-10MB90	1
B2	GX263	FITTING, ELB 10MJ-10MB90	1
B3	GX263	FITTING, ELB 10MJ-10MB90	1
B4	GX263	FITTING, ELB 10MJ-10MB90	1
B5	0302508	FITTING, ELL 8MJ-8MB 90LL	1
B6	0302508	FITTING, ELL 8MJ-8MB 90LL	1
B7	0302508	FITTING, ELL 8MJ-8MB 90LL	1
B8	0302508	FITTING, ELL 8MJ-8MB 90LL	1
B13	0301445	FITTING, EXTENDED	1
B14	0301445	FITTING, EXTENDED	1
B15	0302695	ADAPTER, 6MJ-4MB	1
B16	0310132	FITTING, HYDRAULIC 4MB-4FP	1
B16	9010520	FITTING-ELBOW 1/4T-1/4NPT	1

# Section I - PARTS HYDRAULIC SWIVEL ASSEMBLY (U & M PORTS) FITTINGS



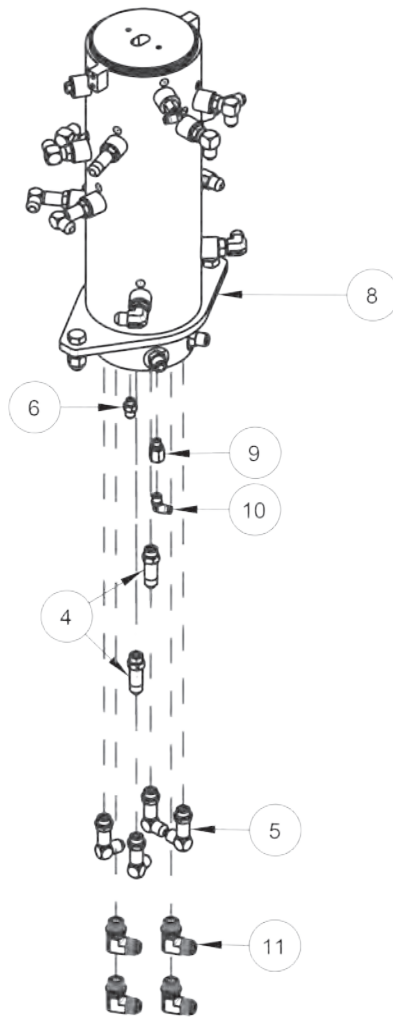
## Section I - PARTS

### HYDRAULIC SWIVEL ASSEMBLY (U & M PORTS) FITTINGS

ITEM	PART NUMBER	DESCRIPTION	QTY
--	0911877	KIT, SWIVEL PACKAGE HYDRAULIC ROTARY	--
1	0300041	FITTING, CONNECTOR 8MJ-8MB	4
2	0300052	FITTING, ELB 8MJ-10MB 90	4
3	0301388	FITTING, 90ELL, 8MJ-8MB90	5
4	0301445	FITTING, EXTENDED	4
5	0302508	FITTING, ELL 8MJ-8MB 90LL	7
6	0302695	ADAPTER, 6MJ-4MB	1
7	0303886	4 MB-PLUG	1
8	0310083	SWIVEL, HYDRAULIC	1
9	0310132	FITTING, HYDRAULIC 4MB-4FP	2
10	9010520	FITTING-ELBOW 1/4T-1/4NPT	2
11	GX263	FITTING, ELB 10MJ-10MB90	4

# Section I - PARTS

## HYDRAULIC SWIVEL ASSEMBLY (B PORTS) FITTINGS





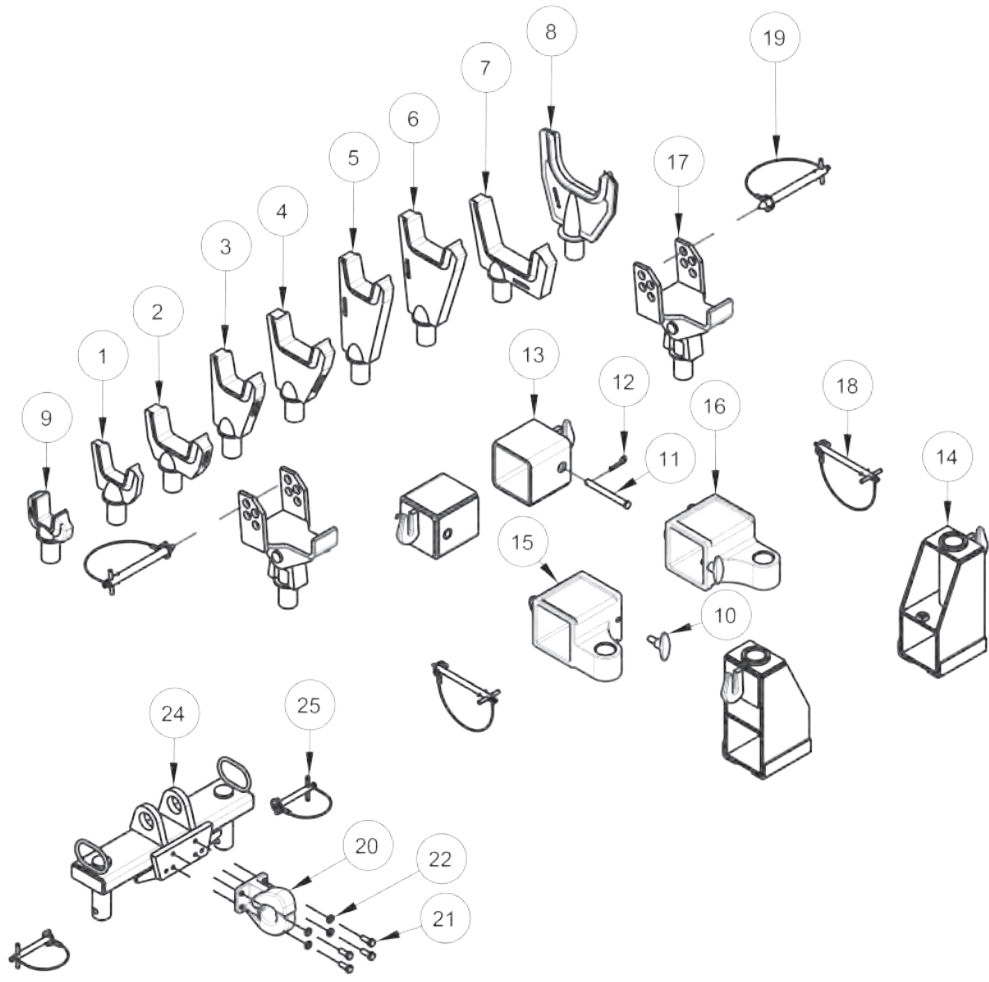
## Section I - PARTS

### HYDRAULIC SWIVEL ASSEMBLY (B PORTS) FITTINGS

ITEM	PART NUMBER	DESCRIPTION	QTY
--	0911877	KIT, SWIVEL PACKAGE HYDRAULIC ROTARY	--
1	0300041	FITTING, CONNECTOR 8MJ-8MB	4
2	0300052	FITTING, ELB 8MJ-10MB 90	4
3	0301388	FITTING, 90ELL, 8MJ-8MB90	5
4	0301445	FITTING, EXTENDED	4
5	0302508	FITTING, ELL 8MJ-8MB 90LL	7
6	0302695	ADAPTER, 6MJ-4MB	1
7	0303886	4 MB-PLUG	1
8	0310083	SWIVEL, HYDRAULIC	1
9	0310132	FITTING, HYDRAULIC 4MB-4FP	2
10	9010520	FITTING-ELBOW 1/4T-1/4NPT	2
11	GX263	FITTING, ELB 10MJ-10MB90	4

# Section I - PARTS

## LIFT ADAPTERS



# Section I - PARTS

## LIFT ADAPTERS

ITEM	PART NUMBER	DESCRIPTION	QTY
--	0906613	KIT - STANDARD FORK SDU	--
1	0200018	FORK, SHORT 3" OPENING	2
2	0200019	FORK, SHORT 4-1/2" OPENING	2
3	0200020	FORK, MEDIUM 3" OPENING	2
4	0200021	FORK, MEDIUM 4-1/2" OPENING	2
5	0200022	FORK, LONG 3" OPENING	2
6	0200023	FORK, LONG 4-1/2" OPENING	2
7	0200024	FORK, OFFSET REAR AXLE	2
8	0200042	FORK, MEDIUM ROUND AXLE	2
9	0200058	FORK-AXLE	2
10	0306564	ALUMINUM T HANDLE, 5/8 X 1-1/4	4
11	0310230	CLEVIS PIN, 5/8 X 6 ZP	2
12	0400886	PIN, 1/8" X 2.6 HAIR	2
13	0801186	ADAPTER-HDU CHAIN (LH & RH)	2
14	0801459	BRACKET - RISER - HDU	2
15	0803591	ADAPTER-LEFT FORK 5X5	1
16	0803592	ADAPTER-RIGHT FORK 5X5	1
17	0807023	BRACKET - PIVOT SPRING LIFT	2
18	0900900	PIN-ASSEMBLY, RETAINER	2
19	0908672	PIN-RET.-SPRING LIFT	2
--	124002211	PINTLE HOOK KIT	--
20	0302198	PINTLE HOOK	1
21	0400177	SCREW, 1/2"-13 X 1-1/4" HHCS GR 5 ZP	4
22	0400491	LOCKWASHER, 1/2" HELICAL ZP	4
23	0500241	SAFETY CHAIN WARNING DEC.(NOT SHOWN)	1
24	0803831	5TH WHEEL & KING PIN ADAPTER	1
25	0902378	RETAINER PIN ASSEMBLY	2



**CENTURY®**

Miller Industries Towing Equipment Inc.

8503 Hilltop Drive • Ooltewah, Tennessee 37363 • (423) 238-4171

[www.millerind.com](http://www.millerind.com)