

# CENTURY®

L E G E N D A R Y   L E A D E R S H I P



**OWNER'S MANUAL**

**1140 & 1130 / SDU4 & LDU**

**PARTS**

**NOTE: MANUAL** including SPECIFICATIONS, subject to change without notice.  
All ratings specified are based on structural factors only,  
not vehicle capacities or capabilities.

**CENTURY®**

Miller Industries Towing Equipment Inc.  
8503 Hilltop Drive  
Ooltewah, Tennessee 37363  
Phone (423) 238-4171 • FAX (423) 238-5371

FORM NO. 0501712  
REV. A  
11 / 2009  
PRICE \$25.00

## LIMITED WARRANTY

MILLER INDUSTRIES TOWING EQUIPMENT INC., hereinafter referred to as MILLER, warrants to the original purchaser that each new MILLER wrecker or other MILLER products will be free from defects in material and workmanship for a period of twelve (12) months from date placed in service, but in no event shall such warranty period exceed twenty-four (24) months from date of manufacture by MILLER. The purchaser must promptly notify MILLER in writing of any failure in material or workmanship. In no event shall MILLER accept such notification later than twenty-four (24) months from date of delivery or twelve (12) months from date placed in service, whichever is earlier.

MILLER's obligation under this warranty, statutory or otherwise, is limited to the repair or replacement at the MILLER factory, or at a point designated by MILLER, of such part or parts as shall appear upon inspection by MILLER to be defective in material or workmanship. New or remanufactured parts will be used for any replacement at MILLER's option. This warranty is not transferable. This warranty does not obligate MILLER to bear the cost of labor or transportation charges in connection with the repair or replacement of any parts found to be defective, nor shall it apply to a product upon which repairs or alterations have been made unless authorized by MILLER.

EXCEPT AS EXPRESSLY SET FORTH IN THIS WARRANTY, MILLER MAKES NO OTHER WARRANTY, EXPRESS OR IMPLIED, AND HEREBY DISCLAIMS ALL OTHER WARRANTIES INCLUDING, BUT NOT LIMITED TO, THE IMPLIED WARRANTIES OF MERCHANTABILITY AND FITNESS FOR A PARTICULAR PURPOSE. MILLER shall in no event be liable for claimed downtime, claimed loss of profits or goodwill, or any other special, incidental, indirect, or consequential damages concerning or relating to any product or parts, whether based on negligence, strict liability, breach of contract, breach of warranty, misrepresentation or any other legal theory, regardless of whether the loss resulted from any general or particular requirement which MILLER knew or had reason to know about at the time of sale.

MILLER MAKES NO WARRANTY, EXPRESS OR IMPLIED, AS TO THE FINISHED PRODUCTS MANUFACTURED OR SUPPLIED BY ANOTHER MANUFACTURER AND SUPPLIED BY MILLER TO PURCHASER, including, but not limited to, any vehicle to which a MILLER product may be affixed or any accessories or wire rope, and MILLER EXPRESSLY DISCLAIMS ANY IMPLIED WARRANTIES OF MERCHANTABILITY OR FITNESS FOR A PARTICULAR PURPOSE AS TO SUCH EQUIPMENT OR PRODUCTS. This language shall in no way affect or diminish the rights of the purchaser to rely on such warranties as are extended by such manufacturers or suppliers. MILLER shall, to the extent permitted under applicable law, pass on to the purchaser such manufacturer's or seller's warranty.

MILLER, whose policy is one of continuous improvement, reserves the right to improve its products through changes in design or materials as it may deem desirable without being obligated to incorporate such changes in products previously sold. This warranty is not intended to cover or include the following items, which are set forth by way of example and not limitation:

- A. Normal deterioration of trim, paint, lettering, and appearance items due to wear or exposure to weather, road conditions, road treatments, etc.
- B. Any damage or defect due to accident, misuse, abuse, improper or unauthorized repairs, failure to provide reasonable and necessary maintenance, or uses for which the equipment was not designed or intended.
- C. Alterations or modifications that affect performance, operation or reliability.
- D. Normal maintenance parts including, but not limited to, wear pads, bushings, wire rope, mud flaps, fenderettes, light bulbs, hydraulic oil, filters, and tow sling belts.

**IT IS EXPRESSLY UNDERSTOOD THAT MILLER MAKES NO IMPLIED WARRANTY THAT MILLER PRODUCTS SHALL BE FIT FOR THE PURPOSE OF LIFTING OR MOVING PEOPLE OR FOR ANY OTHER IMPROPER USE.**



Miller Industries Towing Equipment Inc.  
8503 Hilltop Drive  
Ooltewah, Tennessee 37363  
Telephone (423) 238-4171

**SERIAL NUMBER**

## **OWNER, USER AND OPERATOR:**

We appreciate your choice of our towing and recovery unit for your application. Our number one priority is user safety which is best achieved by our joint efforts. We feel that you can make a major contribution to safety if you, as the equipment owner and operator:

- 1. Comply with Federal, State, and Local Regulations.**
- 2. Read, Understand, and Follow the Instructions in this Manual.**
- 3. Use Good, Safe Work Practices in a Common Sense Way.**
- 4. Only have Authorized and Trained Personnel performing maintenance on the Towing and Recovery Unit.**

# TABLE OF CONTENTS

It is assumed by the manufacturer that the Owner/Operator has a thorough knowledge of the accepted and lawful retrieval and towing methods as dictated by his city, county or state. The manufacturer rejects any liability claim that may result from the incorrect or unlawful application of its equipment.

## Section I - PARTS

SUBFRAME ASSEMBLY .....	I-2 & I-3
BODY ASSEMBLY .....	I-4 & I-5
LDU ASSEMBLY .....	I-6 thru I-9
LDU LIFT & EXTEND HYDRAULICS .....	I-10 & I-11
LDU TILT & FOLD HYDRAULICS .....	I-12 & I-13
LDU LOWRIDER2 ASSEMBLY .....	I-14 & I-15
SDU4 ASSEMBLY .....	I-16 thru I-19
SDU4 LIFT & EXTEND HYDRAULICS .....	I-20 & I-21
SDU4 TILT & FOLD HYDRAULICS .....	I-22 & I-23
SDU4 LOWRIDER ASSEMBLY .....	I-24 & I-25
LIFT ADAPTERS .....	I-26 & I-27
ROTATOR PINLOCK ASSEMBLY .....	I-28 & I-29
1140 3-STAGE RECOVERY BOOM ASSEMBLY .....	I-30 thru I-33
1140 3-STAGE EXTENSION SYSTEM ASSEMBLY .....	I-34 & I-35
1140 3-STAGE RECOVERY BOOM HYDRAULICS .....	I-36 & I-37
1140 RECOVERY BOOM FRAME HYDRAULICS .....	I-38 & I-39
1140 VALVE TO BOOM FRAME HYDRAULICS .....	I-40 & I-41
1130 RECOVERY FRAME ASSEMBLY .....	I-42 & I-43
1130 RECOVERY BOOM ASSEMBLY .....	I-44 & I-45
1130 RECOVERY BOOM HYDRAULICS .....	I-46 & I-47

# TABLE OF CONTENTS

## Section I - PARTS

1130 RECOVERY BOOM FRAME HYDRAULICS .....	I-48 & I-49
1130 VALVE TO BOOM FRAME HYDRAULICS .....	I-50 & I-51
WINCH HYDRAULICS .....	I-52 & I-53
SWING LIMIT VALVE ASSEMBLY .....	I-54
BOOM SWIVEL ASSEMBLY .....	I-55
1140 PUMP, VALVE & FILTER HYDRAULICS .....	I-56 & I-57
1130 PUMP, VALVE & FILTER HYDRAULICS .....	I-58 & I-59
LEFT CONTROL ASSEMBLY .....	I-60 thru I-63
RIGHT CONTROL ASSEMBLY (OPTIONAL) .....	I-64 thru I-67
FRONT OUTRIGGER VERTICAL ASSEMBLY .....	I-68 & I-69
2-STAGE FRONT OUTRIGGER HORIZONTAL ASSEMBLY .....	I-70 & I-71
3-STAGE FRONT OUTRIGGER HORIZONTAL ASSEMBLY .....	I-72 & I-73
FRONT OUTRIGGER HYDRAULICS .....	I-74 & I-75
3-STAGE REAR OUTRIGGER ASSEMBLY .....	I-76 & I-77
4-STAGE REAR OUTRIGGER ASSEMBLY .....	I-78 thru I-81
REAR OUTRIGGER HYDRAULICS .....	I-82 & I-83
PROPORTIONAL CONTROL KIT W/ SINGLE DRAG WINCH .....	I-84
PROPORTIONAL CONTROL KIT W/ DUAL DRAG WINCH .....	I-85
HYDRAULIC CYLINDERS .....	I-86 & I-87



## Section VI - PARTS

This Section is provided by the manufacturer for the purpose of ordering any component part of the **Century 1130 & 1140 Recovery Unit** and **SDU4 & LDU Underlift** that may be required when part replacement is necessary. Be certain to use only original equipment replacement parts for warranty purposes as well as for keeping your unit in its original state and optimum operating capacities.

When ordering replacement or spare parts be sure to provide the following information to the manufacturer's **Parts Department**.

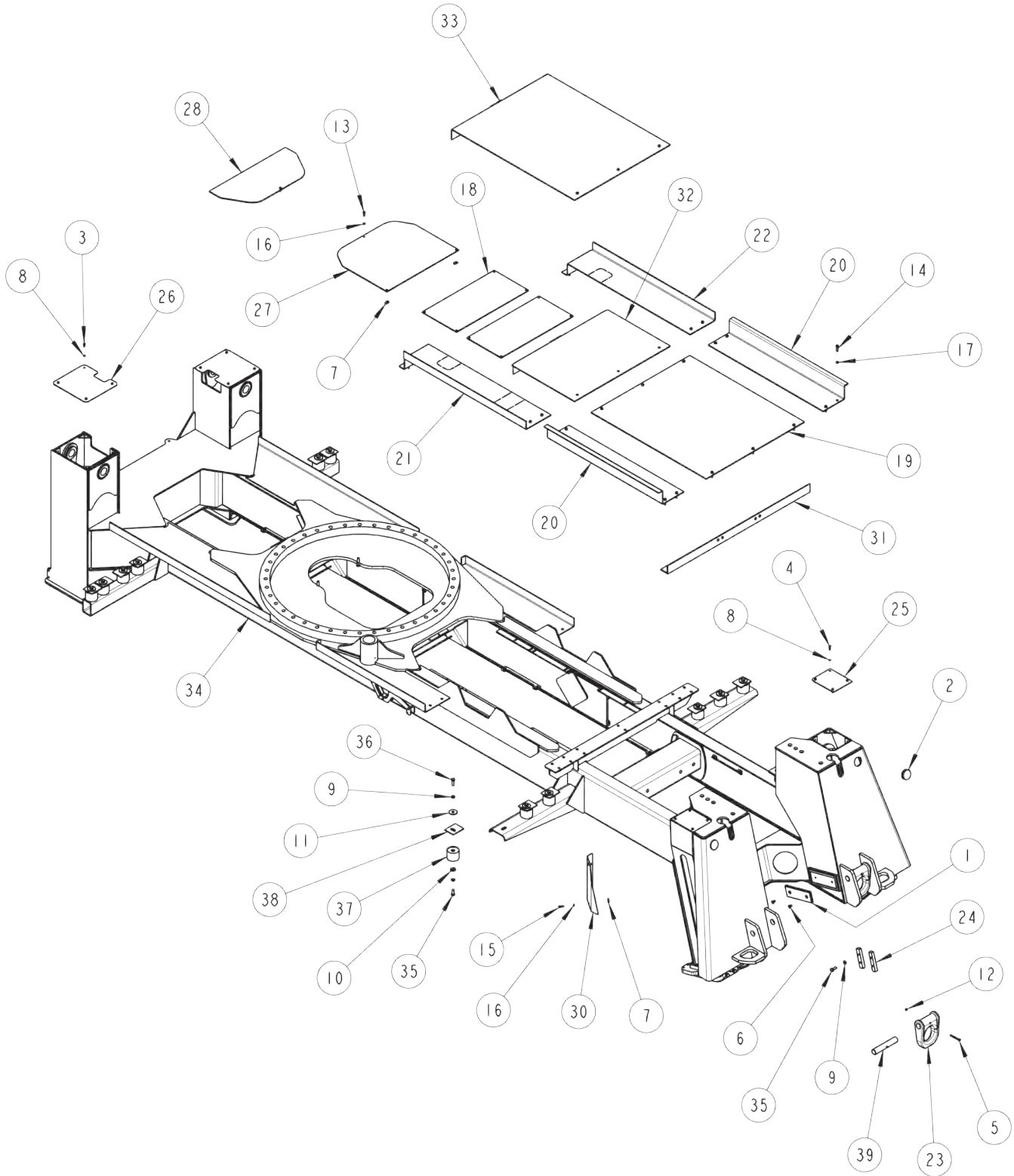
1. **Manual Number & Date of Publication**
2. **Manual Page Number**
3. **Page Title**
4. **Reference Number of Part Desired**
5. **Part Number**
6. **Part Description**
7. **Quantity of Part Desired**

Providing this information will help ensure that the correct parts will be delivered to you in an expedient manner without delay. Should additional information be required for repair or replacement of certain components, contact your Wrecker Manufacturer Authorized Representative.

The Manufacturer reserves the right, without notice or obligation, to improve or modify their products, which may change the specifications, models and feature availability.

# Section I - PARTS (cont'd)

## SUBFRAME ASSEMBLY





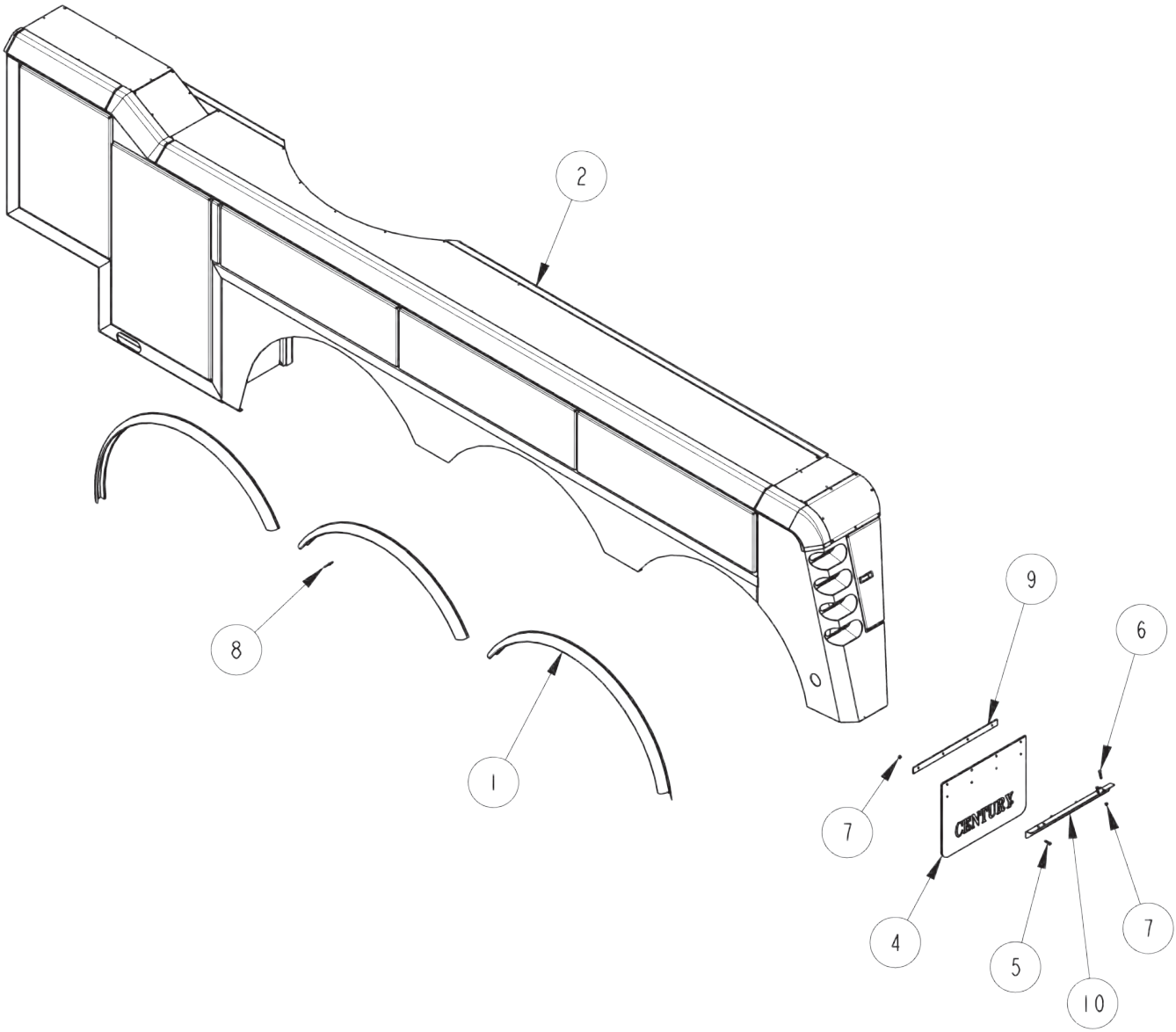
## Section I - PARTS (cont'd)

### SUBFRAME ASSEMBLY

ITEM	PART NUMBER	DESCRIPTION	QTY
1	0303481	SLIDE PAD, BUMPER	2
2	0310637	PLUG HOLE	2
3	0400066	1/4-20 X 3/4 HHCS GR.5,ZP	8
4	0400070	1/4-20 X 1 HHCS GR5 ZP	8
5	0400114	5/16-18 X 3 HHCS GR 5 ZP	2
6	0400349	SCREW, 3/8"-16 X 3/4" FL HD SKT	4
7	0400379	CLIP, 5/16" "J" TYPE TINNERMAN	8
8	0400452	1/4 HELICAL LOCK WASHER ZP	16
9	0400491	1/2 HELICAL LOCK WASHER ZP	28
10	0400497	1/2 FLAT WASHER GR.8,YZ PLATED	6
11	0400498	WASHER, 1/2' ID X 2" OD X .150	14
12	0400776	HEX NUT	2
13	0400996	SCREW, 5/16"-18 X 1" BUTTON HEAD SKT	4
14	0400998	SCREW, 3/8"-16 X 1 1/2" BUTTON HEAD SKT	25
15	0402032	5/16 X 1 HHCS SS	4
16	0402118	5/16 HELICAL LOCK WASHER SS	8
17	0402121	3/8 LOCKWASHER 316 STAINLESS	25
18	0717400	FLOOR PLATE COVER REAR	2
19	0717945	FLOOR PLATE COVER U/L REAR	1
20	0717946	FLOOR PLATE OUTER COVER DECK REAR	2
21	0717947	DECK PANEL COVER LEFT FRONT	1
22	0717948	DECK PANEL COVER RIGHT FRONT	1
23	0719585	"D" RING - TOWING	2
24	0721896	PLATE SPACER	4
25	0722002	PLATE REAR OUTRIGGER COVER	2
26	0722171	PLATE FRONT OUTRIGGER COVER	2
27	0722430	FLOOR SHEET REAR VALVE COVER	1
28	0722431	FLOOR SHEET FRONT VALVE COVER	1
29	0722669	COVER - RIGHT CHAIN BOX	1
30	0722670	COVER - LEFT CHAIN BOX	1
31	0806552	ANGLE MTG REAR DECK COVERS	1
32	0806765	DECK PANEL CENTER WELDMENT SHORT	1
33	0806766	DECK PANEL CENTER WELDMENT LONG	1
34	0807503	SUBFRAME WELDMENT	1
35	9041402	1/2-13NC X 1 1/4 HHCS, ZP,GR.8	14
36	9041403	1/2-13 X 1-1/2 HHCS GR 8 ZP	14
37	9402970	TOOLBOX MTG. PAD	14
38	942480011	REAR WASHER PLATE	14
39	GA0215	PIN, D RING	2

Section I - PARTS (cont'd)

BODY ASSEMBLY



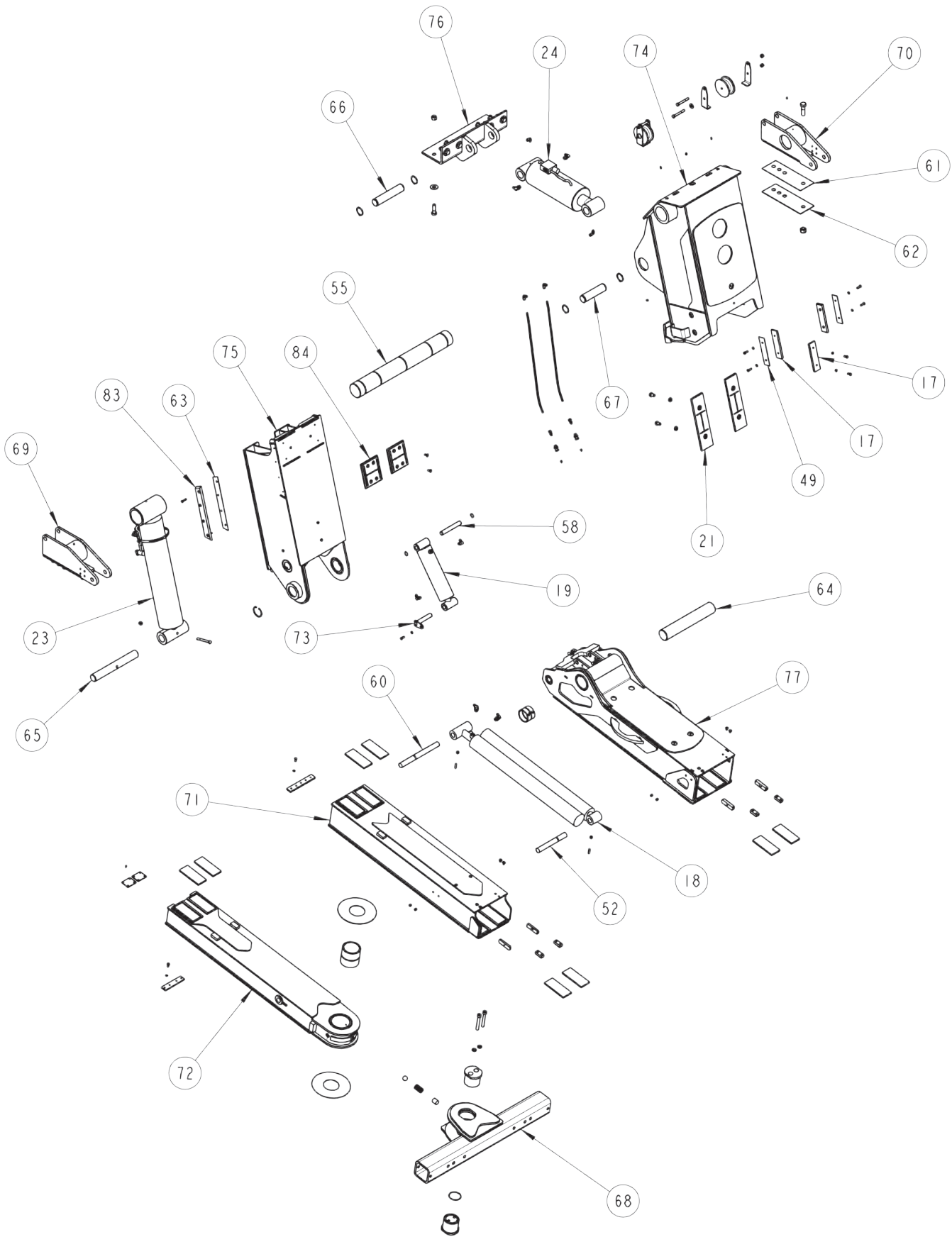
## Section I - PARTS (cont'd)

### BODY ASSEMBLY

ITEM	PART NUMBER	DESCRIPTION	QTY
1	0307151	RUBBER FENDER	3
2	0310541	TOOLBOX - LH AL ROT TRI-2008	1
3	0310590	DOOR SEAL - (NOT SHOWN)	1
4	0310631	MUD FLAP	2
5	0400103	5/16-18 X 1 1/4 HHCS GR.5, ZP	8
6	0400104	5/16-18 X 1-1/2 LG. HHCS	4
7	0400382	5/16-18 NYLOCK HEX NUT ZP	12
8	0400607	RIVET, 1/4" X 5/8" ALUMINUM	54
9	0717386	BAR - MUDFLAP	2
10	0718264	ANGLE - ROTATOR MUD FLAP MOUNT	2
11	0908418	MUD FLAP KIT CENTURY ROTATOR	1

# Section I - PARTS (cont'd)

## LDU ASSEMBLY



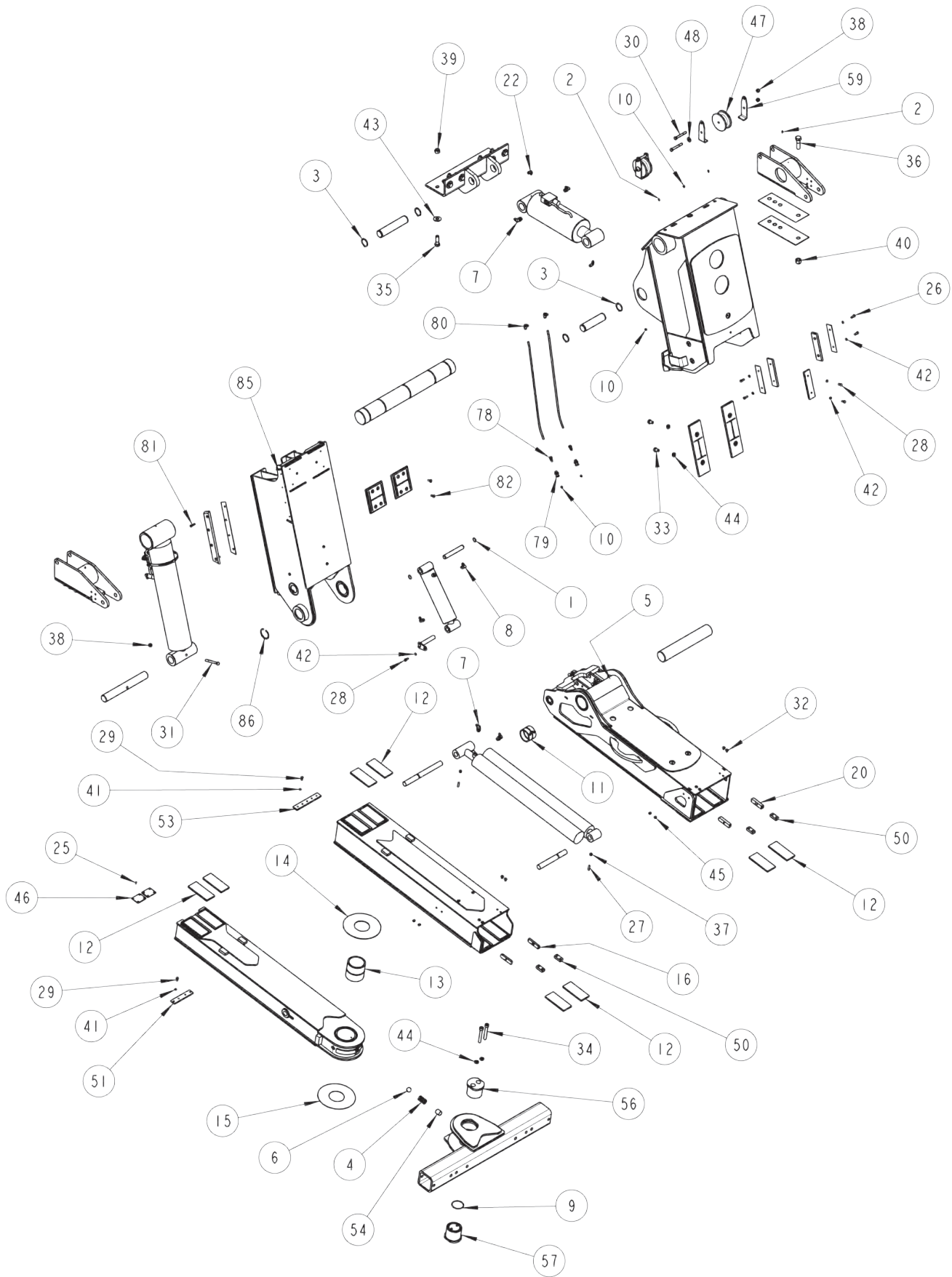
## Section I - PARTS (cont'd)

### LDU ASSEMBLY

ITEM	PART NUMBER	DESCRIPTION	QTY
1	0300110	SNAP RING, 1"	2
2	0300113	GREASE FITTING, 1/4-28 STRAIGHT	12
3	0300329	SNAP RING, EXT 2"	4
4	0301197	DETENT SPRING	1
5	0301397	GREASE FITTING, 90 DEG	2
6	0301398	DETENT BALL	1
7	0301470	ELBOW, 6MJ-8MB90	4
8	0301620	FITTING, ELBOW, 6MJ-6MB90	6
9	0301822	O-RING, PIVOT PIN	1
10	0301895	GREASE FITTING, 1/8 NPT STRAIGHT	5
11	0302538	SPRING BUSHING, 3.5OD X 3ID X 2.5	2
12	0302561	SLIDE PAD	8
13	0303088	BUSHING, PIVOT PIN	1
14	0303097	THRUST WASHER, 1/8" THICK	1
15	0303098	THRUST WASHER, 1/16" THICK	1
16	0303490	WEAR PAD (1/2 X 1 X 4)	2
17	0303892	SLIDE PAD, BOOM SIDE	3
18	0306744	CYLINDER - U/L EXTEND	1
19	0306746	CYLINDER, HYD LIFT	1
20	0306825	PAD - WEAR	2
21	0307351	SLIDE PAD, SDU/2	2
22	0307980	ELBOW, 1/8 NPT X 3/8 TUBE 90	2
23	0310477	CYLINDER, HYD LIFT	1
24	0310478	CYLINDER - TILT	1
25	0400044	DRIVE SCREW, #10-24 X 1/2" RD HD	8
26	0400126	3/8-16 X 1 HHCS GR.5,ZP	4
27	0400139	SCREW, 3/8"-16 X 1-1/2" HEX SKT SET	2
28	0400141	3/8-16 X 7/8 HHCS GR5 ZP	3
29	0400151	3/8-24 X 3/4 HHCS GR5 ZP	9
30	0400191	1/2-13 X 3 3/4 HHCS GR5 ZP	4
31	0400219	1/2-13 X 4-1/2 HHCS GR.5 ZP	1
32	0400228	SCREW, 3/8"-24 X 5/8" BUTTON HEAD SKT	8
33	0400248	5/8-11 X HHCS GR 8 ZP	4
34	0400271	SCREW, 5/8"-11 X 4-1/2" SKT HD CAP	2
35	0400288	3/4-10 X 2-1/2 HHCS GR.8 GOLD	8
36	0400306	7/8-9 X 3 HHCS GR. 8 GOLD	8
37	0400392	3/8-16 NYLOCK HEX NUT ZP	4
38	0400408	1/2-13 NYLOCK HEX NUT ZP	5
39	0400430	3/4-10 NYLOCK HEX NUT ZP	8
40	0400437	7/8-9 NYLOCK HEX NUT GR.8 ZP	8
41	0400481	LOCKWASHER, 3/8" EXT TOOTH	9
42	0400482	3/8 HELICAL LOCK WASHER ZP	7
43	0400490	3/4 FLAT WASHER GR.8	8
44	0400508	5/8 HELICAL LOCK WASHER ZP	6
45	0400990	1/2-13 X 1/2 SKT HD SET SCREW ZP	8
46	0703277	SLIDER PAD	2
47	0703484	PULLEY, HOSE TENSIONER	2
48	0703488	WASHER, HOSE TENSIONER PULLEY	4
49	0703734	SHIM, SIDE PLATE, OUTER BOOM	2
50	0706995	BLOCK, STOP 2ND STAGE	4

# Section I - PARTS (cont'd)

## LDU ASSEMBLY (cont'd)



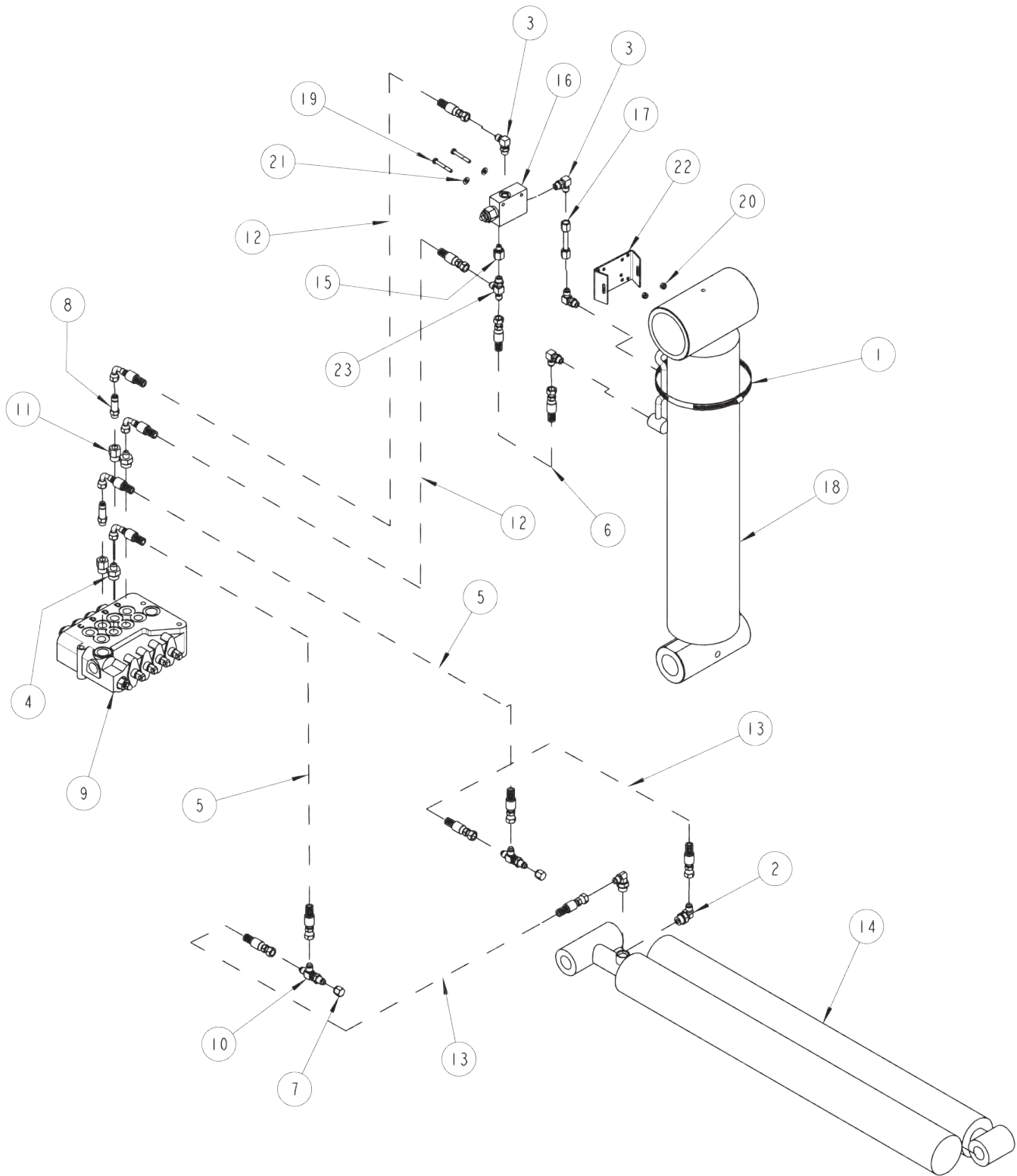
## Section I - PARTS (cont'd)

### LDU ASSEMBLY (cont'd)

ITEM	PART NUMBER	DESCRIPTION	QTY
51	0706996	SPACER PAD	1
52	0707019	EXTEND CYLINDER SHAFT	1
53	0707028	PAD, BEARING	1
54	0708470	SPACER - DETENT BALL	1
55	0709242	MAIN PIVOT PIN	1
56	0710051	PIVOT PIN, TOP HALF	1
57	0710052	PIVOT PIN, BOTTOM HALF	1
58	0714240	PIN, FOLD CYL	1
59	0714388	ANGLE - NYLON SHEAVE	4
60	0716033	PIN - EXTEND CYLINDER	1
61	0716546	PLATE - PIVOT MOUNTING	2
62	0716547	PLATE - PIVOT MOUNTING	2
63	0718912	VERTICAL BOOM GUIDE SHIM	2
64	0722412	PIN - UNDERLIFT PIVOT	1
65	0722413	PIN, LIFT CYLINDER	1
66	0722414	PIN - TILT CYLINDER BASE	1
67	0722415	PIN - TILT CYLINDER ROD	1
68	0802914	CROSSBAR WELDMENT	1
69	0804303	SUPPORT, LEFT PIVOT WELDMENT	1
70	0804304	SUPPORT, RIGHT PIVOT WELDMENT	1
71	0804423	2ND STAGE U/L BOOM	1
72	0804424	3RD STAGE BOOM WLMT	1
73	0806756	PIN WLMT - FOLD CYL	1
74	0807499	OUTER MAST WELDMENT	1
75	0807500	INNER MAST WELDMENT	1
76	0807501	TILT CYLINDER BRACKET WELDMENT	1
77	0807502	UNDERLIFT OUTER BOOM WELDMENT	1
78	9012549	CONNECTOR, 3/8 TUBE X 1/8 NPT	2
79	9012552	BULKHEAD COUPLING, 1/8	2
80	9012584	ELBOW, 1/4 NPT X 3/8 TUBE 90	2
81	9043973	SCREW, 5/16"-16 X 1-1/2" FL HD SKT	8
82	9044434	3/8-16X1 NC FLAT	4
83	805040011	VERTICAL BOOM GUIDE	2
84	945030004	WEAR PAD (UPPER)	2
85	946250019	SLIDE PAD RETAINER BAR	4
86	HD0152	SNAP RING, 3" INTERNAL	2

# Section I - PARTS (cont'd)

## LDU LIFT & EXTEND HYDRAULICS





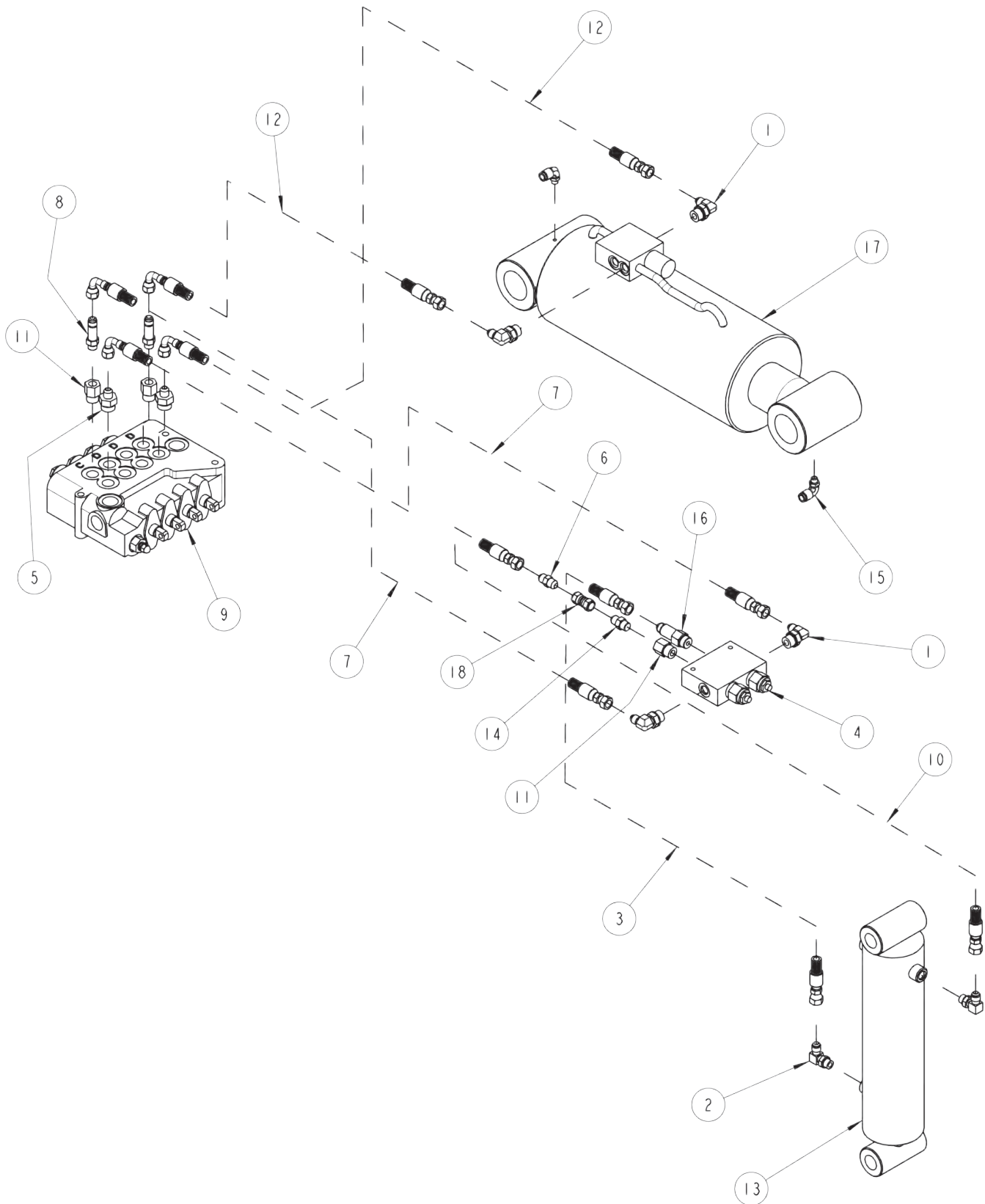
## Section I - PARTS (cont'd)

### LDU LIFT & EXTEND HYDRAULICS

ITEM	PART NUMBER	DESCRIPTION	QTY
1	0300644	HOSE CLAMP, 8"	1
2	0301470	ELBOW, 6MJ-8MB90	2
3	0301620	FITTING, ELBOW, 6MJ-6MB90	4
4	0301778	CONNECTOR 6MJX10MB	2
5	0301998	HOSE ASSY - 6FJX-6M2T-6FJX90S 24" LG	2
6	0302000	HOSE ASSY - 24" LG	1
7	0302065	CAP, 6FJ	2
8	0302510	CONNECTOR, 6MJ-6MBL	2
9	0302511	VALVE, 4 SPOOL VDP12CDDD10	1
10	0302575	BULKHEAD RUN TEE, 6MJ-6BLKHD-6MJ W/NUT	2
11	0303017	CONNECTOR 8MBX6FB	2
12	0303170	HOSE ASSEMBLY, 75" LG.	2
13	0303187	HOSE ASSY - 6FJX-6M2T-6FJX 141" LG	2
14	0306744	CYLINDER - U/L EXTEND	1
15	0307106	CONNECTOR 4MBX6FB	1
16	0307107	VALVE HOLDING 4000 PSI SAE	1
17	0307417	HYDR TUBE ASSY, 3/8"OD X .035" W X 3"	1
18	0310477	CYLINDER, HYD LIFT	1
19	0400078	1/4-20 X 2 HHCS GR5 ZP	2
20	0400367	1/4-20 NYLOCK HEX NUT ZP	2
21	0400451	1/4 FLAT WASHER ZP	2
22	0703001	BRACKET - MOUNTING	1
23	9012594	FITTING, HYD RUN TEE, 6MJ-6MB-6MJ	1

# Section I - PARTS (cont'd)

## LDU TILT & FOLD HYDRAULICS



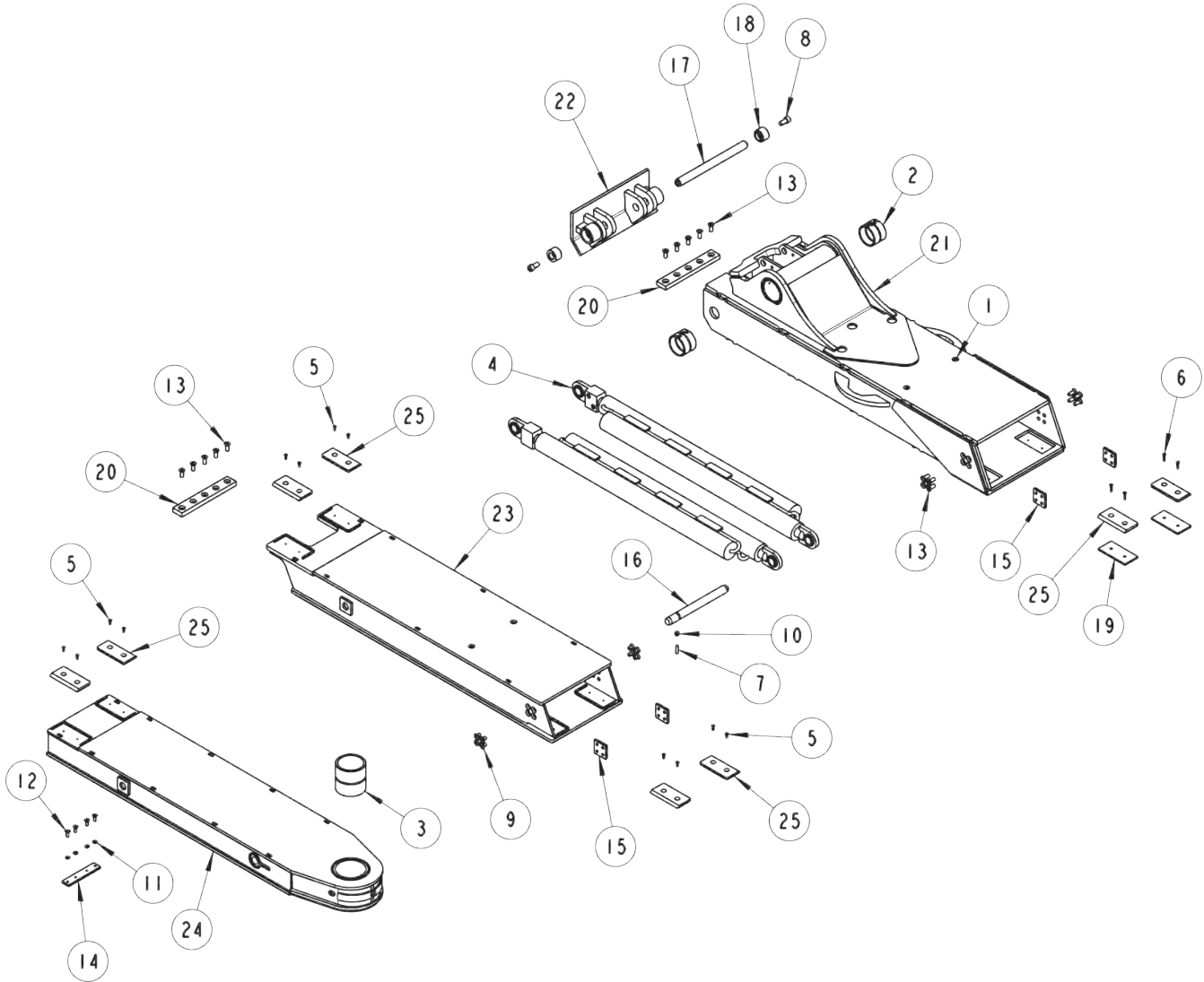
**Section I - PARTS (cont'd)**

**LDU TILT & FOLD HYDRAULICS**

ITEM	PART NUMBER	DESCRIPTION	QTY
1	0301470	ELBOW, 6MJ-8MB90	4
2	0301620	FITTING, ELBOW, 6MJ-6MB90	2
3	0301662	HOSE ASSY - 6FJX-6M1T-6FJX 120" LG	1
4	0301730	DOUBLE HOLDING VALVE	1
5	0301778	CONNECTOR 6MJX10MB	2
6	0301837	INLINE ORIFICE	1
7	0301998	HOSE ASSY - 6FJX-6M2T-6FJX90S 24" LG	2
8	0302510	CONNECTOR, 6MJ-6MBL	2
9	0302511	VALVE, 4 SPOOL VDP12CDDD10	1
10	0302813	HOSE ASSY - 6FJX-6M2T-6FJX 180" LG	1
11	0303017	CONNECTOR 8MBX6FB	3
12	0303389	HOSE ASSY - 6FJX-6M3K-6FJX90S 46"LG	2
13	0306746	CYLINDER, HYD LIFT	1
14	0307042	CONNECTOR, (6MJ-6MBR-3/64)	1
15	0307980	ELBOW, 1/8 NPT X 3/8 TUBE 90	2
16	0310289	CONNECTOR, 8MJ-8MBL	1
17	0310478	CYLINDER - TILT	1
18	0310698	FITTING CONNECTOR 6FJX-6FJX	1

# Section I - PARTS (cont'd)

## LDU LOWRIDER2 ASSEMBLY



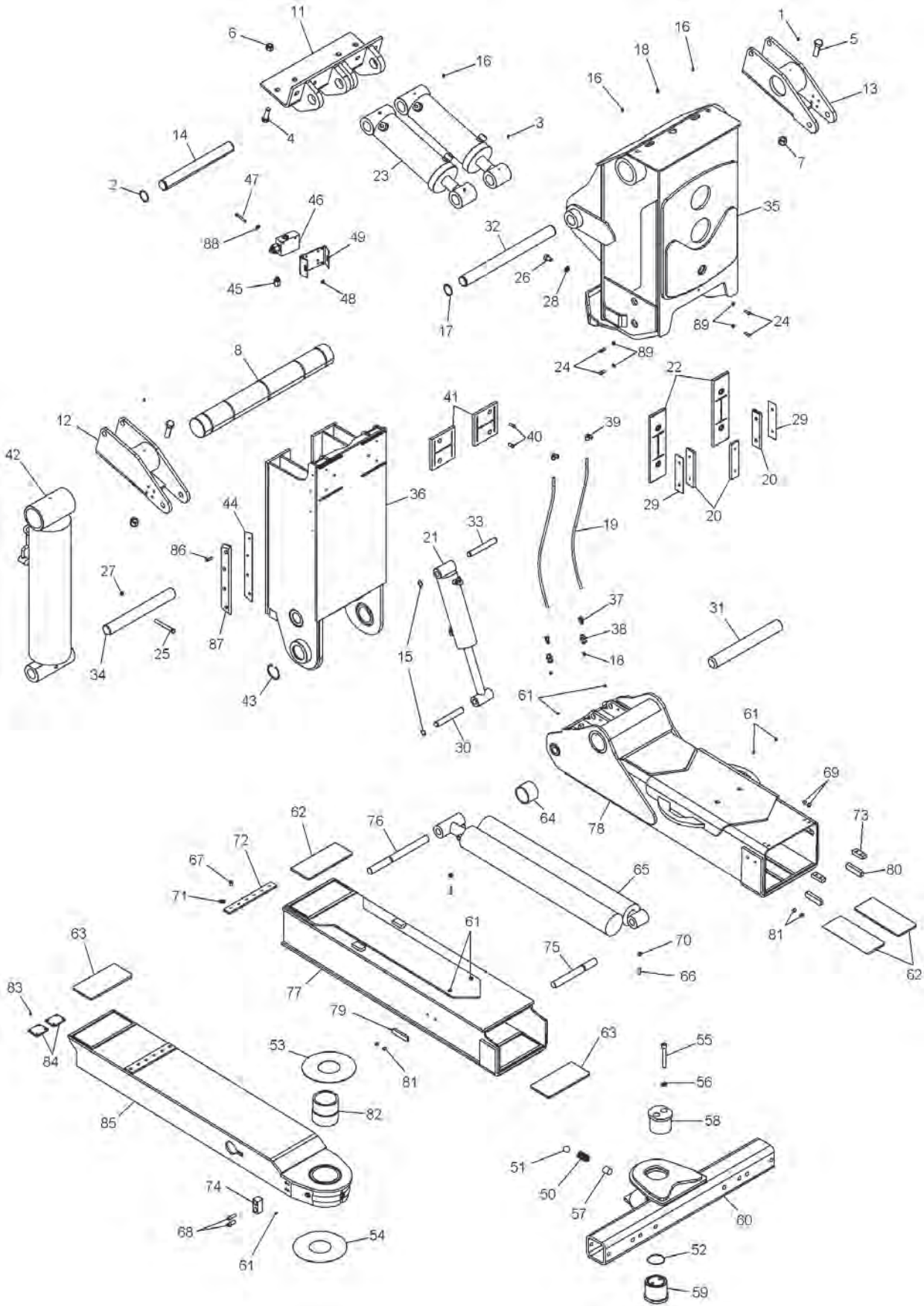
## Section I - PARTS (cont'd)

### LDU LOWRIDER2 ASSEMBLY

ITEM	PART NUMBER	DESCRIPTION	QTY
1	0300113	GREASE FITTING, 1/4-28 STRAIGHT	8
2	0302538	SPRING BUSHING, 3.5OD X 3ID X 2.5	2
3	0303088	BUSHING, PIVOT PIN	1
4	0310629	U/L BOOM EXTEND CYLINDER	2
5	0400079	SCREW -1/4"-20 X 3/4" FL SKT HD	12
6	0400086	SCREW -1/4"-20 X 3/4" FL SKT HD	4
7	0400139	SCREW, 3/8"-16 X 1-1/2" HEX SKT SET	1
8	0400249	5/8-11 X 1-1/4 SOC HD CAP SCREW	2
9	0400344	1/2-13 X 3/4 FLAT HD SOCKET SCREW	8
10	0400392	3/8-16 NYLOCK HEX NUT ZP	1
11	0400483	LOCKWASHER, 3/8" COUNTERSUNK	4
12	0400653	3/8-24 X 1 FLAT HD SOCKET SCREW	4
13	0400749	1/2-13 X 1-1/4 FLAT HD SOCKET SCREW	18
14	0706996	SPACER PAD	1
15	0717869	PLATE - SPACER (BOLT-ON)	4
16	0717871	PIN - CYLINDER ROD	1
17	0717872	PIN - EXTEND CYL BASE	1
18	0717873	PIN - SHEAR	2
19	0718087	PLATE - PAD SACER	2
20	0718096	STOP BLOCK	2
21	0807571	OUTER BOOM WLMT	1
22	0807572	BRACKET - EXTEND CYLINDER	1
23	0807573	2ND STAGE WLMT	1
24	0807574	3RD STAGE WLMT	1
25	930150003	TOP PAD	8

# Section I - PARTS (cont'd)

## SDU4 ASSEMBLY



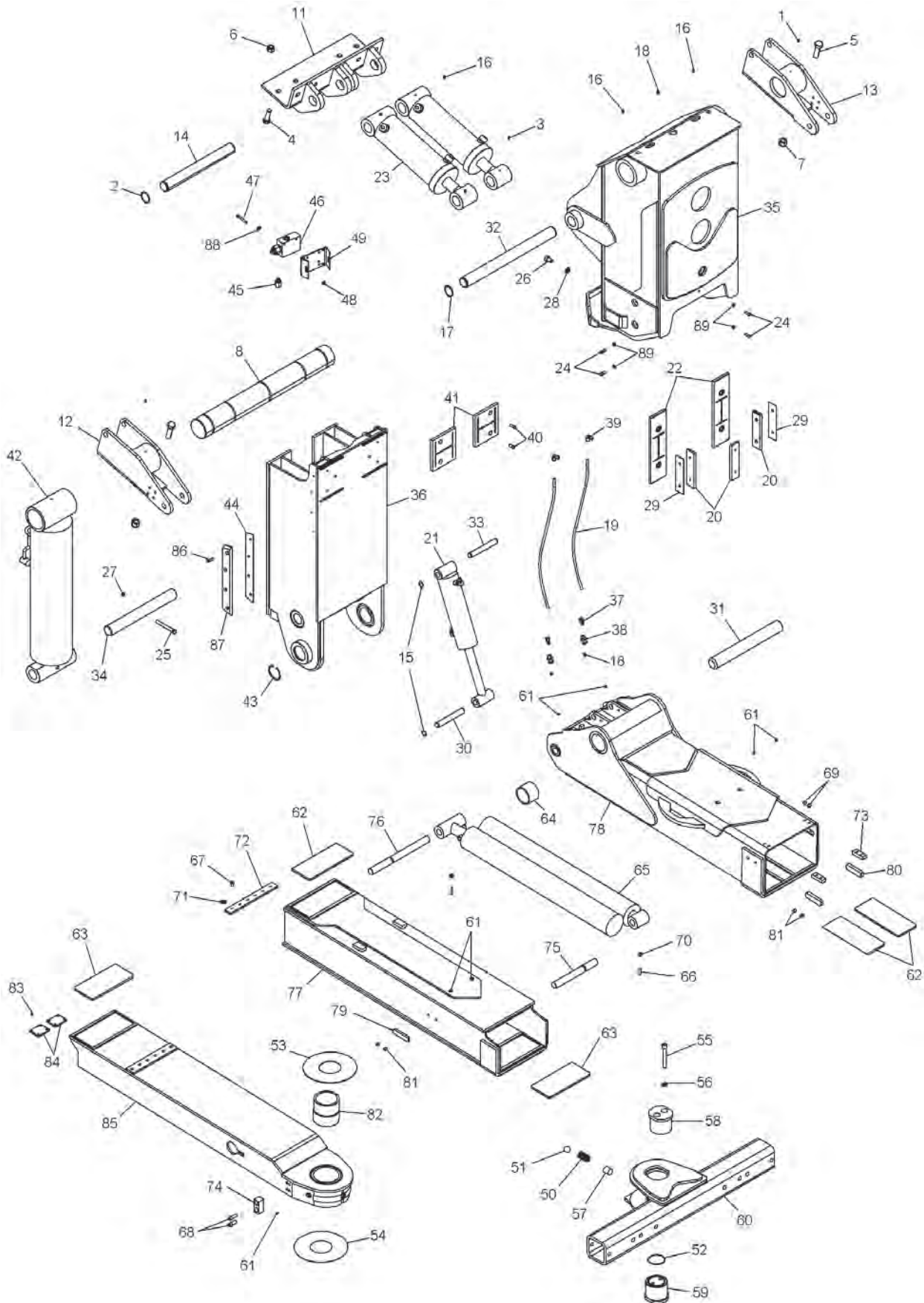
## Section I - PARTS (cont'd)

### SDU4 ASSEMBLY

ITEM	PART NUMBER	DESCRIPTION	QTY
--	0904652	INSTA SDU/2 & SDU/3 FIX & ROT.	--
1	0300113	GREASE FITTING,1/4-28 STRAIGHT	2
2	0300329	SNAP RING, EXTERNAL 2	2
3	0301397	GREASE FITTING,1/4-28 90°	2
4	0400288	3/4-10X2.5HHCS GR 8GOLD	8
5	0400306	7/8-9X3HHCS GR 8 GOLD	8
6	0400430	3/4-10 NYLOK HEXNUT ZP	8
7	0400437	7/8-9 NYLOK HEX GR 8ZP	8
8	0709242	PIN - MAIN PIVOT	1
9	0716546	PLATE - PIVOT MOUNTING SHIM	0
10	0716547	PLATE - PIVOT MOUNTING SHIM	0
11	0804034	TILT CYL MTG BRKT1	
12	0804303	SUPPORT-LEFT PIVOT WLDMT	1
13	0804304	SUPPORT-RIGHT PIVOT WLDMT	1
14	UK0126	PIN-TILT CYL.-BASE END	1
--	0909047	UNDERLIFT/MAST SDU/4 ASSY	--
15	0300110	SNAP RING, 1" 5100-100	2
16	0300113	GREASE FITTING,1/4-28 STRAIGHT	4
17	0300329	SNAP RING, EXTERNAL 2	2
18	0301895	GREASE FITTING,STR 1/8 PTF	9
19	0301949	3/8" OD SYN FLEX HOSE 100'	6 FT
20	0303892	SLIDE PAD-BOOM-SIDE	1
21	0306746	CYL HYD - FOLD	1
22	0307351	SLIDE-PAD SDU/2 U/L	2
23	0307378	CYLINDER-TILT SDU/2	2
24	0400126	3/8-16X1 HHCS GR5 ZP.	4
25	0400219	1/2-13X4.5HHCS GR5 ZP	1
26	0400248	5/8-11X1HHCS GR 8 ZP	4
27	0400408	1/2-13 NYLOK HEX NUT ZP	1
28	0400508	5/8" HELICAL LCKWSHRZP	4
29	0703734	SHIM,SIDE PLATE,OUT.BOOM	6
30	0806756	PIN WELD'T - FOLD CYLINDER	1
31	0714209	PIN - PIVOT	1
32	0714218	PIN - TILT CYLINDER	1
33	0714240	PIN - FOLD CYLINDER	1
34	0717919	PIN, LIFT CYLINDER1	
35	0807204	MAST - SDU/4 OUTER WELDT	1
36	0806658	MAST-SDU/3 INNER WELD'T	1
37	9012549	CONNECTOR-MALE 3/8TUBEX1	2
38	9012552	BULKHEAD ADAPTER 1/8M-1/8F NPT	6
39	9012584	ELBOW-1/4NPT X 3/8TUBE 9	2
40	9044434	3/8-16X1 NC FLAT SOCKET HD CAP	4
41	945030004	UPPER WEAR PAD-RECOVERY	2
42	HC0159	CYLINDER, LIFT	1
43	HD0152	SNAP RING, 3" INTERNAL	2
44	0718912	SHIM, VERTICAL BOOM GUIDE	2
45	0307106	FITT, CONNECTOR 4MB-6FB	1
46	0307107	VALVE, HOLDING 4000 PSI SAE	1
47	0400078	1/4-20X2 HHCS GR5 ZP	4

Section I - PARTS (cont'd)

SDU4 ASSEMBLY (cont'd)





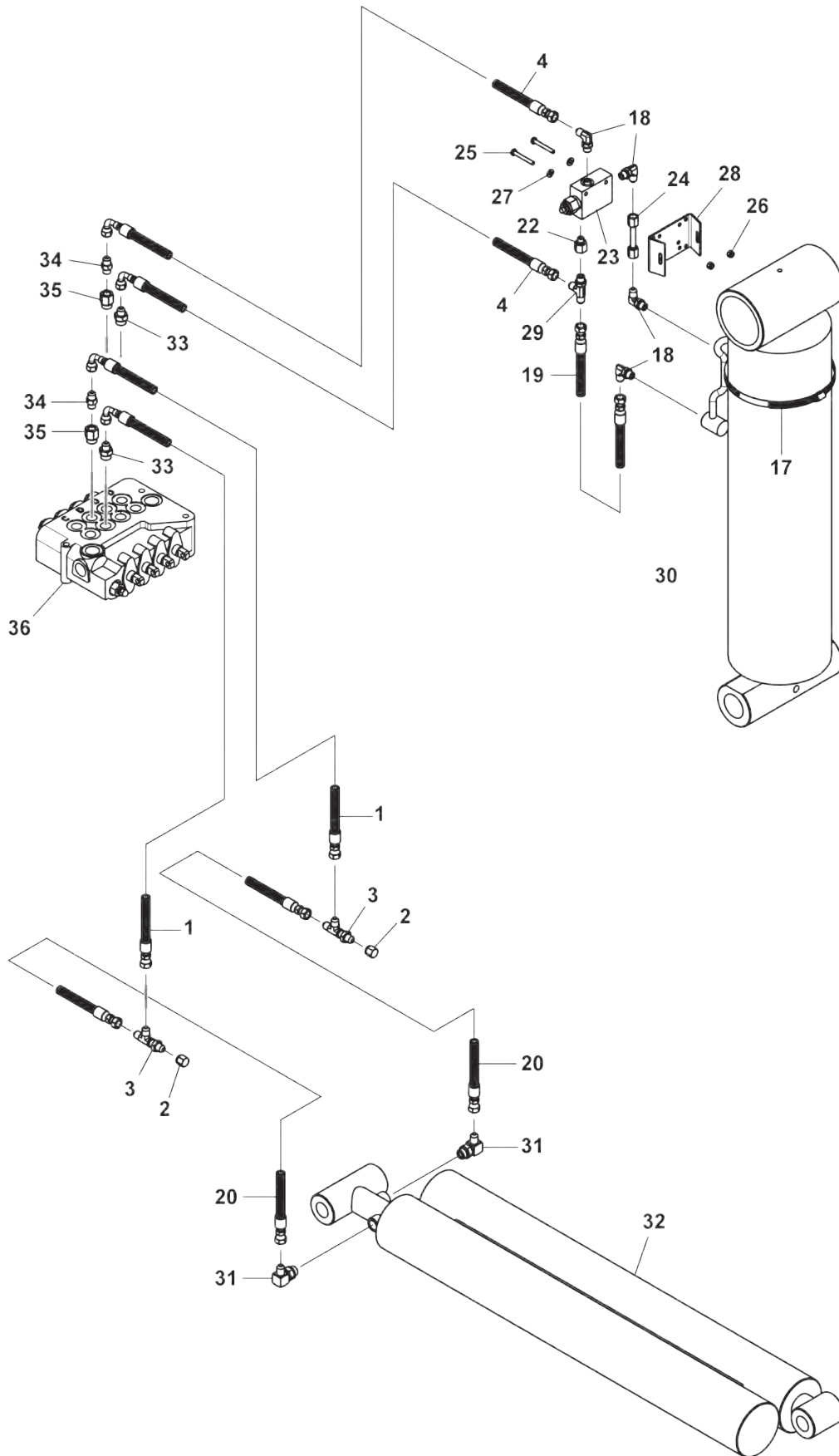
## Section I - PARTS (cont'd)

### SDU4 ASSEMBLY (cont'd)

ITEM	PART NUMBER	DESCRIPTION	QTY
--	0909047	UNDERLIFT/MAST SDU/4 ASSY (cont'd)	--
48	0400367	1/4-20 NYLOK HEX NUT ZP	4
49	0703001	BRKT,MTG,CHECK VALVE	1
--	0903156	CROSSBAR-5" ASSY	--
50	0301197	COMP.SPRING,CROSS BAR,FI	1
51	0301398	STEEL BALL, 1-3/16 DIA	1
52	0301822	O-RING - PIVOT PIN	1
53	0303097	THRUST WASHER - 1/8 THK	1
54	0303098	THRUST WASHER - 1/16 THK	1
55	0400271	5/8-11X4.5SKTHDCAPSCREW	2
56	0400508	5/8" HELICAL LCKWSHRZP	2
57	0708470	SPACER - DETENT BALL SPRG	1
58	0710051	PIN - TOP HALF PIVOT	1
59	0710052	PIN - BOTTOM HALF PIVOT	1
60	0802914	CROSSBAR WELDMENT	1
--	0907810	BOOM-SDU/3 HORTZ ASSY	--
61	0300113	GREASE FITTING,1/4-28 STRAIGHT	8
62	0301817	SLIDE PAD-HORIZ BOOM NYL	3
63	0301818	SLIDE PAD-HORIZ BOOM	2
64	0302538	BUSHING - U/L	2
65	0303501	CYL HYD EXT-3M U/LIFT H/CHROME	1
66	0400139	3/8-16X1.5 HEX SKT SET	2
67	0400151	3/8-24X3/4 HHCS GR5 ZP	6
68	0400196	1/2-13X1.25 SOCKET HD	4
69	0400228	3/8-24X5/8 BUTTON HEAD	4
70	0400392	3/8-16 NYLOK HEX NUT ZINC	2
71	0400481	3/8" EXT.TOOTH LOCKWASHER	6
72	0719515	PLATE, STOP	1
73	0707034	PLATE,STOP	2
74	0710450	BAR - RETRACT	2
75	0718764	SHAFT - EXTEND CYL	1
76	0712195	SHAFT - EXTEND CYLINDER	1
77	0803441	BOOM-2ND STAGE U/L WELDMENT	1
78	0806656	BOOM-OUTER U/L WLDMT	1
79	BK2003	PAD-WEAR	2
80	0307013	PAD - WEAR	2
81	0400990	SET SCRW,1/2-13X1/2 SKT,CUP PT	8
--	0903901	BOOM-U/L INNER ASSY	--
82	0303088	BUSHING - PIVOT PIN	1
83	0400044	10X1/2 DRIVE SCREW RD	8
84	0703277	PAD, SLIDER	2
85	0803442	BOOM-U/L INNER WELDT 3RD STAGE	1
86	9043973	5/16-18X1 1/2 NC FLAT SOCKET HD CAP	4
87	805040011	VERTICAL BOOM GUIDE PAD	2
88	0400451	WASHER, 1/4" FLAT ZP	4
89	0400482	LOCKWASHER, 3/8" HELICAL ZP	6

# Section I - PARTS (cont'd)

## SDU4 LIFT & EXTEND HYDRAULICS



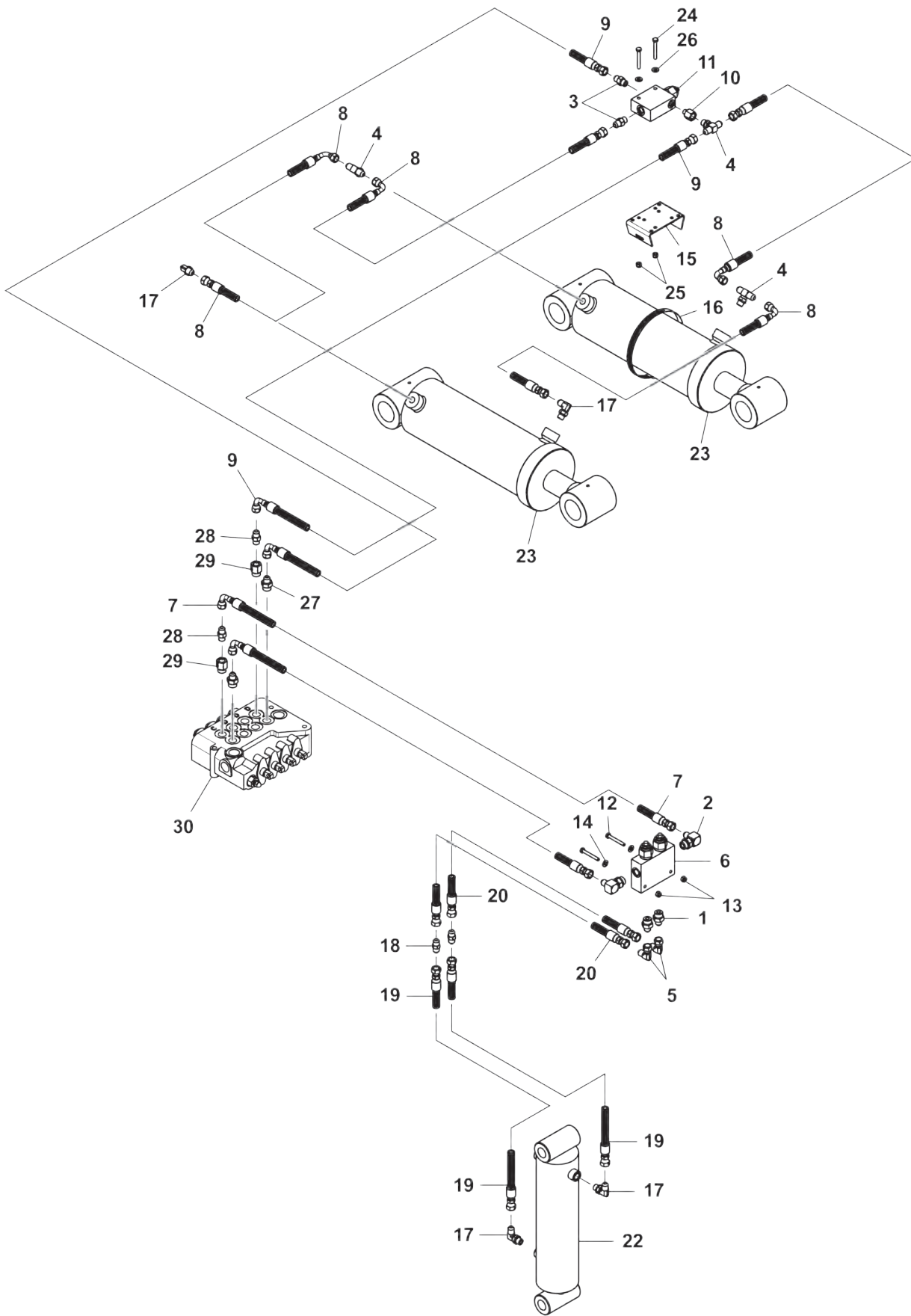
## Section I - PARTS (cont'd)

### SDU4 LIFT & EXTEND HYDRAULICS

ITEM	PART NUMBER	DESCRIPTION	QTY
--	0904652	INSTALLATION, SDU/4 FIXED & ROTATOR	--
1	0301998	HOSE ASSEMBLY, 24"	2
2	0302065	CAP ADAPTER	2
3	0302575	BULKHEAD RUN TEE	2
4	0303170	HOSE ASSEMBLY, 75"	2
--	0904785	HOSE TENSION KIT (NOT SHOWN)	--
5	0400082	EYE BOLT, 1/4"-20 X 1-1/8	4
6	0400191	SCREW, 1/2"-13 X 3-3/4" HEX HD CAP GR5 ZP	6
7	0400366	NUT, 1/4"-20 HEX ZP	2
8	0400367	NUT, 1/4"-20 NYLOK HEX ZP	4
9	0400408	NUT, 1/2"-20 NYLOK PLATED	6
10	0400451	WASHER, 1/4" FLAT ZP	2
11	0700188	BRACKET, BULKHEAD	2
12	0703484	PULLEY, HOSE TENSIONER	4
13	0703487	BRACKET, HOSE TENSIONER PULLEY	2
14	0703488	WASHER, HOSE TENSIONER PULLEY	8
15	0714388	ANGLE, NYLON SHEAVE	4
16	AWS-1011-A	SPRING CLAW	2
--	0909047	UNDERLIFT ASSEMBLY, SDU/4	--
17	0300644	HOSE CLAMP, 8"	1
18	0301620	ELBOW, 6MJ-6MB90	4
19	0302000	HOSE ASSEMBLY, 24"	1
20	0303187	HOSE ASSEMBLY, 141"	2
21	0303193	BLACK SKUFF JACKET SJ16 (NOT SHOWN)	45 FT
22	0307106	CONNECTOR, 4MB-6FB	1
23	0307107	HOLDING VALVE, 4000 PSI SAE	1
24	0307417	TUBE ASSY, 3/8" OD X .035" W X 3"	1
25	0400078	SCREW, 1/4"-20 X 2" HEX HD CAP GR5 ZP	2
26	0400367	NUT, 1/4"-20 NYLOK HEX ZP	4
27	0400451	WASHER, 1/4" FLAT ZP	2
28	0703001	MOUNTING BRACKET, CHECK VALVE	1
29	9012594	RUN TEE, 6MJ-6MB-6MJ	1
30	HC0159	UNDERLIFT LIFT CYLINDER	1
--	0907810	HORIZONTAL BOOM ASSEMBLY, SDU/4	--
31	0301470	ELBOW, 6MJ-8MB90	2
32	0303501	UNDERLIFT EXTEND CYLINDER	1
--	0908137	PROPORTIONAL CONTROL VALVE KIT	--
33	0300044	CONNECTOR, 6MJ-8MB	2
34	0301522	CONNECTOR, 6MJ-6MB	2
35	0303017	CONNECTOR, 8MB-6FB	2
36	0302511	VALVE, CONTROL	1

# Section I - PARTS (cont'd)

## SDU4 TILT & FOLD HYDRAULICS



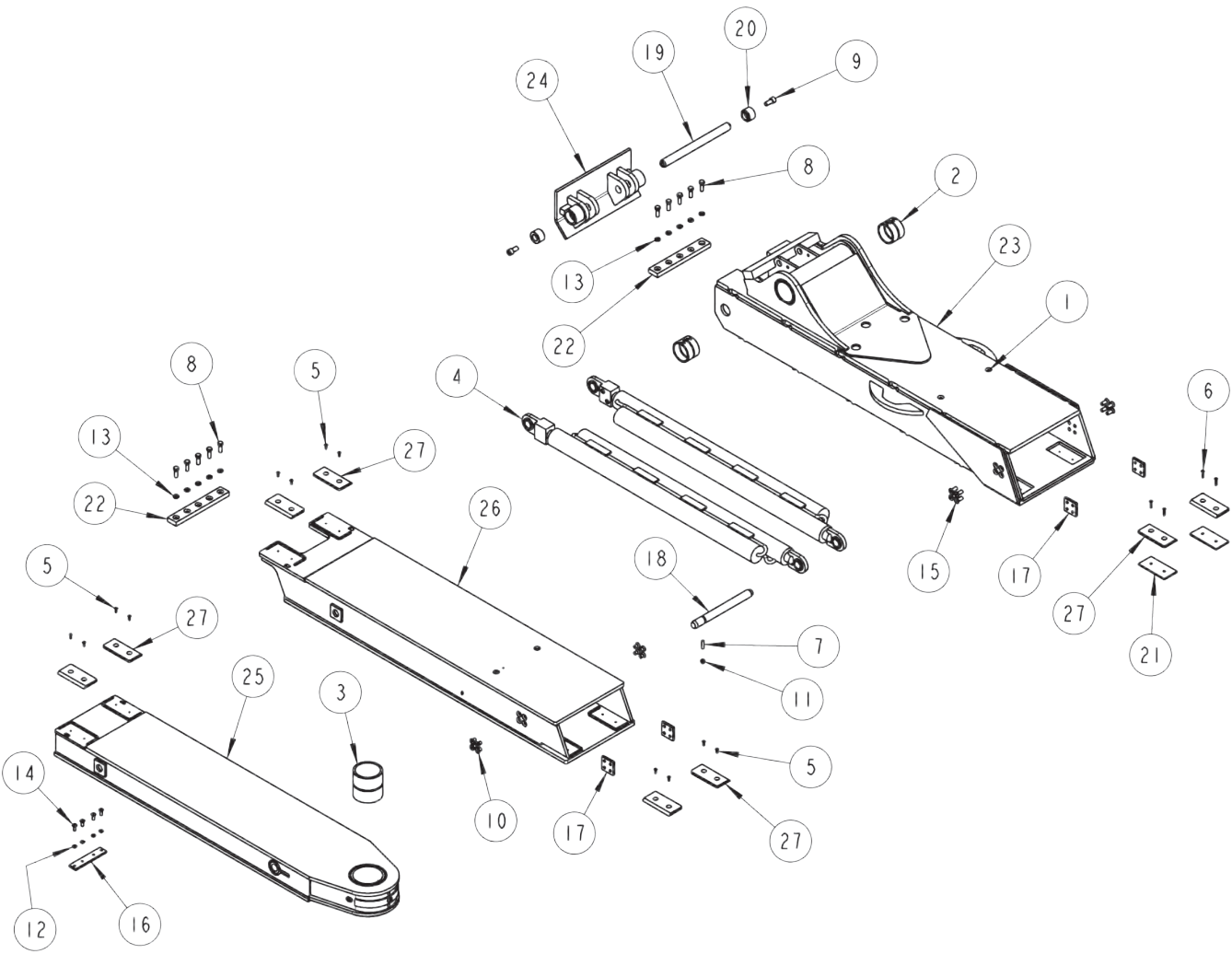
## Section I - PARTS (cont'd)

### SDU4 TILT & FOLD HYDRAULICS

ITEM	PART NUMBER	DESCRIPTION	QTY
--	0904652	INSTALLATION SDU/4 FIXED & ROTATOR	--
1	0300044	CONNECTOR, 6MJ-8MB	2
2	0301470	ELBOW, 6MJ-8MB90	2
3	0301522	CONNECTOR, 6MJ-6MB	2
4	0301619	BRANCH TEE, 6MJ-6MJ-6MB	3
5	0301696	ELBOW, 6MJ-6FJX90	2
6	0301730	VALVE, DOUBLE HOLDING	1
7	0301998	HOSE ASSEMBLY, 24"	2
8	0302808	HOSE ASSEMBLY, 18"	4
9	0303389	HOSE ASSEMBLY, 46"	2
10	0307106	CONNECTOR, 4MB-6FB	1
11	0307107	VALVE, HOLDING 4000 PSI SAE	1
12	0400078	SCREW, 1/4"-20 X 2" HEX HD CAP GR5 ZP	2
13	0400367	NUT, 1/4"-20 NYLOK HEX ZP	4
14	0400451	WASHER, 1/4" FLAT ZP	2
15	0703001	MOUNTING BRACKET, CHECK VALVE	1
--	0909047	UNDERLIFT SDU/4 ASSEMBLY	--
16	0300365	HOSE CLAMP, 7"	1
17	0301620	ELBOW, 6MJ-6MB90	4
18	0301837	INLINE ORIFICE	2
19	0301997	HOSE ASSEMBLY, 18"	2
20	0302813	HOSE ASSEMBLY, 108"	2
21	0303193	BLACK SCUFF JACKET SJ16 (NOT SHOWN)	45 FT
22	0306746	UNDERLIFT FOLD CYLINDER	1
23	0307378	UNDERLIFT TILT CYLINDER	2
24	0400078	SCREW, 1/4"-20 X 2" HEX HD CAP GR5 ZP	2
25	0400367	NUT, 1/4"-20 NYLOK HEX ZP	4
26	0400451	WASHER, 1/4" FLAT ZP	2
--	--	CONTROL VALVE KIT	--
27	0300044	CONNECTOR, 6MJ-8MB	2
28	0301522	CONNECTOR, 6MJ-6MB	2
29	0303017	CONNECTOR, 8MB-6FB	2
30	--	VALVE, CONTROL	1

# Section I - PARTS (cont'd)

## SDU4 LOWRIDER ASSEMBLY



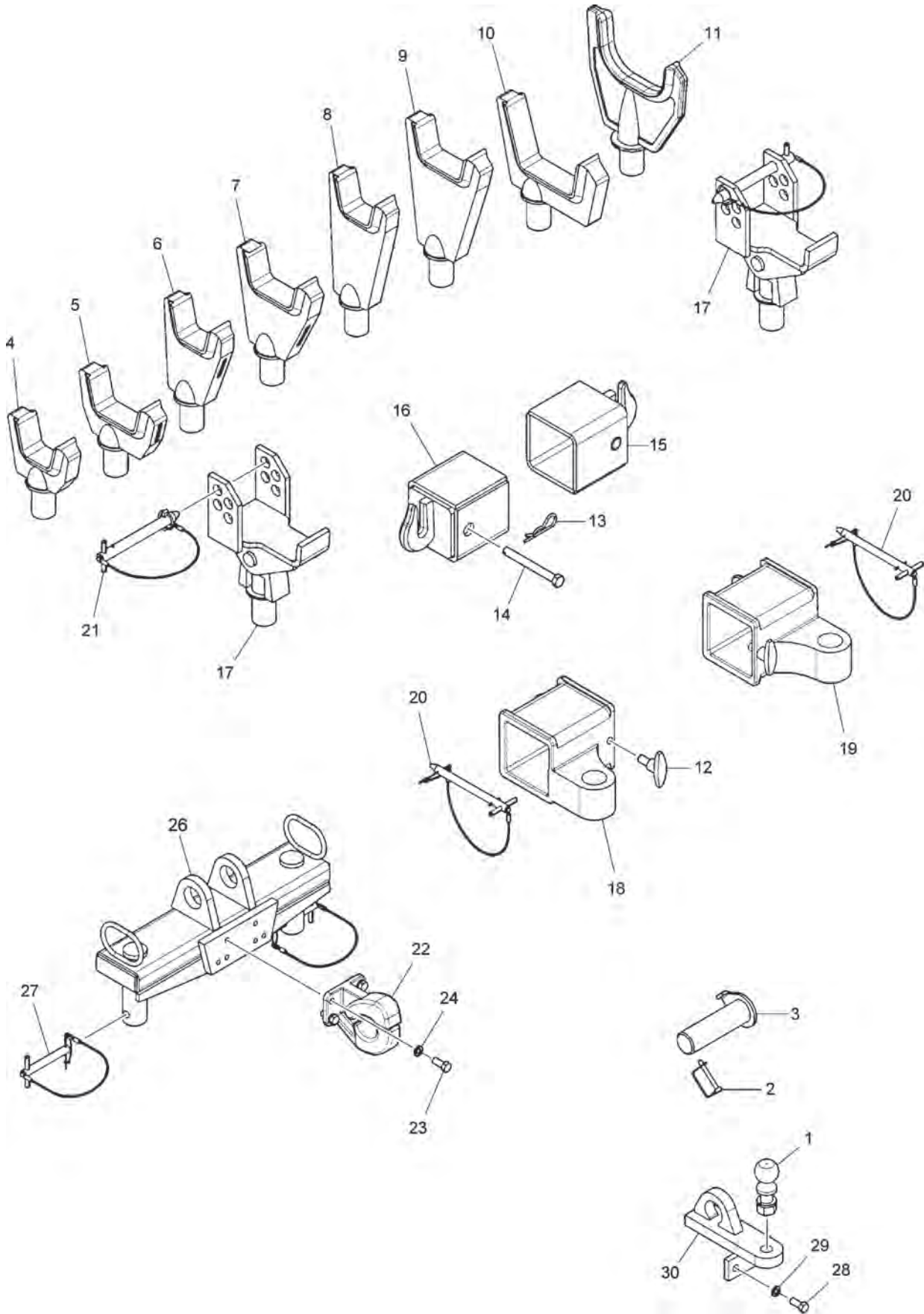
## Section I - PARTS (cont'd)

### SDU4 LOWRIDER ASSEMBLY

ITEM	PART NUMBER	DESCRIPTION	QTY
1	0300113	GREASE FITTING, 1/4-28 STRAIGHT	8
2	0302538	SPRING BUSHING, 3.5OD X 3ID X 2.5	2
3	0303088	BUSHING, PIVOT PIN	1
4	0307425	U/L BOOM EXTEND CYLINDER	2
5	0400079	SCREW - 1/4"-20 X 3/4" FL SKT HD	12
6	0400086	SCREW - 1/4"-20 X 3/4" FL SKT HD	4
7	0400139	SCREW, 3/8"-16 X 1-1/2" HEX SKT SET	1
8	0400181	1/2-13 X 1-1/2 HHCS GR 5 ZP	10
9	0400249	5/8-11 X 1-1/4 SOC HD CAP SCREW	2
10	0400344	1/2-13 X 3/4 FLAT HD SOCKET SCREW	8
11	0400392	3/8-16 NYLOCK HEX NUT ZP	1
12	0400483	LOCKWASHER, 3/8" COUNTERSUNK	4
13	0400491	1/2 HELICAL LOCK WASHER ZP	10
14	0400653	3/8-24 X 1 FLAT HD SOCKET SCREW	4
15	0400749	1/2-13 X 1-1/4 FLAT HD SOCKET SCREW	8
16	0706996	SPACER PAD	1
17	0717869	PLATE - SPACER (BOLT-ON)	4
18	0717871	PIN - CYLINDER ROD	1
19	0717872	PIN - EXTEND CYL BASE	1
20	0717873	PIN - SHEAR	2
21	0718087	PLATE - PAD SACER	2
22	0718096	STOP BLOCK	2
23	0806810	OUTER BOOM WLMT	1
24	0806812	BRACKET - EXTEND CYLINDER	1
25	0806813	3RD STAGE BOOM WLMT	1
26	0806814	2ND STAGE BOOM WLMT	1
27	930150003	TOP PAD	8

# Section I - PARTS (cont'd)

## LIFT ADAPTERS



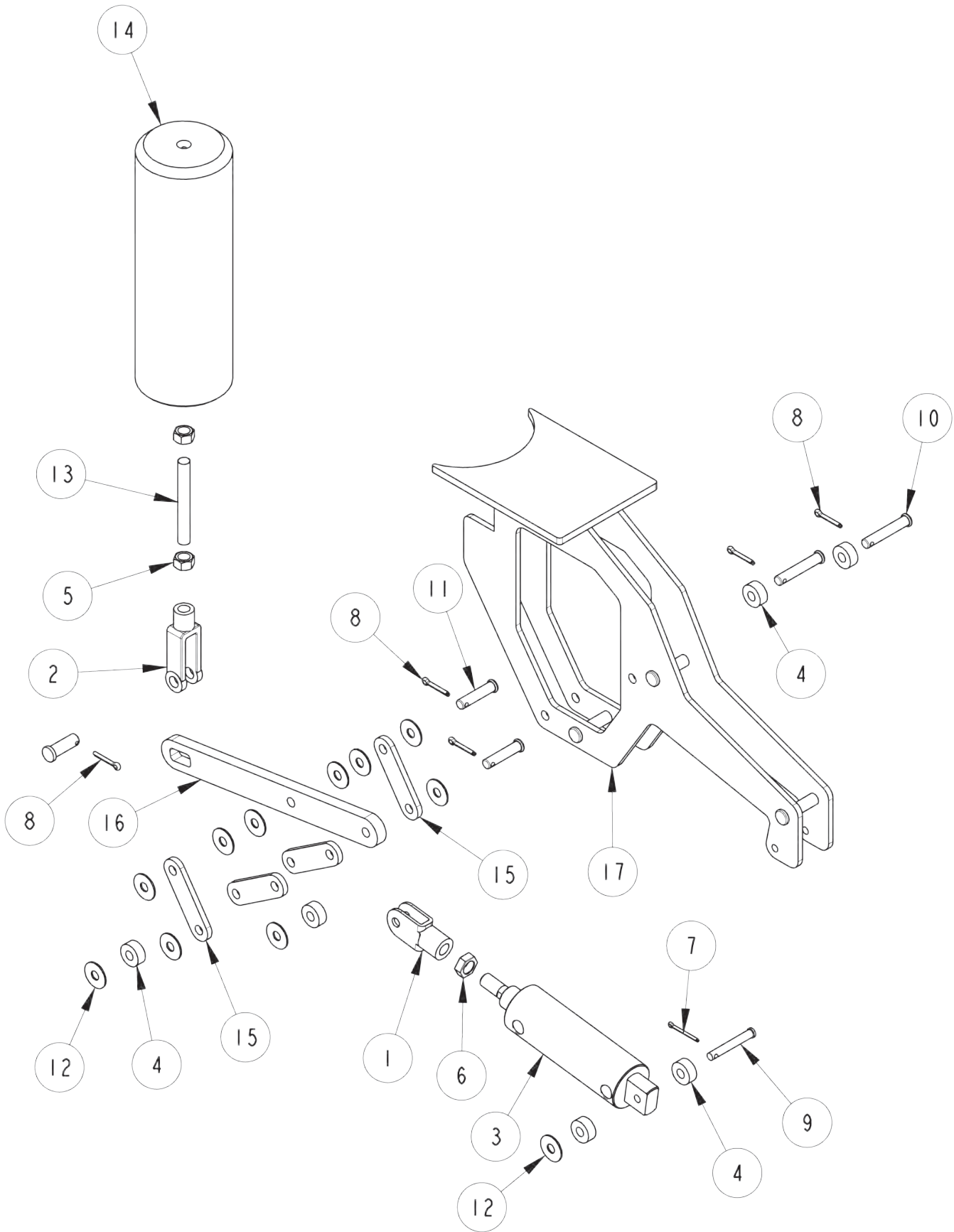


## Section I - PARTS (cont'd)

### LIFT ADAPTERS

ITEM	PART NUMBER	DESCRIPTION	QTY
1	0300091	TRAILER BALL, 2"	1
2	HD1259	SAFETY SNAP PIN	1
3	VA0662	PIVOT PIN WELDMENT	1
--	0906613	STANDARD FORK KIT, SDU	--
4	0200018	FORK, SHORT 3" OPENING	2
5	0200019	FORK, SHORT 4-1/2" OPENING	2
6	0200020	FORK, MEDIUM 3" OPENING	2
7	0200021	FORK, MEDIUM 4-1/2" OPENING	2
8	0200022	FORK, LONG 3" OPENING	2
9	0200023	FORK, LONG 4-1/2" OPENING	2
10	0200024	FORK, OFFSET REAR AXLE	2
11	0200042	FORK, MEDIUM ROUND AXLE	2
12	0306564	ALUM T HANDLE, 5/8 X 1-1/4	2
13	0400585	COTTER PIN, 1-1/4" HAIR PIN	2
14	0711002	BOLT, MODIFIED	2
15	0801186	HDU CHAIN ADAPTER, RT	1
16	0801187	HDU CHAIN ADAPTER, LT	1
17	0802810	PIVOT SPRING LIFT BRACKET	2
18	0803591	FORK ADAPTER, LEFT	1
19	0803592	FORK ADAPTER, RIGHT	1
20	0900900	RETAINER PIN ASSEMBLY	2
21	0902321	RETAINER PIN, SPRING LIFT	2
--	--	124002211 PINTLE HOOK KIT	--
22	0302198	PINTLE HOOK	1
23	0400177	SCREW, 1/2"-13 X 1-1/4" HEX HD CAP GR5 ZP	4
24	0400491	LOCKWASHER, 1/2" HELICAL ZP	4
25	0500241	DECAL, SAFETY CHAIN WARNING (Not Shown)	1
26	0803831	5TH WHEEL & KING PIN ADAPTER	1
27	0902378	RETAINER PIN ASSEMBLY	2
--	--	124002431 TRAILER BALL KIT	--
28	0400177	SCREW, 1/2"-13 X 1-1/4" HEX HD CAP GR5 ZP	2
29	0400491	LOCKWASHER, 1/2" HELICAL ZP	2
30	0804396	TRAILER BALL BRACKET WELDMENT	1

**Section I - PARTS (cont'd)**  
**ROTATOR PINLOCK ASSEMBLY**



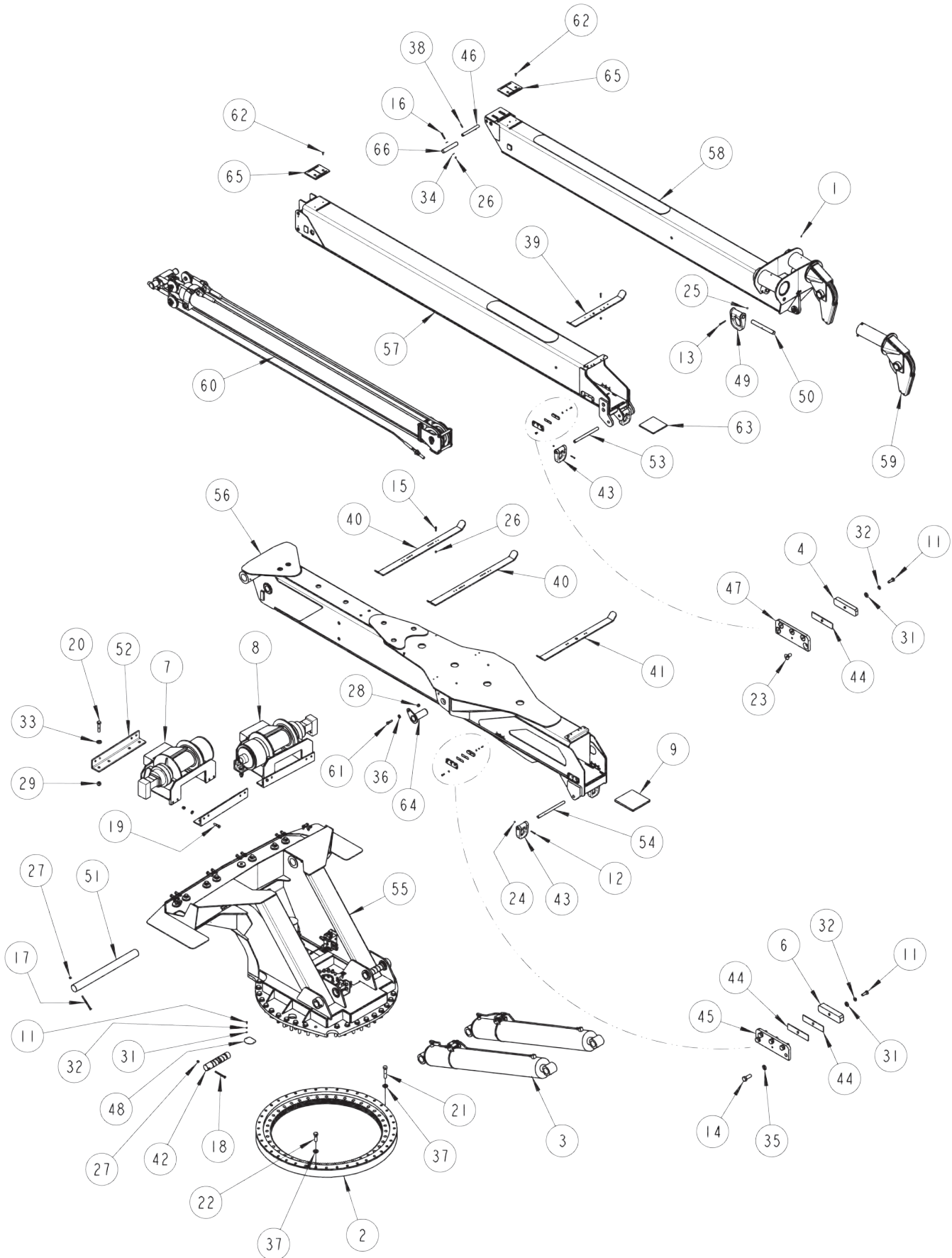
## Section I - PARTS (cont'd)

### ROTATOR PINLOCK ASSEMBLY

ITEM	PART NUMBER	DESCRIPTION	QTY
1	0200052	CLEVIS LINK	1
2	0302231	ADJ CLEVIS, 3/8"	1
3	0306698	AIR CYLINDER	1
4	0307612	NYLON SPACER, 5/16" THK X 5/16" ID	6
5	0400388	HEX NUT, 3/8"-24	2
6	0400401	7/16-20 HEX JAM NUT ZP	1
7	0400540	COTTER PIN, 3/32" X 1"	1
8	0400543	COTTER PIN, 1/8" X 3/4"	5
9	0400663	CLEVIS PIN - 1/4 X 1-3/4 ZP	1
10	0400664	CLEVIS PIN - 5/16 X 1-3/4 ZP	2
11	0400666	CLEVIS PIN - 5/16 X 1-3/8 ZP	2
12	0402117	5/16 FLATWASHER 316SS	11
13	0705698	ALLTHREAD, CONNECTOR	1
14	0709331	RETAINING PIN, HOUSE LOCK	1
15	0718297	BAR LINK - PIN LOCK	4
16	0718298	BAR LEVER - PIN LOCK	1
17	0807396	PIN LOCK WELDMENT	1

# Section I - PARTS (cont'd)

## 1140 3-STAGE RECOVERY BOOM ASSEMBLY



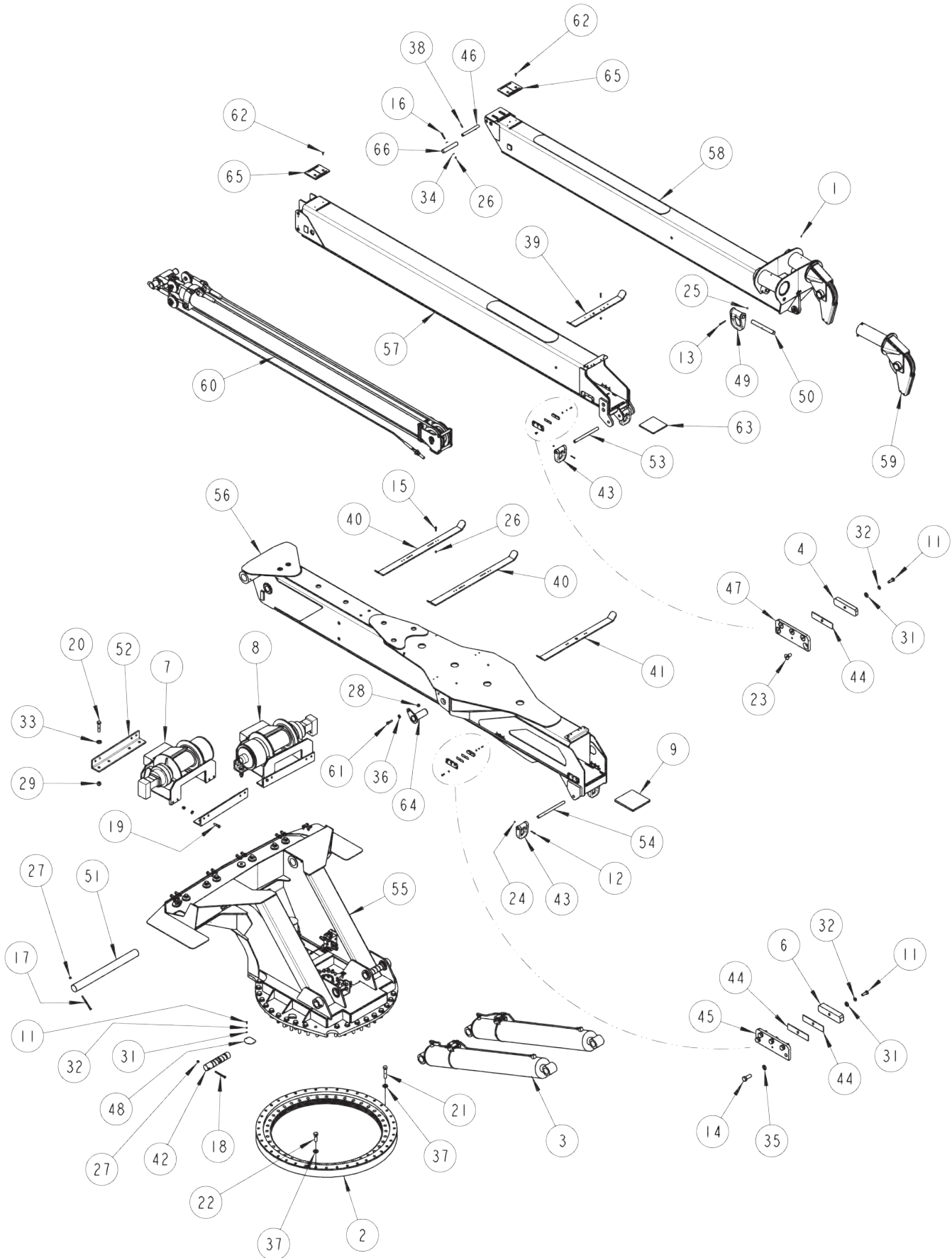
## Section I - PARTS (cont'd)

### 1140 3-STAGE RECOVERY BOOM ASSEMBLY

ITEM	PART NUMBER	DESCRIPTION	QTY
1	0300113	GREASE FITTING, 1/4-28 STRAIGHT	18
2	0302220	SLEW RING, 1060S	1
3	0302792	HYD CYLINDER	2
4	0303490	WEAR PAD (1/2 X 1 X 4)	2
5	0305023	SNAP RING 5100-0225PP	2
6	0306825	PAD - WEAR	4
7	0307061-LH	DP 35K OVERWIND WINCH - LH	1
8	0307061-RH	DP 35K OVERWIND WINCH - RH	1
9	0307406	SLIDE PAD	1
10	0310381	ALARM SWING W/ STAR NUTS	1
11	0400066	1/4-20 X 3/4 HHCS GR.5,ZP	12
12	0400078	1/4-20 X 2 HHCS GR5 ZP	6
13	0400114	5/16-18 X 3 HHCS GR 5 ZP	2
14	0400126	3/8-16 X 1 HHCS GR.5,ZP	20
15	0400132	3/8-16 X 1 1/2 HHCS GR.5,ZP	8
16	0400146	3/8-16 X 2-1/4 HHCS GR.5 ZP	1
17	0400180	1/2-16 X 6 HHCSGR5 ZP	1
18	0400206	1/2-13 X 5 HHCS GR.5, ZP	2
19	0400262	5/8-11 X 2 1/2 HHCS GR.8,ZP	16
20	0400307	7/8-9 X 4 HHCS GR.8 GOLD	16
21	0400333	1-8 X 4-1/2 HHCS GR8 ZP	40
22	0400336	1-8 X 3 HHCS GR8 ZP	38
23	0400349	SCREW, 3/8"-16 X 3/4" FL HD SKT	14
24	0400367	1/4-20 NYLOCK HEX NUT ZP	8
25	0400382	5/16-18 NYLOCK HEX NUT ZP	2
26	0400392	3/8-16 NYLOCK HEX NUT ZP	9
27	0400408	1/2-13 NYLOCK HEX NUT ZP	3
28	0400426	5/8-11 NYLOCK NUT GR.8 ZP	18
29	0400437	7/8-9 NYLOCK HEX NUT GR.8 ZP	16
30	0400448	1-1/4-12 HEX JAM NUT	2
31	0400451	1/4 FLAT WASHER ZP	16
32	0400452	1/4 HELICAL LOCK WASHER ZP	12
33	0400473	7/8 FLATWASHER HARDENED	18

# Section I - PARTS (cont'd)

## 1140 3-STAGE RECOVERY BOOM ASSEMBLY (cont'd)



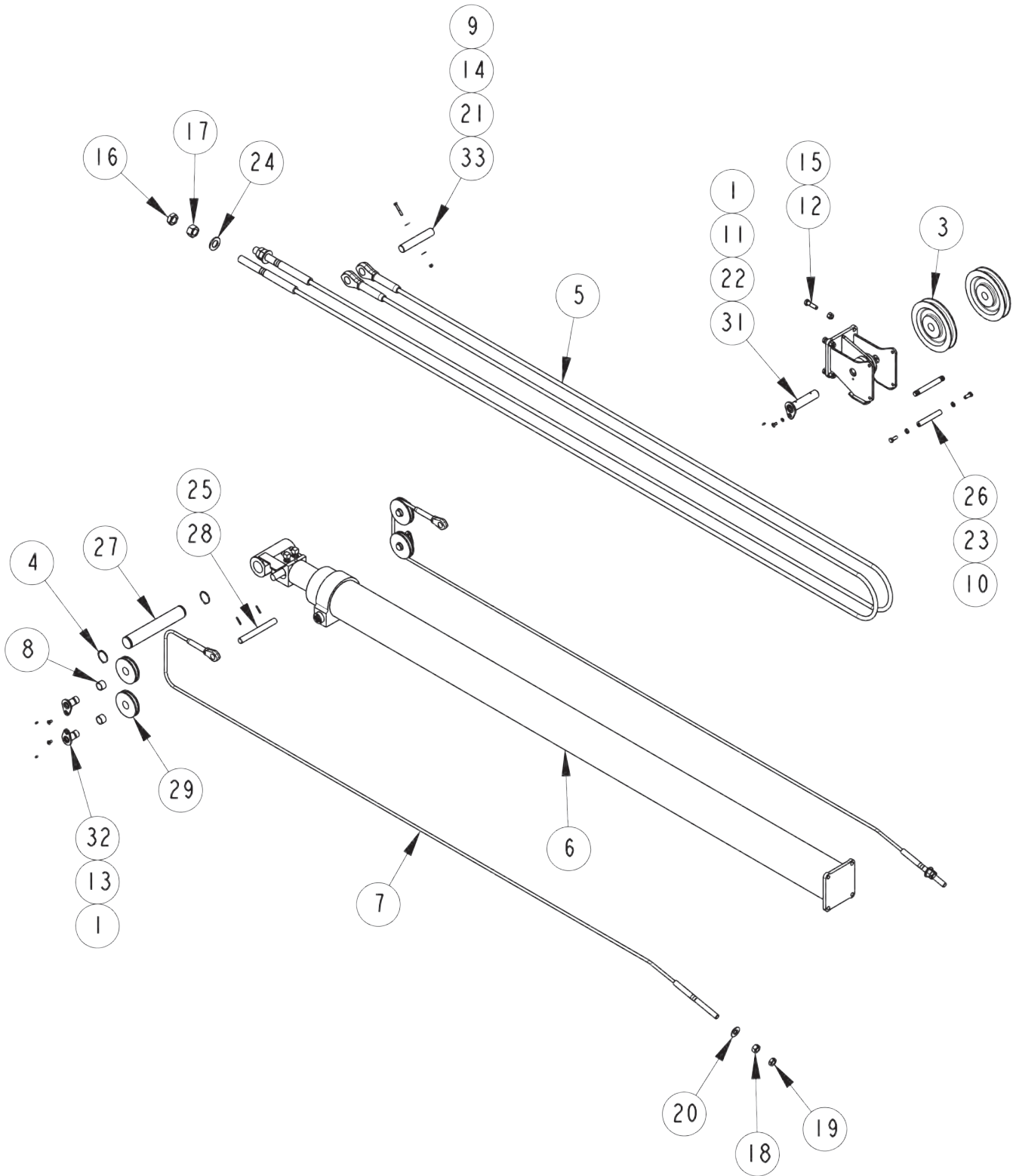
**Section I - PARTS (cont'd)**

**1140 3-STAGE RECOVERY BOOM ASSEMBLY (cont'd)**

ITEM	PART NUMBER	DESCRIPTION	QTY
34	0400480	3/8 FLAT WASHER ZP	2
35	0400482	3/8 HELICAL LOCK WASHER ZP	20
36	0400503	5/8 FLAT WASHER GR.8	18
37	0400522	1 1/16 X 2 X 1/8 HARDENED FLAT WASHER ZP	78
38	0400587	1/4 X 1-1/2 ROLL PIN ZP	2
39	0705104	PLATE - SUPPORT	1
40	0706042	CABLE WING, LONG 1040 & 1040B	2
41	0706043	CABLE WING - MED	1
42	0708094	PIN - LIFT CYLINDER	2
43	0712380	"D" RING	4
44	0717262	SHIM - SLIDE PAD	10
45	0717746	PLATE - SLIDE PAD SUPPORT	4
46	0717747	PIN - CABLE RETRACT	1
47	0718134	PLATE - SLIDE PAD SUPPORT	2
48	0719162	PLATE, ACCESS COVER	2
49	0719585	"D" RING - TOWING	2
50	0722067	PIN "D" RING	2
51	0722103	PIN BOOM PIVOT	1
52	0722104	ANGLE WINCH MOUNTING	4
53	0722817	PIN, 'D' RING	1
54	0722820	PIN, 'D' RING	1
55	0807401	WRECKER FRAME WELDMENT	1
56	0807402	OUTER BOOM WELDMENT	1
57	0807403	MID STAGE BOOM WELDMENT	1
58	0807404	INNER BOOM TUBE WLMT	1
59	0906535	SWIVEL ASSEMBLY	2
60	0908119	EXTENSION SYSTEM	1
61	9044409	5/8-11 X 2-1/4 HHCS GR8 ZP	2
62	9044434	3/8-16X1 NC FLAT	4
63	916040004	WEAR PAD ~ LOWER	1
64	945351500	PIN WELD'T - LOWER LIFT CYL	2
65	946030004	UPPER WEAR PAD - RECOVERY	2
66	GA0215	PIN, D RING	1

# Section I - PARTS (cont'd)

## 1140 3-STAGE EXTENSION SYSTEM ASSEMBLY





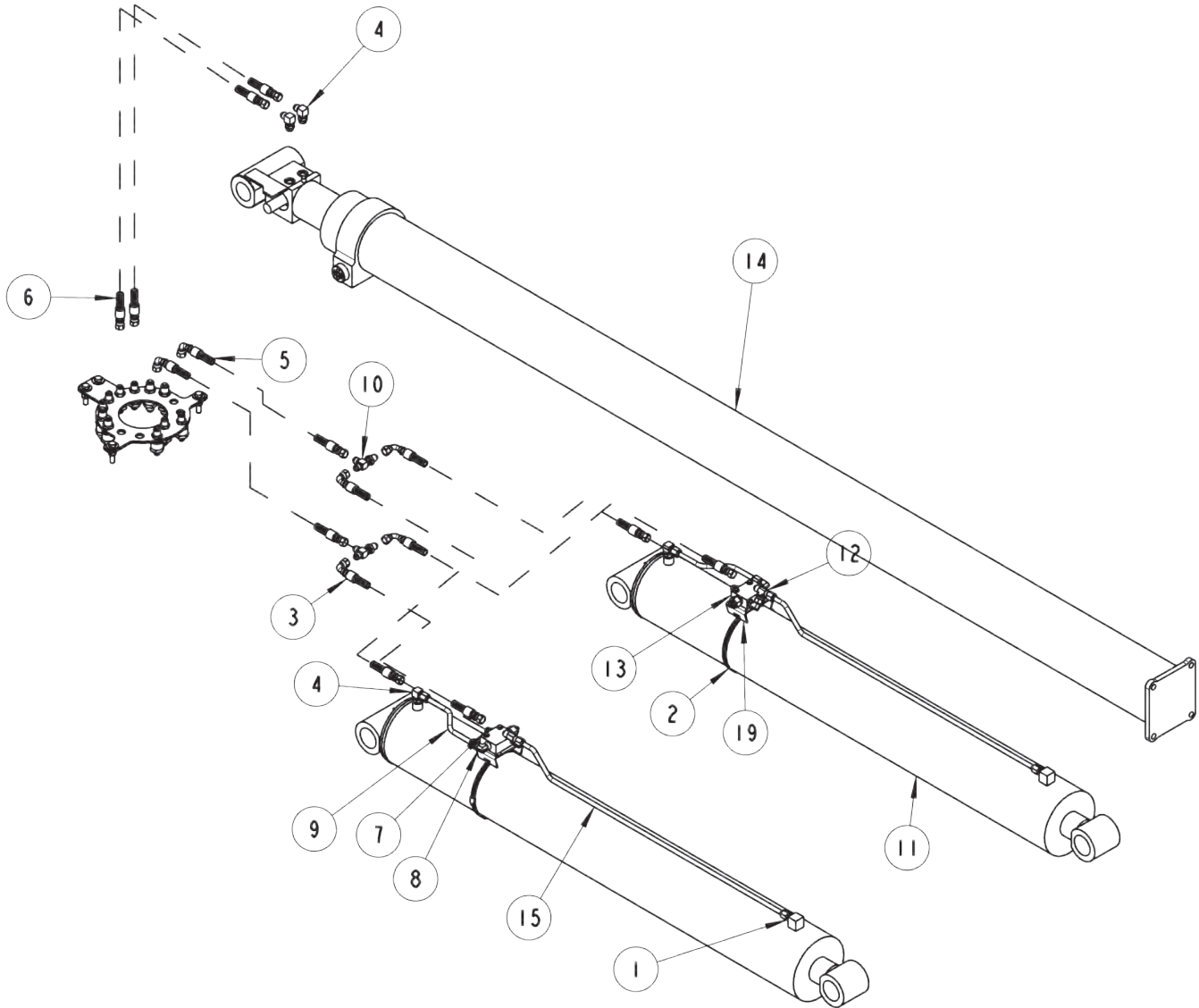
## Section I - PARTS (cont'd)

### 1140 3-STAGE EXTENSION SYSTEM ASSEMBLY

ITEM	PART NUMBER	DESCRIPTION	QTY
1	0300113	GREASE FITTING, 1/4-28 STRAIGHT	6
2	0301388	ELBOW, 8MJ-8MB90	2
3	0303441	SHEAVE, 10"	2
4	0305023	SNAP RING 5100-0225PP	2
5	0307160	CABLE - EXT ASSY 3-STAGE BOOM	2
6	0307402	CYLINDER - BOOM EXTEND	1
7	0307403	CABLE - ASSY (RETRACT) 3-STAGE	2
8	0307432	BUSHING - BRONZE	4
9	0400146	3/8-16 X 2-1/4 HHCS GR.5 ZP	1
10	0400177	1/2-13 X 1 1/4 HHCS GR. 5, ZP	4
11	0400223	3/8-16 X 3/4 FL. HD. SOCKET SCREW	1
12	0400264	5/8-11 X 2-1/4 HHCS GR5 ZP	4
13	0400349	SCREW, 3/8"-16 X 3/4" FL HD SKT	4
14	0400392	3/8-16 NYLOCK HEX NUT ZP	1
15	0400421	5/8-11 NYLOCK HEX NUT ZP	4
16	0400448	1-1/4-12 HEX JAM NUT	2
17	0400461	1-1/4-12 NEX NUT GR8 ZP	2
18	0400471	7/8-14 UNF HEX NUT	2
19	0400472	7/8-14 UNF HEX NUT JAM	2
20	0400473	7/8 FLATWASHER HARDENED	2
21	0400480	3/8 FLAT WASHER ZP	2
22	0400483	LOCKWASHER, 3/8" COUNTERSUNK	1
23	0400491	1/2 HELICAL LOCK WASHER ZP	4
24	0400501	WASH - SAE 1 1/4 HARDENED PL	2
25	0400587	1/4 X 1-1/2 ROLL PIN ZP	2
26	0717743	ROD - EXTEND SHEAVE SPACER	2
27	0717744	PIN - EXTEND CYLINDER	1
28	0717747	PIN - CABLE RETRACT	1
29	0717909	SHEAVE - 5 " DIA RETRACT	4
30	0806721	EXTEND SHEAVE BRACKET WELDMENT	1
31	0806722	SHAFT EXTENSION SHEAVE WELDMENT	1
32	0806752	SHAFT - RETRACT SHEAVE WELDMENT	4
33	GA0215	PIN, D RING	1

Section I - PARTS (cont'd)

1140 3-STAGE RECOVERY BOOM HYDRAULICS



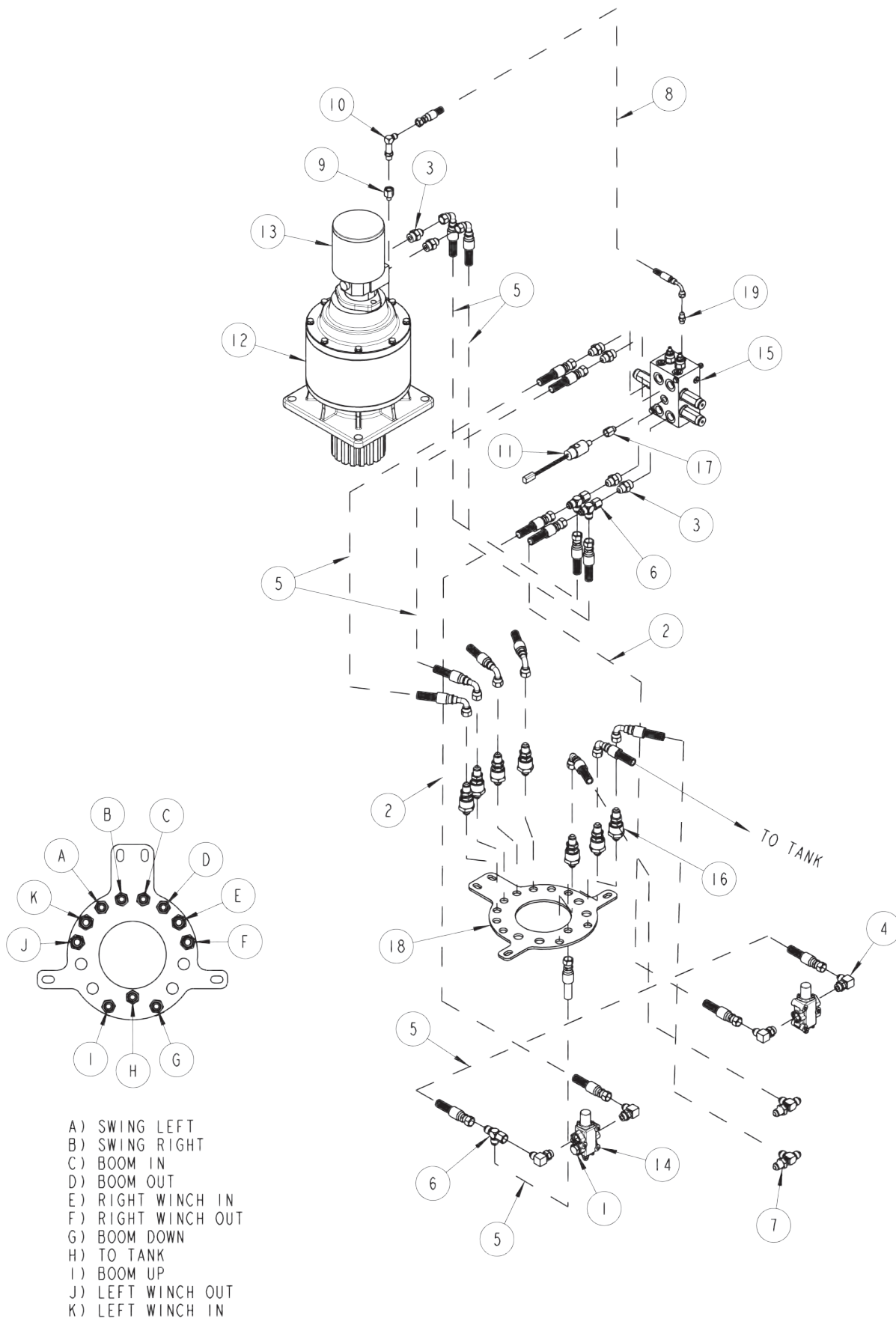
**Section I - PARTS (cont'd)**

**1140 3-STAGE RECOVERY BOOM HYDRAULICS**

ITEM	PART NUMBER	DESCRIPTION	QTY
1	0300041	CONNECTOR 8MJX8MB	2
2	0300644	HOSE CLAMP, 8"	2
3	0300787	HOSE ASSEMBLY - 53" LG	4
4	0301388	ELBOW, 8MJ-8MB90	4
5	0301471	HOSE ASSEMBLY - 30" LG	2
6	0301529	HOSE ASSEMBLY - 58 LG.	2
7	0302275	CONNECTOR 8MJX6MB	2
8	0302276	ELBOW, 8MJ-6MB90	4
9	0302568	HYDRAULIC TUBING	2
10	0302574	FITTING - BULKHEAD - RUN TEE W/NUT	2
11	0302792	HYD CYLINDER	2
12	0302796	BRANCH TEE, 8MJ-8MJ-8FJX	2
13	0307107	VALVE HOLDING 4000 PSI SAE	2
14	0307402	CYLINDER - BOOM EXTEND	1
15	0307613	HYDRAULIC TUBING ASSY - 1/2" DIA	2
16	0400078	1/4-20 X 2 HHCS GR5 ZP	4
17	0400367	1/4-20 NYLOCK HEX NUT ZP	4
18	0400451	1/4 FLAT WASHER ZP	4
19	0703001	BRACKET - MOUNTING	2

# Section I - PARTS (cont'd)

## 1140 RECOVERY BOOM FRAME HYDRAULICS



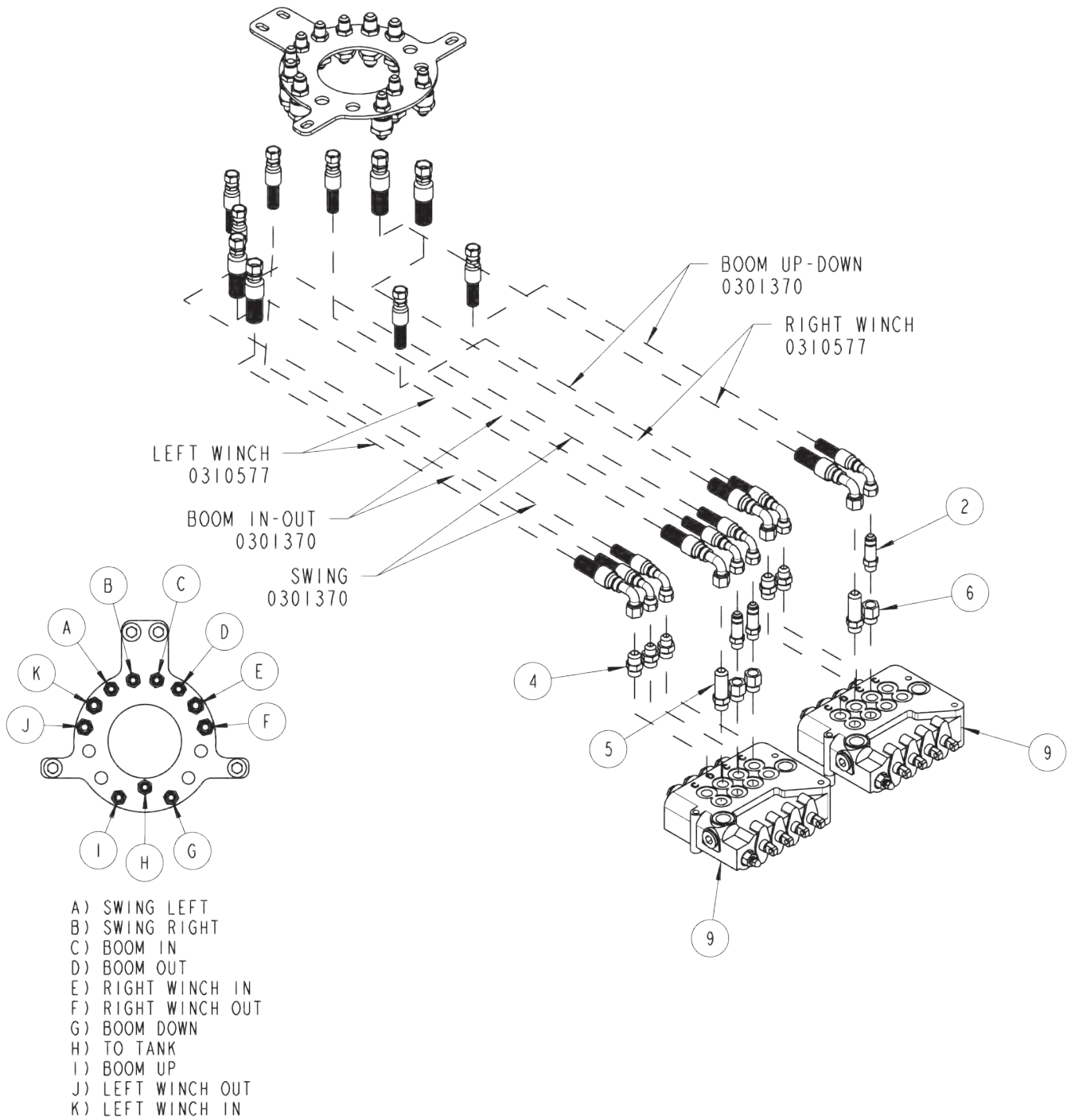
**Section I - PARTS (cont'd)**

**1140 RECOVERY BOOM FRAME HYDRAULICS**

ITEM	PART NUMBER	DESCRIPTION	QTY
1	0300387	PLUG - 1/2 SAE O-RING	2
2	0300659	HOSE ASSY - 8FJX-8C2AT-8FJX 45" LG	2
3	0301376	CONNECTOR 8MJX10MB	6
4	0301388	ELBOW, 8MJ-8MB90	4
5	0301471	HOSE ASSEMBLY, 30" LG.	6
6	0302052	RUN TEE, 8MJ-8MJ-8FJX	3
7	0302574	FITTING - BULKHEAD - RUN TEE W/NUT	2
8	0303994	HOSE ASSY - 6FJX-4C2AT-4FJX90 22" LG	1
9	0307106	CONNECTOR 4MBX6FB	1
10	0307460	FITTING, ELBOW,6MJ-6MB90L	1
11	0310318	SWITCH PRESSURE	1
12	0310334	PLANETARY GEARBOX - 1040S	1
13	0310335	HYDRAULIC MOTOR, PARKER	1
14	0310336	VALVE - DIVERTER	2
15	0310337	SWING CONTROL VALVE	1
16	0310371	INLINE SWIVEL – 8MJ BULKHEAD	7
17	0310634	FITTING ADAPTER	1
18	0722689	PLATE - HYDRAULIC SWIVEL MOUNTING	1
19	HC1291	CONNECTOR, 4MJ-4MB STR	1

# Section I - PARTS (cont'd)

## 1140 VALVE TO BOOM FRAME HYDRAULICS

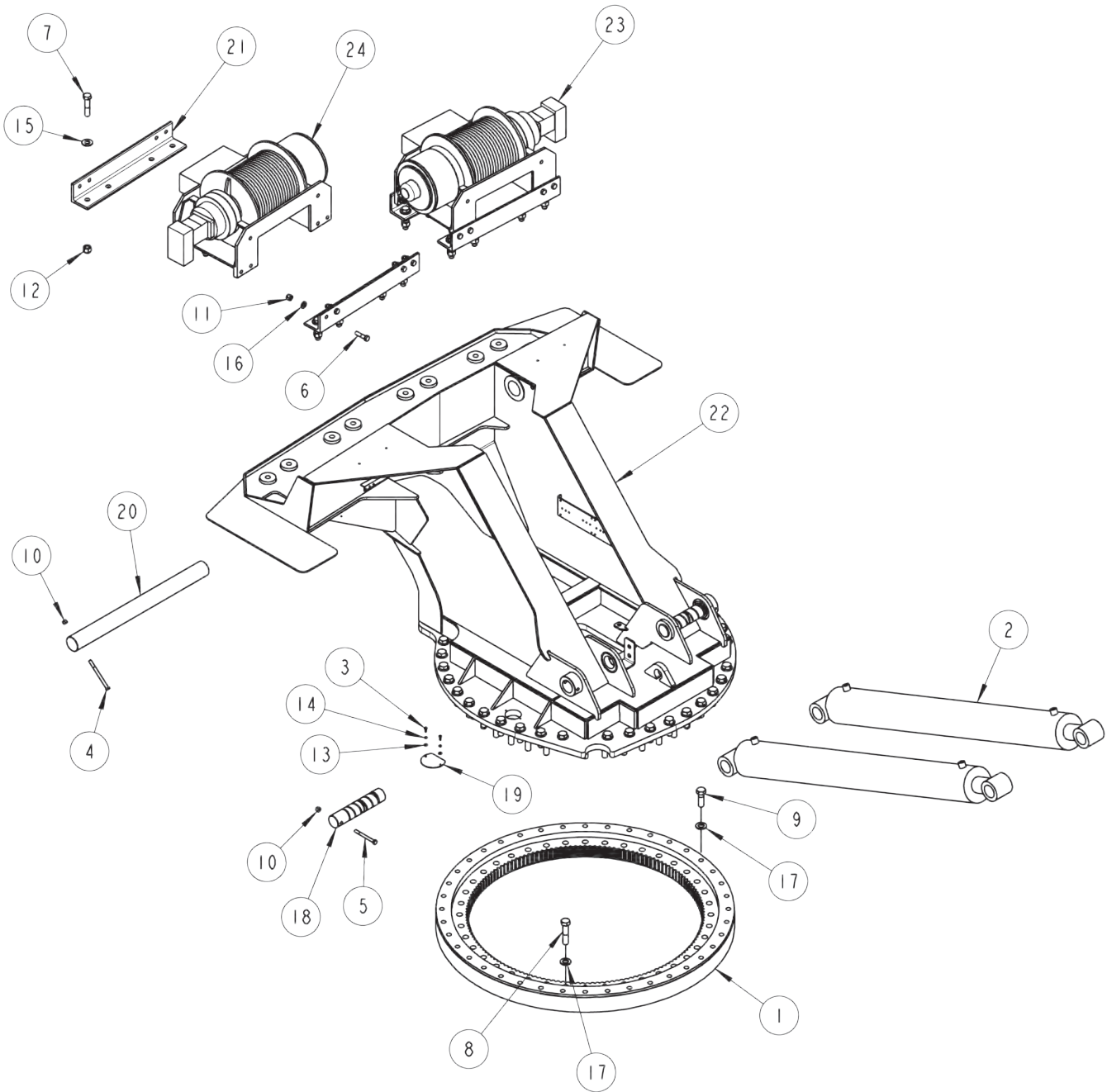


**Section I - PARTS (cont'd)****1140 VALVE TO BOOM FRAME HYDRAULICS**

ITEM	PART NUMBER	DESCRIPTION	QTY
1	0301376	CONNECTOR 8MJX10MB	3
2	0301445	CONNECTOR, 8MJ-8MBL	3
3	0301763	H.P.C.O. ADAPTER	2
4	0302827	CONNECTOR 10MJX10MB	3
5	0302828	CONNECTOR 10MJX10MBL	3
6	0303176	CONNECTOR 10MPX8FB	3
7	0310371	INLINE SWIVEL - 8MJ BULKHEAD	7
8	0310372	INLINE SWIVEL - 10MJ BULKHEAD	4
9	0310600	VALVE, 4 SPOOL	2
10	0722689	PLATE - HYDRAULIC SWIVEL MOUNTING	1

# Section I - PARTS (cont'd)

## 1130 RECOVERY FRAME ASSEMBLY



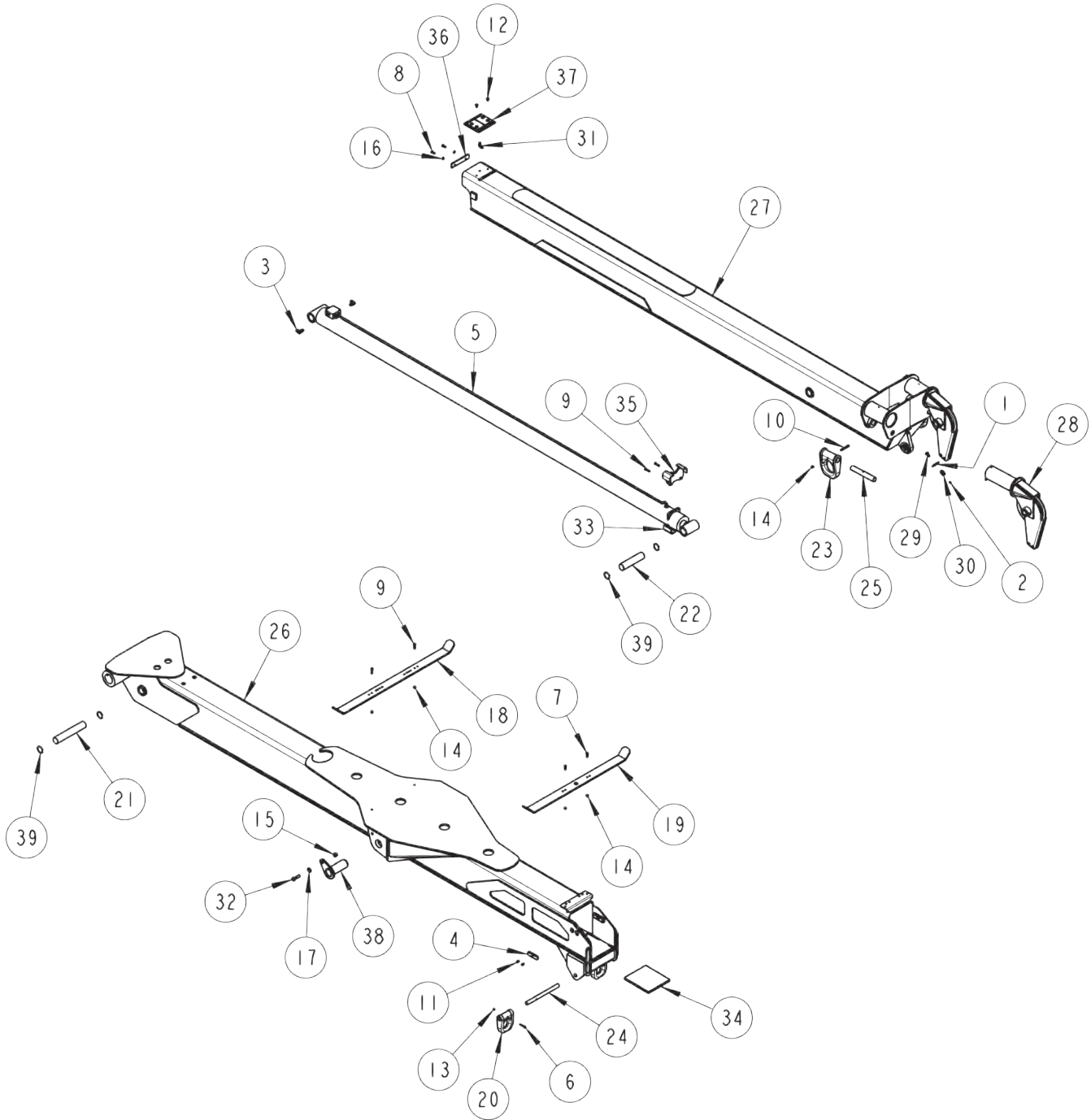


**Section I - PARTS (cont'd)**

**1130 RECOVERY FRAME ASSEMBLY**

ITEM	PART NUMBER	DESCRIPTION	QTY
1	0302220	SLEW RING, 1060S	1
2	0306747	CYL - BOOM LIFT	2
3	0400066	1/4-20 X 3/4 HHCS GR.5,ZP	4
4	0400180	1/2-16 x 6 HHSCS GR5 ZP	2
5	0400206	1/2-13 X 5 HHCS GR.5, ZP	2
6	0400262	5/8-11 X 2 1/2 HHCS GR.8,ZP	16
7	0400307	7/8-9 x 4 HHCS GR.8 GOLD	16
8	0400333	1-8 x 4-1/2 HHCS GR8 ZP	40
9	0400336	1-8 x 3 HHCS GR8 ZP	38
10	0400408	1/2-13 NYLOCK HEX NUT ZP	4
11	0400426	5/8-11 NYLOCK NUT GR.8 ZP	16
12	0400437	7/8-9 NYLOCK HEX NUT GR.8 ZP	16
13	0400451	1/4 FLAT WASHER ZP	4
14	0400452	1/4 HELICAL LOCK WASHER ZP	4
15	0400473	7/8 FLATWASHER HARDENED	16
16	0400503	5/8 FLAT WASHER GR.8	16
17	0400522	1 1/16 x 2 x 1/8 HARDENED FLAT WASHER ZP	78
18	0708094	PIN - LIFT CYLINDER	2
19	0719162	PLATE, ACCESS COVER	2
20	0722103	PIN BOOM PIVOT	1
21	0722104	ANGLE WINCH MOUNTING	4
22	0807639	WRECKER FRAME WELDMENT	1
23	9048248	WINCH DP 2-SPD 25K NARROW DRUM	1
24	9048248_RH	WINCH DP 2-SPD 25K NARROW DRUM	1

**Section I - PARTS (cont'd)**  
**1130 RECOVERY BOOM ASSEMBLY**



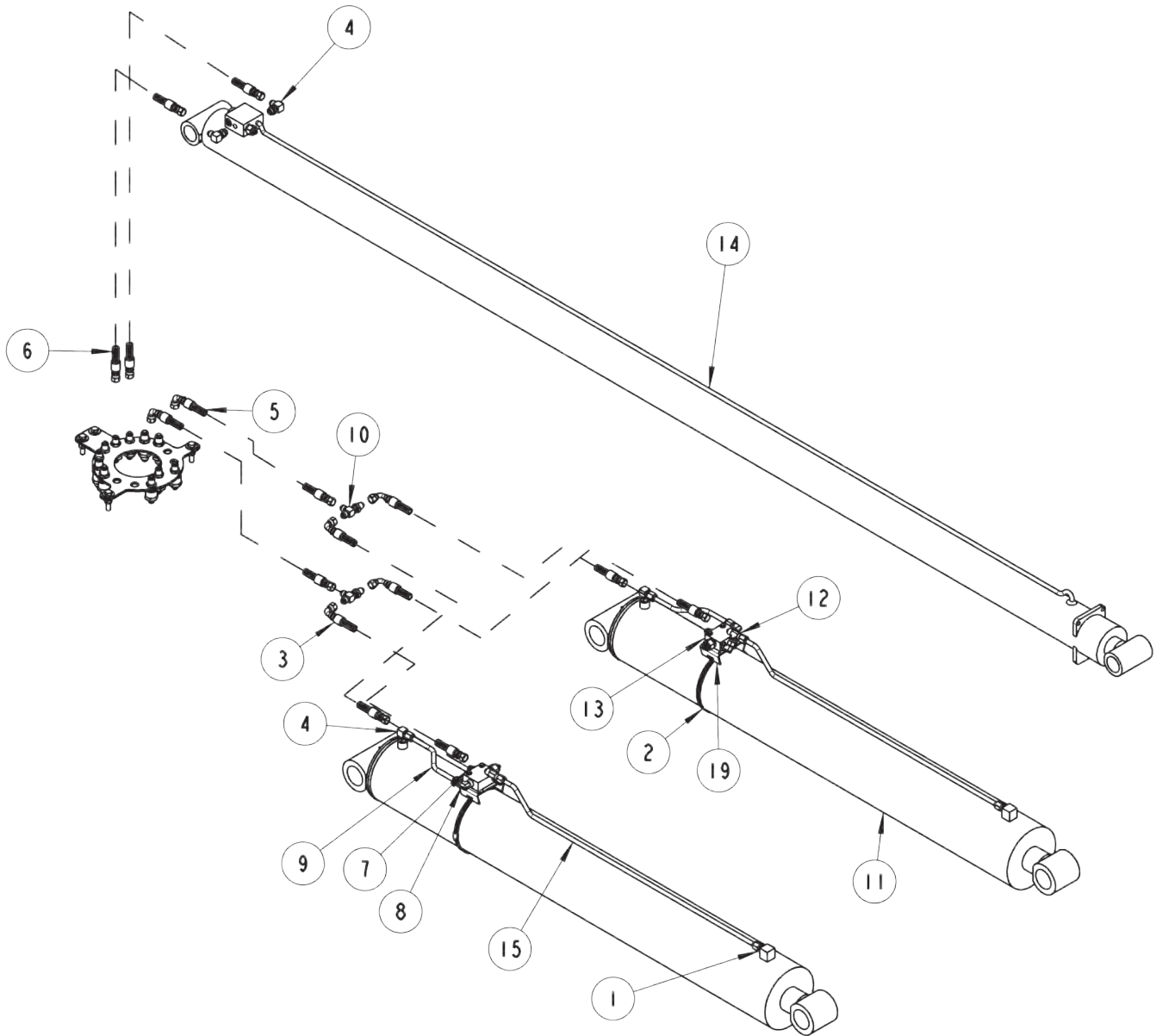
## Section I - PARTS (cont'd)

### 1130 RECOVERY BOOM ASSEMBLY

ITEM	PART NUMBER	DESCRIPTION	QTY
1	3012-793001	PLATE - LUBE MOUNT	1
2	0301895	GREASE FITTING, 1/8 NPT STRAIGHT	1
3	0302276	ELBOW, 8MJ-6MB90	2
4	0303490	WEAR PAD (1/2 X 1 X 4)	2
5	0306743	CYLINDER, BOOM EXTEND	1
6	0400078	1/4-20 X 2 HHCS GR5 ZP	1
7	0400122	3/8-16 X 1 1/4 HHCS GR.5,ZP	2
8	0400126	3/8-16 X 1 HHCS GR.5,ZP	2
9	0400132	3/8-16 X 1 1/2 HHCS GR.5,ZP	4
10	0400133	3/8-16 X 3 HHCS GR.5,ZP	2
11	0400204	1/2-13X3/4 SKT HD SET	4
12	0400349	SCREW, 3/8"-16 X 3/4" FL HD SKT	2
13	0400367	1/4-20 NYLOCK HEX NUT ZP	1
14	0400392	3/8-16 NYLOCK HEX NUT ZP	6
15	0400426	5/8-11 NYLOCK NUT GR.8 ZP	2
16	0400482	3/8 HELICAL LOCK WASHER ZP	2
17	0400503	5/8 FLAT WASHER GR.8	2
18	0706042	CABLE WING, LONG 1040 & 1040B	1
19	0706043	CABLE WING - MED	1
20	0712380	"D" RING	2
21	0715951	PIN - EXT CYL BASE	1
22	0715952	PIN - EXT CYL ROD	1
23	0719585	"D" RING - TOWING	2
24	0722817	PIN, 'D' RING	1
25	0722957	PIN "D" RING	2
26	0807636	OUTER BOOM WLMT	1
27	0807637	1130 INNER BOOM WELDMENT	1
28	0906532	SWIVEL BOOM ASSEMBLY	2
29	9012549	CONNECTOR, 3/8 TUBE X 1/8 NPT	1
30	9012552	BULKHEAD COUPLING, 1/8	1
31	9012584	ELBOW, 1/4 NPT X 3/8 TUBE 90	1
32	9044409	5/8-11 X 2-1/4 HHCS GR8 ZP	2
33	915040501	BOTTOM CLAMP ANGLE - EXT. CYL. ASSY	2
34	930100002	LOWER WEAR PAD - RECOVERY	1
35	930105000	SPIDER CLAMP - TOP WLMT	1
36	945030001	PAD RETAINING PLATE	1
37	945030004	WEAR PAD (UPPER)	1
38	945351500	PIN WELD'T - LOWER LIFT CYL	2
39	HD0151	SNAP RING - 2" INTERNAL	4

Section I - PARTS (cont'd)

1130 RECOVERY BOOM HYDRAULICS



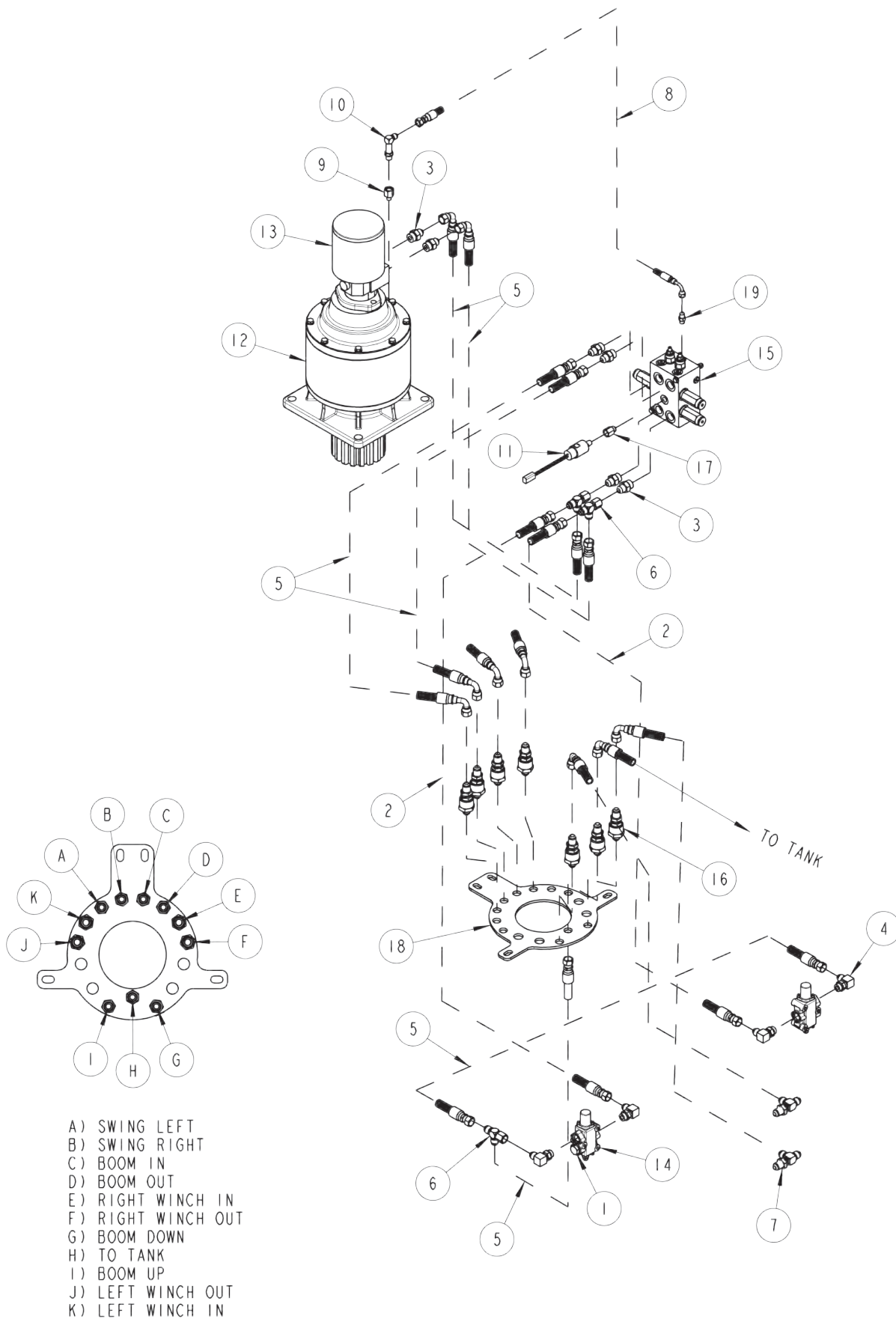
**Section I - PARTS (cont'd)**

**1130 RECOVERY BOOM HYDRAULICS**

ITEM	PART NUMBER	DESCRIPTION	QTY
1	0300041	CONNECTOR 8MJX8MB	2
2	0300644	HOSE CLAMP, 8"	2
3	0300787	HOSE ASSEMBLY - 53" LG	4
4	0301388	ELBOW, 8MJ-8MB90	4
5	0301471	HOSE ASSEMBLY - 30" LG	2
6	0301529	HOSE ASSEMBLY - 58 LG.	2
7	0302275	CONNECTOR 8MJX6MB	2
8	0302276	ELBOW, 8MJ-6MB90	4
9	0302568	HYDRAULIC TUBING	2
10	0302574	FITTING - BULKHEAD - RUN TEE W/NUT	2
11	0306747	HYD CYLINDER	2
12	0302796	BRANCH TEE, 8MJ-8MJ-8FJX	2
13	0307107	VALVE HOLDING 4000 PSI SAE	2
14	0306743	CYLINDER - BOOM EXTEND	1
15	0307614	HYDRAULIC TUBING ASSY - 1/2" DIA	2
16	0400078	1/4-20 X 2 HHCS GR5 ZP	4
17	0400367	1/4-20 NYLOCK HEX NUT ZP	4
18	0400451	1/4 FLAT WASHER ZP	4
19	0703001	BRACKET - MOUNTING	2

# Section I - PARTS (cont'd)

## 1130 RECOVERY BOOM FRAME HYDRAULICS



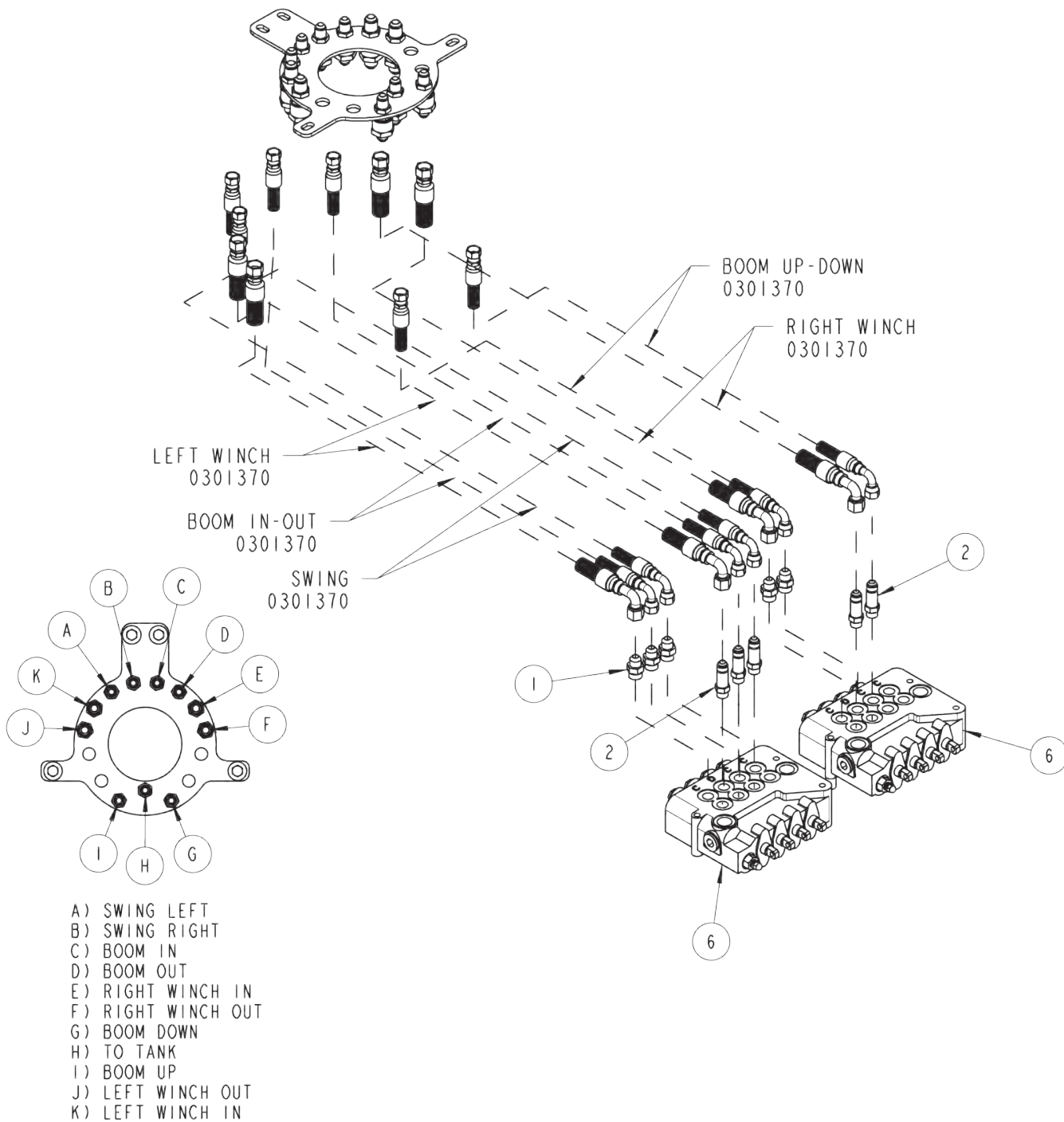
**Section I - PARTS (cont'd)**

**1130 RECOVERY BOOM FRAME HYDRAULICS**

ITEM	PART NUMBER	DESCRIPTION	QTY
1	0300387	PLUG - 1/2 SAE O-RING	2
2	0300659	HOSE ASSY - 8FJX-8C2AT-8FJX 45" LG	2
3	0301376	CONNECTOR 8MJX10MB	6
4	0301388	ELBOW, 8MJ-8MB90	4
5	0301471	HOSE ASSEMBLY, 30" LG.	6
6	0302052	RUN TEE, 8MJ-8MJ-8FJX	3
7	0302574	FITTING - BULKHEAD - RUN TEE W/NUT	2
8	0303994	HOSE ASSY - 6FJX-4C2AT-4FJX90 22" LG	1
9	0307106	CONNECTOR 4MBX6FB	1
10	0307460	FITTING, ELBOW,6MJ-6MB90L	1
11	0310318	SWITCH PRESSURE	1
12	0307651	PLANETARY GEARBOX	1
13	515-000101	HYDRAULIC MOTOR, PARKER	1
14	0310336	VALVE - DIVERTER	2
15	512-080001	SWING CONTROL VALVE	1
16	0310371	INLINE SWIVEL – 8MJ BULKHEAD	7
17	0310634	FITTING ADAPTER	11
18	0722689	PLATE - HYDRAULIC SWIVEL MOUNTING	1
19	HC1291	CONNECTOR, 4MJ-4MB STR	1

# Section I - PARTS (cont'd)

## 1130 VALVE TO BOOM FRAME HYDRAULICS





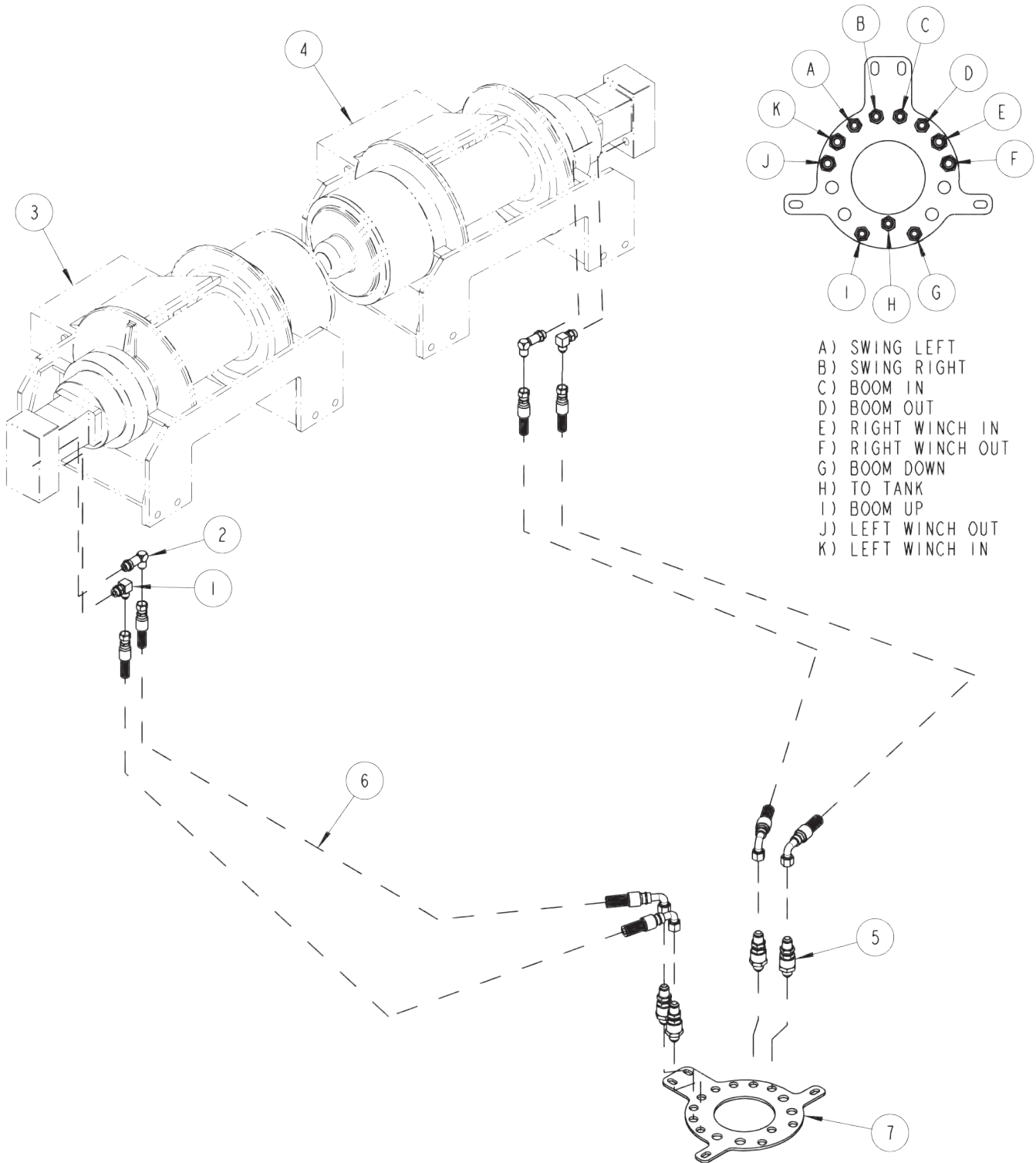
## Section I - PARTS (cont'd)

### 1130 VALVE TO BOOM FRAME HYDRAULICS

ITEM	PART NUMBER	DESCRIPTION	QTY
1	0300041	CONNECTOR 8MJX8MB	6
2	0301445	CONNECTOR, 8MJ-8MBL	6
3	0300286	H.P.C.O. ADAPTER	2
4	0310371	INLINE SWIVEL - 8MJ BULKHEAD	7
5	0310372	INLINE SWIVEL - 10MJ BULKHEAD	4
6	0310678	VALVE, 4 SPOOL	2
7	0722689	PLATE - HYDRAULIC SWIVEL MOUNTING	1

# Section I - PARTS (cont'd)

## WINCH HYDRAULICS



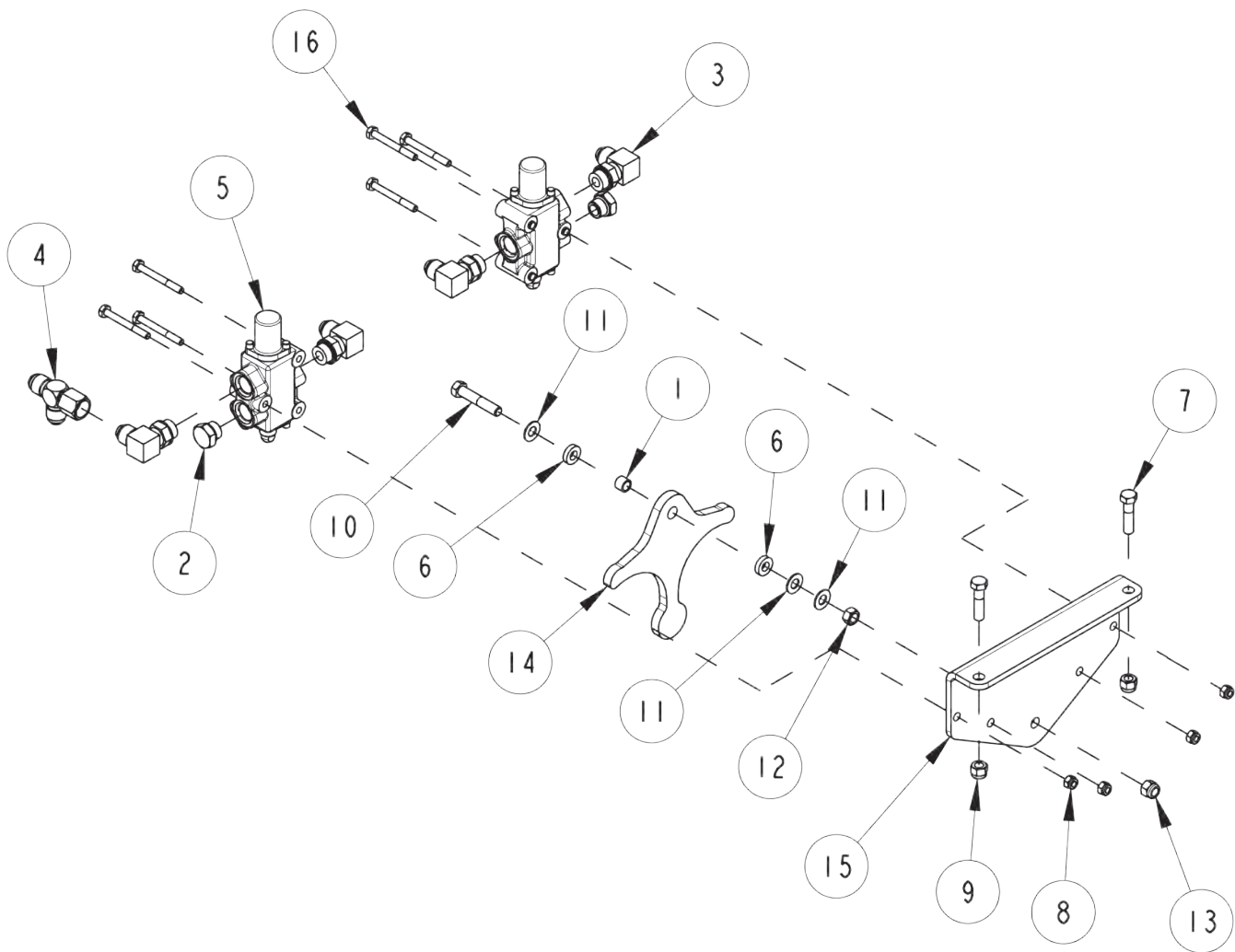
**Section I - PARTS (cont'd)**

**WINCH HYDRAULICS**

ITEM	PART NUMBER	DESCRIPTION	QTY
1	0301388	ELBOW, 8MJ-8MB90	2
2	0302508	ELBOW, 8MJ-8MB90LL	2
3	0307061-LH 9048248	DP 35K OVERWIND WINCH - LH (1140) WINCH 2-SPD DP 25K NARROW DRUM (1130)	1 1
4	0307061-RH 9048248	DP 35K OVERWIND WINCH - RH(1140) WINCH 2-SPD DP 25K NARROW DRUM (1130)	1 1
5	0310372	INLINE SWIVEL - 10MJ BULKHEAD	4
6	0310581	HOSE ASSY-8FJX-10M3KXTF-10FJX90S 96"LG	4
7	0722689	PLATE - HYDRAULIC SWIVEL MOUNTING	1

# Section I - PARTS (cont'd)

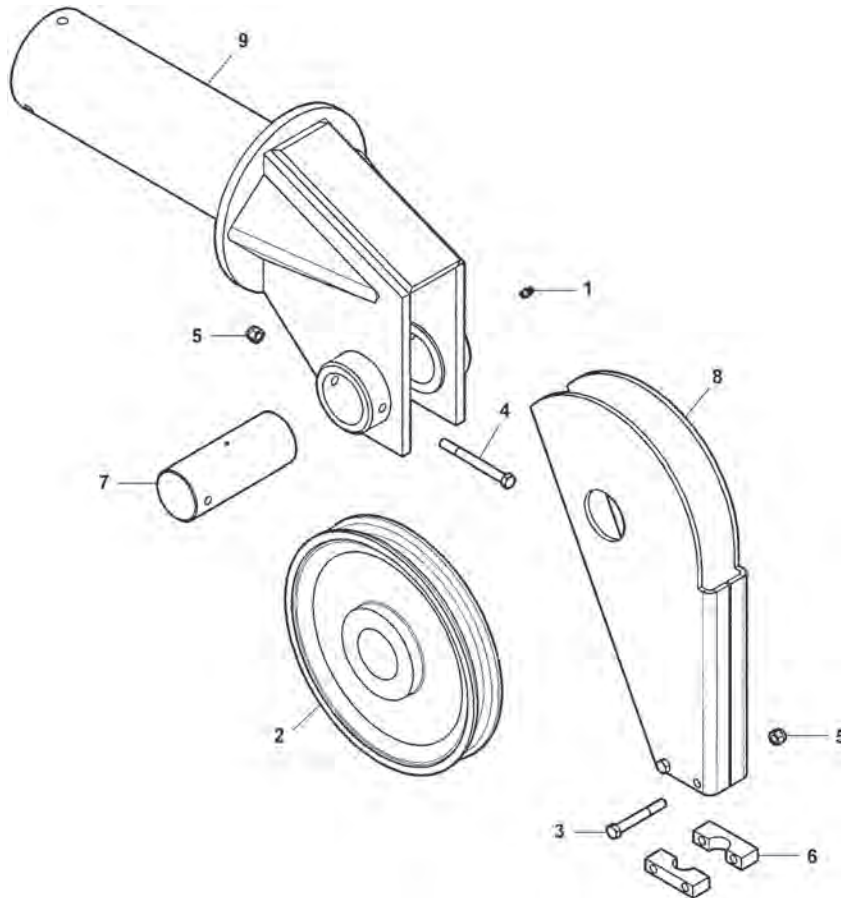
## SWING LIMIT VALVE ASSEMBLY



ITEM	PART NUMBER	DESCRIPTION	QTY
1	561-0380002	BUSHING	1
2	0300387	PLUG - 1/2 SAE O-RING	2
3	0301388	ELBOW, 8MJ-8MB90	4
4	0302052	RUN TEE, 8MJ-8MJ-8FJX	1
5	0310336	VALVE - DIVERTER	2
6	0310565	SPACER - 3/8 ID X 3/4 OD X 3/16	2
7	0400132	3/8-16 X 1 1/2 HHCS GR.5,ZP	2
8	0400367	1/4-20 NYLOCK HEX NUT ZP	6
9	0400392	3/8-16 NYLOCK HEX NUT ZP	2
10	0402046	3/8-16 X 2 HHCS SS	1
11	0402120	3/8 FLATWASHER 316 SS	3
12	0402122	HEX NUT 316 STAINLESS	1
13	0402123	3/8-16 NYLOCK HEX NUT SS	1
14	0721687	PLATE - SWING LIMIT CAM	3
15	0721688	ANGLE - SWING LIMIT MOUNTING	1
16	9041010	1/4-20NC X 2.25 GR8 ZP	6

# Section I - PARTS (cont'd)

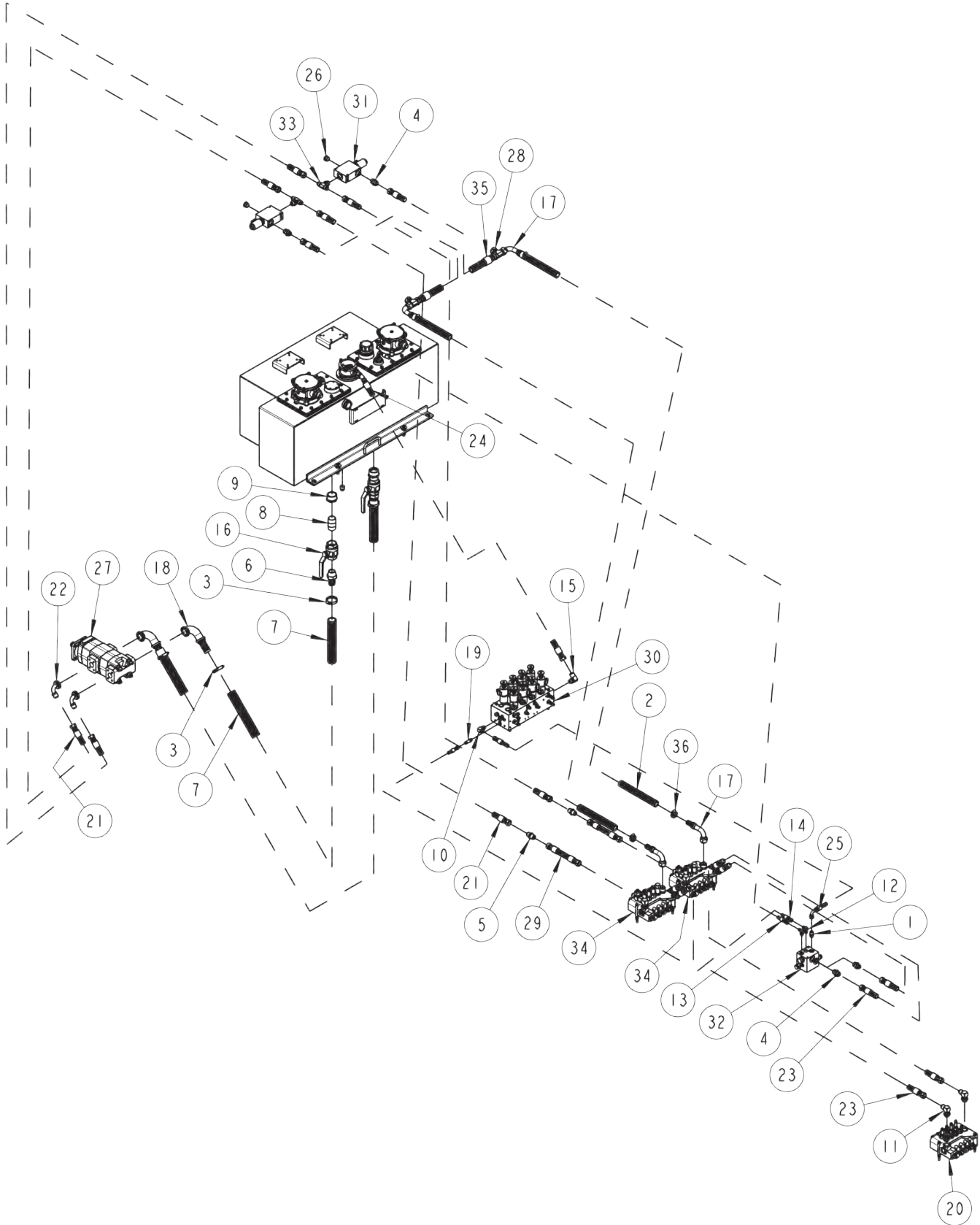
## BOOM SWIVEL ASSEMBLY



ITEM	PART NUMBER	DESCRIPTION	QTY
--	0906535	BOOM SWIVEL ASSEMBLY (1140)	--
1	0300113	GREASE FITTING, 1/4"-28 STRAIGHT	2
2	0300311	SHEAVE, 12-101BB 10	2
3	0400133	SCREW, 3/8"-16 X 3" HEX HD CAP GR5 ZP	2
4	0400140	SCREW, 3/8"-16 X 4" HEX HD CAP GR5 ZP	4
5	0400392	NUT, 3/8"-16 NYLOK HEX ZP	6
6	0700511	GUIDE, BOTTOM CABLE	4
7	0700563	SHEAVE SHAFT	2
8	0802027	CABLE GUIDE WELDMENT	2
9	0804450	BOOM END SWIVEL WELDMENT	2
--	0906532	BOOM SWIVEL ASSEMBLY (1130)	--
1	0300113	GREASE FITTING, 1/4"-28 STRAIGHT	2
2	0303441	SHEAVE, 10" 1-1/2" BORE	2
3	0400133	SCREW, 3/8"-16 X 3" HEX HD CAP GR5 ZP	2
4	0400150	SCREW, 3/8"-16 X 2-1/2" HEX HD CAP GR5 ZP	4
5	0400392	NUT, 3/8"-16 NYLOK HEX ZP	6
6	0700801	GUIDE, BOTTOM CABLE	4
7	0716134	SHEAVE SHAFT	2
8	0803313	CABLE GUIDE WELDMENT	2
9	0804449	BOOM END SWIVEL WELDMENT	2

# Section I - PARTS (cont'd)

## 1140 PUMP, VALVE & FILTER HYDRAULICS



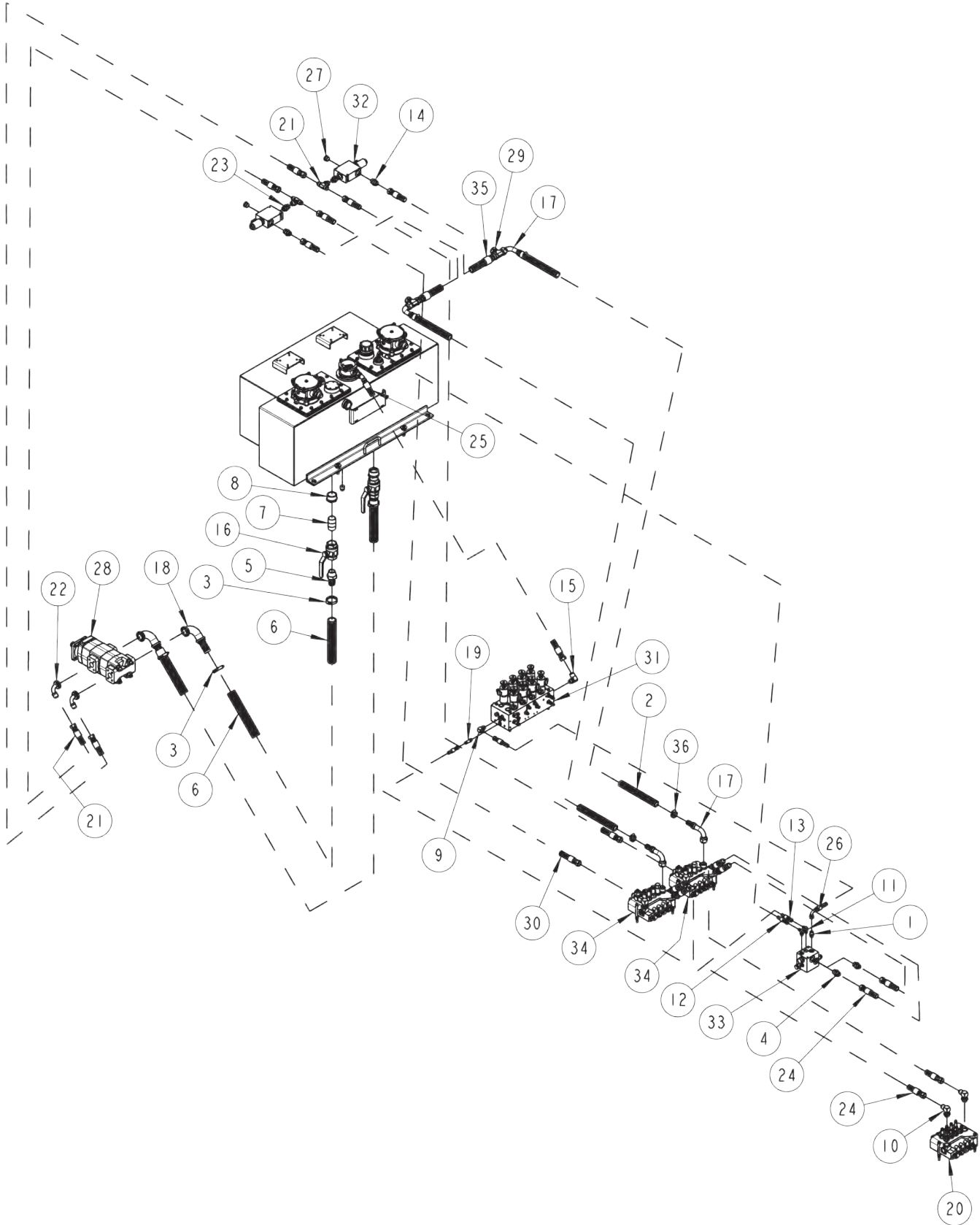
## Section I - PARTS (cont'd)

### 1140 PUMP, VALVE & FILTER HYDRAULICS

ITEM	PART NUMBER	DESCRIPTION	QTY
1	0300041	CONNECTOR 8MJX8MB	1
2	0300058	SUCTION HOSE, 1" I.D. 16C4	4
3	0300364	HOSE CLAMP, 7/8" TO 2-3/4"	4
4	0300400	CONNECTOR, 12MJ-12MB	4
5	0300649	CONNECTOR, 12MJ-12MJ	2
6	0300666	BARB, 24C4-24MP	2
7	0300671	SUCTION HOSE, 1-1/2" I.D. 100R4	4
8	0300891	PIPE NIPPLE - 1-1/2 X 3	2
9	0301373	BUSHING, 2MP-1-1/2FP	2
10	0301388	ELBOW, 8MJ-8MB90	1
11	0301545	ELBOW, 12MJ-12MB90	4
12	0301620	FITTING, ELBOW, 6MJ-6MB90	2
13	0301695	HOSE ASSY - 91" LG.	1
14	0301965	HOSE ASSY - 131" LG.	1
15	0302085	FITTING 12MJ-10MB90	3
16	0302088	BALL VALVE - 1 1/2 BRONZE	2
17	0302170	BENT TUBE SWIVEL, 16C2-16FJX90S	4
18	0302242	ELBOW, 24HOSE-24FL90	2
19	0302510	CONNECTOR, 6MJ-6MBL	5
20	0302511	VALVE, 4 SPOOL VDP12CDDD10	1
21	0302901	HOSE - HYD ASSY 120" LG	4
22	0302932	FITTING ~ 12MJ-20FL 90	2
23	0303330	HOSE - HYD ASSY 40" LG	4
24	0303339	HOSE ASSY - 45" LG.	1
25	0303763	HOSE ASSEMBLY - 94"	1
26	0306901	PLUG - 3/4 SAE O-RING HEX SOC	4
27	0307119	HYDR. PUMP - P350B242JEAB20-7MHAB20-1	1
28	0307424	BRANCH TEE, 16MJ-16MJ-16FJX	2
29	0307472	HOSE - HYD ASSY 24" LG	2
30	0310358	VALVE - SOLENOID 12V OUTRIG CTRL	1
31	0310495	VALVE-N/C PROPORTIONAL	2
32	0310501	VALVE - OUTRIGGER DIVERTER	1
33	0310520	ADAPTER, TEE, 12MJ-12MJ-12MB, MALE	2
34	0310600	VALVE, 4 SPOOL	2
35	0310699	HOSE ASSY - 31" LG.	2
36	9018016	HOSE CLAMP, HS-20 1-1/4"	4

# Section I - PARTS (cont'd)

## 1130 PUMP, VALVE & FILTER HYDRAULICS





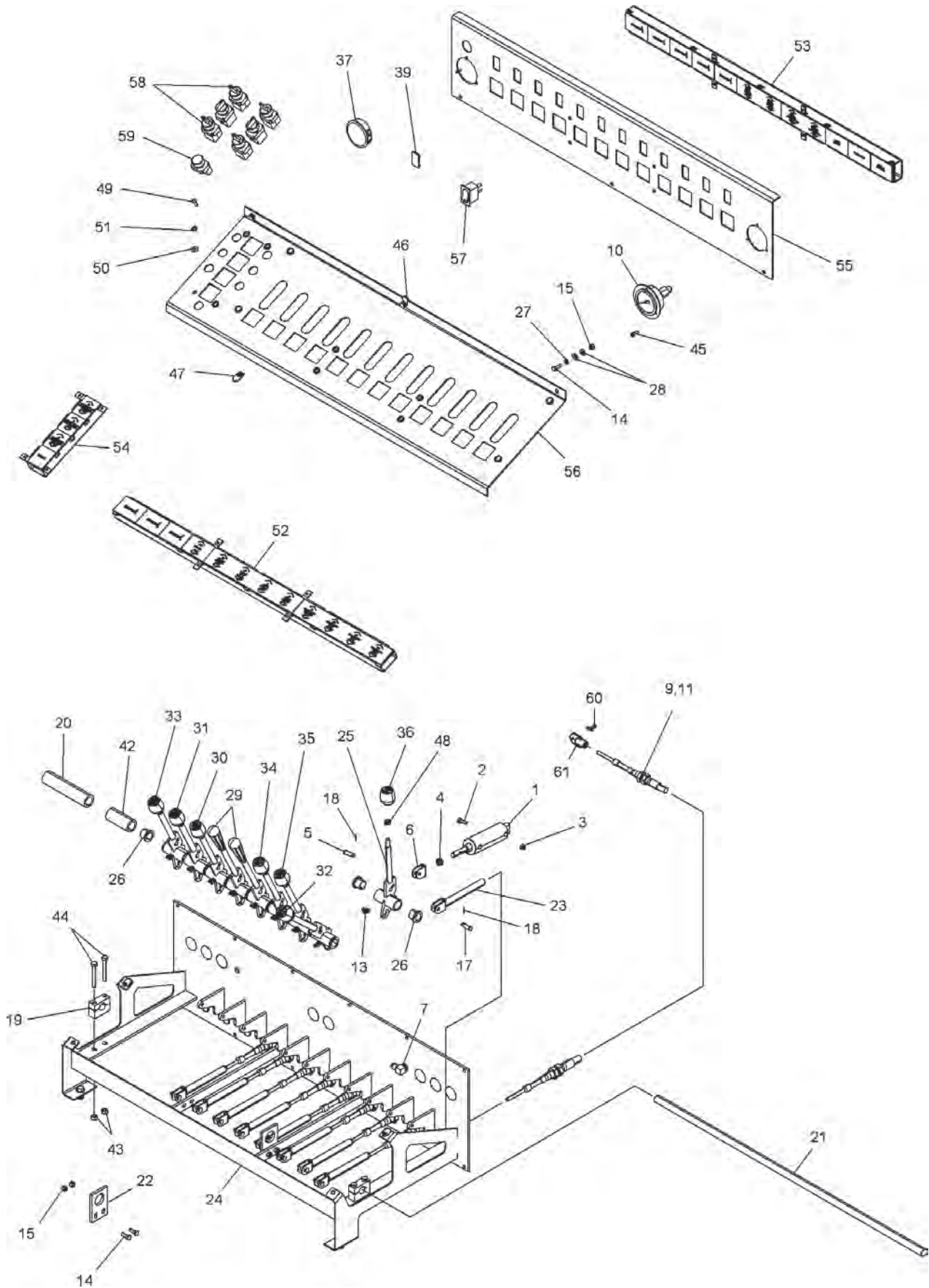
## Section I - PARTS (cont'd)

### 1130 PUMP, VALVE & FILTER HYDRAULICS

ITEM	PART NUMBER	DESCRIPTION	QTY
1	0300041	CONNECTOR 8MJX8MB	1
2	0300058	SUCTION HOSE, 1" I.D. 16C4	4
3	0300364	HOSE CLAMP, 7/8" TO 2-3/4"	4
4	0300400	CONNECTOR, 12MJ-12MB	2
5	0300666	BARB, 24C4-24MP	2
6	0300671	SUCTION HOSE, 1-1/2" I.D. 100R4	4
7	0300891	PIPE NIPPLE - 1-1/2 X 3	2
8	0301373	BUSHING, 2MP-1-1/2FP	2
9	0301388	ELBOW, 8MJ-8MB90	1
10	0301545	ELBOW, 12MJ-12MB90	4
11	0301620	FITTING, ELBOW, 6MJ-6MB90	2
12	0301695	HOSE ASSY - 91" LG.	1
13	0301965	HOSE ASSY - 131" LG.	1
14	0302082	FITTING 12MJ-10MB90	3
15	0302085	FITTING, ADAPTER 12MJ-10MB90	3
16	0302088	BALL VALVE - 1 1/2 BRONZE	2
17	0302170	BENT TUBE SWIVEL, 16C2-16FJX90S	4
18	0302242	ELBOW, 24HOSE-24FL90	2
19	0302510	CONNECTOR, 6MJ-6MBL	5
20	0302511	VALVE, 4 SPOOL VDP12CDDD10	1
21	0302842	FITTING, TEE	2
22	0302932	FITTING, 12MJ-20FL 90	2
23	0303176	CONNECTOR 10MPX8FB	2
24	0303330	HOSE - HYD ASSY 40" LG	4
25	0303339	HOSE ASSY - 45" LG.	1
26	0303763	HOSE ASSEMBLY - 94"	1
27	0306901	PLUG - 3/4 SAE O-RING HEX SOC	4
28	0307119	HYDR. PUMP - P350B242JEAB20-7MHAB20-1	1
29	0307424	BRANCH TEE, 16MJ-16MJ-16FJX	2
30	0301659	HOSE - HYD ASSY 24" LG	1
31	0310358	VALVE - SOLENOID 12V OUTRIG CTRL	1
32	0310476	VALVE-N/C PROPORTIONAL	2
33	0310501	VALVE - OUTRIGGER DIVERTER	1
34	0310678	VALVE, 4 SPOOL	2
35	0310699	HOSE ASSY - 31" LG.	2
36	9018016	HOSE CLAMP, HS-20 1-1/4"	4

# Section I - PARTS (cont'd)

## LEFT CONTROL ASSEMBLY



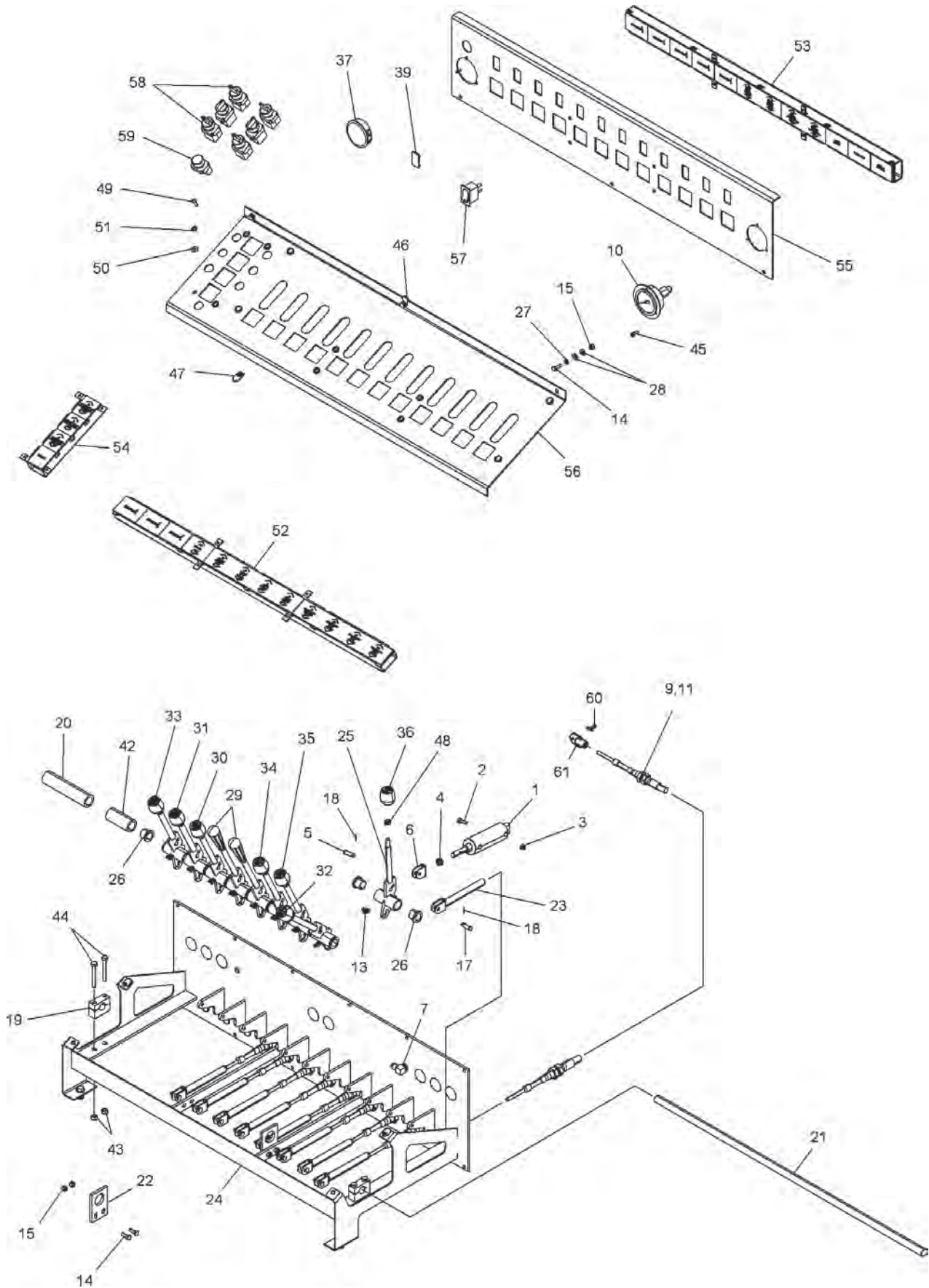
## Section I - PARTS (cont'd)

### LEFT CONTROL ASSEMBLY

ITEM	PART NUMBER	DESCRIPTION	QTY
--	0906412	8 FUNCTION AIR ASSEMBLY	--
1	0306698	AIR CYLINDER, 1.5 BORE X 1.71 STROKE	4
2	0400057	SCREW, 1/4"-20 X 1-1/4" HEX HD CAP	4
3	0400367	NUT, 1/4"-20 NYLOK HEX ZP	4
4	0400401	NUT, 7/16"-20 HEX JAM PL	4
5	0400527	CLEVIS PIN, 5/16" X 5/8"	4
6	0803181	CLEVIS WELDMENT	4
--	0908138	LEFT CONTROL ASSEMBLY (10 HANDLE)	--
7	FC41	FITTING, 90DEG BLKHD ELB	1
8	0301473	HOSE, HYDRAULIC 18" (Not Shown)	1
9	0301884	CONTROL CABLE, 96"	6
10	0302205	GAUGE, FLUSH MOUNT 6000 PSI	1
11	0302457	CONTROL CABLE, 104"	4
12	0302577	FITTING 6MJ-4FP (Not Shown)	1
13	0302726	GREASE FITTING, 1/4"-28	10
14	0400066	SCREW, 1/4"-20 X 3/4" HEX HD CAP GR5 ZP	8
15	0400367	NUT, 1/4"-20 NYLOK HEX ZP	8
16	0400383	NUT, 5/16"-24 HEX ZP (Not Shown)	10
17	0400532	CLEVIS PIN, 5/16" X 1" ZP	10
18	0400541	COTTER PIN, 1/16" X 3/4"	10
19	0711235	SHAFT CLAMP, CONTROL BOX	2
20	0717206	SPACER TUBE, 1-1/4" OD	1
21	0717270	CONTROL HANDLE PIN	1
22	0717461	PLATE, SUPPORT SHAFT	2
23	0806006	CLEVIS WELDMENT	10
24	0806009	CONTROL FRAME WELDMENT	1
--	0907441	CONTROL HANDLE ASSEMBLY, SHORT	10
25	0806515	CONTROL HANDLE WELDMENT	1
26	9053524	BEARING BR. FLG.752 X .879x.75, 2 EACH ON HANDLES AND SPACERS	22
27	0400453	WASHER, 1/4" FLAT	4
28	8	0400452LOCKWASHER, 1/4" HELICAL	
--	0908847	KNOB, DECAL & PANEL KIT (10 HANDLE)	--
29	0307604	KNOB, RED LONG SK0700-07	2
30	0300835	KNOB, BOOM (UP-DOWN)	1
31	0300837	KNOB, BOOM (IN-OUT)	1

Section I - PARTS (cont'd)

LEFT CONTROL ASSEMBLY (cont'd)



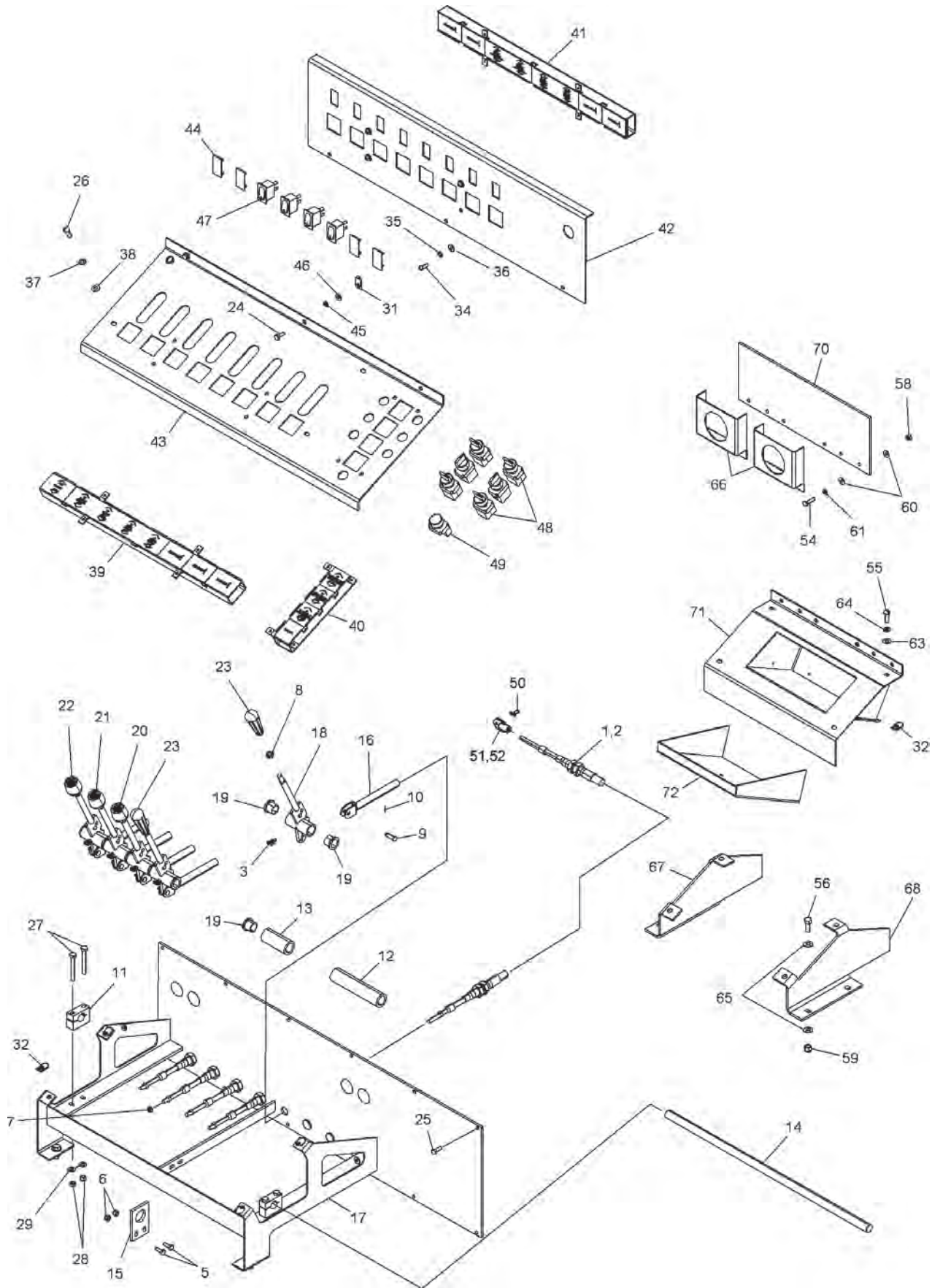
## Section I - PARTS (cont'd)

### LEFT CONTROL ASSEMBLY (cont'd)

ITEM	PART NUMBER	DESCRIPTION	QTY
--	0908847	KNOB, DECAL & PANEL KIT (cont'd)	--
32	0302856	KNOB, TILT (UP-DOWN)	1
33	0303379	KNOB, SWING (CW-CCW)	1
34	0303380	KNOB, UNDERLIFT (IN-OUT)	1
35	0303381	KNOB, UNDERLIFT (UP-DOWN)	1
36	0303382	KNOB, FOLD (UP-DOWN)	1
37	0303941	PLUG, 2-1/2"	1
38	0307166	PLUG, 7/8" (Not Shown)	2
39	0307778	PLUG, FILTER	5
40	0310021	PIGTAIL, PWR-SWITCH (Not Shown)	2
41	0310022	PIGTAIL, GND-SWITCH (Not Shown)	2
42	0717208	SPACER TUBE 1-1/4" OD	1
43	0400382	NUT, 5/16"-18 NYLOK HEX	4
44	0400107	SCREW 5/16"-18 X 2-1/2" HEX HD CAP GR5 ZP	4
45	0400005	SCREW, #6-32 X 1/2" RD HD PH SS	3
46	0400369	NUT, 1/4" "J" TYPE TINNERMAN	6
47	0400380	NUT, 5/16"-18 "J" TINNERMAN	8
48	0400393	NUT, 3/8"-16 HEX JAM ZP	20
49	0400071	SCREW, 1/4"-20 X 3/4" RD PHIL HD SS	8
50	0402111	WASHER, 1/4" FLAT SS	8
51	0402110	LOCKWASHER, 1/4" 316 SS	8
52	0908822	ILLUMINATED LEGEND ASSEMBLY, LOWER	1
53	0908823	ILLUMINATED LEGEND ASSEMBLY, UPPER	1
54	0909056	ILLUMINATED LEGEND ASSEMBLY, SIDE	1
55	0719849	PANEL, GAUGE (12 HANDLE)	1
56	0719592	PLATE, CONTROL (12 HANDLE)	1
57	9024041	SWITCH, MCGILL 0852-0110	13
--	0908135	PROPORTIONAL CONTROL KIT W/ DW	--
58	0306540	ROTARY SELECT SWITCH OPERATOR	6
59	0306565	PUSH BUTTON OPERATOR W/MTG (BLUE)	1
--	0908137	PROPORTIONAL CONTROL VALVE KIT	--
60	0307456	CLEVIS PIN, 3/16" X 3/4" ZP	10
61	0806759	VALVE LINK WELDMENT	10

# Section I - PARTS (cont'd)

## RIGHT CONTROL ASSEMBLY (OPTIONAL)

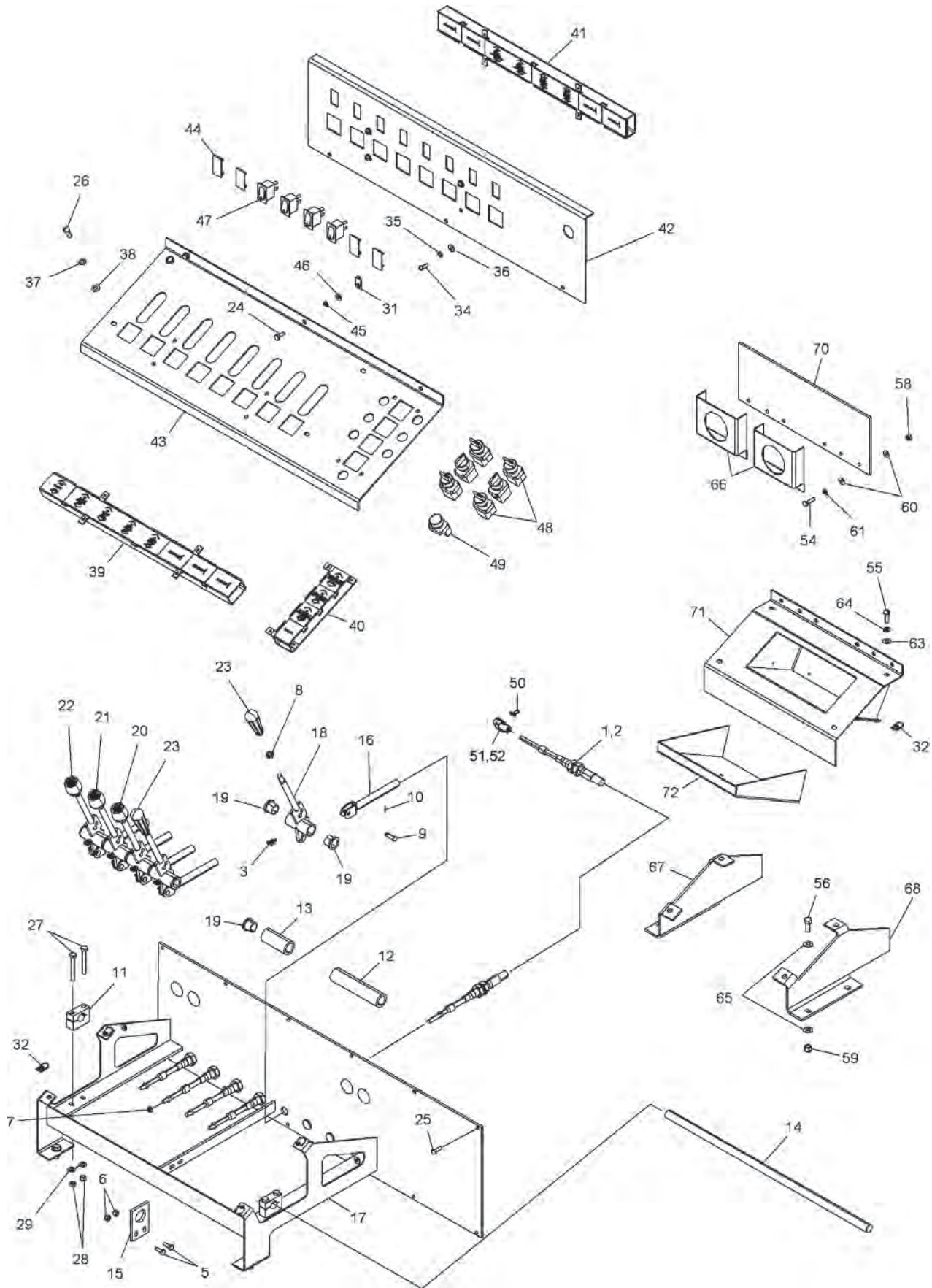


## Section I - PARTS (cont'd)

### RIGHT CONTROL ASSEMBLY (OPTIONAL)

ITEM	PART NUMBER	DESCRIPTION	QTY
--	0909004	RIGHT CONTROL ASSEMBLY (8 HANDLE)	--
1	0301969	CONTROL CABLE, 84"	3
2	0302457	CONTROL CABLE, 104"	5
3	0302726	GREASE FITTING, 1/4"-28	8
4	0303253	TERMINAL .187" FEM QD (Not Shown)	4
5	0400066	SCREW, 1/4"-20 X 3/4" HEX HD CAP GR5 ZP	2
6	0400367	NUT, 1/4"-20 NYLOK HEX ZP	2
7	0400383	NUT, 5/16"-24 HEX ZP CABLE END	12
8	0400393	NUT, 3/8"-16 HEX JAM ZP	8
9	0400532	CLEVIS PIN, 5/16" X 1" ZP	8
10	0400540	COTTER PIN, 1/16" X 3/4"	5
11	0711235	SHAFT CLAMP, CONTROL BOX	2
12	0717207	SPACER TUBE, 1-1/4" OD	1
13	0717209	SPACER TUBE, 1-1/4" OD	1
14	0717203	CONTROL HANDLE PIN (6)	1
15	0717461	PLATE, SUPPORT SHAFT	1
16	0806006	CLEVIS WELDMENT	8
17	0806008	CONTROL FRAME WELDMENT (6,7,8 HND)	1
--	0907441	CONTROL HANDLE ASSEMBLY, SHORT	8
18	0806515	CONTROL HANDLE WELDMENT	1
19	9053524	BEARING BR. FLG .752 X .879 X .75	14
--	0909002	KNOB, DECAL & PANEL KIT (8 HDL/8 SW)	--
20	0300836	KNOB-BOOM (UP-DOWN)	1
21	0300838	KNOB-BOOM (IN-OUT)	1
22	0303380	KNOB, SWING CW-CCW	1
23	0307605	KNOB, RED LONG-SK0700-07	2
24	0400067	SCREW, 1/4"-20 X 3/4" MACH SCREW 2	3
25	0400062	SCREW, 1/4"-20 X 3/4" THRD CUT HEX	12
26	0400103	SCREW, 5/16"-18 X 1" RD MACH HD SS	8
27	0400107	SCREW, 5/16"-18 X 2-1/2" HHC GR5 ZP	4
28	0400382	5/16-18 NUTS	4
29	0400463	5/16" FLAT WASHER	4
30	0400367	NUT, 1/4"-20 NYLOK HEX ZP (Not Shown)	12
31	0400370	NUT, 1/4" "J" TYPE TINNERMAN	1
32	0400379	NUT, 5/16"-18 "J" TINNERMAN	8
33	0400393	NUT, 3/8"-16 HEX JAM ZP (Not Shown)	7
34	0400072	SCREW, 1/4"-20 X 3/4" RND MACH HD SS	4
35	0402112	LOCKWASHER, 1/4" SS	4
36	0402111	WASHER, 1/4" FLAT SS	4
37	0400467	LOCKWASHER, 5/16" SS	8
38	0400466	WASHER, FLAT 5/16" SS	8
39	0909051	ILLUMINATED LEGEND ASSEMBLY, LOWER	1

**Section I - PARTS (cont'd)**  
**RIGHT CONTROL ASSEMBLY (OPTIONAL) (cont'd)**



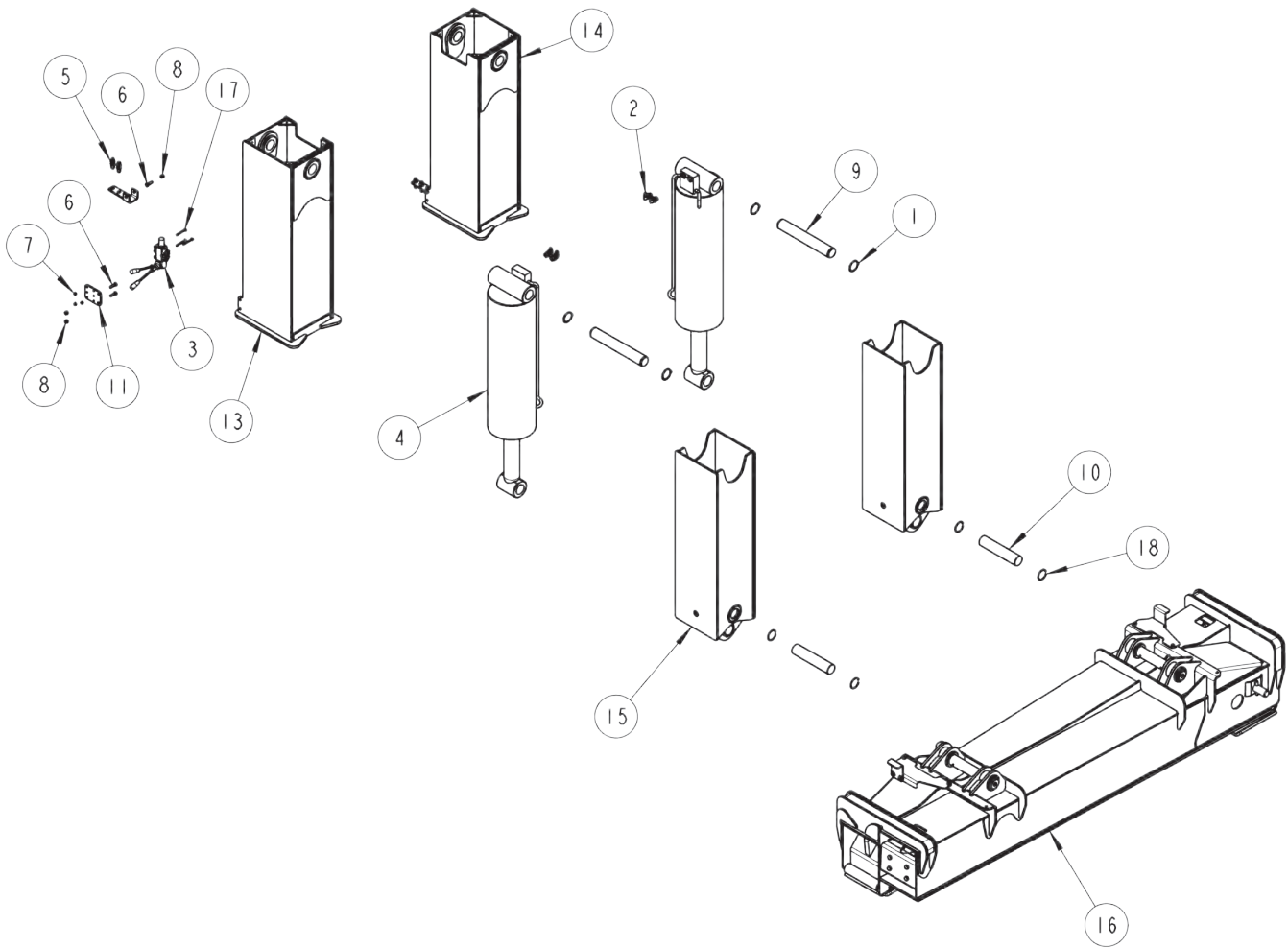


## Section I - PARTS (cont'd)

### RIGHT CONTROL ASSEMBLY (OPTIONAL) (cont'd)

ITEM	PART NUMBER	DESCRIPTION	QTY
--	0909002	KNOB, DECAL & PANEL KIT (cont'd)	
40	0909056	ILLUMINATED LEGEND ASSEMBLY, OUTRIGGER	1
41	0909053	ILLUMINATED LEGEND ASSEMBLY, UPPER	1
42	0719248	PANEL, GAUGE (8 HANDLE)	1
43	0719247	PLATE, CONTROL (8 HANDLE)	1
44	0307779	PLUG, FILLER	4
45	0400455	LOCKWASHER, 1/4"	3
46	0400454	WASHER, FLAT	3
47	9024041	SWITCH, MCGILL 0852-0110	4
--	0908135	PROPORTIONAL CONTROL KIT W/ DW	--
48	0306541	ROTARY SELECT SWITCH OPERATOR	6
49	0306565	PUSH BUTTON OPERATOR W/MTG (BLUE)	1
--	0908137	PROPORTIONAL CONTROL VALVE KIT	--
50	0307456	CLEVIS PIN, 3/16" X 3/4" ZP	8
51	0806759	VALVE LINK WELDMENT (HUSCO)	8
52	0806738	CONNECTOR, CABLE CONTROL (Not Shown)	8
--	0908845	REMOTE TRAY ASSEMBLY	--
53	0307822	PIN SWITCH (Not Shown)	1
54	0400070	1/4-20 X 1 HHCS GR5 ZP	7
55	0400101	SCREW, 5/16-18 RD HD SLOTTED SS	4
56	0400126	3/8-16 X 1 HHCS, GR5 ZP	4
57	0400366	1/4-20 HEX NUT ZP (Not Shown)	2
58	0400367	1/4-20 NYLOCK HEX NUT ZP	7
59	0400392	3/8-16 NYLOCK HEX NUT ZP	4
60	0400451	1/4 FLAT WASHER ZP	14
61	0400452	1/4 HELICAL LOCK WASHER ZP	6
62	0400458	1/4 STAR LOCKWASHER ZP (Not Shown)	1
63	0400463	5/16 FLAT WASHER ZP	4
64	0400464	5/16 HELICAL FLAT WASHER ZP	4
65	0400480	3/8 FLAT WASHER ZP	8
66	0710198	BRACKET, MRKR LT & HAND HELD REMOTE	2
67	0714324	SUPPORT, LEFT CONTROL	1
68	0714325	SUPPORT, RIHT CONTROL	1
69	0717499	ANGLE MTG WORK LIGHT BOOM (Not Shown)	1
70	0719115	PANEL, CONTROL STATION UPPER REMOTE	1
71	0806928	CONTROL PANEL WELDMENT	1
72	0807079	PANEL SPACER WELDMENT REMOTE BOX	1
73	0310021	PIGTAIL, PWR-SWITCH (Not Shown)	1
74	0310022	PIGTAIL, GND-SWITCH (Not Shown)	1

**Section I - PARTS (cont'd)**  
**FRONT OUTRIGGER VERTICAL ASSEMBLY**



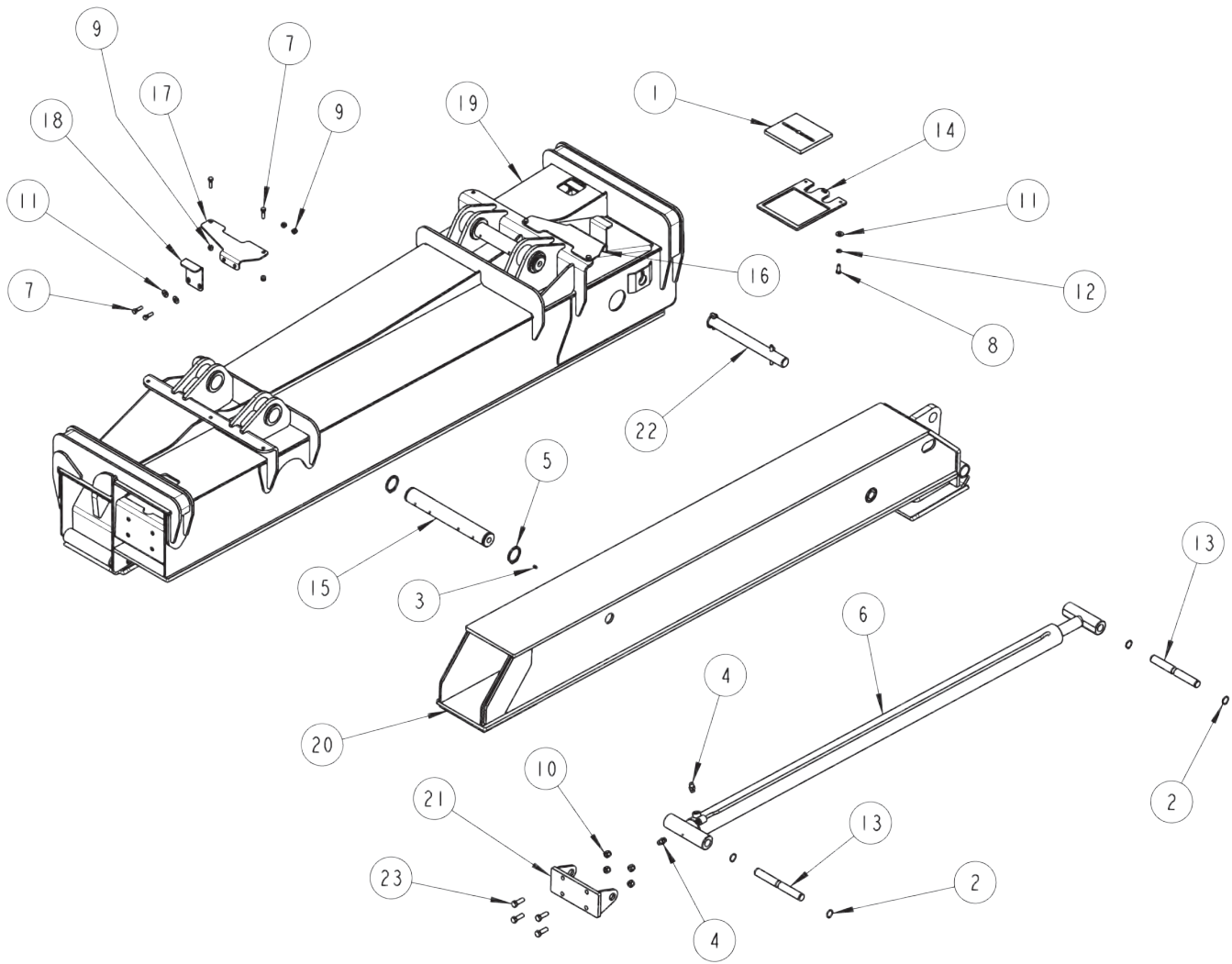
**Section I - PARTS (cont'd)**

**FRONT OUTRIGGER VERTICAL ASSEMBLY**

ITEM	PART NUMBER	DESCRIPTION	QTY
1	0300329	SNAP RING, EXT 2"	4
2	0301470	ELBOW, 6MJ-8MB90	4
3	0310397	VALVE - DIVERTER WALVOIL	2
4	0310479	CYLINDER - OUTRIGGER	2
5	0310480	BULKHEAD 3NJ-BLKHD UNION W/ NUT	4
6	0400122	3/8-16 X 1 1/4 HHCS GR.5 ZP	6
7	0400367	1/4-20 NYLOCK HEX NUT ZP	6
8	0400392	3/8-16 NYLOCK HEX NUT ZP	6
9	0722169	PIN OUTRIGGER CYLINDER BASE	2
10	0722170	PIN OUTRIGGER CYLINDER ROD	2
11	0722173	PLATE CAM VALVE MOUNTING	2
12	0722381	ANGLE BULKHEAD	2
13	0807446	FRONT LT O/R VERTICAL OUTER WLMT	1
14	0807447	FRONT RT O/R VERTICAL OUTER WLMT	1
15	0807449	FRONT OUTRIGGER VERTICAL INNER WLMT	2
16	0910188	2-STAGE FRONT OUTRIGGER ASSY	1
17	9041010	1/4-20NC X 2.25 GR8 ZP	6
18	HD0151	SNAP RING - 2" INTERNAL	4

# Section I - PARTS (cont'd)

## 2-STAGE FRONT OUTRIGGER HORIZONTAL ASSEMBLY



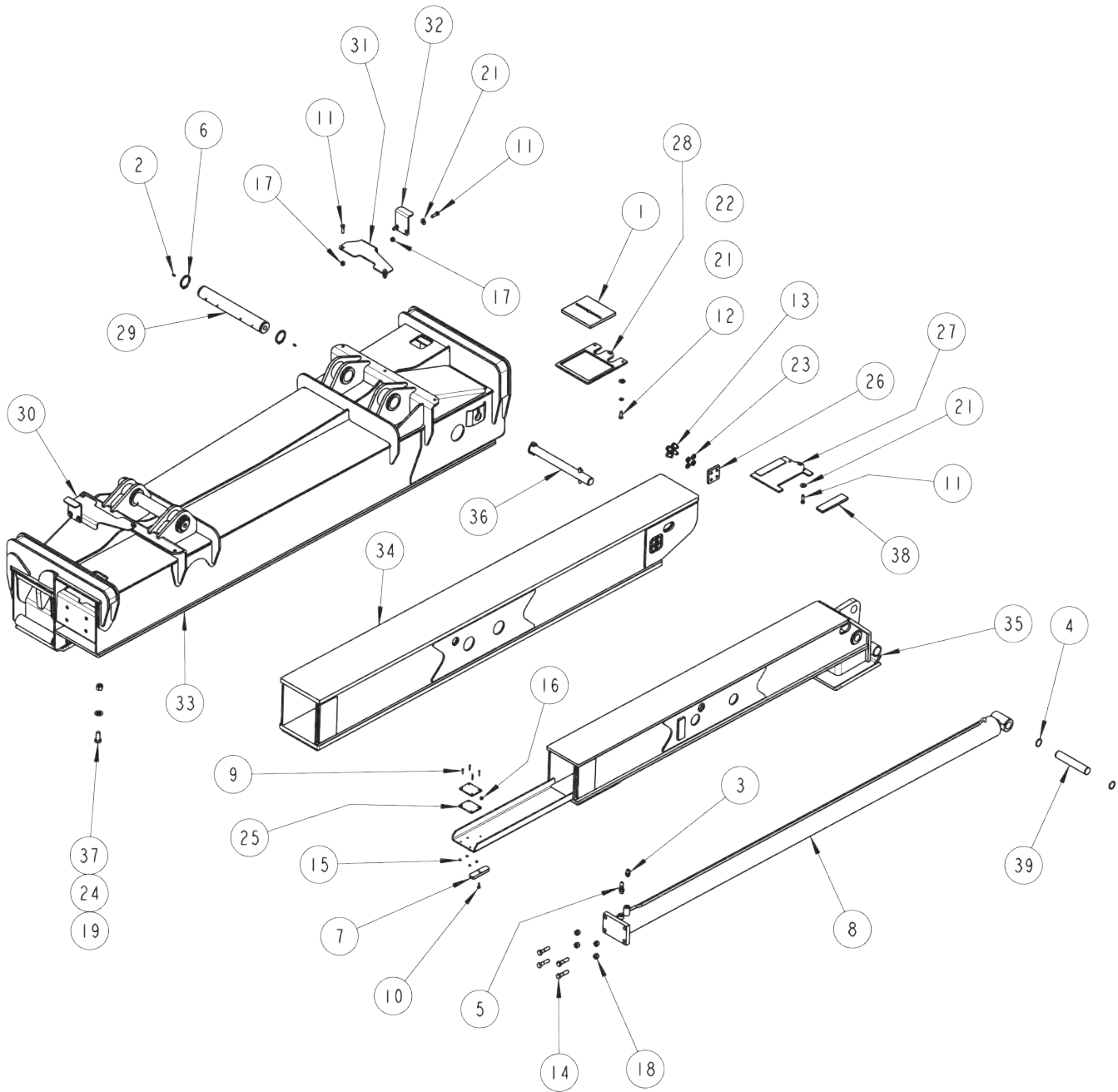
## Section I - PARTS (cont'd)

### 2-STAGE FRONT OUTRIGGER HORIZONTAL ASSEMBLY

ITEM	PART NUMBER	DESCRIPTION	QTY
1	535-050001	NYLATRON PAD	2
2	0300110	SNAP RING, 1"	8
3	0300113	GREASE FITTING, 1/4-28 STRAIGHT	4
4	0301522	CONNECTOR 6MJ-6MB	4
5	0302776	SNAP RING - EXTERNAL 2"	4
6	0307639	CYLINDER - MAIN BOOM EXTEND	2
7	0400122	3/8-16 X 1 1/4 HHCS GR.5,ZP	8
8	0400126	3/8-16 X 1 HHCS GR.5,ZP	4
9	0400392	3/8-16 NYLOCK HEX NUT ZP	8
10	0400416	1/2-13 NYLOCK HEX NUT GR.8, ZP	8
11	0400480	3/8 FLAT WASHER ZP	8
12	0400482	3/8 HELICAL LOCK WASHER ZP	4
13	0703137	SHAFT, EXT CYL	4
14	0721781	PLATE - PAD CAGE	2
15	0721987	PIN OUTRIGGER PIVOT	2
16	0721989	PLATE CAM MOUNTING	1
17	0722124	PLATE - RIGHT CAM MOUNTING	1
18	0722174	ANGLE CAM MOUNTING	2
19	0807354	FRONT OUTRIGGER BOX WELDMENT	1
20	0807357	FRONT OUTRIGGER 2ND STAGE WELDMENT	2
21	0807358	CYLINDER ADAPTER WELDMENT	2
22	0910190	LOCK PIN ASSEMBLY	2
23	9041403	1/2-13 X 1-1/2 HHCS GR 8 ZP	8

# Section I - PARTS (cont'd)

## 3-STAGE FRONT OUTRIGGER HORIZONTAL ASSEMBLY

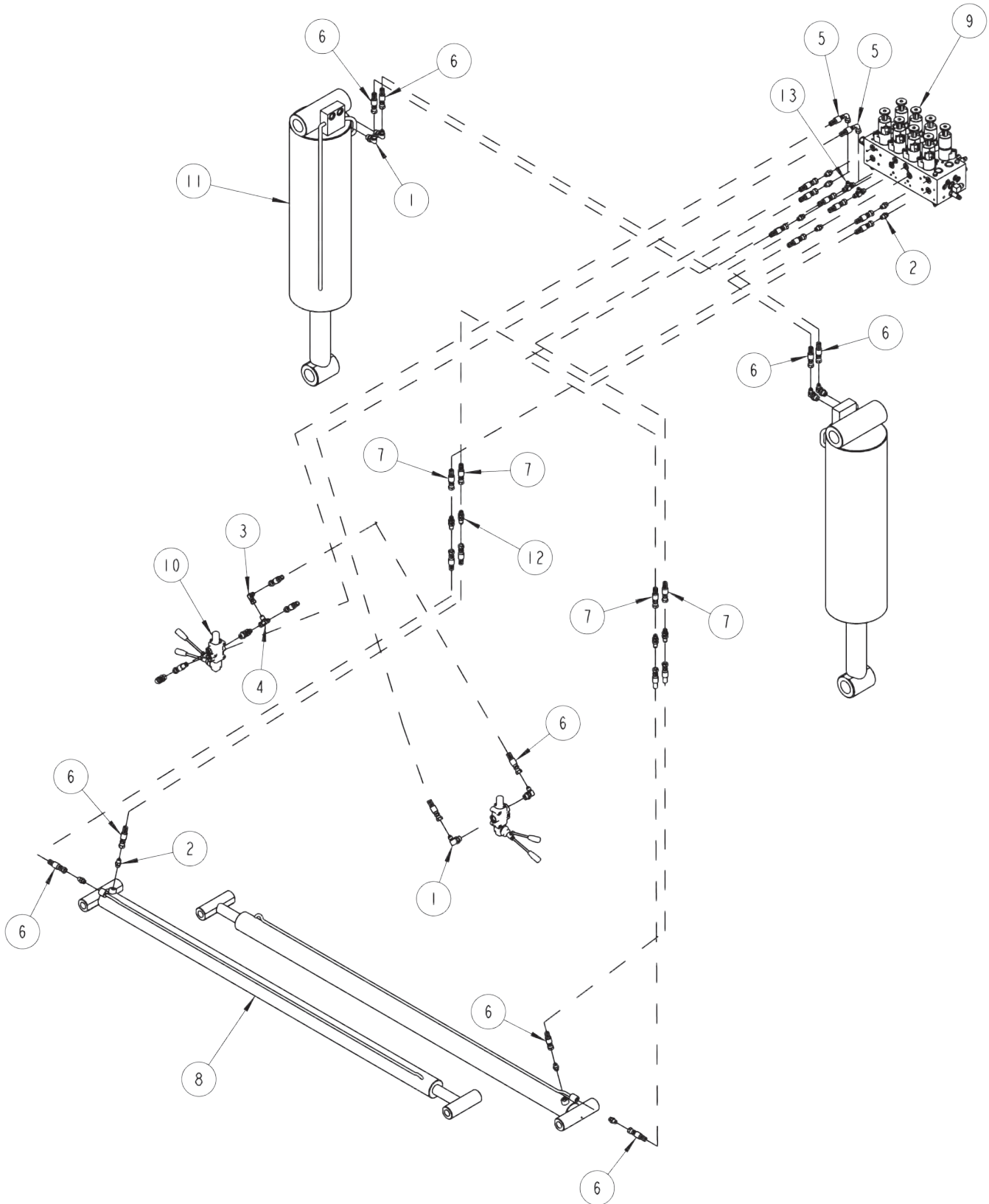


## Section I - PARTS (cont'd)

### 3-STAGE FRONT OUTRIGGER HORIZONTAL ASSEMBLY

ITEM	PART NUMBER	DESCRIPTION	QTY
1	535-0500001	NYLATRON PAD	2
2	0300113	GREASE FITTING, 1/4-28 STRAIGHT	4
3	0301522	CONNECTOR 6MJ-6MB	2
4	0301642	SNAP RING, 1-1/4"	4
5	0302509	ELBOW, 6MJ-6MB90	2
6	0302776	SNAP RING - EXTERNAL 2"	4
7	0303490	WEAR PAD (1/2 X 1 X 4)	2
8	0310396	HYDRAULIC CYLINDER	2
9	0400017	SCREW, #8-32 X 1" RD HD PHIL MACH ZP	8
10	0400066	1/4-20 X 3/4 HHCS GR.5,ZP	2
11	0400122	3/8-16 X 1 1/4 HHCS GR.5,ZP	12
12	0400126	3/8-16 X 1 HHCS GR.5,ZP	4
13	0400239	1/2-13 X 3/4 HHCS GR 5 ZP	16
14	0400343	1/2-13 X 2 HHCS GR.8,ZP	8
15	0400351	#8-32 HEX NUT W/ STAR WASHER, ZP	8
16	0400367	1/4-20 NYLOCK HEX NUT ZP	2
17	0400392	3/8-16 NYLOCK HEX NUT ZP	8
18	0400416	1/2-13 NYLOCK HEX NUT GR.8, ZP	8
19	0400426	5/8-11 NYLOCK NUT GR.8 ZP	2
20	0400451	1/4 FLAT WASHER ZP	2
21	0400480	3/8 FLAT WASHER ZP	12
22	0400482	3/8 HELICAL LOCK WASHER ZP	8
23	0400491	1/2 HELICAL LOCK WASHER ZP	16
24	0400503	5/8 FLAT WASHER GR.8	2
25	0703277	SLIDER PAD	4
26	0717869	PLATE - SPACER (BOLT-ON)	4
27	0719462	PLATE - PAD CAGE	2
28	0721781	PLATE - PAD CAGE	2
29	0721987	PIN OUTRIGGER PIVOT	2
30	0721989	PLATE CAM MOUNTING	1
31	0722124	PLATE - RIGHT CAM MOUNTING	1
32	0722174	ANGLE CAM MOUNTING	2
33	0807354	FRONT OUTRIGGER BOX WELDMENT	1
34	0807355	FRONT OUTRIGGER MID STAGE WELDMENT	2
35	0807356	FRONT OUTRIGGER 3RD STAGE WELDMENT	2
36	0910190	LOCK PIN ASSEMBLY	2
37	9043950	5/8-11X1-1/2	2
38	896040002	NYLATRON PAD	4
39	897400002	PIN-FRONT-BOOM EXT.	2

# Section I - PARTS (cont'd) FRONT OUTRIGGER HYDRAULICS





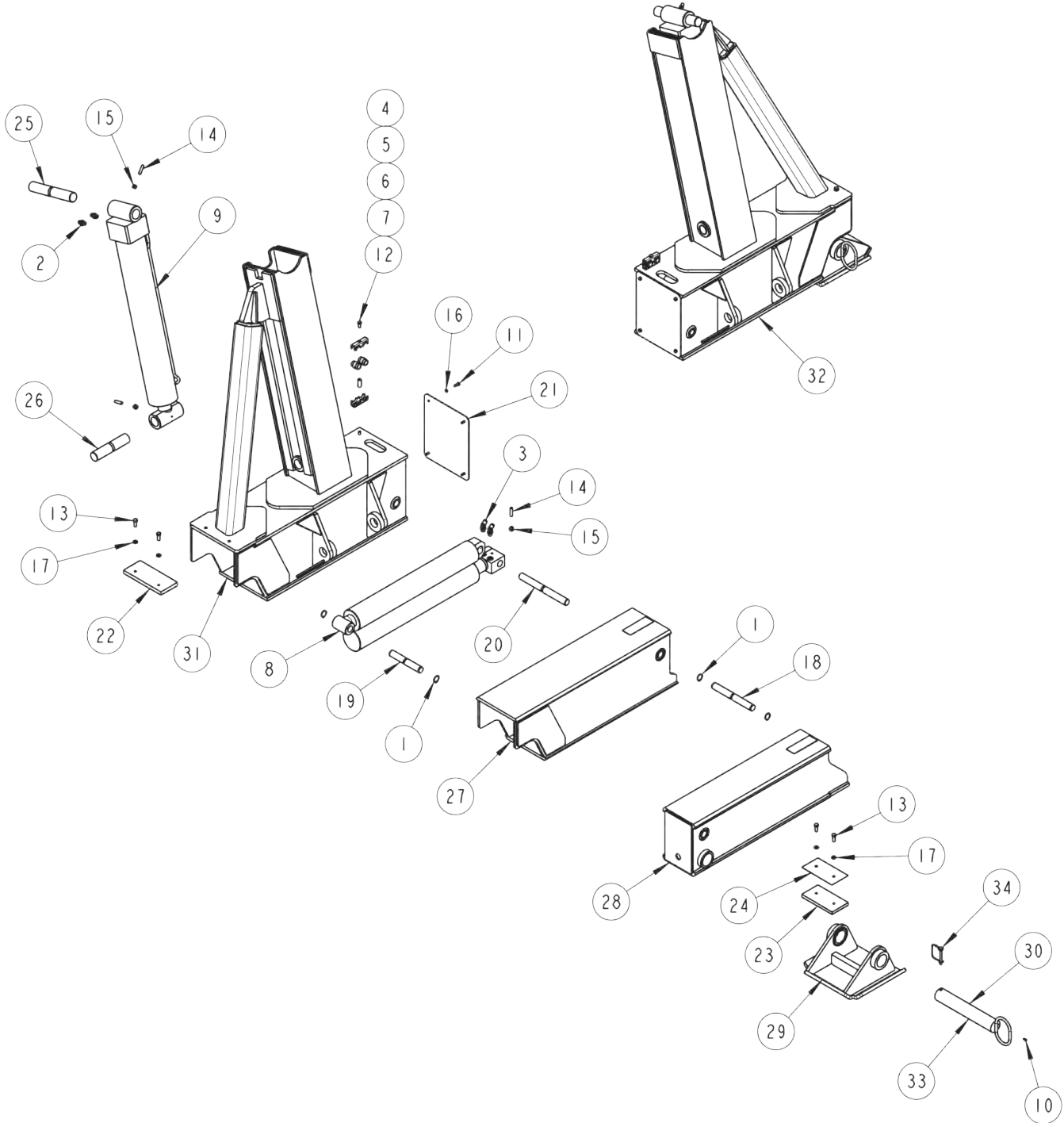
**Section I - PARTS (cont'd)**

**FRONT OUTRIGGER HYDRAULICS**

ITEM	PART NUMBER	DESCRIPTION	QTY
1	0301470	ELBOW, 6MJ-8MB908	
2	0301522	CONNECTOR 6MJ-6MB	14
3	0301696	ELBOW, 6MJ-6FJX90	1
4	0301781	TEE, SWIVEL NUT RUN	1
5	0303170	HOSE ASSY - 75" LG.	2
6	0303185	6G 6FJX 90S 16	
7	0303188	6G 6FJX 90S 4	
8	0307639	CYLINDER - MAIN BOOM EXTEND	2
9	0310358	VALVE - SOLENOID 12V OUTRIG CTRL	1
10	0310397	VALVE - DIVERter WALVOIL	2
11	0310479	CYLINDER - OUTRIGGER	2
12	0310480	BULKHEAD 3NJ-BLKHD UNION W/ NUT	4
13	9012594	FITTING, HYD RUN TEE, 6MJ-6MB-6MJ	6

# Section I - PARTS (cont'd)

## 3-STAGE REAR OUTRIGGER ASSEMBLY



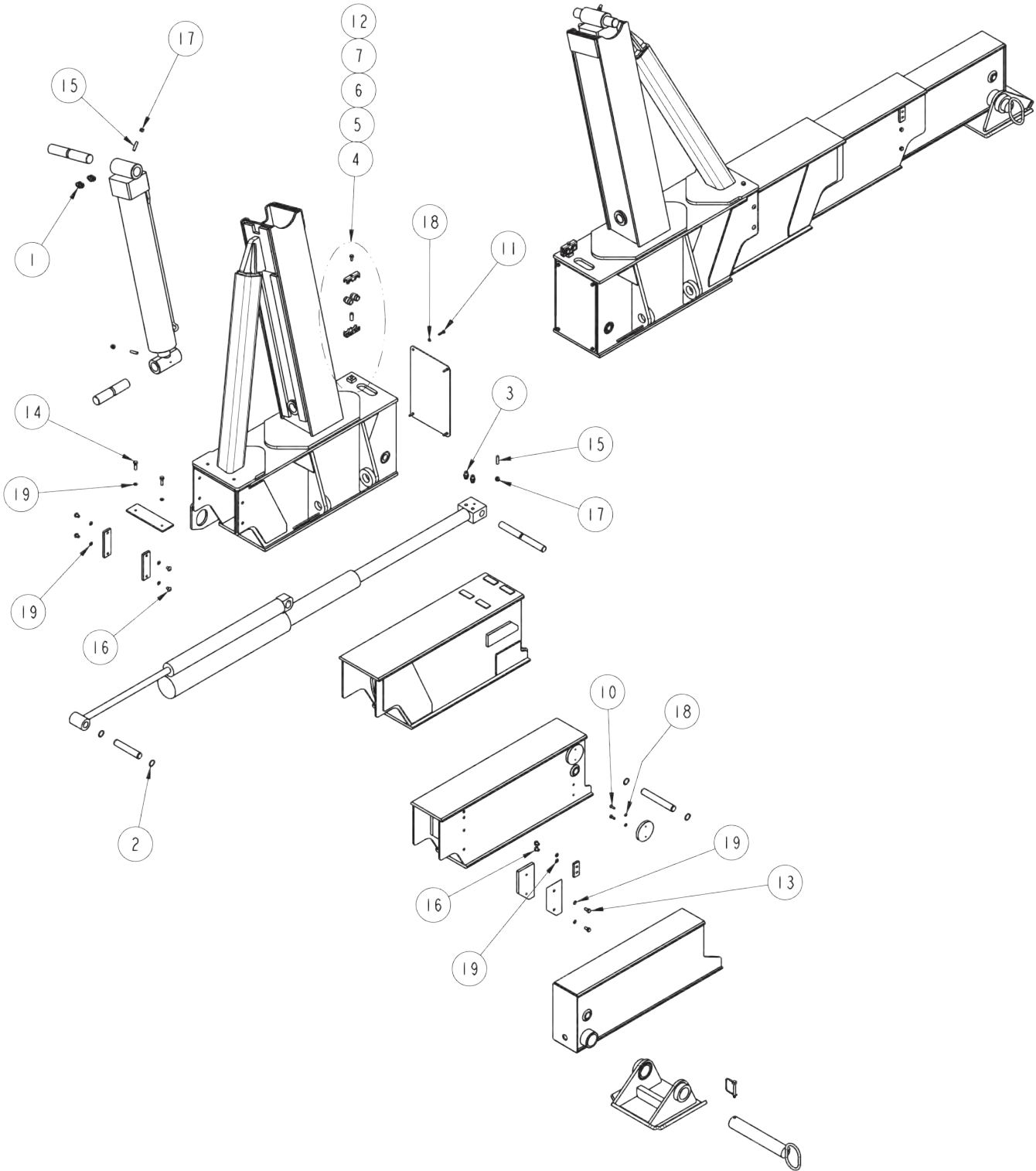
## Section I - PARTS (cont'd)

### 3-STAGE REAR OUTRIGGER ASSEMBLY

ITEM	PART NUMBER	DESCRIPTION	QTY
1	0300110	SNAP RING, 1"	8
2	0301522	CONNECTOR 6MJ-6MB	4
3	0302509	ELBOW, 6MJ-6MB90	4
4	0302546	CLAMPING UNIT (SET) HC-10-2	4
5	0302550	SPLIT BUSH RUBBER C-SB10-12 3/4	4
6	0302551	SOCKET HEAD C-SN-10	2
7	0302552	WELD ADAPTER, C-WA-10	2
8	0307001	CYLINDER, TWIN	2
9	0310395	HYD CYLINDER, SPADE	2
10	0400044	DRIVE SCREW, #10-24 X 1/2" RD HD	2
11	0400066	1/4-20 X 3/4 HHCS GR.5,ZP	8
12	0400118	5/16-18 X 3/4 HHCS GR.5 ZP	2
13	0400126	3/8-16 X 1 HHCS GR.5,ZP	8
14	0400139	SCREW, 3/8"-16 X 1-1/2" HEX SKT SET	6
15	0400392	3/8-16 NYLOCK HEX NUT ZP	6
16	0400452	1/4 HELICAL LOCK WASHER ZP	8
17	0400482	3/8 HELICAL LOCK WASHER ZP	8
18	0703457	SHAFT, JACK CYLINDER UPPER	2
19	0705499	SHAFT, UPPER SPADE	2
20	0707117	SHAFT - UPPER SPADE	2
21	0716141	COVER - OUTER HORIZ OUTRIGGER	2
22	0716644	SPACER - TOP	2
23	0716645	SPACER - BOTTOM	2
24	0717855	SHIM BOTTOM	4
25	0721901	PIN OUTRIGGER TOP	2
26	0721902	PIN OUTRIGGER BOTTOM	2
27	0804419	2ND STAGE OUTRIGGER BOOM WLMT	2
28	0804420	3RD STAGE OUTRIGGER BOOM WLD	2
29	0805892	REAR OUTRIGGER PAD	2
30	0805893	PIN WLDT REAR OUTRIGGER PAD	2
31	0807389	LEFT REAR 3-STAGE O/R WELDMENT	1
32	0807390	RIGHT REAR 3-STAGE O/R WELDMENT	1
33	0906963	PIN REAR OUTRIGGER PAD ASSY	2
34	HD1259	SAFETY SNAP PIN	2

# Section I - PARTS (cont'd)

## 4-STAGE REAR OUTRIGGER ASSEMBLY

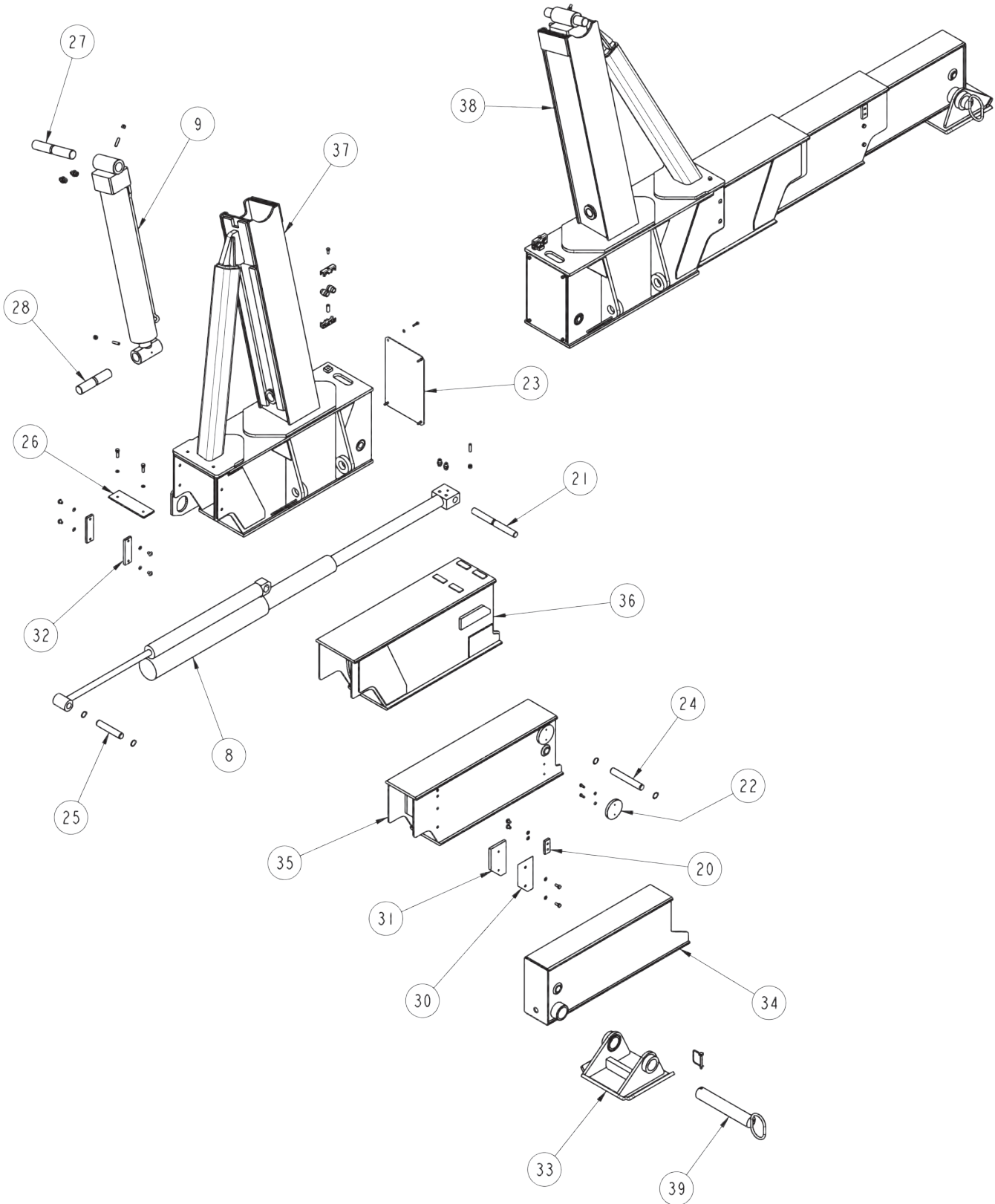


## Section I - PARTS (cont'd)

### 4-STAGE REAR OUTRIGGER ASSEMBLY

ITEM	PART NUMBER	DESCRIPTION	QTY
1	0300044	CONNECTOR 6MJX8MB	4
2	0300110	SNAP RING, 1"	8
3	0301522	CONNECTOR 6MJ-6MB	4
4	0302546	CLAMPING UNIT (SET) HC-10-2	4
5	0302550	SPLIT BUSH RUBBER C-SB10-12 3/4	4
6	0302551	SOCKET HEAD C-SN-10	2
7	0302552	WELD ADAPTER, C-WA-10	2
8	0310322	CYLINDER - TELESCOPING PIGGYBACK	2
9	0310395	HYD CYLINDER, SPADE	2
10	0400066	1/4-20 X 3/4 HHCS GR.5,ZP	16
11	0400070	1/4-20 X 1 HHCS GR5 ZP	8
12	0400118	5/16-18 X 3/4 HHCS GR.5 ZP	2
13	0400121	3/8-16NC X 3/4 HHCS GR. B	8
14	0400122	3/8-16 X 1 1/4 HHCS GR.5,ZP	4
15	0400139	SCREW, 3/8"-16 X 1-1/2" HEX SKT SET	6
16	0400228	SCREW, 3/8"-24 X 5/8" BUTTON HEAD SKT	16
17	0400392	3/8-16 NYLOCK HEX NUT ZP	6
18	0400452	1/4 HELICAL LOCK WASHER ZP	24
19	0400481	LOCKWASHER, 3/8" EXT TOOTH	28
20	0703231	STOP BLOCK	4
21	0707117	SHAFT - UPPER SPADE	2
22	0721534	TEL BLOCK, STAGE 3	8
23	0721551	STAGE 1 ENDCAP	2
24	0721559	SHAFT	2
25	0721560	SHAFT	2
26	0721626	SHIM	2
27	0721901	PIN OUTRIGGER TOP	2
28	0721902	PIN OUTRIGGER BOTTOM	2
29	0722287	PLATE, RETAINING	2
30	0722933	SHIM SIDE	4
31	0722934	SPACER - SIDE	4
32	0722970	PAD, SPACER	4
33	0805892	REAR OUTRIGGER PAD	2
34	0807311	STAGE 1 ASSY WLDMT	2
35	0807312	STAGE 3 ASSY WLDMT	2
36	0807313	STAGE 2 ASSY WLDMT	2
37	0807593	STAGE 1 ASSEMBLY WLMT (LH)	1
38	0807594	STAGE 1 ASSEMBLY WLMT (LT)	1
39	0906963	PIN REAR OUTRIGGER PAD ASSY	2
40	6G-6FJX	6G 6FJX 90S	8

**Section I - PARTS (cont'd)**  
**4-STAGE REAR OUTRIGGER ASSEMBLY (cont'd)**

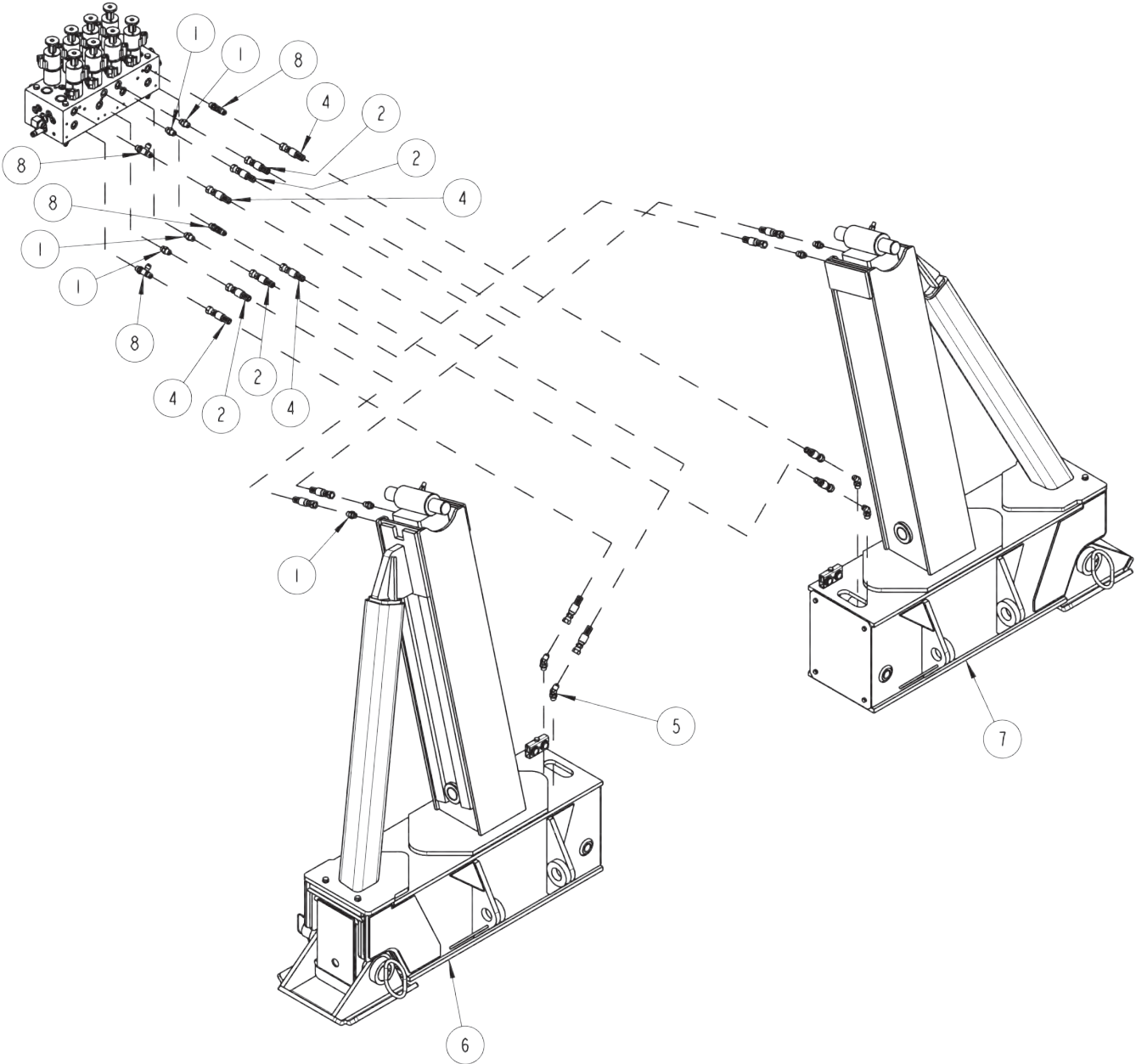


## Section I - PARTS (cont'd)

### 4-STAGE REAR OUTRIGGER ASSEMBLY (cont'd)

ITEM	PART NUMBER	DESCRIPTION	QTY
1	0300044	CONNECTOR 6MJX8MB	4
2	0300110	SNAP RING, 1"	8
3	0301522	CONNECTOR 6MJ-6MB	4
4	0302546	CLAMPING UNIT (SET) HC-10-2	4
5	0302550	SPLIT BUSH RUBBER C-SB10-12 3/4	4
6	0302551	SOCKET HEAD C-SN-10	2
7	0302552	WELD ADAPTER, C-WA-10	2
8	0310322	CYLINDER - TELESCOPING PIGGYBACK	2
9	0310395	HYD CYLINDER, SPADE	2
10	0400066	1/4-20 X 3/4 HHCS GR.5,ZP	16
11	0400070	1/4-20 X 1 HHCS GR5 ZP	8
12	0400118	5/16-18 X 3/4 HHCS GR.5 ZP	2
13	0400121	3/8-16NC X 3/4 HHCS GR. B	8
14	0400122	3/8-16 X 1 1/4 HHCS GR.5,ZP	4
15	0400139	SCREW, 3/8"-16 X 1-1/2" HEX SKT SET	6
16	0400228	SCREW, 3/8"-24 X 5/8" BUTTON HEAD SKT	16
17	0400392	3/8-16 NYLOCK HEX NUT ZP	6
18	0400452	1/4 HELICAL LOCK WASHER ZP	24
19	0400481	LOCKWASHER, 3/8" EXT TOOTH	28
20	0703231	STOP BLOCK	4
21	0707117	SHAFT - UPPER SPADE	2
22	0721534	TEL BLOCK, STAGE 3	8
23	0721551	STAGE 1 ENDCAP	2
24	0721559	SHAFT	2
25	0721560	SHAFT	2
26	0721626	SHIM	2
27	0721901	PIN OUTRIGGER TOP	2
28	0721902	PIN OUTRIGGER BOTTOM	2
29	0722287	PLATE, RETAINING	2
30	0722933	SHIM SIDE	4
31	0722934	SPACER - SIDE	4
32	0722970	PAD, SPACER	4
33	0805892	REAR OUTRIGGER PAD	2
34	0807311	STAGE 1 ASSY WLDMT	2
35	0807312	STAGE 3 ASSY WLDMT	2
36	0807313	STAGE 2 ASSY WLDMT	2
37	0807593	STAGE 1 ASSEMBLY WLMT (LH)	1
38	0807594	STAGE 1 ASSEMBLY WLMT (LT)	1
39	0906963	PIN REAR OUTRIGGER PAD ASSY	2
40	6G-6FJX	6G 6FJX 90S	8

**Section I - PARTS (cont'd)**  
**REAR OUTRIGGER HYDRAULICS**





## Section I - PARTS (cont'd)

### REAR OUTRIGGER HYDRAULICS

ITEM	PART NUMBER	DESCRIPTION	QTY
1	0301522	CONNECTOR 6MJ-6MB	14
2	0302056	HOSE ASSY - 183" LG.	4
3	0302085	FITTING 12MJ-10MB90	1
4	0302372	HOSE ASSY - 240" LG.	4
5	0302509	ELBOW, 6MJ-6MB90	4
6	0910571	LH 3 STAGE REAR OUTRIGGER	1
7	0910572	RH 3 STAGE REAR OUTRIGGER	1
8	9012594	FITTING, HYD RUN TEE, 6MJ-6MB-6MJ	6

**Section I - PARTS (cont'd)**

**PROPORTIONAL CONTROL KIT W/ SINGLE DRAG WINCH**

ITEM	PART NUMBER	DESCRIPTION	QTY
--	124004178	1140 SNGL DRG LUM PROP CTL KIT	--
--	0910402	BASIC PROP CONT W/ 1DW 1140/25	1
1	0400056	1/4-20X3 HHCS GR5 ZP	2
2	0400367	1/4-20 NYLOK HEX NUT ZP	2
3	0400451	1/4 FLATWASHER ZP	2
4	0723378	PLATE-PIN SUPPORT	2
5	0908138	LEFT CONTROL ASSY (10 HANDLE)	1
6	0910401	KIT, PROP CTL VLV 1125/40 1DW	1
7	0910426	HOSE KIT, 1130/40 VALVE	1
8	0910614	VALVE - U/L CONTROL	1
9	0910615	OUTRIGGER CONT VALVE KIT	1
10	0910624	CONTROL LINK KIT L/R	1
11	0910635	OUTRIGGER BLEED VALVE ASSY	1
--	0910434	SHIP KIT,1140 PROP CTL NON-HSC	--
12	0301451	GROUND CABLE	4
13	0302750	HARNESS, GROUND CABLE	4
14	0307119	PUMP - HYDRAULIC	1
15	0310020	WIRING HARNESS,OUTRIG FUNCTION	1
16	0908675	KIT, REMOTE NOT THERE LAMP	1
17	0908847	KNOB DECAL PANEL(10 HNDL) KIT	1
18	0910477	1125/40 AIR CNTL ASSY-SGL DRAG	1
19	0910527	KIT - PUMP 1140 1	1
20	0910712	PARTS-PROPORTIONAL WIRING	1
21	9024041	SWITCH-McGILL 0852-0110	1
22	9032006	WEATHER STRIP 3/16 X 1/2	20

**Section I - PARTS (cont'd)**

**PROPORTIONAL CONTROL KIT W/ DUAL DRAG WINCH**

ITEM	PART NUMBER	DESCRIPTION	QTY
--	--	124004207KIT,DUAL DRG LUM PROP CTL 1140	--
--	--	0910404BASIC PROP CONT W/ 2DW 1140/25	--
1	0400056	1/4-20X3 HHCS GR5 ZP	2
2	0400367	1/4-20 NYLOK HEX NUT ZP	2
3	0400451	1/4 FLATWASHER ZP	2
4	0723378	PLATE-PIN SUPPORT	2
5	0908149	CONTROL ASSY, MANUAL-11 HANDLE	1
6	0910403	KIT, PROP CTL VALVE 1130/40 2D	1
7	0910580	HOSE KIT, 1140 VALVE 2DW	1
8	0910614	VALVE - U/L CONTROL	1
9	0910615	OUTRIGGER CONT VALVE KIT	1
10	0910635	OUTRIGGER BLEED VALVE ASSY	1
--	--	0910626SHIP KIT,1140 PROP2CTL NON-HSC	--
11	0301451	GROUND CABLE	4
12	0302750	HARNESS, GROUND CABLE	4
13	0307119	PUMP - HYDRAULIC	1
14	0310020	WIRING HARNESS,OUTRIG FUNCTION	1
15	0908675	KIT, REMOTE NOT THERE LAMP	1
16	0908847	KNOB DECAL PANEL(10 HNDL) KIT	1
17	0910527	KIT - PUMP 1140	1
18	0910625	1125/40 AIR CNTL ASY-DUAL DRAG	1
19	9024041	SWITCH-McGILL 0852-0110	1
20	9032006	WEATHER STRIP 3/16 X 1/2	20

## Section I - PARTS (cont'd)

### HYDRAULIC CYLINDERS

ITEM	PART NUMBER	DESCRIPTION	QTY
1	0302792	CYLINDER, 1140 BOOM LIFT	2
--	0304528	SEAL KIT, 1140 BOOM LIFT CYLINDER	--
2	0303501	CYLINDER, SDU4 EXTEND	1
--	0304590	SEAL KIT, SDU4 EXTEND CYLINDER	--
3	0306743	CYLINDER, 1130 BOOM EXTEND	1
--	0304625	SEAL KIT, 1130 BOOM EXTEND CYLINDER	--
4	0306744	CYLINDER, LDU EXTEND	1
--	0304670	SEAL KIT, LDU EXTEND CYLINDER	--
5	0306746	CYLINDER, UNDERLIFT FOLD	1
--	0304609	SEAL KIT, UNDERLIFT FOLD CYLINDER	--
6	0306747	CYLINDER, 1130 BOOM LIFT	2
--	0304601	SEAL KIT, 1130 BOOM LIFT CYLINDER	--
7	0307001	CYLINDER, 3-STAGE REAR O/R EXTEND	2
--	0304674	SEAL KIT, 3-STAGE REAR O/R EXTEND CYL.	--
8	0307378	CYLINDER, SDU4 TILT	2
--	0304618	SEAL KIT, SDU4 TILT CYLINDER	--
9	0307402	CYLINDER, 1140 BOOM EXTEND	1
--	0310899	SEAL KIT, 1140 BOOM EXTEND CYLINDER	--
10	0307425	CYLINDER, SDU4 LOWRIDER EXTEND	2
--	--	SEAL KIT, LDU LOWRIDER CYLINDER	--
11	0307639	CYLINDER, 2-STAGE FRONT O/R EXTEND	2
--	0310900	SEAL KIT, 2-STAGE FRONT O/R EXTEND CYL.	--
12	0310322	CYLINDER, 4-STAGE REAR O/R EXTEND	2
--	0310901	SEAL KIT, 4-STAGE REAR O/R EXTEND CYL.	--
13	0310395	CYLINDER, REAR O/R LIFT	2
--	0310275	SEAL KIT, REAR O/R LIFT CYLINDER	--
14	0310396	CYLINDER, 3-STAGE FRONT O/R EXTEND	2
--	0310902	SEAL KIT, 3-STAGE FRONT O/R EXTEND CYL.	--
15	0310477	CYLINDER, LDU LIFT	1
--	0310903	SEAL KIT, LDU LIFT CYLINDER	--
16	0310478	CYLINDER, LDU TILT	1
--	0310904	SEAL KIT, LDU TILT CYLINDER	--
17	0310479	CYLINDER, FRONT OUTRIGGER LIFT	2
--	0310905	SEAL KIT, FRONT OUTRIGGER LIFT CYL.	--

**Section I - PARTS (cont'd)**

**HYDRAULIC CYLINDERS (cont'd)**

ITEM	PART NUMBER	DESCRIPTION	QTY
18	0310629	CYLINDER, LDU LOWRIDER EXTEND	2
--	0310906	SEAL KIT, LDU LOWRIDER CYLINDER	--
19	HC0159	CYLINDER, SDU4 LIFT	1
--	0304522	SEAL KIT, SDU4 LIFT CYLINDER	--





**CENTURY®**

Miller Industries Towing Equipment Inc.

8503 Hilltop Drive • Ooltewah, Tennessee 37363 • (423) 238-4171

[www.millerind.com](http://www.millerind.com)