

CENTURY®

LEGENDARY LEADERSHIP



OWNER'S MANUAL

1040S / SDU

INSTALLATION, OPERATION, MAINTENANCE & PARTS

NOTE: MANUAL including SPECIFICATIONS, subject to change without notice
All ratings specified are based on structural factors only,
not vehicle capacities or capabilities.

CENTURY®

Miller Industries Towing Equipment Inc.
8503 Hilltop Drive
Ooltewah, Tennessee 37363

Phone (423) 238-4171 • FAX (423) 238-5371

FORM NO. 0500911
08 / 2000
PRICE \$25.00

LIMITED WARRANTY

MILLER INDUSTRIES TOWING EQUIPMENT INC., hereinafter referred to as MILLER, warrants to the original purchaser that each new MILLER wrecker or other MILLER products will be free from defects in material and workmanship for a period of twelve (12) months from date placed in service, but in no event shall such warranty period exceed twenty-four (24) months from date of manufacture by MILLER. The purchaser must promptly notify MILLER in writing of any failure in material or workmanship. In no event shall MILLER accept such notification later than twenty-four (24) months from date of delivery or twelve (12) months from date placed in service, whichever is earlier.

MILLER's obligation under this warranty, statutory or otherwise, is limited to the repair or replacement at the MILLER factory, or at a point designated by MILLER, of such part or parts as shall appear upon inspection by MILLER to be defective in material or workmanship. New or remanufactured parts will be used for any replacement at MILLER's option. This warranty is not transferable. This warranty does not obligate MILLER to bear the cost of labor or transportation charges in connection with the repair or replacement of any parts found to be defective, nor shall it apply to a product upon which repairs or alterations have been made unless authorized by MILLER.

EXCEPT AS EXPRESSLY SET FORTH IN THIS WARRANTY, MILLER MAKES NO OTHER WARRANTY, EXPRESS OR IMPLIED, AND HEREBY DISCLAIMS ALL OTHER WARRANTIES INCLUDING, BUT NOT LIMITED TO, THE IMPLIED WARRANTIES OF MERCHANTABILITY AND FITNESS FOR A PARTICULAR PURPOSE. MILLER shall in no event be liable for claimed downtime, claimed loss of profits or goodwill, or any other special, incidental, indirect, or consequential damages concerning or relating to any product or parts, whether based on negligence, strict liability, breach of contract, breach of warranty, misrepresentation or any other legal theory, regardless of whether the loss resulted from any general or particular requirement which MILLER knew or had reason to know about at the time of sale.

MILLER MAKES NO WARRANTY, EXPRESS OR IMPLIED, AS TO THE FINISHED PRODUCTS MANUFACTURED OR SUPPLIED BY ANOTHER MANUFACTURER AND SUPPLIED BY MILLER TO PURCHASER, including, but not limited to, any vehicle to which a MILLER product may be affixed or any accessories or wire rope, and MILLER EXPRESSLY DISCLAIMS ANY IMPLIED WARRANTIES OF MERCHANTABILITY OR FITNESS FOR A PARTICULAR PURPOSE AS TO SUCH EQUIPMENT OR PRODUCTS. This language shall in no way affect or diminish the rights of the purchaser to rely on such warranties as are extended by such manufacturers or suppliers. MILLER shall, to the extent permitted under applicable law, pass on to the purchaser such manufacturer's or seller's warranty.

MILLER, whose policy is one of continuous improvement, reserves the right to improve its products through changes in design or materials as it may deem desirable without being obligated to incorporate such changes in products previously sold. This warranty is not intended to cover or include the following items, which are set forth by way of example and not limitation:

- A. Normal deterioration of trim, paint, lettering, and appearance items due to wear or exposure to weather, road conditions, road treatments, etc.
- B. Any damage or defect due to accident, misuse, abuse, improper or unauthorized repairs, failure to provide reasonable and necessary maintenance, or uses for which the equipment was not designed or intended.
- C. Alterations or modifications that affect performance, operation or reliability.
- D. Normal maintenance parts including, but not limited to, wear pads, bushings, wire rope, mud flaps, fenderettes, light bulbs, hydraulic oil, filters, and tow sling belts.

IT IS EXPRESSLY UNDERSTOOD THAT MILLER MAKES NO IMPLIED WARRANTY THAT MILLER PRODUCTS SHALL BE FIT FOR THE PURPOSE OF LIFTING OR MOVING PEOPLE OR FOR ANY OTHER IMPROPER USE.



Miller Industries Towing Equipment Inc.
8503 Hilltop Drive
Ooltewah, Tennessee 37363

SERIAL NUMBER

Telephone (423) 238-4171

Section VI - PARTS

This Section is provided by the manufacturer for the purpose of ordering any component part of the **1040S Wrecker** and **SDU Underlift** that may be required when part replacement is necessary.

Be certain to use only original equipment replacement parts for warranty purposes as well as for keeping your **1040S Wrecker** and **SDU Underlift** in its original state and optimum operating capacities.

When ordering replacement or spare parts be sure to provide the following information to the manufacturer's **Parts Department**.

1. **Manual Number & Date of Publication**
2. **Manual Page Number**
3. **Page Title**
4. **Reference Number of Part Desired**
5. **Part Number**
6. **Part Description**
7. **Quantity of Part Desired**

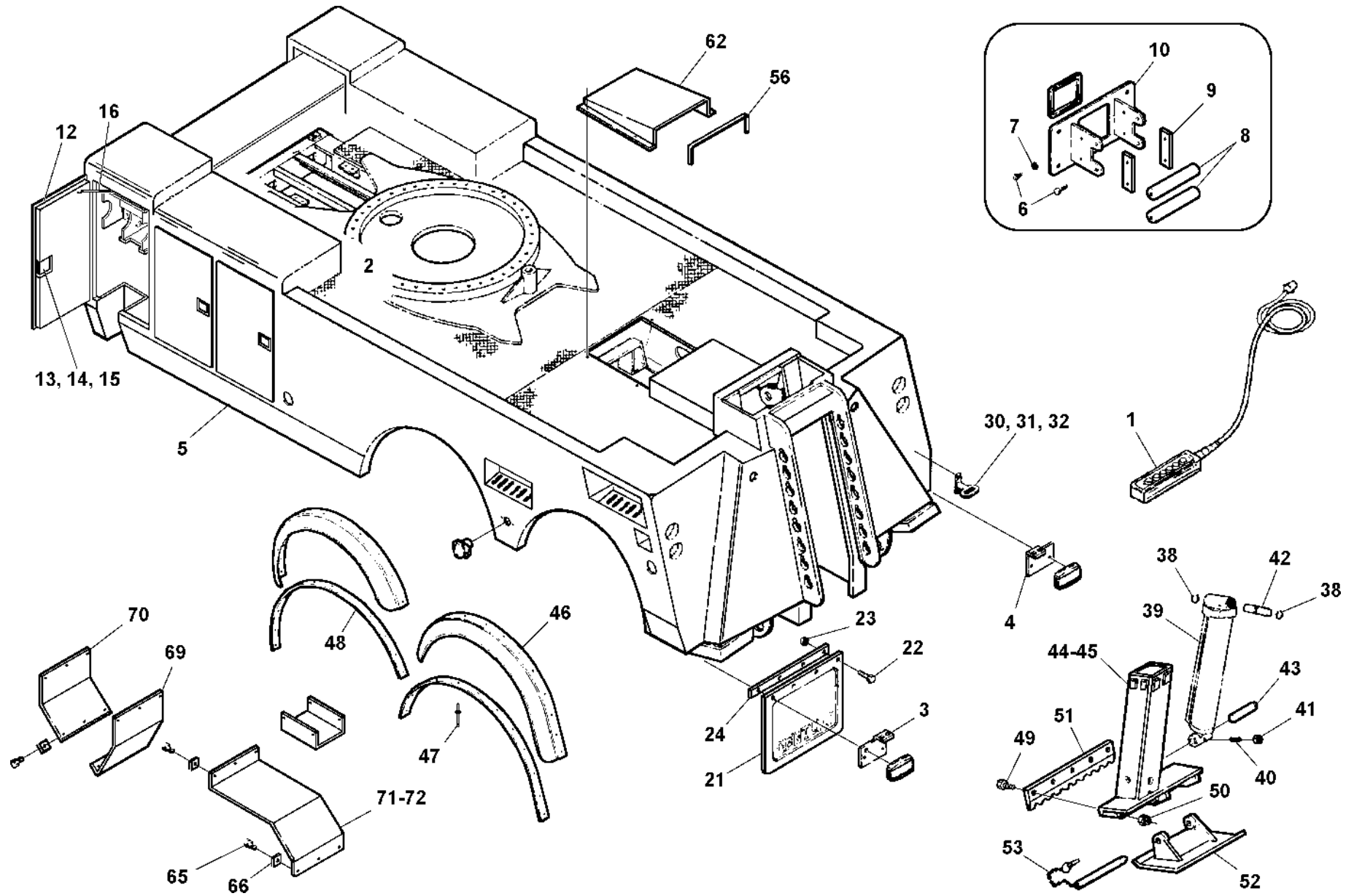
Providing this information will help ensure that the correct parts will be delivered to you in an expedient manner. Should additional information be required for repair or replacement of certain components, contact your Wrecker Manufacturer Authorized Representative.

The Manufacturer reserves the right, without notice or obligation, to improve or modify their products, which may change the specifications, models and feature availability.

Section VI - PARTS (cont'd) BODY ASSEMBLY - 1040S / SDU

Section VI - PARTS (cont'd)

BODY ASSEMBLY - 1040S / SDU



Section VI - PARTS (cont'd)

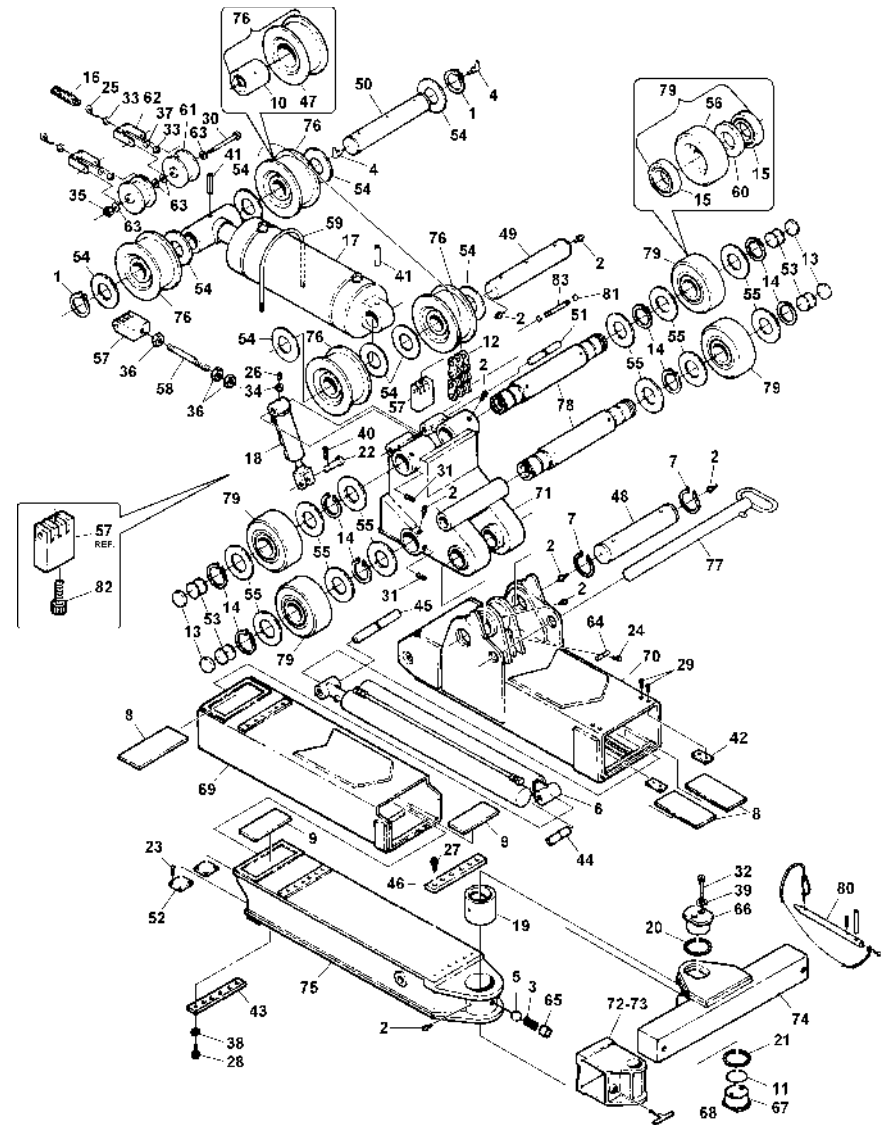
BODY ASSEMBLY - 1040S / SDU

REF. NO.	NO. REQ'D	PART NUMBER	DESCRIPTION
1	1	0301834	HAND CONTROL ASSEMBLY
2	1	0302220	BEARING, A9-49N1
3	1	0700159	BRACKET, REAR CLEARANCE LIGHT, LEFT
4	1	0700160	BRACKET, REAR CLEARANCE LIGHT, RIGHT
5	1	4828051	1040S / SDU BODY WELDMENT
	--	0900894	SDU FAIRLEAD ASSEMBLY
6	8	0400066	SCREW, 1/4"-20 X 3/4" HEX HD CAP
7	8	0400452	LOCKWASHER, 1/4" HELICAL
8	2	0703441	ROLLER, FAIRLEAD
9	2	0703442	SKID, FAIRLEAD
10	1	0801035	BRACKET, FAIRLEAD
	--	0902145	COMPARTMENT KIT - 6 BOX
11	6	0300844	3/4" X 1/8" CLOSED CELL SPONGE W/ADHBK
12	39 FT.	0300032	PLUG, 1" DIA HOLE (NOT SHOWN)
13	6	0302855	TOOL COMPARTMENT LATCH PLAIN
14	24	0400021	SCREW, #8-32 X 1/2" RD HD PHIL MACH
15	24	0400351	NUT, #8-32 HEX & STAR WASHER
	--	0901491	DOOR CHECK KIT
16	6	0301912	11" DOOR CHECK & HOLD BACK
17	12	0400060	SCREW, 1/4"-20 X 1/2" HEX HD CAP
18	12	0400070	SCREW, 1/4"-20 X 1" HEX HD CAP
19	12	0400367	NUT, 1/4"-20 HEX NYLOK
20	12	0400452	LOCKWASHER, 1/4" HELICAL
	--	0902104	MUDFLAP KIT
21	2	0301223	MUDFLAP
22	8	0400122	SCREW, 3/8"-16 X 1-1/4" HEX HD CAP
23	8	0400392	NUT, 3/8"-16 HEX NYLOK
24	2	0705092	BAR, MUDFLAP
	--	0902108	BODY MOUNTING ANGLE KIT (NOT SHOWN)
25	64	0400303	SCREW, 7/8"-9 X 2-1/2" HEX HD CAP
26	64	0400436	NUT, 7/8"-9 HEX NYLOK
27	1	0706012	ANGLE, LEFT BODY MOUNTING
28	1	0706013	ANGLE, RIGHT BODY MOUNTING
29	2	0801057	ANGLE, TAILGATE MOUNTING
	--	0902113	BOARDING STEP KIT
30	2	0300097	STEP, BOARDING
31	4	0400101	SCREW, 5/16"-18 X 1" RD HD SLOTTED
32	4	0400382	NUT, 5/16"-18 HEX NYLOK
	--	0901496	CENTURY NAMEPLATE KIT (NOT SHOWN)
33	6	0400035	SCREW, #10-24 X 1/2" OVAL HD SELF TAP
34	2	0500406	CENTURY NAMEPLATE

REF. NO.	NO. REQ'D	PART NUMBER	DESCRIPTION
	--	0902140	SPADE KIT (LESS HYDRAULICS)
35	4	0300110	SNAP RING, 1"
36	REF.	0300680	CYLINDER, REAR JACK
37	2	0400139	SCREW, 3/8"-16 X 1-1/2" HEX SKT SET
38	2	0400392	NUT, 3/8"-16 HEX NYLOK
39	2	0703457	SHAFT, JACK CYLINDER, UPPER
40	2	0703458	SHAFT, JACK CYLINDER, LOWER
41	1	0801753	INNER JACK TUBE, LEFT
42	1	0801754	INNER JACK TUBE, RIGHT
	--	0902150	RUBBER FENDER KIT
43	28 FT.	0300345	FENDER, RUBBER
44	76	0400566	RIVET, 1/4"
45	4	0706609	RETAINING STRIP, RUBBER FENDER
	--	0902192	SPADE PAD & BLADE KIT
46	10	0400181	SCREW, 1/2"-13 X 1-1/2" HEX HD CAP
47	10	0400408	NUT, 1/2"-13 HEX NYLOK
48	2	0703459	OUTRIGGER BLADE
49	2	0801039	JACK PAD, PIN-ON
50	2	0900910	PIN ASSEMBLY, JACK PAD
	--	4829004	ACCESS COVER KIT
51	2	0300032	PLUG, 1" DIA HOLE (NOT SHOWN)
52	2	0301417	SPRING, PLUNGER PIN
53	10 FT.	0301851	TRIM-LOCK, 1/8"
54	15	0400066	SCREW, 1/4"-20 X 3/4" HEX HD CAP
55	15	0400452	LOCKWASHER, 1/4" HELICAL
56	4	0400492	WASHER, 1/2" FLAT
57	2	0400560	ROLL PIN, 5/32" X 1"
58	1	0700139	HANDLE, JACK
59	1	0801061	LIFT CYLINDER COVER WELDMENT
60	1	4827027	PLATE, VALVE COVER
	--	4829053	MUDGUARD KIT
61	6	0300032	PLUG, 1" DIA HOLE (NOT SHOWN)
62	28	0400066	SCREW, 1/4"-20 X 3/4" HEX HD CAP
63	28	0400369	CLIP, 1/4" TINNEMAN
64	28	0400451	WASHER, 1/4" FLAT
65	28	0400452	LOCKWASHER, 1/4" HELICAL
66	2	0703546	MUD GUARD, REAR HALF
67	2	0703547	MUD GUARD, FRONT HALF
68	1	0706025	MUD GUARD, REAR CONTROL, LEFT
69	1	0706026	MUD GUARD, REAR CONTROL, RIGHT

Section VI - PARTS (cont'd)

SDU ASSEMBLY



Section VI - PARTS (cont'd)

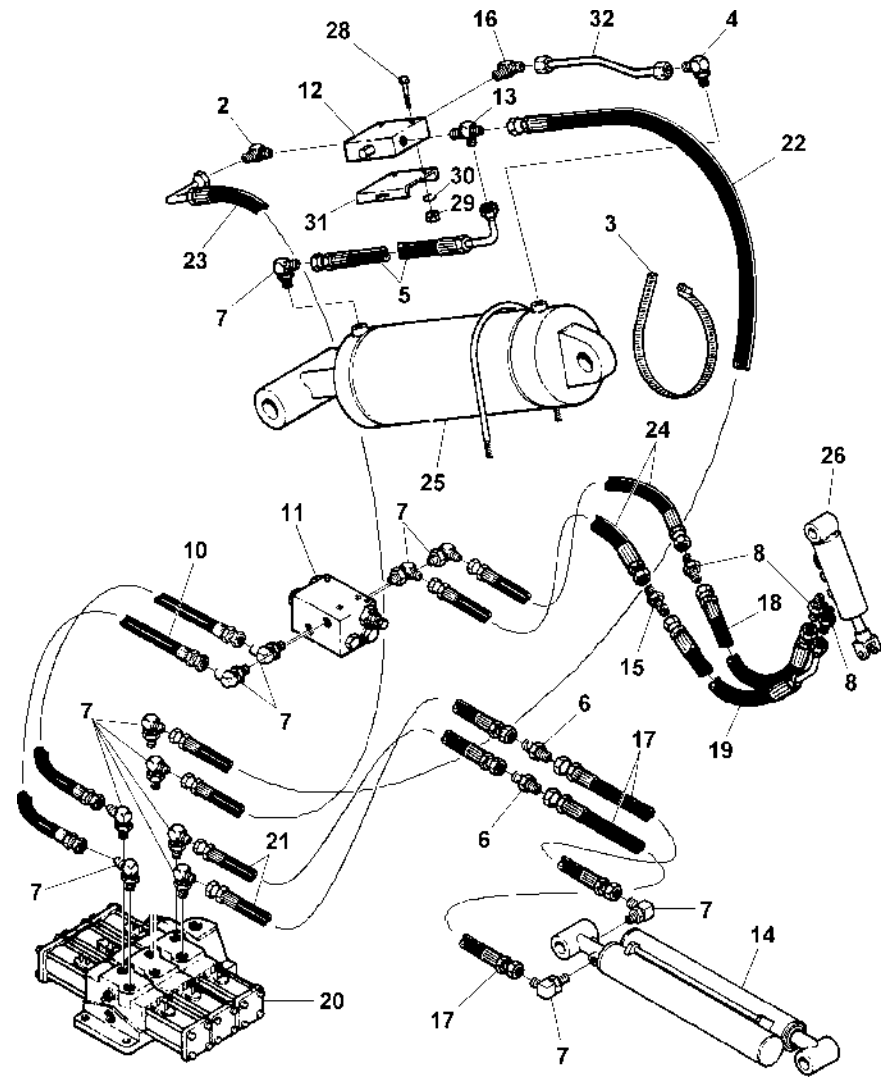
SDU ASSEMBLY

REF. NO.	NO. REQ'D	PART NUMBER	DESCRIPTION
1	2	0300108	SNAP RING, 2-1/2" EXTERNAL
2	10	0300113	GREASE FITTING
3	1	0301197	SPRING, DETENT
4	2	0301397	GREASE FITTING, 90°
5	1	0301398	BALL, DETENT
6	1	0301811	CYLINDER, SDU BOOM EXTENSION
7	2	0301814	SNAP RING, 3-1/2" EXTERNAL
8	3	0301817	SLIDE PAD, HORIZONTAL BOOM (LARGE)
9	2	0301818	SLIDE PAD, HORIZONTAL BOOM (SMALL)
10	4	0301820	BUSHING, CHAIN SHEAVE
11	1	0301822	"O" RING, PIVOT PIN
12	2	0301831	LIFT CHAIN
13	4	0301833	SPACER PAD, ROLLER SHAFT
14	8	0301835	EXT. RETAINING RING, ROLLER SHAFT
15	8	0301838	BEARING, ROLLER
16	4	0301869	SPRING, HOSE TENSIONER PULLEY
17	1	0302352	CYLINDER, SDU BOOM LIFT
18	1	0303042	CYLINDER, SDU BOOM FOLD
19	1	0303088	BUSHING, PIVOT PIN
20	1	0303097	THRUST WASHER, 1/8"
21	1	0303098	THRUST WASHER, 1/16"
22	1	0304246	CLEVIS PIN, FOLD CYLINDER
23	8	0400044	SCREW, #10 X 1/2" TYPE "U" DRIVE
24	1	0400066	SCREW, 1/4"-20 X 3/4" HEX HD CAP
25	4	0400082	EYEBOLT, 1/4"-20 X 1-1/8"
26	3	0400139	SCREW, 3/8"-16 X 1-1/2" SKT HD SET
27	6	0400142	SCREW, 3/8"-16 X 3/4" SKT HD CAP
28	6	0400151	SCREW, 3/8"-24 X 3/4" HEX HD CAP
29	4	0400152	SCREW, 3/8"-24 X 5/8" FLAT SKT HD
30	1	0400190	SCREW, 1/2"-13 X 6-1/2" HEX HD CAP
31	2	0400204	SCREW, 1/2"-13 X 3/4" SKT HD SET, CUP PT
32	2	0400271	SCREW, 5/8"-11 X 4-1/2" SKT HD CAP
33	4	0400367	NUT, 1/4"-20 HEX NYLOK
34	3	0400392	NUT, 3/8"-16 HEX NYLOK
35	1	0400408	NUT, 1/2"-13 HEX NYLOK
36	6	0400445	NUT, 1"-14 HEX
37	2	0400451	WASHER, 1/4" FLAT
38	6	0400481	LOCKWASHER, 3/8" EXT TOOTH
39	2	0400508	LOCKWASHER, 5/8" HELICAL
40	1	0400548	COTTER PIN, 3/16" X 2"
41	2	0400572	SPRING PIN, 1/2" X 4"
42	2	0703231	STOP PLATE, OUTER BOOM

REF. NO.	NO. REQ'D	PART NUMBER	DESCRIPTION
43	1	0703233	STOP PLATE
44	1	0703235	SHAFT, INNER BOOM CYLINDER
45	1	0703236	SHAFT, OUTER BOOM CYLINDER
46	1	0703238	BAR, THIRD STAGE BOOM RETRACTING
47	4	0703239	SHEAVE, LIFT CHAIN
48	1	0703243	SHAFT, BOOM PIVOT
49	1	0703244	SHAFT, CYLINDER END, LIFT CYLINDER
50	1	0703245	SHAFT, ROD END, LIFT CYLINDER
51	1	0703259	SHAFT, VERTICAL BOOM CYLINDER
52	2	0703277	PAD, SLIDER
53	4	0703394	SHIM, ROLLER SHAFT
54	8	0703396	SPACER, SHEAVE WHEEL
55	12	0703397	SPACER, ROLLER
56	4	0703405	ROLLER
57	4	0703407	BRACKET, LIFT CHAIN ATTACHING
58	2	0703415	ROD, CHAIN TENSIONER
59	1	0703416	"U" BOLT, LIFT CYLINDER RETAINING
60	4	0703462	SPACER, ROLLER BEARING
61	2	0703484	PULLEY, HOSE TENSIONER
62	2	0703487	BRACKET, HOSE TENSIONER
63	4	0703488	WASHER, HOSE TENSIONER
64	1	0703583	BAR, HYDRAULIC HOSE RETAINING
65	1	0708470	SPACER, DETENT SPRING
66	1	0710051	PIVOT PIN, TOP HALF
67	1	0710052	PIVOT PIN, BOTTOM HALF
68	2	0800590	TEE HANDLE
69	1	0800998	SECOND STAGE BOOM WELDMENT, SDU
70	1	0801001	OUTER BOOM WELDMENT, SDU
71	1	0801040	VERTICAL BOOM WELDMENT
72	1	0802155	FORK ADAPTER, LEFT OFFSET
73	1	0802156	FORK ADAPTER, RIGHT OFFSET
74	1	0802914	CROSSBAR WELDMENT
75	1	0802915	THIRD STAGE BOOM WELDMENT, SDU
76	4	0900864	SHEAVE ASSEMBLY, LIFT CHAIN
77	1	0900879	SAFETY LOCK PIN ASSEMBLY
78	2	0900880	SHAFT, ROLLER
79	4	0900888	ROLLER & BEARING ASSEMBLY
80	2	0900900	RETAINER PIN ASSEMBLY
81	8	0300358	SCREW, 1"-14NF X 2" SKT HD CAP
82	4	0400317	SNAP RING, 9/16" EXTERNAL
83	2	0703234	PIN, LIFT CHAIN

Section VI - PARTS (cont'd)

SDU HYDRAULICS



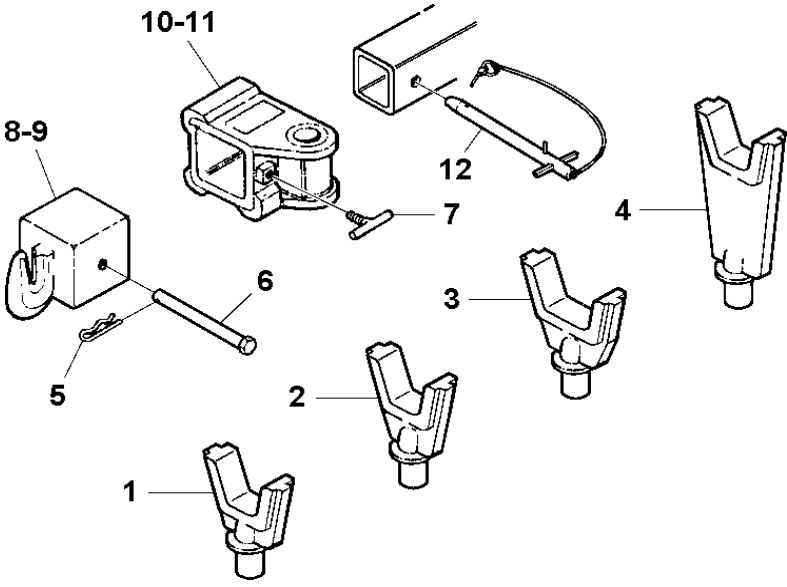
Section VI - PARTS (cont'd)

SDU HYDRAULICS

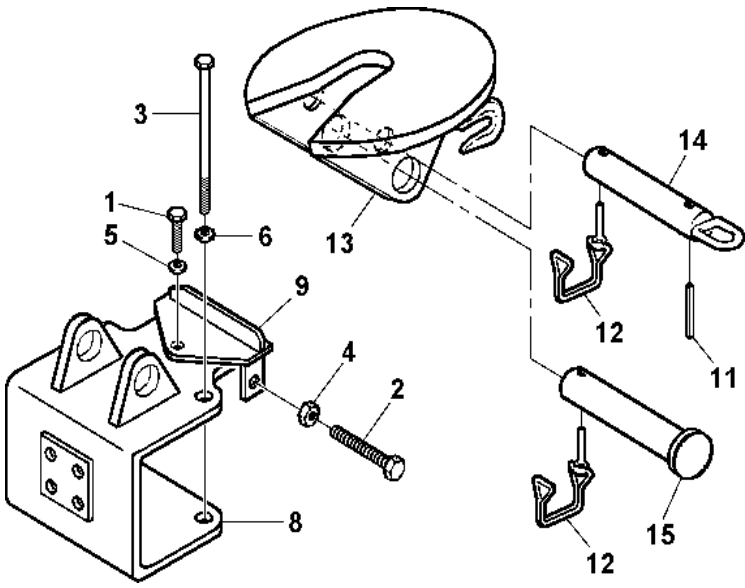
REF. NO.	NO. REQ'D	PART NUMBER	DESCRIPTION
1	20	0300132	CABLE TIE, BLACK (Not Shown)
2	1	0300209	ELBOW, 6MJ-6MP90
3	1	0300644	HOSE CLAMP, 8"
4	1	0300901	ELBOW, 4TB-8MP90
5	1	0301412	HOSE ASSEMBLY, 10-3/4"
6	3	0301422	UNION, 6MJ-6MJ HEX
7	5	0301470	ELBOW, 6MJ-8MB90
8	2	0301522	CONNECTOR, 6MJ-6MB
9	8	0301601	HOSE CLAMP, 5/8" INSULATED (Not Shown)
10	2	0301660	HOSE ASSEMBLY, 21"
11	1	0301730	DOUBLE HOLDING VALVE
12	1	0301731	HOLDING VALVE, 4000 PSI
13	1	0301782	MALE RUN TEE, 6MJ-4MP-6MJ
14	1	0301811	CYLINDER, BOOM EXTENSION
15	1	0301837	INLINE ORIFICE
16	1	0301874	ELBOW, 4TB-6MP90
17	2	0301878	HOSE ASSEMBLY, 137"
18	1	0301879	HOSE ASSEMBLY, 108"
19	3	0301880	HOSE ASSEMBLY, 107"
20	1	0302322	SOLENOID VALVE
21	2	0302326	HOSE ASSEMBLY, 211"
22	1	0302327	HOSE ASSEMBLY, 175"
23	1	0302327	HOSE ASSEMBLY, 175" W/ ADDED LONG 90°
24	2	0302332	HOSE ASSEMBLY, 207"
25	1	0302352	CYLINDER, SDU LIFT
26	1	0303042	CYLINDER, BOOM FOLD
27	54 FT.	0303193	BLACK HOSE "SKUFF" JACKET (Not Shown)
28	2	0400107	SCREW, 5/16"-18 X 2-1/2" HEX HD CAP
29	2	0400382	NUT, 5/16"-18 NYLOK HEX
30	4	0400463	WASHER, 5/16" FLAT
31	1	0703435	PLATE, HOLDING VALVE MOUNTING
32	1	0703545	TUBE, LIFT CYLINDER HOLDING VALVE

Section VI - PARTS (cont'd)

SDU LIFT ADAPTERS



KING PIN & FIFTH WHEEL ADAPTERS



Section VI - PARTS (cont'd)
SDU LIFT ADAPTERS

REF. NO.	NO. REQ'D	PART NUMBER	DESCRIPTION
1	2	0200018	FORK, SHORT 3" OPENING
2	2	0200020	FORK, MEDIUM 3" OPENING
3	2	0200021	FORK, MEDIUM 4-1/2" OPENING
4	2	0200023	FORK, LONG 4-1/2" OPENING
5	2	0400585	HAIR PIN COTTER, 1-1/4"
6	2	0711002	BOLT, MODIFIED 5/8"-11 X 6" w/HOLE
7	4	0800590	TEE HANDLE, FORK ADAPTER
8	1	0801186	CHAIN HOOK ADAPTER, RT
9	1	0801187	CHAIN HOOK ADAPTER, LT
10	1	0803591	OFFSET FORK ADAPTER, LT
11	1	0803592	OFFSET FORK ADAPTER, RT
12	2	0900900	RETAINING PIN ASSEMBLY

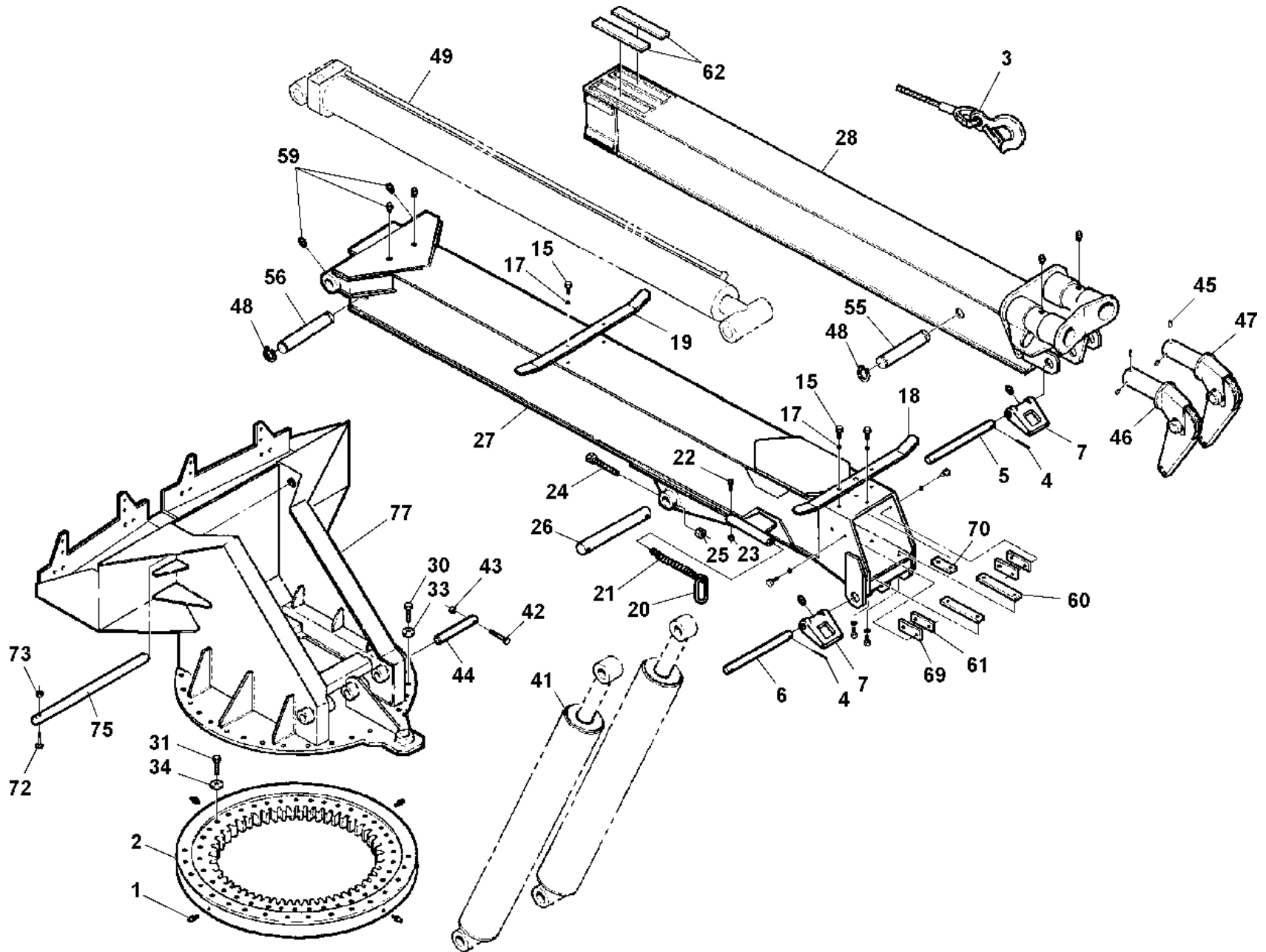
Section VI - PARTS (cont'd)
1040S WRECKER ASSEMBLY

KING PIN & FIFTH WHEEL ADAPTERS

REF. NO.	NO. REQ'D	PART NUMBER	DESCRIPTION
1	1	0400188	SCREW, 1/2"-13 X 2" HEX HD CAP
2	2	0400282	SCREW, 3/4"-10 X 2-3/4" HEX HD CAP
3	2	0400316	SCREW, 7/8"-9 X 8" HEX HD CAP
4	2	0400440	NUT, 3/4"-10 HEX JAM
5	1	0400491	LOCKWASHER, 1/2" HELICAL
6	2	0400515	LOCKWASHER, 7/8" HELICAL
7	1	0706623	ADAPTER, TRAILER KING PIN (Not Shown)
8	1	0802961	BRACKET WELDMENT
9	1	0802962	LOCK PLATE WELDMENT
--	--	0902782	FIFTH WHEEL ADAPTER (COMPLETE)
10	1	0400303	SCREW, 7/8"-9 X 2-1/2" HEX HD CAP
11	1	0400555	ROLL PIN, 3/8" X 1-1/2"
12	2	HD1259	PIN, SNAPPER
13	1	VA0660	5TH WHEEL PIVOT PLATE WELDMENT
14	1	VA0661	PULL PIN WELDMENT
15	1	VA0662	PIVOT PIN WELDMENT

Section VI - PARTS (cont'd)

1040S WRECKER ASSEMBLY



Section VI - PARTS (cont'd)

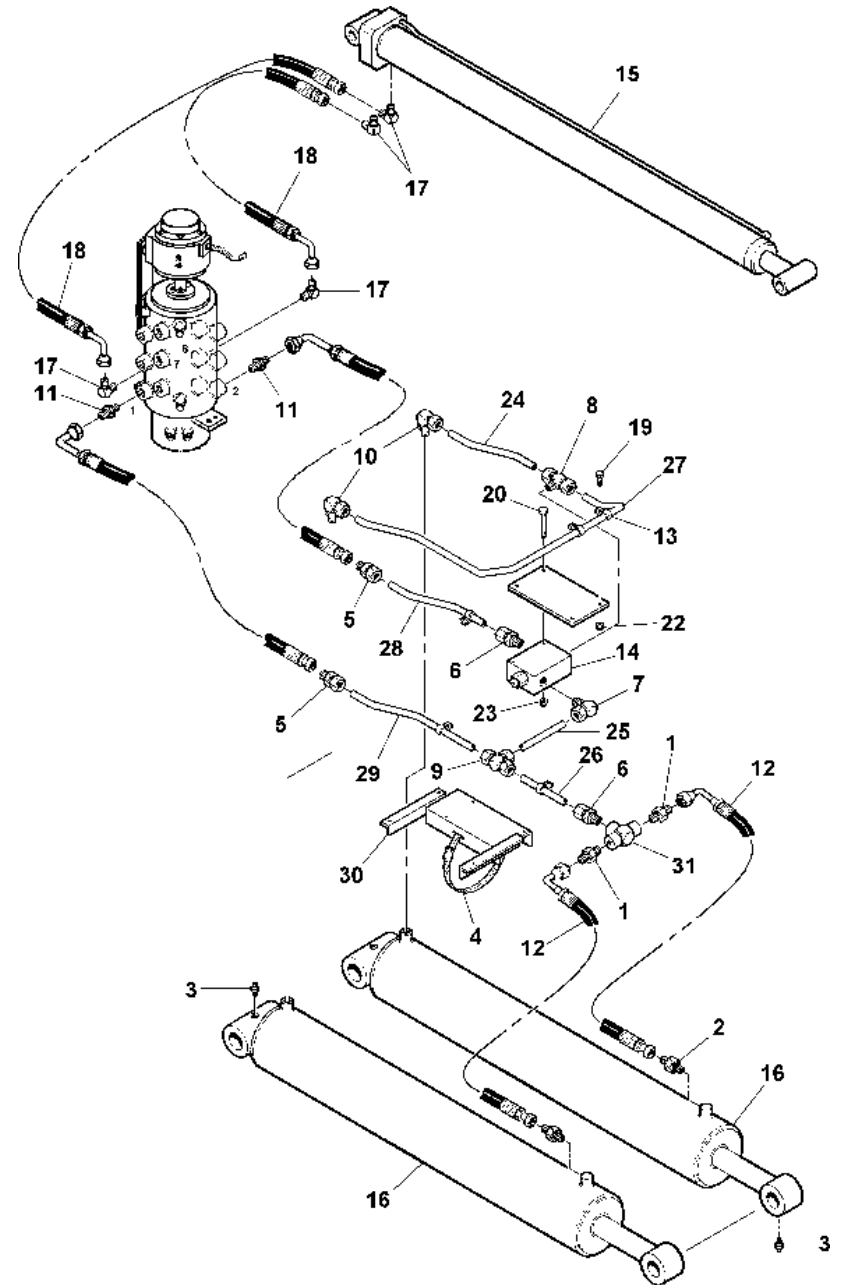
1040S WRECKER ASSEMBLY

REF. NO.	NO. REQ'D	PART NUMBER	DESCRIPTION
1	4	0300113	GREASE FITTING
2	1	0302220	BEARING, A9-49N1
3	2	0302292	WIRE ROPE, 6 X 37 IWRC, 3/4" X 250 FT.
4	2	0400564	ROLL PIN, 3/8" X 1-3/4"
5	1	0710638	"D" RING PIN, INNER BOOM
6	1	0710643	"D" RING PIN, OUTER BOOM
7	4	MM12B	RING, TOWING
	--	0901503	BOOM ANGLE INDICATOR KIT (NOT SHOWN)
8	2	0302267	FLANGE BEARING
9	4	0400066	SCREW, 1/4"-20 X 3/4" HEX HD CAP
10	4	0400367	NUT, 1/4"-20 NYLOK HEX
11	2	0400540	COTTER PIN, 3/32" X 1"
12	1	0705711	PIN, INDICATOR
13	1	0801761	INDICATOR BOX WELDMENT
14	1	0801762	INDICATOR WELDMENT
	--	0901590	WINCH CABLE SUPPORT WING KIT
15	4	0400121	SCREW, 3/8"-16 X 3/4" HEX HD CAP
16	1	0400122	SCREW, 3/8"-16 X 1-1/4" HEX HD CAP
17	4	0400482	LOCKWASHER, 3/8" HELICAL
18	1	0705870	CABLE SUPPORT WING, BOOM END
19	1	0706042	CABLE WING, LONG
	--	0901716	WINCH CABLE STOW KIT
20	2	0301691	MASTER LINK, OBLONG
21	2	0302273	SPRING, WINCH CABLE TIE-BACK
22	2	0400205	SCREW, 1/2"-13 X 3" HEX HD CAP
23	2	0400408	NUT, 1/2"-13 NYLOK HEX
	--	0902093	1040S BOOM ASSEMBLY
24	2	0400167	SCREW, 3/8"-16 X 3-3/4" HEX HD CAP
25	2	0400392	NUT, 3/8"-16 NYLOK HEX
26	2	0700628	SHAFT, LIFT CYLINDER, ROD END
27	1	0801770	OUTER BOOM WELDMENT
28	1	0801773	INNER BOOM WELDMENT
	--	0902137	WRECKER MOUNTING KIT
29	4	0400070	SCREW, 1/4"-20 X 1" HEX HD CAP
30	40	0400333	SCREW, 1"-8 X 4-1/2" HEX HD CAP
31	36	0400336	SCREW, 1"-8 X 3" HEX HD CAP
32	4	0400452	LOCKWASHER, 1/4" HELICAL
33	42	0400522	WASHER, 1-1/16 X 2 X 1/8" HARDENED
34	34	0400523	WASHER, 1-1/16 X 2-1/2 X 1/8" HARDENED
35	2	0801784	ROTARY SWIVEL LOCK (NOT SHOWN)
	--	0902213	WINCH KIT (NOT SHOWN)
36	1	0302957	WINCH, DP #30BBX4L3F, RIGHT
37	1	0302958	WINCH, DP #30BBX4R3F, LEFT
38	16	0400254	SCREW, 5/8"-11 X 2-1/2" HEX HD CAP
39	16	0400421	NUT, 5/8"-11 NYLOK HEX
40	4	0705905	SPACER, DP WINCH MOUNTING

REF. NO.	NO. REQ'D	PART NUMBER	DESCRIPTION
	--	0902232	LIFT CYLINDER KIT (LESS HYDRAULICS)
41	2	0302222	BOOM LIFT CYLINDER
42	2	0400114	SCREW, 5/16"-18 X 3" HEX HD CAP
43	2	0400382	NUT, 5/16"-18 NYLOK HEX
44	2	0706122	SHAFT, LIFT CYLINDER, LOWER
	--	0902259	BOOM SWIVEL KIT
45	6	0400557	ROLL PIN, 1/2" X 1-1/4"
46	1	0901673	BOOM SWIVEL ASSEMBLY, LEFT
47	1	0901674	BOOM SWIVEL ASSEMBLY, RIGHT
	--	0902265	EXTEND CYLINDER KIT (LESS HYDRAULICS)
48	4	0300329	SNAP RING, 2" EXTERNAL
49	1	0302221	BOOM EXTEND CYLINDER
50	4	0400066	SCREW, 1/4"-20 X 3/4" HEX HD CAP
51	2	0400392	NUT, 3/8"-16 NYLOK HEX
52	4	0400451	WASHER, 1/4" FLAT
53	2	0400480	WASHER, 3/8" FLAT
54	2	0703442	SKID, FAIRLEAD ASSEMBLY
55	1	0705908	SHAFT, EXTEND CYLINDER, ROD END
56	1	0705909	SHAFT, EXTEND CYLINDER, BASE END
57	1	0803243	CYLINDER SUPPORT WELDMENT
58	1	0803244	SUPPORT STRAP WELDMENT
	--	0902273	BOOM HARDWARE KIT
59	6	0300113	GREASE FITTING
60	2	0301923	SLIDE PAD, BOOM BOTTOM
61	2	0301924	SLIDE PAD, BOOM SIDE
62	2	0302290	SLIDE PAD, INNER BOOM
63	4	0400126	SCREW, 3/8"-16 X 1" HEX HD CAP
64	2	0400141	SCREW, 3/8"-16 X 7/8" HEX HD CAP
65	4	0400248	SCREW, 5/8"-11 X 1" HEX HD CAP
66	4	0400481	LOCKWASHER, 3/8" EXT.TOOTH
67	6	0400482	LOCKWASHER, 3/8" HELICAL
68	4	0400508	LOCKWASHER, 5/8" HELICAL
69	2	0703734	SHIM, SIDE PLATE, OUTER BOOM
70	1	0705903	TOP SPACER, OUTER BOOM
	--	0902452	1040S WRECKER FRAME ASSEMBLY
71	2	0400060	SCREW, 1/4"-20 X 1/2" HEX HD CAP
72	1	0400206	SCREW, 1/2"-13 X 5" HEX HD CAP
73	1	0400408	NUT, 1/2"-13 NYLOK HEX
74	2	0400452	LOCKWASHER, 1/4" HELICAL
75	1	0705902	SHAFT, BOOM PIVOT
76	1	0705907	PLATE, ACCESS COVER
77	1	0801776	1040S WRECKER FRAME WELDMENT
	--	0901080	SAFETY CHAIN ASSEMBLY (NOT SHOWN)
78	1	0302060	ANCHOR SHACKLE, 1-1/2"
79	2	0302061	SAFETY CHAIN, 5/8" ALLOY

Section VI - PARTS (cont'd)

1040S BOOM HYDRAULICS



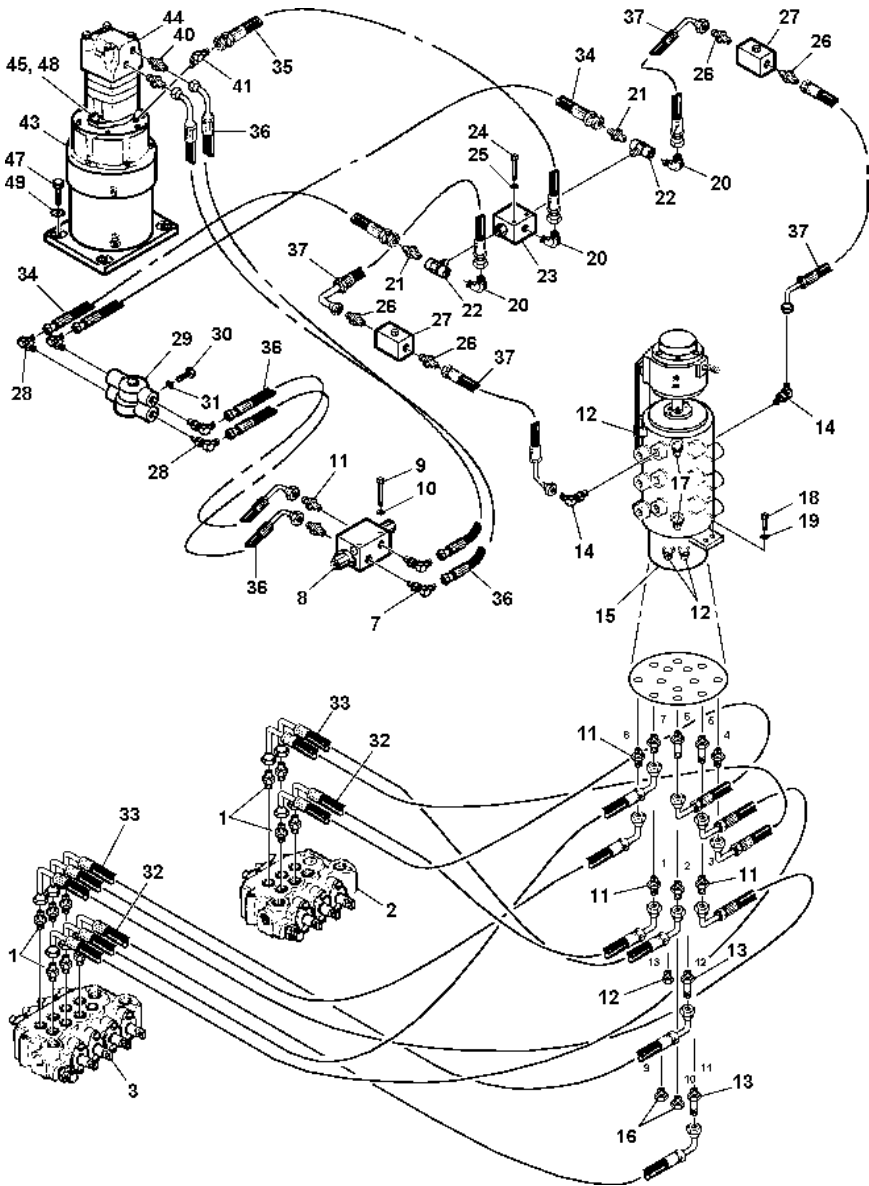
Section VI - PARTS (cont'd)

BOOM HYDRAULICS

REF. NO.	NO. REQ'D	PART NUMBER	DESCRIPTION
1	2	0300040	CONNECTOR, 8MJ-8MP
2	2	0300041	CONNECTOR, 8MJ-8MB
3	4	0300113	GREASE FITTING
4	1	0300644	HOSE CLAMP, 8"
5	2	0300761	STRAIGHT ADAPTER
6	2	0300762	MALE CONNECTOR
7	1	0300763	MALE ELBOW
8	1	0300766	MALE BRANCH TEE
9	1	0300767	TEE UNION
10	2	0300901	ELBOW
11	2	0301376	CONNECTOR, 8MJ-10MB
12	4	0301471	HOSE ASSEMBLY, 30"
13	5	0301487	HOSE CLAMP, 1/2" INSULATED
14	1	0301906	HOLDING VALVE, ACTIVATION
15	1	0302221	CYLINDER, BOOM EXTEND
16	2	0302222	CYLINDER, BOOM LIFT
17	4	0302321	ELBOW, 8MJ-8MB45
18	2	0302304	HOSE ASSEMBLY, 42"
19	5	0400066	SCREW, 1/4"-20 X 3/4" HEX HD CAP
20	2	0400146	SCREW, 3/8"-16 X 2-1/4" HEX HD CAP
21	2	0400167	SCREW, 3/8"-16 X 3-3/4" HEX HD CAP
22	5	0400367	NUT, 1/4"-20 NYLOK HEX
23	4	0400392	NUT, 3/8"-16 NYLOK HEX
24	1	0703745	TUBE, EXTENSION, ELEVATION CYLINDER
25	1	0705834	TUBE
26	1	0705835	TUBE
27	1	0705867	TUBE, HYD PIPE, ELEVATION CYLINDER
28	1	0709710	TUBE, EXTENSION, ELEVATION CYLINDER
29	1	0709711	TUBE, EXTENSION, ELEVATION CYLINDER
30	1	0802883	BRACKET, HOLDING VALVE
31	1	HC1413	TEE FITTING

Section VI - PARTS (cont'd)

1040S WRECKER HYDRAULICS



Section VI - PARTS (cont'd)

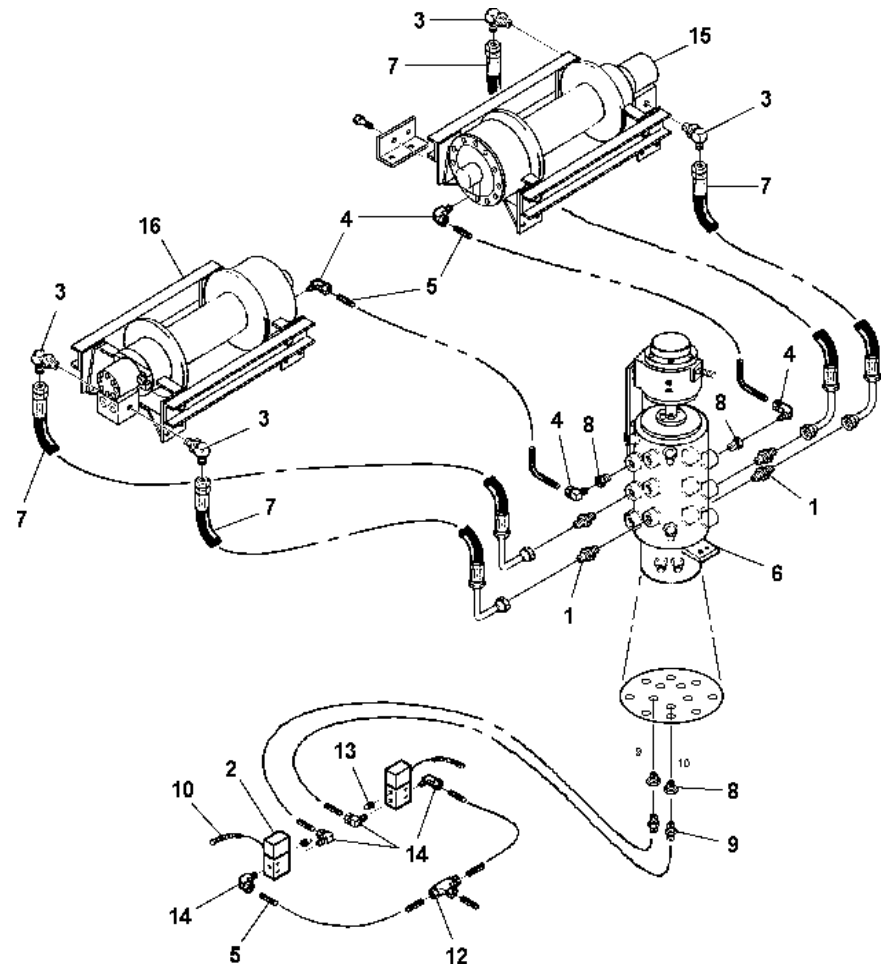
1040S WRECKER HYDRAULICS

REF. NO.	NO. REQ'D	PART NUMBER	DESCRIPTION
1	10	0301376	CONNECTOR, 8MJ-10MB
2	REF.	0302296	CONTROL VALVE, VDP12CDD118
3	REF.	0302334	CONTROL VALVE, VDP12CDD10
4	6	0400135	SCREW, 3/8"-16 X 4-1/2" HEX HD CAP
5	6	0400392	NUT, 3/8"-16 NYLOK HEX
6	6	0704045	SPACER, CONTROL VALVE
	--	0901477	DOUBLE HOLDING VALVE ASSEMBLY
7	2	0301388	ELBOW, 8MJ-8MB90
8	1	0302472	DOUBLE HOLDING VALVE
9	2	0400130	SCREW, 3/8"-16 X 3-1/2" HEX HD CAP
10	2	0400482	LOCKWASHER, 3/8" HELICAL
	--	0901478	ROTARY SWIVEL ASSEMBLY
11	8	0300041	CONNECTOR, 8MJ-8MB
12	4	0300387	PLUG, 8MB
13	4	0301445	EXTENDED CONNECTOR, 8MJ-8MBL
14	2	0301470	ELBOW, 6MJ-8MB90
15	1	0302232	ROTARY SWIVEL
16	2	0302320	REDUCER, 8MB-4FP
17	2	0302507	PLUG, 6MB
18	4	0400211	SCREW, 1/2"-13 X 1-3/4" HEX HD CAP
19	4	0400491	LOCKWASHER, 1/2" HELICAL
	--	0901479	SHUTTLE VALVE ASSEMBLY
20	3	0300142	ELBOW, 6MJ-4MP90
21	2	0301424	CONNECTOR, 6MJ-4MP
22	2	0301868	MALE RUN TEE, 4FP-4FP-4MP
23	1	0302226	SHUTTLE VALVE
24	2	0400090	SCREW, 1/4"-20 X 1-3/4" RD HD
25	2	0400452	LOCKWASHER, 1/4" HELICAL
	--	0901480	RESTRICTER VALVE ASSEMBLY
26	4	0301425	CONNECTOR, 6MJ-6M
27	2	0706601	RESTRICTER VALVE

REF. NO.	NO. REQ'D	PART NUMBER	DESCRIPTION
	--	0901707	CROSSOVER RELIEF VALVE ASSEMBLY
28	4	0301388	ELBOW, 8MJ-8MB90
29	1	0302471	CROSSOVER RELIEF VALVE
30	2	0400107	SCREW, 5/16"-18 X 2-1/2" HEX HD CAP
31	2	0400382	NUT, 5/16"-18 NYLOK HEX
	--	0902137	WRECKER MOUNTING HOSES
32	5	0302305	HOSE ASSEMBLY, 48"
33	5	0302306	HOSE ASSEMBLY, 48"
	--	0902142	WRECKER FRAME HOSE KIT
34	2	0301471	HOSE ASSEMBLY, 30"
35	1	0301524	HOSE ASSEMBLY, 14"
36	4	0301791	HOSE ASSEMBLY, 17"
36	4	0301999	HOSE ASSEMBLY, 9"
	--	0902399	PLANETARY GEAR REDUCER & HYDRAULIC MOTOR ASSEMBLY
38	1	0301344	PIPE NIPPLE, BREATHER EXT., 1/4" X 3" NPT
39	1	0301345	COUPLING, 1/4" NPT
40	2	0301376	CONNECTOR, 8MJ-10MB
41	1	0302324	ELBOW, 6MJ-2MP90
42	1	0302340	PIPE BUSHING, HEX BRASS
43	1	0302779	HYDRAULIC MOTOR
44	1	0302778	PLANETARY SPEED REDUCER
45	2	0400177	SCREW, 1/2"-13 X 1-1/4" HEX HD CAP
46	4	0400252	SCREW, 5/8"-11 X 1-1/2" HEX HD CAP
47	2	0400482	LOCKWASHER, 3/8" HELICAL
48	2	0400491	LOCKWASHER, 1/2" HELICAL
49	4	0400508	LOCKWASHER, 5/8" HELICAL

Section VI - PARTS (cont'd)

WINCH HYDRAULICS & AIR FREE SPOOL

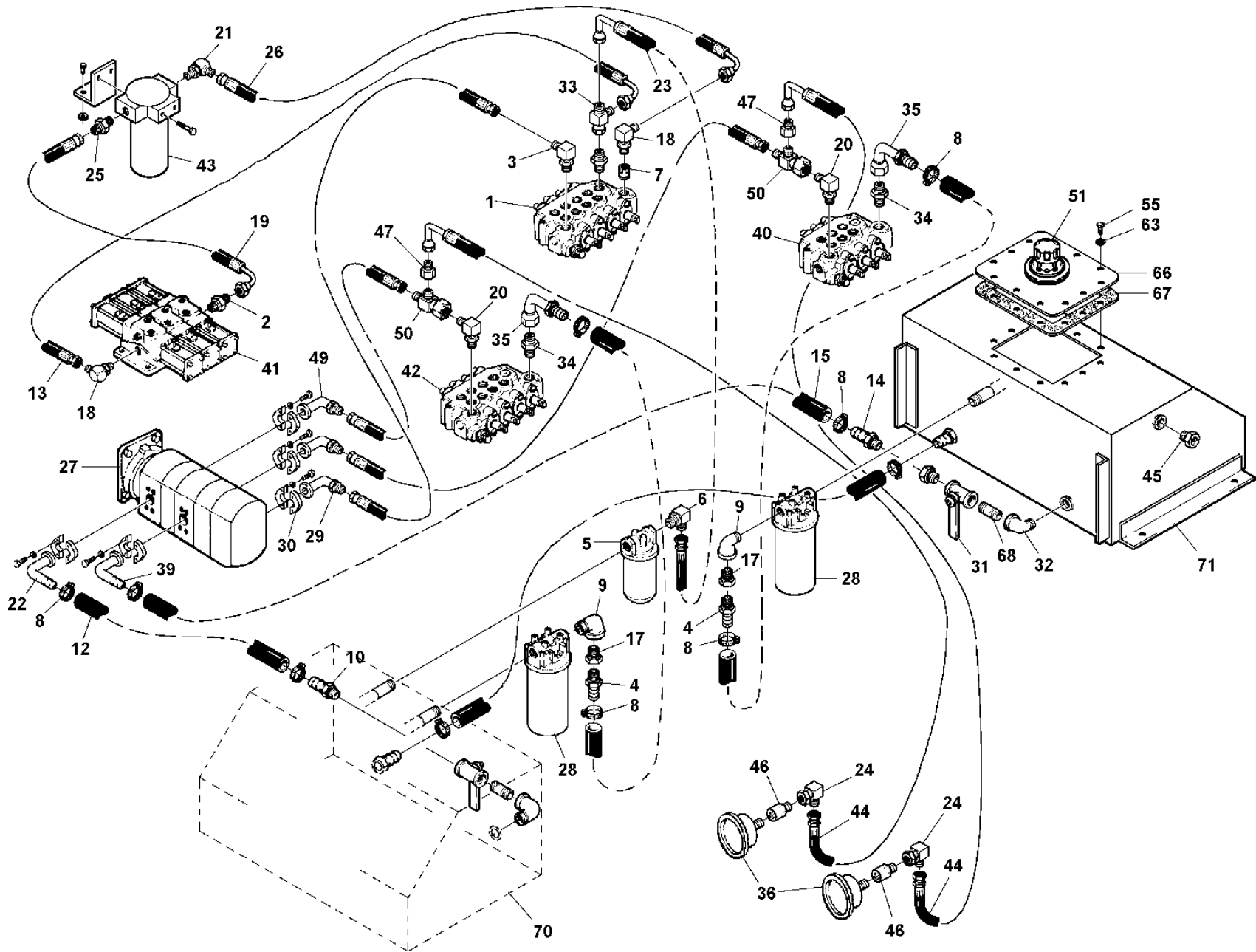


Section VI - PARTS (cont'd)
WINCH HYDRAULICS & AIR FREE SPOOL

REF. NO.	NO. REQ'D	PART NUMBER	DESCRIPTION
1	4	0300041	CONNECTOR, 8MJ-8MB
2	2	0300324	SOLENOID VAVLE, AIR CONTROL
3	4	0301388	ELBOW, 8MJ-8MB90
4	4	0301574	ELBOW, 4TB-4MP90
5	30 FT.	0301577	AIR HOSE, 1/4" O.D.
6	REF.	0302232	ROTARY SWIVEL
7	4	0302308	HOSE ASSEMBLY, 75"
8	4	0302320	REDUCER, 8MB-4FP
9	2	0302335	CONNECTOR, 4TB-2MP
10	7 FT.	0302431	CONVOLUTED LOOM, 3/8"
11	5	0302434	CABLE TIE, 4"
12	1	0302607	TEE UNION, 4TB-4TB-4TB
13	2	0302677	BREATHER VENT, 2MP
14	4	0302678	ELBOW, 4TB-2MP90
15	1	0302957	WINCH, DP #30BBX4L3F, RIGHT
16	1	0302958	WINCH, DP #30BBX4R3F, LEFT
17	4	0400021	SCREW, #8-32 X 1/2" RD HD PHIL MACH
18	4	0400351	NUT, #8-32 HEX & STAR WASHER

Section VI - PARTS (cont'd)

PUMP, VALVE & FILTER HYDRAULICS



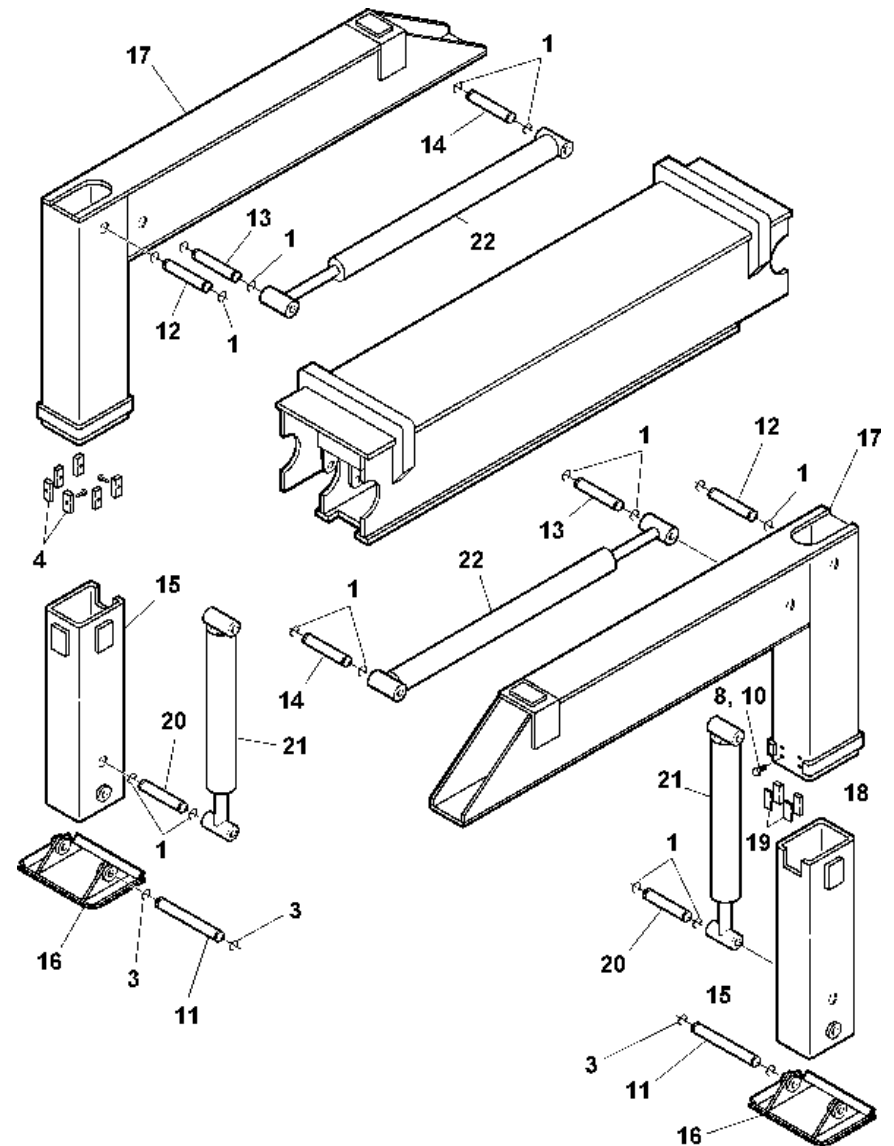
Section VI - PARTS (cont'd)

PUMP, VALVE & FILTER HYDRAULICS

REF. NO.	NO. REQ'D	PART NUMBER	DESCRIPTION
1	1	0300011	CONTROL VALVE, VDP11DDDD83
2	1	0300041	CONNECTOR, 8MJ-8MB
3	1	0300052	ELBOW, 8MJ-10MB90
4	2	0300056	BARB, 16C4-16MP
5	1	0300136	RETURN LINE FILTER ASSEMBLY
6	1	0300218	ELL, 8MJ-12MP90
7	1	0300286	ADAPTER, H.P.C.O.
8	6	0300364	HOSE CLAMP, 1" - 2-1/4"
9	2	0300375	STREET ELBOW, 90°, 1-1/4"
10	1	0300434	HOSE BARB, 32C4-32MP
11	1	0300446	PIPE PLUG, 3/4" NPT MALE (NOT SHOWN)
12	20 FT.	0300558	HOSE, 2" SUCTION
13	1	0300657	HOSE ASSEMBLY, 46"
14	1	0300666	BARB, 24C4-24MP
15	24 FT.	0300671	HOSE, 1-1/2" SUCTION
16	2	0300692	STREET ELBOW, 90°, 1"
17	2	0301373	PIPE BUSHING, 2" NPT - 1-1/2" NPT
18	2	0301388	ELBOW, 8MJ-8MB90
19	1	0301471	HOSE ASSEMBLY, 30"
20	2	0301545	ELBOW, 12MJ-12MB90
21	1	0301547	ELBOW, 8MJ-12MB90
22	1	0301637	ELBOW, FLANGE 32-32FL90
23	1	0301659	HOSE ASSEMBLY, 150"
24	2	0301696	ELBOW, 6MJ-6FJX90
25	2	0301780	CONNECTOR, 8MJ-12MB
26	1	0301791	HOSE ASSEMBLY, 17"
27	1	0301836	HYDRAULIC PUMP, OPPOSITE ENGINE
28	1	0301894	SPIN-ON FILTER ASSEMBLY
29	1	0301904	ELBOW, 8MJ-12FL90
30	1	0301905	O-RING FLANGE KIT
31	2	0301961	BALL VALVE, BRONZE
32	2	0302010	STREET ELL, 2" 45°
33	1	0302052	RUN TEE, 8MJ-8FJX-8MJ
34	2	0302169	CONNECTOR, 16MJ-12MB
35	2	0302170	BENT TUBE, SWIVEL 90°
36	2	0302205	GAUGE, FLUSH MOUNT, 6000 PSI
37	8	0302227	CENTER BONDED MOUNT (NOT SHOWN)
38	8	0302228	SPECIAL WASHER (NOT SHOWN)

REF. NO.	NO. REQ'D	PART NUMBER	DESCRIPTION
39	1	0302242	FLANGE FITTING, 24FL-24HOSE90
40	1	0302296	CONTROL VALVE, VDP12CDD118
41	1	0302322	SOLENOID VALVE (SDU)
42	1	0302334	CONTROL VALVE, VDP12CDD10
43	1	0302506	IN-LINE FILTER
44	2	0302532	HOSE ASSEMBLY, 183"
45	1	0302570	SIGHT GAGE
46	2	0302577	CONNECTOR, 6MJ-4FP
47	2	0302829	ADAPTER, 12FJ-6MJ
48	4	0302901	HOSE ASSEMBLY, 120"
49	2	0302932	ELBOW, 12MJ-20FL90
50	2	0303323	TEE, 12MJ-12MJ-12FJX
51	2	0305006	FILLER CAP
52	12	0400036	SCREW, #10-32 X 1" RD HD MACH
53	16	0400062	SCREW, 1/4"-20 X 3/4" HEX WSHR HD
54	2	0400081	SCREW, 1/4"-20 X 3-1/2" HEX HD CAP
55	24	0400122	SCREW, 3/8"-16 X 1-1/4" HEX HD CAP
56	9	0400135	SCREW, 3/8"-16 X 2-1/2" HEX HD CAP
57	8	0400150	SCREW, 3/8"-16 X 2-1/2" HEX HD CAP
58	4	0400177	SCREW, 1/2"-13 X 1-1/4" HEX HD CAP
59	12	0400357	NUT, #10-32 NYLOK HEX
60	2	0400367	NUT, 1/4"-20 NYLOK HEX
61	13	0400392	NUT, 3/8"-16 NYLOK HEX
62	2	0400451	WASHER, 1/4" FLAT
63	24	0400482	LOCKWASHER, 3/8" HELICAL
64	4	0400491	LOCKWASHER, 1/2" HELICAL
65	9	0704045	SPACER, CONTROL VALVE (NOT SHOWN)
66	2	0705910	COVER PLATE
67	2	0706114	GASKET, CLEANOUT & FILLER COVER
68	2	4823029	NIPPLE, 2"
69	2	4827026	PLATE, RESERVOIR MOUNTING
70	1	4828016	RESERVOIR WELDMENT, LEFT
71	1	4828017	RESERVOIR WELDMENT, RIGHT
72	2	4828023	FILTER COVER WELDMENT (NOT SHOWN)

Section VI - PARTS (cont'd) FRONT OUTRIGGER KIT



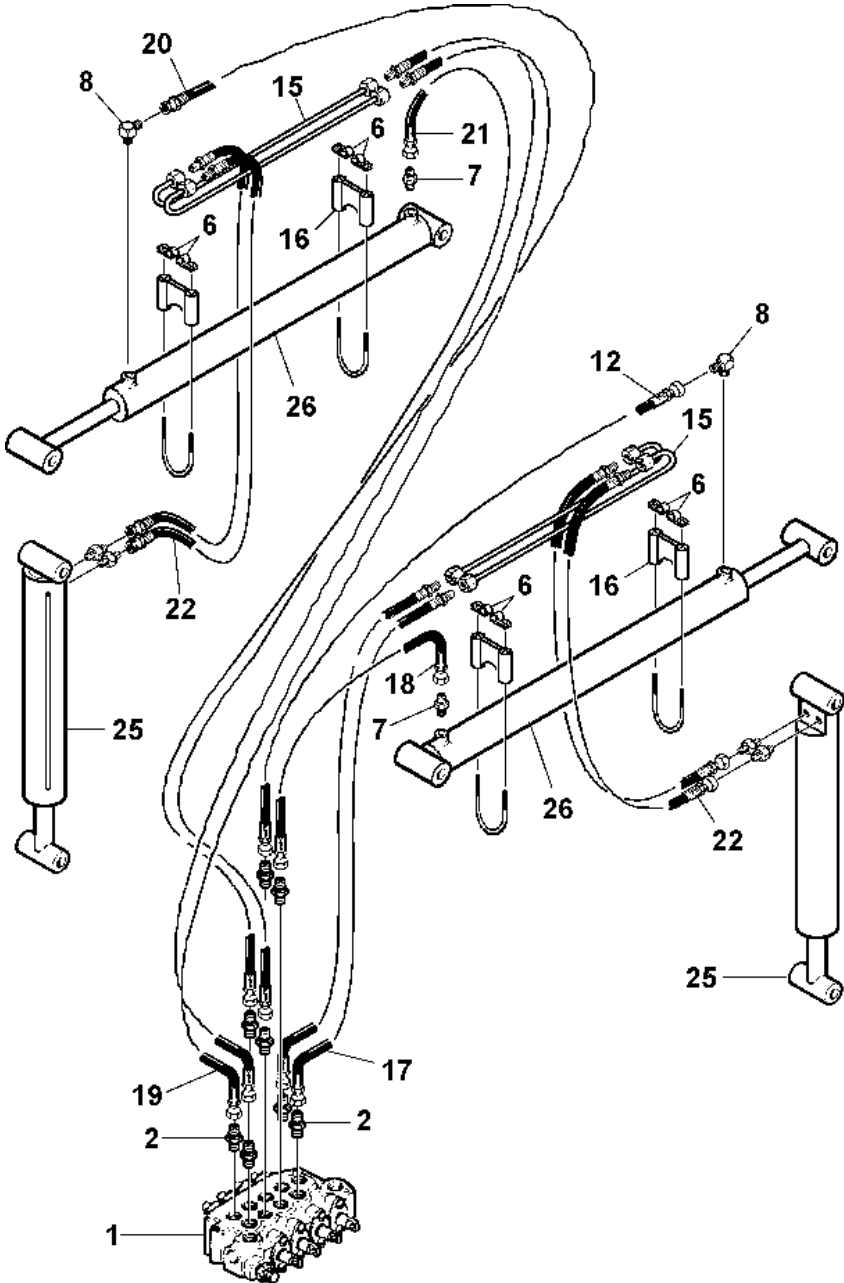
Section VI - PARTS (cont'd)

FRONT OUTRIGGER KIT

REF. NO.	NO. REQ'D	PART NUMBER	DESCRIPTION
1	8	0300109	SNAP RING, 1-1/2"
2	4	0300113	GREASE FITTING
3	4	0300329	SNAP RING, 2" EXTERNAL
4	12	0303490	WEAR PAD
5	8	0400039	SCREW, #10-32 X 3/4" FL HD PHIL SELF TAP
6	4	0400118	SCREW, 5/16"-18 X 3/4" HEX HD CAP
7	3	0400140	SCREW, 3/8"-16 X 4" HEX HD CAP
8	8	0400222	SCREW, 3/8"-16 X 1-1/2" SKT HD SET
9	3	0400392	NUT, 3/8"-16 NYLOK HEX
10	8	0400393	NUT, 3/8"-16 HEX JAM
11	2	0705722	SHAFT, OUTRIGGER ARM TO PAD
12	2	0709326	PIN, VERTICAL CYLINDER TO BASE
13	2	0709327	PIN, EXTEND CYLINDER, ROD END
14	2	0709328	PIN, EXTEND CYLINDER, BASE END
15	2	0802779	VERTICAL TUBE WELDMENT
16	2	0802780	FRONT OUTRIGGER PAD WELDMENT
17	2	0303386	OUTRIGGER BEAM WELDMENT
18	4	BK2003	WEAR PAD
19	4	EA0144	SHIM, WEAR PAD
20	2	EA0174	PIN, IN/OUT 2ND STAGE, ROD END
21	REF.	HC0124	VERTICAL CYLINDER
22	REF.	HC0164	EXTEND CYLINDER
23	2	HE0239	LIMIT SWITCH, DOOR (NOT SHOWN)
24	2	HE0240	ARM, LIMIT SWITCH (NOT SHOWN)

Section VI - PARTS (cont'd)

FRONT OUTRIGGER HYDRAULICS



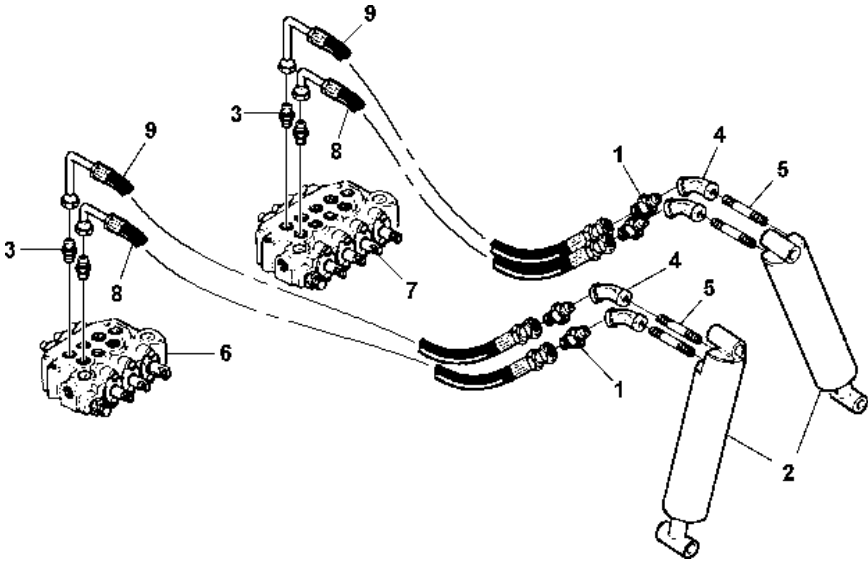
Section VI - PARTS (cont'd)

FRONT OUTRIGGER HYDRAULICS

REF. NO.	NO. REQ'D	PART NUMBER	DESCRIPTION
1	1	0300011	CONTROL VALVE, 4-SPOOL
2	8	0300044	CONNECTOR, 6MJ-8MB
3	1	0300052	ELBOW, 8MJ-10MB90 (Not Shown)
4	1	0301375	ELBOW, 12MB-12FP90 (Not Shown)
5	8	0301422	UNION, 6MJ-6MB, SM HEX (Not Shown)
6	12	0301487	HOSE CLAMP, 1/2"
7	2	0301522	CONNECTOR, 6MJ-6MB
8	2	0301620	ELBOW, 6MJ-6MB90
9	2	0301998	HOSE ASSEMBLY, 24" (Not Shown)
10	2	0302547	CLAMPING UNIT (Not Shown)
11	4	0302551	NUT, SKT HD STACKING (Not Shown)
12	1	0302635	HOSE ASSEMBLY, 131"
13	4	0302727	CONNECTOR, 6MJ-8MP
14	2	0302794	ELBOW, 6MJ-6FJX45 (Not Shown)
15	4	0303054	TUBE ASSEMBLY
16	4	0303055	SADDLE CLAMP, 4"
17	2	0303184	HOSE ASSEMBLY, 73"
18	1	0303185	HOSE ASSEMBLY, 66"
19	2	0303186	HOSE ASSEMBLY, 82"
20	1	0303187	HOSE ASSEMBLY, 141"
21	1	0303188	HOSE ASSEMBLY, 75"
22	4	0303191	HOSE ASSEMBLY, 96"
23	1	4823055	SOLENOID VALVE (Not Shown)
24	1	4828047	VALVE SUPPORT WELDMENT (Not Shown)
25	2	HC0124	VERTICAL CYLINDER
26	2	HC0164	EXTEND CYLINDER

Section VI - PARTS (cont'd)

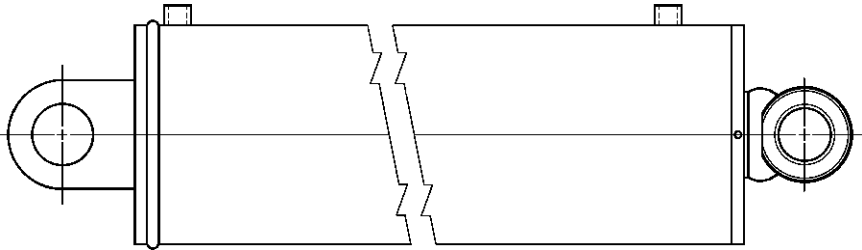
REAR SPADE HYDRAULICS



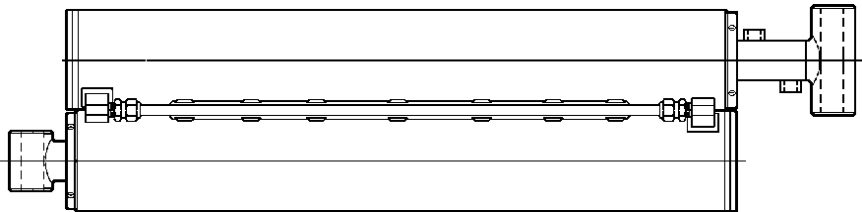
REF. NO.	NO. REQ'D	PART NUMBER	DESCRIPTION
1	4	0300040	CONNECTOR, 8MJ-8MP
2	2	0300680	JACK CYLINDER
3	4	0301376	CONNECTOR, 8MJ-10MB
4	4	0301816	FITTING, 45°
5	4	0302032	NIPPLE, BLACK PIPE, 1/2" X 6"
6	REF.	0302296	CONTROL VALVE, VDP12CDD118
7	REF.	0302334	CONTROL VALVE, VDP12CDCD10
8	2	0302325	HOSE ASSEMBLY, 167"
9	2	0302328	HOSE ASSEMBLY, 167"

Section VI - PARTS (cont'd)

HYDRAULIC CYLINDERS - UNDERLIFT



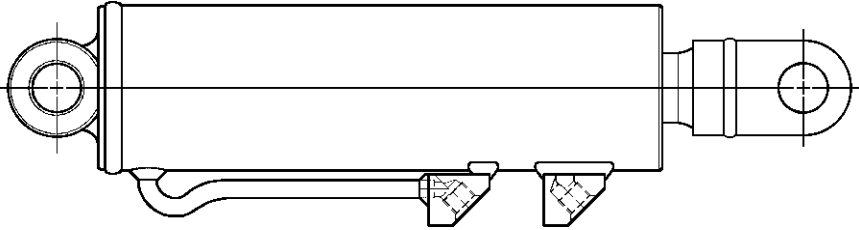
REF. NO.	NO. REQ'D	PART NUMBER	DESCRIPTION
1	1	0302352	CYLINDER, LIFT (COMPLETE)
2	--	--	SEAL KIT, UNDERLIFT LIFT CYLINDER



REF. NO.	NO. REQ'D	PART NUMBER	DESCRIPTION
1	1	0301811	CYLINDER, EXTEND (COMPLETE)
2	--	--	SEAL KIT, UNDERLIFT EXTEND CYLINDER

Section VI - PARTS (cont'd)

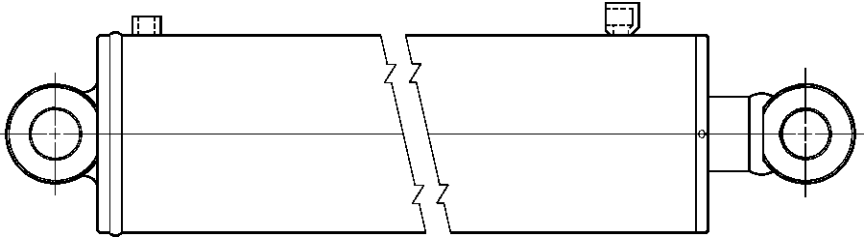
HYDRAULIC CYLINDERS - UNDERLIFT



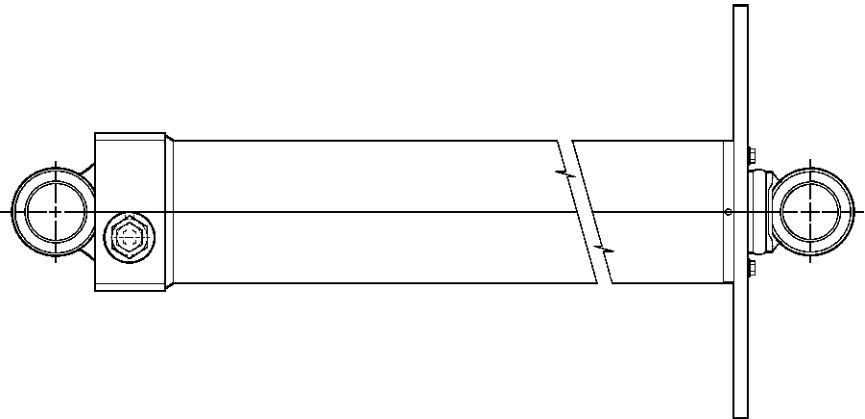
REF. NO.	NO. REQ'D	PART NUMBER	DESCRIPTION
1	1	0303042	CYLINDER, FOLD (COMPLETE)
2	--	--	SEAL KIT, UNDERLIFT FOLD CYLINDER

Section VI - PARTS (cont'd)

HYDRAULIC CYLINDERS - WRECKER



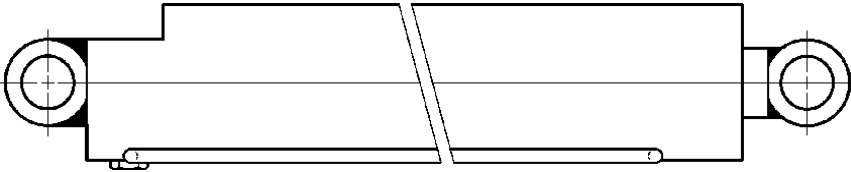
REF. NO.	NO. REQ'D	PART NUMBER	DESCRIPTION
1	2	0302222	CYLINDER, BOOM LIFT (COMPLETE)
2	--	--	SEAL KIT, BOOM LIFT CYLINDER



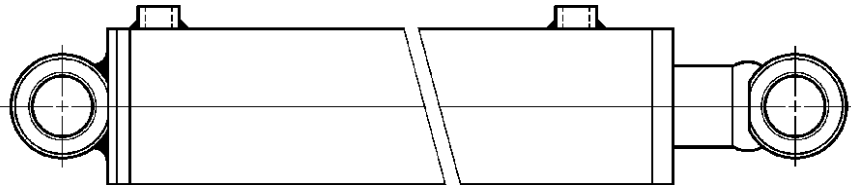
REF. NO.	NO. REQ'D	PART NUMBER	DESCRIPTION
1	1	0302221	CYLINDER, BOOM EXTEND (COMPLETE)
2	--	--	SEAL KIT, BOOM EXTEND CYLINDER

Section VI - PARTS (cont'd)

HYDRAULIC CYLINDERS - OUTRIGGER



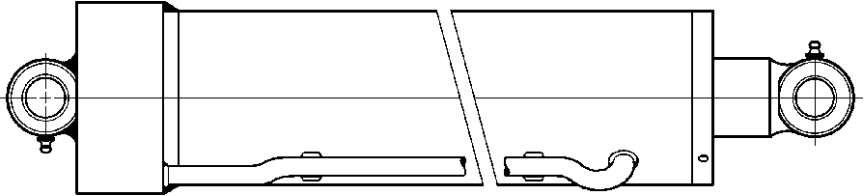
REF. NO.	NO. REQ'D	PART NUMBER	DESCRIPTION
1	2	HC0124	CYLINDER, OUTRIGGER LIFT (COMPLETE)
2	--	--	SEAL KIT, OUTRIGGER LIFT CYLINDER



REF. NO.	NO. REQ'D	PART NUMBER	DESCRIPTION
1	2	HC0164	CYLINDER, OUTRIGGER EXT. (COMPLETE)
2	--	--	SEAL KIT, OUTRIGGER EXTEND CYLINDER

Section VI - PARTS (cont'd)

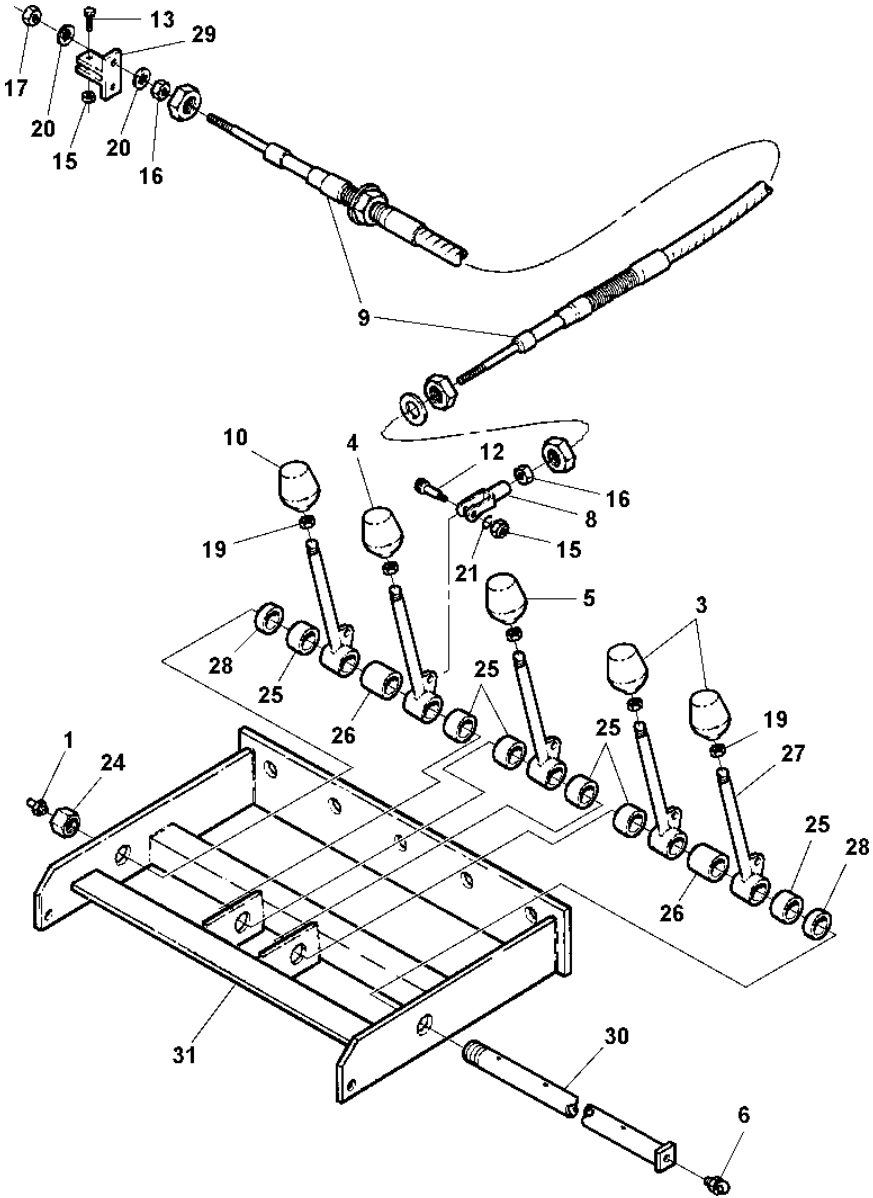
HYDRAULIC CYLINDER - REAR SPADE



REF. NO.	NO. REQ'D	PART NUMBER	DESCRIPTION
1	2	0300680	CYLINDER, REAR SPADE (COMPLETE)
2	--	--	SEAL KIT, REAR SPADE CYLINDER

Section VI - PARTS (cont'd)

CONTROL KIT - 1040S / SDU



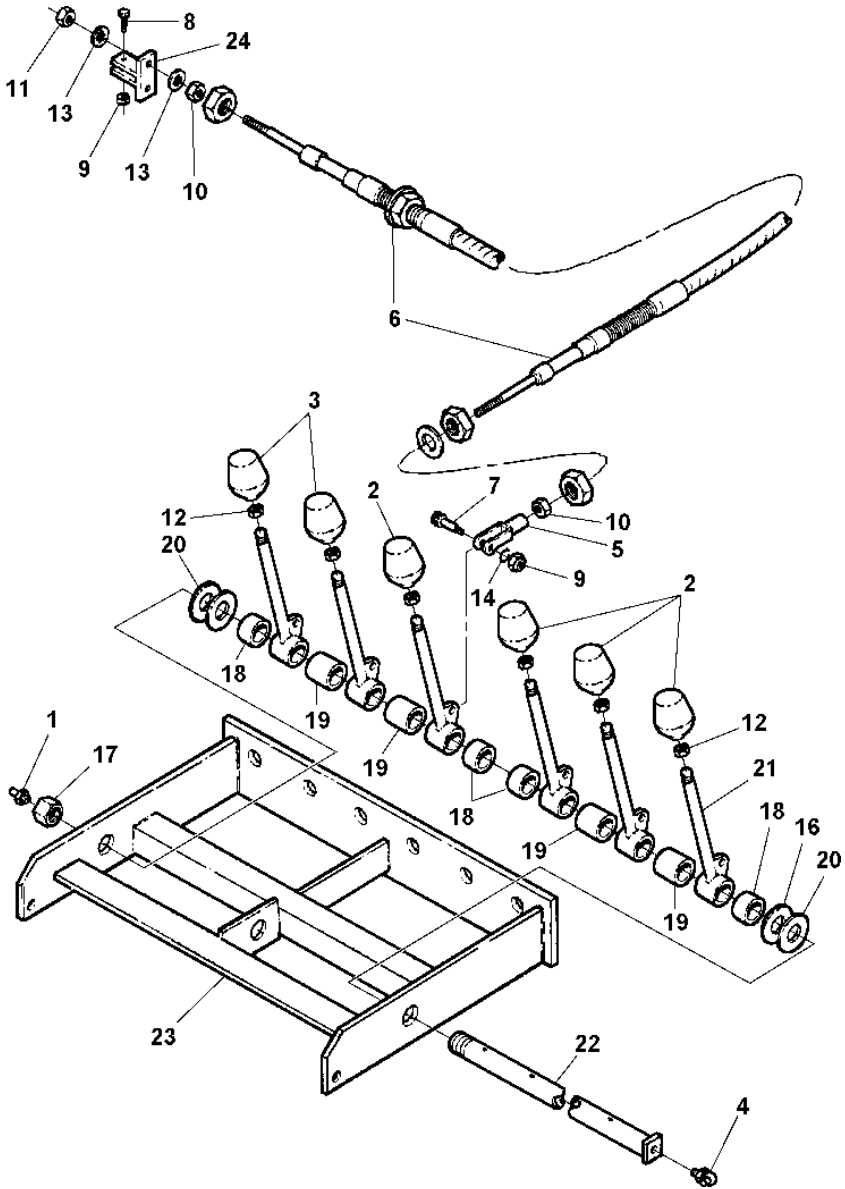
Section VI - PARTS (cont'd)

CONTROL KIT - 1040S / SDU

REF. NO.	NO. REQ'D	PART NUMBER	DESCRIPTION
1	2	0300113	GREASE FITTING
2	8	0300166	WIRE CONNECTOR, SPADE (Not Shown)
3	4	0300834	CONTROL KNOB, CABLE IN-OUT
4	2	0300835	CONTROL KNOB, BOOM UP-DOWN
5	2	0300837	CONTROL KNOB, BOOM IN-OUT
6	2	0301397	GREASE FITTING
7	4	0301454	TOGGLE BOOT SEAL
8	10	0301867	ADJUSTABLE CLEVIS
9	10	0302314	CONTROL CABLE, 196"
10	2	0303379	KNOB, SWING CW-CCW
11	4	0304006	SWITCH
12	10	0400095	SCREW, 5/16"-18 X 1" w/ 3/8" X 1/2" SHLDR
13	2	0400103	SCREW, 5/16"-18 X 1-1/4" HEX HD CAP
14	4	0400122	SCREW, 3/8"-16 X 1-1/4" HEX HD CAP
15	10	0400382	NUT, 5/16"-18 NYLOK HEX
16	20	0400383	NUT, 5/16"-24 HEX
17	10	0400384	NUT, 5/16"-24 NYLOK HEX
18	8	0400392	NUT, 3/8"-16 NYLOK HEX
19	10	0400393	NUT, 3/8"-16 HEX JAM
20	20	0400466	LOCKWASHER, 5/16" INTERNAL TOOTH
21	10	0400482	LOCKWASHER, 3/8" HELICAL
22	2	0500466	DECAL, CONTROL PANEL (Not Shown)
23	1	0500468	DECAL, HOUSE LOCK & WINCH FREE SPOOL (Not Shown)
24	2	0701169	PIPE CAP, CONTROL HANDLE SHAFT
25	12	0703509	SPACER, CONTROL HANDLE, 3/8"
26	4	0703510	SPACER, CONTROL HANDLE, 1"
27	10	0705367	CONTROL HANDLE, CHROME
28	4	0705876	SPACER, CONTROL HANDLE, 1/4"
29	5	0801054	CONTROL CABLE CONNECTOR
30	2	0801757	SHAFT, CONTROL HANDLE
31	2	0801758	MOUNTING BRACKET, CONTROL HANDLE

Section VI - PARTS (cont'd)

OUTRIGGER & REAR SPADE CONTROL KIT



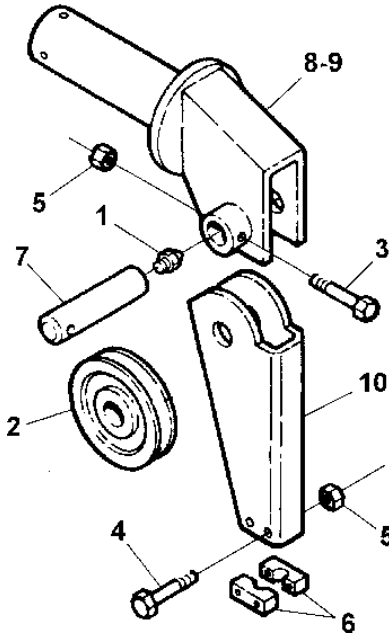
Section VI - PARTS (cont'd)

OUTRIGGER & REAR SPADE CONTROL KIT

REF. NO.	NO. REQ'D	PART NUMBER	DESCRIPTION
1	2	0300113	GREASE FITTING
2	8	0300341	CONTROL KNOB
3	4	0300836	CONTROL KNOB, JACK UP-DOWN
4	2	0301397	GREASE FITTING
5	12	0301867	ADJUSTABLE CLEVIS
6	12	0302256	CONTROL CABLE, 136"
7	12	0400095	SCREW, 5/16"-18 X 1" w/ 3/8" X 1/2" SHLDR
8	6	0400112	SCREW, 5/16"-24 X 1-1/4" HEX HD CAP
9	8	0400122	SCREW, 3/8"-16 X 1-1/4" HEX HD CAP
10	12	0400382	NUT, 5/16"-18 NYLOK HEX
11	36	0400383	NUT, 5/16"-24 HEX
12	6	0400384	NUT, 5/16"-24 NYLOK HEX
13	8	0400392	NUT, 3/8"-16 NYLOK HEX
14	24	0400466	LOCKWASHER, 5/16" INTERNAL TOOTH
15	4	0400504	WASHER, 5/8" FLAT
16	4	0700954	SPACER, CONTROL HANDLE
17	2	0701169	PIPE CAP, CONTROL HANDLE SHAFT
18	8	0703509	SPACER, CONTROL HANDLE, 3/8"
19	8	0703510	SPACER, CONTROL HANDLE, 1"
20	4	0703597	SPACER, CONTROL HANDLE
21	12	0705367	CONTROL HANDLE, CHROME
22	2	0801046	SHAFT, CONTROL HANDLE
23	2	0801047	MOUNTING BRACKET, CONTROL HANDLE
24	2	0801054	CONTROL CABLE CONNECTOR

Section VI - PARTS (cont'd)

BOOM SWIVEL ASSEMBLY



REF. NO.	NO. REQ'D	PART NUMBER	DESCRIPTION
--	1	0901673	BOOM SWIVEL ASSEMBLY, LEFT (COMPLETE)
--	1	0901674	BOOM SWIVEL ASSEMBLY, RIGHT (COMPLETE)
1	1	0300113	GREASE FITTING
2	1	0300311	SHEAVE, 10"
3	2	0400133	SCREW, 3/8"-16 X 3" HEX HD CAP
4	1	0400140	SCREW, 3/8"-16 X 4" HEX HD CAP
5	3	0400392	NUT, 3/8"-16 NYLOK HEX
6	2	0700511	CABLE GUIDE, BOTTOM
7	1	0700563	SHAFT, SHEAVE
8	1	0802027	CABLE GUIDE WELDMENT
9	1	0803577	SWIVEL WELDMENT, LEFT
10	1	0803578	SWIVEL WELDMENT, RIGHT

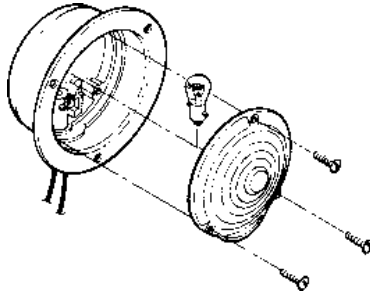
Section VI - PARTS (cont'd)

LIGHT BAR & BODY WIRING KIT

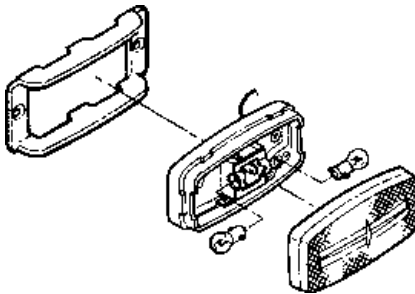
REF. NO.	NO. REQ'D	PART NUMBER	DESCRIPTION
--	--	124001619	LIGHT BAR KIT, WINCH MOUNTING
1	2	0301800	JUNCTION BOX, 6-POSITION
2	1	0302241	ROTARY CONTACT KIT
3	4	0400070	SCREW, 1/4"-20 X 1" HEX HD CAP
4	4	0400254	SCREW, 5/8"-11 X 2-1/2" HEX HD CAP
5	4	0400273	SCREW, 5/8"-11 X 3" HEX HD CAP
6	4	0400367	NUT, 1/4"-20 HEX NYLOK
7	8	0400421	NUT, 5/8"-11 HEX NYLOK
8	1	0703520	SUPPORT, JUNCTION BOX
9	1	0801785	LIGHT BAR, WINCH MOUNTING, 1040S
--	--	0902151	BODY WIRING KIT
10	15	0300132	CABLE TIE
11	5	0300137	WIRE CLIP
12	4	0300897	RUBBER GROMMET
13	.5 FT.	0301091	MIRACLE SEAL, 2-1/2" BLACK
14	10	0301601	HOSE CLAMP, 5/8" INSULATED
15	2	0301800	JUNCTION BOX, 6-POSITION
16	1	0301812	HEAT SHRINK TUBE, 1/4"
17	1	0301888	RECTIFIER HARNESS, AUX & BACKUP LIGHT
18	1	0301889	WRECKER FRAME HARNESS
19	1	0302361	TOOL BOX HARNESS, LEFT
20	1	0302362	TOOL BOX HARNESS, RIGHT
21	1	0302365	BODY HARNESS, LEFT
22	1	0302366	BODY HARNESS, RIGHT
23	1	0303226	CIRCUIT BREAKER, HI AMP WATERPROOF
24	8	0400070	SCREW, 1/4"-20 X 1" HEX HD CAP
25	8	0400367	NUT, 1/4"-20 NYLOK HEX
--	--	0903069	BACK UP ALARM KIT
26	2 FT.	0300077	WIRE, 16 GA., RED
27	6	0300153	CONNECTOR, WIRE
28	1	0301812	HEAT SHRINK TUBE, 1/4"
29	1	0303061	BACK UP ALARM
30	2	0400057	SCREW, 1/4"-20 X 1-1/4" HEX HD CAP
31	2	0400367	NUT, 1/4"-20 HEX NYLOK

Section VI - PARTS (cont'd)

LIGHT KIT

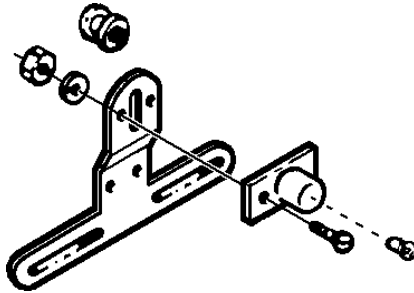


REF. NO.	NO. REQ'D	PART NUMBER	DESCRIPTION
--	2	0300501	LIGHT, STOP & TURN (COMPLETE)
--	2	0300505	LIGHT, BACK-UP (COMPLETE)
1	2	0300498	BULB, STOP & TURN
2	2	0300499	LENS, STOP & TURN (RED)
3	2	0300503	BULB, BACK-UP
4	2	0300504	LENS, BACK-UP (CLEAR)
5	6	0400045	SCREW, #10-32 X 1/2" RD HD PH THRD CUT

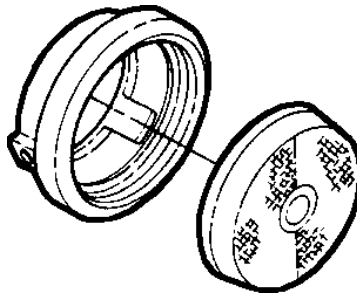


REF. NO.	NO. REQ'D	PART NUMBER	DESCRIPTION
--	2	0300427	LIGHT, MARKER, RED (COMPLETE)
1	2	0300242	GUARD, MARKER LIGHT (OPTIONAL)
2	4	0300507	BULB, MARKER LIGHT
3	2	0300508	LENS, RED MARKER

Section VI - PARTS (cont'd) LIGHT KIT



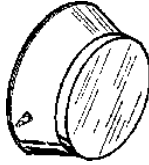
REF. NO.	NO. REQ'D	PART NUMBER	DESCRIPTION
			LICENSE PLATE BRACKET GROMMET, RUBBER LICENSE PLATE ILLUMINATOR BULB, LICENSE PLATE ILLUMINATOR SCREW, 1/4"-20 X 3/4" PAN HD SLOTTED NUT, 1/4"-20 HEX LOCKWASHER, 1/4" HELICAL



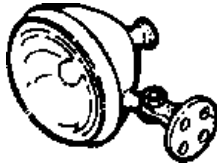
REF. NO.	NO. REQ'D	PART NUMBER	DESCRIPTION
			LIGHT, SEALED MARKER, RED LIGHT, SEALED MARKER, AMBER GROMMET MOUNTING KIT W/PLUG

Section VI - PARTS (cont'd)

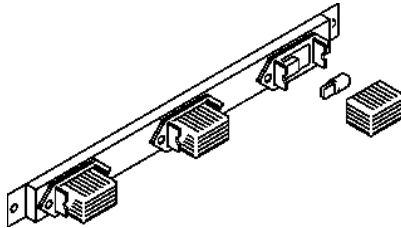
LIGHT KIT



REF. NO.	NO. REQ'D	PART NUMBER	DESCRIPTION
1	4	0302544	DOME LIGHT, M390S (COMPLETE)



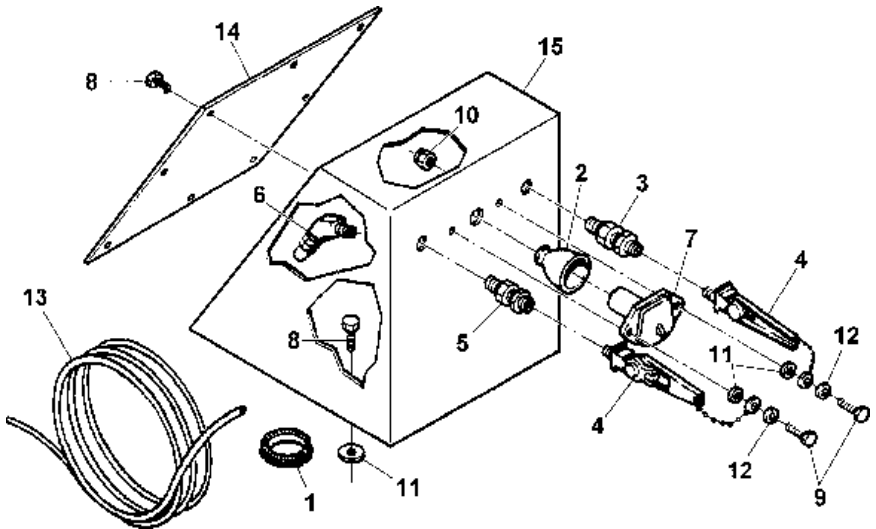
REF. NO.	NO. REQ'D	PART NUMBER	DESCRIPTION
1	2	0300095	SPOTLIGHT (COMPLETE)
2	2	0300700	BULB, SPOTLIGHT



REF. NO.	NO. REQ'D	PART NUMBER	DESCRIPTION
1	1	0300442	3-BAR LIGHT ASSEMBLY (COMPLETE)
2	3	0300507	BULB, MARKER LIGHT
3	3	0300511	LENS, 3-BAR LIGHT

Section VI - PARTS (cont'd)

GLAD HAND ASSEMBLY



REF. NO.	NO. REQ'D	PART NUMBER	DESCRIPTION
1	1	0301862	CATERPILLER GROMMET
2	1	0301909	RECEPTACLE BOOT
3	2	0301944	GLAD HAND COUPLING
4	2	0301945	GLAD HAND PLUG
5	2	0301946	CONNECTOR
6	2	0301947	ADAPTER, 1/4" NPTM X 3/8" SYN. HOSE
7	1	0301948	HD 7-WAY TRAILER CONNECTOR
8	9	0400062	SCREW, 1/4"-20 X 3/4" HEX HD SELF-TAP.
9	2	0400070	SCREW, 1/4"-20 X 1" HEX HD CAP
10	2	0400367	NUT, 1/4"-20 NYLOK HEX
11	4	0400451	FLATWASHER, 1/4"
12	2	0400463	FLATWASHER, 5/16"
13	2	0703795	HOSE, 3/8" X 4" SYNTHETIC
14	1	0703797	LID, GLAD HAND HOUSING
15	1	0801099	GLAD HAND HOUSING

CENTURY®

Miller Industries Towing Equipment Inc.

8503 Hilltop Drive • Ooltewah, Tennessee 37363 • (423) 238-4171

www.millerind.com