

CENTURY®

LEGENDARY LEADERSHIP

OWNER'S MANUAL 1040B / SDU

INSTALLATION, OPERATION, MAINTENANCE & PARTS

**NOTE: MANUAL including SPECIFICATIONS, subject to change without notice
All ratings specified are based on structural factors only,
not vehicle capacities or capabilities.**

CENTURY®

A Division of Miller Industries Towing Equipment Inc.
P.O. Box 120 • 8503 Hilltop Drive
Ooltewah, Tennessee 37363

Phone (615)238-4171 • FAX (615)238-5371

FORM NO. 0500960
10 / 97
PRICE \$15.00

LIMITED WARRANTY

MILLER INDUSTRIES TOWING EQUIPMENT INC., hereinafter referred to as MILLER, warrants to the original purchaser that each new MILLER wrecker or other MILLER products will be free from defects in material and workmanship for a period of twelve (12) months from date placed in service, but in no event shall such warranty period exceed twenty-four (24) months from date of manufacture by MILLER. The purchaser must promptly notify MILLER in writing of any failure in material or workmanship. In no event shall MILLER accept such notification later than twenty-four (24) months from date of delivery or twelve (12) months from date placed in service, whichever is earlier.

MILLER's obligation under this warranty, statutory or otherwise, is limited to the repair or replacement at the MILLER factory, or at a point designated by MILLER, of such part or parts as shall appear upon inspection by MILLER to be defective in material or workmanship. New or remanufactured parts will be used for any replacement at MILLER's option. This warranty is not transferable. This warranty does not obligate MILLER to bear the cost of labor or transportation charges in connection with the repair or replacement of any parts found to be defective, nor shall it apply to a product upon which repairs or alterations have been made unless authorized by MILLER.

EXCEPT AS EXPRESSLY SET FORTH IN THIS WARRANTY, MILLER MAKES NO OTHER WARRANTY, EXPRESS OR IMPLIED, AND HEREBY DISCLAIMS ALL OTHER WARRANTIES INCLUDING, BUT NOT LIMITED TO, THE IMPLIED WARRANTIES OF MERCHANTABILITY AND FITNESS FOR A PARTICULAR PURPOSE. MILLER shall in no event be liable for claimed downtime, claimed loss of profits or goodwill, or any other special, incidental, indirect, or consequential damages concerning or relating to any product or parts, whether based on negligence, strict liability, breach of contract, breach of warranty, misrepresentation or any other legal theory, regardless of whether the loss resulted from any general or particular requirement which MILLER knew or had reason to know about at the time of sale.

MILLER MAKES NO WARRANTY, EXPRESS OR IMPLIED, AS TO THE FINISHED PRODUCTS MANUFACTURED OR SUPPLIED BY ANOTHER MANUFACTURER AND SUPPLIED BY MILLER TO PURCHASER, including, but not limited to, any vehicle to which a MILLER product may be affixed or any accessories or wire rope, and MILLER EXPRESSLY DISCLAIMS ANY IMPLIED WARRANTIES OF MERCHANTABILITY OR FITNESS FOR A PARTICULAR PURPOSE AS TO SUCH EQUIPMENT OR PRODUCTS. This language shall in no way affect or diminish the rights of the purchaser to rely on such warranties as are extended by such manufacturers or suppliers. MILLER shall, to the extent permitted under applicable law, pass on to the purchaser such manufacturer's or seller's warranty.

MILLER, whose policy is one of continuous improvement, reserves the right to improve its products through changes in design or materials as it may deem desirable without being obligated to incorporate such changes in products previously sold. This warranty is not intended to cover or include the following items, which are set forth by way of example and not limitation:

- A. Normal deterioration of trim, paint, lettering, and appearance items due to wear or exposure to weather, road conditions, road treatments, etc.
- B. Any damage or defect due to accident, misuse, abuse, improper or unauthorized repairs, failure to provide reasonable and necessary maintenance, or uses for which the equipment was not designed or intended.
- C. Alterations or modifications that affect performance, operation or reliability.
- D. Normal maintenance parts including, but not limited to, wear pads, bushings, wire rope, mud flaps, fenderettes, light bulbs, hydraulic oil, filters, and tow sling belts.

IT IS EXPRESSLY UNDERSTOOD THAT MILLER MAKES NO IMPLIED WARRANTY THAT MILLER PRODUCTS SHALL BE FIT FOR THE PURPOSE OF LIFTING OR MOVING PEOPLE OR FOR ANY OTHER IMPROPER USE.



Miller Industries Towing Equipment Inc.
8503 Hilltop Drive
Ooltewah, Tennessee 37363

Telephone (423) 238-4171

SERIAL NUMBER

Section VI - PARTS

This Section is provided by the manufacturer for the purpose of ordering any component part of the **1040B Wrecker** and **SDU Underlift** that may be required when part replacement is necessary. Be certain to use only original equipment replacement parts for warranty purposes as well as for keeping your **1040B Wrecker** and **SDU Underlift** in its original state and optimum operating capacities.

When ordering replacement or spare parts be sure to provide the following information to the manufacturer's **Parts Department**.

1. **Manual Number & Date of Publication**
2. **Manual Page Number**
3. **Page Title**
4. **Reference Number of Part Desired**
5. **Part Number**
6. **Part Description**
7. **Quantity of Part Desired**

Providing this information will help ensure that the correct parts will be delivered to you in an expedient manner without delay. Should additional information be required for repair or replacement of certain components, contact your Wrecker Manufacturer Authorized Representative.

The Manufacturer reserves the right, without notice or obligation, to improve or modify their products, which may change the specifications, models and feature availability.

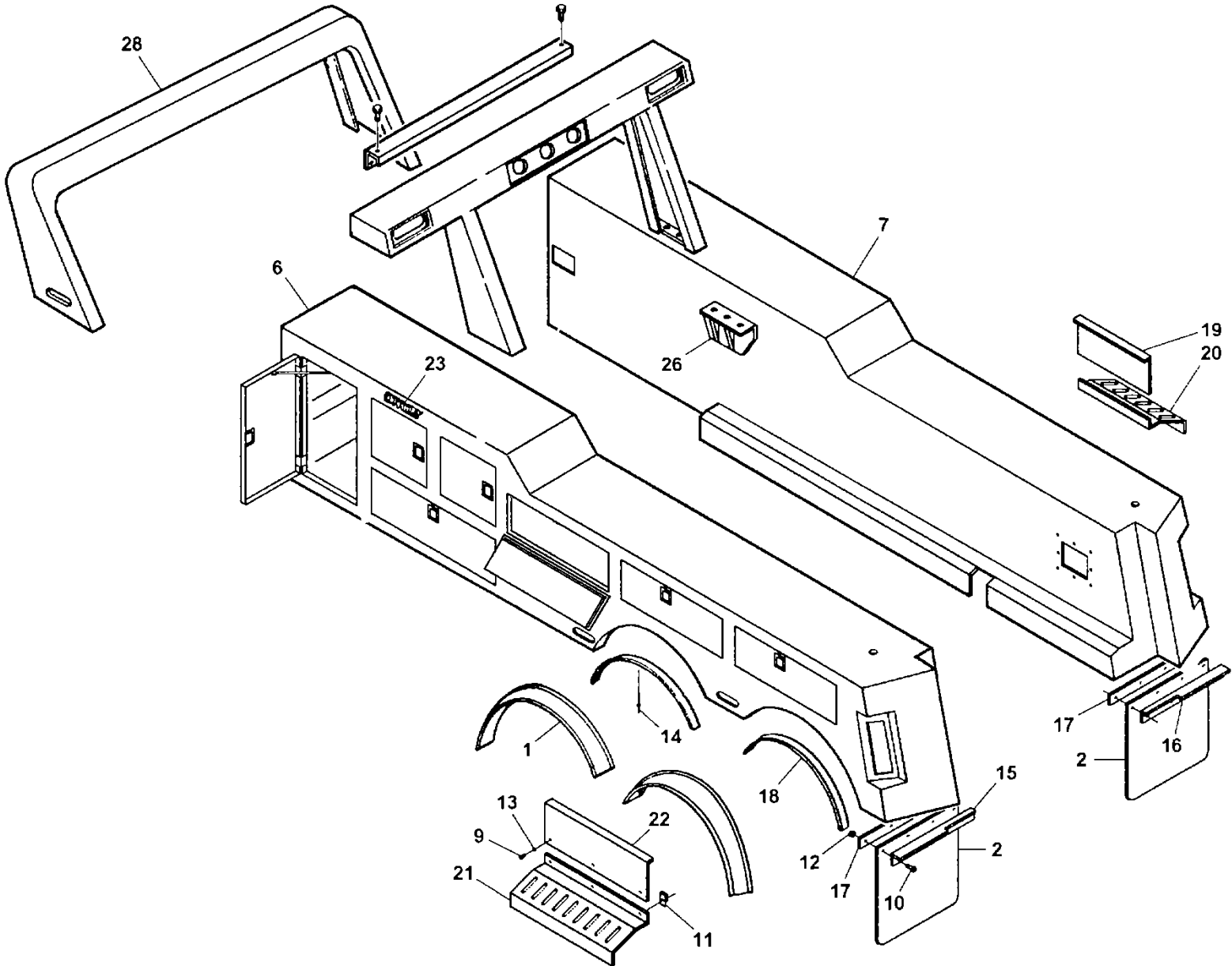
Section VI - PARTS (cont'd)
SUBFRAME ASSEMBLY

Section VI - PARTS (cont'd)

SUBFRAME ASSEMBLY

| REF. NO. | NO. REQ'D | PART NUMBER | DESCRIPTION |
|----------|-----------|-------------|-------------------------------------|
| 1 | 2 | 0300113 | GREASE FITTING |
| 2 | 2 | 0301208 | HOLE PLUG, 7/8" |
| 3 | 10 FT. | 0301851 | TRIM LOCK, 1/8" |
| 4 | 8 | 0302540 | CENTER BONDED MOUNT |
| 5 | 12 | 0302541 | SPECIAL WASHER |
| 6 | 2 | 0303688 | SPADE CYLINDER |
| 7 | 34 | 0400066 | SCREW, 1/4"-20 X 3/4" HEX HD CAP |
| 8 | 6 | 0400130 | SCREW, 3/8"-16 X 3-1/2" HEX HD CAP |
| 9 | 4 | 0400139 | SCREW, 3/8"-16 X 1-1/2" HEX SKT SET |
| 10 | 4 | 0400276 | SCREW, 5/8"-11 X 4-1/2" HEX HD CAP |
| 11 | 4 | 0400281 | SCREW, 3/4"-10 X 3-1/2" HEX HD CAP |
| 12 | 4 | 0400294 | SCREW, 3/4"-10 X 6-1/2" HEX HD CAP |
| 13 | 10 | 0400392 | NUT, 3/8"-16 HEX NYLOK |
| 14 | 4 | 0400430 | NUT, 3/4"-10 HEX NYLOK |
| 15 | 34 | 0400452 | LOCKWASHER, 1/4" HELICAL |
| 16 | 8 | 0400506 | WASHER, 5/8" FLAT |
| 17 | 4 | 0400508 | LOCKWASHER, 5/8" HELICAL |
| 18 | 8 | 0400510 | WASHER, 3/4" FLAT |
| 19 | 2 | 0700884 | SHAFT, LOWER JACK |
| 20 | 2 | 0703441 | ROLLER, FAIRLEAD |
| 21 | 2 | 0703442 | SKID, FAIRLEAD |
| 22 | 2 | 0707117 | SHAFT, UPPER SPADE |
| 23 | 2 | 0707194 | FLOOR PLATE, ACCESS COVER |
| 24 | 2 | 0707199 | PIN, SPADE PAD |
| -- | 4 | 0301551 | CABLE SLEEVE, 1/16" DIA |
| -- | 4 | 0301553 | 1/16" CABLE ASSEMBLY, 17" |
| -- | 2 | 0302474 | LYNCH PIN |
| -- | 4 | 0400044 | DRIVE SCREW, # 10 X 1/2" RD HD |
| -- | 2 | 0400563 | ROLL PIN, 3/16" X 1-3/4" |
| -- | 2 | 0702604 | PROTECTIVE HOSE TUBE, 14" |
| 25 | 2 | 0710502 | MOUNTING PLATE |
| 26 | 1 | 0711820 | LIFT CYLINDER COVER |
| 27 | 1 | 0801035 | BRACKET, FAIRLEAD |
| 28 | 1 | 0801061 | COVER, SPADE TUBE |
| 29 | 2 | 0802221 | SPADE PAD |
| 30 | 1 | 0802398 | INNER SPADE WELDMENT, LEFT |
| 31 | 1 | 0802399 | INNER SPADE WELDMENT, RIGHT |
| 32 | 1 | 0802868 | FRONT BODY MOUNTING TUBE |
| 33 | 1 | 0803036 | ALUMINUM BODY CROSSMEMBER WLDMT |
| 34 | 1 | 0803402 | SUBFRAME WELDMENT |

Section VI - PARTS (cont'd)
BODY ASSEMBLY - 1040B / SDU



Section VI - PARTS (cont'd)

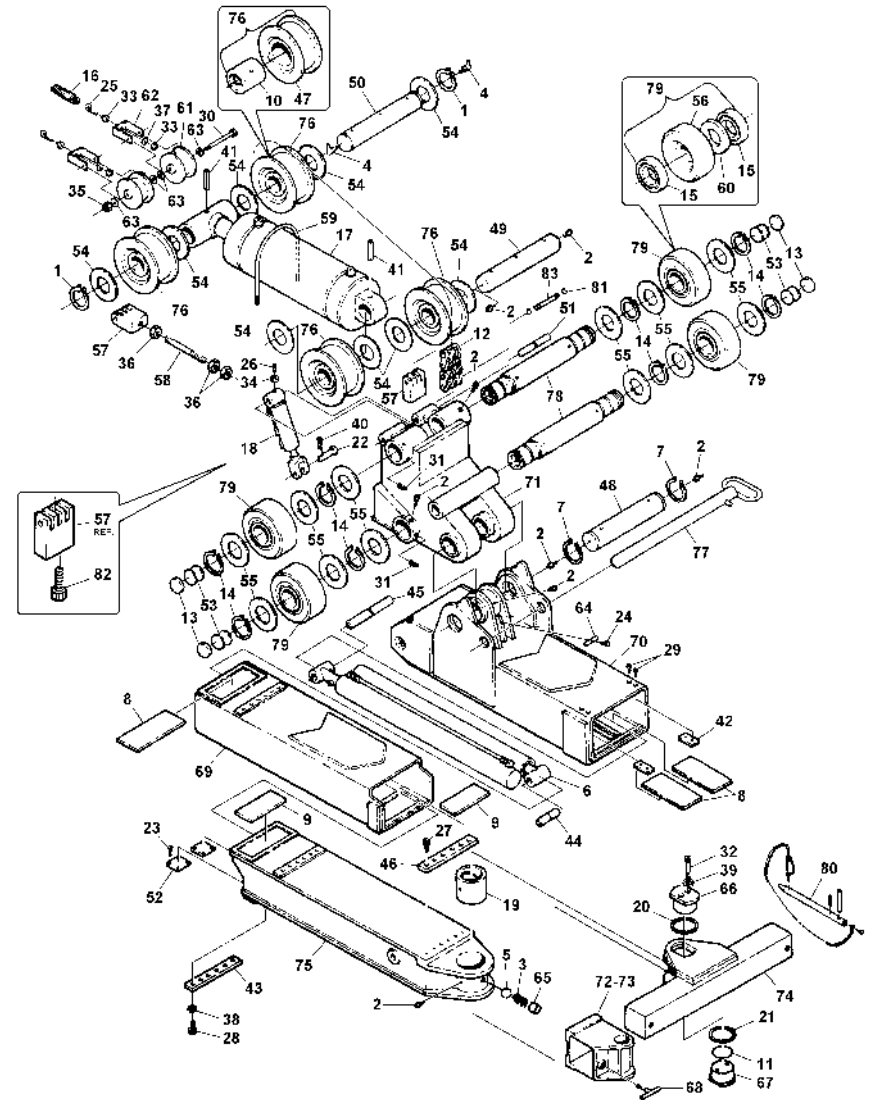
BODY ASSEMBLY - 1040B / SDU

| REF. NO. | NO. REQ'D | PART NUMBER | DESCRIPTION |
|----------|-----------|-------------|--|
| 1 | 1 | 030 | LEFT TOOL COMPARTMENT |
| 2 | 1 | 030 | RIGHT TOOL COMPARTMENT |
| 3 | 6 | 0400061 | SCREW, 1/4"-20 X 3/4" PAN HD MACH |
| 4 | 8 | 0400101 | SCREW, 5/16"-18 X 1" RD HD MACH |
| 5 | 6 | 0400369 | CLIP, 1/4" "J" TINNERMAN |
| 6 | 8 | 0400379 | NUT, 5/16"-18 "J" TINNERMAN |
| 7 | 1 | 0711289 | PANEL, SWITCH |
| 8 | 1 | 0711290 | PANEL, CONTROL |
| 9 | 1 | 0711291 | PANEL, GAUGE |
| 10 | 1 | 0711292 | PANEL, CONTROL |
| -- | -- | 0900951 | BODY MOUNTING HARDWARE KIT |
| -- | 64 | 0400303 | SCREW, 7/8"-9 X 2-1/2" HEX HD CAP |
| -- | 64 | 0400436 | NUT, 7/8"-9 HEX NYLOK |
| 11 | -- | 0901496 | CENTURY NAMEPLATE KIT |
| -- | 6 | 0400035 | SCREW, # 10-24 X 1/2" OVAL HD SELF TAP |
| -- | 2 | 0500406 | CENTURY NAMEPLATE |
| -- | -- | 0902104 | MUDFLAP KIT |
| 12 | 2 | 0301223 | MUDFLAP |
| 13 | 8 | 0400122 | SCREW, 3/8"-16 X 1-1/4" HEX HD CAP |
| 14 | 8 | 0400392 | NUT, 3/8"-16 HEX NYLOK |
| 15 | 2 | 0705092 | BAR, MUDFLAP |
| -- | -- | 0902150 | RUBBER FENDER KIT |
| 16 | 28 FT. | 0300345 | FENDER, RUBBER |
| 17 | 76 | 0400566 | RIVET, 1/4" |
| 18 | 4 | 0706609 | RETAINING STRIP, RUBBER FENDER |

| REF. NO. | NO. REQ'D | PART NUMBER | DESCRIPTION |
|----------|-----------|-------------|--------------------------------------|
| -- | -- | 0903427 | DOOR SEAL KIT |
| -- | 60 FT. | 0303200 | DOOR GASKET |
| -- | 32 FT. | 0303201 | HINGE GASKET |
| -- | -- | 0903570 | DRIP RAIL KIT |
| -- | 51 | 0400025 | SCREW, # 8-32 X 3/4" RD HD SLOTTED |
| -- | 3 | 0711404 | DRIP RAIL EXTRUSION, 89" |
| -- | 2 | 0711405 | DRIP RAIL EXTRUSION, 87" |
| -- | 2 | 0711409 | DRIP RAIL EXTRUSION, 25" |
| -- | -- | 0903616 | DOOR CHECK KIT |
| -- | 4 FT. | 0303398 | CLEAR FLO TUBING |
| -- | 4 | 0303404 | 3/4" S-HOOK |
| -- | 4 FT. | 0303405 | # 3 STEEL DBL LOOP CHAIN |
| -- | 1 FT. | 0303406 | 1/4" BUNGEE CORD |
| -- | 6 | 0400045 | SCREW, # 10-32 X 1/2" RD HD THRD CUT |
| -- | -- | 0904353 | FORK STORAGE BRACKETS, ALUM. BODY |
| -- | 3 | 0400133 | SCREW, 3/8"-16 X 3" HEX HD CAP |
| -- | 3 | 0400392 | NUT, 3/8"-16 HEX NYLOK |
| -- | 1 | 0803768 | CHAIN HANGER WELDMENT |
| -- | 4 | 0400122 | SCREW, 3/8"-16 X 1-1/4" HEX HD CAP |
| -- | 3 | 0400140 | SCREW, 3/8"-16 X 4" HEX HD CAP |
| -- | 7 | 0400392 | NUT, 3/8"-16 HEX NYLOK |
| -- | 1 | 0802787 | SDU VALVE BRACKET WELDMENT |

Section VI - PARTS (cont'd)

SDU ASSEMBLY



Section VI - PARTS (cont'd)

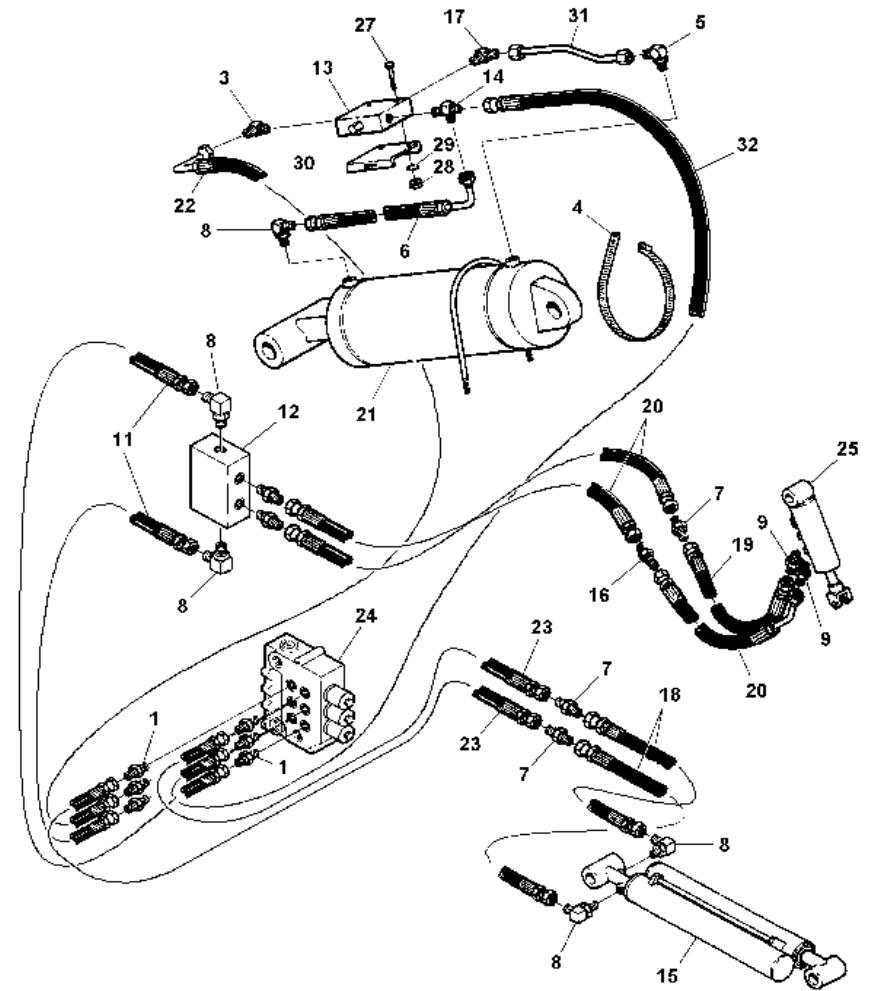
SDU ASSEMBLY

| REF. NO. | NO. REQ | PART NUMBER | DESCRIPTION |
|----------|---------|-------------|--|
| 1 | 2 | 0300108 | SNAP RING, 2-1/2" EXTERNAL |
| 2 | 10 | 0300113 | GREASE FITTING |
| 3 | 1 | 0301197 | SPRING, DETENT |
| 4 | 2 | 0301397 | GREASE FITTING, 90° |
| 5 | 1 | 0301398 | BALL, DETENT |
| 6 | 1 | 0301811 | CYLINDER, SDU BOOM EXTENSION |
| 7 | 2 | 0301814 | SNAP RING, 3-1/2" EXTERNAL |
| 8 | 3 | 0301817 | SLIDE PAD, HORIZONTAL BOOM (LARGE) |
| 9 | 2 | 0301818 | SLIDE PAD, HORIZONTAL BOOM (SMALL) |
| 10 | 4 | 0301820 | BUSHING, CHAIN SHEAVE |
| 11 | 1 | 0301822 | "O" RING, PIVOT PIN |
| 12 | 2 | 0301831 | LIFT CHAIN |
| 13 | 4 | 0301833 | SPACER PAD, ROLLER SHAFT |
| 14 | 8 | 0301835 | EXT. RETAINING RING, ROLLER SHAFT |
| 15 | 8 | 0301838 | BEARING, ROLLER |
| 16 | 4 | 0301869 | SPRING, HOSE TENSIONER PULLEY |
| 17 | 1 | 0302352 | CYLINDER, SDU BOOM LIFT |
| 18 | 1 | 0303042 | CYLINDER, SDU BOOM FOLDING |
| 19 | 1 | 0303088 | BUSHING, PIVOT PIN |
| 20 | 1 | 0303097 | THRUST WASHER, 1/8" |
| 21 | 1 | 0303098 | THRUST WASHER, 1/16" |
| 22 | 1 | 0304246 | CLEVIS PIN, FOLD CYLINDER |
| 23 | 8 | 0400044 | SCREW, # 10 X 1/2" TYPE "U" DRIVE |
| 24 | 1 | 0400066 | SCREW, 1/4"-20 X 3/4" HEX HD CAP |
| 25 | 4 | 0400082 | EYEBOLT, 1/4"-20 X 1-1/8" |
| 26 | 3 | 0400139 | SCREW, 3/8"-16 X 1-1/2" SKT HD SET |
| 27 | 6 | 0400142 | SCREW, 3/8"-16 X 3/4" SKT HD CAP |
| 28 | 6 | 0400151 | SCREW, 3/8"-24 X 3/4" HEX HD CAP |
| 29 | 4 | 0400152 | SCREW, 3/8"-24 X 5/8" FLAT SKT HD |
| 30 | 1 | 0400190 | SCREW, 1/2"-13 X 6-1/2" HEX HD CAP |
| 31 | 2 | 0400204 | SCREW, 1/2"-13 X 3/4" SKT HD SET, CUP PT |
| 32 | 2 | 0400271 | SCREW, 5/8"-11 X 4-1/2" SKT HD CAP |
| 33 | 4 | 0400367 | NUT, 1/4"-20 HEX NYLOK |
| 34 | 3 | 0400392 | NUT, 3/8"-16 HEX NYLOK |
| 35 | 1 | 0400408 | NUT, 1/2"-13 HEX NYLOK |
| 36 | 6 | 0400445 | NUT, 1"-14 HEX |
| 37 | 2 | 0400451 | WASHER, 1/4" FLAT |
| 38 | 6 | 0400481 | LOCKWASHER, 3/8" EXT TOOTH |
| 39 | 2 | 0400508 | LOCKWASHER, 5/8" HELICAL |
| 40 | 1 | 0400548 | COTTER PIN, 3/16" X 2" |
| 41 | 2 | 0400572 | SPRING PIN, 1/2" X 4" |
| 42 | 2 | 0703231 | STOP PLATE, OUTER BOOM |

| REF. NO. | NO. REQ | PART NUMBER | DESCRIPTION |
|----------|---------|-------------|------------------------------------|
| 43 | 1 | 0703233 | STOP PLATE |
| 44 | 1 | 0703235 | SHAFT, INNER BOOM CYLINDER |
| 45 | 1 | 0703236 | SHAFT, OUTER BOOM CYLINDER |
| 46 | 1 | 0703238 | BAR, THIRD STAGE BOOM RETRACTING |
| 47 | 4 | 0703239 | SHEAVE, LIFT CHAIN |
| 48 | 1 | 0703243 | SHAFT, BOOM PIVOT |
| 49 | 1 | 0703244 | SHAFT, CYLINDER END, LIFT CYLINDER |
| 50 | 1 | 0703245 | SHAFT, ROD END, LIFT CYLINDER |
| 51 | 1 | 0703259 | SHAFT, VERTICAL BOOM CYLINDER |
| 52 | 2 | 0703277 | PAD, SLIDER |
| 53 | 4 | 0703394 | SHIM, ROLLER SHAFT |
| 54 | 8 | 0703396 | SPACER, SHEAVE WHEEL |
| 55 | 12 | 0703397 | SPACER, ROLLER |
| 56 | 4 | 0703405 | ROLLER |
| 57 | 4 | 0703407 | BRACKET, LIFT CHAIN ATTACHING |
| 58 | 2 | 0703415 | ROD, CHAIN TENSIONER |
| 59 | 1 | 0703416 | "U" BOLT, LIFT CYLINDER RETAINING |
| 60 | 4 | 0703462 | SPACER, ROLLER BEARING |
| 61 | 2 | 0703484 | PULLEY, HOSE TENSIONER |
| 62 | 2 | 0703487 | BRACKET, HOSE TENSIONER |
| 63 | 4 | 0703488 | WASHER, HOSE TENSIONER |
| 64 | 1 | 0703583 | BAR, HYDRAULIC HOSE RETAINING |
| 65 | 1 | 0708470 | SPACER, DETENT SPRING |
| 66 | 1 | 0710051 | PIVOT PIN, TOP HALF |
| 67 | 1 | 0710052 | PIVOT PIN, BOTTOM HALF |
| 68 | 2 | 0800590 | TEE HANDLE |
| 69 | 1 | 0800998 | SECOND STAGE BOOM WELDMENT, SDU |
| 70 | 1 | 0801001 | OUTER BOOM WELDMENT, SDU |
| 71 | 1 | 0801040 | VERTICAL BOOM WELDMENT |
| 72 | 1 | 0802155 | FORK ADAPTER, LEFT OFFSET |
| 73 | 1 | 0802156 | FORK ADAPTER, RIGHT OFFSET |
| 74 | 1 | 0802914 | CROSSBAR WELDMENT |
| 75 | 1 | 0802915 | THIRD STAGE BOOM WELDMENT, SDU |
| 76 | 4 | 0900864 | SHEAVE ASSEMBLY, LIFT CHAIN |
| 77 | 1 | 0900879 | SAFETY LOCK PIN ASSEMBLY |
| 78 | 2 | 0900880 | SHAFT, ROLLER |
| 79 | 4 | 0900888 | ROLLER & BEARING ASSEMBLY |
| 80 | 2 | 0900900 | RETAINER PIN ASSEMBLY |
| 81 | 8 | 0300358 | SCREW, 1"-14NF X 2" SKT HD CAP |
| 82 | 4 | 0400317 | SNAP RING, 9/16" EXTERNAL |
| 83 | 2 | 0703234 | PIN, LIFT CHAIN |

Section VI - PARTS (cont'd)

SDU HYDRAULICS



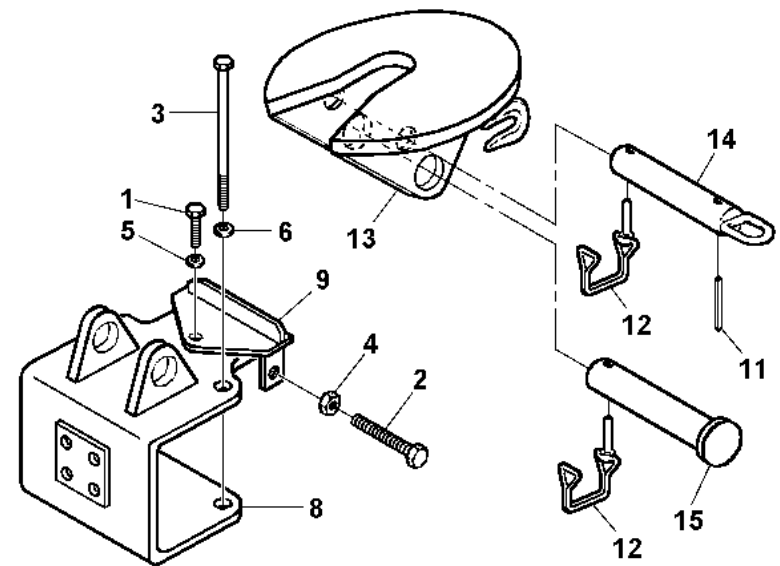
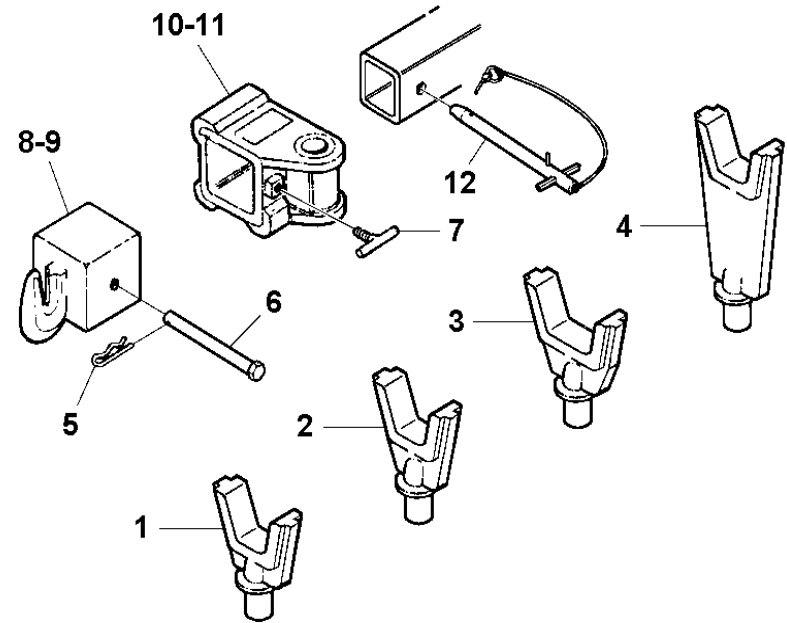
Section VI - PARTS (cont'd)

SDU HYDRAULICS

| REF. NO. | NO. REQ. | PART NUMBER | DESCRIPTION |
|----------|----------|-------------|--|
| 1 | 6 | 0300044 | CONNECTOR, 6MJ-8MB |
| 2 | 20 | 0300132 | CABLE TIE, BLACK (Not Shown) |
| 3 | 1 | 0300209 | ELBOW, 6MJ-6MP90 |
| 4 | 1 | 0300644 | HOSE CLAMP, 8" |
| 5 | 1 | 0300901 | ELBOW, 4TB-8MP90 |
| 6 | 1 | 0301412 | HOSE ASSEMBLY, 10-3/4" |
| 7 | 3 | 0301422 | UNION, 6MJ-6MJ HEX |
| 8 | 5 | 0301470 | ELBOW, 6MJ-8MB90 |
| 9 | 2 | 0301522 | CONNECTOR, 6MJ-6MB |
| 10 | 8 | 0301601 | HOSE CLAMP, 5/8" INSULATED (Not Shown) |
| 11 | 2 | 0301660 | HOSE ASSEMBLY, 21" |
| 12 | 1 | 0301730 | DOUBLE HOLDING VALVE |
| 13 | 1 | 0301731 | HOLDING VALVE, 4000 PSI |
| 14 | 1 | 0301782 | MALE RUN TEE, 6MJ-4MP-6MJ |
| 15 | 1 | 0301811 | CYLINDER, BOOM EXTENSION |
| 16 | 1 | 0301837 | INLINE ORIFICE |
| 17 | 1 | 0301874 | ELBOW, 4TB-6MP90 |
| 18 | 2 | 0301878 | HOSE ASSEMBLY, 137" |
| 19 | 1 | 0301879 | HOSE ASSEMBLY, 108" |
| 20 | 3 | 0301880 | HOSE ASSEMBLY, 107" |
| 21 | 1 | 0302352 | CYLINDER, SDU LIFT |
| 22 | 1 | 0302603 | HOSE ASSEMBLY, 86" |
| 23 | 2 | 0302635 | HOSE ASSEMBLY, 131" |
| 24 | 1 | 0302798 | CONTROL VALVE, VDP11DDC10 |
| 25 | 1 | 0303042 | CYLINDER, BOOM FOLD |
| 26 | 54 FT. | 0303193 | BLACK HOSE "SKUFF" JACKET (Not Shown) |
| 27 | 2 | 0400107 | SCREW, 5/16"-18 X 2-1/2" HEX HD CAP |
| 28 | 2 | 0400382 | NUT, 5/16"-18 NYLOK HEX |
| 29 | 4 | 0400463 | WASHER, 5/16" FLAT |
| 30 | 1 | 0703435 | PLATE, HOLDING VALVE MOUNTING |
| 31 | 1 | 0703545 | TUBE, LIFT CYLINDER HOLDING VALVE |
| 32 | 1 | 4823037 | HOSE ASSEMBLY, 84" |

Section VI - PARTS (cont'd)

SDU LIFT ADAPTERS & KING PIN ADAPTER



Section VI - PARTS (cont'd)

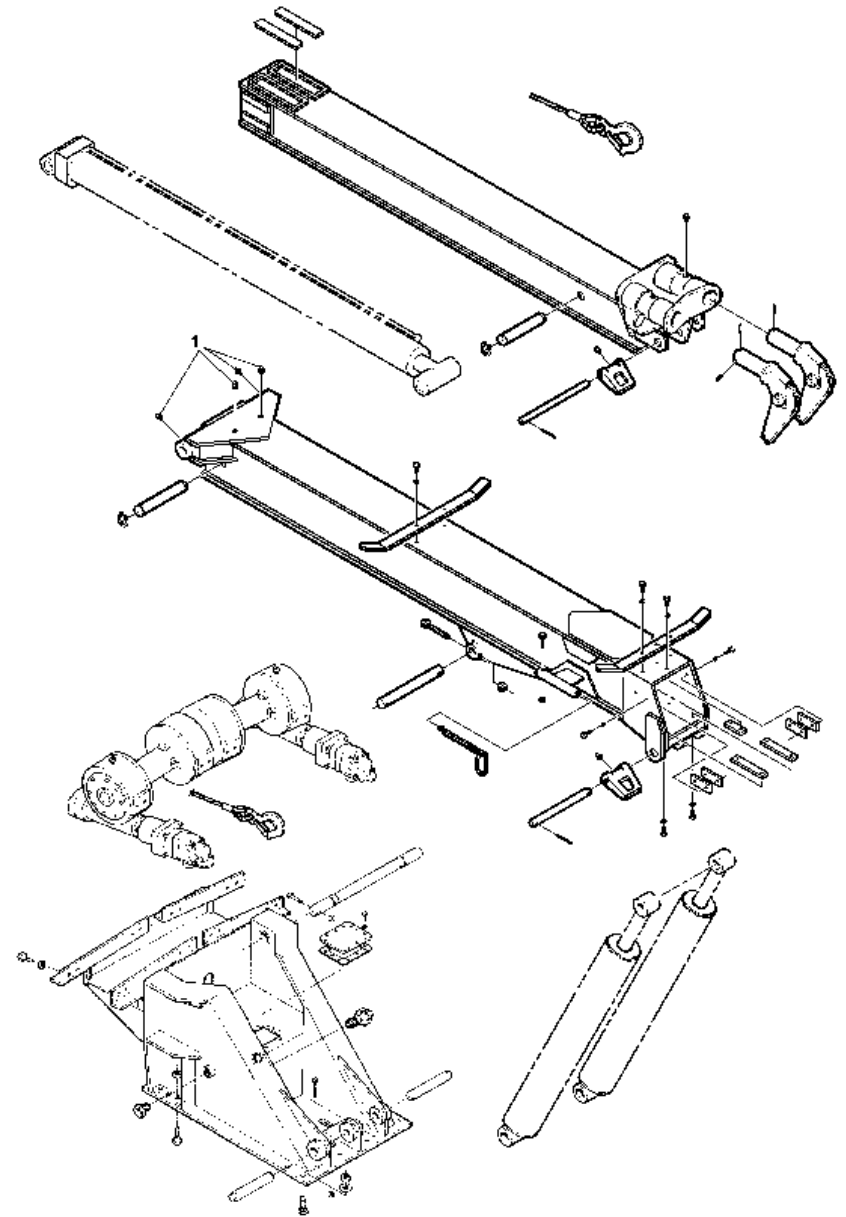
SDU LIFT ADAPTERS

| REF. NO | NO. REQ'D | PART NUMBER | DESCRIPTION |
|---------|-----------|-------------|------------------------------------|
| 1 | 2 | 0200018 | FORK, SHORT (3" OPENING) |
| 2 | 2 | 0200020 | FORK, MEDIUM (3" OPENING) |
| 3 | 2 | 0200021 | FORK, MEDIUM (4-1/2" OPENING) |
| 4 | 2 | 0200023 | FORK, LONG (4-1/2" OPENING) |
| 5 | 2 | 0400585 | HAIR PIN COTTER, 1-1/4" |
| 6 | 2 | 0711002 | MODIFIED BOLT, 5/8"-11 X 6" w/HOLE |
| 7 | 2 | 0800590 | TEE HANDLE, FORK ADAPTER |
| 8 | 1 | 0801186 | CHAIN HOOK ADAPTER, RT |
| 9 | 1 | 0801187 | CHAIN HOOK ADAPTER, LT |
| 10 | 1 | 0803591 | OFFSET FORK ADAPTER, LT |
| 11 | 1 | 0803592 | OFFSET FORK ADAPTER, RT |
| 12 | 2 | 0900900 | RETAINER PIN ASSEMBLY |

KING PIN ADAPTER

| REF. NO. | NO. REQ'D | PART NUMBER | DESCRIPTION |
|----------|-----------|-------------|---------------------------------------|
| 1 | 1 | 0400188 | SCREW, 1/2"-13 X 2" HEX HD CAP |
| 2 | 2 | 0400282 | SCREW, 3/4"-10 X 2-3/4" HEX HD CAP |
| 3 | 2 | 0400316 | SCREW, 7/8"-9 X 8" HEX HD CAP |
| 4 | 2 | 0400440 | NUT, 3/4"-10 HEX JAM |
| 5 | 1 | 0400491 | LOCKWASHER, 1/2" HELICAL |
| 6 | 2 | 0400515 | LOCKWASHER, 7/8" HELICAL |
| 7 | 1 | 0706623 | ADAPTER, TRAILER KING PIN (NOT SHOWN) |
| 8 | 1 | 0802961 | BRACKET WELDMENT |
| 9 | 1 | 0802962 | LOCK PLATE WELDMENT |
| -- | 1 | 0902782 | FIFTH WHEEL ADAPTER (COMPLETE) |
| 10 | 1 | 0400303 | SCREW, 7/8"-9 X 2-1/2" HEX HD CAP |
| 11 | 1 | 0400555 | ROLL PIN, 3/8" X 1-1/2" |
| 12 | 2 | HD1259 | PIN, SNAPPER |
| 13 | 1 | VA0660 | 5TH WHEEL PIVOT PLATE WELDMENT |
| 14 | 1 | VA0661 | PULL PIN WELDMENT |
| 15 | 1 | VA0662 | PIVOT PIN WELDMENT |

Section VI - PARTS (cont'd)
1040B WRECKER ASSEMBLY



Section VI - PARTS (cont'd)

1040B WRECKER ASSEMBLY

| REF. NO. | NO. REQ'D | PART NUMBER | DESCRIPTION |
|----------|-----------|-------------|---------------------------------------|
| 1 | 6 | 0300113 | GREASE FITTING |
| 2 | 4 | 0300329 | SNAP RING, 2" EXTERNAL |
| 3 | 1 | 0301110 | LH WINCH, H-800 |
| 4 | 1 | 0301111 | RH WINCH, H-800 |
| 5 | 2 | 0301112 | HYDRAULIC MOTOR |
| 6 | 2 | 0301224 | WIRE ROPE, 6 X 19 IPS, 5/8" X 200 FT. |
| 7 | 1 | 0301541 | SIGHT GAGE, TYPE S-1 |
| 8 | 2 | 0301691 | OBLONG MASTER LINK |
| 9 | 2 | 0301923 | SLIDE PAD, BOOM BOTTOM |
| 10 | 2 | 0301924 | SLIDE PAD, BOOM SIDE |
| 11 | 2 | 0302222 | BOOM LIFT CYLINDER |
| 12 | 2 | 0302273 | SPRING, WINCH CABLE TIE BACK |
| 13 | 2 | 0302290 | SLIDE PAD |
| 14 | 1 | 0303356 | BOOM EXTEND CYLINDER |
| 15 | 1 | 0305006 | CAP, FILLER |
| 16 | 6 | 0400036 | SCREW, # 10-32 X 1" RD HD MACH |
| 17 | 4 | 0400066 | SCREW, 1/4"-20 X 3/4" HEX HD CAP |
| 18 | 4 | 0400121 | SCREW, 3/8"-16 X 3/4" HEX HD CAP |
| 19 | 13 | 0400122 | SCREW, 3/8"-16 X 1-1/4" HEX HD CAP |
| 20 | 4 | 0400126 | SCREW, 3/8"-16 X 1" HEX HD CAP |
| 21 | 2 | 0400141 | SCREW, 3/8"-16 X 7/8" HEX HD CAP |
| 22 | 4 | 0400167 | SCREW, 3/8"-16 X 3-3/4" HEX HD CAP |
| 23 | 8 | 0400188 | SCREW, 1/2"-13 X 2" HEX HD CAP |
| 24 | 2 | 0400205 | SCREW, 1/2"-13 X 3" HEX HD CAP |
| 25 | 1 | 0400206 | SCREW, 1/2"-13 X 5" HEX HD CAP |
| 26 | 4 | 0400248 | SCREW, 5/8"-11 X 1" HEX HD CAP |
| 27 | 16 | 0400283 | SCREW, 3/4"-10 X 2" HEX HD CAP |
| 28 | 7 | 0400306 | SCREW, 7/8"-9 X 3" HEX HD CAP |
| 29 | 8 | 0400307 | SCREW, 7/8"-9 X 4" HEX HD CAP |
| 30 | 6 | 0400357 | NUT, # 10-32 NYLOK HEX |
| 31 | 6 | 0400392 | NUT, 3/8"-16 NYLOK HEX |

| REF. NO. | NO. REQ'D | PART NUMBER | DESCRIPTION |
|----------|-----------|-------------|------------------------------|
| 32 | 3 | 0400408 | NUT, 1/2"-13 NYLOK HEX |
| 33 | 15 | 0400437 | NUT, 7/8"-9 NYLOK HEX |
| 34 | 4 | 0400451 | WASHER, 1/4" FLAT |
| 35 | 4 | 0400481 | LOCKWASHER, 3/8" EXT. TOOTH |
| 36 | 2 | 0400480 | WASHER, 3/8" FLAT |
| 37 | 10 | 0400482 | LOCKWASHER, 3/8" HELICAL |
| 38 | 8 | 0400491 | LOCKWASHER, 1/2" HELICAL |
| 39 | 4 | 0400508 | LOCKWASHER, 5/8" HELICAL |
| 40 | 16 | 0400511 | LOCKWASHER, 3/4" HELICAL |
| 41 | 6 | 0400557 | ROLL PIN, 1/2" X 1-1/4" |
| 42 | 2 | 0700628 | SHAFT, LIFT CYLINDER ROD |
| 43 | 2 | 0703442 | SKID, FAIRLEAD ASSEMBLY |
| 44 | 2 | 0703734 | SHIM, SIDE PLATE, OUTER BOOM |
| 45 | 1 | 0705870 | CABLE SUPPORT WING, BOOM END |
| 46 | 1 | 0705902 | SHAFT, BOOM PIVOT |
| 47 | 1 | 0705903 | TOP SPACER, OUTER BOOM |
| 48 | 1 | 0705908 | SHAFT, ROD END |
| 49 | 1 | 0705909 | SHAFT, BASE END |
| 50 | 1 | 0705910 | COVER PLATE |
| 51 | 1 | 0706042 | CABLE WING, LONG |
| 52 | 1 | 0706114 | COVER GASKET |
| 53 | 2 | 0706122 | SHAFT, LOWER LIFT CYLINDER |
| 54 | 8 | 0706668 | SHIM, WINCH MOUNTING |
| 55 | 1 | 0801953 | 1040B WRECKER FRAME |
| 56 | 1 | 0803208 | INNER BOOM WELDMENT |
| 57 | 1 | 0803209 | OUTER BOOM WELDMENT |
| 58 | 1 | 0803243 | CYLINDER SUPPORT WELDMENT |
| 59 | 1 | 0803244 | CYLINDER SUPPORT STRAP |
| 60 | 1 | 0901673 | BOOM SWIVEL ASSEMBLY, LEFT |
| 61 | 1 | 0901674 | BOOM SWIVEL ASSEMBLY, RIGHT |

Section VI - PARTS (cont'd)

**1040B WRECKER HYDRAULICS
(LESS BOOM ELEVATION HYDRAULICS)**

Section VI - PARTS (cont'd)
1040B WRECKER HYDRAULICS
(LESS BOOM ELEVATION HYDRAULICS)

| REF. NO. | NO. REQ'D | PART NUMBER | DESCRIPTION |
|----------|-----------|-------------|-------------------------------|
| 1 | REF. | 0300010 | CONTROL VALVE, VDP11DDD108 |
| 2 | 6 | 0300041 | CONNECTOR, 8MJ-8MB |
| 3 | 2 | 0300113 | GREASE FITTING |
| 4 | 2 | 0301112 | HYDRAULIC WINCH MOTOR |
| 5 | 4 | 0301228 | CONNECTOR, 10MJ-16MB |
| 6 | 5 | 0301487 | HOSE CLAMP, 1/2" |
| 7 | 3 | 0301893 | HOSE ASSEMBLY, 84" |
| 8 | 1 | 0301906 | HOLDING VALVE |
| 9 | 4 | 0301982 | BULKHEAD ELBOW w/ NUT, 12MJ90 |
| 10 | 2 | 0302222 | CYLINDER, BOOM LIFT |
| 11 | 3 | 0302308 | HOSE ASSEMBLY, 75" |
| 12 | 2 | 0302321 | ELBOW, 8MJ-8MB45 |
| 13 | 4 | 0302630 | HOSE ASSEMBLY, 58" |
| 14 | 2 | 0302955 | HOSE ASSEMBLY, 48-1/4" |
| 15 | 1 | 0303356 | CYLINDER, BOOM EXTEND |
| 16 | 2 | 0303590 | BULKHEAD ELBOW w/ NUT, 8MJ90 |

Section VI - PARTS (cont'd)
1040B BOOM ELEVATION HYDRAULICS

Section VI - PARTS (cont'd)

1040B BOOM ELEVATION HYDRAULICS

| REF. NO. | NO. REQ'D | PART NUMBER | DESCRIPTION |
|----------|-----------|-------------|------------------------------------|
| 1 | REF. | 0300010 | CONTROL VALVE, VDP11DDD108 |
| 2 | 2 | 0300040 | CONNECTOR, 8MJ-8MP |
| 3 | 3 | 0300041 | CONNECTOR, 8MJ-8MB |
| 4 | 4 | 0300113 | GREASE FITTING |
| 5 | 1 | 0300644 | HOSE CLAMP, 8" |
| 6 | 1 | 0300761 | STRAIGHT ADAPTER |
| 7 | 2 | 0300762 | MALE CONNECTOR |
| 8 | 1 | 0300763 | MALE ELBOW |
| 9 | 1 | 0300766 | MALE BRANCH TEE |
| 10 | 2 | 0300901 | ELBOW |
| 11 | 1 | 0301445 | CONNECTOR, 8MJ-8MBL |
| 12 | 4 | 0301471 | HOSE ASSEMBLY, 30" |
| 13 | 5 | 0301487 | HOSE CLAMP, 1/2" |
| 14 | 2 | 0301712 | HOSE ASSEMBLY, 64" |
| 15 | 1 | 0301906 | HOLDING VALVE |
| 16 | 2 | 0302222 | CYLINDER, BOOM LIFT |
| 17 | 5 | 0400066 | SCREW, 1/4"-20 X 3/4" HEX HD CAP |
| 18 | 2 | 0400146 | NUT, 1/4"-20 HEX NYLOK |
| 19 | 5 | 0400367 | SCREW, 3/8"-16 X 2-1/4" HEX HD CAP |
| 20 | 2 | 0400392 | NUT, 3/8"-16 HEX NYLOK |
| 21 | 1 | 0703745 | TUBE, EXTEN. ELEV. CYLINDER |
| 22 | 1 | 0705834 | TUBE |
| 23 | 1 | 0705835 | TUBE |
| 24 | 1 | 0705867 | TUBE, HYD. PIPE, ELEV. CYLINDER |
| 25 | 1 | 0709710 | TUBE, EXTEN. ELEV. CYLINDER |
| 26 | 1 | 0709711 | TUBE, EXTEN. ELEV. CYLINDER |
| 27 | 1 | 0802883 | BRACKET, HOLDING VALVE |
| 28 | 1 | HC1413 | TEE FITTING |

Section VI - PARTS (cont'd)
PUMP, VALVE & FILTER HYDRAULICS

Section VI - PARTS (cont'd)

PUMP, VALVE & FILTER HYDRAULICS

| REF. NO. | NO. REQ'D | PART NUMBER | DESCRIPTION |
|----------|-----------|-------------|------------------------------------|
| 1 | 2 | 0300010 | CONTROL VALVE, VDP11DDD108 |
| 2 | 6 | 0300044 | CONNECTOR, 6MJ-8MB |
| 3 | 4 | 0300052 | ELBOW, 8MJ-10MB90 |
| 4 | 4 | 0300055 | BARB, 12C4-12MP |
| 5 | 1 | 0300286 | ADAPTER, H.P.C.O. |
| 6 | 4 | 0300364 | HOSE CLAMP, 1" - 2-1/4" |
| 7 | 1 | 0300446 | PIPE PLUG, 3/4" NPT MALE |
| 8 | 2 | 0300628 | RETURN LINE FILTER ASSEMBLY |
| 9 | 2 | 0300660 | HOSE ASSEMBLY, 120" |
| 10 | 2 | 0300666 | BARB, 24C4-24MP |
| 11 | 24 FT. | 0300671 | HOSE, 1-1/2" SUCTION |
| 12 | 2 | 0300692 | STREET ELBOW, 90°, 1" |
| 13 | 2 | 0300865 | CONNECTOR, 8MJ-8MJ |
| 14 | 2 | 0300891 | PIPE NIPPLE, 1-1/2" X 3" |
| 15 | 2 | 0301373 | PIPE BUSHING, 2" NPT - 1-1/2" NPT |
| 16 | 2 | 0301375 | ELBOW, 12MB-12FP90 |
| 17 | 1 | 0301388 | ELBOW, 8MJ-8MB90 |
| 18 | 1 | 0301507 | HYDRAULIC PUMP, OPPOSITE ENGINE |
| 19 | 2 | 0301529 | HOSE ASSEMBLY, 58" |
| 20 | 4 | 0301547 | ELBOW, 8MJ-12MB90 |
| 21 | 18 FT. | 0301674 | HOSE, 3/4" RETURN |
| 22 | 3 | 0301880 | HOSE ASSEMBLY, 107" |
| 23 | 2 | 0301995 | ADAPTER, 8FJ-6MJ |
| 24 | 2 | 0302052 | RUN TEE, 8MJ-8FJX-8MJ |
| 25 | 2 | 0302088 | BALL VALVE, BRONZE |
| 26 | 3 | 0302205 | GAUGE, FLUSH MOUNT, 6000 PSI |
| 27 | 1 | 0302242 | FLANGE FITTING, 24FL-24HOSE90 |
| 28 | 2 | 0302277 | HOSE ASSEMBLY, 106" |
| 29 | 3 | 0302577 | CONNECTOR, 6MJ-4FP |
| 30 | 1 | 0302603 | HOSE ASSEMBLY, 86" |
| 31 | 2 | 0302635 | HOSE ASSEMBLY, 131" |
| 32 | 1 | 0302798 | CONTROL VALVE, VDP11DDC132 |
| 33 | 2 | 0302983 | STREET ELBOW, 1-1/2" 45° |
| 34 | 1 | 0303032 | ELBOW, 24MJ-20MB90 |
| 35 | 1 | 0303033 | HOSE BARB, 24C4-24FJX |
| 36 | 1 | 0303190 | HOSE ASSEMBLY, 84" |
| 37 | 6 | 0303290 | HOSE CLAMP, 2-1/2" INSULATED |
| 38 | 9 | 0400021 | SCREW, # 8-32 X 1/2" RD HD MACH |
| 39 | 6 | 0400135 | SCREW, 3/8"-16 X 4-1/2" HEX HD CAP |
| 40 | 9 | 0400351 | HEX NUT & STAR WASHER, # 8-32 |
| 41 | 6 | 0400392 | NUT, 3/8"-16 NYLOK HEX |
| 42 | 6 | 0704045 | SPACER, CONTROL VALVE |

Section VI - PARTS (cont'd)
AIR FREE SPOOL

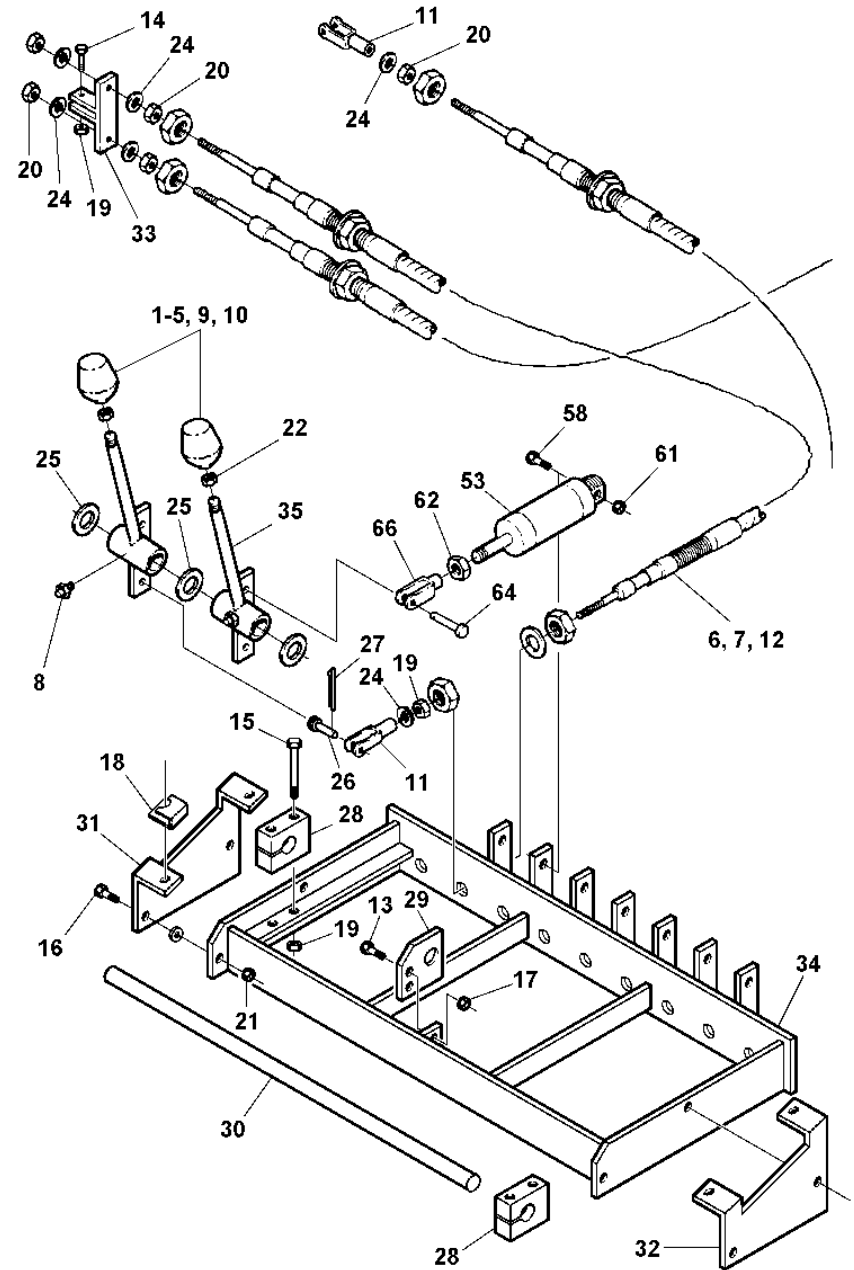
Section VI - PARTS (cont'd)

AIR FREE SPOOL

| REF. NO. | NO. REQ | PART NUMBER | DESCRIPTION |
|----------|---------|-------------|------------------------------------|
| 1 | 2 | 0300324 | SOLENOID VALVE, AIR CONTROL |
| 2 | 2 | 0300897 | RUBBER GROMMET |
| 3 | 1 | 0301110 | WINCH, H-800 LEFT |
| 4 | 1 | 0301111 | WINCH, H-800 RIGHT |
| 5 | 2 | 0301574 | ELBOW, 4TB-4MP90 |
| 6 | 18 FT. | 0301577 | AIR HOSE, 1/4" O.D. |
| 7 | 2 | 0301893 | HOSE ASSEMBLY, 84" |
| 8 | 2 | 0302055 | AIR CYLINDER |
| 9 | 7 FT. | 0302431 | CONVOLUTED LOOM, 3/8" |
| 10 | 1 | 0302607 | TEE UNION, 4TB-4TB-4TB |
| 11 | 2 | 0302677 | BREATHER VENT, 1/8" MP |
| 12 | 4 | 0302678 | ELBOW, 4TB-2MP90 |
| 13 | 1 | 0302744 | AIR FREE SPOOL HARNESS |
| 14 | 4 | 0400034 | SCREW, # 10-32 X 1/2" RD HD PHIL |
| 15 | 8 | 0400059 | SCREW, 1/4"-20 X 5/8" HEX HD CAP |
| 16 | 2 | 0400121 | SCREW, 3/8"-16 X 3/4" HEX HD CAP |
| 17 | 4 | 0400122 | SCREW, 3/8"-16 X 1-1/4" HEX HD CAP |
| 18 | 2 | 0400132 | SCREW, 3/8"-16 X 1-1/2" HEX HD CAP |
| 19 | 4 | 0400356 | NUT, # 10-32 HEX |
| 20 | 8 | 0400367 | NUT, 1/4"-20 HEX NYLOK |
| 21 | 8 | 0400392 | NUT, 3/8"-16 HEX NYLOK |
| 22 | 2 | 0400412 | NUT, 1/2"-20 HEX JAM |
| 23 | 8 | 0400480 | WASHER, 3/8" FLAT |
| 24 | 2 | 0400510 | WASHER, 3/4" FLAT |
| 25 | 4 | 0400520 | LOCKWASHER, # 10 HELICAL |
| 26 | 2 | 0400530 | CLEVIS PIN, 5/16" X 1-1/4" |
| 27 | 2 | 0400543 | COTTER PIN, 1/8" X 3/4" |
| 28 | 2 | 0702382 | MOUNTING ANGLE |
| 29 | 2 | 0706859 | CHANNEL, CYLINDER MOUNTING |
| 30 | 2 | 0706860 | CHANNEL, CYLINDER COVER |
| 31 | 2 | 0800772 | ADJUSTMENT YOKE |

Section VI - PARTS (cont'd)

LEFT CONTROL ASSEMBLY



Section VI - PARTS (cont'd)

LEFT CONTROL ASSEMBLY

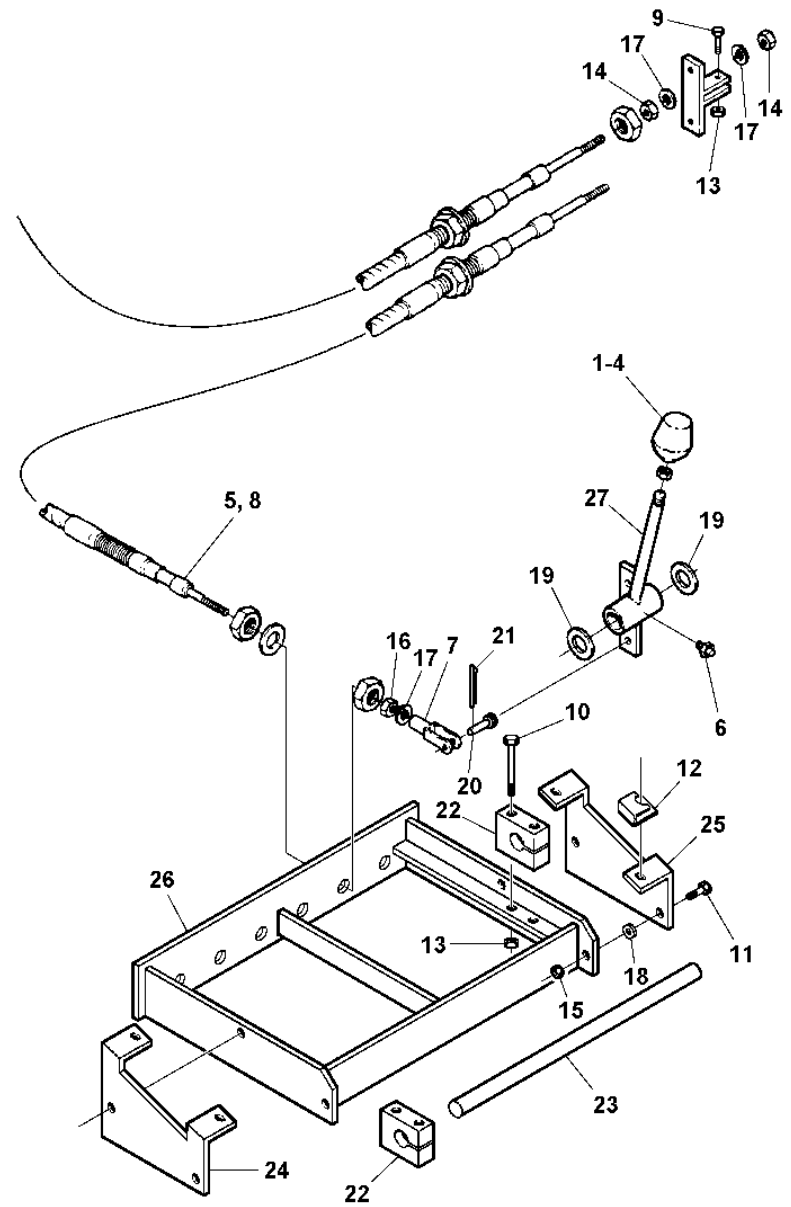
| REF. NO. | NO. REQ | PART NUMBER | DESCRIPTION |
|----------|---------|-------------|-------------------------------------|
| 1 | 1 | 0300341 | CONTROL KNOB, W/L (UP/DOWN) |
| 2 | 2 | 0300834 | CONTROL KNOB, (IN/OUT) |
| 3 | 1 | 0300835 | CONTROL KNOB, BOOM (UP/DOWN) |
| 4 | 2 | 0300836 | CONTROL KNOB, JACK (UP/DOWN) |
| 5 | 1 | 0300837 | CONTROL KNOB, BOOM (IN/OUT) |
| 6 | 1 | 0301884 | CONTROL CABLE, 96" |
| 7 | 4 | 0302457 | CONTROL CABLE, 104" |
| 8 | 9 | 0302726 | GREASE FITTING, 1/4"-28 X 45° |
| 9 | 1 | 0302856 | CONTROL KNOB, TILT (UP/DOWN) |
| 10 | 1 | 0302917 | CONTROL KNOB, W/L EXTEND (IN/OUT) |
| 11 | 12 | 0303008 | ADJUSTABLE CLEVIS |
| 12 | 4 | 0303427 | CONTROL CABLE, 114" |
| 13 | 2 | 0400066 | SCREW, 1/4"-20 X 3/4" HEX HD CAP |
| 14 | 9 | 0400103 | SCREW, 5/16"-18 X 1-1/4" HEX HD CAP |
| 15 | 4 | 0400107 | SCREW, 5/16"-18 X 2-1/2" HEX HD CAP |
| 16 | 4 | 0400122 | SCREW, 3/8"-16 X 1-1/4" HEX HD CAP |
| 17 | 2 | 0400367 | NUT, 1/4"-20 HEX NYLOK |
| 18 | 4 | 0400379 | NUT, 5/16"-18 "J" TINNEMAN |
| 19 | 9 | 0400382 | NUT, 5/16"-18 HEX NYLOK |
| 20 | 36 | 0400383 | NUT, 5/16"-24 HEX |
| 21 | 10 | 0400392 | NUT, 3/8"-16 HEX NYLOK |
| 22 | 9 | 0400393 | NUT, 3/8"-16 HEX JAM |
| 23 | 4 | 0400451 | WASHER, 1/4" FLAT |
| 24 | 24 | 0400466 | WASHER, 5/16" INTERNAL TOOTH |
| 25 | 10 | 0400512 | WASHER, 3/4" FLAT (SPECIAL) |
| 26 | 9 | 0400532 | CLEVIS PIN, 5/16" X 1" |
| 27 | 9 | 0400541 | COTTER PIN, 1/16" X 3/4" |
| 28 | 2 | 0711235 | CLAMP, SHAFT CONTROL BOX |
| 29 | 1 | 0711245 | PLATE, SHAFT SUPPORT |
| 30 | 1 | 0711246 | PIN, CONTROL BOX |
| 31 | 1 | 0711284 | SUPPORT, CONTROL (LEFT) |
| 32 | 1 | 0711285 | SUPPORT, CONTROL (RIGHT) |
| 33 | 6 | 0801054 | CONTROL CABLE CONNECTOR |
| 34 | 1 | 0803182 | CONTROL FRAME WELDMENT |
| 35 | 9 | 0803294 | CONTROL HANDLE WELDMENT |

REMOTE CONTROL ASSEMBLY

| REF. NO. | NO. REQ | PART NUMBER | DESCRIPTION |
|----------|---------|-------------|-------------------------------------|
| -- | -- | -- | REMOTE CONTROL ASSEMBLY |
| 36 | 12 | 0300166 | WIRE CONNECTOR, SPADE |
| 37 | 1 | 0301574 | ELBOW, 4TB-4MP90 |
| 38 | 15 | 0301577 | AIR HOSE, 1/4" O.D. (FT.) |
| 39 | 2 | 0301610 | CONNECTOR, 4TB-4MP |
| 40 | 2 | 0301618 | BRASS PLUG, 4MP |
| 41 | 2 | 0302048 | CABLE SEALING GRIP |
| 42 | 2 | 0302340 | HEX PIPE BUSHING |
| 43 | 1 | 0302431 | CONVOLUTED LOOM, 3/8" X 8" |
| 44 | 35 | 0302434 | CABLE TIE, 4" 18 LB. |
| 45 | 1 | 0302677 | BREATHER VENT, 2MP |
| 46 | 12 | 0302678 | ELBOW, 4TB-2MP |
| 47 | 1 | 0302844 | AIR SOLENOID VALVE (8) |
| -- | 1 | 0303479 | AIR SOLENOID VALVE (14) |
| 48 | 1 | 0303226 | CIRCUIT BREAKER, HI-AMP WATERPROOF |
| 49 | 1 | 0303235 | TERMINAL BLOCK |
| 50 | 1 | 0303250 | POWER PAL, 15 POSITION |
| 51 | 1 | 0303251 | POWER PAL, 8 POSITION |
| 52 | 8 | 0303322 | ELECTRICAL CABLE, 16/10 SO (FT.) |
| 53 | 3 | 0303335 | AIR CYLINDER |
| 54 | 1 | 0303363 | AIR FILTER/REGULATOR |
| 55 | 1 | 0303364 | AIR LUBRICATOR |
| 56 | 1 | 0303365 | MOUNTING BRACKET |
| 57 | 2 | 0400025 | SCREW, # 8-32 X 3/4" RD HD SLOTTED |
| 58 | 3 | 0400057 | SCREW, 1/4"-20 X 1-1/4" HEX HD CAP |
| 59 | 2 | 0400078 | SCREW, 1/4"-20 X 2" HEX HD CAP |
| 60 | 2 | 0400351 | HEX NUT & STAR WASHER, # 8-32 |
| 61 | 5 | 0400367 | NUT, 1/4"-20 HEX NYLOK |
| 62 | 3 | 0400401 | NUT, 7/16"-20 HEX JAM |
| 63 | 2 | 0400451 | WASHER, 1/4" FLAT |
| 64 | 3 | 0400527 | CLEVIS PIN, 5/16" X 5/8" COTTERLESS |
| 65 | 1 | 0711277 | SUPPORT, SOLENOID VALVE (8) |
| -- | 1 | 0711836 | SUPPORT, SOLENOID VALVE (14) |
| 66 | 3 | 0803181 | CLEVIS WELDMENT |
| 67 | 1 | HA0132 | GAUGE, 0-160 PSI |

Section VI - PARTS (cont'd)

RIGHT CONTROL ASSEMBLY

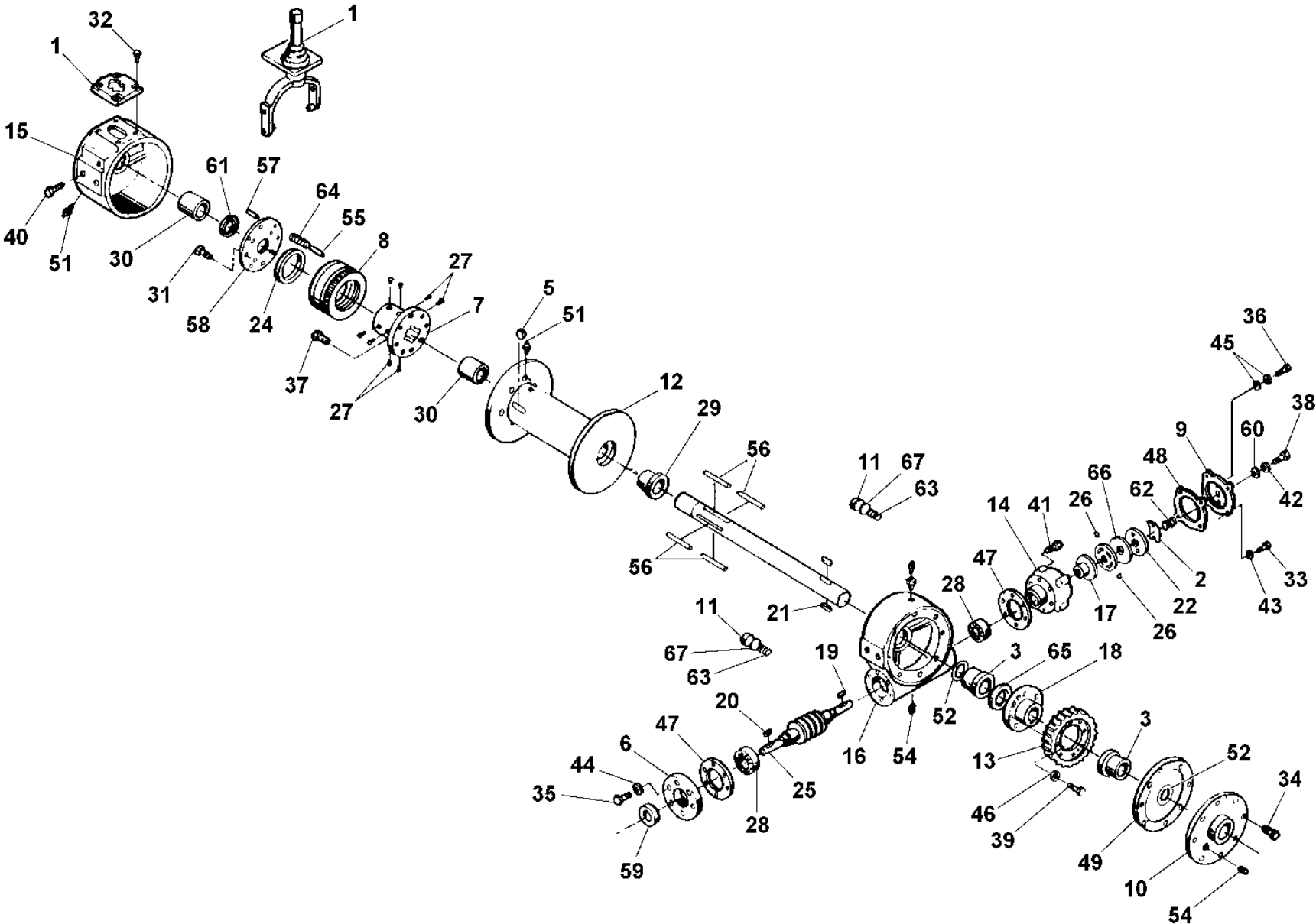


Section VI - PARTS (cont'd)

RIGHT CONTROL ASSEMBLY

| REF. NO. | NO. REQ | PART NUMBER | DESCRIPTION |
|----------|---------|-------------|-------------------------------------|
| 1 | 2 | 0300834 | CONTROL KNOB, (IN/OUT) |
| 2 | 1 | 0300835 | CONTROL KNOB, BOOM (UP/DOWN) |
| 3 | 2 | 0300836 | CONTROL KNOB, JACK (UP/DOWN) |
| 4 | 1 | 0300837 | CONTROL KNOB, BOOM (IN/OUT) |
| 5 | 3 | 0302457 | CONTROL CABLE, 104" |
| 6 | 6 | 0302726 | GREASE FITTING, 1/4"-28 X 45° |
| 7 | 6 | 0303008 | ADJUSTABLE CLEVIS |
| 8 | 3 | 0303427 | CONTROL CABLE, 114" |
| 9 | 6 | 0400103 | SCREW, 5/16"-18 X 1-1/4" HEX HD CAP |
| 10 | 4 | 0400107 | SCREW, 5/16"-18 X 2-1/2" HEX HD CAP |
| 11 | 4 | 0400122 | SCREW, 3/8"-16 X 1-1/4" HEX HD CAP |
| 12 | 4 | 0400379 | NUT, 5/16"-18 "J" TINNERMAN |
| 13 | 10 | 0400382 | NUT, 5/16"-18 HEX NYLOK |
| 14 | 18 | 0400383 | NUT, 5/16"-24 HEX |
| 15 | 4 | 0400392 | NUT, 3/8"-16 HEX NYLOK |
| 16 | 6 | 0400393 | NUT, 3/8"-16 HEX JAM |
| 17 | 18 | 0400466 | WASHER, 5/16" INTERNAL TOOTH |
| 18 | 4 | 0400480 | WASHER, 3/8" FLAT |
| 19 | 7 | 0400512 | WASHER, 3/4" FLAT (SPECIAL) |
| 20 | 6 | 0400532 | CLEVIS PIN, 5/16" X 1" |
| 21 | 6 | 0400541 | COTTER PIN, 1/16" X 3/4" |
| 22 | 2 | 0711235 | CLAMP, SHAFT CONTROL BOX |
| 23 | 1 | 0711247 | PIN, CONTROL BOX |
| 24 | 1 | 0711284 | SUPPORT, CONTROL (LEFT) |
| 25 | 1 | 0711285 | SUPPORT, CONTROL (RIGHT) |
| 26 | 1 | 0803183 | CONTROL FRAME WELDMENT |
| 27 | 6 | 0803294 | CONTROL HANDLE WELDMENT |

Section VI - PARTS (cont'd)
WINCH ASSEMBLY - H-800 DOW-LOK



Section VI - PARTS (cont'd)

WINCH ASSEMBLY - H-800 DOW-LOK

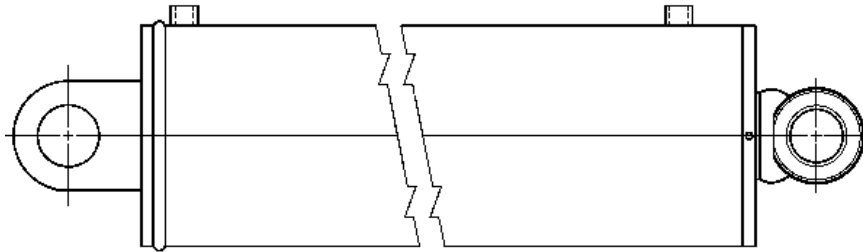
| REF NO. | NO. REQ | PART NUMBER | DESCRIPTION |
|---------|---------|-------------|-------------------------------------|
| 1 | 1 | 276033 | SHIFTER ASSEMBLY |
| 2 | 1 | 306035 | SPRING, FLAT |
| 3 | 2 | 308083 | BUSHING |
| 4 | 1 | 314007 | CAM PLATE |
| 5 | 1 | 314010 | CABLE ANCHOR |
| 6 | 1 | 316008 | CAP, BEARING |
| 7 | 1 | 324151 | CLUTCH |
| 8 | 1 | 324318 | LOCKING RING |
| 9 | 1 | 326027 | COVER, BRAKE |
| 10 | 1 | 328122 | COVER, GEAR HOUSING |
| 11 | 2 | 330010 | SHOE, DRAG BRAKE |
| 12 | 1 | 332120 | DRUM |
| 13 | 1 | 334066 | GEAR, R.H. |
| 14 | 1 | 338221 | HOUSING, BRAKE |
| 15 | 1 | 338235 | HOUSING, CLUTCH |
| 16 | 1 | 338242 | HOUSING, GEAR |
| 17 | 1 | 340011 | HUB, BRAKE |
| 18 | 1 | 340068 | HUB, GEAR |
| 19 | 1 | 342053 | KEY |
| 20 | 1 | 342092 | KEY |
| 21 | 2 | 342153 | KEY |
| 22 | 1 | 352021 | PLATE, RETAINER |
| 23 | 1 | 357433 | SHAFT, DRUM |
| 24 | 1 | 362224 | SPACER |
| 25 | 1 | 368082 | WORM, R.H. |
| 26 | 2 | 400007 | BALL, BRAKE |
| 27 | 8 | 400011 | BALL, CLUTCH |
| 27 | 2 | 402045 | BEARING, BALL |
| 29 | 1 | 412051 | BUSHING |
| 30 | 2 | 412052 | BUSHING |
| 31 | 1 | 413028 | COVER, SHIFTER |
| 32 | 4 | 414038 | CAPSCREW, 1/4"-20 X 3/4" LG HEX HD |
| 33 | 4 | 414069 | CAPSCREW, 5/16"-18 X 3/4" LG HEX HD |
| 34 | 4 | 414111 | CAPSCREW, 5/16"-18 X 1" LG HEX HD |

| REF NO. | NO. REQ | PART NUMBER | DESCRIPTION |
|---------|---------|-------------|--|
| 35 | 8 | 414277 | CAPSCREW, 3/8"-16'X 1" LG HEX HD NYLOK |
| 36 | 6 | 414282 | CAPSCREW, 3/8"-16 X 1-1/4" LG HEX HD |
| 37 | 2 | 414399 | CAPSCREW, 3/8"-24 X 1-1/4" LG HX HD ALL-THRD |
| 38 | 8 | 414571 | CAPSCREW, 1/2"-20 X 1-1/4" LG HEX HD |
| 39 | 1 | 414603 | CAPSCREW, 1/2"-20 X 1-3/4" LG HX HD ALL-THRD |
| 40 | 8 | 414606 | CAPSCREW, 1/2"-20 X 2" LG HEX HD |
| 41 | 6 | 414897 | CAPSCREW, 3/8"-16 X 1" LG SOC HD |
| 42 | 1 | 418067 | NUT, 1/2"-20 HEX JAM |
| 43 | 4 | 418163 | LOCKWASHER, 5/16" MED SECT |
| 44 | 6 | 418177 | LOCKWASHER, 3/8" MED SECT |
| 45 | 4 | 418184 | WASHER, FLAT 3/8" ALUM. |
| 46 | 8 | 418217 | LOCKWASHER, 1/2" MED SECT |
| 47 | 2 | 442192 | GASKET |
| 48 | 1 | 442194 | GASKET |
| 49 | 1 | 442195 | GASKET |
| 50 | 1 | 456008 | FITTING, RELIEF |
| 51 | 2 | 456031 | FITTING, LUBE |
| 52 | 2 | 462013 | QUAD, RING |
| 53 | 1 | 468002 | REDUCER |
| 54 | 2 | 468011 | PIPE PLUG |
| 55 | 4 | 470042 | PIN, ROLL |
| 56 | 4 | 470044 | PIN, DOWELL |
| 57 | 4 | 470058 | PIN, ROLL |
| 58 | 1 | 474030 | PLATE, RETAINER |
| 59 | 1 | 486068 | SEAL, OIL |
| 60 | 1 | 486076 | THREAD SEAL |
| 61 | 1 | 490025 | RING, RETAINER |
| 62 | 1 | 494010 | SPRING |
| 63 | 2 | 494022 | SPRING, DISC |
| 64 | 4 | 494069 | SPRING |
| 65 | 1 | 518016 | THRUST WASHER |
| 66 | 1 | 530007 | DISC, BRAKE |
| 67 | 2 | 530094 | SPACER, BRAKE |

Section VI - PARTS (cont'd)
REAR SPADE HYDRAULICS

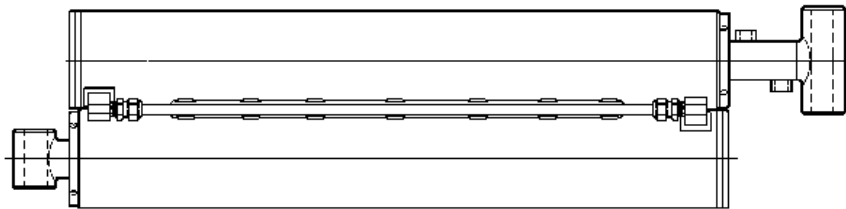
| REF. NO. | NO. REQ'D | PART NUMBER | DESCRIPTION |
|-------------|--------------|----------------|-------------------------------|
| 1 | REF. | 0300010 | CONTROL VALVE, VDP11DDD108 |
| 2 | 4 | 0300040 | CONNECTOR, 8MJ-8MP |
| 3 | 2 | 0301522 | CONNECTOR, 6MJ-6MB |
| 4 | 4 | 0301816 | FITTING, 8FP-8FP45 |
| 5 | 2 | 0302510 | ADAPTER, 6MJ-6MBL |
| 6 | 4 | 0302980 | NIPPLE, BLACK PIPE, 1/2" X 5" |
| 7 | 4 | 0303017 | CONNECTOR, 8MB-6FB |
| 8 | 4 | 0303588 | HOSE ASSEMBLY, 108" |
| 9 | 2 | 0303688 | SPADE CYLINDER |

Section VI - PARTS (cont'd)
HYDRAULIC CYLINDERS - UNDERLIFT



UNDERLIFT LIFT CYLINDER

| REF. NO. | NO. REQ'D. | PART NUMBER | DESCRIPTION |
|----------|------------|-------------|-----------------------------------|
| 1 | 1 | 0302352 | CYLINDER, LIFT (COMPLETE) |
| 2 | -- | -- | SEAL KIT, UNDERLIFT LIFT CYLINDER |

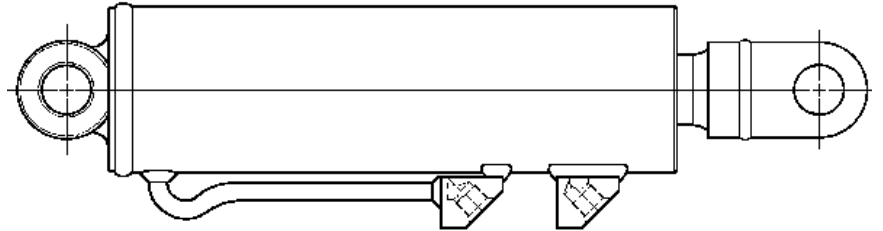


UNDERLIFT EXTEND CYLINDER

| REF. NO. | NO. REQ'D. | PART NUMBER | DESCRIPTION |
|----------|------------|-------------|-------------------------------------|
| 1 | 1 | 0301811 | CYLINDER, EXTEND (COMPLETE) |
| 2 | -- | -- | SEAL KIT, UNDERLIFT EXTEND CYLINDER |

Section VI - PARTS (cont'd)

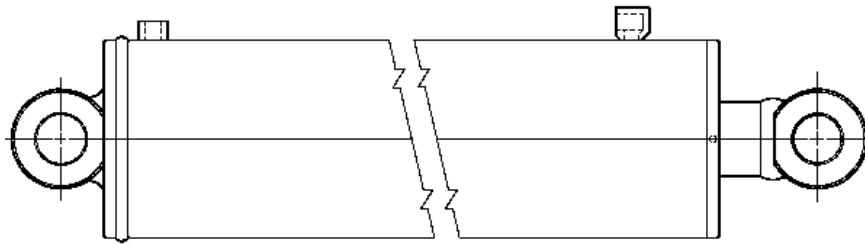
HYDRAULIC CYLINDERS - UNDERLIFT



UNDERLIFT FOLD CYLINDER

| REF. NO. | NO. REQ'D. | PART NUMBER | DESCRIPTION |
|----------|------------|-------------|-----------------------------------|
| 1 | 1 | 0303042 | CYLINDER, FOLD (COMPLETE) |
| 2 | -- | -- | SEAL KIT, UNDERLIFT FOLD CYLINDER |

Section VI - PARTS (cont'd)
HYDRAULIC CYLINDERS - WRECKER



BOOM LIFT CYLINDER

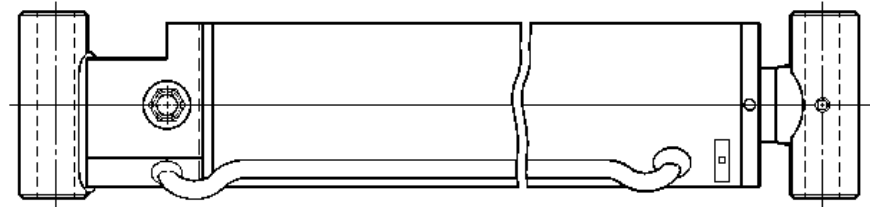
| REF. NO. | NO. REQ'D. | PART NUMBER | DESCRIPTION |
|----------|------------|-------------|--------------------------------|
| 1 | 2 | 0302222 | CYLINDER, BOOM LIFT (COMPLETE) |
| 2 | -- | -- | SEAL KIT, BOOM LIFT CYLINDER |

BOOM EXTEND CYLINDER

| REF. NO. | NO. REQ'D. | PART NUMBER | DESCRIPTION |
|----------|------------|-------------|----------------------------------|
| 1 | 1 | 0303356 | CYLINDER, BOOM EXTEND (COMPLETE) |
| 2 | -- | -- | SEAL KIT, BOOM EXTEND CYLINDER |

Section VI - PARTS (cont'd)

HYDRAULIC CYLINDER - REAR SPADE

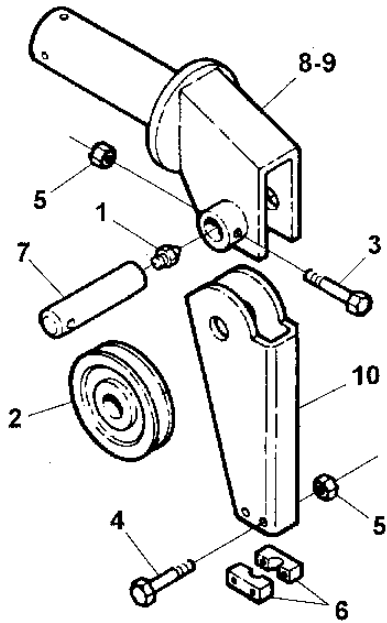


REAR SPADE CYLINDER

| REF. NO. | NO. REQ'D. | PART NUMBER | DESCRIPTION |
|----------|------------|-------------|---------------------------------|
| 1 | 2 | 0303688 | CYLINDER, REAR SPADE (COMPLETE) |
| 2 | -- | -- | SEAL KIT, REAR SPADE CYLINDER |

Section VI - PARTS (cont'd)

BOOM SWIVEL ASSEMBLY



| REF. NO. | NO. REQ'D | PART NUMBER | DESCRIPTION |
|----------|-----------|-------------|--|
| — | 1 | 0901673 | BOOM SWIVEL ASSEMBLY, LEFT (COMPLETE) |
| — | 1 | 0901674 | BOOM SWIVEL ASSEMBLY, RIGHT (COMPLETE) |
| 1 | 1 | 0300113 | GREASE FITTING |
| 2 | 1 | 0300311 | SHEAVE, 10" |
| 3 | 2 | 0400133 | SCREW, 3/8"-16 X 3" HEX HD CAP |
| 4 | 1 | 0400140 | NUT, 3/8"-16 NYLOK HEX |
| 5 | 3 | 0400392 | CABLE GUIDE, BOTTOM |
| 6 | 2 | 0700511 | SHAFT, SHEAVE |
| 7 | 1 | 0700563 | CABLE GUIDE WELDMENT |
| 8 | 1 | 0802027 | SWIVEL WELDMENT, LEFT |
| 9 | 1 | 0803577 | SWIVEL WELDMENT, RIGHT |
| 10 | 1 | 0803578 | |

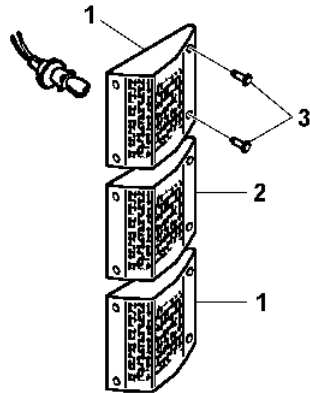
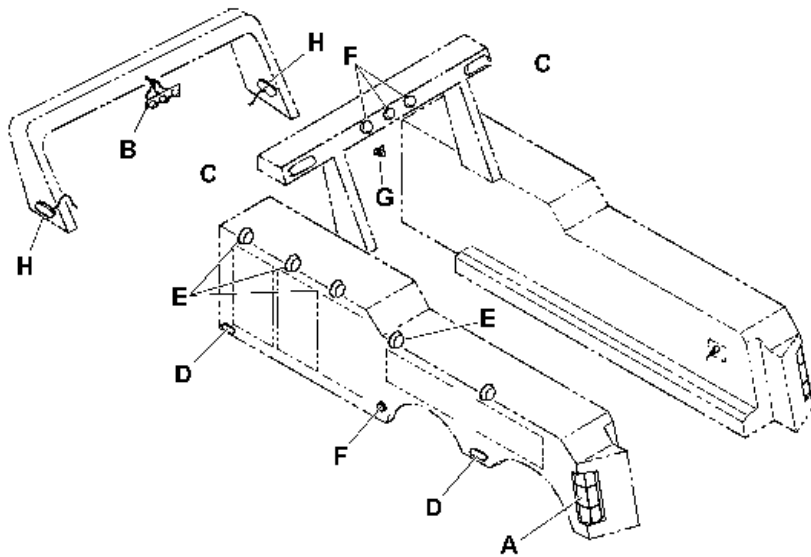
Section VI - PARTS (cont'd)

MODULAR WIRING KIT

| REF. NO. | NO. REQ'D | PART NUMBER | DESCRIPTION |
|-------------|--------------|----------------|---------------------------------------|
| -- | -- | 0902536 | MODULAR WIRING KIT |
| 10 | 15 | 0301503 | # 10 RING CONNECTOR |
| 11 | 2 | 0301800 | JUNCTION BOX, 6-POSITION |
| 12 | 1 | 0301812 | HEAT SHRINK TUBE, 1/4" |
| 13 | 1 | 0301888 | RECTIFIER HARNESS, AUX & BACKUP LIGHT |
| 14 | 15 | 0302433 | CABLE TIE, 7" |
| 15 | 1 | 0302853 | WIRING HARNESS, LEFT |
| 16 | 1 | 0302854 | WIRING HARNESS, RIGHT |
| 17 | 6 | 0302871 | MALE TERMINAL |
| 18 | 12 | 0302873 | CABLE SEAL |
| 19 | 1 | 0302874 | CONNECTOR, 6-WAY MALE |
| 20 | 1 | 0302875 | CONNECTOR, 6-WAY FEMALE |
| 21 | 1 | 0303226 | CIRCUIT BREAKER, HI AMP WATERPROOF |
| 22 | 6 | 0400367 | NUT, 1/4"-20 NYLOK HEX |
| -- | -- | 0903069 | BACK UP ALARM KIT |
| 23 | 2 FT. | 0300077 | WIRE, 16 GA., RED |
| 24 | 6 | 0300153 | CONNECTOR, WIRE |
| 25 | 1 | 0301812 | HEAT SHRINK TUBE, 1/4" |
| 26 | 1 | 0303061 | BACK UP ALARM |
| 27 | 2 | 0400057 | SCREW, 1/4"-20 X 1-1/4" HEX HD CAP |
| 28 | 2 | 0400367 | NUT, 1/4"-20 HEX NYLOK |

Section VI - PARTS (cont'd)

LIGHT KIT

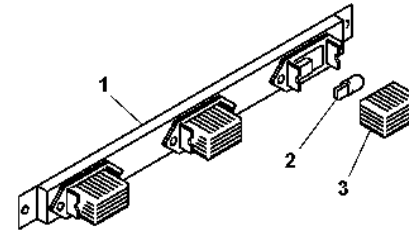


(A) STOP/TURN/BACKUP LIGHTS

| REF. NO. | NO. REQ'D | PART NUMBER | DESCRIPTION |
|----------|-----------|-------------|------------------------------------|
| 1 | 4 | 0302542 | LIGHT, STOP & TURN (COMPLETE) |
| 2 | 2 | 0302543 | LIGHT, BACKUP (COMPLETE) |
| 3 | 24 | 0400025 | SCREW, # 8-32 X 3/4" RD HD SLOTTED |

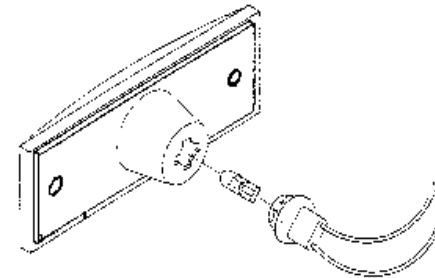
Section VI - PARTS (cont'd)

LIGHT KIT



(B) 3-LIGHT BAR

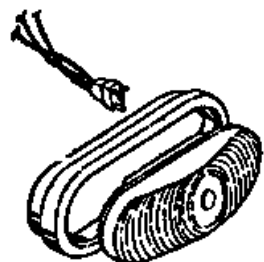
| REF. NO. | PART NUMBER | DESCRIPTION |
|----------|-------------|--------------------------------|
| 1 | 0300442 | 3-LIGHT BAR ASSEMBLY, COMPLETE |
| 2 | 0300507 | BULB, MARKER LIGHT |
| 3 | 0300511 | LENS, 3-LIGHT BAR |



(C) STOP & TURN LIGHT

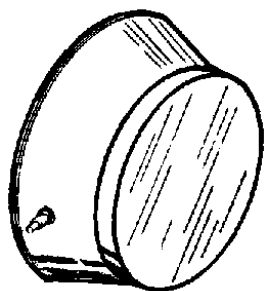
| REF. NO. | PART NUMBER | DESCRIPTION |
|----------|-------------|------------------------|
| 1 | 0301390 | LIGHT, TURN (COMPLETE) |
| 2 | 0304123 | BEZEL MOUNTING SCREW |
| 3 | 0304124 | CHROME BEZEL |
| 4 | 0304125 | LENS & BULB ASSEMBLY |
| 5 | 0304126 | GROMMET & PLUG KIT |

Section VI - PARTS (cont'd)
LIGHT KIT



(D) FLOOD LIGHT

| REF. NO. | PART NUMBER | DESCRIPTION |
|----------|-------------|-------------------------|
| 1 | 0302201 | LIGHT, FLOOD (COMPLETE) |

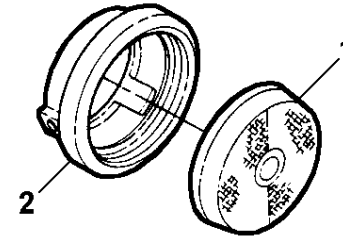


(E) DOME LIGHT

| REF. NO. | PART NUMBER | DESCRIPTION |
|----------|-------------|------------------------|
| 1 | 0302544 | LIGHT, DOME (COMPLETE) |

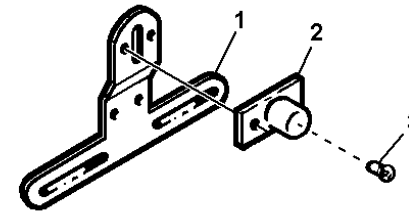
Section VI - PARTS (cont'd)

LIGHT KIT



(F) MARKER LIGHTS

| REF. NO. | PART NUMBER | DESCRIPTION |
|----------|--------------------|--|
| 1 | 0301740 | GROMMET & PLUG, MARKER LIGHT |
| 2 | 0301741 0301742 | SEALED MARKER LIGHT, RED SEALED MARKER LIGHT, AMBER |

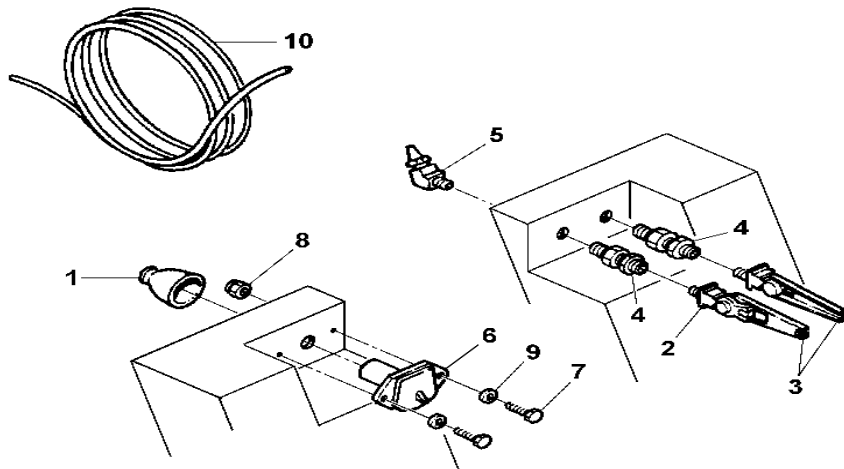


(G) LICENSE PLATE BRACKET & ILLUMINATOR

| REF. NO. | PART NUMBER | DESCRIPTION |
|----------|-------------|--------------------------------------|
| 1 | 0300076 | BRACKET, LICENSE PLATE |
| 2 | 0300273 | LICENSE PLATE ILLUMINATOR (COMPLETE) |
| 3 | 0300512 | BULB, LICENSE PLATE ILLUMINATOR |

Section VI - PARTS (cont'd)

GLAD HAND ASSEMBLY



| REF. NO. | NO. REQ'D | PART NUMBER | DESCRIPTION |
|----------|-----------|-------------|--|
| 1 | 1 | 0301862 | CATERPILLER GROMMET |
| 2 | 1 | 0301909 | RECEPTACLE BOOT |
| 3 | 2 | 0301944 | GLAD HAND COUPLING |
| 4 | 2 | 0301945 | GLAD HAND PLUG |
| 5 | 2 | 0301946 | CONNECTOR |
| 6 | 2 | 0301947 | ADAPTER, 1/4" NPTM X 3/8" SYN. HOSE |
| 7 | 1 | 0301948 | HD 7-WAY TRAILER CONNECTOR |
| 8 | 9 | 0400062 | SCREW, 1/4"-20 X 3/4" HEX HD SELF-TAP. |
| 9 | 2 | 0400070 | SCREW, 1/4"-20 X 1" HEX HEAD CAP |
| 10 | 2 | 0400367 | NUT, 1/4"-20 NYLOK HEX |
| 11 | 4 | 0400451 | FLATWASHER, 1/4" |
| 12 | 2 | 0400463 | FLATWASHER, 5/16" |
| 13 | 2 | 0703795 | HOSE, 3/8" X 4" SYNTHETIC |
| 14 | 1 | 0703797 | LID, GLAD HAND HOUSING |
| 15 | 1 | 0801099 | GLAD HAND HOUSING |

CENTURY®

A Division of Miller Industries Towing Equipment Inc.

8503 Hilltop Drive • Ooltewah, Tennessee 37363 • (615) 238-4171

Mailing Address: P.O. Box 120 • Ooltewah, Tennessee 37363 • Telex: 856967 CENWKRTN UD