

# CENTURY®

LEGENDARY LEADERSHIP

---

---



## OWNER'S MANUAL

# SERIES 10 GEN II ALUMINUM & STEEL CARRIERS

## INSTALLATION, OPERATION, MAINTENANCE & PARTS

**NOTE: MANUAL including SPECIFICATIONS, subject to change without notice  
All ratings specified are based on structural factors only,  
not vehicle capacities or capabilities.**

**CENTURY®**

Miller Industries PA Operations  
2755 Kirila Blvd.  
Hermitage, PA 16148

PN. 0540039  
REV. 11/2019  
PRICE \$25.00

## Section V - PARTS

This Section is provided by the manufacturer for the purpose of ordering any component part of the **Series 10 GEN II Carrier** that may be required when part replacement is necessary. Be certain to use only original equipment replacement parts for warranty purposes as well as for keeping your **Series 10 GEN II Carrier** in its original state and optimum operating capacities.

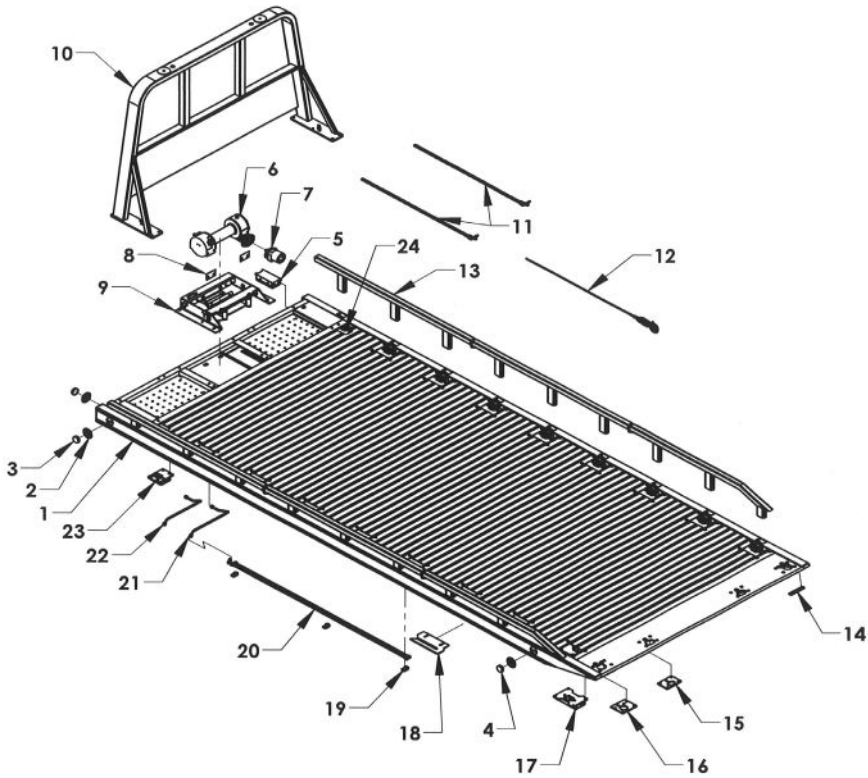
When ordering replacement or spare parts be sure to provide the following information to your carrier manufacturer authorized representative.

1. **Manual Number & Date of Publication**
2. **Manual Page Number**
3. **Page Title**
4. **Reference Number of Part Desired**
5. **Part Number**
6. **Part Description**
7. **Quantity of Part Desired**

Providing this information will help ensure that the correct parts will be delivered to you in an expedient manner without delay. Should additional information be required for repair or replacement of certain components, contact your **MILLER INDUSTRIES CENTURY DISTRIBUTOR**.

The Manufacturer reserves the right, without notice or obligation, to improve or modify their products, which may change the specifications, models and feature availability.

**Section V - PARTS**  
**ALUMINUM BED ASSEMBLY**  
**GEN 2 SERIES 10**

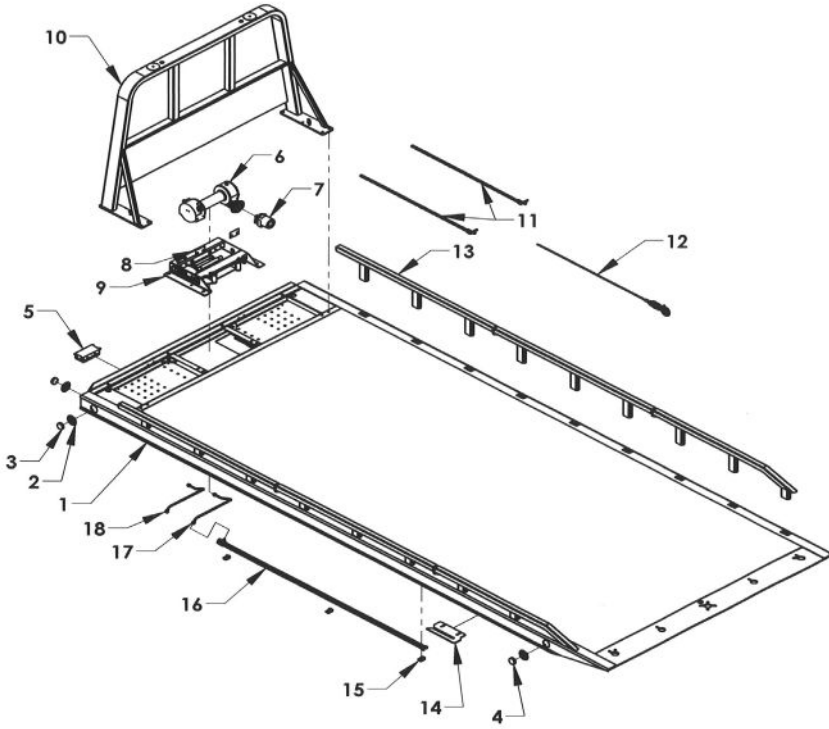


**Section V - PARTS**  
**ALUMINUM BED ASSEMBLY GEN II**  
**REMOVABLE RAIL**

REF. NO.	QTY	PART NUMBER	DESCRIPTION
1	1	301810C3CCT-XXX	SERIES 10 G2 AL BED WELDMENT XXX=190, 195, 205, 210, 215, 220
2	6	0311516	2-1/2" MARKER LIGHT GROMMET
3	4	0311513	2-1/2" AMBER MARKER LIGHT
4	2	0311512	2-1/2" RED MARKER LIGHT
5	1	0303385	10 POST JUNCTION BOX
6	1	0308698	RAMSEY 8000 LB WORM GEAR WINCH
7	1	0320147	RAMSEY WINCH MOTOR 5 CUBIC INCH
8	2	0701172	SPACER WINCH BRACKET
9	1	0811139	WINCH MOUNTING FRAME
		0801482	WINCH MOUNTNG FRAME
		0805037	RAMSEY ROLLER GUIDE ASSEMBLY
10	1	0809558-XX	CAB PROTECTOR XX= 38, 45, 48, 50, 52, 54, 57, 60, 62, 64
11	1	0302493	FRONT SAFETY CHAIN ASSEMBLY 5/16 x 8'
12	2	0301669	WINCH CABLE ASSEMBLY
13	1	09009171-XXX	REMOVABLE TUBE RAIL FRONT (SEE CHART)
14	2	07004889	APPROACH SKID PLATE
15	2	34521	ALUM APPROACH PLATE CHAINLOCK
16	2	07007442	ALUM APPROACH PLATE CHAINLOCK - 2 WAY
17	X	08001669	CHAINLOCK - SIDE CHAIN BINDER
18	1	33813	ANTI-TILT PLATE
19	3	0751188	FLUID TUBE MOUNTING BLOCK - LOWER
20	2	383S1-XXX	SERIES 10/12/16 UNDER BODY FLUID TUBE XXX=190, 195, 205, 210, 215, 220
21	1	0752168-R	WINCH MOTOR FLUID TUBE-S10 G2-RAMSEY-LONG
22	1	0752167-R	WINCH MOTOR FLUID TUBE-S10 G2-RAMSEY-SHORT
23	1	08004844L	CHAINLOCK-FRONT CHAIN BINDER-LH
24	1	08004844R	CHAINLOCK-FRONT CHAIN BINDER-RH

**Section V - PARTS**

**STEEL BED ASSEMBLY GEN II  
REMOVABLE TUBE RAIL**



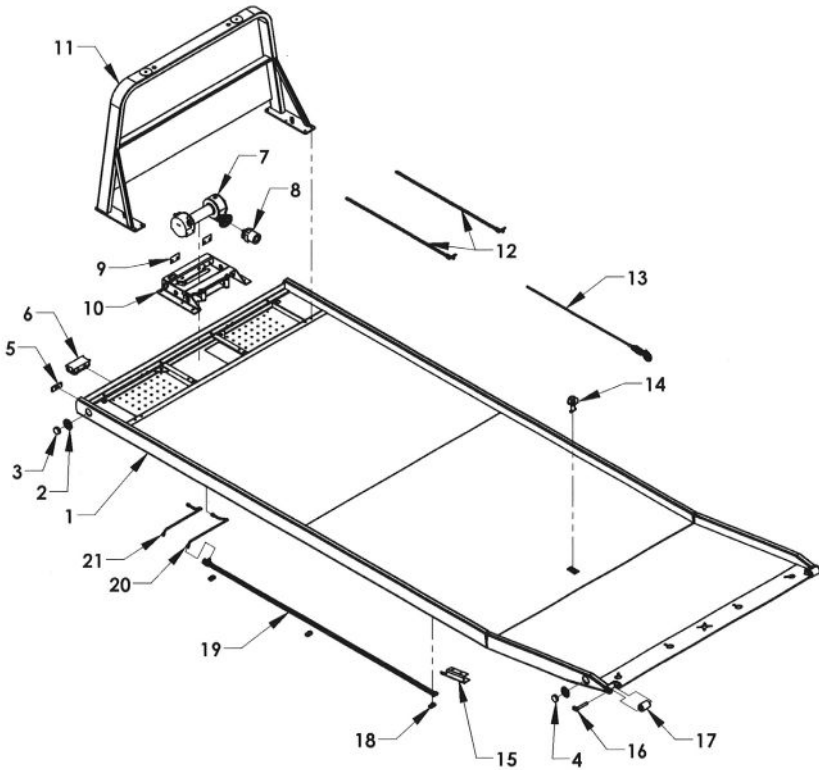
## Section V - PARTS

### STEEL BED ASSEMBLY GEN II REMOVABLE RAIL

REF. NO.	QTY	PART NUMBER	DESCRIPTION
1	1	30284102XXX	SERIES 10 G2 AL BED WELDMENT XXX=190, 195, 205, 210, 215, 220
2	6	0311516	2-1/2" MARKER LIGHT GROMMET
3	4	0311513	2-1/2" AMBER MARKER LIGHT
4	2	0311512	2-1/2" RED MARKER LIGHT
5	1	0303385	10 POST JUNCTION BOX
6	1	0308698	RAMSEY 8000 LB WORM GEAR WINCH
7	1	0320147	RAMSEY WINCH MOTOR 5 CUBIC INCH
8	2	0701172	SPACER WINCH BRACKET
9	1	0811139	WINCH MOUNTING FRAME
10	1	0809558-XX	CAB PROTECTOR XX= 38, 45, 48, 50, 52, 54, 57, 60, 62, 64
11	2	0301932	FRONT SAFETY CHAIN ASSEMBLY 5/16 x 8'
12	1	0301669	WINCH CABLE ASSEMBLY
13	1	09009171-XXX	REMOVABLE TUBE RAIL FRONT (SEE CHART)
14	1	33813	ANTI-TILT PLATE
15	3	0751188	FLUID TUBE MOUNTING BLOCK - LOWER
16	2	383S1-XXX	SERIES 10/12/16 UNDER BODY FLUID TUBE XXX=190, 195, 205, 210, 215, 220
17	1	0752168-R	WINCH MOTOR FLUID TUBE-S10 G2-RAMSEY-LONG
18	1	0752167-R	WINCH MOTOR FLUID TUBE-S10 G2-RAMSEY-SHORT

# Section V - PARTS

## STEEL BED ASSEMBLY GEN 2 SERIES 10 RIGHT APPROACH



## Section V - PARTS

### STEEL BED ASSEMBLY GEN 2 SERIES 10 RIGHT APPROACH

REF. NO.	QTY	PART NUMBER	DESCRIPTION
1	1	3028102RXXX	S10 G2 RA STEEL BED WELDMENT XXX = 190, 195, 205, 210, 215, 220
2	4	0311516	2-1/2" MARKER LIGHT GROMMET
3	2	0311513	2-1/2" AMBER MARKER LIGHT
4	2	0311512	2-1/2" RED MARKER LIGHT
5	2	0308360	RECT. REFLECTIVE LIGHT 4-3/8 x 1-1/2 AMBER
6	1	0303385	10 POST JUNCTION BOX
7	1	0308698	RAMSEY 8000 LB WORM GEAR
8	1	0306147	WINCH MOTOR 5 CUBIC INCH
9	2	0701172	SPACER, WINCH BRACKET
10	1	0811139	WINCH MOUNTING FRAME
		0801482	WINCH MOUNTING FRAME
		0805037	ROLLER GUIDE ASSEMBLY/USED WITH 0801482
11	1	0809558-XX	CAB PROTECTOR XX = 38, 45, 48, 50, 52, 54, 57, 60, 62, 64
12	2	0301932	FRONT SAFETY CHAIN ASSEMBLY - 5/16 x 10'
13	1	0301669	WINCH CABLE ASSEMBLY
14	1	0805324	CABLE GUIDE WELDMENT (HOOK STYLE)
15	1	0750465	ANTI-TILT PLATE RA
16	2	0806252	ROLLER TIP WHEEL KEEPER PIN
17	2	0721483	ROLLER
18	3	0751188	FLUID TUBE MOUNTING BLOCK-LOWER
19	2	383S1-XXX	SERIES 10/12/16 UNDER BODY FLUID TUBE XXX = 190, 195, 205, 210, 215, 220
20	1	0751975-R	WINCH MOTOR FLUID TUBE - RAMSEY - LONG
21	1	0751974-R	WINCH MOTOR FLUID TUBE - RAMSEY - SHORT

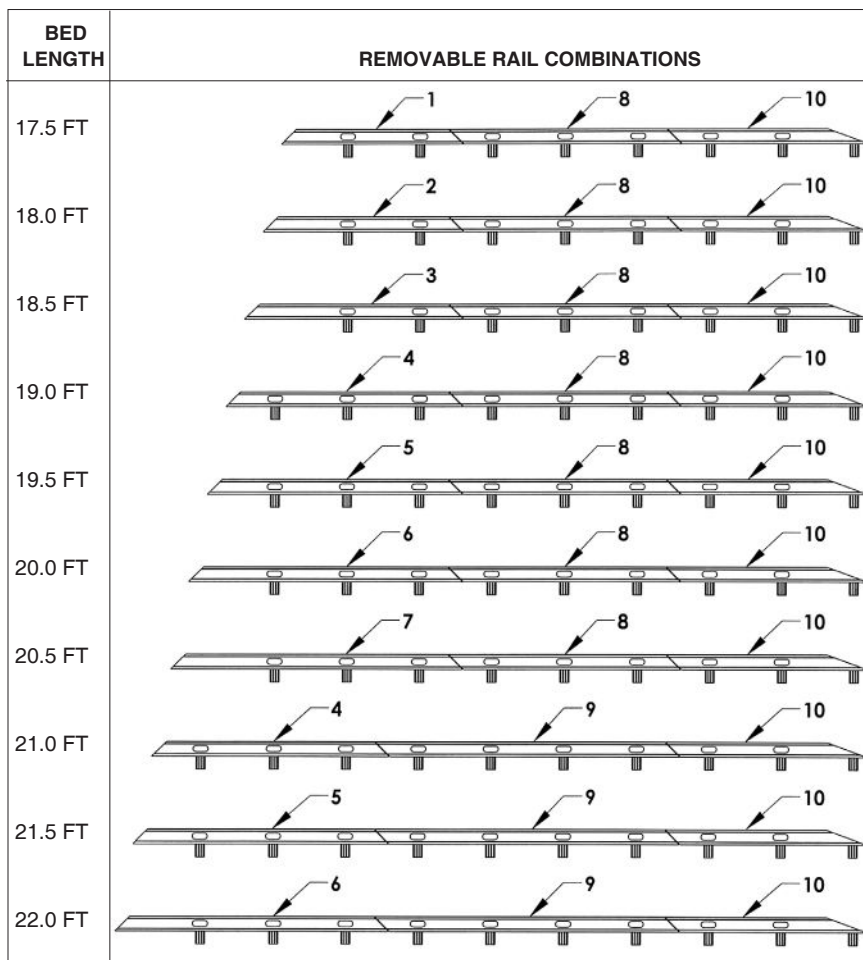


## Section V - PARTS REMOVABLE TUBE SIDE RAILS

ASSEMBLY #	BED LENGTH	REMOVABLE TUBE SIDE RAIL COMBINATIONS
09009171-190	19 TO 20.5 FT	
09009171-210	21 TO 22 FT	

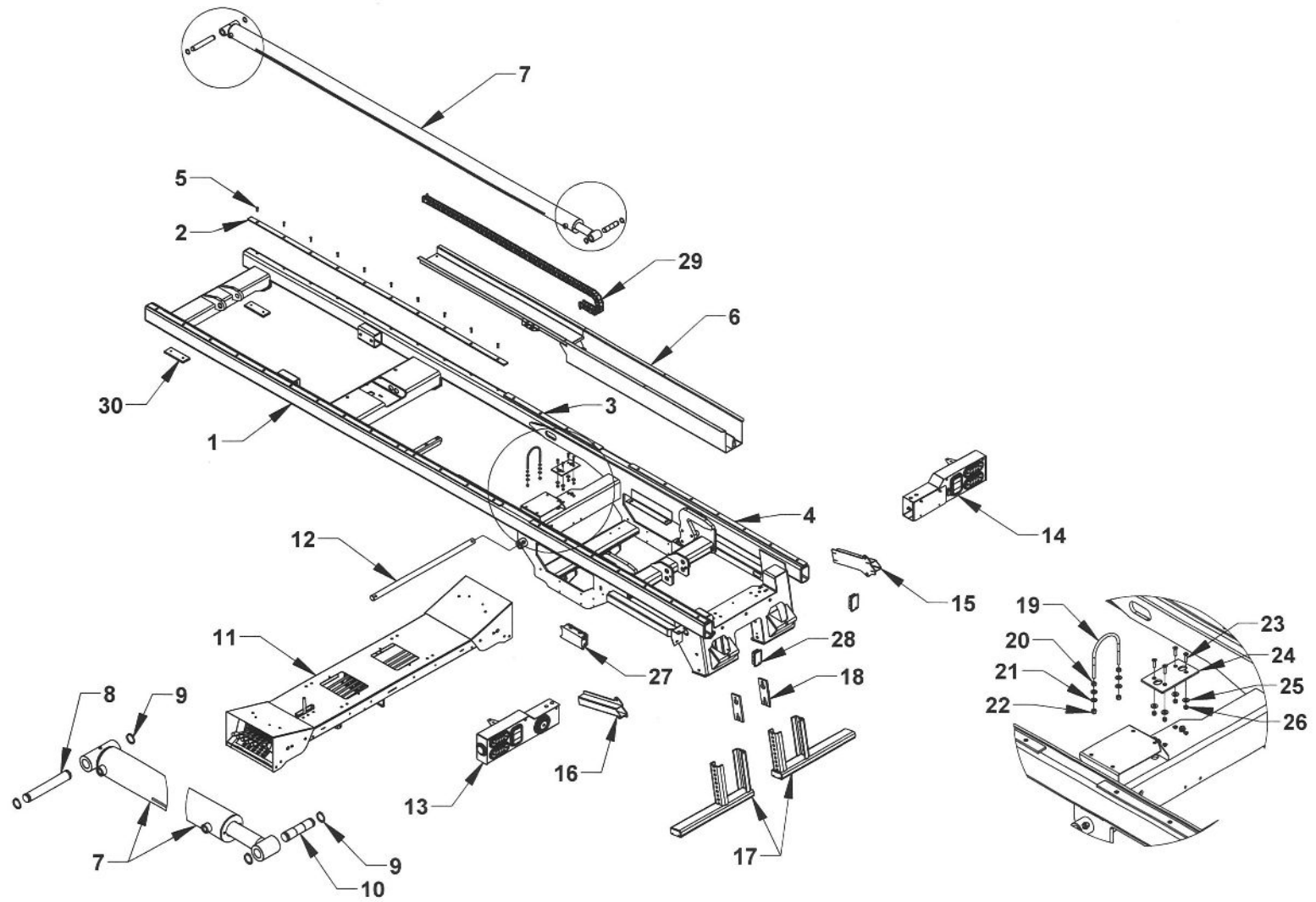
REF	PART #	DESCRIPTION	QPU
1	346071F	FRONT REMOVABLE TUBE RAIL - 3 POST	SEE CHART
2	346095F	FRONT REMOVABLE TUBE RAIL - 4 POST	SEE CHART
3	346071M	MIDDLE REMOVABLE TUBE RAIL - 3 POST	SEE CHART
4	346064	REAR REMOVABLE TUBE RAIL - 3 POST	SEE CHART
5	0306070	LYNCH PIN - 7/16 x 1-3/4 IN.	SEE CHART

## Section V - PARTS REMOVABLE BLADE SIDE RAILS



REF	PART #	DESCRIPTION	QPU
1	34B060FL	FRONT REMOVABLE BLADE RAIL - 2 POST	SEE CHART
2	34B066FL	FRONT REMOVABLE BLADE RAIL - 2 POST	SEE CHART
3	34B072FL	FRONT REMOVABLE BLADE RAIL - 2 POST	SEE CHART
4	34B078FL	FRONT REMOVABLE BLADE RAIL - 3 POST	SEE CHART
5	34B084FL	FRONT REMOVABLE BLADE RAIL - 3 POST	SEE CHART
6	34B090FL	FRONT REMOVABLE BLADE RAIL - 3 POST	SEE CHART
7	34B096FL	FRONT REMOVABLE BLADE RAIL - 3 POST	SEE CHART
8	34B072ML	MIDDLE REMOVABLE BLADE RAIL - 3 POST	SEE CHART
9	34B096ML	MIDDLE REMOVABLE BLADE RAIL - 4 POST	SEE CHART
10	34B064RL	REAR REMOVABLE BLADE RAIL - 3 POST	SEE CHART

**Section V - PARTS**  
**SERIES 10 GEN II 19 - 19.5 FT SUBFRAME COMPONENTS**  
**INBOARD TILT CYLINDER**

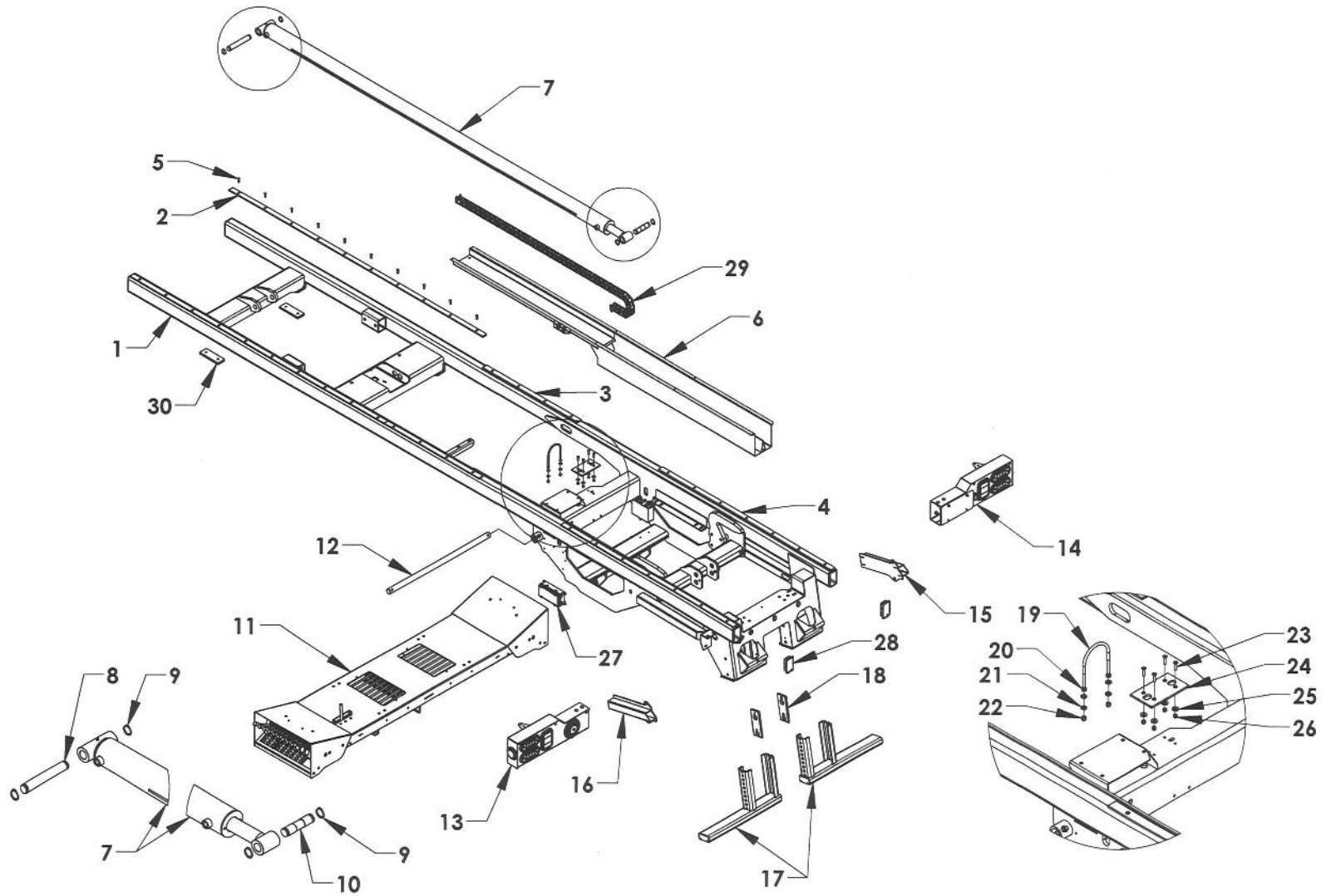


## Section V - PARTS

### SERIES 10 GEN II 19-19.5 FT SUBFRAME COMPONENTS - INBOARD TILT

REF NO.	QTY	PART NUMBER	DESCRIPTION
1	1	0809989-19	SERIES 10 G2 SUBFRAME WELDMENT - IB TILT
2	2	0308928-96	SUBFRAME BEARING PAD 5/16 x 1-1/2 x 96
3	2	0308928-36	SUBFRAME BEARING PAD 5/16 x 1-1/2 x 36
4	2	0308928N-66	SUBFRAME BEARING PAD 5/16 x 1-1/2 x 66
5	42	04000321	BOLT 5/16 -18 x 1-1/4 COUNTERSUNK TORX ST
6	1	0809824	DUAL BAY HOSE TRAY
7	1	72A35120	SLIDEBACK CYLINDER 3.5 BORE x 120 STROKE
8	1	13302010	SLIDEBACK CYLINDER MOUNTING PIN 1.230
9	4	86125E	1-1/4 SNAP RING - EXTERNAL
10	1	32117	SLIDEBACK CYLINDER MOUNTING PIN 1.230
11	1	183126	6-SPOOL CONTROL STATION
		183129	9-SPOOL CONTROL STATION
12	1	0752164	SERIES 10 GEN2 SUBFRAME HINGE PIN
13	1	0940325L	CENTURY TAIL LIGHT HOUSING GROUP - LEFT
14	1	0940325R	CENTURY TAIL LIGHT HOUSING GROUP - RIGHT
15	1	160540R	L-ARM STORAGE TUBE - 4K RIGHT (OPTIONAL) - SCOOP
		160535R	L-ARM STORAGE TUBE - 4K RIGHT (OPTIONAL) - DROP-IN
		0809287R	L-ARM STORAGE TUBE - 4K RIGHT (STD) SLIDE-IN ARM
16	1	160540L	L-ARM STORAGE TUBE - 4K LEFT (OPTIONAL) - SCOOP
		160535L	L-ARM STORAGE TUBE - 4K LEFT (OPTIONAL) - DROP-IN
		0809287L	L-ARM STORAGE TUBE - 4K LEFT (STD) SLIDE-IN ARM
17	2	0809188	SERIES 10 EXTENSION STAND
18	2	0750409	STABILIZER WHEEL LIFT GUIDE PAD
19	1	81286	U-BOLT 3/8-16 UNC
20	2	0400393	HEX NUT 3/8-16 UNC
21	4	0400480	FLAT WASHER 3/8
22	2	0400392	NYLON LOCK NUT 3/8-16 UNC
23	4	0403162	BOLT 5/16-18 UNC - ALLEN COUNTERSUNK
24	1	0751223	LCG 12/16/20 S/B CYLINDER SUPPORT PAD
25	4	0400465	FLAT WASHER 5/16
26	4	0400382	NYLON LOCK NUT 5/16-18 UNC
27	1	0303385	10 POST JUNCTION BOX
28	2	0308748	5 x 3 x 5/16 SUBFRAME TUBE PLUG
29	1	09006108	IGUS TRACK AND BOLT KIT
30	2	0752166	SERIES 10 GEN2 SUBFRAME LANDING PAD

**Section V - PARTS**  
**SERIES 10 GEN II 21 - 22 FT SUBFRAME COMPONENTS**  
**INBOARD TILT CYLINDER**

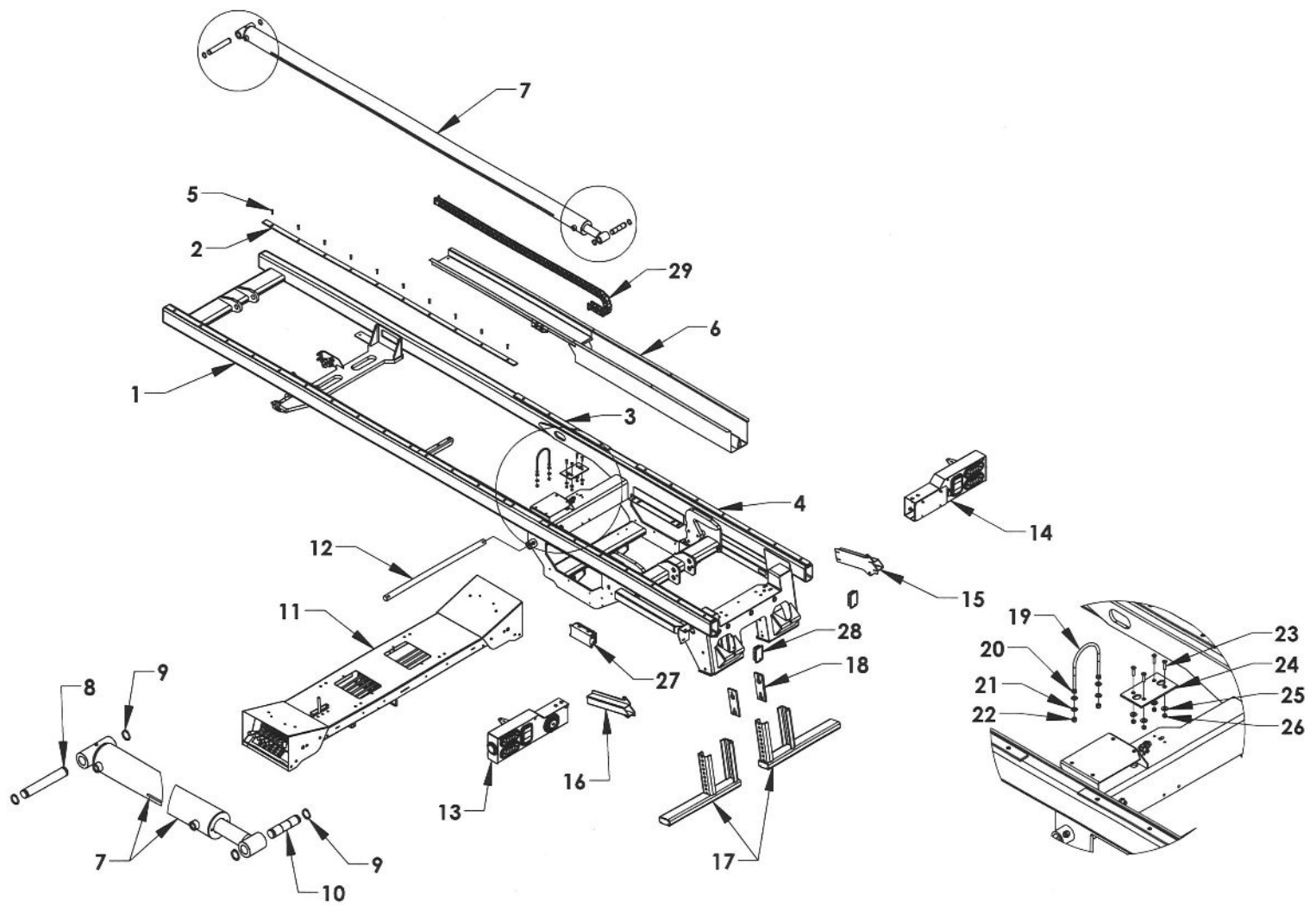


## Section V - PARTS

### SERIES 10 GEN II 21 - 22 FT SUBFRAME INBOARD COMPONENTS

REF NO.	QTY	PART NUMBER	DESCRIPTION
1	1	0809962	SERIES 10 G2 SUBFRAME WELDMENT - IB TILT
2	2	0308928-96	SUBFRAME BEARING PAD 5/16 x 1-1/2 x 96
3	2	0308928-36	SUBFRAME BEARING PAD 5/16 x 1-1/2 x 36
4	2	0308928N-66	SUBFRAME BEARING PAD 5/16 x 1-1/2 x 66
5	42	04000321	BOLT 5/16 -18 x 1-1/4 COUNTERSUNK TORX ST
6	1	0809824	DUAL BAY HOSE TRAY
7	1	72A35120	SLIDEBACK CYLINDER 3.5 BORE x 120 STROKE
8	1	13302010	SLIDEBACK CYLINDER MOUNTING PIN 1.230
9	4	86125E	1-1/4 SNAP RING - EXTERNAL
10	1	32117	SLIDEBACK CYLINDER MOUNTING PIN 1.230
11	1	183126	6-SPOOL CONTROL STATION
		183129	9-SPOOL CONTROL STATION
12	1	0752164	SERIES 10 GEN2 SUBFRAME HINGE PIN
13	1	0940325L	CENTURY TAIL LIGHT HOUSING GROUP - LEFT
14	1	0940325R	CENTURY TAIL LIGHT HOUSING GROUP - RIGHT
15	1	160540R	L-ARM STORAGE TUBE - 4K RIGHT (OPTIONAL) - SCOOP
		160535R	L-ARM STORAGE TUBE - 4K RIGHT (OPTIONAL) - DROP-IN
		0809287R	L-ARM STORAGE TUBE - 4K RIGHT (STD) SLIDE-IN ARM
16	1	160540L	L-ARM STORAGE TUBE - 4K LEFT (OPTIONAL) - SCOOP
		160535L	L-ARM STORAGE TUBE - 4K LEFT (OPTIONAL) - DROP-IN
		0809287L	L-ARM STORAGE TUBE - 4K LEFT (STD) SLIDE-IN ARM
17	2	0809188	SERIES 10 EXTENSION STAND
18	2	0750409	STABILIZER WHEEL LIFT GUIDE PAD
19	1	81286	U-BOLT 3/8-16 UNC
20	2	0400393	HEX NUT 3/8-16 UNC
21	4	0400480	FLAT WASHER 3/8
22	2	0400392	NYLON LOCK NUT 3/8-16 UNC
23	4	0403162	BOLT 5/16-18 UNC - ALLEN COUNTERSUNK
24	1	0751223	LCG 12/16/20 S/B CYLINDER SUPPORT PAD
25	4	0400465	FLAT WASHER 5/16
26	4	0400382	NYLON LOCK NUT 5/16-18 UNC
27	1	0303385	10 POST JUNCTION BOX
28	2	0308748	5 x 3 x 5/16 SUBFRAME TUBE PLUG
29	1	09006108	IGUS TRACK AND BOLT KIT
30	2	0752166	SERIES 10 GEN2 SUBFRAME LANDING PAD

**Section V - PARTS**  
**SERIES 10 GEN II 19-19.5 FT SUBFRAME COMPONENTS**  
**OUTBOARD TILT CYLINDER**



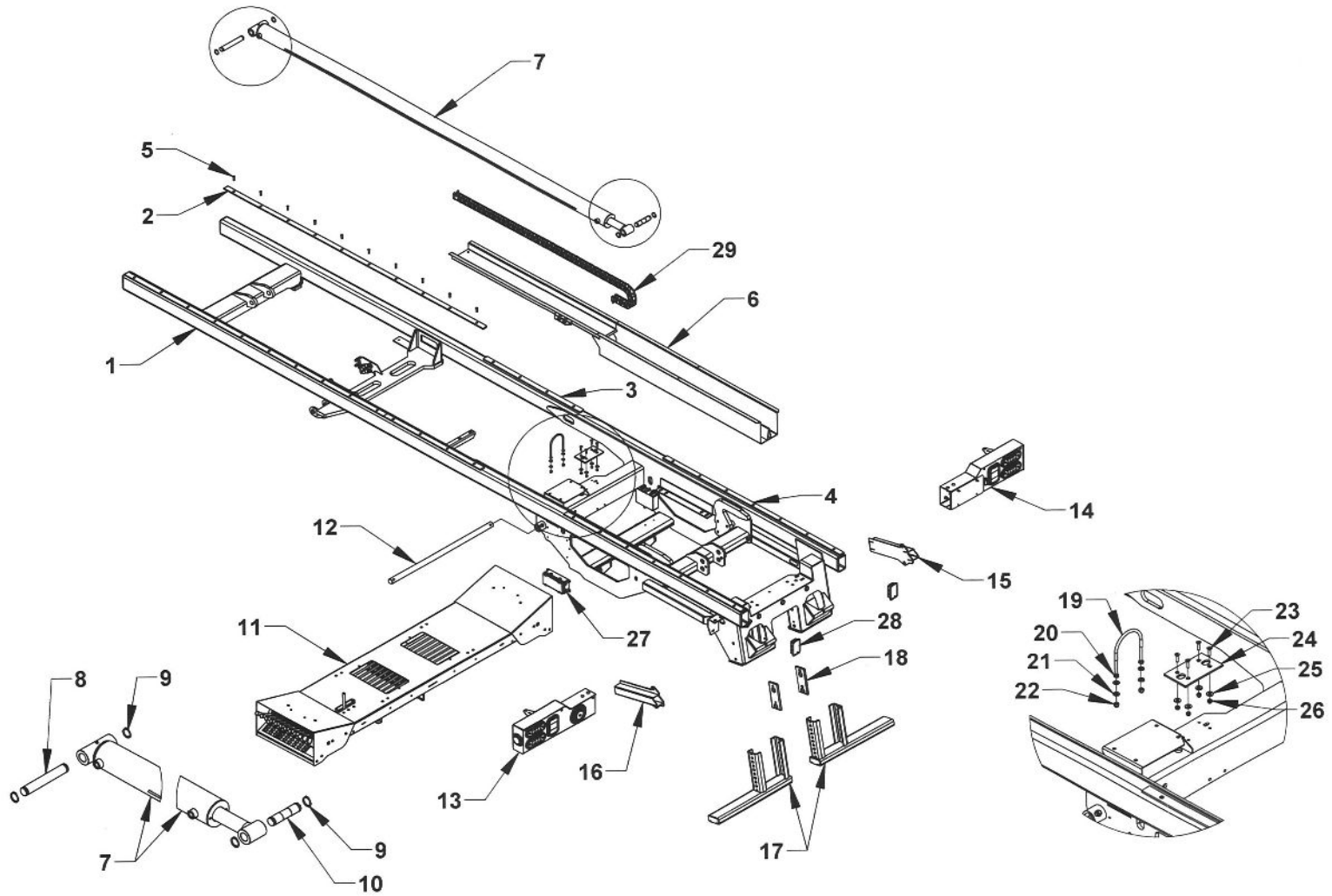
## Section V - PARTS

### SERIES 10 GEN II 19-19.5 FT SUBFRAME COMPONENTS - OUTBOARD TILT

REF NO.	QTY	PART NUMBER	DESCRIPTION
1	1	0809918	SERIES 10 G2 SUBFRAME WELDMENT - OB TILT
2	2	0308928-96	SUBFRAME BEARING PAD 5/16 x 1-1/2 x 96
3	2	0308928-36	SUBFRAME BEARING PAD 5/16 x 1-1/2 x 36
4	2	0308928N-66	SUBFRAME BEARING PAD 5/16 x 1-1/2 x 66
5	42	04000321	BOLT 5/16 -18 x 1-1/4 COUNTERSUNK TORX ST
6	1	0809824	DUAL BAY HOSE TRAY
7	1	72A35120	SLIDEBACK CYLINDER 3.5 BORE x 120 STROKE
8	1	13302010	SLIDEBACK CYLINDER MOUNTING PIN 1.230
9	4	86125E	1-1/4 SNAP RING - EXTERNAL
10	1	32117	SLIDEBACK CYLINDER MOUNTING PIN 1.230
11	1	183126	6-SPOOL CONTROL STATION
		183129	9-SPOOL CONTROL STATION
12	1	0752164	SERIES 10 GEN2 SUBFRAME HINGE PIN
13	1	0940325L	CENTURY TAIL LIGHT HOUSING GROUP - LEFT
14	1	0940325R	CENTURY TAIL LIGHT HOUSING GROUP - RIGHT
15	1	160540R	L-ARM STORAGE TUBE - 4K RIGHT (OPTIONAL) - SCOOP
		160535R	L-ARM STORAGE TUBE - 4K RIGHT (OPTIONAL) - DROP-IN
		0809287R	L-ARM STORAGE TUBE - 4K RIGHT (STD) SLIDE-IN ARM
16	1	160540L	L-ARM STORAGE TUBE - 4K LEFT (OPTIONAL) - SCOOP
		160535L	L-ARM STORAGE TUBE - 4K LEFT (OPTIONAL) - DROP-IN
		0809287L	L-ARM STORAGE TUBE - 4K LEFT (STD) SLIDE-IN ARM
17	2	0809188	SERIES 10 EXTENSION STAND
18	2	0750409	STABILIZER WHEEL LIFT GUIDE PAD
19	1	81286	U-BOLT 3/8-16 UNC
20	2	0400393	HEX NUT 3/8-16 UNC
21	4	0400480	FLAT WASHER 3/8
22	2	0400392	NYLON LOCK NUT 3/8-16 UNC
23	4	0403162	BOLT 5/16-18 UNC - ALLEN COUNTERSUNK
24	1	0751223	LCG 12/16/20 S/B CYLINDER SUPPORT PAD
25	4	0400465	FLAT WASHER 5/16
26	4	0400382	NYLON LOCK NUT 5/16-18 UNC
27	1	0303385	10 POST JUNCTION BOX
28	2	0308748	5 x 3 x 5/16 SUBFRAME TUBE PLUG
29	1	09006108	IGUS TRACK AND BOLT KIT



**Section V - PARTS**  
**SERIES 10 GEN II 21-22 FT SUBFRAME COMPONENTS**  
**OUTBOARD TILT CYLINDER**

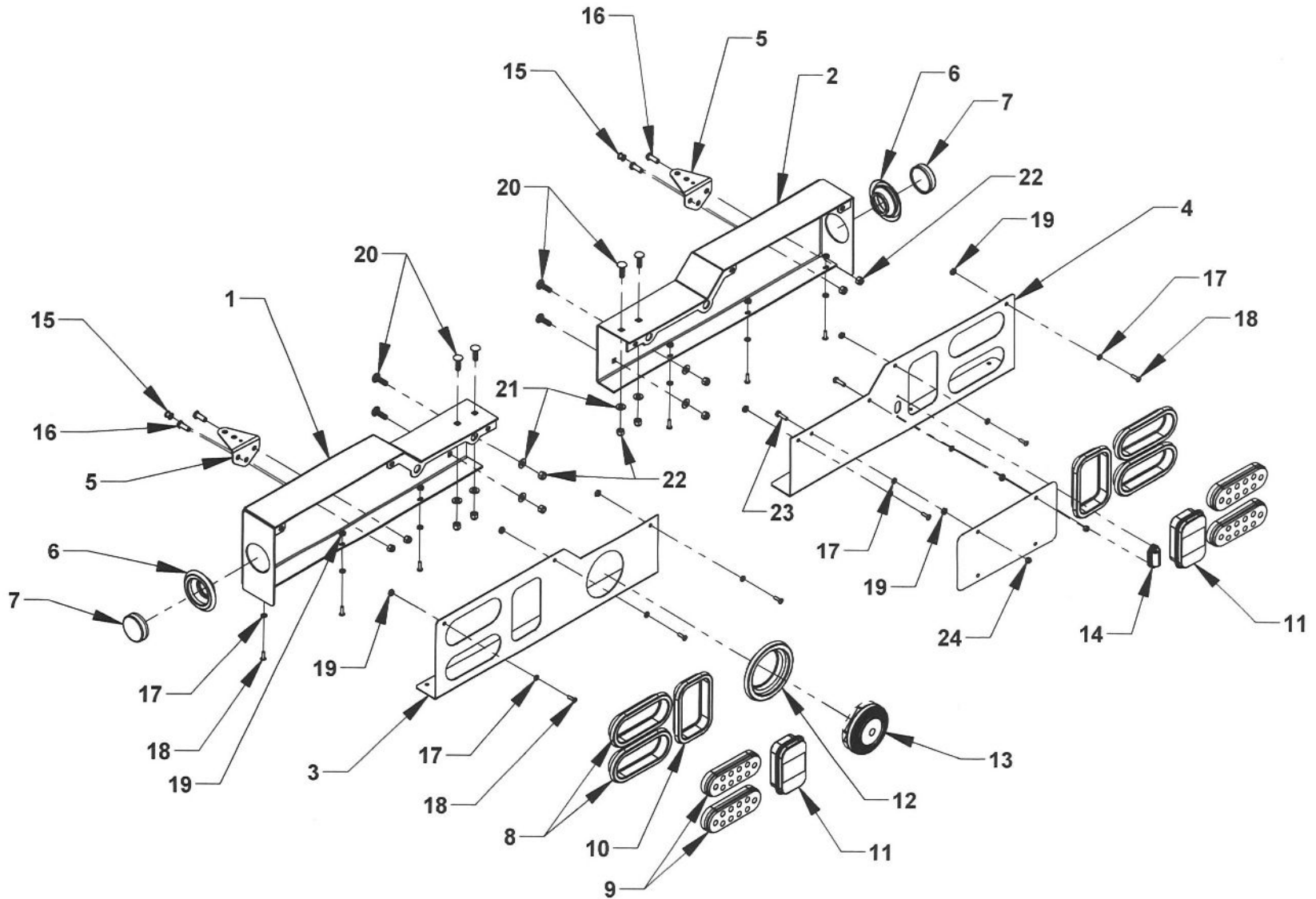


## Section V - PARTS

### SERIES 10 GEN II 21-22 FT SUBFRAME COMPONENTS - OUTBOARD TILT

REF NO.	QTY	PART NUMBER	DESCRIPTION
1	1	0811199	SERIES 10 G2 SUBFRAME WELDMENT - OB TILT
2	2	0308928-96	SUBFRAME BEARING PAD 5/16 x 1-1/2 x 96
3	2	0308928-36	SUBFRAME BEARING PAD 5/16 x 1-1/2 x 36
4	2	0308928N-66	SUBFRAME BEARING PAD 5/16 x 1-1/2 x 66
5	42	04000321	BOLT 5/16 -18 x 1-1/4 COUNTERSUNK TORX ST
6	1	0809824	DUAL BAY HOSE TRAY
7	1	72A35120	SLIDEBACK CYLINDER 3.5 BORE x 120 STROKE
8	1	13302010	SLIDEBACK CYLINDER MOUNTING PIN 1.230
9	4	86125E	1-1/4 SNAP RING - EXTERNAL
10	1	32117	SLIDEBACK CYLINDER MOUNTING PIN 1.230
11	1	183126	6-SPOOL CONTROL STATION
		183129	9-SPOOL CONTROL STATION
12	1	0752164	SERIES 10 GEN2 SUBFRAME HINGE PIN
13	1	0940325L	CENTURY TAIL LIGHT HOUSING GROUP - LEFT
14	1	0940325R	CENTURY TAIL LIGHT HOUSING GROUP - RIGHT
15	1	160540R	L-ARM STORAGE TUBE - 4K RIGHT (OPTIONAL) - SCOOP
		160535R	L-ARM STORAGE TUBE - 4K RIGHT (OPTIONAL) - DROP-IN
		0809287R	L-ARM STORAGE TUBE - 4K RIGHT (STD) SLIDE-IN ARM
16	1	160540L	L-ARM STORAGE TUBE - 4K LEFT (OPTIONAL) - SCOOP
		160535L	L-ARM STORAGE TUBE - 4K LEFT (OPTIONAL) - DROP-IN
		0809287L	L-ARM STORAGE TUBE - 4K LEFT (STD) SLIDE-IN ARM
17	2	0809188	SERIES 10 EXTENSION STAND
18	2	0750409	STABILIZER WHEEL LIFT GUIDE PAD
19	1	81286	U-BOLT 3/8-16 UNC
20	2	0400393	HEX NUT 3/8-16 UNC
21	4	0400480	FLAT WASHER 3/8
22	2	0400392	NYLON LOCK NUT 3/8-16 UNC
23	4	0403162	BOLT 5/16-18 UNC - ALLEN COUNTERSUNK
24	1	0751223	LCG 12/16/20 S/B CYLINDER SUPPORT PAD
25	4	0400465	FLAT WASHER 5/16
26	4	0400382	NYLON LOCK NUT 5/16-18 UNC
27	1	0303385	10 POST JUNCTION BOX
28	2	0308748	5 x 3 x 5/16 SUBFRAME TUBE PLUG
29	1	09006108	IGUS TRACK AND BOLT KIT

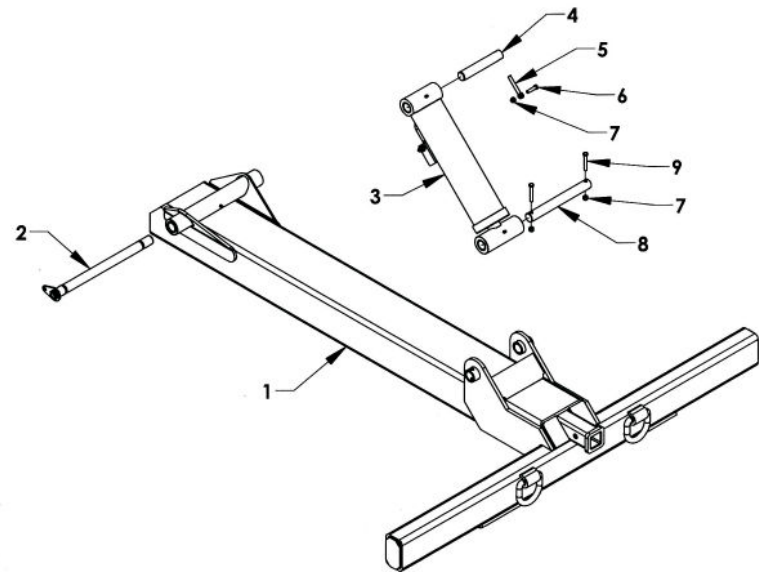
Section V - PARTS  
TAIL LIGHT COMPONENTS



**Section V - PARTS**  
**SERIES 10 GEN II TAIL LIGHT COMPONENTS**

REF. NO.	NO. REQ'D	PART NUMBER	DESCRIPTION
1	1	0809517L	TAIL LIGHT HOUSING WELDMENT - LEFT
2	1	0809517R	TAIL LIGHT HOUSING WELDMENT - RIGHT
3	1	0751892L	12/16/20 LCG TAIL LIGHT BEZEL - LEFT G2
4	1	0751892R	12/16/20 LCG TAIL LIGHT BEZEL - RIGHT G2
5	2	0750672	WORK LIGHT MOUNTING BRACKET
6	2	0311516	2-1/2 IN. MARKER LIGHT GROMMET
7	2	0311512	2-1/2 IN. RED MARKER LIGHT
8	4	0311503	6 IN. OVAL GROMMET
9	4	0311498	6 IN. OVAL RED LIGHT
10	2	0311511	CARRIER TAIL LIGHT GROMMET
11	2	0311510	CARRIER BACK UP LIGHT
12	1	0311528	BACK UP ALARM GROMMET
13	1	0306385	BACK UP ALARM
14	1	0311525	LICENSE PLATE LIGHT
15	2	0306050	TAIL LIGHT WIRE GROMMET
16	4	0400126	BOLT, HHCS 3/8-16 UNC x 1
17	14	0400452	LOCK WASHER - 1/4
18	12	0400071	BOLT, RHMS 1/4-20 UNC x 3/4
19	14	0400366	HEX NUT 1/4-20 UNC
20	8	0400156	BOLT, CARRIAGE 3/8-16 UNC x 1-1/4 SS
21	8	0400480	FLAT WASHER - 3/8
22	12	0400392	NYLON LOCK NUT 3/8-16 UNC
23	2	0403043	BOLT, HHCS 1/4-20 UNC x 1
24	2	0400367	NYLON LOCK NUT 1/4-20 UNC

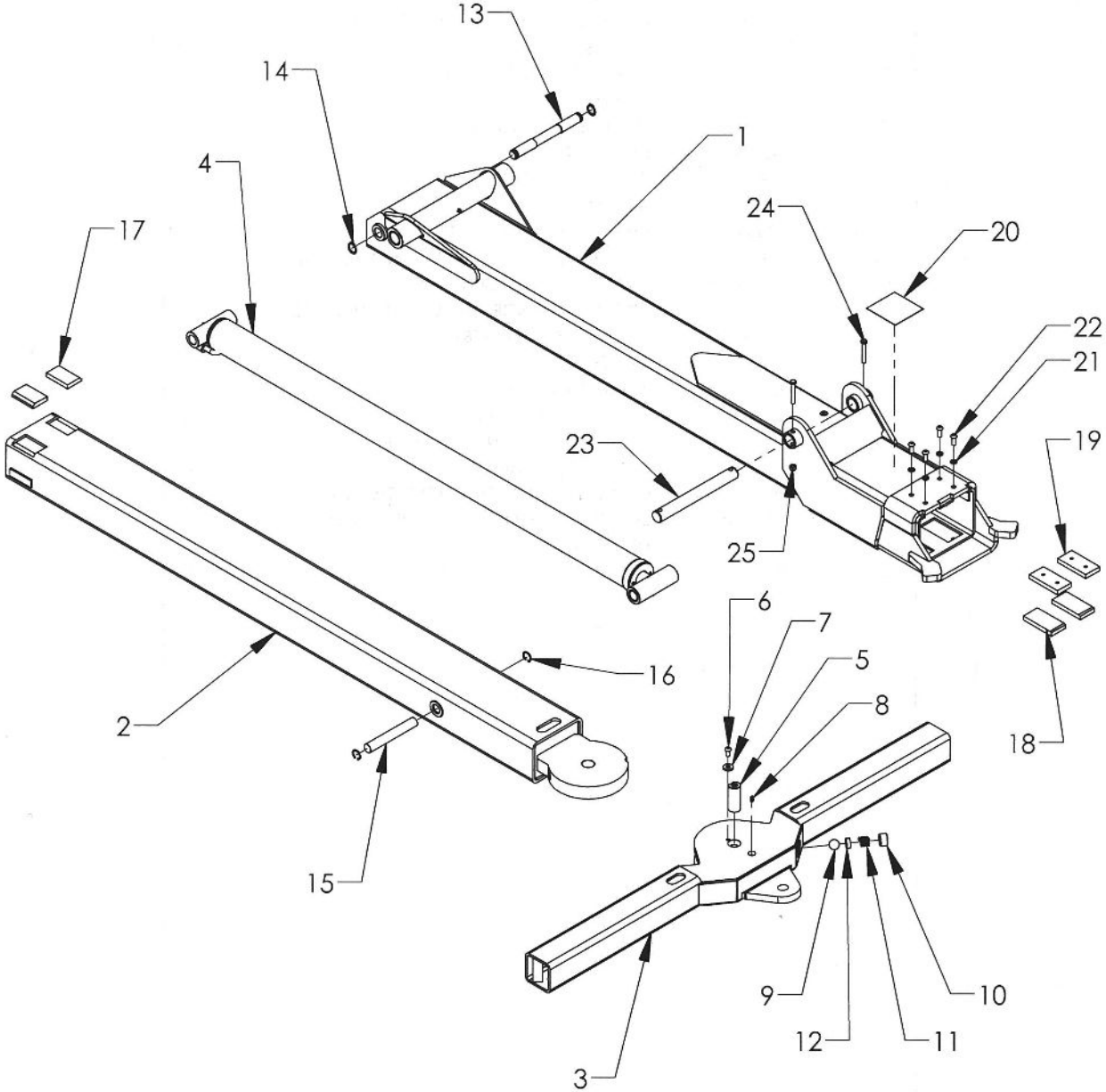
**Section V- PARTS**  
**DOCK STABILIZER**



REF NO.	NO REQ'D	PART NUMBER	DESCRIPTION
1	1	0810010-10	DOCK STABILIZER WELDMENT
2	1	0809411U	WHEEL LIFT BOOM HINGE PIN
3	1	0308372-1175	DOCK STABILIZER CYL. 4 x 11.75
4	1	0750562	EURO SCL LIFT CYL MTG PIN-BASE
5	1	84680	KEEPER PIN 3/8 ROD END
6	1	0400132	BOLT HHCS, 3/8-16 UNC x 1-1/2
7	2	0400392	NYLON LOCK NUT 3/8-16 ZP
8	1	0750523	WHEEL LIFT REAR MTG PIN
9	2	0400150	BOLT HHCS 3/8-16 UNC x 2-1/2

Section V - PARTS

3,000 LB.WHEEL LIFT  
GEN 2 SERIES 10

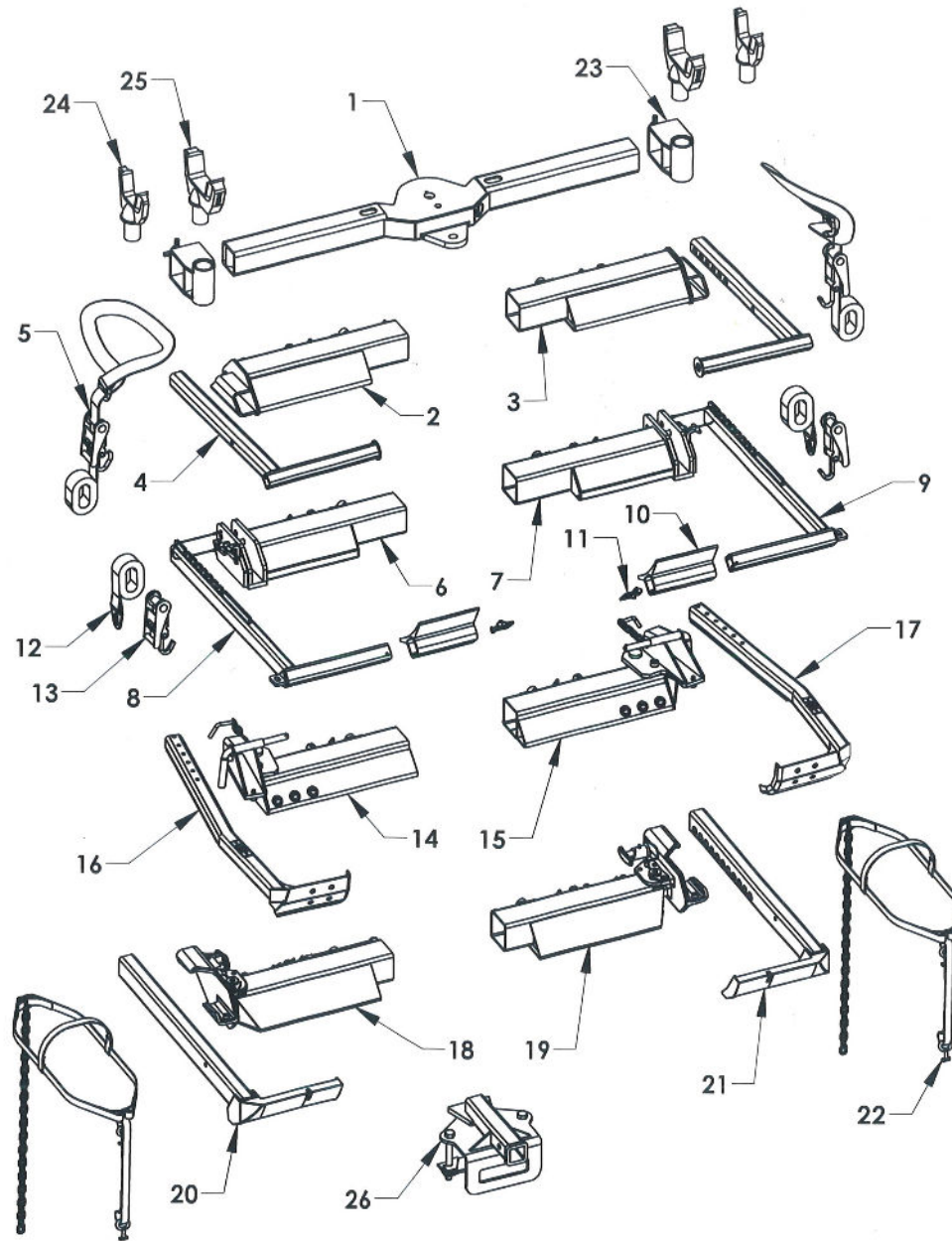


## Section V - PARTS

### 3,000 LB. WHEEL LIFT - GEN 2 - 0940450

REF. NO.	NO. REQ'D	PART NUMBER	DESCRIPTION
1	1	10240408	UNDERLIFT OUTER BOOM TUBE - 4K
2	1	0811159	UNDERLIFT INNER BOOM TUBE - 4K
3	1	08011160	CROSSBAR 4K
4	1	72A30054	UNDERLIFT EXTEND CYLINDER 3 x 54
5	1	0940433	CROSSBAR PIOT PIN
6	1	0403004	CAP SCREW BUTTON HD 3/8-16 x 54
7	1	0720463	WASHER
8	1	0300113	GREASE FITTING 1/4-28
9	1	0308129	DETENT BALL
10	1	0308130	DETEND PLUG
11	1	0308131	DETENT SPRING
12	1	07003396	SPACER CROSSBAR DETENT
13	1	729352	EXTEND CYLINDER MOUNTING PIN-BASE
14	2	86100E	SNAP-RING 1.00 EXTERNAL HD
15	1	72940	EXTEND CYLINDER MOUNTING PIN-ROD
16	2	86100I	SNAP-RING 1.00 INTERNAL
17	2	65613	WEAR PAD 1/2 x 2 x 3
18	2	63595	WEAR PAD 1/2 x 2 x 4
19	2	63595H	SPACER PAD 1/2 x 2 x 4
20	1	0540042	UNDERLIFT RATING PLATE 3K
21	4	0400482	3/8 LOCK WASHER
22	4	0403139	CAP SCREW BUTTON HEAD 3/8-16 x 1
23	1	0750523	LIFT CYLINDER MTG PIN 1.25 x 11.062
24	2	0400150	HHCS 3/8-16 x 2-1/2
25	2	0400392	NYLON LOCK NUT 3/8-16

**Section V - PARTS**  
**WHEEL-LIFT CROSSBAR ATTACHMENTS**



## Section V - PARTS

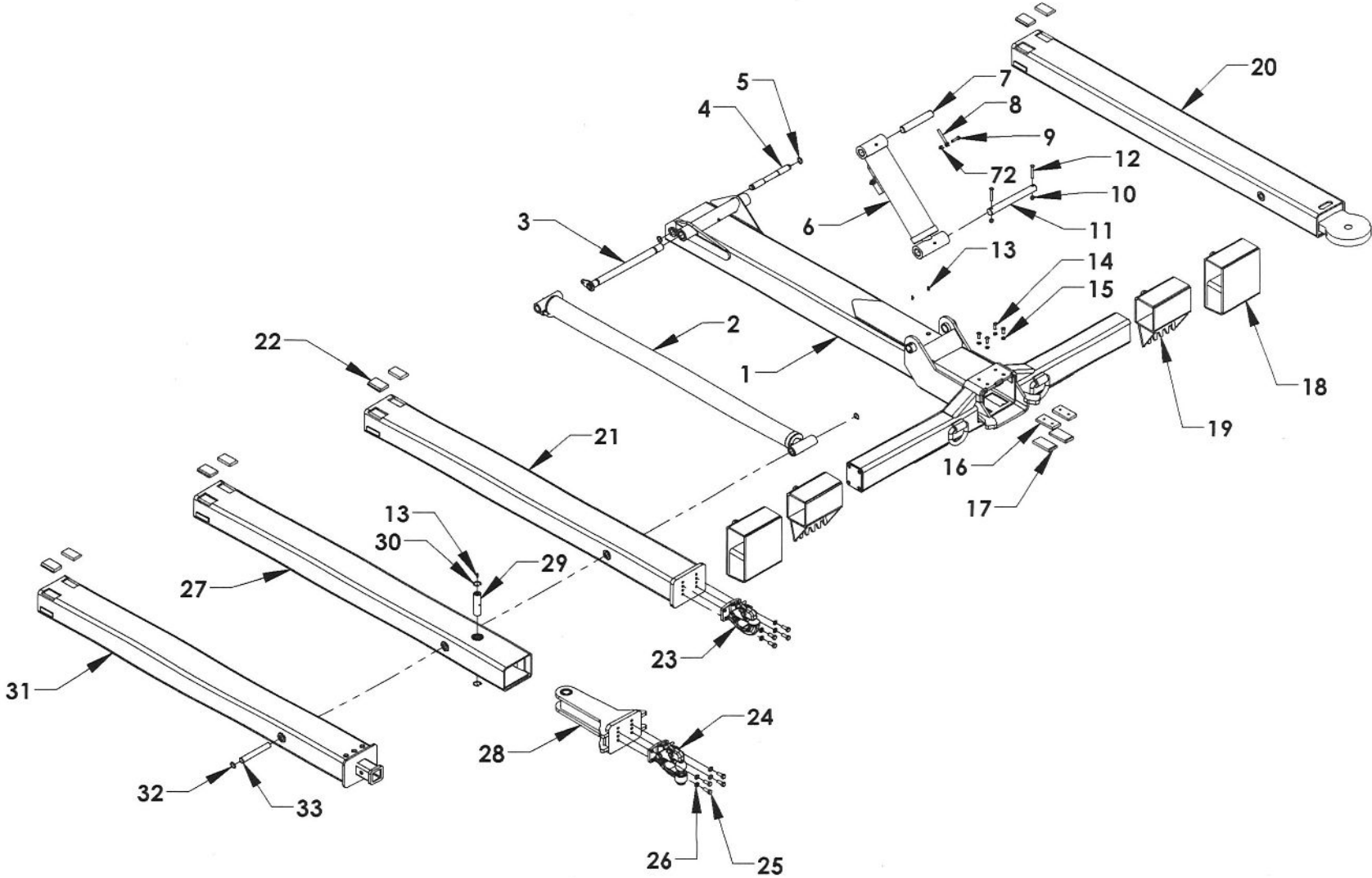
### WHEEL LIFT CROSSBAR ATTACHMENTS

REF NO.	NO REQ'D	PART NUMBER	DESCRIPTION
1	1	0811160	CROSSBAR 4K (3.5 x 3.5)
2	1	0809283L	4-INCH WHEEL GRID - LH
3	1	0809284R	4-INCH WHEEL GRID - RH
4	2	08006748	STEEL L-ARM 4000 LB
5	2	0308664	STRAP AND RATCHET PIVOT ASSEMBLY
6	1	0940434L	WHEEL GRID (DROP-IN L-ARM) - LEFT
7	1	0940434R	WHEEL GRID (DROP-IN L-ARM) - RIGHT
8	1	65250L	4000 LB L-ARM - LEFT
9	1	65250R	4000 LB L-ARM - RIGHT
10	2	65246	REMOVABLE PAN (CHEVRON)
11	2	84911	SAFETY PIN, 5/16 (CHERON)
12	2	65285	WHEEL STRAP WITH D-RING
13	2	65280A	RATCHET AND HOOK
14	1	8800800	LH WHEEL GRID
15	1	8800900	RH WHEEL GRID
16	1	8700190	LH WHEEL RETAINER
17	1	8700180	RH WHEEL RETAINER
18	1	0909499L	WHEEL GRID 3WP - LEFT
19	1	0909499R	WHEEL GRID 3WP - RIGHT
20	1	0803648	3-WAY PIVOT L-ARM - LEFT
21	1	0803649	3-WAY PIVOT L-ARM - RIGHT
22	2	0902382	1 INCH NYLON POLY COAT BASKET STRAP
	2	65287	BASKET TIRE STRAP - MEDIUM-LARGE, BLUE
23	2	65460	3-1/2 INCH FORK HOLDER
24	2	663530	FRAME FORK, 3 INCH CAST
25	2	663545	FRAME FORK SHORT, 4-1/2 INCH CAST
26	1	0940458	REESE HITCH RECEIVER, COMMON GEN2



Section V - PARTS

3,000 LB. UNDERLIFTS  
GEN 2 SERIES 10

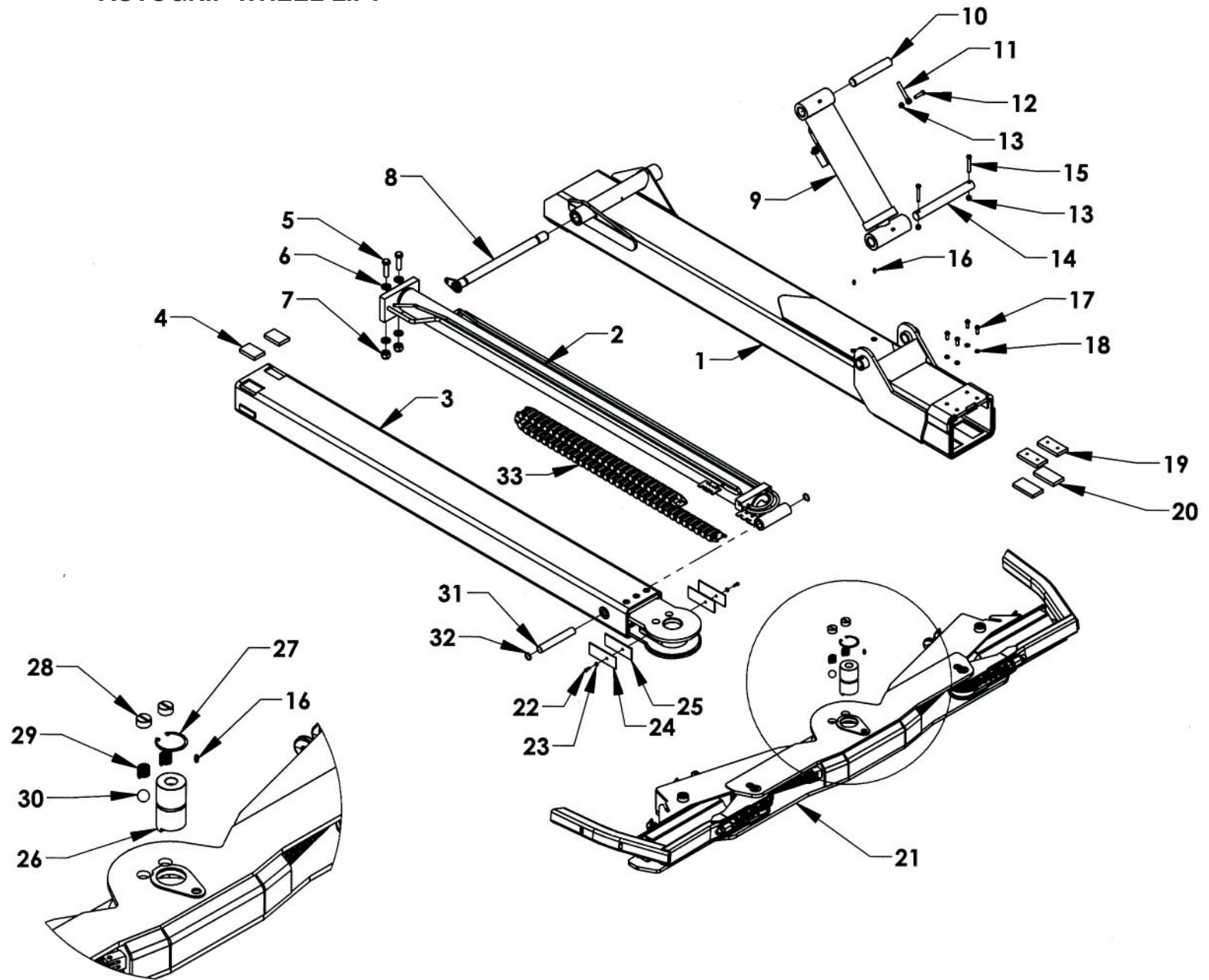


## Section V - PARTS

### 3,000 LB. UNDERLIFT - GEN 2

REF. NO.	NO. REQ'D	PART NUMBER	DESCRIPTION
1	1	10240408DS	UNDERLIFT OUTER BOOM TUBE
2	1	72A30054	WL EXTEND CYLINDER 3.0 BORE x 54 STROKE
3	1	0809411U	WHEEL LIFT BOOM HINGE PIN
4	1	729352	PIN - WHEEL LIFT EXTEND CYLINDER BASE
5	2	86100E	SNAP RING 1' EXTERNAL
6	1	0308372-1175	DOCK STABILIZER CYL. 4.0 BORE x 11.75 STROKE
7	1	0750562	EURO SCL LIFT CYL MOUNTING PIN-BASE
8	1	84680	KEEPER PIN 3/8 ROD END
9	1	0400132	BOLT, HHCS 3/8-16 UNC x 1-1/2
10	3	0400392	NYLON LOCK NUT 3/8-16 UNC
11	1	0750523	WHEEL LIFT REAR MOUNTING PIN
12	2	0400150	BOLT, HHCS 3/8-16 UNC x 2-1/2
13	3	7B130	GREASE FITTING 1/4-28
14	4	0403139	BOLT, BHCS 3/8-16 UNC x 1
15	4	0400482	LOCK WASHER 3/8
16	4	63595H	WEAR PAD NYLATRON NSM 1/2 x 2 x 4 W/HOLES
17	4	63595	WEAR PAD NYLATRON NSM 1/2 x 2 x 4
18	2	0809898-54	DOCK STABILIZER EXTENSION STAND (OPT)
19	2	0809646-54	DOCK STABILIZER SPADE (OPT)
20	1	0811159	4K UNDERLIFT INNER BOOM TUBE
21	1	10244P	4K UNDERLIFT INNER PINTLE BOOM TUBE
22	2	65613	WEAR PAD 1/2 x 2 x 3 NSM BEVELED
23	1	A3020H	PINTLE HOOK
24	1	A3020	PINTLE BALL
25	4	0400177	BOLT, HHCS 1/2-13 UNC x 1-1/4
26	4	0400491	WASHER 1/2 LOCK
27	1	102404-PP	4K INNER BOOM-PIVOTING PINTLE
28	1	143355	PIVOTING PINTLE HEAD WELDMENT - 4K
29	1	143142PP	PIN - PIVOTING PINTLE HEAD 4K
30	2	86125I	SNAP RING 1-1/4 INTERNAL
31	1	10244R	4K INNER BOOM - REESE RECEIVER
32	2	86100I	SNAP RING 1" INTERNAL
33	1	72940	CYLINDER PIN

Section V- PARTS  
AUTOGRIP WHEEL LIFT



## Section V - PARTS

### 3,000 LB. WHEEL LIFT SERIES 10 GEN 2 AUTOGRIP

REF. NO.	NO. REQ'D	PART NUMBER	DESCRIPTION
1	1	10240410	AUTOGRIP OUTER BOOM TUBE - 4K
2	1	72136	AUTOGRIP EXTEND CYL 3.0 BORE x 54 STROKE
3	1	102522	AUTOGRIP INNER BOOM WELDMENT
4	2	65612	WEAR PAD 1/2 x 2 x 3 NSM
5	2	0403141	BOLT, HHCS 5/8-11 UNC x 2-1/4
6	4	0400506	FLAT WASHER 5/8, Z
7	2	0400421	NYLON LOCK NUT 5/8-11 UNC
8	1	0809411U	WHEEL LIFT BOOM HINGE PIN
9	1	0308372-1175	DOCK STABILIZER CYLINDER 4 x 11.75
10	1	0750562	EURO SCL LIFT CYL. MOUNTING PIN-BASE
11	1	84680	KEEPER PIN 3/8 ROD END
12	1	0400132	BOLT 3/8-16 UNC x 1-1/2
13	1	0400392	NYLON LOCK NUT 3/8-16 ZP
14	1	0750523	WHEEL LIFT REAR MOUNTING PIN
15	2	0400150	BOLT, HHCS 3/8-16 UNC x 2-1/2
16	3	7B130	GREASE FITTING 1/4-28
17	4	0403139	BOLT BHCS 3/8-16 UNC x 1
18	4	0400482	LOCK WASHER 3/8
19	2	63595H	WEAR PAD NYLATRON NSM 1/2 x 2 x 4 W/HOLES
20	2	63595	WEAR PAD NYLATRON NSM 1/2 x 2 x 4
21	1	644002CG	AUTOGRIP CROSSBAR GEN 2
22	2	0403142	BOLT BHCS 1/4-20 UNC x 3/4
23	2	0400452	LOCK WASHER 1/4
24	2	64304C	HOSE CLAMP AUTOGRIP II YOKE
25	2	64304R	RUBBER GASKET FOR 64304C
26	1	644402	AUTOGRIP CROSSBAR PIVOT PIN GEN 2
27	1	862501	SNAP RING 2-1/2 INTERNAL
28	2	643272	AUTOGRIP DETENT SCREW GEN 2
29	2	69320	AUTOGRIP DETENT SPRING GEN 2
30	2	69325	AUTOGRIP DETENT BALL
31	1	72940	CYLINDER PIN 0.980 x 6-5/8
32	2	861001	SNAP RING 1" INTERNAL
33	1	69757	AUTOGRIP HOSE TRACK



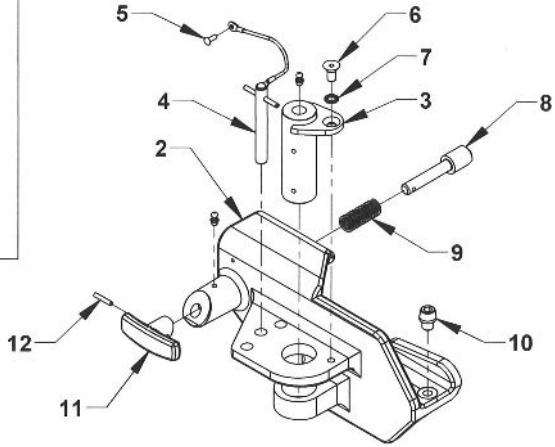
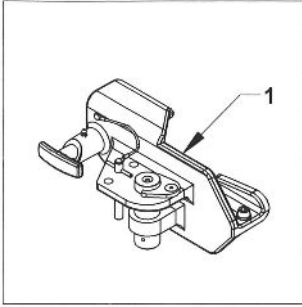
## Section V - PARTS

### AUTOGRIP II COMPONENTS

REF NO.	NO REQ'D	PART NUMBER	DESCRIPTION
1	1	644002	CROSSBAR WELDMENT
2	1	644352L	WHEEL RETAINER - LEFT
3	1	644352R	WHEEL RETAINER - RIGHT
4	2	644432	WHEEL RETAINER CYLINDER PIN
5	2	644452	ARM PIVOT PIN
6	1	697402L	WHEEL SPACER - LEFT
7	1	697402R	WHEEL SPACER - RIGHT
8	2	644292	HOSE GUARD
9	2	64327	SCREW-PLUG CROSSBAR DETENT
10	1	644402	CROSSBAR PIN
11	1	862501	SNAP RING 2.500 INCH INTERNAL
12	2	720152L	WHEEL RETAINER CYLINDER - LEFT
13	2	720152R	WHEEL RETAINER CYLINDER - RIGHT
14	2	727162	L-ARM CYLINDER END BLOCK
15	2	84921	T-PIN 5/8 x 3
16	4	87440	AUTOGRIP ARM CHAIN
	4	0403163	5/16 x 1-1/4 SHOULDER SHCS 1/4-20 UNC
	4	0400367	1/4-20 UNC NYLON LOCK NUT
17	2	0403161	3/8-15 x 5/8 ALLEN BOLT
18	4	0400421	5/8-11 NYLON LOCK NUT
19	2	0400430	3/4-10 NYLON LOCK NUT
20	4	64441	CHAIN CLEVIS
	4	0403164	5/16 x 1 SHOULDER SHCS 1/4-20 UNC
	4	0400367	1/4-20 UNC NYLON LOCK NUT
21	2	0400480	5/16 FLAT WASHER
22	2	861001	SNAP-RING 1.000 INCH INTERNAL
23	2	0902382	1 INCH NYLON POLY-COAT BASKET STRAP
	2	65287	BASKET TIRE STRAP - MEDIUM-LARGE BLUE
24	1	694520	AUTOGRIP PINTLE ADAPTOR (OPTIONAL)
25	1	174017159	PINTLE BALL ATTACHMENT (OPTIONAL)
26	1	174017156	PINTLE HOOK ATTACHMENT (OPTIONAL)
27	4	0403058	BOLT, HHCS 1/2-13 UNC x 1-3/4
28	4	0400491	LOCK WASHER, 1/2
29	4	0400407	HEX NUT 1/2-13 UNC
30	2	0403097	BOLT, HHCS 3/4-10 UNC x 6-1/2
31	2	0403082	LOCK WASHER 3/4
32	1	694510	AUTOGRIP TOWBALL ADAPTOR (OPTIONAL)
33	1		TOWBALL
34	1	83711	NUT 1.000 RAMCO LOCK

## Section V - PARTS

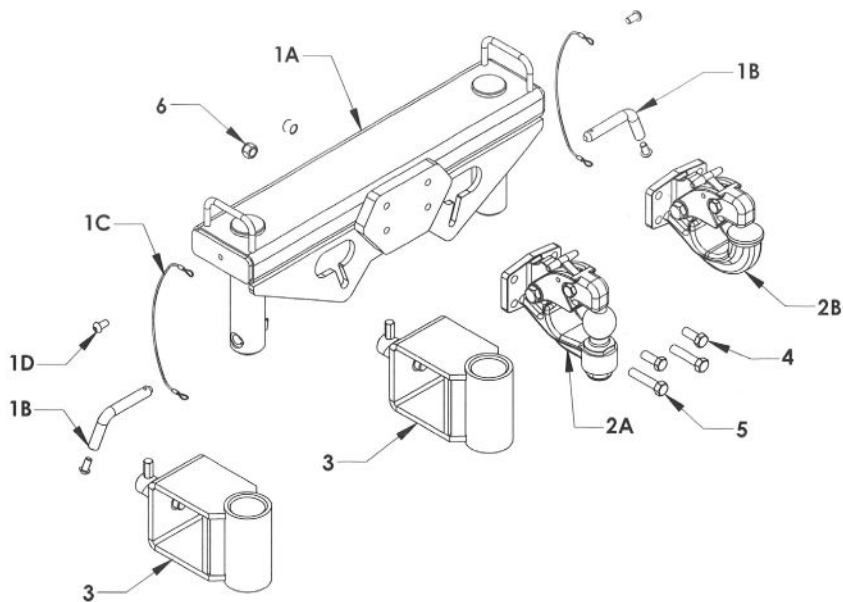
### PIVOT L-ARM RECEIVER GROUP



REF. NO.	NO. REQ'D	PART NUMBER	DESCRIPTION
1	1	09007328L 09007328R	PIVOT L-ARM RECEIVER GROUP-LEFT PIVOT L-ARM RECEIVER GROUP-RIGHT
2	1	0719079 0719080	PIVOT L-ARM RECEIVER CASTING-LEFT PIVOT L-ARM RECEIVER CASTING-RIGHT
3	1	0802187	L-ARM RECEIVER CASTING PIVOT PIN
4	1	0904744	PIN ASSEMBLY
	1	0714415	PIVOT LOCK PIN
	1	0303918	LANYARD
	1	0400044	DRIVE SCREW #10-24 x 1/2 ROUND HEAD
5	1	0400044	DRIVE SCREW #10-24 x 1/2 ROUND HEAD
6	1	0400349	SCREW 3/8-16 x 1/2 FHSC
7	1	0400481	LOCK WASHER 3/8 EXTERNAL TOOTH
8	1	0707505	7/8 CAM PIN
9	1	0302641	CAM PIN SPRING
10	1	0712933	SCREW 1/2-13 x 1/2 TAPERED SOCKET CAP
11	1	0302648	T-HANDLE
12	1	0400559	ROLL PIN 3/16 -1

## Section V - PARTS

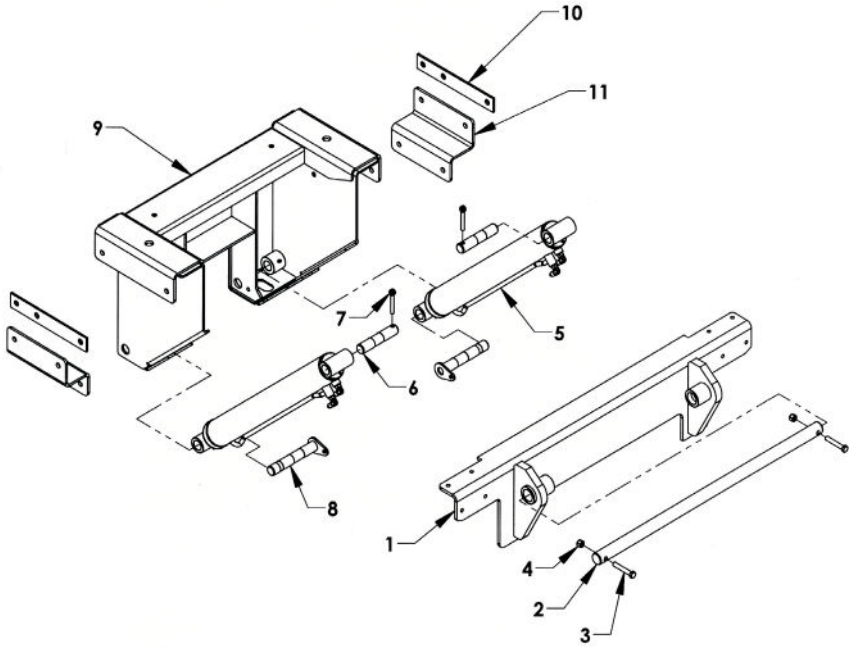
### PINTLE ATTACHMENT GROUP



REF	PART #	DESCRIPTION	QPU
1A	66370	PINTLE ATTACHMENT	1
1B	66378	RETAINING PIN	2
1C	65292	LANYARD	2
1D	0403004	BOLT BHCS 3/8-16 x 3/4	4
2A	A3020	TOW BALL PINTLE HITCH	1
2B	A3020H	PINTLE HOOK	1
3	66280	FORK HOLDER - 4 IN. CROSSBAR	2
	65460	FORK HOLDER - 3-1/2 IN. CROSSBAR	2
4	04000005	BOLT 1/2-13 X 1.25 GRADE 8 SECURE WITH LOCTITE	2
5	0403056	BOLT 1/2-13 X 2-1/2 GRADE 8	2
6	0400408	NUT, NYLOK 1/2-13	2

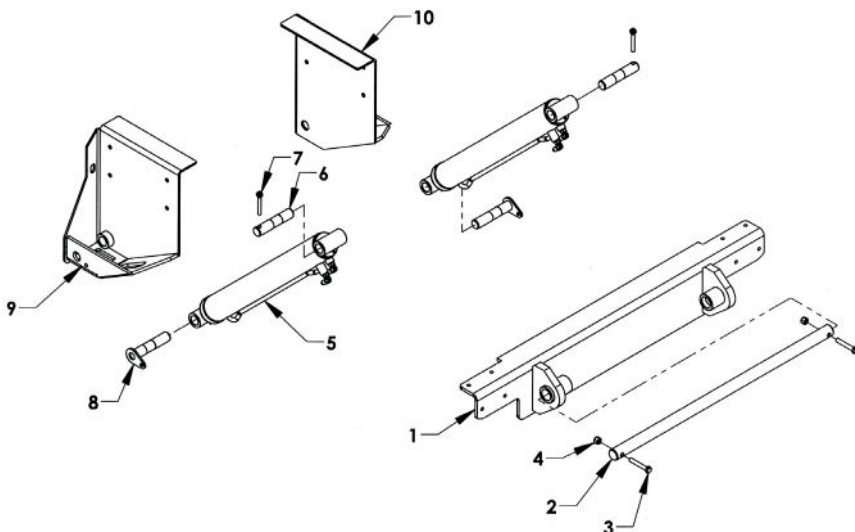


## Section V - PARTS INBOARD TILT CYLINDERS



REF	PART #	DESCRIPTION	QPU
1	0809927	HINGE ANGLE SERIES 10 G2	1
2	0752164	SUBFRAME HINGE PIN SERIES 10 G2	1
3	0403159	BOLT, HHCS 1/2-20 UNF x 3	2
4	0403160	NYLON LOCK NUT 1/2-20 UNF	2
5	721092	TILT CYLINDER 3 x 23	2
6	13068	PIN-TILT CYLINDER BASE	2
7	84680	KEEPER PIN 3/8 ROD END	2
8	1A828A	INBOARD SADDLE TILT PIN	2
9	1A8002	INBOARD SADDLES 10/14	1
10	1A821S	SADDLE SHIM	2
11	1A925	INBOARD SADDLE UNDER-FRAME Z-BRACKET	2

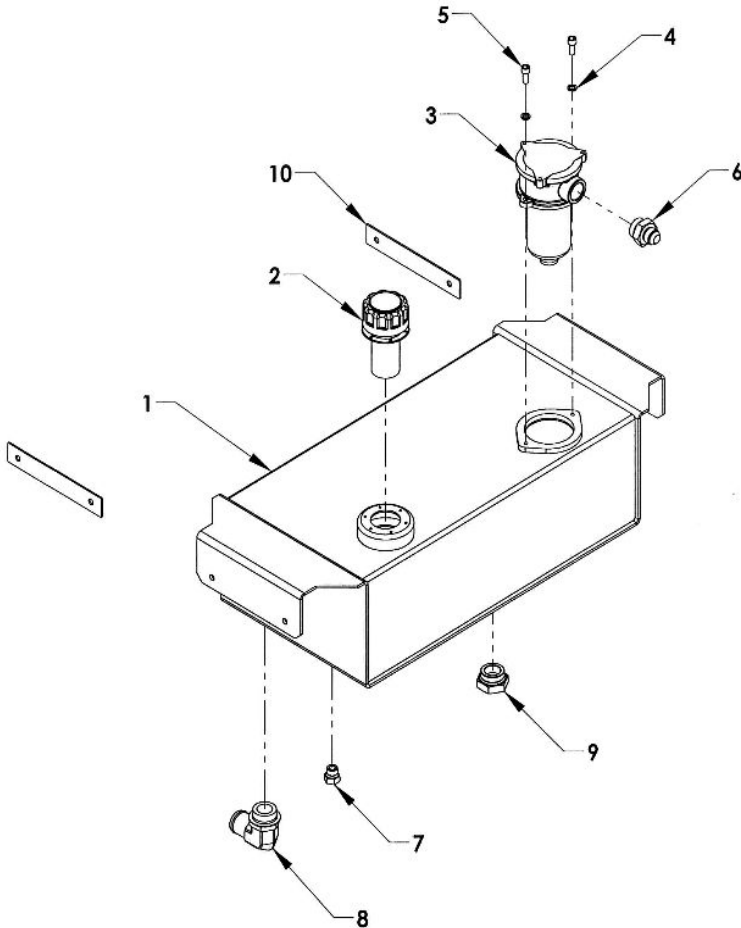
## Section V - PARTS OUTBOARD TILT CYLINDERS



REF	PART #	DESCRIPTION	QPU
1	0809927-FD	SERIES 10 G2 HINGE ANGLE-FORD/DODGE	1
2	0752164	SERIES 10 G2 SUBFRAME HINGE PIN	1
3	0403159	BOLT, HHCS 1/2-20 UNF x 3	2
4	0403160	NYLON LOCK NUT 1/2-20 UNF	2
5	721092	TILT CYLINDER 3 x 23	2
6	13068	PIN - TILT CYLINDER BASE	2
7	84680	KEEPER PIN 3/8 ROD END	2
8	1A735	OUTBOARD TILT CYLINDER KEEPER PIN	2
9	1A730L	18 IN. OUTBOARD TILT SADDLE - LEFT	1
10	1A730R	18 IN. OUTBOARD TILT SADDLE - RIGHT	1

## Section V - PARTS

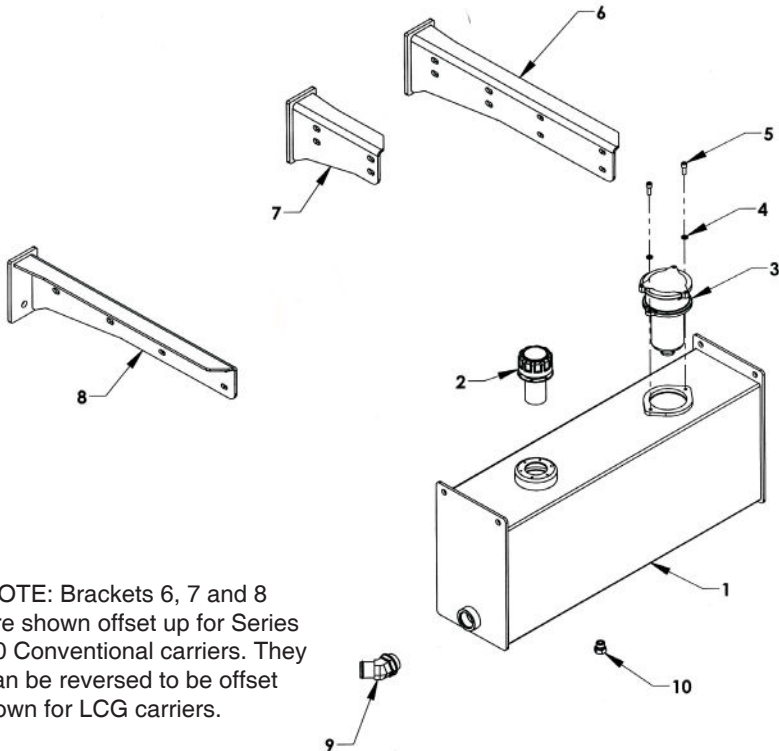
### INBOARD OIL RESERVOIR GROUP



REF	PART #	DESCRIPTION	QPU
1	763100	INBOARD OIL RESERVOIR WELDMENT	1
2	76213	FILLER BREATHER CAP	1
3	76270	FILTER ASSEMBLY	1
	76271	REPLACEMENT FILTER ELEMENT	1
4	0400464	LOCK WASHER 5/16 ZINC PLATE	2
5	04001427	BH CAP SCREW 5/16-18 UNC x 7/8 SS	2
6	779A7	ADAPTOR 202702-16 x 12	1
7	03006085	ADAPTOR 900598-8 (DRAIN PLUG)	1
8	77C92	20 x 24 SUCTION HOSE FITTING 90 °	1
9	0403111	ADAPTOR 900598-20 (DRAIN PLUG)	1
10	763106	FRAME WIDTH SHIM	2

## Section V - PARTS

### 12 GAL. OUTBOARD OIL TANK GROUP (CONVENTIONAL CARRIER)

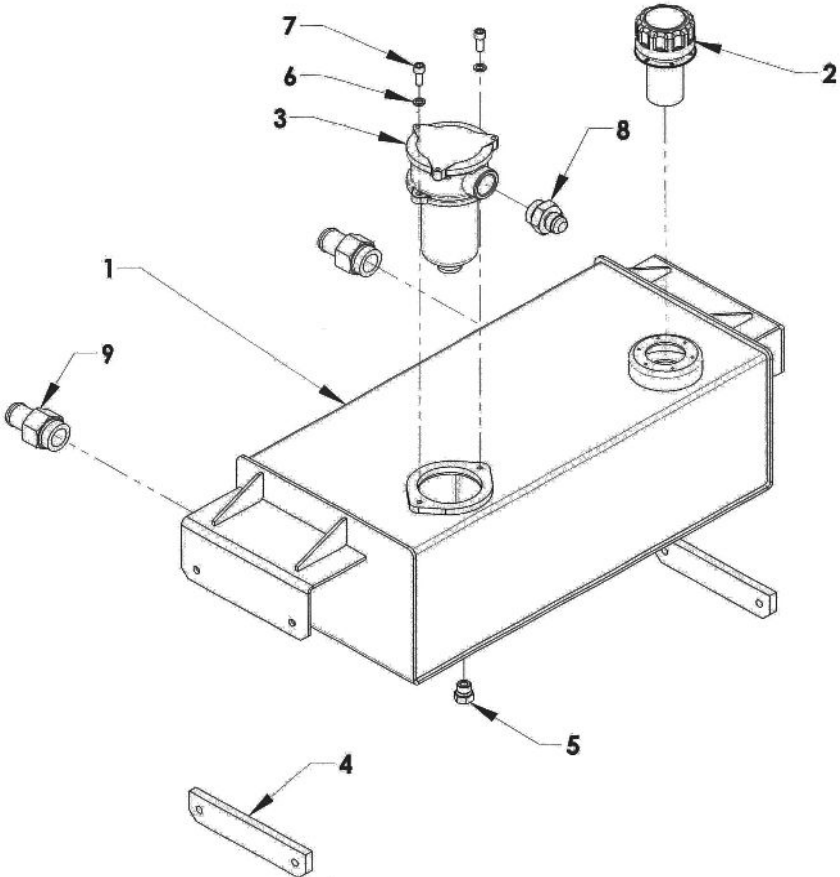


NOTE: Brackets 6, 7 and 8 are shown offset up for Series 10 Conventional carriers. They can be reversed to be offset down for LCG carriers.

REF	PART #	DESCRIPTION	QPU
1	762110	12 GAL. OUTBOARD OIL TANK WELDMENT	1
2	76213G	FILLER BREATHER CAP ASSEMBLY	1
3	76270	IN-TANK FILTER ASSEMBLY #16 SAE PORT	1
4	0400464	LOCK WASHER 5/16 ZINC PLATE	2
5	04001427	BHCS 5/16-18 UNC x 7/8 SS	2
6	37855R	TOOL BOX AND OIL TANK MTG. BRACKET - R	1
7	37858R	OIL TANK MOUNTING BRACKET - RIGHT	1
8	37855L	TOOL BOX AND OIL TANK MTG. BRACKET - L	1
9	ADPTR2061-20x24H	ADAPTOR 2061-20 x 24H (24 GPM)	1
	ADPTR2061-20x20H	ADAPTOR 2061-20 x 20H (15-18 GPM)	1
10	03006085	#8 O-RING PLUG-ADAPTOR 900898-8	1

## Section V - PARTS

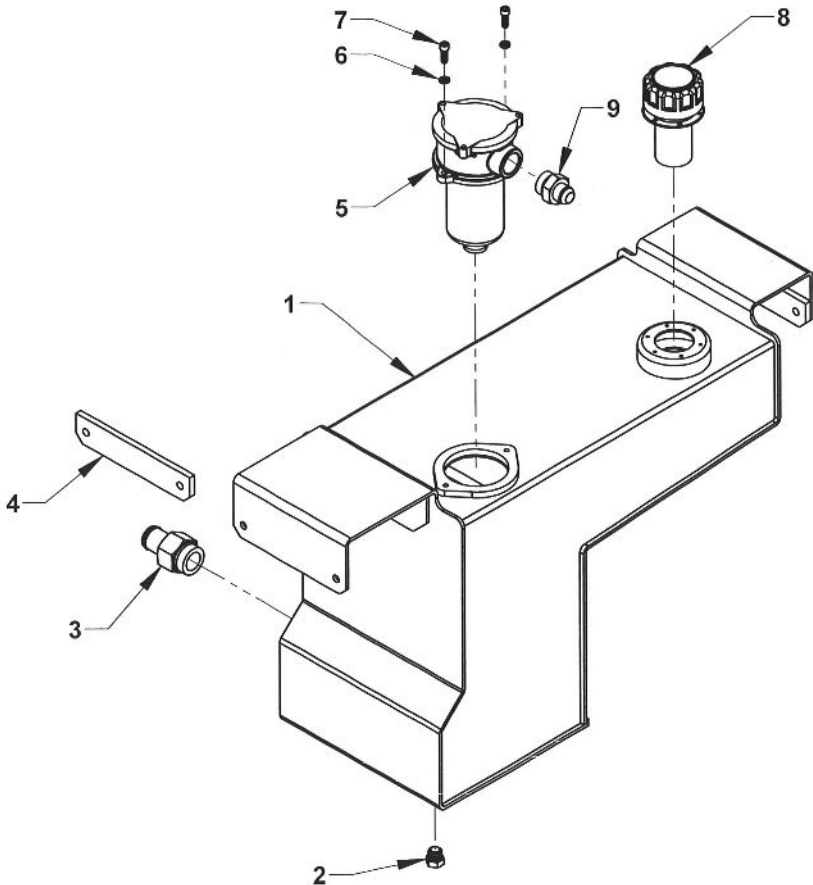
### INBOARD OIL RESERVOIR GROUP TRANSFER FLOW FUEL TANK



REF	PART #	DESCRIPTION	QPU
1	0811131	INBOARD OIL TANK - TRANSFER FLOW	1
2	76213	FILLER BREATHER CAP	1
3	76270	IN-TANK FILTER ASSEMBLY #16 SAE PORT	1
	9018399	IN-TANK FILTER ASSEMBLY #16 SAE PORT	1
4	0752557-500	INBOARD OIL TANK SHIM - 1/2 (DODGE)	2
5	03006085	#8 O-RING PLUG	1
6	0400464	LOCK WASHER 5/16 SS	2
7	04001427	CAP SCREW 5/16-18 UNC x 7/8 SS	2
8	779A7	ADAPTOR 202702 - 16 x 12	1
9	77C00	STRAIGHT SUCTION HOSE FITTING 20 x 20	2

## Section V - PARTS

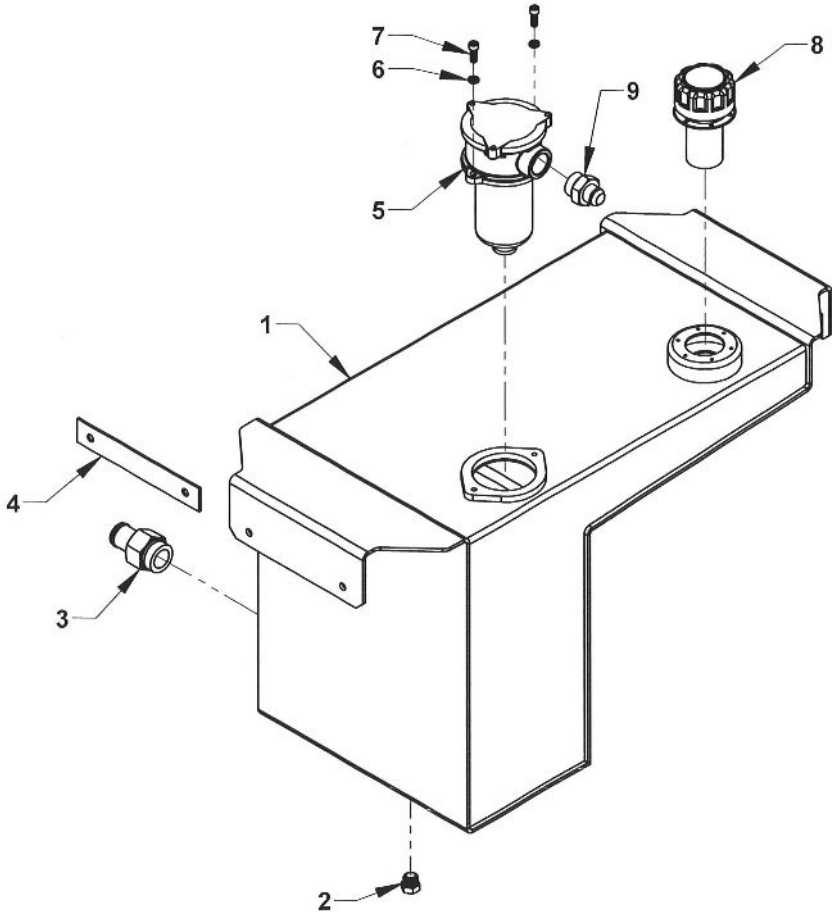
### 2017 FORD F550/DODGE 550 OIL RESERVOIR GROUP - 09003530



REF	QTY	PART #	DESCRIPTION
1	1	08003114	SERIES 10 G2 IBT OFFSET OIL TANK - 12 GAL
2	1	03006085	#8 O-RING PLUG
3	1	77C00	STRAIGHT SUCTION HOSE FITTING 20 x 20
4	2	0752557-375	IB OIL TANK SHIM - 3/8 (DODGE ONLY)
5	1	76270	IN-TANK FILTER ASSEMBLY #16 SAE PORT
	1	76271	REPLACEMENT FILTER ELEMENT
6	2	0400464	LOCK WASHER 5/16 ZP
7	2	04001427	BOLT SHCS 5/16-18 UNC x 7/8 SS
8	1	76213	FILLER BREATHER CAP
9	1	779A7	ADAPTOR 202702 - 16 x 12

## Section V - PARTS

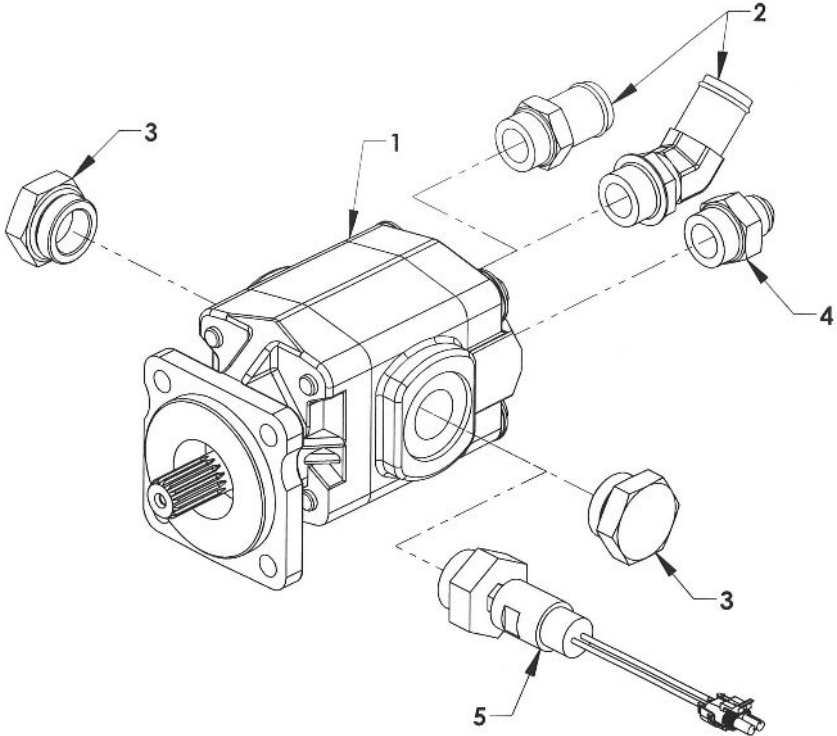
### 13 GAL. OIL RESERVOIR GROUP - 09011010 2019 GM / INTERNATIONAL CV



REF	QTY	PART #	DESCRIPTION
1	1	08009249	SERIES 10 G2 IBT OFFSET OIL TANK - 13 GAL
2	1	03006085	#8 O-RING PLUG
3	1	77C00	STRAIGHT SUCTION HOSE FITTING 20 x 20
4	2	763106-125	IB OIL TANK SHIM - 3/8 (DODGE ONLY)
5	1	76270	IN-TANK FILTER ASSEMBLY #16 SAE PORT
	1	76271	REPLACEMENT FILTER ELEMENT
6	2	0400464	LOCK WASHER 5/16 ZP
7	2	04001427	BOLT SHCS 5/16-18 UNC x 7/8 SS
8	1	76213	FILLER BREATHER CAP
9	1	779A7	ADAPTOR 202702 - 16 x 12

## Section V - PARTS

### DIRECT MOUNT PUMP - 18 GPM

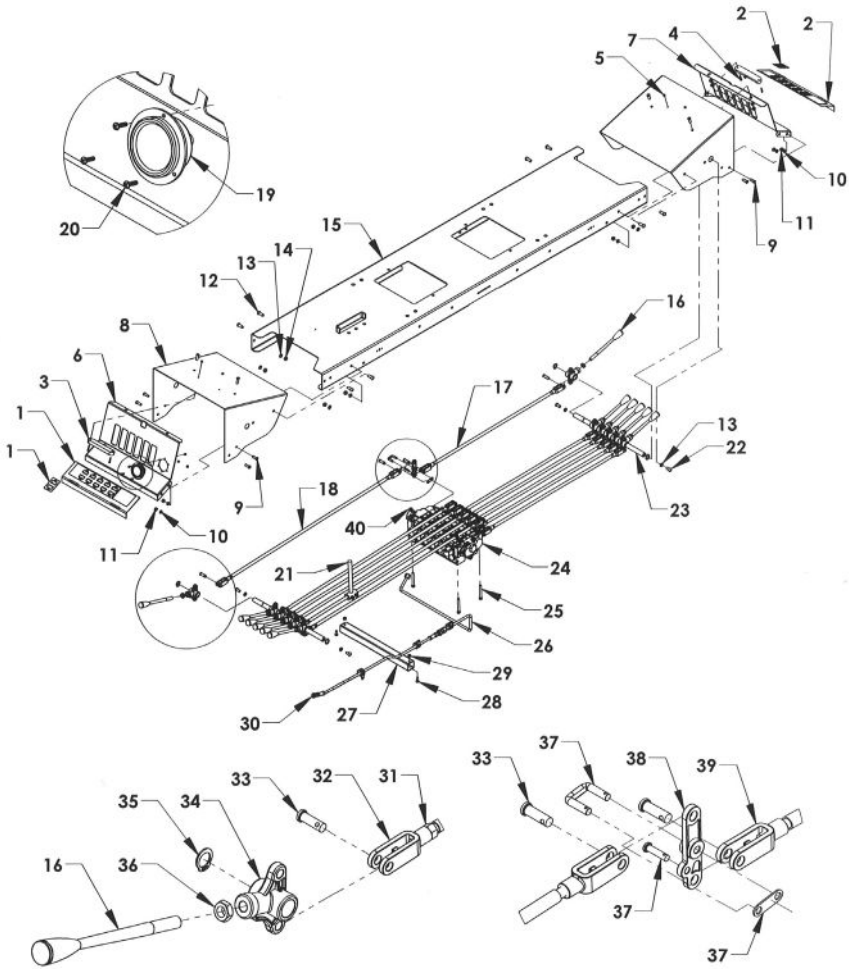


REF	PART #	DESCRIPTION	QPU
1	0320144	18 GPM , 1 IN.15 SPLINE SHAFT, SAE 4-BOLT FLANGE	1
2	03006339	#16-45 M O-RING x 1-1/4 M NIPPLE	1
	77C82	#16 M O-RING x 1-1/4 M NIPPLE	1
3	77620	1-1/4 O-RING PLUG 900598-20	2
4	0301368	#16 M O-RING X 3/4 MJIC	1
5	0909434	PRESSURE TRANSDUCER (OPTIONAL)	1



# Section V - PARTS

## 6-SPOOL CONTROL STATION



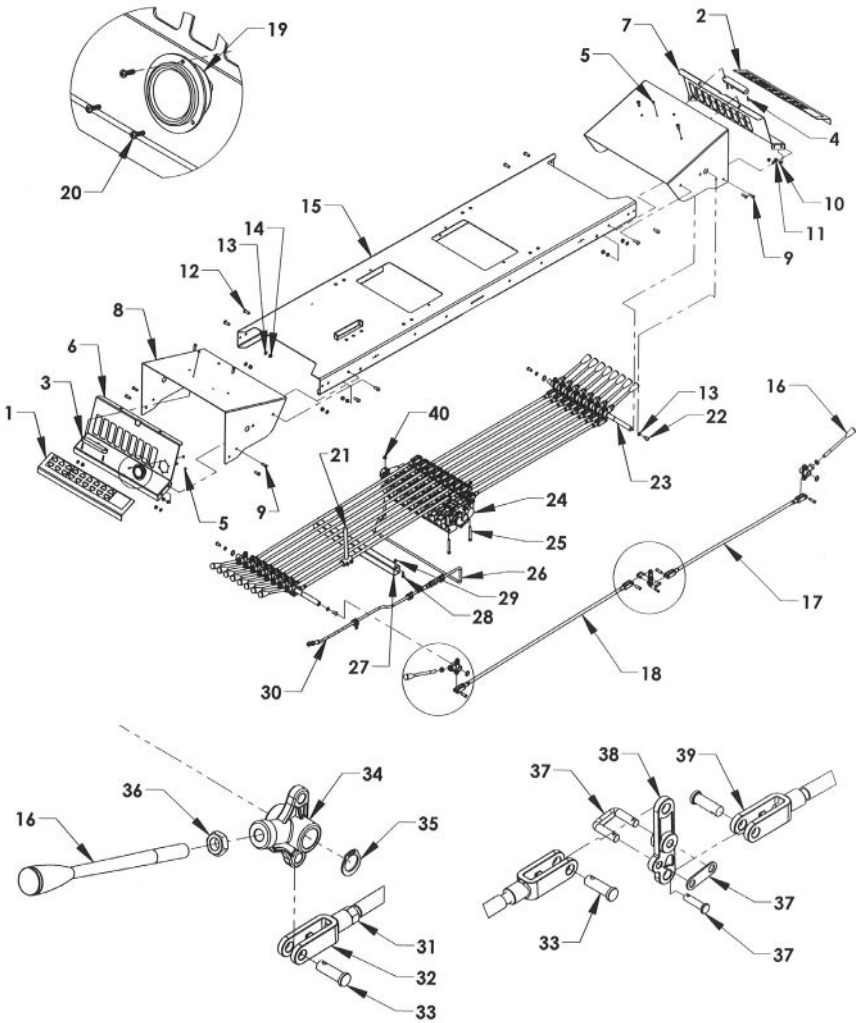
## Section V - PARTS

### 6-SPOOL CONTROL STATION

REF. NO.	NO. REQ'D	PART NUMBER	DESCRIPTION
1	1	18212L	5 SPOOL/6 SPOOL CONTROL PLACARD-LEFT
	1	18237	CONTROL PLACARD AUTOGRIP OVERLAY
2	1	18212R	5 SPOOL/6 SPOOL CONTROL PLACARD-RIGHT
	1	18237	CONTROL PLACARD AUTOGRIP OVERLAY
3	2	0320162	LED CONTROL STATION LIGHT - 6 IN.
4	4	04000281	SCREW, PHILLIPS #6-32 UNC x 7/8
5	7	0403147	NYLON LOCK NUT #6-32 SS
6	1	0752652L	CONTROL PANEL - LEFT
7	1	0752652R	CONTROL PANEL - RIGHT
8		0752651	CONTROL HOOD
9	12	0403079	BHCS 5/16-18 UNC x 1
10	12	0402118	LOCK WASHER 5/16 SS
11	12	0403074	HEX NUT 5/16-18 UNC
12	8	04001085	BHCS 3/8-16 UNC x 1 SS
13	12	0402121	LOCK WASHER 3/8 SS
14	8	0402122	NYLON LOCK NUT 3/8-16 UNC
15	1	181286W	CONTROL BOX ARM WELDMENT - 79.5 IN
16	6	0320048-GY	CONTROL HANDLE 8" - GRAY
	2	0320048-RD	CONTROL HANDLE 8" - RED
	4	0320048-BL	CONTROL HANDLE 8" - BLUE
17	6	7A528W	CONTROL ROD 28-1/2
18	6	7A538W	CONTROL ROD 37-3/4
19	1	0320157	PRESSURE GAUGE HYDRAULIC - 2 IN.
20	6	04000282	SCREW PHILLIPS #6-32 x 1/2
21	1	0809904	ANTI-TILT CONTROL ROD WELDMENT
22	4	0400878	BHCS 3/8-16 UNC x 3/4
23	2	7A5753-17	CONTROL HANDLE CROSS ROD 3/4 x 17
24	1	74116	VALVE BODY GRESEN 6 SPOOL
	1	74115	VALVE BODY GRESEN 5 SPOOL (COMMON)
25	3	0403169	HHCS 5/16-18 UNC x 2-3/4
26	1	0752718-5	CONTROL STATION GAUGE FLUID TUBE - 5 SP
	1	0752718-6	CONTROL STATION GAUGE FLUID TUBE - 6 SP
27	1	18335	CONTROL STATION WIRE TUBE - 6 SPOOL
28	2	0400066	HHCS 1/4-20 UNC x 3/4
29	2	0400367	NYLON LOCK NUT 1/4-20 UNC
30	1	0320169	PRESSURE GAUGE HOSE
31	12	0403115	NUT 3/8-24 HF RH
32	12	84530	CLEVIS - RIGHT HAND THREAD
33	24	84620	CLEVIS PIN 3/8 x 1-1/8
34	12	7A1155	CONTROL HANDLE PIVOT BASE
35	4	86075E	SNAP RING 3/4 EXTERNAL
36	12	0400410	1/2-13 UN JAM NUT ZP
37	6	7A010	CLEVIS PIN AND LINK ASSEMBLY
38	6	7A121	BELL CRANK
39	12	84540	CLEVIS - LEFT HAND THREAD
40	3	0400382	NYLON LOCK NUT 5/16-18 UNC

# Section V- PARTS

## 9-SPOOL CONTROL STATION

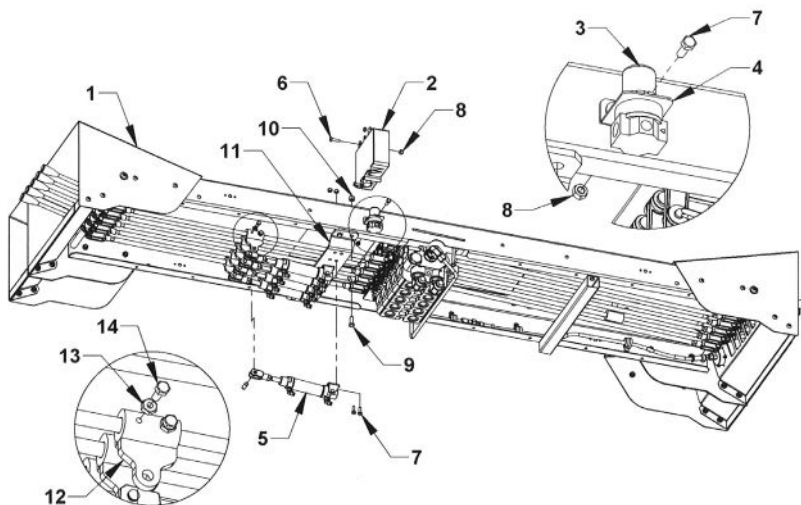


## Section V - PARTS 9-SPOOL CONTROL STATION

REF. NO.	NO. REQ'D	PART NUMBER	DESCRIPTION
1	1	18219L	CONTROL PLACARD 4-CAR AUTOGRIP - LEFT
	1	18218L	CONTROL PLACARD 4-CAR CARRIER - LEFT
	1	18224L	CONTROL PLACARD SIDEPULLER OVERLAY - LFT
	1	18235L	CONTROL PLACARD DUAL DECK - LEFT
	1	18236L	CONTROL PLACARD DUAL DECK AG OVERLAY-LT
2	1	18219R	CONTROL PLACARD 4-CAR AUTOGRIP - RIGHT
	1	18218R	CONTROL PLACARD 4-CAR CARRIER - RIGHT
	1	18224R	CONTROL PLACARD SIDEPULLER OVERLAY-RT
	1	18235R	CONTROL PLACARD DUAL DECK - RIGHT
3	1	18236R	CONTROL PLACARD DUAL DECK AG OVERLAY-RT
	2	0320162	LED CONTROL STATION LIGHT - 6 IN.
4	4	04000281	SCREW, PHILLIPS #6-32 UNC x 7/8
5	7	0403147	NYLON LOCK NUT #6-32 SS
6	1	0752654L	CONTROL PANEL - LEFT
7	1	0752654R	CONTROL PANEL - RIGHT
8	2	0752653	CONTROL HOOD
9	12	0403079	BHCS 5/16-18 UNC x 5/8
10	12	0402118	LOCK WASHER 5/16, SS
11	12	0403074	HEX NUT 5/16-18 UNC
12	8	04001085	BHCS 3/8-16 UNC x 1, SS
13	12	0402121	LOCK WASHER 3/8 SS
14	8	0402122	NYLON LOCK NUT 3/8-16 UNC
15	1	181289W	CONTROL BOX ARM WELDMENT - 79.5 IN
16	6	0320048-GY	CONTROL HANDLE 8" - GRAY
	4	0320048-RD	CONTROL HANDLE 8" - RED
	6	0320048-BL	CONTROL HANDLE 8" - BLUE
	2	0320048-GR	CONTROL HANDLE 8" - GREEN
17	9	7A528W	CONTROL ROD 28-1/2
18	9	7A538W	CONTROL ROD 37-3/4
19	1	0320157	PRESSURE GAUGE HYDRAULIC - 2 IN.
20	3	04000282	SCREW PHILLIPS #6-32 x 1/2
21	1	0809904	ANTI-TILT CONTROL ROD WELDMENT
22	4	0403169	BHCS 3/8-16 UNC x 3/4
23	2	7A5753-20	CONTROL HANDLE CROSS ROD 3/4 x 20-3/4
24	1	74118	VALVE BODY GRESEN 8-SPOOL
	1	74119	VALVE BODY GRESEN 9 SPOOL
	3	0403169	HHCS 5/16-18 UNC x 2-3/4
25	1	0752718-8	CONTROL STATION GAUGE FLUID TUBE - 8 SP
26	1	0752718-9	CONTROL STATION GAUGE FLUID TUBE - 9 SP
27	1	18336	CONTROL STATION WIRE TUBE - 9 SPOOL
28	2	0400366	HHCS 1/4-20 UNC x 3/4
29	2	0400367	NYLON LOCK NUT 1/4-20 UNC
30	1	0320169	PRESSURE GAUGE HOSE
31	18	0403115	NUT 3/8-24 HF RH
32	18	84530	CLEVIS - RIGHT HAND THREAD
33	36	84620	CLEVIS PIN 3/8 x 1-1/8
34	18	7A1155	CONTROL HANDLE PIVOT BASE
35	4	86075E	SNAP RING 3/4 EXTERNAL
36	18	0400410	1/2-13 UNC JAM NUT ZP
37	9	7A010	CLEVIS PIN AND LINK ASSEMBLY
38	9	7A121	BELL CRANK
39	18	84540	CLEVIS - LEFT HAND THREAD
40	3	0400382	NYLON LOCK NUT 5/16-18 UNC

## Section V - PARTS

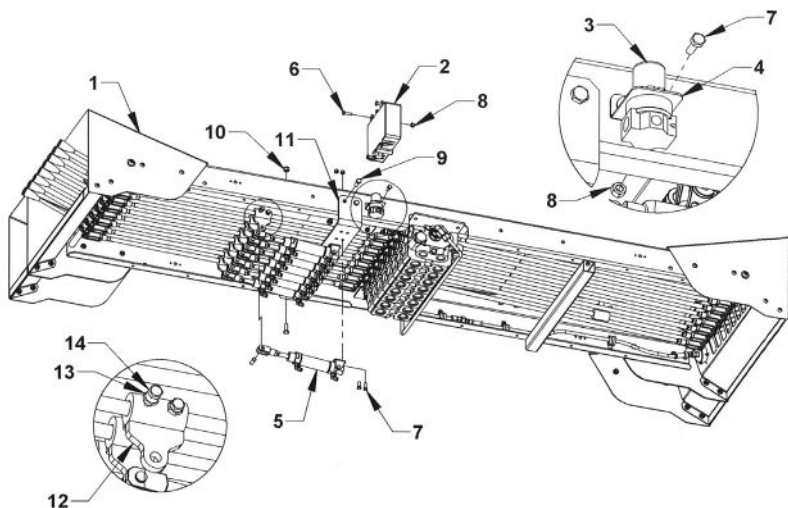
### REMOTE AIR CYLINDERS 6-SPOOL



REF. NO.	QTY	PART NUMBER	DESCRIPTION
1	1	183126	6-SPOOL CONTROL STATION
2	1	0308726-2	RADIO CONTROL RECEIVER BOX 2-FUNCTION
		0308726-4	RADIO CONTROL RECEIVER BOX 4-FUNCTION
		0308726-6	RADIO CONTROL RECEIVER BOX 6-FUNCTION
		03087256-8	RADIO CONTROL RECEIVER BOX 8-FUNCTION
		0308726-10	RADIO CONTROL RECEIVER BOX 10-FUNCTION
		0308726-12	RADIO CONTROL RECEIVER BOX 12-FUNCTION
		0308726-16	RADIO CONTROL RECEIVER BOX 16-FUNCTION
3	1	71713	AIR PRESSURE REGULATOR
4	1	0752351	AIR PRESSURE REGULATOR MTG BRACKET
5	X	0308711	AIR CYLINDER 2 INCH STROKE
6	3	0403043	BOLT HHCS 1/4-20 UNC x 1 GR5
7	X	0400066	BOLT HHCS 1/4-20 UNC x 3/4 GR5
8	X	0400367	NUT NYLOK 1/4-20 UNC
9	4	0400126	BOLT HHCS 3/8-18 UNC x 1 GR5
10	4	0400392	NUT NYLOC 3/8-16 UNC
11	1	181381	AIR CYLINDER MTG BRKT 6-SPOOL GEN2
12	X	0809905	BOLT-ON AIR CYLINDER PLATE WELDMENT
13	X	0400366	NUT HEX 1/4-20 UNC
14	X	0400059	BOLT HHCS 1/4-20 UNC x 5/8 GR5

## Section V - PARTS

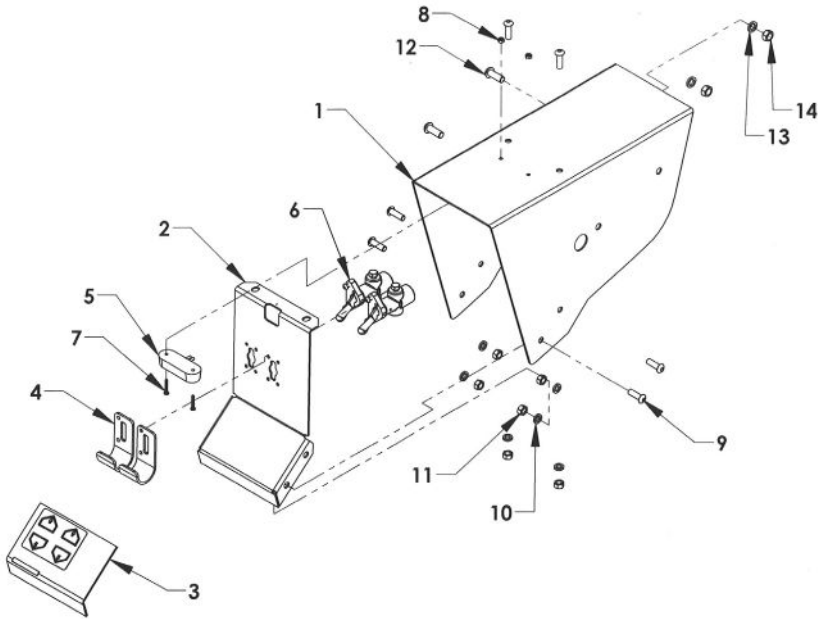
### REMOTE AIR CYLINDERS 9-SPOOL



REF. NO.	QTY	PART NUMBER	DESCRIPTION
1	1	183129	9-SPOOL CONTROL STATION
2	1	0308726-2	RADIO CONTROL RECEIVER BOX 2-FUNCTION
		0308726-4	RADIO CONTROL RECEIVER BOX 4-FUNCTION
		0308726-6	RADIO CONTROL RECEIVER BOX 6-FUNCTION
		03087256-8	RADIO CONTROL RECEIVER BOX 8-FUNCTION
		0308726-10	RADIO CONTROL RECEIVER BOX 10-FUNCTION
		0308726-12	RADIO CONTROL RECEIVER BOX 12-FUNCTION
		0308726-16	RADIO CONTROL RECEIVER BOX 16-FUNCTION
3	1	71713	AIR PRESSURE REGULATOR
4	1	0752351	AIR PRESSURE REGULATOR MTG BRACKET
5	X	0308711	AIR CYLINDER 2 INCH STROKE
6	3	0403043	BOLT HHCS 1/4-20 UNC x 1 GR5
7	X	0400066	BOLT HHCS 1/4-20 UNC x 3/4 GR5
8	X	0400367	NUT NYLOK 1/4-20 UNC
9	4	0400126	BOLT HHCS 3/8-18 UNC x 1 GR5
10	4	0400392	NUT NYLOC 3/8-16 UNC
11	1	181381	AIR CYLINDER MTG BRKT 6-SPOOL GEN2
12	X	0809905	BOLT-ON AIR CYLINDER PLATE WELDMENT
13	X	0400366	NUT HEX 1/4-20 UNC
14	X	0400059	BOLT HHCS 1/4-20 UNC x 5/8 GR5

## Section V - PARTS

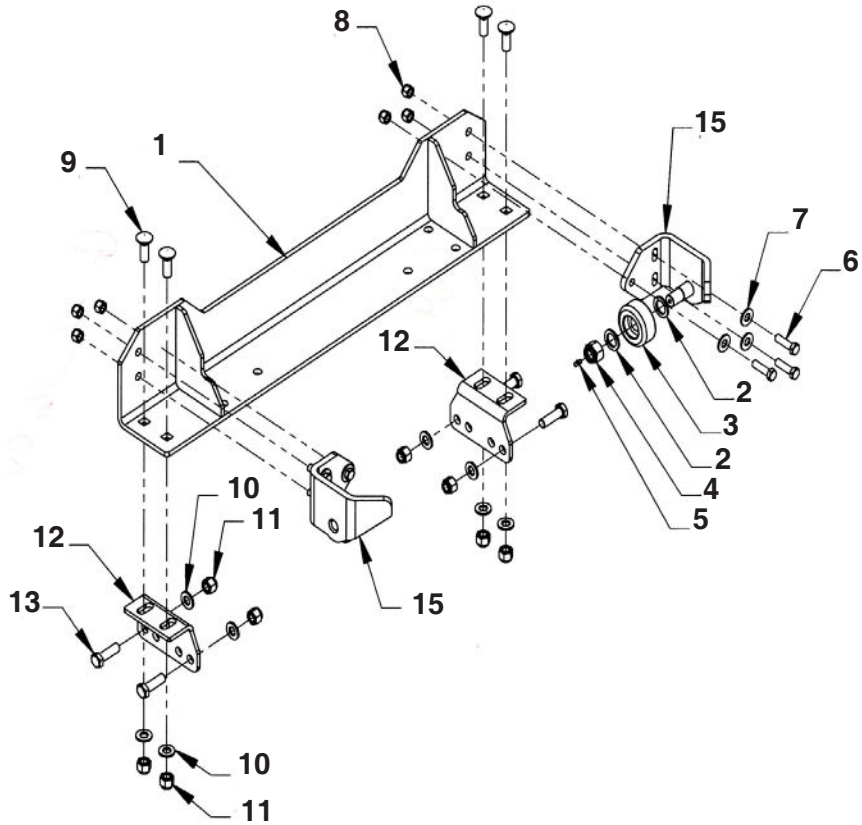
### 2 AIR VALVE CONTROL STATION



REF. NO.	NO. REQ'D	PART NUMBER	DESCRIPTION
1	1	0752655	2-TOGGLE AIR VALVE CONTROL HOOD
2	1	0752656L	2-TOGGLE AIR VALVE CONTROL PANEL - LEFT
	1	0752656R	2-TOGGLE AIR VALVE CONTROL PANEL - RIGHT
3	1	18221L	2-TOGGLE AIR VALVE CONTROL PLACARD - LEFT
	1	18221R	2-TOGGLE AIR VALVE CONTROL PLACARD - RIGHT
4	2	18145	TOGGLE AIR GUARD
5	1	0320161	CONTROL LIGHT
6	2	71716	TOGGLE AIR VALVE
7	2	04000281	SCREW PRH #6-32 UNC x 7/8 SS
8	2	0403147	NUT, NYLON #6-32 UNC SS
9	6	0403079	BOLT BHCS 5/16-18 UNC x 1 SS
10	6	0402118	LOCK WASHER 5./16 SS
11	6	0403074	NUT, NYLON 5/16-18 UNC SS
12	2	04001085	BOLT HHCS 3/8-16 UNC x 1 SS
13	2	0402121	LOCK WASHER 3/8-16 SS
14	2	0402122	NUT, NYLON 3/8-16 UNC

## Section V - PARTS

### BODY LOCK

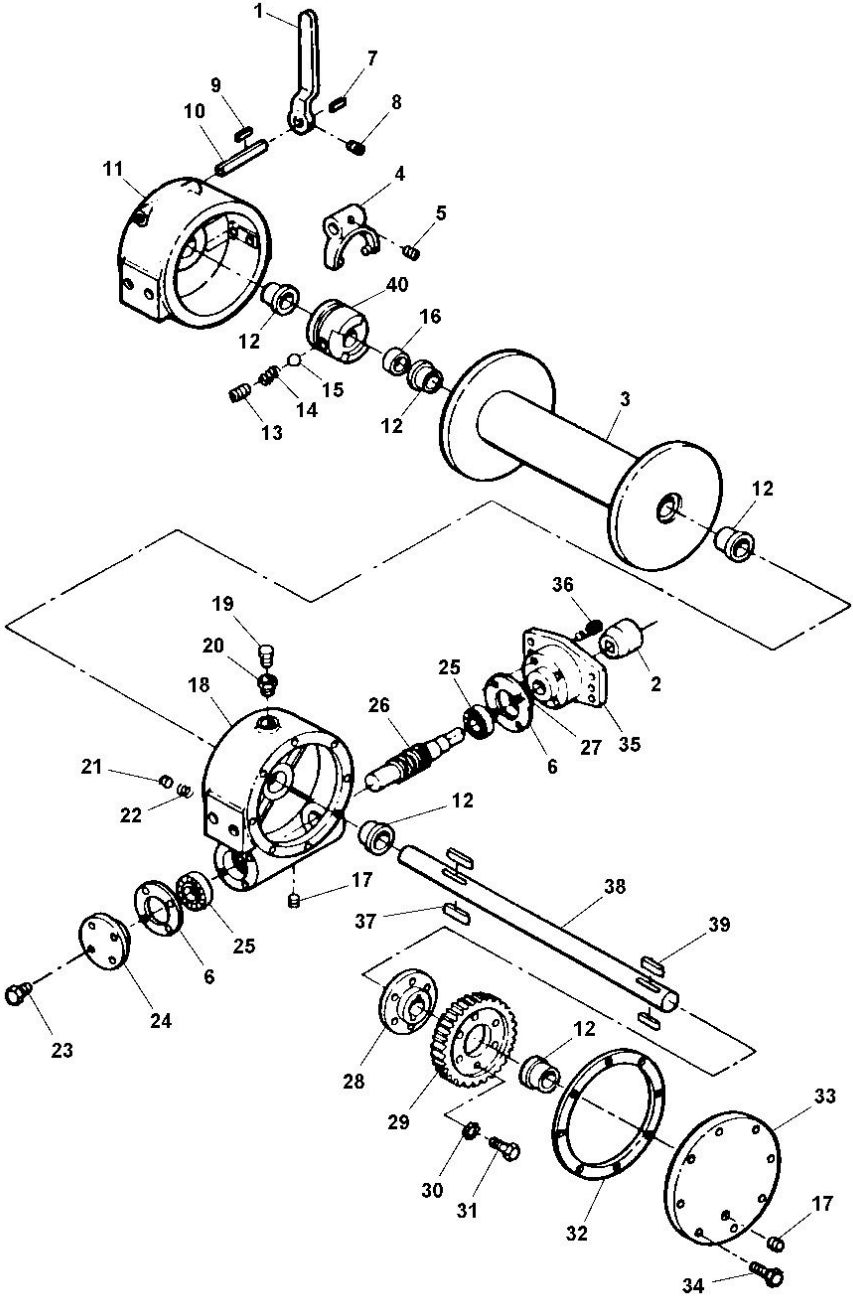


REF	PART #	DESCRIPTION	QPU
1	0809928	SERIES 10/20/30 G2 ROLLER BED LOCK	1
2	0400470	FLAT WASHER 1	4
3	36310	ROLLER WHEEL	2
4	04001225	NYLON LOCK NUT 7/8-14 UNF	2
5	0306382	GREASE FITTING 1/4-28	2
6	0400211	BOLT, HHCS 1/2-13 UNC x 1-3/4	6
7	0400492	FLAT WASHER 1/2 IN.	6
8	0400408	NYLON LOCK NUT 1/2-13 UNC	6
9	0403068	CARRIAGE BOLT 5/8-11 UNC x 1-3/4	4
10	0400505	FLAT WASHER 5/8	8
11	0400421	NYLON LOCK NUT 5/8-11 UNC	8
12	0809183	BODY LOCK MOUNTING BRACKET	2
13	0400260	BOLT, HHCS 5/8-11 UNC x 2 GRADE 5	4
14	36315L	BODY LOCK HOLD-DOWN - LEFT	1
15	36315R	BODY LOCK HOLD DOWN - RIGHT	1



Section V - PARTS

RAMSEY 234 HYDRAULIC WINCH



## Section V - PARTS

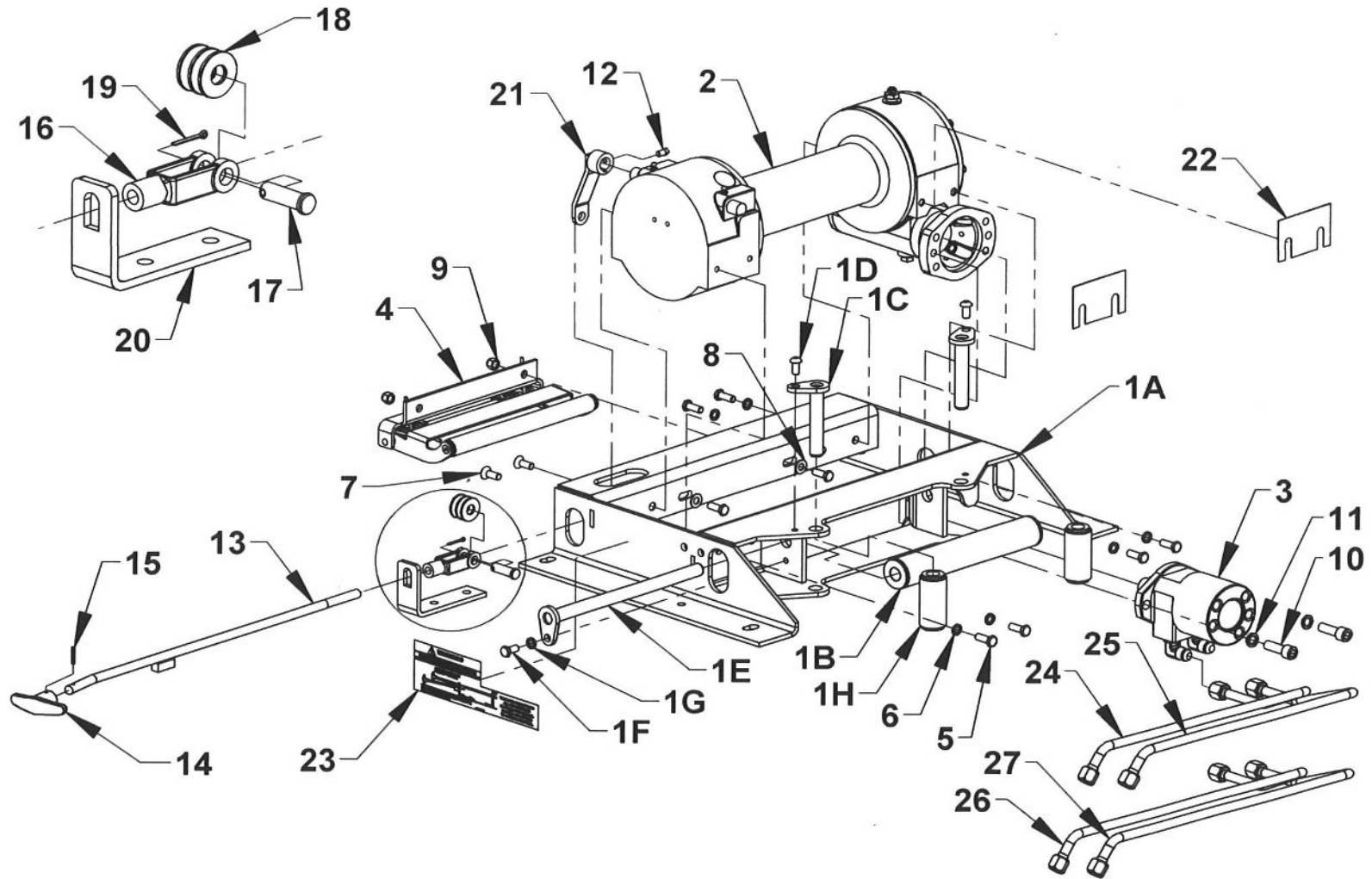
### RAMSEY 234 HYDRAULIC WINCH

REF. NO.	NO. REQ'D	PART NUMBER	DESCRIPTION
1	1	0300261	LEVER
2	1	0300290	COUPLING
3	1	0300381	DRUM
4	1	0300398	YOKE
5	1	0300399	SCREW
6	2	0300447	GASKET
7	1	0300448	KEY
8	1	0300449	SCREW
9	1	0300450	KEY
10	1	0300451	SHAFT
11	1	0300452	CLUTCH HOUSING
12	5	0300453	BUSHING
13	1	0300454	SCREW
14	1	0300455	SPRING
15	1	0300456	BALL
16	1	0300458	SPACER
17	2	0300459	PLUG
18	1	0300460	HOUSING
19	1	0300461	PLUG
20	1	0300462	REDUCER
21	1	0300463	DRAG BRAKE
22	1	0300464	SPRING
23	16	0300465	SCREW
24	1	0300466	CAP
25	2	0300467	BEARING
26	1	0300468	WORM
27	1	0300471	SEAL
28	1	0300472	HUB
29	1	0300473	GEAR
30	6	0300474	WASHER
31	6	0300475	SCREW
32	1	0300476	GASKET
33	1	0600477	COVER
34	4	0300569	SCREW
35	1	0300694	CAP ADAPTOR
36	1	0300695	SCREW
37	2	--	KEY
38	1	--	SHAFT
39	2	--	KEY
40	1	--	CLUTCH
41	1	0308608	TORSION SPRING
*	1	<b>0308698</b>	<b>4 TON WORM WINCH ASSEMBLY</b>

\* When ordering specify winch serial number.

Section V - PARTS

RAMSEY HD234 MANUAL-SHIFT WINCH GROUP  
W/SINGLE CLUTCH CONTROL ROD ASSEMBLY  
(UNDERWIND)

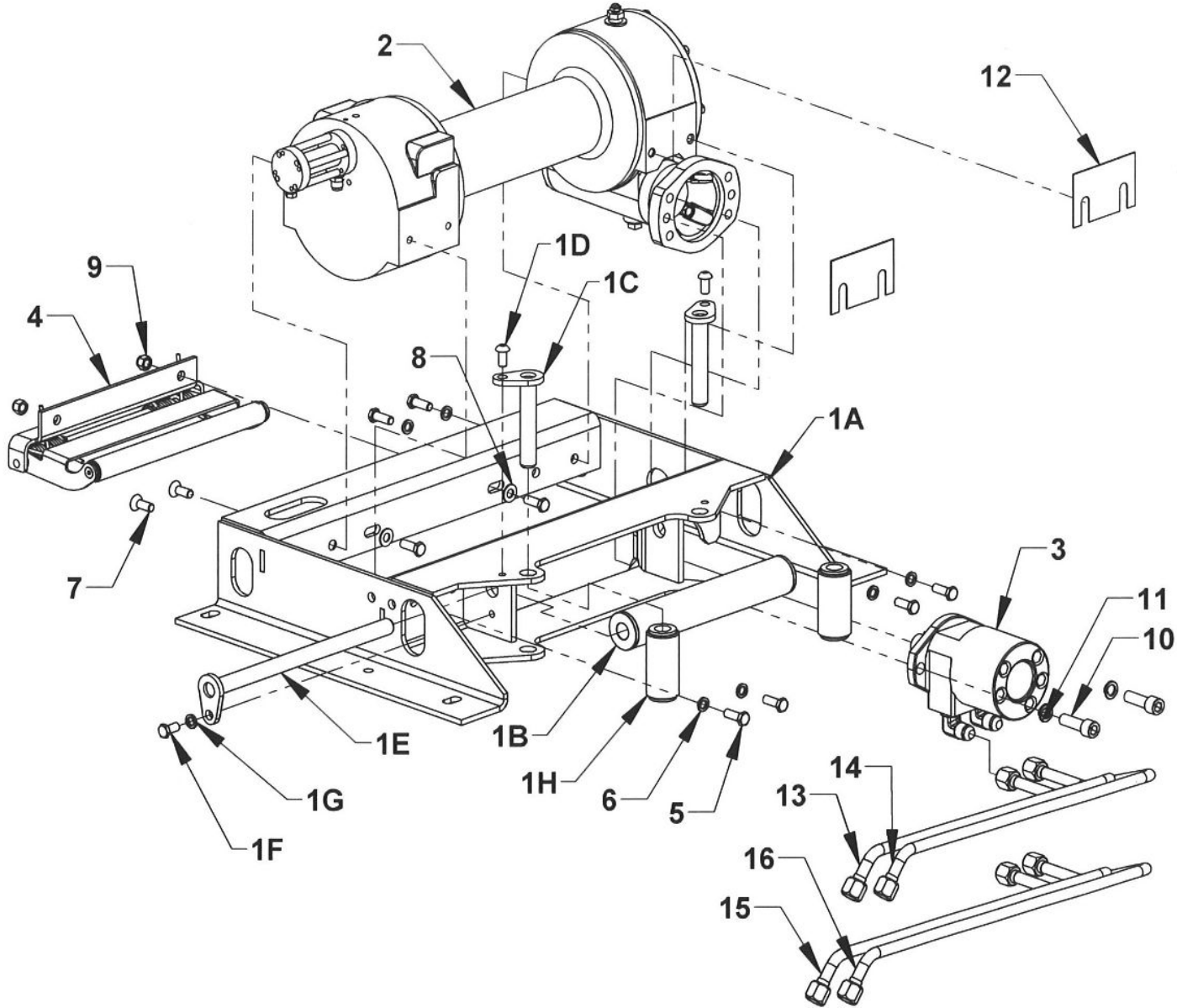


## Section V - PARTS

### RAMSEY HD234 MANUAL-SHIFT WINCH GROUP W/SINGLE CLUTCH CONTROL ROD ASSEMBLY (UNDERWIND)

REF. NO.	NO. REQ'D	PART NUMBER	DESCRIPTION
1	1	0940425	RAMSEY HD234 WINCH MTG FRAME-GEN2
1A	1	0811139	RAMSEY HD234 WINCH MOUNTING FRAME
1B	1	0940428	ROLLER ASSEMBLY - 1-3/4 DIAMETER
1C	1	0811142	VERTICAL ROLLER KEEPER PIN - RAMSEY 8K
1D	2	0403004	BOLT- BHCS 3/8-16 UNC x 3/4 ZP
1E	2	0811145	ROLLER GUIDE KEEPER PN - RAMSEY 8K
1F		0400121	BOLT- HHCS 3/8-16 UNC x 3/4 ZP
1G	1	0400482	LOCK WASHER 3/8 ZP
1H	1	0709877G	RAMSEY HD234 VERTICAL ROLLER W/BUSHINGS
2	2	0308698	RAMSEY WINCH HD234 LEVER LOCK MANUAL SHIFT
3	1	0320147	WINCH MOTOR 5 CUBIC INCH
4	1	03005617	RAMSEY ROLLER TENSIONER-HD234
5	1	0400126	BOLT- HHCS 3/8-16 UNC x 1 ZP
6	8	0400482	LOCK WASHER 3/8 ZP
7	6	0403137	BOLT FHSCS 3/8-16 x 1 GRB
8	2	0400480	FLAT WASHER 3/8 ZP
9	2	0400392	NUT NYLOCK 3/8-16 ZP
10	2	0400238	BOLT SHCS 1/2-13 x 1-1/2 GRB
11	2	0400491	LOCK WASHER 1/2 ZP
12	2	0400116	SET SCREW SQHD 5/16-18 x 1/2 ZP
13	1	0805170	RAMSEY WINCH CLUTCH CONTROL ROD
14	1	0301532	MILLER T-HANDLE
15	1	0400560	ROLL PIN 5/32 x 1
16	1	0301588	ADJUSTABLE YOKE
17	1	0400537	CLEVIS PIN 1/2 x 1-1/2 ZP
18	3	0400492	WASHER 1/2 FLAT
19	1	0400540	COTTER PIN 3/32 x 1
20	1	0710918	RAMSEY CLUTCH HANDLE MOUNTING ANGLE
21	1	0505151	BELL CRANK ARM
22	2	0701172-18	SHIM-RAMSEY HD234
23	1	0500815	WINCH SAFETY DECAL
24	1	0752167-R	WINCH MOTOR FLUID TUBE-S10-G2-RAMSEY SHORT
25	1	0752168-R	WINCH MOTOR FLUID TUBE-S10-G2 RAMSEY LONG
26	1	0751974-R	WINCH MOTOR FLUID TUBE-S12-G2-RAMSEY SHORT
27	1	0751975-R	WINCH MOTOR FLUID TUBE-S12-G2 RAMSEY LONG

**Section V - PARTS**  
**RAMSEY HD234 AIR-SHIFT WINCH GROUP**



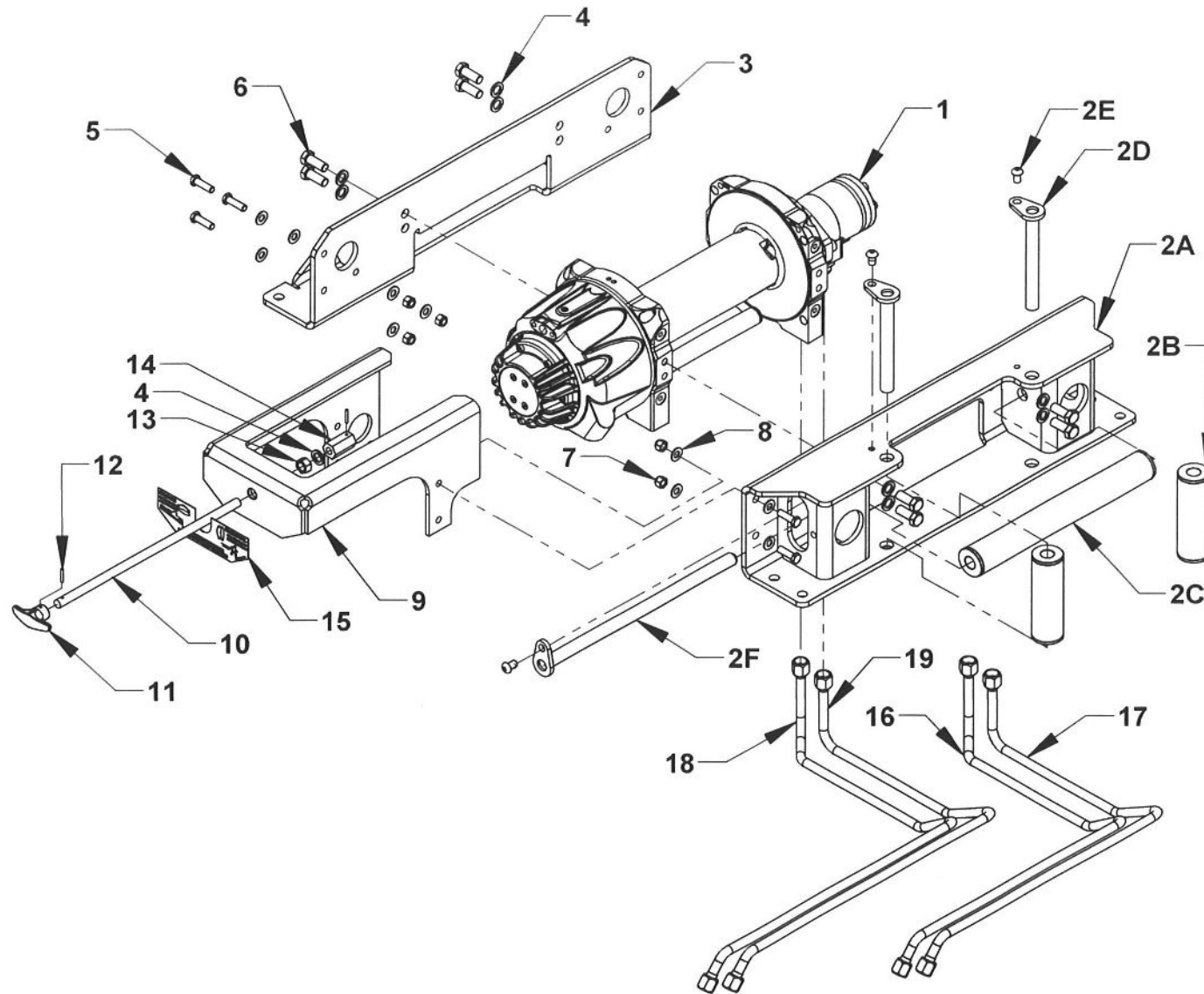
## Section V - PARTS

### RAMSEY HD234 AIR-SHIFT WINCH GROUP

REF. NO.	NO. REQ'D	PART NUMBER	DESCRIPTION
1	1	0940425	RAMSEY HD234 WINCH MTG FRAME-GEN2
1A	1	0811139	RAMSEY HD234 WINCH MOUNTING FRAME
1B	1	0940428	ROLLER ASSEMBLY - 1-3/4 DIAMETER
1C	1	0811142	VERTICAL ROLLER KEEPER PIN - RAMSEY 8K
1D	2	0403004	BOLT- BHCS 3/8-16 UNC x 3/4 ZP
1E	2	0811145	ROLLER GUIDE KEEPER PN - RAMSEY 8K
1F		0400121	BOLT- HHCS 3/8-16 UNC x 3/4 ZP
1G	1	0400482	LOCK WASHER 3/8 ZP
1H	1	0709877G	RAMSEY HD234 VERTICAL ROLLER W/BUSHINGS
2	2	0308535	RAMSEY WINCH HD234 LEVER LOCK MANUAL SHIFT
3	1	0320147	WINCH MOTOR 5 CUBIC INCH
4	1	03005617	RAMSEY ROLLER TENSIONER-HD234
5	1	0400126	BOLT- HHCS 3/8-16 UNC x 1 ZP
6	8	0400482	LOCK WASHER 3/8 ZP
7	6	0403137	BOLT FHSCS 3/8-16 x 1 GRB
8	2	0400480	FLAT WASHER 3/8 ZP
9	2	0400392	NUT NYLOCK 3/8-16 ZP
10	2	0400238	BOLT SHCS 1/2-13 x 1-1/2 GRB
11	2	0400491	LOCK WASHER 1/2 ZP
12	2	0701172-18	SHIM-RAMSEY HD234
13	1	0752167-R	WINCH MOTOR FLUID TUBE-S10-G2-RAMSEY SHORT
14	1	0752168-R	WINCH MOTOR FLUID TUBE-S10-G2 RAMSEY LONG
15	1	0751974-R	WINCH MOTOR FLUID TUBE-S12-G2-RAMSEY SHORT
16	1	0751975-R	WINCH MOTOR FLUID TUBE-S12-G2 RAMSEY LONG

Section V - PARTS

RAMSEY WINCH - 0940421-0810AM  
8K SIERRA PLANETARY MANUAL SHIFT



## Section V - PARTS

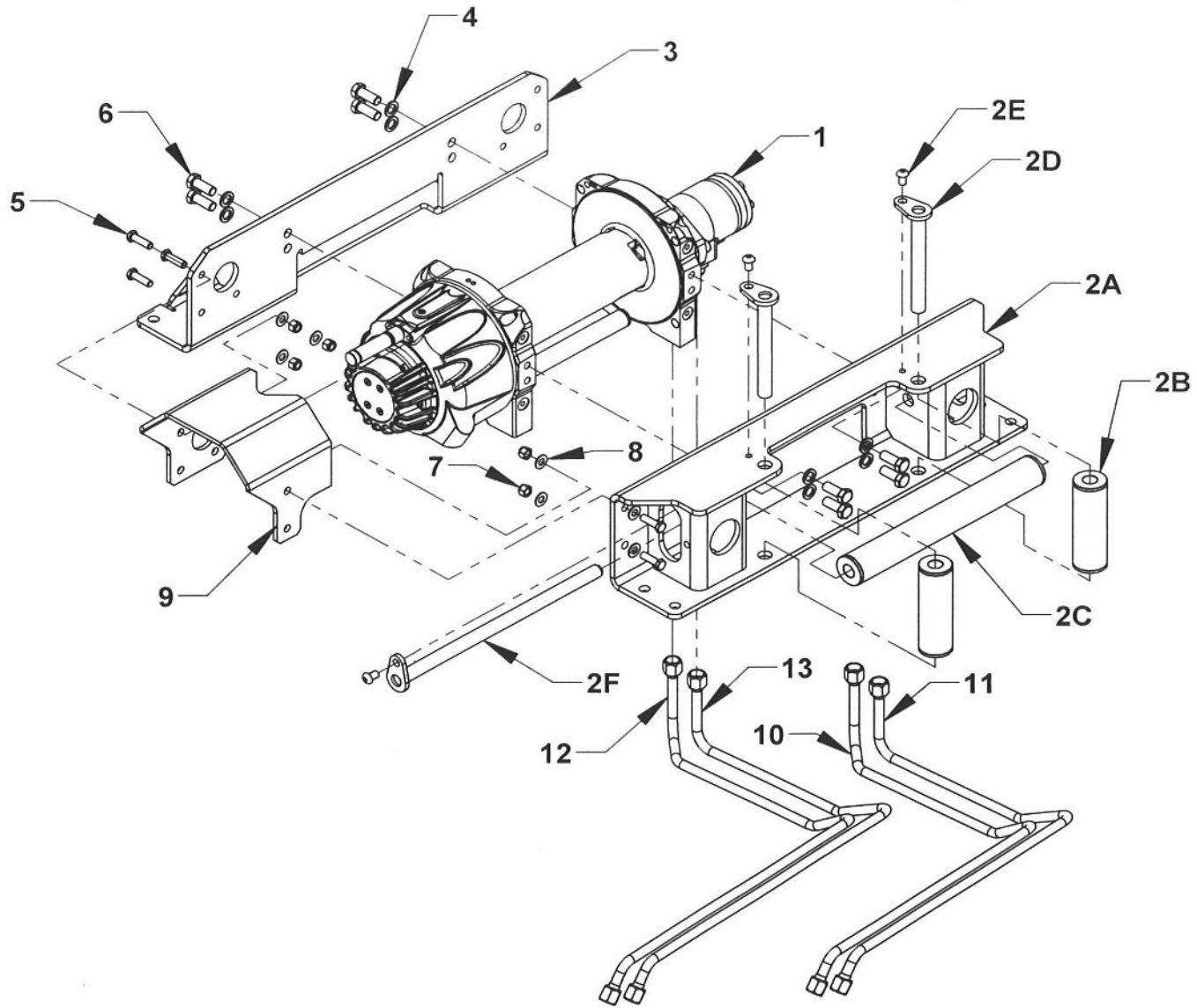
### RAMSEY WINCH - 0940421-0810AM 8K SIERRA PLANETARY MANUAL SHIFT

REF. NO.	NO. REQ'D	PART NUMBER	DESCRIPTION
1	1	0320127-0810AM	RAMSEY SIERRA 8K PLANETARY WINCH
2	1	0940422	RAMSEY SIERRA ROLLER GUIDE ASSEMBLY
2A	1	0811127	RAMSEY SIERRA ROLLER GUIDE
2B	2	0809640	ROLLER ASSEMBLY - 1.75 DIAMETER
2C	1	A901520	ROLLER ASSEMBLY - 1.75 DIAMETER
2D	2	0809641	ROLLER GUIDE KEEPER PIN
2E	3	0403161	BOLT 3/8-16 UNC x 5/8 BUTTON HEAD
2F	1	A901525	ROLLER GUIDE KEEPER PIN
3	1	0811128	RAMSEY SIERRA FRONT MTG CHANNEL
4	9	0400491	WASHER 1/2 LOCK
5	5	0400122	BOLT HHCS 3/8-16 UNC x 1-1/4
6	8	0400177	BOLT HHCS 1/2-13 UNC x 1-1/4
7	5	0400392	NYLON LOCK NUT 3/8-16 UNC
8	10	0400480	FLAT WASHER 3/8 SAE ZP
9	1	0752527	RAMSEY SIERRA T-HANDLE SUPPORT BRKT
10	1	0752684	RAMSEY SIERRA REMOTE CLUTCH ROD
11	1	RW336010	RAMSEY FREE SPOOL TEE HANDLE
12	2	84660	ROLL PIN 1/8 X 7/8
13	1	0400407	NUT HEX 1/2
14	1	71812	COUPLER-RAMSEY CLUTCH ROD EXTENSION
15	1	05001443	FREE SPOOL DECAL RAMSEY SIERRA
16	1	0752167-RS08	S10 G2 RAMSEY SIERRA 8K FLUID TUBE-SHORT
17	1	0752168-RS08	S10 G2 RAMSEY SIERRA 8K FLUID TUBE-LONG
18	1	0752174-RS08	S12 G2 RAMSEY SIERRA 8K FLUID TUBE-SHORT
19	1	0752175-RS08	S12 G2 RAMSEY SIERRA 8K FLUID TUBE-LONG



Section V - PARTS

RAMSEY WINCH - 0940421-0810AA  
8K SIERRA PLANETARY AIR SHIFT

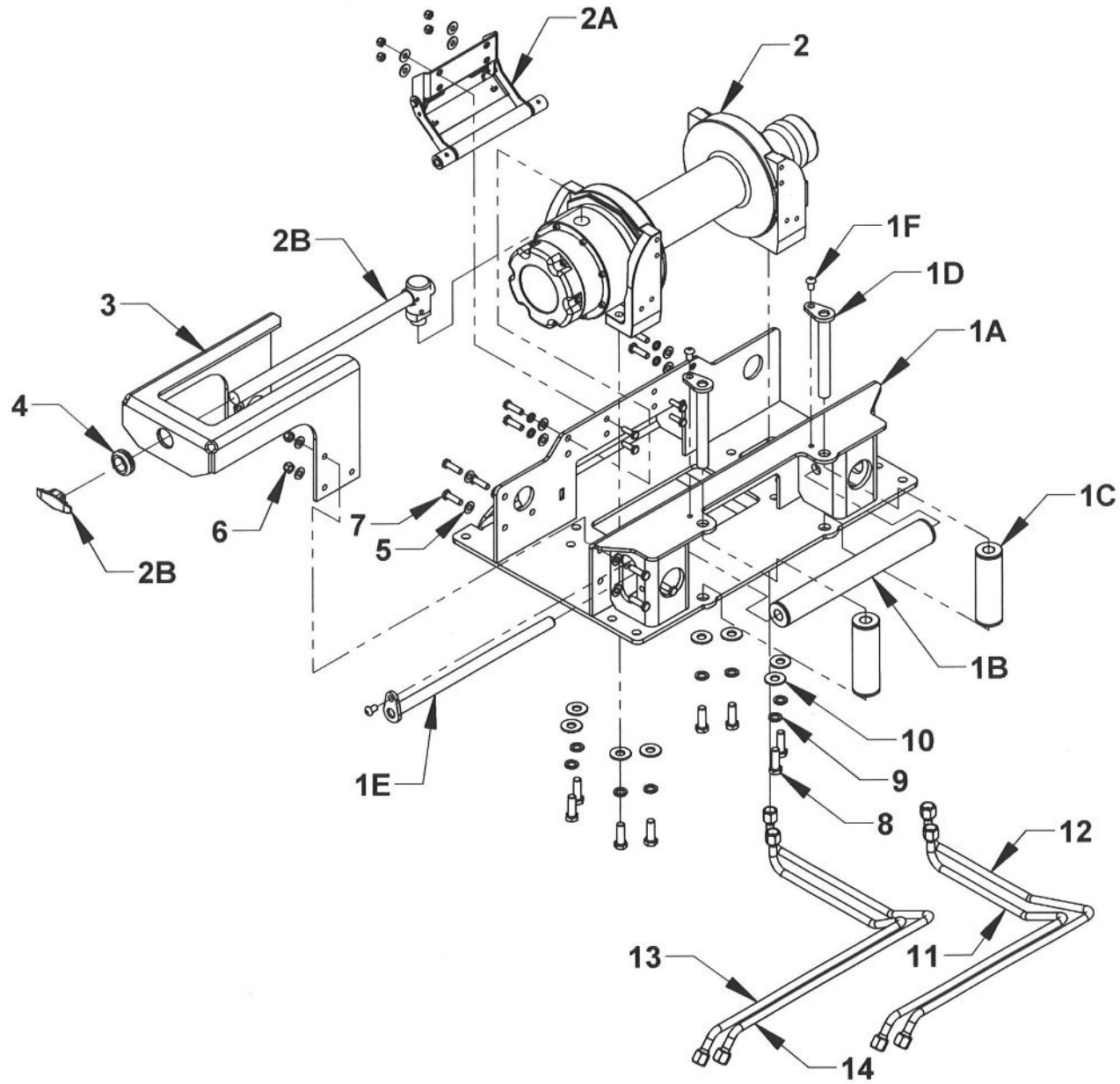


## Section V - PARTS

### RAMSEY WINCH - 0940421-0810AA 8K SIERRA PLANETARY AIR SHIFT

REF. NO.	NO. REQ'D	PART NUMBER	DESCRIPTION
1	1	0320127-0810AM	RAMSEY SIERRA 8K PLANETARY WINCH
2	1	0940422	RAMSEY SIERRA ROLLER GUIDE ASSEMBLY
2A	1	0811127	RAMSEY SIERRA ROLLER GUIDE
2B	2	0809640	ROLLER ASSEMBLY - 1.75 DIAMETER
2C	1	A901520	ROLLER ASSEMBLY - 1.75 DIAMETER
2D	2	0809641	ROLLER GUIDE KEEPER PIN
2E	3	0403161	BOLT 3/8-16 UNC x 5/8 BUTTON HEAD
2F	1	A901525	ROLLER GUIDE KEEPER PIN
3	1	0811128	RAMSEY SIERRA FRONT MTG CHANNEL
4	8	0400491	WASHER 1/2 LOCK
5	5	0400122	BOLT HHCS 3/8-16 UNC x 1-1/4
6	8	0400177	BOLT HHCS 1/2-13 UNC x 1-1/4
7	5	0400392	NYLON LOCK NUT 3/8-16 UNC
8	10	0400480	FLAT WASHER 3/8 SAE ZP
9	1	07005433	RAMSEY SIERRA AIE CYLINDER GUARD
10	1	0752167-RS08	S10 G2 RAMSEY SIERRA 8K FLUID TUBE-SHORT
11	1	0752168-RS08	S10 G2 RAMSEY SIERRA 8K FLUID TUBE-LONG
12	1	0752174-RS08	S12 G2 RAMSEY SIERRA 8K FLUID TUBE-SHORT
13	1	0752175-RS08	S12 G2 RAMSEY SIERRA 8K FLUID TUBE-LONG

**Section V - PARTS**  
**8K COMEUP WINCH - 0940283-0810AM**

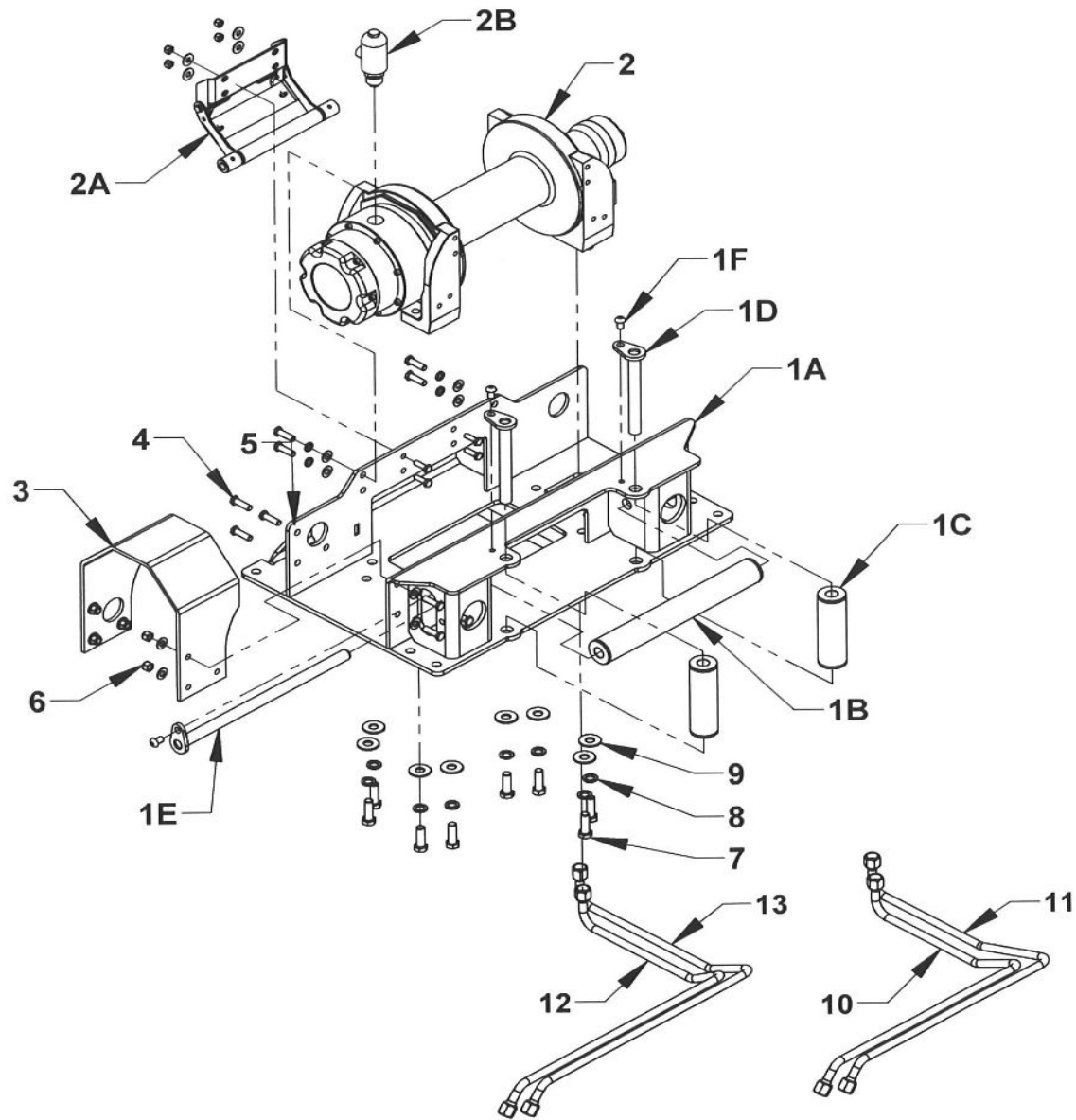


## Section V - PARTS

### 8K COMEUP WINCH - 0940283-0810AM

REF. NO.	NO. REQ'D	PART NUMBER	DESCRIPTION
1	1	0940281	COMEUP 8K-12K WINCH FRAME ASSEMBLY
1A	1	0809713	COMEUP FRAME WELDMENT
1B	1	A901520	ROLLER ASSEMBLY - 1.750 DIAMETER x 13.500
1C	2	0809640	ROLLER ASSEMBLY - 1.750 DIAMETER x 5.625
1D	2	0809641	ROLLER GUIDE KEEPER PIN - 6.348
1E	1	A901525	ROLLER GUIDE KEEPER PIN - 14.535
1F	3	0403161	BOLT, BHCS 3/8-16 UNC x 5/8
2	1	0308986-0810AM	COMEUP 8K WINCH-ROTATION MANUAL SHIFT
		0308986-1210AM	COMEUP 12K WINCH-ROTATION MANUAL SHIFT
		0308986-1510AM	COMEUP 15K WINCH-ROTATION MANUAL SHIFT
2A	1	0320128	COMEUP WINCH TENSIONER
2B	1	032012	COMEUP T-HANDLE CLUTCH - 16
3	1	0751978	COMEUP T-HANDLE SUPPORT BRACKET
4	1	98718	GROMMET 1.00 ID x 0.25 GROOVE
5	12	0400465	FLAT WASHER 3/8
6	6	0400392	NUT NYLOK 3/8-16 UNC
7	6	0400148	BOLT HHCS 3/8-16 UNC x 1-1/2 GR5
8	8	0400181	BOLT HHCS 1/2-13 UNC x 1-1/2 GR5
9	8	0400491	LOCK WASHER 1/2
10	8	0400492	WASHER 1/2
11	1	0752167-C	S10 G2-COMEUP 8K SHORT
12	1	0752168-C	S10 G2-COMEUP 8K LONG
13	1	0751974-C	S12 G2-COMEUP 8K SHORT
14	1	0751975-C	S12 G2-COMEUP 8K LONG

Section V - PARTS  
8K COMEUP WINCH - 0940283-0810AA

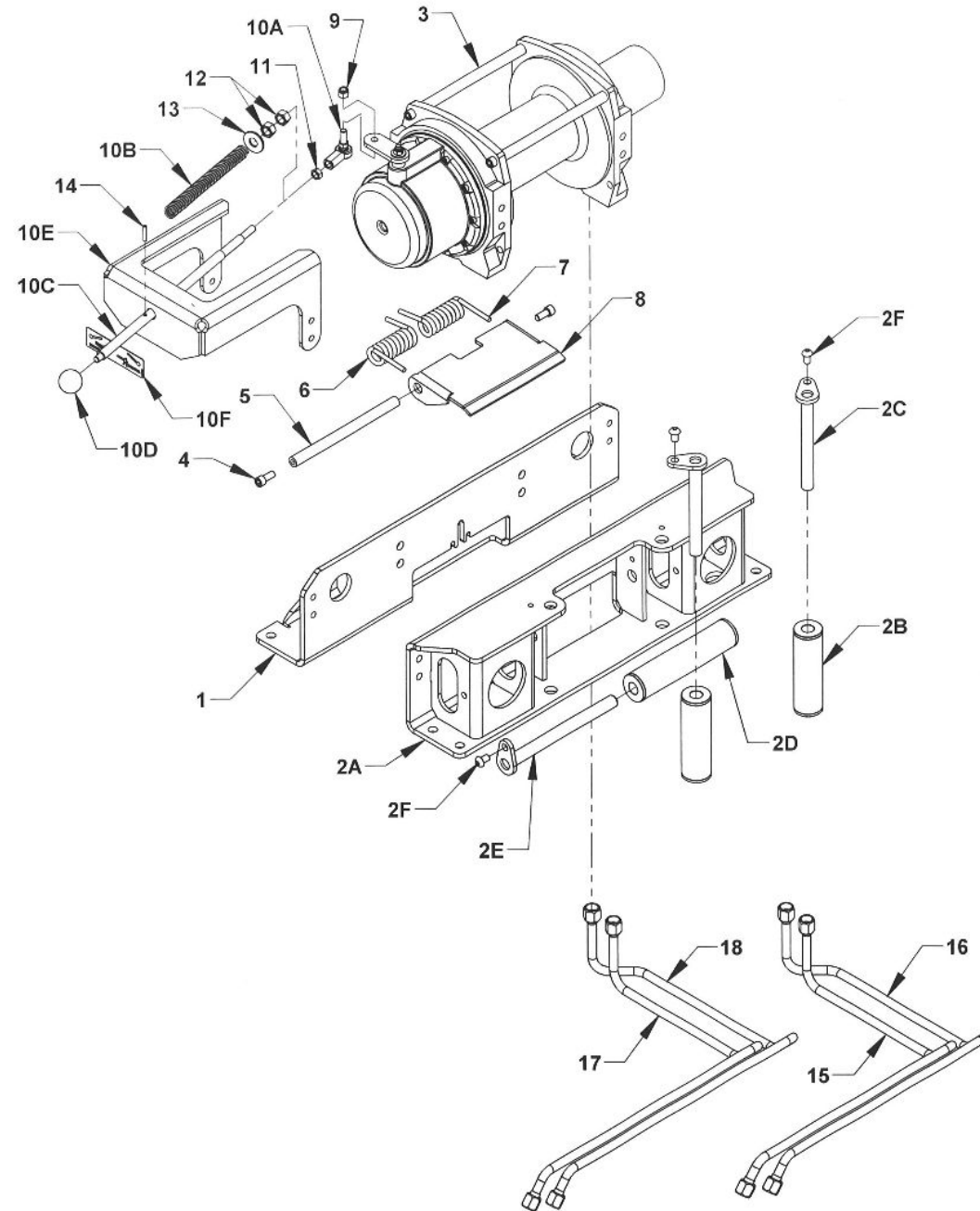


## Section V - PARTS

### 8K COMEUP WINCH - 0940283-0810AA

REF. NO.	NO. REQ'D	PART NUMBER	DESCRIPTION
1	1	0940281	COMEUP 8K-12K WINCH FRAME ASSEMBLY
1A	1	0809713	COMEUP FRAME WELDMENT
1B	1	A901520	ROLLER ASSEMBLY - 1.750 DIAMETER x 13.500
1C	2	0809640	ROLLER ASSEMBLY - 1.750 DIAMETER x 5.625
1D	2	0809641	ROLLER GUIDE KEEPER PIN - 6.348
1E	1	A901525	ROLLER GUIDE KEEPER PIN - 14.535
1F	3	0403161	BOLT, BHCS 3/8-16 UNC x 5/8
2	1	0308986-0810AM	COMEUP 8K WINCH-ROTATION MANUAL SHIFT
		0308986-1210AM	COMEUP 12K WINCH-ROTATION MANUAL SHIFT
		0308986-1510AM	COMEUP 15K WINCH-ROTATION MANUAL SHIFT
2A	1	0320128	COMEUP WINCH TENSIONER
2B	1	0308955	COMEUP FREESPOOL AIR CYLINDER
3	1	0752482	COMEUP AIR CYLINDER GUARD
4	6	0400148	BOLT HHCS 3/8-16 UNC x 1-1/2 GR5
5	12	0400480	FLAT WASHER 3/8
6	6	040392	NUT NYLOK 3/8-16 UNC
7	8	0400181	BOLT HHCS 1/2-13 UNC x 1-1/2 GR5
8	8	0400491	LOCK WASHER 1/2
9	8	0400492	WASHER 1/2
10	1	0752167-C	S10 G2-COMEUP 8K SHORT
11	1	0752168-C	S10 G2-COMEUP 8K LONG
12	1	0751974-C	S12 G2-COMEUP 8K SHORT
13	1	0751975-C	S12 G2-COMEUP 8K LONG

**Section V - PARTS**  
**WARN WINCH - MANUAL FREE SPOOL**



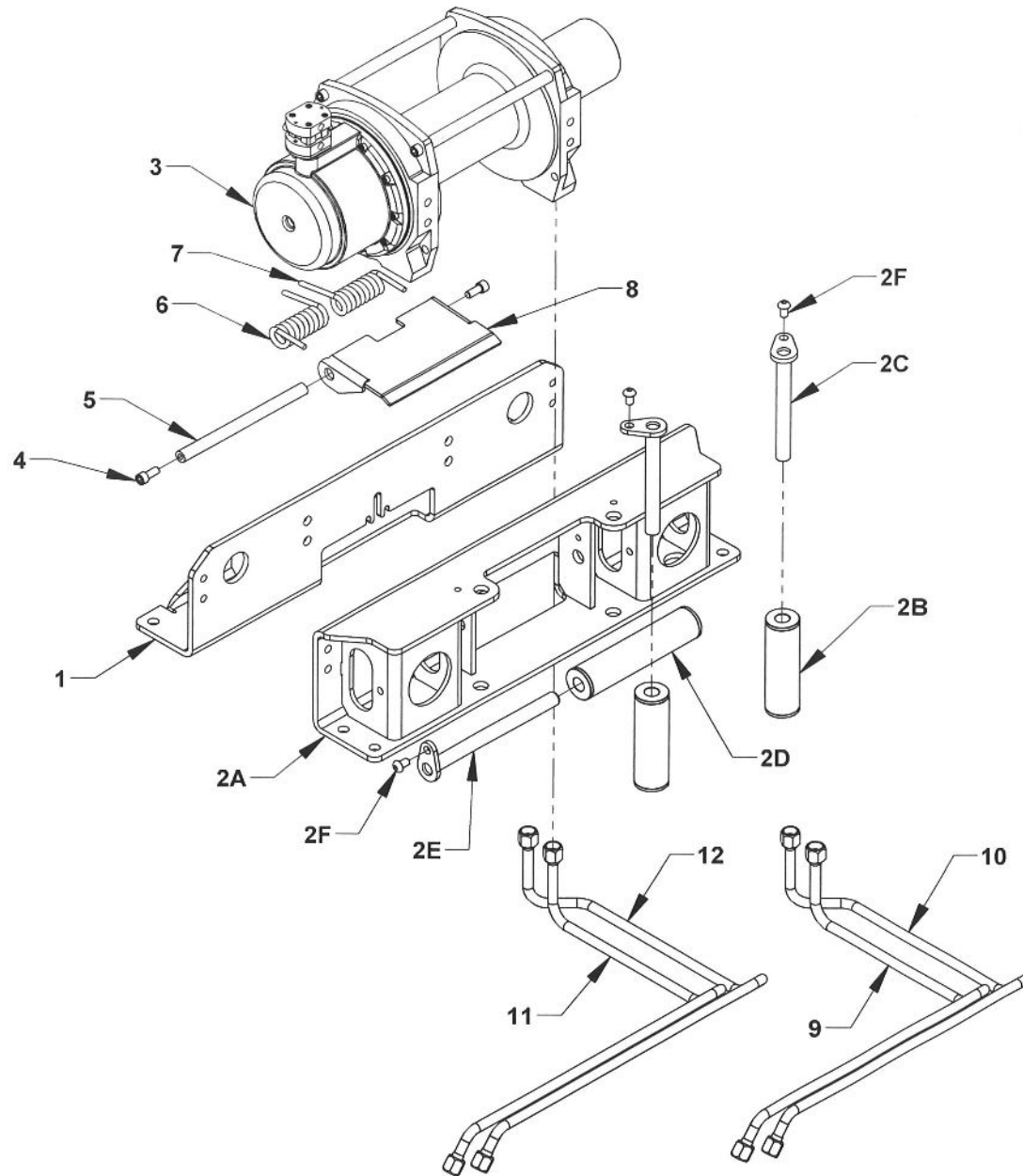
## Section V - PARTS

### WARN WINCH - MANUAL FREE SPOOL

REF. NO.	NO. REQ'D	PART NUMBER	DESCRIPTION
1	1	0809644	MTG FRAME WELDMENT - FRONT
2	1	0940240	WARN MTG FRAME REAR ASSEMBLY
2A	1	0809639	MTG FRAME WLDMNT - ROLLER GUIDE REAR
2B	2	0809640	ROLLER GUIDE BUSHING 1.75 x 5.625
2C	2	0809641	ROLLER GUIDE KEEPER PIN
2D	1	A9R281	ROLLER GUIDE BUSHING 1.75 x 7.875
2E	1	A902095	ROLLER GUIDE KEEPER PIN
2F	3	0403161	BOLT, BHCS 3/8-16 UNC x 5/8
3	1	0308936-0908AM	WINCH 9K, 8 IN. DRUM MANUAL SHIFT
		0308936-1208AM	WINCH 12K, 8 IN. DRUM MANUAL SHIFT
		0308936-1508AM	WINCH 15K, 8 IN. DRUM MANUAL SHIFT
4	2	0403109	BOLT, SHCS 3/8-16 UNC x 7/8
5	1	0751337	TENSION PLATE PIVOT ROD
6	1	0308935R	TENSION SPRING
7	1	0308935L	TENSION SPRING
8	1	0751268	TENSION PLATE
9	1	0400392	NYLON LOCK NUT 3/8-16 UNC
10	1	0940252	CLUTCH CONTROL ASSEMBLY WARN WINCH
10A	1	718732	ROD END BEARING
10B	1	71875	WINCH SPRING
10C	1	71873	WINCH CLUTCH ROD
10D	1	718731	WINCH CLUTCH ROD KNOB
10E	1	0751267	WINCH-MANUAL FREE SPOOL BRACKET
10F	1	0540017	FREE SPOOL DECAL WARN WINCH
11	1	0402122	HEX NUT 3/8-16 UNC, SS
12	2	0400407	HEX NUT 1/2-13 UNC
13	1	0400492	FLAT WASHER 1/2
14	1	0400559	SPLIT PIN 3/16 x 1
15	1	0752167-W	S10 G2 WARN FLUID TUBE-SHORT
16	1	0752168-W	S10 G2 WARN FLUID TUBE-LONG
17	1	0751974-W	S12 G2 WARN FLUID TUBE-SHORT
18	1	0751975-W	S12 G2 WARN FLUID TUBE-LONG



Section V - PARTS  
WARN WINCH - AIR FREE SPOOL



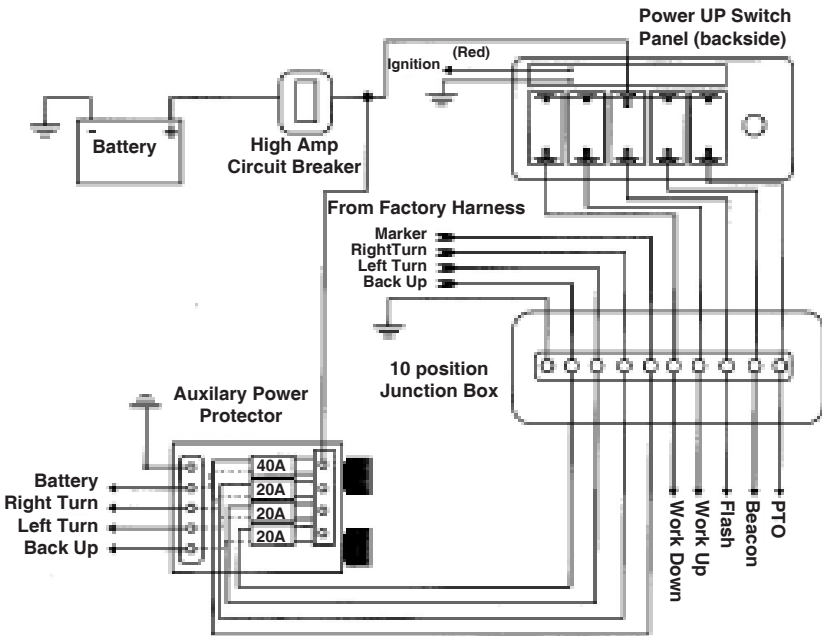
## Section V - PARTS

### WARN WINCH - AIR FREE SPOOL

REF. NO.	NO. REQ'D	PART NUMBER	DESCRIPTION
1	1	0809644	MTG FRAME WELDMENT - FRONT
2	1	0940240	WARN MTG FRAME REAR ASSEMBLY
2A	1	0809639	MTG FRAME WLDMNT - ROLLER GUIDE REAR
2B	2	0809640	ROLLER GUIDE BUSHING 1.75 x 5.625
2C	2	0809641	ROLLER GUIDE KEEPER PIN
2D	1	A9R281	ROLLER GUIDE BUSHING 1.75 x 7.875
2E	1	A902095	ROLLER GUIDE KEEPER PIN
2F	3	0403161	BOLT, BHCS 3/8-16 UNC x 5/8
3	1	0308936-0908AA	WINCH 9K, 8 IN. DRUM AIR SHIFT
	1	0308936-1208AA	WINCH 12K, 8 IN. DRUM AIR SHIFT
	1	0308936-1508AA	WINCH 15K, 8 IN. DRUM AIR SHIFT
4	2	0403109	BOLT, SHCS 3/8-16 UNC x 7/8
5	1	0751337	TENSION PLATE PIVOT ROD
6	1	0308935R	TENSION SPRING
7	1	0308935L	TENSION SPRING
8	1	0751268	TENSION PLATES
9	1	0752167-W	S10 G2 WARN FLUID TUBE-SHORT
10	1	0752168-W	S10 G2 WARN FLUID TUBE-LONG
11	1	0751974-W	S12 G2 WARN FLUID TUBE-SHORT
12	1	0751975-W	S12 G2 WARN FLUID TUBE-LONG

# Section V - PARTS

## OPTIONAL DASHBOARD PANEL

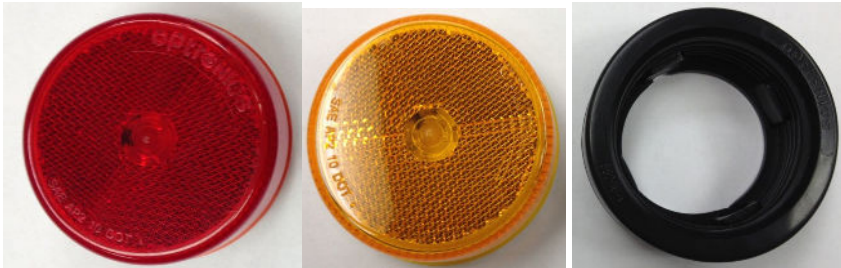


## Section V - PARTS

### LIGHT KIT



REF. NO.	PART NUMBER	DESCRIPTION
1	0311498	LIGHT 6" OVAL RED LED - STOP/TURN
2	0311500	LIGHT 6" OVAL REVERSE LED
3	3011503	LIGHT 6" GROMMET



REF. NO.	PART NUMBER	DESCRIPTION
1	0311512	LIGHT 2.5" RED REFLEX LED (MCL59RB)
2	0311513	LIGHT 2.5" AMBER REFLEX LED (MCL59AB)
3	0311516	LIGHT 2.5" GROMMET

## Section V - PARTS

### LIGHT KIT



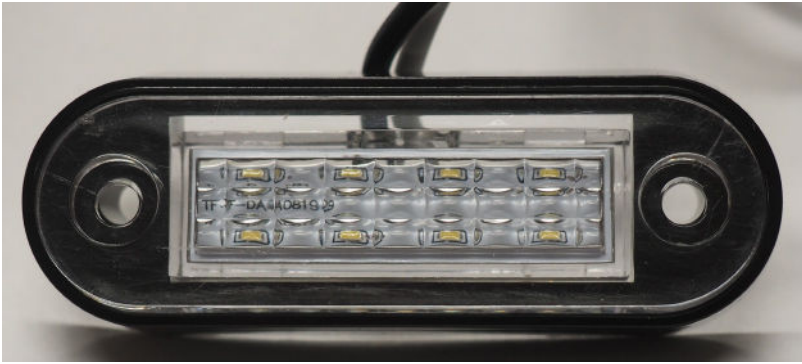
REF. NO.	PART NUMBER	DESCRIPTION
1	0311514	LIGHT 2.5" ROUND CLEAR/RED LED MARKER LIGHT
2	0311515	LIGHT 2.5" ROUND CLEAR/AMBER LED MARKER LIGHT
3	3011516	LIGHT 2.5" GROMMET



REF. NO.	PART NUMBER	DESCRIPTION
1	0320162	6 IN. CONTROL STATION LED LIGHT

## Section V - PARTS

### LIGHT KIT & PRESSURE GAUGE



REF. NO.	PART NUMBER	DESCRIPTION
1	0320161	3 IN. CONTROL STATION LED LIGHT



REF. NO.	PART NUMBER	DESCRIPTION
1	0320157	2 IN. HYDRAULIC PRESSURE GAUGE

## Section V - PARTS

### LIGHT KIT



REF. NO.	PART NUMBER	DESCRIPTION
1	0311519	RED 3/4 LED ICC LIGHT



REF. NO.	PART NUMBER	DESCRIPTION
1	0311520	RED 3/4 LED LIGHT

## Section V - PARTS

### LIGHT KIT



REF. NO.	PART NUMBER	DESCRIPTION
1	0311521	AMBER 3/4 ROUND LED LIGHT



REF. NO.	PART NUMBER	DESCRIPTION
1	0311522	CLEAR/RED 3/4 ROUND LED LIGHT



REF. NO.	PART NUMBER	DESCRIPTION
1	0311523	CLEAR/AMBER 3/4 ROUND LED LIGHT



## Section V - PARTS

### LIGHT KIT



REF. NO.	PART NUMBER	DESCRIPTION
1	0308359	MARKER LIGHT RED REFLEX LED



REF. NO.	PART NUMBER	DESCRIPTION
1	0308360	MARKER LIGHT AMBER REFLEX LED

## Section V - PARTS

### LIGHT KIT



REF. NO.	PART NUMBER	DESCRIPTION
1	0312578	MILLENNIUM MARKER LIGHT CLEAR/AMBER



REF. NO.	PART NUMBER	DESCRIPTION
1	0312579	MILLENNIUM MARKER LIGHT CLEAR/RED

# Section V - PARTS

## LIGHT KIT



REF. NO.	PART NUMBER	DESCRIPTION
1	0308491	REFLECTOR - AMBER



REF. NO.	PART NUMBER	DESCRIPTION
1	0308490	REFLECTOR - RED

**Section V - PARTS**

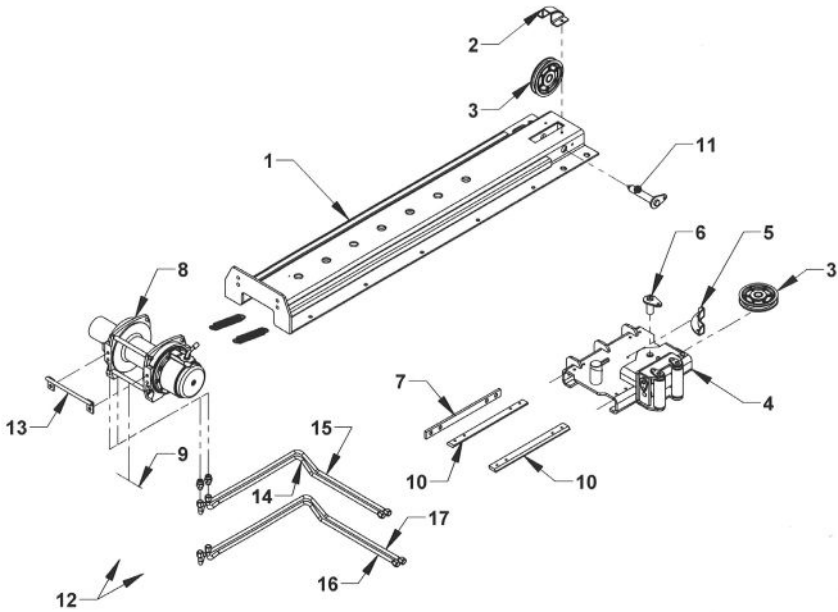
**LIGHT KIT**



REF. NO.	PART NUMBER	DESCRIPTION
1	0311510	RECTANGULAR REFLEX BACK UP
1	0311511	RECTANGULAR REFLEX BACK UP GROMMET

## Section V - PARTS

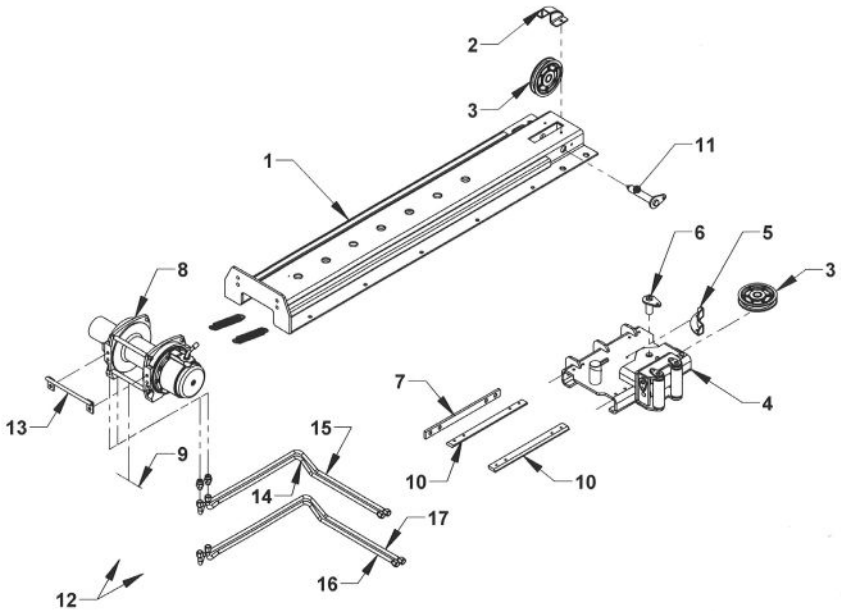
### MANUAL SLIDEWINDER (SHORT TRACK)



REF. NO.	NO. REQ'D	PART NUMBER	DESCRIPTION
1	1	315210	SLIDE TRACK - SHORT
2	1	315225	CABLE GUIDE
3	2	69125	6 x 1 PULLEY
4	1	315310	SLIDE CARRIAGE
5	1	315325	CABLE GUIDE
6	1	315330	PULLEY PIN
7	1	315323	FRONT SLIDE PAD
8L	1	711096	SERIES 9 WINCH - 6.5 INCH DRUM
8R	1	711126	SERIES 12 WINCH - 6.5 INCH DRUM
9	1	A90065	CABLE TENSIONER PLATE
10	2	315320	SLIDE PAD
11	1	315230	PULLEY PIN
12	2	A9018S	TENSION SPRING 40 LB/INCH
13	1	7189065	AIR LINE TRANSFER BRACKET
14	1	383SW0940	ST SLIDEWINDER FLUID TUBE-SHORT
15	1	383SW0944	ST SLIDEWINDER FLUID TUBE-LONG
16	1	07005355	G2 SHORT TRACK SLIDEWINDER FLUID TUBE-SHORT
17	1	07005366	G2 SHORT TRACK SLIDEWINDER FLUID TUBE-LONG

## Section V - PARTS

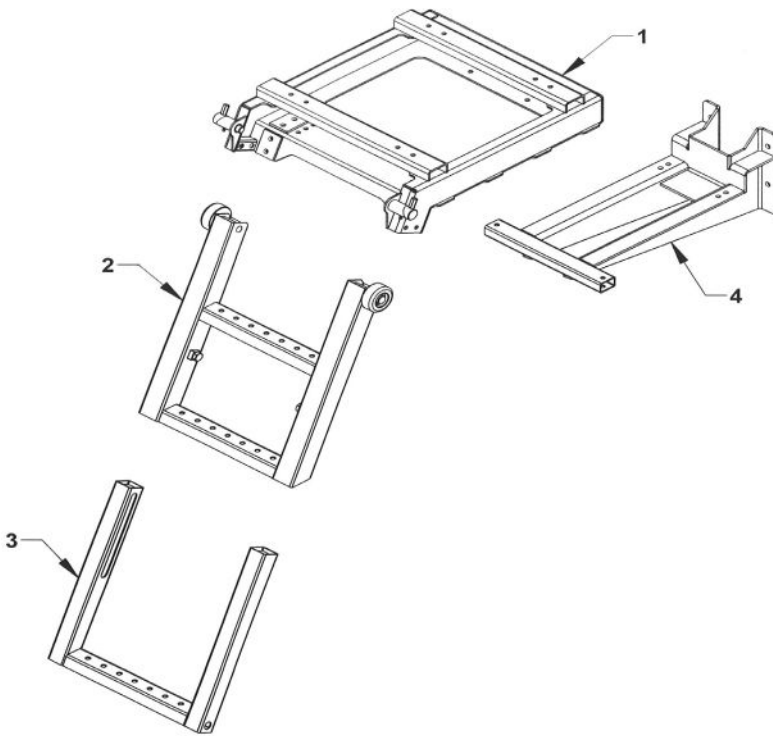
### MANUAL SLIDEWINDER (LONG TRACK)



REF. NO.	NO. REQ'D	PART NUMBER	DESCRIPTION
1	1	315210	SLIDE TRACK - SHORT
2	1	315225	CABLE GUIDE
3	2	69125	6 x 1 PULLEY
4	1	315310	SLIDE CARRIAGE
5	1	315325	CABLE GUIDE
6	1	315330	PULLEY PIN
7	1	315323	FRONT SLIDE PAD
8	1	711096	SERIES 9 WINCH - 6.5 INCH DRUM
9	1	711126	SERIES 12 WINCH - 6.5 INCH DRUM
9	1	A90065	CABLE TENSIONER PLATE
10	2	315320	SLIDE PAD
11	1	315230	PULLEY PIN
12	2	A9018S	TENSION SPRING 40 LB/INCH
13	1	7189065	AIR LINE TRANSFER BRACKET
14	1	383SW0940	ST SLIDEWINDER FLUID TUBE-SHORT
15	1	383SW0944	ST SLIDEWINDER FLUID TUBE-LONG
16	1	07005355	G2 SHORT TRACK SLIDEWINDER FLUID TUBE-SHORT
17	1	07005366	G2 SHORT TRACK SLIDEWINDER FLUID TUBE-LONG

## Section V - PARTS

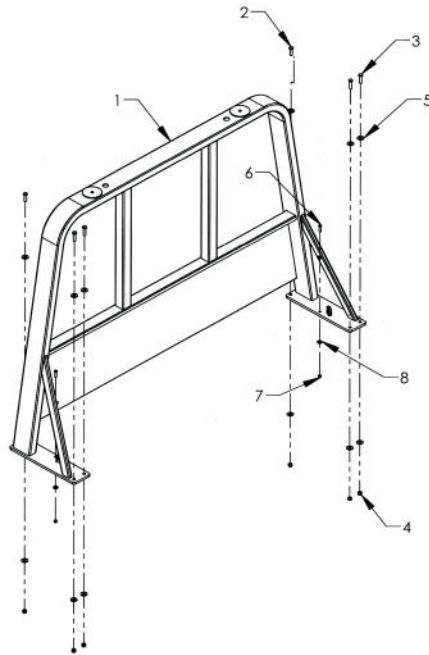
### LCG RETRACTABLE LADDER



REF	PART #	DESCRIPTION	QPU
1	391000	LADDER ASSEMBLY	1
2	391010	LADDER CARRIAGE	1
2	391020	UPPER RUNG ASSEMBLY	1
3	391030	LOWER RUNG ASSEMBLY	1
4	391050	FRAME MOUNTING BRACKET - OPTIONAL	1

## Section V - PARTS

### BED MOUNTED CAB PROTECTOR

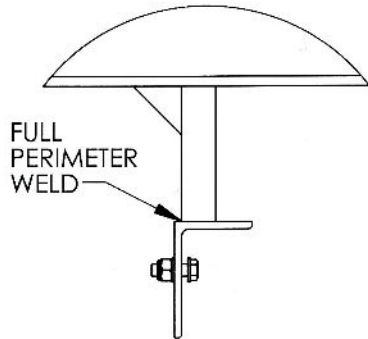
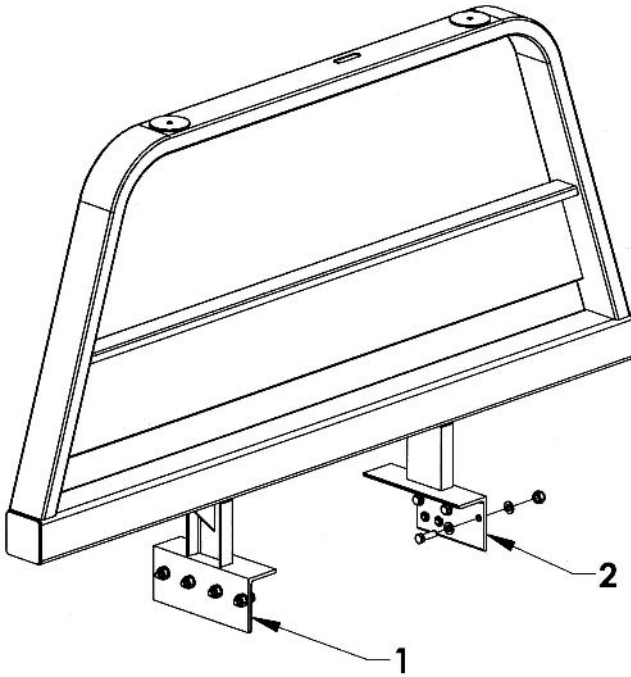


REF. NO.	NO. REQ'D	PART NUMBER	DESCRIPTION
1	1	0809558-38	2 x 5 PERIMETER TUBE CAB PROTECTOR - 38"
		0809558-42	2 x 5 PERIMETER TUBE CAB PROTECTOR - 42"
		0809558-45	2 x 5 PERIMETER TUBE CAB PROTECTOR - 45"
		0809558-48	2 x 5 PERIMETER TUBE CAB PROTECTOR - 48"
		0809558-50	2 x 5 PERIMETER TUBE CAB PROTECTOR - 50"
		0809558-52	2 x 5 PERIMETER TUBE CAB PROTECTOR - 52"
		0809558-54	2 x 5 PERIMETER TUBE CAB PROTECTOR - 54"
		0809558-57	2 x 5 PERIMETER TUBE CAB PROTECTOR - 57"
		0809558-60	2 x 5 PERIMETER TUBE CAB PROTECTOR - 60"
0809558-64	2 x 5 PERIMETER TUBE CAB PROTECTOR - 64"		
2	2	0400211	1/2 -13 x 1-3/4 HHCS GR 5 Z
3	4	0400188	1/2 -13 x 2 HHCS
4	6	0400408	1/2 -13 NYLON LOCK NUT ZINC
5	12	0400492	1/2 USS FLAT WASHER ZINC
6	2	0400132	3/8 -16 x 1-1/2 HHCS GR 5 Z
7	2	0400392	3/8 -16 NYLON LOCK NUT ZINC
8	4	0400480	3/8 - USS FLAT WASHER ZINC



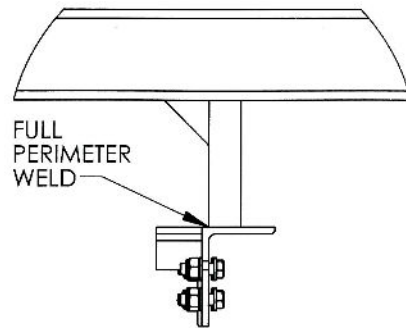
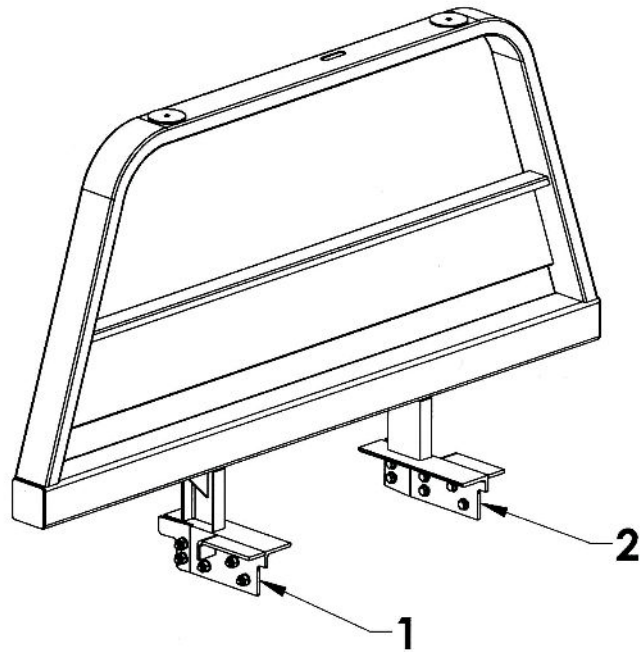
# Section V-PARTS

## 2013 FORD FRAME MOUNTED PYLON BRACKETS



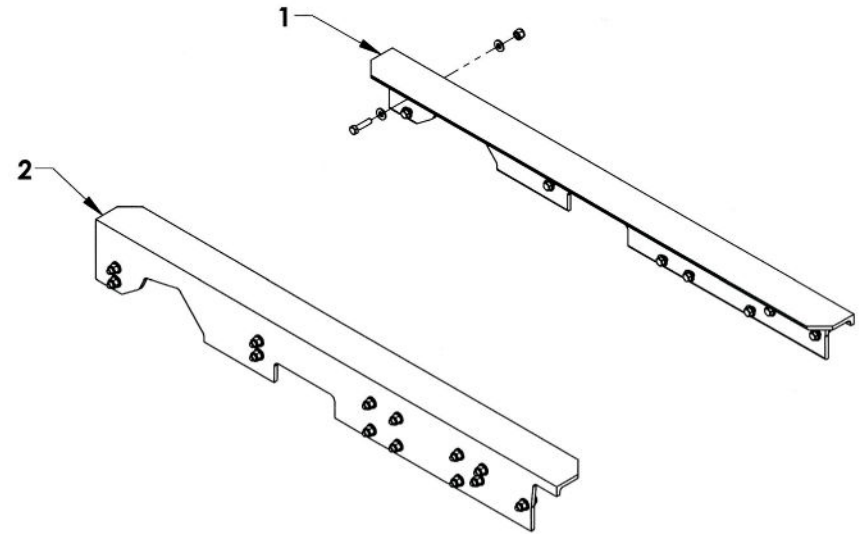
REF	PART #	DESCRIPTION	QPU
1	0752169L	FORD F550 FMP MOUNTING ANGLE - LEFT	1
2	0752169R	FORD F550 FMP MOUNTING ANGLE - RIGHT	1
-	0940177	BOLT KIT, 2013 DODGE FMP MOUNTING ANGLE	1

**Section V-PARTS**  
**2013 DODGE FRAME MOUNTED**  
**PYLON BRACKETS**



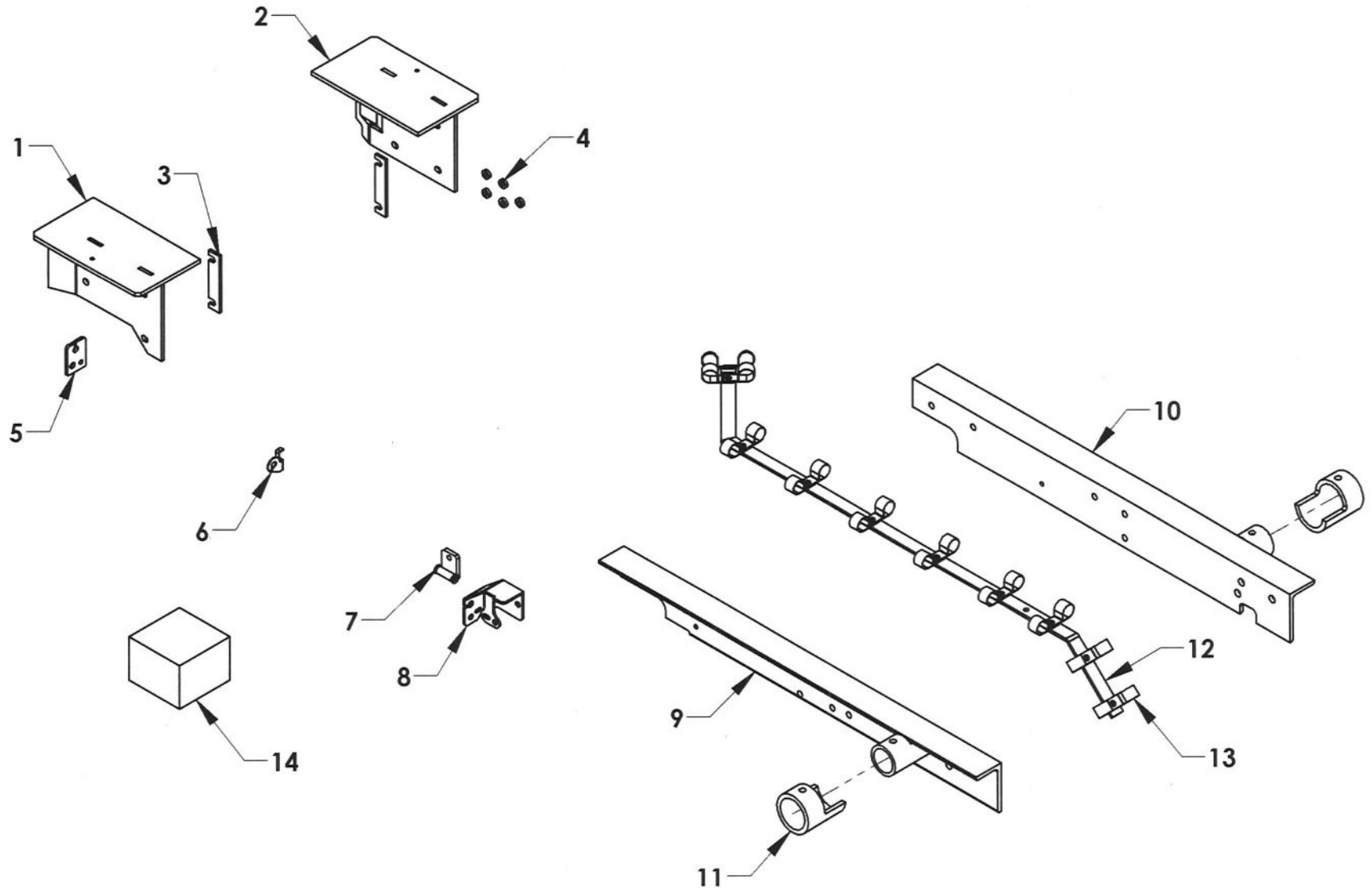
REF	PART #	DESCRIPTION	QPU
1	0811135L	DODGE FMP/BED LOCK MOUNTING ANGLE - LEFT	1
2	0811135R	DODGE FMP/BED LOCK MOUNTING ANGLE - RIGHT	1
-	0940177	BOLT KIT, 2013 DODGE FMP MOUNTING ANGLE	1

**Section V - PARTS**  
**2015 DODGE FRAME REINFORCEMENTS**



REF	PART #	DESCRIPTION	QPU
1	0751990L	2015 DODGE FRAME REINFORCEMENT - LEFT	1
2	0751990R	2015 DODGE FRAME REINFORCEMENT - RIGHT	1
-	0940178	BOLT KIT, 2011 DODGE FRAME REINFORCEMENT	1

Section V - PARTS  
2017 FORD FRAME  
PRE-INSTALLATION KIT - 09003731



## Section V - PARTS

### 2017 FORD FRAME

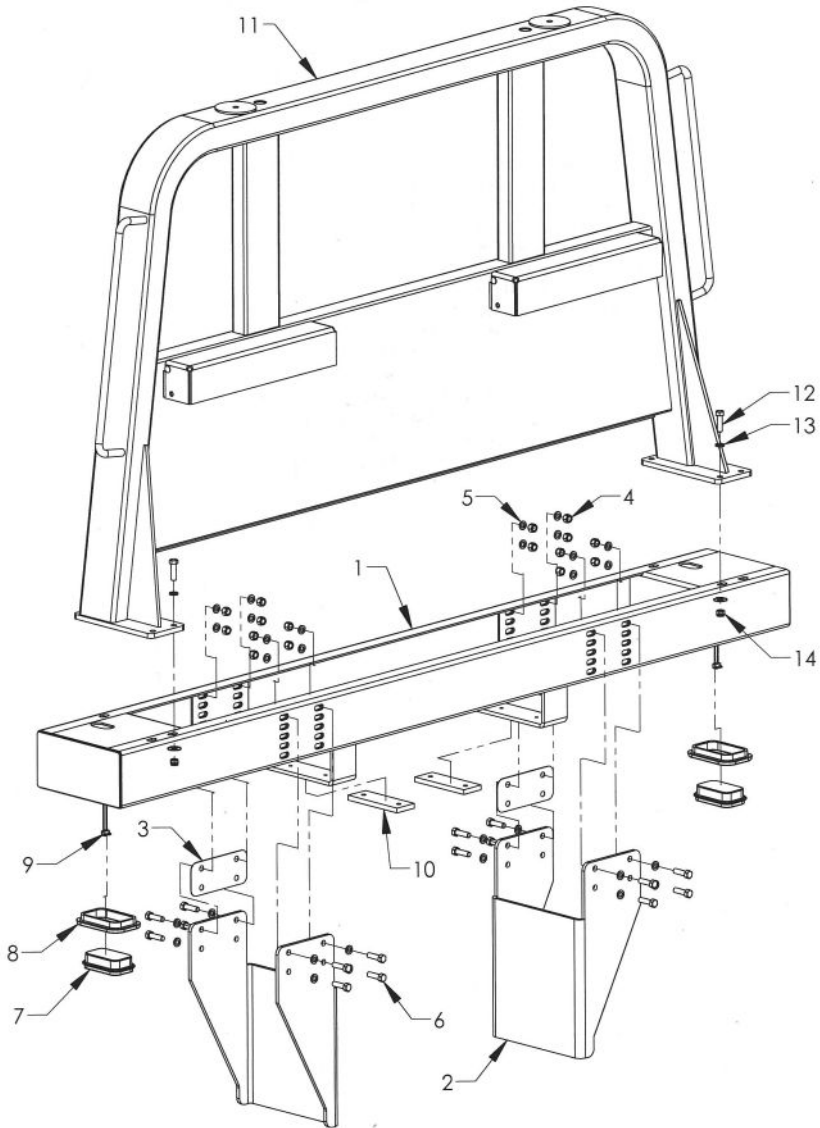
### PRE-INSTALLATION KIT - 09003731

REF	QTY	PART #	DESCRIPTION
1	1	0800309L	2017 F550 FMP BED LOCK MOUNT - LEFT
2	1	0800309R	2017 F550 FMP BED LOCK MOUNT - RIGHT
3	2	07005230	2017 F550 INSIDE FRAME SLOTTED PLATE
4	5	070054130	DEF TANK SPACER WASHER - F550
5	1	07005357	2017 F550 FRONT E-BRAKE CABLE BRACKET
6	1	07005129	2017 F550 E-BRAKE CABLE BRACKET
7	1	0811153	EMERGENCY BRAKE CABLE GUIDE
8	1	08003249	2017 F550 REAR E-BRAKE CABLE BRACKET
9	1	08003287L	2017 F550 FRAME REINFORCEMENT ANGLE - LEFT
10	1	08003287R	2017 F550 FRAME REINFORCEMENT ANGLE- RIGHT
11	2	0720391N	HELPER SPRING BUSHING - OUTER
12	1	08003307	2017 F550 PRESSURE HOSE SUPPORT BAR
13	20	0308853	1-1/4 VINYL COATED CLAMP
14	1	09003769	BOLT KIT 2017 FORD FRAME REINFORCEMENT

# Section V-PARTS

## FRAME MOUNTED PYLON - 0940456-096

### CONVENTIONAL BASE ASSEMBLY



GRAB HANDLES AND CHAIN HANGERS ARE OPTIONAL PYLON EQUIPMENT

## Section V - PARTS

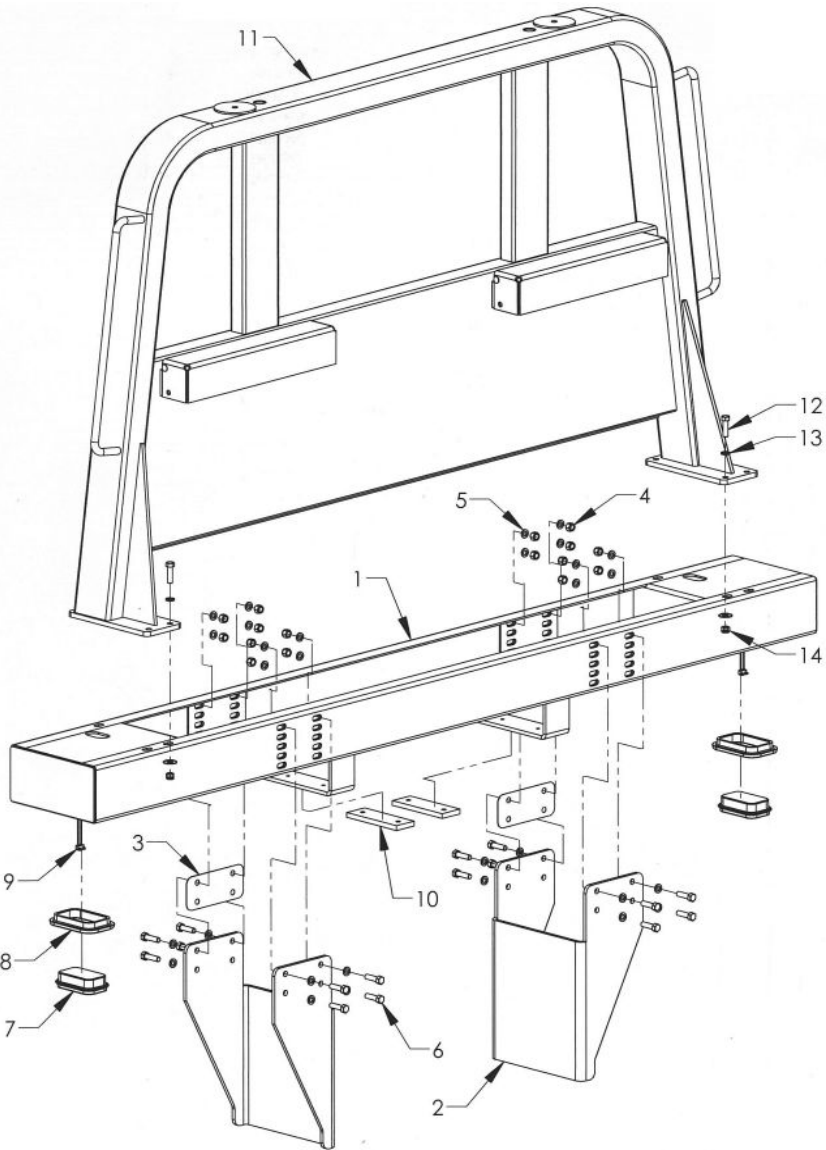
### FRAME MOUNTED PYLON - 0940456-096

REF. NO.	NO. REQ'D	PART NUMBER	DESCRIPTION
1	1	0811196-096	FMP CONVENTIONAL CHAIN TRAY BASE - 096
2	2	0752750	PYLON MTG BRACKET, FMP CONV
3	2	0752730	SHIM, 16 GAGE, FMP BASE
4	16	0400408	NYLON LOCK NUT 1/2-13 UNC
5	32	0403040	FLAT WASHER 1/2 SAE ZP
6	16	0403058	BOLT HHCS 1/2-13 x 1-3/4 GR8 PLAIN
7	2	0311511	CARRIER TAIL LIGHT GROMMET
8	2	0311509	LIGHT RECT REVERSE LED
9	2	0311506	LIGHT PIGTAIL 2 PRONG 18 IN. LEAD
10	2	354614-050	FMP 1/2 IN. SPACER SERIES 16 CONV
		354614-100	FMP 1 IN. SPACER SERIES 20 CONV
		354614-200	FMP 2 IN. SPACER SERIES 20 CONV WOOD
		354614-175	FMP 1-3/4 IN. SPACER SERIES 30 CONV
		354614-100/175	FMP 2-3/4 IN. SPACER SERIES 30 CONV WOOD
11	1	0811185-48	FMP 12 PYLON-48
		0811185-50	FMP 12 PYLON-50
		0811185-52	FMP 12 PYLON-52
		0811185-56	FMP 12 PYLON-56
		0811185-60	FMP 12 PYLON-60
		0811185-63	FMP 12 PYLON-63
		0811185-68	FMP 12 PYLON-68
12	6	0403058	BOLT HHCS 1/2-13 x 1-3/4 GR8 PLAIN
13	12	0403040	FLAT WASHER 12 SAE ZP
14	6	0400408	NYLON LOCK NUT 1/2-13 UNC

# Section V-PARTS

## FRAME MOUNTED PYLON - 0940456-102

### CONVENTIONAL BASE ASSEMBLY



GRAB HANDLES AND CHAIN HANGERS ARE OPTIONAL PYLON EQUIPMENT

## Section V - PARTS

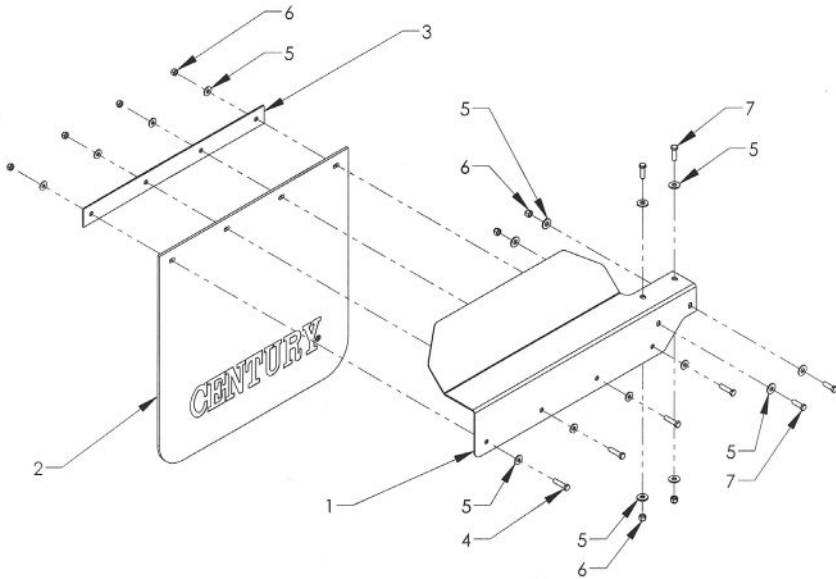
### FRAME MOUNTED PYLON - 0940456-102

REF. NO.	NO. REQ'D	PART NUMBER	DESCRIPTION
1	1	0811196-102	FMP CONVENTIONAL CHAIN TRAY BASE - 102
2	2	0752750	PYLON MTG BRACKET, FMP CONV
3	2	0752730	SHIM, 16 GAGE, FMP BASE
4	16	0400408	NYLON LOCK NUT 1/2-13 UNC
5	32	0403040	FLAT WASHER 1/2 SAE ZP
6	16	0403058	BOLT HHCS 1/2-13 x 1-3/4 GR8 PLAIN
7	2	0311511	CARRIER TAIL LIGHT GROMMET
8	2	0311509	LIGHT RECT REVERSE LED
9	2	0311506	LIGHT PIGTAIL 2 PRONG 18 IN. LEAD
10	2	354614-050	FMP 1/2 IN. SPACER SERIES 16 CONV
		354614-100	FMP 1 IN. SPACER SERIES 20 CONV
		354614-200	FMP 2 IN. SPACER SERIES 20 CONV WOOD
		354614-175	FMP 1-3/4 IN. SPACER SERIES 30 CONV
		354614-100/175	FMP 2-3/4 IN. SPACER SERIES 30 CONV WOOD
11	1	0811185-48	FMP 12 PYLON-48
		0811185-50	FMP 12 PYLON-50
		0811185-52	FMP 12 PYLON-52
		0811185-56	FMP 12 PYLON-56
		0811185-60	FMP 12 PYLON-60
		0811185-63	FMP 12 PYLON-63
		0811185-68	FMP 12 PYLON-68
12	6	0403058	BOLT HHCS 1/2-13 x 1-3/4 GR8 PLAIN
13	12	0403040	FLAT WASHER 12 SAE ZP
14	6	0400408	NYLON LOCK NUT 1/2-13 UNC



## Section V - PARTS

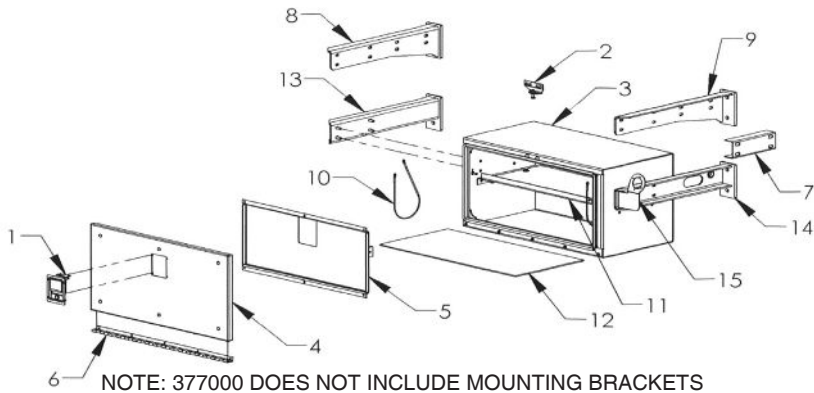
### MUDFLAP COMPONENTS



REF	PART #	DESCRIPTION	QPU
1	0751024L	MUDFLAP MOUNTING BRACKET (LH)	1
	0751024R	MUDFLAP MOUNTING BRACKET (RH)	1
2	0308419	MUDFLAP 24 x 24	1
3	0750340	MUDFLAP SUPPORT BAR	1
4	0400132	BOLT HHCS 3/8-16 UNC x 1-1/2	4
5	0400480	3/8 FLAT WASHER	16
6	0400392	3/8-16 NYLON LOCK NUT	8
7	0400122	BOLT HHCS 3/8-16 UNC x 1-1/4	4

## Section V - PARTS

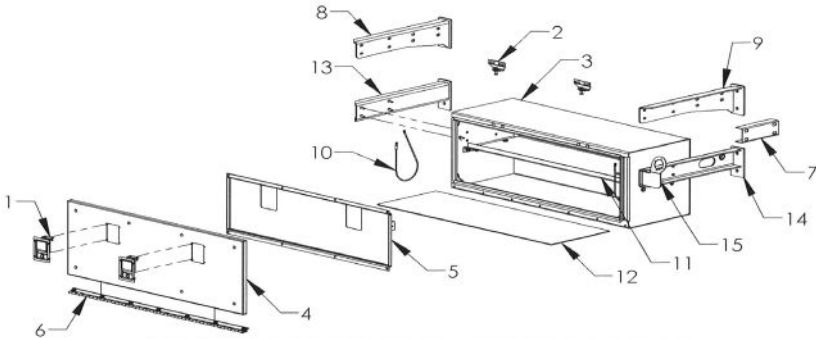
### 33" ALUMINUM SERIES 10 TOOLBOX - 377000 TOOLBOX/FUEL FILL MOUNTING BRACKETS



REF	QTY	PART #	DESCRIPTION
1	1	54658	ROTARY PADDLE LATCH
	1	54657	GASKET FOR PADDLE LATCH
	4	81111	#8-32 X 1/2 STAINLESS ONE WAY SCREW
	4	83111	#8-32 STAINLESS KEPT NUT
2	1	376182	STRIKER PIN MOUNTING PLATE
	1	54659	STRIKER PIN
	2	81115	STAINLESS CARRIAGE BOLT 5/16-18 x 3/4
	4	82110	FLAT WASHER 5/16
	2	82130	LOCK WASHER 5/16
	2	83110	NUT 5/16-18
	1	83125	NYLON LOCK NUT 5/16-18
3	1	377100W	BOX WELDMENT
4	1	37740	DOOR ASSEMBLY
	1	37741	DOOR WELDMENT
	6	81100	STAINLESS CARRIAGE BOLT 1/4-20 x 3/4
	6	83105	NYLON LOCK NUT 1/4-20
5	1	37744	DOOR REINFORCEMENT
6	1	37735	HINGE
	2	811014	SS SOCKET BUTTON HEAD BOLT 1/4-20 x 7/8
	3	811012	SS SOCKET BUTTON HEAD BOLT 1/4-20 x 3/4
	5	811010	SS SOCKET BUTTON HEAD BOLT 1/4-20 x 5/8
	10	83105	NYLON LOCK NUT 1/4-20
7	1	37760	TANDEM BOX SPACER CHANNEL (OPTIONAL)
8	1	37855L	TANK AND TOOLBOX MT BRACKET-LEFT
9	1	37855R	TANK AND TOOLBOX MT BRACKET-RIGHT
10	2	5A221	LANYARD-21 INCH
11	1	37770	SHELF
12	1	03002300	TOOL BOX MAT 33"
13	1	0811136L	FORD/DODGE TOOLBOX MTG BRKT - LH
14	1	0811136R	FORD/DODGE TOOLBOX MTG BRKT - RH
15	1	0752566	DODGE FUEL FILLER MTG PLATE
	1	0752566F	FORD FUEL FILLER MTG PLATE

## Section V - PARTS

### 49" ALUMINUM SERIES 10 TOOLBOX - 378000 TOOLBOX/FUEL FILL MOUNTING BRACKETS

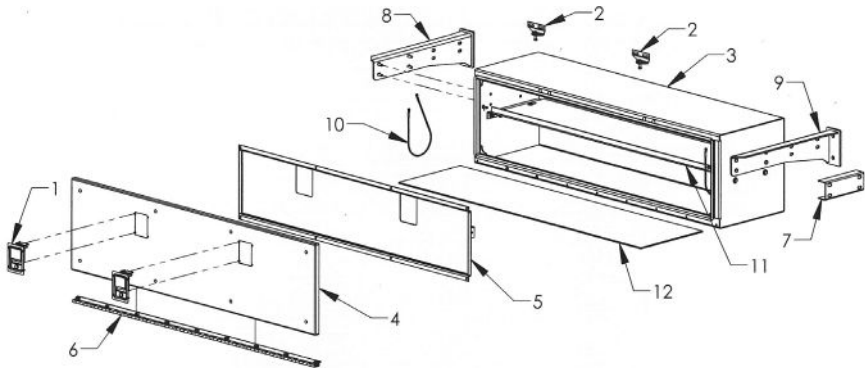


NOTE: 378000 DOES NOT INCLUDE MOUNTING BRACKETS

REF	QTY	PART #	DESCRIPTION
1	1	54658	ROTARY PADDLE LATCH
	1	54657	GASKET FOR PADDLE LATCH
	4	81111	#8-32 X 1/2 STAINLESS ONE WAY SCREW
	4	83111	#8-32 STAINLESS KEPT NUT
2	1	376182	STRIKER PIN MOUNTING PLATE
	1	54659	STRIKER PIN
	2	81115	STAINLESS CARRIAGE BOLT 5/16-18 x 3/4
	4	82110	FLAT WASHER 5/16
	2	82130	LOCK WASHER 5/16
	2	83110	NUT 5/16-18
	1	83125	NYLON LOCK NUT 5/16-18
3	1	377100W	BOX WELDMENT
4	1	37740	DOOR ASSEMBLY
	1	37741	DOOR WELDMENT
	6	81100	STAINLESS CARRIAGE BOLT 1/4-20 x 3/4
	6	83105	NYLON LOCK NUT 1/4-20
5	1	37744	DOOR REINFORCEMENT
6	1	37735	HINGE
	2	811014	SS SOCKET BUTTON HEAD BOLT 1/4-20 x 7/8
	3	811012	SS SOCKET BUTTON HEAD BOLT 1/4-20 x 3/4
	5	811010	SS SOCKET BUTTON HEAD BOLT 1/4-20 x 5/8
	10	83105	NYLON LOCK NUT 1/4-20
7	1	37760	TANDEM BOX SPACER CHANNEL (OPTIONAL)
8	1	37855L	TANK AND TOOLBOX MT BRACKET-LEFT
9	1	37855R	TANK AND TOOLBOX MT BRACKET-RIGHT
10	2	5A221	LANYARD-21 INCH
11	1	37670	SHELF
12	1	03002300	TOOL BOX MAT 49"
13	1	0811136L	FORD/DODGE TOOLBOX MTG BRKT - LH
14	1	0811136R	FORD/DODGE TOOLBOX MTG BRKT - RH
15	1	0752566	DODGE FUEL FILLER MTG PLATE
	1	0752566F	FORD FUEL FILLER MTG PLATE

## Section V - PARTS

### 65" ALUMINUM TOOLBOX - 379000

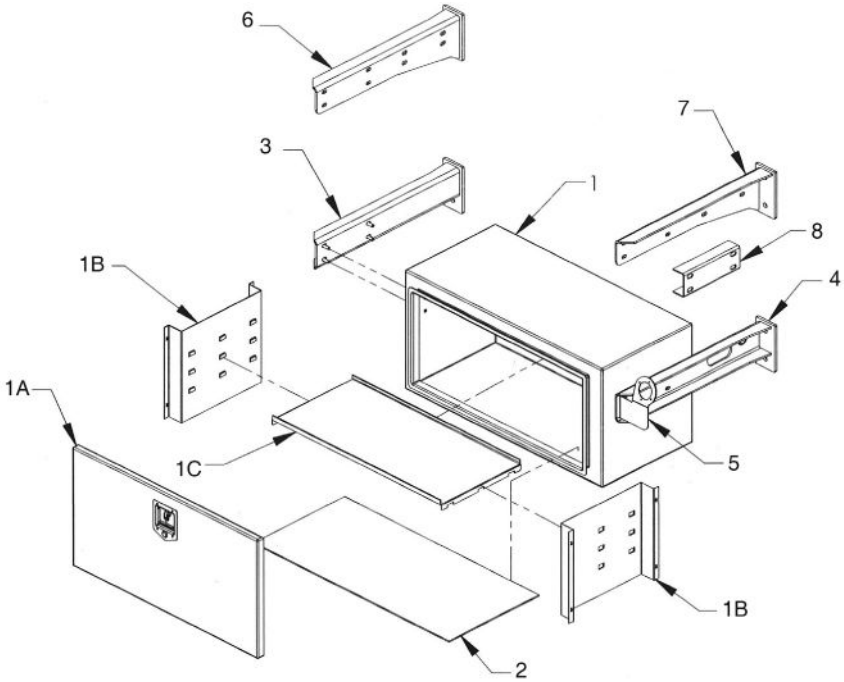


NOTE: 379000 DOES NOT INCLUDE MOUNTING BRACKETS

REF	PART #	DESCRIPTION	QPU
1	54658	ROTARY PADDLE LATCH	1
	54657	GASKET FOR PADDLE LATCH	1
	81111	#8-32 X 1/2 STAINLESS ONE WAY SCREW	4
	83111	#8-32 STAINLESS KEPT NUT	4
2	376182	STRIKER PIN MOUNTING PLATE	1
	54659	STRIKER PIN	1
	81115	STAINLESS CARRIAGE BOLT 5/16-18 x 3/4	2
	82110	FLAT WASHER 5/16	4
	82130	LOCK WASHER 5/16	2
	83110	NUT 5/16-18	2
	83125	NYLON LOCK NUT 5/16-18	1
	379100W	BOX WELDMENT	1
4	37941	DOOR WELDMENT	1
	37940	DOOR ASSEMBLY	1
	81100	STAINLESS CARRIAGE BOLT 1/4-20 x 3/4	6
	83105	NYLON LOCK NUT 1/4-20	6
5	37944	DOOR REINFORCEMENT	1
6	37935	HINGE	1
	811014	SS SOCKET BUTTON HEAD BOLT 1/4-20 x 7/8	2
	811012	SS SOCKET BUTTON HEAD BOLT 1/4-20 x 3/4	3
	811010	SS SOCKET BUTTON HEAD BOLT 1/4-20 x 5/8	5
	83105	NYLON LOCK NUT 1/4-20	10
7	37760	TANDEM BOX SPACER CHANNEL (OPTIONAL)	1
8	37855L	TANK AND TOOLBOX MT BRACKET-LEFT	1
9	37855R	TANK AND TOOLBOX MT BRACKET-RIGHT	1
10	5A221	LANYARD-21 INCH	2
11	37970	SHELF	1
12	03002302	TOOL BOX MAT 65"	1

## Section V - PARTS

### 36" STEEL TOOLBOX SERIES 10 FUEL FILL MOUNTING BRACKETS

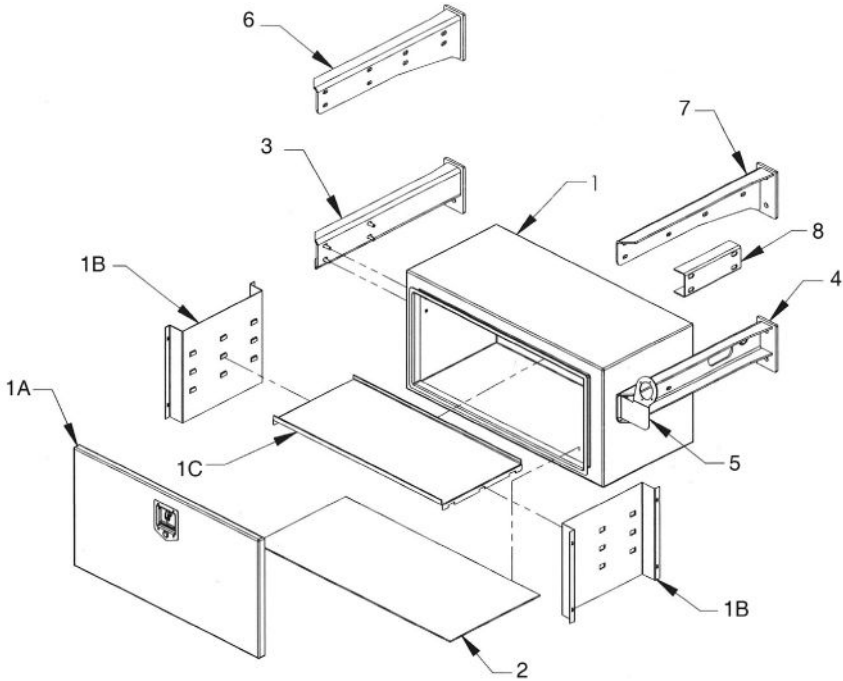


NOTE: 174016021 DOES NOT INCLUDE MOUNTING BRACKETS

REF	QTY	PART #	DESCRIPTION
1	1	174016021	STEEL TOOLBOX 36"
1A	1	174016021D	DOOR ASSEMBLY
1B	2	07002918	STEEL TOOLBOX INSIDE PANEL
1C	1	07002919-36	STEEL TOOL BOX 36" SHELF
2	1	0308801	TOOLBOX MAT 36"
3	1	0811136L	FORD/DODGE TOOLBOX MTG BRKT - LH
4	1	0811136R	FORD/DODGE TOOLBOX MTG BRKT - RH
5	1	0752566	DODGE FUEL FILLER MTG PLATE
	1	0752566F	FORD FUEL FILLER MTG PLATE
6	1	37855L	TOOLBOX AND OIL TANK MTG BRKT - LH
7	1	37855R	TOOLBOX AND OIL TANK MTG BRKT - RH
8	1	37760	TANDEM BOX SPACLER CHANNEL (OPT)

## Section V - PARTS

### 48" STEEL TOOLBOX SERIES 10 FUEL FILL MOUNTING BRACKETS

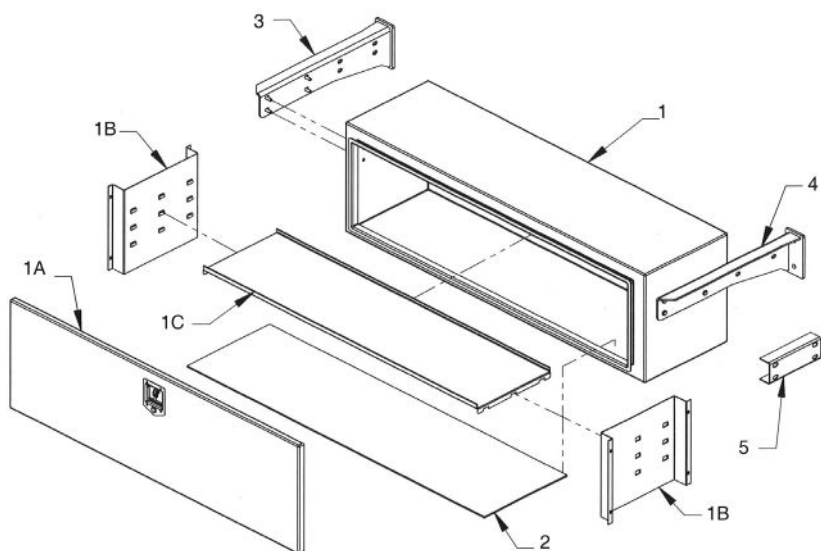


NOTE: 174016022 DOES NOT INCLUDE MOUNTING BRACKETS

REF	QTY	PART #	DESCRIPTION
1	1	174016022	STEEL TOOLBOX 48"
1A	1	174016022D	DOOR ASSEMBLY
1B	1	07002918	STEEL TOOLBOX INSIDE PANEL
1C	2	07002919-48	STEEL TOOL BOX 48" SHELF
2	1	0308758	TOOLBOX MAT 48"
3	1	0811136L	FORD/DODGE TOOLBOX MTG BRKT - LH
4	1	0811136R	FORD/DODGE TOOLBOX MTG BRKT - RH
5	1	0752566	DODGE FUEL FILLER MTG PLATE
	1	0752566F	FORD FUEL FILLER MTG PLATE
6	1	37855L	TOOLBOX AND OIL TANK MTG BRKT - LH
7	1	37855R	TOOLBOX AND OIL TANK MTG BRKT - RH
8	1	37760	TANDEM BOX SPACLER CHANNEL (OPT)

## Section V - PARTS

### 60" STEEL TOOLBOX - 174016023



NOTE: 174016023 DOES NOT INCLUDE MOUNTING BRACKETS

REF	PART #	DESCRIPTION	QPU
1	174016023	DOOR ASSEMBLY	1
1A	174016023D	BOX WELDMENT	1
1B	07002918	STEEL TOOLBOX INSIDE PANEL	2
1C	07002919-60	STEEL TOOLBOX 60" SHELF	1
2	0308837	TOOLBOX MAT 60"	1
3	37855R	TOOLBOX AND OIL TANK MTG BRACKET-RH	1
4	37855L	TOOLBOX AND OIL TANK MTG BRACKET-LH	1
5	37760	TANDEM BOX SPACER CHANNEL (OPT)	1