

CENTURY®

LEGENDARY LEADERSHIP



OWNER'S MANUAL

SERIES 10 GEN II ALUMINUM & STEEL CARRIERS

INSTALLATION, OPERATION, MAINTENANCE & PARTS

**NOTE: MANUAL including SPECIFICATIONS, subject to change without notice
All ratings specified are based on structural factors only,
not vehicle capacities or capabilities.**

CENTURY®

Miller Industries Towing Equipment Inc.
8503 Hilltop Drive
Ooltewah, Tennessee 37363

Phone (423) 238-4171 • FAX (423) 238-5371

PN. 0540039
REV. 2/2017
PRICE \$25.00

Section IV - MAINTENANCE

Inspect your unit regularly for worn, corroded, or damaged parts. Working parts in this condition must be replaced immediately.

Liability on your part may arise by operating your unit in a defective condition.



HYDRAULIC OIL: Change oil in the reservoir when it is dirty or contaminated. The oil level is to be 3 inches from top of the tank. Over-filling the tank will cause the oil to spill out of the filler vent while on uneven ground or from air build-up in the tank. Factory installed units are supplied with a high quality multi-purpose ATF.



FILTER: Replace the filter every six months. The filter should be rated at 15 GPM, 250 PSI and 25 Microns. Filters that do not meet these specifications may blow off.

Section IV - MAINTENANCE

LUBRICATION: Lubricate the unit every 30 days or less if conditions warrant.

Grease fittings are installed at all pivot points needing lubrication. Failure to lubricate these points can allow the grease fittings to corrode. Century will not accept liability as a result of damage caused by grease fittings that will not take grease. See Lubrication Chart.

SUBFRAME WEAR PADS: Carriers equipped with steel beds have wear pads that are mounted with recessed screws to the top of the subframe slide rails. In order to maximize the life of these wear pads, it is important to keep them slippery preferably with grease. They will wear prematurely if the bed is slid on these pads when they are dry or if these pads are subjected to abrasives. Although these wear pads are made of high performance plastic, plastics do not like friction combined with abrasives of any kind which can be sand, gravel, grit or rust. Sliding friction on plastic must be smooth and slippery for maximum performance.

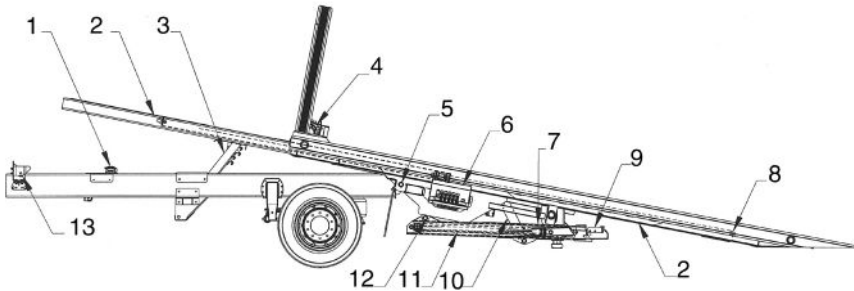
WINCH: Consult the winch manufacturer's manual.

WIRE ROPE: The wire rope should be cleaned and oiled every six months or less if conditions warrant.

PTO: Check for transmission fluid leaks where the PTO joins the transmission. If the transmission is leaking fluid at the PTO, the leak must be corrected immediately to prevent substantial fluid loss and damage to the transmission. Consult the transmission manufacturer's recommendations for the transmission service schedule.

BOLTS: Make sure all bolts are properly tightened. Vibration and stress may loosen even properly torqued bolts.

Section IV - MAINTENANCE LUBRICATION



REF NO.	DESCRIPTION	SERVICE	LUBRICANT	NUMBER OF POINTS	FREQUENCY (HOURS)
1	OIL TANK	CHANGE OIL	MULTI-PURPOSE ATF	1	1000
1	OIL FILTER	CHANGE FILTER	P/N #9018399	1	250 OR 6 MO.
2	SLIDERAILS	LUBE	GREASE	4	100 OR 2 MO.
3	TILT CYLINDERS	LUBE	GREASE	4	100 OR 2 MO.
4	WINCH GEAR BOX (WORM)	CHANGE OIL	SAE 140	1	1000
4	WINCH CABLE	LUBE	OIL	1	100 OR 2 MO.
4	WINCH CLUTCH ACTUATOR	LUBE	LITHIUM GREASE	1	50 OR 1 MO.
5	HINGE PIN	LUBE	GREASE	2	100 OR 2 MO.
6	CONTROL PIVOT LINKAGE	LUBE	SPRAY LUBRICANT	10 OR 12	100 OR 2 MO.
7	WHEEL LIFT WEAR PAD	LUBE	LITHIUM GREASE	2	100 OR 2 MO.
8	SLIDBACK CYLINDER	LUBE	GREASE	2	100 OR 2 MO.
9	W/L CROSS BAR PIVOT	LUBE	GREASE	1	50 OR 1 MO.
9	WHEEL GRID CAM LOCK PIN	LUBE	GREASE	2 OR 4	100 OR 2 MO.
10	W/L LIFT CYLINDERS	LUBE	GREASE	4	100 OR 2 MO.
11	W/L EXTEND CYLINDER	LUBE	GREASE	1	100 OR 2 MO.
12	WHEEL LIFT HINGE PIN	LUBE	GREASE	2	100 OR 2 MO.
13	BED HOLD DOWN	LUBE	LITHIUM GREASE	2	100 OR 2 MO.



IMPORTANT

It is imperative that the wheel lift crossbar pivot be lubricated more frequently than the rest of the unit.

Section V - PARTS

This Section is provided by the manufacturer for the purpose of ordering any component part of the **Series 10 GEN II Carrier** that may be required when part replacement is necessary. Be certain to use only original equipment replacement parts for warranty purposes as well as for keeping your **Series 10 GEN II Carrier** in its original state and optimum operating capacities.

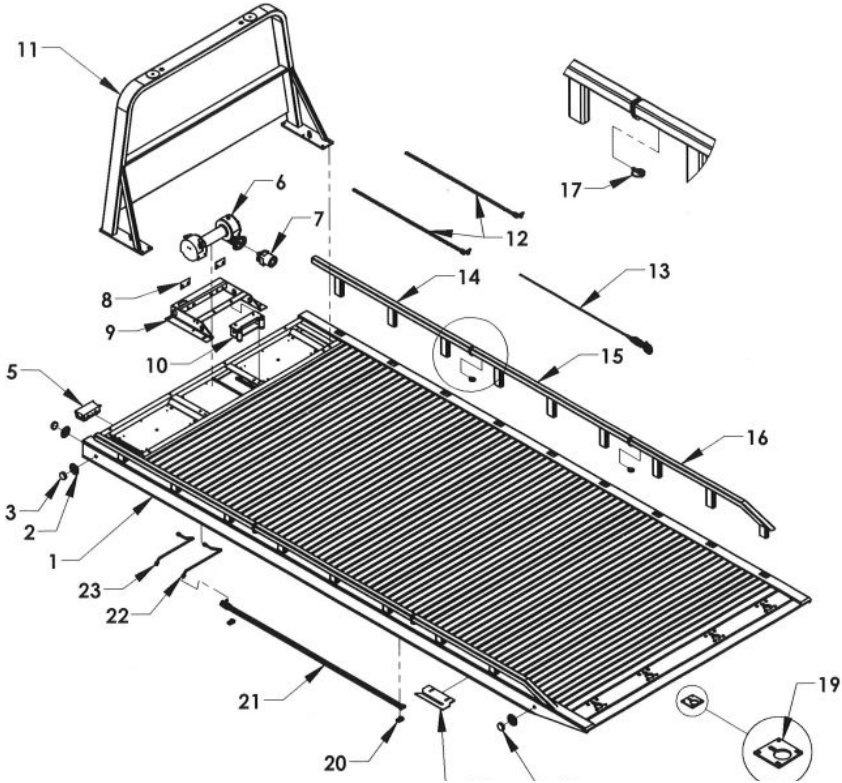
When ordering replacement or spare parts be sure to provide the following information to your carrier manufacturer authorized representative.

1. **Manual Number & Date of Publication**
2. **Manual Page Number**
3. **Page Title**
4. **Reference Number of Part Desired**
5. **Part Number**
6. **Part Description**
7. **Quantity of Part Desired**

Providing this information will help ensure that the correct parts will be delivered to you in an expedient manner without delay. Should additional information be required for repair or replacement of certain components, contact your **MILLER INDUSTRIES CENTURY DISTRIBUTOR**.

The Manufacturer reserves the right, without notice or obligation, to improve or modify their products, which may change the specifications, models and feature availability.

Section V - PARTS
ALUMINUM BED ASSEMBLY
GEN 2 SERIES 10

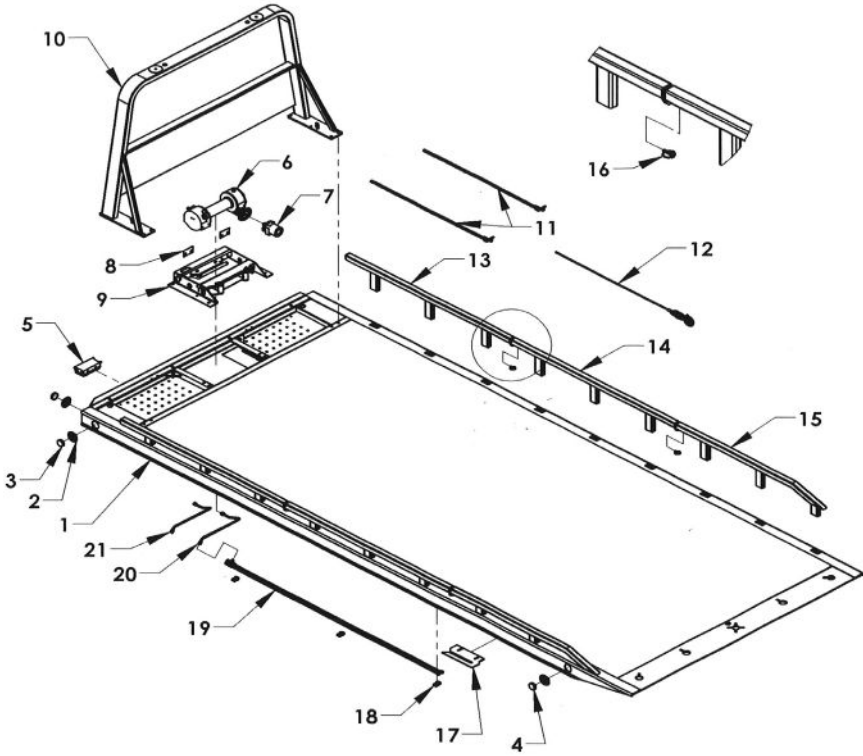


Section V - PARTS
ALUMINUM BED ASSEMBLY GEN II
REMOVABLE RAIL

REF. NO.	QTY	PART NUMBER	DESCRIPTION
1	1	30184102CXXX	SERIES 10 G2 AL BED WELDMENT XXX=190, 195, 205, 210, 215, 220
2	6	0311516	2-1/2" MARKER LIGHT GROMMET
3	4	0311513	2-1/2" AMBER MARKER LIGHT
4	2	0311512	2-1/2" RED MARKER LIGHT
5	1	0303385	10 POST JUNCTION BOX
6	1	0300250	RAMSEY 8000 LB WORM GEAR WINCH
7	1	0306157	RAMSEY WINCH MOTOR 5 CUBIC INCH
8	2	0701172	SPACER WINCH BRACKET
9	1	0801482	WINCH MOUNTING FRAME
10	1	0805037	RAMSEY ROLLER GUIDE ASSEMBLY
11	1	0809558-XX	CAB PROTECTOR XX= 38, 45, 48, 50, 52, 54, 57, 60, 62, 64
12	2	0302493	FRONT SAFETY CHAIN ASSEMBLY 5/16 x 8'
13	1	0301669	WINCH CABLE ASSEMBLY
14	2	34460XXF	REMOVABLE TUBE RAIL FRONT (SEE CHART)
15	2	346071M	REMOVABLE TUBE RAIL 3 POST MIDDLE
16	2	3406064	REMOVABLE TUBE RAIL REAR
17	4	0306070	LYNCH PIN 7/16 x 1-15/16
18	1	33813	ANTI-TILT PLATE
19	1	0707239	CHAIN LOCK REINFORCEMENT PLATE
20	2	0751188	FLUID TUBE MOUNTING BLOCK - LOWER
21	2	383S1-XXX	SERIES 10/12/16 UNDER BODY FLUID TUBE XXX=190, 195, 205, 210, 215, 220
22	1	0752168-R	WINCH MOTOR FLUID TUBE-S10 G2-RAMSEY-LONG
23	1	0752167-R	WINCH MOTOR FLUID TUBE-S10 G2-RAMSEY-SHORT

Section V - PARTS

STEEL BED ASSEMBLY GEN II REMOVABLE TUBE RAIL

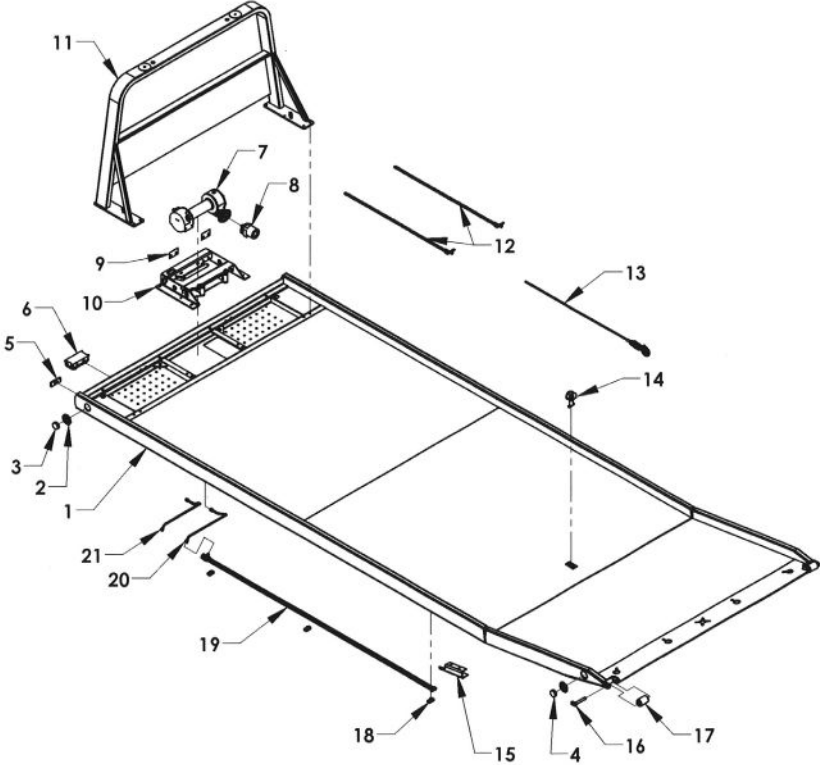


Section V - PARTS

STEEL BED ASSEMBLY GEN 2 REMOVABLE RAIL

REF. NO.	QTY	PART NUMBER	DESCRIPTION
1	1	30284102LXXX	S10 LCG G2 AL BED WELDMENT XXX = 190, 195, 205, 210, 215, 220
2	6	0311516	2-1/2" MARKER LIGHT GROMMET
3	4	0311513	2-1/2" AMBER MARKER LIGHT
4	2	0311512	2-1/2" RED MARKER LIGHT
5	1	0303385	10 POST JUNCTION BOX
6	1	0308698	RAMSEY 8000 LB WORM GEAR
7	1	0306157	WINCH MOTOR 5 CUBIC INCH
8	2	0701172	SPACER, WINCH BRACKET
9	1	0811139	WINCH MOUNTING FRAME
		0801482	WINCH MOUNTING FRAME
		0805037	ROLLER GUIDE ASSEMBLY/USED WITH 0801482
10	1	0809558-XX	CAB PROTECTOR XX = 38, 45, 48, 50, 52, 54, 57, 60, 62, 64
11	2	0302493	FRONT SAFETY CHAIN ASSEMBLY - 5/16 x 8'
12	1	0301669	WINCH CABLE ASSEMBLY
13	2	34460XXF	REMOVABLE TUBE RAIL FRONT (SEE CHART)
14	2	346071M	REMOVABLE TUBE RAIL 3 POST MIDDLE
15	2	3406064	REMOVABLE TUBE RAIL REAR
16	4	0306070	LYNCH PIN - 7/16 x 1-3/4
17	1	33813	ANTI-TILT PLATE
18	3	0751188	FLUID TUBE MOUNTING BLOCK-LOWER
19	2	363S1-XXX	SERIES 10/12/16 UNDER BODY FLUID TUBE XXX = 190, 195, 205, 210, 215, 220
20	1	0751968-R	WINCH MOTOR FLUID TUBE - RAMSEY - LONG
21	1	0751967-R	WINCH MOTOR FLUID TUBE - RAMSEY - SHORT

Section V - PARTS
STEEL BED ASSEMBLY
GEN 2 SERIES 10 RIGHT APPROACH



Section V - PARTS

STEEL BED ASSEMBLY GEN 2 SERIES 10 RIGHT APPROACH

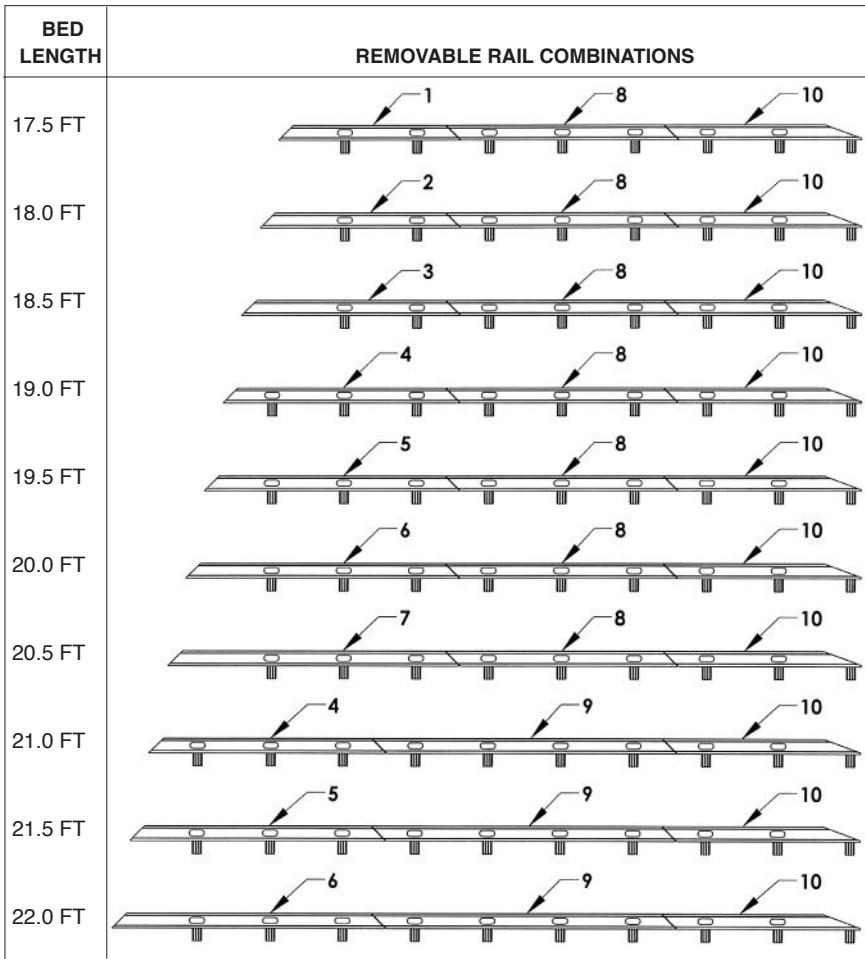
REF. NO.	QTY	PART NUMBER	DESCRIPTION
1	1	3028102RXXX	S10 G2 RA STEEL BED WELDMENT XXX = 190, 195, 205, 210, 215, 220
2	2	0311516	2-1/2" MARKER LIGHT GROMMET
3	2	0311513	2-1/2" AMBER MARKER LIGHT
4	2	0311512	2-1/2" RED MARKER LIGHT
5	1	0308360	RECT. REFLECTIVE LIGHT 4-3/8 x 1-1/2 AMBER
6	1	0303385	10 POST JUNCTION BOX
7	1	0308698	RAMSEY 8000 LB WORM GEAR
8	2	0306147	WINCH MOTOR 5 CUBIC INCH
9	1	0701172	SPACER, WINCH BRACKET
10	1	0811139	WINCH MOUNTING FRAME
		0801482	WINCH MOUNTING FRAME
		0805037	ROLLER GUIDE ASSEMBLY/USED WITH 0801482
11	1	0809558-XX	CAB PROTECTOR XX = 38, 45, 48, 50, 52, 54, 57, 60, 62, 64
12	1	0302493	FRONT SAFETY CHAIN ASSEMBLY - 5/16 x 8'
13	1	0301669	WINCH CABLE ASSEMBLY
14	2	0805324	CABLE GUIDE WELDMENT (HOOK STYLE)
15	2	0750465	ANTI-TILT PLATE RP
16	3	0806252	ROLLER TIP WHEEL KEEPER PIN
17	2	0721483	ROLLER
18	1	0751188	FLUID TUBE MOUNTING BLOCK-LOWER
19	1	383S1-XXX	SERIES 10/12/16 UNDER BODY FLUID TUBE XXX = 190, 195, 205, 210, 215, 220
20	1	0751975-R	WINCH MOTOR FLUID TUBE - RAMSEY - LONG
21	1	0751974-R	WINCH MOTOR FLUID TUBE - RAMSEY - SHORT

Section V - PARTS REMOVABLE TUBE SIDE RAILS

BED LENGTH	REMOVABLE RAIL COMBINATIONS
17.5 TO 18.5 FT	
19 TO 20.5 FT	
21 TO 22 FT	

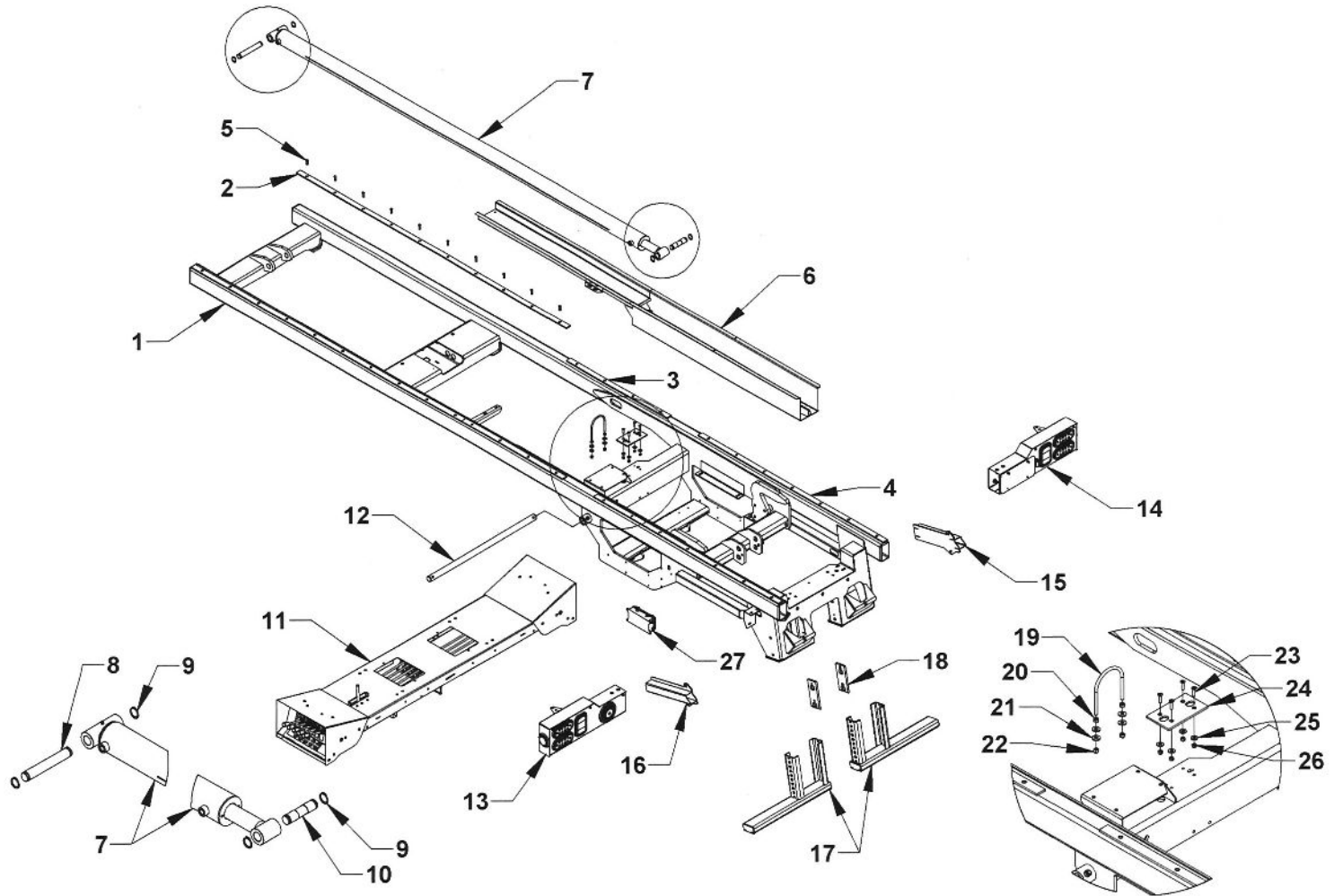
REF	PART #	DESCRIPTION	QPU
1	346049F	FRONT REMOVABLE TUBE RAIL - 2 POST	SEE CHART
2	346071F	FRONT REMOVABLE TUBE RAIL - 3 POST	SEE CHART
3	346095F	FRONT REMOVABLE TUBE RAIL - 4 POST	SEE CHART
4	346071M	MIDDLE REMOVABLE TUBE RAIL - 3 POST	SEE CHART
5	346064	REAR REMOVABLE TUBE RAIL - 3 POST	SEE CHART

Section V - PARTS REMOVABLE BLADE SIDE RAILS



REF	PART #	DESCRIPTION	QPU
1	34B060FL	FRONT REMOVABLE BLADE RAIL - 2 POST	SEE CHART
2	34B066FL	FRONT REMOVABLE BLADE RAIL - 2 POST	SEE CHART
3	34B072FL	FRONT REMOVABLE BLADE RAIL - 2 POST	SEE CHART
4	34B078FL	FRONT REMOVABLE BLADE RAIL - 3 POST	SEE CHART
5	34B084FL	FRONT REMOVABLE BLADE RAIL - 3 POST	SEE CHART
6	34B090FL	FRONT REMOVABLE BLADE RAIL - 3 POST	SEE CHART
7	34B096FL	FRONT REMOVABLE BLADE RAIL - 3 POST	SEE CHART
8	34B072ML	MIDDLE REMOVABLE BLADE RAIL - 3 POST	SEE CHART
9	34B096ML	MIDDLE REMOVABLE BLADE RAIL - 4 POST	SEE CHART
10	34B064RL	REAR REMOVABLE BLADE RAIL - 3 POST	SEE CHART

Section V - PARTS
SERIES 10 GEN II 19 - 19.5 FT SUBFRAME COMPONENTS
INBOARD TILT CYLINDER

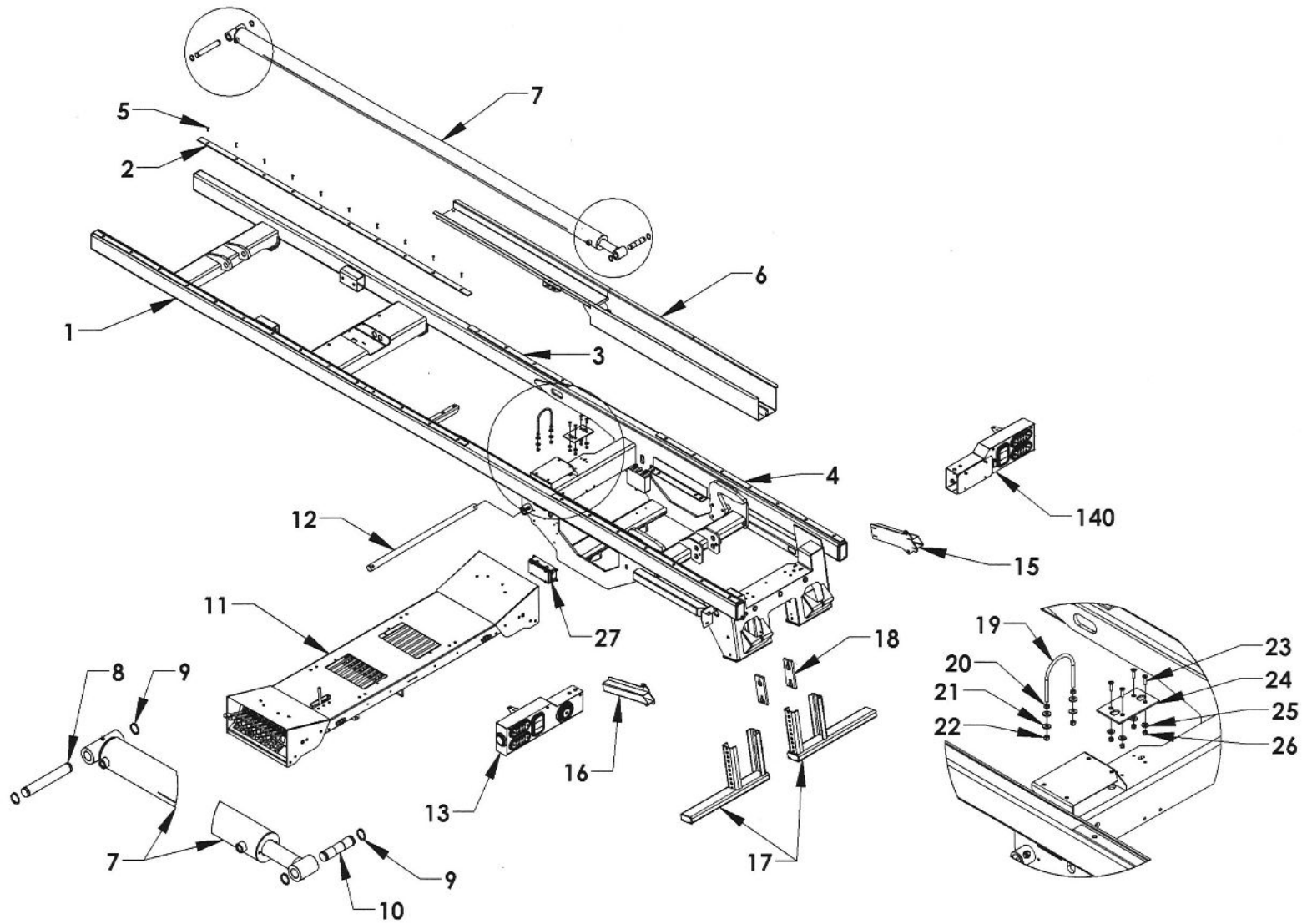


Section V - PARTS

SERIES 10 GEN II 19-19.5 FT SUBFRAME COMPONENTS - INBOARD TILT

REF NO.	QTY	PART NUMBER	DESCRIPTION
1	1	0809989-19	SERIES 10 G2 SUBFRAME WELDMENT - IB TILT
2	2	0308928-96	SUBFRAME BEARING PAD 5/16 x 1-1/2 x 96
3	2	0308928-36	SUBFRAME BEARING PAD 5/16 x 1-1/2 x 36
4	2	0308928-66	SUBFRAME BEARING PAD 5/16 x 1-1/2 x 66
5	42	04000321	BOLT 5/16 -18 x 1-1/4 COUNTERSUNK TORX ST
6	1	0809824	DUAL BAY HOSE TRAY
7	1	72A35120	SLIDEBACK CYLINDER 3.5 BORE x 120 STROKE
8	1	13302010	SLIDEBACK CYLINDER MOUNTING PIN 1.230
9	4	86125E	1-1/4 SNAP RING - EXTERNAL
10	1	32117	SLIDEBACK CYLINDER MOUNTING PIN 1.230
11	1	183126	6-SPOOL CONTROL STATION
		183129	9-SPOOL CONTROL STATION
12	1	0752164	SERIES 10 GEN2 SUBFRAME HINGE PIN
13	1	0940325L	CENTURY TAIL LIGHT HOUSING GROUP - LEFT
14	1	0940325R	CENTURY TAIL LIGHT HOUSING GROUP - RIGHT
15	1	160540R	L-ARM STORAGE TUBE - RIGHT (OPTIONAL) - VULCAN
		160535R	L-ARM STORAGE TUBE - RIGHT (STD) - DROP-IN
		0809287R	L-ARM STORAGE TUBE - RIGHT (OPT) CNTRY SLIDE-IN ARM
16	1	160540L	L-ARM STORAGE TUBE - LEFT (OPTIONAL) - VULCAN
		160535L	L-ARM STORAGE TUBE - LEFT (STD) - DROP-IN
		0809287L	L-ARM STORAGE TUBE - LEFT (OPT) CNTRY SLIDE-IN ARM
17	2	0809188	SERIES 10 EXTENSION STAND
18	2	0750409	STABILIZER WHEEL LIFT GUIDE PAD
19	1	81286	U-BOLT 3/8-16 UNC
20	2	-	HEX NUT 3/8-16 UNC
21	4	-	FLAT WASHER 3/8
22	2	-	NYLON LOCK NUT 3/8-16 UNC
23	4	81121	BOLT 5/16-18 UNC - ALLEN COUNTERSUNK
24	1	0751223	LCG 12/16/20 S/B CYLINDER SUPPORT PAD
25	4	-	FLAT WASHER 5/16
26	4	-	NYLON LOCK NUT 5/16-18 UNC
27	1	0303385	10 POST JUNCTION BOX

Section V - PARTS
SERIES 10 GEN II 21 - 22 FT SUBFRAME COMPONENTS
INBOARD TILT CYLINDER

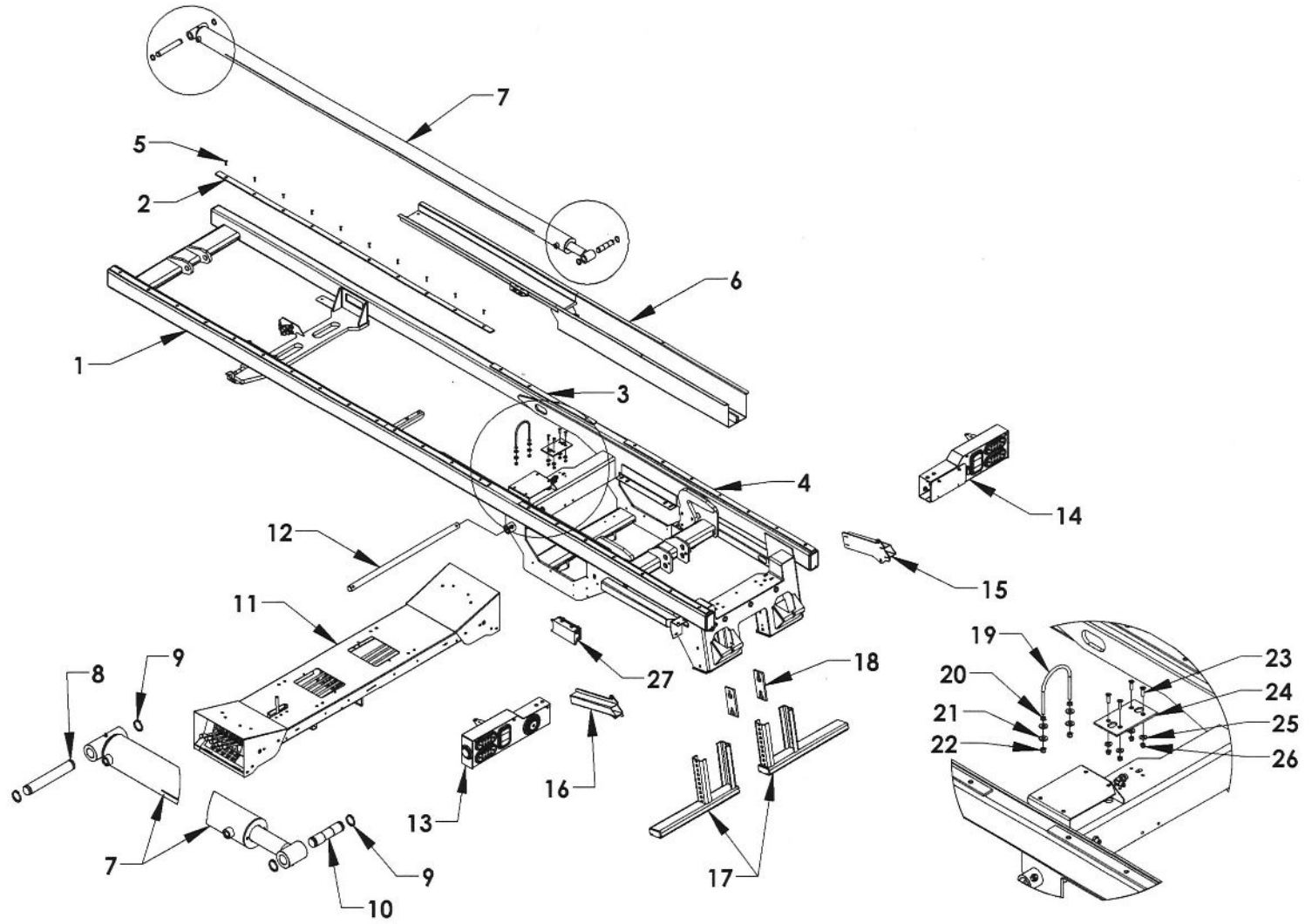


Section V - PARTS

SERIES 10 GEN II 21 - 22 FT SUBFRAME INBOARD COMPONENTS

REF NO.	QTY	PART NUMBER	DESCRIPTION
1	1	0809962	SERIES 10 G2 SUBFRAME WELDMENT - IB TILT
2	2	0308928-96	SUBFRAME BEARING PAD 5/16 x 1-1/2 x 96
3	2	0308928-36	SUBFRAME BEARING PAD 5/16 x 1-1/2 x 36
4	2	0308928-66	SUBFRAME BEARING PAD 5/16 x 1-1/2 x 66
5	42	04000321	BOLT 5/16 -18 x 1-1/4 COUNTERSUNK TORX ST
6	1	0809824	DUAL BAY HOSE TRAY
7	1	72A35120	SLIDEBACK CYLINDER 3.5 BORE x 120 STROKE
8	1	13302010	SLIDEBACK CYLINDER MOUNTING PIN 1.230
9	4	86125E	1-1/4 SNAP RING - EXTERNAL
10	1	32117	SLIDEBACK CYLINDER MOUNTING PIN 1.230
11	1	183126	6-SPOOL CONTROL STATION
		183129	9-SPOOL CONTROL STATION
12	1	0752164	SERIES 10 GEN2 SUBFRAME HINGE PIN
13	1	0940325L	CENTURY TAIL LIGHT HOUSING GROUP - LEFT
14	1	0940325R	CENTURY TAIL LIGHT HOUSING GROUP - RIGHT
15	1	160540R	L-ARM STORAGE TUBE - RIGHT (OPTIONAL) - VULCAN
		160535R	L-ARM STORAGE TUBE - RIGHT (STD) - DROP-IN
		0809287R	L-ARM STORAGE TUBE - RIGHT (OPT) CNTRY SLIDE-IN ARM
16	1	160540L	L-ARM STORAGE TUBE - LEFT (OPTIONAL) - VULCAN
		160535L	L-ARM STORAGE TUBE - LEFT (STD) - DROP-IN
		0809287L	L-ARM STORAGE TUBE - LEFT (OPT) CNTRY SLIDE-IN ARM
17	2	0809188	SERIES 10 EXTENSION STAND
18	2	0750409	STABILIZER WHEEL LIFT GUIDE PAD
19	1	81286	U-BOLT 3/8-16 UNC
20	2	-	HEX NUT 3/8-16 UNC
21	4	-	FLAT WASHER 3/8
22	2	-	NYLON LOCK NUT 3/8-16 UNC
23	4	81121	BOLT 5/16-18 UNC - ALLEN COUNTERSUNK
24	1	0751223	LCG 12/16/20 S/B CYLINDER SUPPORT PAD
25	4	-	FLAT WASHER 5/16
26	4	-	NYLON LOCK NUT 5/16-18 UNC
27	1	0303385	10 POST JUNCTION BOX

Section V - PARTS
SERIES 10 GEN II 19-19.5 FT SUBFRAME COMPONENTS
OUTBOARD TILT CYLINDER

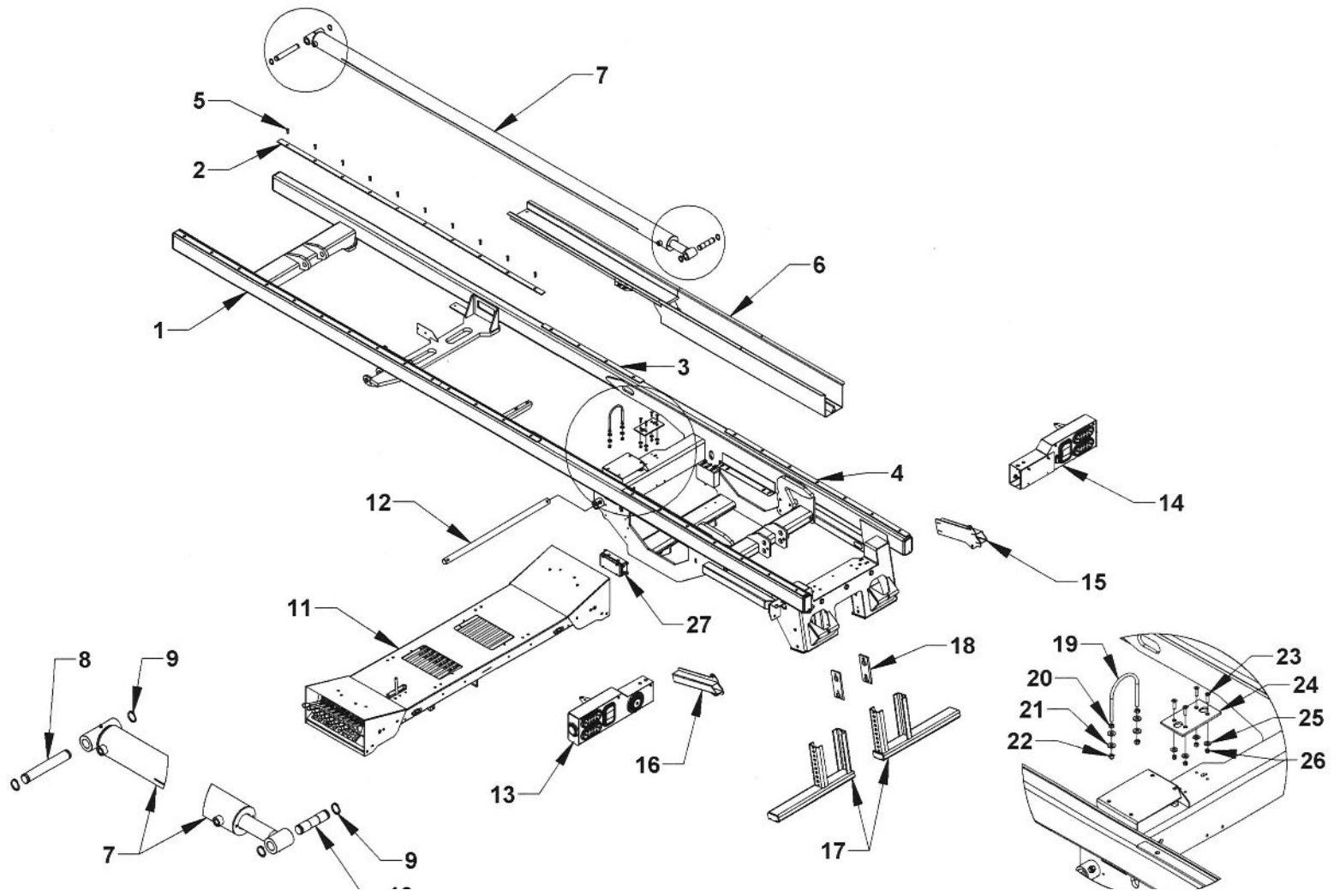


Section V - PARTS

SERIES 10 GEN II 19-19.5 FT SUBFRAME COMPONENTS - OUTBOARD TILT

REF NO.	QTY	PART NUMBER	DESCRIPTION
1	1	0809918	SERIES 10 G2 SUBFRAME WELDMENT - OB TILT
2	2	0308928-96	SUBFRAME BEARING PAD 5/16 x 1-1/2 x 96
3	2	0308928-36	SUBFRAME BEARING PAD 5/16 x 1-1/2 x 36
4	2	0308928-66	SUBFRAME BEARING PAD 5/16 x 1-1/2 x 66
5	42	04000321	BOLT 5/16 -18 x 1-1/4 COUNTERSUNK TORX ST
6	1	0809824	DUAL BAY HOSE TRAY
7	1	72A35120	SLIDEBACK CYLINDER 3.5 BORE x 120 STROKE
8	1	13302010	SLIDEBACK CYLINDER MOUNTING PIN 1.230
9	4	86125E	1-1/4 SNAP RING - EXTERNAL
10	1	32117	SLIDEBACK CYLINDER MOUNTING PIN 1.230
11	1	183126	6-SPOOL CONTROL STATION
		183129	9-SPOOL CONTROL STATION
12	1	0752164	SERIES 10 GEN2 SUBFRAME HINGE PIN
13	1	0940325L	CENTURY TAIL LIGHT HOUSING GROUP - LEFT
14	1	0940325R	CENTURY TAIL LIGHT HOUSING GROUP - RIGHT
15	1	160540R	L-ARM STORAGE TUBE - RIGHT (OPTIONAL) - VULCAN
		160535R	L-ARM STORAGE TUBE - RIGHT (STD) - DROP-IN
		0809287R	L-ARM STORAGE TUBE - RIGHT (OPT) CNTRY SLIDE-IN ARM
16	1	160540L	L-ARM STORAGE TUBE - LEFT (OPTIONAL) - VULCAN
		160535L	L-ARM STORAGE TUBE - LEFT (STD) - DROP-IN
		0809287L	L-ARM STORAGE TUBE - LEFT (OPT) CNTRY SLIDE-IN ARM
17	2	0809188	SERIES 10 EXTENSION STAND
18	2	0750409	STABILIZER WHEEL LIFT GUIDE PAD
19	1	81286	U-BOLT 3/8-16 UNC
20	2	-	HEX NUT 3/8-16 UNC
21	4	-	FLAT WASHER 3/8
22	2	-	NYLON LOCK NUT 3/8-16 UNC
23	4	81121	BOLT 5/16-18 UNC - ALLEN COUNTERSUNK
24	1	0751223	LCG 12/16/20 S/B CYLINDER SUPPORT PAD
25	4	-	FLAT WASHER 5/16
26	4	-	NYLON LOCK NUT 5/16-18 UNC
27	1	0303385	10 POST JUNCTION BOX

Section V - PARTS
SERIES 10 GEN II 21-22 FT SUBFRAME COMPONENTS
OUTBOARD TILT CYLINDER

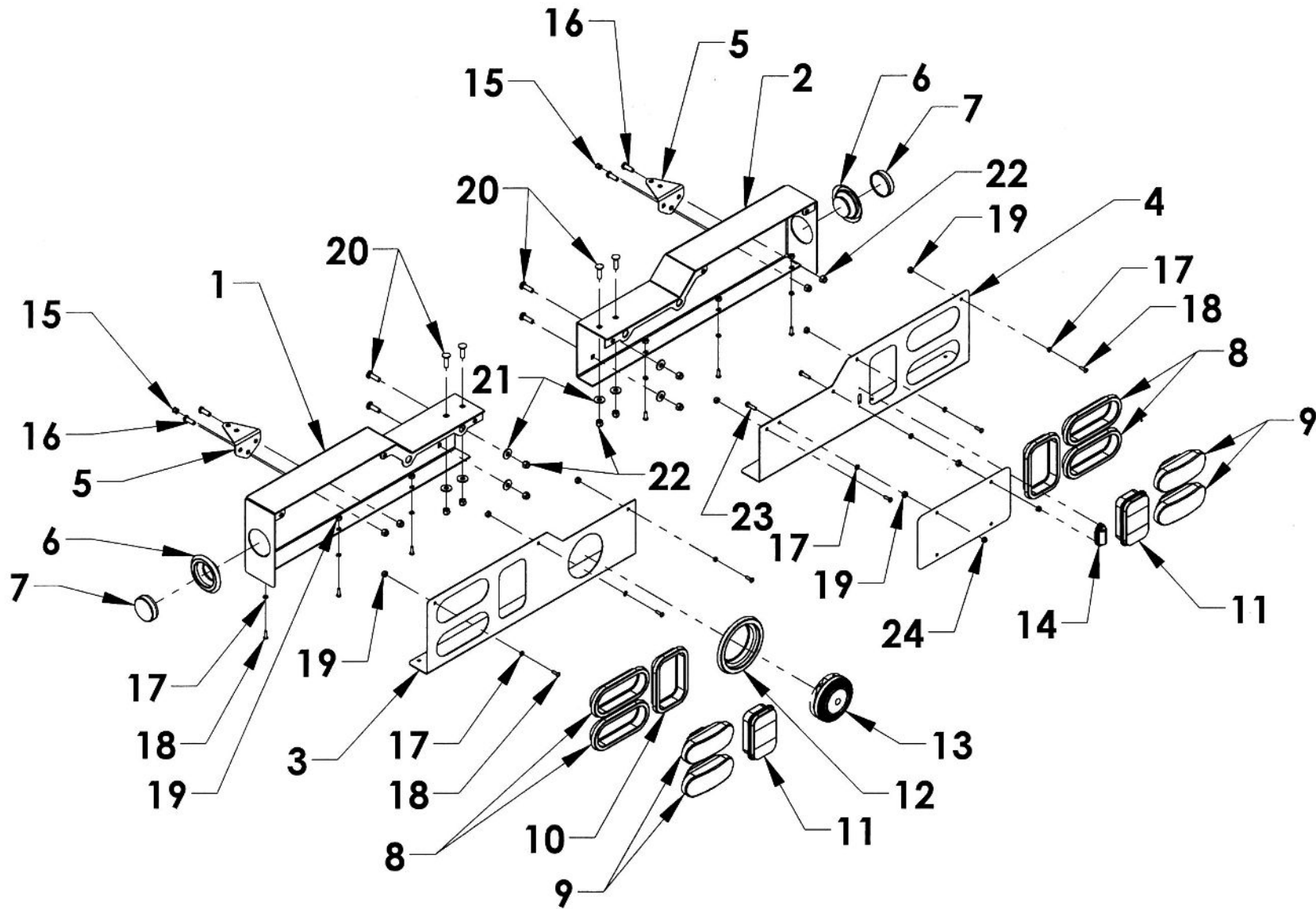


Section V - PARTS

SERIES 10 GEN II 21-22 FT SUBFRAME COMPONENTS - OUTBOARD TILT

REF NO.	QTY	PART NUMBER	DESCRIPTION
1	1	0811199	SERIES 10 G2 SUBFRAME WELDMENT - OB TILT
2	2	0308928-96	SUBFRAME BEARING PAD 5/16 x 1-1/2 x 96
3	2	0308928-36	SUBFRAME BEARING PAD 5/16 x 1-1/2 x 36
4	2	0308928-66	SUBFRAME BEARING PAD 5/16 x 1-1/2 x 66
5	42	04000321	BOLT 5/16 -18 x 1-1/4 COUNTERSUNK TORX ST
6	1	0809824	DUAL BAY HOSE TRAY
7	1	72A35120	SLIDEBACK CYLINDER 3.5 BORE x 120 STROKE
8	1	13302010	SLIDEBACK CYLINDER MOUNTING PIN 1.230
9	4	86125E	1-1/4 SNAP RING - EXTERNAL
10	1	32117	SLIDEBACK CYLINDER MOUNTING PIN 1.230
11	1	183126	6-SPOOL CONTROL STATION
		183129	9-SPOOL CONTROL STATION
12	1	0752164	SERIES 10 GEN2 SUBFRAME HINGE PIN
13	1	0940325L	CENTURY TAIL LIGHT HOUSING GROUP - LEFT
14	1	0940325R	CENTURY TAIL LIGHT HOUSING GROUP - RIGHT
15	1	160540R	L-ARM STORAGE TUBE - RIGHT (OPTIONAL) - VULCAN
		160535R	L-ARM STORAGE TUBE - RIGHT (STD) - DROP-IN
		0809287R	L-ARM STORAGE TUBE - RIGHT (OPT) CNTRY SLIDE-IN ARM
16	1	160540L	L-ARM STORAGE TUBE - LEFT (OPTIONAL) - VULCAN
		160535L	L-ARM STORAGE TUBE - LEFT (STD) - DROP-IN
		0809287L	L-ARM STORAGE TUBE - LEFT (OPT) CNTRY SLIDE-IN ARM
17	2	0809188	SERIES 10 EXTENSION STAND
18	2	0750409	STABILIZER WHEEL LIFT GUIDE PAD
19	1	81286	U-BOLT 3/8-16 UNC
20	2	-	HEX NUT 3/8-16 UNC
21	4	-	FLAT WASHER 3/8
22	2	-	NYLON LOCK NUT 3/8-16 UNC
23	4	81121	BOLT 5/16-18 UNC - ALLEN COUNTERSUNK
24	1	0751223	LCG 12/16/20 S/B CYLINDER SUPPORT PAD
25	4	-	FLAT WASHER 5/16
26	4	-	NYLON LOCK NUT 5/16-18 UNC
27	1	0303385	10 POST JUNCTION BOX

Section V - PARTS
TAIL LIGHT COMPONENTS

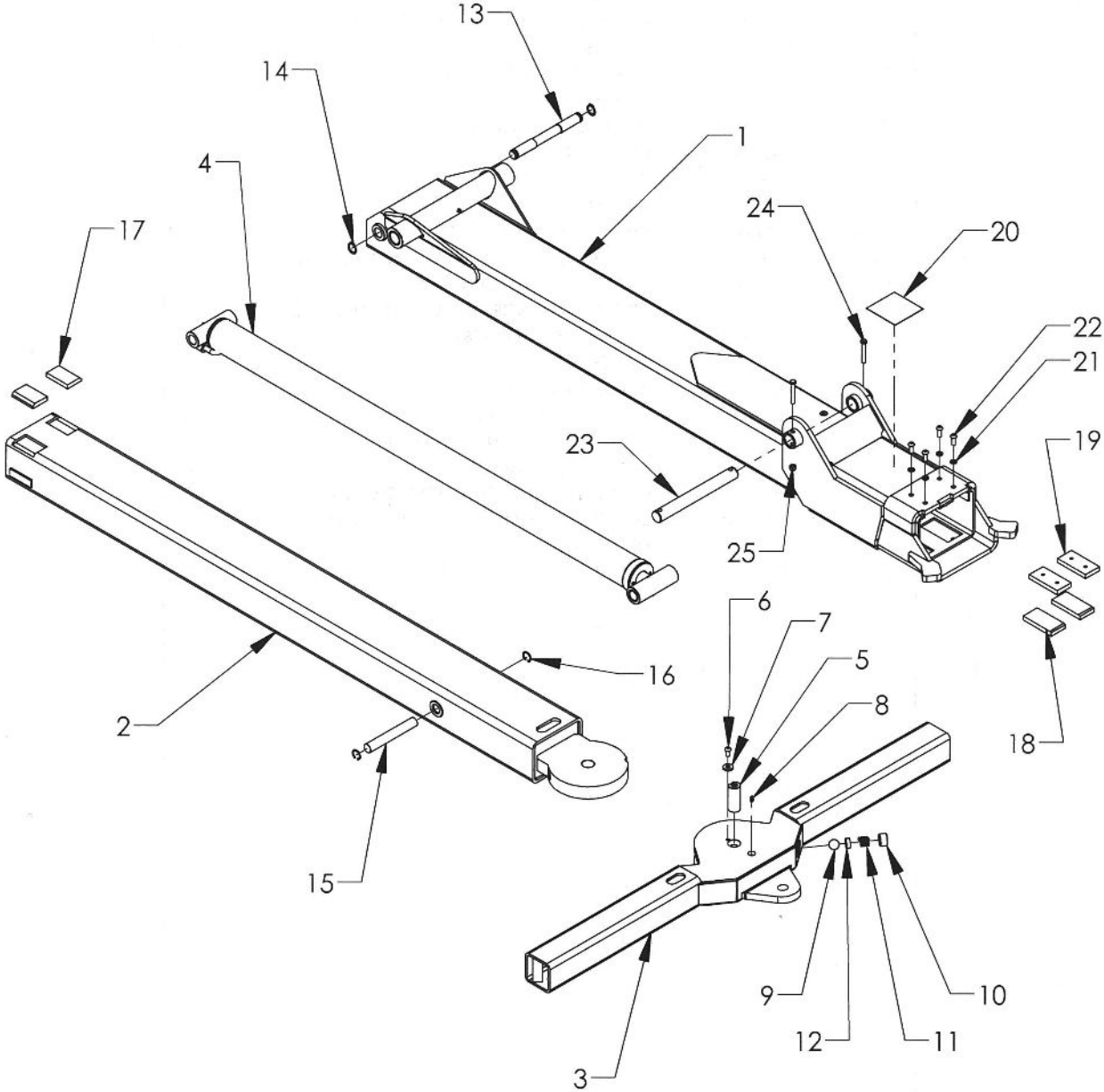


Section V - PARTS
SERIES 10 GEN II TAIL LIGHT COMPONENTS

REF. NO.	NO. REQ'D	PART NUMBER	DESCRIPTION
1	1	0809517L	TAIL LIGHT HOUSING WELDMENT - LEFT
2	1	0809517R	TAIL LIGHT HOUSING WELDMENT - RIGHT
3	1	0751892L	12/16/20 LCG TAIL LIGHT BEZEL - LEFT G2
4	1	0751892R	12/16/20 LCG TAIL LIGHT BEZEL - RIGHT G2
5	2	0750672	WORK LIGHT MOUNTING BRACKET
6	2	0311516	2-1/2 IN. MARKER LIGHT GROMMET
7	2	0311512	2-1/2 IN. RED MARKER LIGHT
8	4	0311503	6 IN. OVAL GROMMET
9	4	0311498	6 IN. OVAL RED LIGHT
10	2	0311511	CARRIER TAIL LIGHT GROMMET
11	2	0311510	CARRIER BACK UP LIGHT
12	1	0311528	BACK UP ALARM GROMMET
13	1	0306385	BACK UP ALARM
14	1	0311525	LICENSE PLATE LIGHT
15	2	0306050	TAIL LIGHT WIRE GROMMET
16	4	-	BOLT, HHCS 3/8-16 UNC x 1
17	14	-	LOCK WASHER - 1/4
18	12	-	BOLT, RHMS 1/4-20 UNC x 3/4
19	14	-	HEX NUT 1/4-20 UNC
20	8	-	BOLT, CARRIAGE 3/8-16 UNC x 1-1/4 SS
21	8	-	FLAT WASHER - 3/8
22	12	-	NYLON LOCK NUT 3/8-16 UNC
23	2	-	BOLT, HHCS 1/4-20 UNC x 1
24	2	-	NYLON LOCK NUT 1/4-20 UNC

Section V - PARTS

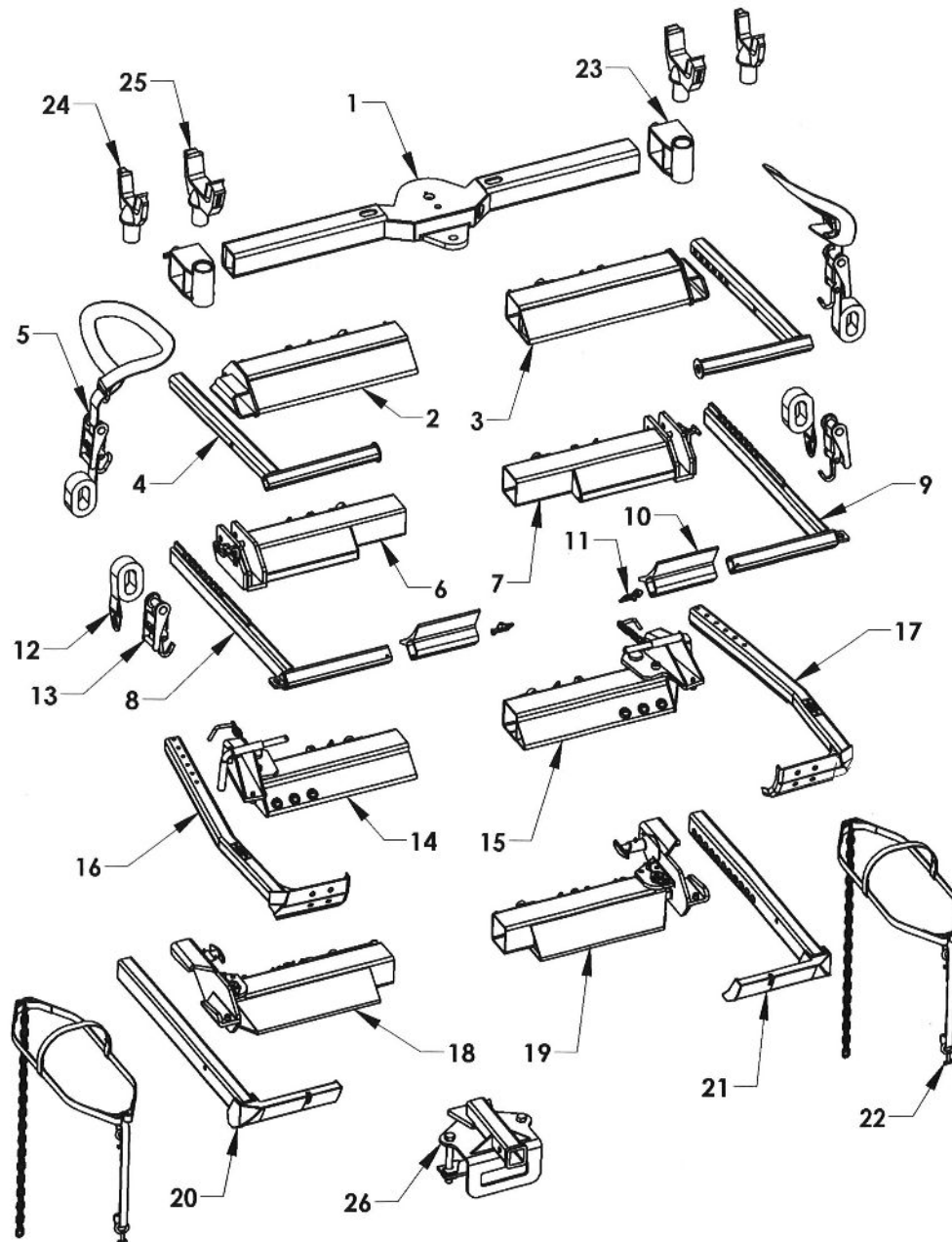
3,000 LB.WHEEL LIFT
GEN 2 SERIES 10



Section V - PARTS**3,000 LB. WHEEL LIFT - GEN 2 - 0940450**

REF. NO.	NO. REQ'D	PART NUMBER	DESCRIPTION
1	1	10240408	UNDERLIFT OUTER BOOM TUBE - 4K
2	1	0811159	UNDERLIFT INNER BOOM TUBE - 4K
3	1	080160	CROSSBAR 4K
4	1	72A30054	UNDERLIFT EXTEND CYLINDER 3 x 54
5	1	0940433	CROSSBAR PIOT PIN
6	1	0403004	CAP SCREW BUTTON HD 3/8-16 x 54
7	1	0720463	WASHER
8	1	0300113	GREASE FITTING 1/4-28
9	1	0308129	DETENT BALL
10	1	0308130	DETEND PLUG
11	1	0308131	DETENT SPRING
12	1	07003396	SPACER CROSSBAR DETENT
13	1	729352	EXTEND CYLINDER MOUNTING PIN-BASE
14	2	86100E	SNAP-RING 1.00 EXTERNAL HD
15	1	72940	EXTEND CYLINDER MOUNTING PIN-ROD
16	2	86100I	SNAP-RING 1.00 INTERNAL
17	2	65613	WEAR PAD 1/2 x 2 x 3
18	2	63595	WEAR PAD 1/2 x 2 x 4
19	2	63595H	SPACER PAD 1/2 x 2 x 4
20	1	0540042	UNDERLIFT RATING PLATE 3K
21	4	0400482	3/8 LOCK WASHER
22	4	0403139	CAP SCREW BUTTON HEAD 3/8-16 x 1
23	1	0750523	LIFT CYLINDER MTG PIN 1.25 x 11.062
24	2	0400150	HHCS 3/8-16 x 2-1/2
25	2	0400392	NYLON LOCK NUT 3/8-16

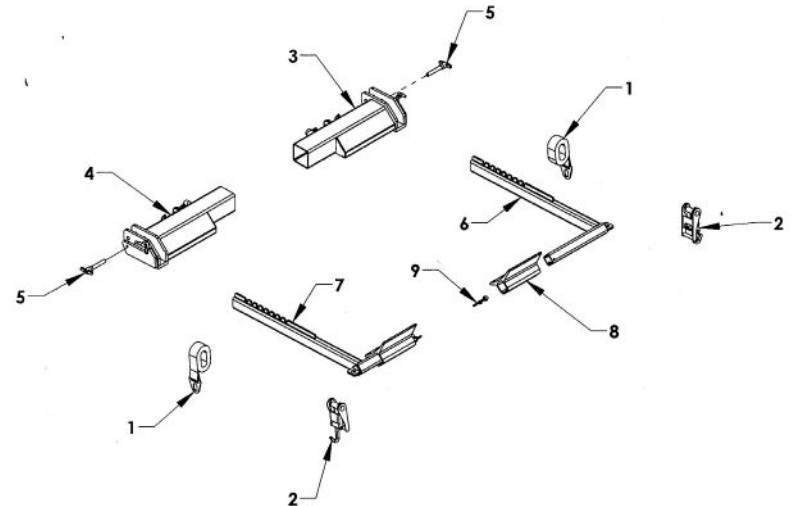
Section V - PARTS
WHEEL-LIFT CROSSBAR ATTACHMENTS



Section V - PARTS
WHEEL LIFT CROSSBAR ATTACHMENTS

REF NO.	NO REQ'D	PART NUMBER	DESCRIPTION
1	1	811160	CROSSBAR 4K (3.5 x 3.5)
2	1	0809283L	4-INCH WHEEL GRID - LH
3	1	0809284R	4-INCH WHEEL GRID - RH
4	2	0801332	STEEL L-ARM 4000 LB
5	2	0308664	STRAP AND RATCHET PIVOT ASSEMBLY
6	1	0940434L	WHEEL GRID (DROP-IN L-ARM) - LEFT
7	1	0940434R	WHEEL GRID (DROP-IN L-ARM) - RIGHT
8	1	65250L	4000 LB L-ARM - LEFT
9	1	65250R	4000 LB L-ARM - RIGHT
10	2	65246	REMOVABLE PAN (CHEVRON)
11	2	84911	SAFETY PIN, 5/16 (CHERON)
12	2	65285	WHEEL STRAP WITH D-RING
13	2	65280A	RATCHET AND HOOK
14	1	8800800	LH WHEEL GRID
15	1	8800900	RH WHEEL GRID
16	1	8700190	LH WHEEL RETAINER
17	1	8700180	RH WHEEL RETAINER
18	1	0909499L	WHEEL GRID 3WP - LEFT
19	1	0909499R	WHEEL GRID 3WP - RIGHT
20	1	803648	3-WAY PIVOT L-ARM - LEFT
21	1	803649	3-WAY PIVOT L-ARM - RIGHT
22	2	0902382	BASKET TIRE STRAP - SMALL-MEDIUM YELLOW
	2	65287	BASKET TIRE STRAP - MEDIUM-LARGE, BLUE
23	2	65460	3-1/2 INCH FORK HOLDER
24	2	663530	FRAME FORK, 3 INCH CAST
25	2	663545	FRAME FORK SHORT, 4-1/2 INCH CAST
26	1	0940458	REESE HITCH RECEIVER, COMMON GEN2

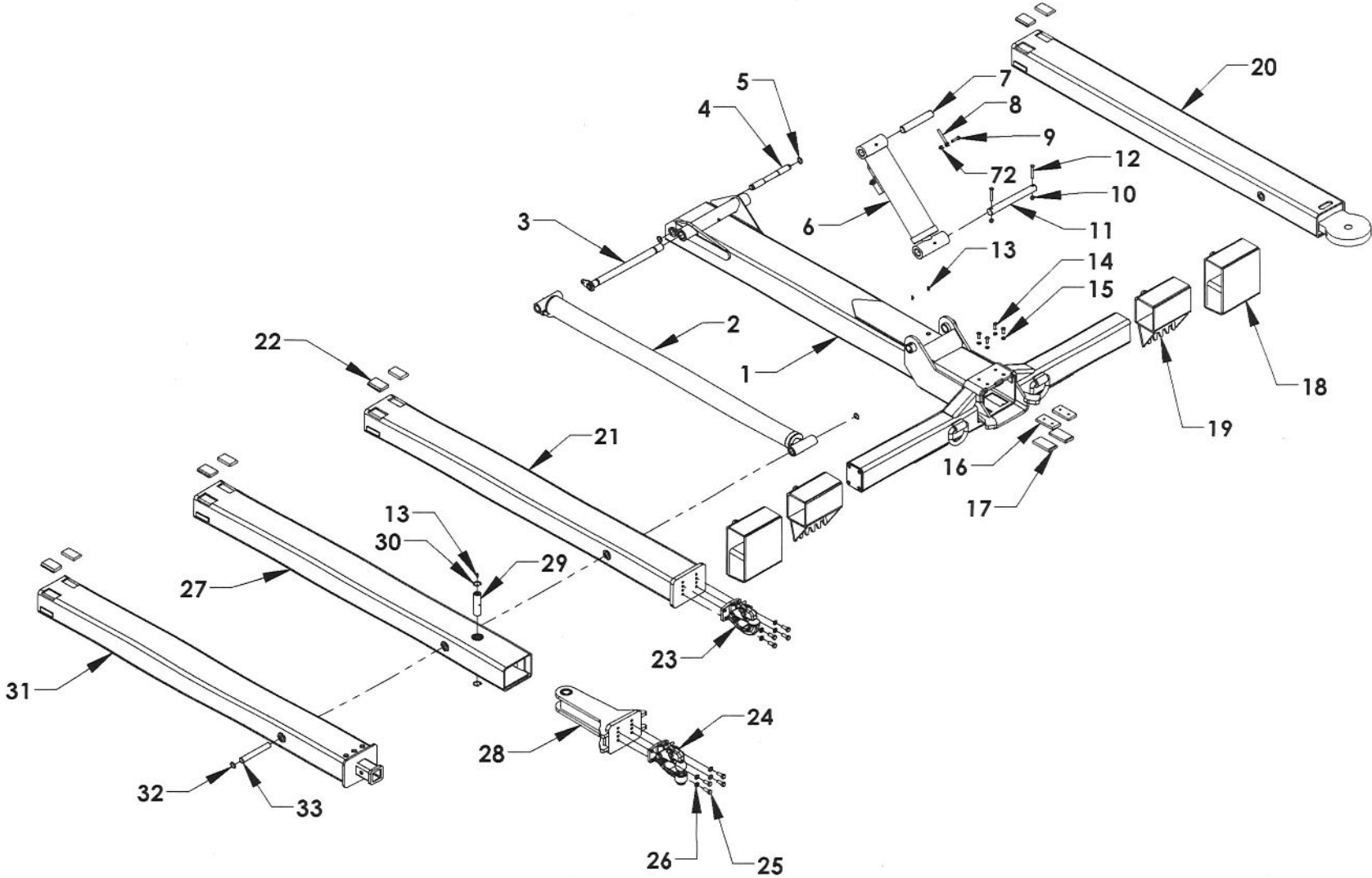
Section V - PARTS
**WHEEL-LIFT DROP-IN
 RELEASABLE L-ARMS**



REF. NO.	NO. REQ'D	PART NUMBER	DESCRIPTION
1	2	65285	WHEEL STRAP WITH D-RING - YELLOW
2	2	65280A	WHEEL LIFT RATCHET AND HOOK ASSEMBLY
3	1	65265R	WHEEL GRID - RIGHT
4	1	65265L	WHEEL GRID - LEFT
5	2	84921	T-PIN WITH LANYARD
6	1	65250R	4000 LB. L-ARM RIGHT
7	1	65250L	4000 LB. L-ARM LEFT
8	2	65245	REMOVABLE PAN
9	2	84911	5/16 SAFETY SNAP PIN

Section V - PARTS

3,000 LB. UNDERLIFTS
GEN 2 SERIES 10

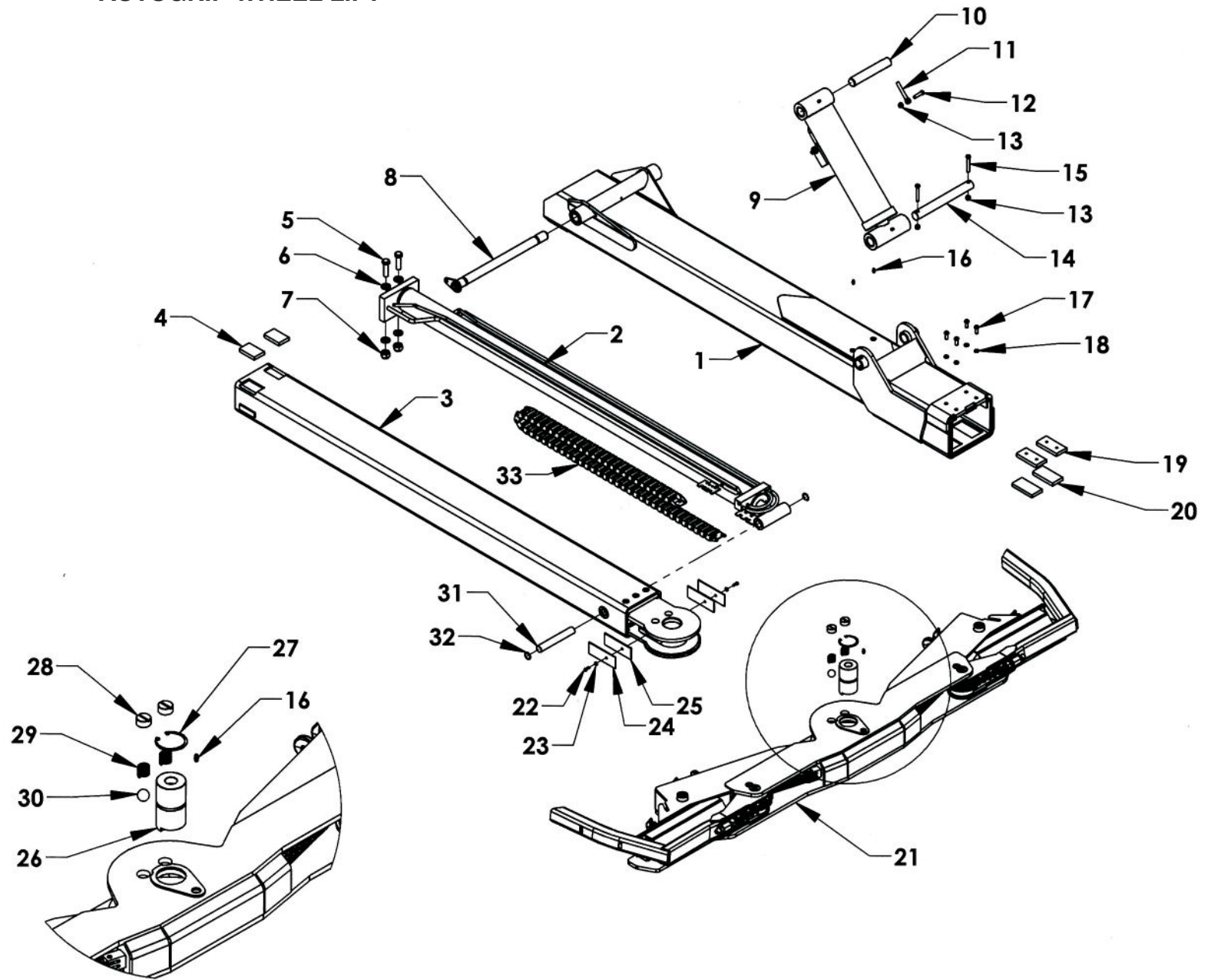


Section V - PARTS

3,000 LB. UNDERLIFT - GEN 2

REF. NO.	NO. REQ'D	PART NUMBER	DESCRIPTION
1	1	10240408DS	UNDERLIFT OUTER BOOM TUBE
2	1	72A30054	WL EXTEND CYLINDER 3.0 BORE x 54 STROKE
3	1	0809411U	WHEEL LIFT BOOM HINGE PIN
4	1	729352	PIN - WHEEL LIFT EXTEND CYLINDER BASE
5	2	86100E	SNAP RING 1' EXTERNAL
6	1	0308372-1175	DOCK STABILIZER CYL. 4.0 BORE x 11.75 STROKE
7	1	0750562	EURO SCL LIFT CYL MOUNTING PIN-BASE
8	1	84680	KEEPER PIN 3/8 ROD END
9	1	0400132	BOLT, HHCS 3/8-16 UNC x 1-1/2
10	3	0400392	NYLON LOCK NUT 3/8-16 UNC
11	1	0750523	WHEEL LIFT REAR MOUNTING PIN
12	2	0400150	BOLT, HHCS 3/8-16 UNC x 2-1/2
13	3	7B130	GREASE FITTING 1/4-28
14	4	0403139	BOLT, BHCS 3/8-16 UNC x 1
15	4	0400482	LOCK WASHER 3/8
16	4	63595H	WEAR PAD NYLATRON NSM 1/2 x 2 x 4 W/HOLES
17	4	63595	WEAR PAD NYLATRON NSM 1/2 x 2 x 4
18	2	0809898-54	DOCK STABILIZER EXTENSION STAND (OPT)
19	2	0809646-54	DOCK STABILIZER SPADE (OPT)
20	1	0811159	4K UNDERLIFT INNER BOOM TUBE
21	1	10244P	4K UNDERLIFT INNER PINTLE BOOM TUBE
22	2	65613	WEAR PAD 1/2 x 2 x 3 NSM BEVELED
23	1	A3020H	PINTLE HOOK
24	1	A3020	PINTLE BALL
25	4	0400177	BOLT, HHCS 1/2-13 UNC x 1-1/4
26	4	0400491	WASHER 1/2 LOCK
27	1	102404-PP	4K INNER BOOM-PIVOTING PINTLE
28	1	143355	PIVOTING PINTLE HEAD WELDMENT - 4K
29	1	143142PP	PIN - PIVOTING PINTLE HEAD 4K
30	2	86125I	SNAP RING 1-1/4 INTERNAL
31	1	10244R	4K INNER BOOM - REESE RECEIVER
32	2	86100I	SNAP RING 1" INTERNAL
33	1	72940	CYLINDER PIN

Section V- PARTS
AUTOGRIP WHEEL LIFT

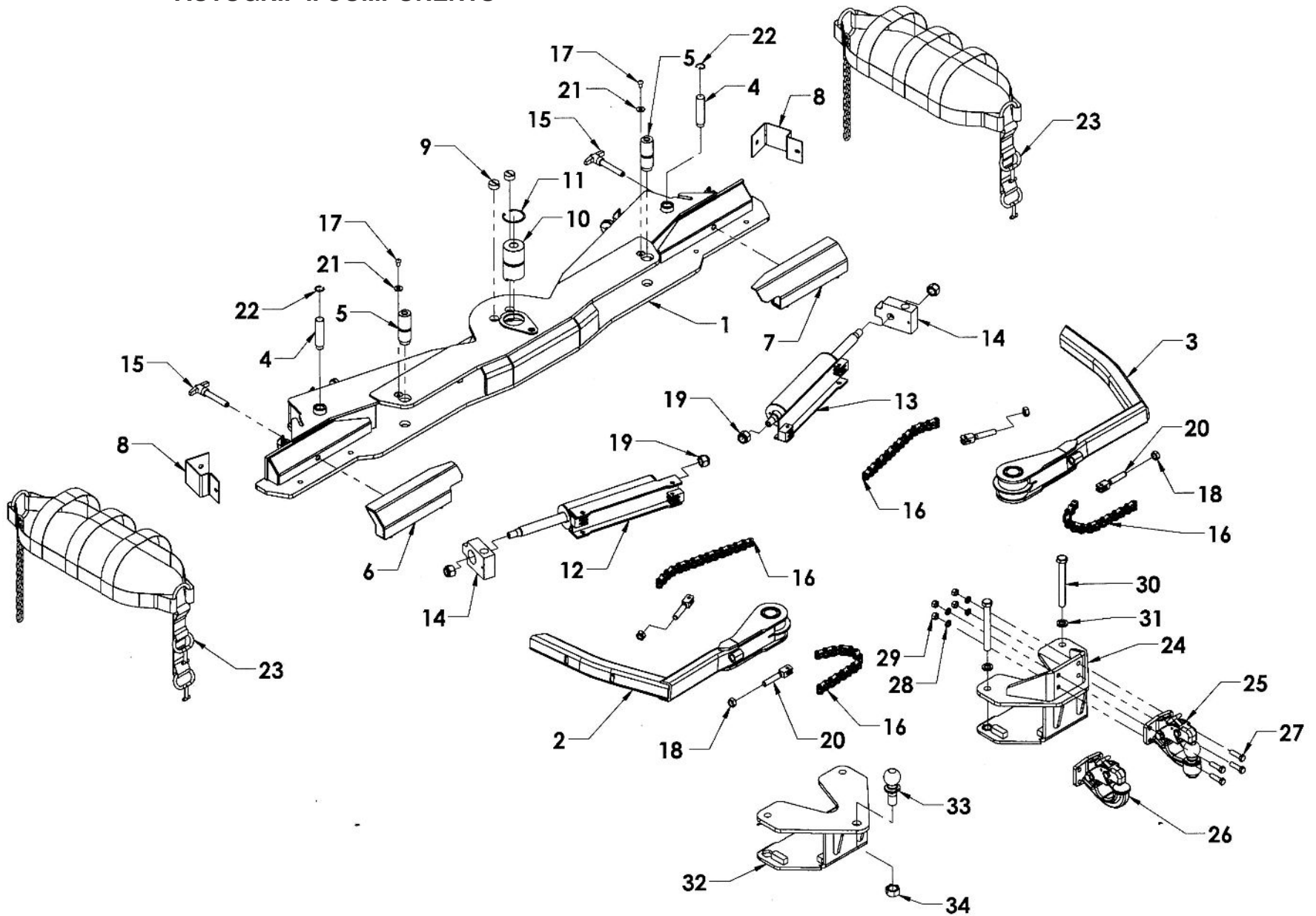


Section V - PARTS

3,000 LB. WHEEL LIFT SERIES 10 GEN 2 AUTOGRIP

REF. NO.	NO. REQ'D	PART NUMBER	DESCRIPTION
1	1	10240410	AUTOGRIP OUTER BOOM TUBE - 4K
2	1	72136	AUTOGRIP EXTEND CYL 3.0 BORE x 54 STROKE
3	1	102522	AUTOGRIP INNER BOOM WELDMENT
4	2	65612	WEAR PAD 1/2 x 2 x 3 NSM
5	2	0403141	BOLT, HHCS 5/8-11 UNC x 2-1/4
6	4	0400506	LOCK WASHER 5/8, Z
7	2	0400421	NUT 1/2-13 UNC NYLON LOCK
8	1	0809411U	WHEEL LIFT BOOM HINGE PIN
9	1	0308372-1175	DOCK STABILIZER CYLINDER 4 x 11.75
10	1	0750562	EURO SCL LIFT CYL. MOUNTING PIN-BASE
11	1	84680	KEEPER PIN 3/8 ROD END
12	1	0400132	BOLT 3/8-16 UNC x 1-1/2
13	1	0400392	NYLON LOCK NUT 3/8-16 ZP
14	1	0750523	WHEEL LIFT REAR MOUNTING PIN
15	2	0400150	BOLT, HHCS 3/8-16 UNC x 2-1/2
16	3	7B130	GREASE FITTING 1/4-28
17	4	0403139	BOLT BHCS 3/8-16 UNC x 1
18	4	0400482	LOCK WASHER 3/8
19	2	63595H	WEAR PAD NYLATRON NSM 1/2 x 2 x 4 W/HOLES
20	2	63595	WEAR PAD NYLATRON NSM 1/2 x 2 x 4
21	1	644002CG	AUTOGRIP CROSSBAR GEN 2
22	2	0403142	BOLT BHCS 1/4-20 UNC x 3/4
23	2	0400452	LOCK WASHER 1/4
24	2	64304C	HOSE CLAMP AUTOGRIP II YOKE
25	2	64304R	RUBBER GASKET FOR 64304C
26	1	644402	AUTOGRIP CROSSBAR PIVOT PIN GEN 2
27	1	862501	SNAP RING 2-1/2 INTERNAL
28	2	643272	AUTOGRIP DETENT SCREW GEN 2
29	2	69320	AUTOGRIP DETENT SPRING GEN 2
30	2	69325	AUTOGRIP DETENT BALL
31	1	72940	CYLINDER PIN 0.980 x 6-5/8
32	2	861001	SNAP RING 1" INTERNAL
33	1	69757	AUTOGRIP HOSE TRACK

Section V - PARTS
AUTOGRIP II COMPONENTS

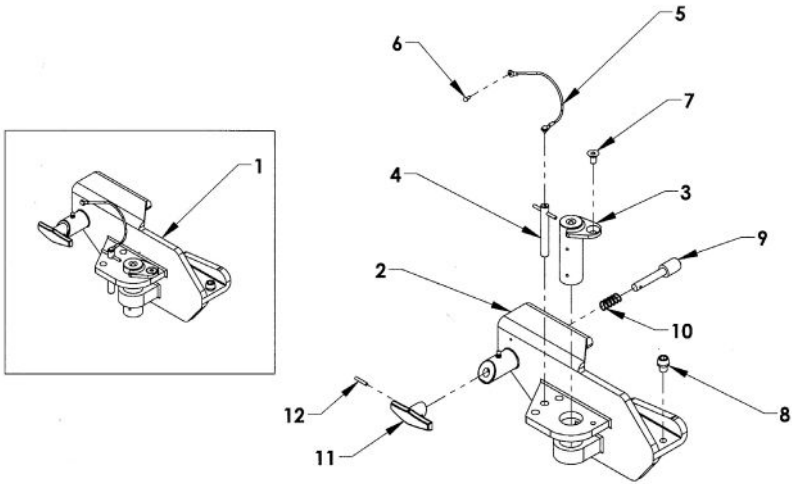


Section V - PARTS AUTOGRIP II COMPONENTS

REF NO.	NO REQ'D	PART NUMBER	DESCRIPTION
1	1	644002	CROSSBAR WELDMENT
2	1	644352	WHEEL RETAINER - LEFT
3	1	644352	WHEEL RETAINER - RIGHT
4	2	644432	WHEEL RETAINER CYLINDER PIN
5	2	644452	ARM PIVOT PIN
6	1	697402L	WHEEL SPACER - LEFT
7	1	697402R	WHEEL SPACER - RIGHT
8	2	644292	HOSE GUARD
9	2	64327	SCREW-PLUG CROSSBAR DETENT
10	1	644402	CROSSBAR PIN
11	1	862501	SNAP RING 2.500 INCH INTERNAL
12	2	720152L	WHEEL RETAINER CYLINDER - LEFT
13	2	720152R	WHEEL RETAINER CYLINDER - RIGHT
14	2	727162	L-ARM CYLINDER END BLOCK
15	2	84921	T-PIN 5/8 x 3
16	4	87440	AUTOGRIP ARM CHAIN
	4		5/16 x 1-1/4 SHOULDER SHCS 1/4-20 UNC
	4		1/4-20 UNC NYLON LOCK NUT
17	2		3/8 ALLEN BOLT
18	4		5/8 NYLON LOCK NUT
19	2	644432	3/4 NYLON LOCK NUT
20	4	64441	CHAIN CLEVIS
	4		5/16 x 1 SHOULDER SHCS 1/4-20 UNC
	4		1/4-20 UNC NYLON LOCK NUT
21	2		5/16 FLAT WASHER
22	2	861001	SNAP-RING 1.000 INCH INTERNAL
23	2	0902382	BASKET TIRE STRAP - SMALL-MEDIUM YELLOW
	2	65287	BASKET TIRE STRAP - MEDIUM-LARGE BLUE
24	1	694520	AUTOGRIP PINTLE ADAPTOR (OPTIONAL)
25	1	A3020	PINTLE BALL ATTACHMENT (OPTIONAL)
26	1	A3020H	PINTLE HOOK ATTACHMENT (OPTIONAL)
27	4		BOLT, HHCS 1/2-13 UNC x 1-3/4
28	4		LOCK WASHER, 1/2
29	4		HEX NUT 1/2-13 UNC
30	2		BOLT, HHCS 3/4-10 UNC x 6-1/2
31	2		LOCK WASHER 3/4
32	1	694510	AUTOGRIP TOWBALL ADAPTOR (OPTIONAL)
33	1		TOWBALL
34	1	83711	NUT - 1" NF RAMCO LOCK

Section V - PARTS

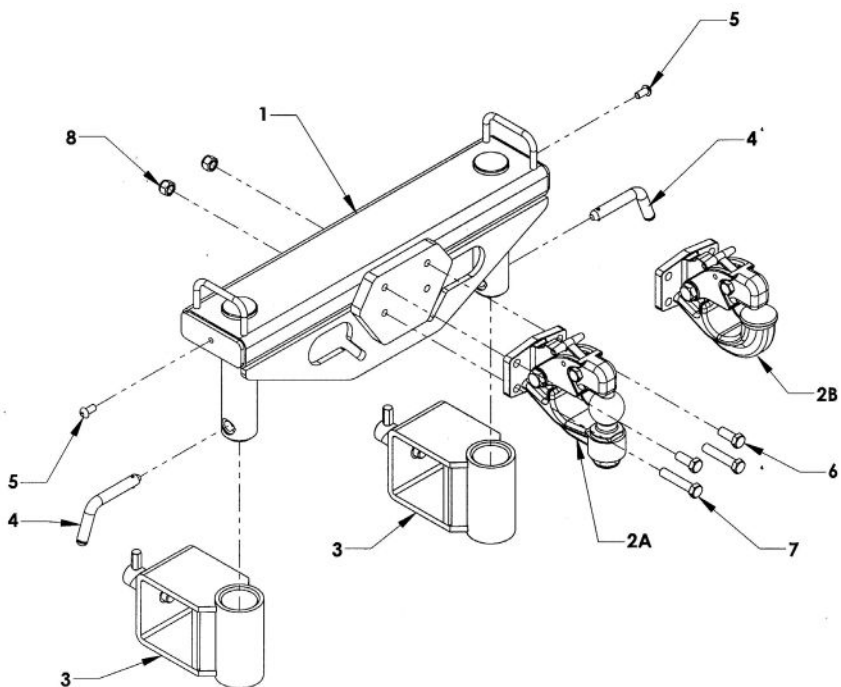
PIVOT L-ARM RECEIVER GROUP



REF. NO.	NO. REQ'D	PART NUMBER	DESCRIPTION
1	1	659820L	PIVOT L-ARM RECEIVER GROUP-LEFT
	1	659820R	PIVOT L-ARM RECEIVER GROUP-RIGHT (SHOWN)
2	1	659821L	PIVOT L-ARM RECEIVER CASTING - LEFT
	1	659821R	PIVOT L-ARM RECEIVER CASTING-RHT (SHOWN)
3	1	659822	L-ARM RECEIVER CASTING PIVOT PIN
4	1	659826	PIVOT LOCK PIN
5	1	659827	LANYARD
6	1	85016	RIVET
7	1	81225	FLAT HEAD SOCKET CAP SCREW 3/8-16 UNC x 1/2
8	1	81226	TAPERED SCOKET CAP SCREW 1/2-13 UNC x 1/2
9	1	659824	7/8 CAM PIN
10	1	89100	CAM PIN SPRING
11	1	659825	T-HANDLE
12	1	84675	ROLL PIN

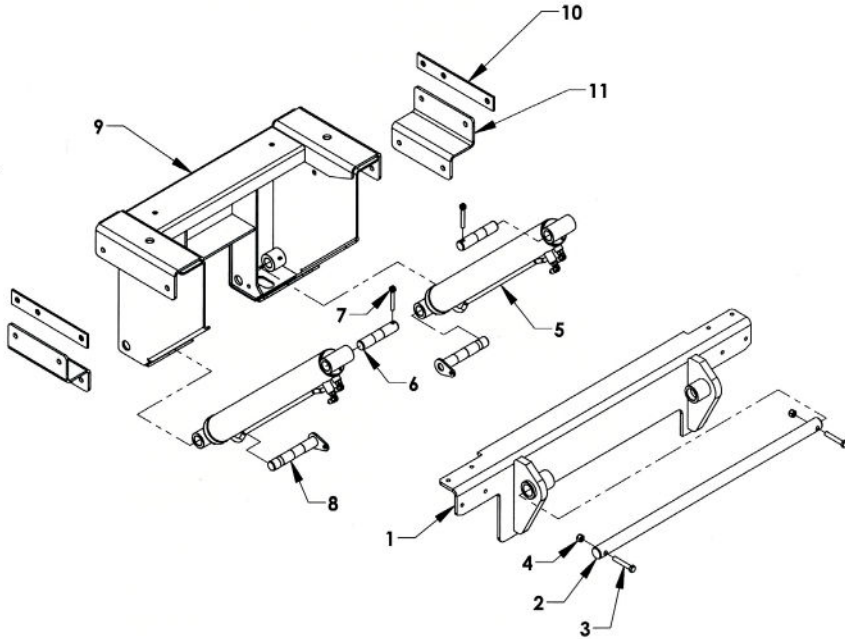
Section V - PARTS

PINTLE ATTACHMENT GROUP



REF	PART #	DESCRIPTION	QPU
1	66370W	PINTLE ATTACHMENT	1
2A	A3020	TOW BALL PINTLE HITCH	1
2B	A3020H	PINTLE HOOK	1
3	66280	FORK HOLDER - 4 IN. CROSSBAR	2
	65460	FORK HOLDER - 3-1/2 IN. CROSSBAR	2
4	66378	RETAINING PIN	2
5	812A6	3/8 X 5/8 BUTTONHEAD BOLT	4
	5A221	LANYARD	2
6	81428	BOLT 1/2-13 X 1.25 GRADE 8 SECURE WITH LOCTITE	2
7	81449	BOLT 1/2-13 x 2.5 GRADE 8	2
8	83312	1/2-13 NUT NYLOK	2

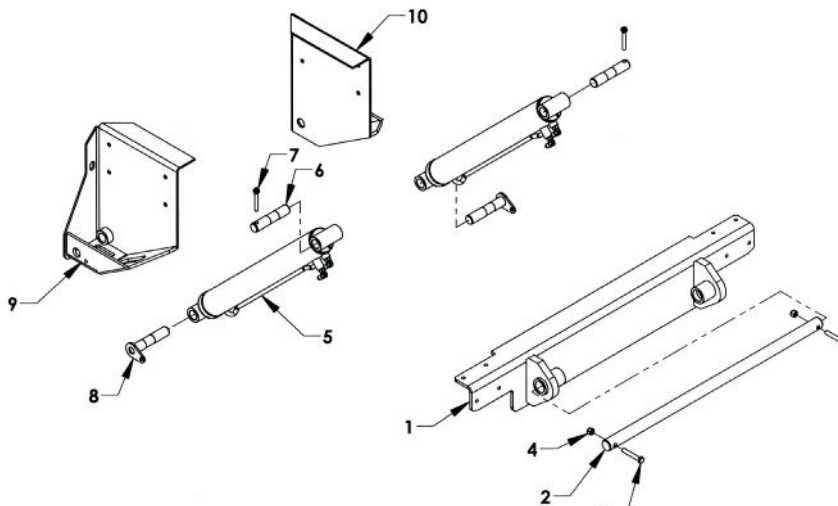
Section V - PARTS INBOARD TILT CYLINDERS



REF	PART #	DESCRIPTION	QPU
1	0809927	HINGE ANGLE SERIES 10 G2	1
2	0752164	SUBFRAME HINGE PIN SERIES 10 G2	1
3	-	BOLT, HHCS 1/2-20 UNF x 3	2
4	-	NYLON LOCK NUT 1/2-20 UNF	2
5	721092	TILT CYLINDER 3 x 23	2
6	13068	PIN-TILT CYLINDER BASE	2
7	84680	KEEPER PIN 3/8 ROD END	2
8	1A828A	INBOARD SADDLE TILT PIN	2
9	1A8002	INBOARD SADDLES 10/14	1
10	1A821S	SADDLE SHIM	2
11	1A925	INBOARD SADDLE UNDER-FRAME Z-BRACKET	2

Section V - PARTS

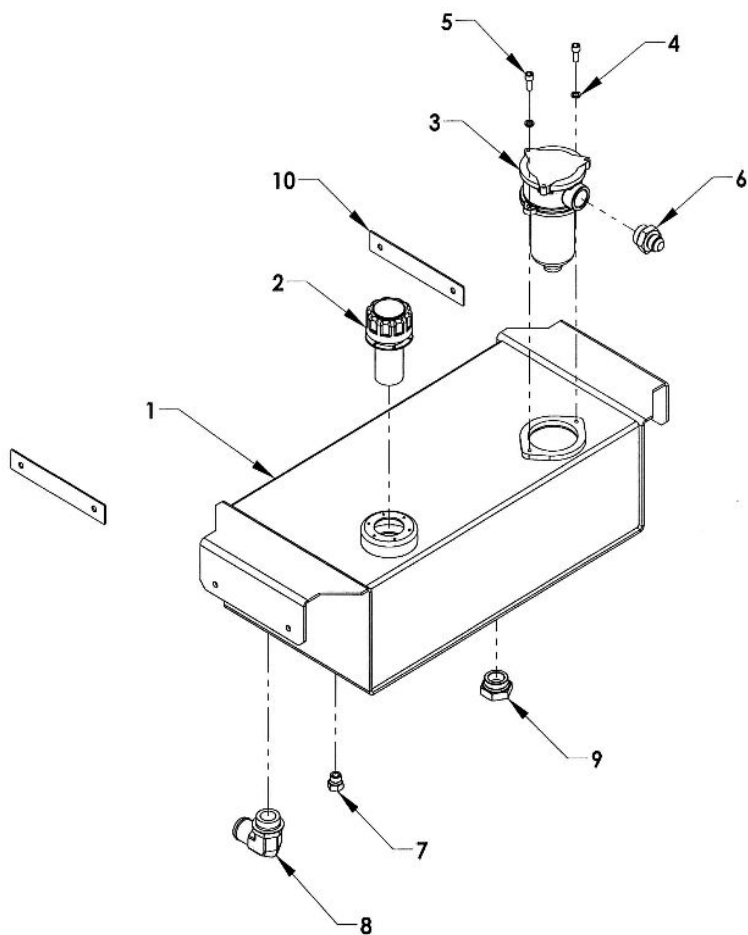
OUTBOARD TILT CYLINDERS



REF	PART #	DESCRIPTION	QPU
1	0809927-FD	SERIES 10 G2 HINGE ANGLE-FORD/DODGE	1
2	0752164	SERIES 10 G2 SUBFRAME HINGE PIN	1
3	-	BOLT, HHCS 1/2-20 UNF x 3	2
4	-	NYLON LOCK NUT 1/2-20 UNF	2
5	721092	TILT CYLINDER 3 x 23	2
6	13068	PIN - TILT CYLINDER BASE	2
7	84680	KEEPER PIN 3/8 ROD END	2
8	1A735	OUTBOARD TILT CYLINDER KEEPER PIN	2
9	1A730L	18 IN. OUTBOARD TILT SADDLE - LEFT	1
10	1A730R	18 IN. OUTBOARD TILT SADDLE - RIGHT	1

Section V - PARTS

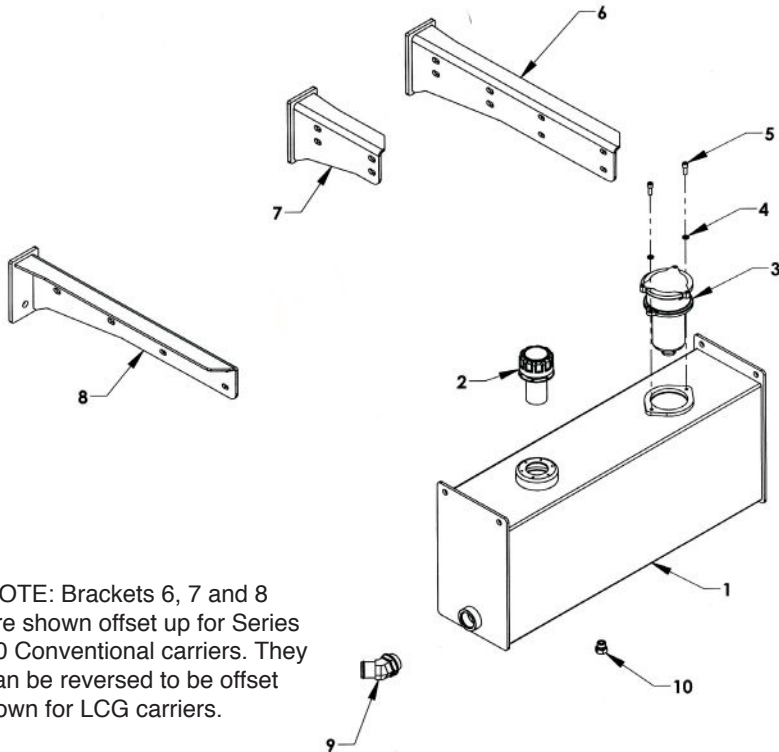
INBOARD OIL RESERVOIR GROUP



REF	PART #	DESCRIPTION	QPU
1	763100	INBOARD OIL RESERVOIR WELDMENT	1
2	76213	FILLER BREATHER CAP	1
3	76270	FILTER ASSEMBLY	1
	76271	REPLACEMENT FILTER ELEMENT	1
4		LOCK WASHER 5/16 ZINC PLATE	2
5		BH CAP SCREW 5/16-18 UNC x 7/8 SS	2
6	ADPTR202702-16x12	ADAPTOR 202702-16 x 12	1
7	ADPTR900598-8	ADAPTOR 900598-8 (DRAIN PLUG)	1
8	77C92	20 x 24 SUCTION HOSE FITTING 90 °	1
9	ADPTR900598-20	ADAPTOR 900598-20 (DRAIN PLUG)	1
10	763106	FRAME WIDTH SHIM	2

Section V - PARTS

12 GAL. OUTBOARD OIL TANK GROUP (CONVENTIONAL CARRIER)

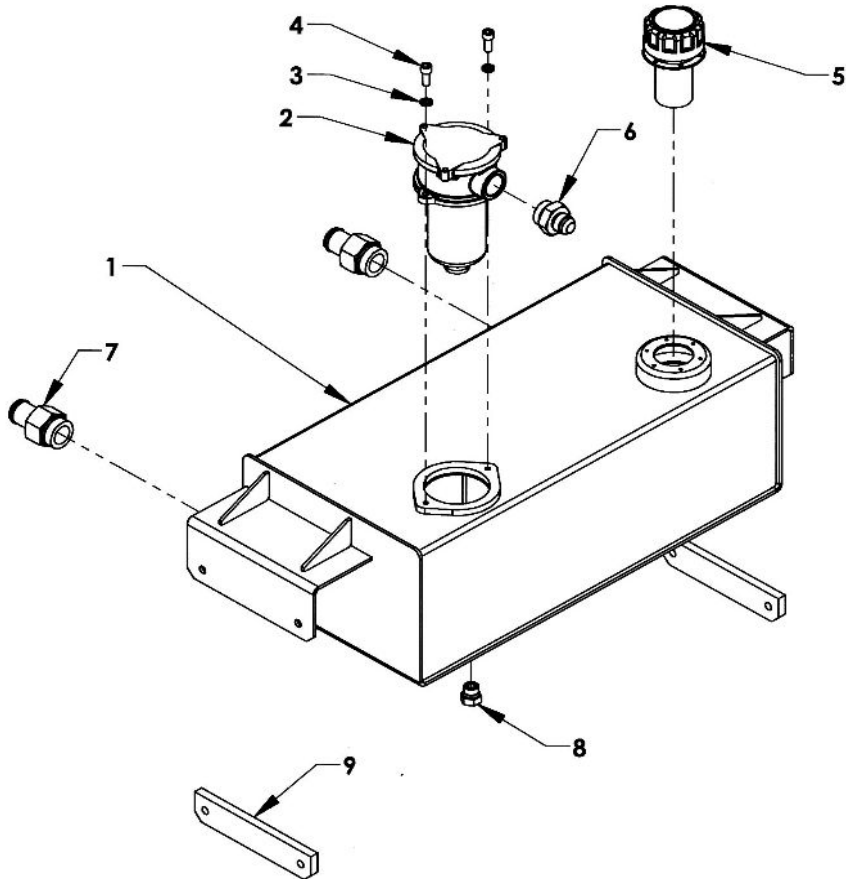


NOTE: Brackets 6, 7 and 8 are shown offset up for Series 10 Conventional carriers. They can be reversed to be offset down for LCG carriers.

REF	PART #	DESCRIPTION	QPU
1	762110	12 GAL. OUTBOARD OIL TANK WELDMENT	1
2	76213G	FILLER BREATHER CAP ASSEMBLY	1
3	76270	IN-TANK FILTER ASSEMBLY #16 SAE PORT	1
4	-	LOCK WASHER 5/16 ZINC PLATE	2
5	-	BHCS 5/16-18 UNC x 7/8 SS	2
6	37855R	TOOL BOX AND OIL TANK MTG. BRACKET - R	1
7	37858R	OIL TANK MOUNTING BRACKET - RIGHT	1
8	37855L	TOOL BOX AND OIL TANK MTG. BRACKET - L	1
9	ADPTR2061-20x24H	ADAPTOR 2061-20 x 24H (24 GPM)	1
	ADPTR2061-20x20H	ADAPTOR 2061-20 x 20H (15-18 GPM)	1
10	0403113	#8 O-RING PLUG-ADAPTOR 900898-8	1

Section V - PARTS

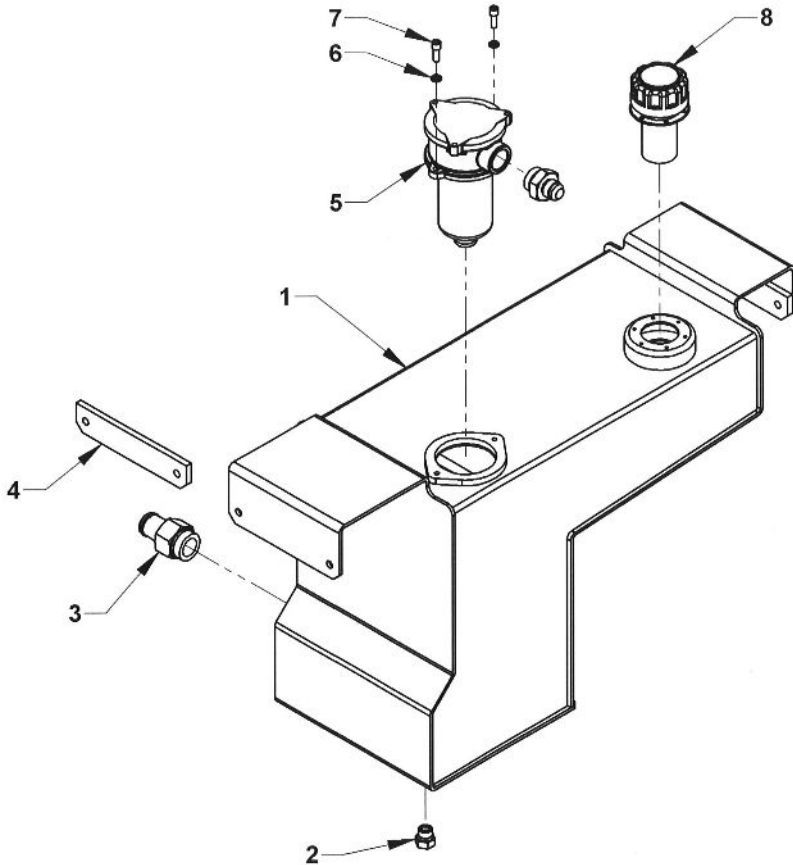
INBOARD OIL RESERVOIR GROUP TRANSFER FLOW FUEL TANK



REF	PART #	DESCRIPTION	QPU
1	0811131	INBOARD OIL TANK - TRANSFER FLOW	1
2	76270	IN-TANK FILTER ASSEMBLY #16 SAE PORT	1
3	LWSH075	LOCK WASHER 3/8	2
4	BOLT-CS-0375X0875	CAP SCREW 3/8-16 UNC x 7/8 SS	2
5	76213	FILLER/BREATHER CAP ASSEMBLY	1
6	ADPTR202702-16x12	ADAPTOR 202702-16 x 12	1
7	ADPTR202702-20X20H	ADAPTOR 900598-8 (DRAIN PLUG)	2
8	ADPTR900598-8	#8 O-RING PLUG	1
9	0752557-500	IB OIL TANK SHIM - 1/2 (DODGE CHASSIS)	2

Section V - PARTS

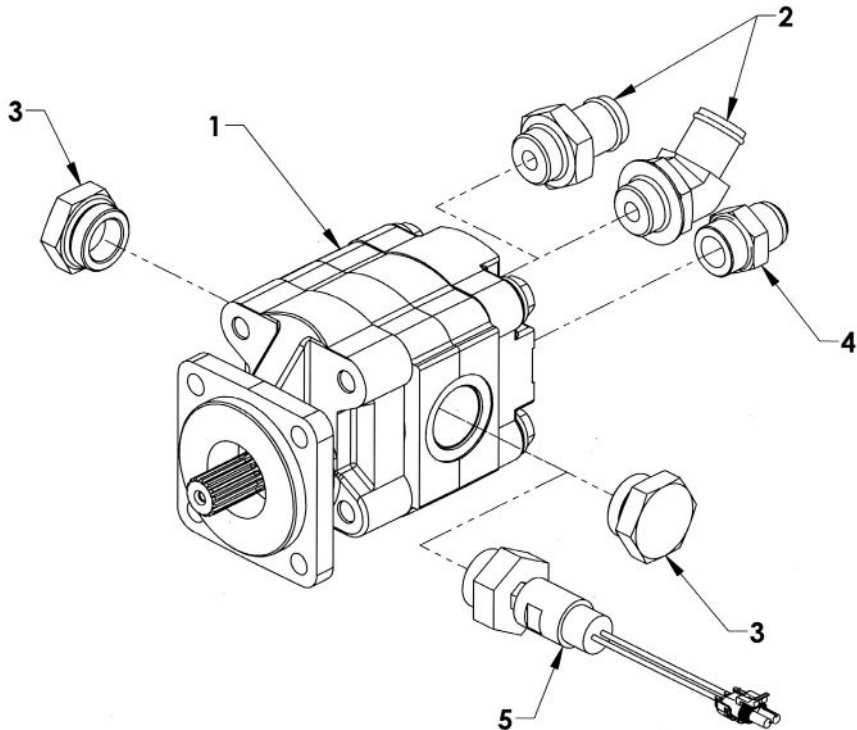
2017 FORD F550/DODGE 550 OIL RESERVOIR GROUP - 09003530



REF	QTY	PART #	DESCRIPTION
1	1	08003114	SERIES 10 G2 IBT OFFSET OIL TANK - 12 GAL
2	1	ADPTR909598-8	#8 O-RING PLUG
3	1	ADPTR202702-20x20H	STRAIGHT SUCTION HOSE FITTING 20 x 20
4	2	0752557-375	IBT OIL TANK SHIM - 3/8 (DODGE ONLY)
5	1	76270	IN-TANK FILTER ASSEMBLY #16 SAE PORT
	1	76271	REPLACEMENT FILTER ELEMENT
6	2	0400454	LOCK WASHER 5/16 ZP
7	2	0402030	BOLT SHCS 5/16-18 UNC x 7/8 SS
8	1	76213	FILLER BREATHER CAP

Section V - PARTS

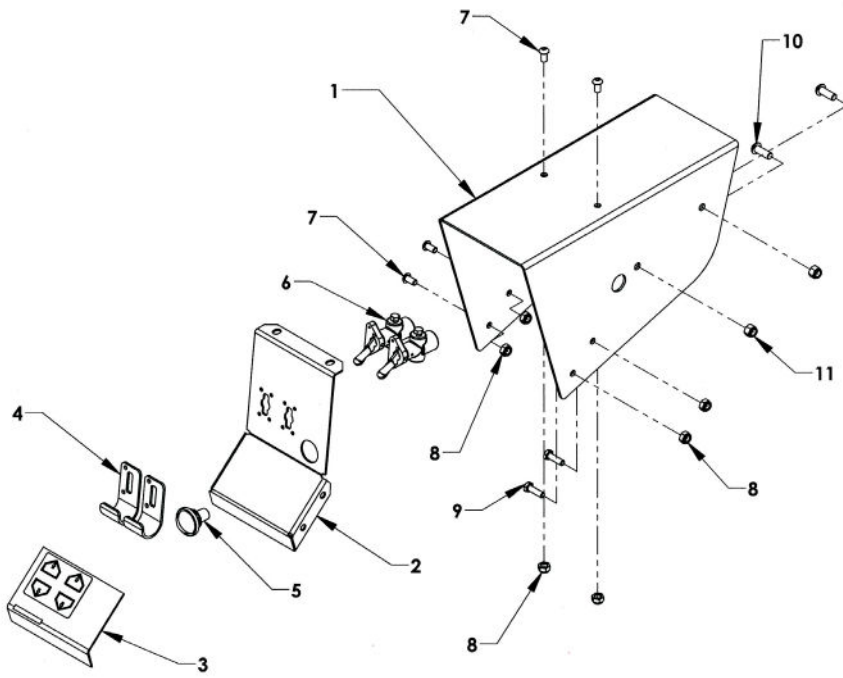
DIRECT MOUNT PUMP - 18 GPM



REF	PART #	DESCRIPTION	QPU
1	0320144	18 GPM , 1 IN.15 SPLINE SHAFT, SAE 4-BOLT FLANGE	1
2	S14604-20 x 16	#16-45 M O-RING x 1-1/4 M NIPPLE	1
	S14603- 20 x 26F	#16 M O-RING x 1-1/4 NIPPLE	1
3	77620	1-1/4 O-RING PLUG 900598-20	2
4	779A7	#16 M O-RING X 3/4 MJIC	1
5	0909434	PRESSURE TRANSDUCER (OPTIONAL)	1

Section V - PARTS

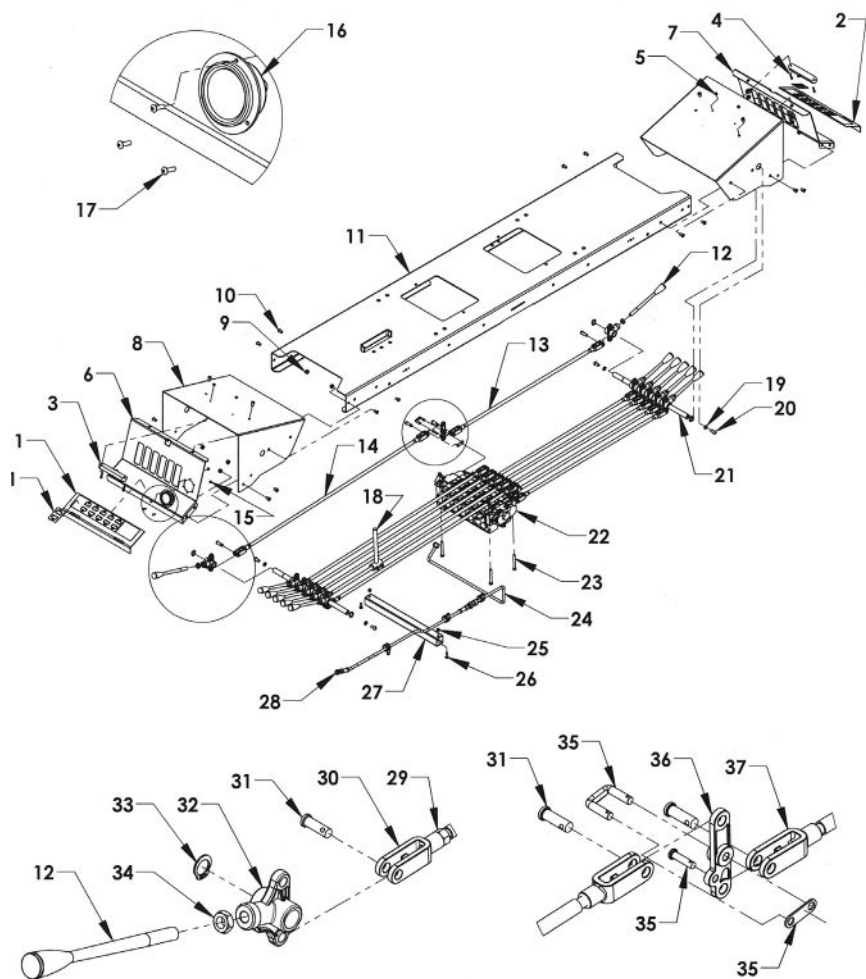
2 AIR VALVE CONTROL STATION



REF. NO.	NO. REQ'D	PART NUMBER	DESCRIPTION
1	1	18148	2-TOGGLE AIR VALVE CONTROL HOOD
2	1	18149L	2-TOGGLE AIR VALVE CONTROL PANEL - LEFT
	1	18148R	2-TOGGLE AIR VALVE CONTROL PANEL - RIGHT
3	1	18221L	2-TOGGLE AIR VALVE CONTROL PLACARD - LEFT
	1	18221R	2-TOGGLE AIR VALVE CONTROL PLACARD - RIGHT
4	2	18145	TOGGLE AIR VALVE GUARD
5	1	97300	CONTROL LIGHT
6	2	71716	TOGGLE AIR VALVE
7	4	-	BOLT BHCS 5/16-18 UNC x 5/8
8	6	-	NYLON LOCK NUT 5/16 UNC
9	2	-	BOLT HHCS 5/16-18 UNC x 1
10	2	-	BOLT BHCS 3/8-16 UNC x 1
11	2	-	NYLON LOCK NUT 3/8-16 UNC

Section V - PARTS

6-SPOOL CONTROL STATION



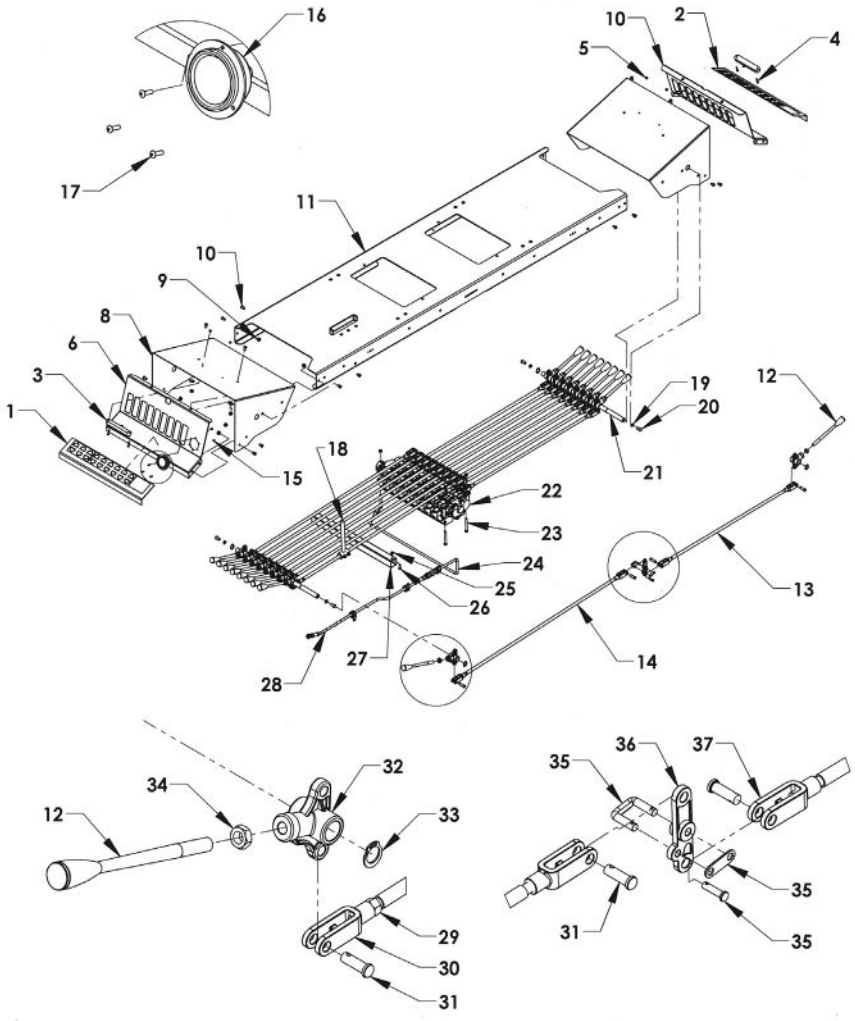
Section V - PARTS

6-SPOOL CONTROL STATION

REF. NO.	NO. REQ'D	PART NUMBER	DESCRIPTION
1	1	18212L	5 SPOOL/6 SPOOL CONTROL PLACARD-LEFT
		18237	CONTROL PLACARD AUTOGRIP OVERLAY
2	1	18212R	5 SPOOL/6 SPOOL CONTROL PLACARD-RIGHT
		18237	CONTROL PLACARD AUTOGRIP OVERLAY
3	2	0320162	LED CONTROL STATION LIGHT - 6 IN.
4	4	04000281	SCREW, PHILLIPS #6-32 UNC x 7/8
5	4	04000262	NYLON LOCK NUT #6-32 SS
6	1	0752652L	CONTROL PANEL - LEFT
7	1	0752652R	CONTROL PANEL - RIGHT
8	2	0752651	CONTROL HOOD
9	23	0400832	NYLON LOCK NUT 5/16-18 UNC
10	20	0403144	BHCS 5/16-18 UNC x 5/8
11	1	181286W	CONTROL BOX ARM WELDMENT - 79.5 IN
12	6	0320048-GY	CONTROL HANDLE 8" - GRAY
	2	0320048-RD	CONTROL HANDLE 8" - RED
	4	0320048-BL	CONTROL HANDLE 8" - BLUE
13	6	7A528W	CONTROL ROD 28-1/2
14	6	7A538W	CONTROL ROD 37-3/4
15	6	0403147	NYLON LOCK NUT #6-32 x 1
16	1	0320157	PRESSURE GAUGE HYDRAULIC - 2 IN.
17	6	04000282	SCREW PHILLIPS #6-32 x 1/2
18	1	0809904	ANTI-TILT CONTROL ROD WELDMENT
19	4	0402121	LOCK WASHER 3/8 SS
20	4	0400878	BHCS 3/8-16 UNC x 3/4
21	2	7A5753-17	CONTROL HANDLE CROSS ROD 3/4 x 17
22	1	74116	VALVE BODY GRESEN 6 SPOOL
23	3	81140	HHCS 5/16-18 UNC x 2-3/4
24	1	0752718-5	CONTROL STATION GAUGE FLUID TUBE - 5 SP
	1	0752718-6	CONTROL STATION GAUGE FLUID TUBE - 6 SP
25	2	0400367	NYLON LOCK NUT 1/4-20 UNC
26	2	0403142	HHCS 1/4-20 UNC x 3/4
27	1	18335	CONTROL STATION WIRE TUBE - 6 SPOOL
28	1	0320169	PRESSURE GAUGE HOSE
29	6	0400388	NUT 3/8-24 HF RH
30	12	84530	CLEVIS - RIGHT HAND THREAD
31	24	84620	CLEVIS PIN 3/8 x 1-1/8
32	12	7A1155	CONTROL HANDLE PIVOT BASE
33	4	86075E	SNAP RING 3/4 EXTERNAL
34	12	0400410	1/2-13 UN JAM NUT ZP
35	6	7A010	CLEVIS PIN AND LINK ASSEMBLY
36	6	7A121	BELL CRANK
37	12	84540	CLEVIS - LEFT HAND THREAD

Section V- PARTS

9-SPOOL CONTROL STATION



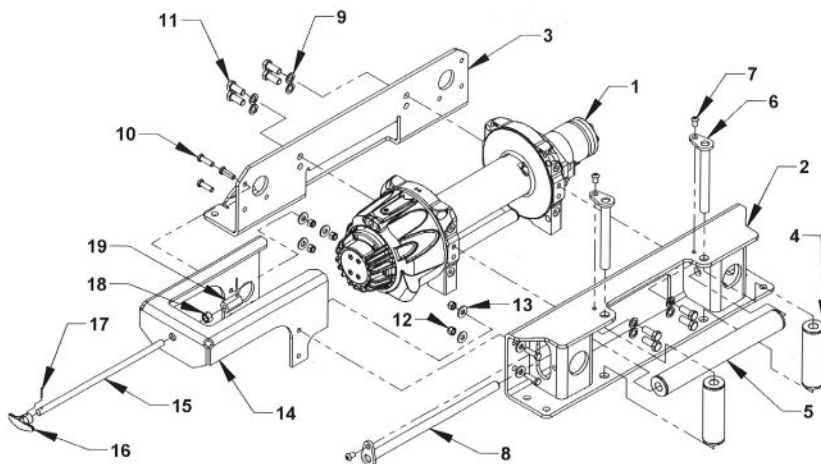
Section V - PARTS

9-SPOOL CONTROL STATION

REF. NO.	NO. REQ'D	PART NUMBER	DESCRIPTION
1	1	18219L	CONTROL PLACARD 4-CAR AUTOGRIP - LEFT
	1	18218L	CONTROL PLACARD 4-CAR CARRIER - LEFT
	1	18235L	CONTROL PLACARD DUAL DECK - LEFT
2	1	18219R	CONTROL PLACARD 4-CAR AUTOGRIP - RIGHT
	1	18218R	CONTROL PLACARD 4-CAR CARRIER - RIGHT
	1	18235R	CONTROL PLACARD DUAL DECK - RIGHT
3	2	0320162	LED CONTROL STATION LIGHT - 6 IN.
4	4	04000281	SCREW, PHILLIPS #6-32 UNC x 7/8
5	4	04000262	NYLON LOCK NUT #6-32 SS
6	1	0752654L	CONTROL PANEL - LEFT
7	1	0752654R	CONTROL PANEL - RIGHT
8	2	0752653	CONTROL HOOD
9	23	0400832	NYLON LOCK NUT 5/16-18 UNC
10	20	0403144	BHCS 5/16-18 UNC x 5/8
11	1	181289W	CONTROL BOX ARM WELDMENT - 79.5 IN
12	6	0320048-BL	CONTROL HANDLE 8" - BLUE
	4	0320048-RD	CONTROL HANDLE 8" - RED
	2	0320048-GR	CONTROL HANDLE 8" - GREEN
	6	0320048-GY	CONTROL HANDLE 8" - GRAY
	6	7A528W	CONTROL ROD 28-1/2
13	6	7A538W	CONTROL ROD 37-3/4
14	6	0403147	NYLON LOCK NUT #6-32 x 1
15	1	0320157	PRESSURE GAUGE HYDRAULIC - 2 IN.
16	6	04000282	SCREW PHILLIPS #6-32 x 1/2
17	1	0809904	ANTI-TILT CONTROL ROD WELDMENT
18	4	0402121	LOCK WASHER 3/8 SS
19	4	0400878	BHCS 3/8-16 UNC x 3/4
20	2	7A5753-20	CONTROL HANDLE CROSS ROD 3/4 x 20-3/4
21	1	74119	VALVE BODY GRESN 9 SPOOL
22	3	81140	HHCS 5/16-18 UNC x 2-3/4
23	1	0752718-7	CONTROL STATION GAUGE FLUID TUBE - 7 SP
	1	0752718-8	CONTROL STATION GAUGE FLUID TUBE - 8 SP
	1	0752718-9	CONTROL STATION GAUGE FLUID TUBE - 9 SP
24	2	0400367	NYLON LOCK NUT 1/4-20 UNC
25	2	0403142	HHCS 1/4-20 UNC x 3/4
26	1	18336	CONTROL STATION WIRE TUBE - 9 SPOOL
27	1	0320169	PRESSURE GAUGE HOSE
28	9	0400388	NUT 3/8-24 HF RH
29	18	84530	CLEVIS - RIGHT HAND THREAD
30	36	84620	CLEVIS PIN 3/8 x 1-1/8
31	18	7A1155	CONTROL HANDLE PIVOT BASE
32	4	86075E	SNAP RING 3/4 EXTERNAL
33	18	0400410	1/2-13 UN JAM NUT ZP
34	9	7A010	CLEVIS PIN AND LINK ASSEMBLY
35	9	7A121	BELL CRANK
36	18	84540	CLEVIS - LEFT HAND THREAD
37			

Section V - PARTS

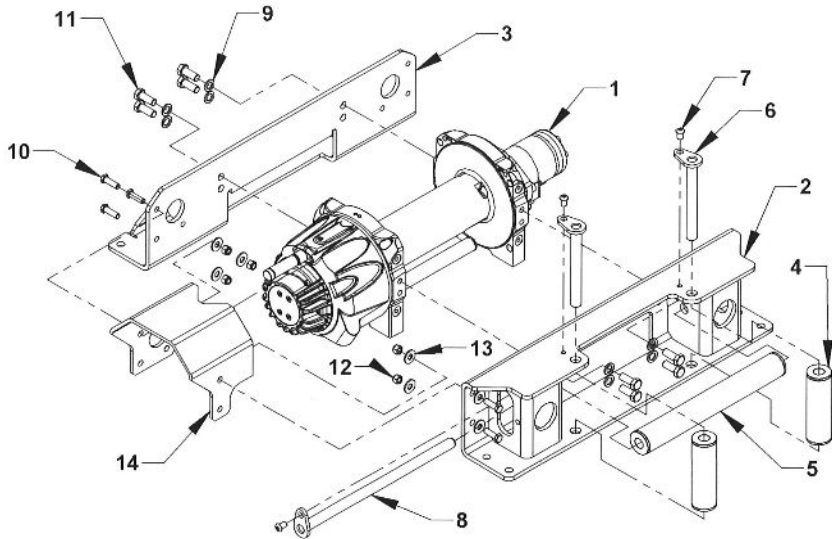
RAMSEY WINCH - 0940421-0810AM 8K SIERRA PLANETARY MANUAL SHIFT



REF. NO.	NO. REQ'D	PART NUMBER	DESCRIPTION
1	1	0320127-0810AM	RAMSEY SIERRA 8K PLANETARY WINCH
2	1	0940422	RAMSEY SIERRA ROLLER GUIDE ASSEMBLY
3	1	0811128	RAMSEY SIERRA FRONT MTG CHANNEL
4	2	0809640	ROLLER ASSEMBLY - 1.75 DIAMETER
5	1	A901520	ROLLER ASSEMBLY - 1.75 DIAMETER
6	2	0809641	ROLLER GUIDE KEEPER PIN
7	3	81206	BOLT 3/8-16 UNC x 5/8 BUTTON HEAD
8	1	A901525	ROLLER GUIDE KEEPER PIN
9	8	0400491	WASHER 1/2 LOCK
10	5	0400122	BOLT HHCS 3/8-16 UNC x 1-1/4
11	8	0400177	BOLT HHCS 1/2-13 UNC x 1-1/4
12	5	0400392	NYLON LOCK NUT 3/8-16 UNC
13	10	0400480	FLAT WASHER 3/8 SAE ZP
14	1	0752527	RAMSEY SIERRA T-HANDLE SUPPORT BRKT
15	1	0752684	RAMSEY SIERRA REMOTE CLUTCH ROD
16	1	RW336010	RAMSEY FREE SPOOL TEE HANDLE
17	2	84660	ROLL PIN 1/8 X 7/8
18	1	0400407	NUT HEX 1/2
19	1	71812	COUPLER-RAMSEY CLUTCH ROD EXTENSION

Section V - PARTS

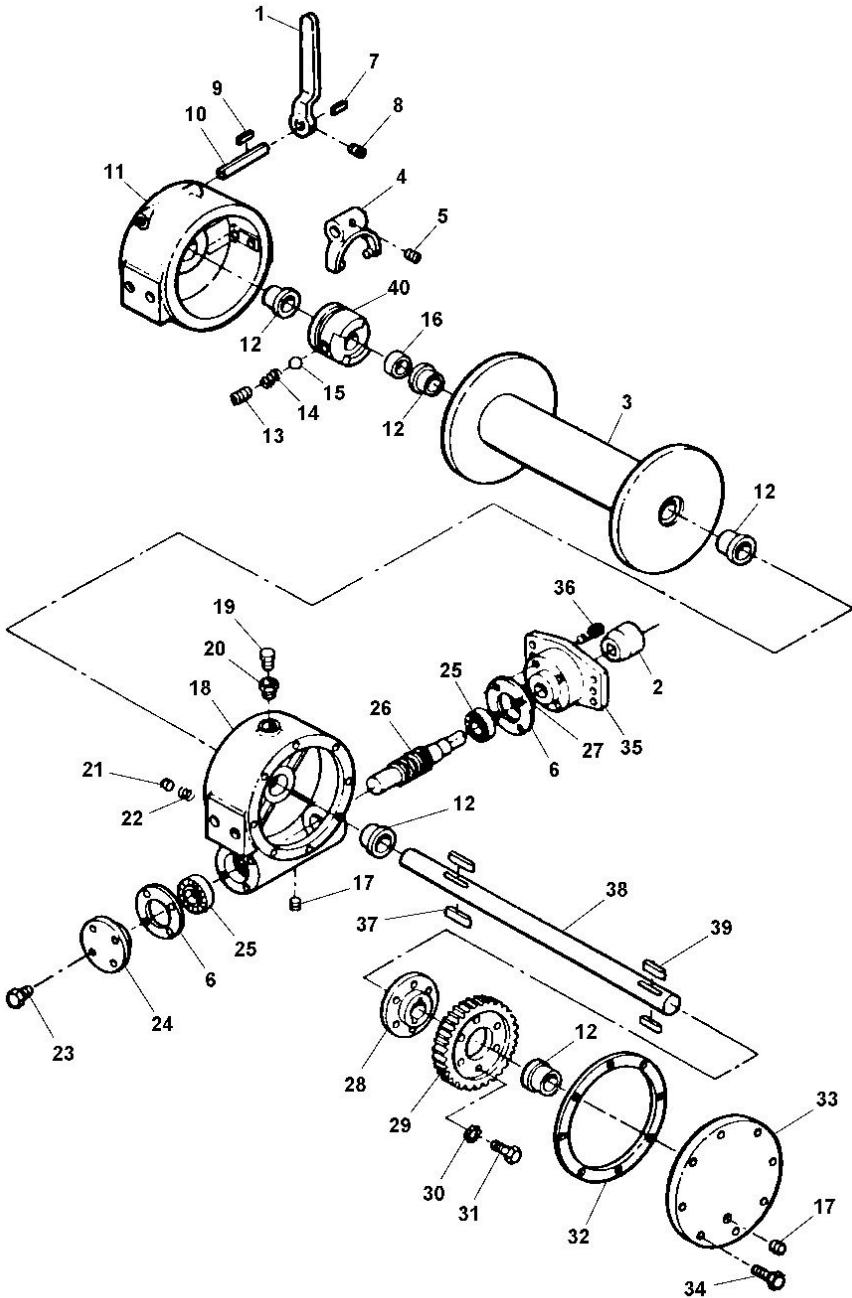
RAMSEY WINCH - 0940421-0810AA 8K SIERRA PLANETARY AIR SHIFT



REF. NO.	NO. REQ'D	PART NUMBER	DESCRIPTION
1	1	0320127-0810AA	RAMSEY SIERRA 8K PLANETARY WINCH
2	1	0940422	RAMSEY SIERRA ROLLER GUIDE ASSEMBLY
3	1	0811128	RAMSEY SIERRA FRONT MTG CHANNEL
4	2	0809640	ROLLER ASSEMBLY - 1.75 DIAMETER
5	1	A901520	ROLLER ASSEMBLY - 1.75 DIAMETER
6	2	0809641	ROLLER GUIDE KEEPER PIN
7	3	81206	BOLT 3/8-16 UNC x 5/8 BUTTON HEAD
8	1	A901525	ROLLER GUIDE KEEPER PIN
9	8	0400491	WASHER 1/2 LOCK
10	5	0400122	BOLT HHCS 3/8-16 UNC x 1-1/4
11	8	0400177	BOLT HHCS 1/2-13 UNC x 1-1/4
12	5	0400392	NYLON LOCK NUT 3/8-16 UNC
13	10	0400480	FLAT WASHER 3/8 SAE ZP
14	1	070005433	RAMSEY SIERRA AIR CYLINDER GUARD

Section V - PARTS

RAMSEY 234 HYDRAULIC WINCH



Section V - PARTS

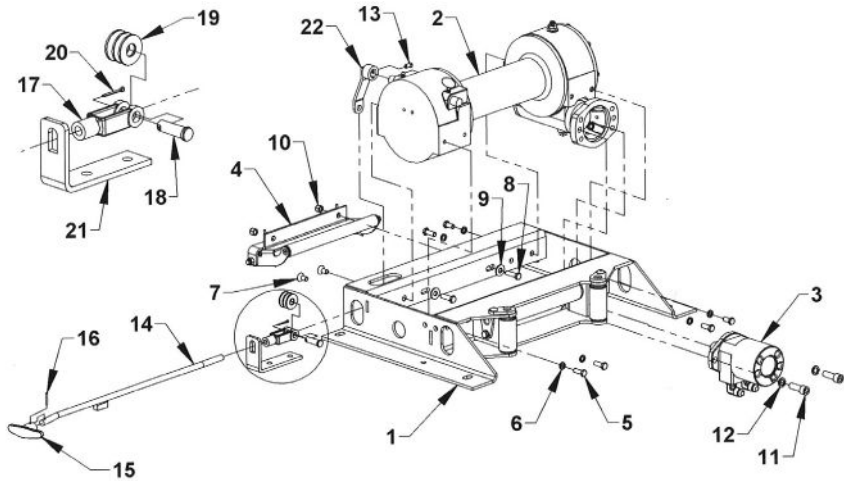
RAMSEY 234 HYDRAULIC WINCH

REF. NO.	NO. REQ'D	PART NUMBER	DESCRIPTION
1	1	0300261	LEVER
2	1	0300290	COUPLING
3	1	0300381	DRUM
4	1	0300398	YOKE
5	1	0300399	SCREW
6	2	0300447	GASKET
7	1	0300448	KEY
8	1	0300449	SCREW
9	1	0300450	KEY
10	1	0300451	SHAFT
11	1	0300452	CLUTCH HOUSING
12	5	0300453	BUSHING
13	1	0300454	SCREW
14	1	0300455	SPRING
15	1	0300456	BALL
16	1	0300458	SPACER
17	2	0300459	PLUG
18	1	0300460	HOUSING
19	1	0300461	PLUG
20	1	0300462	REDUCER
21	1	0300463	DRAG BRAKE
22	1	0300464	SPRING
23	16	0300465	SCREW
24	1	0300466	CAP
25	2	0300467	BEARING
26	1	0300468	WORM
27	1	0300471	SEAL
28	1	0300472	HUB
29	1	0300473	GEAR
30	6	0300474	WASHER
31	6	0300475	SCREW
32	1	0300476	GASKET
33	1	0600477	COVER
34	4	0300569	SCREW
35	1	0300694	CAP ADAPTER
36	1	0300695	SCREW
37	2	--	KEY
38	1	--	SHAFT
39	2	--	KEY
40	1	--	CLUTCH
41	1	0308608	TORSION SPRING
*	1	0308698	4 TON WORM WINCH ASSEMBLY

* When ordering specify winch serial number.

Section V - PARTS

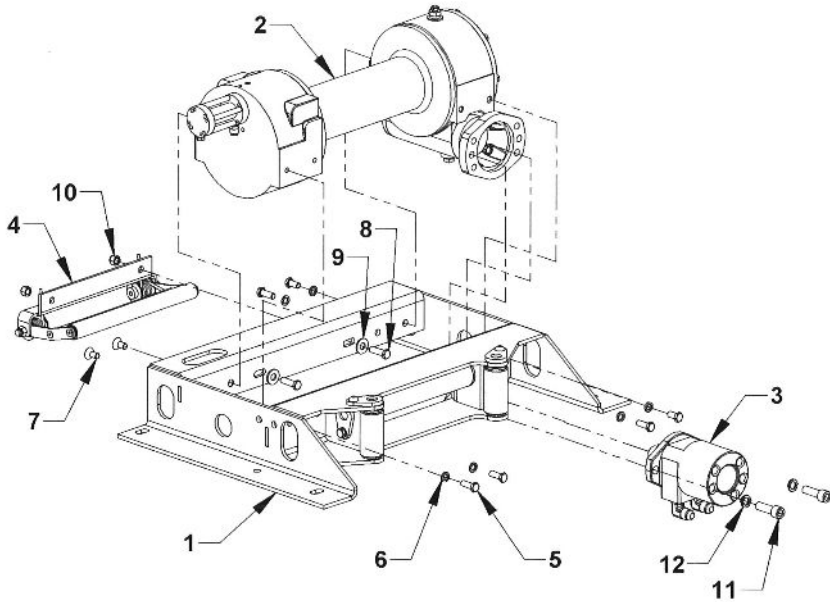
RAMSEY HD234 MANUAL-SHIFT WINCH GROUP W/SINGLE CLUTCH CONTROL ROD ASSEMBLY (UNDERWIND)



REF. NO.	NO. REQ'D	PART NUMBER	DESCRIPTION
1	1	0940425	RAMSEY HD234 WINCH MTG FRAME-GEN2
2	1	0300250	RAMSEY WINCH HD234 LEVER LOCK MANUAL SHIFT
3	1	0320147	WINCH MOTOR 5 CUBIC INCH
4	1	0320137	RAMSEY ROLLER TENSIONER-HD234
5	6	0400126	BOLT- HHCS 3/8-16 UNC x 1 ZP
6	6	0400482	LOCK WASHER 3/8 ZP
7	2	0403093	BOLT FHSCS 3/8-16 x 3/4 GRB
8	2	0403154	BOLT HHCS 3/8-16 x 1-1/4 ZP
9	2	0400480	FLAT WASHER 3/8 ZP
10	2	0400392	NUT NYLOCK 3/8-16 ZP
11	2	0400238	BOLT SHCS 1/2-13 x 1-1/2 GRB
12	2	0400491	LOCK WASHER 1/2 ZP
13	1	0400116	SET SCREW SQHD 5/16-18 x 1/2 ZP
14	1	0805170	RAMSEY WINCH CLUTCH CONTROL ROD
15	1	0301532	MILLER T-HANDLE
16	1	0400560	ROLL PIN 5/32 x 1
17	1	0301588	ADJUSTABLE YOKE
18	1	0400537	CLEVIS PIN 1/2 x 1-1/2 ZP
19	3	0400492	WASHER 1/2 FLAT
20	1	0400540	COTTER PIN 3/32 x 1
21	1	0710918	RAMSEY CLUTCH HANDLE MOUNTING ANGLE
22	1	0505151	BELL CRANK ARM

Section V - PARTS

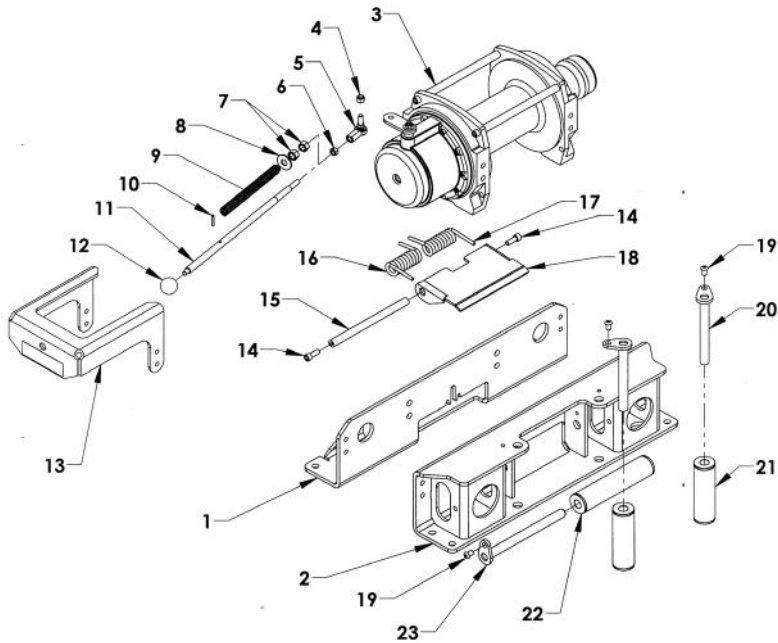
RAMSEY HD234 AIR-SHIFT WINCH GROUP



REF. NO.	NO. REQ'D	PART NUMBER	DESCRIPTION
1	1	0940425	RAMSEY H234 WINCH MTG FRAME-GEN2
2	1	0308535	RAMSEY WINCH H234 AIR SHIFT
3	1	0320147	WINCH MOTOR 5 CUBIC INCH
4	1	0320137	RAMSEY ROLLER TENSIONER-HD234
5	6	0400126	BOLT- HHCS 3/8-16 UNC x 1 ZP
6	6	0400482	LOCK WASHER 3/8 ZP
7	2	0403093	BOLT FHSCS 3/8-16 x 3/4 GRB
8	2	0403154	BOLT HHCS 3/8-16 x 1-1/4 ZP
9	2	0400480	FLAT WASHER 3/8 ZP
10	2	0400392	NUT NYLOCK 3/8-16 ZP
11	2	0400238	BOLT SHCS 1/2-13 x 1-1/2 GRB
12	2	0400491	LOCK WASHER 1/2 ZP

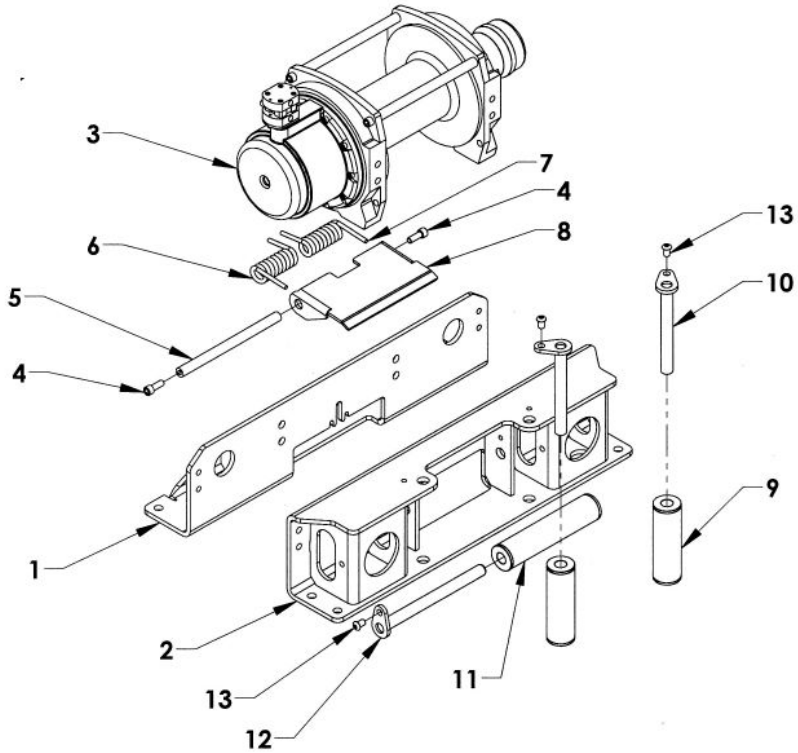
Section V- PARTS

WARN WINCH - MANUAL FREE SPOOL



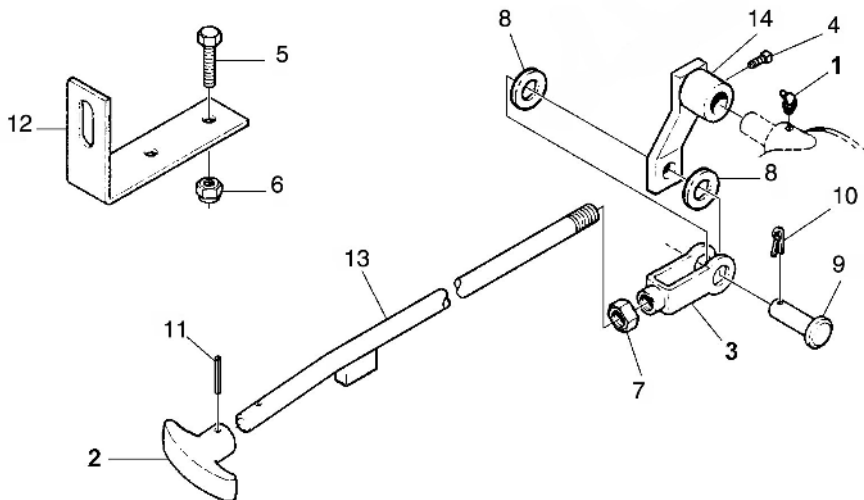
REF. NO.	NO. REQ'D	PART NUMBER	DESCRIPTION
1	1	0809644	MTG FRAME WELDMENT - FRONT
2	1	0809639	MTG FRAME WLDMNT - ROLLER GUIDE REAR
3	1	0308936-0908AM	WINCH 9K, 8 IN. DRUM MANUAL SHIFT
	1	0308936-1208AM	WINCH 12K, 8 IN. DRUM MANUAL SHIFT
4	1		NYLON LOCK NUT 3/8-16 UNC
5	1	718732	ROD END BEARING
6	1		HEX NUT 3/8-16 UNC
7	2		HEX NUT 1/2-13 UNC
8	1		FLAT WASHER 1/2
9	1	71875	WINCH SPRING
10	1		SPLIT PIN 3/16 x 1
11	1	71873	WINCH CLUTCH ROD
12	1	718731	WINCH CLUTCH ROD KNOB
13	1	0751267	WINCH - MANUAL FREE SPOOL BRACKET
14	2		BOLT, SHCS 3/8-16 UNC x 1
15	1	0751337	TENSION PLATE PIVOT ROD
16	1	71W73827	TENSION SPRING
17	1	71W73826	TENSION SPRING
18	1	0751268	TENSION PLATE
19	3		BOLT, BHCS 3/8-16 UNC x 5/8
20	2	0809641	ROLLER GUIDE KEEPER PIN
21	2	0809640	ROLLER GUIDE BUSHING 1.75 x 7.875
22	1	A9R281	ROLLER GUIDE BUSHING 1.75 x 5.625
23	1	A902095	ROLLER GUIDE KEEPER PIN

Section V - PARTS
WARN WINCH - AIR FREE SPOOL



REF. NO.	NO. REQ'D	PART NUMBER	DESCRIPTION
1	1	0809644	MTG FRAME WELDMNT - FRONT
2	1	0809639	MTG FRAME WLDMNT - ROLLER GUIDE REAR
3	1	0308936-0908AA	WARN WINCH, 9K, 8 IN. DRUM, AIR SHIFT
	1	0308936-1208AA	WARN WINCH - 12K, 8 IN. DRUM, AIR SHIFT
4	1	-	BOLT, SHCS 3/8-16 UNC x 1
5	1	0751337	WARN TENSION PLATE PIVOT ROD
6	1	71W73827	WARN TENSION SPRING
7	2	71W73826	WARN TENSION SPRING
8	1	0751268	WARN TENSION PLATE
9	1	0809640	ROLLER GUIDE BUSHING 1.75 x 7.875
10	1	0809641	ROLLER GUIDE KEEPER PIN
11	1	A9R281	ROLLER GUIDE BUSHING 1.75 x 5.625
12	1	A902095	ROLLER GUIDE KEEPER PIN
13	1	-	BOLT, BHCS 3/8-16 UNC x 5/8

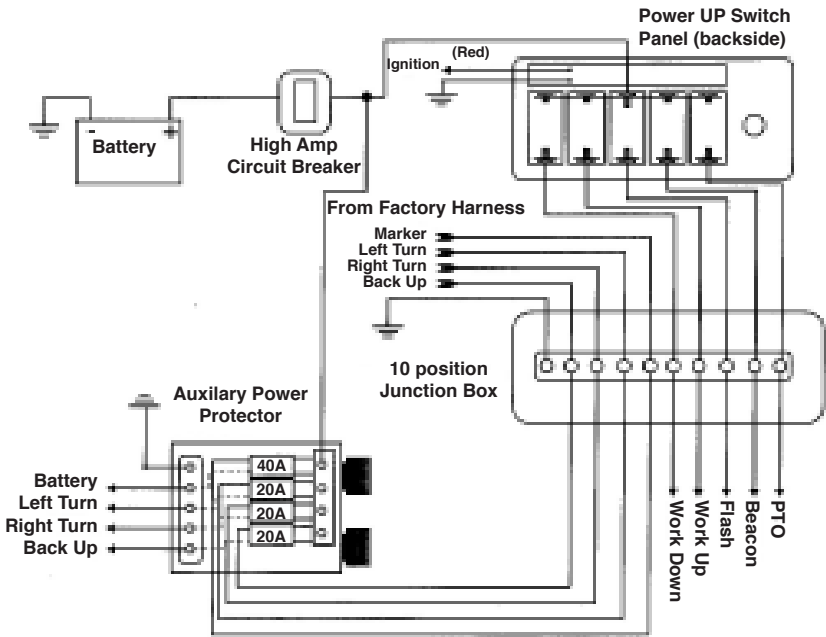
Section V - PARTS WINCH CLUTCH CONTROL



REF. NO.	NO. REQ'D	PART NUMBER	DESCRIPTION
1	1	0301397	GREASE FITTING, 90°
2	1	0301532	"T" HANDLE
3	1	0301588	ADJUSTING YOKE
4	1	0400116	SCREW, 5/16"-18 x 1/2" SQ HD SET
5	2	0400126	SCREW, 3/8"-16 x 1" HEX HD CAP
6	2	0400392	NUT, 3/8"-16 NYLOK
7	1	0400410	NUT, 1/2"-13 JAM
8	4	0400492	WASHER, 1/2" FLAT
9	1	0400537	PIN, 1/2" x 1-1/2" CLEVIS
10	1	0400546	PIN, 1/8" x 1-1/4" COTTER
11	2	0400560	PIN, 5/32" x 1" ROLL
12	1	0710918	MOUNTING ANGLE
13	1	0805170	CONTROL ROD
14	1	0805151	BELL CRANK

Section V - PARTS

OPTIONAL DASHBOARD PANEL

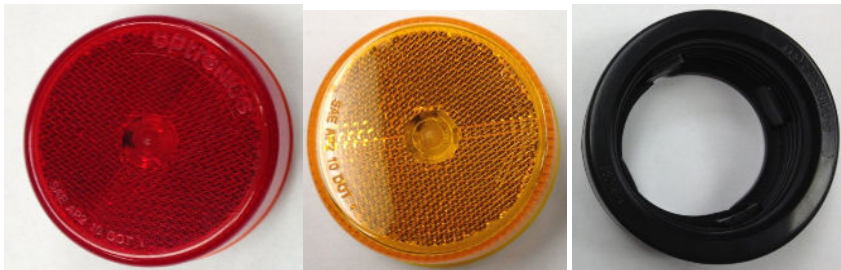


Section V - PARTS

LIGHT KIT



REF. NO.	PART NUMBER	DESCRIPTION
1	0311498	LIGHT 6" OVAL RED LED - STOP/TURN
2	0311500	LIGHT 6" OVAL REVERSE LED
3	3011503	LIGHT 6" GROMMET



REF. NO.	PART NUMBER	DESCRIPTION
1	0311512	LIGHT 2.5" RED REFLEX LED (MCL59RB)
2	0311513	LIGHT 2.5" AMBER REFLEX LED (MCL59AB)
3	0311516	LIGHT 2.5" GROMMET

Section V - PARTS

LIGHT KIT



REF. NO.	PART NUMBER	DESCRIPTION
1	0311514	LIGHT 2.5" ROUND CLEAR/RED LED MARKER LIGHT
2	0311515	LIGHT 2.5" ROUND CLEAR/AMBER LED MARKER LIGHT
3	3011516	LIGHT 2.5" GROMMET



REF. NO.	PART NUMBER	DESCRIPTION
1	97300	CONTROL STATION LIGHT

Section V - PARTS

LIGHT KIT



REF. NO.	PART NUMBER	DESCRIPTION
1	0311519	RED 3/4 LED ICC LIGHT



REF. NO.	PART NUMBER	DESCRIPTION
1	0311520	RED 3/4 LED LIGHT

Section V - PARTS

LIGHT KIT



REF. NO.	PART NUMBER	DESCRIPTION
1	0311521	AMBER 3/4 ROUND LED LIGHT



REF. NO.	PART NUMBER	DESCRIPTION
1	0311522	CLEAR/RED 3/4 ROUND LED LIGHT



REF. NO.	PART NUMBER	DESCRIPTION
1	0311523	CLEAR/AMBER 3/4 ROUND LED LIGHT

Section V - PARTS

LIGHT KIT



REF. NO.	PART NUMBER	DESCRIPTION
1	0308359	MARKER LIGHT RED REFLEX LED



REF. NO.	PART NUMBER	DESCRIPTION
1	0308360	MARKER LIGHT AMBER REFLEX LED

Section V - PARTS

LIGHT KIT



REF. NO.	PART NUMBER	DESCRIPTION
1	0312578	MILLENNIUM MARKER LIGHT CLEAR/AMBER



REF. NO.	PART NUMBER	DESCRIPTION
1	0312579	MILLENNIUM MARKER LIGHT CLEAR/RED

Section V - PARTS

LIGHT KIT



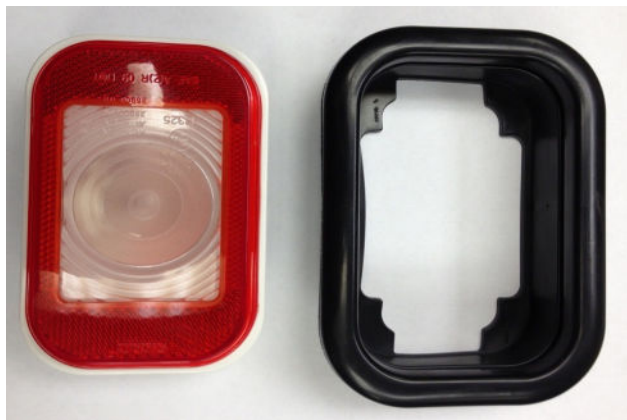
REF. NO.	PART NUMBER	DESCRIPTION
1	0308491	REFLECTOR - AMBER



REF. NO.	PART NUMBER	DESCRIPTION
1	0308490	REFLECTOR - RED

Section V - PARTS

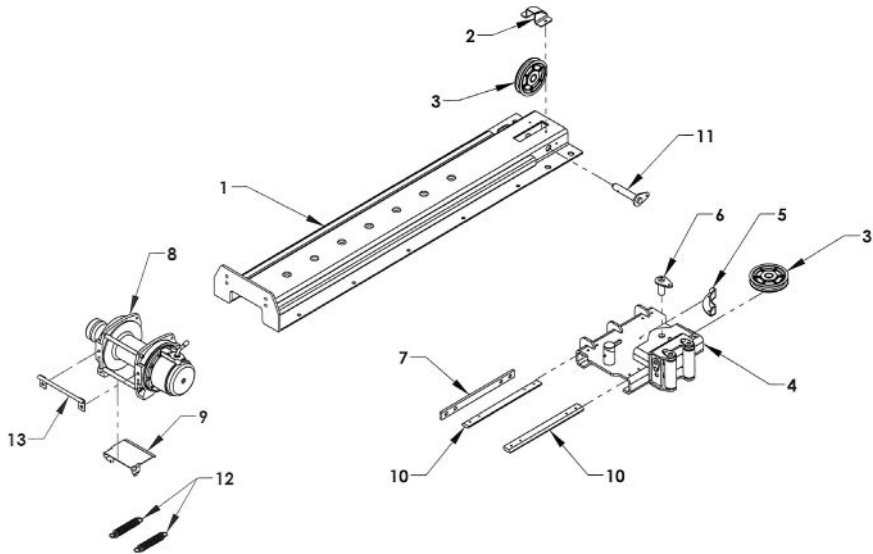
LIGHT KIT



REF. NO.	PART NUMBER	DESCRIPTION
1	0311510	RECTANGULAR REFLEX BACK UP
1	0311511	RECTANGULAR REFLEX BACK UP GROMMET

Section V - PARTS

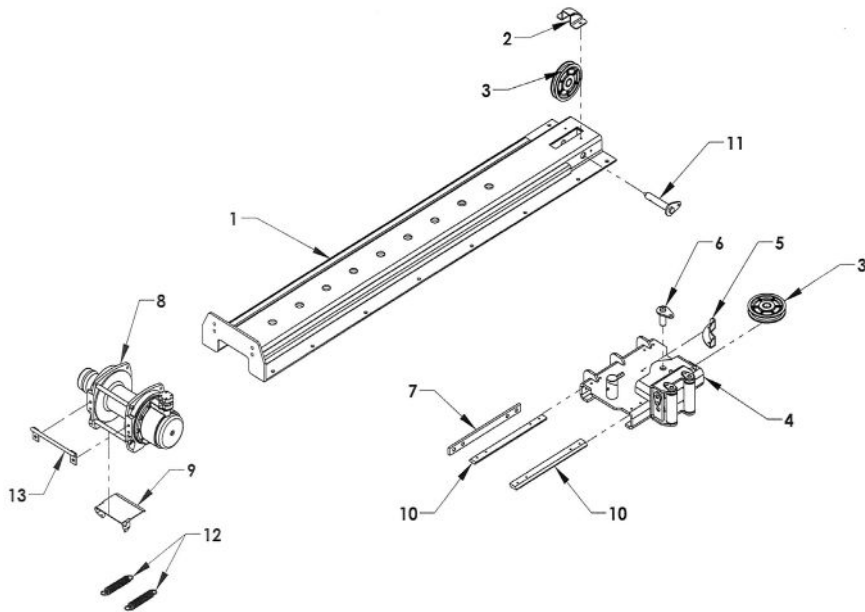
MANUAL SLIDEWINDER (SHORT TRACK)



REF	PART #	DESCRIPTION	QPU
1	315210	SLIDE TRACK - SHORT	1
2	315225	CABLE GUIDE	1
3	69125	6 x 1 PULLEY	2
4	315310	SLIDE CARRIAGE	1
5	315325	CABLE GUIDE	1
6	315330	PULLEY PIN	1
7	315323	FRONT SLIDE PAD	1
8	711096	SERIES 9 WINCH - 6.5 INCH DRUM	1
	711126	SERIES 12 WINCH - 6.5 INCH DRUM	1
9	A90065	CABLE TENSIONER PLATE	1
10	315320	SLIDE PAD	2
11	315230	PULLEY PIN	1
12	A9018S	TENSION SPRING 40 LB/INCH	2
13	7189065	AIR LINE TRANSFER BRACKET	1

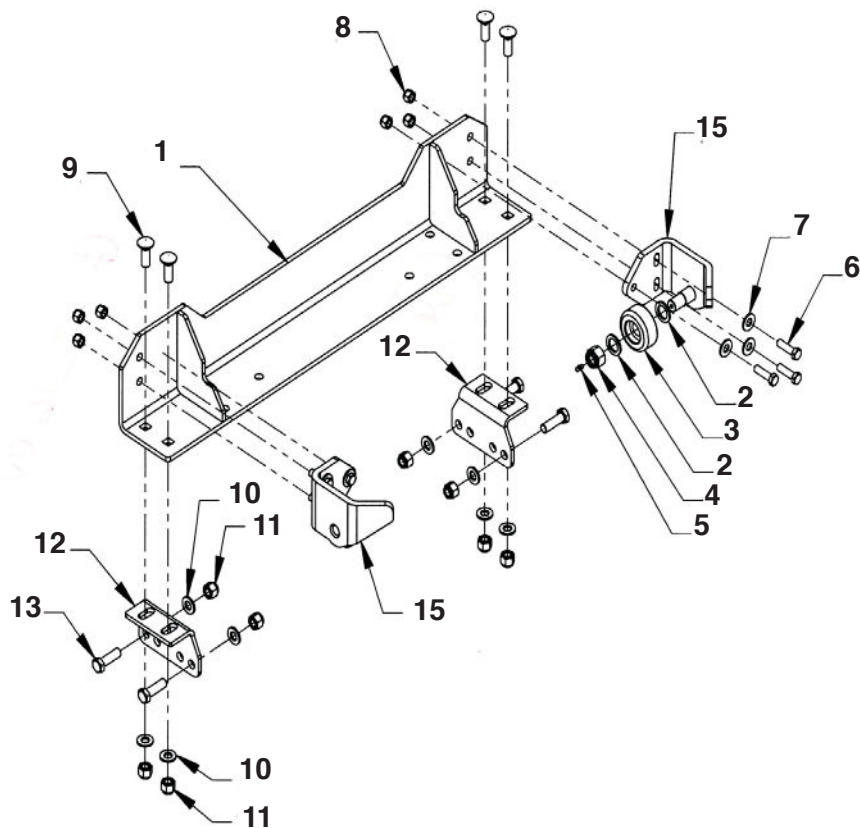
Section V- PARTS

MANUAL SLIDEWINDER (LONG TRACK)



REF. NO.	NO. REQ'D	PART NUMBER	DESCRIPTION
1	1	315214	SLIDE TRACK - LONG
2	1	315225	CABLE GUIDE
3	2	69125	6 x 1 PULLEY
4	1	315310	SLIDE CARRIAGE
5	1	315325	CABLE GUIDE
6	1	315330	PULLEY PIN
7	1	315323	FRONT SLIDE PAD
8	1	711096	SERIES 9 WINCH - 6.5 INCH DRUM
	1	711126	SERIES 12 WINCH - 6.5 INCH DRUM
9	1	A90065	CABLE TENSIONER PLATE
10	2	315320	SLIDE PAD
11	1	315230	PULLEY PIN
12	2	A90185	CABLE TENSIONER SPRING
13	1	7189065	AIR LINE TRANSFER BRACKET

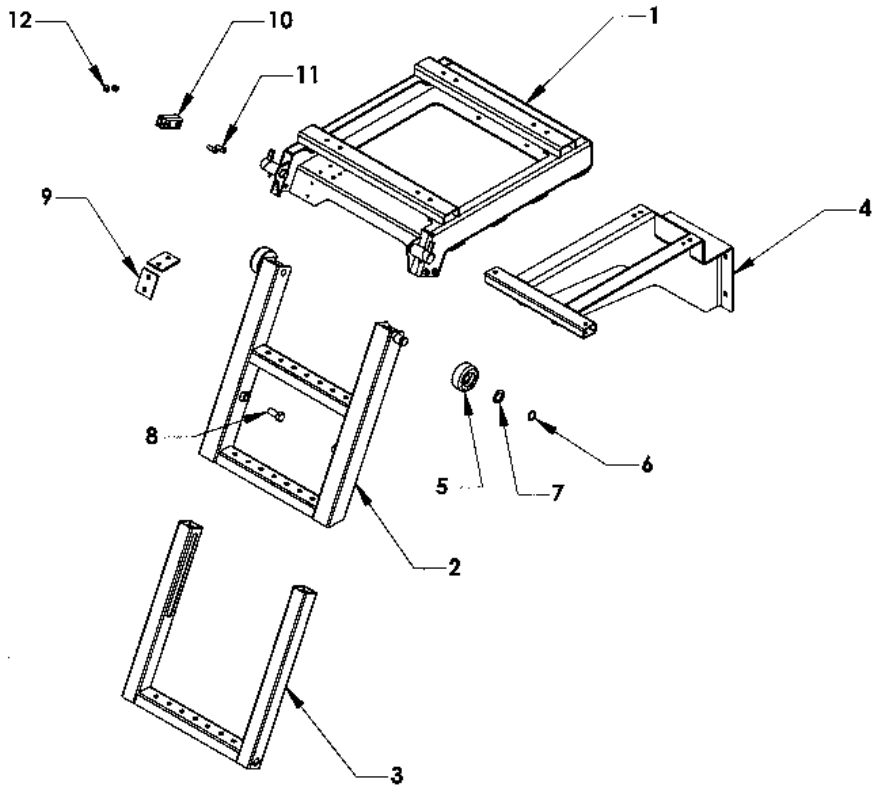
Section V - PARTS BODY LOCK



REF	PART #	DESCRIPTION	QPU
1	0809928	SERIES 10/20/30 G2 ROLLER BED LOCK	1
2	-	FLAT WASHER 1.00	4
3	36310	ROLLER WHEEL	2
4	-	NYLON LOCK NUT 7/8-14 UNF	2
5	7B130	GREASE FITTING 1/4-28	2
6	-	BOLT, HHCS 1/2-20 UNF x 1-3/4	6
7	-	FLAT WASHER 1/2 IN.	6
8	-	NYLON LOCK NUT 1/2-20 UNF	6
9	-	CARRIAGE BOLT 5/8-11 UNC x 1-3/4	4
10	-	FLAT WASHER 5/8	8
11	-	NYLON LOCK NUT 5/8-11 UNC	8
12	0809183	BODY LOCK MOUNTING BRACKET	2
13	-	BOLT, HHCS 5/8-11 UNC x 2 GRADE 5	4
14	36315L	BODY LOCK HOLD-DOWN - LEFT	1
15	36315R	BODY LOCK HOLD DOWN - RIGHT	1

Section V - PARTS

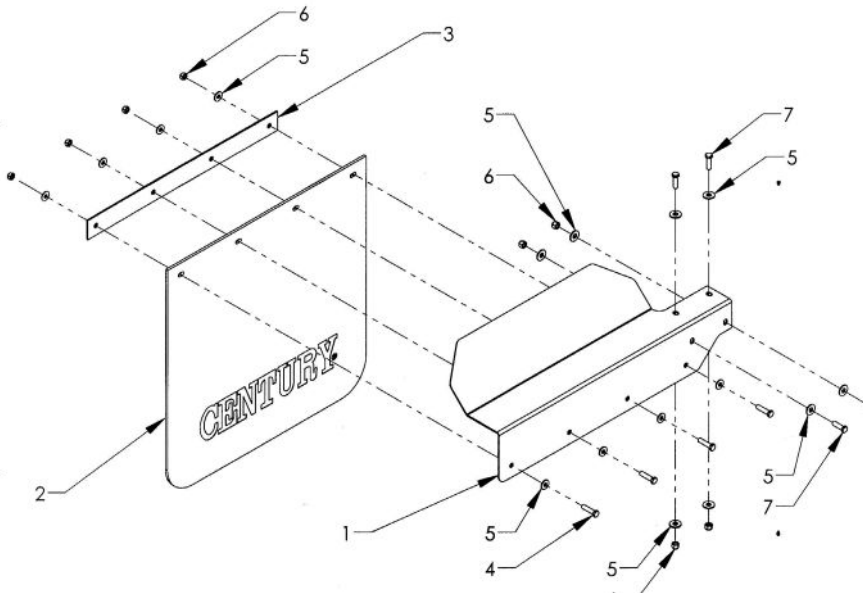
RETRACTABLE LADDER



REF	PART #	DESCRIPTION	QPU
	390000	LADDER ASSEMBLY	1
1	391010	LADDER CARRIAGE	1
2	391020	UPPER RUNG ASSEMBLY	1
3	391030	LOWER RUNG ASSEMBLY	1
4	391040	FRAME MOUNTING BRACKET-OPTIONAL	1
5	36310	WHEEL	2
6	86100E	RETAINING RING 1.00 EXTERNAL	2
7	82710	FLAT WASHER 1 x 1.50	2
8	391026	RETAINING BOLT 5/8-11 x 1-1/2	2
9	391018	WEAR PAD	4
10	391015	RETAINING TUBE	2
11	81221	ALLEN HEAD BOLT 3/8-16 x 1	4
12	83211	NYLON LOCK NUT 3/8-16	4

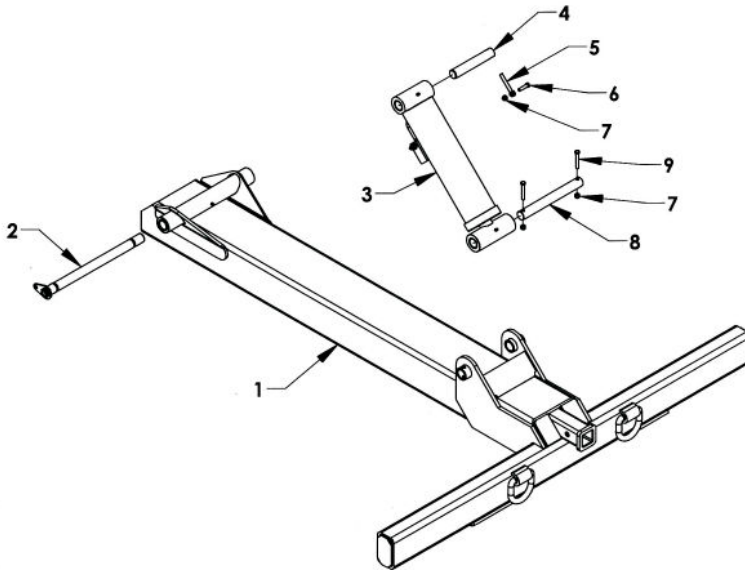
Section V - PARTS

MUDFLAP COMPONENTS



REF	PART #	DESCRIPTION	QPU
1	0751034L	MUDFLAP MOUNTING BRACKET (LH)	1
	0751034R	MUDFLAP MOUNTING BRACKET (RH)	1
2	0308419	MUDFLAP 24 x 24	1
3	0750340	MUDFLAP SUPPORT BAR	1
4		BOLT HHCS 3/8-16 UNC x 1-1/2	4
5		3/8 FLAT WASHER	16
6		3/8-16 NYLON LOCK NUT	16
7		BOLT HHCS 3/8-16 UNC x 1-1/4	4

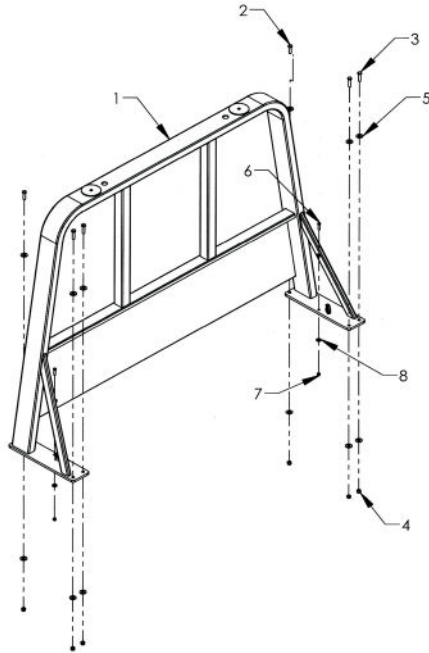
Section V- PARTS DOCK STABILIZER



REF NO.	NO REQ'D	PART NUMBER	DESCRIPTION
1	1	0810010-10	DOCK STABILIZER WELDMENT
2	1	0809411U	WHEEL LIFT BOOM HINGE PIN
3	1	0308372-1175	DOCK STABILIZER CYL. 4 x 11.75
4	1	0750562	EURO SCL LIFT CYL MTG PIN-BASE
5	1	84680	KEEPER PIN 3/8 ROD END
6	1	0400132	BOLT HHCS, 3/8-16 UNC x 1-1/2
7	1	0400392	NYLON LOCK NUT 3/8-16 ZP
8	1	0750523	WHEEL LIFT REAR MTG PIN
9	2	0400150	BOLT HHCS 3/8-16 UNC x 2-1/2

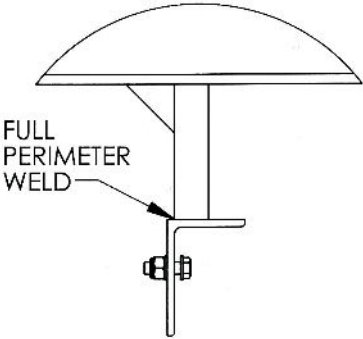
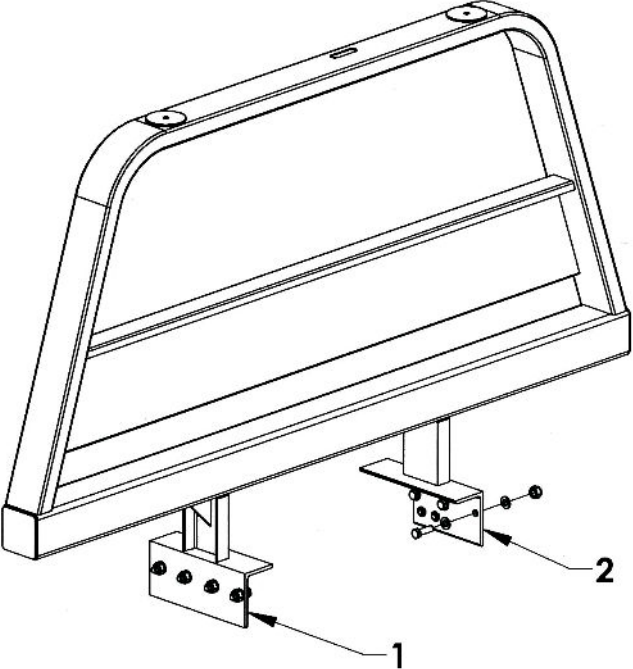
Section V - PARTS

BED MOUNTED CAB PROTECTOR



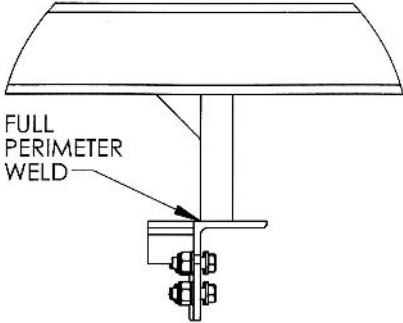
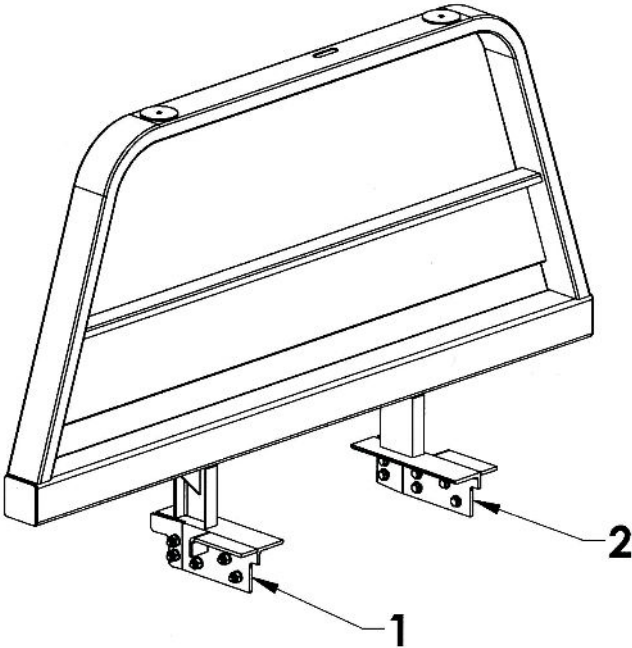
REF. NO.	NO. REQ'D	PART NUMBER	DESCRIPTION
1	1	0809558-38	2 x 5 PERIMETER TUBE CAB PROTECTOR - 38"
		0809558-42	2 x 5 PERIMETER TUBE CAB PROTECTOR - 42"
		0809558-45	2 x 5 PERIMETER TUBE CAB PROTECTOR - 45"
		0809558-48	2 x 5 PERIMETER TUBE CAB PROTECTOR - 48"
		0809558-50	2 x 5 PERIMETER TUBE CAB PROTECTOR - 50"
		0809558-52	2 x 5 PERIMETER TUBE CAB PROTECTOR - 52"
		0809558-54	2 x 5 PERIMETER TUBE CAB PROTECTOR - 54"
		0809558-57	2 x 5 PERIMETER TUBE CAB PROTECTOR - 57"
		0809558-60	2 x 5 PERIMETER TUBE CAB PROTECTOR - 60"
0809558-64	2 x 5 PERIMETER TUBE CAB PROTECTOR - 64"		
2	2	0400211	1/2 -13 x 1-3/4 HHCS GR 5 Z
3	4	0400188	1/2 -13 x 2 HHCS
4	6	0400408	1/2 -13 NYLON LOCK NUT ZINC
5	12	0400492	1/2 USS FLAT WASHER ZINC
6	2	0400132	3/8 -16 x 1-1/2 HHCS GR 5 Z
7	2	0400392	3/8 -16 NYLON LOCK NUT ZINC
8	4	0400480	3/8 - USS FLAT WASHER ZINC

Section V-PARTS
2013 FORD FRAME MOUNTED
PYLON BRACKETS



REF	PART #	DESCRIPTION	QPU
1	0752169L	FORD F550 FMP MOUNTING ANGLE - LEFT	1
2	0752169R	FORD F550 FMP MOUNTING ANGLE - RIGHT	1
-	0940177	BOLT KIT, 2013 DODGE FMP MOUNTING ANGLE	1

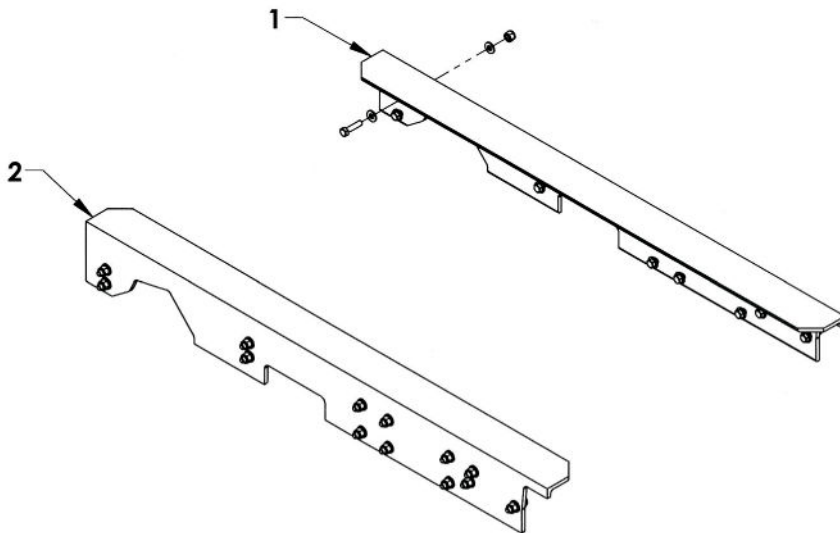
Section V-PARTS
2013 DODGE FRAME MOUNTED
PYLON BRACKETS



REF	PART #	DESCRIPTION	QPU
1	0811135L	DODGE FMP/BED LOCK MOUNTING ANGLE - LEFT	1
2	0811135R	DODGE FMP/BED LOCK MOUNTING ANGLE - RIGHT	1
-	0940177	BOLT KIT, 2013 DODGE FMP MOUNTING ANGLE	1

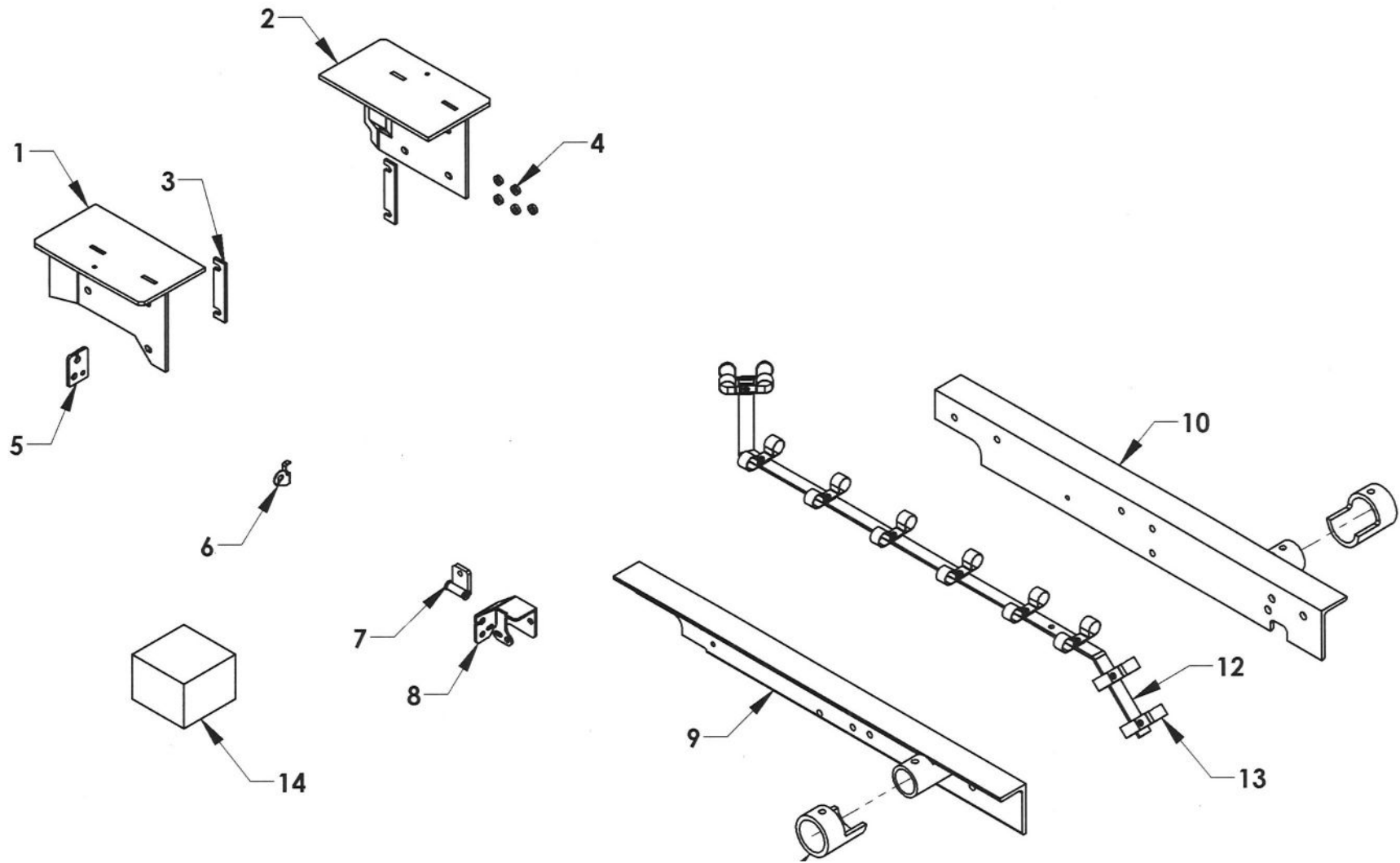
Section V - PARTS

2015 DODGE FRAME REINFORCEMENTS



REF	PART #	DESCRIPTION	QPU
1	0751990L	2015 DODGE FRAME REINFORCEMENT - LEFT	1
2	0751990R	2015 DODGE FRAME REINFORCEMENT - RIGHT	1
-	0940178	BOLT KIT, 2011 DODGE FRAME REINFORCEMENT	1

Section V - PARTS
2017 FORD FRAME
PRE-INSTALLATION KIT - 09003731



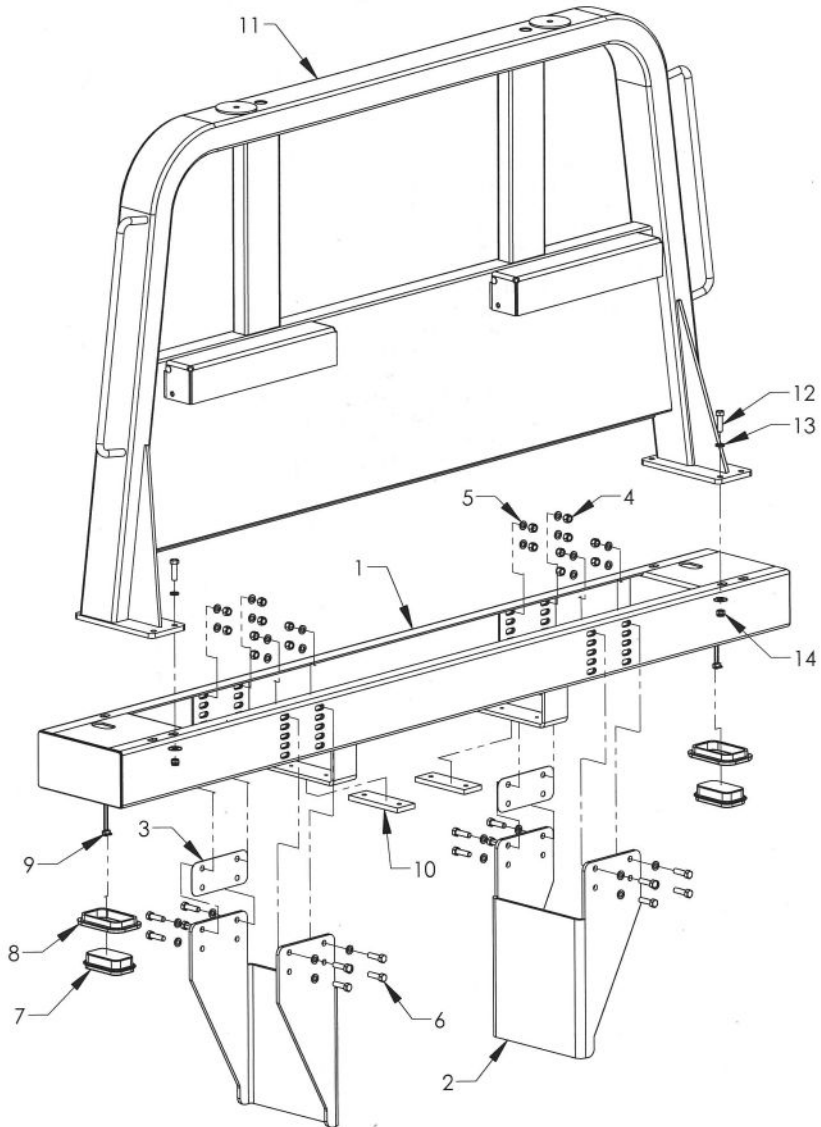
Section V - PARTS

2017 FORD FRAME

PRE-INSTALLATION KIT - 09003731

REF	QTY	PART #	DESCRIPTION
1	1	0800309L	2017 F550 FMP BED LOCK MOUNT - LEFT
2	1	0800309R	2017 F550 FMP BED LOCK MOUNT - RIGHT
3	2	07005230	2017 F550 INSIDE FRAME SLOTTED PLATE
4	5	070054130	DEF TANK SPACER WASHER - F550
5	1	07005357	2017 F550 FRONT E-BRAKE CABLE BRACKET
6	1	07005129	2017 F550 E-BRAKE CABLE BRACKET
7	1	0811153	EMERGENCY BRAKE CABLE GUIDE
8	1	08003249	2017 F550 REAR E-BRAKE CABLE BRACKET
9	1	08003287L	2017 F550 FRAME REINFORCEMENT ANGLE - LEFT
10	1	08003287R	2017 F550 FRAME REINFORCEMENT ANGLE- RIGHT
11	2	0720391N	HELPER SPRING BUSHING - OUTER
12	1	08003307	2017 F550 PRESSURE HOSE SUPPORT BAR
13	20	0308853	1-1/4 VINYL COATED CLAMP
14	1	09003769	BOLT KIT 2017 FORD FRAME REINFORCEMENT

Section V-PARTS
FRAME MOUNTED PYLON - 0940456-096
CONVENTIONAL BASE ASSEMBLY



GRAB HANDLES AND CHAIN HANGERS ARE OPTIONAL PYLON EQUIPMENT

Section V - PARTS

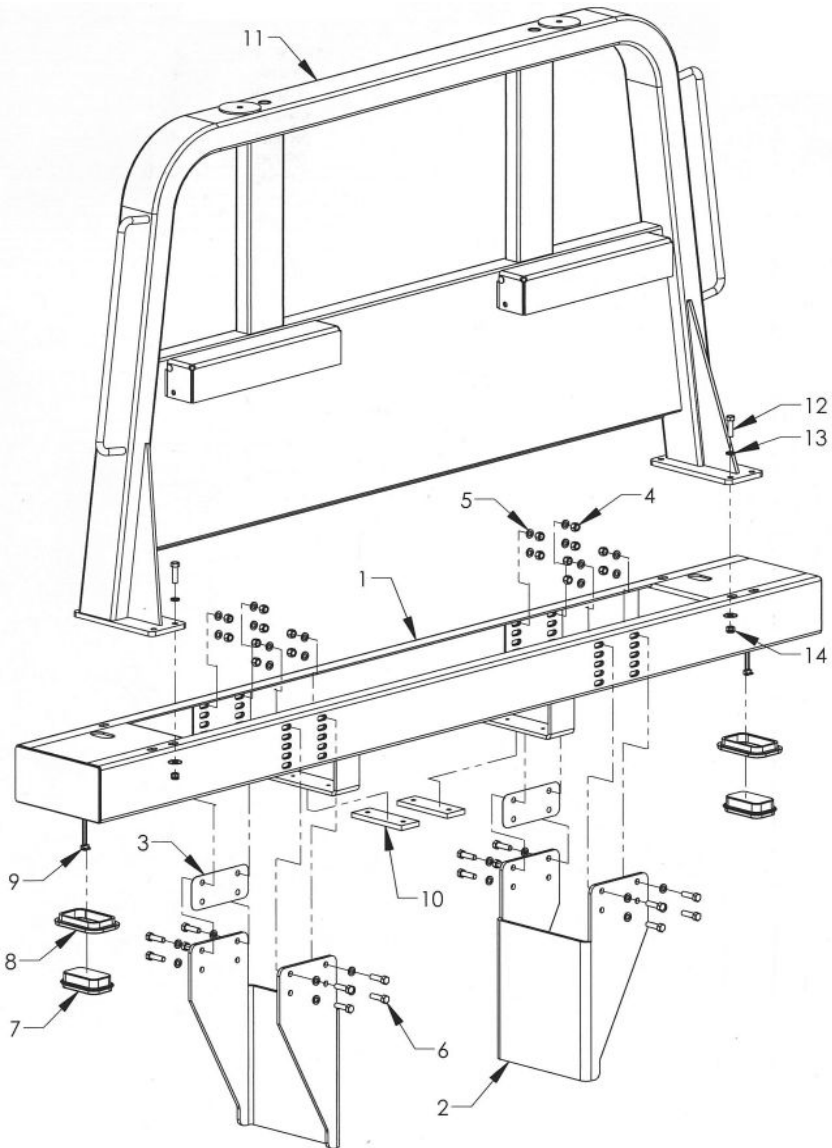
FRAME MOUNTED PYLON - 0940456-096

REF. NO.	NO. REQ'D	PART NUMBER	DESCRIPTION
1	1	0811196-096	FMP CONVENTIONAL CHAIN TRAY BASE - 096
2	2	0752750	PYLON MTG BRACKET, FMP CONV
3	2	0752730	SHIM, 16 GAGE, FMP BASE
4	16	0400408	NYLON LOCK NUT 1/2-13 UNC
5	32	0403040	FLAT WASHER 1/2 SAE ZP
6	16	0403058	BOLT HHCS 1/2-13 x 1-3/4 GR8 PLAIN
7	2	0311511	CARRIER TAIL LIGHT GROMMET
8	2	0311509	LIGHT RECT REVERSE LED
9	2	0311506	LIGHT PIGTAIL 2 PRONG 18 IN. LEAD
10	2	354614-050	FMP 1/2 IN. SPACER SERIES 16 CONV
		354614-100	FMP 1 IN. SPACER SERIES 20 CONV
		354614-200	FMP 2 IN. SPACER SERIES 20 CONV WOOD
		354614-175	FMP 1-3/4 IN. SPACER SERIES 30 CONV
		354614-100/175	FMP 2-3/4 IN. SPACER SERIES 30 CONV WOOD
11	1	0811185-48	FMP 12 PYLON-48
		0811185-50	FMP 12 PYLON-50
		0811185-52	FMP 12 PYLON-52
		0811185-56	FMP 12 PYLON-56
		0811185-60	FMP 12 PYLON-60
		0811185-63	FMP 12 PYLON-63
		0811185-68	FMP 12 PYLON-68
12	6	0403058	BOLT HHCS 1/2-13 x 1-3/4 GR8 PLAIN
13	12	0403040	FLAT WASHER 12 SAE ZP
14	6	0400408	NYLON LOCK NUT 1/2-13 UNC

Section V-PARTS

FRAME MOUNTED PYLON - 0940456-102

CONVENTIONAL BASE ASSEMBLY



GRAB HANDLES AND CHAIN HANGERS ARE OPTIONAL PYLON EQUIPMENT

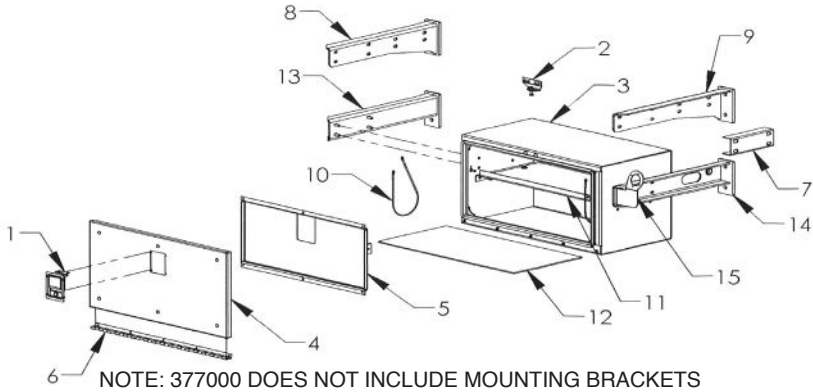
Section V - PARTS

FRAME MOUNTED PYLON - 0940456-102

REF. NO.	NO. REQ'D	PART NUMBER	DESCRIPTION
1	1	0811196-102	FMP CONVENTIONAL CHAIN TRAY BASE - 102
2	2	0752750	PYLON MTG BRACKET, FMP CONV
3	2	0752730	SHIM, 16 GAGE, FMP BASE
4	16	0400408	NYLON LOCK NUT 1/2-13 UNC
5	32	0403040	FLAT WASHER 1/2 SAE ZP
6	16	0403058	BOLT HHCS 1/2-13 x 1-3/4 GR8 PLAIN
7	2	0311511	CARRIER TAIL LIGHT GROMMET
8	2	0311509	LIGHT RECT REVERSE LED
9	2	0311506	LIGHT PIGTAIL 2 PRONG 18 IN. LEAD
10	2	354614-050	FMP 1/2 IN. SPACER SERIES 16 CONV
		354614-100	FMP 1 IN. SPACER SERIES 20 CONV
		354614-200	FMP 2 IN. SPACER SERIES 20 CONV WOOD
		354614-175	FMP 1-3/4 IN. SPACER SERIES 30 CONV
		354614-100/175	FMP 2-3/4 IN. SPACER SERIES 30 CONV WOOD
11	1	0811185-48	FMP 12 PYLON-48
		0811185-50	FMP 12 PYLON-50
		0811185-52	FMP 12 PYLON-52
		0811185-56	FMP 12 PYLON-56
		0811185-60	FMP 12 PYLON-60
		0811185-63	FMP 12 PYLON-63
		0811185-68	FMP 12 PYLON-68
12	6	0403058	BOLT HHCS 1/2-13 x 1-3/4 GR8 PLAIN
13	12	0403040	FLAT WASHER 12 SAE ZP
14	6	0400408	NYLON LOCK NUT 1/2-13 UNC

Section V - PARTS

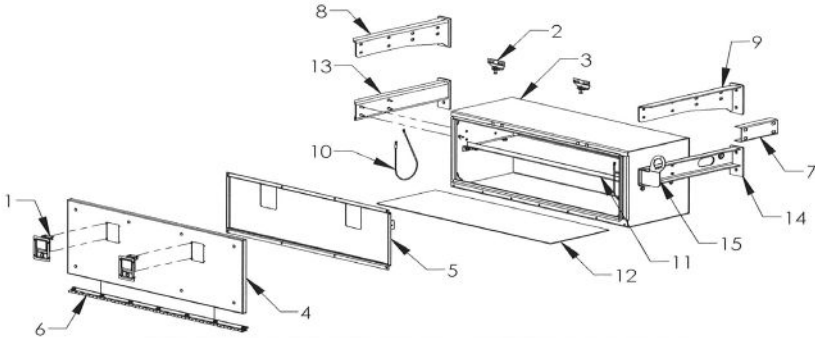
33" ALUMINUM SERIES 10 TOOLBOX - 377000 TOOLBOX/FUEL FILL MOUNTING BRACKETS



REF	QTY	PART #	DESCRIPTION
1	1	54658	ROTARY PADDLE LATCH
	1	54657	GASKET FOR PADDLE LATCH
	4	81111	#8-32 X 1/2 STAINLESS ONE WAY SCREW
	4	83111	#8-32 STAINLESS KEPT NUT
2	1	376182	STRIKER PIN MOUNTING PLATE
	1	54659	STRIKER PIN
	2	81115	STAINLESS CARRIAGE BOLT 5/16-18 x 3/4
	4	82110	FLAT WASHER 5/16
	2	82130	LOCK WASHER 5/16
	2	83110	NUT 5/16-18
	1	83125	NYLON LOCK NUT 5/16-18
3	1	377100W	BOX WELDMENT
4	1	37740	DOOR ASSEMBLY
	1	37741	DOOR WELDMENT
	6	81100	STAINLESS CARRIAGE BOLT 1/4-20 x 3/4
	6	83105	NYLON LOCK NUT 1/4-20
5	1	37744	DOOR REINFORCEMENT
6	1	37735	HINGE
	2	811014	SS SOCKET BUTTON HEAD BOLT 1/4-20 x 7/8
	3	811012	SS SOCKET BUTTON HEAD BOLT 1/4-20 x 3/4
	5	811010	SS SOCKET BUTTON HEAD BOLT 1/4-20 x 5/8
	10	83105	NYLON LOCK NUT 1/4-20
7	1	37760	TANDEM BOX SPACER CHANNEL (OPTIONAL)
8	1	37855L	TANK AND TOOLBOX MT BRACKET-LEFT
9	1	37855R	TANK AND TOOLBOX MT BRACKET-RIGHT
10	2	5A221	LANYARD-21 INCH
11	1	37770	SHELF
12	1	03002300	TOOL BOX MAT 33"
13	1	0811136L	FORD/DODGE TOOLBOX MTG BRKT - LH
14	1	0811136R	FORD/DODGE TOOLBOX MTG BRKT - RH
15	1	0752566	DODGE FUEL FILLER MTG PLATE
	1	0752566F	FORD FUEL FILLER MTG PLATE

Section V - PARTS

49" ALUMINUM SERIES 10 TOOLBOX - 378000 TOOLBOX/FUEL FILL MOUNTING BRACKETS

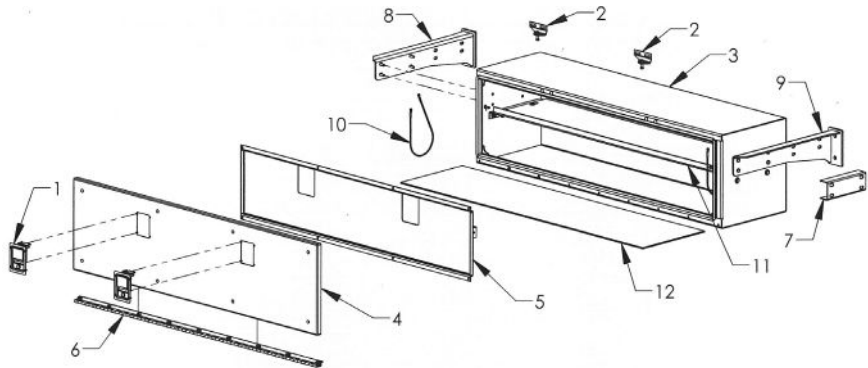


NOTE: 378000 DOES NOT INCLUDE MOUNTING BRACKETS

REF	QTY	PART #	DESCRIPTION
1	1	54658	ROTARY PADDLE LATCH
	1	54657	GASKET FOR PADDLE LATCH
	4	81111	#8-32 X 1/2 STAINLESS ONE WAY SCREW
	4	83111	#8-32 STAINLESS KEPT NUT
2	1	376182	STRIKER PIN MOUNTING PLATE
	1	54659	STRIKER PIN
	2	81115	STAINLESS CARRIAGE BOLT 5/16-18 x 3/4
	4	82110	FLAT WASHER 5/16
	2	82130	LOCK WASHER 5/16
	2	83110	NUT 5/16-18
	1	83125	NYLON LOCK NUT 5/16-18
3	1	377100W	BOX WELDMENT
4	1	37740	DOOR ASSEMBLY
	1	37741	DOOR WELDMENT
	6	81100	STAINLESS CARRIAGE BOLT 1/4-20 x 3/4
	6	83105	NYLON LOCK NUT 1/4-20
5	1	37744	DOOR REINFORCEMENT
6	1	37735	HINGE
	2	811014	SS SOCKET BUTTON HEAD BOLT 1/4-20 x 7/8
	3	811012	SS SOCKET BUTTON HEAD BOLT 1/4-20 x 3/4
	5	811010	SS SOCKET BUTTON HEAD BOLT 1/4-20 x 5/8
	10	83105	NYLON LOCK NUT 1/4-20
7	1	37760	TANDEM BOX SPACER CHANNEL (OPTIONAL)
8	1	37855L	TANK AND TOOLBOX MT BRACKET-LEFT
9	1	37855R	TANK AND TOOLBOX MT BRACKET-RIGHT
10	2	5A221	LANYARD-21 INCH
11	1	37670	SHELF
12	1	03002300	TOOL BOX MAT 49"
13	1	0811136L	FORD/DODGE TOOLBOX MTG BRKT - LH
14	1	0811136R	FORD/DODGE TOOLBOX MTG BRKT - RH
15	1	0752566	DODGE FUEL FILLER MTG PLATE
	1	0752566F	FORD FUEL FILLER MTG PLATE

Section V - PARTS

65" ALUMINUM TOOLBOX - 379000

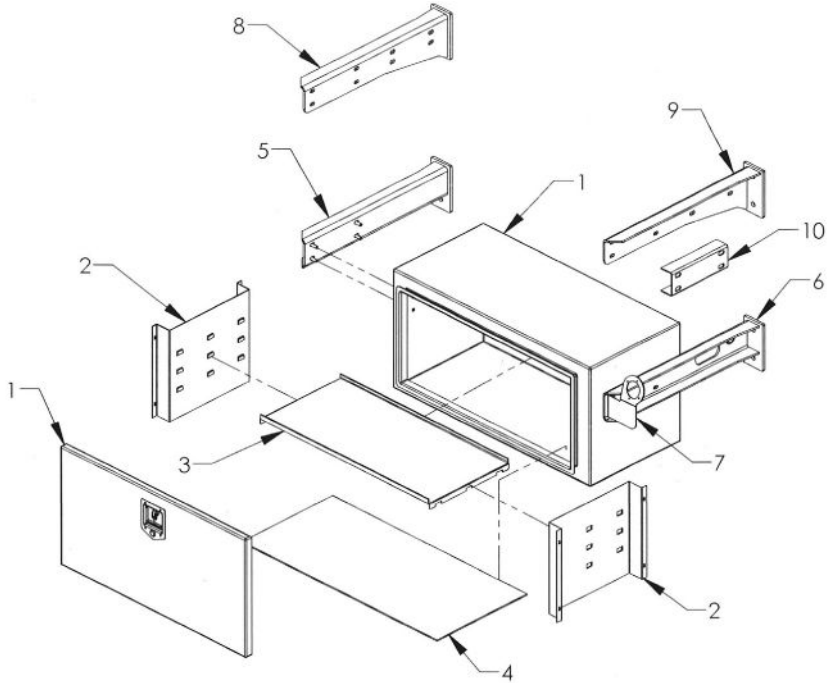


NOTE: 379000 DOES NOT INCLUDE MOUNTING BRACKETS

REF	PART #	DESCRIPTION	QPU
1	54658	ROTARY PADDLE LATCH	1
	54657	GASKET FOR PADDLE LATCH	1
	81111	#8-32 X 1/2 STAINLESS ONE WAY SCREW	4
	83111	#8-32 STAINLESS KEPT NUT	4
2	376182	STRIKER PIN MOUNTING PLATE	1
	54659	STRIKER PIN	1
	81115	STAINLESS CARRIAGE BOLT 5/16-18 x 3/4	2
	82110	FLAT WASHER 5/16	4
	82130	LOCK WASHER 5/16	2
	83110	NUT 5/16-18	2
	83125	NYLON LOCK NUT 5/16-18	1
	379100W	BOX WELDMENT	1
4	37941	DOOR WELDMENT	1
	37940	DOOR ASSEMBLY	1
	81100	STAINLESS CARRIAGE BOLT 1/4-20 x 3/4	6
	83105	NYLON LOCK NUT 1/4-20	6
5	37944	DOOR REINFORCEMENT	1
6	37935	HINGE	1
	811014	SS SOCKET BUTTON HEAD BOLT 1/4-20 x 7/8	2
	811012	SS SOCKET BUTTON HEAD BOLT 1/4-20 x 3/4	3
	811010	SS SOCKET BUTTON HEAD BOLT 1/4-20 x 5/8	5
	83105	NYLON LOCK NUT 1/4-20	10
7	37760	TANDEM BOX SPACER CHANNEL (OPTIONAL)	1
8	37855L	TANK AND TOOLBOX MT BRACKET-LEFT	1
9	37855R	TANK AND TOOLBOX MT BRACKET-RIGHT	1
10	5A221	LANYARD-21 INCH	2
11	37970	SHELF	1
12	03002302	TOOL BOX MAT 65"	1

Section V - PARTS

36" STEEL TOOLBOX SERIES 10 FUEL FILL MOUNTING BRACKETS

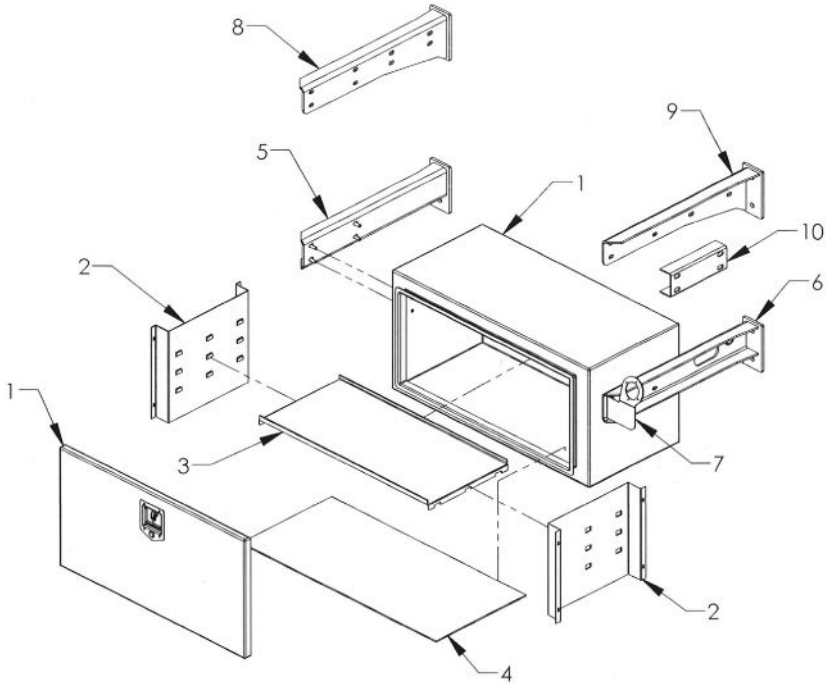


NOTE: 174016030S DOES NOT INCLUDE MOUNTING BRACKETS

REF	QTY	PART #	DESCRIPTION
1	1	174016030S	STEEL TOOLBOX 36"
	1	174016030D	DOOR ASSEMBLY
	1	174016030S-BOX	BOX WELDMENT
2	2	07002918	STEEL TOOLBOX INSIDE PANEL
3	1	07002919-36	STEEL TOOL BOX 36" SHELF
4	1	0308801	TOOLBOX MAT 36"
5	1	0811136L	FORD/DODGE TOOLBOX MTG BRKT - LH
6	1	0811136R	FORD/DODGE TOOLBOX MTG BRKET - RH
7	1	0752566	DODGE FUEL FILLER MTG PLATE
	1	0752566F	FORD FUEL FILLER MTG PLATE
8	1	37855L	TOOLBOX AND OIL TANK MTG BRKT - LH
9	1	37855R	TOOLBOX AND OIL TANK MTG BRKT - RH
10	1	37760	TANDEM BOX SPACLER CHANNEL (OPT)

Section V - PARTS

48" STEEL TOOLBOX SERIES 10 FUEL FILL MOUNTING BRACKETS

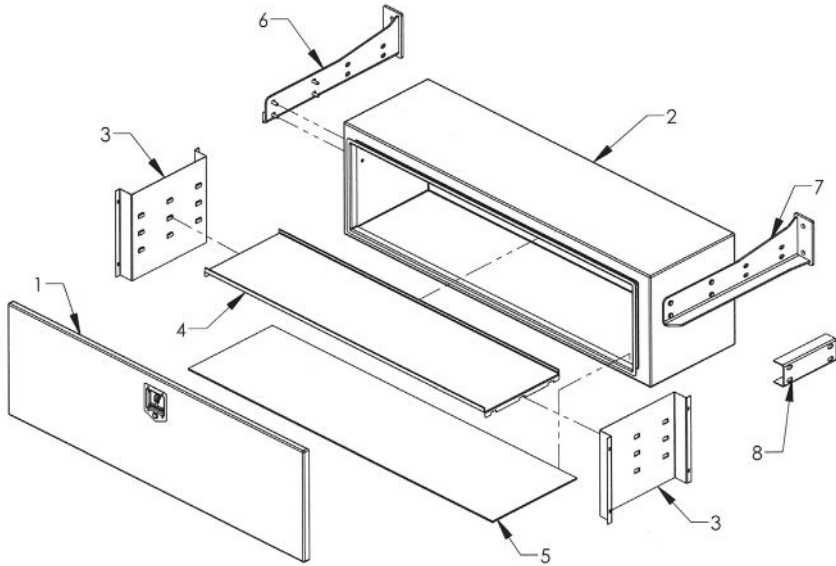


NOTE: 174016030S DOES NOT INCLUDE MOUNTING BRACKETS

REF	QTY	PART #	DESCRIPTION
1	1	174016030S	STEEL TOOLBOX 36"
	1	174016030D	DOOR ASSEMBLY
	1	174016030S-BOX	BOX WELDMENT
2	2	07002918	STEEL TOOLBOX INSIDE PANEL
3	1	07002919-36	STEEL TOOL BOX 36" SHELF
4	1	0308801	TOOLBOX MAT 36"
5	1	0811136L	FORD/DODGE TOOLBOX MTG BRKT - LH
6	1	0811136R	FORD/DODGE TOOLBOX MTG BRKET - RH
7	1	0752566	DODGE FUEL FILLER MTG PLATE
	1	0752566F	FORD FUEL FILLER MTG PLATE
8	1	37855L	TOOLBOX AND OIL TANK MTG BRKT - LH
9	1	37855R	TOOLBOX AND OIL TANK MTG BRKT - RH
10	1	37760	TANDEM BOX SPACLER CHANNEL (OPT)

Section V - PARTS

60" STEEL TOOLBOX - 174016023S

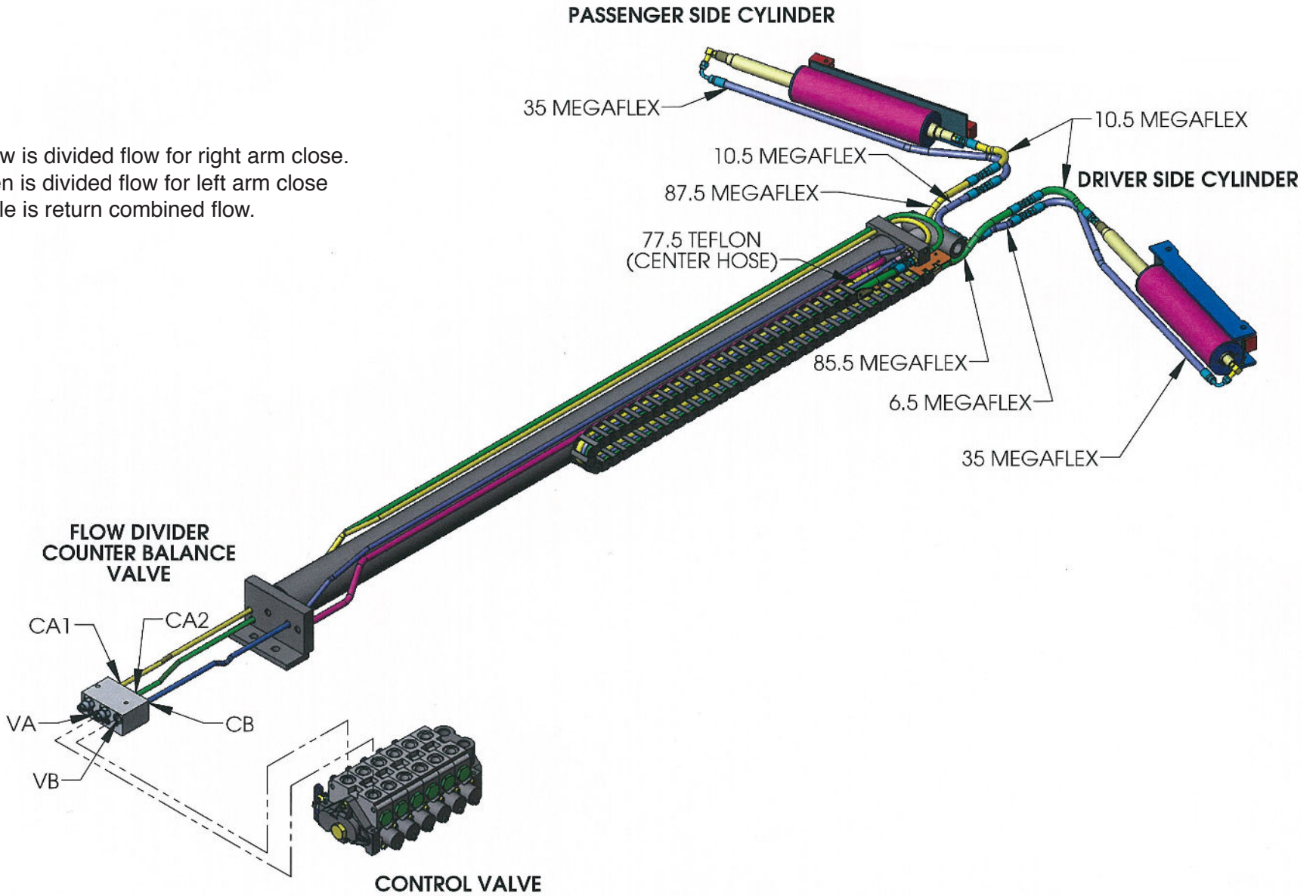


NOTE: 174016023S DOES NOT INCLUDE MOUNTING BRACKETS

REF	PART #	DESCRIPTION	QPU
1	174016023	DOOR ASSEMBLY	1
2	174016023S-BOX	BOX WELDMENT	1
3	07002918	STEEL TOOLBOX INSIDE PANEL	2
4	07002919-60	STEEL TOOLBOX 60" SHELF	1
5	0308837	TOOLBOX MAT 60"	1
6	37855R	TOOLBOX AND OIL TANK MTG BRACKET-RH	1
7	37855L	TOOLBOX AND OIL TANK MTG BRACKET-LH	1
8	37760	TANDEM BOX SPACER CHANNEL (OPT)	1

Section VII - SCHEMATICS
CAR CARRIER
L-ARM CYLINDER HOSE ROUTING
AUTOGRIP II

Yellow is divided flow for right arm close.
Green is divided flow for left arm close
Purple is return combined flow.

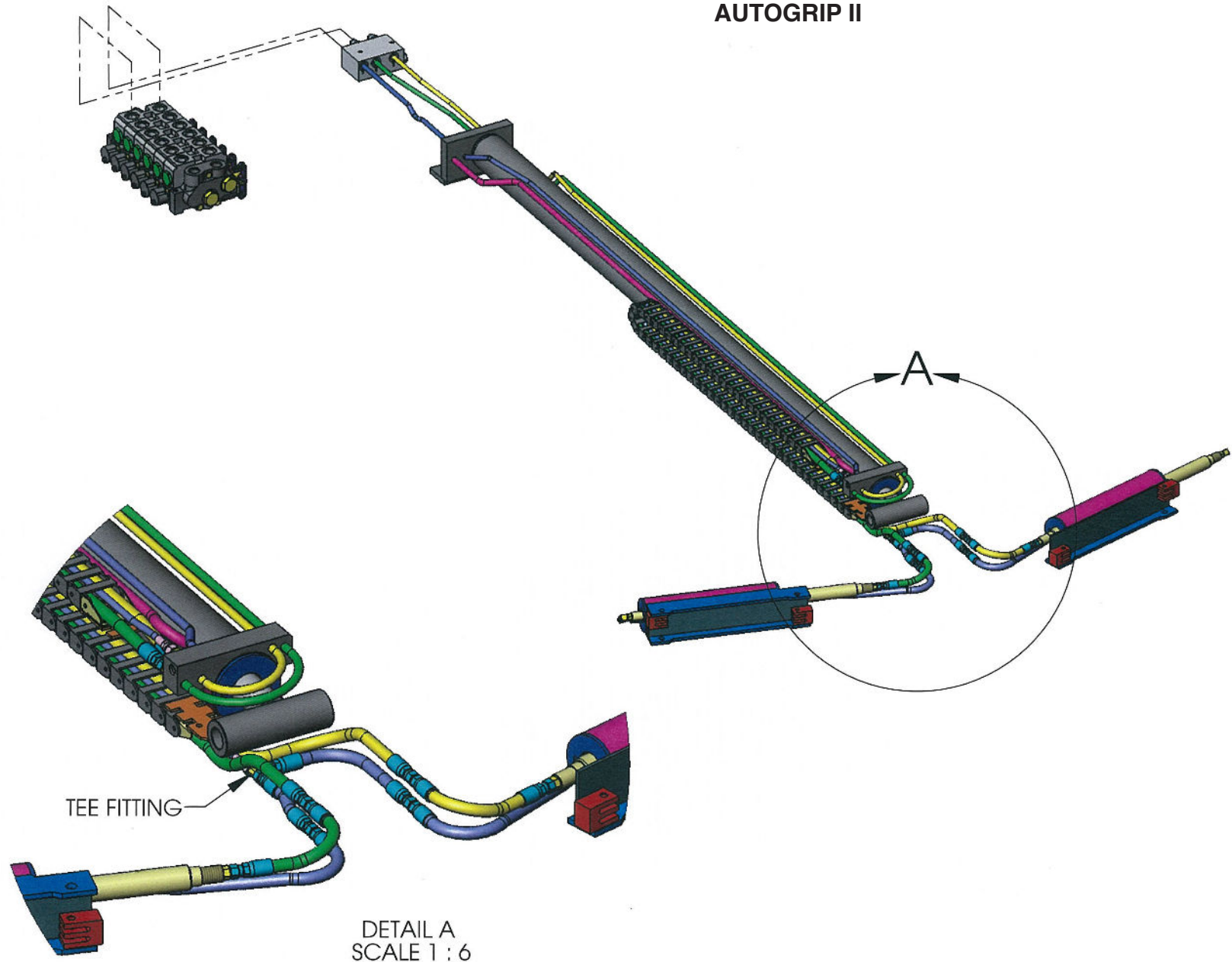


Section VII - SCHEMATICS

CAR CARRIER

L-ARM CYLINDER HOSE ROUTING

AUTOGRIP II



TEE FITTING

DETAIL A
SCALE 1 : 6