

CENTURY®

LEGENDARY LEADERSHIP



OWNER'S MANUAL

SERIES 10 GEN II ALUMINUM & STEEL CARRIERS

INSTALLATION, OPERATION, MAINTENANCE & PARTS

**NOTE: MANUAL including SPECIFICATIONS, subject to change without notice
All ratings specified are based on structural factors only,
not vehicle capacities or capabilities.**

CENTURY®

Miller Industries PA Operations
2755 Kirila Blvd.
Hermitage, PA 16148

PN. 0540039
REV. 05/2023
PRICE \$25.00

Section V - PARTS

This Section is provided by the manufacturer for the purpose of ordering any component part of the **Series 10 GEN II Carrier** that may be required when part replacement is necessary. Be certain to use only original equipment replacement parts for warranty purposes as well as for keeping your **Series 10 GEN II Carrier** in its original state and optimum operating capacities.

When ordering replacement or spare parts be sure to provide the following information to your carrier manufacturer authorized representative.

1. **Manual Number & Date of Publication**
2. **Manual Page Number**
3. **Page Title**
4. **Reference Number of Part Desired**
5. **Part Number**
6. **Part Description**
7. **Quantity of Part Desired**

Providing this information will help ensure that the correct parts will be delivered to you in an expedient manner without delay. Should additional information be required for repair or replacement of certain components, contact your **MILLER INDUSTRIES DISTRIBUTOR**.

The Manufacturer reserves the right, without notice or obligation, to improve or modify their products, which may change the specifications, models and feature availability.

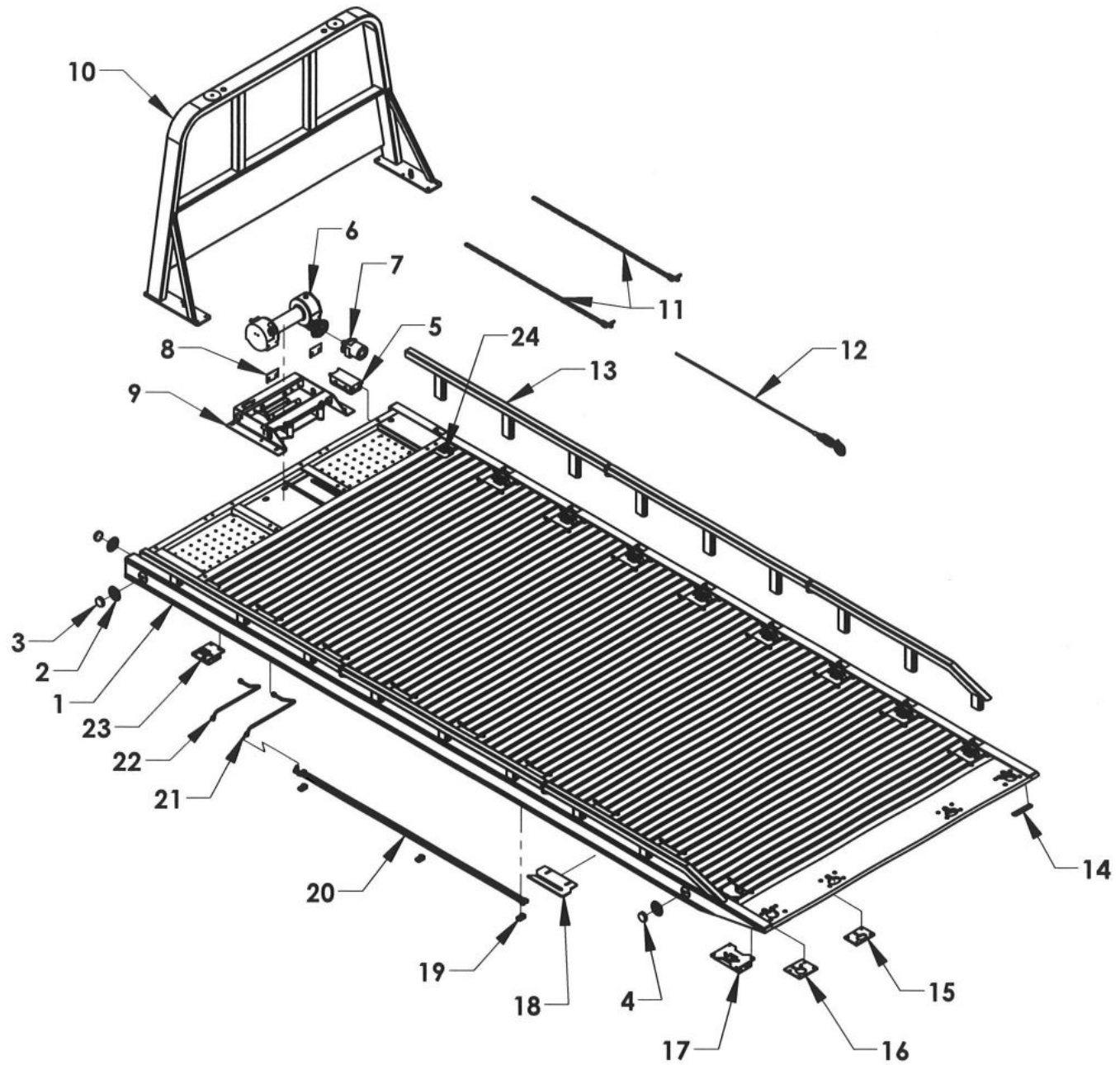
Section V - PARTS

REMOVABLE TUBE RAIL SIDES

ASSEMBLY #	BED LENGTH	REMOVABLE TUBE RAIL SIDE COMBINATIONS
09009171-190	19 TO 20.5 FT	
09009171-210	21 TO 22 FT	

REF	PART #	DESCRIPTION	QPU
1	346071F	FRONT REMOVABLE TUBE RAIL - 3 POST	SEE CHART
2	346095F	FRONT REMOVABLE TUBE RAIL - 4 POST	SEE CHART
3	346071M	MIDDLE REMOVABLE TUBE RAIL - 3 POST	SEE CHART
4	346064	REAR REMOVABLE TUBE RAIL - 3 POST	SEE CHART
5	0306070	LYNCH PIN - 7/16 x 1-3/4 IN.	SEE CHART

Section V - PARTS
ALUMINUM BED ASSEMBLY
GEN 3 SERIES 10



Section V - PARTS

ALUMINUM BED ASSEMBLY GEN II REMOVABLE RAIL

REF. NO.	QTY	PART NUMBER	DESCRIPTION
1	1	301810C3CCT-XXX	SERIES 10 G3 AL BED WELDMNT XXX=190, 195, 205, 210, 215, 220
2	6	0311516	2-1/2" MARKER LIGHT GROMMET
3	4	0311513	2-1/2" AMBER MARKER LIGHT
4	2	0311512	2-1/2" RED MARKER LIGHT
5	1	0303385	10 POST JUNCTION BOX
6	1	0308698	RAMSEY 8000 LB WORM GEAR WINCH
7	1	0320147	RAMSEY WINCH MOTOR 5 CUBIC INCH
8	2	0701172	SPACER WINCH BRACKET
9	1	0940425	WINCH MOUNTING FRAME
10	1	0809558-XX	CAB PROTECTOR XX= 38, 45, 48, 50, 52, 54, 57, 60, 62, 64
11	1	0302493	FRONT SAFETY CHAIN ASSEMBLY 5/16 x 8'
12	2	0301669	WINCH CABLE ASSEMBLY
13	1	09009171-XXX	REMOVABLE TUBE RAIL (SEE CHART)
14	2	07004889	APPROACH SKID PLATE
15	2	34521	ALUM APPROACH PLATE CHAINLOCK
16	2	07007442	ALUM APPROACH PLATE CHAINLOCK - 2 WAY
17	X	08001669	CHAINLOCK - SIDE CHAIN BINDER
18	1	33813	ANTI-TILT PLATE
19	3	0751188	FLUID TUBE MOUNTING BLOCK - LOWER
20	2	383S1-XXX	SERIES 10/12/16 UNDER BODY FLUID TUBE XXX=190, 195, 205, 210, 215, 220
21	1	0752168-R	WINCH MOTOR FLUID TUBE-S10 G2-RAMSEY-LONG
22	1	0752167-R	WINCH MOTOR FLUID TUBE-S10 G2-RAMSEY-SHORT
23	1	08004844L	CHAINLOCK-FRONT CHAIN BINDER - LH
24	1	08004844R	CHAINLOCK-FRONT CHAIN BINDER - RH

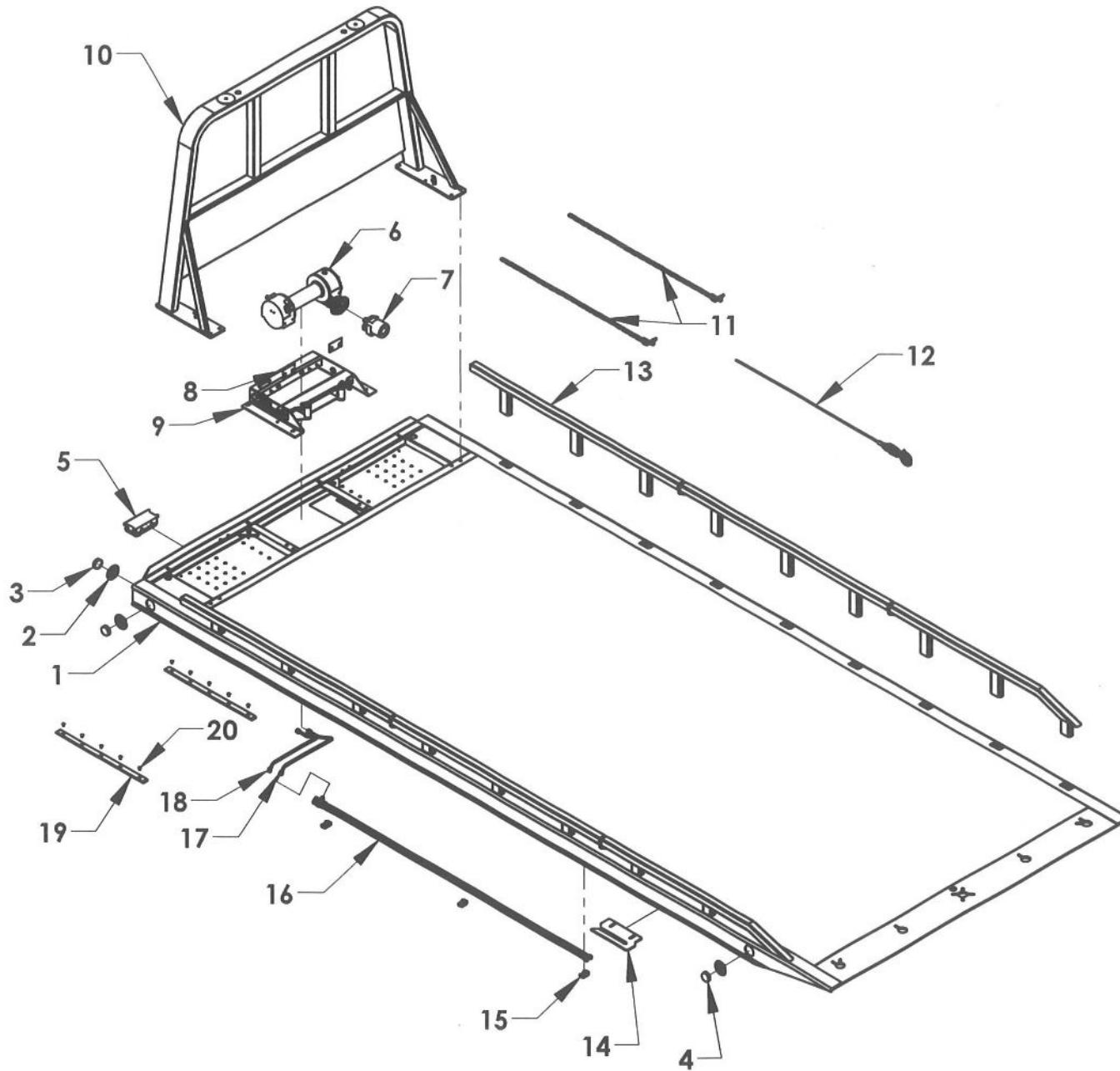
Section V - PARTS

REMOVABLE BLADE RAIL SIDES

BED LENGTH	REMOVABLE BLADE RAIL SIDE COMBINATIONS
17.5 FT	
18.0 FT	
18.5 FT	
19.0 FT	
19.5 FT	
20.0 FT	
20.5 FT	
21.0 FT	
21.5 FT	
22.0 FT	

REF	PART #	DESCRIPTION	QPU
1	34B060FL	FRONT REMOVABLE BLADE RAIL - 2 POST	SEE CHART
2	34B066FL	FRONT REMOVABLE BLADE RAIL - 2 POST	SEE CHART
3	34B072FL	FRONT REMOVABLE BLADE RAIL - 2 POST	SEE CHART
4	34B078FL	FRONT REMOVABLE BLADE RAIL - 3 POST	SEE CHART
5	34B084FL	FRONT REMOVABLE BLADE RAIL - 3 POST	SEE CHART
6	34B090FL	FRONT REMOVABLE BLADE RAIL - 3 POST	SEE CHART
7	34B096FL	FRONT REMOVABLE BLADE RAIL - 3 POST	SEE CHART
8	34B072ML	MIDDLE REMOVABLE BLADE RAIL - 3 POST	SEE CHART
9	34B096ML	MIDDLE REMOVABLE BLADE RAIL - 4 POST	SEE CHART
10	34B064RL	REAR REMOVABLE BLADE RAIL - 3 POST	SEE CHART

Section V - PARTS
STEEL BED ASSEMBLY GEN II
REMOVABLE TUBE RAIL



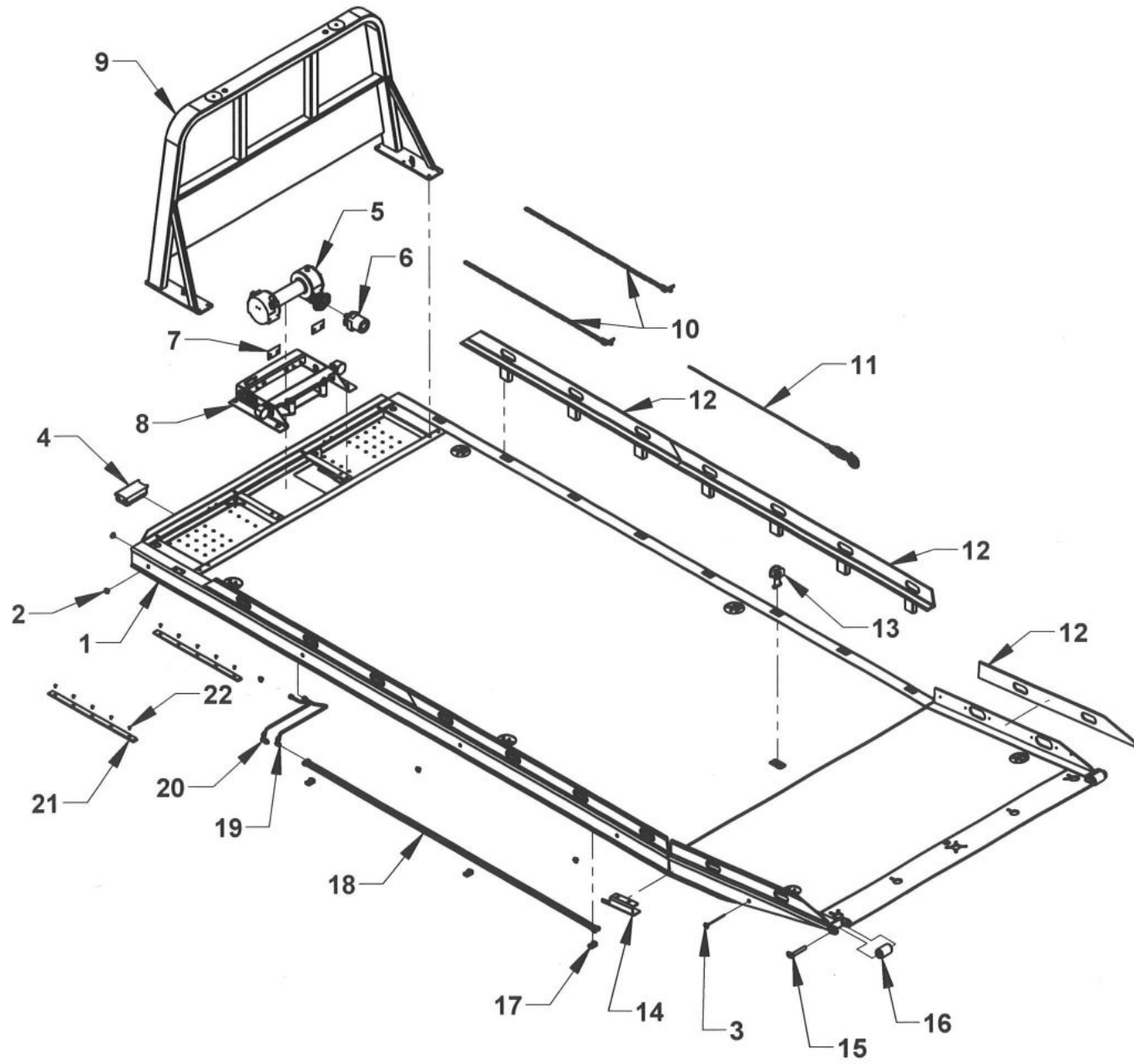
Section V - PARTS

STEEL BED ASSEMBLY GEN II REMOVABLE TUBE RAIL

REF. NO.	QTY	PART NUMBER	DESCRIPTION
1	1	30284102XXX	SERIES 10 G2 ST BED WELDMENT XXX=190, 195, 205, 210, 215, 220
2	6	0311516	2-1/2" MARKER LIGHT GROMMET
3	4	0311513	2-1/2" AMBER MARKER LIGHT
4	2	0311512	2-1/2" RED MARKER LIGHT
5	1	0303385	10 POST JUNCTION BOX
6	1	0308698	RAMSEY 8000 LB WORM GEAR WINCH
7	1	0320147	RAMSEY WINCH MOTOR 5 CUBIC INCH
8	2	0701172	SPACER WINCH BRACKET
9	1	0940425	WINCH MOUNTING FRAME
10	1	0809558-XX	CAB PROTECTOR XX= 38, 45, 48, 50, 52, 54, 57, 60, 62, 64
11	2	0302493	FRONT SAFETY CHAIN ASSEMBLY 5/16 x 8'
12	1	0301669	WINCH CABLE ASSEMBLY
13	1	09009171-XXX	REMOVABLE TUBE RAIL (SEE CHART)
14	1	33813	ANTI-TILT PLATE
15	3	0751188	FLUID TUBE MOUNTING BLOCK - LOWER
16	2	383S1-XXX	SERIES 10/12/16 UNDER BODY FLUID TUBE XXX=190, 195, 205, 210, 215, 220
17	1	0752168-R	WINCH MOTOR FLUID TUBE-S10 G2-RAMSEY-LONG
18	1	0752167-R	WINCH MOTOR FLUID TUBE-S10 G2-RAMSEY-SHORT
19	2	07005597	I-BEAM WEAR PAD
20	10	04000844	FHSCS 5/16-18 x 5/8 ZP

Section V - PARTS








STEEL BED ASSEMBLY - TUBE SIDES
GEN 2 SERIES 10 RIGHT APPROACH



Section V - PARTS
STEEL BED ASSEMBLY - TUBE SIDES
GEN 2 SERIES 10 RIGHT APPROACH

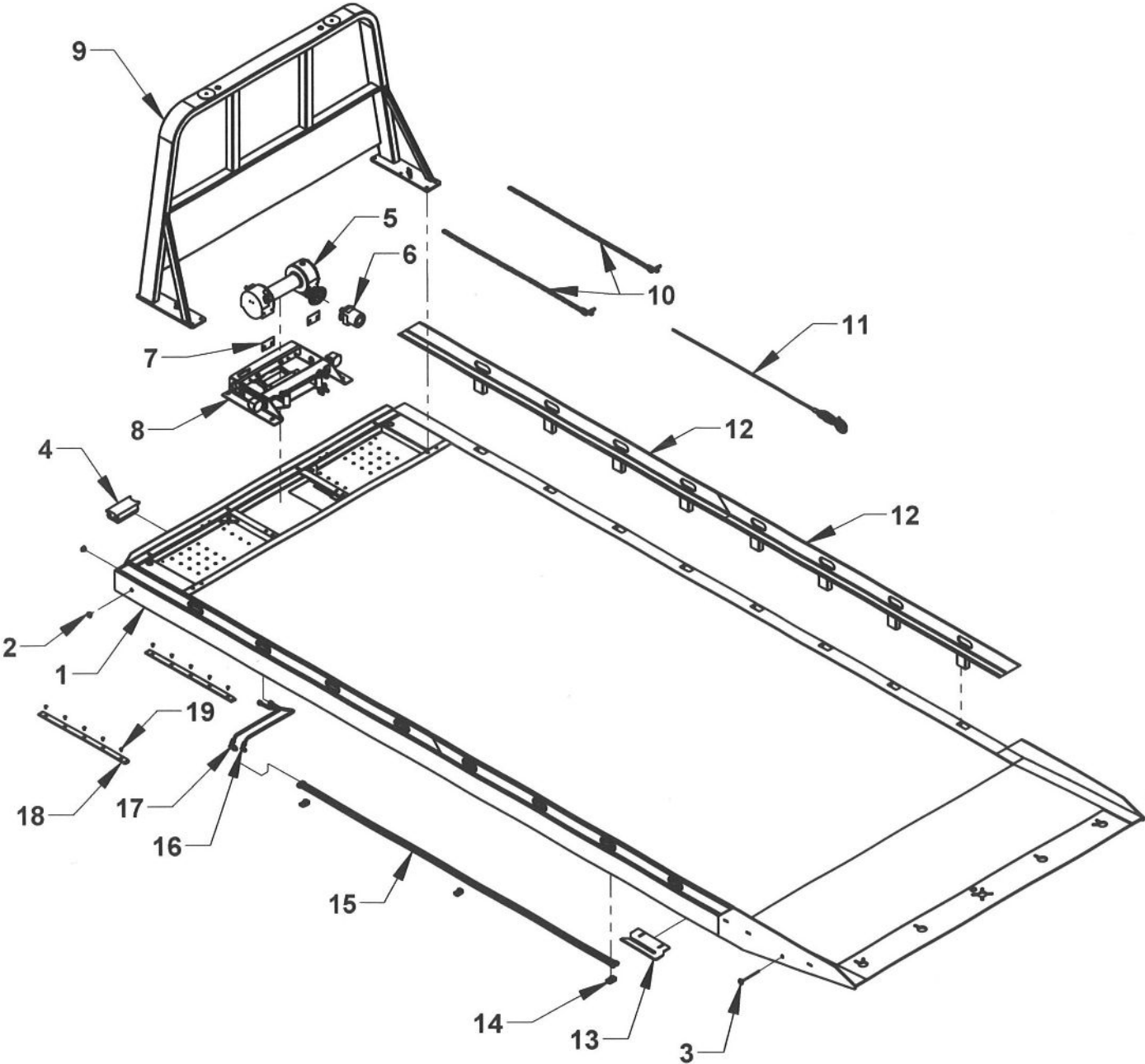
REF. NO.	QTY	PART NUMBER	DESCRIPTION
1	1	3028102RXXX	S10 G2 RA STEEL BED WELDMENT XXX = 190, 195, 205, 210, 215, 220
2	10	0311521	3/4" AMBER MARKER LIGHT W/GROMMET
3	2	0311522	3/4" RED MARKER LIGHT W/GROMMET
4	1	0303385	10 POST JUNCTION BOX
5	1	0308698	RAMSEY 8000 LB WORM GEAR
6	1	0320147	WINCH MOTOR 5 CUBIC INCH
7	2	0701172	SPACER, WINCH BRACKET
8	1	0940425	WINCH MOUNTING FRAME
9	1	0809558-XX	CAB PROTECTOR XX = 38, 45, 48, 50, 52, 54, 57, 60, 62, 64
10	2	0302493	FRONT SAFETY CHAIN ASSEMBLY - 5/16 x 8'
11	1	0301669	WINCH CABLE ASSEMBLY
12	1	09001210-XXX	RIGHT APPROACH BLADE RAIL SIDES XXX=190, 195, 205, 210, 215, 220
13	1	0805324	CABLE GUIDE WELDMENT (HOOK STYLE)
14	1	0750465	ANTI-TILT PLATE RA
15	2	0806252	ROLLER TIP WHEEL KEEPER PIN
16	2	0721483	ROLLER
17	3	0751188	FLUID TUBE MOUNTING BLOCK-LOWER
18	2	383S1-XXX	SERIES 10/12/16 UNDER BODY FLUID TUBE XXX = 190, 195, 205, 210, 215, 220
19	1	0752168-R	WINCH MOTOR FLUID TUBE-S10 G2-RAMSEY-LONG
20	1	0752167-R	WINCH MOTOR FLUID TUBE-S10 G2-RAMSEY-SHORT
21	2	07005597	I-BEAM WEAR PAD
22	10	04000844	FHSCS 5/16-18 x 5/8 ZP

Section V - PARTS
RIGHT APPROACH REMOVABLE BLADE RAIL SIDES

ASSEMBLY #	BED LENGTH	REMOVABLE BLADE RAIL SIDE COMBINATIONS
09001210-190	19.0 FT	
09001210-195	19.5 FT	
09001210-200	20.0 FT	
09001210-205	20.5 FT	
09001210-210	21.0 FT	
09001210-215	21.5 FT	
09001210-220	22.0 FT	

REF	PART #	DESCRIPTION	QPU
1	08001089-190L & R	RA FRONT REMOVABLE BLADE RAIL - 3 POST	SEE CHART
2	08001089-195L & R	RA FRONT REMOVABLE BLADE RAIL - 3 POST	SEE CHART
3	08001089-200L & R	RA FRONT REMOVABLE BLADE RAIL - 3 POST	SEE CHART
4	08001089-205L & R	RA FRONT REMOVABLE BLADE RAIL - 4 POST	SEE CHART
5	08001089-210L & R	RA FRONT REMOVABLE BLADE RAIL - 4 POST	SEE CHART
6	08001089-215L & R	RA FRONT REMOVABLE BLADE RAIL - 4 POST	SEE CHART
7	08001089-220L & R	RA FRONT REMOVABLE BLADE RAIL - 4 POST	SEE CHART
8	0809192L & R	RA MIDDLE REMOVABLE BLADE RAIL - 4 POST	SEE CHART
9	0751006L & R	RA REAR REMOVABLE BLADE RAIL	SEE CHART

Section V - PARTS
STEEL BED ASSEMBLY - TUBE SIDES
GEN 2 SERIES 10 SST




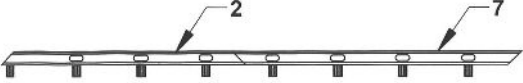
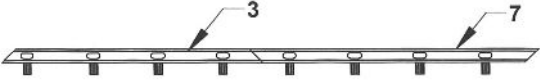
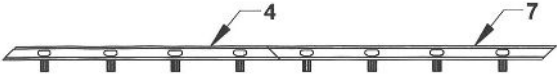
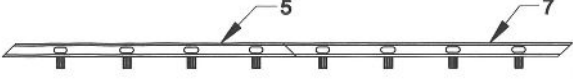
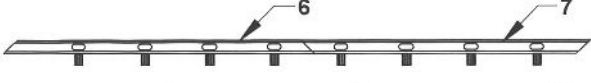

Section V - PARTS

STEEL BED ASSEMBLY GEN 2 SERIES 10 SST BLADE RAIL SIDES

REF. NO.	QTY	PART NUMBER	DESCRIPTION
1	1	30284102SXXX	S10 ST G2 SST BLADE RAIL BED WELDMENT XXX = 190, 195, 205, 210, 215, 220
2	4	0311521	3/4" AMBER MARKER LIGHT W/GROMMET
3	2	0311522	3/4" RED MARKER LIGHT W/GROMMET
4	1	0303385	10 POST JUNCTION BOX
5	1	0308698	RAMSEY 8000 LB WORM GEAR
6	2	0320147	WINCH MOTOR 5 CUBIC INCH
7	1	0701172	SPACER, WINCH BRACKET
8	1	0940425	WINCH MOUNTING FRAME
9	1	0809558-XX	CAB PROTECTOR XX = 38, 45, 48, 50, 52, 54, 57, 60, 62, 64
10	2	0302493	FRONT SAFETY CHAIN ASSEMBLY - 5/16 x 8'
11	1	0301669	WINCH CABLE ASSEMBLY
12	1	0909446-XXX	SST BLADE RAIL SIDES XXX = 190, 195, 205, 210, 215, 220
13	1	33813	ANTI-TILT PLATE
14	3	0751188	FLUID TUBE MOUNTING BLOCK-LOWER
15	2	383S1-XXX	SERIES 10/12/16 UNDER BODY FLUID TUBE XXX = 190, 195, 205, 210, 215, 220
16	1	0751968-R	WINCH MOTOR FLUID TUBE-S10 G2-RAMSEY-LONG
17	1	0751967-R	WINCH MOTOR FLUID TUBE-S10 G2-RAMSEY-SHORT
18	2	07005597	I-BEAM WEAR PAD
19	10	04000844	FHSCS 5/16-18 x 5/8 ZP

Section V - PARTS

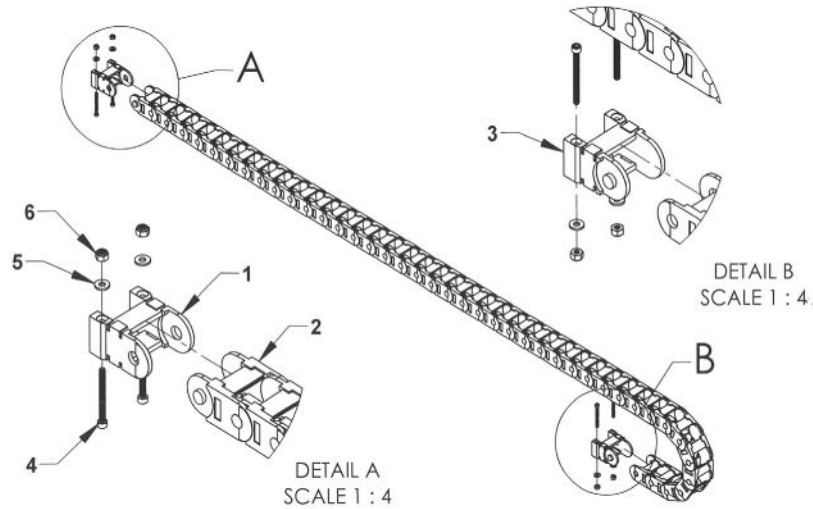
SST REMOVABLE BLADE RAIL SIDES

ASSEMBLY #	BED LENGTH	REMOVABLE BLADE RAIL SIDE COMBINATIONS
0909446-190	19.0 FT	
0909446-195	19.5 FT	
0909446-200	20.0 FT	
0909446-205	20.5 FT	
0909446-210	21.0 FT	
0909446-215	21.5 FT	
0909446-220	22.0 FT	

REF	PART #	DESCRIPTION	QPU
1	0809846-190L & R	SST FRONT REMOVABLE BLADE RAIL - 3 POST	SEE CHART
2	0809846-195L & R	SST FRONT REMOVABLE BLADE RAIL - 4 POST	SEE CHART
3	0809846-200L & R	SST FRONT REMOVABLE BLADE RAIL - 4 POST	SEE CHART
4	0809846-205L & R	SST FRONT REMOVABLE BLADE RAIL - 4 POST	SEE CHART
5	0809846-210L & R	SST FRONT REMOVABLE BLADE RAIL - 4 POST	SEE CHART
6	0809846-215L & R	SST FRONT REMOVABLE BLADE RAIL - 4 POST	SEE CHART
7	0809686L & R	SST REAR REMOVABLE BLADE RAIL - 4 POST	SEE CHART
8	0809846-220L & R	SST FRONT REMOVABLE BLADE RAIL - 3 POST	SEE CHART
9	0809195L & R	SST MIDDLE REMOVABLE BLADE RAIL - 3 POST	SEE CHART
10	0809770L & R	SST REAR REMOVABLE BLADE RAIL - 3 POST	SEE CHART

Section V - PARTS

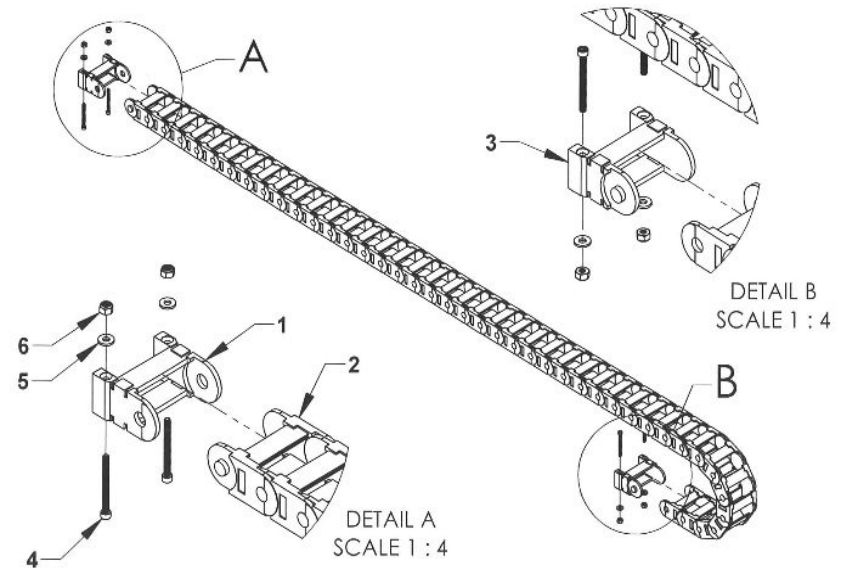
**IGUS TRACK AND BOLT KIT - 09020735
120" SLIDEBACK CYLINDER STROKE**



REF	QTY	PART #	DESCRIPTION
	1	09020735	IGUS 200.03.055 41 LINK TRACK & BOLT KIT
1	1	03017004	IGUS 2000.03.1 END LINK - FEMALE
2	45	03005615	IGUS 200.03.055 LINK
3	1	03017005	IGUS 2100.03.2 END LINK - MALE
4	4	0403165	BOLT SHCS #10-24 UNC x 2 ZP
5	4	0400450	FLAT WASHER #10 SAE ZP
6	4	0400358	NUT NYLOK #10-24 UNC ZP

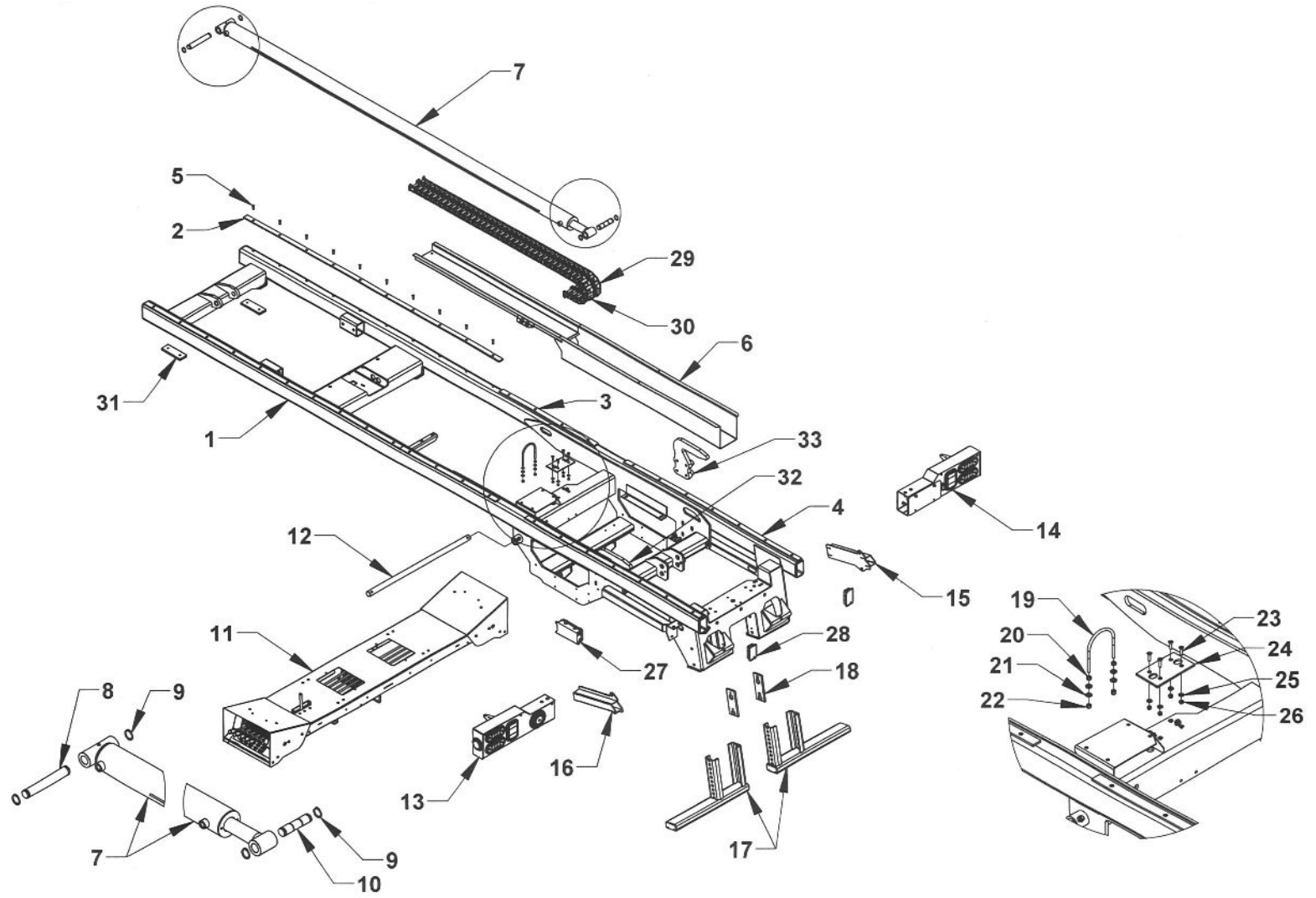
Section V - PARTS

**IGUS TRACK AND BOLT KIT - 09020734
120" SLIDEBACK CYLINDER STROKE**



REF	QTY	PART #	DESCRIPTION
	1	09020734	IGUS 200.05.055 41 LINK TRACK & BOLT KIT
1	1	03017002	IGUS 2000.05.1 END LINK - FEMALE
2	41	03011188	IGUS 200.05.055 LINK
3	1	03017003	IGUS 2100.05.2 END LINK - MALE
4	4	0403165	BOLT SHCS #10-24 UNC x 2 ZP
5	4	0400450	FLAT WASHER #10 SAE ZP
6	4	0400358	NUT NYLOK #10-24 UNC ZP

Section V - PARTS
SERIES 10 GEN2 19 - 19.5 FT SUBFRAME COMPONENTS
INBOARD TILT CYLINDERS

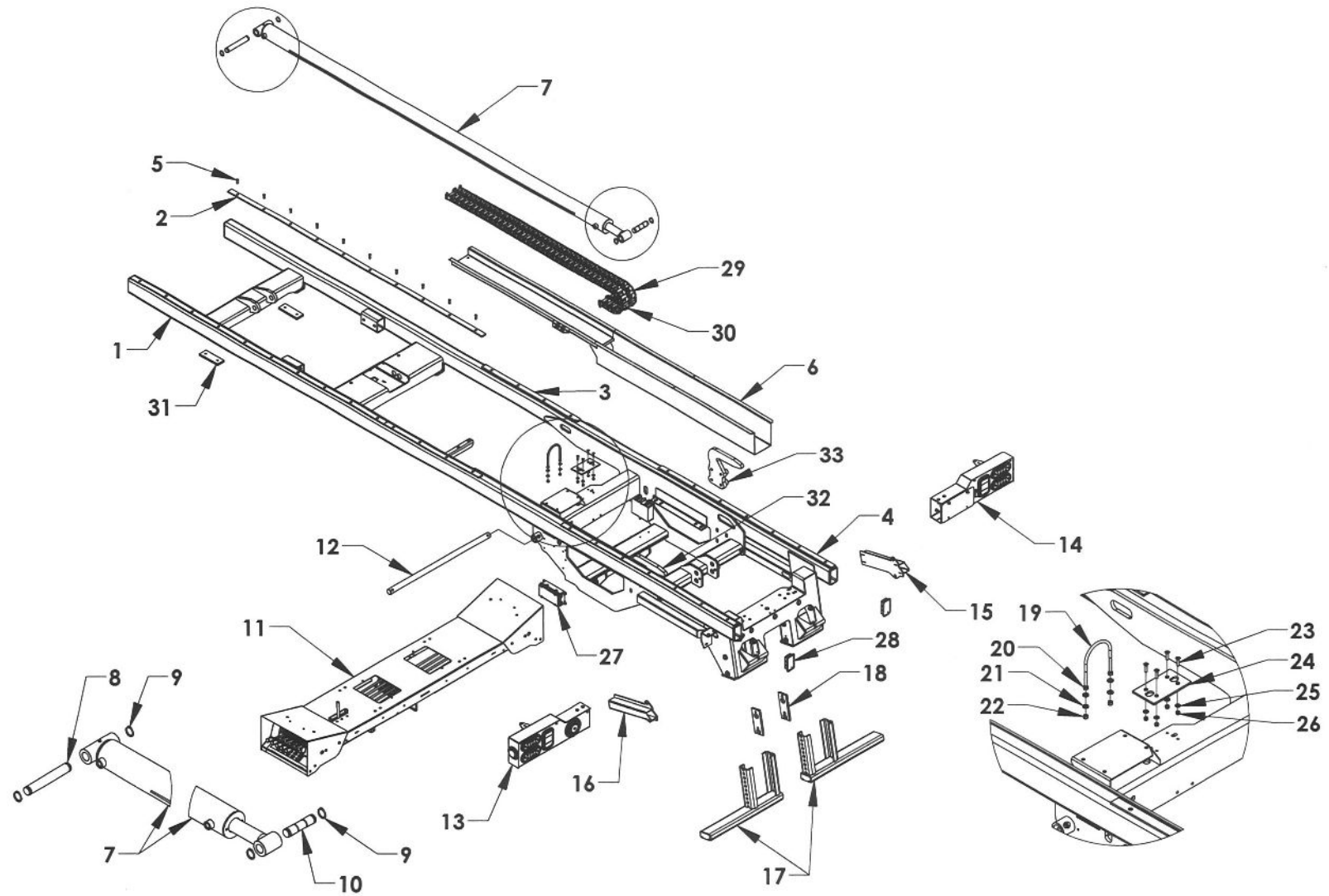


Section V - PARTS

SERIES 10 GEN II 19-19.5 FT SUBFRAME COMPONENTS - INBOARD TILT

REF NO.	QTY	PART NUMBER	DESCRIPTION
1	1	0809989-19	SERIES 10 G2 SUBFRAME WELDMENT - IB TILT
2	2	0308928-96	SUBFRAME BEARING PAD 5/16 x 1-1/2 x 96
3	2	0308928-36	SUBFRAME BEARING PAD 5/16 x 1-1/2 x 36
4	2	0308928N-66	SUBFRAME BEARING PAD 5/16 x 1-1/2 x 66
5	42	04000321	BOLT 5/16 -18 x 1-1/4 COUNTERSUNK TORX ST
6	1	08098242	DUAL BAY HOSE TRAY
7	1	72A35120	SLIDEBACK CYLINDER 3.5 BORE x 120 STROKE
8	1	13302010	SLIDEBACK CYLINDER MOUNTING PIN 1.230
9	4	86125E	1-1/4 SNAP RING - EXTERNAL
10	1	32117	SLIDEBACK CYLINDER MOUNTING PIN 1.230
11	1	183126	6-SPOOL CONTROL STATION
		183129	9-SPOOL CONTROL STATION
12	1	0752164	SERIES 10 GEN2 SUBFRAME HINGE PIN
13	1	0940325L	CENTURY TAIL LIGHT HOUSING GROUP - LH
14	1	0940325R	CENTURY TAIL LIGHT HOUSING GROUP - RH
15	1	160540R	L-ARM STORAGE TUBE - 4K RIGHT (OPTIONAL) - SCOOP
		160535R	L-ARM STORAGE TUBE - 4K RIGHT (OPTIONAL) - DROP-IN
		0809287R	L-ARM STORAGE TUBE - 4K RIGHT (STD) SLIDE-IN ARM
16	1	160540L	L-ARM STORAGE TUBE - 4K LEFT (OPTIONAL) - SCOOP
		160535L	L-ARM STORAGE TUBE - 4K LEFT (OPTIONAL) - DROP-IN
		0809287L	L-ARM STORAGE TUBE - 4K LEFT (STANDARD) SLIDE-IN ARM
17	2	0809188	SERIES 10 EXTENSION STAND
18	2	0750409	STABILIZER WHEEL LIFT GUIDE PAD
19	1	81286	U-BOLT 3/8-16 UNC
20	2	0400394	HEX NUT 3/8-16 UNC
21	4	0400480	FLAT WASHER 3/8
22	2	0400392	NYLON LOCK NUT 3/8-16 UNC
23	4	0403162	BOLT 5/16-18 UNC - ALLEN COUNTERSUNK
24	1	0751223	LCG 12/16/20 S/B CYLINDER SUPPORT PAD
25	4	0400465	FLAT WASHER 5/16
26	4	0400382	NYLON LOCK NUT 5/16-18 UNC
27	1	0303385	10 POST JUNCTION BOX
28	2	0308748	5 x 3 x 5/16 SUBFRAME TUBE PLUG
29	1	09020735	IGUS 200.03.055 41 LINK TRACK AND BOLT KIT
30	1	09020734	IGUS 200.05.055 41 LINK TRACK AND BOLT KIT
31	2	0752166	SERIES 10 GEN2 SUBFRAME LANDING PAD
32	1	0809759L	RIGHT APPROACH REAR BED-LOCK - LH
33	1	0809759R	RIGHT APPROACH REAR BED-LOCK - RH

Section V - PARTS
SERIES 10 GEN2 21 - 22 FT SUBFRAME COMPONENTS
INBOARD TILT CYLINDERS

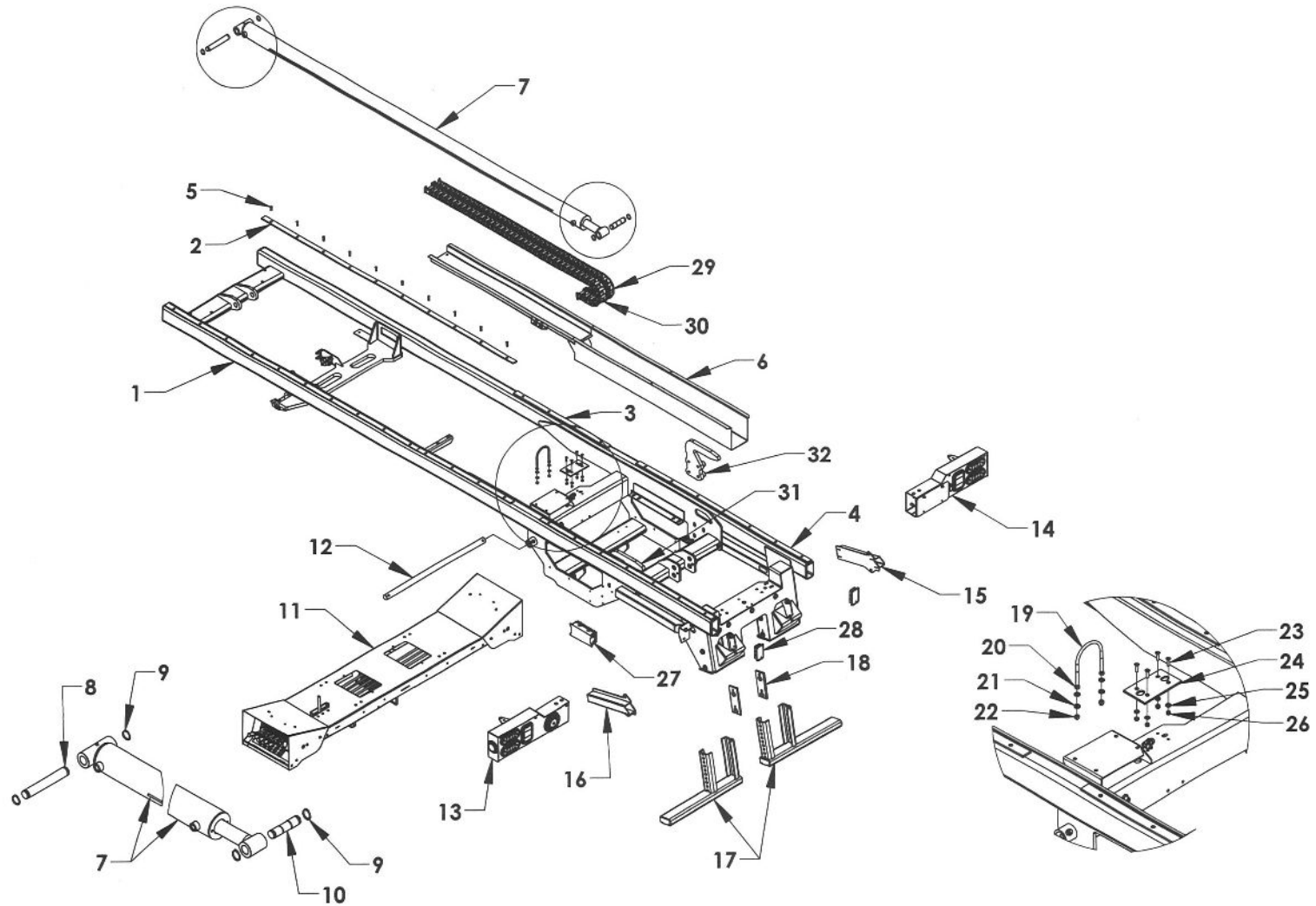


Section V - PARTS

SERIES 10 GEN II 21 - 22 FT SUBFRAME INBOARD COMPONENTS

REF NO.	QTY	PART NUMBER	DESCRIPTION
1	1	0809962	SERIES 10 G2 SUBFRAME WELDMENT - IB TILT
2	2	0308928-96	SUBFRAME BEARING PAD 5/16 x 1-1/2 x 96
3	2	0308928-36	SUBFRAME BEARING PAD 5/16 x 1-1/2 x 36
4	2	0308928N-66	SUBFRAME BEARING PAD 5/16 x 1-1/2 x 66
5	42	04000321	BOLT 5/16 -18 x 1-1/4 COUNTERSUNK TORX ST
6	1	0809824	DUAL BAY HOSE TRAY
7	1	72A35120	SLIDEBACK CYLINDER 3.5 BORE x 120 STROKE
8	1	13302010	SLIDEBACK CYLINDER MOUNTING PIN 1.230
9	4	86125E	1-1/4 SNAP RING - EXTERNAL
10	1	32117	SLIDEBACK CYLINDER MOUNTING PIN 1.230
11	1	183126	6-SPOOL CONTROL STATION
		183129	9-SPOOL CONTROL STATION
12	1	0752164	SERIES 10 GEN2 SUBFRAME HINGE PIN
13	1	0940325L	CENTURY TAIL LIGHT HOUSING GROUP - LH
14	1	0940325R	CENTURY TAIL LIGHT HOUSING GROUP - RH
15	1	160540R	L-ARM STORAGE TUBE - 4K RIGHT (OPTIONAL) - SCOOP
		160535R	L-ARM STORAGE TUBE - 4K RIGHT (OPTIONAL) - DROP-IN
		0809287R	L-ARM STORAGE TUBE - 4K RIGHT (STD) SLIDE-IN ARM
16	1	160540L	L-ARM STORAGE TUBE - 4K LEFT (OPTIONAL) - SCOOP
		160535L	L-ARM STORAGE TUBE - 4K LEFT (OPTIONAL) - DROP-IN
		0809287L	L-ARM STORAGE TUBE - 4K LEFT (STD) SLIDE-IN ARM
17	2	0809188	SERIES 10 EXTENSION STAND
18	2	0750409	STABILIZER WHEEL LIFT GUIDE PAD
19	1	81286	U-BOLT 3/8-16 UNC
20	2	0400394	HEX NUT 3/8-16 UNC
21	4	0400480	FLAT WASHER 3/8
22	2	0400392	NYLON LOCK NUT 3/8-16 UNC
23	4	0403162	BOLT 5/16-18 UNC - ALLEN COUNTERSUNK
24	1	0751223	LCG 12/16/20 S/B CYLINDER SUPPORT PAD
25	4	0400465	FLAT WASHER 5/16
26	4	0400382	NYLON LOCK NUT 5/16-18 UNC
27	1	0303385	10 POST JUNCTION BOX
28	2	0308748	5 x 3 x 5/16 SUBFRAME TUBE PLUG
29	1	09020735	IGUS 200.03.055 41 LINK TRACK AND BOLT KIT
30	1	09020734	IGUS 200.05.055 41 LINK TRACK AND BOLT KIT
31	2	0752166	SERIES 10 GEN2 SUBFRAME LANDING PAD
32	1	0809759L	RIGHT APPROACH REAR BED-LOCK - LH
33	1	0809759R	RIGHT APPROACH REAR BED-LOCK - RH

Section V - PARTS
SERIES 10 GEN2 19-19.5 FT SUBFRAME COMPONENTS
OUTBOARD TILT CYLINDERS



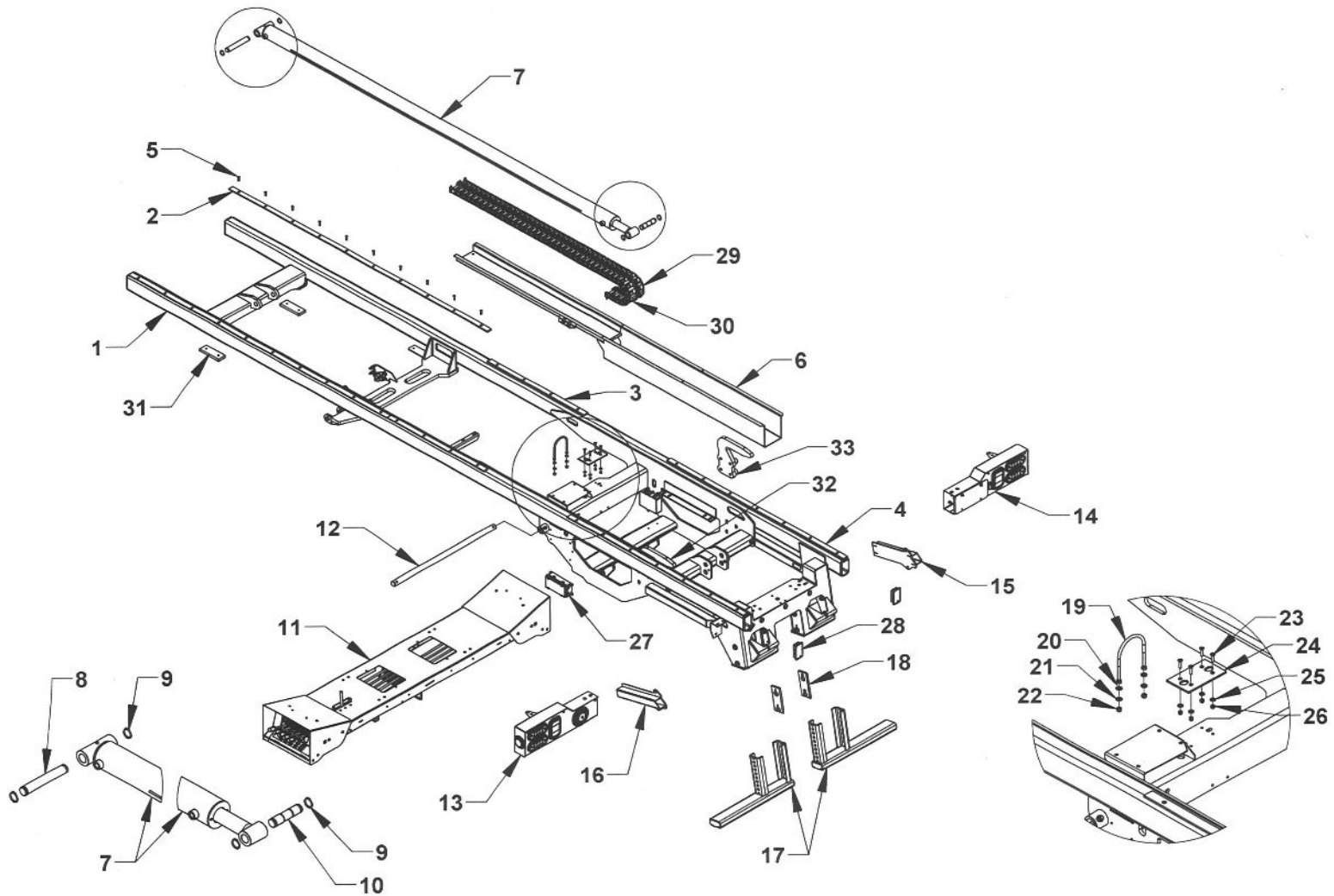
Section V - PARTS

SERIES 10 GEN II 19-19.5 FT SUBFRAME COMPONENTS - OUTBOARD TILT

REF NO.	QTY	PART NUMBER	DESCRIPTION
1	1	0809918	SERIES 10 G2 SUBFRAME WELDMENT - OB TILT
2	2	0308928-96	SUBFRAME BEARING PAD 5/16 x 1-1/2 x 96
3	2	0308928-36	SUBFRAME BEARING PAD 5/16 x 1-1/2 x 36
4	2	0308928N-66	SUBFRAME BEARING PAD 5/16 x 1-1/2 x 66
5	42	04000321	BOLT 5/16 -18 x 1-1/4 COUNTERSUNK TORX ST
6	1	08098242	DUAL BAY HOSE TRAY
7	1	72A35120	SLIDEBACK CYLINDER 3.5 BORE x 120 STROKE
8	1	13302010	SLIDEBACK CYLINDER MOUNTING PIN 1.230
9	4	86125E	1-1/4 SNAP RING - EXTERNAL
10	1	32117	SLIDEBACK CYLINDER MOUNTING PIN 1.230
11	1	183126	6-SPOOL CONTROL STATION
		183129	9-SPOOL CONTROL STATION
12	1	0752164	SERIES 10 GEN2 SUBFRAME HINGE PIN
13	1	0940325L	CENTURY TAIL LIGHT HOUSING GROUP - LH
14	1	0940325R	CENTURY TAIL LIGHT HOUSING GROUP - RH
15	1	160540R	L-ARM STORAGE TUBE - 4K RIGHT (OPTIONAL) - SCOOP
		160535R	L-ARM STORAGE TUBE - 4K RIGHT (OPTIONAL) - DROP-IN
		0809287R	L-ARM STORAGE TUBE - 4K RIGHT (STD) SLIDE-IN ARM
16	1	160540L	L-ARM STORAGE TUBE - 4K LEFT (OPTIONAL) - SCOOP
		160535L	L-ARM STORAGE TUBE - 4K LEFT (OPTIONAL) - DROP-IN
		0809287L	L-ARM STORAGE TUBE - 4K LEFT (STD) SLIDE-IN ARM
17	2	0809188	SERIES 10 EXTENSION STAND
18	2	0750409	STABILIZER WHEEL LIFT GUIDE PAD
19	1	81286	U-BOLT 3/8-16 UNC
20	2	0400394	HEX NUT 3/8-16 UNC
21	4	0400480	FLAT WASHER 3/8
22	2	0400392	NYLON LOCK NUT 3/8-16 UNC
23	4	0403162	BOLT 5/16-18 UNC - ALLEN COUNTERSUNK
24	1	0751223	LCG 12/16/20 S/B CYLINDER SUPPORT PAD
25	4	0400465	FLAT WASHER 5/16
26	4	0400382	NYLON LOCK NUT 5/16-18 UNC
27	1	0303385	10 POST JUNCTION BOX
28	2	0308748	5 x 3 x 5/16 SUBFRAME TUBE PLUG
29	1	09020735	IGUS 200.03.055 41 LINK TRACK AND BOLT KIT
30	1	09020734	IGUS 200.05.055 41 LINK TRACK AND BOLT KIT
31	2	0809759L	RIGHT APPROACH REAR BED-LOCK - LH
32	1	0809759R	RIGHT APPROACH REAR BED-LOCK - RH

Section V - PARTS

SERIES 10 GEN2 21-22 FT SUBFRAME COMPONENTS
OUTBOARD TILT CYLINDERS

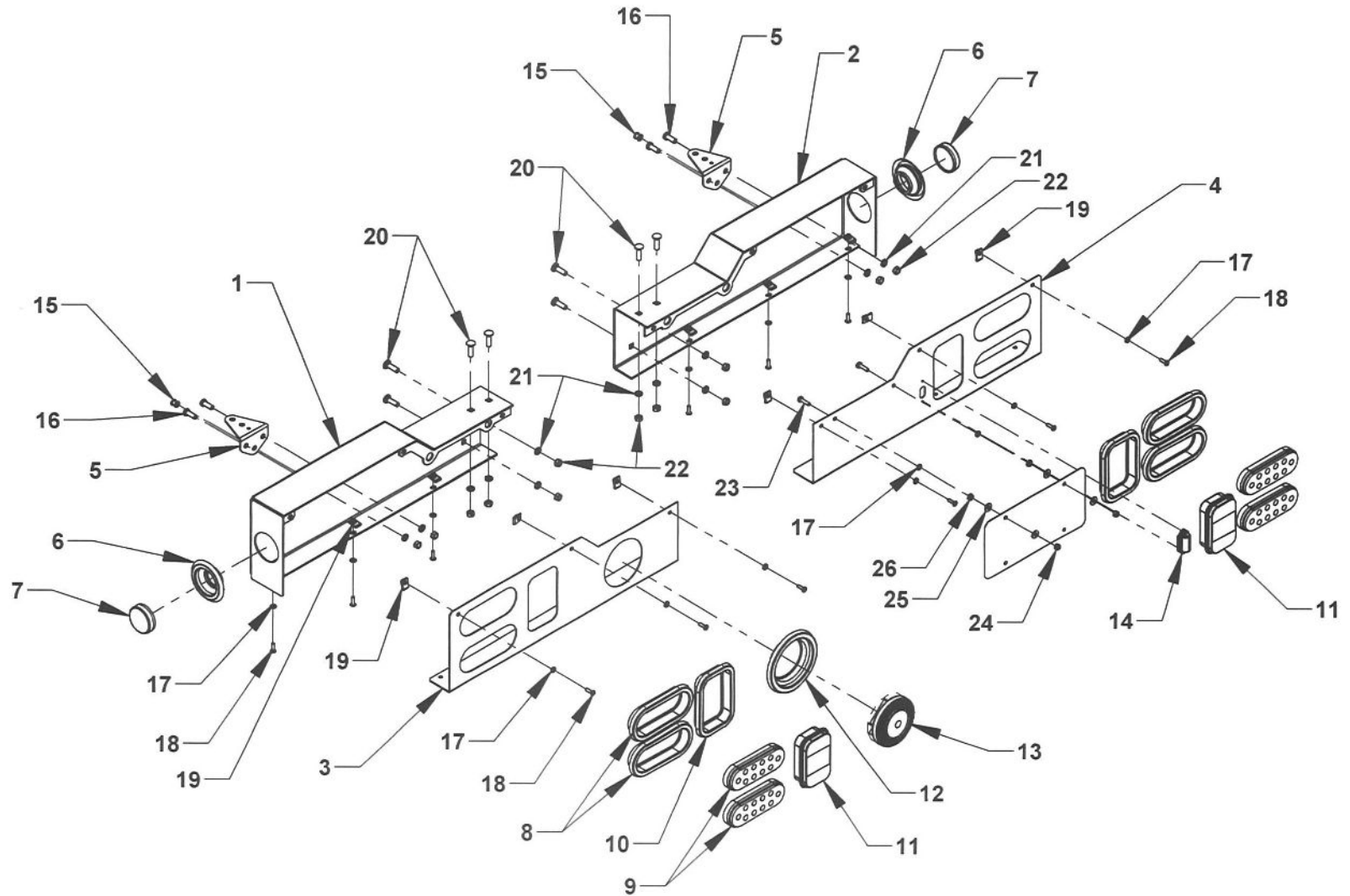


Section V - PARTS

SERIES 10 GEN II 21-22 FT SUBFRAME COMPONENTS - OUTBOARD TILT

REF NO.	QTY	PART NUMBER	DESCRIPTION
1	1	0811199	SERIES 10 G2 SUBFRAME WELDMENT - OB TILT
2	2	0308928-96	SUBFRAME BEARING PAD 5/16 x 1-1/2 x 96
3	2	0308928-36	SUBFRAME BEARING PAD 5/16 x 1-1/2 x 36
4	2	0308928N-66	SUBFRAME BEARING PAD 5/16 x 1-1/2 x 66
5	42	04000321	BOLT 5/16 -18 x 1-1/4 COUNTERSUNK TORX ST
6	1	08098242	DUAL BAY HOSE TRAY
7	1	72A35120	SLIDEBACK CYLINDER 3.5 BORE x 120 STROKE
8	1	13302010	SLIDEBACK CYLINDER MOUNTING PIN 1.230
9	4	86125E	1-1/4 SNAP RING - EXTERNAL
10	1	32117	SLIDEBACK CYLINDER MOUNTING PIN 1.230
11	1	183126	6-SPOOL CONTROL STATION
		183129	9-SPOOL CONTROL STATION
12	1	0752164	SERIES 10 GEN2 SUBFRAME HINGE PIN
13	1	0940325L	CENTURY TAIL LIGHT HOUSING GROUP - LH
14	1	0940325R	CENTURY TAIL LIGHT HOUSING GROUP - RH
15	1	160540R	L-ARM STORAGE TUBE - 4K RIGHT (OPTIONAL) - SCOOP
		160535R	L-ARM STORAGE TUBE - 4K RIGHT (OPTIONAL) - DROP-IN
		0809287R	L-ARM STORAGE TUBE - 4K RIGHT (STD) SLIDE-IN ARM
16	1	160540L	L-ARM STORAGE TUBE - 4K LEFT (OPTIONAL) - SCOOP
		160535L	L-ARM STORAGE TUBE - 4K LEFT (OPTIONAL) - DROP-IN
		0809287L	L-ARM STORAGE TUBE - 4K LEFT (STD) SLIDE-IN ARM
17	2	0809188	SERIES 10 EXTENSION STAND
18	2	0750409	STABILIZER WHEEL LIFT GUIDE PAD
19	1	81286	U-BOLT 3/8-16 UNC
20	2	0400394	HEX NUT 3/8-16 UNC
21	4	0400480	FLAT WASHER 3/8
22	2	0400392	NYLON LOCK NUT 3/8-16 UNC
23	4	0403162	BOLT 5/16-18 UNC - ALLEN COUNTERSUNK
24	1	0751223	LCG 12/16/20 S/B CYLINDER SUPPORT PAD
25	4	0400465	FLAT WASHER 5/16
26	4	0400382	NYLON LOCK NUT 5/16-18 UNC
27	1	0303385	10 POST JUNCTION BOX
28	2	0308748	5 x 3 x 5/16 SUBFRAME TUBE PLUG
29	1	09020735	IGUS 200.03.055 41 LINK TRACK AND BOLT KIT
30	1	09020734	IGUS 200.05.055 41 LINK TRACK AND BOLT KIT
31	2	0752166-OBT	SERIES 10 GEN2 SUBFRAME LANDING PAD-OBT
32	1	0809759L	RIGHT APPROACH REAR BED-LOCK - LH
33	1	0809759R	RIGHT APPROACH REAR BED-LOCK - RH

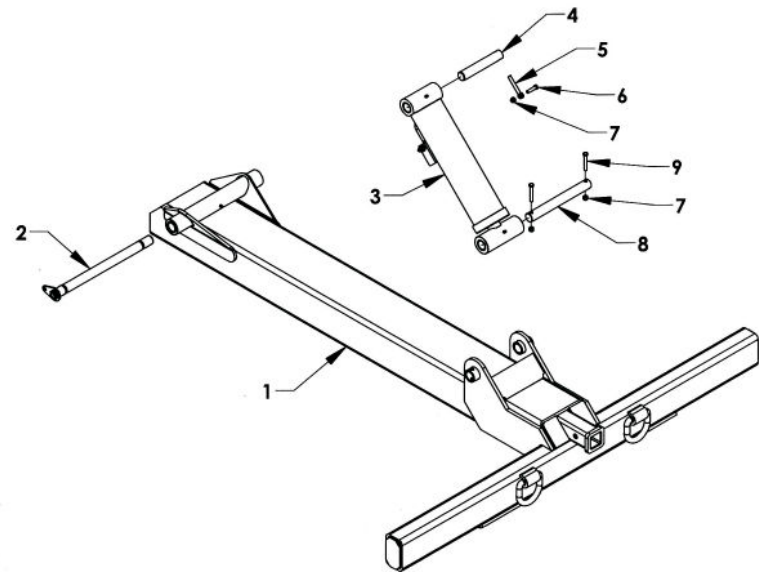
Section V - PARTS
TAIL LIGHT COMPONENTS



**Section V - PARTS
TAIL LIGHT COMPONENTS**

REF	QPU	PART NO.	DESCRIPTION
1	1	0809517L	TAIL LIGHT HOUSING WELDMENT - LH
2	1	0809517R	TAIL LIGHT HOUSING WELDMENT - RH
3	1	0751892L	12/16/20 LCG TAIL LIGHT HOUSING BEZEL - LH G2
4	1	0751892R	12/16/20 LCG TAIL LIGHT HOUSING BEZEL - RH G2
5	2	0750672	WORK LIGHT MOUNTING BRACKET
6	2	0311516	2-1/2 IN. MARKER LIGHT GROMMET
7	2	0311512	2-1/2 IN. RED MARKER LIGHT
8	4	0311503	6 IN. OVAL GROMMET
9	4	0311498	6 IN. OVAL RED LIGHT
10	2	0311511	CARRIER TAIL LIGHT GROMMET
11	2	0311510	CARRIER BACK UP LIGHT
12	1	0311528	BACK UP ALARM GROMMET
13	1	0306385	BACK UP ALARM
14	1	0311525	LICENSE PLATE LIGHT
15	2	0306113	TAIL LIGHT WIRE GROMMET
16	4	0400126	BOLT, HHCS 3/8-16 UNC x 1
17	14	0402111	LOCK WASHER - 1/4 SAE SS
18	12	0400071	SCREW 1/4-20 UNC x 3/4 RD HD PHIL SS
19	12	0400371	"U" NUT 1/4-20 UNC
20	8	0403053	BOLT, CARRIAGE 3/8-16 UNC x 1-1/4 SS
21	12	0402121	LOCK WASHER - 3/8 SAE SS
22	12	0402122	HEX NUT 3/8-16 UNC SS
23	2	0402021	BOLT, HHCS 1/4-20 UNC x 1 SS
24	2	0403052	NYLON LOCK NUT 1/4-20 UNC SS
25	4	0402110	FLAT WASHER 1/4 SAE SS
26	2	0400366	JAM NUT 1/4-20 UNC

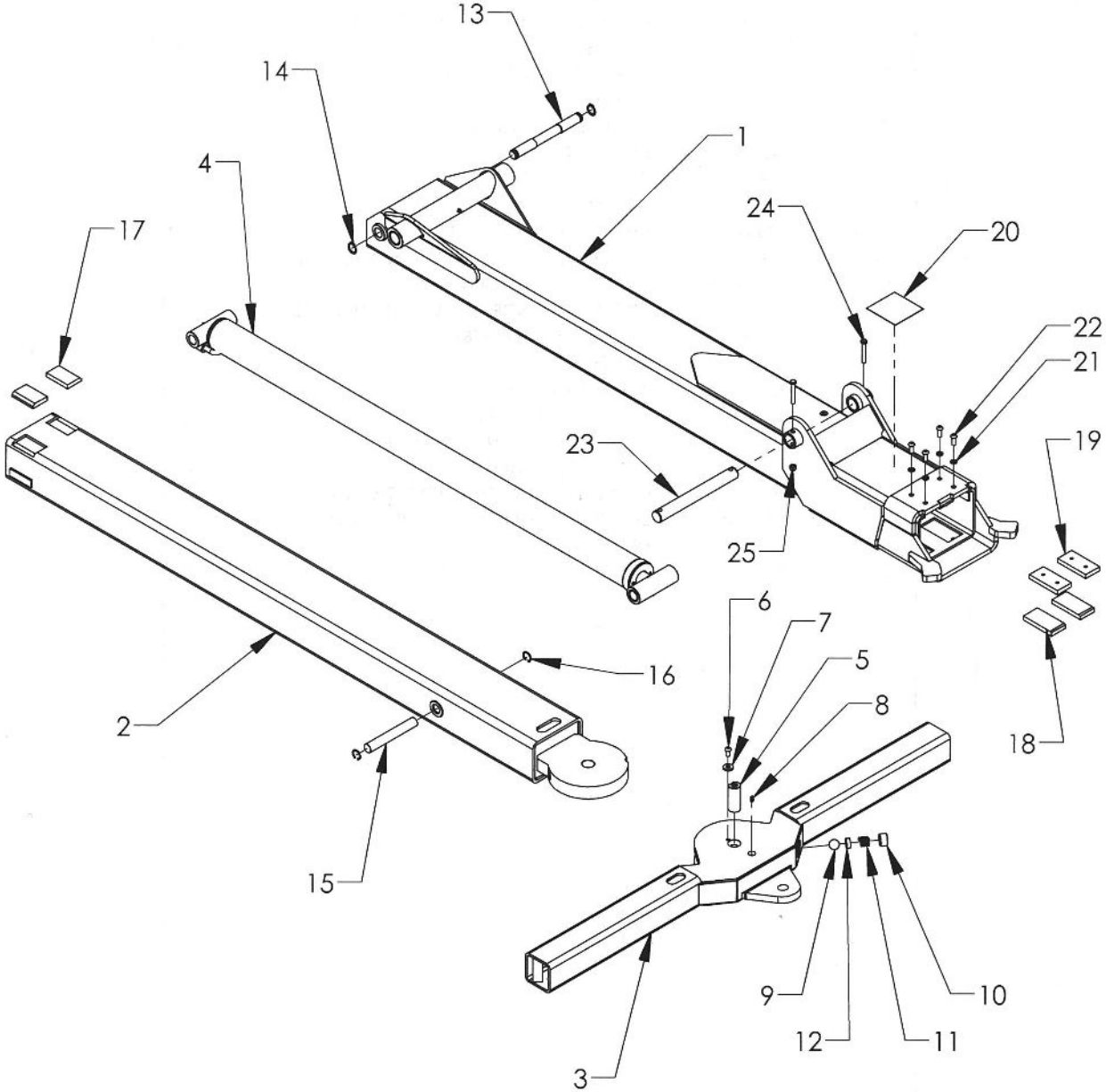
**Section V- PARTS
DOCK STABILIZER**



REF NO.	NO REQ'D	PART NUMBER	DESCRIPTION
1	1	0810010-10	DOCK STABILIZER WELDMENT
2	1	0809411U	WHEEL LIFT BOOM HINGE PIN
3	1	0308372-1175	DOCK STABILIZER CYL. 4 x 11.75
4	1	0750562	EURO SCL LIFT CYL MTG PIN-BASE
5	1	84680	KEEPER PIN 3/8 ROD END
6	1	0400132	BOLT HHCS, 3/8-16 UNC x 1-1/2
7	2	0400392	NYLON LOCK NUT 3/8-16 ZP
8	1	0750523	WHEEL LIFT REAR MTG PIN
9	2	0400150	BOLT HHCS 3/8-16 UNC x 2-1/2

Section V - PARTS

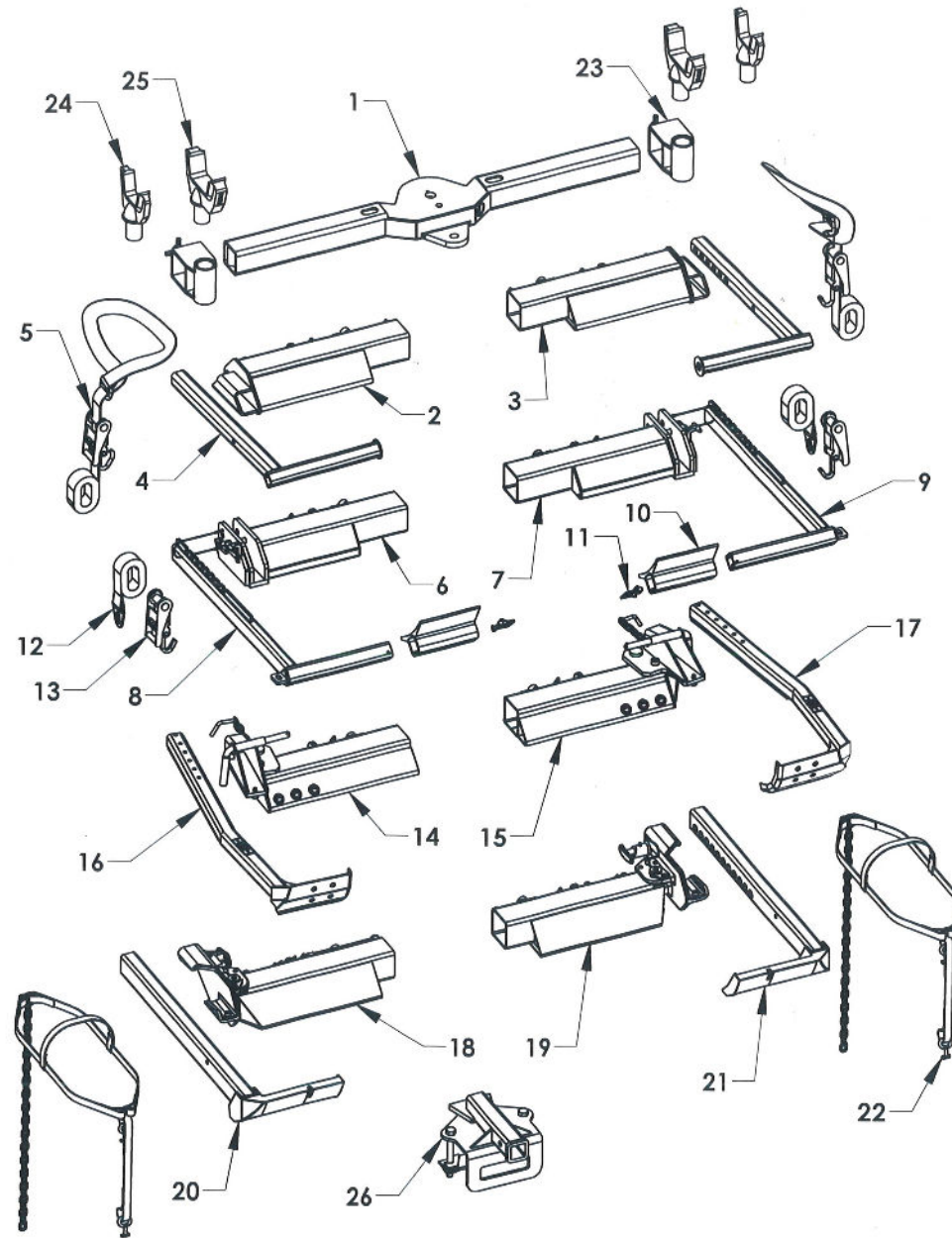
3,000 LB.WHEEL LIFT
GEN 2 SERIES 10



Section V - PARTS**3,000 LB. WHEEL LIFT - GEN 2 - 0940450**

REF. NO.	NO. REQ'D	PART NUMBER	DESCRIPTION
1	1	10240408	UNDERLIFT OUTER BOOM TUBE - 4K
2	1	0811159	UNDERLIFT INNER BOOM TUBE - 4K
3	1	0811160	CROSSBAR 4K
4	1	72A30054	UNDERLIFT EXTEND CYLINDER 3 x 54
5	1	0940433	CROSSBAR PIVOT PIN
6	1	0403004	CAP SCREW BUTTON HD 3/8-16 x 54
7	1	0720463	WASHER
8	1	0300113	GREASE FITTING 1/4-28
9	1	0308129	DETENT BALL
10	1	0308130	DETEND PLUG
11	1	0308131	DETENT SPRING
12	1	07003396	SPACER CROSSBAR DETENT
13	1	729352	EXTEND CYLINDER MOUNTING PIN-BASE
14	2	86100E	SNAP-RING 1.00 EXTERNAL HD
15	1	72940	EXTEND CYLINDER MOUNTING PIN-ROD
16	2	86100I	SNAP-RING 1.00 INTERNAL
17	2	65613	WEAR PAD 1/2 x 2 x 3
18	2	63595	WEAR PAD 1/2 x 2 x 4
19	2	63595H	SPACER PAD 1/2 x 2 x 4
20	1	0540042	UNDERLIFT RATING PLATE 3K
21	4	0400482	3/8 LOCK WASHER
22	4	0403139	CAP SCREW BUTTON HEAD 3/8-16 x 1
23	1	0750523	LIFT CYLINDER MTG PIN 1.25 x 11.062
24	2	0400150	HHCS 3/8-16 x 2-1/2
25	2	0400392	NYLON LOCK NUT 3/8-16

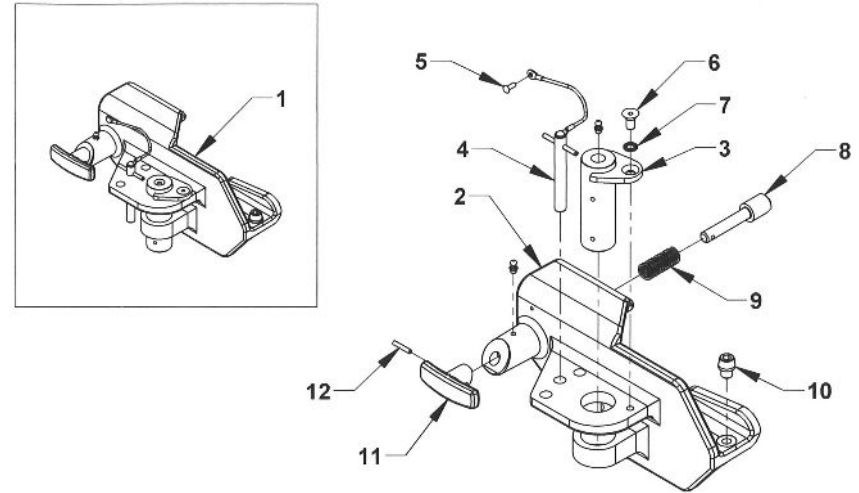
Section V - PARTS
WHEEL-LIFT CROSSBAR ATTACHMENTS



Section V - PARTS
WHEEL LIFT CROSSBAR ATTACHMENTS

REF NO.	NO REQ'D	PART NUMBER	DESCRIPTION
1	1	0811160	CROSSBAR 4K (3.5 x 3.5)
2	1	0809283L	4-INCH WHEEL GRID - LH
3	1	0809283R	4-INCH WHEEL GRID - RH
4	2	08006748	STEEL L-ARM 4000 LB
5	2	0308664	STRAP AND RATCHET PIVOT ASSEMBLY
6	1	0940434L	WHEEL GRID (DROP-IN L-ARM) - LH
7	1	0940434R	WHEEL GRID (DROP-IN L-ARM) - RH
8	1	65250L	4000 LB L-ARM - LH
9	1	65250R	4000 LB L-ARM - RH
10	2	65246	REMOVABLE PAN (CHEVRON)
11	2	84911	SAFETY PIN, 5/16 (CHERON)
12	2	65285	WHEEL STRAP WITH D-RING
13	2	65280A	RATCHET AND HOOK
14	1	8800800	LH WHEEL GRID
15	1	8800900	RH WHEEL GRID
16	1	8700190	LH WHEEL RETAINER
17	1	8700180	RH WHEEL RETAINER
18	1	0909499L	WHEEL GRID 3WP - LH
19	1	0909499R	WHEEL GRID 3WP - RH
20	1	0803648	3-WAY PIVOT L-ARM - LH
21	1	0803649	3-WAY PIVOT L-ARM - RH
22	2	0902382	1 INCH NYLON POLY COAT BASKET STRAP
	2	65287	BASKET TIRE STRAP - MEDIUM-LARGE, BLUE
23	2	65460	3-1/2 INCH FORK HOLDER
24	2	663530	FRAME FORK, 3 INCH CAST
25	2	663545	FRAME FORK SHORT, 4-1/2 INCH CAST
26	1	0940458	REESE HITCH RECEIVER, COMMON GEN2

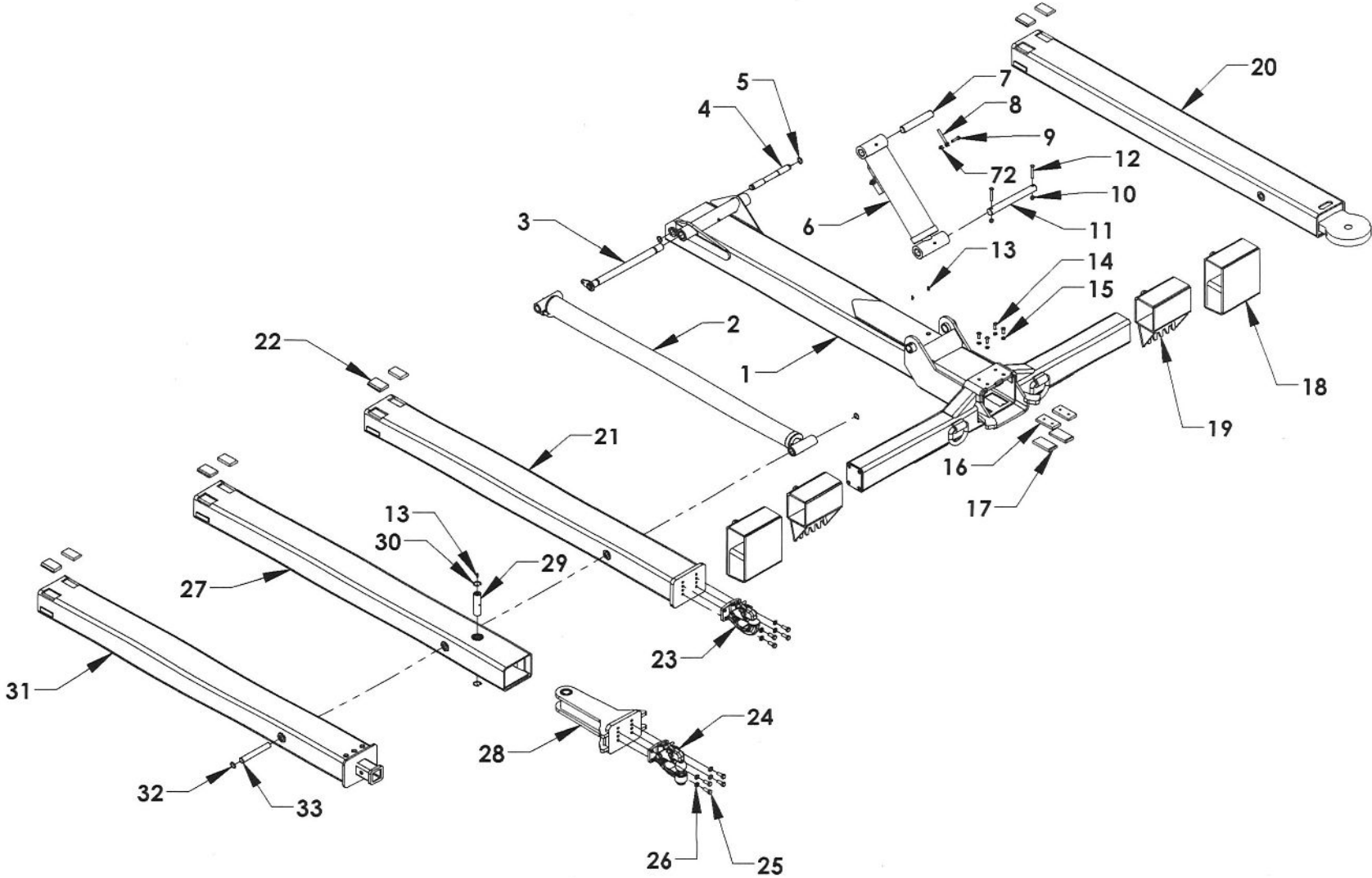
Section V - PARTS
PIVOT L-ARM RECEIVER GROUP



REF. NO.	NO. REQ'D	PART NUMBER	DESCRIPTION
1	1	09007328L	PIVOT L-ARM RECEIVER GROUP - LH
		09007328R	PIVOT L-ARM RECEIVER GROUP - RH
2	1	0719079	PIVOT L-ARM RECEIVER CASTING - LH
		0719080	PIVOT L-ARM RECEIVER CASTING - RH
3	1	0802187	L-ARM RECEIVER CASTING PIVOT PIN
4	1	0904744	PIN ASSEMBLY
	1	0714415	PIVOT LOCK PIN
	1	0303918	LANYARD
	1	0400044	DRIVE SCREW #10-24 x 1/2 ROUND HEAD
5	1	0400044	DRIVE SCREW #10-24 x 1/2 ROUND HEAD
6	1	0400349	SCREW 3/8-16 x 1/2 FHSC
7	1	0400481	LOCK WASHER 3/8 EXTERNAL TOOTH
8	1	0707505	7/8 CAM PIN
9	1	0302641	CAM PIN SPRING
10	1	0712933	SCREW 1/2-13 x 1/2 TAPERED SOCKET CAP
11	1	0302648	T-HANDLE
12	1	0400559	ROLL PIN 3/16 -1

Section V - PARTS

3,000 LB. UNDERLIFTS
GEN 2 SERIES 10

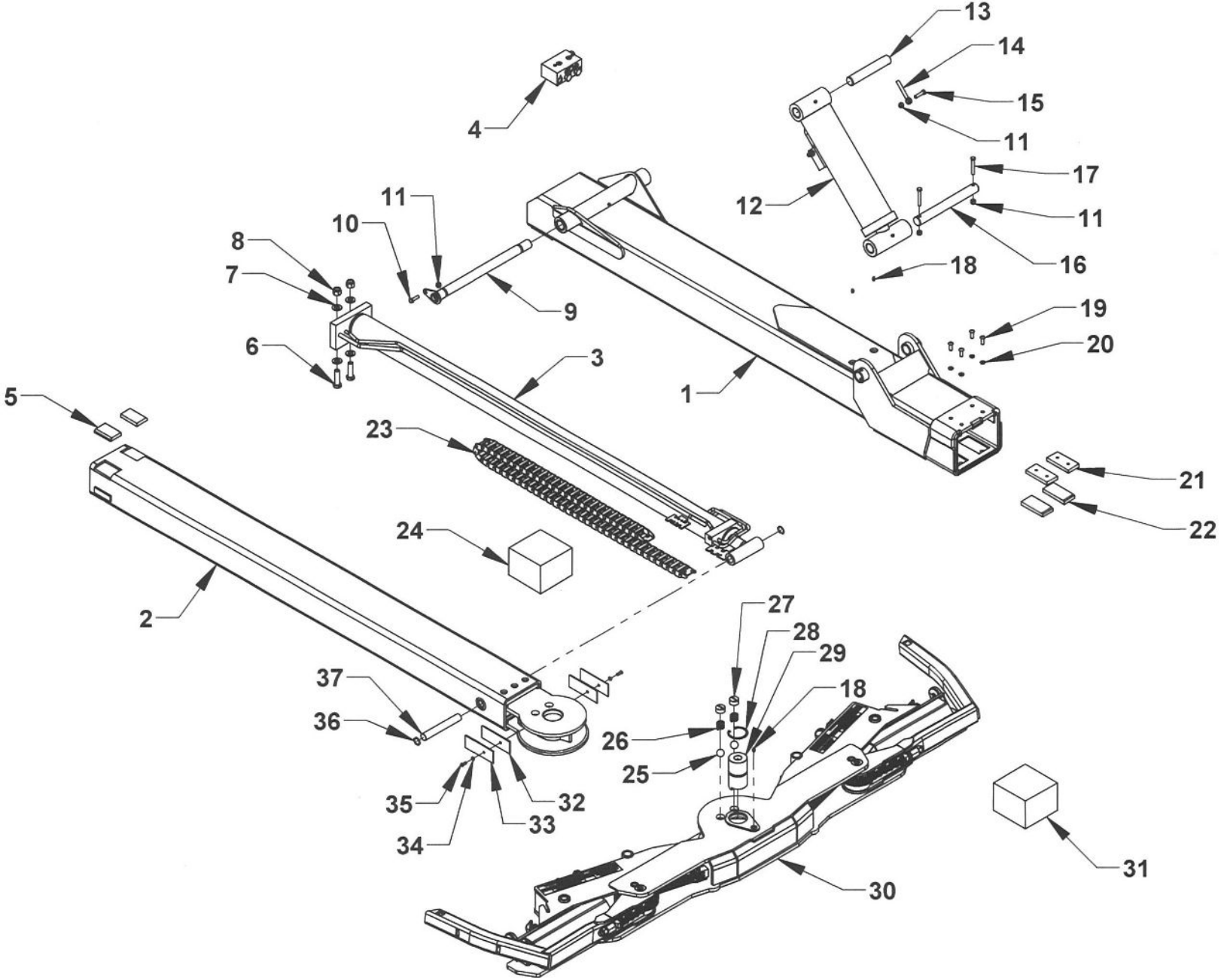


Section V - PARTS

3,000 LB. UNDERLIFT - GEN 2

REF. NO.	NO. REQ'D	PART NUMBER	DESCRIPTION
1	1	10240408DS	UNDERLIFT OUTER BOOM TUBE
2	1	72A30054	WL EXTEND CYLINDER 3.0 BORE x 54 STROKE
3	1	0809411U	WHEEL LIFT BOOM HINGE PIN
4	1	729352	PIN - WHEEL LIFT EXTEND CYLINDER BASE
5	2	86100E	SNAP RING 1' EXTERNAL
6	1	0308372-1175	DOCK STABILIZER CYL. 4.0 BORE x 11.75 STROKE
7	1	0750562	EURO SCL LIFT CYL MOUNTING PIN-BASE
8	1	84680	KEEPER PIN 3/8 ROD END
9	1	0400132	BOLT, HHCS 3/8-16 UNC x 1-1/2
10	3	0400392	NYLON LOCK NUT 3/8-16 UNC
11	1	0750523	WHEEL LIFT REAR MOUNTING PIN
12	2	0400150	BOLT, HHCS 3/8-16 UNC x 2-1/2
13	3	7B130	GREASE FITTING 1/4-28
14	4	0403139	BOLT, BHCS 3/8-16 UNC x 1
15	4	0400482	LOCK WASHER 3/8
16	4	63595H	WEAR PAD NYLATRON NSM 1/2 x 2 x 4 W/HOLES
17	4	63595	WEAR PAD NYLATRON NSM 1/2 x 2 x 4
18	2	0809898-54	DOCK STABILIZER EXTENSION STAND (OPT)
19	2	0809646-54	DOCK STABILIZER SPADE (OPT)
20	1	0811159	4K UNDERLIFT INNER BOOM TUBE
21	1	10244P	4K UNDERLIFT INNER PINTLE BOOM TUBE
22	2	65613	WEAR PAD 1/2 x 2 x 3 NSM BEVELED
23	1	A3020H	PINTLE HOOK
24	1	A3020	PINTLE BALL
25	4	0400177	BOLT, HHCS 1/2-13 UNC x 1-1/4
26	4	0400491	WASHER 1/2 LOCK
27	1	102404-PP	4K INNER BOOM-PIVOTING PINTLE
28	1	143355	PIVOTING PINTLE HEAD WELDMENT - 4K
29	1	143142PP	PIN - PIVOTING PINTLE HEAD 4K
30	2	86125I	SNAP RING 1-1/4 INTERNAL
31	1	10244R	4K INNER BOOM - REESE RECEIVER
32	2	86100I	SNAP RING 1" INTERNAL
33	1	72940	CYLINDER PIN

Section V- PARTS
AUTOGRIP WHEEL LIFT

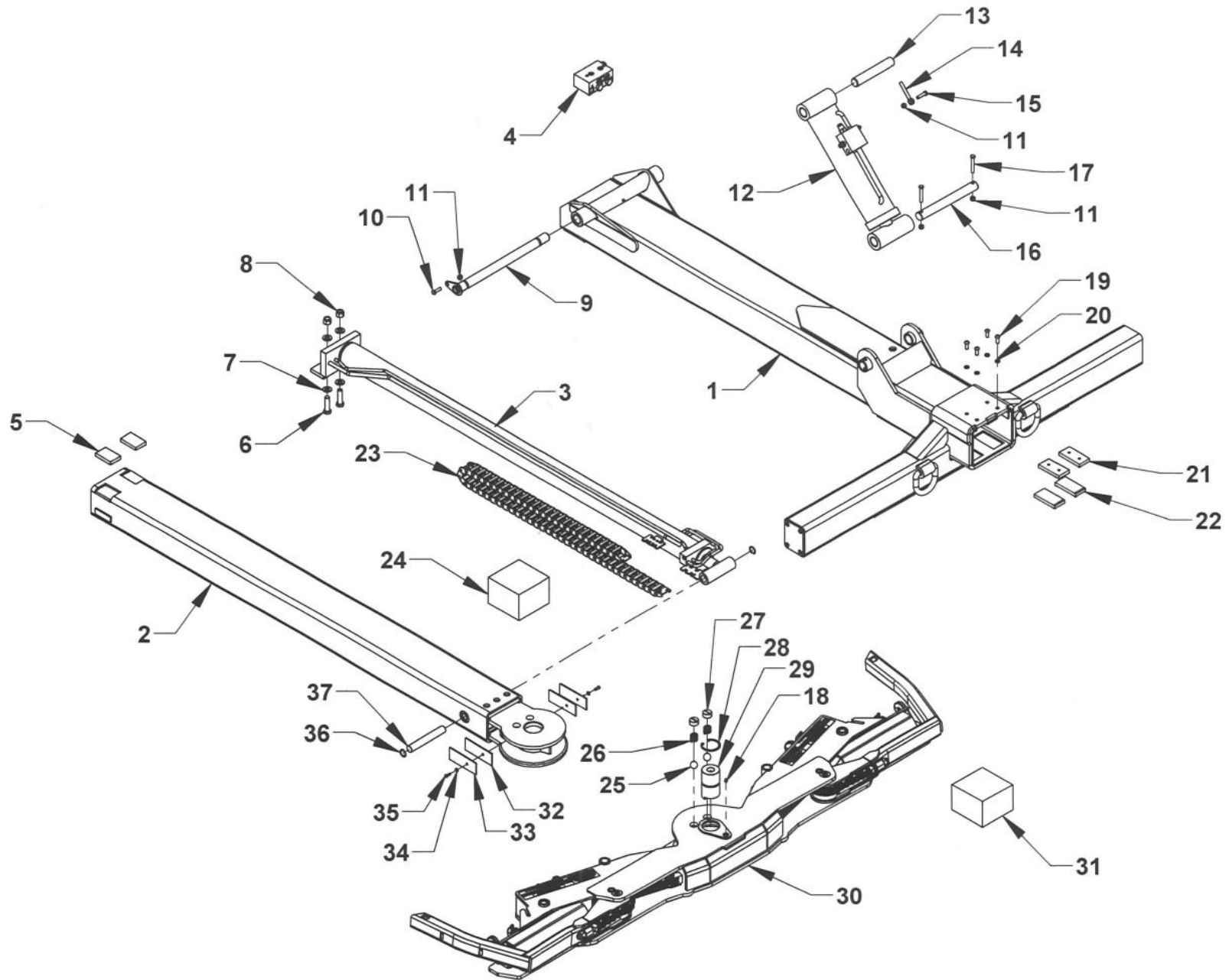


Section V - PARTS

AUTOGRIP WHEEL LIFT

REF. NO.	NO. REQ'D	PART NUMBER	DESCRIPTION
1	1	10270410	AUTOGRIP OUTER BOOM TUBE - 4K
2	1	08021745	AUTOGRIP INNER TUBE GEN2
3	1	72136	AUTOGRIP EXTEND CYLINDER - CARRIER
4	1	74341	FLOW DIVIDER COUNTER BALANCE VALVE
5	2	65613	WEAR PAD 1/2 x 2 x 3 NSM BEVELED
6	2	0403141	BOLT, HHCS 5/8-11 UNC x 2-1/4
7	4	0400505	FLAT WASHER 5/8
8	2	0400426	NYLON LOCK NUT 5/8-11 UNC
9	1	0809411U	WHEEL LIFT BOOM HINGE PIN
10	1	0400122	BOLT HHCS 3/8-16 UNC x 1-1/4
11	4	0400392	NYLON LOCK NUT 3/8-16 UNC
12	1	0308372-1175	LIFT CYLINDER 4 x 1.75 x 11.75
13	1	0750562	LIFT CYLINDER MOUNTING PIN BASE
14	1	84680	KEEPER PIN 3/8 ROD END
15	1	0400132	BOLT 3/8-16 UNC x 1-1/2
16	1	0750523	LIFT CYLINDER MOUNTING PIN ROD
17	2	0400150	BOLT, HHCS 3/8-16 UNC x 2-1/2
18	3	0300113	GREASE FITTING 1/4-28 UNF
19	4	0403139	BOLT BHCS 3/8-16 UNC x 1
20	4	0400482	LOCK WASHER 3/8
21	2	63595H	WEAR PAD NYLATRON NSM 1/2 x 2 x 4 W/HOLES
22	2	63595	WEAR PAD NYLATRON NSM 1/2 x 2 x 4
23	1	69757	AUTOGRIP HOSE TRACK 58 LINKS
24	1	75048	HOSE KIT IGUS TRACK
25	2	0308129	BALL CHROME 1 IN. (GRADE 16/25)
26	2	0300066	AUTOGRIP DETENT SPRING GEN2
27	2	643272	AUTOGRIP DETENT SCREW GEN2
28	1	86250I	SNAP RING 2-1/2 INTERNAL
29	1	644402	AUTOGRIP CROSSBAR PIVOT PIN GEN2
30	1	644002CA	AUTOGRIP CROSSBAR GEN2
31	1	75048C	HOSE KIT ARM CYLINDERS
32	2	64304R	RUBBER GASKET FOR 64304C
33	2	64304C	HOSE CLAMP FOR SIDE OF AUTOGRIP II YOKE
34	2	0400452	LOCK WASHER 1/4
35	2	0403142	BOLT BHCS 1/4-20 x 3/4
36	2	86100I	SNAP RING 1" INTERNAL
37	1	72940	CYLINDER PIN 0.980 x 6-5/8

Section V- PARTS
AUTOGRIP DOCK STABILIZER WHEEL LIFT

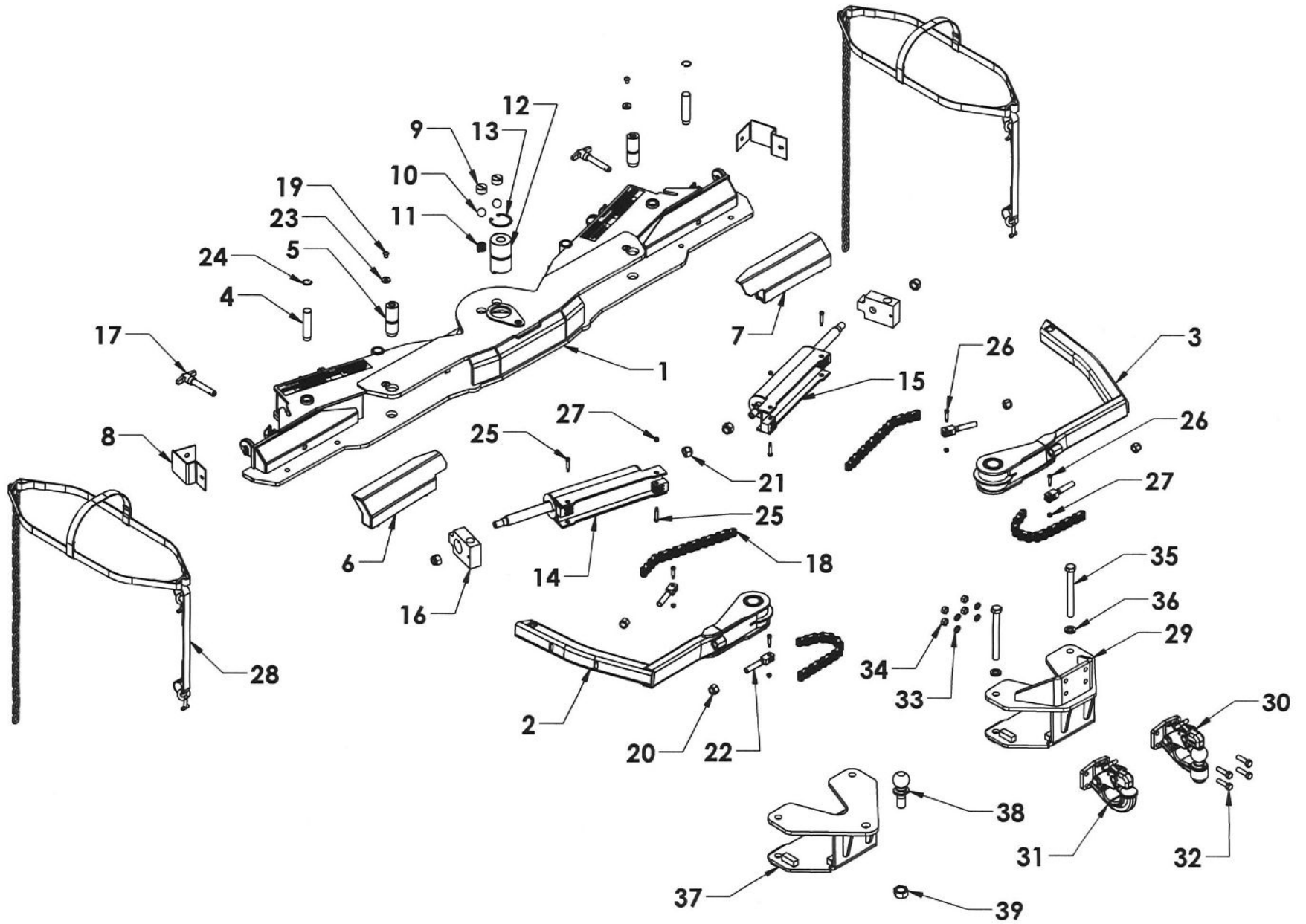


Section V - PARTS

AUTOGRIP DOCK STABILIZER WHEEL LIFT

REF. NO.	QTY	PART NUMBER	DESCRIPTION
1	1	08017875	DOCK STABILIZER AUTOGRIP OUTER BOOM TUBE - 4K
2	1	08021745	AUTOGRIP INNER TUBE GEN3
3	1	72136	AUTOGRIP EXTEND CYLINDER - CARRIER
4	1	74341	FLOW DIVIDER COUNTER BALANCE VALVE
5	2	65612	WEAR PAD 1/2 x 2 x 3 NSM
6	2	0403141	BOLT, HHCS 5/8-11 UNC x 2-1/4
7	4	0400505	FLAT WASHER 5/8
8	2	0400421	NYLON LOCK NUT 5/8-11 UNC
9	1	0809411U	WHEEL LIFT BOOM HINGE PIN
10	1	0400122	BOLT HHCS 3/8-16 UNC x 1-1/4
11	4	0400392	NYLON LOCK NUT 3/8-16 UNC
12	1	0308372-1175	LIFT CYLINDER 4 x 1.75 x 11.75
13	1	0750562	LIFT CYLINDER MOUNTING PIN BASE
14	1	84680	KEEPER PIN 3/8 ROD END
15	1	0400132	BOLT 3/8-16 UNC x 1-1/2
16	1	0750523	LIFT CYLINDER MOUNTING PIN ROD
17	2	0400150	BOLT, HHCS 3/8-16 UNC x 2-1/2
18	3	0300113	GREASE FITTING 1/4-28 UNF
19	4	0403139	BOLT BHCS 3/8-16 UNC x 1
20	4	0400482	LOCK WASHER 3/8
21	2	63595H	WEAR PAD NYLATRON NSM 1/2 x 2 x 4 W/HOLES
22	2	63595	WEAR PAD NYLATRON NSM 1/2 x 2 x 4
23	1	69757	AUTOGRIP HOSE TRACK 58 LINKS
24	1	75048	HOSE KIT IGUS TRACK
25	2	0308129	BALL CHROME 1 IN. (GRADE 16/25)
26	2	0300066	AUTOGRIP DETENT SPRING GEN2
27	2	643272	AUTOGRIP DETENT SCREW GEN2
28	1	86250I	SNAP RING 2-1/2 INTERNAL
29	1	644402	AUTOGRIP CROSSBAR PIVOT PIN GEN2
30	1	644002CA	AUTOGRIP CROSSBAR GEN2
31	1	75048C	HOSE KIT ARM CYLINDERS
32	2	64304R	RUBBER GASKET FOR 64304C
33	2	64304C	HOSE CLAMP FOR SIDE OF AUTOGRIP II YOKE
34	2	0400452	LOCK WASHER 1/4
35	2	0403142	BOLT BHCS 1/4-20 x 3/4
36	2	86100I	SNAP RING 1" INTERNAL
37	1	72940	CYLINDER PIN 0.980 x 6-5/8

Section V - PARTS
AUTOGRIP II COMPONENTS



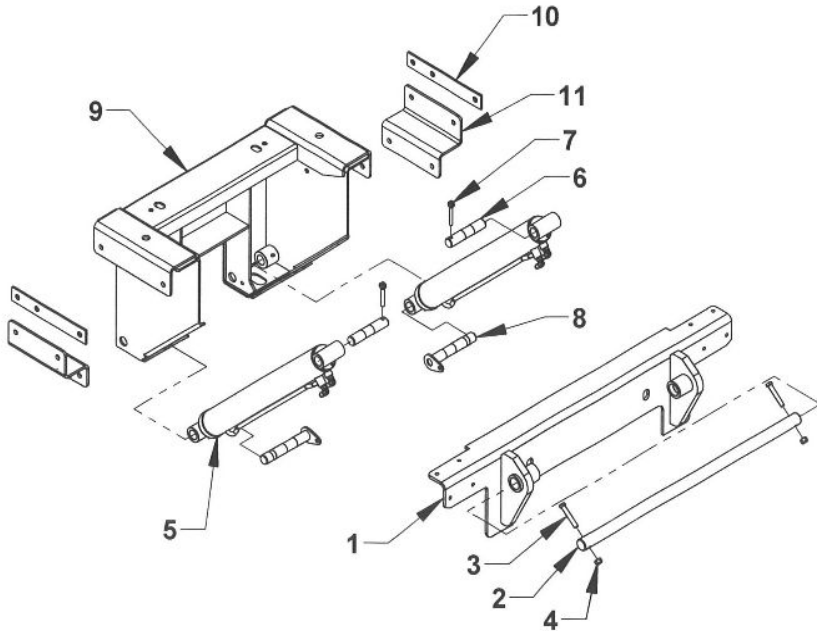
Section V - PARTS

AUTOGRIP II COMPONENTS

REF NO.	NO REQ'D	PART NUMBER	DESCRIPTION
1	1	644002	CROSSBAR WELDMENT
2	1	644352CL	WHEEL RETAINER - LH
3	1	644352CR	WHEEL RETAINER - RH
4	2	644432	WHEEL RETAINER CYLINDER PIN
5	2	644452	ARM PIVOT PIN
6	1	697402L	WHEEL SPACER - LH
7	1	697402R	WHEEL SPACER - RH
8	2	644292	HOSE GUARD
9	2	643272	SCREW-PLUG CROSSBAR DETENT
10	2	0308129	BALL CHROME 1" (GRADE 16/25)
11	2	03000066	AUTOGRIP GEN2 DETENT SPRING
12	1	644402	CROSSBAR PIN
13	1	862501	SNAP RING 2.500 INCH INTERNAL
14	2	720152L	WHEEL RETAINER CYLINDER - LH
15	2	720152R	WHEEL RETAINER CYLINDER - RH
16	2	727162	L-ARM CYLINDER END BLOCK
17	2	84291	T-PIN 5/8 x 3
18	4	87440	AUTOGRIP ARM CHAIN
19	2	0403140	BOLT HGCS 3/8-16 UNC x 1/2
20	4	0400421	5/8-11 NYLON LOCK NUT
21	4	0400430	3/4-10 NYLON LOCK NUT
22	4	64441	CHAIN CLEVIS
23	2	0720463	WASHER PIVOT PIN RETAINER - 3/8
24	2	861001	SNAP-RING 1.000 INCH INTERNAL
25	4	0403163	BOLT SHCS 5/16 x 1-1/4 SHOULDER 1/4-20
26	4	0403164	BOLT SHCS 5/16 x 1 SHOULDER 1/4-20
27	8	0400367	NYLON LOCK NUT 1/4-20
28	2	0902382	1 INCH NYLON POLY COAT BASKET STRAP
		65287	BLUE BASKET TIRE STRAP - TRUCK (OPT)
29	1	694520	AUTOGRIP PINTLE ADAPTOR (OPTIONAL)
30	1	174017159	PINTLE BALL ATTACHMENT (OPTIONAL)
31	1	174017156	PINTLE HOOK ATTACHMENT (OPTIONAL)
32	4	0403058	BOLT, HHCS 1/2-13 x 1-3/4 GR8
33	4	0400491	LOCK WASHER, 1/2
34	4	0400407	HEX NUT 1/2-13 UNC
35	2	0403092	BOLT, HHCS 3/4-10 UNC x 7 GR8
36	2	0403082	LOCK WASHER 3/4
37	1	694510	AUTOGRIP TOWBALL ADAPTOR (OPTIONAL)
38	1	03004649	TOWBALL
39	1	83711	NUT 1.000" RAMCO LOCK

Section V - PARTS

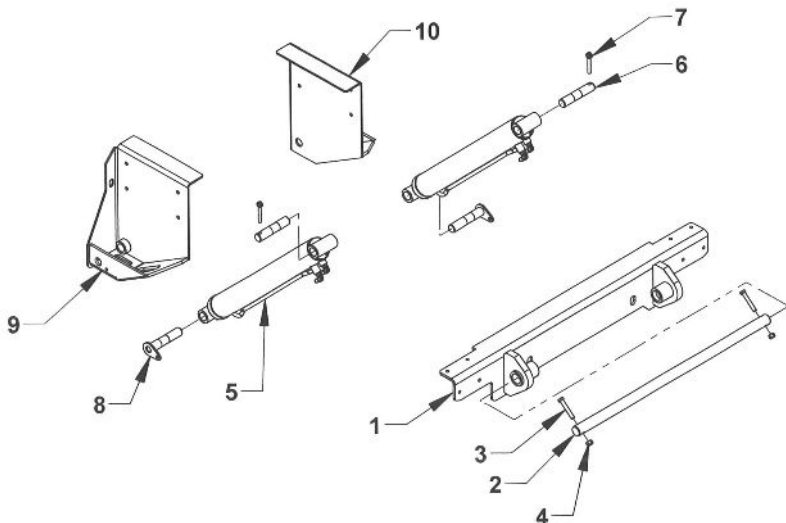
INBOARD TILT CYLINDERS-INBOARD SADDLE



REF	PART #	DESCRIPTION	QPU
1	0809927	HINGE ANGLE SERIES 10 G2	1
2	0752164	SUBFRAME HINGE PIN SERIES 10 G2	1
3	0403149	BOLT, HHCS 1/2-13 UNC x 3	2
4	0403100	NYLON LOCK NUT 1/2-13 UNC	2
5	721092	TILT CYLINDER 3 x 23	2
6	13068	TILT CYLINDER BASE KEEPER PIN	2
7	84680	KEEPER PIN 3/8 ROD END	2
8	1A828A	INBOARD SADDLE TILT PIN	2
9	1A8002	SERIES 10 INBOARD SADDLES	1
10	1A821S	SADDLE SHIM	2
11	1A925	INBOARD SADDLE UNDER-FRAME Z-BRACKET	2

Section V - PARTS

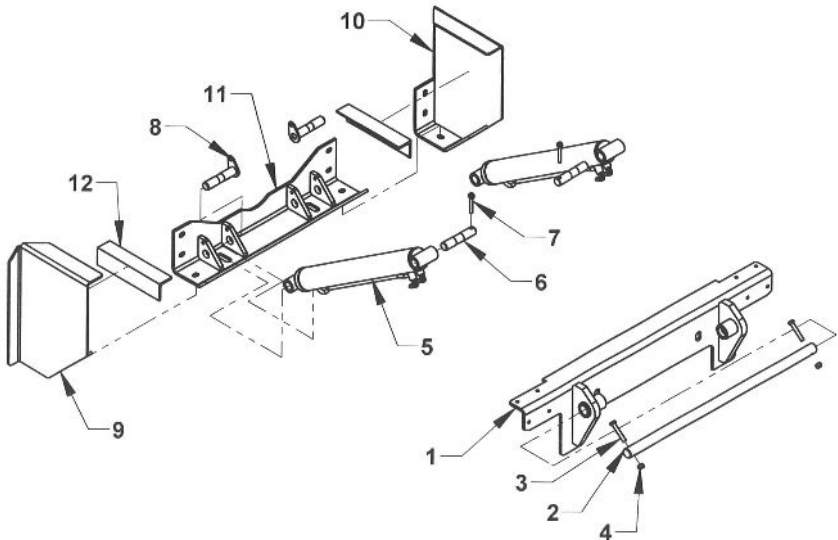
OUTBOARD TILT CYLINDERS-OUTBOARD SADDLE



REF	PART #	DESCRIPTION	QPU
1	0809927-FD	SERIES 10 G2 HINGE ANGLE-FORD/DODGE	1
2	0752164	SERIES 10 G2 SUBFRAME HINGE PIN	1
3	0403149	BOLT, HHCS 1/2-13 UNC x 3	2
4	0403100	NYLON LOCK NUT 1/2-13 UNC	2
5	721092	TILT CYLINDER 3 x 23	2
6	13068	TILT CYLINDER BASE KEEPER PIN	2
7	84680	KEEPER PIN 3/8 ROD END	2
8	1A735	OUTBOARD TILT CYLINDER KEEPER PIN	2
9	1A730L	18 IN. OUTBOARD TILT SADDLE - LH	1
10	1A730R	18 IN. OUTBOARD TILT SADDLE - RH	1

Section V - PARTS

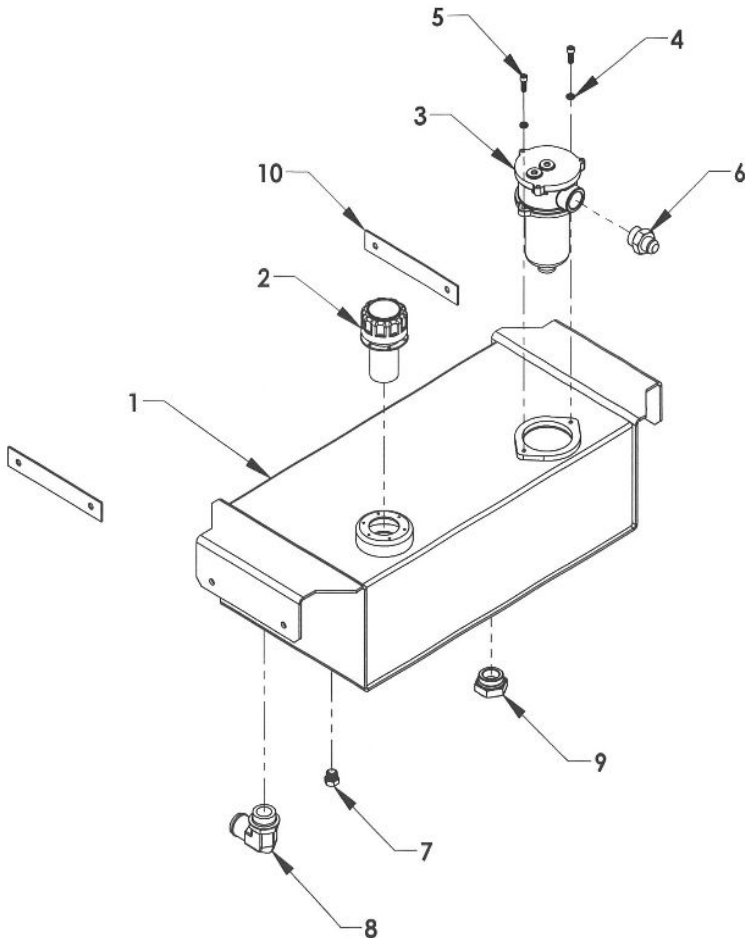
INBOARD TILT CYLINDERS-OUTBOARD SADDLE



REF	PART #	DESCRIPTION	QPU
1	0809927	SERIES 10 G2 HINGE ANGLE	1
2	0752164	SERIES 10 G2 SUBFRAME HINGE PIN	1
3	0403149	BOLT, HHCS 1/2-13 UNC x 3	2
4	0403100	NYLON LOCK NUT 1/2-13 UNC	2
5	721092	TILT CYLINDER 3 x 23	2
6	13068	TILT CYLINDER BASE KEEPER PIN	2
7	84680	KEEPER PIN 3/8 ROD END	2
8	1A525	INBOARD TILT CYLINDER KEEPER PIN	2
9	1A740L	20 IN. OUTBOARD TILT SADDLE - LEFT	1
	1A540L	22 IN. OUTBOARD TILT SADDLE - LEFT	1
10	1A740R	20 IN. OUTBOARD TILT SADDLE - RIGHT	1
	1A540R	22 IN. OUTBOARD TILT SADDLE - RIGHT	1
11	1A590-296	SADDLE CONNTECTING ANGLE - 29.6"	1
	1A560-310	SADDLE CONNTECTING ANGLE - 31.0"	1
	1A560-315	SADDLE CONNTECTING ANGLE - 31.5"	1
	1A560-323	SADDLE CONNTECTING ANGLE - 32.3"	1
	1A560-33	SADDLE CONNTECTING ANGLE - 33.0"	1
	1A560-335	SADDLE CONNTECTING ANGLE - 33.5"	1
	1A560	SADDLE CONNTECTING ANGLE - 34.0"	1
12	1A743	SADDLE MOUNTING ANGLE - 3 x 2.5 x 12.75	2

Section V - PARTS

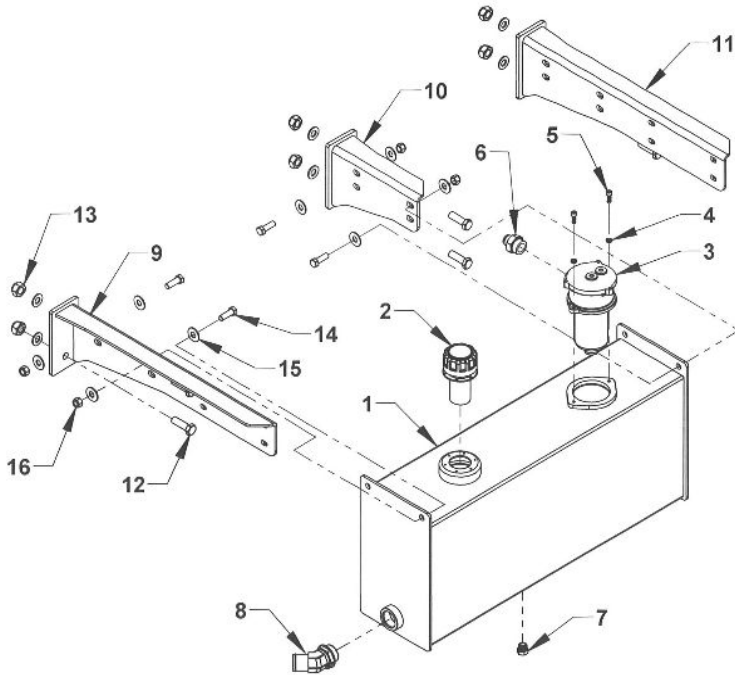
12 GAL. INBOARD OIL RESERVOIR GROUP-763100G



REF	PART #	DESCRIPTION	QPU
1	763100	INBOARD OIL RESERVOIR WELDMENT	1
2	76213	FILLER BREATHER CAP	1
3	76270	FILTER ASSEMBLY	1
	76271	REPLACEMENT FILTER ELEMENT	1
4	0402118	LOCK WASHER 5/16 SS	2
5	04001427	BH CAP SCREW 5/16-18 UNC x 7/8 SS	2
6	0301368	ADAPTOR 202702-16 x 12	1
7	03006085	ADAPTOR 900598-8 (DRAIN PLUG)	1
8	77C92	20 x 24 SUCTION HOSE FITTING 90 °	1
9	77620	ADAPTOR 900598-20 (DRAIN PLUG)	1
10	763106	FRAME WIDTH SHIM	2

Section V - PARTS

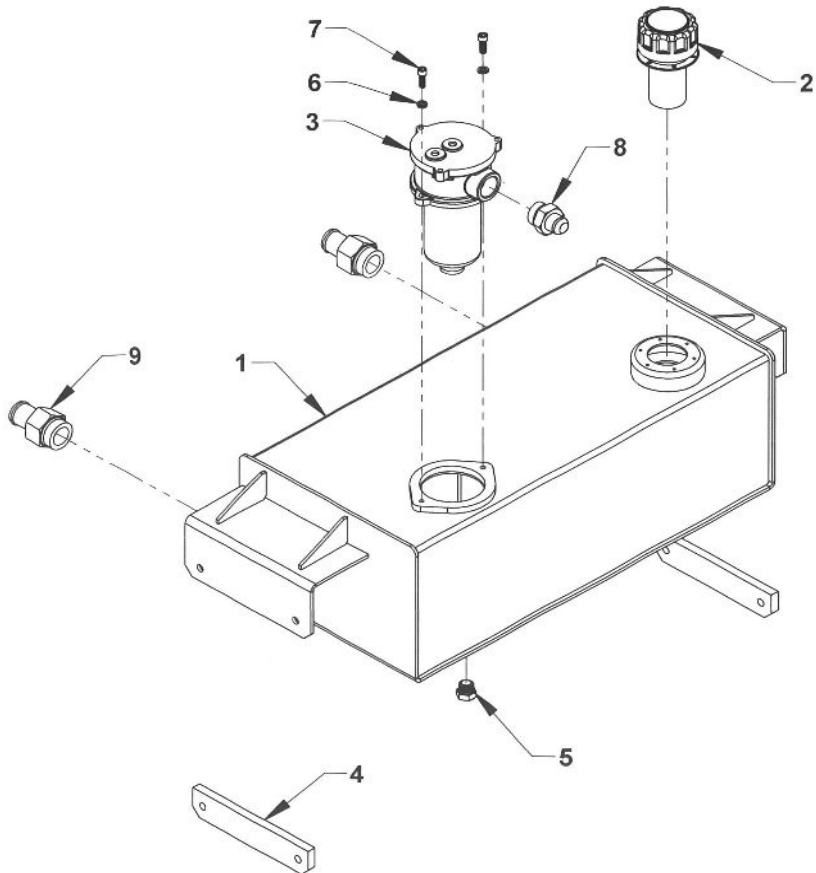
14 GAL. OUTBOARD OIL TANK GROUP-762110G (CONVENTIONAL CARRIER)



REF	QTY	PART #	DESCRIPTION
1	1	762110	14 GAL. OUTBOARD OIL TANK WELDMENT
2	1	76213G	FILLER BREATHER CAP ASSEMBLY
3	1	76270	FILTER ASSEMBLY
	1	76271	REPLACEMENT FILTER ELEMENT
4	2	0402118	LOCK WASHER 5/16 SS
5	2	04001427	BHCS SCHS 5/16-18 UNC x 7/8 SS
6	1	0301368	ADAPTOR 202702 16 x 12
7	1	03006085	ADAPTOR 900598-8 (MAGNETIC DRAIN PLUG)
8	1	03006341	20 x 24 SUCTION HOSE FITTING 45°
9	1	37855L	TANK MTG. BRACKET - LH
	1	37858L	TANK MTG. BRACKET (SHORT) - LH
10	1	37858R	TANK MTG. BRACKET (SHORT) -RH
11	1	37855R	TANK MTG. BRACKET - RH
12	6	0400274	BOLT 5/8-11 x 2 UNC GR8
13	6	0400426	NYLON LOCK NUT 5/8-11 UNC ZINC PLATED
14	6	0400181	BOLT 1/2-13 UNC x 1-1/2 GR5
15	8	0400492	FLAT WASHER 1/2 ZINC PLATED
16	4	0403100	NYLON LOCK NUT 1/2-13 UNC ZINC PLATED

Section V - PARTS

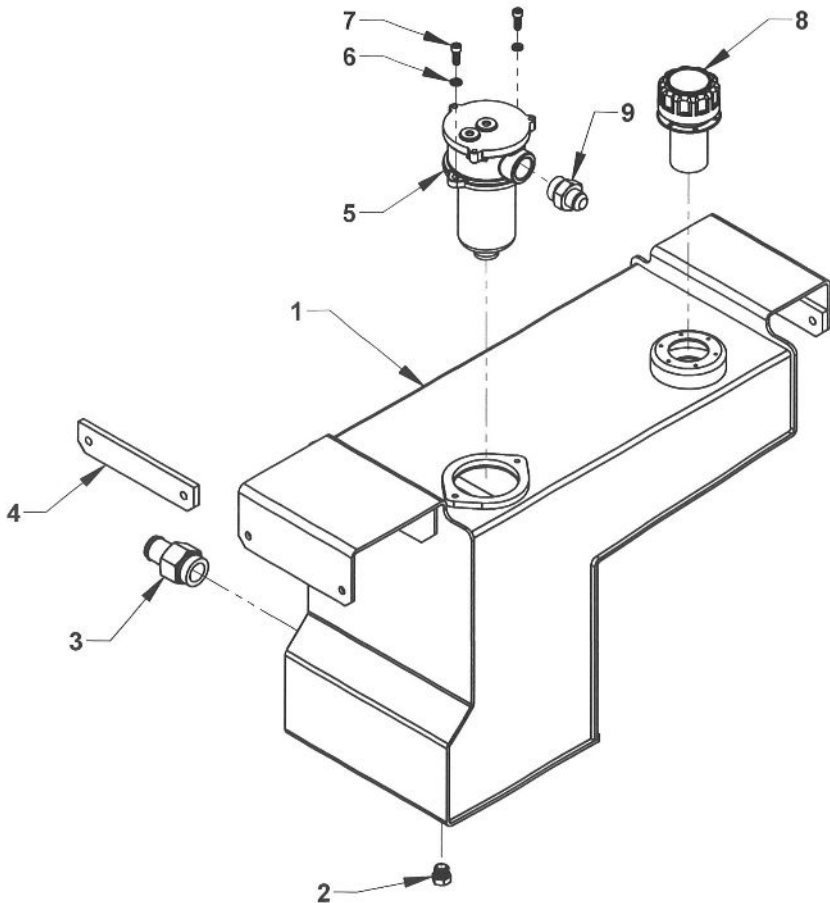
12 GAL. INBOARD OIL RESERVOIR GROUP-0940440 TRANSFER FLOW FUEL TANK



REF	PART #	DESCRIPTION	QPU
1	0811131	INBOARD OIL TANK - TRANSFER FLOW	1
2	76213	FILLER BREATHER CAP	1
3	76270	IN-TANK FILTER ASSEMBLY #16 SAE PORT	1
	76271	REPLACEMENT FILTER ELEMENT	1
4	0752557-500	INBOARD OIL TANK SHIM - 1/2 (DODGE ONLY)	2
5	03006085	#8 O-RING PLUG	1
6	0402118	LOCK WASHER 5/16 SS	2
7	04001427	CAP SCREW 5/16-18 UNC x 7/8 SS	2
8	0301368	ADAPTOR 202702 - 16 x 12	1
9	77C00	STRAIGHT SUCTION HOSE FITTING 20 x 20	2

Section V - PARTS

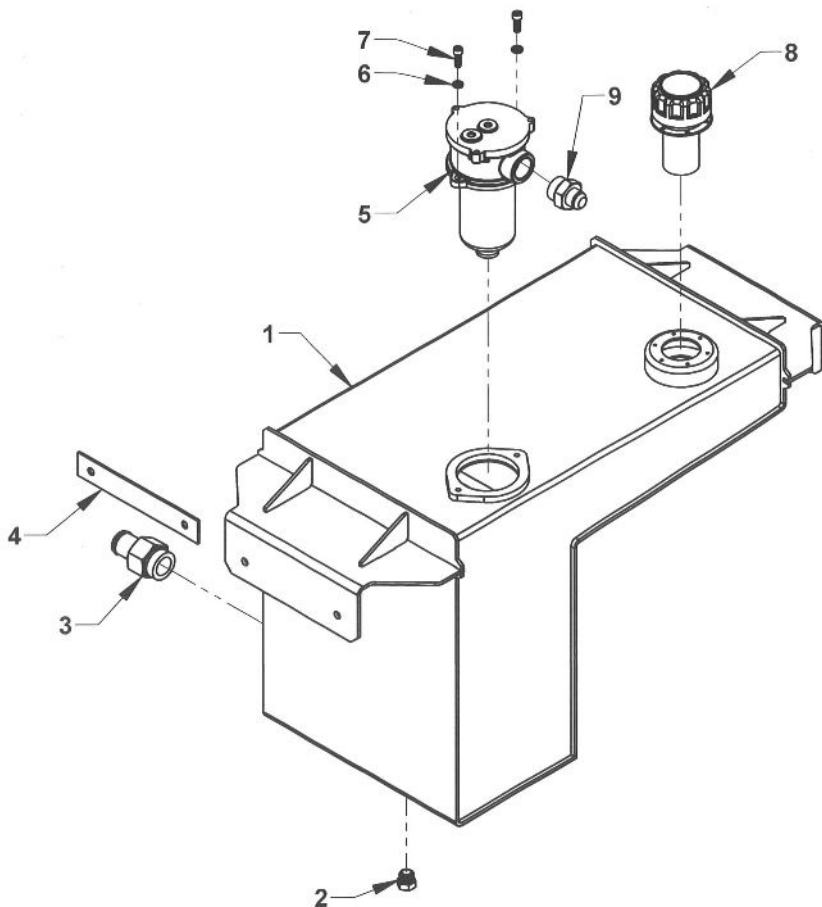
2017 FORD F550/DODGE 5500 12 GAL. OIL RESERVOIR GROUP - 09003530



REF	QTY	PART #	DESCRIPTION
1	1	08003114	SERIES 10 G2 IBT OFFSET OIL TANK - 12 GAL
2	1	03006085	#8 O-RING PLUG
3	1	77C00	STRAIGHT SUCTION HOSE FITTING 20 x 20
4	2	0752557-375	IB OIL TANK SHIM - 3/8 (DODGE ONLY)
5	1	76270	IN-TANK FILTER ASSEMBLY #16 SAE PORT
	1	76271	REPLACEMENT FILTER ELEMENT
6	2	0402118	LOCK WASHER 5/16 SS
7	2	04001427	BOLT SHCS 5/16-18 UNC x 7/8 SS
8	1	76213	FILLER BREATHER CAP
9	1	0301368	ADAPTOR 202702 - 16 x 12

Section V - PARTS

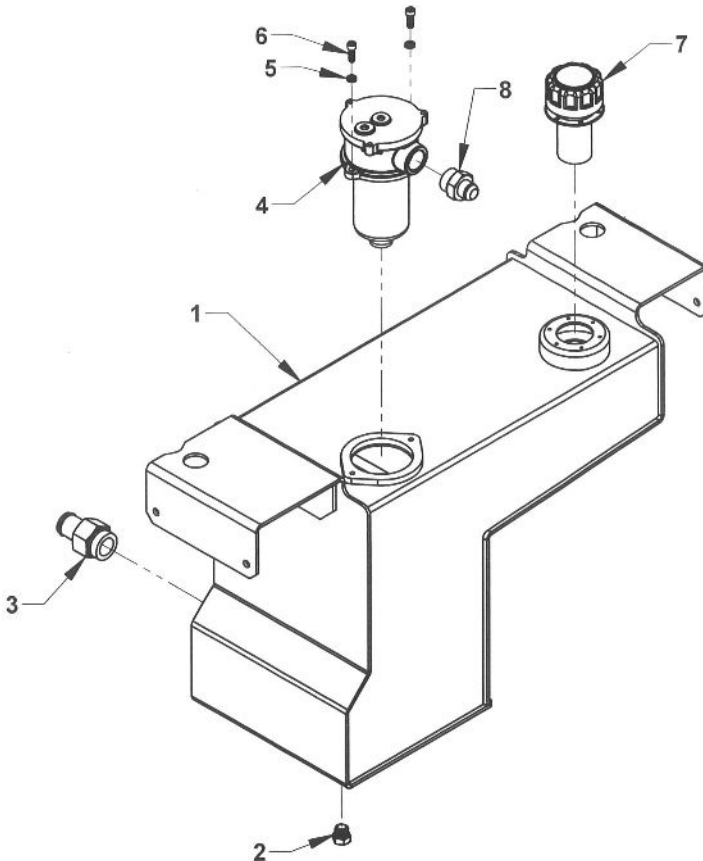
13 GAL. OIL RESERVOIR GROUP - 0901275 2019 GM / INTERNATIONAL CV



REF	QTY	PART #	DESCRIPTION
1	1	08011068	SERIES 10 G2 IBT OFFSET OIL TANK - 13 GAL
2	1	03006085	#8 O-RING PLUG
3	1	77C00	STRAIGHT SUCTION HOSE FITTING 20 x 20
4	2	763106-125	IB OIL TANK SHIM - 3/8 (DODGE ONLY)
5	1	76270	IN-TANK FILTER ASSEMBLY #16 SAE PORT
	1	76271	REPLACEMENT FILTER ELEMENT
6	2	04002118	LOCK WASHER 5/16 SS
	2	04001427	BOLT SHCS 5/16-18 UNC x 7/8 SS
8	1	76213	FILLER BREATHER CAP
9	1	0301368	ADAPTOR 202702 - 16 x 12

Section V - PARTS

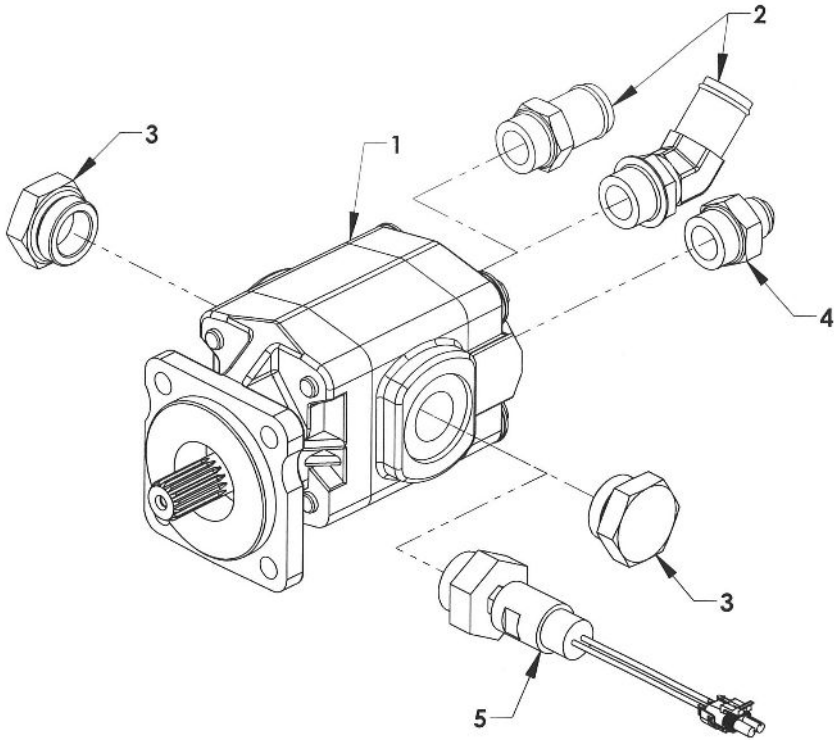
12 GAL. OIL RESERVOIR GROUP - 09018450 2021 FORD F600



REF	QTY	PART #	DESCRIPTION
1	1	08015991	SERIES 10 G2 IBT OFFSET OIL TANK - 12 GAL
2	1	03006085	#8 O-RING PLUG
3	1	77C00	STRAIGHT SUCTION HOSE FITTING 20 x 20
4	1	76270	IN-TANK FILTER ASSEMBLY #16 SAE PORT
	1	76271	REPLACEMENT FILTER ELEMENT
5	2	0402118	LOCK WASHER 5/16 SS
6	2	04001427	BOLT SHCS 5/16-18 UNC x 7/8 SS
7	1	76213	FILLER BREATHER CAP
8	1	0301368	ADAPTOR 202702 - 16 x 12

Section V - PARTS

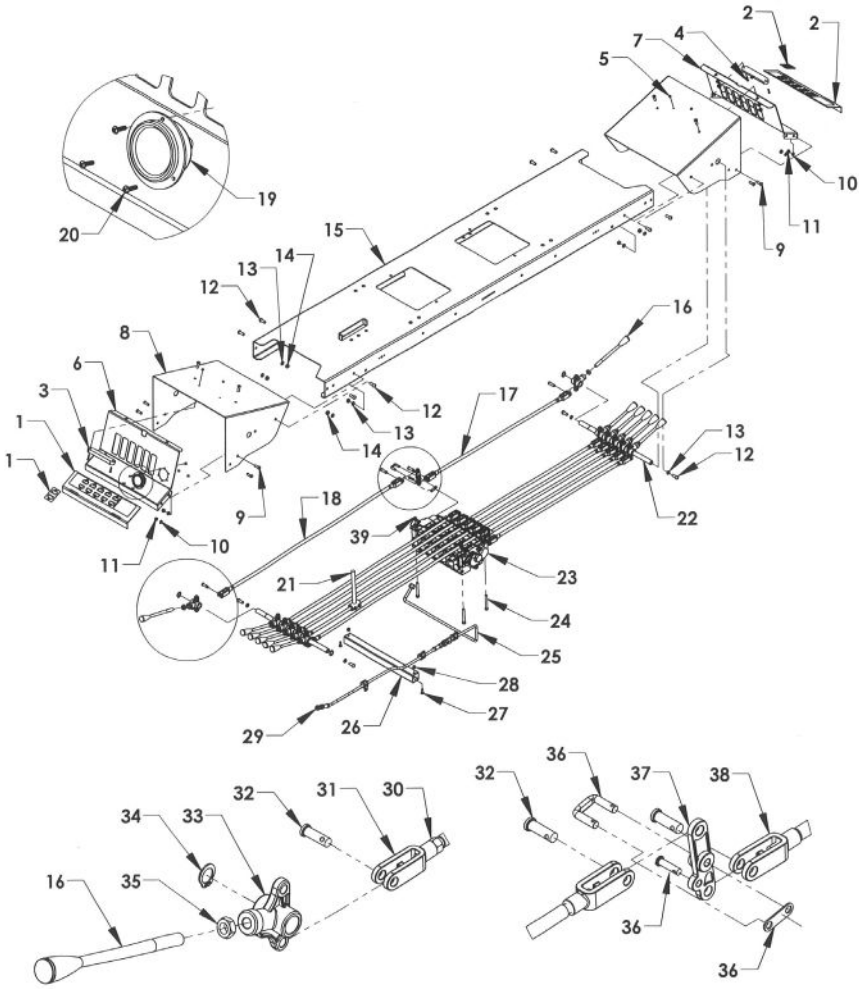
DIRECT MOUNT PUMP - 18 GPM



REF	PART #	DESCRIPTION	QPU
1	0320144	18 GPM , 1 IN.15 SPLINE SHAFT, SAE 4-BOLT FLANGE	1
2	03006339	#16-45 M O-RING x 1-1/4 M NIPPLE	1
	77C82	#16 M O-RING x 1-1/4 M NIPPLE	1
3	77620	1-1/4 O-RING PLUG 900598-20	2
4	0301368	#16 M O-RING x 3/4 MJIC	1
5	0909434	PRESSURE TRANSDUCER (OPTIONAL)	1

Section V - PARTS

6-SPOOL CONTROL STATION



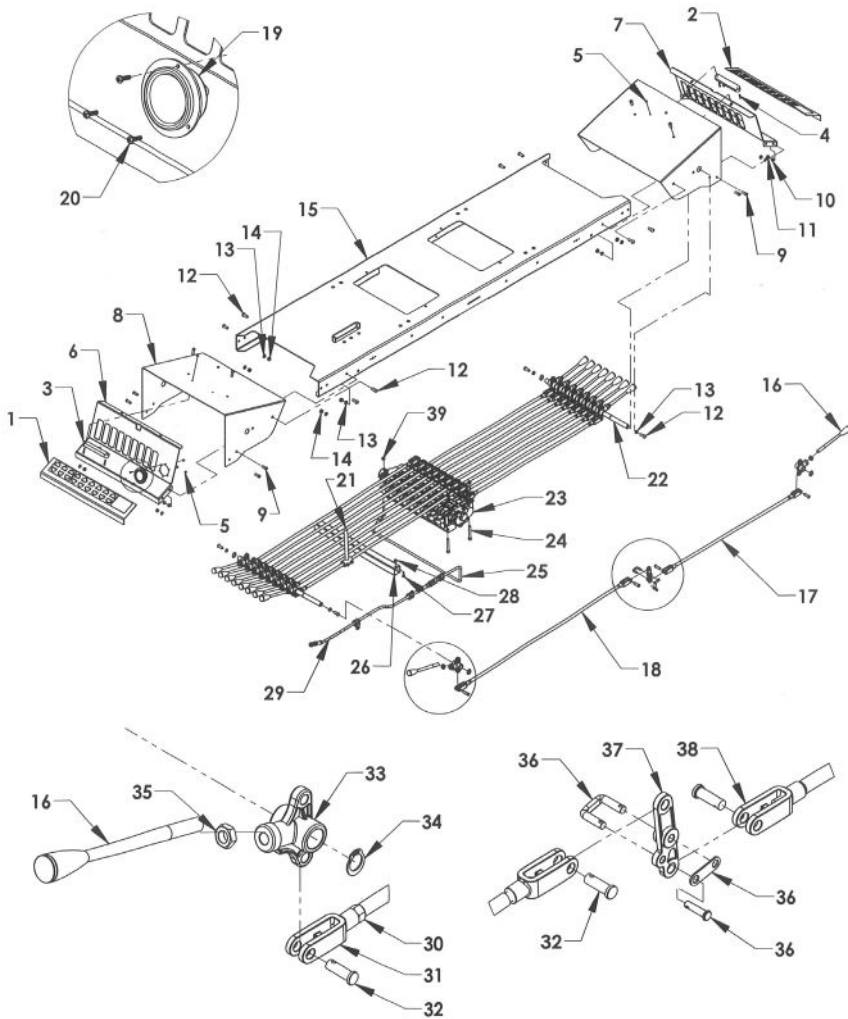
Section V - PARTS

6-SPOOL CONTROL STATION

REF. NO.	NO. REQ'D	PART NUMBER	DESCRIPTION
1	1	18212L	5 SPOOL/6 SPOOL CONTROL PLACARD-LEFT
	1	18237	CONTROL PLACARD AUTOGRIP OVERLAY
2	1	18212R	5 SPOOL/6 SPOOL CONTROL PLACARD-RIGHT
	1	18237	CONTROL PLACARD AUTOGRIP OVERLAY
3	2	0320162	LED CONTROL STATION LIGHT - 6 IN.
4	4	04000281	SCREW, PHILLIPS #6-32 UNC x 7/8
5	7	04000262	NYLON LOCK NUT #6-32 SS
6	1	0752652L	CONTROL PANEL - LEFT
7	1	0752652R	CONTROL PANEL - RIGHT
8	2	0752651	CONTROL HOOD
9	12	0403079	BHCS 5/16-18 UNC x 5/8
10	12	0402118	LOCK WASHER 5/16 SS
11	12	0403074	HEX NUT 5/16-18 UNC
12	12	04001085	BHCS 3/8-16 UNC x1 SS
13	12	0402121	LOCK WASHER 3/8 SS
14	8	0402122	NYLON LOCK NUT 3/8-16 UNC
15	1	181286W	CONTROL BOX ARM WELDMENT - 79.5 IN
16	6	0320048-GY	CONTROL HANDLE 8" - GRAY
	2	0320048-RD	CONTROL HANDLE 8" - RED
	4	0320048-BL	CONTROL HANDLE 8" - BLUE
17	6	7A528W	CONTROL ROD 28-1/2
18	6	7A538W	CONTROL ROD 37-3/4
19	1	0320157	PRESSURE GAUGE HYDRAULIC - 2 IN.
20	6	04000282	SCREW PHILLIPS #6-32 x 1/2
21	1	0809904	ANTI-TILT CONTROL ROD WELDMENT
22	2	7A5753-17	CONTROL HANDLE CROSS ROD 3/4 x 17
23	1	74116	VALVE BODY GRESEN 6 SPOOL
	1	74115	VALVE BODY GRESEN 5 SPOOL (COMMON)
24	3	0403169	HHCS 5/16-18 UNC x 2-3/4
25	1	0752718-5	CONTROL STATION GAUGE FLUID TUBE - 5 SP
	1	0752718-6	CONTROL STATION GAUGE FLUID TUBE - 6 SP
26	1	18335	CONTROL STATION WIRE TUBE - 6 SP
27	2	0400066	HHCS 1/4-20 UNC x 3/4
28	2	0400367	NYLON LOCK NUT 1/4-40 UNC
29	1	0320169	PRESSURE GAUGE HOSE
30	12	0403115	NUT 3/8-24 UNF RH
31	12	84530	CLEVIS - RIGHT HAND THREAD
32	24	84620	CLEVIS PIN 3/8 x 1-1/8
33	12	7A1155	CONTROL HANDLE PIVOT BASE
34	4	86075E	SNAP RING 3/4 EXTERNAL
35	12	0400410	1/2-13 UNC JAM NUT ZP
36	6	7A010	CLEVIS PIN AND LINK ASSEMBLY
37	6	7A121	BELL CRANK
38	12	84540	CLEVIS - LEFT HAND THREAD
39	3	0400382	NYLON LOCK NUT 5/16-18 UNC

Section V - PARTS

9-SPOOL CONTROL STATION

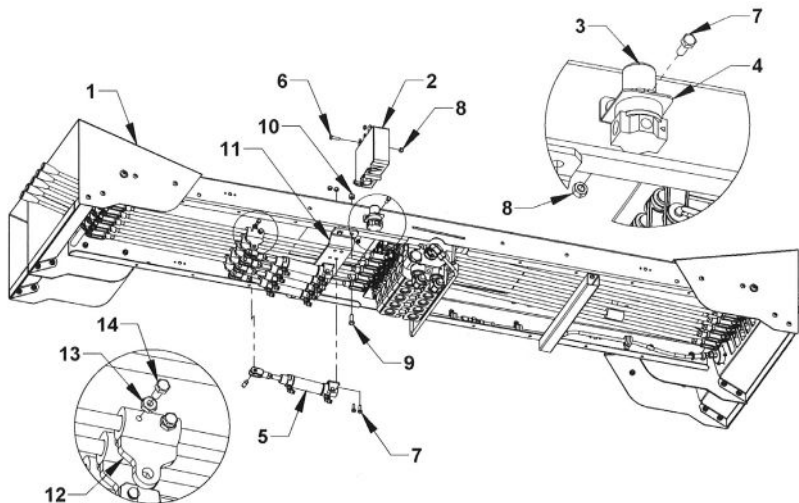


Section V - PARTS 9-SPOOL CONTROL STATION

REF. NO.	NO. REQ'D	PART NUMBER	DESCRIPTION
1	1	18219L	CONTROL PLACARD 4-CAR AUTOGRIP - LH
	1	18218L	CONTROL PLACARD 4-Carrier - LH
	1	18224L	CONTROL PLACARD SIDEPULLER OVERLAY - LH
	1	18235L	CONTROL PLACARD DUAL DECK - LH
	1	18236L	CONTROL PLACARD DUAL DECK AG OVERLAY-LH
	2	1	18219R
1		18218R	CONTROL PLACARD 4-Carrier - RH
1		18224R	CONTROL PLACARD SIDEPULLER OVERLAY-RH
1		18235R	CONTROL PLACARD DUAL DECK - RH
1		18236R	CONTROL PLACARD DUAL DECK AG OVERLAY-RH
3		2	0320162
4	4	04000281	SCREW, PHILLIPS #6-32 UNC x 7/8
5	7	04000262	NYLON LOCK NUT #6-32 SS
6	1	0752654L	CONTROL PANEL - LH
7	1	0752654R	CONTROL PANEL - RH
8	2	0752653	CONTROL HOOD
9	12	0403079	BHCS 5/16-18 UNC x 5/8
10	12	0402118	LOCK WASHER 5/16, SS
11	12	0403074	HEX NUT 5/16-18 UNC
12	12	04001085	BHCS 3/8-16 UNC x 1, SS
13	12	0402121	LOCK WASHER 3/8 SS
14	8	0402122	NYLON LOCK NUT 3/8-16 UNC
15	1	181289W	CONTROL BOX ARM WELDMENT - 79.5 IN
16	6	0320048-GY	CONTROL HANDLE 8" - GRAY
	4	0320048-RD	CONTROL HANDLE 8" - RED
	6	0320048-BL	CONTROL HANDLE 8" - BLUE
	2	0320048-GR	CONTROL HANDLE 8" - GREEN
17	9	7A528W	CONTROL ROD 28-1/2
18	9	7A538W	CONTROL ROD 37-3/4
19	1	0320157	PRESSURE GAUGE HYDRAULIC - 2 IN.
20	3	04000282	SCREW PHILLIPS #6-32 x 1/2
21	1	0809904	ANTI-TILT CONTROL ROD WELDMENT
22	2	7A5753-20	CONTROL HANDLE CROSS ROD 3/4 x 20-3/4
23	1	74118	VALVE BODY GRESEN 8-SPOOL
	1	74119	VALVE BODY GRESEN 9 SPOOL
24	3	0403169	HHCS 5/16-18 UNC x 2-3/4
25	1	0752718-8	CONTROL STATION GAUGE FLUID TUBE - 8 SP
	1	0752718-9	CONTROL STATION GAUGE FLUID TUBE - 9 SP
26	1	18336	CONTROL STATION WIRE TUBE - 9 SPOOL
27	2	0400366	HHCS 1/4-20 UNC x 3/4
28	2	0400367	NYLON LOCK NUT 1/4-20 UNC
29	1	0320169	PRESSURE GAUGE HOSE
30	18	0403115	NUT 3/8-24 HF RH
31	18	84530	CLEVIS - RIGHT HAND THREAD
32	36	84620	CLEVIS PIN 3/8 x 1-1/8
33	18	7A1155	CONTROL HANDLE PIVOT BASE
34	4	86075E	SNAP RING 3/4 EXTERNAL
35	18	0400410	1/2-13 UNC JAM NUT ZP
36	9	7A010	CLEVIS PIN AND LINK ASSEMBLY
37	9	7A121	BELL CRANK
38	18	84540	CLEVIS - LEFT HAND THREAD
39	3	0400382	NYLON LOCK NUT 5/16-18 UNC

Section V - PARTS

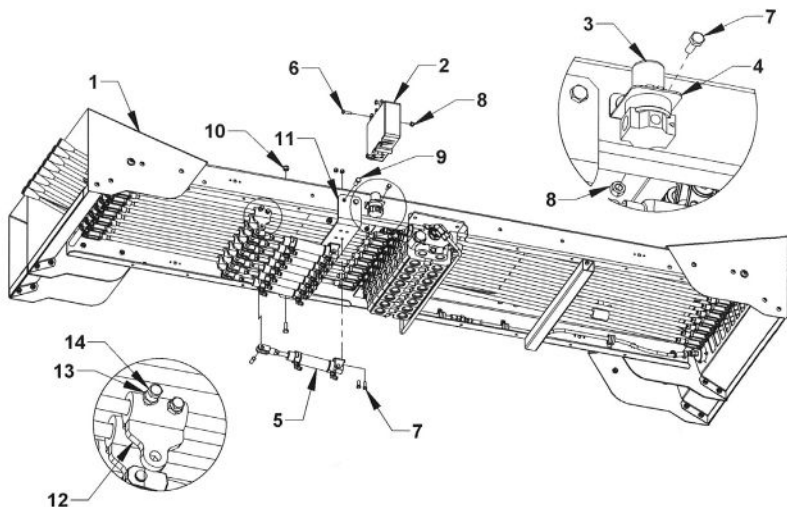
REMOTE AIR CYLINDERS 6-SPOOL



REF. NO.	QTY	PART NUMBER	DESCRIPTION
1	1	183126	6-SPOOL CONTROL STATION
2	1	0308726-2	RADIO CONTROL RECEIVER BOX 2-FUNCTION
		0308726-4	RADIO CONTROL RECEIVER BOX 4-FUNCTION
		0308726-6	RADIO CONTROL RECEIVER BOX 6-FUNCTION
		03087256-8	RADIO CONTROL RECEIVER BOX 8-FUNCTION
		0308726-10	RADIO CONTROL RECEIVER BOX 10-FUNCTION
		0308726-12	RADIO CONTROL RECEIVER BOX 12-FUNCTION
		0308726-16	RADIO CONTROL RECEIVER BOX 16-FUNCTION
3	1	71713	AIR PRESSURE REGULATOR
4	1	0752351	AIR PRESSURE REGULATOR MTG BRACKET
5	X	0308711	AIR CYLINDER 2 INCH STROKE
6	3	0403043	BOLT HHCS 1/4-20 UNC x 1 GR5
7	X	0400066	BOLT HHCS 1/4-20 UNC x 3/4 GR5
8	X	0400367	NUT NYLOK 1/4-20 UNC
9	4	0400126	BOLT HHCS 3/8-18 UNC x 1 GR5
10	4	0400392	NUT NYLOC 3/8-16 UNC
11	1	181381	AIR CYLINDER MTG BRKT 6-SPOOL GEN2
12	X	0809905	BOLT-ON AIR CYLINDER PLATE WELDMENT
13	X	0400366	NUT HEX 1/4-20 UNC
14	X	0400059	BOLT HHCS 1/4-20 UNC x 5/8 GR5

Section V - PARTS

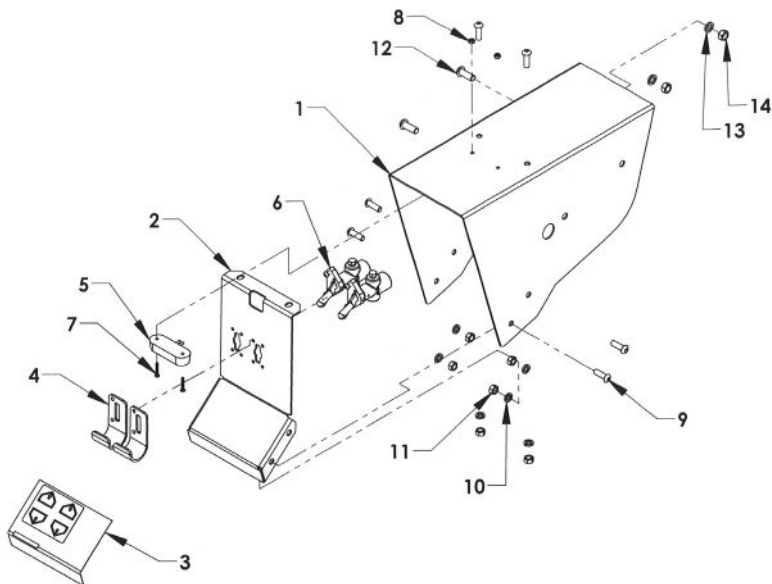
REMOTE AIR CYLINDERS 9-SPOOL



REF. NO.	QTY	PART NUMBER	DESCRIPTION
1	1	183129	9-SPOOL CONTROL STATION
2	1	0308726-2	RADIO CONTROL RECEIVER BOX 2-FUNCTION
		0308726-4	RADIO CONTROL RECEIVER BOX 4-FUNCTION
		0308726-6	RADIO CONTROL RECEIVER BOX 6-FUNCTION
		03087256-8	RADIO CONTROL RECEIVER BOX 8-FUNCTION
		0308726-10	RADIO CONTROL RECEIVER BOX 10-FUNCTION
		0308726-12	RADIO CONTROL RECEIVER BOX 12-FUNCTION
		0308726-16	RADIO CONTROL RECEIVER BOX 16-FUNCTION
3	1	71713	AIR PRESSURE REGULATOR
4	1	0752351	AIR PRESSURE REGULATOR MTG BRACKET
5	X	0308711	AIR CYLINDER 2 INCH STROKE
6	3	0403043	BOLT HHCS 1/4-20 UNC x 1 GR5
7	X	0400066	BOLT HHCS 1/4-20 UNC x 3/4 GR5
8	X	0400367	NUT NYLOK 1/4-20 UNC
9	4	0400126	BOLT HHCS 3/8-18 UNC x 1 GR5
10	4	0400392	NUT NYLOC 3/8-16 UNC
11	1	181391	AIR CYLINDER MTG BRKT 9-SPOOL GEN2
12	X	0809905	BOLT-ON AIR CYLINDER PLATE WELDMNT
13	X	0400366	NUT HEX 1/4-20 UNC
14	X	0400059	BOLT HHCS 1/4-20 UNC x 5/8 GR5

Section V - PARTS

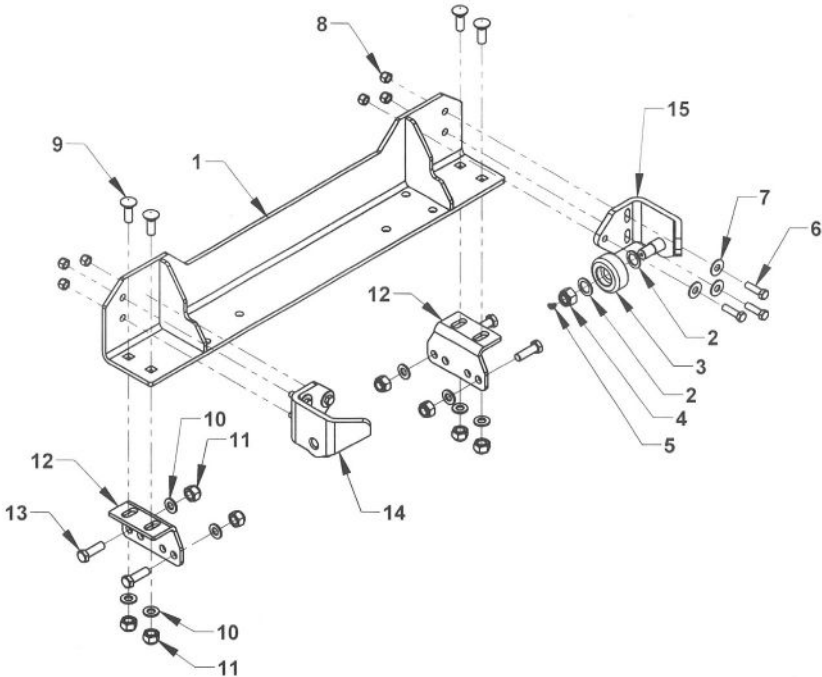
2 AIR VALVE CONTROL STATION



REF.	QTY	PART NO.	DESCRIPTION
1	1	0752655	2-TOGGLE AIR VALVE CONTROL HOOD
2	1	0752656L	2-TOGGLE AIR VALVE CONTROL PANEL - LEFT
	1	0752656R	2-TOGGLE AIR VALVE CONTROL PANEL - RIGHT
3	1	18221L	2-TOGGLE AIR VALVE CONTROL PLACARD - LEFT
	1	18221R	2-TOGGLE AIR VALVE CONTROL PLACARD - RIGHT
		18238L	2-TOGGLE AIR DUAL WINCH CONTROL PLACARD - LEFT
		18238R	2-TOGGLE AIR DUAL WINCH CONTROL PLACARD - RIGHT
4	2	18145	TOGGLE AIR GUARD
5	1	0320161	CONTROL LIGHT
6	2	71716	TOGGLE AIR VALVE
7	2	04000281	SCREW PRH #6-32 UNC x 7/8 SS
8	2	0403147	NUT, NYLON #6-32 UNC SS
9	6	0403079	BOLT BHCS 5/16-18 UNC x 1 SS
10	6	0402118	LOCK WASHER 5/16 SS
11	6	0403074	NUT, NYLON 5/16-18 UNC SS
12	2	04001085	BOLT HHCS 3/8-16 UNC x 1 SS
13	2	0402121	LOCK WASHER 3/8-16 SS
14	2	0402122	NUT, NYLON 3/8-16 UNC

Section V - PARTS

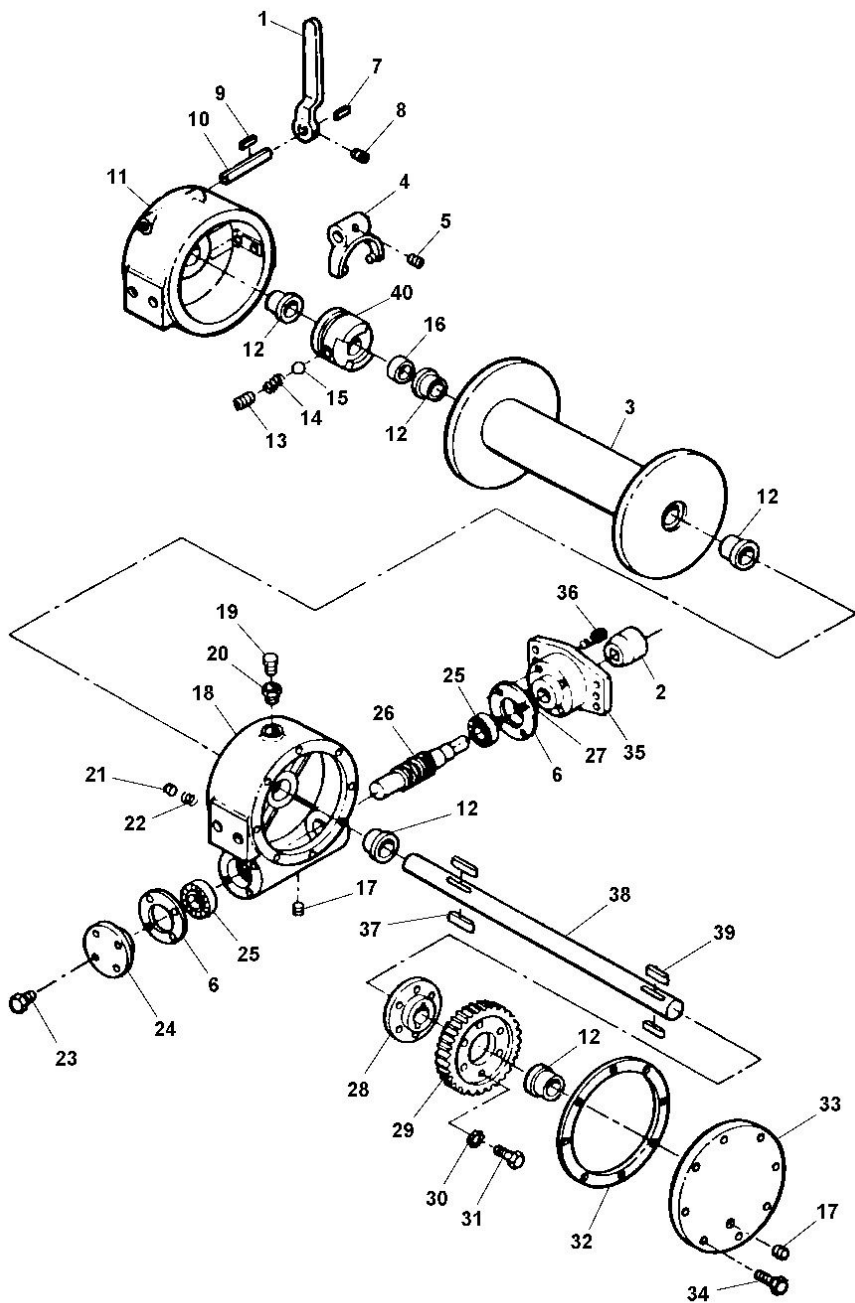
BODY LOCK ASSEMBLY-0940348



REF	PART #	DESCRIPTION	QPU
1	0809928	SERIES 10/20/30 G2 ROLLER BED LOCK	1
2	0400470	FLAT WASHER 1	4
3	36310	ROLLER WHEEL	2
4	04001225	NYLON LOCK NUT 7/8-14 UNF	2
5	0306382	GREASE FITTING 1/4-28	2
6	0400211	BOLT, HHCS 1/2-13 UNC x 1-3/4	6
7	0400492	FLAT WASHER 1/2 IN.	6
8	0400408	NYLON LOCK NUT 1/2-13 UNC	6
9	0403068	CARRIAGE BOLT 5/8-11 UNC x 1-3/4	4
10	0400505	FLAT WASHER 5/8	8
11	0400421	NYLON LOCK NUT 5/8-11 UNC	8
12	0809183	BODY LOCK MOUNTING BRACKET	2
13	0400260	BOLT, HHCS 5/8-11 UNC x 2 GRADE 5	4
14	36315L	BODY LOCK HOLD-DOWN - LH	1
15	36315R	BODY LOCK HOLD DOWN - RH	1

Section V - PARTS

RAMSEY 234 HYDRAULIC WINCH



Section V - PARTS

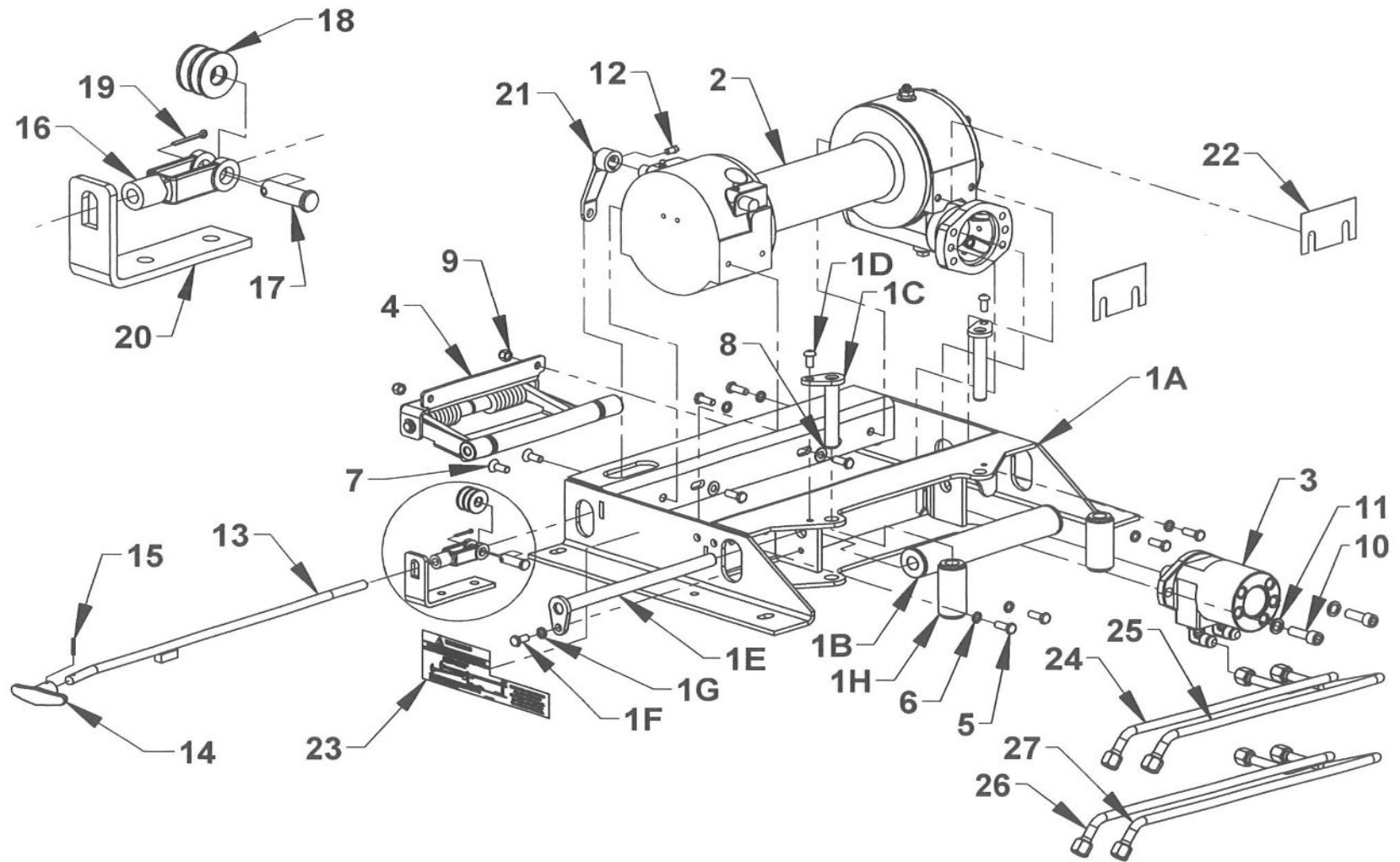
RAMSEY 234 HYDRAULIC WINCH

REF. NO.	NO. REQ'D	PART NUMBER	DESCRIPTION
1	1	0300261	LEVER
2	1	0300290	COUPLING
3	1	0300381	DRUM
4	1	0300398	YOKE
5	1	0300399	SCREW
6	2	0300447	GASKET
7	1	0300448	KEY
8	1	0300449	SCREW
9	1	0300450	KEY
10	1	0300451	SHAFT
11	1	0300452	CLUTCH HOUSING
12	5	0300453	BUSHING
13	1	0300454	SCREW
14	1	0300455	SPRING
15	1	0300456	BALL
16	1	0300458	SPACER
17	2	0300459	PLUG
18	1	0300460	HOUSING
19	1	0300461	PLUG
20	1	0300462	REDUCER
21	1	0300463	DRAG BRAKE
22	1	0300464	SPRING
23	16	0300465	SCREW
24	1	0300466	CAP
25	2	0300467	BEARING
26	1	0300468	WORM
27	1	0300471	SEAL
28	1	0300472	HUB
29	1	0300473	GEAR
30	6	0300474	WASHER
31	6	0300475	SCREW
32	1	0300476	GASKET
33	1	0600477	COVER
34	4	0300569	SCREW
35	1	0300694	CAP ADAPTOR
36	1	0300695	SCREW
37	2	--	KEY
38	1	--	SHAFT
39	2	--	KEY
40	1	--	CLUTCH
41	1	0308608	TORSION SPRING
*	1	0308698	4 TON WORM WINCH ASSEMBLY

* When ordering specify winch serial number.

Section V - PARTS

RAMSEY HD234 MANUAL-SHIFT WINCH GROUP
W/SINGLE CLUTCH CONTROL ROD ASSEMBLY
(UNDERWIND)

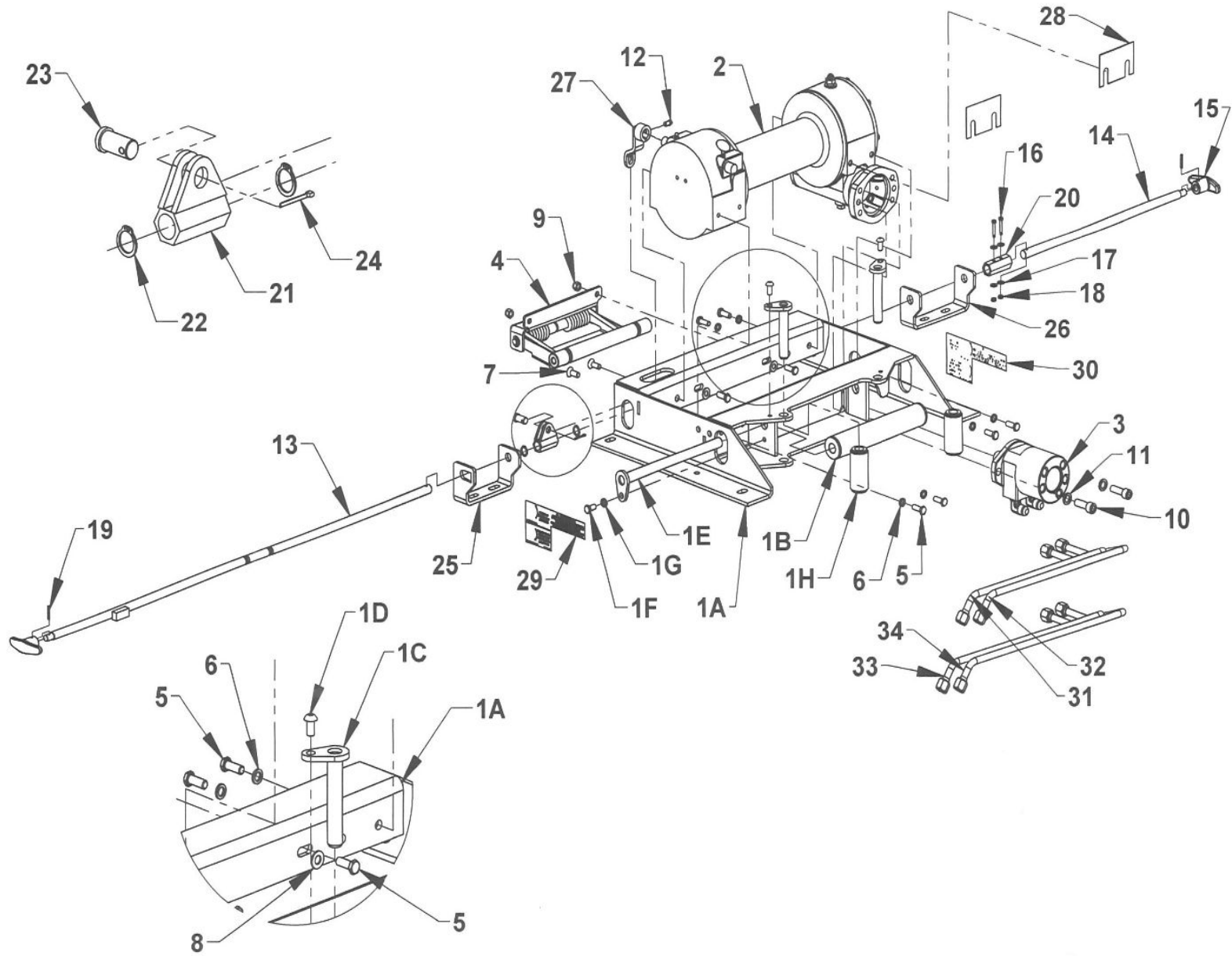


Section V - PARTS

RAMSEY HD234 MANUAL-SHIFT WINCH GROUP W/SINGLE CLUTCH CONTROL ROD ASSEMBLY (UNDERWIND)

REF. NO.	NO. REQ'D	PART NUMBER	DESCRIPTION
1	1	0940425	RAMSEY HD234 WINCH MTG FRAME-GEN2
1A	1	0811139	RAMSEY HD234 WINCH MOUNTING FRAME
1B	1	0940428	ROLLER ASSEMBLY - 1-3/4 DIAMETER
1C	1	0811142	VERTICAL ROLLER KEEPER PIN - RAMSEY 8K
1D	2	0403004	BOLT- BHCS 3/8-16 UNC x 3/4 ZP
1E	2	0811145	ROLLER GUIDE KEEPER PN - RAMSEY 8K WORM
1F	1	0400121	BOLT- HHCS 3/8-16 UNC x 3/4 ZP
1G	1	0400482	LOCK WASHER 3/8 ZP
1H	2	0709877G	RAMSEY HD234 VERTICAL ROLLER W/BUSHINGS
2	1	0308698	RAMSEY WINCH HD234 LEVER LOCK MANUAL SHIFT
3	1	0320147	WINCH MOTOR 5 CUBIC INCH
4	1	03020146	RAMSEY ROLLER TENSIONER-HD234
5	8	0400126	BOLT- HHCS 3/8-16 UNC x 1 ZP
6	6	0400482	LOCK WASHER 3/8 ZP
7	2	0403137	BOLT FHCS 3/8-16 x 1 GRB
8	2	0400480	FLAT WASHER 3/8 ZP
9	2	0400392	NUT NYLOCK 3/8-16 ZP
10	2	0400238	BOLT SHCS 1/2-13 x 1-1/2 GRB
11	2	0400491	LOCK WASHER 1/2 ZP
12	1	0400116	SET SCREW SQHD 5/16-18 x 1/2 ZP
13	1	0805170	RAMSEY WINCH CLUTCH CONTROL ROD
14	1	0301532	MILLER T-HANDLE
15	1	0400560	ROLL PIN 5/32 x 1
16	1	0301588	ADJUSTABLE YOKE
17	1	0400537	CLEVIS PIN 1/2 x 1-1/2 ZP
18	3	0400492	WASHER 1/2 FLAT
19	1	0400540	COTTER PIN 3/32 x 1
20	1	0710918	RAMSEY CLUTCH HANDLE MOUNTING ANGLE
21	1	0805151	BELL CRANK ARM
22	2	0701172-18	SHIM-RAMSEY HD234
23	1	0500815	WINCH SAFETY DECAL
24	1	0752167-R	S10-16 CNV RAMSEY HD234 FLUID TUBE-SHORT
25	1	0752168-R	S10-16 CNV RAMSEY HD234 FLUID TUBE-LONG
26	1	0751974-R	S12-16 LCG RAMSEY HD234 FLUID TUBE-SHORT
27	1	0751975-R	S12-16 LCG RAMSEY HD234 FLUID TUBE-LONG

Section V - PARTS
RAMSEY HD234 MANUAL-SHIFT WINCH GROUP WITH
DUAL CLUTCH CONTROL ROD ASSEMBLY

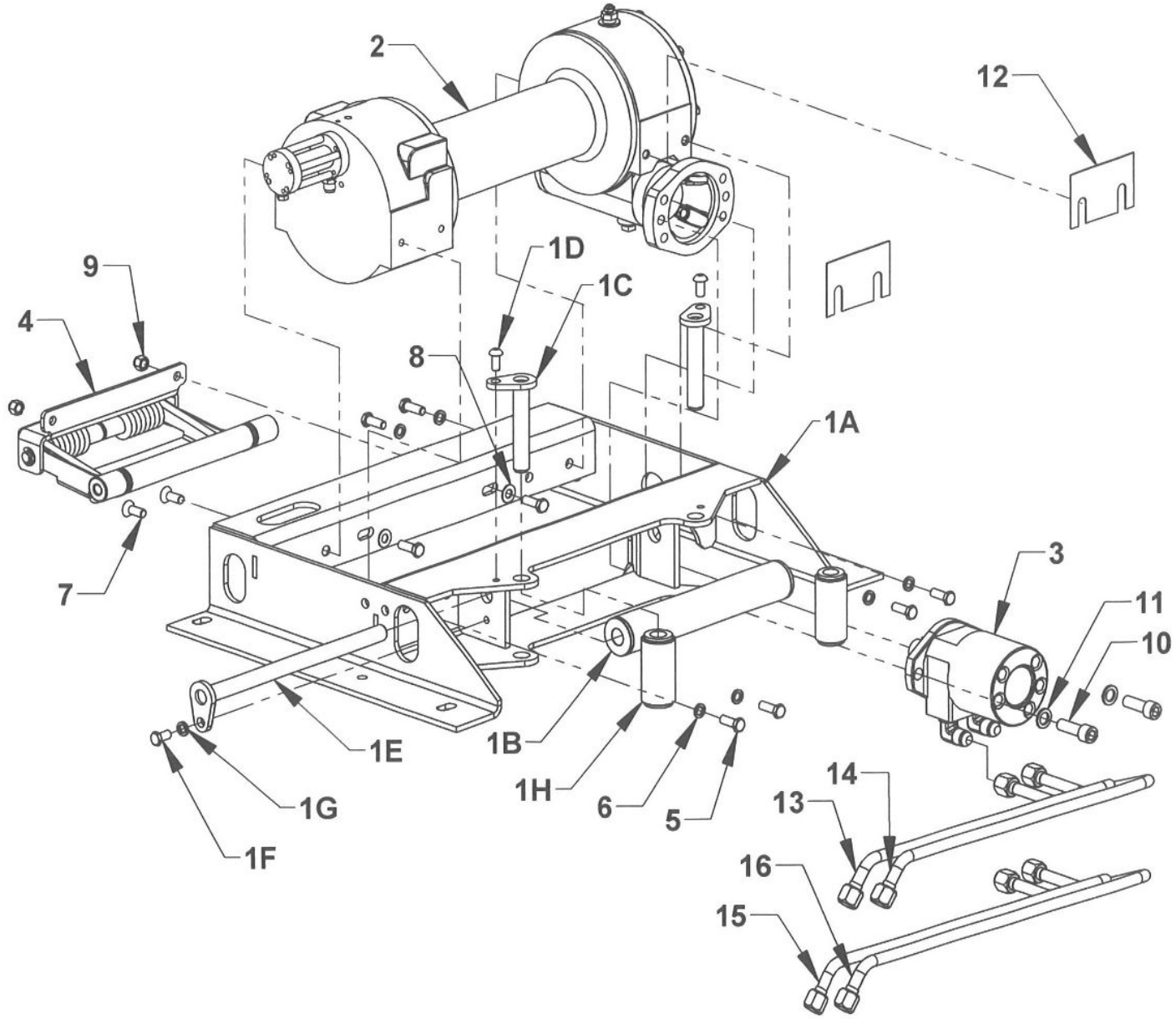


Section V - PARTS

RAMSEY HD234 MANUAL-SHIFT WINCH GROUP WITH DUAL CLUTCH CONTROL ROD ASSEMBLY

REF. NO.	NO. REQ'D	PART NUMBER	DESCRIPTION
1	1	0940425	RAMSEY HD234 WINCH MTG FRAME-GEN2
1A	1	0811139	RAMSEY HD234 WINCH MOUNTING FRAME
1B	1	0940428	ROLLER ASSEMBLY - 1-3/4 DIAMETER
1C	2	0811142	VERTICAL ROLLER KEEPER PIN - RAMSEY 8K
1D	2	0403004	BOLT- BHCS 3/8-16 UNC x 3/4 ZP
1E	1	0811145	ROLLER GUIDE KEEPER PN - RAMSEY 8K WORM
1F	1	0400121	BOLT- HHCS 3/8-16 UNC x 3/4 ZP
1G	1	0400482	LOCK WASHER 3/8 ZP
1H	2	0709877G	RAMSEY HD234 VERTICAL ROLLER W/BUSHINGS
2	1	0308698	RAMSEY WINCH HD234 LEVER LOCK MANUAL SHIFT
3	1	0320147	WINCH MOTOR 5 CUBIC INCH
4	1	03020146	RAMSEY ROLLER TENSIONER-HD234
5	8	0400126	BOLT- HHCS 3/8-16 UNC x 1 ZP
6	6	0400482	LOCK WASHER 3/8 ZP
7	2	0403137	BOLT FHSCS 3/8-16 x 1 GRB
8	2	0400480	FLAT WASHER 3/8 ZP
9	2	0400392	NUT NYLOCK 3/8-16 ZP
10	2	0400238	BOLT SHCS 1/2-13 x 1-1/2 GRB
11	2	0400491	LOCK WASHER 1/2 ZP
12	1	0400116	SET SCREW SQHD 5/16-18 x 1/2 GRB
13	1	08002469	DUAL CLUTCH HANDLE ROD - 45"
14	1	07004181	DUAL CLUTCH HANDLE ROD - 19"
15	2	0201532	MILLER T-HANDLE
16	2	0403170	BOLT SSB #10 x 1 #8-32 SS
17	4	0403005	FLAT WASHER #10 SS
18	2	04003908	NUT #8-32 HE NYLOCK SS
19	2	0400560	ROLL PIN 5/32 x 1
20	1	07004182	DUAL CLUTCH CONTROL ROD COUPLING
21	1	08002489	DUAL CLUTCH HANDLE BUSHING
22	2	86062E	SNAP RING 5/8 EXTERNAL
23	1	04000341	CLEVIS PIN 1/2 x 1 ZP
24	1	0400540	COTTER PIN 3/32 x 1
25	1	07004164	DUAL CLUTCH HANDLE MTG ANGLE - LH
26	1	07004165	DUAL CLUTCH HANDLE MTG ANGLE - RH
27	1	08002468	DUAL HANDLE CLUTCH CRANK ARM
28	2	0701172-18	SHIM-RAMSEY HD234
29	1	05000522L	WINCH SAFETY DECAL - LH
30	1	0500522R	WINCH SAFETY DECAL - RH
31	1	0752167-R	S10-16 CNV RAMSEY HD234 FLUID TUBE-SHORT
32	1	0752168-R	S10-16 CNV RAMSEY HD234 FLUID TUBE-LONG
33	1	0751974-R	S12-16 LCG RAMSEY HD234 FLUID TUBE-SHORT
34	1	0751975-R	S12-16 LCG RAMSEY HD234 FLUID TUBE-LONG

Section V - PARTS
RAMSEY HD234 AIR-SHIFT WINCH GROUP

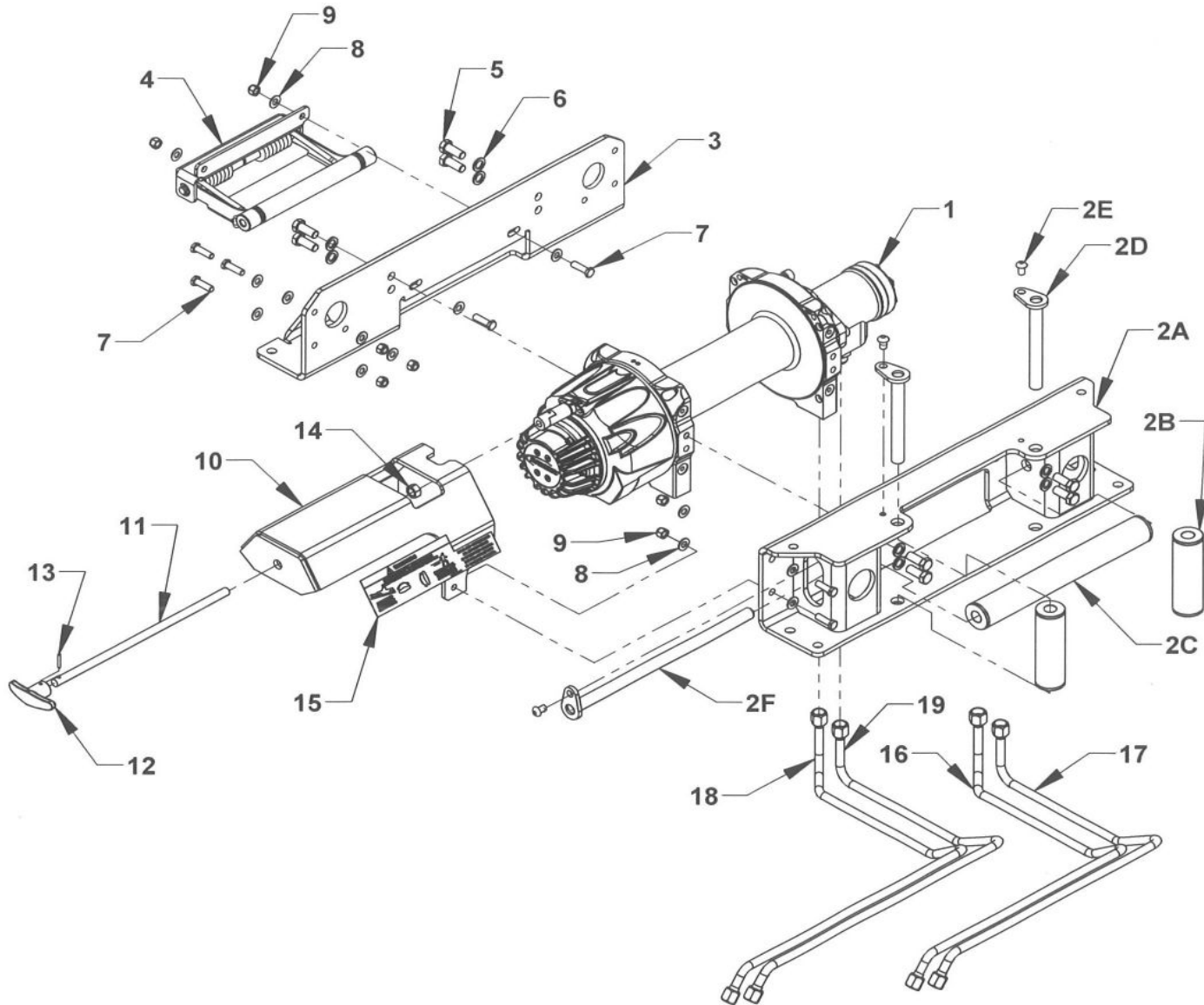


Section V - PARTS

RAMSEY HD234 AIR-SHIFT WINCH GROUP

REF. NO.	NO. REQ'D	PART NUMBER	DESCRIPTION
1	1	0940425	RAMSEY HD234 WINCH MTG FRAME-GEN2
1A	1	0811139	RAMSEY HD234 WINCH MOUNTING FRAME
1B	1	0940428	ROLLER ASSEMBLY - 1-3/4 DIAMETER
1C	2	0811142	VERTICAL ROLLER KEEPER PIN - RAMSEY 8K
1D	2	0403004	BOLT- BHCS 3/8-16 UNC x 3/4 ZP
1E	1	0811145	ROLLER GUIDE KEEPER PN - RAMSEY 8K WORM
1F	1	0400121	BOLT- HHCS 3/8-16 UNC x 3/4 ZP
1G	1	0400482	LOCK WASHER 3/8 ZP
1H	2	0709877G	RAMSEY HD234 VERTICAL ROLLER W/BUSHINGS
2	1	0308535	RAMSEY WINCH HD234 SHIFT
3	1	0320147	WINCH MOTOR 5 CUBIC INCH
4	1	03020146	RAMSEY ROLLER TENSIONER-HD234
5	8	0400126	BOLT- HHCS 3/8-16 UNC x 1 ZP
6	6	0400482	LOCK WASHER 3/8 ZP
7	2	0403137	BOLT FHSCS 3/8-16 x 1 GRB
8	2	0400480	FLAT WASHER 3/8 ZP
9	2	0400392	NUT NYLOCK 3/8-16 ZP
10	2	0400238	BOLT SHCS 1/2-13 x 1-1/2 GRB
11	2	0400491	LOCK WASHER 1/2 ZP
12	2	0701172-18	SHIM-RAMSEY HD234
13	1	0752167-R	S10-16 CNV RAMSEY HD234 FLUID TUBE-SHORT
14	1	0752168-R	S10-16 CNV RAMSEY HD234 FLUID TUBE-LONG
15	1	0751974-R	S12-16 LCG RAMSEY HD234 FLUID TUBE-SHORT
16	1	0751975-R	S12-16 LCG RAMSEY HD234 FLUID TUBE-LONG

Section V - PARTS
RAMSEY WINCH - 0940421-0810AM
8K SIERRA PLANETARY MANUAL SHIFT

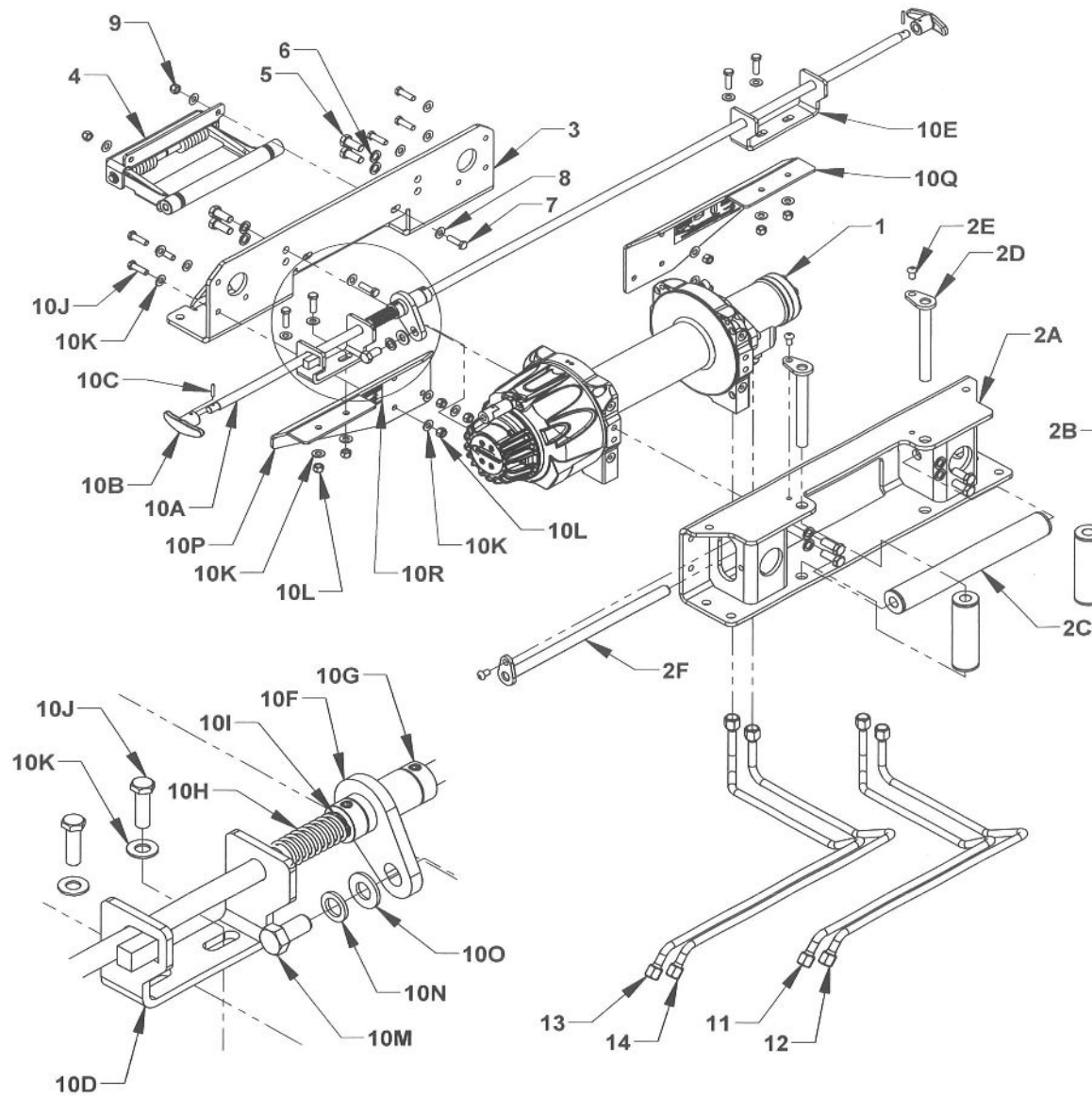


Section V - PARTS

RAMSEY WINCH - 0940421-0810AM 8K SIERRA PLANETARY MANUAL SHIFT

REF. NO.	NO. REQ'D	PART NUMBER	DESCRIPTION
1	1	0320127-0810AM	RAMSEY SIERRA 8K PLANETARY WINCH
2	1	0940422	RAMSEY SIERRA ROLLER GUIDE ASSEMBLY
2A	1	0811127	RAMSEY SIERRA ROLLER GUIDE
2B	2	0809640	ROLLER ASSEMBLY - 1.75 DIAMETER
2C	1	A901520	ROLLER ASSEMBLY - 1.75 DIAMETER
2D	2	0809641	ROLLER GUIDE KEEPER PIN
2E	3	0403161	BOLT 3/8-16 UNC x 5/8 BUTTON HEAD
2F	1	A901525	ROLLER GUIDE KEEPER PIN
3	1	0811128	RAMSEY SIERRA FRONT MTG CHANNEL
4	1	03019524	SIERRA CABLE TENSIONER GEN 2
5	8	0400177	BOLT HHCS 1/2-13 UNC x 1-1/4
6	8	0400491	WASHER 1/2 LOCK
7	7	0400122	BOLT HHCS 3/8-16 UNC x 1-1/4
8	17	0400480	FLAT WASHER 3/8 SAE ZP
9	7	0400392	NYLON LOCK NUT 3/8-16 UNC
10	1	08011591	RAMSEY SIERRA T-HANDLE SUPPORT BRKT
11	1	0752684	RAMSEY SIERRA REMOTE CLUTCH ROD
12	1	0301532	MILLER T- HANDLE
13	1	0400560	ROLL PIN 1/8 x 7/8
14	1	0400407	NUT HEX 1/2
15	1	05002123	FREE SPOOL DECAL RAMSEY SIERRA
16	1	0752167-RS08	S10-16 CNV SIERRA FLUID TUBE-SHORT
17	1	0752168-RS08	S10-16 CNV SIERRA FLUID TUBE-LONG
18	1	0751974-RS08	S12-16 LCG SIERRA FLUID TUBE-SHORT
19	1	0751975-RS08	S12-16 LCG SIERRA FLUID TUBE-LONG

Section V - PARTS
RAMSEY WINCH - 0940421-0810AM
8K SIERRA PLANETARY MANUAL SHIFT
DUAL HANDLE CLUTCH CONTROL ROD ASSEMBLY



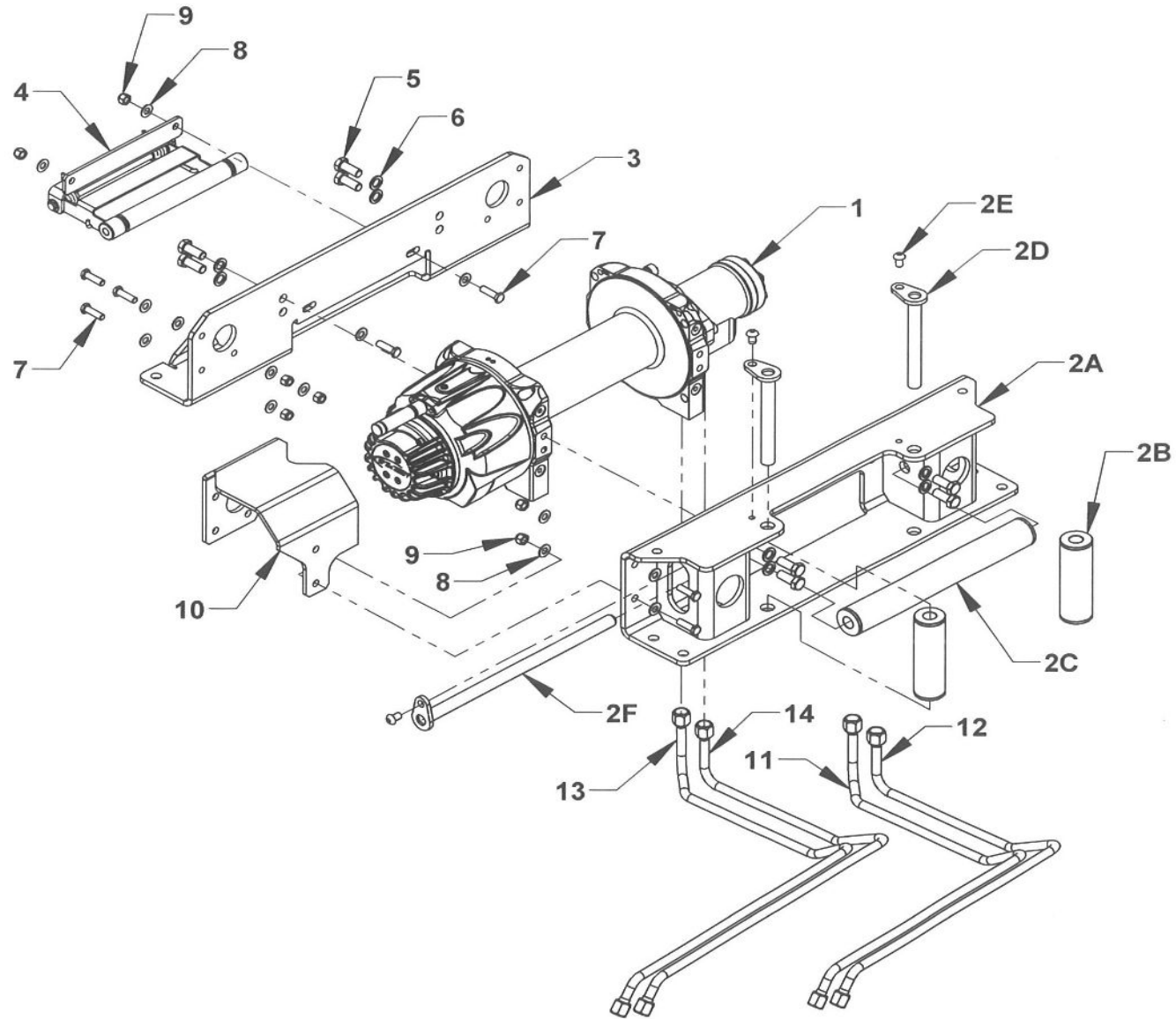
Section V - PARTS

RAMSEY WINCH - 0940421-0810AM 8K SIERRA PLANETARY MANUAL SHIFT DUAL HANDLE CLUTCH CONTROL ROD ASSEMBLY

REF. NO.	QTY	PART NUMBER	DESCRIPTION
1	1	0320127-0810AM	RAMSEY SIERRA 8K PLANETARY WINCH
2	1	0940422	RAMSEY SIERRA ROLLER GUIDE ASSEMBLY
2A	1	0811127	RAMSEY SIERRA ROLLER GUIDE
2B	2	0809640	ROLLER ASSEMBLY - 1.75 DIAMETER
2C	1	A901520	ROLLER ASSEMBLY - 1.75 DIAMETER
2D	2	0809641	ROLLER GUIDE KEEPER PIN
2E	3	0403161	BOLT 3/8-16 UNC x 5/8 BUTTON HEAD
2F	1	A901525	ROLLER GUIDE KEEPER PIN
3	1	0811128	RAMSEY SIERRA FRONT MTG CHANNEL
4	1	03019524	SIERRA CABLE TENSIONER GEN 2
5	8	0400177	BOLT HHCS 1/2-13 UNC x 1-1/4
6	8	0400491	WASHER 1/2 LOCK
7	2	0400122	BOLT HHCS 3/8-16 UNC x 1-1/4
8	4	0400480	FLAT WASHER 3/8 SAE ZP
9	2	0400392	NYLON LOCK NUT 3/8-16 UNC
10	1	09011048	RAMSEY SIERRA DUAL HANDLE ROD ASSEM
10A	1	08009068	SIERRA DUAL HANDLE CONTROL ROD - 64"
10B	2	0301532	MILLER T- HANDLE
10C	2	0400560	ROLL PIN 5/32 x 1
10D	1	07021447	DUAL CLUTCH HANDLE MTG CHANNEL - LH
10E	1	07004165	DUAL CLUTCH HANDLE MTG CHANNEL - RH
10F	1	08009269	DUAL HANDLE KEEPER BUSHING
10G	2	03012489	SET SCREW COLLAR 5/8 SHAFT, 5/16-18 x 1/4 SET SCREW
10H	1	03012928	SPRING COMPRESSION 3 x .875 OD x .091" WIRE DIA.
10I	2	86062E	SNAP RING 5/8 EXTERNAL
10J	10	0400122	BOLT HHCS 3/8-16 UNC x 1-1/4
10K	20	0400480	FLAT WASHER 3/8 SAE ZP
10L	10	0400392	NYLON LOCK NUT 3/8-16 UNC
10M	1	0400176	BOLT HHS 1/2-13 UNC x 1
10N	1	0400491	WASHER 1/2 LOCK
10O	1	0403040	FLAT WASHER 1/2 SAE ZP
10P	1	07014129L	RAMSEY SIERRA DUAL HANDLE MTG BRACKET - LH
10Q	1	07014129R	RAMSEY SIERRA DUAL HANDLE MTG BRACKET - RH
10R	2	05001603	FREE SPOOL DECAL RAMSEY SIERRA DUAL HANDLE
11	1	0752167-RS08	S10-16 CNV SIERRA FLUID TUBE-SHORT
12	1	0752168-RS08	S10-16 CNV SIERRA FLUID TUBE-LONG
13	1	0751974-RS08	S12-16 LCG SIERRA FLUID TUBE-SHORT
14	1	0751975-RS08	S12-16 LCG SIERRA FLUID TUBE-LONG

Section V - PARTS

**RAMSEY WINCH - 0940421-0810AA
8K SIERRA PLANETARY AIR SHIFT**



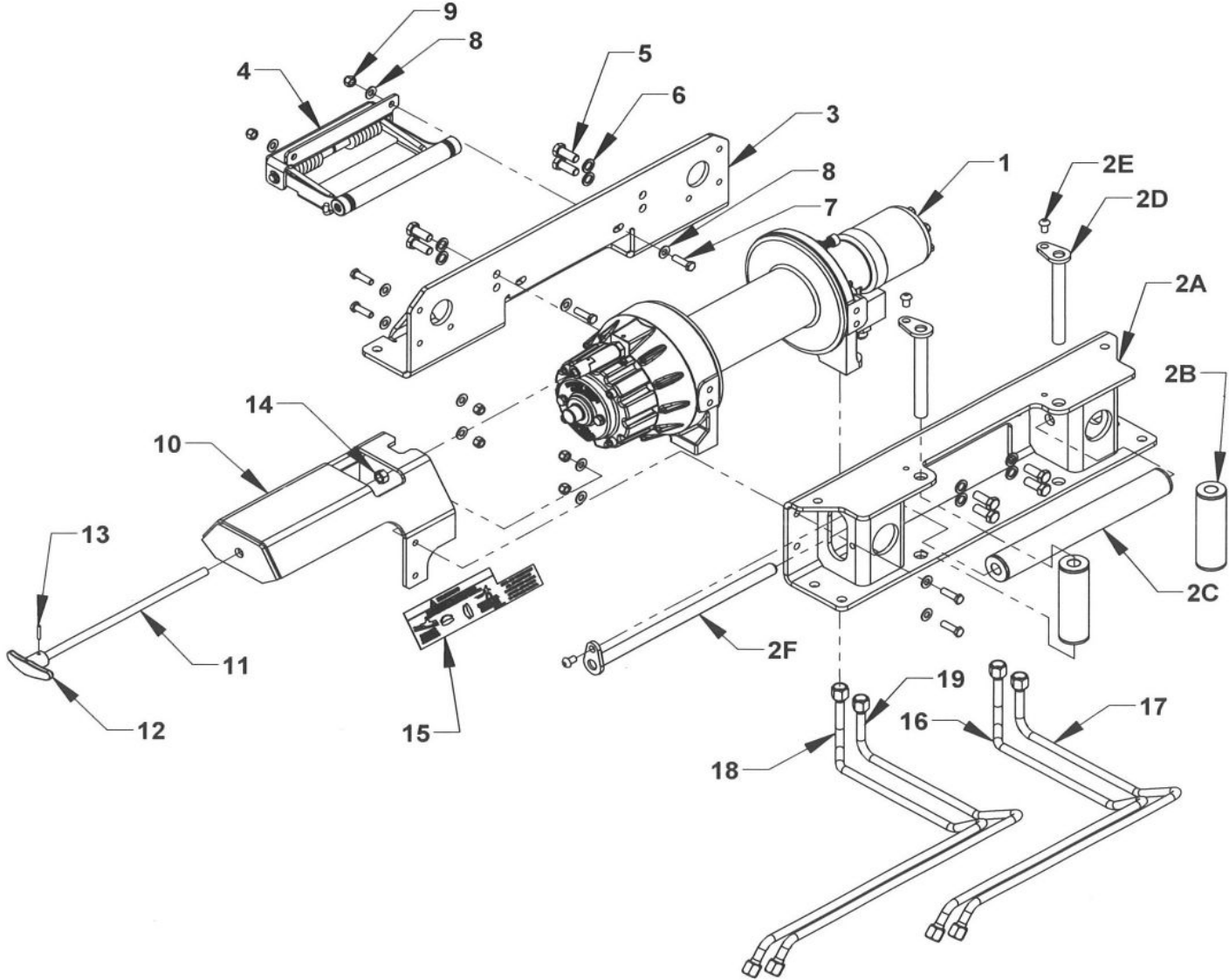
Section V - PARTS

RAMSEY WINCH - 0940421-0810AA 8K SIERRA PLANETARY AIR SHIFT

REF. NO.	NO. REQ'D	PART NUMBER	DESCRIPTION
1	1	0320127-0810AA	RAMSEY SIERRA 8K PLANETARY WINCH
2	1	0940422	RAMSEY SIERRA ROLLER GUIDE ASSEMBLY
2A	1	0811127	RAMSEY SIERRA ROLLER GUIDE
2B	2	0809640	ROLLER ASSEMBLY - 1.75 DIAMETER
2C	1	A901520	ROLLER ASSEMBLY - 1.75 DIAMETER
2D	2	0809641	ROLLER GUIDE KEEPER PIN
2E	3	0403161	BOLT 3/8-16 UNC x 5/8 BUTTON HEAD
2F	1	A901525	ROLLER GUIDE KEEPER PIN
3	1	0811128	RAMSEY SIERRA FRONT MTG CHANNEL
4	1	03019524	SIERRA CABLE TENSIONER GEN 2
5	8	0400177	BOLT HHCS 1/2-13 UNC x 1-1/4
6	8	0400491	WASHER 1/2 LOCK
7	7	0400122	BOLT HHCS 3/8-16 UNC x 1-1/4
8	14	0400480	FLAT WASHER 3/8 SAE ZP
9	7	0400392	NYLON LOCK NUT 3/8-16 UNC
10	1	07005433	RAMSEY SIERRA AIR CYLINDER GUARD
11	1	0752167-RS08	S10-16 CNV SIERRA FLUID TUBE-SHORT
12	1	0752168-RS08	S10-16 CNV SIERRA FLUID TUBE-LONG
13	1	0751974-RS08	S12-16 LCG SIERRA FLUID TUBE-SHORT
14	1	0751975-RS08	S12-16 LCG SIERRA FLUID TUBE-LONG

Section V - PARTS

RAMSEY WINCH - 09023899-0810AM
8K OMEGA PLANETARY MANUAL SHIFT



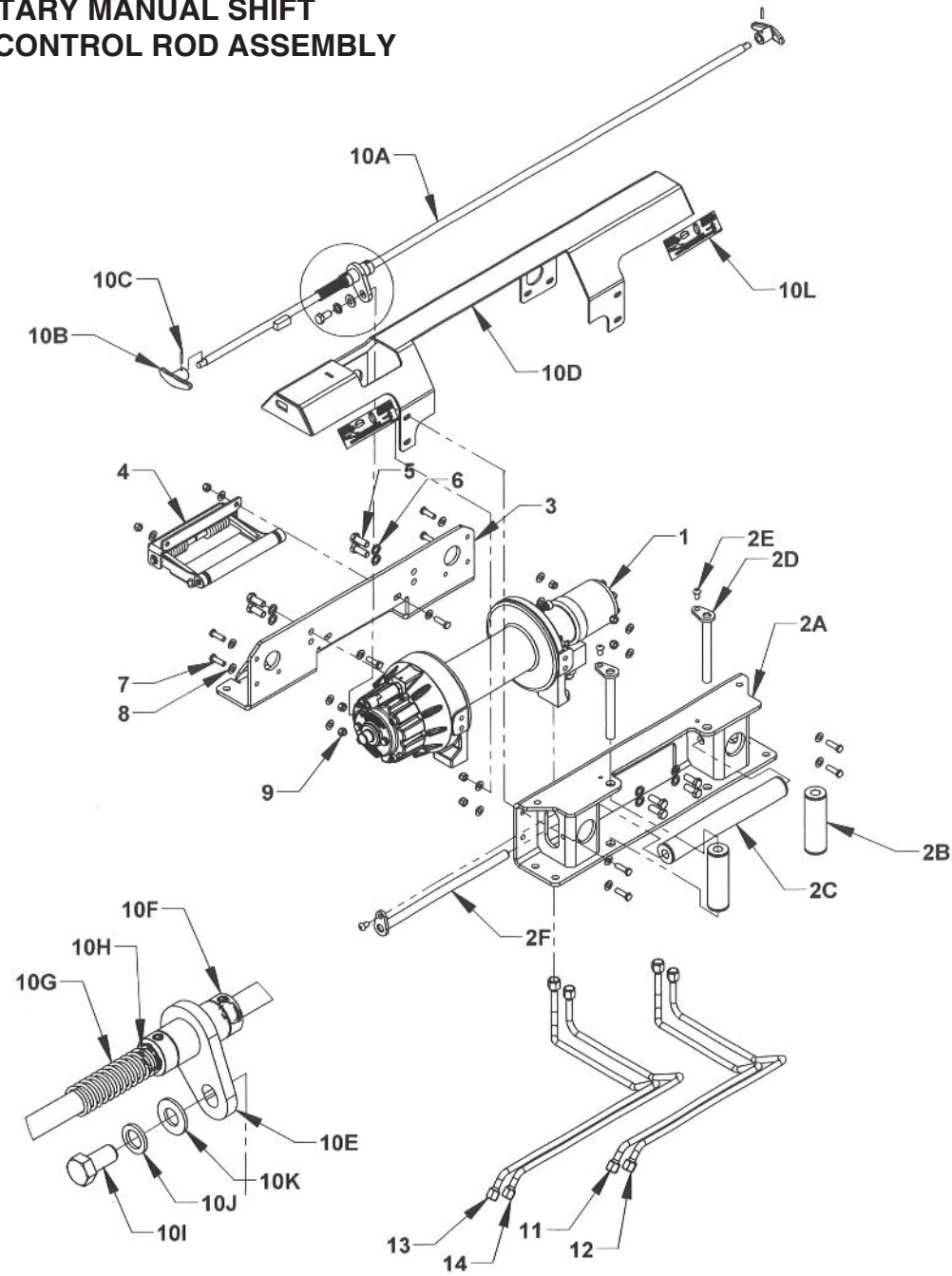
Section V - PARTS

RAMSEY WINCH - 09023899-0810AM 8K OMEGA PLANETARY MANUAL SHIFT

REF. NO.	NO. REQ'D	PART NUMBER	DESCRIPTION
1	1	03026291-0810AM	RAMSEY OMEGA 8K PLANETARY WINCH
2	1	0940422	RAMSEY OMEGA ROLLER GUIDE ASSEMBLY
2A	1	0811127	RAMSEY OMEGA ROLLER GUIDE
2B	2	0809640	ROLLER ASSEMBLY - 1.75 DIAMETER
2C	1	A901520	ROLLER ASSEMBLY - 1.75 DIAMETER
2D	2	0809641	ROLLER GUIDE KEEPER PIN
2E	3	0403161	BOLT 3/8-16 UNC x 5/8 BUTTON HEAD
2F	1	A901525	ROLLER GUIDE KEEPER PIN
3	1	0811128	RAMSEY OMEGA FRONT MTG CHANNEL
4	1	03025735	OMEGA CABLE TENSIONER GEN 2
5	8	0400177	BOLT HHCS 1/2-13 UNC x 1-1/4
6	8	0400491	WASHER 1/2 LOCK
7	7	0400122	BOLT HHCS 3/8-16 UNC x 1-1/4
8	14	0400480	FLAT WASHER 3/8 SAE ZP
9	7	0400392	NYLON LOCK NUT 3/8-16 UNC
10	1	08011591	RAMSEY OMEGA T-HANDLE SUPPORT BRKT
11	1	0752684	RAMSEY OMEGA REMOTE CLUTCH ROD
12	1	0301532	MILLER T- HANDLE
13	1	0400560	ROLL PIN 1/8 x 7/8
14	1	0400407	NUT HEX 1/2
15	1	05002123	FREE SPOOL DECAL RAMSEY OMEGA
16	1	0752167-RS12	S10-16 CNV OMEGA FLUID TUBE-SHORT
17	1	0752168-RS12	S10-16 CNV OMEGA FLUID TUBE-LONG
18	1	0751974-RS12	S12-16 LCG OMEGA FLUID TUBE-SHORT
19	1	0751975-RS12	S12-16 LCG OMEGA FLUID TUBE-LONG

Section V - PARTS

RAMSEY WINCH - 09023899-0810AM
8K OMEGA PLANETARY MANUAL SHIFT
DUAL HANDLE CLUTCH CONTROL ROD ASSEMBLY



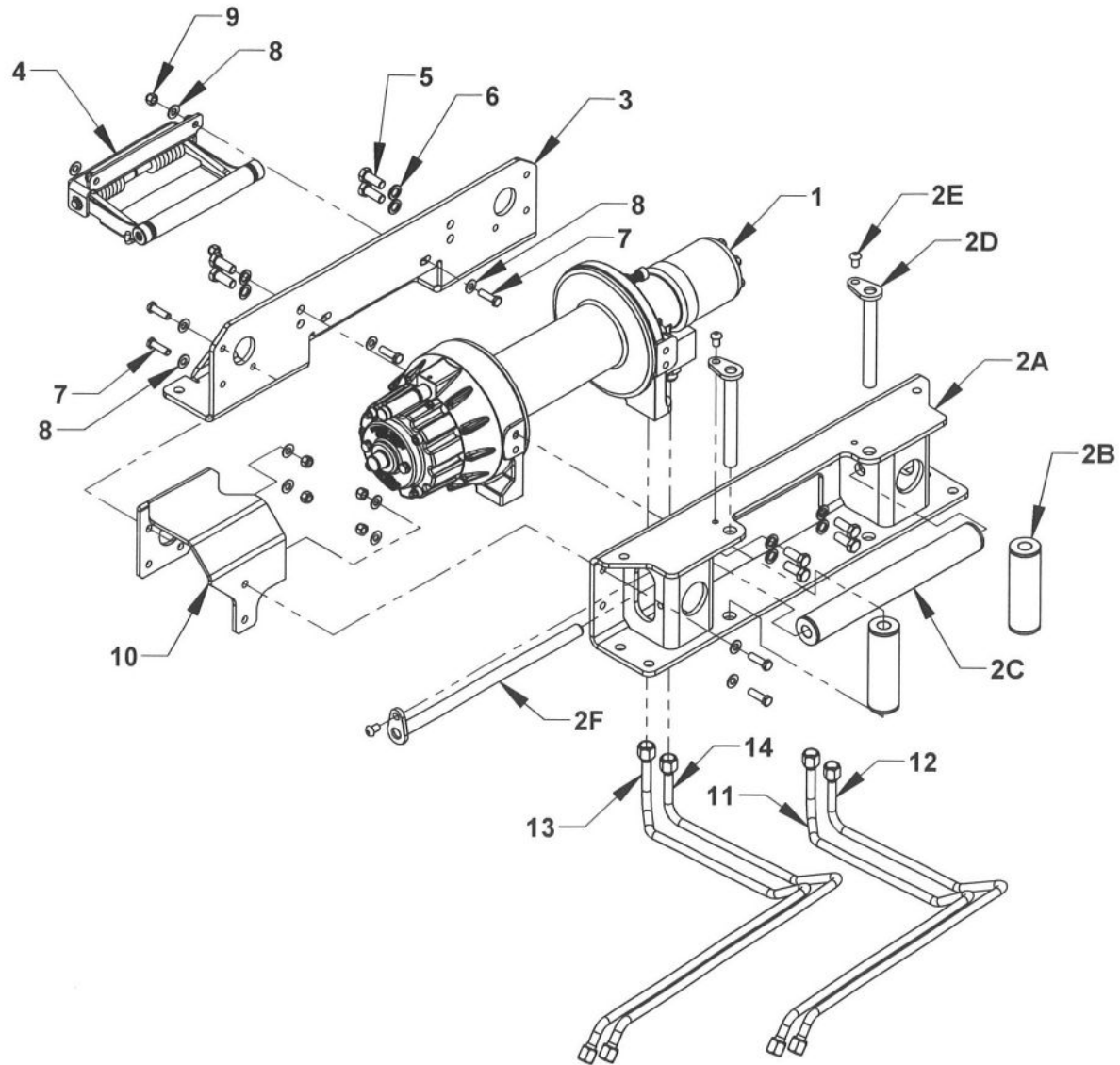
Section V - PARTS

RAMSEY WINCH - 09023899-0810AM 8K OMEGA PLANETARY MANUAL SHIFT DUAL HANDLE CLUTCH CONTROL ROD ASSEMBLY

REF. NO.	QTY	PART NUMBER	DESCRIPTION
1	1	0320127-0810AM	RAMSEY OMEGA 8K PLANETARY WINCH
2	1	0940422	RAMSEY ROLLER GUIDE ASSEMBLY
2A	1	0811127	RAMSEY ROLLER GUIDE
2B	2	0809640	ROLLER ASSEMBLY - 1.75 DIAMETER
2C	1	A901520	ROLLER ASSEMBLY - 1.75 DIAMETER
2D	2	0809641	ROLLER GUIDE KEEPER PIN
2E	3	0403161	BOLT 3/8-16 UNC x 5/8 BUTTON HEAD
2F	1	A901525	ROLLER GUIDE KEEPER PIN
3	1	0811128	RAMSEY FRONT MTG CHANNEL
4	1	03025735	OMEGA CABLE TENSIONER
5	8	0400177	BOLT HHCS 1/2-13 UNC x 1-1/4
6	8	0400491	WASHER 1/2 LOCK
7	10	0400122	BOLT HHCS 3/8-16 UNC x 1-1/4
8	20	0400480	FLAT WASHER 3/8 SAE ZP
9	10	0400392	NYLON LOCK NUT 3/8-16 UNC
10	1	09022538	OMEGA DUAL HANDLE FREE SPOOL ASSEMBLY
10A	1	08009068	OMEGA DUAL HANDLE CONTROL ROD - 64"
10B	2	0301532	MILLER T- HANDLE
10C	2	0400560	ROLL PIN 5/32 x 1
10D	1	08019903	OMEGA T-HANDLE SUPPORT BRACKET
10E	1	08019921	DUAL HANDLE KEEPER BUSHING
10F	2	03012489	SET SCREW COLLAR 5/8 SHAFT, 5/16-18 x 1/4 SET SCREW
10G	1	03012928	SPRING COMPRESSION 3 x .875 OD x .091" WIRE DIA.
10H	2	86062E	SNAP RING 5/8 EXTERNAL
10I	1	0400176	BOLT HHS 1/2-13 UNC x 1
10J	2	0400491	WASHER 1/2 LOCK
10K	1	0403040	FLAT WASHER 1/2 SAE ZP
10L	2	05001603	FREE SPOOL DECAL RAMSEY DUAL HANDLE
11	1	0752167-RS12	S10-16 CNV OMEGA FLUID TUBE-SHORT
12	1	0752168-RS12	S10-16 CNV OMEGA FLUID TUBE-LONG
13	1	0751974-RS12	S12-16 LCG OMEGA FLUID TUBE-SHORT
14	1	0751975-RS12	S12-16 LCG OMEGA FLUID TUBE-LONG

Section V - PARTS

**RAMSEY WINCH - 09023899-0810AA
8K OMEGA PLANETARY AIR SHIFT**



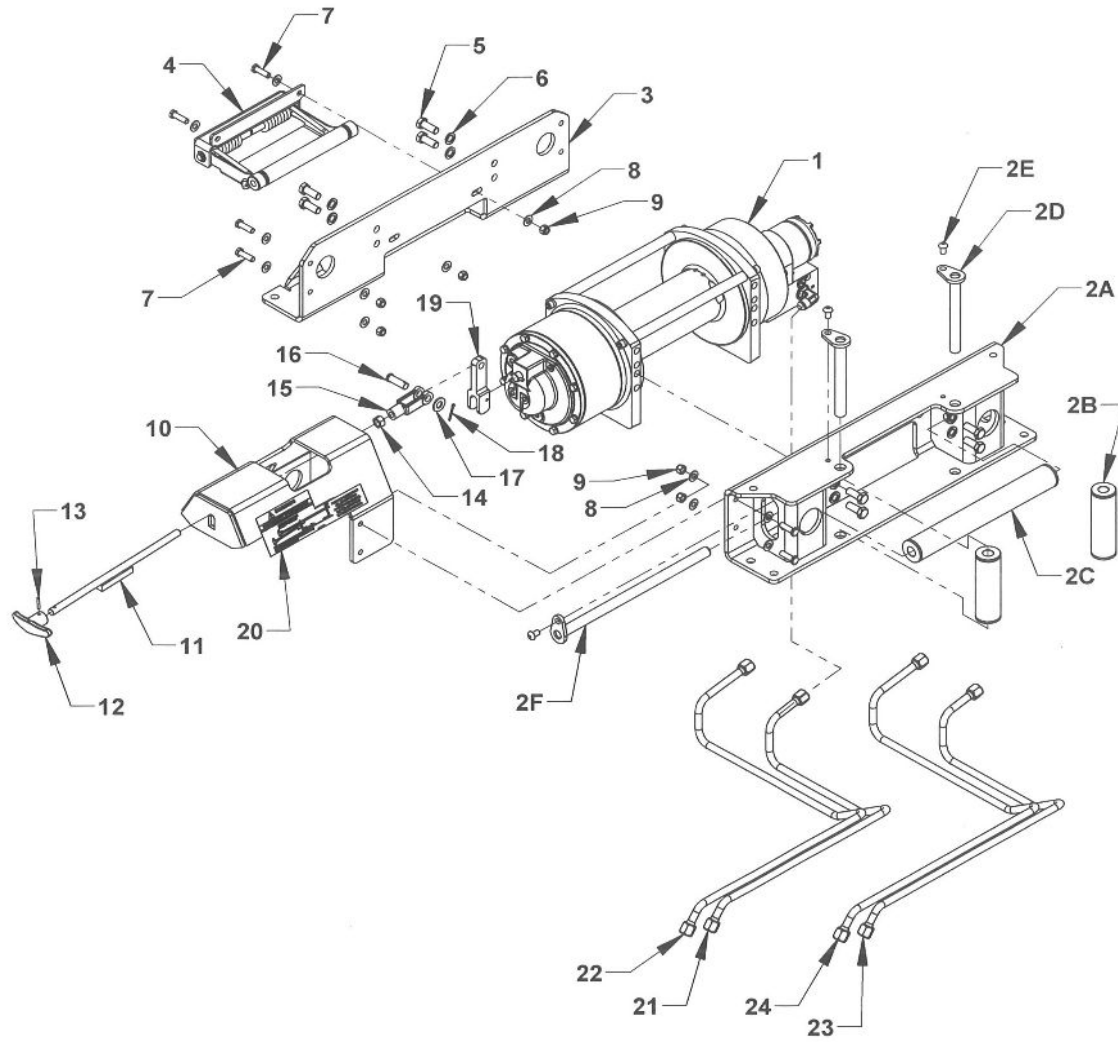
Section V - PARTS

RAMSEY WINCH - 09023899-0810AA 8K OMEGA PLANETARY AIR SHIFT

REF. NO.	NO. REQ'D	PART NUMBER	DESCRIPTION
1	1	03026291-0810AA	RAMSEY OMEGA 8K PLANETARY WINCH
2	1	0940422	RAMSEY ROLLER GUIDE ASSEMBLY
2A	1	0811127	RAMSEY ROLLER GUIDE
2B	2	0809640	ROLLER ASSEMBLY - 1.75 DIAMETER
2C	1	A901520	ROLLER ASSEMBLY - 1.75 DIAMETER
2D	2	0809641	ROLLER GUIDE KEEPER PIN
2E	3	0403161	BOLT 3/8-16 UNC x 5/8 BUTTON HEAD
2F	1	A901525	ROLLER GUIDE KEEPER PIN
3	1	0811128	RAMSEY FRONT MTG CHANNEL
4	1	03025735	OMEGA CABLE TENSIONER GEN 2
5	8	0400177	BOLT HHCS 1/2-13 UNC x 1-1/4
6	8	0400491	WASHER 1/2 LOCK
7	7	0400122	BOLT HHCS 3/8-16 UNC x 1-1/4
8	14	0400480	FLAT WASHER 3/8 SAE ZP
9	7	0400392	NYLON LOCK NUT 3/8-16 UNC
10	1	07005433	RAMSEY AIR CYLINDER GUARD
11	1	0752167-RS12	S10-16 CNV OMEGA FLUID TUBE-SHORT
12	1	0752168-RS12	S10-16 CNV OMEGA FLUID TUBE-LONG
13	1	0751974-RS12	S12-16 LCG OMEGA FLUID TUBE-SHORT
14	1	0751975-RS12	S12-16 LCG OMEGA FLUID TUBE-LONG

Section V - PARTS

DP WINCH - DP PLANETARY MANUAL SHIFT



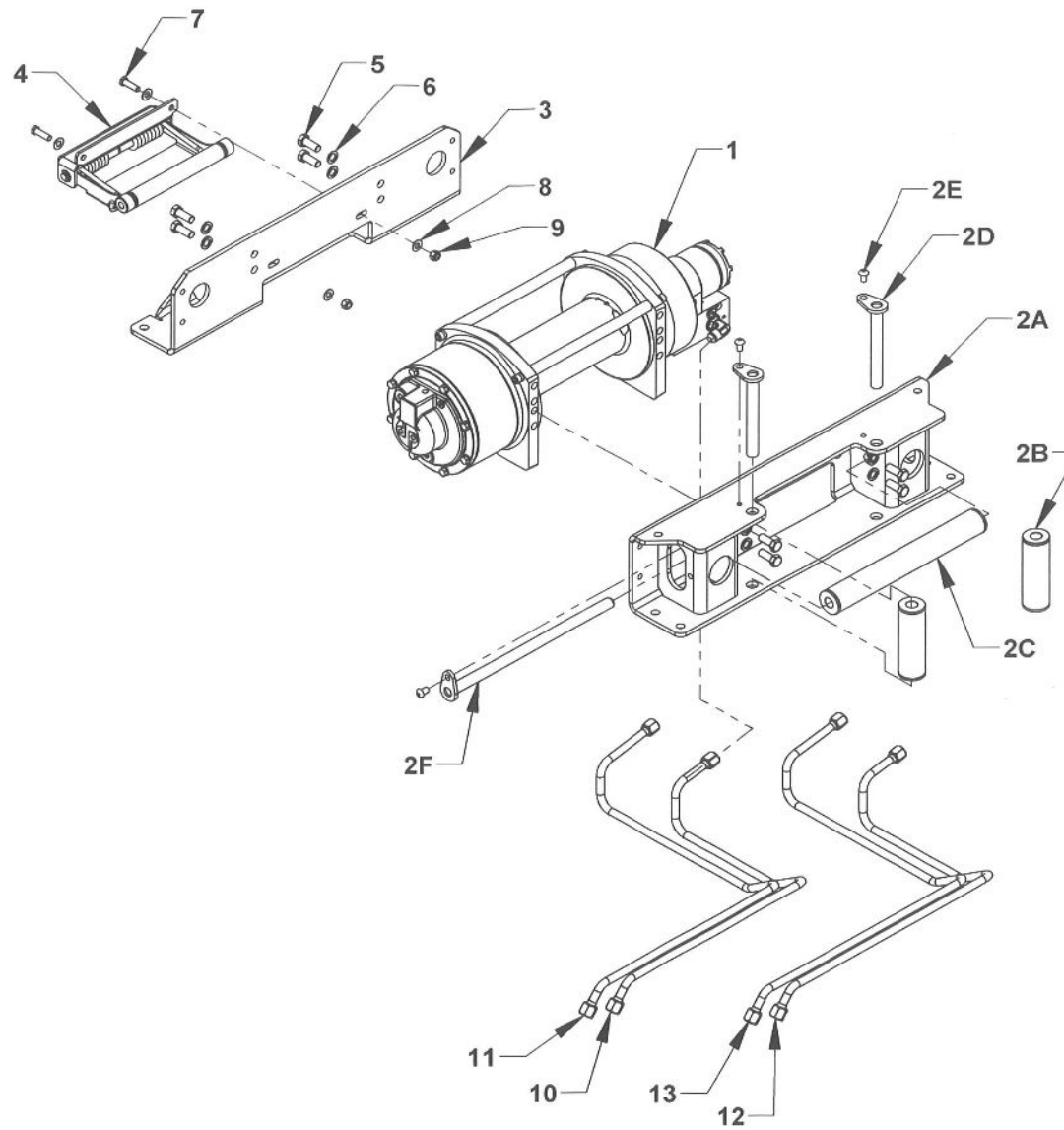
Section V - PARTS

DP WINCH - DP PLANETARY MANUAL SHIFT

REF. NO.	QTY	PART NUMBER	DESCRIPTION
1	1	03015100-0810AM 03015100-1210AM 03015100-1510AM	DP 8K PLANETARY WINCH MANUAL SHIFT DP 12K PLANETARY WINCH MANUAL SHIFT DP 15K PLANETARY WINCH MANUAL SHIFT
2	1	09011914	DP 8K-15K ROLLER GUIDE FRAME ASSEMBLY
2A	1	08010128	DP 8K-15K ROLLER GUIDE FRAME
2B	2	0809640	ROLLER ASSEMBLY 1.75 DIAMETER x 5.625
2C	1	A901520	ROLLER ASSEMBLY 1.75 DIAMETER x 13.500
2D	2	0809641	ROLLER GUIDE KEEPER PIN 6.348
2E	3	0403161	BOLT 3/8-16 UNC x 5/8 BUTTON HEAD
2F	1	A901525	ROLLER GUIDE KEEPER PIN 14.535
3	1	08010129	DP FRONT MOUNTING FRAME
4	1	03015381	DP WINCH TENSIONER
5	8	0400177	BOLT HHCS 1/2-13 UNC x 1-1/4
6	8	0400491	LOCK WASHER 1/2
7	6	0400122	BOLT HHCS 3/8-16 UNC x 1-1/4
8	12	0400480	FLAT WASHER 3/8
9	6	1400392	NYLON LOCK NUT 3/8-16 UNC
10	1	08011569	DP T-HANDLE SUPPORT BRACKET
11	1	08011568	DP T-HANDLE CLUTCH ROD
12	1	0301532	MILLER T-HANDLE
13	1	0400560	ROLL PIN .532 x 1
14	1	0400407	NUT HEX 1/2
15	1	0301588	CLUTCH CONTROL ADJUSTABLE YOKE
16	1	0400537	CLEVIS PIN 1/2 x 1-1/2
17	1	0403040	FLAT WASHER 1/2
18	1	0400540	COTTER PIN 3/32 x 1
19	1	03017221	DP WINCH LEVER
20	1	0500815	WINCH SAFETY DECAL
21	1	0752167-DP08	S10-16 CNV DP FLUID TUBE-SHORT
22	1	0752168-DP08	S10-16 CNV DP FLUID TUBE-LONG
23	1	0751974-DP08	S12-16 LCG DP FLUID TUBE-SHORT
24	1	0751975-DP08	S12-16 LCG DP FLUID TUBE-LONG

NOTE: Items 21 through 24 are not included in 09013369-0810AM.

Section V - PARTS
DP WINCH - DP PLANETARY AIR SHIFT



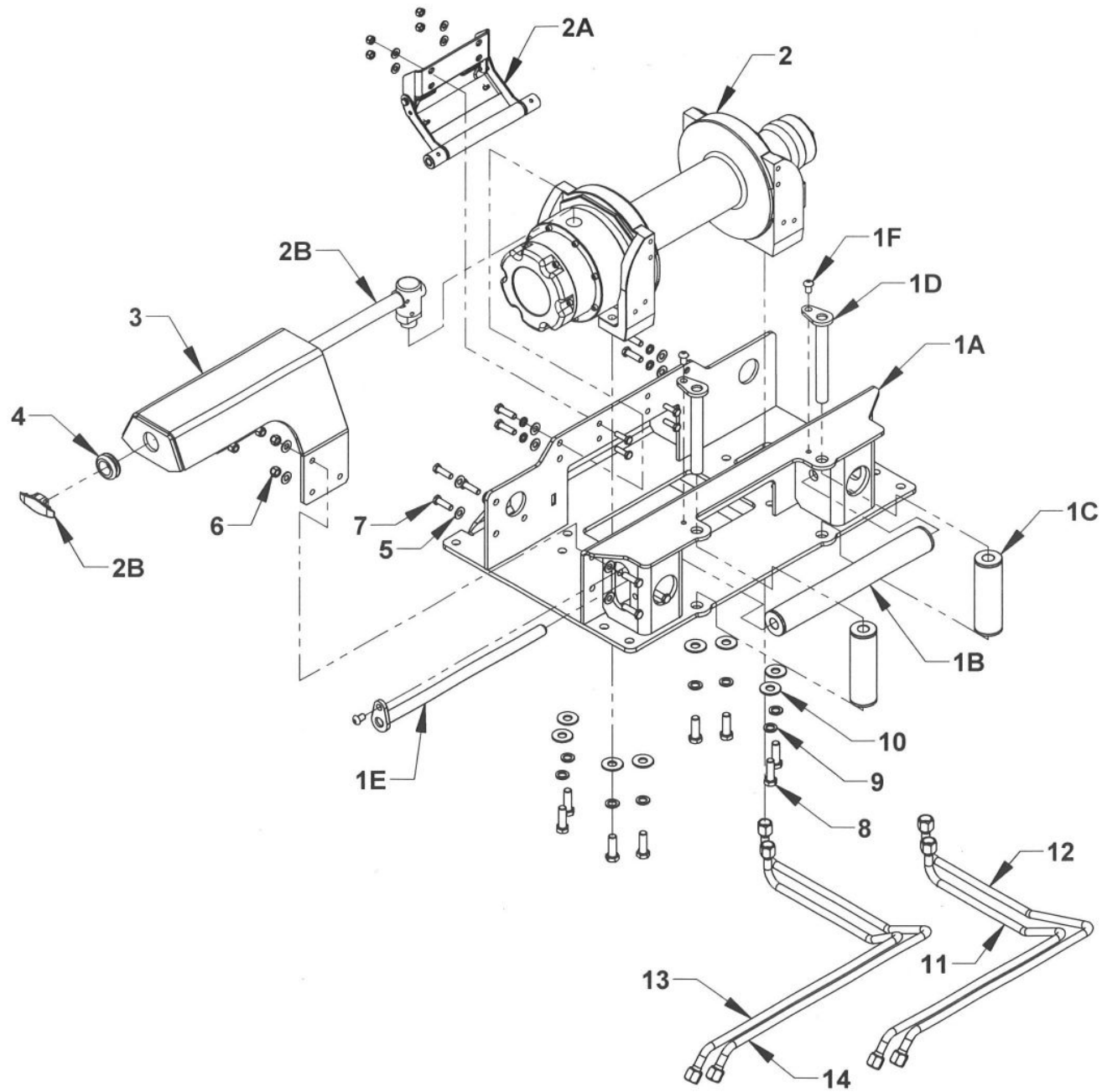
Section V - PARTS

DP WINCH - DP PLANETARY AIR SHIFT

REF. NO.	QTY	PART NUMBER	DESCRIPTION
1	1	03015100-0810AA 03015100-1210AA 03015100-1510AA	DP 8K PLANETARY WINCH AIR SHIFT DP 12K PLANETARY WINCH AIR SHIFT DP 15K PLANETARY WINCH AIR SHIFT
2	1	09011914	DP 8K-15K ROLLER GUIDE FRAME ASSEMBLY
2A	1	08010128	DP 8K-15K ROLLER GUIDE FRAME
2B	2	0809640	ROLLER ASSEMBLY 1.75 DIAMETER x 5.625
2C	1	A901520	ROLLER ASSEMBLY 1.75 DIAMETER x 13.500
2D	2	0809641	ROLLER GUIDE KEEPER PIN 6.348
2E	3	0403161	BOLT 3/8-16 UNC x 5/8 BUTTON HEAD
2F	1	A901525	ROLLER GUIDE KEEPER PIN 14.535
3	1	08010129	DP FRONT MOUNTING FRAME
4	1	03015381	DP WINCH TENSIONER
5	8	0400177	BOLT HHCS 1/2-13 UNC x 1-1/4
6	8	0400491	LOCK WASHER 1/2
7	2	0400122	BOLT HHCS 3/8-16 UNC x 1-1/4
8	4	0400480	FLAT WASHER 3/8
9	2	1400392	NYLON LOCK NUT 3/8-16 UNC
10	1	0752167-DP08	S10-16 CNV DP FLUID TUBE-SHORT
11	1	0752168-DP08	S10-16 CNV DP FLUID TUBE-LONG
12	1	0751974-DP08	S12-16 LCG DP FLUID TUBE-SHORT
13	1	0751975-DP08	S12-16 LCG DP FLUID TUBE-LONG

NOTE: Items 10 through 13 are not included in 09013369-0810AA.

Section V - PARTS
8K COMEUP WINCH - 0940283-0810AM

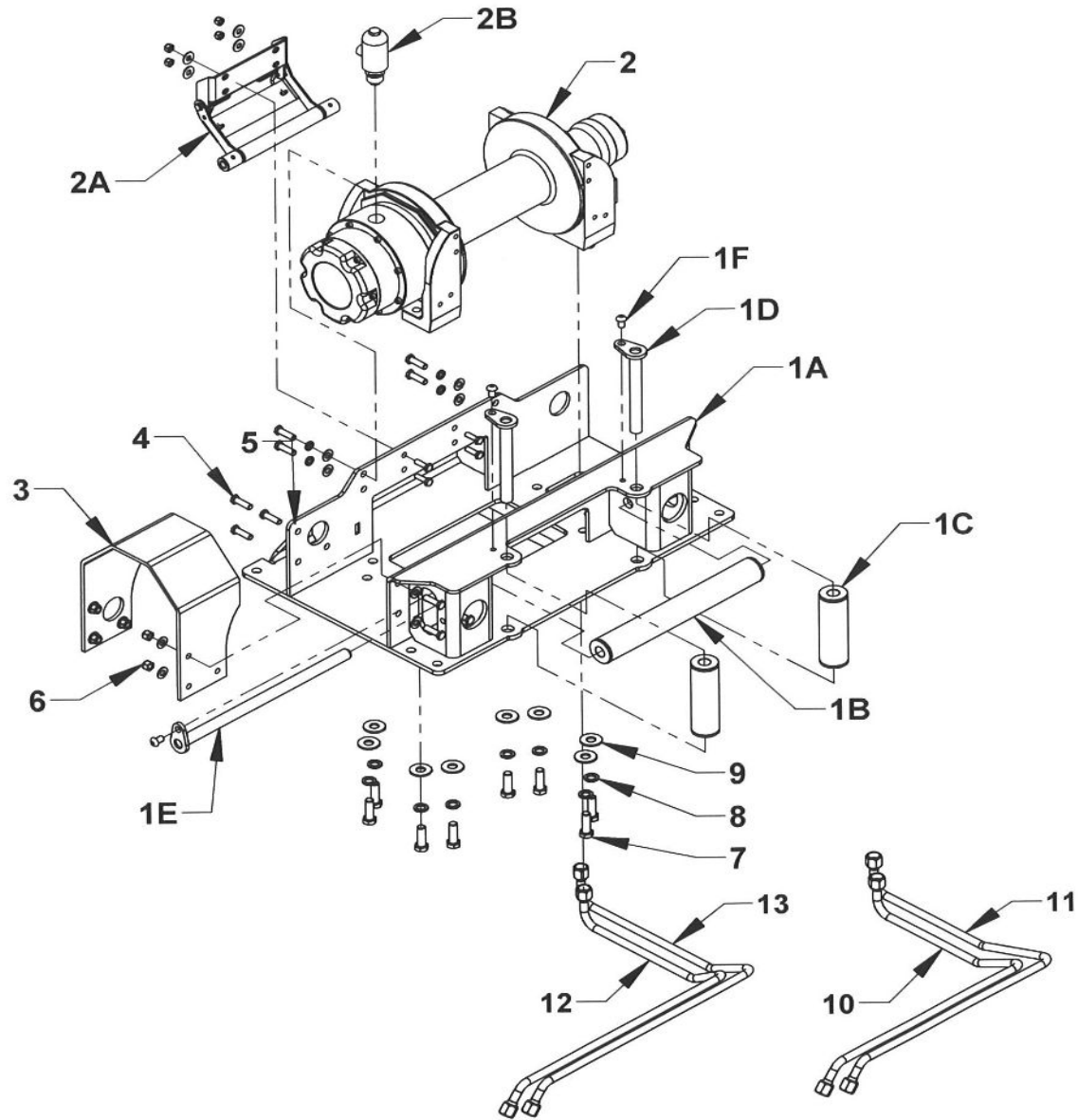


Section V - PARTS

8K COMEUP WINCH - 0940283-0810AM

REF. NO.	NO. REQ'D	PART NUMBER	DESCRIPTION
1	1	0940281	COMEUP 8K-12K WINCH FRAME ASSEMBLY
1A	1	0809713	COMEUP FRAME WELDMENT
1B	1	A901520	ROLLER ASSEMBLY - 1.750 DIAMETER x 13.500
1C	2	0809640	ROLLER ASSEMBLY - 1.750 DIAMETER x 5.625
1D	2	0809641	ROLLER GUIDE KEEPER PIN - 6.348
1E	1	A901525	ROLLER GUIDE KEEPER PIN - 14.535
1F	3	0403161	BOLT, BHCS 3/8-16 UNC x 5/8
2	1	0308986-0810AM	COMEUP 8K WINCH-ROTATION MANUAL SHIFT
		0308986-1210AM	COMEUP 12K WINCH-ROTATION MANUAL SHIFT
		0308986-1510AM	COMEUP 15K WINCH-ROTATION MANUAL SHIFT
2A	1	0320128	COMEUP WINCH TENSIONER
2B	1	0320129	COMEUP T-HANDLE CLUTCH - 16
3	1	08011590	COMEUP T-HANDLE SUPPORT BRACKET
4	1	98718	GROMMET 1.00 ID x 0.25 GROOVE
5	12	0400480	FLAT WASHER 3/8
6	6	0400392	NUT NYLOK 3/8-16 UNC
7	6	0400148	BOLT HHCS 3/8-16 UNC x 1-1/2 GR5
8	8	0400181	BOLT HHCS 1/2-13 UNC x 1-1/2 GR5
9	8	0400491	LOCK WASHER 1/2
10	8	0400492	WASHER 1/2
11	1	0752167-C	S10-16 CNV COMEUP FLUID TUBE-SHORT
12	1	0752168-C	S10-16 CNV COMEUP FLUID TUBE-LONG
13	1	0751974-C	S12-16 LCG COMEUP FLUID TUBE-SHORT
14	1	0751975-C	S12-16 LCG COMEUP FLUID TUBE-LONG

Section V - PARTS
8K COMEUP WINCH - 0940283-0810AA

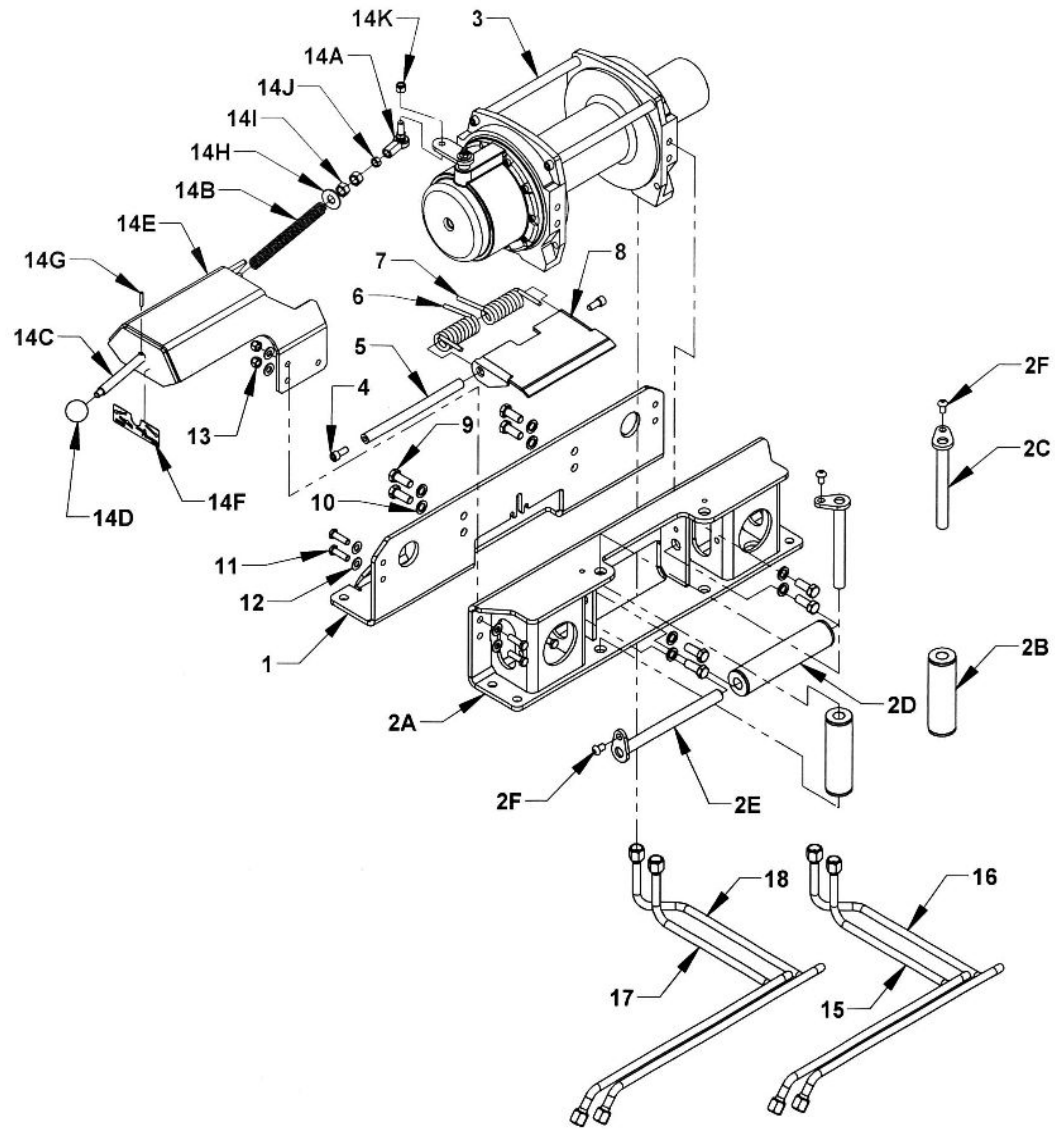


Section V - PARTS

8K COMEUP WINCH - 0940283-0810AA

REF. NO.	NO. REQ'D	PART NUMBER	DESCRIPTION
1	1	0940281	COMEUP 8K-12K WINCH FRAME ASSEMBLY
1A	1	0809713	COMEUP FRAME WELDMENT
1B	1	A901520	ROLLER ASSEMBLY - 1.750 DIAMETER x 13.500
1C	2	0809640	ROLLER ASSEMBLY - 1.750 DIAMETER x 5.625
1D	2	0809641	ROLLER GUIDE KEEPER PIN - 6.348
1E	1	A901525	ROLLER GUIDE KEEPER PIN - 14.535
1F	3	0403161	BOLT, BHCS 3/8-16 UNC x 5/8
2	1	0308986-0810AA	COMEUP 8K WINCH-ROTATION AIR SHIFT
		0308986-1210AA	COMEUP 12K WINCH-ROTATION AIR SHIFT
		0308986-1510AA	COMEUP 15K WINCH-ROTATION AIR SHIFT
2A	1	0320128	COMEUP WINCH TENSIONER
2B	1	0308955	COMEUP FREESPOOL AIR CYLINDER
3	1	0752482	COMEUP AIR CYLINDER GUARD
4	6	0400148	BOLT HHCS 3/8-16 UNC x 1-1/2 GR5
5	12	0400480	FLAT WASHER 3/8
6	6	040392	NUT NYLOK 3/8-16 UNC
7	8	0400181	BOLT HHCS 1/2-13 UNC x 1-1/2 GR5
8	8	0400491	LOCK WASHER 1/2
9	8	0400492	WASHER 1/2
10	1	0752167-C	S10-16 CNV COMEUP FLUID TUBE-SHORT
11	1	0752168-C	S10-16 CNV COMEUP FLUID TUBE-LONG
12	1	0751974-C	S12-16 LCG COMEUP FLUID TUBE-SHORT
13	1	0751975-C	S12-16 LCG COMEUP FLUID TUBE-LONG

Section V - PARTS
WARN WINCH - MANUAL FREE SPOOL

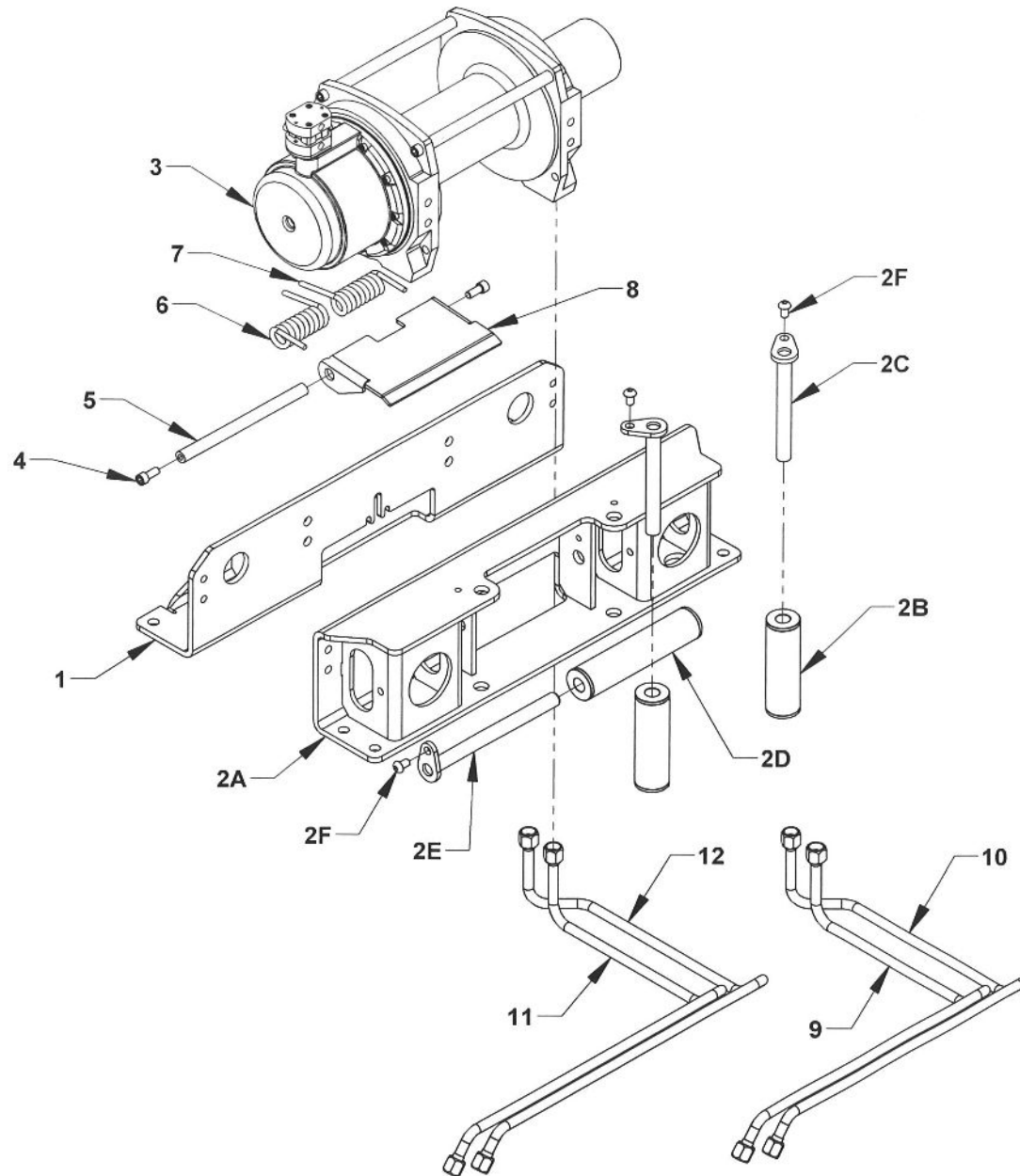


Section V - PARTS

WARN WINCH - MANUAL FREE SPOOL

REF. NO.	NO. REQ'D	PART NUMBER	DESCRIPTION
1	1	0809644	MTG FRAME WELDMENT - FRONT
2	1	0940240	WARN MTG FRAME REAR ASSEMBLY
2A	1	0809639	MTG FRAME WLDMNT - ROLLER GUIDE REAR
2B	2	0809640	ROLLER GUIDE BUSHING 1.75 x 5.625
2C	2	0809641	ROLLER GUIDE KEEPER PIN
2D	1	A9R281	ROLLER GUIDE BUSHING 1.75 x 7.875
2E	1	A902095	ROLLER GUIDE KEEPER PIN
2F	3	0403161	BOLT, BHCS 3/8-16 UNC x 5/8
3	1	0308936-0908AM	WINCH 9K, 8 IN. DRUM MANUAL SHIFT
		0308936-1208AM	WINCH 12K, 8 IN. DRUM MANUAL SHIFT
		0308936-1508AM	WINCH 15K, 8 IN. DRUM MANUAL SHIFT
4	2	0403109	BOLT, SHCS 3/8-16 UNC x 7/8
5	1	0751337	TENSION PLATE PIVOT ROD
6	1	0308935R	TENSION SPRING
7	1	0308935L	TENSION SPRING
8	1	0751268	TENSION PLATE
9	8	0400177	BOLT HHCS 1/2-13 UNC x 1-1/4
10	8	0400491	LOCK WASHER 1/2
11	5	0400122	BOLT HHCS 3/8-16 UNC x 1-1/4
12	10	0400480	FLAT WASHER 3/8
13	5	0400392	NYLON LOCK NUT 3/8-16 UNC
14	1	09013709	CLUTCH CONTROL ASSEMBLY WARN WINCH
14A	1	718732	ROD END BEARING
14B	1	71875	WINCH SPRING
14C	1	71873	WINCH CLUTCH ROD
14D	1	718731	WINCH CLUTCH ROD KNOB
14E	1	08011592	WINCH-MANUAL FREE SPOOL BRACKET
14F	1	05002124	FREE SPOOL DECAL WARN WINCH
14G	1	0405559	SPLIT PIN 3/16 x 1
14H	1	0400492	FLAT WASHER 1/2
14I	2	0400407	HEX NUT 1/2-13 UNC
14J	1	0402122	HEX NUT 3/8-16 UNC
14K	1	0400392	NYLON LOCK NUT 3/8-16 UNC
15	1	0752167-W	S10-16 CNV WARN FLUID TUBE-SHORT
16	1	0752168-W	S10-16 CNV WARN FLUID TUBE-LONG
17	1	0751974-W	S12-16 LCG WARN FLUID TUBE-SHORT
18	1	0751975-W	S12-16 LCG WARN FLUID TUBE-LONG

Section V - PARTS
WARN WINCH - AIR FREE SPOOL



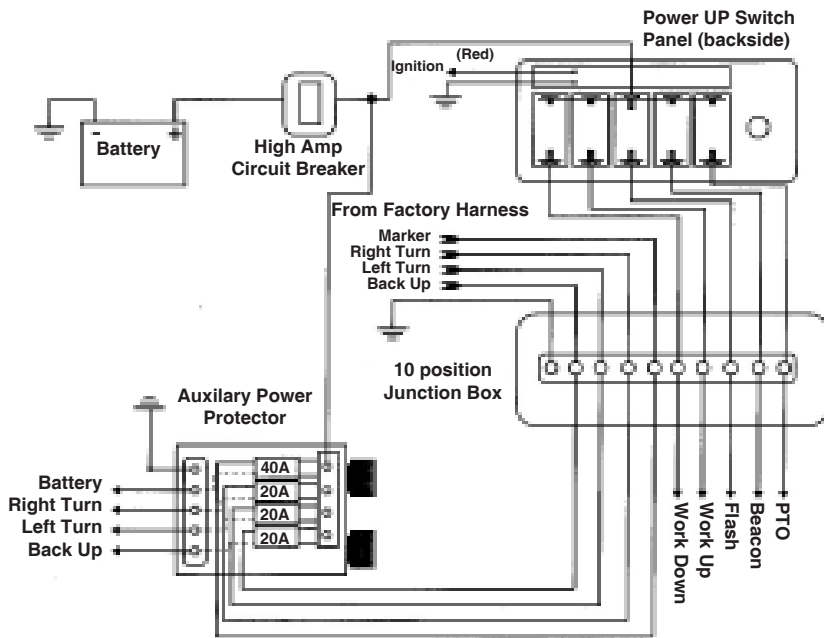
Section V - PARTS

WARN WINCH - AIR FREE SPOOL

REF. NO.	NO. REQ'D	PART NUMBER	DESCRIPTION
1	1	0809644	MTG FRAME WELDMENT - FRONT
2	1	0940240	WARN MTG FRAME REAR ASSEMBLY
2A	1	0809639	MTG FRAME WLDMNT - ROLLER GUIDE REAR
2B	2	0809640	ROLLER GUIDE BUSHING 1.75 x 5.625
2C	2	0809641	ROLLER GUIDE KEEPER PIN
2D	1	A9R281	ROLLER GUIDE BUSHING 1.75 x 7.875
2E	1	A902095	ROLLER GUIDE KEEPER PIN
2F	3	0403161	BOLT, BHCS 3/8-16 UNC x 5/8
3	1	0308936-0908AA	WINCH 9K, 8 IN. DRUM AIR SHIFT
	1	0308936-1208AA	WINCH 12K, 8 IN. DRUM AIR SHIFT
	1	0308936-1508AA	WINCH 15K, 8 IN. DRUM AIR SHIFT
4	2	0403109	BOLT, SHCS 3/8-16 UNC x 7/8
5	1	0751337	TENSION PLATE PIVOT ROD
6	1	0308935R	TENSION SPRING
7	1	0308935L	TENSION SPRING
8	1	0751268	TENSION PLATES
9	1	0752167-W	S10-16 CNV WARN FLUID TUBE-SHORT
10	1	0752168-W	S10-16 CNV WARN FLUID TUBE-LONG
11	1	0751974-W	S12-16 LCG WARN FLUID TUBE-SHORT
12	1	0751975-W	S12-16 LCG WARN FLUID TUBE-LONG

Section V - PARTS

OPTIONAL DASHBOARD PANEL

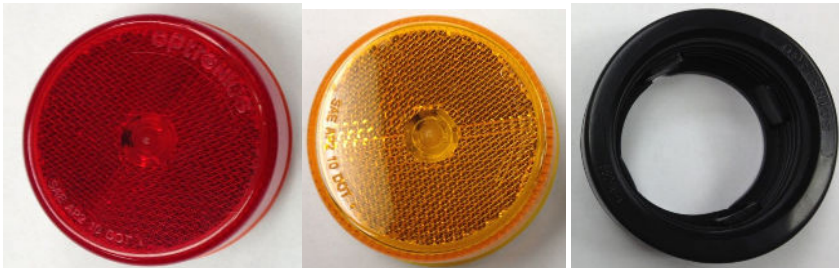


Section V - PARTS

LIGHT KIT



REF. NO.	PART NUMBER	DESCRIPTION
1	0311498	LIGHT 6" OVAL RED LED - STOP/TURN
2	0311500	LIGHT 6" OVAL REVERSE LED
3	3011503	LIGHT 6" GROMMET



REF. NO.	PART NUMBER	DESCRIPTION
1	0311512	LIGHT 2.5" RED REFLEX LED (MCL59RB)
2	0311513	LIGHT 2.5" AMBER REFLEX LED (MCL59AB)
3	0311516	LIGHT 2.5" GROMMET

Section V - PARTS

LIGHT KIT

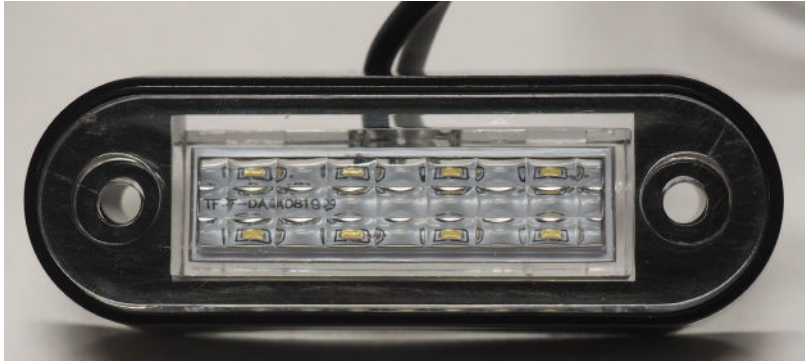


REF. NO.	PART NUMBER	DESCRIPTION
1	0311514	LIGHT 2.5" ROUND CLEAR/RED LED MARKER LIGHT
2	0311515	LIGHT 2.5" ROUND CLEAR/AMBER LED MARKER LIGHT
3	3011516	LIGHT 2.5" GROMMET



REF. NO.	PART NUMBER	DESCRIPTION
1	0320162	6 IN. CONTROL STATION LED LIGHT

Section V - PARTS
LIGHT KIT & PRESSURE GAUGE



REF. NO.	PART NUMBER	DESCRIPTION
1	0320161	3 IN. CONTROL STATION LED LIGHT



REF. NO.	PART NUMBER	DESCRIPTION
1	0320157	2 IN. HYDRAULIC PRESSURE GAUGE

Section V - PARTS

LIGHT KIT



REF. NO.	PART NUMBER	DESCRIPTION
1	0311519	RED 3/4 LED ICC LIGHT



REF. NO.	PART NUMBER	DESCRIPTION
1	0311520	RED 3/4 LED LIGHT

Section V - PARTS

LIGHT KIT



REF. NO.	PART NUMBER	DESCRIPTION
1	0311521	AMBER 3/4 ROUND LED LIGHT



REF. NO.	PART NUMBER	DESCRIPTION
1	0311522	CLEAR/RED 3/4 ROUND LED LIGHT



REF. NO.	PART NUMBER	DESCRIPTION
1	0311523	CLEAR/AMBER 3/4 ROUND LED LIGHT

Section V - PARTS

LIGHT KIT



REF. NO.	PART NUMBER	DESCRIPTION
1	0308359	MARKER LIGHT RED REFLEX LED



REF. NO.	PART NUMBER	DESCRIPTION
1	0308360	MARKER LIGHT AMBER REFLEX LED

Section V - PARTS

LIGHT KIT



REF. NO.	PART NUMBER	DESCRIPTION
1	0312578	MILLENNIUM MARKER LIGHT CLEAR/AMBER



REF. NO.	PART NUMBER	DESCRIPTION
1	0312579	MILLENNIUM MARKER LIGHT CLEAR/RED

Section V - PARTS

LIGHT KIT



REF. NO.	PART NUMBER	DESCRIPTION
1	0308491	REFLECTOR - AMBER



REF. NO.	PART NUMBER	DESCRIPTION
1	0308490	REFLECTOR - RED

Section V - PARTS

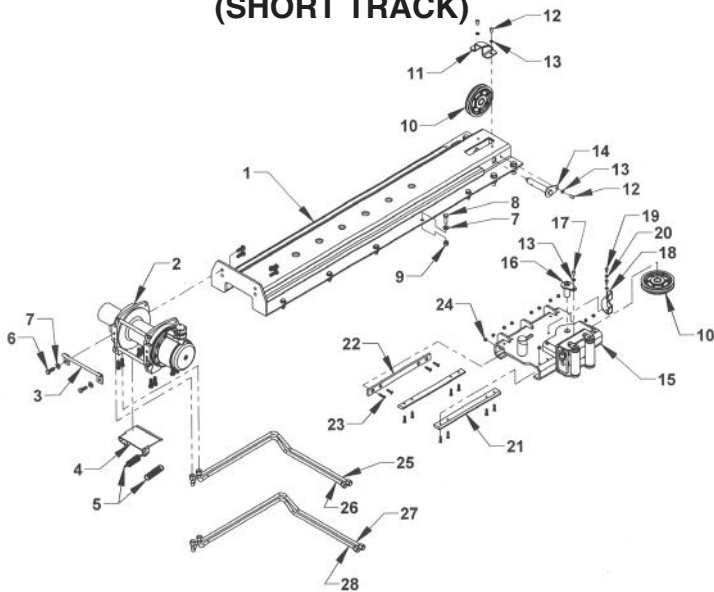
LIGHT KIT



REF. NO.	PART NUMBER	DESCRIPTION
1 1	0311510 0311511	RECTANGULAR REFLEX BACK UP RECTANGULAR REFLEX BACK UP GROMMET

Section V - PARTS

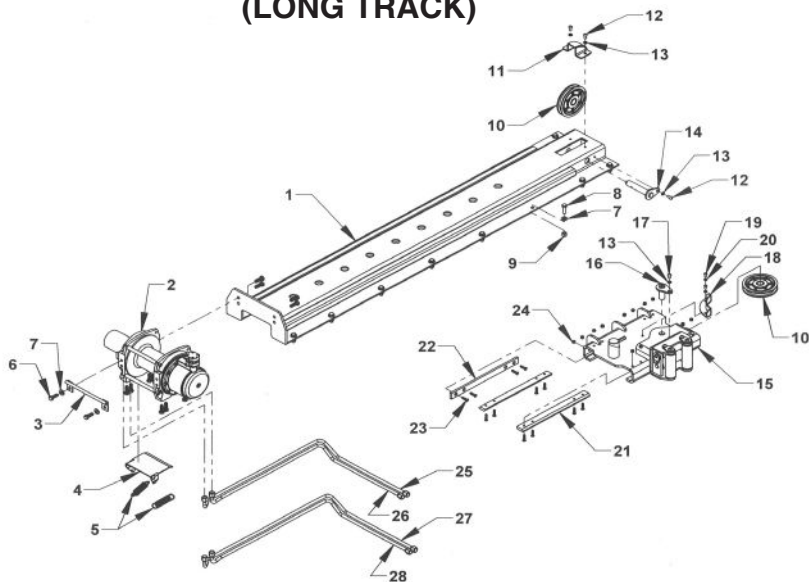
MANUAL SLIDEWINDER - 315200 (SHORT TRACK)



REF	QTY	PART #	DESCRIPTION
1	1	315210	SLIDE TRACK - SHORT
2	1	711096	SERIES 9 WINCH - 6.5 INCH DRUM
3	1	711126	SERIES 12 WINCH - 6.5 INCH DRUM
4	1	7189065	AIR LINE TRANSFER BRACKET
5	1	A90065	CABLE TENSIONER PLATE
6	2	A9018S	TENSION SPRING 40 LB/INCH
7	14	0400733	BOLT M12-1.75 MM x 35 HHC 8.8
8	20	0403040	FLAT WASHER 1/2 SAE
9	14	0400181	BOLT 1/2-13 UNC x 1-1/2 HHC GR5
10	14	0403100	NUT NYLOCK 1/2-13 UNC
11	2	69125	6 x 1 PULLEY
12	1	315225	CABLE GUIDE
13	4	0400878	BOLT 3/8-16 UNJC x 3/4 BHC
14	5	0400482	LOCK WASHER 3/8
15	1	315230	PULLEY PIN
16	1	315310	SLIDE CARRIAGE
17	1	315330	PULLEY PIN
18	1	0403161	BOLT 3/8 -16 UNC x 5/8 BHC
19	1	315325	CABLE GUIDE
20	2	0403158	BOLT 5/16 -18 UNC x 5/8 BHC
21	2	0400464	LOCK WASHER 5/16
22	1	315320	SLIDE PAD
23	2	315323	FRONT SLIDE PAD
24	12	04000321	SCREW 5/16-18 UNC x 1-1/4 FH TORX
25	12	0400382	NUT NYLOCK 5/16-18 UNC
26	1	383SW0944	ST SLIDEWINDER FLUID TUBE-LONG
27	1	383SW0940	ST SLIDEWINDER FLUID TUBE-SHORT
28	1	07005356	G2 SHORT TRACK SLIDEWINDER FLUID TUBE-LONG
28	1	07005355	G2 SHORT TRACK SLIDEWINDER FLUID TUBE-SHORT

Section V - PARTS

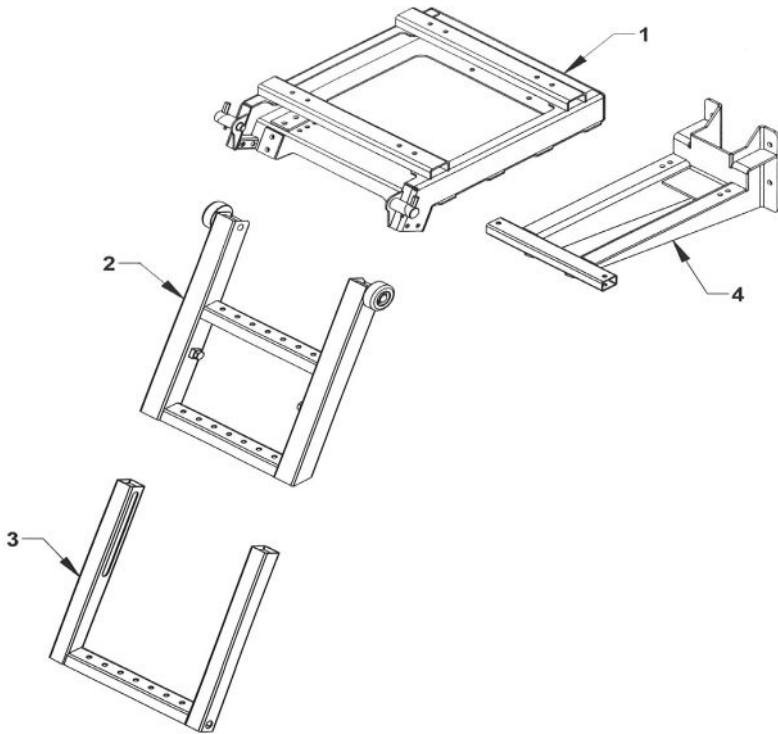
MANUAL SLIDEWINDER - 315204 (LONG TRACK)



REF	QTY	PART #	DESCRIPTION
1	1	315214	SLIDE TRACK - LONG
2	1	711096	SERIES 9 WINCH - 6.5 INCH DRUM
	1	711126	SERIES 12 WINCH - 6.5 INCH DRUM
3	1	7189065	AIR LINE TRANSFER BRACKET
4	1	A90065	CABLE TENSIONER PLATE
5	2	A9018S	TENSION SPRING 40 LB/INCH
6	14	0400733	BOLT M12-1.75 MM x 35 HHC 8.8
7	22	0403040	FLAT WASHER 1/2 SAE
8	16	0400181	BOLT 1/2-13 UNC x 1-1/2 HHC GR5
9	16	0403100	NUT NYLOCK 1/2-13 UNC
10	2	69125	6 x 1 PULLEY
11	1	315225	CABLE GUIDE
12	4	0400878	BOLT 3/8-16 UNC x 3/4 BHC
13	5	0400482	LOCK WASHER 3/8
14	1	315230	PULLEY PIN
15	1	315310	SLIDE CARRIAGE
16	1	315330	PULLEY PIN
17	1	0403161	BOLT 3/8 -16 UNC x 5/8 BHC
18	1	315325	CABLE GUIDE
19	2	0403158	BOLT 5/16 -18 UNC x 5/8 BHC
20	2	0400464	LOCK WASHER 5/16
21	1	315320	SLIDE PAD
22	2	315323	FRONT SLIDE PAD
23	12	04000321	SCREW 5/16-18 UNC x 1-1/4 FH TORX
24	12	0400382	NUT NYLOCK 5/16-18 UNC
25	1	0751932	G2 LONG TRACK LCG FLUID TUBE-LONG
26	1	0751933	G2 LONG TRACK LCG FLUID TUBE--SHORT
27	1	0752598	G2 LONG TRACK CNV FLUID TUBE-LONG
28	1	0752599	G2 LONG TRACK CNV FLUID TUBE-SHORT

Section V - PARTS

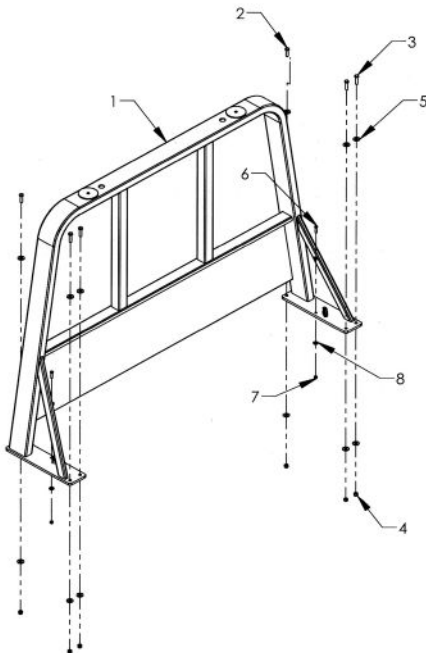
LCG RETRACTABLE LADDER



REF	PART #	DESCRIPTION	QPU
	391000	LADDER ASSEMBLY	1
1	391010	LADDER CARRIAGE	1
2	391020	UPPER RUNG ASSEMBLY	1
3	391030	LOWER RUNG ASSEMBLY	1
4	391050	FRAME MOUNTING BRACKET - OPTIONAL	1

Section V - PARTS

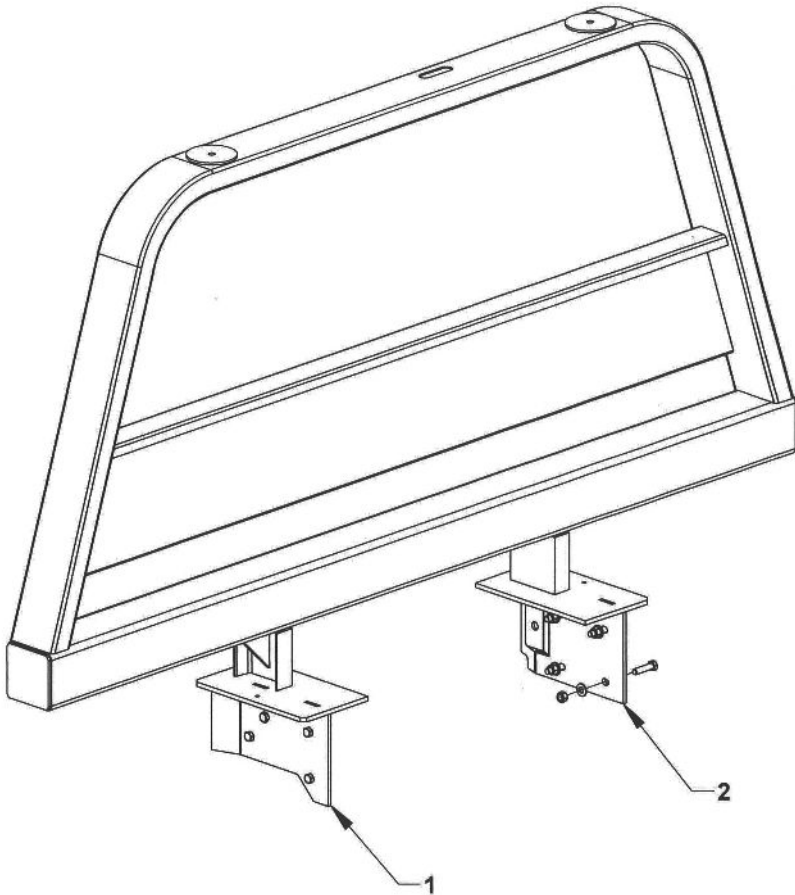
BED MOUNTED CAB PROTECTOR



REF. NO.	NO. REQ'D	PART NUMBER	DESCRIPTION
1	1	0809558-38	2 x 5 PERIMETER TUBE CAB PROTECTOR - 38"
		0809558-42	2 x 5 PERIMETER TUBE CAB PROTECTOR - 42"
		0809558-45	2 x 5 PERIMETER TUBE CAB PROTECTOR - 45"
		0809558-48	2 x 5 PERIMETER TUBE CAB PROTECTOR - 48"
		0809558-50	2 x 5 PERIMETER TUBE CAB PROTECTOR - 50"
		0809558-52	2 x 5 PERIMETER TUBE CAB PROTECTOR - 52"
		0809558-54	2 x 5 PERIMETER TUBE CAB PROTECTOR - 54"
		0809558-57	2 x 5 PERIMETER TUBE CAB PROTECTOR - 57"
		0809558-60	2 x 5 PERIMETER TUBE CAB PROTECTOR - 60"
0809558-64	2 x 5 PERIMETER TUBE CAB PROTECTOR - 64"		
2	2	0400211	1/2 -13 x 1-3/4 HHCS GR 5 Z
3	4	0400188	1/2 -13 x 2 HHCS
4	6	0400408	1/2 -13 NYLON LOCK NUT ZINC
5	12	0400492	1/2 USS FLAT WASHER ZINC
6	2	0400132	3/8 -16 x 1-1/2 HHCS GR 5 Z
7	2	0400392	3/8 -16 NYLON LOCK NUT ZINC
8	4	0400480	3/8 - USS FLAT WASHER ZINC

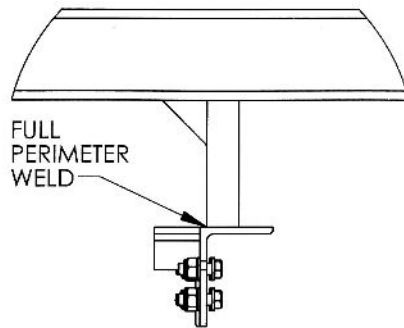
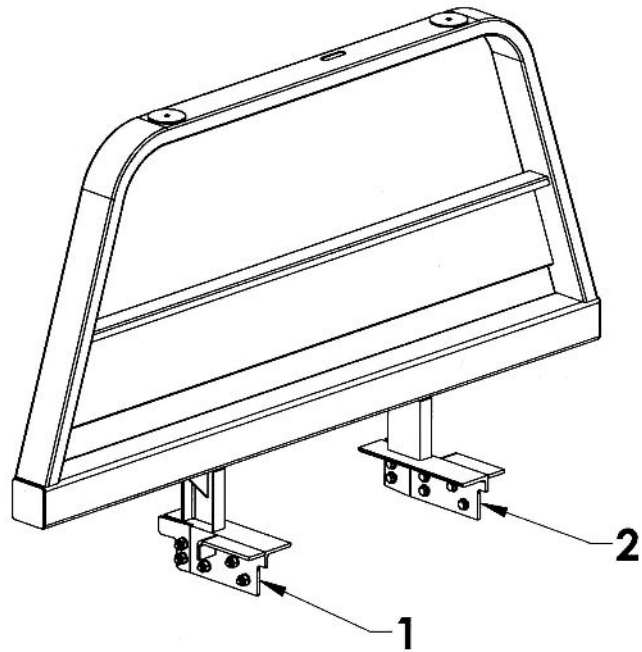
Section V-PARTS

FORD F550/F600 FRAME MOUNTED PYLON BRACKETS



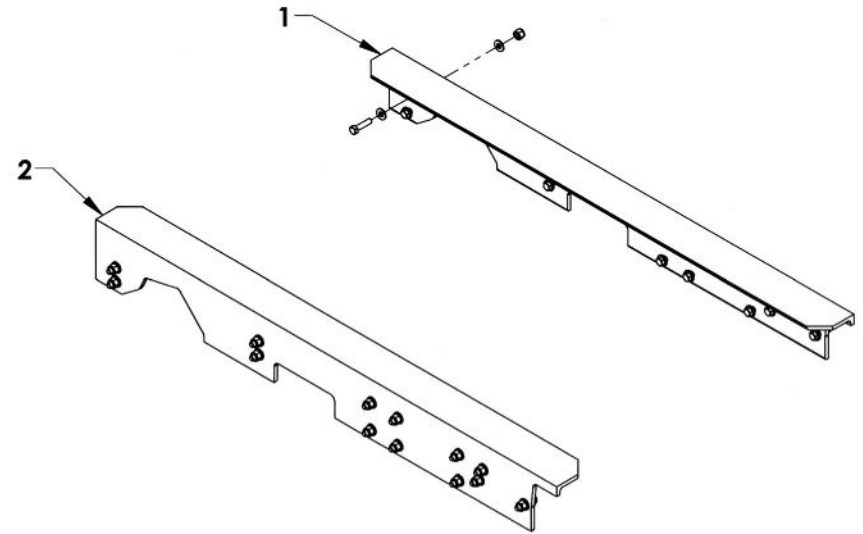
REF	QTY	PART#	DESCRIPTION
1	1	08003094L	FORD F550 FMP MOUNT - LH
	1	08015992L	FORD F600 FMP MOUNT - LH
2	1	08003094L	FORD F550 FMP MOUNT - RH
	1	08015992L	FORD F600 FMP MOUNT - RH
-		09003769	BOLT KIT, F550 PRE-INSTALLATION

Section V-PARTS
2013 DODGE 5500 FRAME MOUNTED
PYLON BRACKETS



REF	PART #	DESCRIPTION	QPU
1	0811135L	DODGE FMP/BED LOCK MOUNTING ANGLE - LH	1
2	0811135R	DODGE FMP/BED LOCK MOUNTING ANGLE - RH	1
-	0940177	BOLT KIT, 2013 DODGE FMP MOUNTING ANGLE	1

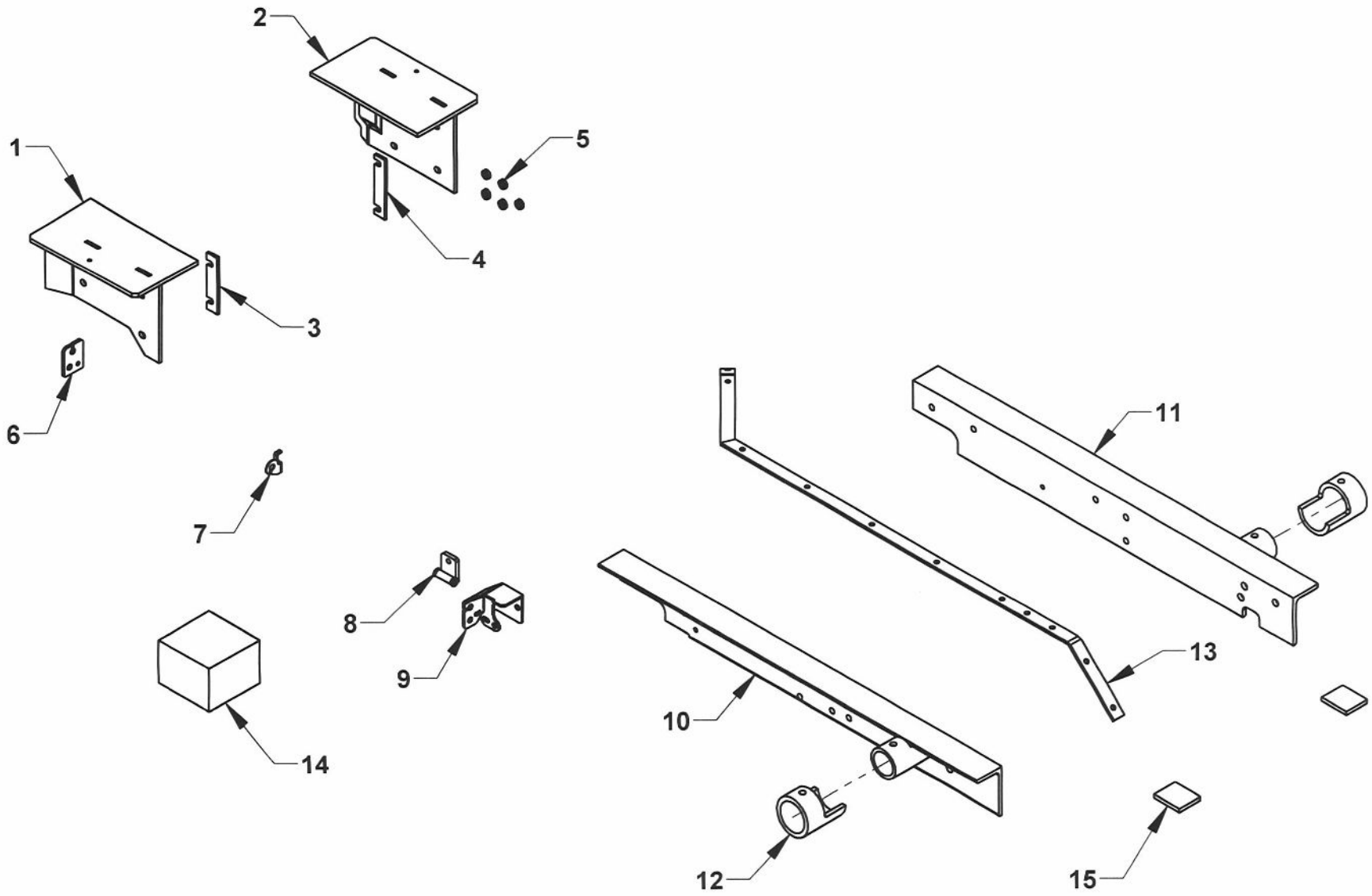
Section V - PARTS
2015 DODGE FRAME REINFORCEMENTS



REF	PART #	DESCRIPTION	QPU
1	0751990L	2015 DODGE FRAME REINFORCEMENT - LH	1
2	0751990R	2015 DODGE FRAME REINFORCEMENT - RH	1
-	0940178	BOLT KIT, 2011 DODGE FRAME REINFORCEMENT	1

Section V - PARTS

2017 FORD F550 FRAME REINFORCEMENTS
PRE-INSTALLATION KIT - 09003731



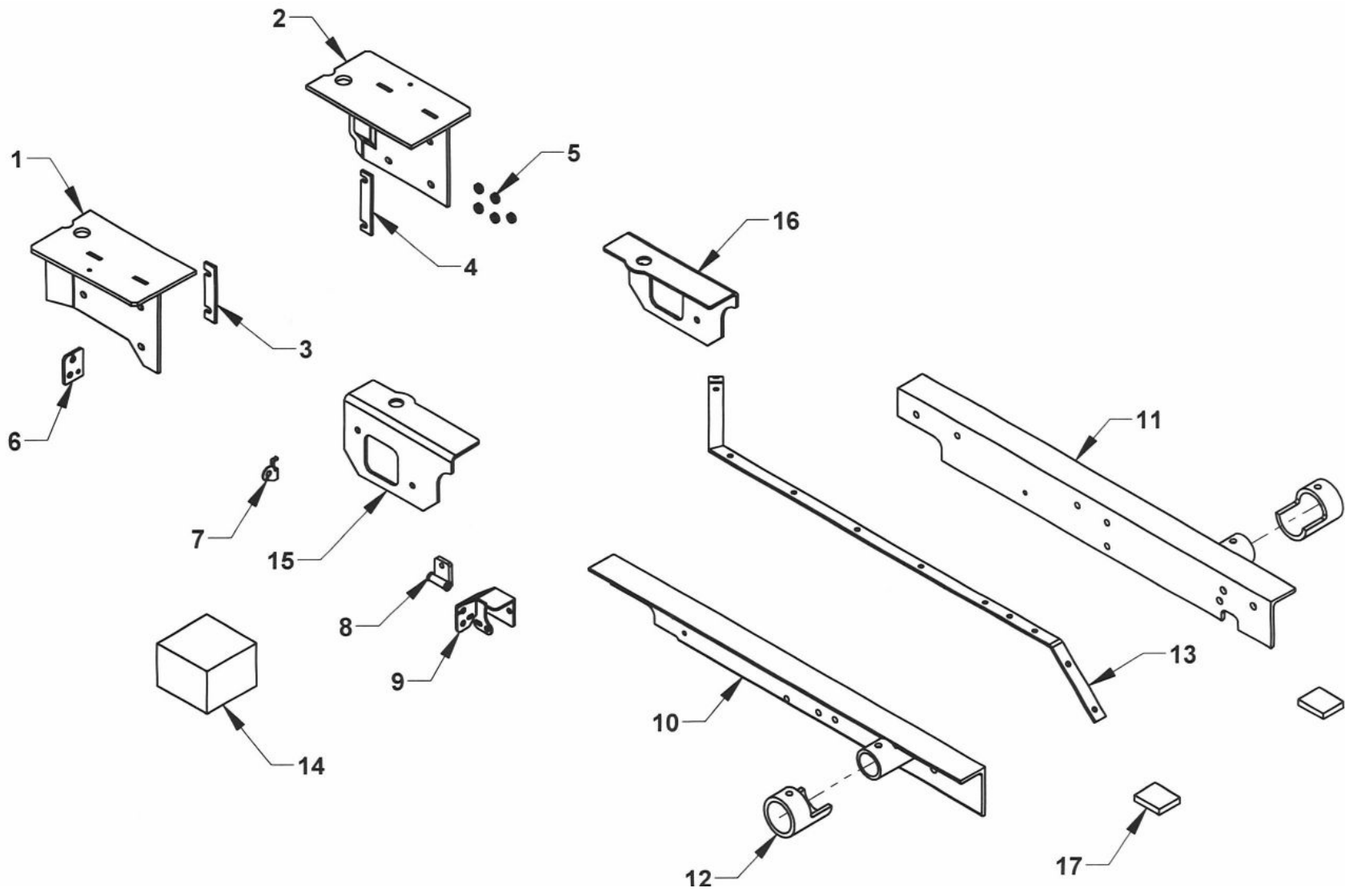
Section V - PARTS

2017 FORD F550 FRAME REINFORCEMENTS PRE-INSTALLATION KIT - 09003731

REF	QTY	PART #	DESCRIPTION
1	1	08003094L	2017 F550 FMP BED LOCK MOUNT - LH
2	1	08003094R	2017 F550 FMP BED LOCK MOUNT - RH
3	1	07024925	2017 F550 INSIDE FRAME SLOTTED PLATE - LH
4	1	07005230	2017 F550 INSIDE FRAME SLOTTED PLATE - RH
5	5	07005130	DEF TANK SPACER WASHER - F550
6	1	07005357	2017 F550 FRONT E-BRAKE CABLE BRACKET
7	1	07005129	2017 F550 E-BRAKE CABLE BRACKET
8	1	0811153	EMERGENCY BRAKE CABLE GUIDE
9	1	08003249	2017 F550 REAR E-BRAKE CABLE BRACKET
10	1	08003287L	2017 F550 FRAME REINFORCEMENT ANGLE - LH
11	1	08003287R	2017 F550 FRAME REINFORCEMENT ANGLE - RH
12	2	0720391N	HELPER SPRING BUSHING - OUTER
13	1	08003307	2017 F550 PRESSURE HOSE SUPPORT BAR
14	1	09003769	BOLT KIT 2017 FORD FRAME REINFORCEMENT
15	2	0752556	FOR F550 HINGE ANGLE SPACER 3 x 2-1/2 x 3/8

Section V - PARTS

2021 FORD F600 FRAME REINFORCEMENTS
PRE-INSTALLATION KIT - 09018451



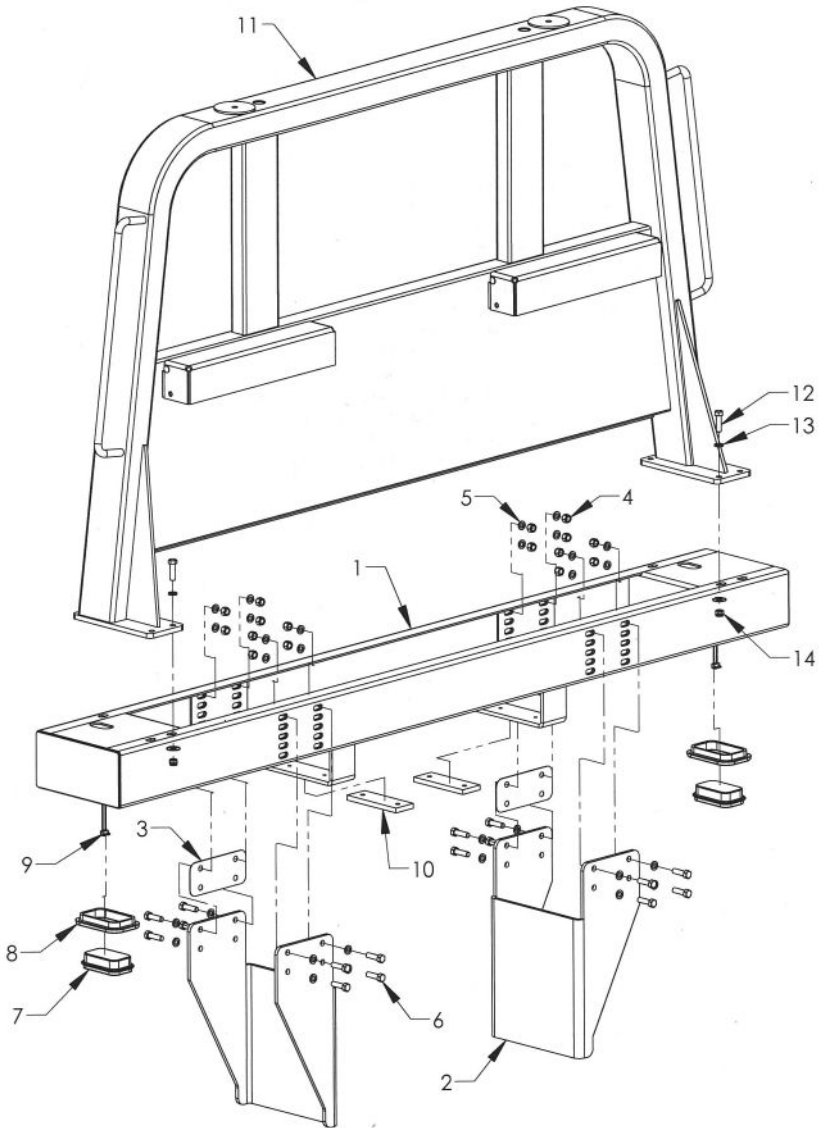
Section V - PARTS

2021 FORD F600 FRAME REINFORCEMENTS PRE-INSTALLATION KIT - 09018451

REF	QTY	PART #	DESCRIPTION
1	1	08015992L	2021 F600 FMP BED LOCK MOUNT - LEFT
2	1	08015992R	2021 F600 FMP BED LOCK MOUNT - RIGHT
3	1	07024925	2017 F550 INSIDE FRAME SLOTTED PLATE - LEFT
4	1	07005230	2017 F550 INSIDE FRAME SLOTTED PLATE - RIGHT
5	5	07005130	DEF TANK SPACER WASHER - F550
6	1	07005357	2017 F550 FRONT E-BRAKE CABLE BRACKET
7	1	07005129	2017 F550 E-BRAKE CABLE BRACKET
8	1	08111153	EMERGENCY BRAKE CABLE GUIDE
9	1	08003249	2017 F550 REAR E-BRAKE CABLE BRACKET
10	1	08003287L	2017 F550 FRAME REINFORCEMENT ANGLE - LEFT
11	1	08003287R	2017 F550 FRAME REINFORCEMENT ANGLE - RIGHT
12	2	0720391N	HELPER SPRING BUSHING - OUTER
13	1	08003307	2017 F550 PRESSURE HOSE SUPPORT BAR
14	1	09003769	BOLT KIT 2017 FORD FRAME REINFORCEMENT
15	1	07024842L	2021 F600 TRUNNION SHIM - LEFT
16	1	07024842R	2021 F600 TRUNNION SHIM - RIGHT
17	2	07024844	FORD F600 HINGLE ANGLE SPACER 3 x 2-1/2 x 5/8

Section V-PARTS

**FRAME MOUNTED PYLON - 0940456-096
CONVENTIONAL BASE ASSEMBLY**



GRAB HANDLES AND CHAIN HANGERS ARE OPTIONAL PYLON EQUIPMENT

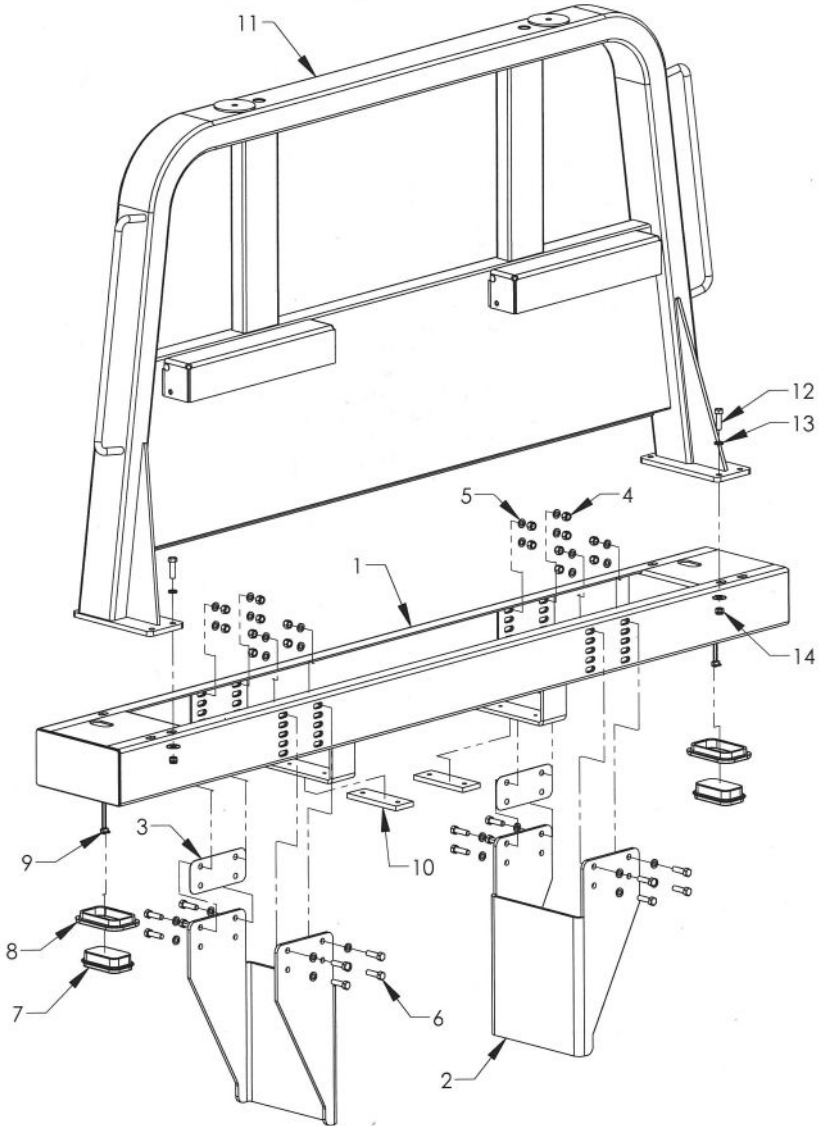
Section V - PARTS

FRAME MOUNTED PYLON - 0940456-096

REF. NO.	NO. REQ'D	PART NUMBER	DESCRIPTION
1	1	0811196-096	FMP CONVENTIONAL CHAIN TRAY BASE - 096
2	2	0752750	PYLON MTG BRACKET, FMP CONV
3	2	0752730	SHIM, 16 GAGE, FMP BASE
4	16	0400408	NYLON LOCK NUT 1/2-13 UNC
5	32	0403040	FLAT WASHER 1/2 SAE ZP
6	16	0403058	BOLT HHCS 1/2-13 x 1-3/4 GR8 PLAIN
7	2	0311511	CARRIER TAIL LIGHT GROMMET - OPTIONAL
8	2	0311509	LIGHT RECT REVERSE LED - OPTIONAL
9	2	0311506	LIGHT PIGTAIL 2 PRONG 18 IN. LEAD
10	2	354614-050	FMP 1/2 IN. SPACER SERIES 16 CONV
		354614-100	FMP 1 IN. SPACER SERIES 20 CONV
		354614-200	FMP 2 IN. SPACER SERIES 20 CONV WOOD
		354614-175	FMP 1-3/4 IN. SPACER SERIES 30 CONV
		354614-100/175	FMP 2-3/4 IN. SPACER SERIES 30 CONV WOOD
11	1	0811185-48	FMP 12 PYLON-48
		0811185-50	FMP 12 PYLON-50
		0811185-52	FMP 12 PYLON-52
		0811185-56	FMP 12 PYLON-56
		0811185-60	FMP 12 PYLON-60
		0811185-63	FMP 12 PYLON-63
		0811185-68	FMP 12 PYLON-68
12	6	0403058	BOLT HHCS 1/2-13 x 1-3/4 GR8 PLAIN
13	12	0403040	FLAT WASHER 1/2 SAE ZP
14	6	0400408	NYLON LOCK NUT 1/2-13 UNC

Section V-PARTS

FRAME MOUNTED PYLON - 0940456-102 CONVENTIONAL BASE ASSEMBLY



GRAB HANDLES AND CHAIN HANGERS ARE OPTIONAL PYLON EQUIPMENT

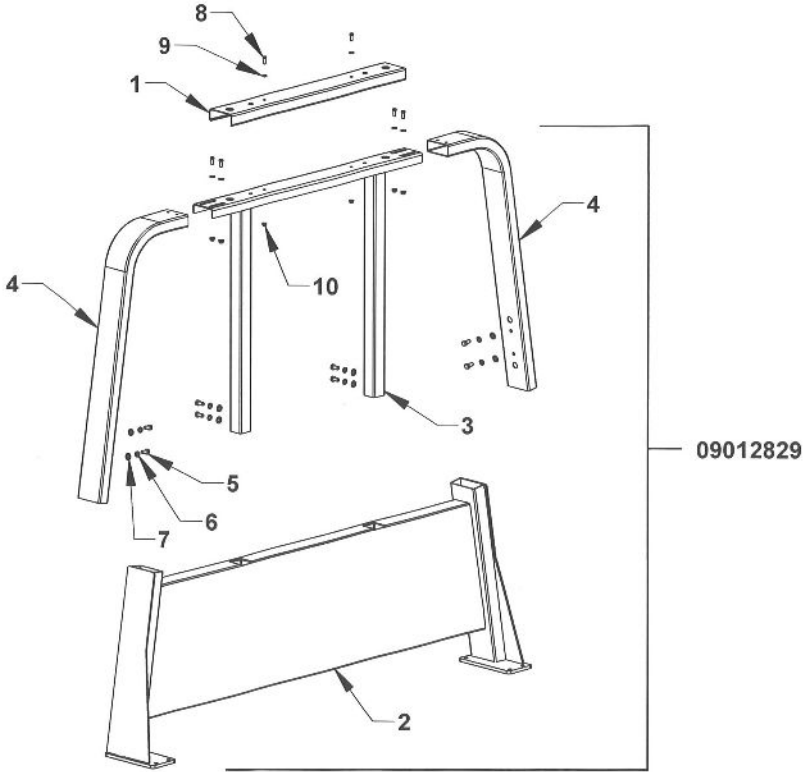
Section V - PARTS

FRAME MOUNTED PYLON - 0940456-102

REF. NO.	NO. REQ'D	PART NUMBER	DESCRIPTION
1	1	0811196-102	FMP CONVENTIONAL CHAIN TRAY BASE - 102
2	2	0752750	PYLON MTG BRACKET, FMP CONV
3	2	0752730	SHIM, 16 GAGE, FMP BASE
4	16	0400408	NYLON LOCK NUT 1/2-13 UNC
5	32	0403040	FLAT WASHER 1/2 SAE ZP
6	16	0403058	BOLT HHCS 1/2-13 x 1-3/4 GR8 PLAIN
7	2	0311511	CARRIER TAIL LIGHT GROMMET - OPTIONAL
8	2	0311509	LIGHT RECT REVERSE LED - OPTIONAL
9	2	0311506	LIGHT PIGTAIL 2 PRONG 18 IN. LEAD
10	2	354614-050	FMP 1/2 IN. SPACER SERIES 16 CONV
		354614-100	FMP 1 IN. SPACER SERIES 20 CONV
		354614-200	FMP 2 IN. SPACER SERIES 20 CONV WOOD
		354614-175	FMP 1-3/4 IN. SPACER SERIES 30 CONV
		354614-100/175	FMP 2-3/4 IN. SPACER SERIES 30 CONV WOOD
11	1	0811185-48	FMP 12 PYLON-48
		0811185-50	FMP 12 PYLON-50
		0811185-52	FMP 12 PYLON-52
		0811185-56	FMP 12 PYLON-56
		0811185-60	FMP 12 PYLON-60
		0811185-63	FMP 12 PYLON-63
		0811185-68	FMP 12 PYLON-68
12	6	0403058	BOLT HHCS 1/2-13 x 1-3/4 GR8 PLAIN
13	12	0403040	FLAT WASHER 1/2 SAE ZP
14	6	0400408	NYLON LOCK NUT 1/2-13 UNC

Section V-PARTS

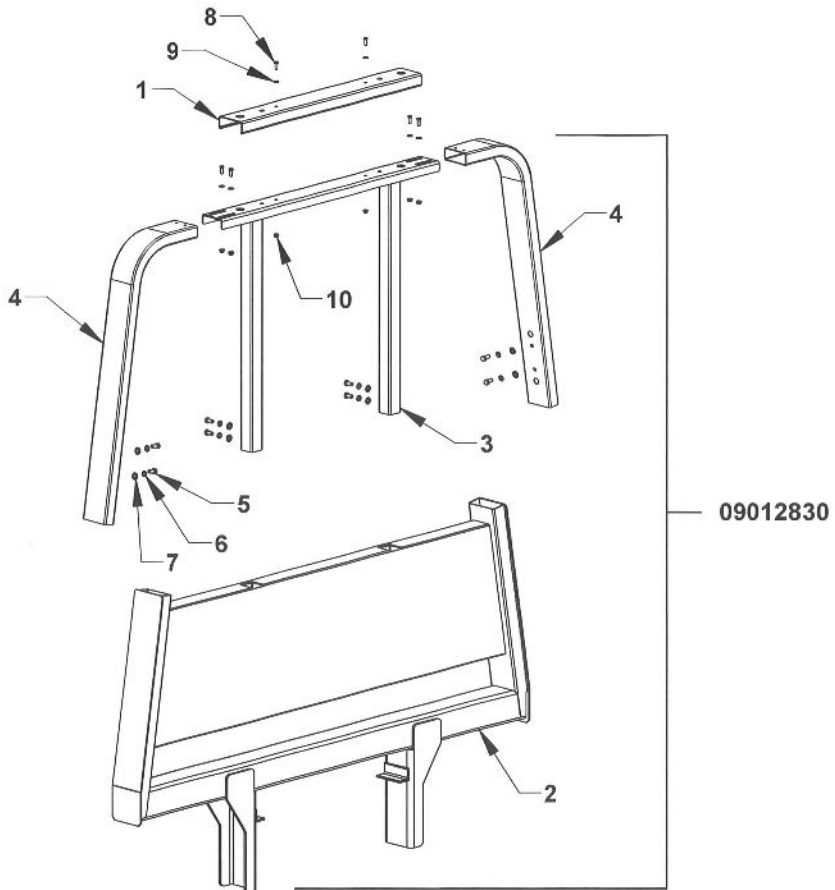
ADJUSTABLE CAB PROTECTOR 09012829-XX (FRAME MOUNTED 12-INCH BASE)



REF. NO.	NO. REQ'D	PART NUMBER	DESCRIPTION
1	1	07011335-46	CAB PROTECTOR TRIM CHANNEL
2	1	08011110	ADJUSTABLE CAB PROTECTOR BASE FMP 12"
3	1	08007570	CAB PROTECTOR CENTER SUPPORT
4	2	08007571	ADJUSTABLE SIDE TUBE
5	8	0400176	BOLT HHCS 1/2-13 UNC x 1 GR5
6	8	0400491	LOCK WASHER 1/2 ZP
7	8	0403128	FLAT WASHER 1/2 ZP
8	6	0400126	BOLT HHCS 3/8-16 UNC x 1 GR5
9	6	0400480	FLAT WASHER 3/8 ZP
10	6	04002907	NUT, FLANGED NYLOK 3/8-16 UNC ZP

Section V-PARTS

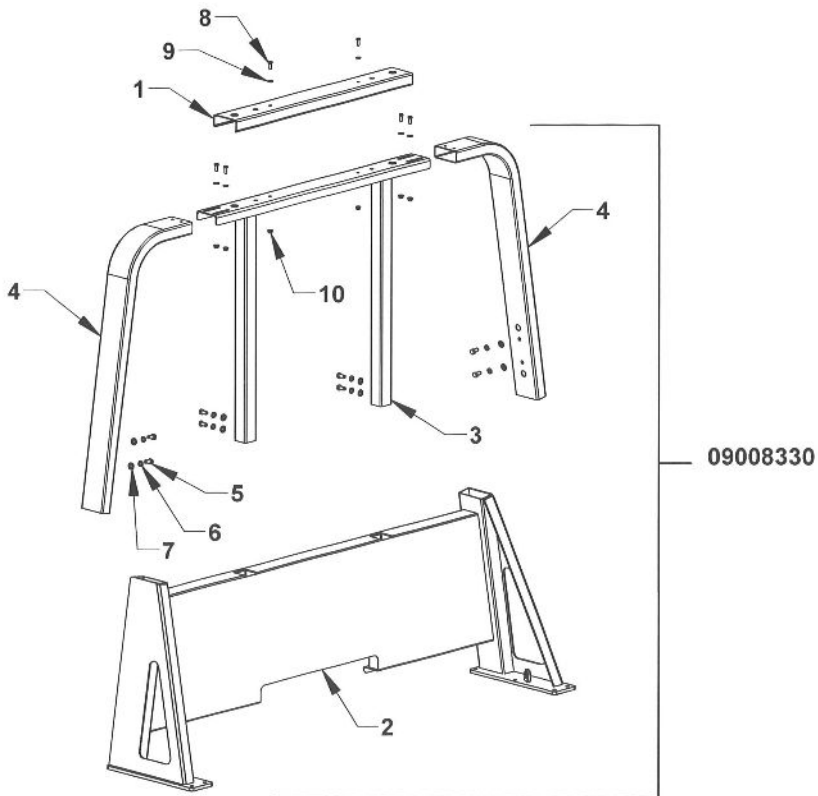
ADJUSTABLE CAB PROTECTOR 09012828-XX (FRAME MOUNTED 5-INCH BASE)



REF. NO.	NO. REQ'D	PART NUMBER	DESCRIPTION
1	1	07011335-46	CAB PROTECTOR TRIM CHANNEL
2	1	08011112	ADJUSTABLE CAB PROTECTOR BASE FMP 5" CNV
3	1	08007570	CAB PROTECTOR CENTER SUPPORT
4	2	08007571	ADJUSTABLE SIDE TUBE
5	8	0400176	BOLT HHCS 1/2-13 UNC x 1 GR5
6	8	0400491	LOCK WASHER 1/2 ZP
7	8	0403128	FLAT WASHER 1/2 ZP
8	6	0400126	BOLT HHCS 3/8-16 UNC x 1 GR5
9	6	0400480	FLAT WASHER 3/8 ZP
10	6	04002907	NUT, FLANGED NYLOK 3/8-16 UNC ZP

Section V-PARTS

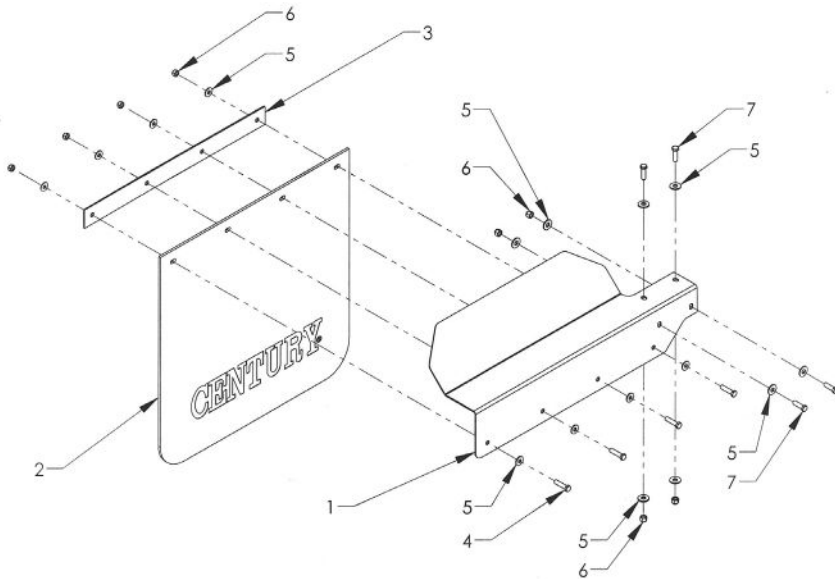
ADJUSTABLE CAB PROTECTOR 09008330-XX (BED MOUNTED)



REF. NO.	NO. REQ'D	PART NUMBER	DESCRIPTION
1	1	07011335-46	CAB PROTECTOR TRIM CHANNEL
2	1	08017569	ADJUSTABLE CAB PROTECTOR BASE
3	1	08007570	CAB PROTECTOR CENTER SUPPORT
4	2	08007571	ADJUSTABLE SIDE TUBE
5	8	0400176	BOLT HHCS 1/2-13 UNC x 1 GR5
6	8	0400491	LOCK WASHER 1/2 ZP
7	8	0403128	FLAT WASHER 1/2 ZP
8	6	0400126	BOLT HHCS 3/8-16 UNC x 1 GR5
9	6	0400480	FLAT WASHER 3/8 ZP
10	6	04002907	NUT, FLANGED NYLOK 3/8-16 UNC ZP

Section V - PARTS

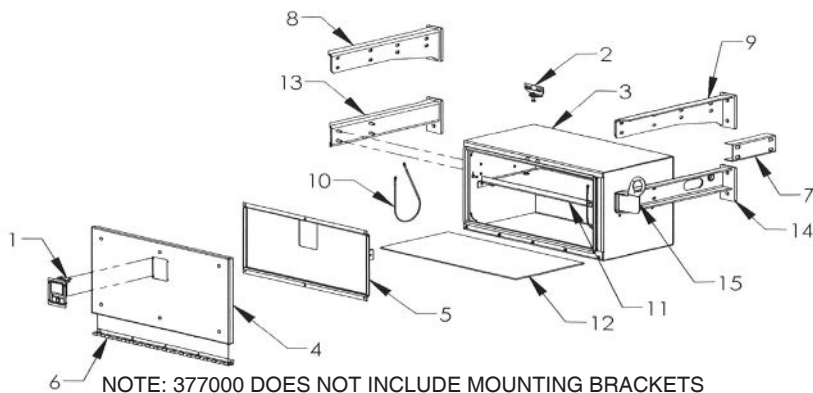
MUDFLAP COMPONENTS



REF	PART #	DESCRIPTION	QPU
1	0751024L	MUDFLAP MOUNTING BRACKET (LH)	1
	0751024R	MUDFLAP MOUNTING BRACKET (RH)	1
2	0308419	MUDFLAP 24 x 24	1
3	0750340	MUDFLAP SUPPORT BAR	1
4	0400132	BOLT HHCS 3/8-16 UNC x 1-1/2	4
5	0400480	3/8 FLAT WASHER	16
6	0400392	3/8-16 NYLON LOCK NUT	8
7	0400122	BOLT HHCS 3/8-16 UNC x 1-1/4	4

Section V - PARTS

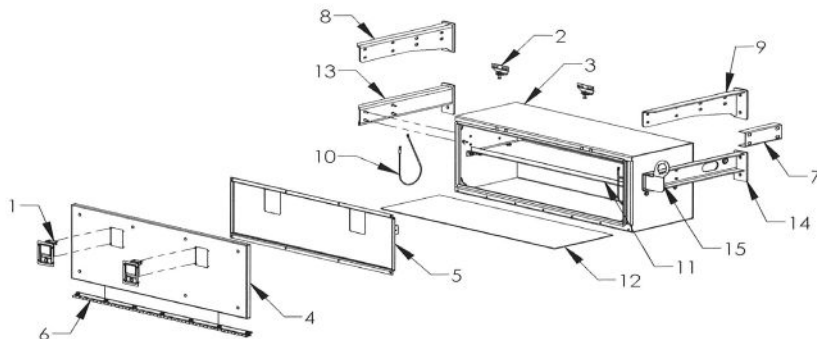
33" ALUMINUM SERIES 10 TOOLBOX - 377000 TOOLBOX/FUEL FILL MOUNTING BRACKETS



REF	QTY	PART #	DESCRIPTION
1	1	54658	ROTARY PADDLE LATCH
	1	54657	GASKET FOR PADDLE LATCH
	4	81111	#8-32 x 1/2 STAINLESS ONE WAY SCREW
	4	83111	#8-32 STAINLESS KEPT NUT
2	1	376182	STRIKER PIN MOUNTING PLATE
	1	54659	STRIKER PIN
	2	81115	STAINLESS CARRIAGE BOLT 5/16-18 x 3/4
	4	82110	FLAT WASHER 5/16
	2	82130	LOCK WASHER 5/16
	2	83110	NUT 5/16-18
	1	83125	NYLON LOCK NUT 5/16-18
3	1	377100W	BOX WELDMENT
4	1	37740	DOOR ASSEMBLY
	1	37741	DOOR WELDMENT
	6	81100	STAINLESS CARRIAGE BOLT 1/4-20 x 3/4
	6	83105	NYLON LOCK NUT 1/4-20
5	1	37744	DOOR REINFORCEMENT
6	1	37735	HINGE
	2	811014	SS SOCKET BUTTON HEAD BOLT 1/4-20 x 7/8
	3	811012	SS SOCKET BUTTON HEAD BOLT 1/4-20 x 3/4
	5	811010	SS SOCKET BUTTON HEAD BOLT 1/4-20 x 5/8
	10	83105	NYLON LOCK NUT 1/4-20
7	1	37760	TANDEM BOX SPACER CHANNEL (OPTIONAL)
8	1	37855L	TANK AND TOOLBOX MT BRACKET - LH
9	1	37855R	TANK AND TOOLBOX MT BRACKET - RH
10	2	5A221	LANYARD-21 INCH
11	1	37770	SHELF
12	1	03002300	TOOLBOX MAT 33"
13	1	0811136L	FORD/DODGE TOOLBOX MTG BRKT - LH
14	1	0811136R	FORD/DODGE TOOLBOX MTG BRKT - RH
15	1	0752566	DODGE FUEL FILLER MTG PLATE
	1	0752566F	FORD FUEL FILLER MTG PLATE

Section V - PARTS

49" ALUMINUM SERIES 10 TOOLBOX - 378000 TOOLBOX/FUEL FILL MOUNTING BRACKETS

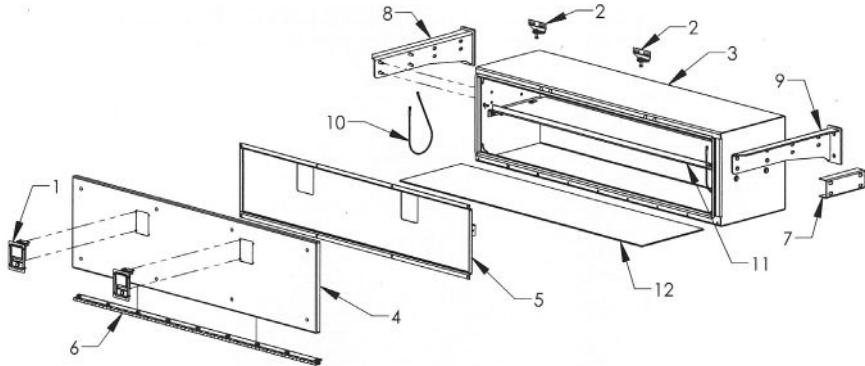


NOTE: 378000 DOES NOT INCLUDE MOUNTING BRACKETS

REF	QTY	PART #	DESCRIPTION
1	1	54658	ROTARY PADDLE LATCH
	1	54657	GASKET FOR PADDLE LATCH
	4	81111	#8-32 x 1/2 STAINLESS ONE WAY SCREW
	4	83111	#8-32 STAINLESS KEPT NUT
2	1	376182	STRIKER PIN MOUNTING PLATE
	1	54659	STRIKER PIN
	2	81115	STAINLESS CARRIAGE BOLT 5/16-18 x 3/4
	4	82110	FLAT WASHER 5/16
	2	82130	LOCK WASHER 5/16
	2	83110	NUT 5/16-18
	1	83125	NYLON LOCK NUT 5/16-18
3	1	377100W	BOX WELDMENT
4	1	37740	DOOR ASSEMBLY
	1	37741	DOOR WELDMENT
	6	81100	STAINLESS CARRIAGE BOLT 1/4-20 x 3/4
	6	83105	NYLON LOCK NUT 1/4-20
5	1	37744	DOOR REINFORCEMENT
6	1	37735	HINGE
	2	811014	SS SOCKET BUTTON HEAD BOLT 1/4-20 x 7/8
	3	811012	SS SOCKET BUTTON HEAD BOLT 1/4-20 x 3/4
	5	811010	SS SOCKET BUTTON HEAD BOLT 1/4-20 x 5/8
	10	83105	NYLON LOCK NUT 1/4-20
7	1	37760	TANDEM BOX SPACER CHANNEL (OPTIONAL)
8	1	37855L	TANK AND TOOLBOX MT BRACKET - LH
9	1	37855R	TANK AND TOOLBOX MT BRACKET - RH
10	2	5A221	LANYARD-21 INCH
11	1	37670	SHELF
12	1	03002300	TOOLBOX MAT 49"
13	1	0811136L	FORD/DODGE TOOLBOX MTG BRKT - LH
14	1	0811136R	FORD/DODGE TOOLBOX MTG BRKT - RH
15	1	0752566	DODGE FUEL FILLER MTG PLATE
	1	0752566F	FORD FUEL FILLER MTG PLATE

Section V - PARTS

65" ALUMINUM TOOLBOX - 379000

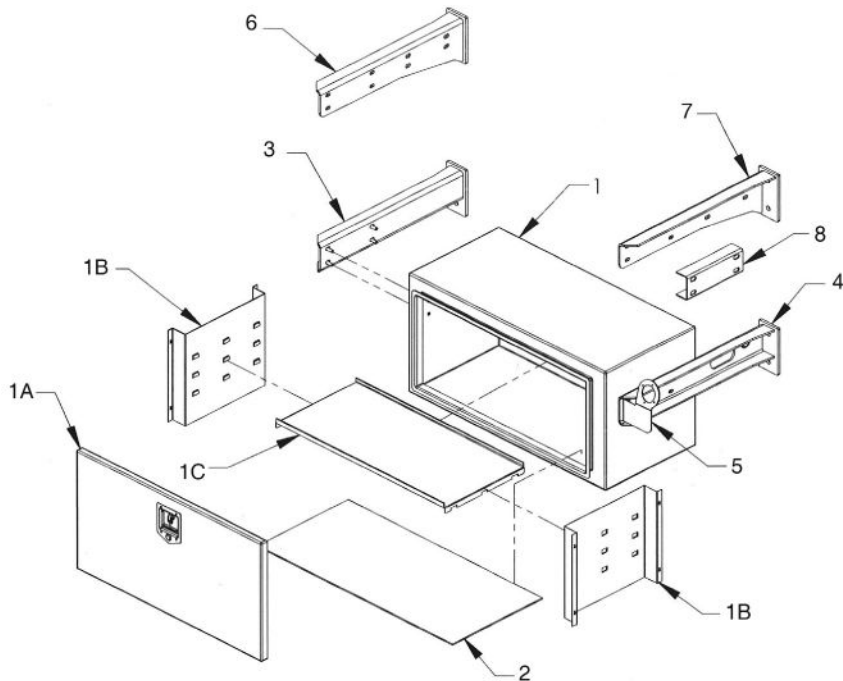


NOTE: 379000 DOES NOT INCLUDE MOUNTING BRACKETS

REF	PART #	DESCRIPTION	QPU
1	54658	ROTARY PADDLE LATCH	1
	54657	GASKET FOR PADDLE LATCH	1
	81111	#8-32 x 1/2 STAINLESS ONE WAY SCREW	4
	83111	#8-32 STAINLESS KEPT NUT	4
2	376182	STRIKER PIN MOUNTING PLATE	1
	54659	STRIKER PIN	1
	81115	STAINLESS CARRIAGE BOLT 5/16-18 x 3/4	2
	82110	FLAT WASHER 5/16	4
	82130	LOCK WASHER 5/16	2
	83110	NUT 5/16-18	2
	83125	NYLON LOCK NUT 5/16-18	1
	3	379100W	BOX WELDMENT
4	37941	DOOR WELDMENT	1
	37940	DOOR ASSEMBLY	1
	81100	STAINLESS CARRIAGE BOLT 1/4-20 x 3/4	6
	83105	NYLON LOCK NUT 1/4-20	6
5	37944	DOOR REINFORCEMENT	1
6	37935	HINGE	1
	811014	SS SOCKET BUTTON HEAD BOLT 1/4-20 x 7/8	2
	811012	SS SOCKET BUTTON HEAD BOLT 1/4-20 x 3/4	3
	811010	SS SOCKET BUTTON HEAD BOLT 1/4-20 x 5/8	5
	83105	NYLON LOCK NUT 1/4-20	10
	7	37760	TANDEM BOX SPACER CHANNEL (OPTIONAL)
8	37855L	TANK AND TOOLBOX MT BRACKET - LH	1
9	37855R	TANK AND TOOLBOX MT BRACKET - RH	1
10	5A221	LANYARD-21 INCH	2
11	37970	SHELF	1
12	03002302	TOOLBOX MAT 65"	1

Section V - PARTS

36" STEEL TOOLBOX SERIES 10 FUEL FILL MOUNTING BRACKETS

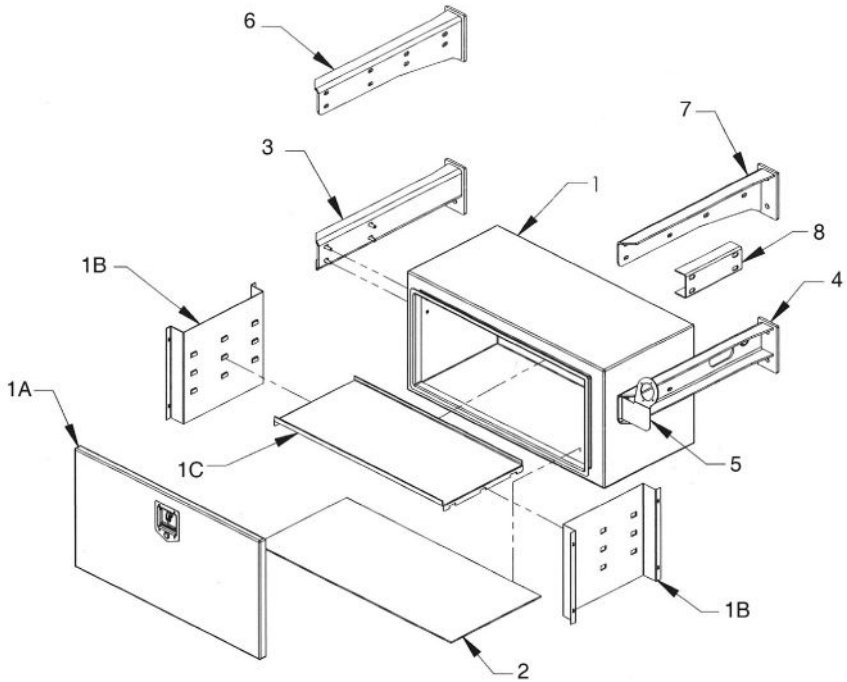


NOTE: 174016021 DOES NOT INCLUDE MOUNTING BRACKETS

REF	QTY	PART #	DESCRIPTION
1	1	174016021	STEEL TOOLBOX 36"
1A	1	174016021D	DOOR ASSEMBLY
1B	2	07002918	STEEL TOOLBOX INSIDE PANEL
1C	1	07002919-36	STEEL TOOLBOX 36" SHELF
2	1	0308801	TOOLBOX MAT 36"
3	1	0811136L	FORD/DODGE TOOLBOX MTG BRKT - LH
4	1	0811136R	FORD/DODGE TOOLBOX MTG BRKT - RH
5	1	0752566	DODGE FUEL FILLER MTG PLATE
	1	0752566F	FORD FUEL FILLER MTG PLATE
6	1	37855L	TOOLBOX AND OIL TANK MTG BRKT - LH
7	1	37855R	TOOLBOX AND OIL TANK MTG BRKT - RH
8	1	37760	TANDEM BOX SPACER CHANNEL (OPT)

Section V - PARTS

48" STEEL TOOLBOX SERIES 10 FUEL FILL MOUNTING BRACKETS

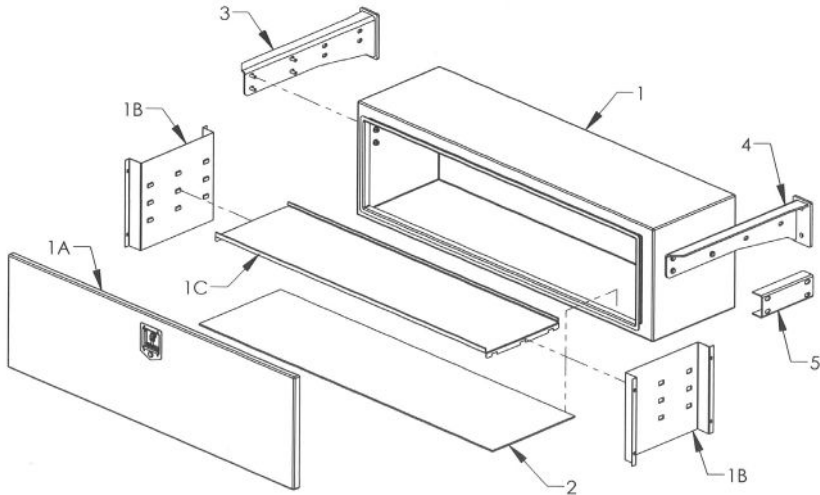


NOTE: 174016022 DOES NOT INCLUDE MOUNTING BRACKETS

REF	QTY	PART #	DESCRIPTION
1	1	174016022	STEEL TOOLBOX 48"
1A	1	174016022D	DOOR ASSEMBLY
1B	1	07002918	STEEL TOOLBOX INSIDE PANEL
1C	2	07002919-48	STEEL TOOLBOX 48" SHELF
2	1	0308758	TOOLBOX MAT 48"
3	1	0811136L	FORD/DODGE TOOLBOX MTG BRKT - LH
4	1	0811136R	FORD/DODGE TOOLBOX MTG BRKT - RH
5	1	0752566	DODGE FUEL FILLER MTG PLATE
	1	0752566F	FORD FUEL FILLER MTG PLATE
6	1	37855L	TOOLBOX AND OIL TANK MTG BRKT - LH
7	1	37855R	TOOLBOX AND OIL TANK MTG BRKT - RH
8	1	37760	TANDEM BOX SPACER CHANNEL (OPT)

Section V - PARTS

60" STEEL TOOLBOX - 174016023

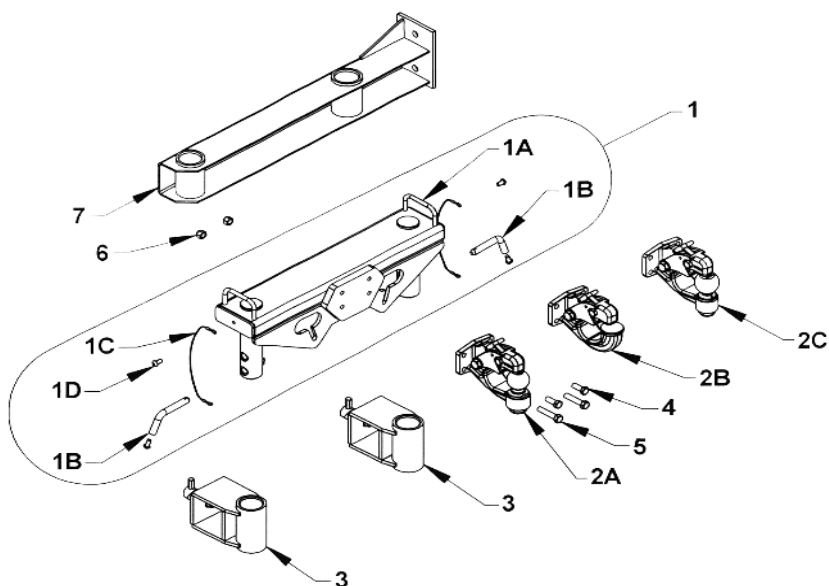


NOTE: 174016023 DOES NOT INCLUDE MOUNTING BRACKETS

REF	PART #	DESCRIPTION	QPU
1	174016023	STEEL TOOLBOX 60"	1
1A	174016023D	DOOR ASSEMBLY	1
1B	07002918	STEEL TOOLBOX INSIDE PANEL	2
1C	07002919-60	STEEL TOOLBOX 60" SHELF	1
2	0308837	TOOLBOX MAT 60"	1
3	37855L	TOOLBOX AND OIL TANK MTG BRACKET-LH	1
4	37855R	TOOLBOX AND OIL TANK MTG BRACKET-RH	1
5	37760	TANDEM BOX SPACER CHANNEL (OPT)	1

Section V - PARTS

PINTLE ATTACHMENT GROUP



REF	PART NO.	QTY	DESCRIPTION
1	66370G	1	PINTLE ATTACHMENT
1A	66370	1	PINTLE ATTACHMENT WELDMENT
1B	66378	2	RETAINING PIN
1C	65292	2	LANYARD
1D	0403004	4	BOLT BHCS 3/8-16 x 3/4
2A	174017159	1	TOW BALL PINTLE HITCH - 2 IN. BALL
2B	174017156	1	PINTLE HOOK
2C	174017172	1	TOW BALL PINTLE HITCH - 2-5/16 IN. BALL
3	65460	1	FORK HOLDER - 3.5 x 3.5
4	04000005	2	BOLT HHCS 1/2-13 x 1.25 GRADE 8 SECURE WITH LOCTITE
5	0403056	2	BOLT HHCS 1/2-13 x 2-1/2 GRADE 8
6	0400408	2	NUT, NYLOK 1/2-13
7	66385	1	PINTLE ATTACHMENT STORAGE BRACKET